



YAMAHA

GENUINE

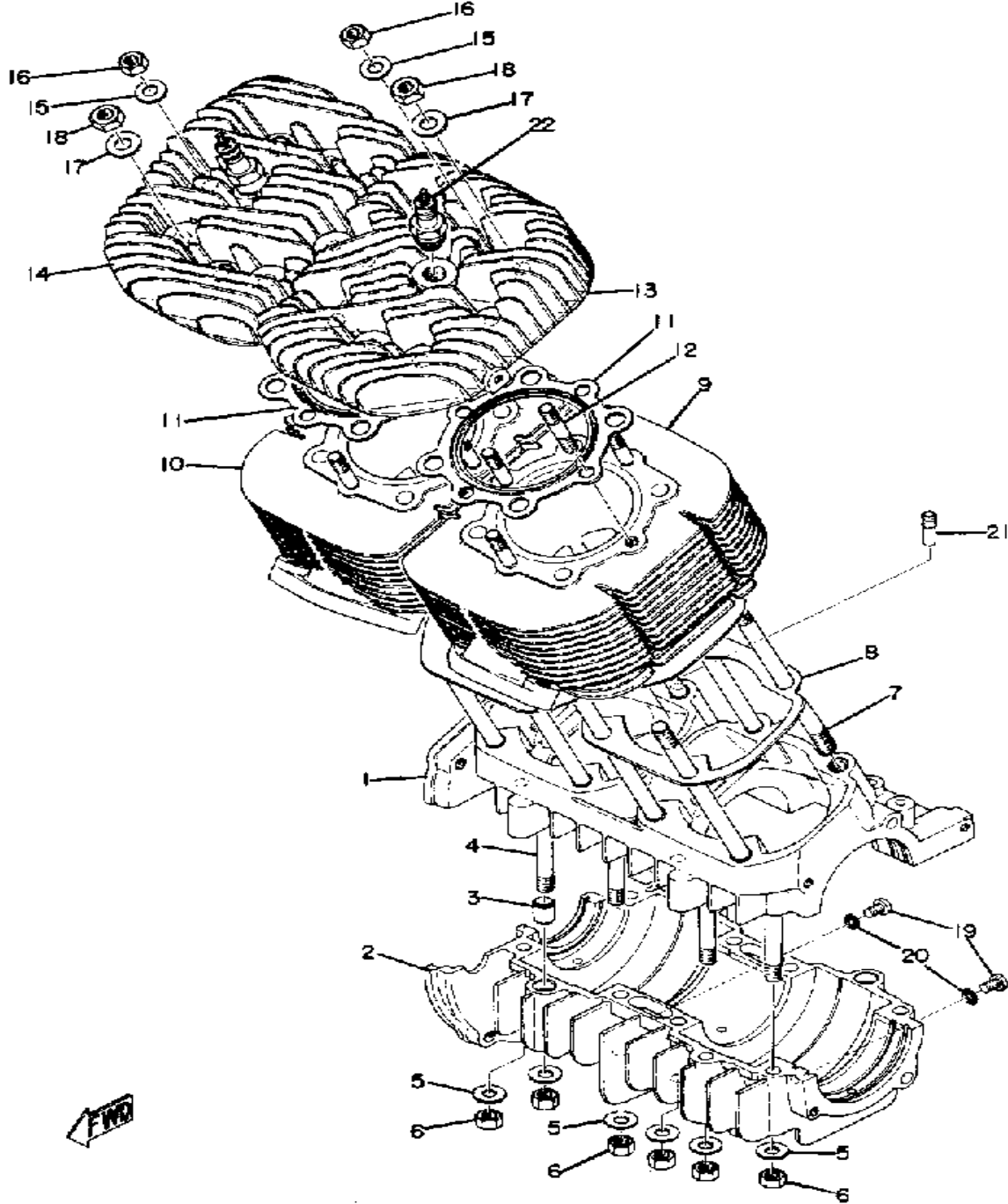
PARTS CATALOGUE

SNOWMOBILE

Property of www.SmallEngineDiscount.com - Not for Resale

A1

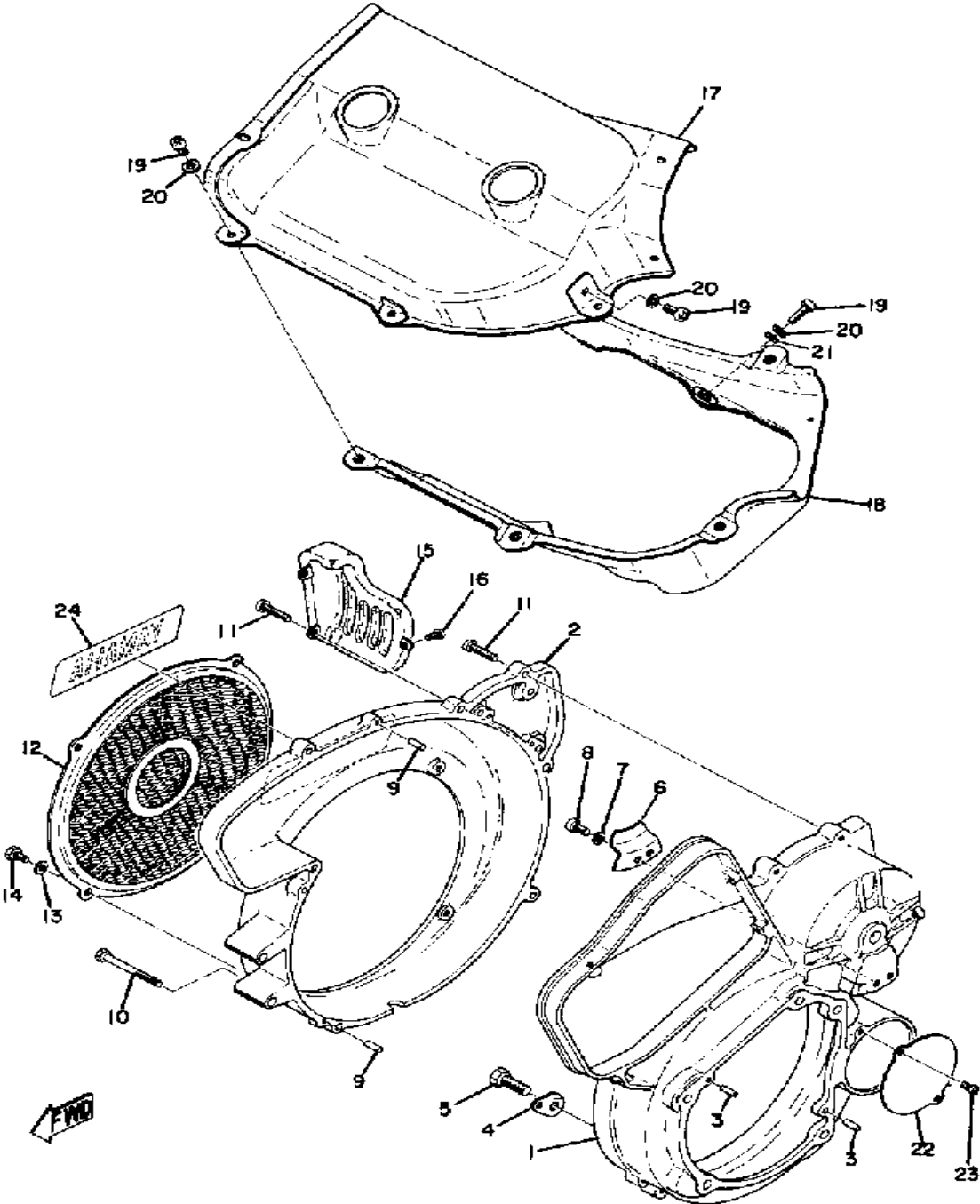
CRANKCASE-CYLINDER



Ref. No.	Part Number	Description	Qty	Remarks
3	99510-12016-00	PIN, DOWEL	2	
4	90116-08061-00	BOLT, STUD (834-15192-00) ..	12	
5	92990-08200-00	WASHER, PLAIN	12	
6	95333-08600-00	NUT	12	
7	90116-10094-00	BOLT, STUD (90116-10093) ...	8	
8	(834-11351-00-00)	GASKET, CYLINDER	2	
9	(847-11311-00-00)	CYLINDER 1	1	
10	(847-11321-00-00)	CYLINDER 2	1	
11	834-11181-00-00	GASKET, CYLINDER HEAD 1 .	2	
12	(90116-08049-00)	BOLT, STUD	8	
13	(847-11111-00-00)	HEAD, CYLINDER 1	1	
14	(847-11121-00-00)	HEAD, CYLINDER 2	1	
15	92990-10200-00	WASHER, PLAIN	8	
16	95303-10600-00	NUT (95301-10600)	8	
17	92990-08200-00	WASHER, PLAIN	8	
18	95333-08600-00	NUT	8	
19	98580-06010-00	SCREW, PAN HEAD (92503-06010)	2	
20	90430-06017-00	GASKET	2	
21	J38-11116-00-00	JOINT, BREATHER	1	
22	NGK-B7EV0-00-00	NGK B7EV 4PK	2	
-1	(834-15100-01-00)	CRANKCASE ASSEMBLY	1	

Property of www.SmallEngineDiscount.com - Not for Resale

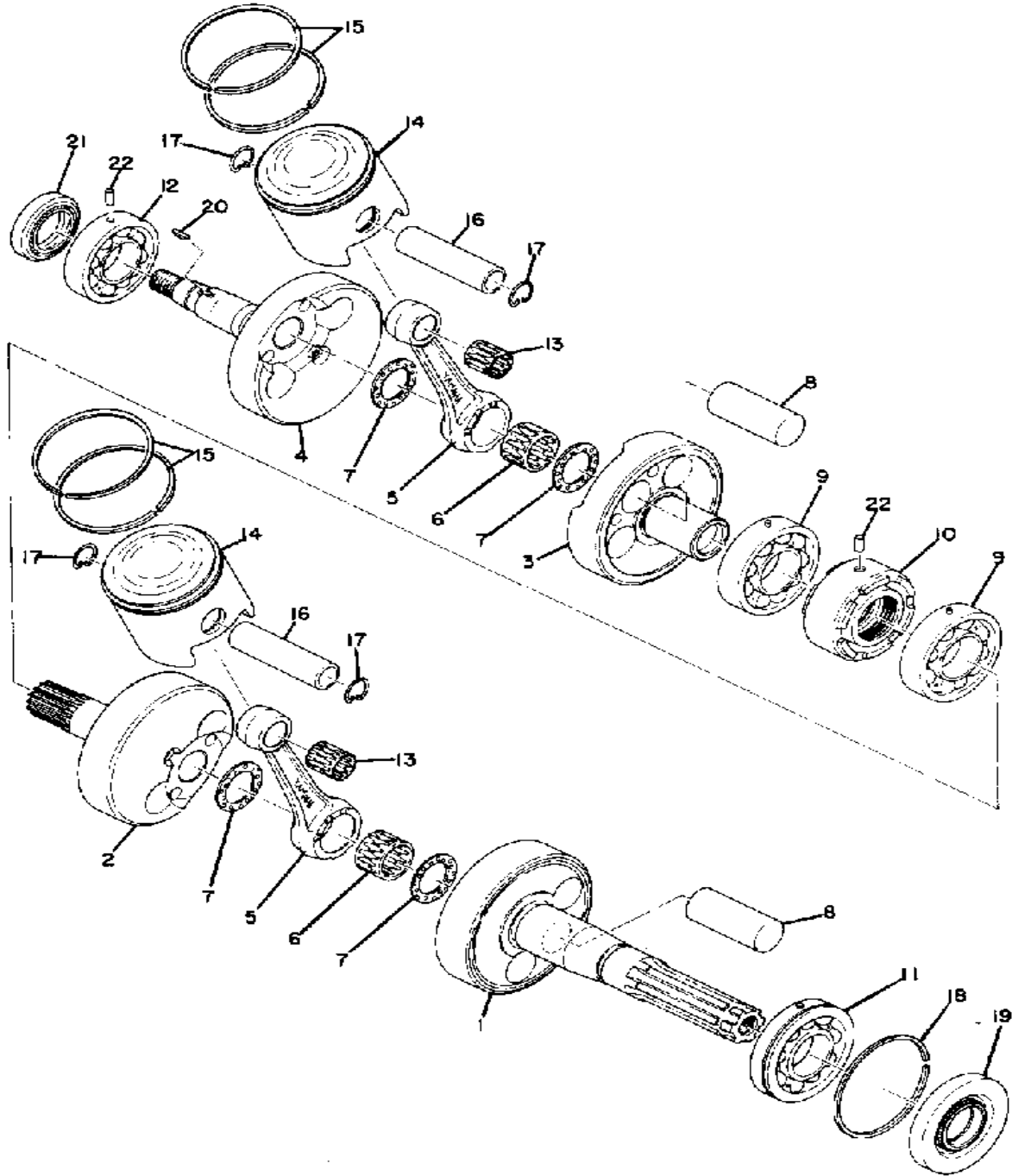
FAN CASE-AIR SHROUD



Ref. No.	Part Number	Description	Qty	Remarks
1	847-12621-01-00	CASE, FAN	1	
2	(847-12622-00-00)	CASE, FAN 2	1	
3	93604-14012-00	PIN, DOWEL	2	
4	(90215-08070-00)	WASHER, LOCK	5	
5	97013-08025-00	BOLT	5	
6	847-15794-00-00	STOPPER	1	
7	92906-06100-00	WASHER, SPRING	2	
8	98516-06012-00	SCREW, PAN HEAD	2	
9	93604-14012-00	PIN, DOWEL	2	
10	(97306-06060-00)	BOLT, HEXAGON	1	
11	98506-06025-00	SCREW, PAN HEAD	6	
12	(834-12617-01-00)	COVER, MAGNETO	1	
13	92906-06100-00	WASHER, SPRING	4	
14	97026-06010-00	BOLT (97006-06010-00)	4	
15	(835-12626-00-00)	PAD, FAN CASE	1	
16	98506-05010-00	SCREW, PAN HEAD	1	
17	(847-12651-00-00)	AIR SHROUD, CYLINDER 1	1	
18	847-12652-00-00	AIR SHROUD, CYLINDER 2	1	
19	98506-06014-00	SCREW, PAN HEAD (92506-06014)	11	
20	92906-06100-00	WASHER, SPRING	11	
21	92906-06200-00	WASHER	6	
22	835-12633-00-00	NO LONGER AVAILABLE	1	
23	98506-05010-00	SCREW, PAN HEAD	2	
24	(838-12629-00-00)	EMBLEM	1	

Property of www.SmallEngineDiscount.com - Not for Resale

CRANK-PISTON

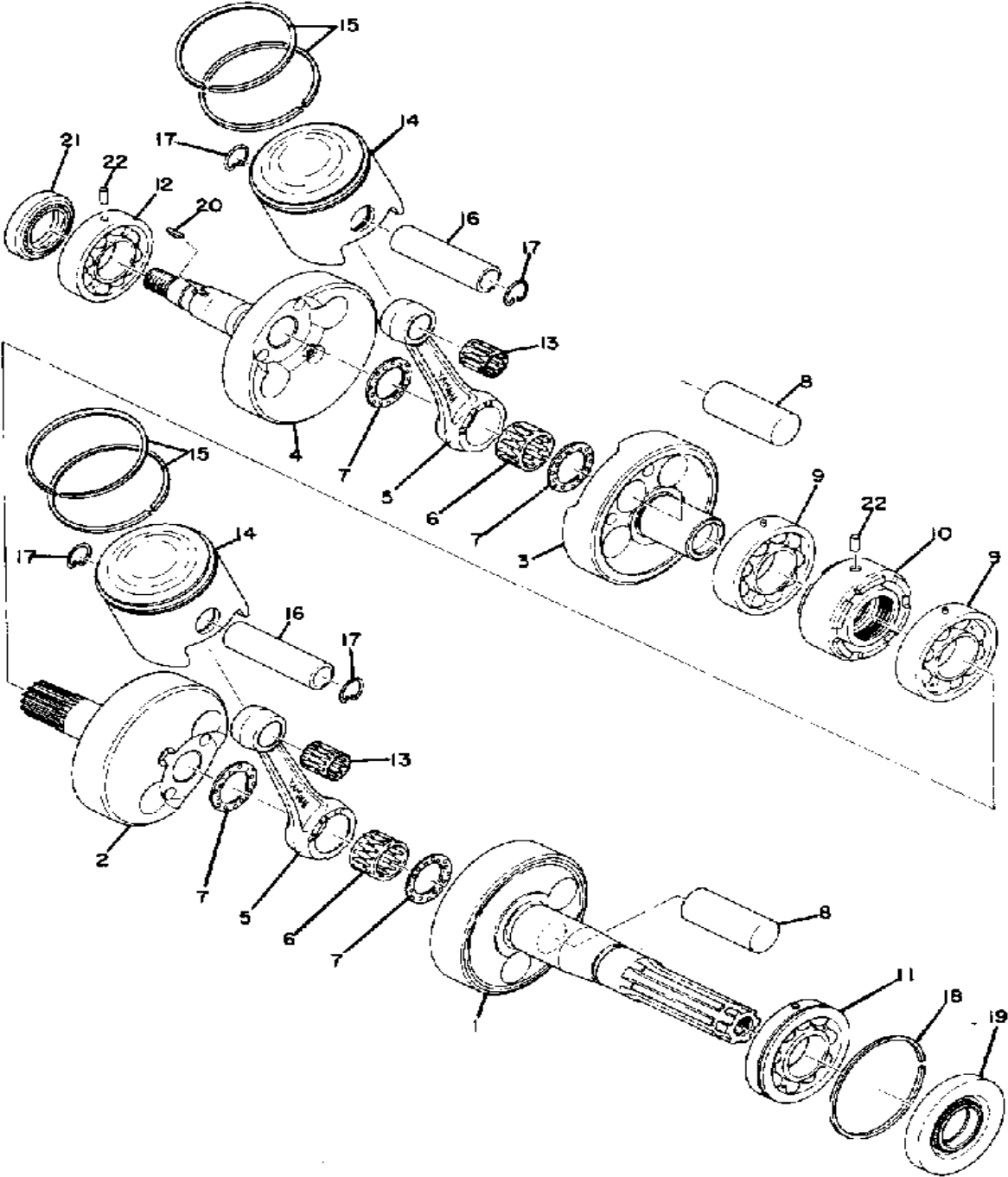


Ref. No.	Part Number	Description	Qty	Remarks
1	(835-11412-00-00)	CRANK 1	1	
2	(834-11422-00-00)	CRANK 2	1	
3	(834-11432-00-00)	CRANK 3	1	
4	(834-11442-00-00)	CRANK 4	1	
5	431-11651-00-00	. ROD, CONNECTING	2	
6	93310-425N4-00	. BEARING, CYLINDER.# 0 ...	2	
7	90209-25085-00	. WASHER	4	
8	(834-11681-00-00)	PIN, CRANK 1	2	
9	93306-20701-00	. BEARING (B6207 C3 SPECIAL)	2	
10	(834-11515-00-00)	SEAL, LABYRINTH 1	1	
11	(93306-30701-00)	BEARING	1	
12	93306-20633-00	. BEARING	1	
13	93310-218A6-00	BEARING	2	
14	(834-11636-01-00)	PISTON 2 O/S 0. 0	2	ALTERNATE PARTS
	834-11631-01-46	PISTON STD (76.46MM STD) ..	2	
	834-11635-01-00	PISTON 1 O/S 0.25 (76.75MM 1ST O.S)	2	ALTERNATE PARTS
15	(834-11610-00-00)	PISTON RINGSET STD	2	
	834-11610-10-00	PISTON RINGSET 1ST (1ST O.S)	2	ALTERNATE PARTS
	834-11610-20-00	PISTON RINGSET 2ND (2ND O.S)	2	ALTERNATE PARTS
16	275-11633-00-00	PIN, PISTON (1W4-11633-00) ..	2	
17	93450-20026-00	CIRCLIP	4	
18	93440-80023-00	CIRCLIP	1	
19	(93103-35068-00)	OIL SEAL, SW-TYPE	1	
20	90280-16053-00	KEY, WOODRUFF	1	
21	93103-32157-00	UNAVAILABLE IN PRICE BOOK (93103-32055)	1	

CONTINUED ON NEXT FRAME ➤

Property of www.SmallEngineDiscount.com - Not for Resale

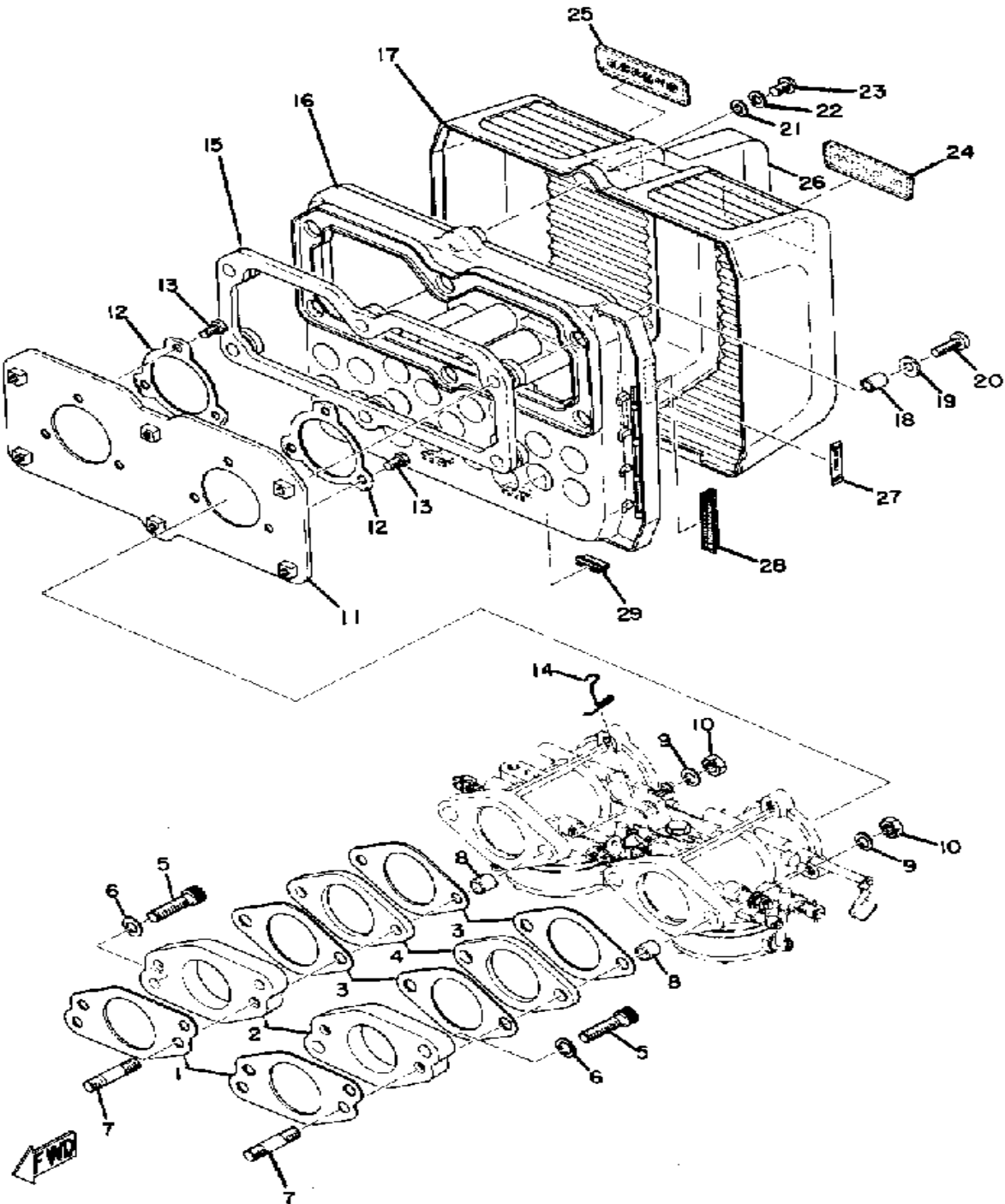
CRANK-PISTON



Ref. No.	Part Number	Description	Qty	Remarks
22	93604-12037-00	PIN, DOWEL	2	
-1	835-11400-00-00	CRANKSHAFT ASSEMBLY ...	1	

Property of www.SmallEngineDiscount.com - Not for Resale

INTAKE

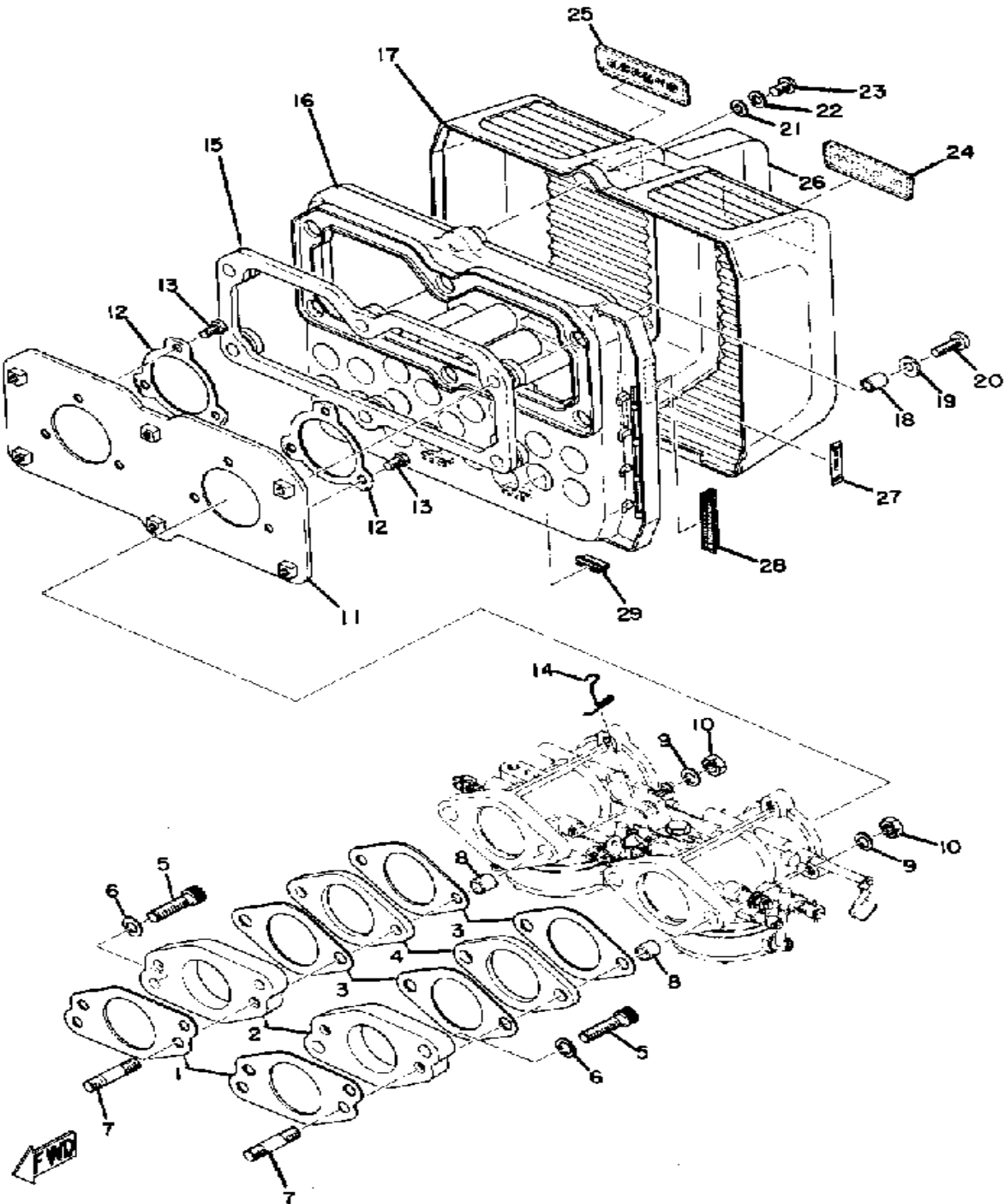


Ref. No.	Part Number	Description	Qty	Remarks
1	835-13556-00-00	GASKET, MANIFOLD	2	
2	(835-13565-00-00)	JOINT, CARBURETOR	2	
3	812-13556-70-00	GASKET, MANIFOLD	4	
4	(835-13585-00-00)	JOINT, CARBURETOR	2	
5	91316-08030-00	BOLT, SOCKET HEAD	4	
6	92990-08100-00	WASHER	4	
7	(90116-08045-00)	BOLT, STUD	4	
8	(810-13576-00-00)	SPACER	4	
9	92990-08100-00	WASHER	4	
10	95303-08700-00	NUT	4	
11	(847-14477-00-00)	PLATE	1	
12	90209-45075-00	WASHER, SPEC'L SHAP (847-14475-00)	2	
13	97013-06012-00	BOLT	6	
14	822-41222-00-00	CLAMP, THROTTLE	1	
15	(844-14492-00-00)	DAMPER	1	
16	(844-14431-00-00)	SILENCER, INTAKE 1	1	
17	(844-14441-00-00)	SILENCER, INTAKE 2	1	
18	90387-065L7-00	COLLAR (51L) (214-21633-00)	6	
19	90201-06067-00	WASHER, PLATE	6	
20	98580-06020-00	SCREW	6	
21	92906-06200-00	WASHER	1	
22	92906-06100-00	WASHER, SPRING	1	
23	98906-06010-00	SCREW, BIND	1	
24	(844-77351-00-00)	EMBLEM 1	1	
25	(847-77451-00-00)	EMBLEM 1	1	
26	(844-77359-00-00)	EMBLEM 9	1	
27	(847-77455-00-00)	INDICATOR, CHOKE	1	
28	(844-14425-00-00)	DAMPER 1	6	

CONTINUED ON NEXT FRAME ►

Property of www.SmallEngineDiscount.com - Not for Resale

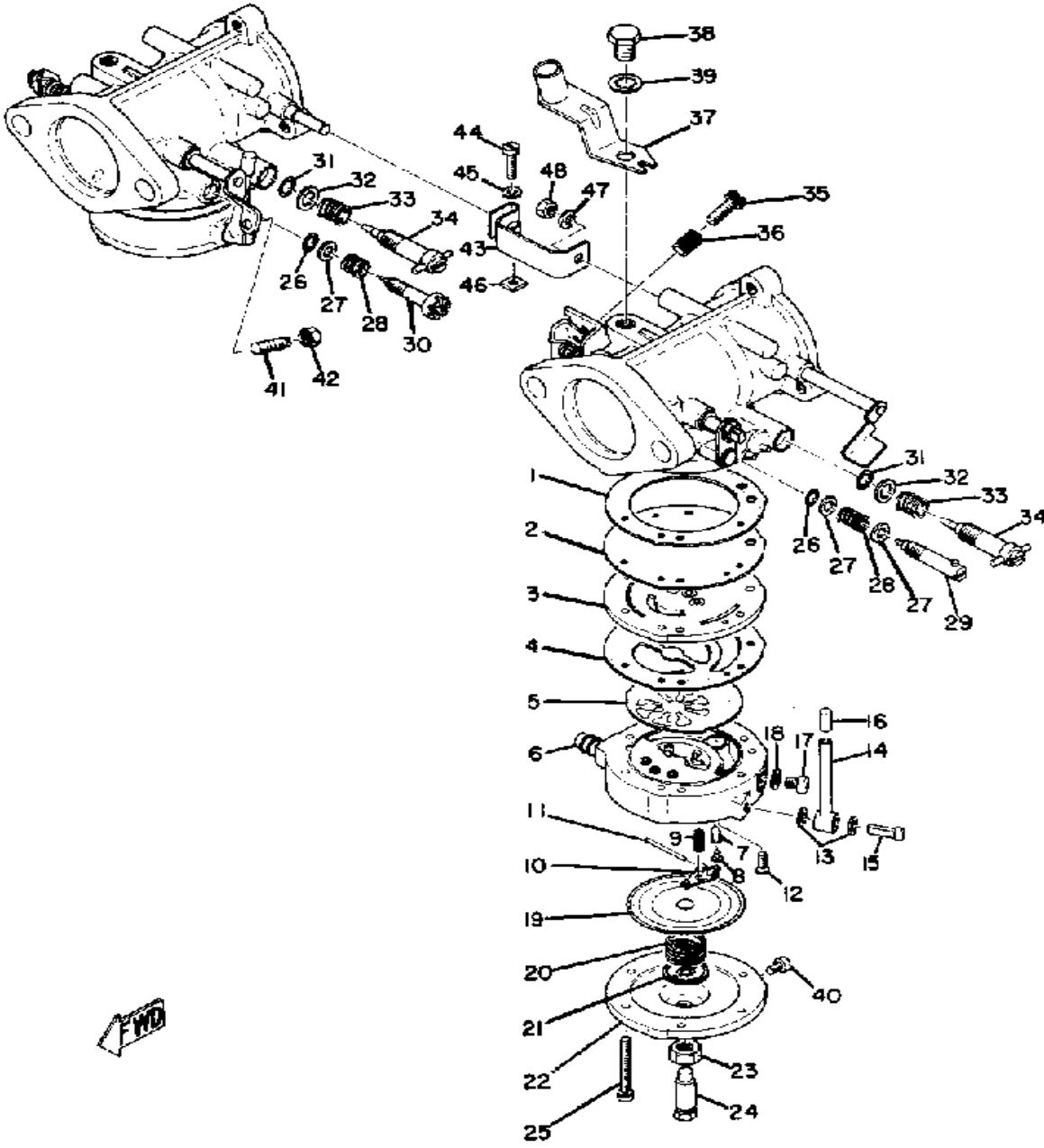
INTAKE



Ref. No.	Part Number	Description	Qty	Remarks
29	(844-14426-00-00)	DAMPER 2	2	

Property of www.SmallEngineDiscount.com - Not for Resale

CARBURETOR

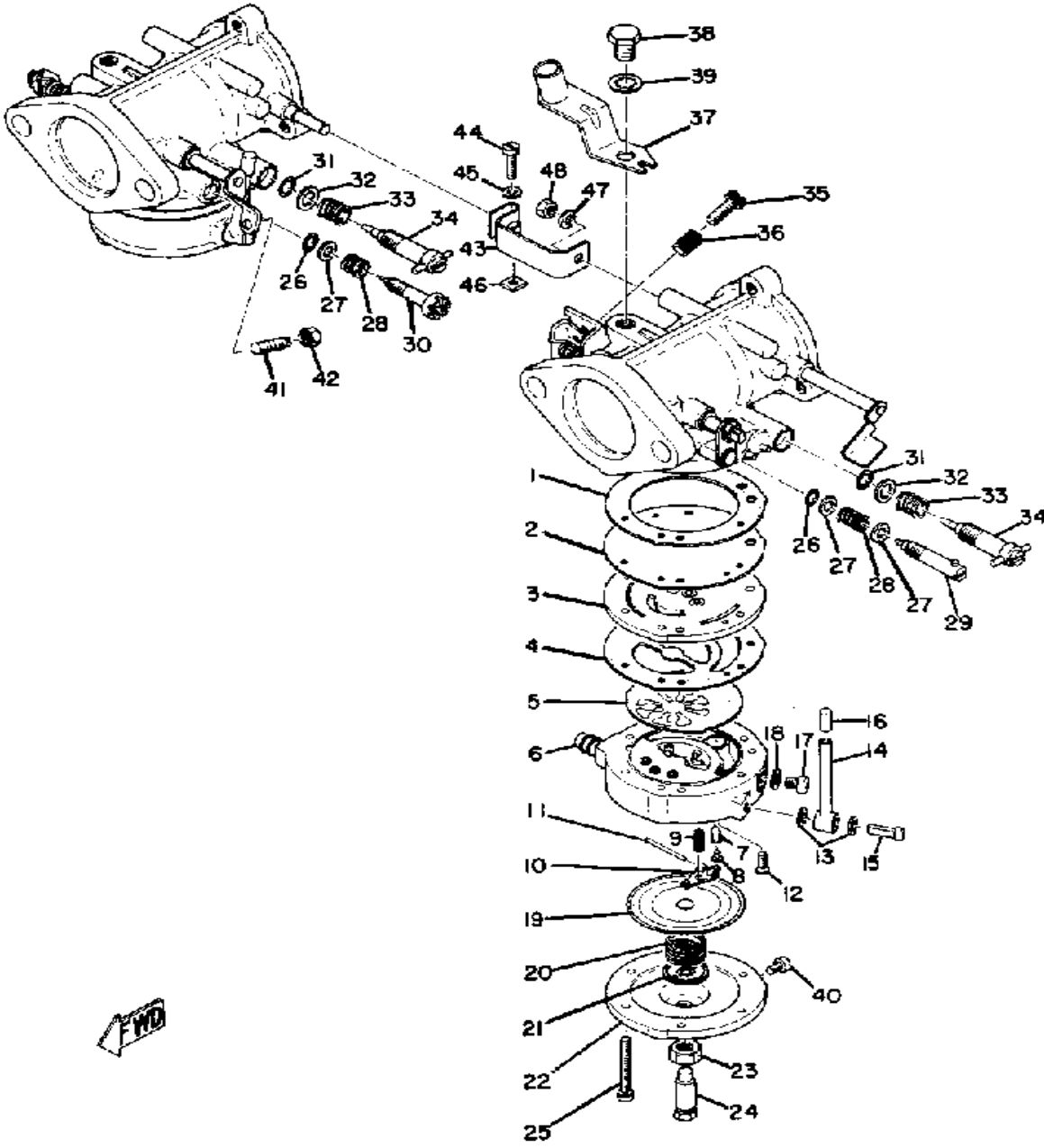


Ref. No.	Part Number	Description	Qty	Remarks
1	838-14536-00-00	. GASKET	2	
2	834-14541-00-00	. DIAPHRAGM, PUMP	2	
3	(838-14542-00-00)	BODY, PUMP 1	2	
4	834-14553-00-00	. GASKET	2	
5	806-14552-01-00	. VALVE, CHECK	2	
6	(847-14543-00-00)	BODY, PUMP 2	2	
7	838-14546-00-00	. VALVE, NEEDLE	2	
8	676-14186-00-00	. PIN, FLOAT	2	
9	810-14556-00-00	. SPRING	2	
10	(810-14547-00-00)	ARM, FLOAT	2	
11	(806-14548-00-00)	PIN, FLOAT ARM	2	
12	98702-03008-00	. SCREW, FLAT HEAD	2	
13	806-14559-00-00	. WASHER	4	
14	810-14197-02-00	. PIPE, AIRVENT	2	
15	8A1-14592-00-00	. SCREW	2	
16	810-24462-01-00	. CAP, BLIND	2	
17	(806-14567-01-00)	SCREW	2	
18	810-14597-00-00	. WASHER	2	
19	810-14545-00-00	. DIAPHRAGM	2	
20	(810-14555-00-00)	SPRING	2	
21	(810-14136-00-00)	SEAT, SPRING	2	
22	(810-14544-00-00)	BODY, PUMP 3	2	
23	95303-08700-00	. NUT	2	
24	824-14565-00-00	. SCREW, STOP	2	
25	(824-14567-00-00)	SCREW	12	
26	824-14563-00-00	. O-RING	2	
27	838-14596-00-00	. WASHER	3	
28	(824-14531-00-00)	SPRING, AJST SCREW	2	
29	(839-14522-00-00)	SCREW, ADJUST	1	

CONTINUED ON NEXT FRAME ➤

Property of www.SmallEngineDiscount.com - Not for Resale

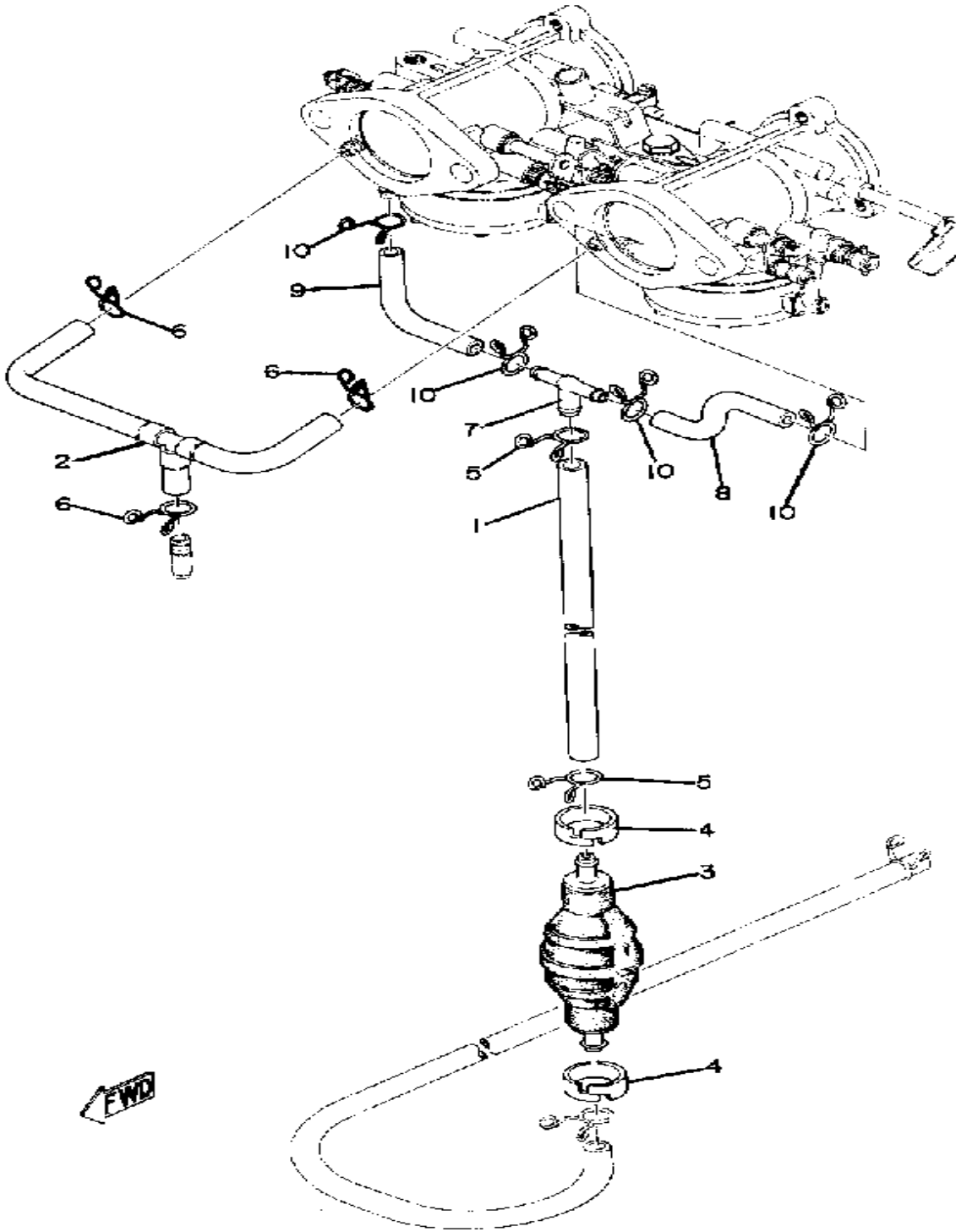
CARBURETOR



Ref. No.	Part Number	Description	Qty	Remarks
30	(847-14522-00-00)	SCREW, ADJUST	1	
31	824-14564-00-00	. O-RING	2	
32	838-14597-00-00	. WASHER	2	
33	(824-14533-00-00)	SPRING, AJST SCREW	2	
34	828-14521-00-00	. SCREW, MAIN ADJUSTER	2	
35	(810-14523-00-00)	SCREW, STOP	1	
36	(806-14533-00-00)	SPRING, AJST SCREW	1	
37	(823-14571-00-00)	BRACKET, THROTTLE	1	
38	97313-08012-00	. BOLT	1	
39	92990-08100-00	. WASHER	1	
40	98511-04006-00	. SCREW, PAN HEAD (98501-04005)	1	ALTERNATE PARTS
41	(813-14591-00-00)	SCREW	1	
42	(806-14594-00-00)	NUT	1	
43	(806-14588-00-00)	CONNECTOR	1	
44	(844-14566-00-00)	SCREW, STOP	1	
45	92990-04200-00	. WASHER, PLAIN	1	
46	(806-14595-00-00)	NUT	1	
47	(806-14598-00-00)	WASHER	1	
48	92990-05100-00	. WASHER, SPRING	1	
-1	847-14501-00-00	CARBURETOR ASSEMBLY 1	1	
-2	(847-14502-00-00)	CARBURETOR ASSEMBLY 2	1	

Property of www.SmallEngineDiscount.com - Not for Resale

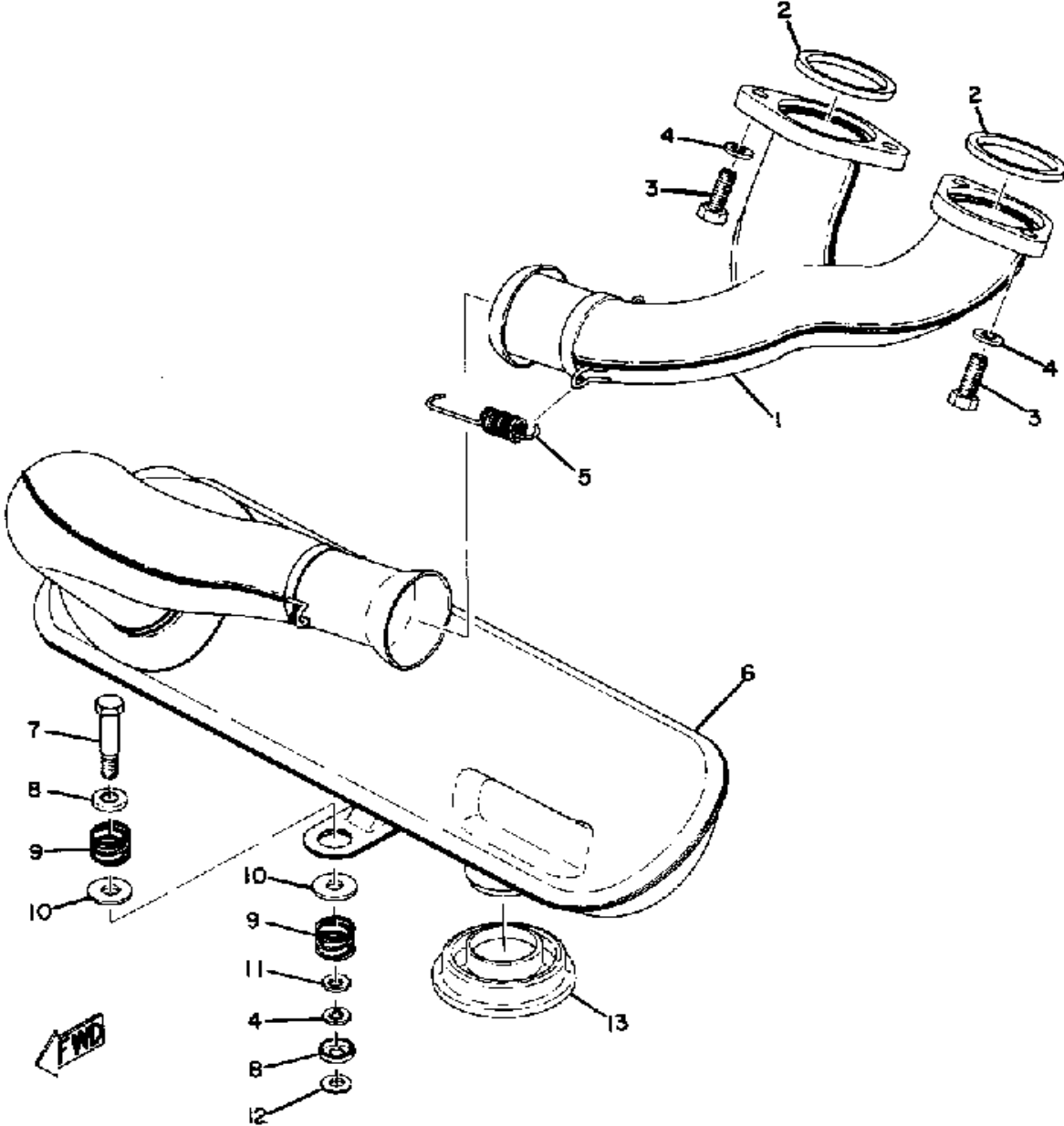
PIPING



Ref. No.	Part Number	Description	Qty	Remarks
1	(90446-11022-00)	HOSE	1	
2	(835-24315-01-00)	PIPE 5	1	
3	810-24360-00-00	PRIMER PUMP ASSEMBLY ...	1	
4	(601-24353-00-00)	BAND	2	
5	90467-11009-00	CLIP	2	
6	90467-09006-00	CLIP	3	
7	807-24376-00-00	PIPE, JOINT 1	1	
8	(813-24313-00-00)	PIPE 3	1	
9	(835-24317-00-00)	PIPE 7	1	
10	90467-09005-00	CLIP, SCISSOR	4	

Property of www.SmallEngineDiscount.com - Not for Resale

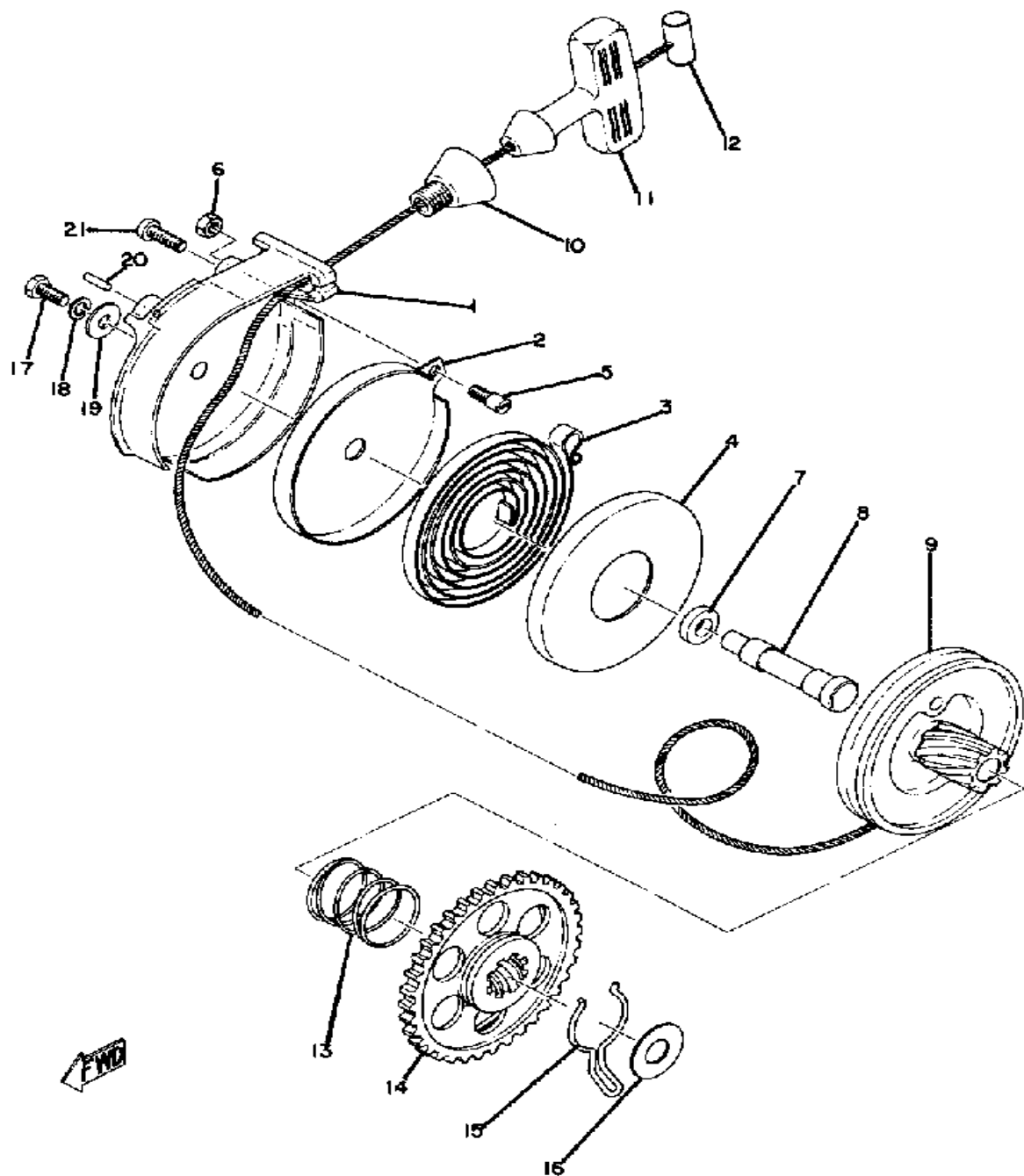
EXHAUST



Ref. No.	Part Number	Description	Qty	Remarks
1	(847-14610-00-00)	EXHAUST PIPE ASSEMBLY L .	1	
2	834-14613-00-00	GASKET, EXST PIPE	2	
3	806-14651-00-00	BOLT	4	
4	92990-08100-00	WASHER	6	
5	821-14773-00-00	SPRING, MUFFLER	2	
6	(847-14710-00-00)	MUFFLER ASSEMBLY L	1	
7	90109-08293-00	BOLT	2	
8	(812-14793-00-00)	PLATE, MUFFLER	4	
9	90501-18114-00	SPRING, COMPRESSION	4	
10	90201-10437-00	WASHER, PLATE	4	
11	(90560-08065-00)	SPACER	2	
12	(90201-07080-00)	WASHER, PLATE	2	
13	823-14718-00-00	PROTECTOR, MUFF 1	1	

Property of www.SmallEngineDiscount.com - Not for Resale

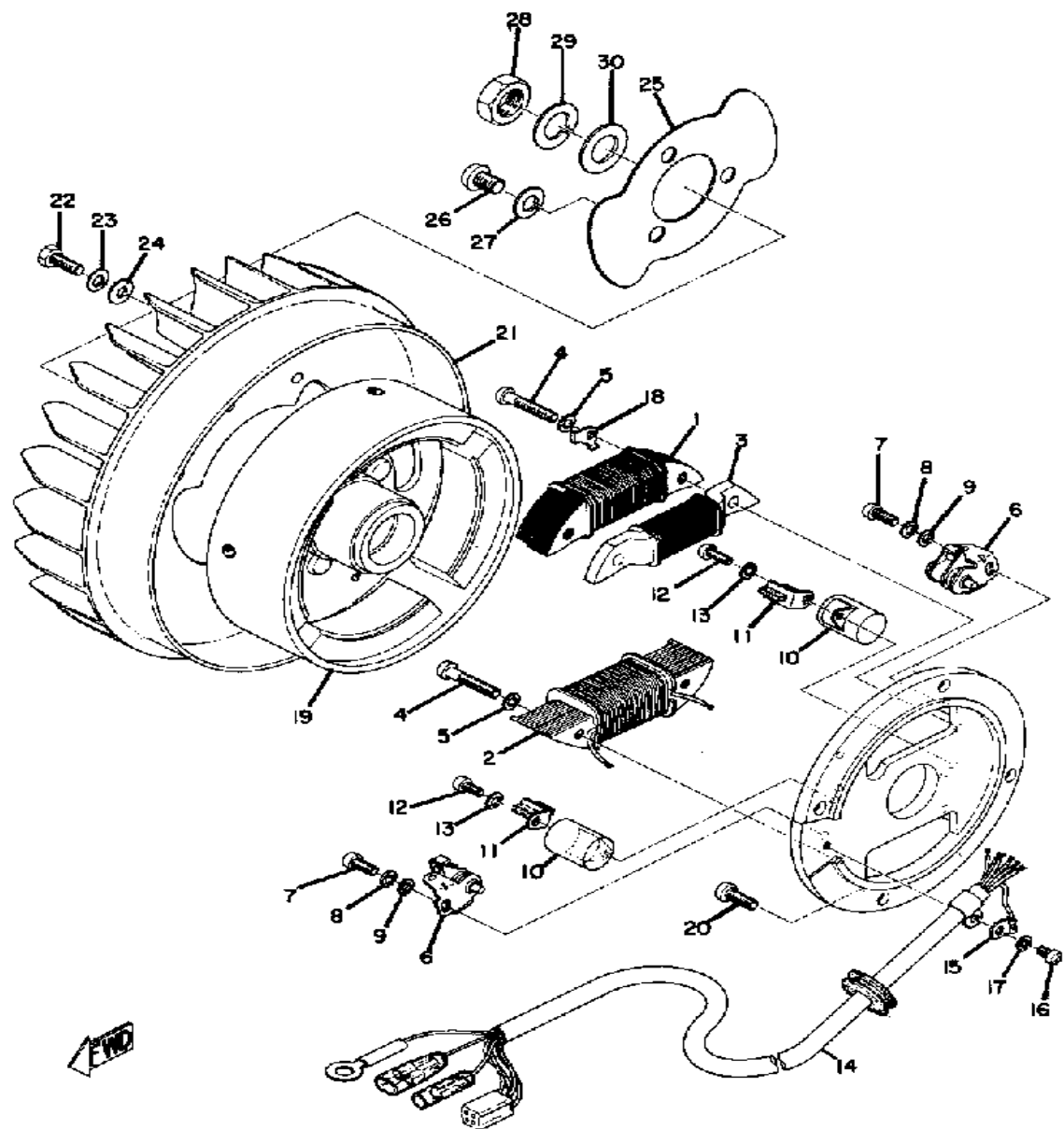
STARTER



Ref. No.	Part Number	Description	Qty	Remarks
1	(847-15711-00-00)	CASE, STARTER	1	
2	(834-15769-00-00)	CASE, SPRING R	1	
3	(90510-08003-00)	SPRING, SPIRAL	1	
4	(834-15766-00-00)	CASE, SPRING L	1	
5	90249-06043-00	. PIN, SPEC'L SHAPE (834-15727-00)	1	
6	95380-06600-00	. NUT	1	
7	90201-10134-00	. WASHER, PLATE (847-15719-00)	1	
8	(847-15717-00-00)	SHAFT, STARTER	1	
9	(847-15750-00-00)	STR HANDLE CMPLT	1	
10	(834-15758-00-00)	GUIDE, ROPE	1	
11	(847-15755-00-00)	HANDLE, STARTER	1	
12	(834-15756-00-00)	CONNECTOR 1	1	
13	90501-16108-00	. SPRING, COMPRESSION (847-15734-00)	1	
14	(847-15786-00-00)	GEAR, STARTER	1	
15	90468-35040-00	. CLIP (847-15799-00)	1	
16	90201-14224-00	. WASHER, PLATE (847-15739-00)	1	
17	97313-06016-00	. BOLT, HEXAGON	1	
18	92995-06100-00	. WASHER, SPRING	1	
19	90201-06M02-00	. WASHER, PLATE	1	
20	93604-14012-00	PIN, DOWEL	2	
21	98516-06020-00	SCREW, PAN HEAD	3	
-1	(847-15710-00-00)	STARTER ASSEMBLY	1	

Property of www.SmallEngineDiscount.com - Not for Resale

FLYWHEEL MAGNETO



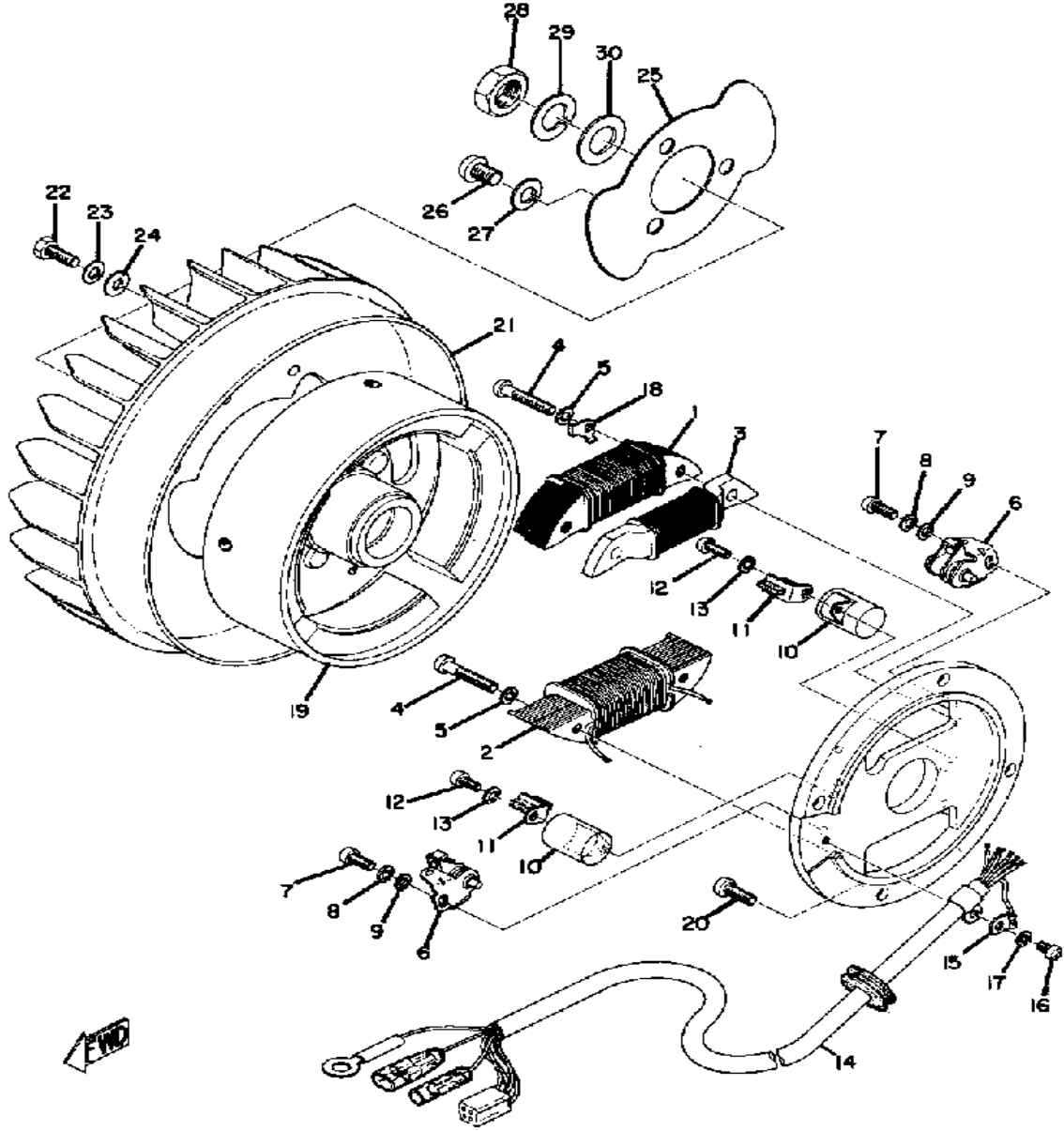
ELECTRICAL - CHARGING SYSTEM (MFR) (TYPE)	Flywheel magneto	
COIL RESISTANCE (PRIMARY) (SECONDARY)	9Ω	5.6KΩ
BREAKER POINT CAP/MINIMUM SPRING PRESSURE	.011"-.013"	600-800 grams
TIMING (B.T.D.C.)	2.6mm BTDC at full advance	

Ref. No.	Part Number	Description	Qty	Remarks
1	8A0-81312-20-00	. COIL, SOURCE	1	
2	(839-81313-20-00)	COIL, LIGHTING 1	1	
3	(838-81314-20-00)	COIL, LIGHTING 2	1	
4	802-81345-20-00	. SCREW, PAN HEAD	4	
5	92990-05100-00	. WASHER, SPRING	4	
6	806-81321-20-00	. CONTACT BRKR ASSEMBLY	2	
7	110-81346-21-00	. SCREW, PAN HEAD	2	
8	92901-04100-00	. WASHER, SPRING	2	
9	92990-04200-00	. WASHER, PLAIN	2	
10	802-81325-90-00	. CONDENSER 1	2	
11	116-81331-20-00	. LUBRICATOR	2	
12	110-81346-21-00	. SCREW, PAN HEAD	2	
13	92901-04100-00	. WASHER, SPRING	2	
14	(847-81315-20-00)	LEAD WIRE ASSEMBLY	1	
15	(104-81328-21-00)	CLAMP	1	
16	98580-04008-00	. SCREW, PAN HEAD	1	
17	92901-04100-00	. WASHER, SPRING	1	
18	(812-81332-20-00)	PLATE, TIMING	1	
19	(847-81350-20-00)	ROTOR ASSEMBLY	1	
20	98503-06014-00	SCREW, PAN HEAD (92502-06016)	4	
21	(834-12611-00-00)	FAN	1	
22	(90101-06004-00)	BOLT	6	
23	92995-06100-00	WASHER, SPRING	6	
24	90201-06M08-00	WASHER, PLATE	6	
25	(812-81362-00-00)	COVER, HOLE	1	
26	92501-08010-00	SCREW, PAN HEAD	3	
27	92990-08100-00	WASHER	3	
28	90170-16182-00	NUT	1	

CONTINUED ON NEXT FRAME ►

Property of www.SmallEngineDiscount.com - Not for Resale

FLYWHEEL MAGNETO

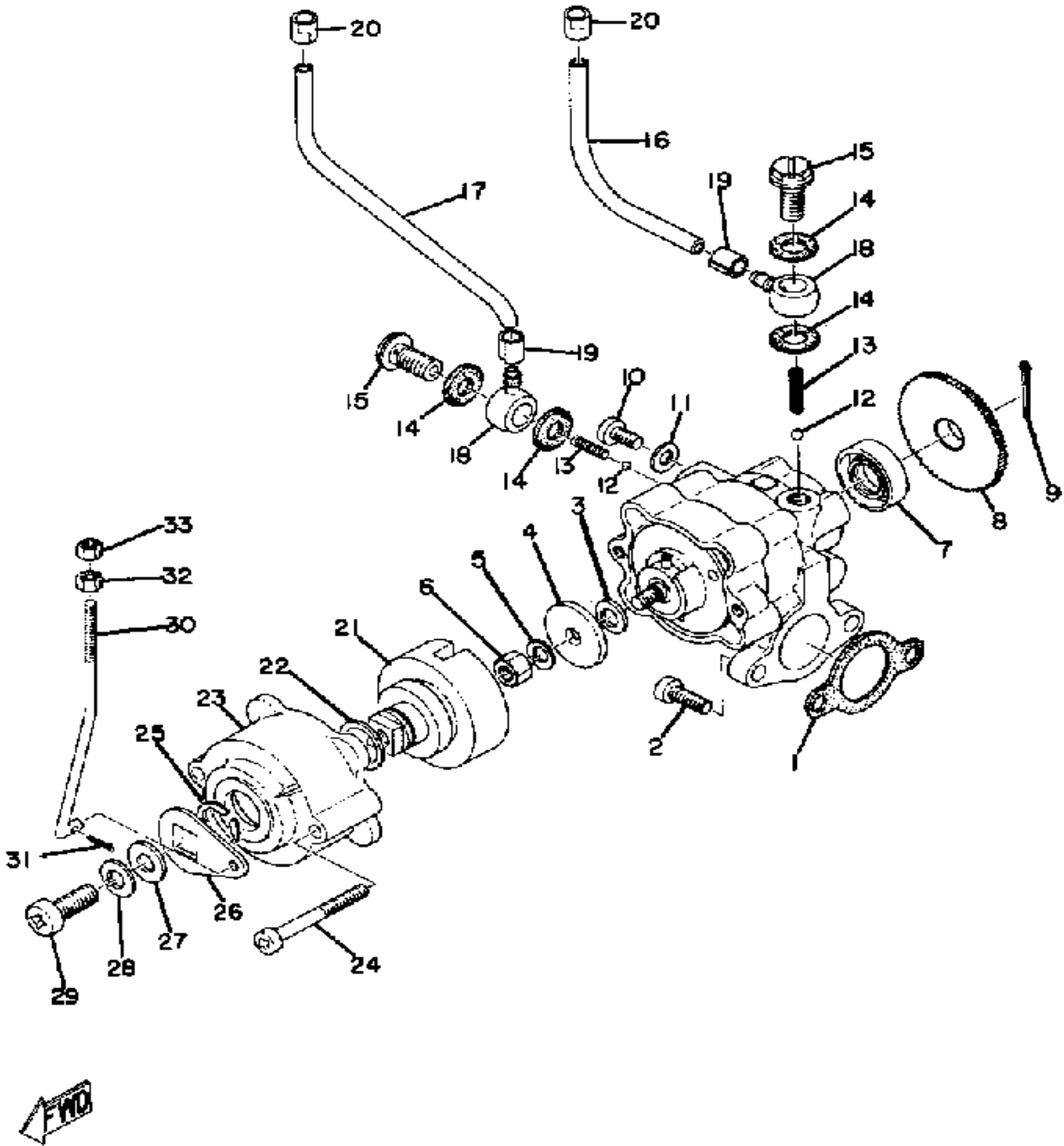


Ref. No.	Part Number	Description	Qty	Remarks
29	92901-16100-00	WASHER, SPRING	1	
30	90201-16247-00	WASHER, PLATE (807-11557-00)	1	
-1	(847-81300-20-00)	FLYWHL MAGNETO ASSEMBLY	1	

ELECTRICAL - CHARGING SYSTEM (MFR) (TYPH)	Flywheel magneto	
COIL RESISTANCE (PRIMARY) (SECONDARY)	9Ω	5.6KΩ
BREAKER POINT CAP/MINIMUM SPRING PRESSURE	.011"-.013"	600-800 grams
TIMING (B.T.D.C.)	2.6mm BTDC at full advance	

Property of www.SmallEngineDiscount.com - Not for Resale

OIL PUMP

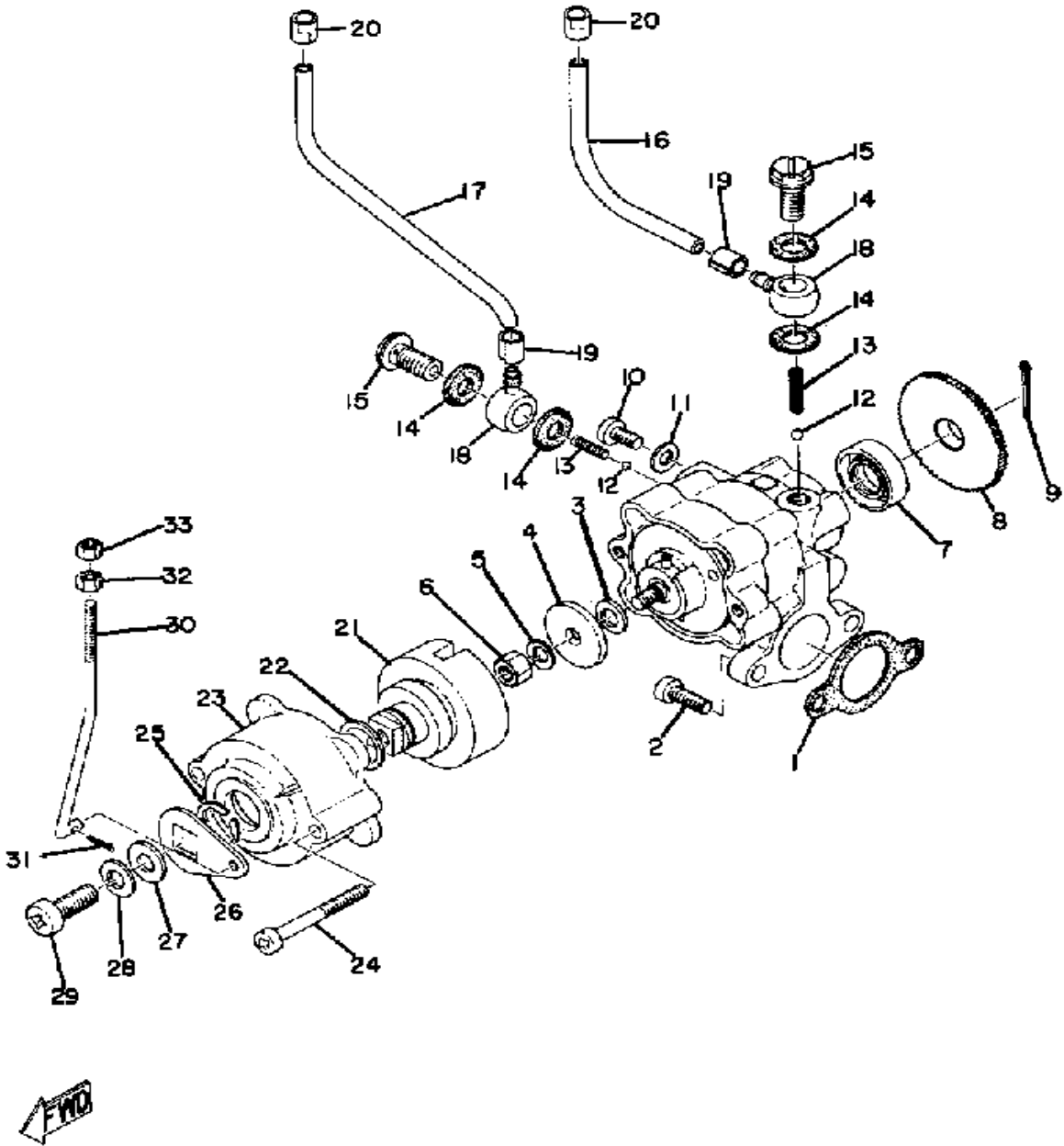


Ref. No.	Part Number	Description	Qty	Remarks
1	3MT-13116-00-00	GASKET, PUMP CASE (8Y0-13116-00)	1	
2	98580-05016-00	SCREW, PAN HEAD	2	
3	137-13137-00-03	. SHIM (0.3T)	1	U.R.
	137-13137-00-05	. SHIM (0.5T)	1	U.R.
4	137-13138-01-00	. PLATE, ADJUSTING	1	
5	92990-05100-00	. WASHER, SPRING	1	
6	95301-05600-00	. NUT	1	
7	93101-10090-00	. OIL SEAL	1	
8	(137-13128-00-00)	PLATE, STARTER	1	
9	91401-12018-00	. PIN, COTTER	1	
10	98901-04008-00	. SCREW, BIND	1	
11	90430-04004-00	. GASKET	1	
12	93505-32002-00	. BALL	2	
13	(90501-02017-00)	SPRING, COMPRESSION	2	
14	90430-06011-00	. GASKET	4	
15	90401-06001-00	. BOLT, UNION	2	
16	90445-05020-00	. HOSE (3-90) (807-13161-01)	1	
17	90445-05024-00	. HOSE (835-13171-00)	1	
18	214-13162-01-00	. BANJO, DLVRY PIPE	2	
19	90468-02033-00	. CLIP	2	
20	90468-02033-00	CLIP	2	
21	(812-13153-00-00)	SHAFT, PUMP CONTROL	1	
22	(812-13147-00-00)	SHIM	1	
23	(812-13146-00-00)	COVER, AJST PULLEY	1	
24	98511-04030-00	SCREW, PAN HEAD	2	
25	99001-09600-00	CIRCLIP	1	
26	(812-13156-00-00)	LEVER, PUMP CONTROL	1	
27	92990-06200-00	WASHER	1	

CONTINUED ON NEXT FRAME ►

Property of www.SmallEngineDiscount.com - Not for Resale

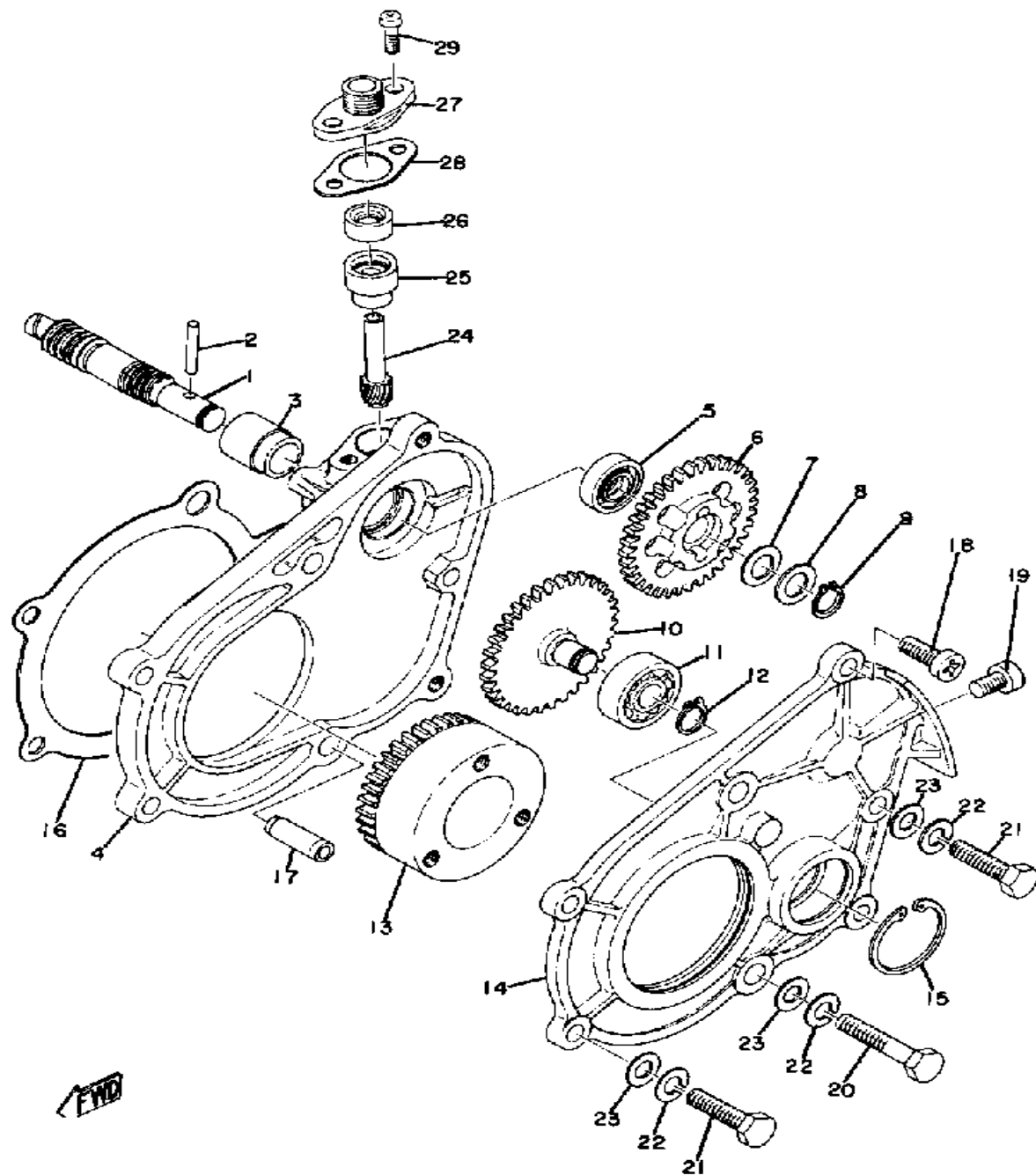
OIL PUMP



Ref. No.	Part Number	Description	Qty	Remarks
28	92995-06100-00	WASHER, SPRING	1	
29	98503-06014-00	SCREW, PAN HEAD (92502-06016)	1	
30	812-13157-00-00	ROD, PUMP CONTROL	1	
31	91490-12012-00	PIN, COTTER	1	
32	90170-03008-00	NUT, HEXAGON (807-13139-00)	1	
33	90185-03007-00	NUT, SELF-LOCKING (838-13139-00)	1	
-1	(847-13101-00-00)	OIL PUMP ASSEMBLY	1	

Property of www.SmallEngineDiscount.com - Not for Resale

PUMP DRIVE GEAR

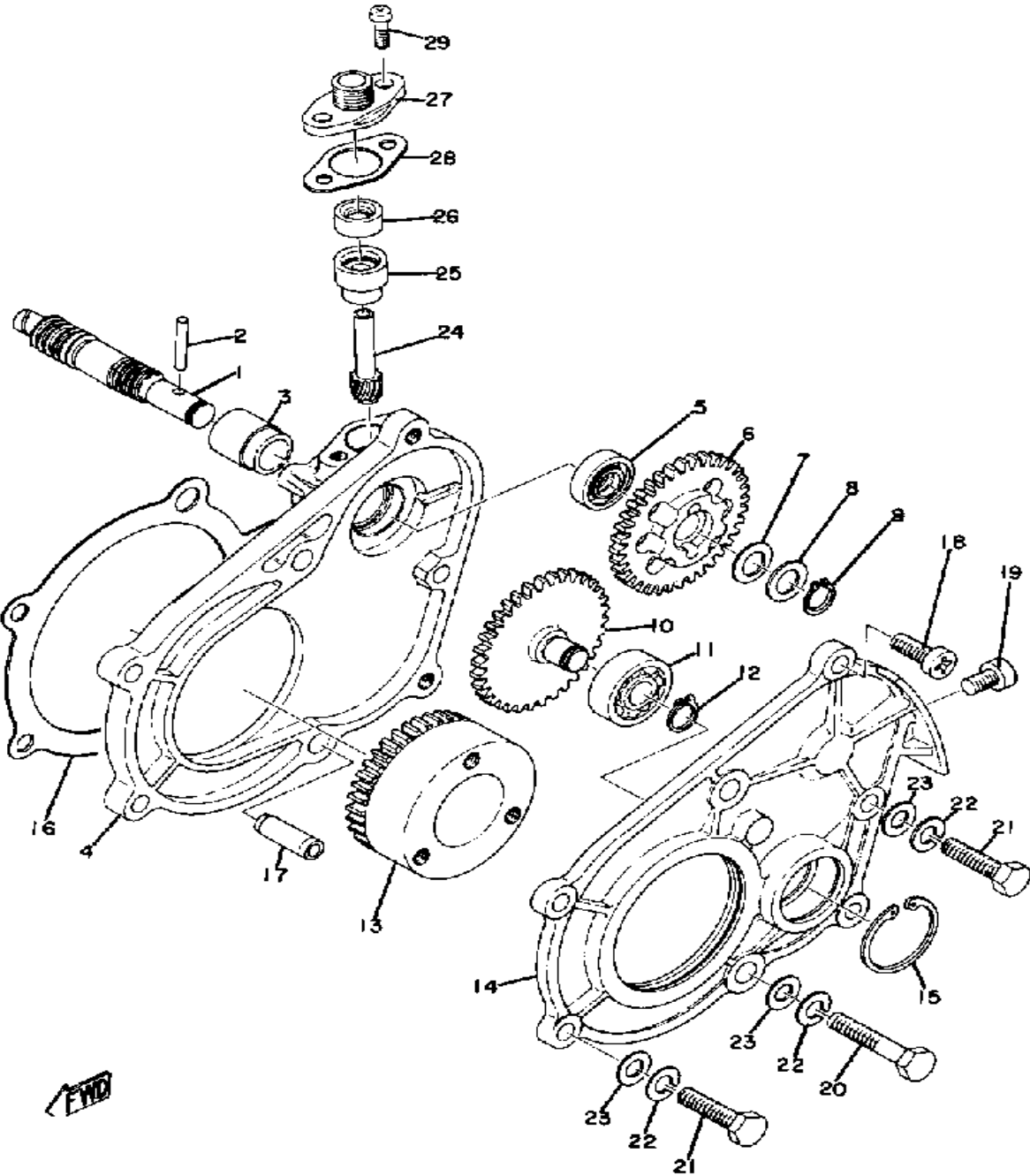


Ref. No.	Part Number	Description	Qty	Remarks
1	826-13175-00-00	SHAFT, WORM	1	
2	93603-22028-00	PIN, DOWEL	1	
3	821-13176-00-00	METAL, WORM SHAFT OUTER	1	
4	(834-15416-00-00)	COVER, OIL PUMP	1	
5	93101-10090-00	OIL SEAL	1	
6	(834-13188-00-00)	GEAR, DRIVE	1	
7	90206-11016-00	WASHER, WAVE	1	
8	137-13148-00-00	PLATE, CAM THRUST	1	
9	99009-10400-00	CIRCLIP	1	
10	(821-13179-00-00)	GEAR, IDLE	1	
11	93306-00002-00	BEARING (B6000RS)	1	
12	99009-10400-00	CIRCLIP	1	
13	(834-13178-00-00)	GEAR, PUMP DRIVE	1	
14	(834-15426-00-00)	COVER, OIL PUMP R	1	
15	93420-26024-00	CIRCLIP, R-TYPE (R-26)	1	
16	(834-15456-00-00)	GASKET, O/PMP CVR 1	1	
17	91810-18022-00	PIN, DOWEL	2	
18	98503-06014-00	SCREW, PAN HEAD (92502-06016)	2	
19	98580-06010-00	SCREW, PAN HEAD (92503-06010)	1	
20	97013-06035-00	BOLT	2	
21	97313-06030-00	BOLT, HEXAGON	3	
22	92995-06100-00	WASHER, SPRING	5	
23	92903-06200-00	WASHER, PLAIN	5	
24	813-17841-00-00	GEAR, DRIVEN (10T)	1	
25	821-17843-00-00	BUSH, DRIVEN GEAR OUTER .	1	
26	93104-06033-00	OIL SEAL	1	
27	821-17819-00-00	CAP, HOUSING	1	

CONTINUED ON NEXT FRAME ►

Property of www.SmallEngineDiscount.com - Not for Resale

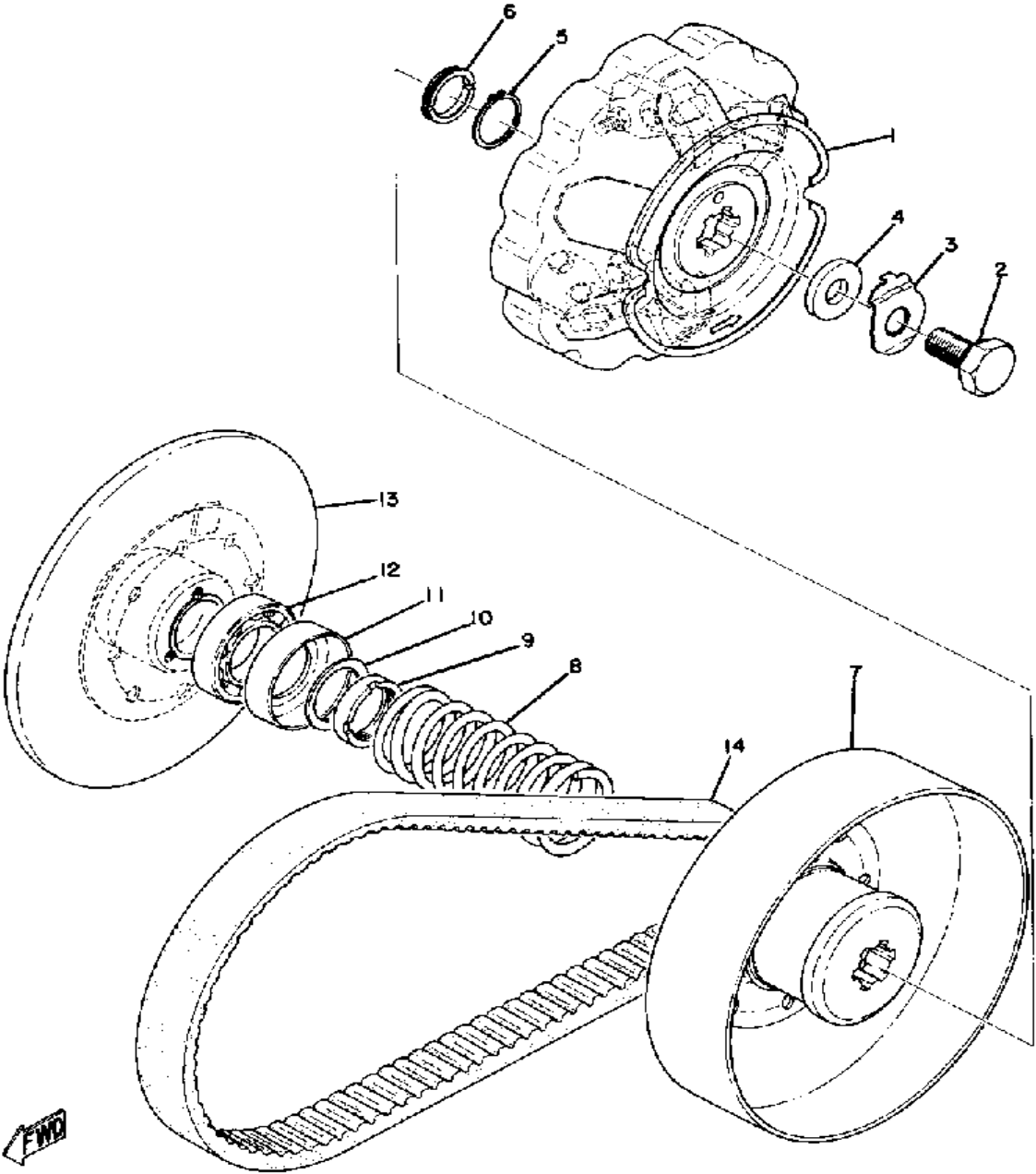
PUMP DRIVE GEAR



Ref. No.	Part Number	Description	Qty	Remarks
28	821-17818-02-00	GASKET	1	
29	98580-05010-00	SCREW, PAN HEAD	1	

Property of www.SmallEngineDiscount.com - Not for Resale

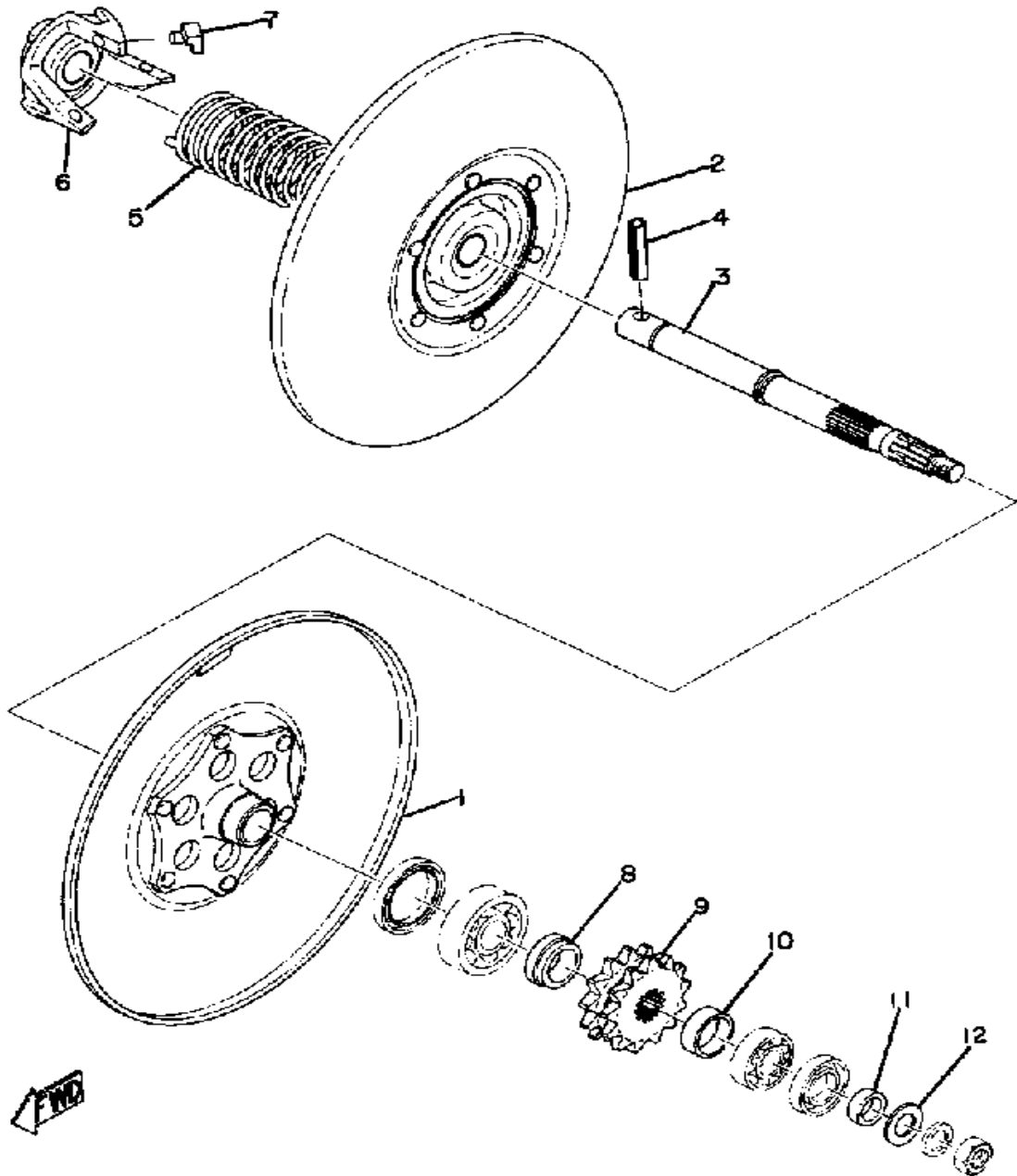
PRIMARY SHEAVE



Ref. No.	Part Number	Description	Qty	Remarks
1	(847-W1762-00-00)	PRI. SHEAVE CAP	1	
2	90105-14011-00	BOLT, WASHER BASED	1	
3	(90215-14087-00)	WASHER, LOCK	1	
4	90201-140A6-00	WASHER, PLATE	1	
5	99009-30400-00	CIRCLIP	1	
6	847-17645-00-00	COLLAR	2	
7	847-17620-00-00	PRI SLIDG SHEAVE	1	
8	(90501-50175-00)	SPRING, COMPRESSION	1	
9	90179-30091-00	NUT, SPEC'L SHAPE (835-17642-00)	1	
10	90208-30004-00	WASHER, CONICAL SPR (835-17648-00)	1	
11	(835-17644-00-00)	SEAT, SPRING	1	
12	(93306-00603-00)	BEARING	1	
13	(835-17610-00-00)	PRI FIXED SHEAVE	1	
14	820-17641-00-00	V-BELT	1	

Property of www.SmallEngineDiscount.com - Not for Resale

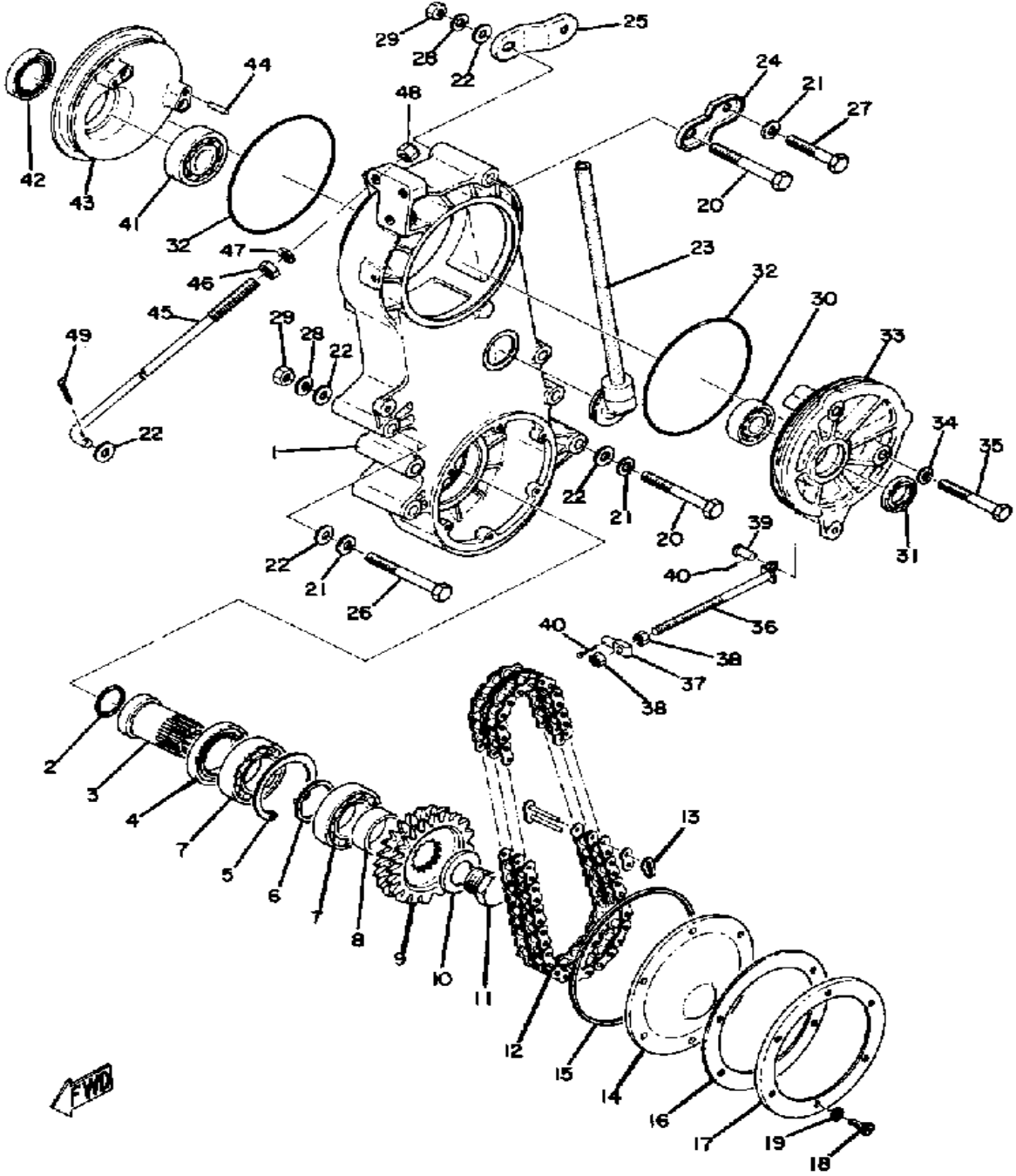
SECONDARY SHEAVE



Ref. No.	Part Number	Description	Qty	Remarks
1	(835-17660-00-00)	SEC FXD SHV	1	
2	(835-17670-00-00)	SEC SLIDING SHEAVE	1	
3	(835-17681-00-00)	SHAFT, SECONDARY	1	
4	90254-08001-00	PIN, SPRING TYPE	1	
5	805-17683-00-00	SPRING, SECONDARY (805-17683-00)	1	
6	810-17684-01-00	SEAT, SEC SPRINGSRING ..	1	
7	801-17688-10-00	SHOE, RAMP	3	
8	90387-19149-00	COLLAR (812-17685-00)	1	
9	(810-17682-50-00)	SPRKT, CHAIN DR 15T	1	U.R.
	802-17682-40-00	SPRKT, CHAIN DR 13TCHAIN DRIVE (13T) (806-17682-30-0) ..	1	U.R.
	806-17682-20-00	SPROCKET, CHAIN DRIVE (12T)	1	U.R.
	806-17682-40-00	SPROCKET, CHAIN DRIVE (14T)	1	U.R.
10	90387-17133-00	COLLAR	1	
11	90387-17130-00	COLLAR (818-17686-00)	1	
12	(150-17417-00-03)	SHIM 1	1	
	150-17417-00-02	SHIM 1	1	

Property of www.SmallEngineDiscount.com - Not for Resale

TRACK DRIVE

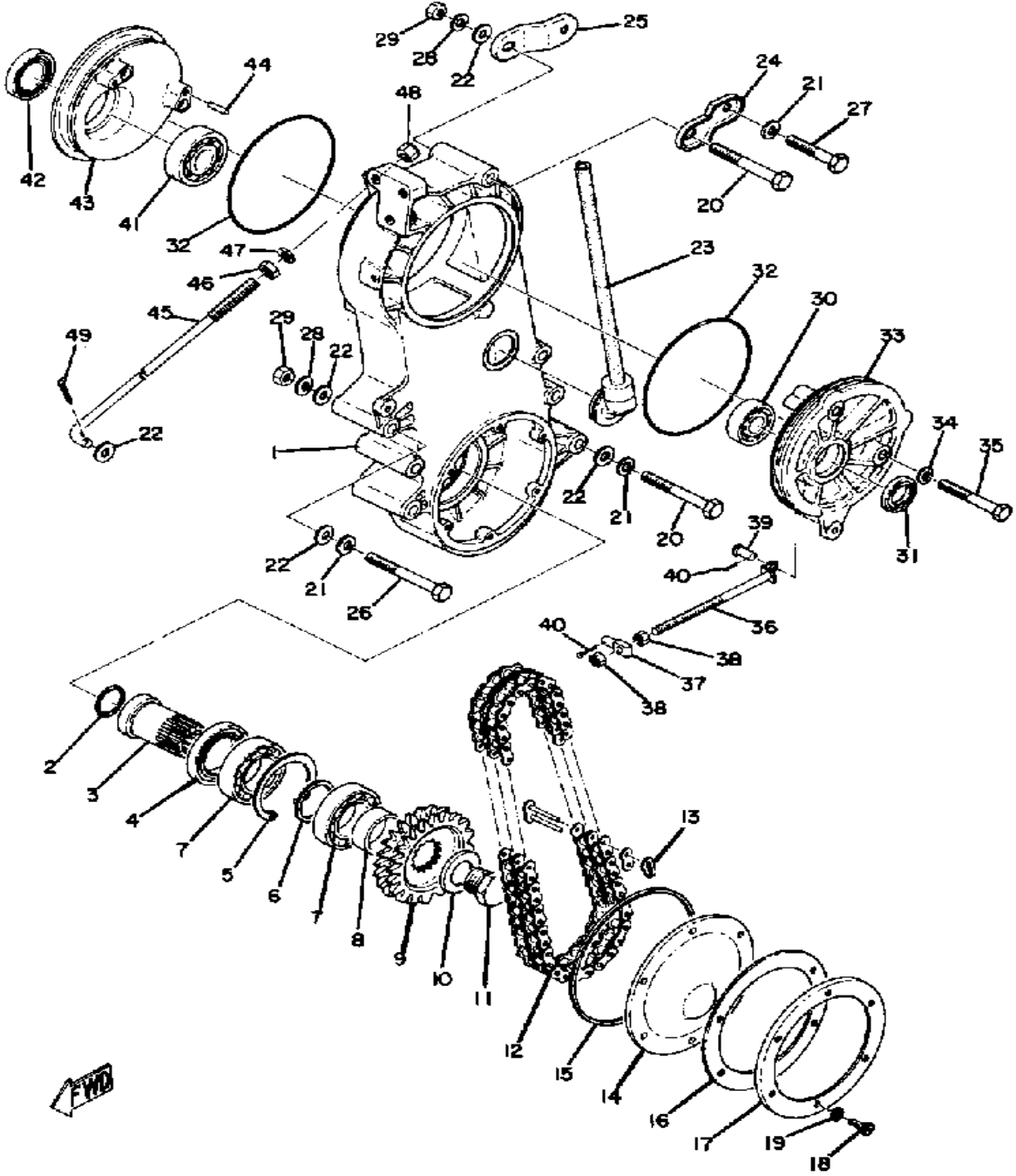


Ref. No.	Part Number	Description	Qty	Remarks
1	(835-47541-00-00)	HOUSING, CHAIN	1	
2	93210-25070-00	O-RING	1	
3	(835-47571-00-00)	JOURNAL 1	1	
4	(93102-40101-00)	OIL SEAL, SD-TYPE	1	
5	93420-62070-00	CIRCLIP 54G	1	
6	90560-35050-00	SPACER	1	
7	93306-00701-00	BEARING (B6007)	2	
8	(90387-35207-00)	COLLAR	1	
9	(802-47548-60-00)	SPROCKET, CHN DRVN	1	U.R.
	(835-47548-00-00)	SPROCKET, CHN DRVN	1	U.R.
	(835-47548-10-00)	SPROCKET, CHN DRVN	1	U.R.
	802-47548-50-00	SPROCKET, CHN DRVN	1	U.R.
10	821-47582-00-00	SPRING, BELLEVILLE	1	
11	90109-24202-00	BOLT (802-47553-00)	1	
12	94804-25062-00	CHAIN (DK425-2 62L)	1	
13	94904-25001-00	. JOINT CHAIN	1	
14	(835-47543-00-00)	CAP, HOUSING	1	
15	(806-47558-00-00)	RING, HOUSING	1	
16	821-47544-00-00	GASKET	1	
17	(821-47591-00-00)	PLATE	1	
18	90143-05004-00	SCREW, HEXAGON	6	
19	90210-05005-00	WASHER, SEAL	6	
20	97021-08070-00	BOLT	6	
21	92990-08100-00	WASHER	7	
22	92990-08200-00	WASHER, PLAIN	9	
23	835-47559-00-00	CAP 2	1	
24	(820-47565-00-00)	STAY 1	1	
25	(820-47566-00-00)	STAY 2	1	
26	97013-08075-00	BOLT	1	

CONTINUED ON NEXT FRAME ➤

Property of www.SmallEngineDiscount.com - Not for Resale

TRACK DRIVE

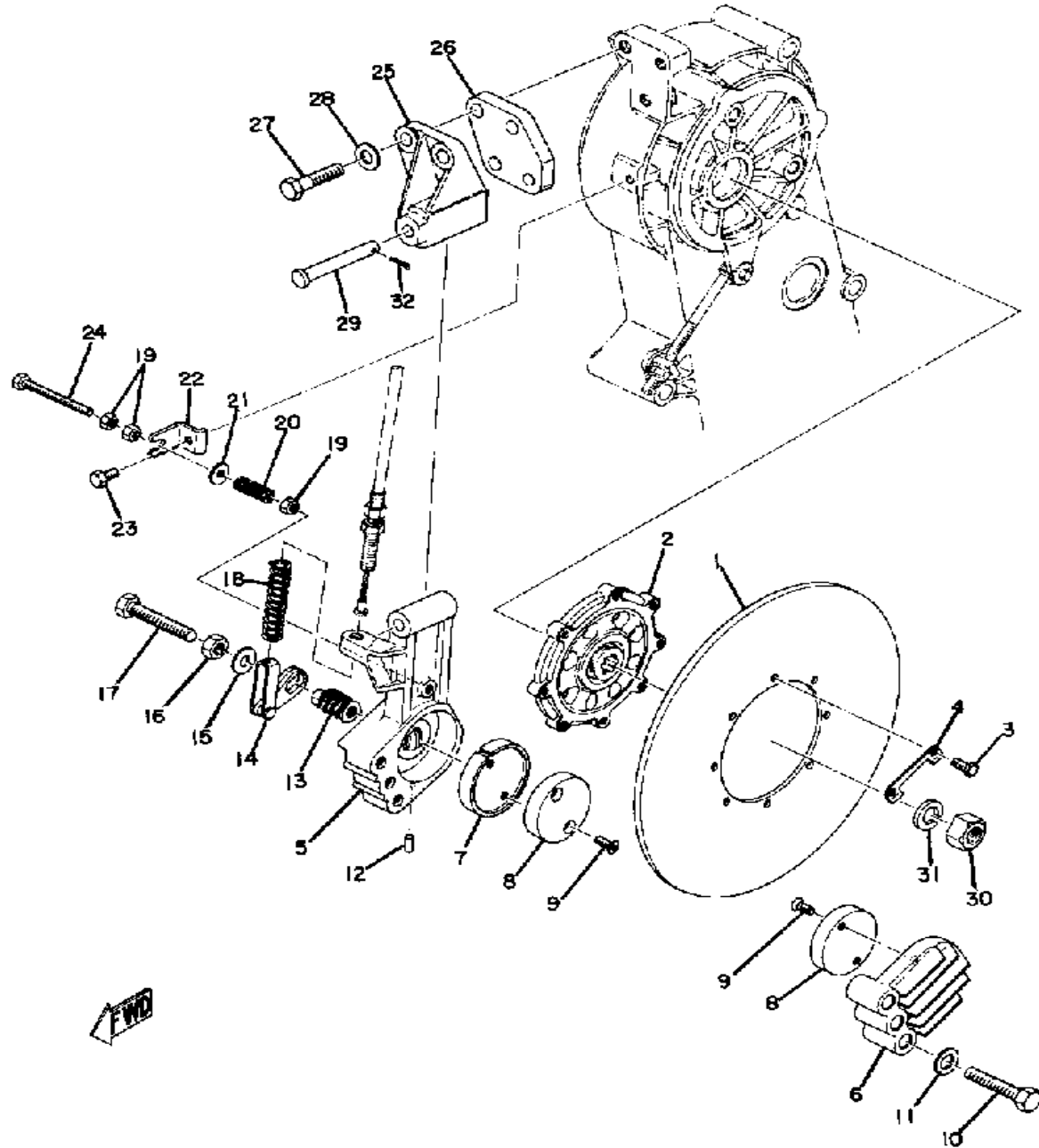


Ref. No.	Part Number	Description	Qty	Remarks
27	97313-08050-00	BOLT, HEXAGON (90101-08125)	1	
28	92990-08100-00	WASHER	2	
29	95333-08600-00	NUT	2	
30	93306-20310-00	BEARING	1	
31	93102-22087-00	OIL SEAL	1	
32	93211-13109-00	O-RING	2	
33	(847-47561-00-00)	HOUSING, SEC SHAFT	1	
34	90210-08002-00	WASHER, SEAL	2	
35	97013-08060-00	BOLT (663)	2	
36	(829-47567-00-00)	BOLT, SEC HOUSING	1	
37	(90249-06013-00)	PIN, SPEC'L SHAPE	1	
38	95380-06600-00	NUT	2	
39	91702-06014-00	PIN	1	
40	91490-20020-00	PIN, COTTER	2	
41	93306-30407-00	BEARING (B6304C3)	1	
42	93102-30083-00	SEAL, OIL	1	
43	810-47562-00-00	HOUSING, SEC SHAFT	1	
44	93604-18058-00	PIN, DOWEL	2	
45	(847-47585-00-00)	UNAVAILABLE IN PRICE BOOK	1	N/A
46	95333-08600-00	NUT	1	
47	92990-08100-00	WASHER	1	
48	90185-08089-00	NUT, SELF-LOCKING	1	
49	91401-30030-00	PIN, COTTER	1	

Property of www.SmallEngineDiscount.com - Not for Resale

B10

BRAKE

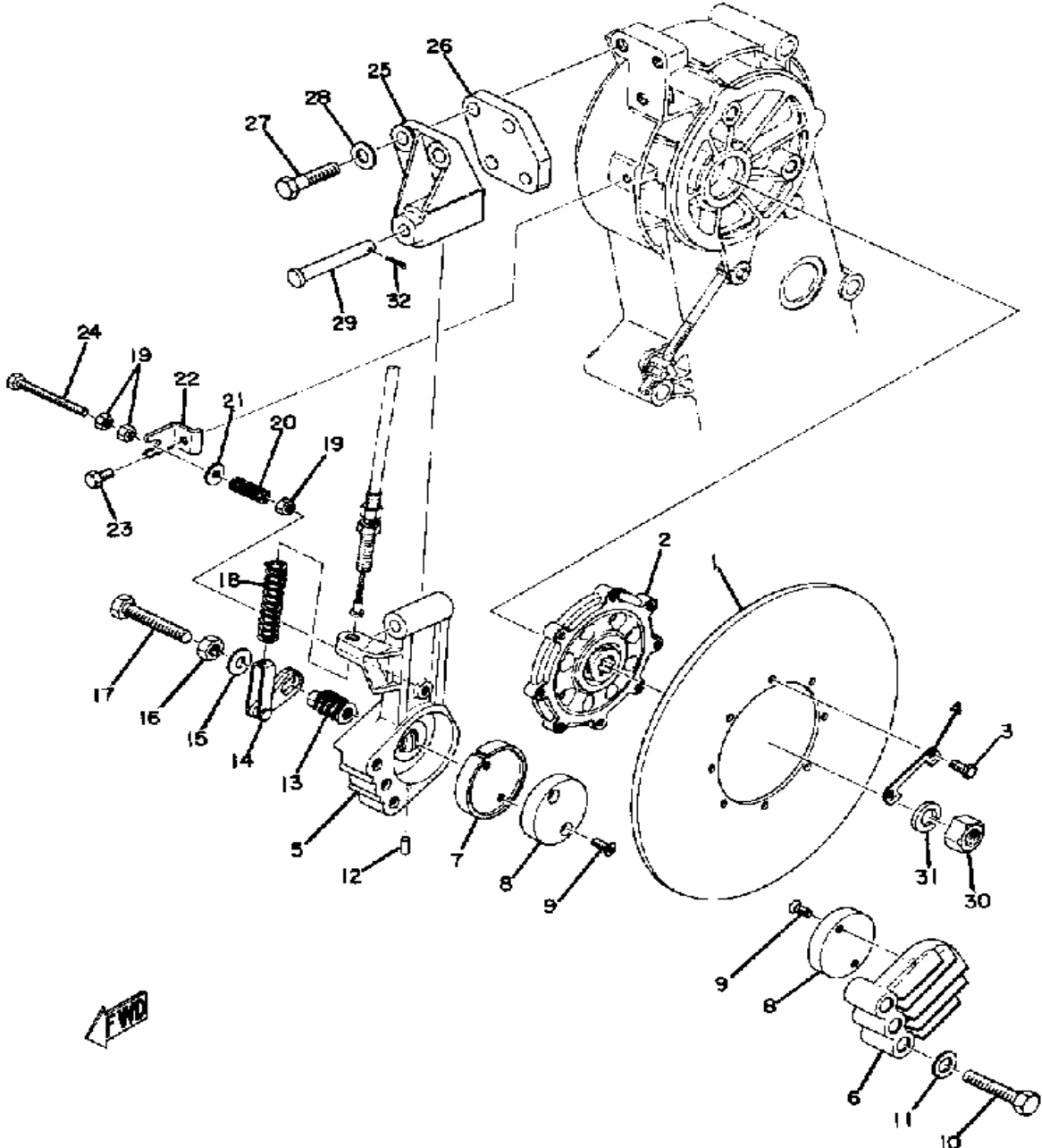


Ref. No.	Part Number	Description	Qty	Remarks
1	(835-25711-00-00)	DISC, BRAKE	1	
2	(847-25712-00-00)	BRACKET, DISC	1	
3	(97321-05012-00)	BOLT, HEXAGON	8	
4	(835-25714-00-00)	WASHER, LOCK	4	
5	(835-25731-00-00)	BODY, CALIPER 1	1	
6	(835-25741-00-00)	BODY, CALIPER 2	1	
7	(835-25733-00-00)	PLATE, BACK UP	1	
8	835-25732-00-00	PAD, CALIPER	2	
9	98701-05012-00	SCREW, FLAT HEAD	4	
10	97313-08045-00	BOLT	3	
11	92990-08200-00	WASHER, PLAIN	3	
12	93604-14012-00	PIN, DOWEL	1	
13	(835-25728-00-00)	CAM	1	
14	(835-25726-00-00)	LEVER, BRAKE	1	
15	92990-08200-00	WASHER, PLAIN	1	
16	95333-08600-00	NUT	1	
17	(835-25748-00-00)	SCREW, ADJUSTING 2	1	
18	(835-25745-00-00)	SPRING, RETURN 2	1	
19	95380-06600-00	NUT	3	
20	(90501-20120-00)	SPRING, COMPRESSION	1	
21	92990-06200-00	WASHER	1	
22	(835-25736-00-00)	HOOK, SPRING	1	
23	97013-06012-00	BOLT	1	
24	(90101-06118-00)	BOLT	1	
25	(835-25721-00-00)	BRACKET, CALIPER	1	
26	(835-25722-00-00)	BRACKET, ADJUSTING	1	
27	97313-08040-00	BOLT, HEXAGON (97322-08040)	3	
28	92990-08200-00	WASHER, PLAIN	3	
29	(90240-08020-00)	PIN, CLEVIS	1	

CONTINUED ON NEXT FRAME ➤

Property of www.SmallEngineDiscount.com - Not for Resale

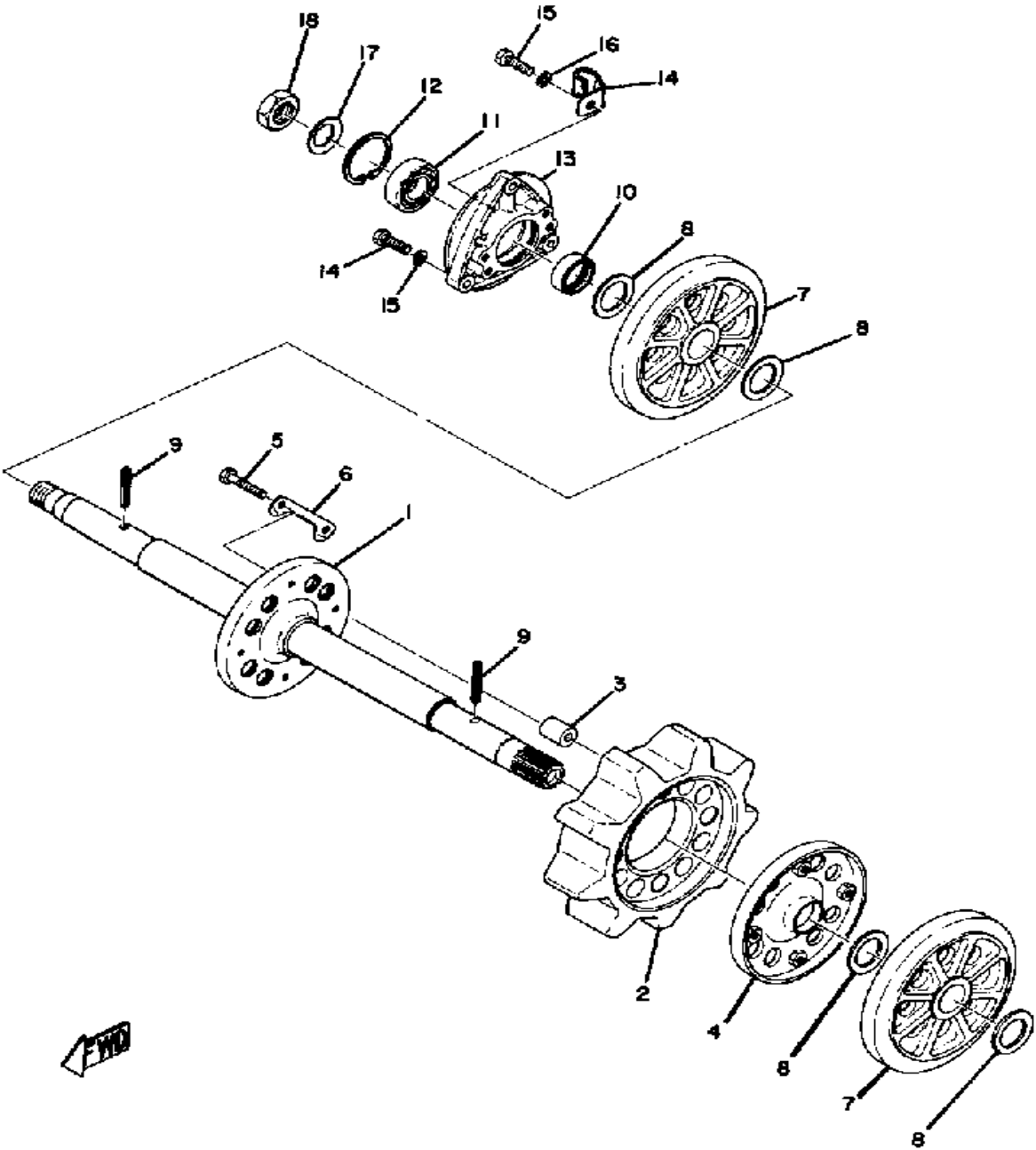
BRAKE



Ref. No.	Part Number	Description	Qty	Remarks
30	95301-12700-00	NUT (95302-12700)	1	
31	92901-12100-00	WASHER, SPRING	1	
32	91401-30030-00	PIN, COTTER	1	

Property of www.SmallEngineDiscount.com - Not for Resale

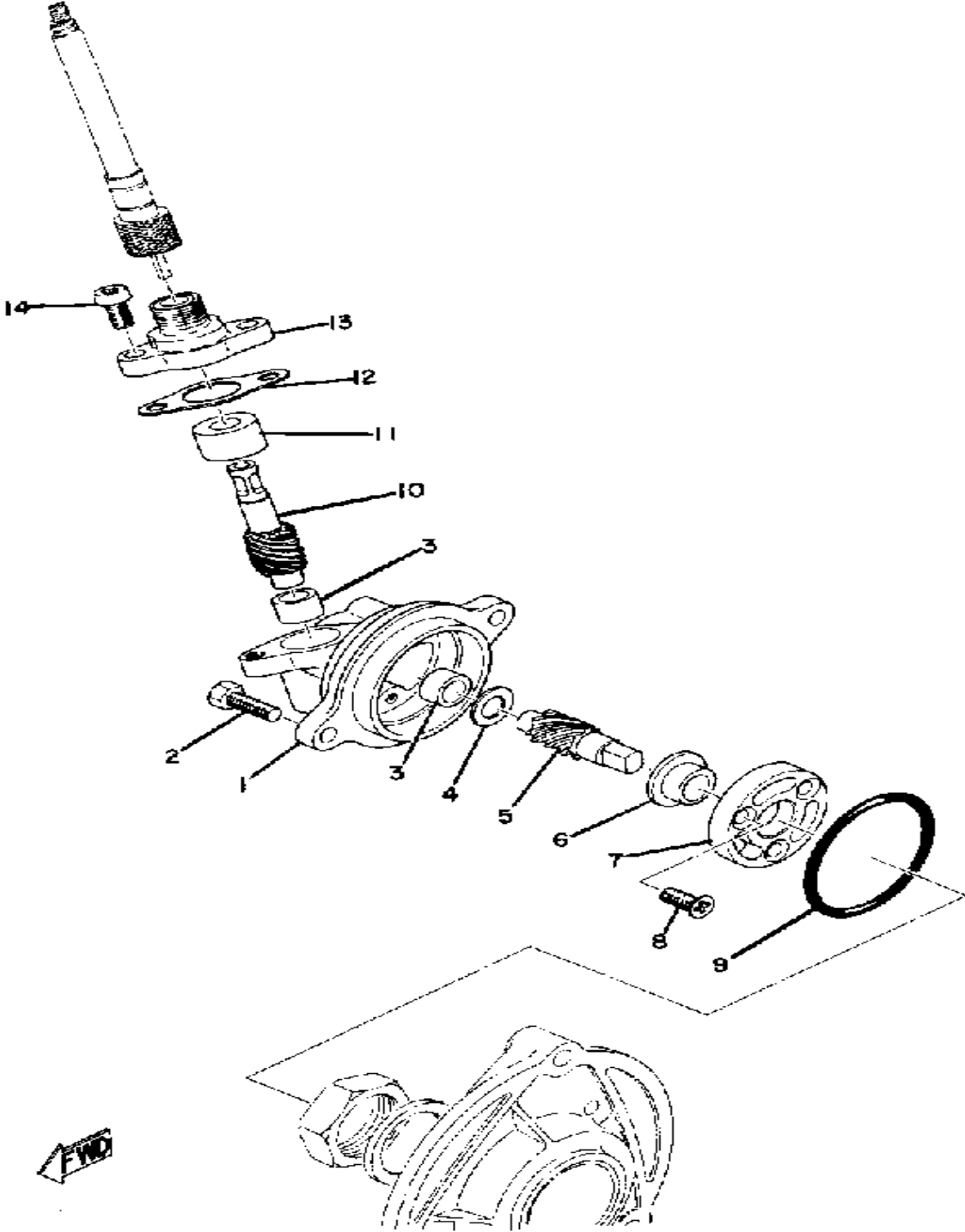
FRONT AXLE



Ref. No.	Part Number	Description	Qty	Remarks
1	835-47510-00-00	FRONT AXLE	1	
2	810-47532-00-00	WHEEL, SPROCKET 2	1	
3	(90387-06021-00)	COLLAR	4	
4	(835-47522-00-00)	RIM, SPROCKET WHL 2	1	
5	97013-06035-00	BOLT	4	
6	90215-06100-00	WASHER, LOCK	2	
7	810-47530-00-00	GUIDE WHEEL	2	
8	90201-25499-00	WASHER, PLATE	4	
9	91609-60036-00	PIN, SPRING	2	
10	93102-25084-00	OIL SEAL, SD-TYPE	1	
11	93306-00412-00	BEARING	1	
12	93420-44029-00	CIRCLIP, R-TYPE	1	
13	810-47551-00-00	HOUSING, FRONT AXLE	1	
14	90465-06013-00	CLAMP	1	
15	97011-06025-00	BOLT (97001-06025)	3	
16	92995-06100-00	WASHER, SPRING	3	
17	90208-22001-00	WASHER, CONICAL SPRING ..	1	
18	90170-22094-00	NUT	1	

Property of www.SmallEngineDiscount.com - Not for Resale

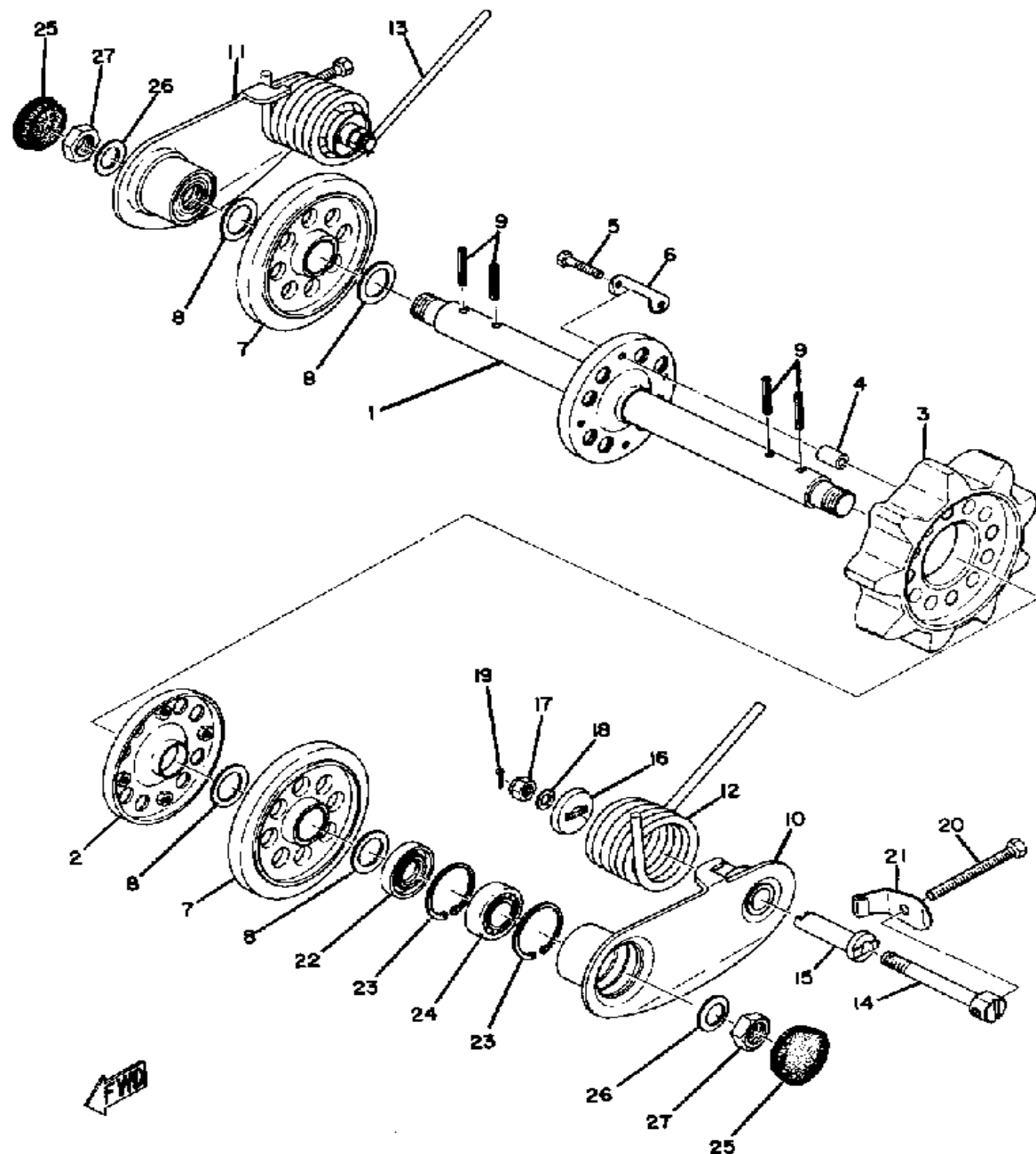
SPEEDOMETER GEAR UNIT



Ref. No.	Part Number	Description	Qty	Remarks
1	8E6-47711-10-00	HOUSING	1	
2	97313-06016-00	BOLT, HEXAGON	2	
3	(90380-08002-00)	BUSH, SOLID	2	
4	810-47717-10-00	SHIM	1	
5	810-47731-11-00	GEAR, DRIVE	1	
6	90381-10003-00	BUSH, SOLID	1	
7	853-47712-10-00	JOURNAL	1	
8	98701-04012-00	SCREW, FLAT HEAD	3	
9	93210-43141-00	O-RING	1	
10	810-47741-11-00	GEAR, DRIVEN (810-47741-10)	1	
11	90380-08005-00	BUSH, SOLID	1	
12	810-47727-10-00	GASKET	1	
13	8E3-47721-10-00	COVER, HOUSING	1	
14	98580-05012-00	SCREW, PAN HEAD	2	

Property of www.SmallEngineDiscount.com - Not for Resale

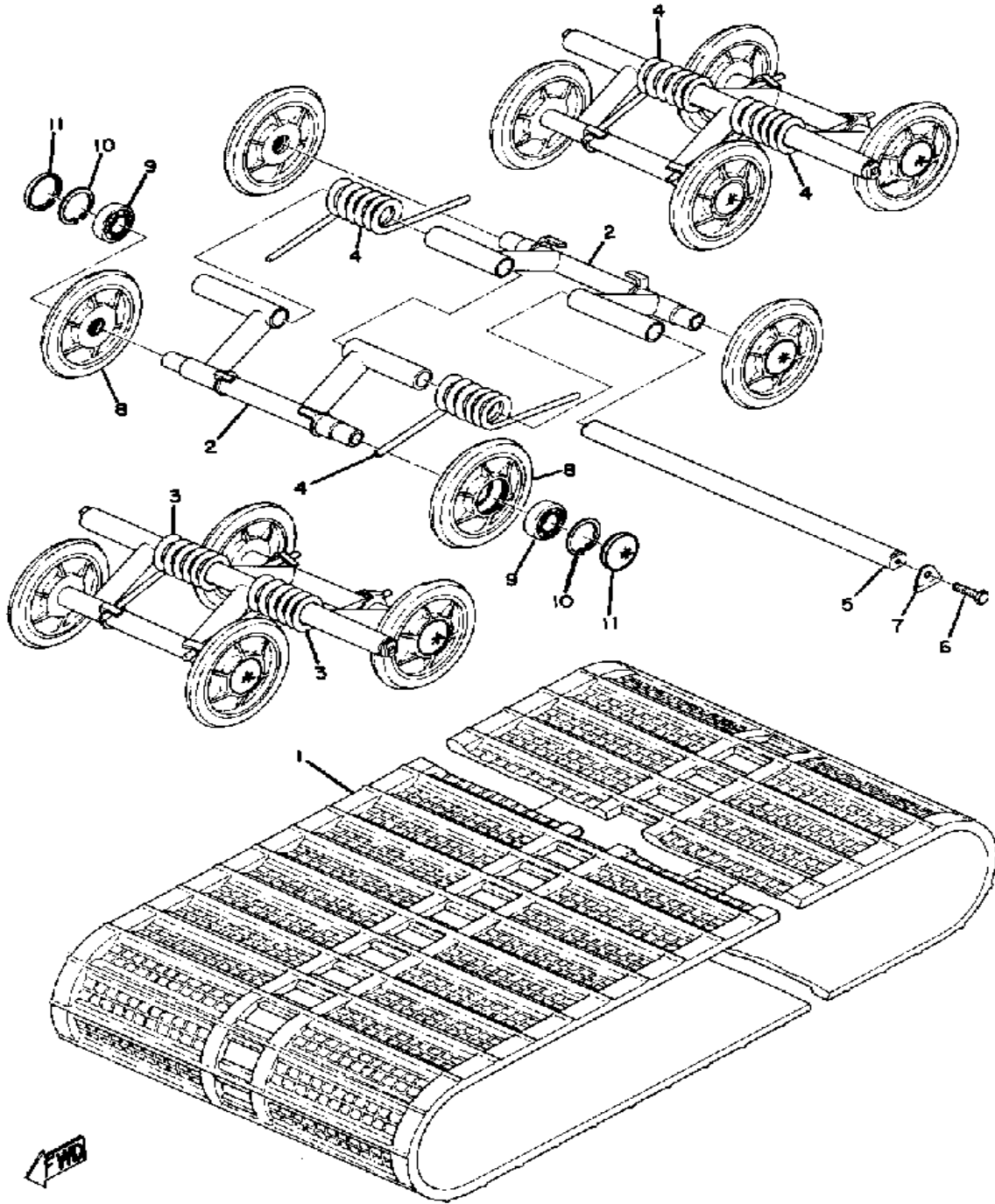
REAR AXLE



Ref. No.	Part Number	Description	Qty	Remarks
1	847-47520-00-00	REAR AXLE	1	
2	(835-47522-00-00)	RIM, SPROCKET WHL 2	1	
3	810-47532-00-00	WHEEL, SPROCKET 2	1	
4	(90387-06021-00)	COLLAR	4	
5	97013-06035-00	BOLT	4	
6	90215-06100-00	WASHER, LOCK	2	
7	836-47530-00-00	GUIDE WHEEL	2	
8	(836-47519-00-00)	PLATE	4	
9	91609-60036-00	PIN, SPRING	4	
10	(847-47361-00-00)	ARM, REAR PIVOT 1	1	
11	847-47362-00-00	ARM, REAR PIVOT 2	1	
12	90508-72114-00	SPRING, TORSION	1	
13	90508-72084-00	SPRING, TORSION (812-47364-00)	1	
14	90149-08022-00	SCREW, SPEC'L SHAPE	2	
15	810-47369-00-00	COLLAR	2	
16	90209-08067-00	WASHER, SPEC'L SHAP	1	
17	90185-08089-00	NUT, SELF-LOCKING	2	
18	92990-08200-00	WASHER, PLAIN	2	
19	91401-30030-00	PIN, COTTER	2	
20	90106-08050-00	BOLT, DOME HEAD (841-47373-00)	2	
21	90215-08069-00	WASHER, LOCK	2	
22	(93105-30014-00)	OIL SEAL, SDD-TYPE	2	
23	99009-52500-00	CIRCLIP	4	
24	93306-20529-00	BEARING (B6205C4)	2	
25	(847-47552-00-00)	CAP	2	
26	(90208-24002-00)	WASHER, CONICAL SPR	2	
27	(90170-24098-00)	NUT, HEXAGON	2	

Property of www.SmallEngineDiscount.com - Not for Resale

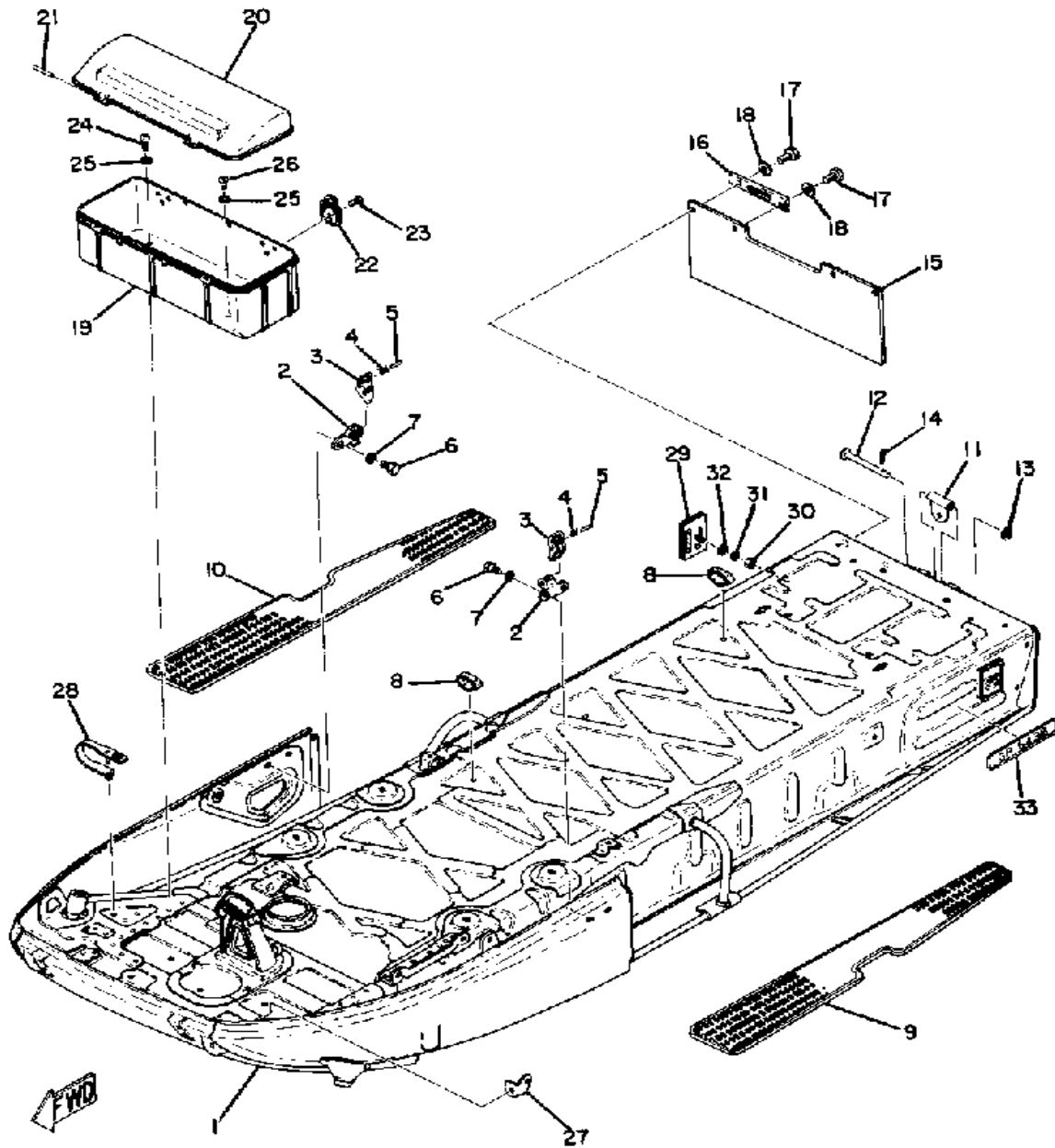
TRACK-SUSPENSION WHEEL



Ref. No.	Part Number	Description	Qty	Remarks
1	863-47110-00-00	TRACK ASSEMBLY (847-47110-00)	1	
2	807-47331-01-00	ARM, PIVOT 1 (807-47331-00)	6	
3	90508-70097-00	SPRING, TORSION (847-47335-00)	2	FRONT
4	90508-70098-00	SPRING, TORSION (834-47335-00)	4	CENTER OR REAR
5	807-47337-00-00	SHAFT, PIVOT	3	
6	97313-08030-00	BOLT, HEXAGON	6	
7	(806-47347-00-00)	WASHER, LOCK	6	
8	885-47320-01-00	SUSPENSION WHEEL COMP.	12	
9	93306-00441-00	BEARING (89A) (B6004RS)	12	
10	99009-42500-00	CIRCLIP	12	
11	818-47317-01-00	CAP, WHEEL	12	

Property of www.SmallEngineDiscount.com - Not for Resale

FRAME

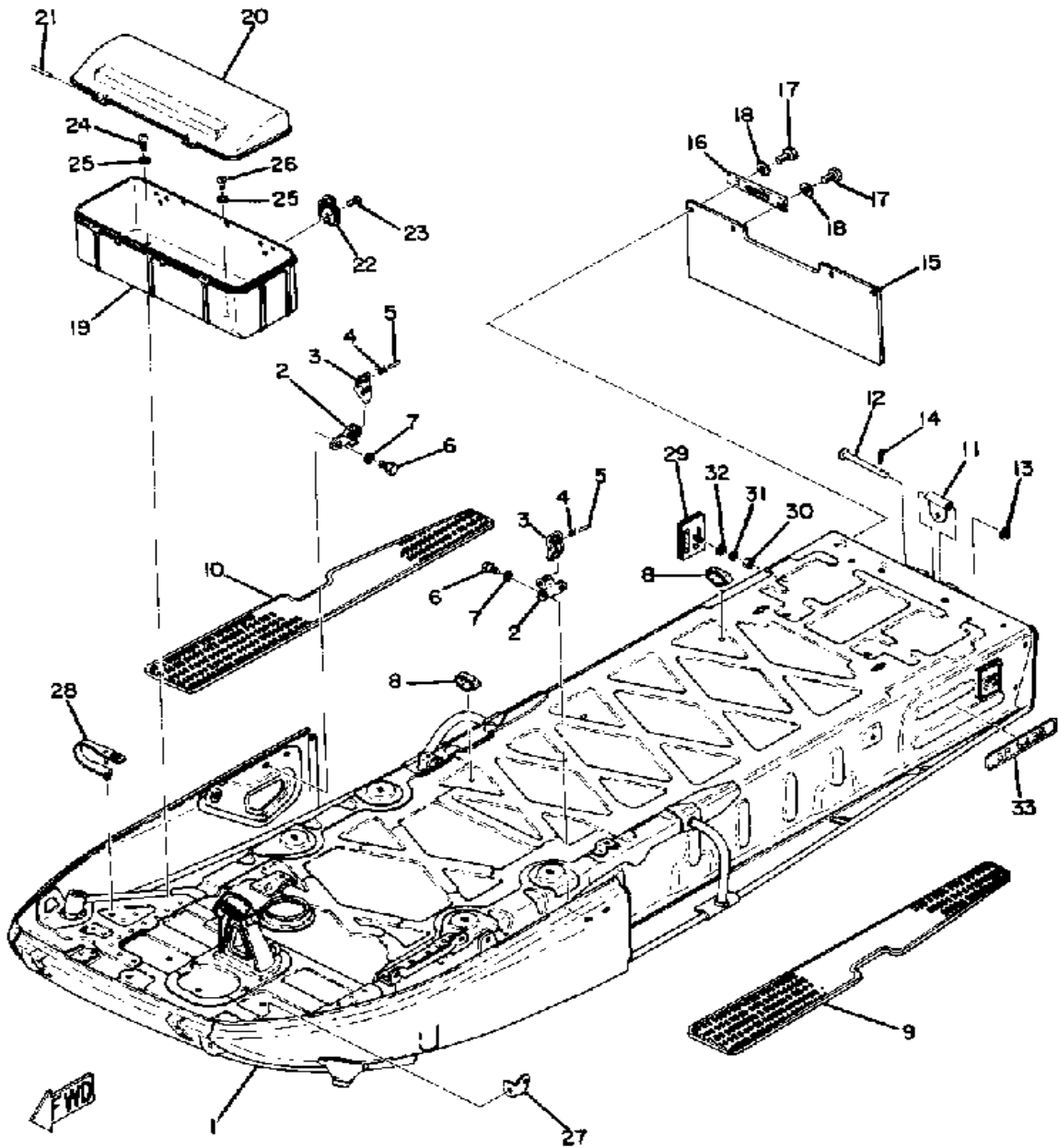


Ref. No.	Part Number	Description	Qty	Remarks
1	(847-21910-00-00)	FRAME	1	
2	UNA-VAILA-BL-EI	0 0		
3	806-77173-00-00	. LEVER, LATCH 1	2	
4	90508-10012-00	. SPRING, TORSION	2	
5	90249-04068-00	. PIN, SPECL SHAPE	2	
6	97313-05016-00	BOLT, HEXAGON	4	
7	92990-05100-00	WASHER, SPRING	4	
8	(90464-13008-00)	CLAMP	3	
9	(806-27413-00-00)	COVER, FOOTREST	1	
10	(806-27423-00-00)	COVER, FOOTREST	1	
11	802-77591-00-00	BRACKET, HITCH 1	1	
12	(91701-08102-00)	PIN, CLEVIS	1	
13	92990-08200-00	WASHER, PLAIN	1	
14	91401-25020-00	PIN, COTTER	1	
15	(807-77595-02-00)	FLAP	1	
16	(807-77593-00-00)	PLATE, FLAP 1	2	
17	97013-06012-00	BOLT	4	
18	92995-06100-00	WASHER, SPRING	4	
19	(822-77301-00-00)	LUGGAGE BOX ASSEMBLY ..	1	
20	(822-77392-00-00)	COVER, LUGGAGE BOX	1	
21	90249-03021-00	. PIN, SPEC"L SHAPE	2	
22	(822-77340-00-00)	LUGGE BOX LTCH ASSEMBLY	2	
23	98702-03008-00	. SCREW, FLAT HEAD	6	
24	98503-06014-00	. SCREW, PAN HEAD (92502-06016)	3	
25	92990-06200-00	. WASHER	5	
26	98511-06025-00	. SCREW PAN HEAD (92501-06025)	2	
27	(836-21939-00-00)	BRACKET, CHAIN HSNG	1	

CONTINUED ON NEXT FRAME ►

Property of www.SmallEngineDiscount.com - Not for Resale

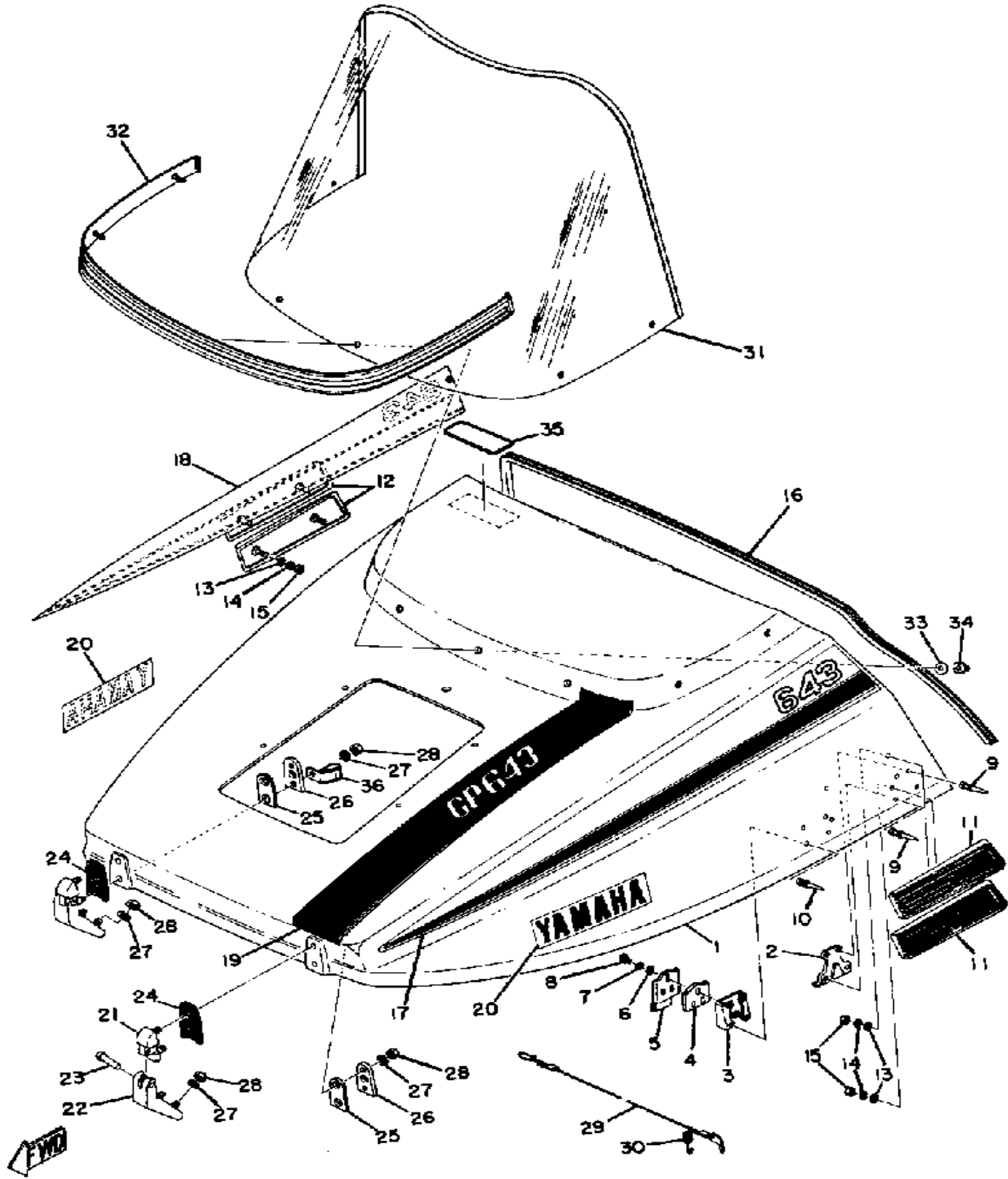
FRAME



Ref. No.	Part Number	Description	Qty	Remarks
28	(841-82591-00-00)	BAND	1	
29	(821-85131-00-00)	REFLECTOR, REAR 1	2	
30	95701-06300-00	NUT, NYLON	2	
31	92995-06100-00	WASHER, SPRING	2	
32	92990-06200-00	WASHER	2	
33	(847-77354-00-00)	EMBLEM 4	2	
-1	807-77170-00-00	LATCH ASSEMBLY	2	
-2	(822-77301-00-00)	LUGGAGE BOX ASSEMBLY ..	1	

Property of www.SmallEngineDiscount.com - Not for Resale

SHROUD



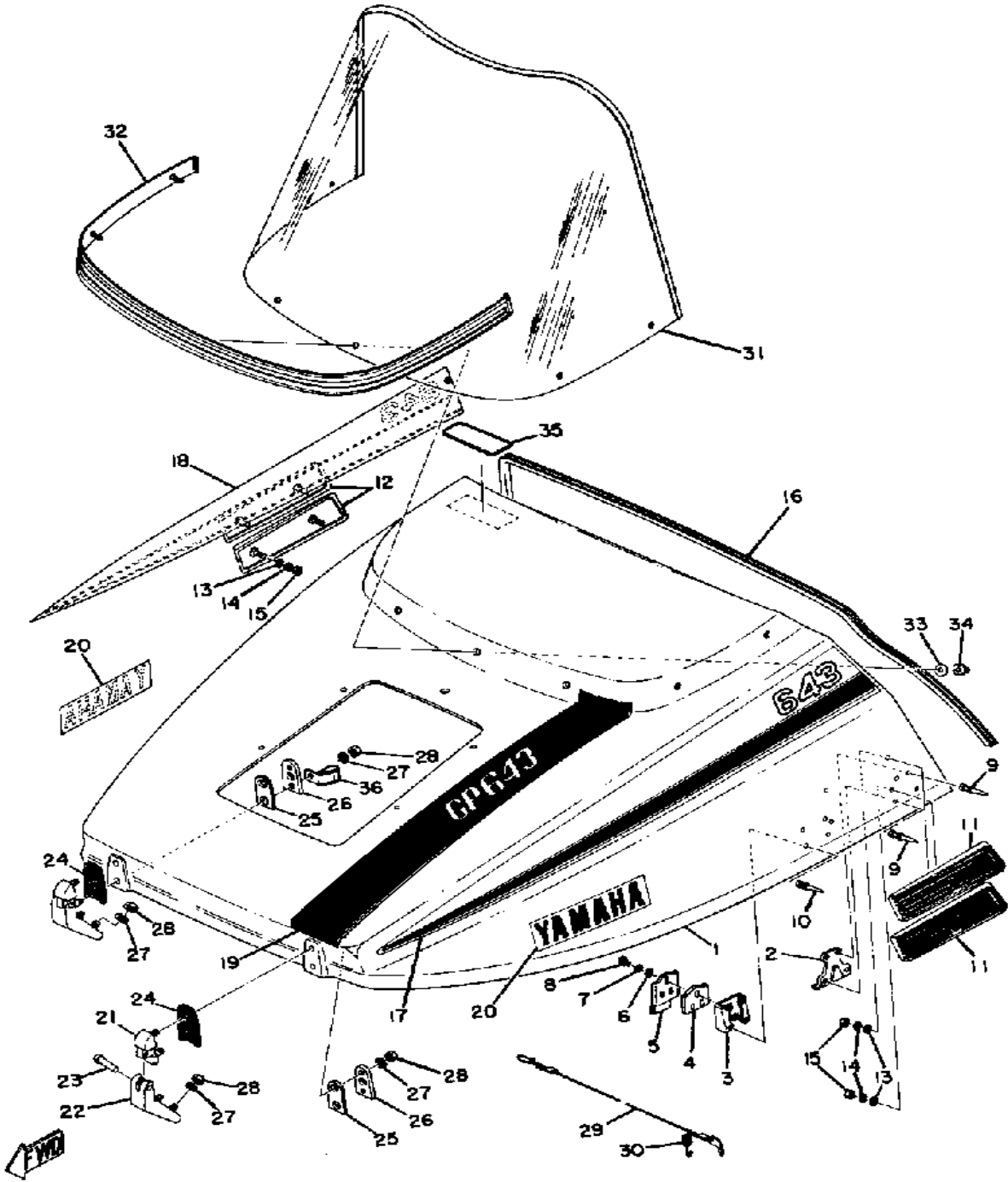
Ref. No.	Part Number	Description	Qty	Remarks
1	(847-77111-00-00)	SHROUD	1	
2	806-77171-00-00	BODY, LATCH 1	2	
3	(811-77138-00-00)	CLAMP 4	2	
4	810-77179-00-00	WASHER 2	2	
5	810-77136-00-00	CLAMP 2	2	
6	90201-05029-00	WASHER, PLATE	6	
7	92990-05100-00	WASHER, SPRING	6	
8	97313-05010-00	BOLT, HEXAGON	6	
9	90267-40M00-00	RIVET, BLIND	12	
10	90267-40M00-00	RIVET, BLIND	4	
11	(838-77131-00-00)	LOUVER 1	2	
12	838-77132-00-00	LOUVER 2	2	
13	92990-05200-00	WASHER, PLAIN	8	
14	92990-05100-00	WASHER, SPRING	8	
15	95380-05600-00	NUT	8	
16	(847-77166-00-00)	TRIM 2	1	
17	(847-77163-00-00)	ORNAMENT 1	1	
18	(847-77164-00-00)	ORNAMENT 2	1	
19	(847-77169-00-00)	ORNAMENT 3	1	
20	(838-77357-00-00)	EMBLEM 7	2	
21	(806-77145-00-00)	HINGE 1	2	
22	806-77147-00-00	HINGE 3	2	
23	90243-05002-00	PIN (806-77157-00)	2	
24	(806-77198-00-00)	DAMPER 1	2	
25	810-77199-00-00	DAMPER 2	2	
26	810-77153-00-00	PLATE, BACK UP 1	2	
27	92995-06100-00	WASHER, SPRING	8	
28	95380-06600-00	NUT	8	
29	(838-77118-00-00)	STOPPER, SHROUD	1	

CONTINUED ON NEXT FRAME ➤

Property of www.SmallEngineDiscount.com - Not for Resale

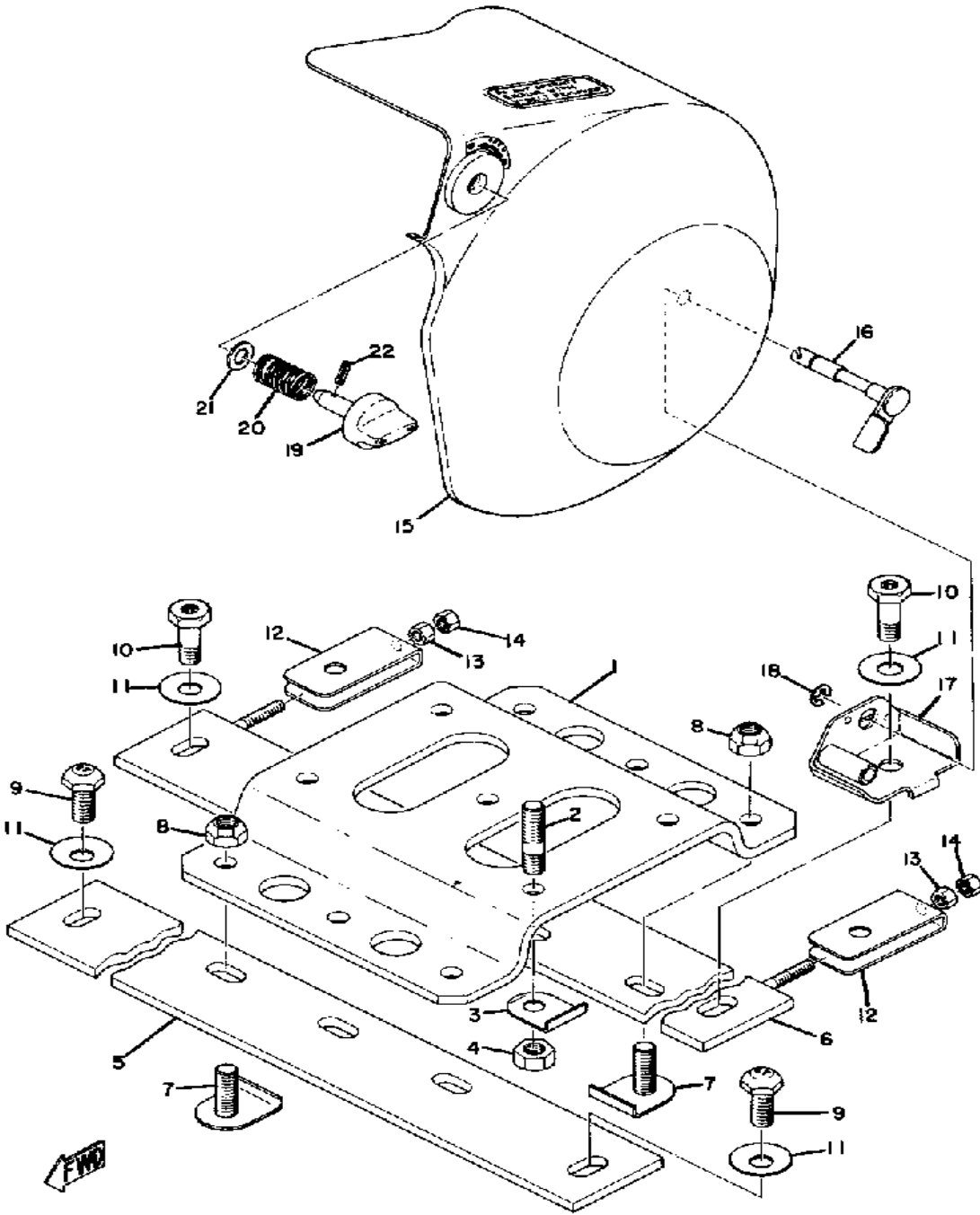
SHROUD

Ref. No.	Part Number	Description	Qty	Remarks
30	838-77159-00-00	. CLAMP, ROD	1	
31	(838-77210-01-00)	WINDSHIELD	1	
32	(838-77220-00-00)	TRIM LOWER ASSEMBLY	1	
33	90201-05036-00	WASHER, PLATE	7	
34	95701-05300-00	NUT, NYLON	7	
35	288-21659-00-00	LABEL, SAFETY	1	
36	90465-06013-00	CLAMP	1	



Property of www.SmallEngineDiscount.com - Not for Resale

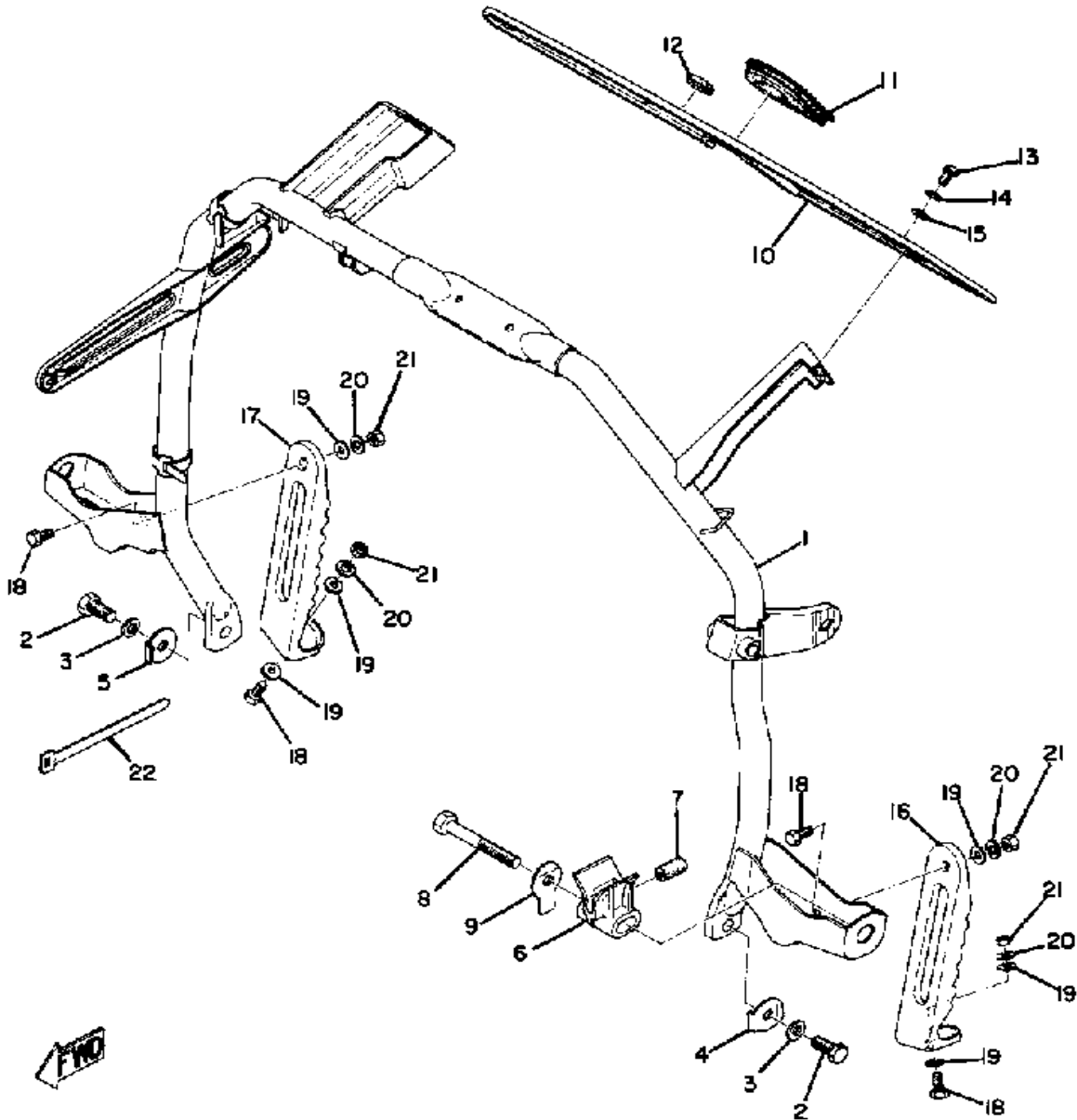
ENGINE BRACKET



Ref. No.	Part Number	Description	Qty	Remarks
1	(834-21411-00-00)	BRACKET, ENGINE 1	1	
2	(90116-10084-00)	BOLT, STUD	4	
3	(90215-10076-00)	WASHER, LOCK	4	
4	95303-10600-00	NUT (95301-10600)	4	
5	(835-21419-00-00)	BRACKET, ENGINE 2	1	
6	(835-21429-00-00)	BRACKET, ENGINE 3	1	
7	(834-21484-00-00)	BOLT, ENG MNTNG 4	4	
8	90185-10030-00	NUT, SELF-LOCKING	4	
9	(90106-10015-00)	BOLT, DOME HEAD	2	
10	(90101-10057-00)	BOLT	2	
11	90208-10013-00	WASHER, CONICAL SPR	4	
12	(834-21475-00-00)	PLATE, ENGINE ADJUSTING	2	
13	95380-06600-00	NUT	2	
14	95380-06700-00	NUT	2	
15	(829-77311-00-00)	GUARD, DRIVE	1	
16	(829-77314-00-00)	ARM, FITTING	1	
17	(829-77315-00-00)	BRACKET 1	1	
18	99009-06600-00	CIRCLIP	1	
19	(829-77324-00-00)	KNOB	1	
20	90501-16103-00	SPRING, COMPRESSION	1	
21	90201-06063-00	WASHER, PLATE	1	
22	91609-40018-00	PIN, SPRING	1	

Property of www.SmallEngineDiscount.com - Not for Resale

STEERING GATE

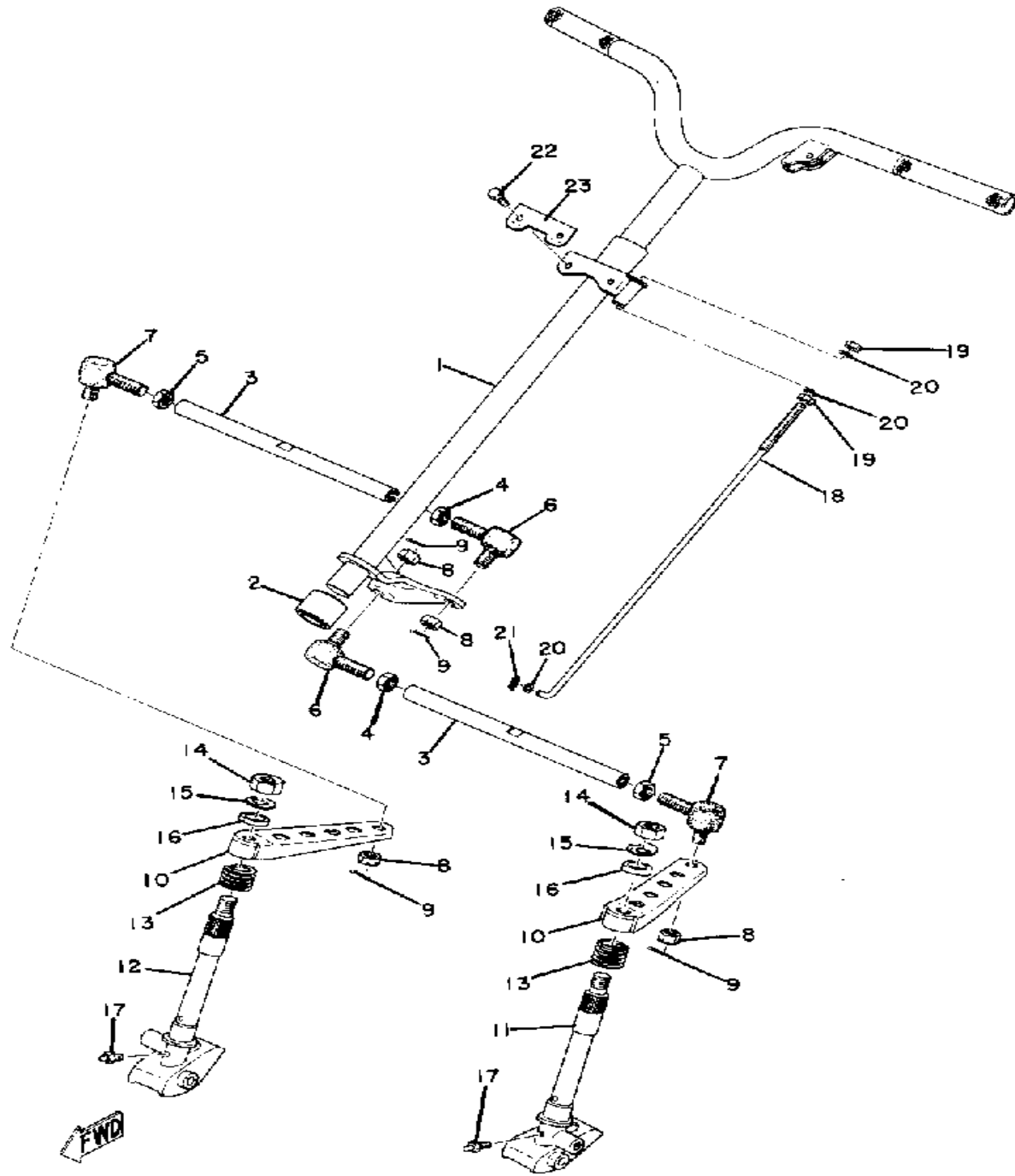


Ref. No.	Part Number	Description	Qty	Remarks
1	(847-23871-00-00)	GATE, STEERING	1	
2	97026-08018-00	BOLT	2	
3	90201-08624-00	WASHER, PLATE	2	
4	(861-23895-00-00)	WASHER, LOCK 2	1	
5	(90215-08066-00)	WASHER, LOCK	1	
6	(90464-09003-00)	CLAMP	2	
7	821-77188-01-00	STOPPER	2	
8	90101-08039-00	BOLT (810-77537-00)	2	
9	(90215-08039-00)	WASHER, LOCK	2	
10	(835-77711-00-00)	PANEL, INSTRUMENT	1	
11	(834-77746-00-00)	GROMMET	1	
12	(102-82598-00-00)	GROMMET	1	
13	97006-05010-00	BOLT (97206-05010)	1	
14	92906-05100-00	WASHER, SPRING	1	
15	92906-05200-00	WASHER, PLAIN	1	
16	(810-27411-00-00)	FOOTREST 1	1	
17	(810-27421-00-00)	FOOTREST 2	1	
18	97013-06012-00	BOLT	4	
19	92990-06200-00	WASHER	6	
20	92995-06100-00	WASHER, SPRING	4	
21	95380-06600-00	NUT	4	
22	437-83936-11-00	BAND, SWITCH CORD	4	

Property of www.SmallEngineDiscount.com - Not for Resale

C10

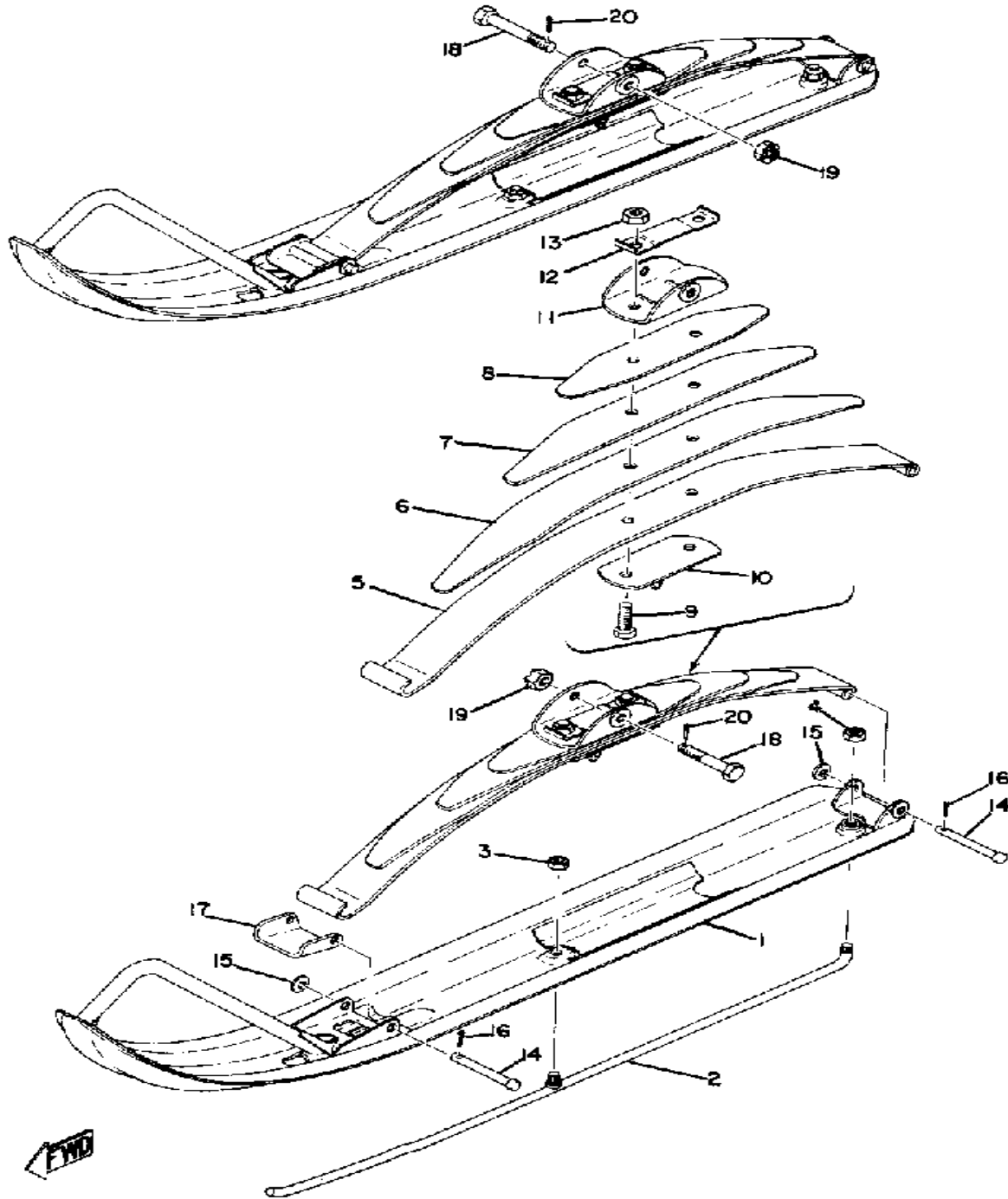
STEERING



Ref. No.	Part Number	Description	Qty	Remarks
1	(826-23811-00-00)	COLUMN, STEERING	1	
2	(806-23875-00-00)	BEARING, STRG LOWER	1	
3	(826-23821-00-00)	ROD, STEERING RELAY	2	
4	90170-12055-00	NUT	2	
5	90170-12054-00	NUT	2	
6	(821-23841-90-00)	JOINT, UNIVERSAL 1	2	
7	(821-23845-90-00)	JOINT, UNIVERSAL 2	2	
8	90171-10002-00	NUT, CASTLE	4	
9	91401-25030-00	PIN, COTTER	4	
10	(810-23851-00-00)	ARM, OUTSIDE 1	2	
11	810-23853-00-00	COLUMN, SKI 1	1	
12	810-23854-00-00	COLUMN, SKI 2	1	
13	90501-35154-00	SPRING, COMPRESSION	2	
14	95306-12600-00	NUT	2	
15	90215-12031-00	WASHER, LOCK (810-23857-00)	2	
16	90560-20037-00	SPACER	2	
17	93700-06M03-00	NIPPLE, GREASE	2	
18	(810-23861-00-00)	BAR, TENSION	1	
19	95316-06700-00	NUT 54G	2	
20	92906-06200-00	WASHER	3	
21	90468-10050-00	CLIP	1	
22	97016-06020-00	BOLT	2	
23	(810-23894-00-00)	WASHER, LOCK 1	1	

Property of www.SmallEngineDiscount.com - Not for Resale

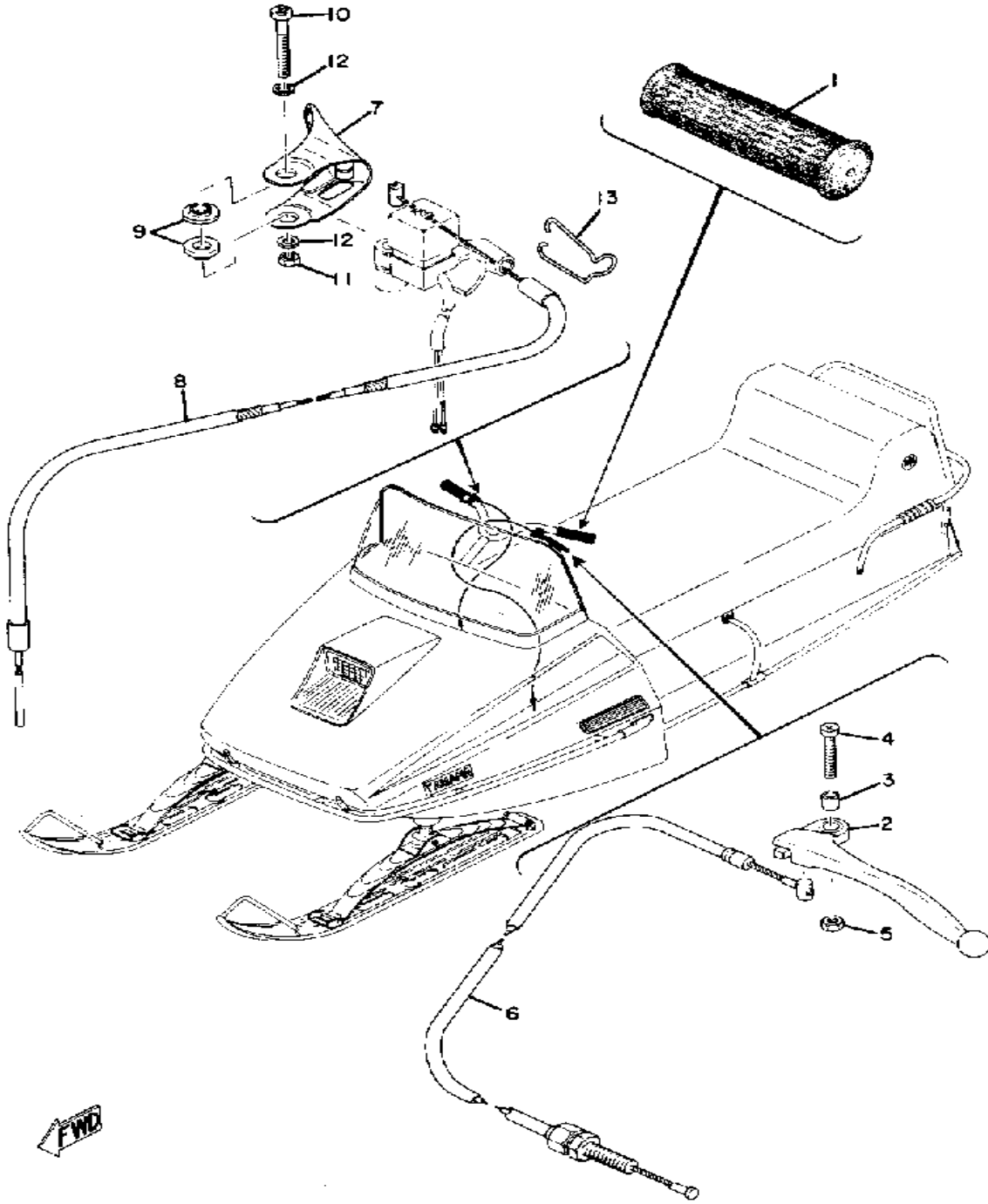
SKI



Ref. No.	Part Number	Description	Qty	Remarks
1	(838-23710-01-00)	SKI 1	2	
2	838-23731-03-00	RUNNER 1	2	
3	95316-08700-00	NUT (2GV)	2	
4	95336-08600-00	NUT	2	
5	834-23761-00-00	. LEAF 1	2	
6	(834-23762-00-00)	LEAF 2	2	
7	(834-23763-00-00)	LEAF 3	2	
8	(834-23764-00-00)	LEAF 4	2	
9	90101-10060-00	. BOLT	4	
10	802-23768-00-00	. SEAT, SPRING 1	2	
11	806-23766-00-00	. SADDLE 1	2	
12	90209-10069-00	. WASHER, SPEC'L SHAP ...	2	
13	95336-10600-00	. NUT	4	
14	90240-08035-00	PIN, CLEVIS (801-23733-00) ...	4	
15	92906-08200-00	WASHER	4	
16	91401-30020-00	PIN, COTTER	4	
17	802-23735-00-00	PLATE, WEAR 1	2	
18	90102-10023-00	BOLT, WITH HOLE	2	
19	95306-10900-00	NUT, SLOTTED	2	
20	91490-20025-00	PIN, SPLIT	2	
-1	(834-23760-00-00)	SPRING ASSEMBLY 1	1	
-2	(834-23770-00-00)	SPRING ASSEMBLY 2	1	

Property of www.SmallEngineDiscount.com - Not for Resale

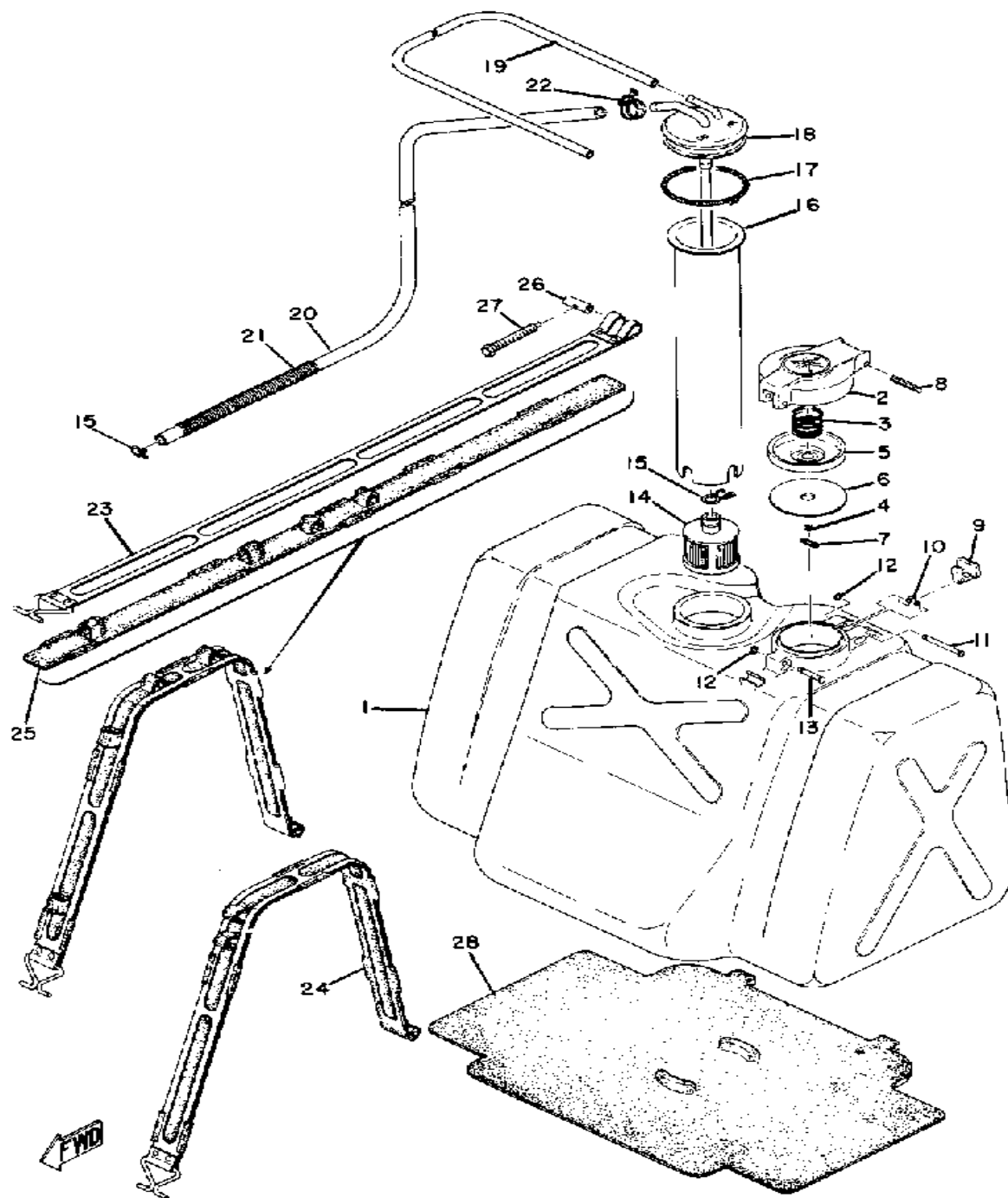
GRIP-WIRING



Ref. No.	Part Number	Description	Qty	Remarks
1	801-26241-01-00	GRIP	2	
2	803-83912-00-38	LEVER 1	1	
3	802-83913-00-00	COLLAR, LEVER 1	1	
4	90157-05006-00	SCREW, PAN HEAD (803-83915-00)	1	
5	95311-05700-00	NUT	1	
6	(835-26340-00-00)	CABLE, BRAKE	1	
7	99999-01028-00	THROTTLE LEVER	1	
8	810-26311-00-00	CABLE, THROTTLE 1	1	
9	90387-062M9-00	COLLAR	2	
10	90157-06004-00	SCREW, PAN HEAD (810-83925-00)	1	
11	95380-06700-00	NUT	1	
12	92990-06200-00	WASHER	2	
13	90468-10017-00	CLIP (821-26391-00)	1	

Property of www.SmallEngineDiscount.com - Not for Resale

FUEL TANK

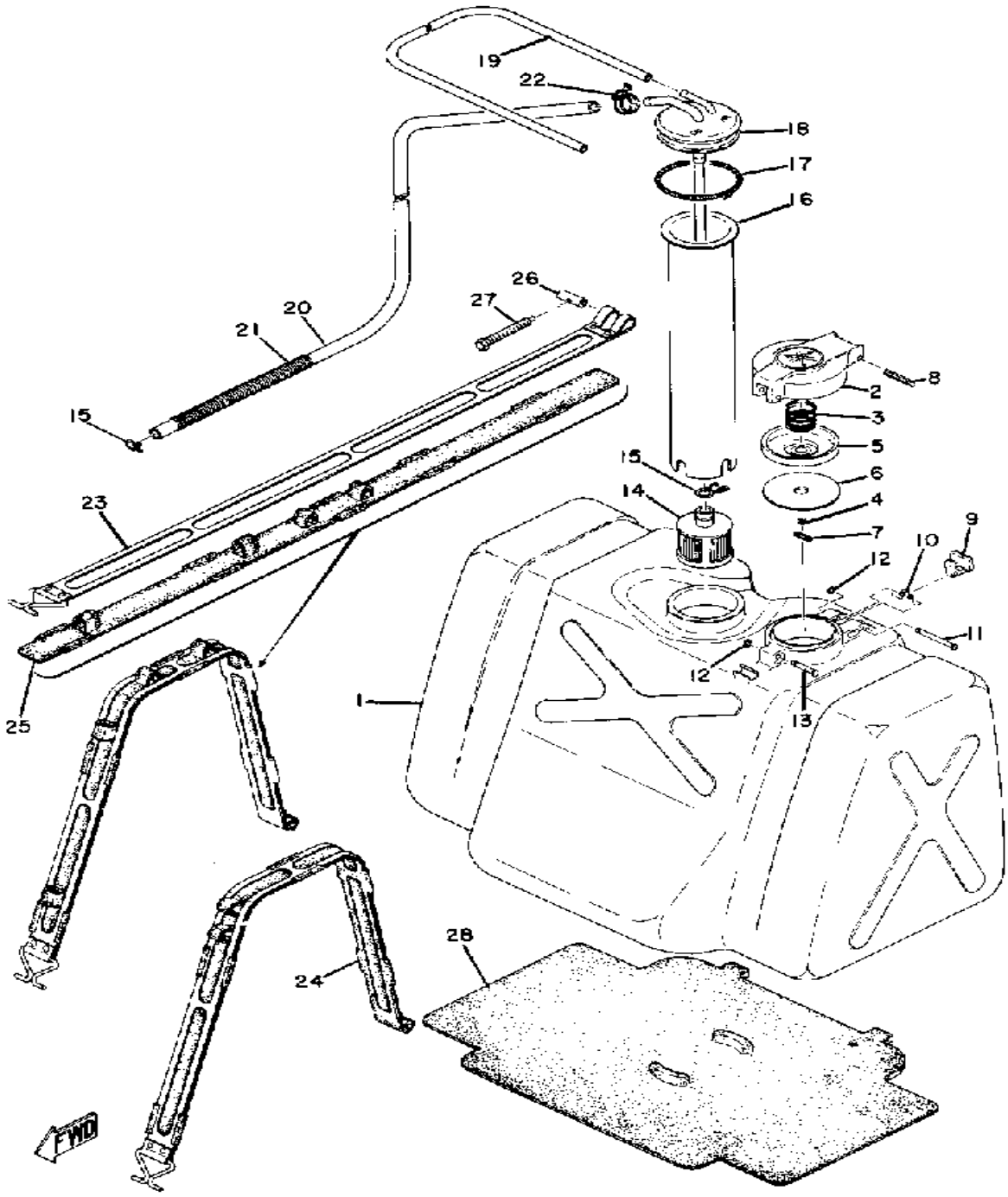


Ref. No.	Part Number	Description	Qty	Remarks
1	838-24111-02-00	FUEL TANK (838-24111-01)	1	
2	813-24611-01-00	BODY, CAP	1	
3	90501-20130-00	SPRING, COMPRESSION	1	
4	93210-04122-00	O-RING	1	
5	813-24613-01-00	DISC, CAP	1	
6	256-24612-00-00	GASKET, CAP	1	
7	91609-30016-00	PIN, SPRING	1	
8	91609-25032-00	PIN, SPRING	1	
9	83M-24628-00-00	HOOK	1	
10	90508-08003-00	SPRING, TORSION (813-24637-00)	1	
11	90249-03017-00	PIN	1	
12	93430-02001-00	CIRCLIP	2	
13	90249-03016-00	PIN, SPEC'L SHAPE	1	
14	8H5-24560-00-00	FILTER ASSEMBLY	1	
15	90467-11009-00	CLIP	2	
16	838-24336-00-00	PIPE, SUCTION 2	1	
17	90506-06065-00	SPRING, TENSION	1	
18	838-24335-00-00	PIPE, SUCTION 1	1	
19	90446-09015-00	HOSE	1	
20	(826-24311-00-00)	PIPE, FUEL 1	1	
21	806-24328-00-00	PROTECTOR, PIPE	1	
22	90460-11002-00	CLAMP, HOSE	1	
23	838-24173-00-00	BAND, TNK FITTING 1	2	
24	(838-24183-00-00)	DAMPER, LOCATING 3	1	
25	(838-24184-00-00)	DAMPER, LOCATING 4	1	
26	806-24135-00-00	CLAMP 1	2	
27	90149-05006-00	SCREW, SPEC'L SHAPE (821-24176-00)	2	

CONTINUED ON NEXT FRAME ►

Property of www.SmallEngineDiscount.com - Not for Resale

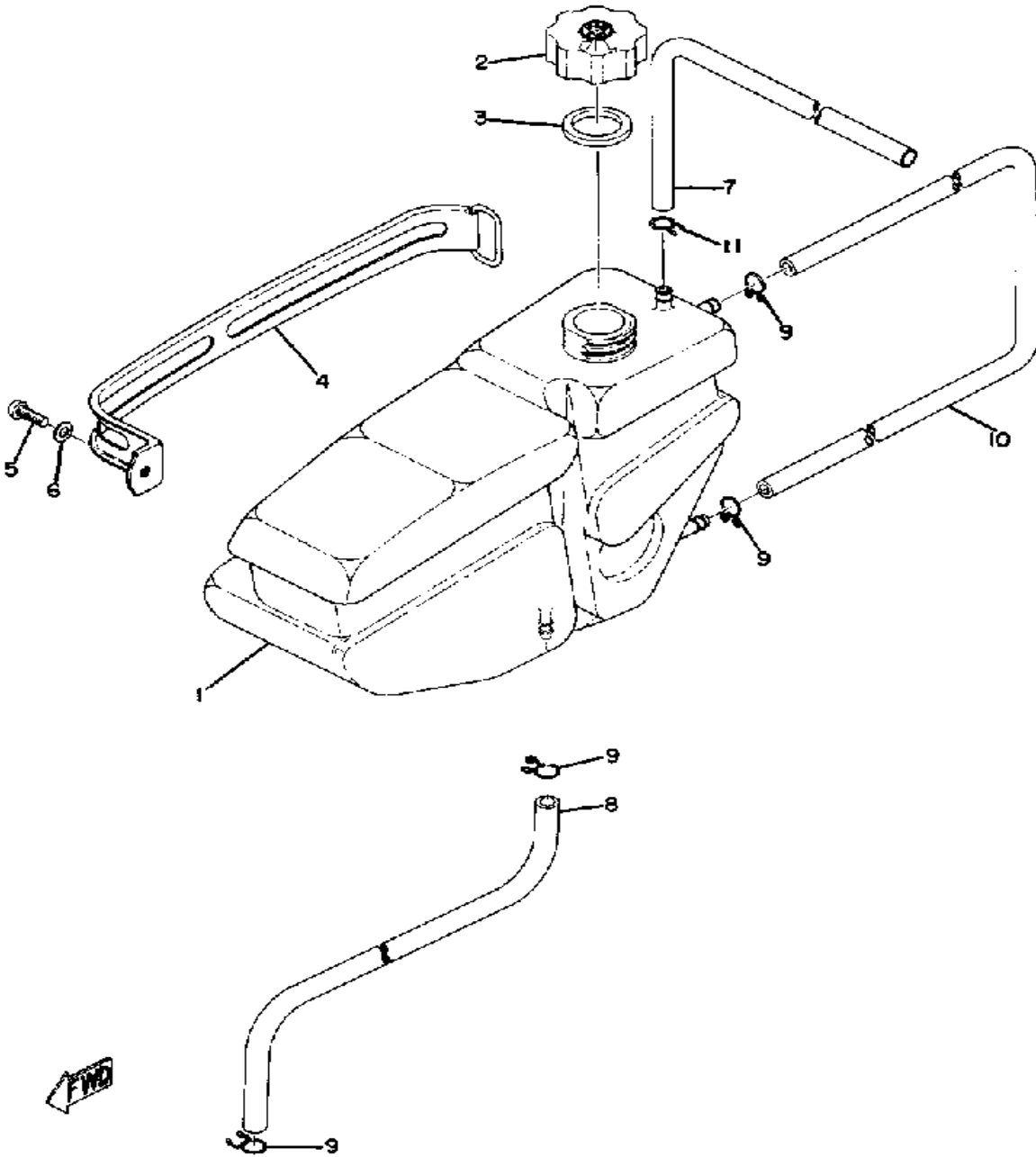
FUEL TANK



Ref. No.	Part Number	Description	Qty	Remarks
28	(838-24181-00-00)	DAMPER, LOCATING 1 1	

Property of www.SmallEngineDiscount.com - Not for Resale

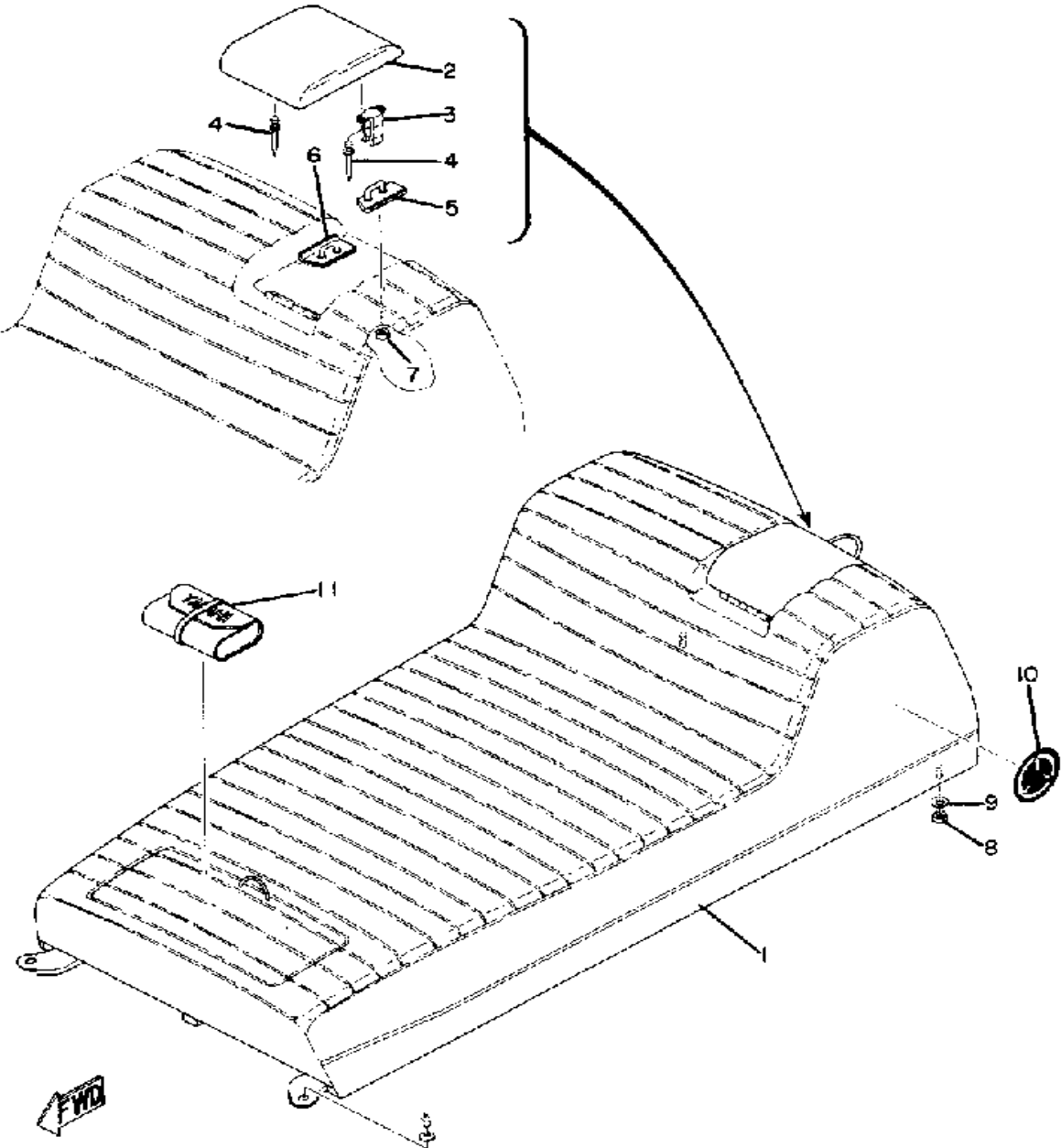
OIL TANK



Ref. No.	Part Number	Description	Qty	Remarks
1	(838-21751-00-00)	TANK, OIL	1	
2	296-21771-62-00	BODY, CAP	1	
3	296-21772-00-00	GASKET, CAP	1	
4	810-21776-00-00	BAND, TANK FITTING	1	
5	98580-05016-00	SCREW, PAN HEAD	1	
6	92990-05200-00	WASHER, PLAIN	1	
7	(810-21745-00-00)	PIPE, OIL TNK BRTHR	1	
8	90446-09015-00	HOSE	1	
9	90467-09005-00	CLIP, SCISSOR	4	
10	(847-21792-01-00)	GAUGE, OIL	1	
11	(844-21755-00-00)	CLAMP, DAMPER	1	

Property of www.SmallEngineDiscount.com - Not for Resale

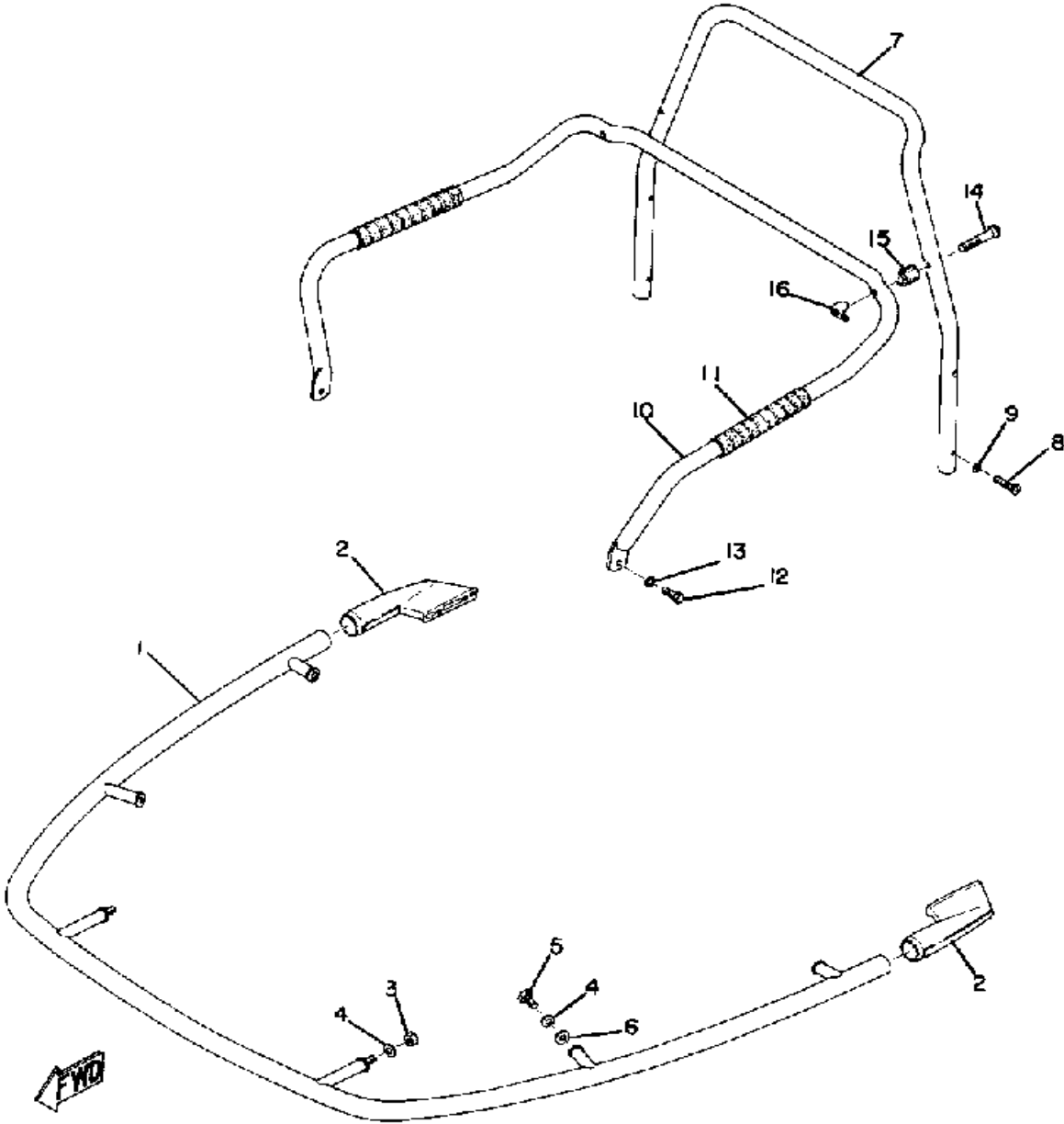
SEAT



Ref. No.	Part Number	Description	Qty	Remarks
1	838-24730-00-00	DOUBLE SEAT ASSEMBLY ...	1	
2	838-24765-00-00	. LID, DOUBLE SEAT	1	
3	(821-24794-00-00)	SPRING, SEAT BACK	2	
4	(90267-32017-00)	RIVET, BLIND	7	
5	(838-24793-00-00)	PIN	1	
6	(838-24784-00-00)	PIN	1	
7	95380-06700-00	. NUT	4	
8	90185-08054-00	NUT, SELF-LOCKING (619-42546-00)	2	
9	90208-08011-00	WASHER, CONICAL SPRING ..	2	
10	821-77352-00-00	EMBLEM 2	2	
11	(821-28100-10-00)	TOOL KIT	1	
1-1	838-24731-00-00	. COVER, DOUBLE SEAT	1	

Property of www.SmallEngineDiscount.com - Not for Resale

BUMPER

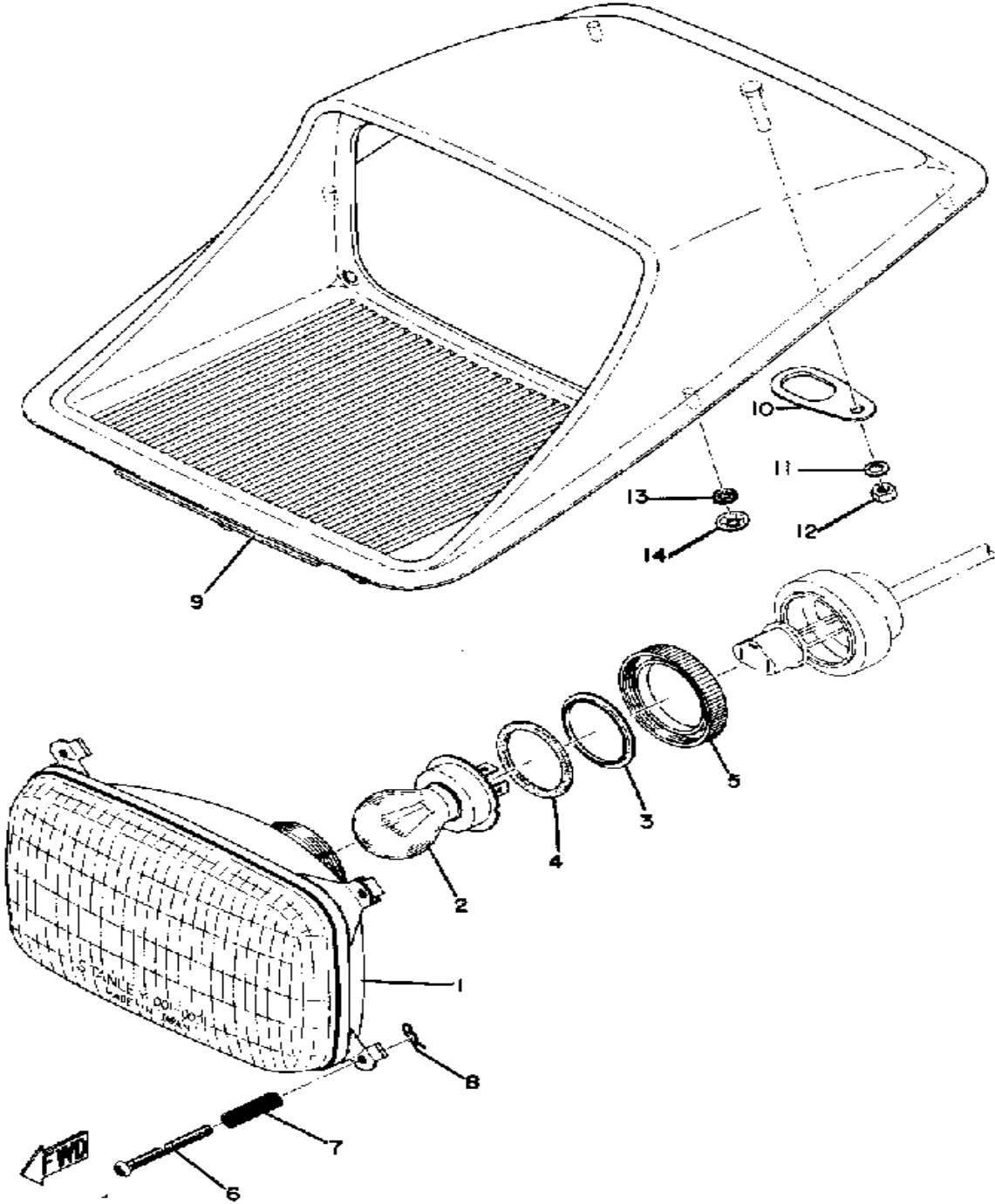


Ref. No.	Part Number	Description	Qty	Remarks
1	(838-77510-00-00)	FRONT BUMPER	1	
2	838-77523-00-00	END, BUMPER	2	
3	95333-08600-00	NUT	2	
4	92990-08100-00	WASHER	4	
5	97313-08016-00	BOLT, HEXAGON	2	
6	92990-08200-00	WASHER, PLAIN	2	
7	838-77541-00-00	BUMPER, REAR 1	1	
8	90152-06003-00	SCREW, COUNTERSUNK	4	
9	92990-06500-00	WASHER	4	
10	(838-77571-00-00)	GRIP, ASSIST 1	1	
11	838-77575-00-00	COVER, ASSIST GRIP	2	
12	97013-06012-00	BOLT	2	
13	92995-06100-00	WASHER, SPRING	2	
14	90149-06054-00	SCREW, SPEC'L SHAPE	2	
15	(806-77515-00-00)	BUSH, RUBBER 1	2	
16	806-77573-00-00	NUT, SPECIAL	2	

Property of www.SmallEngineDiscount.com - Not for Resale

D6

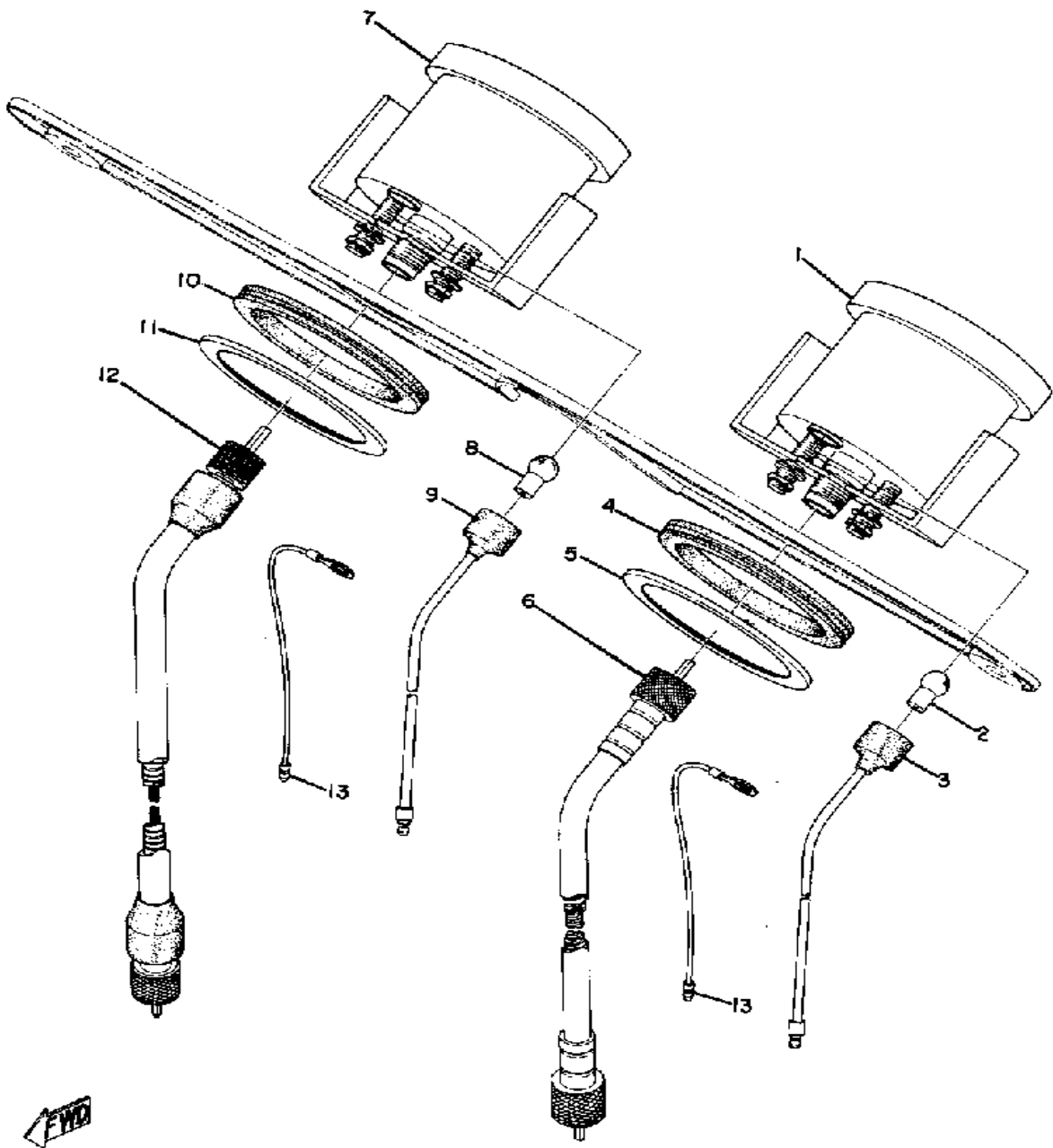
HEAD LAMP



Ref. No.	Part Number	Description	Qty	Remarks
1	(838-84320-01-00)	LENS ASSEMBLY	1	
2	838-84314-00-00	. BULB, HEADLIGHT	1	
3	838-84328-00-00	. SPACER	1	
4	838-84327-00-00	. WASHER, SPECIAL	1	
5	838-84317-00-00	. NUT	1	
6	8M6-84331-00-00	. SCREW, RIM ADJUSTING (8A5-84331-00-00)	4	
7	8A5-84332-00-00	. SPRING, SCREW	4	
8	(807-84351-00-00)	CLAMP, CORD	4	
9	(838-84311-00-00)	BODY, HEADLIGHT	1	
10	(90464-16009-00)	CLAMP	1	
11	92906-05100-00	WASHER, SPRING	1	
12	95306-05600-00	NUT	1	
13	838-77143-00-00	EMBLEM 3	3	
14	90183-05003-00	NUT, SPRING	4	
-1	(838-84320-01-00)	LENS ASSEMBLY	1	

Property of www.SmallEngineDiscount.com - Not for Resale

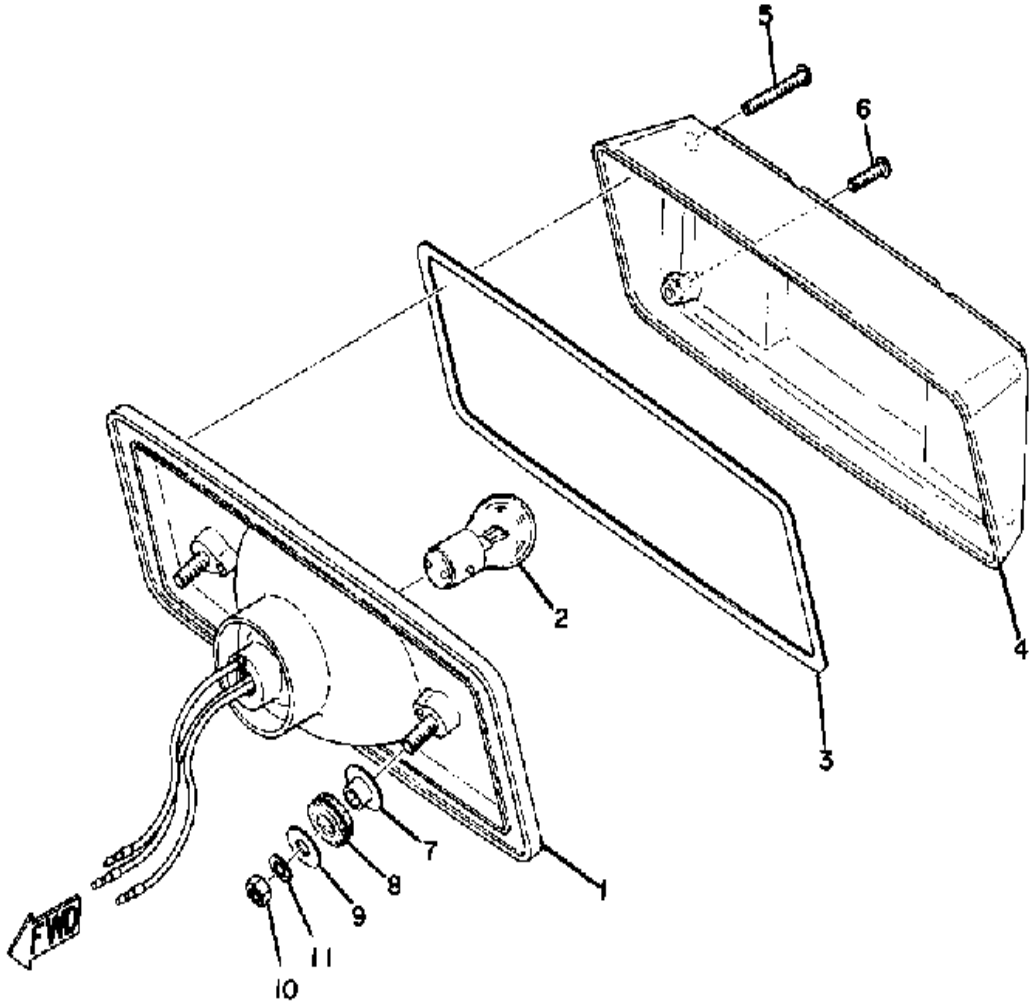
SPEEDOMETER-TACHOMETER



Ref. No.	Part Number	Description	Qty	Remarks
1	821-83510-40-00	SPEEDOMETER ASSEMBLY ..	1	
2	256-84347-00-00	. BULB	1	
3	(803-83536-10-00)	SOCKET, METER	1	
4	(809-83513-00-00)	DAMPER	1	
5	(803-83577-00-00)	PLATE, FITTING	1	
6	813-83550-01-00	SPEEDOMETER CABLEASS'Y	1	
7	(811-83540-00-00)	TACHOMETER ASSEMBLY ...	1	
8	256-84347-00-00	. BULB	1	
9	(811-83536-00-00)	SOCKET, METER	1	
10	(809-83513-00-00)	DAMPER	1	
11	(803-83577-00-00)	PLATE, FITTING	1	
12	819-83560-01-00	TACHOMETER CABLE	1	
13	(842-83571-00-00)	CASE, SPDMTR UPPER	2	

Property of www.SmallEngineDiscount.com - Not for Resale

TAIL LAMP

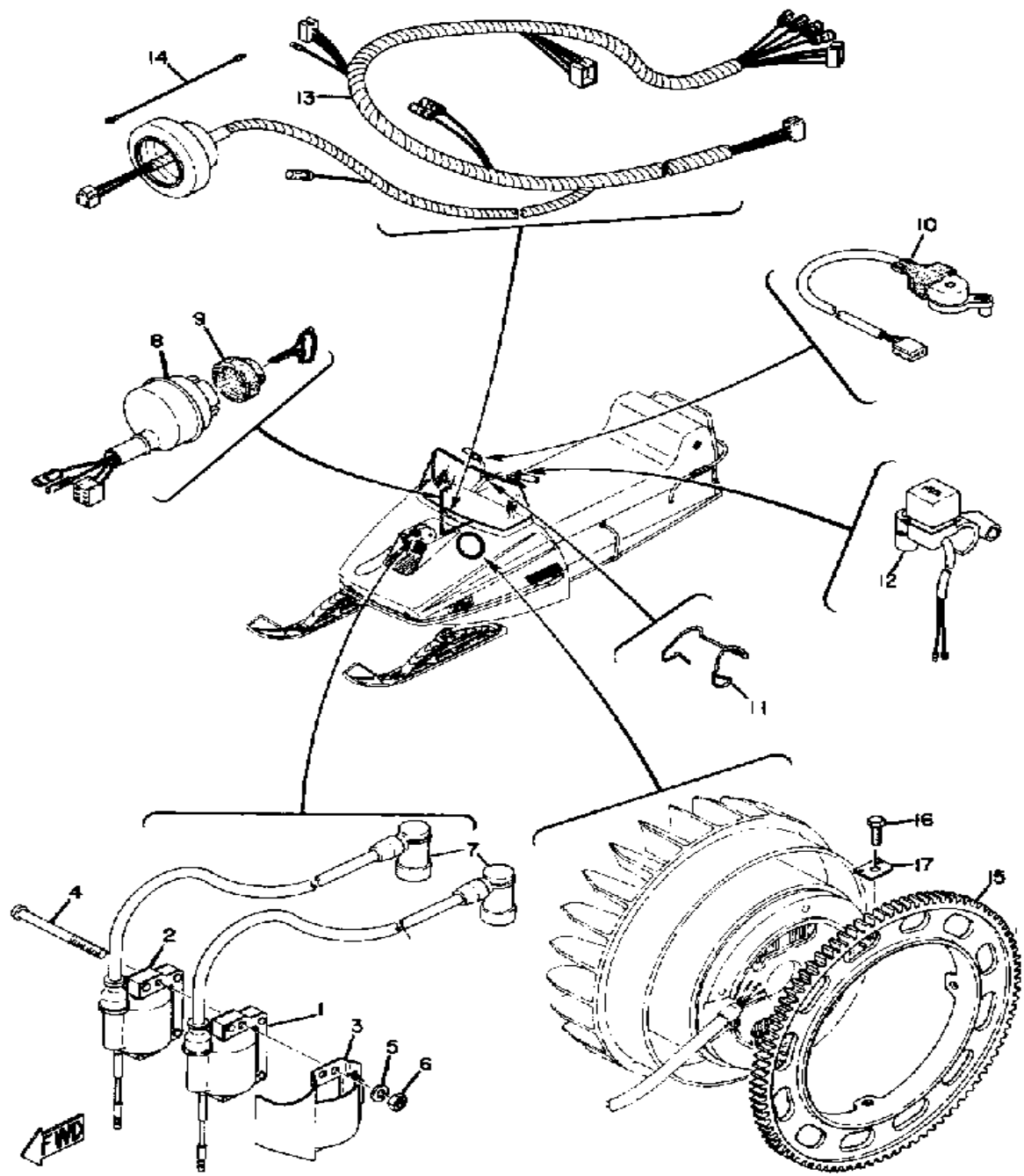


Ref. No.	Part Number	Description	Qty	Remarks
1	853-84710-00-00	. TAILLIGHT UNIT ASSEMBLY .	1	
2	137-84714-61-00	. BULB, TL 12V23/8W (J50-83311-00)	1	
3	821-84712-00-00	. SEAT, BASE	1	
4	821-84721-00-00	. LENS, TAILLIGHT	1	
5	98511-04030-00	. SCREW, PAN HEAD	2	
6	98503-04014-00	. SCREW, PAN HEAD	2	
7	90387-06024-00	COLLAR	2	
8	(90480-14075-00)	GROMMET	2	
9	90201-06057-00	WASHER, PLATE	2	
10	95380-06600-00	NUT	2	
11	92995-06100-00	WASHER, SPRING	2	
-1	853-84710-00-00	TAILLIGHT UNIT ASSEMBLY . .	1	

HEADLIGHT/TAILLIGHT RATINGS	12V 60/60W	12V 8W/23W

Property of www.SmallEngineDiscount.com - Not for Resale

ELECTRICAL



Ref. No.	Part Number	Description	Qty	Remarks
1	(847-82310-40-00)	IGNITION COIL ASSEMBLY ...	1	
2	(847-82320-40-00)	IGNITION COIL ASSEMBLY ...	1	
3	(838-82314-00-00)	COVER, IGNITN COIL	1	
4	98506-06070-00	SCREW, PAN HEAD	2	
5	92906-06100-00	WASHER, SPRING	2	
6	95316-06600-00	NUT	2	
7	663-82370-01-00	PLUG CAP ASSEMBLY	2	
8	(838-82508-20-00)	MAIN SWITCH ASSEMBLY ...	1	
9	806-82516-00-00	COLLAR, MAIN SWITCH	1	
10	822-82530-00-00	STOP SWITCH ASSEMBLY ...	1	
11	(841-82594-00-00)	CLAMP	1	
12	838-83976-00-00	UNAVAILABLE IN PRICE BOOK	1	
13	(847-82590-20-00)	WIRE HARNESS ASSEMBLY ..	1	
14	(838-82519-00-00)	WIRE, EARTH LEAD	1	
15	(834-81891-00-00)	GEAR, RING	1	
16	(90106-08004-00)	BOLT, DOME HEAD	4	
17	(90215-08071-00)	WASHER, LOCK	4	

Property of www.SmallEngineDiscount.com - Not for Resale

D10