



**YAMAHA**

**GENUINE**

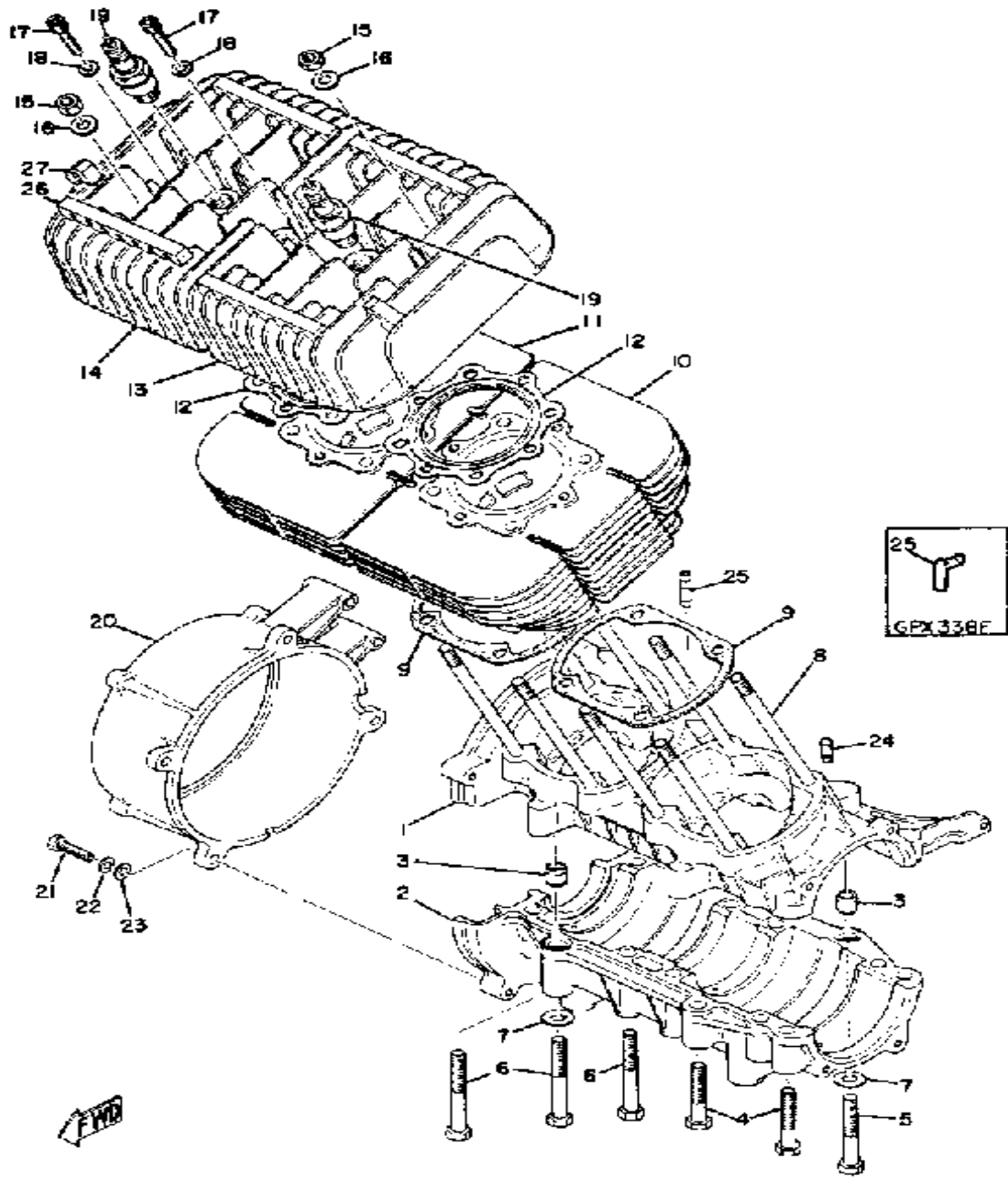
**PARTS CATALOGUE**

**SNOWMOBILE**

Property of [www.SmallEngineDiscount.com](http://www.SmallEngineDiscount.com) - Not for Resale

**A1**

# CRANKCASE - CYLINDER GPX338F - GPX

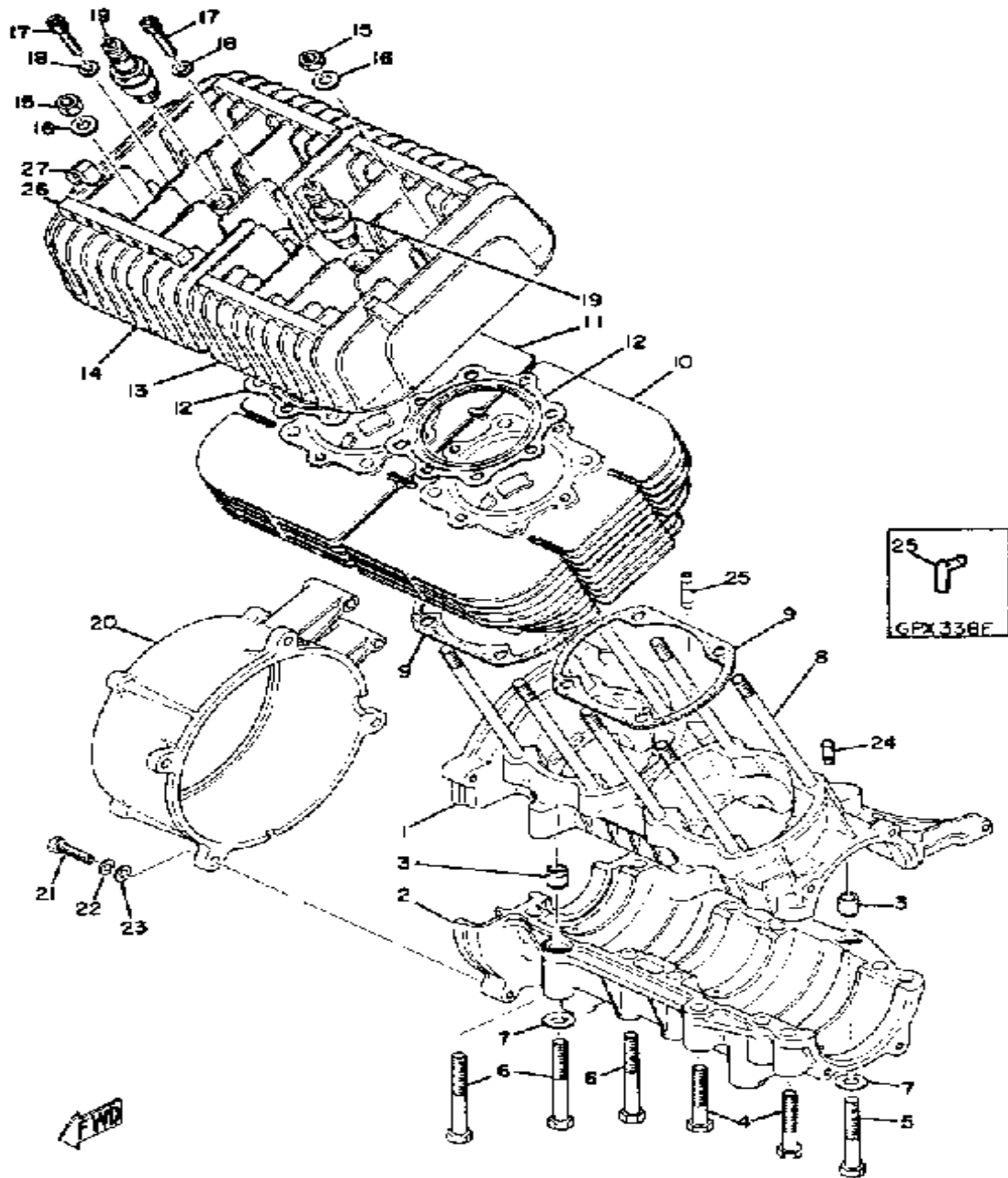


Ref. No.	Part Number	Description	Qty	Remarks
3	99510-12016-00	. PIN, DOWEL	2	
4	97313-08050-00	BOLT, HEXAGON (90101-08125)	6	
5	97013-08060-00	BOLT (663)	1	
6	97021-08070-00	BOLT	7	
7	92990-08200-00	WASHER, PLAIN	2	
8	90116-08079-00	BOLT, STUD	8	
9	846-11351-01-00	GASKET, CYLINDER	2	
	857-11351-00-00	GASKET, CYLINDER	2	
10	(878-11311-00-00)	CYLINDER 1	1	
	(879-11311-00-00)	CYLINDER 1	1	
11	(878-11321-00-00)	CYLINDER 2	1	
	(879-11321-00-00)	CYLINDER 2	1	
12	878-11181-00-00	GASKET, CYLINDER HEAD 1	2	
	879-11181-00-00	GASKET, CYLINDER HEAD 1	2	
13	(878-11111-09-00)	HEAD, CYLINDER 1	1	
	(879-11111-09-00)	HEAD, CYLINDER 1	1	
14	(878-11121-09-00)	HEAD, CYLINDER 2	1	
	(879-11121-09-00)	HEAD, CYLINDER 2	1	
15	95333-08600-00	NUT	8	
16	92990-08200-00	WASHER, PLAIN	8	
17	91318-08035-00	BOLT, SOCKET HEAD	8	
18	92990-08200-00	WASHER, PLAIN	8	
19	(CMP-N2G00-00-00)	CHAMPION N2G 10PK	2	
	NGK-B9EV0-00-00	PLUG, SPARK (NGK B9EV)	2	
20	878-15421-00-00	NO LONGER AVAILABLE	1	
21	97313-06030-00	BOLT, HEXAGON	4	
22	92995-06100-00	WASHER, SPRING	4	
23	92990-06200-00	WASHER	4	
24	J38-11116-00-00	JOINT, BREATHER	1	

CONTINUED ON NEXT FRAME ➤

Property of [www.SmallEngineDiscount.com](http://www.SmallEngineDiscount.com) - Not for Resale

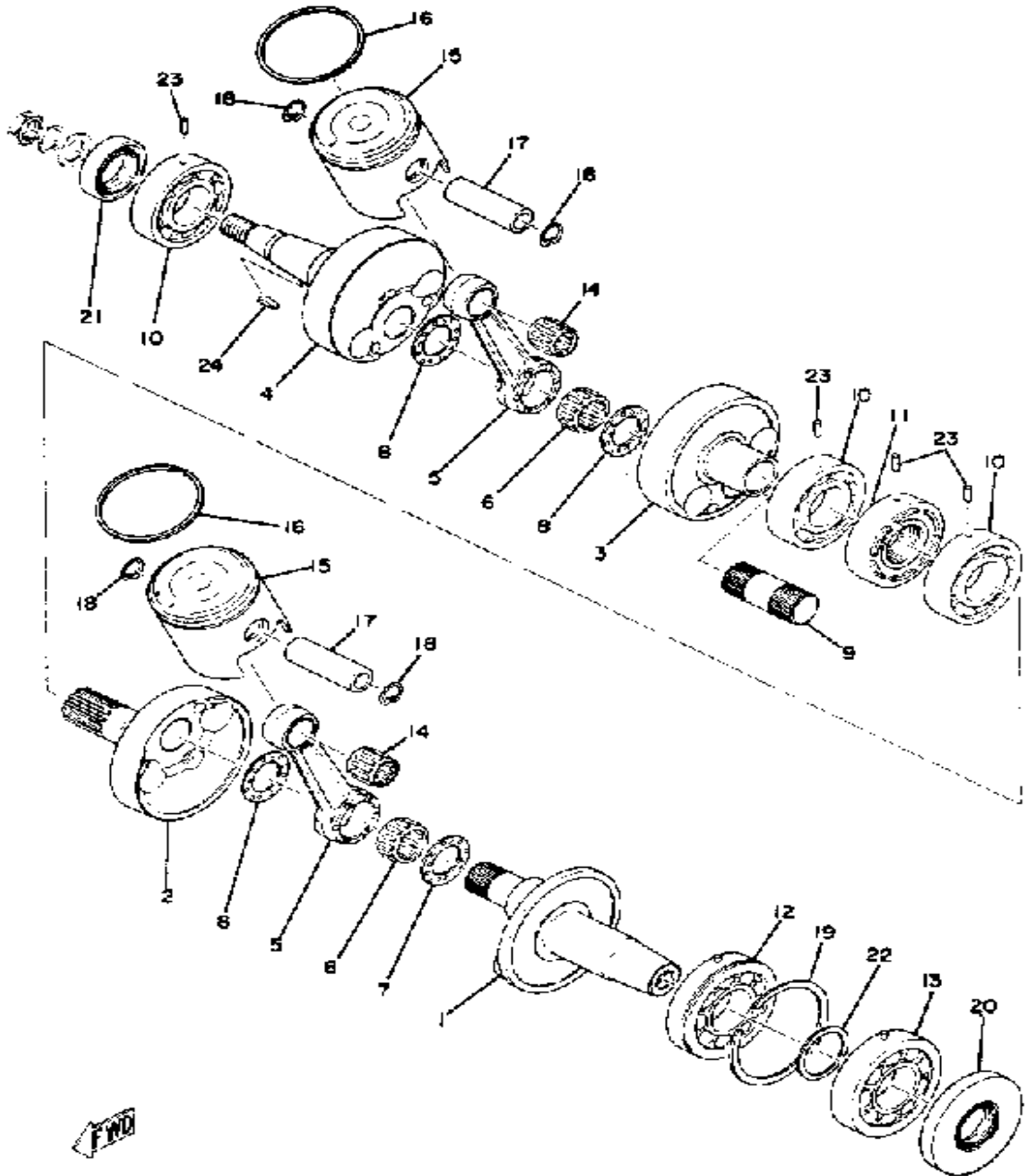
# CRANKCASE - CYLINDER GPX338F - GPX



Ref. No.	Part Number	Description	Qty	Remarks
25	8E4-24461-00-00	PIPE, JOINT .....	1	
	J38-11116-00-00	JOINT, BREATHER .....	1	
26	878-11161-00-00	ABSORBER 1 .....	4	
27	(878-11162-00-00)	ABSORBER 2 .....	2	
-1	(878-15100-00-00)	CRANKCASE ASSEMBLY ....	1	
	(879-15100-00-00)	CRANKCASE ASSEMBLY ....	1	

Property of [www.SmallEngineDiscount.com](http://www.SmallEngineDiscount.com) - Not for Resale

# CRANK - PISTON GPX338F - GPX433F

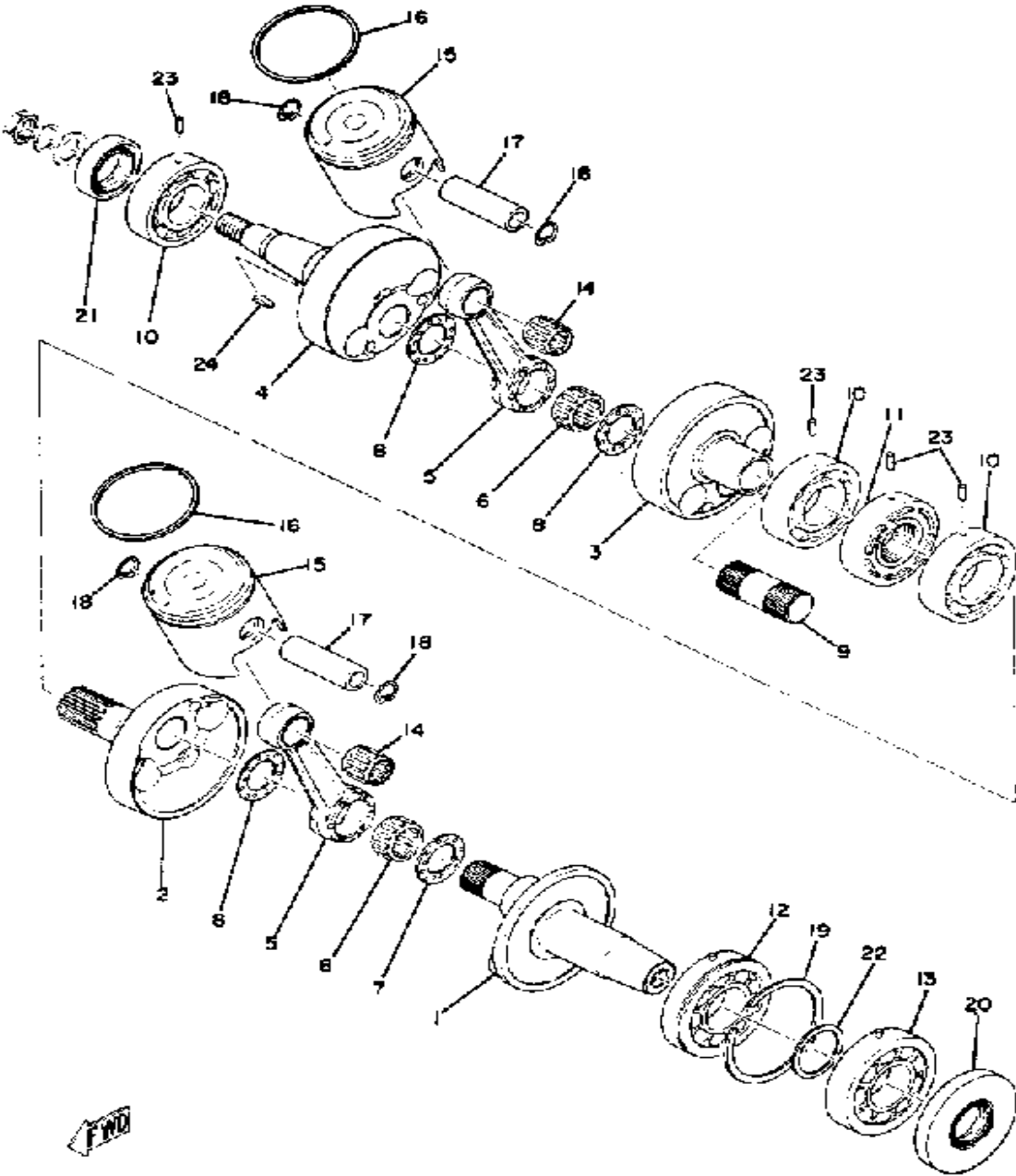


Ref. No.	Part Number	Description	Qty	Remarks
1	(878-11412-00-00)	CRANK 1 .....	1	
2	(878-11422-00-00)	CRANK 2 .....	1	
3	878-11432-00-00	. CRANK 3 .....	1	
4	(878-11442-00-00)	CRANK 4 .....	1	
5	8A7-11651-00-00	. ROD, CONNECTING (838-11651-00) .....	2	
6	93310-42497-00	. BEARING, CYLINDER.# 0 ...	2	
7	90209-24058-00	. WASHER, SPEC'L SHAP (878-11685-01) .....	1	
8	90209-24073-00	. WASHER .....	3	
9	(878-11681-00-00)	PIN, CRANK 1 .....	1	
10	93306-20633-00	. BEARING .....	3	
11	(168-11515-00-00)	SEAL, LABYRINTH 1 .....	1	
12	93306-30612-00	. BEARING (B6306) .....	1	
13	93306-30625-00	. BEARING .....	1	
14	93310-218A6-00	BEARING .....	2	
15	(878-11635-01-00)	PISTON 1 O/S 0.5 .....	2	ALT. PART
	(878-11636-01-00)	PISTON 2 O/S 0.0 .....	2	ALT. PART
	878-11631-01-96	PISTON STD .....	2	
	879-11631-00-96	PISTON STD .....	2	
	879-11635-00-00	PISTON 1 O/S 0.5 .....	2	ALT. PART
	879-11636-00-00	PISTON 2 O/S 0.0 .....	2	ALT. PART
16	820-11611-00-00	RING, PISTON (STD) .....	2	
	820-11611-10-00	RING, PISTON (1ST O.S) .....	2	ALT. PART
	820-11611-20-00	RING, PISTON (2ND O.S) .....	2	ALT. PART
	878-11611-00-00	RING, PISTON (STD) .....	2	
	878-11611-10-00	RING, PISTON (1ST O.S) .....	2	ALT. PART
	878-11611-20-00	RING, PISTON 2ND (2ND O.S) .	2	ALT. PART
17	168-11633-00-00	PIN, PISTON .....	2	

CONTINUED ON NEXT FRAME ►

Property of [www.SmallEngineDiscount.com](http://www.SmallEngineDiscount.com) - Not for Resale

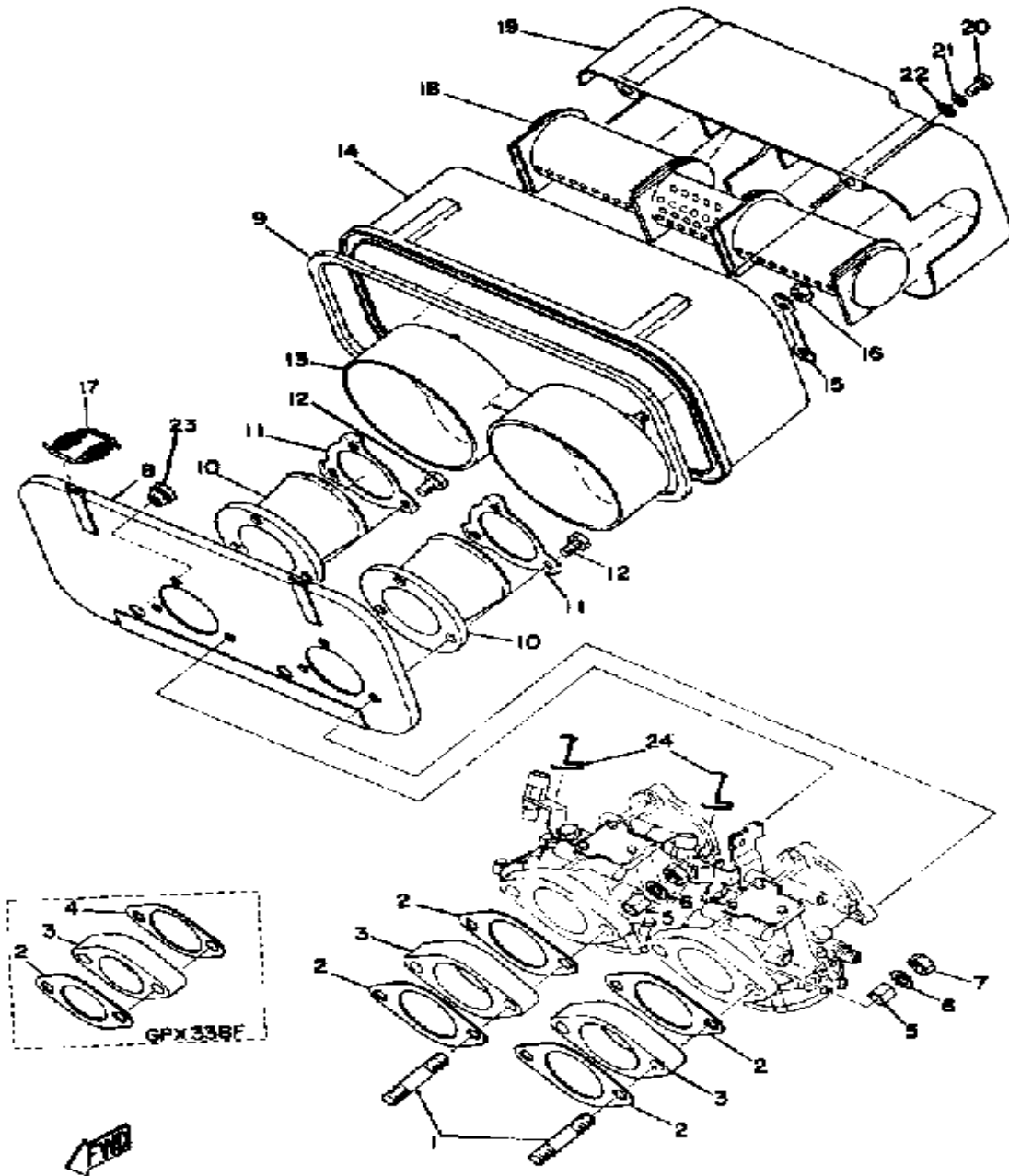
# CRANK - PISTON GPX338F - GPX433F



Ref. No.	Part Number	Description	Qty	Remarks
17	818-11633-00-00	PIN, PISTON .....	2	
18	93450-20026-00	CIRCLIP .....	4	
19	93440-78011-00	CIRCLIP, OUTER .....	1	
20	93103-32095-00	OIL SEAL .....	1	
21	93103-32156-00	OIL SEAL .....	1	
22	90201-34683-00	WASHER, PLATE (90201-33299-00) .....	1	
23	93604-12037-00	PIN, DOWEL .....	4	
24	90280-05014-00	KEY, WOODRUFF .....	1	
-1	(878-11400-00-00)	CRANKSHAFT ASSEMBLY ...	1	

Property of [www.SmallEngineDiscount.com](http://www.SmallEngineDiscount.com) - Not for Resale

# INTAKE GPX338F - GPX433F



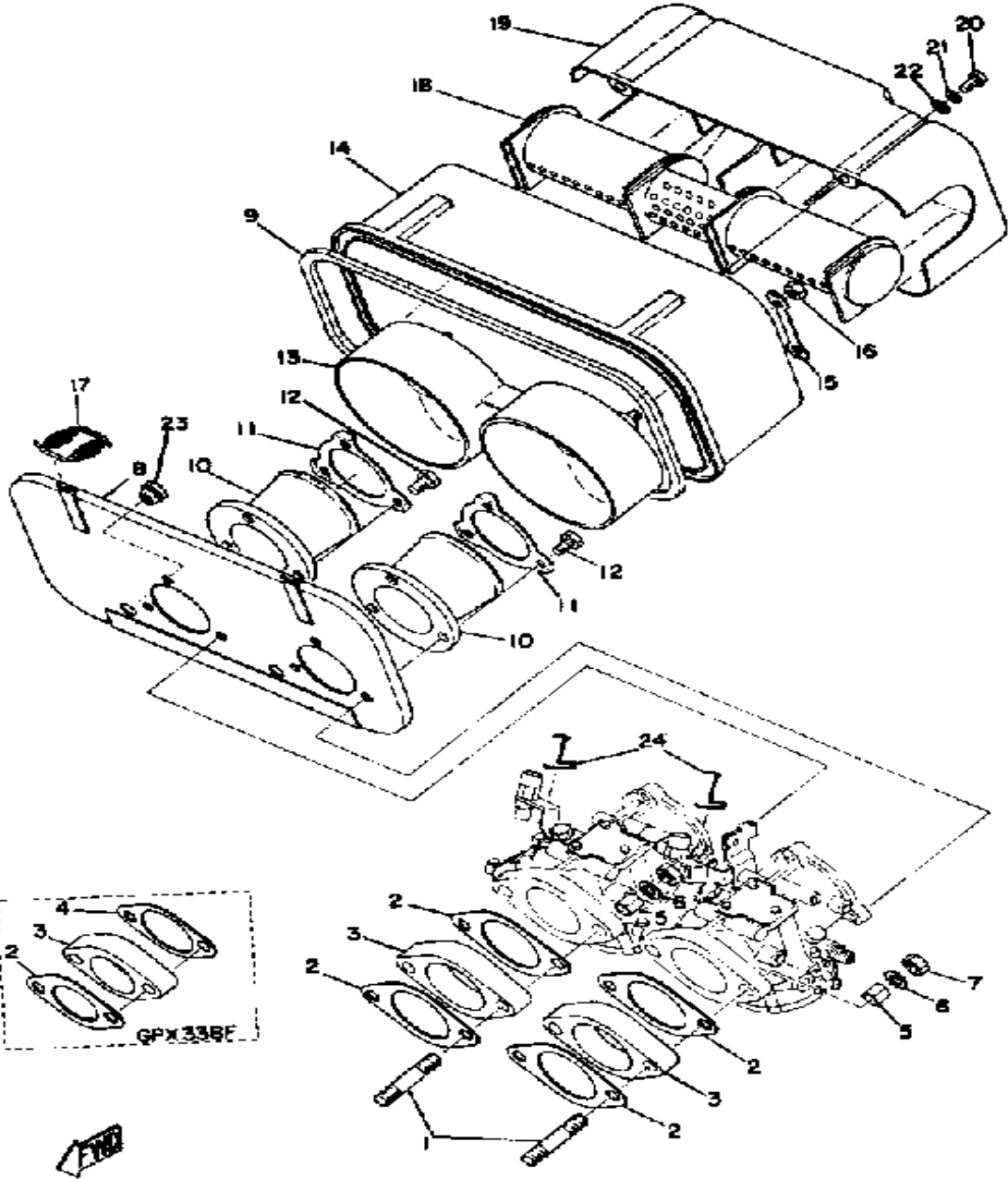
Ref. No.	Part Number	Description	Qty	Remarks
1	(90116-08052-00)	BOLT, STUD .....	4	
2	812-13556-70-00	GASKET, MANIFOLD .....	4	
	878-13556-00-00	GASKET, MANIFOLD .....	2	
3	(878-13565-00-00)	JOINT, CARBURETOR .....	2	
	879-13585-00-00	JOINT, CARBURETOR .....	2	
4	881-13556-00-00	GASKET, MANIFOLD .....	2	
5	(810-13576-00-00)	SPACER .....	4	
6	92990-08100-00	WASHER .....	4	
7	95303-08700-00	NUT .....	4	
8	(878-14477-00-00)	PLATE .....	1	
	(879-14477-00-00)	PLATE .....	1	
9	(878-14492-00-00)	DAMPER .....	1	
10	879-14479-00-00	FUNNEL .....	2	
11	90209-43074-00	WASHER, SPEC'L SHAP (844-14475-00) .....	2	
	90209-45075-00	WASHER, SPEC'L SHAP (847-14475-00) .....	2	
12	97013-06012-00	BOLT .....	6	
	97023-06020-00	BOLT (3XF) .....	6	
13	879-14432-00-00	SILENCER, INNER .....	1	
14	(879-14431-01-00)	SILENCER, INTAKE 1 .....	1	
	878-14431-01-00	SILENCER, INTAKE 1 .....	1	
15	879-14598-00-00	WASHER .....	2	
16	95380-06600-00	NUT .....	4	
17	90507-12041-00	SPRING, TENSION (90507-12014) .....	2	
18	878-14419-01-00	PIPE .....	1	
19	878-14441-01-00	SILENCER, INTAKE 2 .....	1	
20	92906-05200-00	WASHER, PLAIN .....	4	
21	92906-05100-00	WASHER, SPRING .....	4	

CONTINUED ON NEXT FRAME ►

Property of [www.SmallEngineDiscount.com](http://www.SmallEngineDiscount.com) - Not for Resale



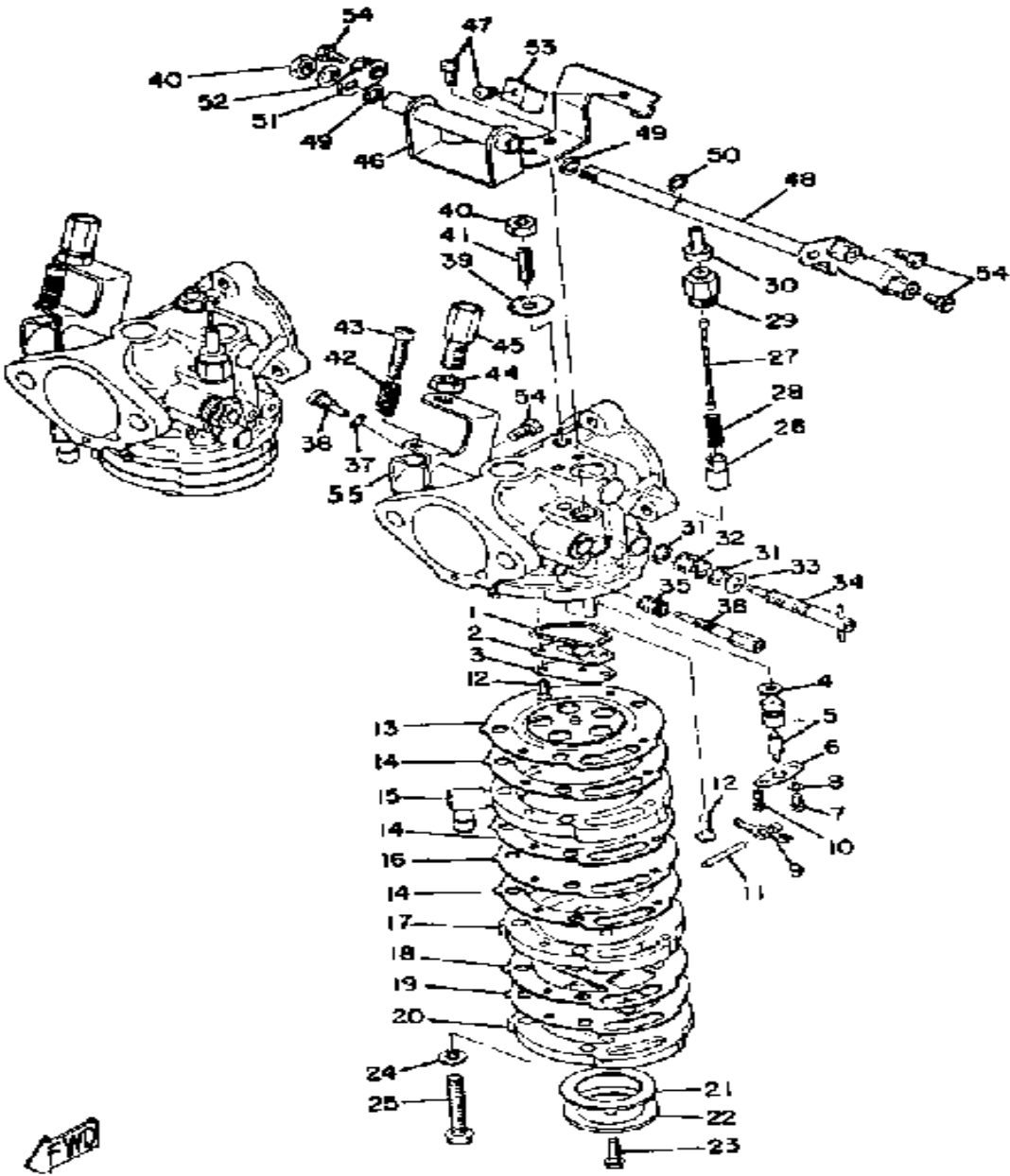
# INTAKE GPX338F - GPX433F



Ref. No.	Part Number	Description	Qty	Remarks
22	98516-05012-00	SCREW, PAN HEAD 4CG .....	4	
23	90480-12012-00	GROMMET .....	2	
24	90465-10033-00	CLAMP .....	2	

Property of [www.SmallEngineDiscount.com](http://www.SmallEngineDiscount.com) - Not for Resale

# CARBURETOR (GPX383F)



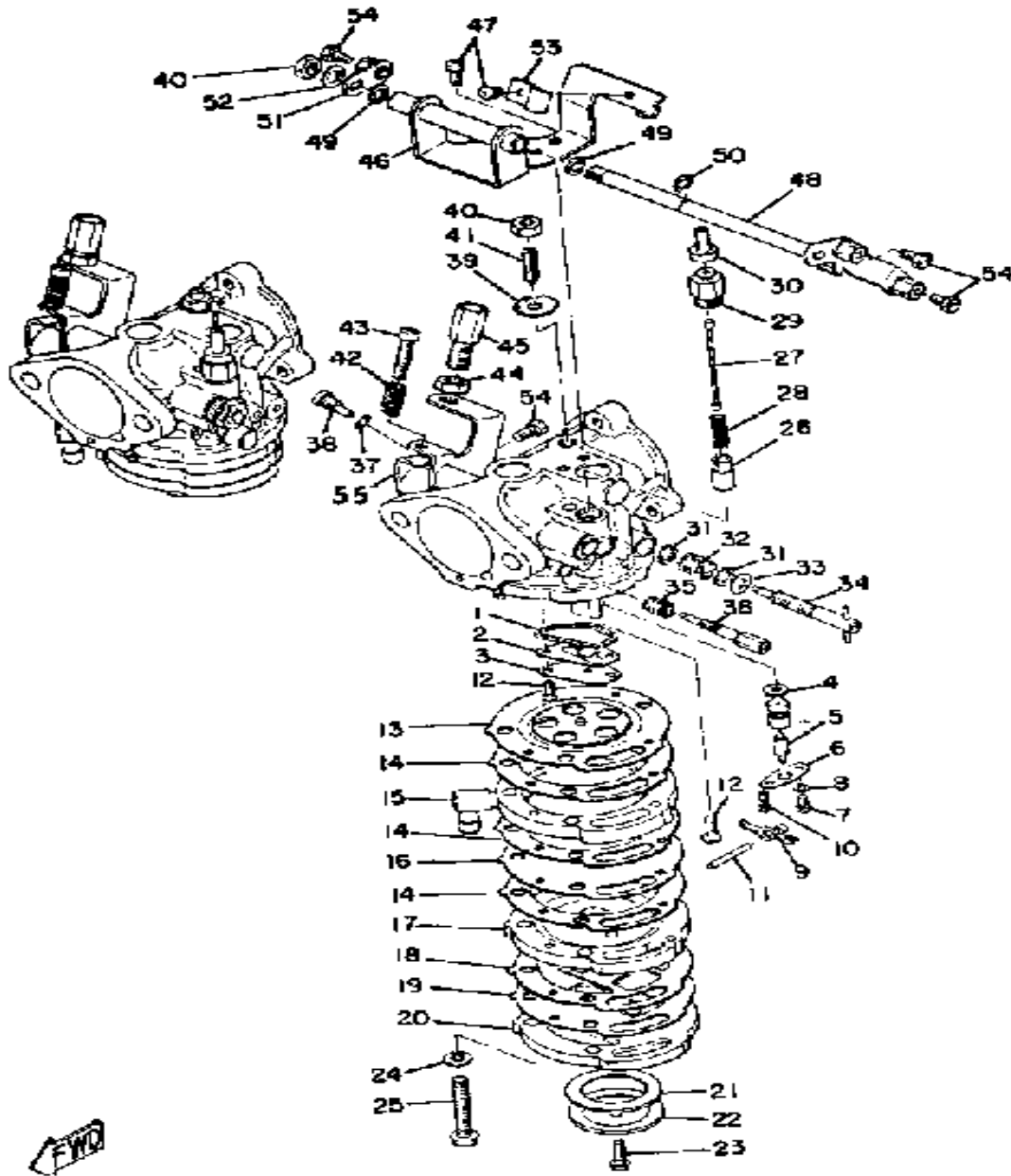
Ref. No.	Part Number	Description	Qty	Remarks
1	(878-24468-00-00)	GASKET .....	2	
2	(878-14272-00-00)	VALVE, CHECK SEAT .....	2	
3	(878-14946-00-00)	PLATE, NEEDLE FTNG .....	2	
4	(849-14195-00-00)	WASHER, NEEDLE VLV .....	2	
5	864-14190-15-00	. NEEDLE VALVE ASSEMBLY .	2	
6	(849-14146-00-00)	PLATE .....	2	
7	92990-03100-00	. WASHER, SPRING (92901-03100) .....	4	
8	98580-03008-00	. SCREW, PAN HEAD .....	4	
9	(864-14387-00-00)	ARM, DIAPHRAGM .....	2	
10	(812-24423-00-00)	SPRING, DIAPHRAGM .....	2	
11	439-14186-00-00	. PIN, FLOAT .....	2	
12	98702-03003-00	. UNAVAILABLE IN PRICE BOOK .....	3	PN75A
13	849-24471-00-00	. DIAPHRGM .....	2	
14	849-24434-00-00	. GASKET, BODY .....	6	
15	(849-24412-00-00)	BODY 1 .....	2	
16	849-24411-00-00	. DIAPHRAGM .....	2	
17	(849-24413-00-00)	BODY 2 .....	2	
18	849-24435-00-00	. GASKET, BODY 2 .....	2	
19	849-24421-00-00	. VALVE, CHECK .....	2	
20	(849-24414-00-00)	BODY 3 .....	2	
21	812-24468-00-00	. GASKET .....	2	
22	812-24452-00-00	. COVER .....	2	
23	812-24453-00-00	. SCREW .....	2	
24	92990-05100-00	. WASHER, SPRING .....	8	
25	98501-05035-00	. SCREW, PAN HEAD .....	8	
26	58E-14171-00-00	. PLUNGER, STARTER .....	2	
27	878-14130-01-00	. CABLE .....	2	

CONTINUED ON NEXT FRAME ►

Property of [www.SmallEngineDiscount.com](http://www.SmallEngineDiscount.com) - Not for Resale



# CARBURETOR (GPX383F)

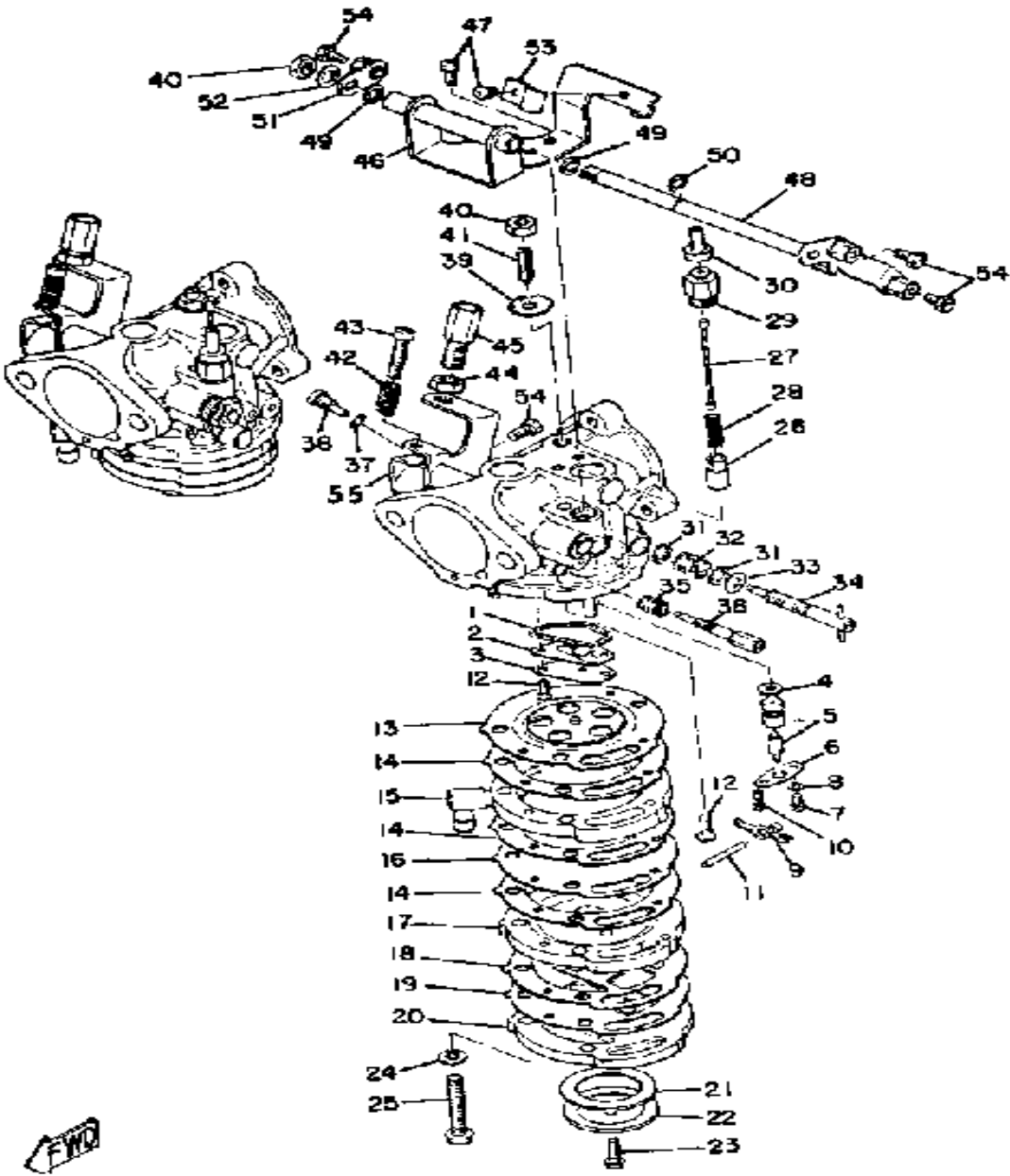


Ref. No.	Part Number	Description	Qty	Remarks
28	(137-14135-00-00)	SPRING, PLUNGER	2	
29	(878-14174-00-00)	CAP, PLUNGER	2	
30	(878-14169-00-00)	CAP	2	
31	(878-14596-00-00)	WASHER	4	
32	(878-14134-00-00)	SPRING, AIR ADJUSTING	2	
33	(878-14126-00-00)	GASKET	2	
34	878-14125-01-00	. SCREW, MAIN ADJUST	2	
35	(849-14212-00-00)	SPRING, PILOT ADJUSTING	2	
36	(849-14123-00-00)	SCREW, AIR ADJUSTING	2	
37	93210-04121-00	. O-RING	2	
38	(620-14142-17-00)	JET, PILOT # 5	2	U.R.
	620-14142-19-00	. JET, PILOT # 5	2	U.R.
39	(849-14596-00-00)	WASHER	2	
40	(849-14595-00-00)	NUT	3	
41	(849-24453-00-00)	SCREW	2	
42	(849-14134-00-00)	SPRING, AIR ADJUSTING	2	
43	(849-14922-00-00)	SCREW, THROTTLE	2	
44	(878-14594-00-00)	NUT	2	
45	(881-14124-00-00)	SCREW, CABLE ADJUSTING	2	
46	(878-14571-00-00)	BRACKET, THROTTLE	1	
47	(878-14216-00-00)	SCREW	3	
48	(878-14202-00-00)	THROTTLE LVR	1	
49	878-14237-00-00	. GASKET	2	
50	878-14137-00-00	. CLIP	1	
51	(878-14582-00-00)	LEVER	1	
52	256-14953-00-00	. WASHER	1	
53	(811-14243-00-00)	PLATE	1	
54	(822-14486-00-00)	SCREW, ROD	5	
55	(878-14573-00-00)	LEVER	1	

CONTINUED ON NEXT FRAME ►

Property of [www.SmallEngineDiscount.com](http://www.SmallEngineDiscount.com) - Not for Resale

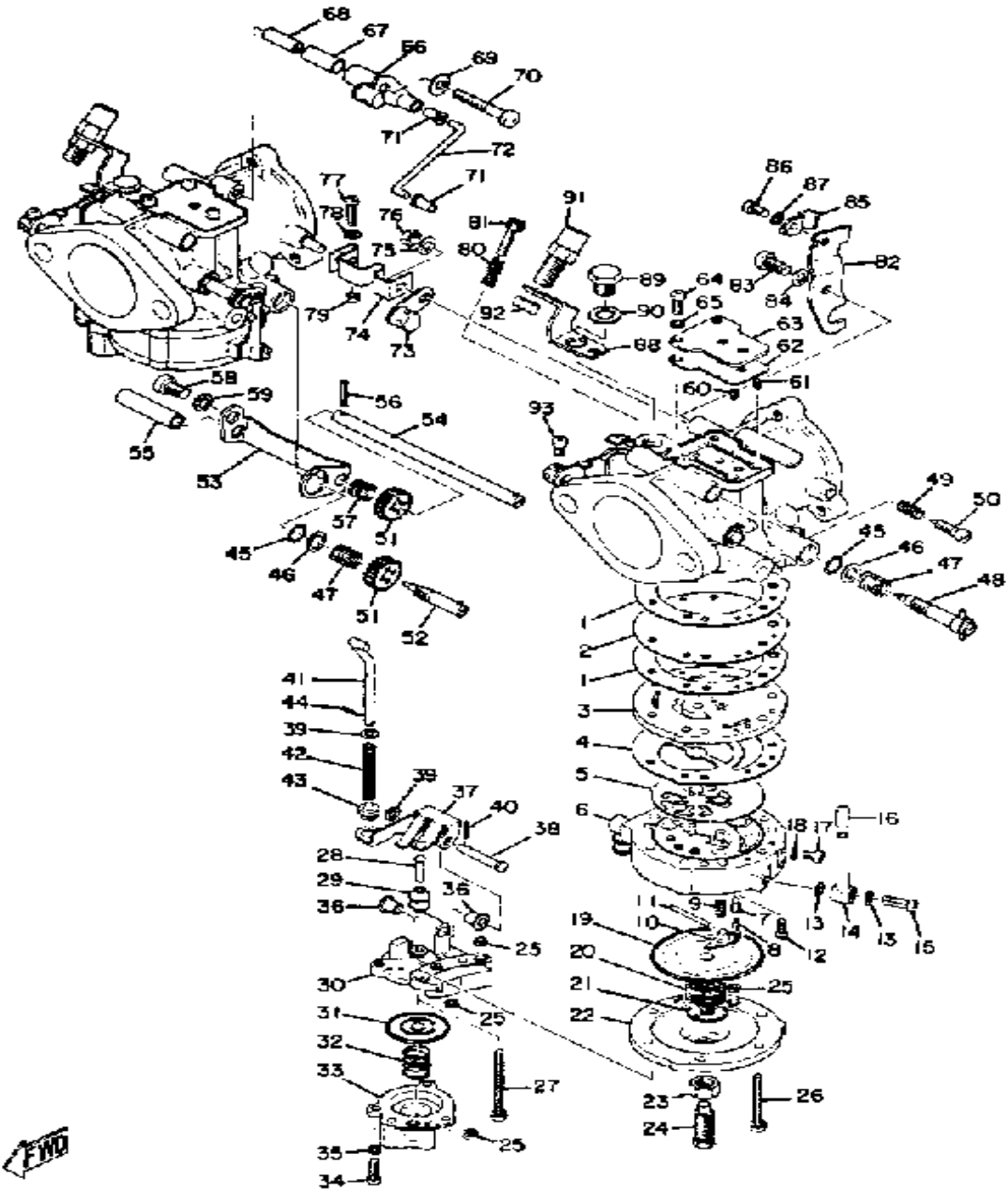
# CARBURETOR (GPX383F)



Ref. No.	Part Number	Description	Qty	Remarks
-1	(878-14101-00-00)	CARBURETOR ASSEMBLY 1	. 1	
-2	(878-14102-00-00)	CARBURETOR ASSEMBLY 2	. 1	

Property of [www.SmallEngineDiscount.com](http://www.SmallEngineDiscount.com) - Not for Resale

# CARBURETOR (GPX433F)

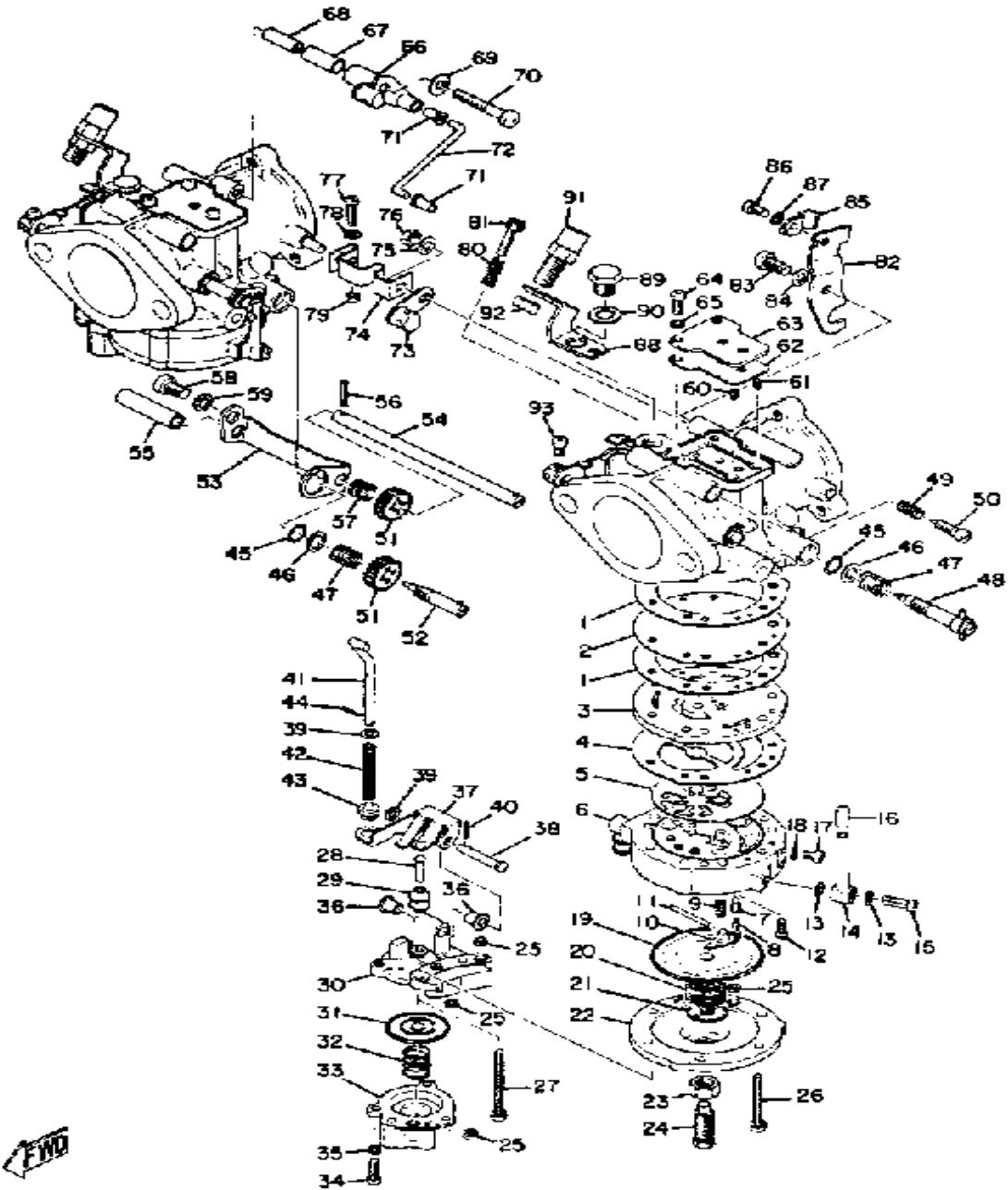


Ref. No.	Part Number	Description	Qty	Remarks
1	879-14536-00-00	. GASKET .....	4	
	879-14536-01-00	. GASKET (879-14536-00) ....	4	
2	879-14541-01-00	. DIAPHRAGM, PUMP .....	2	
3	(879-14542-00-00)	BODY, PUMP 1 .....	2	
4	(879-14553-00-00)	GASKET .....	2	
5	806-14552-01-00	. VALVE, CHECK .....	2	
6	879-14543-00-00	. BODY, PUMP 2 .....	2	
7	838-14546-00-00	. VALVE, NEEDLE .....	2	
8	676-14186-00-00	. PIN, FLOAT .....	2	
9	810-14556-00-00	. SPRING .....	2	
10	(810-14547-00-00)	ARM, FLOAT .....	2	
11	(806-14548-00-00)	PIN, FLOAT ARM .....	2	
12	98702-03008-00	. SCREW, FLAT HEAD .....	2	
13	806-14559-00-00	. WASHER .....	4	
14	810-14197-02-00	. PIPE, AIRVENT .....	2	
15	8A1-14592-00-00	. SCREW .....	2	
16	810-24462-01-00	. CAP, BLIND .....	2	
17	(806-14567-01-00)	SCREW .....	2	
18	810-14597-00-00	. WASHER .....	2	
19	810-14545-00-00	. DIAPHRAGM .....	2	
20	90501-06213-00	. SPRING, COMPRESSION ....	2	
21	(810-14136-00-00)	SEAT, SPRING .....	2	
22	(879-14544-00-00)	BODY, PUMP 3 .....	2	
23	95303-08700-00	. NUT .....	2	
24	824-14565-00-00	. SCREW, STOP .....	2	
25	866-14561-00-00	. O-RING .....	12	
26	(824-14567-00-00)	SCREW .....	8	
27	(858-14567-00-00)	SCREW .....	4	
28	866-14548-00-00	. PIN, FLOAT ARM .....	2	

CONTINUED ON NEXT FRAME ➤

Property of [www.SmallEngineDiscount.com](http://www.SmallEngineDiscount.com) - Not for Resale

# CARBURETOR (GPX433F)

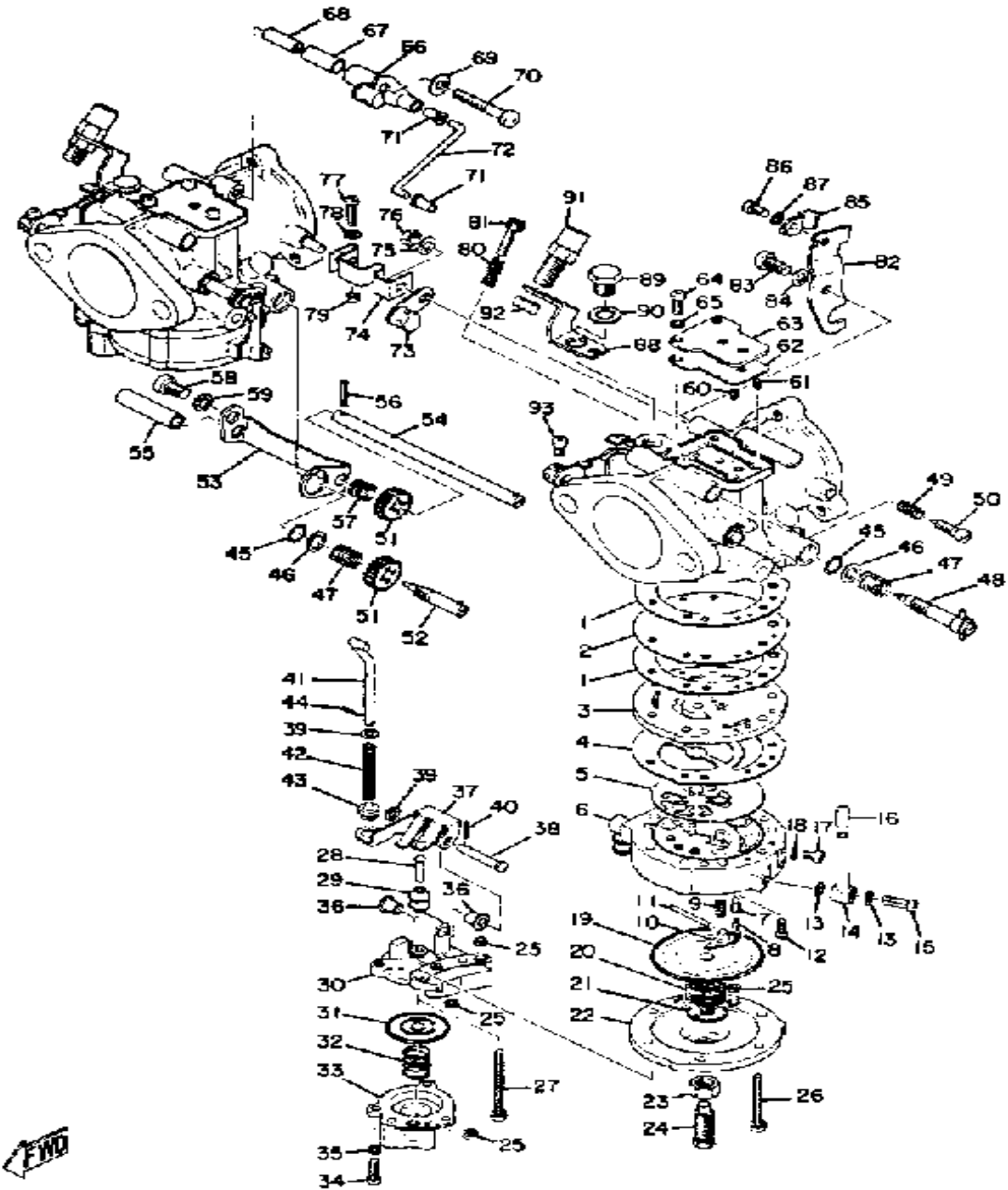


Ref. No.	Part Number	Description	Qty	Remarks
29	(866-14967-00-00)	COVER .....	2	
30	(866-14551-00-00)	BODY, PUMP 4 .....	2	
31	(866-14545-00-00)	DIAPHRAGM .....	2	
32	(90501-09212-00)	SPRING, COMPRESSION .....	2	
33	(866-14540-00-00)	COVER, FUEL .....	2	
34	98511-04012-00	. SCREW, PAN HEAD .....	6	
35	92901-04100-00	. WASHER, SPRING .....	6	
36	(866-14578-00-00)	COLLAR .....	4	
37	(879-14528-00-00)	ARM .....	2	
38	(866-14554-00-00)	PIN, LEVER .....	2	
39	90201-08410-00	. WASHER, PLATE .....	4	
40	91490-12012-00	. PIN, COTTER .....	2	
41	(879-14577-00-00)	ROD .....	2	
42	(866-14589-00-00)	SPRING .....	2	
43	(866-14535-00-00)	COLLAR .....	2	
44	(866-14579-00-00)	SPRING .....	2	
45	824-14564-00-00	. O-RING .....	2	
46	838-14597-00-00	. WASHER .....	2	
47	(824-14533-00-00)	SPRING, AJST SCREW .....	2	
48	(824-14521-00-00)	SCREW, ADJUST .....	1	
49	(90501-10237-00)	SPRING, COMPRESSION .....	2	
50	(865-14522-00-00)	SCREW, ADJUST .....	2	
51	(844-42152-00-00)	GEAR .....	2	
52	(856-14521-00-00)	SCREW, ADJUST .....	1	
53	(879-14527-00-00)	PLATE .....	1	
54	(879-41258-00-00)	SHAFT, LINK .....	1	
55	(879-14534-00-00)	COLLAR .....	1	
56	(856-14550-00-00)	PIN, SPRING .....	1	
57	(90501-07010-00)	SPRING, COMPRESSION .....	1	

CONTINUED ON NEXT FRAME ➤

Property of [www.SmallEngineDiscount.com](http://www.SmallEngineDiscount.com) - Not for Resale

# CARBURETOR (GPX433F)



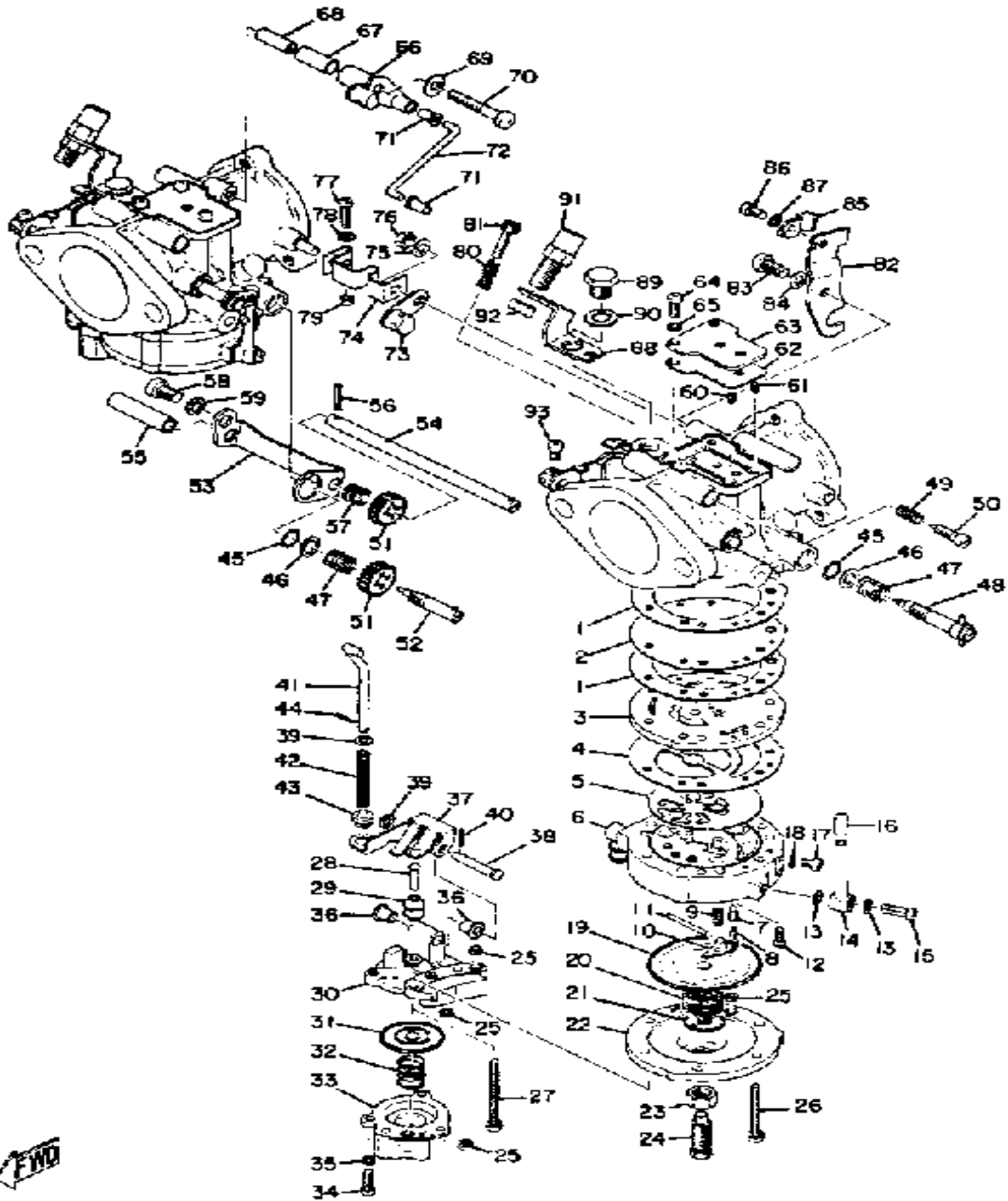
Ref. No.	Part Number	Description	Qty	Remarks
58	98580-06010-00	. SCREW, PAN HEAD (92503-06010)	1	
59	92995-06100-00	. WASHER, SPRING	1	
60	865-14515-45-00	. JET #45 (#45)	2	PN75A
61	(865-14515-65-00)	JET # 5	2	PN75A
62	(865-14537-00-00)	GASKET	2	
63	(865-14527-00-00)	PLATE	2	
64	98580-04010-00	. SCREW, PAN HEAD	6	
65	92901-04100-00	. WASHER, SPRING	6	
66	879-14573-00-00	. LEVER	1	
67	(806-14534-00-00)	COLLAR	1	
68	(806-14578-00-00)	COLLAR	1	
69	(806-14597-00-00)	WASHER	1	
70	98501-05030-00	. SCREW, PAN HEAD	1	
71	(865-14535-00-00)	COLLAR	2	
72	(879-14585-00-00)	ROD, CHOKE	1	
73	879-14582-00-00	. LEVER	1	
74	(879-14588-00-00)	CONNECTOR	1	
75	(806-14598-00-00)	WASHER	1	
76	95311-05700-00	. NUT	1	
77	(844-14566-00-00)	SCREW, STOP	1	
78	(90201-04436-00)	WASHER, PLATE	1	
79	95301-04600-00	. NUT	1	
80	(806-14533-00-00)	SPRING, AJST SCREW	2	
81	(810-14523-00-00)	SCREW, STOP	2	
82	(879-14580-00-00)	PLATE, STAY	1	
83	98580-05012-00	. SCREW, PAN HEAD	1	
84	92990-05100-00	. WASHER, SPRING	1	
85	879-14581-00-00	. BRACKET	1	

CONTINUED ON NEXT FRAME ➤

Property of [www.SmallEngineDiscount.com](http://www.SmallEngineDiscount.com) - Not for Resale



# CARBURETOR (GPX433F)

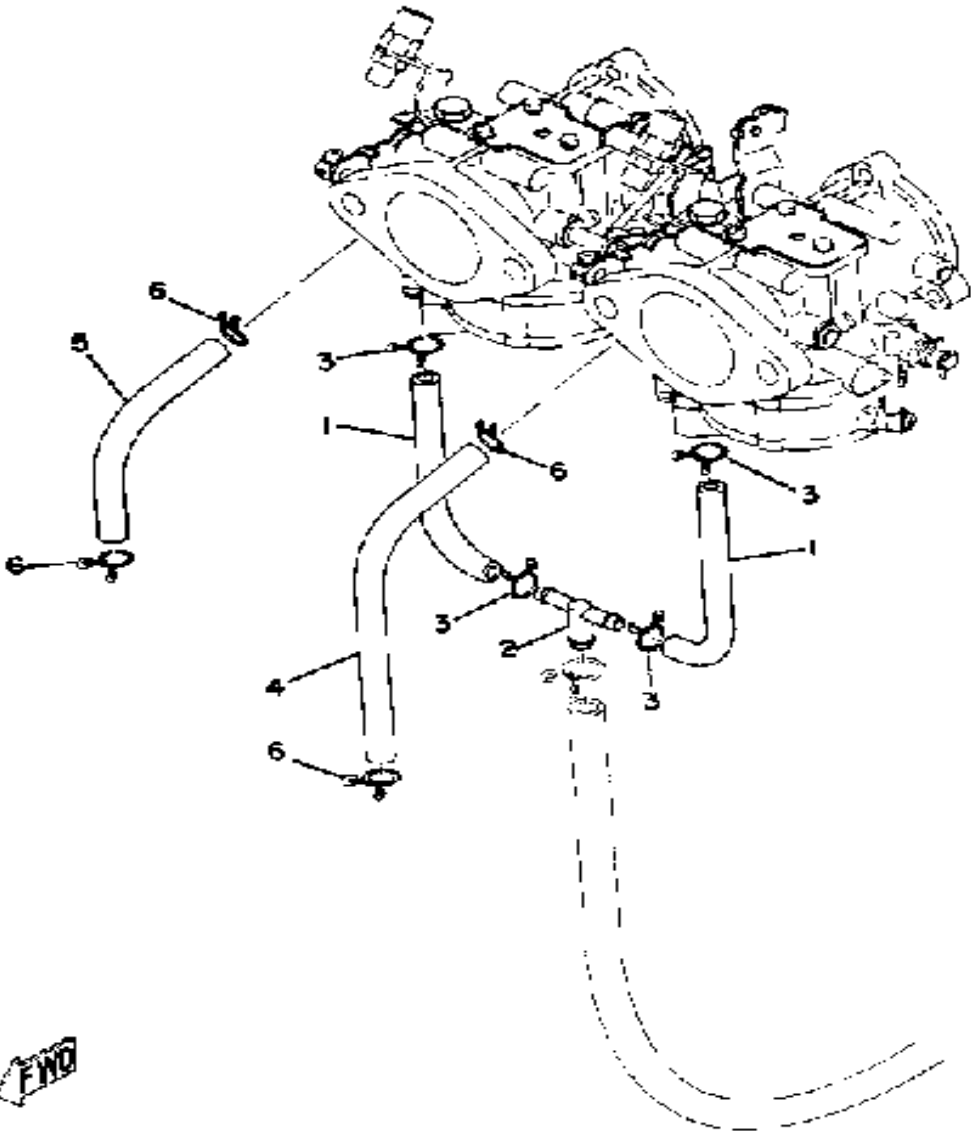


Ref. No.	Part Number	Description	Qty	Remarks
86	98580-04008-00	. SCREW, PAN HEAD	1	
87	92901-04100-00	. WASHER, SPRING	1	
88	879-14571-00-00	. BRACKET, THROTTLE	2	
89	97313-08012-00	. BOLT	2	
90	92990-08100-00	. WASHER	2	
91	(879-14576-00-00)	ADJUSTER, CABLE	2	
92	90170-08139-00	. NUT, HEXAGON	2	
93	98511-04006-00	. SCREW, PAN HEAD (98501-04005)	3	
-1	(879-14501-00-00)	CARBURETOR ASSEMBLY 1	1	
-2	(879-14502-00-00)	CARBURETOR ASSEMBLY 2	1	

Property of [www.SmallEngineDiscount.com](http://www.SmallEngineDiscount.com) - Not for Resale



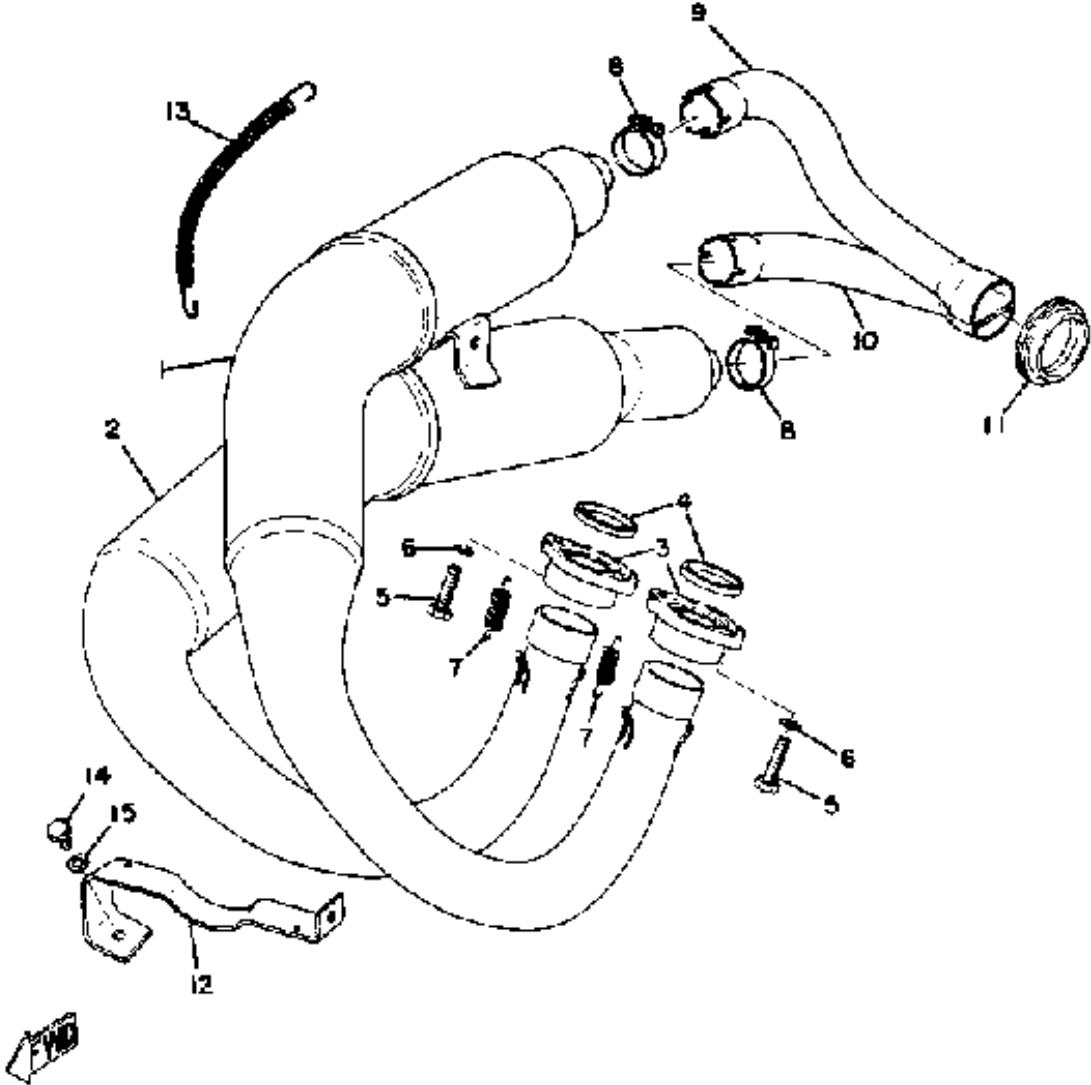
# PIPING GPX338F - GPX433F



Ref. No.	Part Number	Description	Qty	Remarks
1	90446-09065-00	HOSE .....	2	
	90446-09078-00	HOSE .....	2	
2	807-24376-00-00	PIPE, JOINT 1 .....	1	
3	810-24356-00-00	CLIP, PIPE 1 .....	4	
4	(820-24316-00-00)	PIPE 6 .....	1	
	90445-10132-00	HOSE (6-120) (813-24316-00) ..	1	
5	(820-24315-00-00)	PIPE 5 .....	1	
	(90445-10128-00)	HOSE .....	1	
6	90467-09006-00	CLIP .....	4	

Property of [www.SmallEngineDiscount.com](http://www.SmallEngineDiscount.com) - Not for Resale

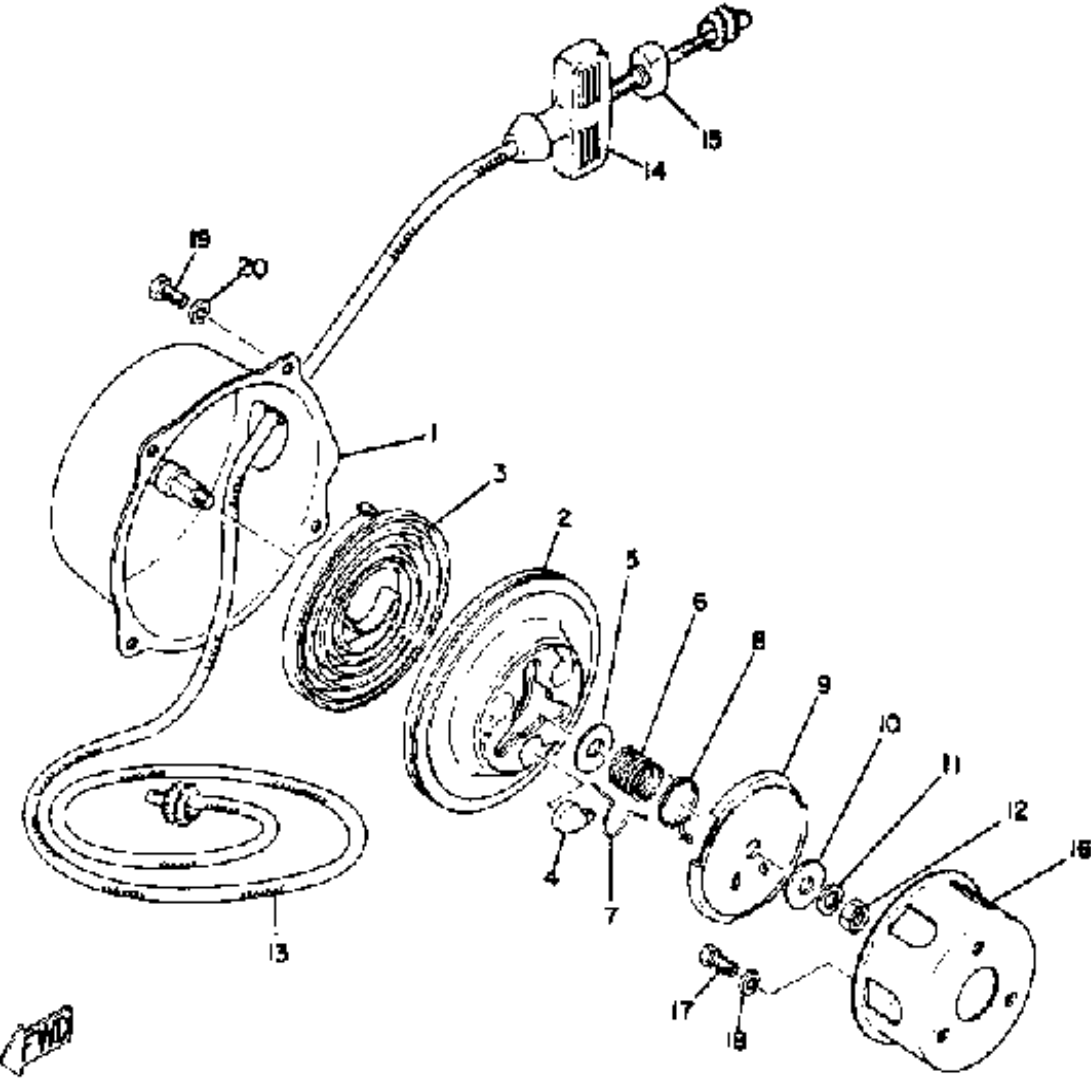
# EXHAUST GPX338F - GPX433F



Ref. No.	Part Number	Description	Qty	Remarks
1	(878-14610-02-00)	EXHAUST PIPE ASSEMBLY L	1	
	(879-14610-02-00)	EXHAUST PIPE ASSEMBLY L	1	
2	(878-14620-02-00)	EXHAUST PIPE ASSEMBLY R	1	
	(879-14620-02-00)	EXHAUST PIPE ASSEMBLY R	1	
3	(828-14612-70-00)	NUT, RING	2	
4	821-14613-01-00	GASKET, EXHAUST PIPE	2	
5	97013-08025-00	BOLT	4	PN75A
6	92990-08100-00	WASHER	4	
7	90506-20040-00	SPRING, TENSION (90506-16002)	4	
8	90460-39038-00	CLAMP, HOSE	2	
9	(878-14784-00-00)	PIPE, TAIL	1	
	(879-14784-00-00)	PIPE, TAIL	1	
10	878-14795-00-00	PIPE, TAIL 2	1	
	879-14795-00-00	PIPE, TAIL 2	1	
11	878-14718-01-00	PROTECTOR, MUFF 1	1	
12	(878-14771-02-00)	STAY, MUFFLER 1	1	
13	90506-16076-00	SPRING, TENSION	2	
14	97313-08016-00	BOLT, HEXAGON	1	
15	92990-08100-00	WASHER	1	

Property of [www.SmallEngineDiscount.com](http://www.SmallEngineDiscount.com) - Not for Resale

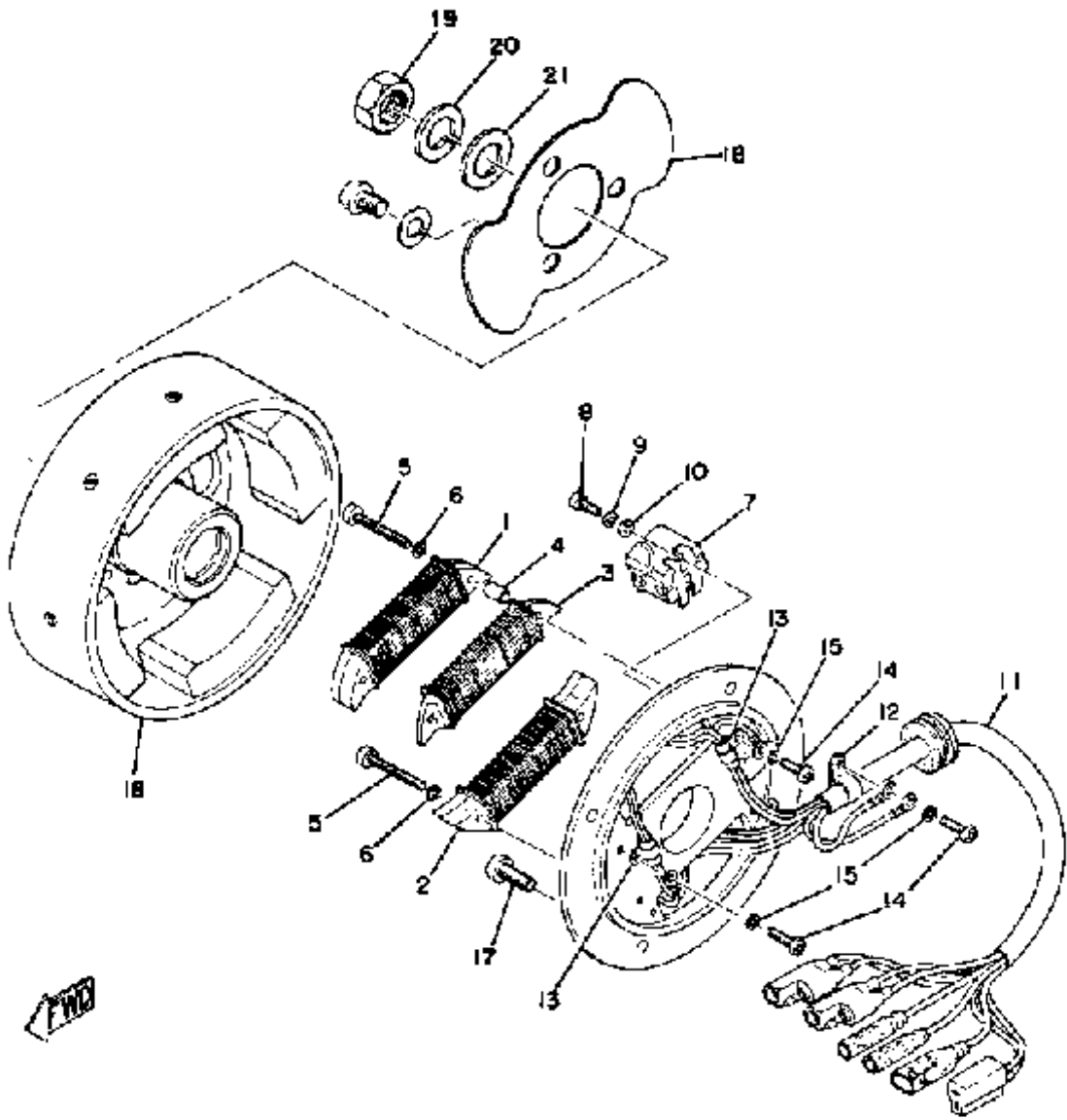
# STARTER GPX338F - GPX433F



Ref. No.	Part Number	Description	Qty	Remarks
1	(857-15711-00-00)	CASE, STARTER	1	
2	857-15714-00-00	. DRUM, SHEAVE	1	
3	8Y0-15713-00-00	. SPRING, STARTER	1	
4	616-15741-01-00	. PAWL, DRIVE	3	
5	626-15719-00-00	. WASHER, THRUST (802-15719-00)	1	
6	626-15715-01-00	. SPRING, DRIVE PLATE (807-15715-00)	1	
7	811-15784-00-00	. SPRING, RETURN	3	
8	811-15734-00-00	. SPRING, RETURN	1	
9	811-15716-00-00	. PLATE, DRIVE	1	
10	807-15726-01-00	. WASHER, FLAT	1	
11	92990-08100-00	. WASHER	1	
12	95303-08700-00	. NUT	1	
13	(856-15751-00-00)	ROPE, STARTER	1	
14	807-15755-00-00	. HANDLE, STARTER	1	
15	619-15756-00-00	. CONNECTOR 1	1	
16	(878-15723-00-00)	PULLEY, STARTER	1	
17	97313-08016-00	BOLT, HEXAGON	3	
18	92990-08100-00	WASHER	3	
19	97313-06016-00	BOLT, HEXAGON	4	
20	92995-06100-00	WASHER, SPRING	4	
-1	(857-15710-02-00)	STARTER ASSEMBLY	1	

Property of [www.SmallEngineDiscount.com](http://www.SmallEngineDiscount.com) - Not for Resale

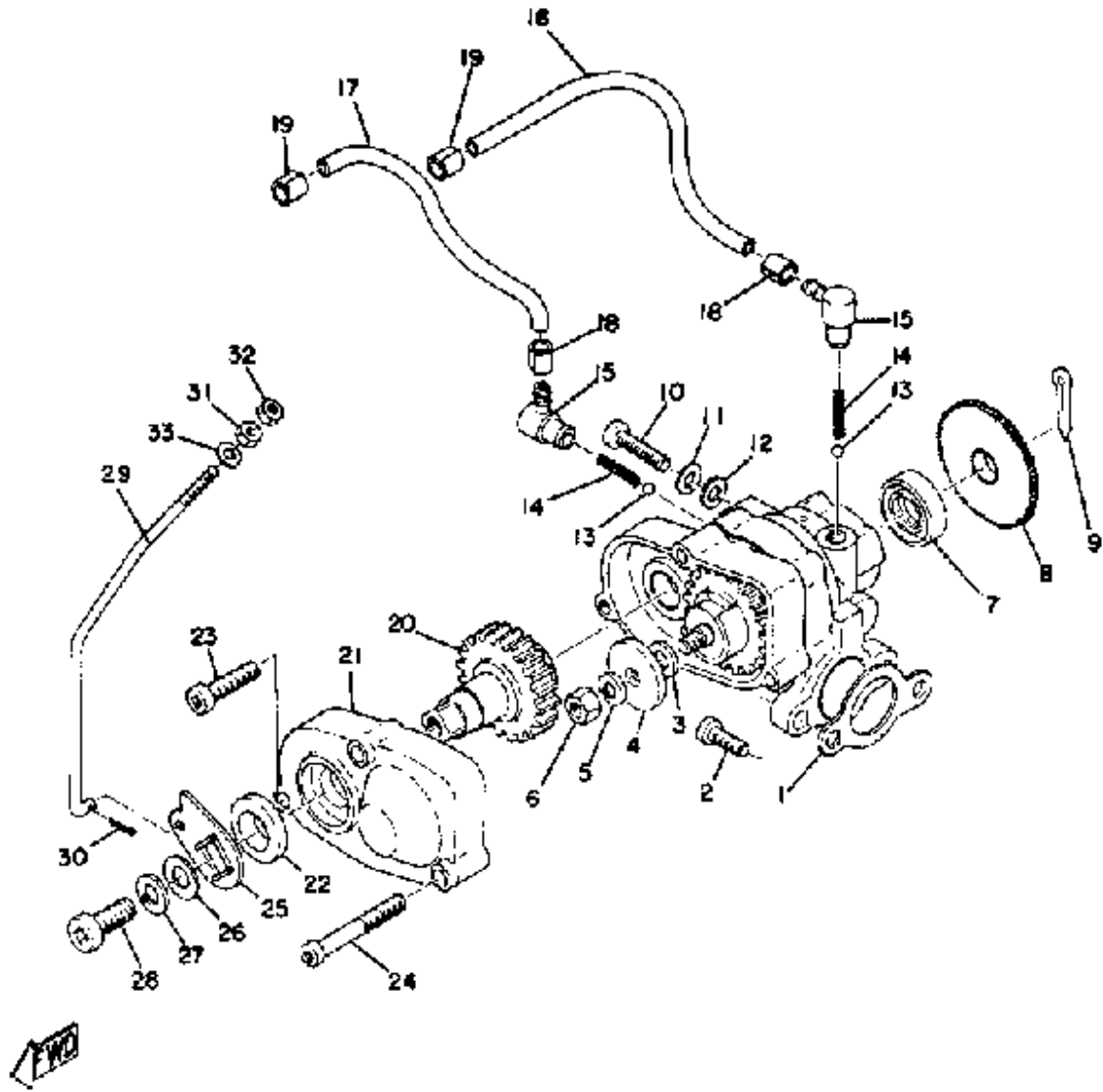
# C - D - I - MAGNETO GPX338F - GPX433



Ref. No.	Part Number	Description	Qty	Remarks
1	(99999-00850-00)	CHARGE COIL .....	1	
	888-81318-10-00	.. SPACER .....	2	
	888-85541-10-00	.. COIL, CHARGE .....	1	
2	878-81313-10-00	. COIL, LIGHTING 1 .....	1	
3	878-81314-10-00	. COIL, LIGHTING 2 .....	1	
4	647-81318-10-00	. SPACER .....	2	
5	98501-05035-00	. SCREW, PAN HEAD .....	4	
6	92990-05100-00	. WASHER, SPRING .....	4	
7	(878-85543-10-00)	COIL PULSER .....	2	
8	110-81346-21-00	. SCREW, PAN HEAD .....	4	
9	92901-04100-00	. WASHER, SPRING .....	4	
10	92990-04200-00	. WASHER, PLAIN .....	4	
11	878-85515-10-00	. LEAD WIRE ASSEMBLY .....	1	
12	109-81328-11-00	. CLAMP .....	1	
14	98580-04008-00	. SCREW, PAN HEAD .....	3	
15	92901-04100-00	. WASHER, SPRING .....	3	
16	878-85550-10-00	. ROTOR ASSEMBLY .....	1	
	878-85550-10-00	. ROTOR ASSEMBLY .....	2	
17	98503-06014-00	SCREW, PAN HEAD (92502-06016) .....	4	
18	(812-81362-00-00)	COVER, HOLE .....	1	
19	90170-16182-00	NUT .....	1	
20	92901-16100-00	WASHER, SPRING .....	1	
21	90201-16247-00	WASHER, PLATE (807-11557-00) .....	1	
-1	(878-85500-10-00)	CDI MAGNETO ASSEMBLY ...	1	
	(888-85500-10-00)	CDI MAGNETO ASSEMBLY ...	1	

Property of [www.SmallEngineDiscount.com](http://www.SmallEngineDiscount.com) - Not for Resale

# OIL PUMP GPX338F - GPX433F

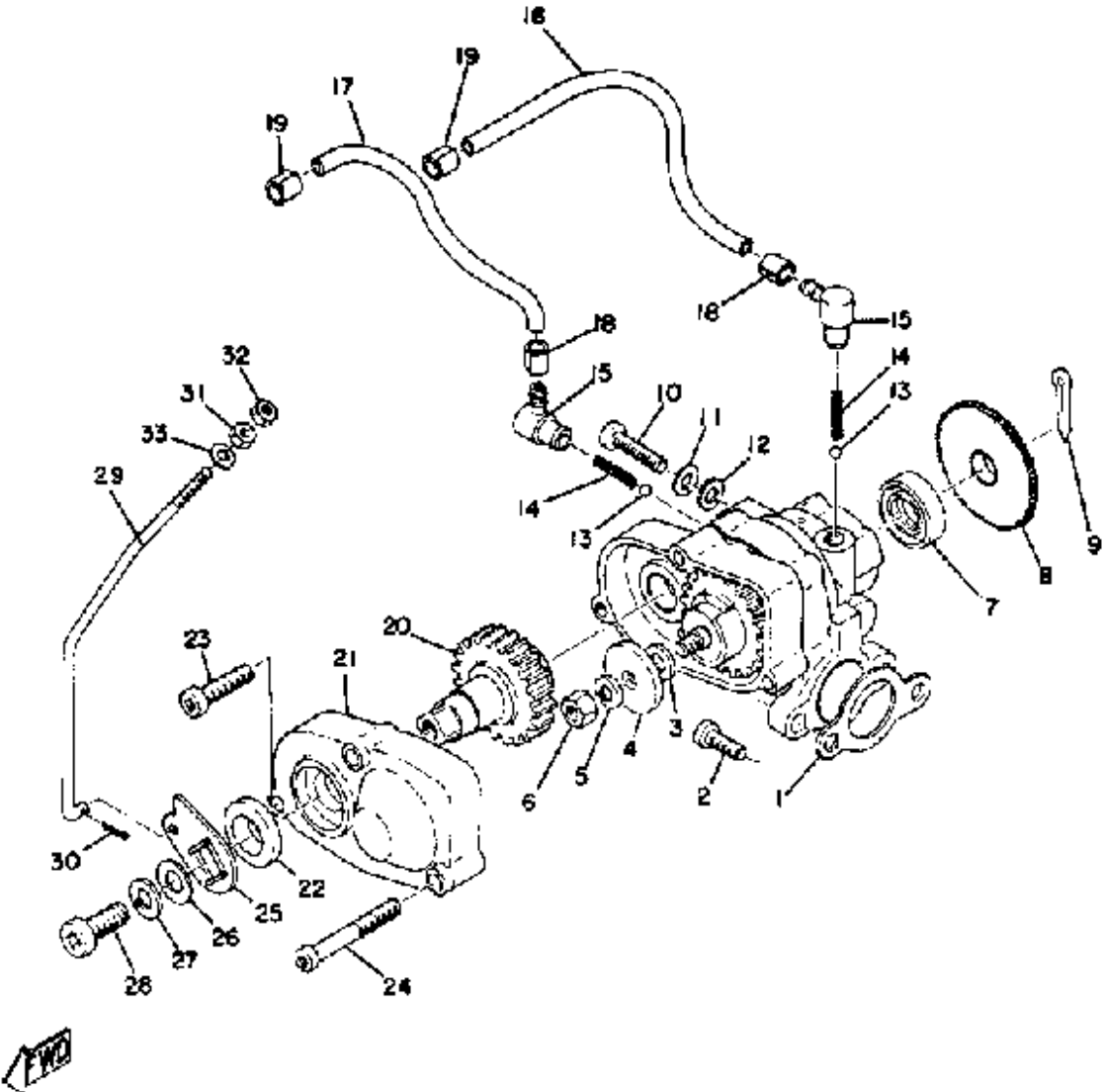


Ref. No.	Part Number	Description	Qty	Remarks
1	3MT-13116-00-00	GASKET, PUMP CASE (8Y0-13116-00)	1	
2	98580-05016-00	SCREW, PAN HEAD	2	
3	137-13137-00-03	. SHIM (0.3T)	1	
	137-13137-00-05	. SHIM (0.5T)	1	
	137-13137-00-10	. SHIM (1.0T)	1	
4	137-13138-01-00	. PLATE, ADJUSTING	1	
5	92990-05100-00	. WASHER, SPRING	1	
6	95380-05600-00	. NUT	1	
7	(93102-10137-00)	OIL SEAL, SD-TYPE	1	
8	(137-13128-00-00)	PLATE, STARTER	1	
9	91401-12018-00	. PIN, COTTER	1	
10	90157-04009-00	. SCREW, PAN HEAD	1	
11	92990-04200-00	. WASHER, PLAIN	1	
12	90430-04004-00	. GASKET	1	
13	93505-32002-00	. BALL	2	
14	90501-02018-00	. SPRING, COMPRESSION	2	
15	353-13552-01-00	. NOZZLE	2	
16	90445-052F5-00	. HOSE	1	
17	90445-05019-00	. HOSE	1	
18	90468-02033-00	. CLIP	2	
19	90468-02033-00	CLIP	2	
20	(838-13154-01-00)	GEAR, PUMP CONTROL	1	
21	(859-13146-00-00)	COVER, AJST PULLEY	1	
22	93104-12043-00	OIL SEAL, SO-TYPE (SO-12-20-4)	1	
23	98511-04020-00	SCREW, PAN HEAD	1	
24	98501-04035-00	SCREW, PAN HEAD	2	
25	(878-13156-00-00)	LEVER, PUMP CONTROL	1	

CONTINUED ON NEXT FRAME ►

Property of [www.SmallEngineDiscount.com](http://www.SmallEngineDiscount.com) - Not for Resale

# OIL PUMP GPX338F - GPX433F

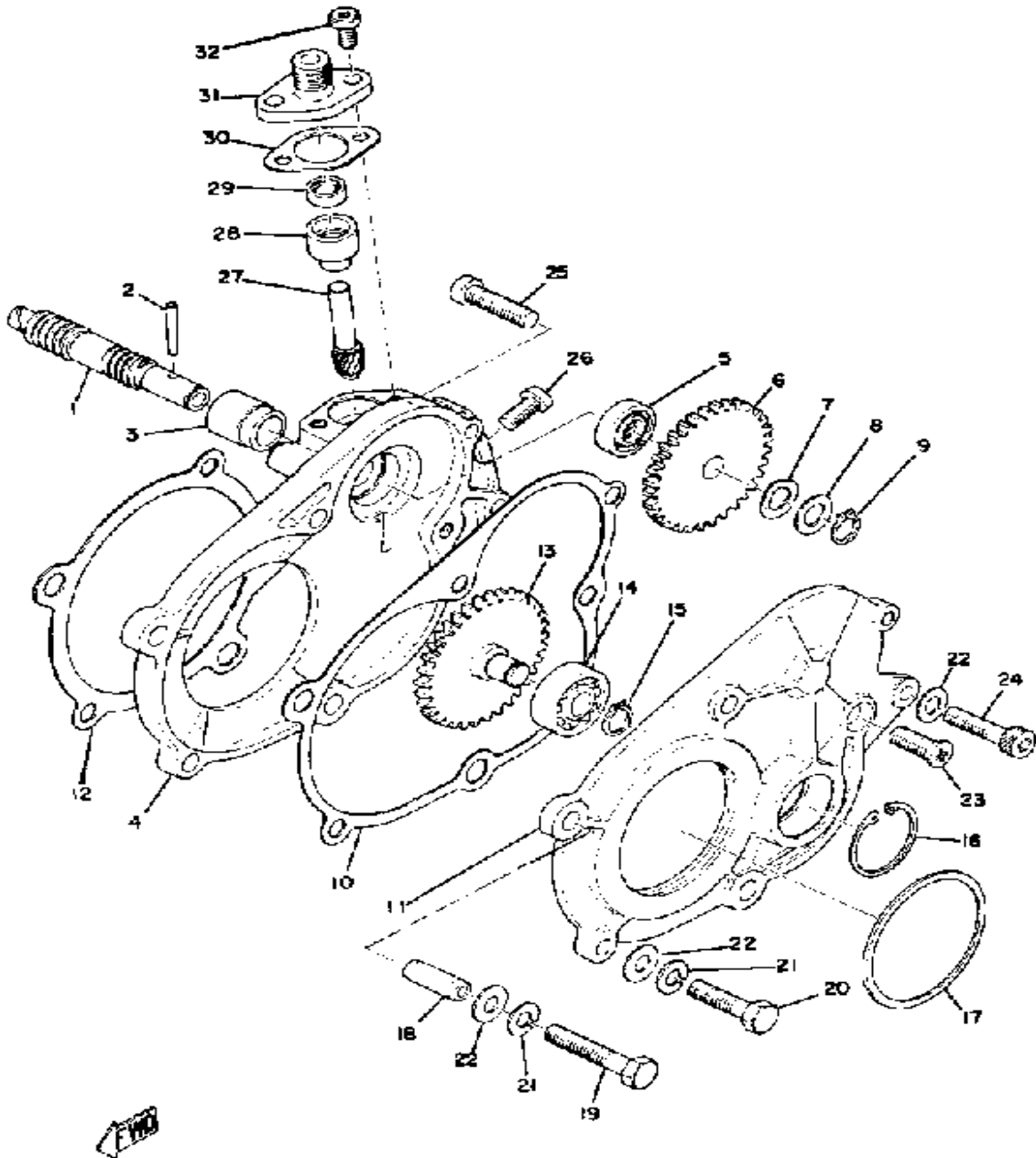


Ref. No.	Part Number	Description	Qty	Remarks
26	92990-06200-00	WASHER .....	1	
27	92995-06100-00	WASHER, SPRING .....	1	
28	98503-06014-00	SCREW, PAN HEAD (92502-06016) .....	1	
29	(878-13157-00-00)	ROD, PUMP CONTROL .....	1	
	(879-13157-00-00)	ROD, PUMP CONTROL .....	1	
30	91490-12012-00	PIN, COTTER .....	1	
31	90170-03008-00	NUT, HEXAGON (807-13139-00) .....	1	
32	90185-03007-00	NUT, SELF-LOCKING (838-13139-00) .....	1	
33	90201-04014-00	WASHER, PLATE (322-21747-00) .....	1	
-1	878-13101-00-00	OIL PUMP ASSEMBLY .....	1	
	879-13101-00-00	OIL PUMP ASSEMBLY .....	1	

Property of [www.SmallEngineDiscount.com](http://www.SmallEngineDiscount.com) - Not for Resale



# PUMP DRIVE GEAR GPX338F - GPX433F

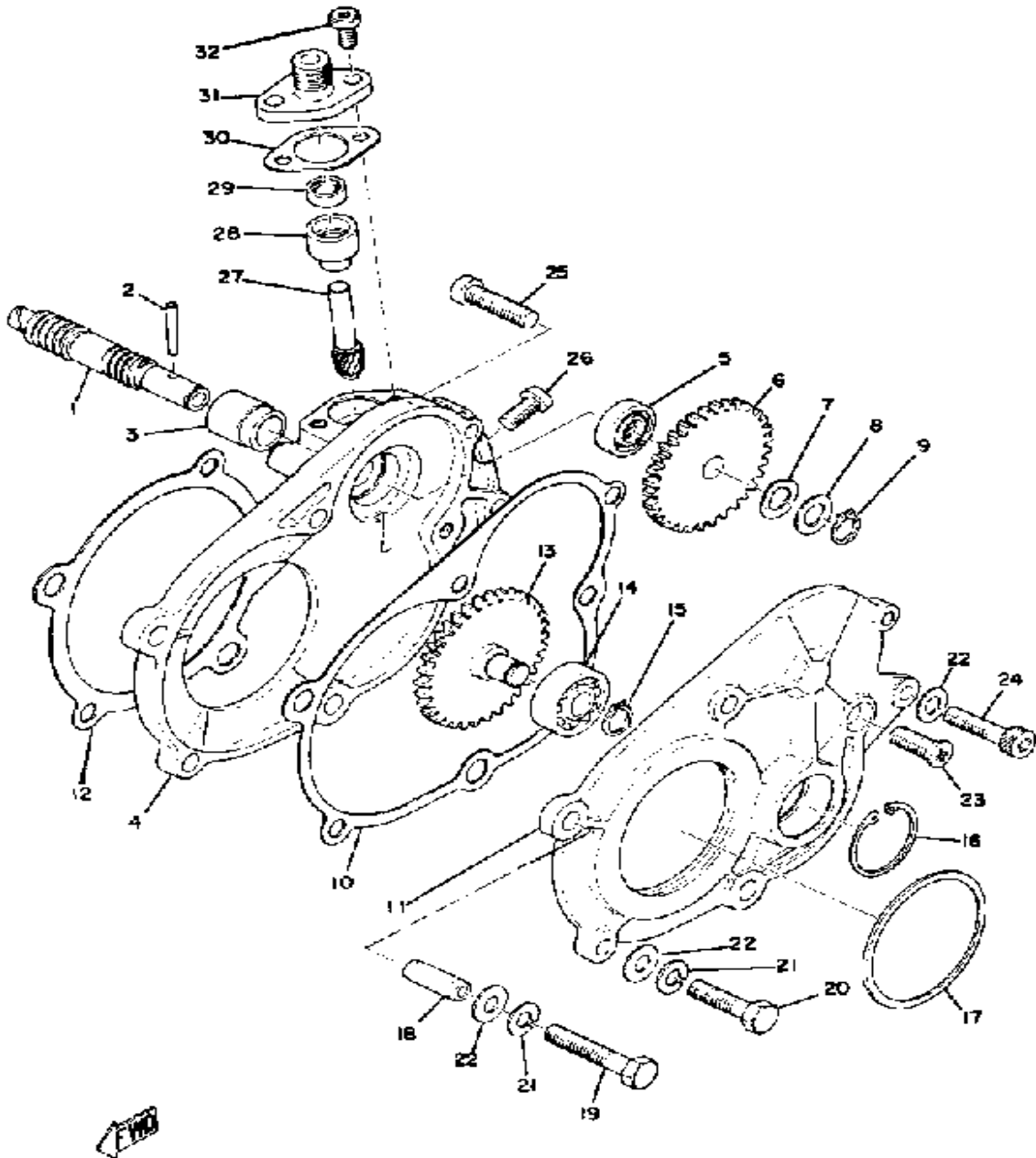


Ref. No.	Part Number	Description	Qty	Remarks
1	821-13175-00-00	SHAFT, WORM .....	1	
	879-13175-00-00	SHAFT, WORM .....	1	
2	93603-22028-00	PIN, DOWEL .....	1	
3	821-13176-00-00	METAL, WORM SHAFT OUTER	1	
4	(8E3-15416-00-00)	COVER, OIL PUMP .....	1	
	838-15416-00-00	COVER, OIL PUMP .....	1	
5	93101-10090-00	OIL SEAL .....	1	
6	821-13188-00-00	GEAR, DRIVE (32T) .....	1	
7	90206-11016-00	WASHER, WAVE .....	1	
8	137-13148-00-00	PLATE, CAM THRUST .....	1	
9	99009-10400-00	CIRCLIP .....	1	
10	859-15466-00-00	GASKET 2 .....	1	
11	838-15426-00-00	COVER, OIL PUMP R .....	1	
12	838-15456-00-00	GASKET, O/PMP CVR 1 .....	1	
13	(821-13179-00-00)	GEAR, IDLE .....	1	
14	93306-00002-00	BEARING (B6000RS) .....	1	
15	99009-10400-00	CIRCLIP .....	1	
16	93420-26024-00	CIRCLIP, R-TYPE (R-26) .....	1	
17	(838-13119-00-00)	SEAL, GREASE .....	1	
18	91810-18022-00	PIN, DOWEL .....	2	
19	97013-06035-00	BOLT .....	2	
20	97011-06025-00	BOLT (97001-06025) .....	2	
21	92995-06100-00	WASHER, SPRING .....	4	
22	92990-06200-00	WASHER .....	5	
23	98701-06014-00	SCREW, FLAT HEAD .....	1	
24	91316-06025-00	BOLT .....	1	
25	98511-06025-00	SCREW PAN HEAD (92501-06025) .....	1	
26	98580-06012-00	SCREW, PAN HEAD .....	1	

CONTINUED ON NEXT FRAME ►

Property of [www.SmallEngineDiscount.com](http://www.SmallEngineDiscount.com) - Not for Resale

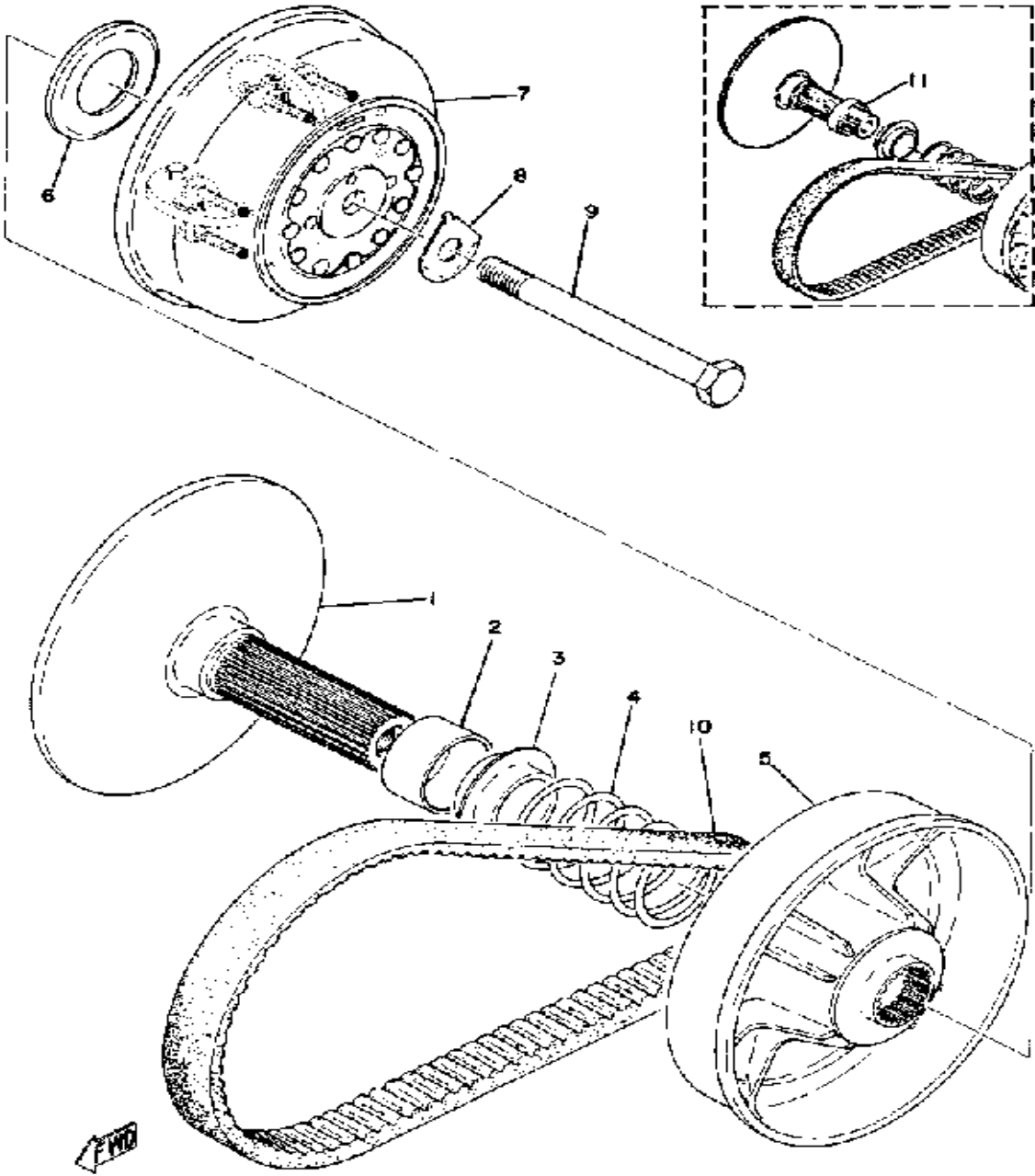
# PUMP DRIVE GEAR GPX338F - GPX433F



Ref. No.	Part Number	Description	Qty	Remarks
27	813-17841-00-00	GEAR, DRIVEN (10T)	1	
28	821-17843-00-00	BUSH, DRIVEN GEAR OUTER	1	
29	93104-06033-00	OIL SEAL	1	
30	821-17818-02-00	GASKET	1	
31	821-17819-00-00	CAP, HOUSING	1	
32	98580-05010-00	SCREW, PAN HEAD	2	

Property of [www.SmallEngineDiscount.com](http://www.SmallEngineDiscount.com) - Not for Resale

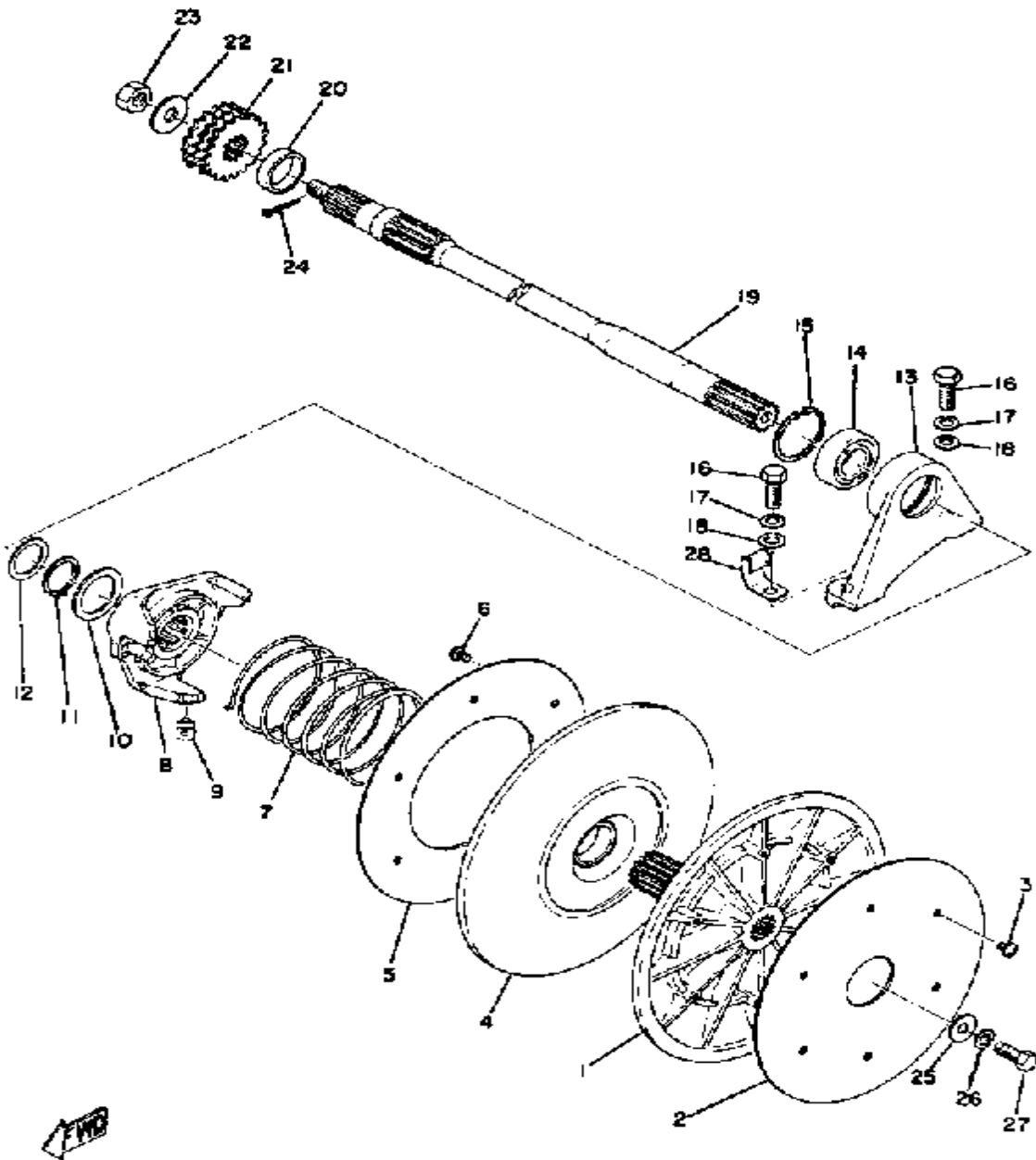
# PRIMARY SHEAVE GPX338F - GPX433F



Ref. No.	Part Number	Description	Qty	Remarks
1	(878-W1761-01-00)	PRI. FIXED SHEAVE	1	
2	90380-41019-00	BUSH, SOLID	1	
3	(878-17644-00-00)	SEAT, SPRING	1	
4	90501-55241-00	SPRING, COMPRESSION	1	
5	(878-17620-00-00)	PRI SLIDG SHEAVE	1	
6	(879-17623-00-00)	CAM	1	
7	(878-W1762-01-00)	PRI. SHEAVE CAP	1	
8	90215-13047-00	WASHER, LOCK	1	
9	90101-13406-00	BOLT	1	
10	820-17641-00-00	V-BELT	1	
11	(ACC-11250-22-00)	BEARING J26 6	1	S4-016

Property of [www.SmallEngineDiscount.com](http://www.SmallEngineDiscount.com) - Not for Resale

# SECONDARY SHEAVE GPX338F - GPX433F

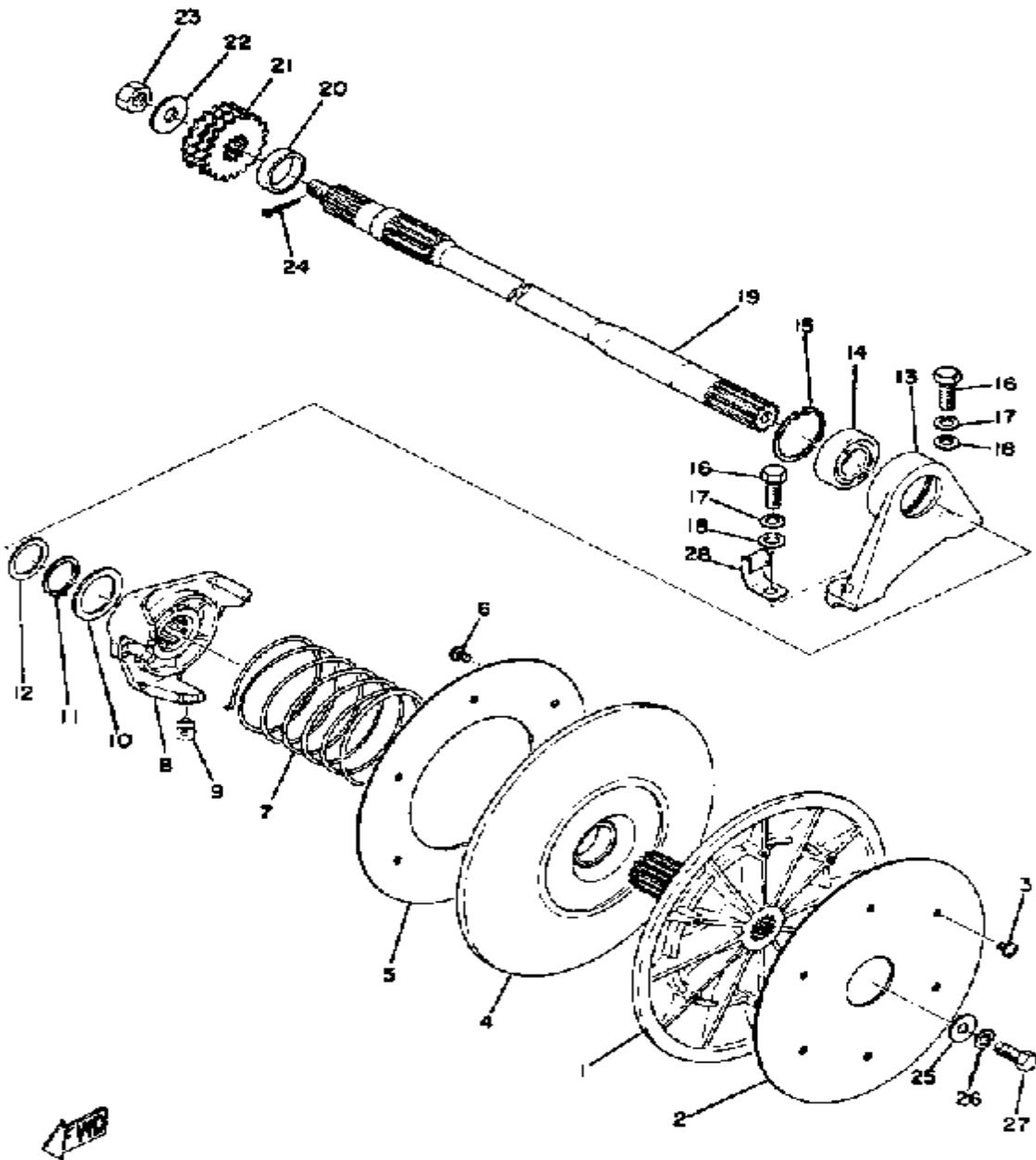


Ref. No.	Part Number	Description	Qty	Remarks
1	878-17660-00-00	SEC FXD SHV	1	
2	(878-17665-00-00)	PLATE 1	1	
3	98580-06008-00	SCREW, PAN HEAD	6	
4	(878-17670-00-00)	SEC SLIDING SHEAVE	1	
5	(878-17675-00-00)	PLATE 2	1	
6	98580-06008-00	SCREW, PAN HEAD	6	
7	(90508-45081-00)	SPRING, TORSION	1	
	90508-50210-00	SPRING, TORSION (856-17683-00)	1	
8	878-17684-00-00	SEAT, SEC SPRING	1	
9	801-17688-10-00	SHOE, RAMP	3	
10	90564-34003-00	SHIM (856-17687-00)	1	
11	93440-34170-00	CIRCLIP	1	
12	(856-17685-00-10)	COLLAR, DISTANCE 1	1	
	(856-17685-00-50)	COLLAR, DISTANCE 1	1	
	856-17685-00-20	COLLAR, DISTANCE 1	1	
13	878-47631-00-00	HOUSING, BEARING	1	
14	93306-20509-00	BEARING (B6205) (93306-20525) 0 1	1	
15	99009-52500-00	CIRCLIP	1	
16	97013-10030-00	BOLT (8J7) (97303-10030)	2	
17	92990-10100-00	WASHER, SPRING	2	
18	90201-10124-00	WASHER, PLATE	2	
19	(878-17681-00-00)	SHAFT, SECONDARY	1	
20	90387-25259-00	COLLAR	1	
21	829-17682-00-00	SPRKT, CHAIN DR 20T (20T)	1	ALTERNATE PARTS
	829-17682-50-00	SPRKT, CHAIN DR 15T (878-17682-50) (15T)	1	ALTERNATE PARTS
	829-17682-60-00	SPRKT, CHAIN DR 16T (16T)	1	ALTERNATE PARTS
	829-17682-70-00	SPRKT, CHAIN DR 17T (17T)	1	ALTERNATE PARTS

CONTINUED ON NEXT FRAME ➤

Property of [www.SmallEngineDiscount.com](http://www.SmallEngineDiscount.com) - Not for Resale

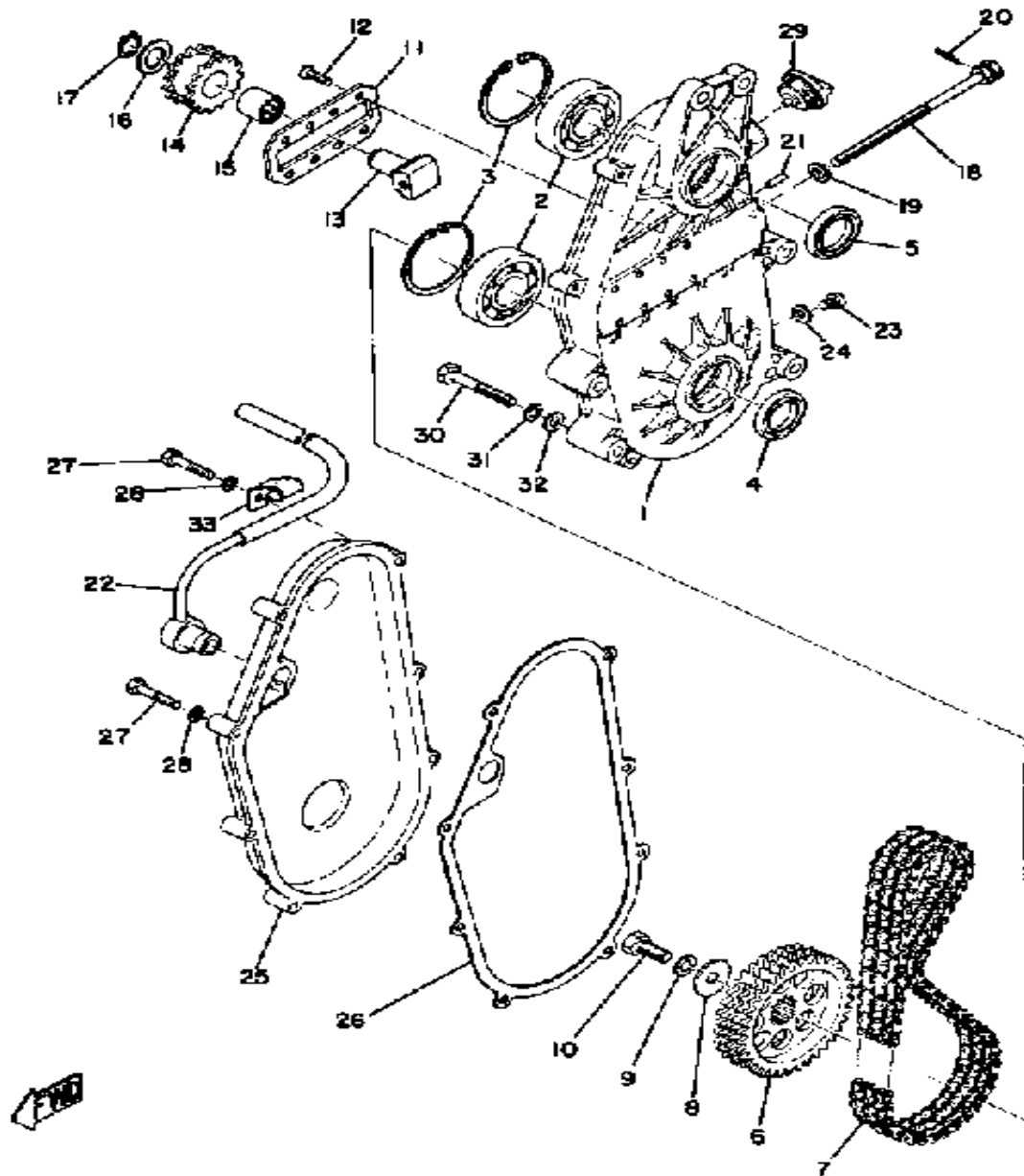
# SECONDARY SHEAVE GPX338F - GPX433F



Ref. No.	Part Number	Description	Qty	Remarks
21	829-17682-80-00	SPRKT, CHAIN DR 18T (18T) ..	1	
	829-17682-80-00	SPRKT, CHAIN DR 18T (18T) ..	1	ALTERNATE PARTS
	829-17682-90-00	SPRKT, CHAIN DR 19T (878-17682-90) (19T) .....	1	
	829-17682-90-00	SPRKT, CHAIN DR 19T (878-17682-90) (19T) .....	1	ALTERNATE PARTS
	8U9-17693-10-00	SPROCKET, CHAIN DR (878-17693-10) (21T) .....	1	ALTERNATE PARTS
	8U9-17693-20-00	SPROCKET, CHAIN DR (878-17693-20) (22T) .....	1	ALTERNATE PARTS
22	90201-14319-00	WASHER, PLATE .....	1	
23	95312-14600-00	NUT .....	1	
24	91401-30030-00	PIN, COTTER .....	1	
25	90201-10321-00	WASHER, PLATE .....	1	
26	92990-10100-00	WASHER, SPRING .....	1	
27	97011-10025-00	BOLT .....	1	
28	(90465-06012-00)	CLAMP .....	1	

Property of [www.SmallEngineDiscount.com](http://www.SmallEngineDiscount.com) - Not for Resale

# TRACK DRIVE GPX338F - GPX433F



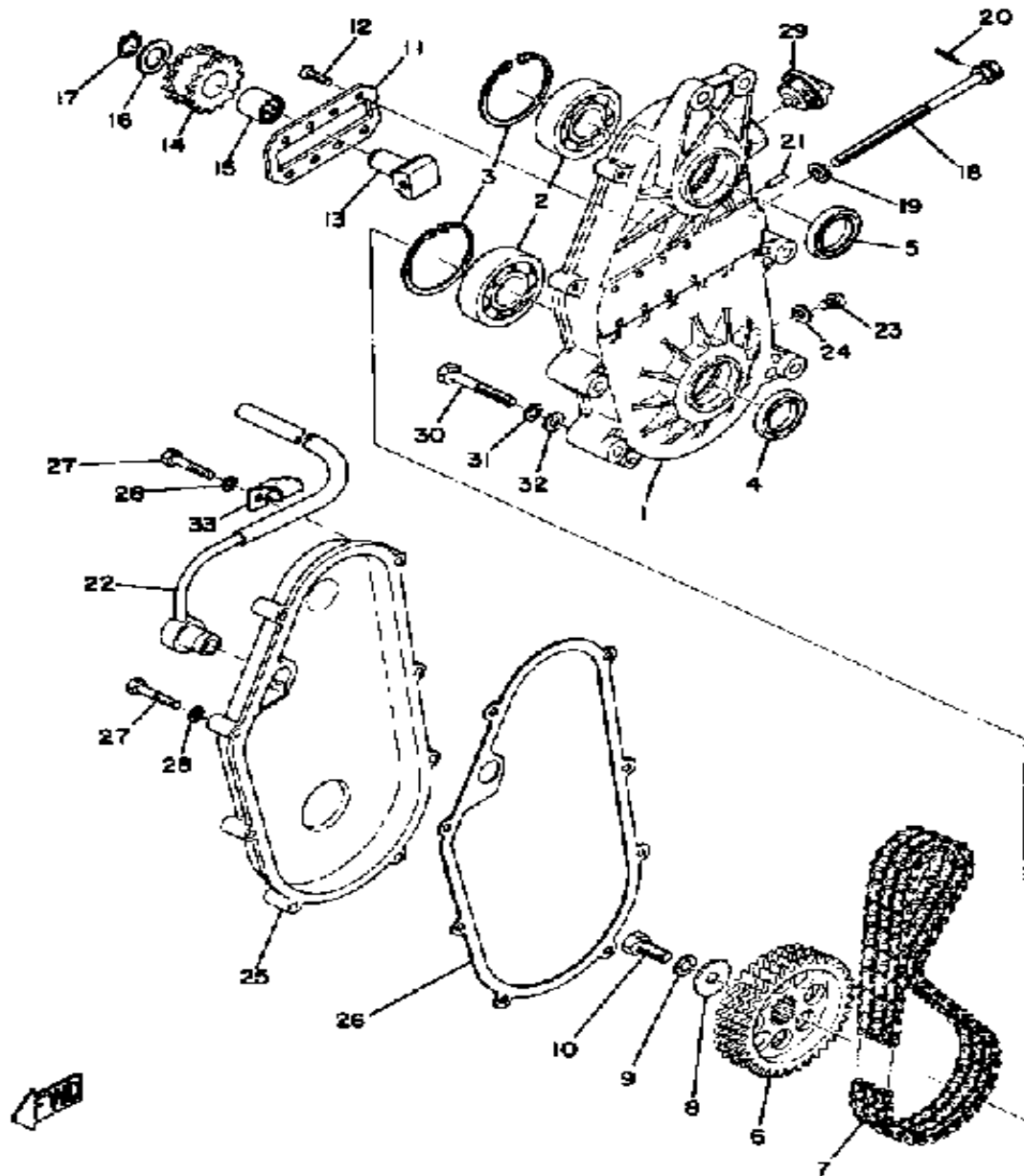
Ref. No.	Part Number	Description	Qty	Remarks
1	(878-47541-00-00)	HOUSING, CHAIN	1	
2	93306-30536-00	BEARING	2	
3	93420-62070-00	CIRCLIP 54G	2	
4	93102-25081-00	OIL SEAL	1	
5	93102-30083-00	SEAL, OIL	1	PN75A
6	(878-47548-50-00)	SPROCKET, CHN DRVN	1	ALTERNATE PARTS
	(878-47548-60-00)	SPROCKET, CHN DRVN	1	ALTERNATE PARTS
	(878-47548-80-00)	SPROCKET, CHN DRVN	1	ALTERNATE PARTS
	(878-47587-50-00)	SPROCKET, CHN DRVN	1	ALTERNATE PARTS
	878-47548-70-00	SPROCKET, CHN DRVN	1	ALTERNATE PARTS
	878-47548-90-00	SPROCKET, CHN DRVN (29T)	1	ALTERNATE PARTS
	878-47587-30-00	SPROCKET, CHN DRVN (35T) (878-47587-20)	1	ALTERNATE PARTS
	878-47587-40-00	SPROCKET, CHN DRVN	1	ALTERNATE PARTS
	8U9-47587-00-00	SPROCKET, CHN DRVN (31T)	1	ALTERNATE PARTS
	8U9-47587-10-00	SPROCKET, CHN DRVN (888-47587-00) (33T)	1	ALTERNATE PARTS
	8U9-47587-30-00	SPROCKET, CHN DRVN (878-47587-20) (35T)	1	
7	94850-35066-00	CHAIN 66 (RS35V-3 66L)	1	ALTERNATE PARTS
	94850-35068-00	CHAIN 68 (RS35V-368L)	1	ALTERNATE PARTS
	94850-35070-00	CHAIN 70 (RS35V-3 70L)	1	ALTERNATE PARTS
	94850-35072-00	CHAIN 72 (RS35V-3 72L)	1	ALTERNATE PARTS
	94850-35074-00	CHAIN 4	1	
	94850-35076-00	CHAIN 76 (RS35V-3 76L)	1	ALTERNATE PARTS
8	90201-10321-00	WASHER, PLATE	1	
9	92990-10100-00	WASHER, SPRING	1	
10	97011-10025-00	BOLT	1	
11	(878-47613-00-00)	HOLDER	1	
12	98603-06018-00	SCREW, OVAL HEAD	8	

CONTINUED ON NEXT FRAME ►

Property of [www.SmallEngineDiscount.com](http://www.SmallEngineDiscount.com) - Not for Resale



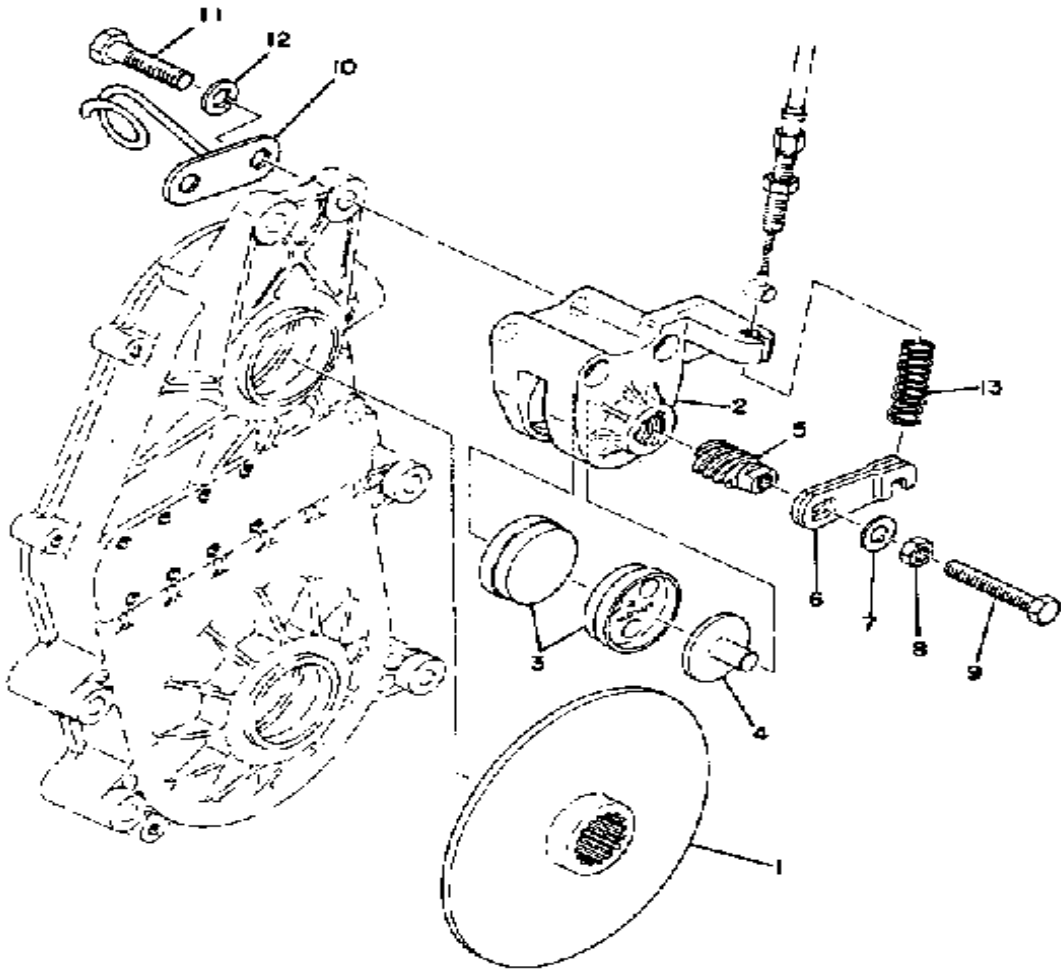
# TRACK DRIVE GPX338F - GPX433F



Ref. No.	Part Number	Description	Qty	Remarks
13	878-47611-00-00	TENSIONER .....	1	
14	878-47612-00-00	WHEEL .....	1	
15	93317-31701-00	BEARING .....	1	
16	90201-17406-00	WASHER, PLATE .....	1	
17	99009-17400-00	CIRCLIP .....	1	
18	90109-08249-00	BOLT .....	1	
19	90210-08002-00	WASHER, SEAL .....	1	
20	90468-16022-00	CLIP .....	1	
21	91609-30020-00	PIN, SPRING .....	1	
22	(857-47586-00-00)	BREATHER .....	1	
23	98580-06010-00	SCREW, PAN HEAD (92503-06010) .....	1	
24	90430-06016-00	GASKET .....	1	
25	(878-47543-00-00)	CAP, HOUSING .....	1	
26	878-47544-00-00	GASKET .....	1	
27	97013-06035-00	BOLT .....	8	
28	92990-06200-00	WASHER .....	8	
29	857-47559-00-00	CAP 2 .....	1	
30	97313-08055-00	BOLT, HEXAGON .....	4	
31	92990-08100-00	WASHER .....	4	
32	92990-08200-00	WASHER, PLAIN .....	4	
33	90465-06013-00	CLAMP .....	1	

Property of [www.SmallEngineDiscount.com](http://www.SmallEngineDiscount.com) - Not for Resale

# BRAKE GPX338F - GPX433F



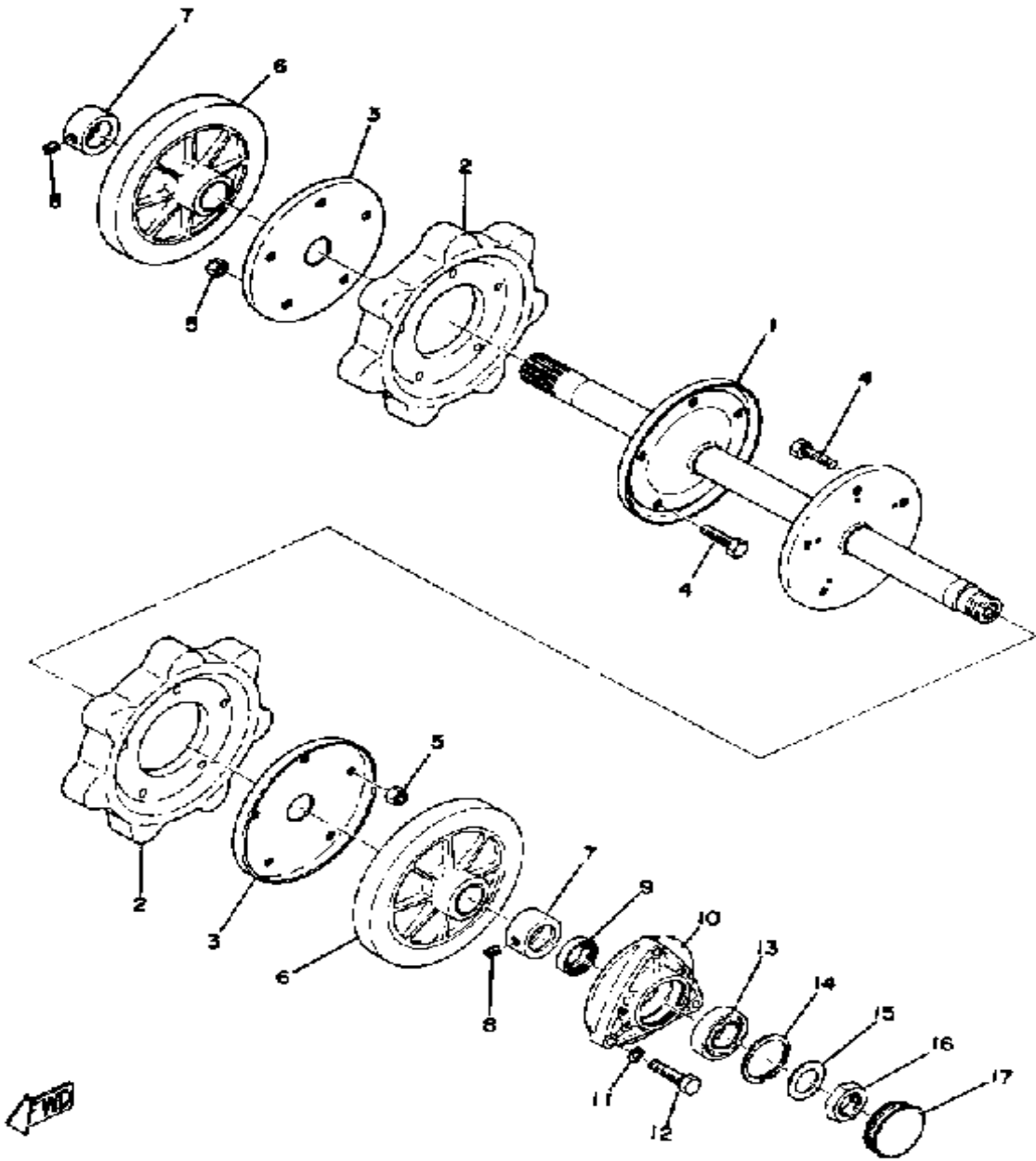
Ref. No.	Part Number	Description	Qty	Remarks
1	878-25831-00-00	DISC, BRAKE	1	
2	878-25731-00-00	BODY, CALIPER 1	1	
3	84X-25811-01-00	PAD, CALIPER 2	2	
4	878-25733-00-00	PLATE, BACK UP	1	
5	(835-25728-00-00)	CAM	1	
6	878-25726-00-00	LEVER, BRAKE	1	
7	92990-08200-00	WASHER, PLAIN	1	
8	95303-08700-00	NUT	1	
9	90149-08033-00	SCREW, SPEC'L SHAPE	1	
10	(888-23874-00-00)	HOLDER, WIRE	1	
11	97013-10040-00	BOLT	2	
12	92990-10100-00	WASHER, SPRING	2	
13	(90501-23228-00)	SPRING, COMPRESSION	1	



- 11) Cleaning  
Wash all parts in solvent, and wipe with a clean, dry cloth. Particularly, the brake disc and brake pads must be cleaned completely.
- 12) Inspection
  - 1) Check the brake pads for wear.  
If the measurement of pad is less than 4 mm., replace. (Fig. 3-19)

Property of [www.SmallEngineDiscount.com](http://www.SmallEngineDiscount.com) - Not for Resale

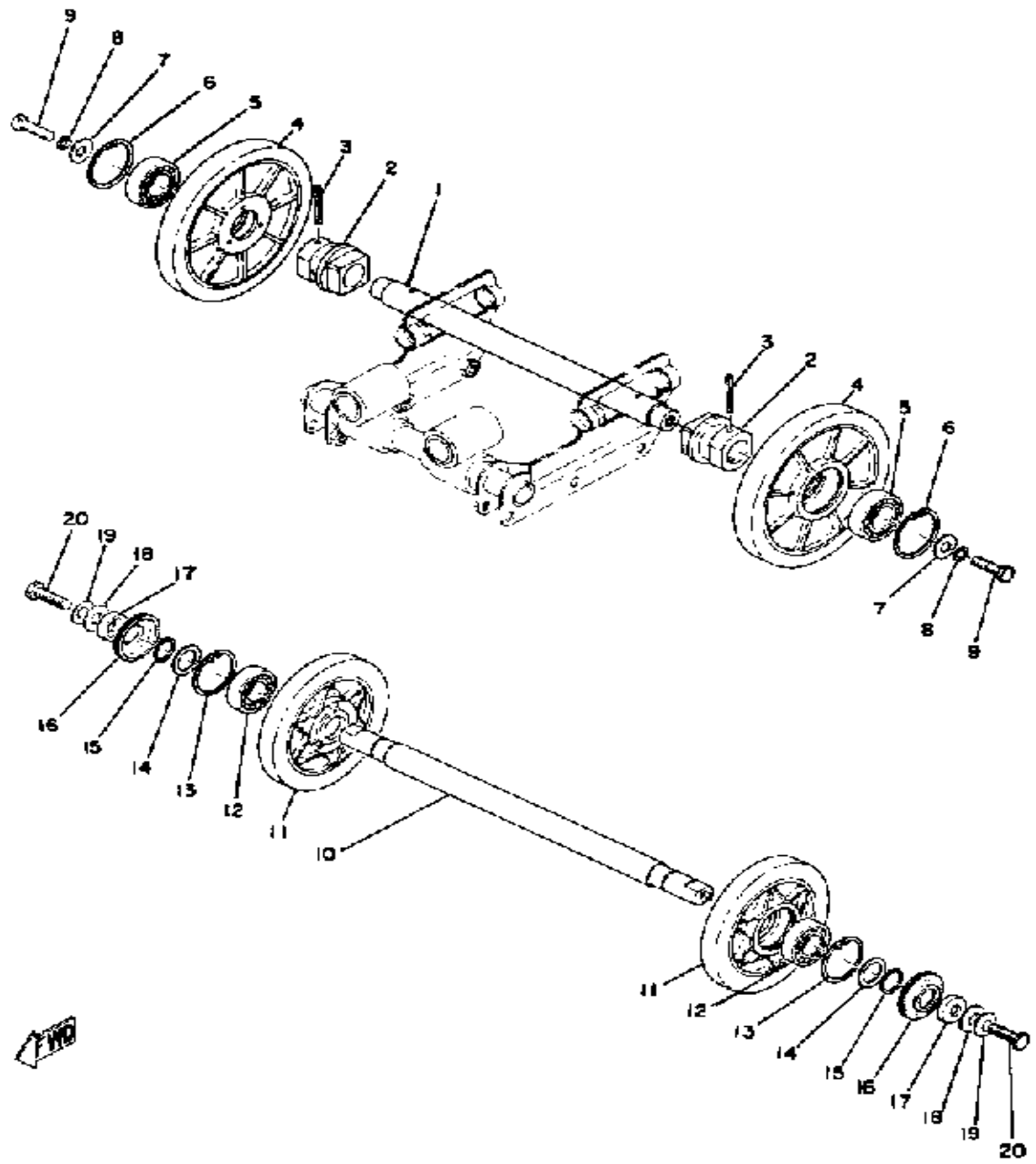
# FRONT AXLE GPX338F - GPX433F



Ref. No.	Part Number	Description	Qty	Remarks
1	(878-47510-00-00)	FRONT AXLE .....	1	
2	(856-47531-00-00)	WHEEL, SPROCKET 1 .....	2	
3	(878-47522-00-00)	RIM, SPROCKET WHL 2 .....	2	
4	97313-08030-00	BOLT, HEXAGON .....	10	
5	90185-08089-00	NUT, SELF-LOCKING .....	10	
6	(878-47530-00-00)	GUIDE WHEEL .....	2	
7	(878-47526-01-00)	COLLAR .....	2	
8	(90149-08001-00)	SCREW, SPEC'L SHAPE .....	2	
9	93102-25084-00	OIL SEAL, SD-TYPE .....	1	
10	841-47551-00-00	HOUSING, FRONT AXLE .....	1	
11	92990-08100-00	WASHER .....	3	
12	97313-08030-00	BOLT, HEXAGON .....	3	
13	93306-00412-00	BEARING .....	1	
14	93420-44029-00	CIRCLIP, R-TYPE .....	1	
15	90208-22001-00	WASHER, CONICAL SPRING ..	1	
16	90170-22094-00	NUT .....	1	
17	810-47552-00-00	CAP .....	1	

Property of [www.SmallEngineDiscount.com](http://www.SmallEngineDiscount.com) - Not for Resale

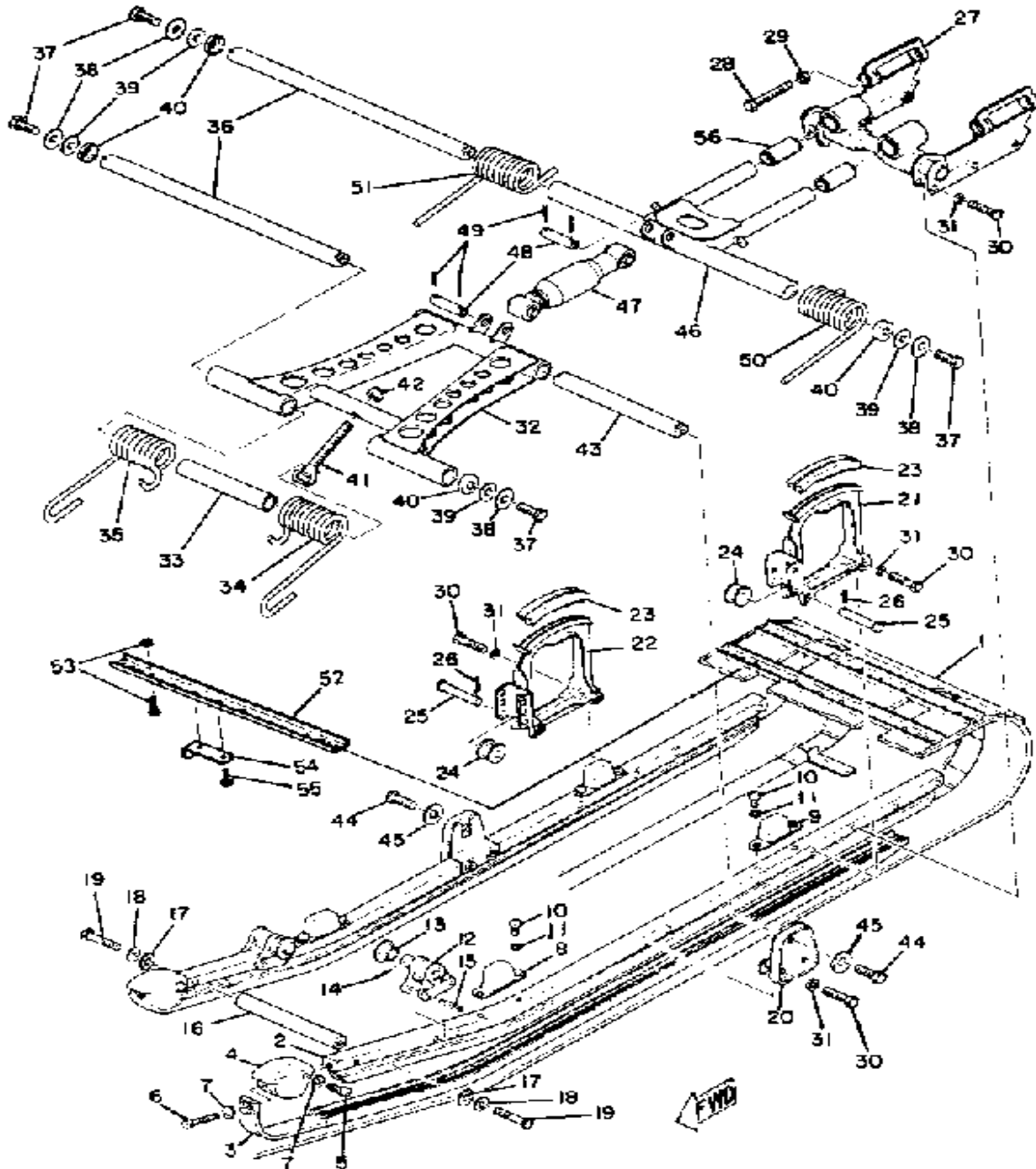
# REAR AXLE - WHEEL GPX338F - GPX433F



Ref. No.	Part Number	Description	Qty	Remarks
1	(865-47521-01-00)	AXLE, REAR	1	
2	(878-47479-00-00)	COLLAR 3	2	
3	91609-40040-00	PIN, SPRING	2	
4	(865-47535-00-00)	WHEEL, GUIDE 2	2	
5	93306-20417-00	BEARING (B62042RS)	2	
6	99009-47500-00	CIRCLIP	2	
7	90201-08772-00	WASHER, PLATE	2	
8	92990-08100-00	WASHER	2	
9	97313-08030-00	BOLT, HEXAGON	2	
10	(878-47485-00-00)	SHAFT 3	1	
11	885-47320-01-00	SUSPENSION WHEEL COMP.	2	
12	93306-00441-00	BEARING (89A) (B6004RS)	2	
13	99009-42500-00	CIRCLIP	2	
14	90201-20272-00	WASHER, PLATE	2	
15	99009-20400-00	CIRCLIP	2	
16	(829-47317-00-00)	CAP, WHEEL	2	
17	(865-47341-00-00)	SPACER	2	
18	90201-085E6-00	WASHER PLATE	2	
19	(829-16119-00-00)	SPRING, BELLEVILLE	2	
20	(90101-08024-00)	BOLT	2	

Property of [www.SmallEngineDiscount.com](http://www.SmallEngineDiscount.com) - Not for Resale

# TRACK - SUSPENSION GPX338F - GPX433F



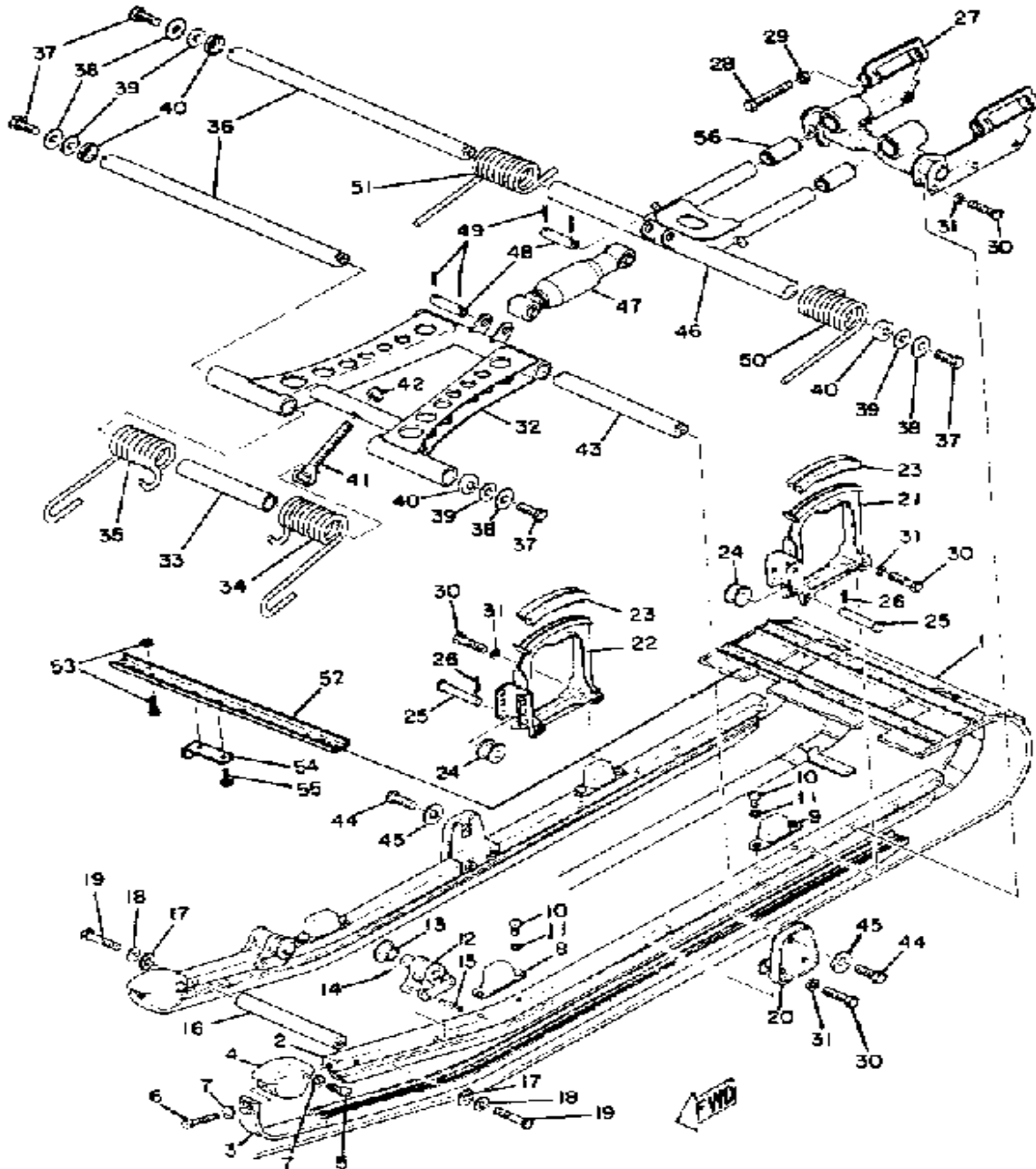
Ref. No.	Part Number	Description	Qty	Remarks
1	878-47110-01-00	TRACK ASSEMBLY	1	
2	(878-47411-01-00)	FRAME, SLIDING 1	2	
3	878-47421-00-00	RUNNER, SLIDING 1	2	
4	(878-47423-00-00)	RUNNER, SLIDING 3	2	
5	98511-06025-00	SCREW PAN HEAD (92501-06025)	2	
6	98580-06040-00	SCREW, pan head (92501-06040-00)	2	
7	90201-06057-00	WASHER, PLATE	4	
8	(865-47456-01-00)	DAMPER 1	2	
9	(865-47457-01-00)	DAMPER 2	2	
10	98503-06014-00	SCREW, PAN HEAD (92502-06016)	8	
11	92995-06100-00	WASHER, SPRING	8	
12	(865-47446-00-00)	HOOK 1	2	
13	865-47429-00-00	ROLLER	2	
14	91401-30030-00	PIN, COTTER	2	
15	91609-60036-00	PIN, SPRING	4	
16	865-47465-00-00	SHAFT 1	1	
17	90201-085E6-00	WASHER PLATE	2	
18	(829-16119-00-00)	SPRING, BELLEVILLE	2	
19	97313-08050-00	BOLT, HEXAGON (90101-08125)	2	
20	865-47415-01-00	BRACKET 1	2	
21	865-47495-00-00	STOPPER 1	1	
22	865-47496-00-00	STOPPER 2	1	
23	865-47422-00-00	RUNNER, SLIDING 2	2	
24	(865-47439-00-00)	ROLLER 2	2	
25	90240-10028-00	PIN, CLEVIS	2	
26	90468-18019-00	CLIP	2	
27	(865-47426-00-00)	BRACKET, REAR 1	1	

CONTINUED ON NEXT FRAME ➤

Property of [www.SmallEngineDiscount.com](http://www.SmallEngineDiscount.com) - Not for Resale



# TRACK - SUSPENSION GPX338F - GPX433F



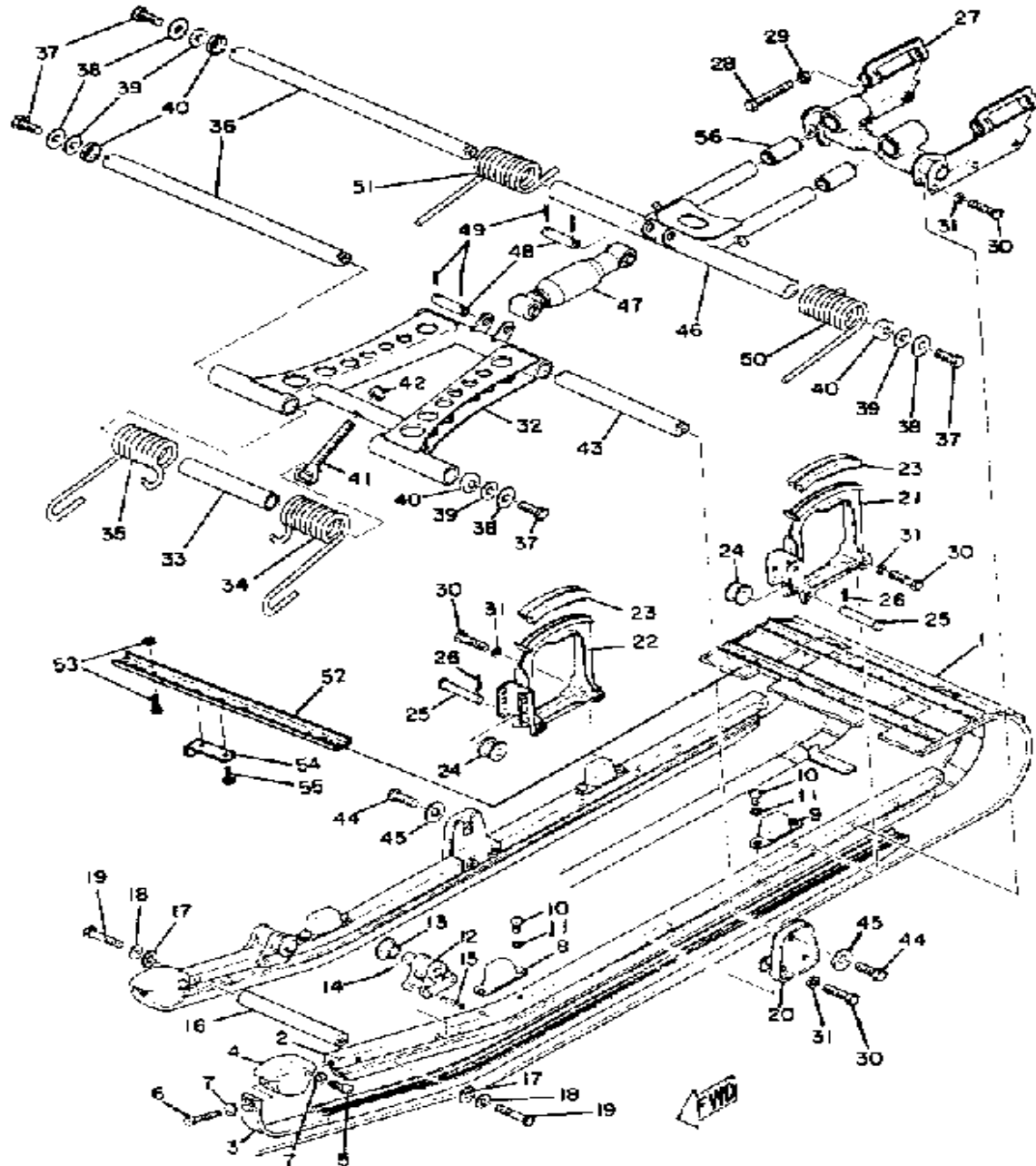
Ref. No.	Part Number	Description	Qty	Remarks
28	90101-10200-00	BOLT .....	2	
29	95303-10600-00	NUT (95301-10600) .....	2	
30	97313-08040-00	BOLT, HEXAGON (97322-08040) .....	14	
31	92990-08100-00	WASHER .....	14	
32	(878-47331-00-00)	ARM, PIVOT 1 .....	1	
33	90440-25001-00	TUBE, STRUCTURE .....	1	
34	(90508-70163-00)	SPRING, TORSION .....	1	
35	(90508-70164-00)	SPRING, TORSION .....	1	
36	(878-47337-00-00)	SHAFT, PIVOT .....	2	
37	97013-10030-00	BOLT (8J7) (97303-10030) ....	4	
38	90208-10012-00	WASHER, CONICAL SPRING ..	4	
39	90201-10437-00	WASHER, PLATE .....	4	
40	(878-47341-00-00)	SPACER .....	4	
41	865-47447-00-00	HOOK 2 .....	1	
42	90185-10031-00	NUT, SELF-LOCKING .....	1	
43	865-47475-00-00	SHAFT 2 .....	1	
44	97013-10030-00	BOLT (8J7) (97303-10030) ....	2	
45	90208-10012-00	WASHER, CONICAL SPRING ..	2	
46	878-47332-01-00	ARM, PIVOT 2 .....	1	
47	(874-47480-00-00)	SHOCK ABSORBER .....	1	
48	(865-47449-00-00)	PIN 1 .....	2	
49	91401-30030-00	PIN, COTTER .....	4	
50	90508-65160-00	SPRING, TORSION .....	1	
51	90508-65161-00	SPRING, TORSION .....	1	
52	(878-47116-00-00)	73 GPX CLEAT .....	41	SEE PARTS NEWS BULLETIN NO. 74 AND SERVICE NEWS BUL
53	ACC-12250-19-00	UNAVAILABLE IN PRICE BOOK	354	SEE PARTS NEWS BULLETIN NO. 74 AND SERVICE NEWS BUL

CONTINUED ON NEXT FRAME ►

Property of [www.SmallEngineDiscount.com](http://www.SmallEngineDiscount.com) - Not for Resale



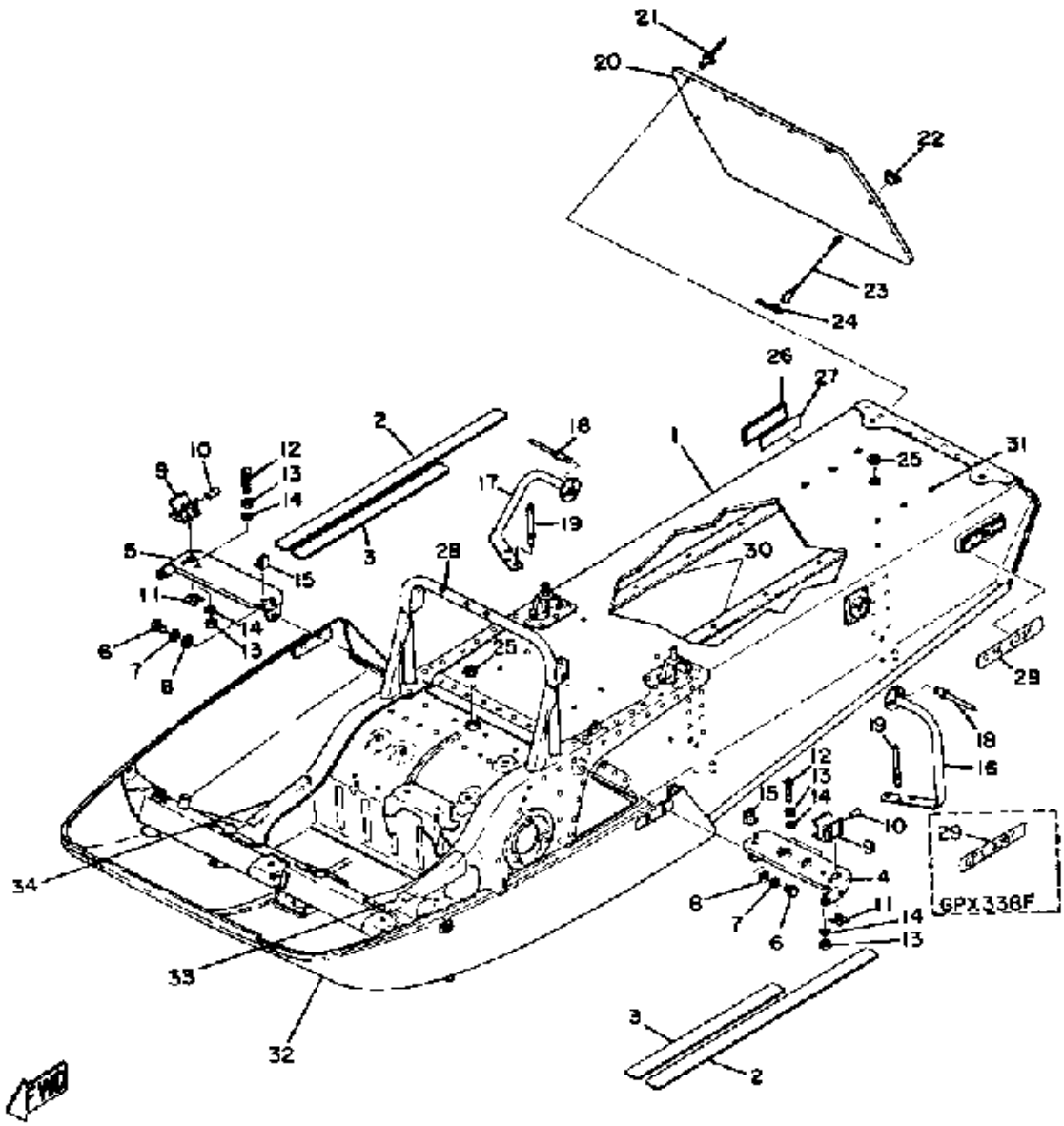
# TRACK - SUSPENSION GPX338F - GPX433F



Ref. No.	Part Number	Description	Qty	Remarks
54	878-47119-01-00	METAL, GUIDE .....	28	SEE PARTS NEWS BULLETIN NO. 74AND SERVICE NEWS BUL
55	90269-06005-00	RIVET, SPEC"L SHAPE .....	56	SEE PARTS NEWS BULLETIN NO. 74AND SERVICE NEWS BUL
56	(90386-22033-00)	BUSH, SPEC"L NYLON .....	2	S4-025

Property of [www.SmallEngineDiscount.com](http://www.SmallEngineDiscount.com) - Not for Resale

# FRAME GPX338F - GPX433F

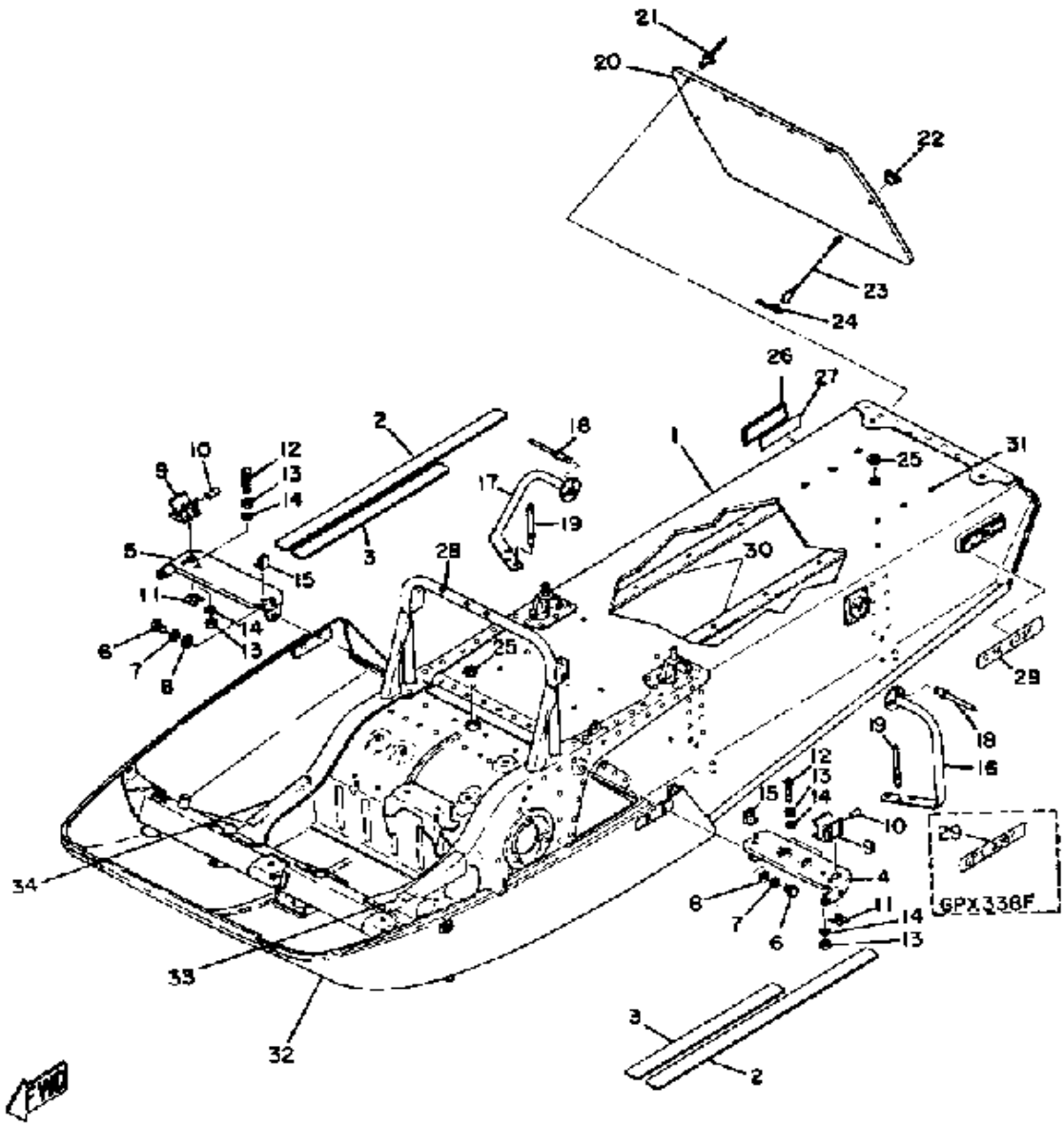


Ref. No.	Part Number	Description	Qty	Remarks
1	(878-21910-01-00)	FRAME .....	1	
2	878-27413-00-00	COVER, FOOTREST .....	2	
3	878-27423-00-00	COVER, FOOTREST .....	2	
4	(878-23883-00-00)	BRACKET 3 .....	1	
5	(878-23884-00-00)	BRACKET 4 .....	1	
6	97313-08018-00	BOLT, HEXAGON (97301-08016)	2	
7	92990-08100-00	WASHER .....	2	
8	92990-08200-00	WASHER, PLAIN .....	2	
9	878-77137-01-00	CLAMP 3 .....	2	
10	878-77188-00-00	STOPPER .....	2	
11	90468-06023-00	CLIP .....	2	
12	(878-77171-00-00)	BODY, LATCH 1 .....	2	
13	95380-06600-00	NUT .....	4	
14	92990-06200-00	WASHER .....	4	
15	90464-04010-00	CLAMP .....	2	
16	888-21926-00-00	RNFCMNT, FTRST 1FOOTREST 1 .....	1	
17	888-21936-00-00	RNFCMNT, FTRST 2FOOTREST 2 .....	1	
18	90267-48053-00	RIVET, BLIND .....	6	
19	90267-48032-00	RIVET, BLIND .....	6	
20	8F2-77595-00-00	FLAP .....	1	
21	90267-48086-00	RIVET, BLIND .....	5	PN75A
22	90338-10024-00	PLUG, SPEC'L SHAPE .....	2	
23	878-77596-00-00	STOPPER, FLAP .....	2	
24	(90468-12028-00)	CLIP .....	2	
25	810-77716-00-00	ORNAMENT, INSTRUMENT PANEL 2 .....	2	
26	81G-85130-00-00	REAR REFLECTOR ASSEMBLY	2	
27	878-85133-00-00	TAPE, REFLECTOR .....	2	

CONTINUED ON NEXT FRAME ➤

Property of [www.SmallEngineDiscount.com](http://www.SmallEngineDiscount.com) - Not for Resale

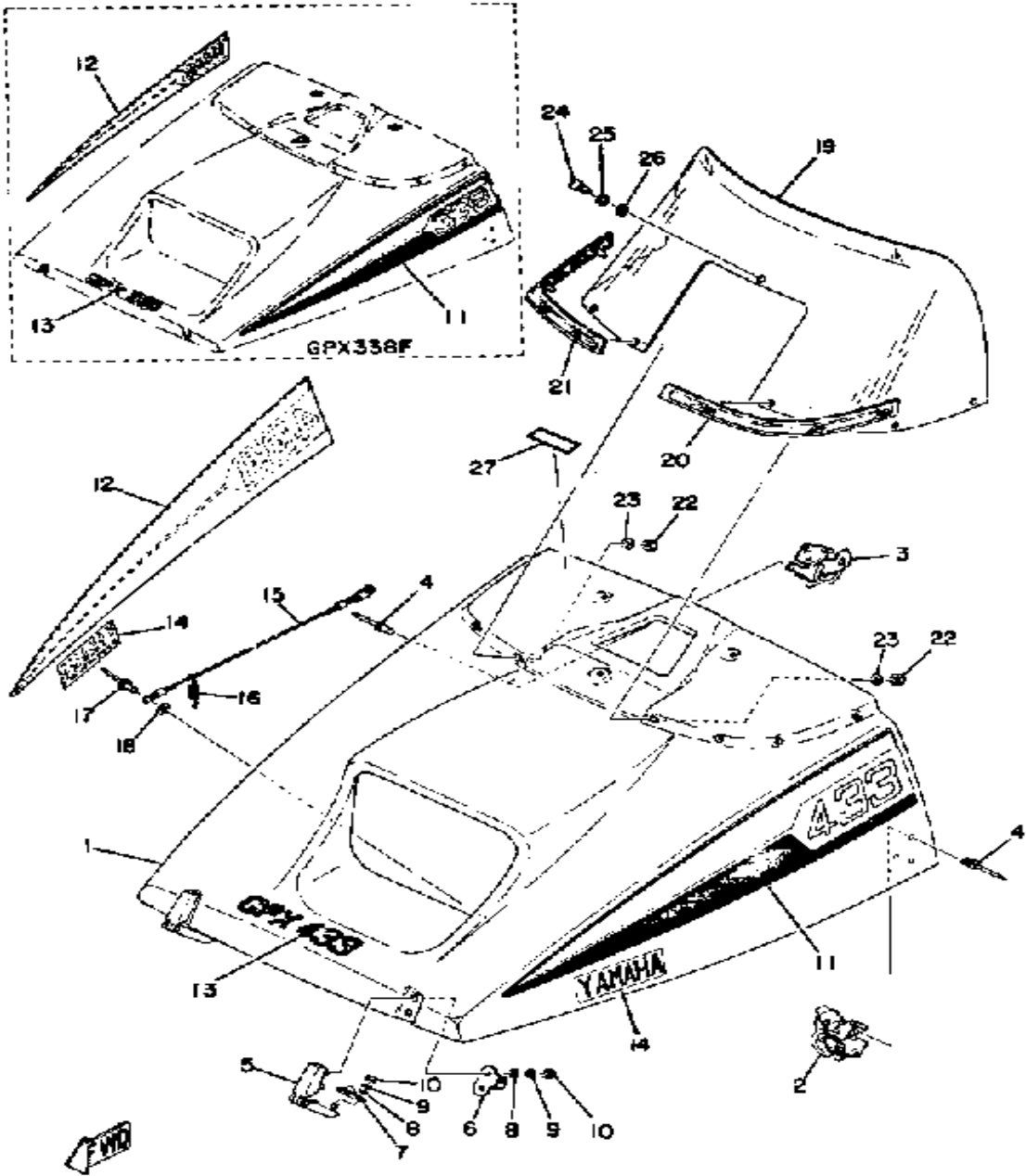
# FRAME GPX338F - GPX433F



Ref. No.	Part Number	Description	Qty	Remarks
28	437-83936-11-00	BAND, SWITCH CORD .....	2	
29	(878-77354-00-00)	EMBLEM 4 .....	2	
	879-77354-00-00	EMBLEM 4 .....	2	
30	878-21978-00-00	PROTECTOR, FRAME .....	2	PN75A
31	(90263-04008-00)	RIVET, FLAT HEAD .....	32	SNB89
32	878-21912-00-00	PANEL, SUB FRAME 1 (8E7-21912-00) .....	1	S4-012
33	(878-21961-09-00)	PATCH 1 .....	1	S4-003A
34	(878-21962-09-00)	PATCH 2 .....	1	S4-003A

Property of [www.SmallEngineDiscount.com](http://www.SmallEngineDiscount.com) - Not for Resale

# SHROUD GPX338F - GPX433F

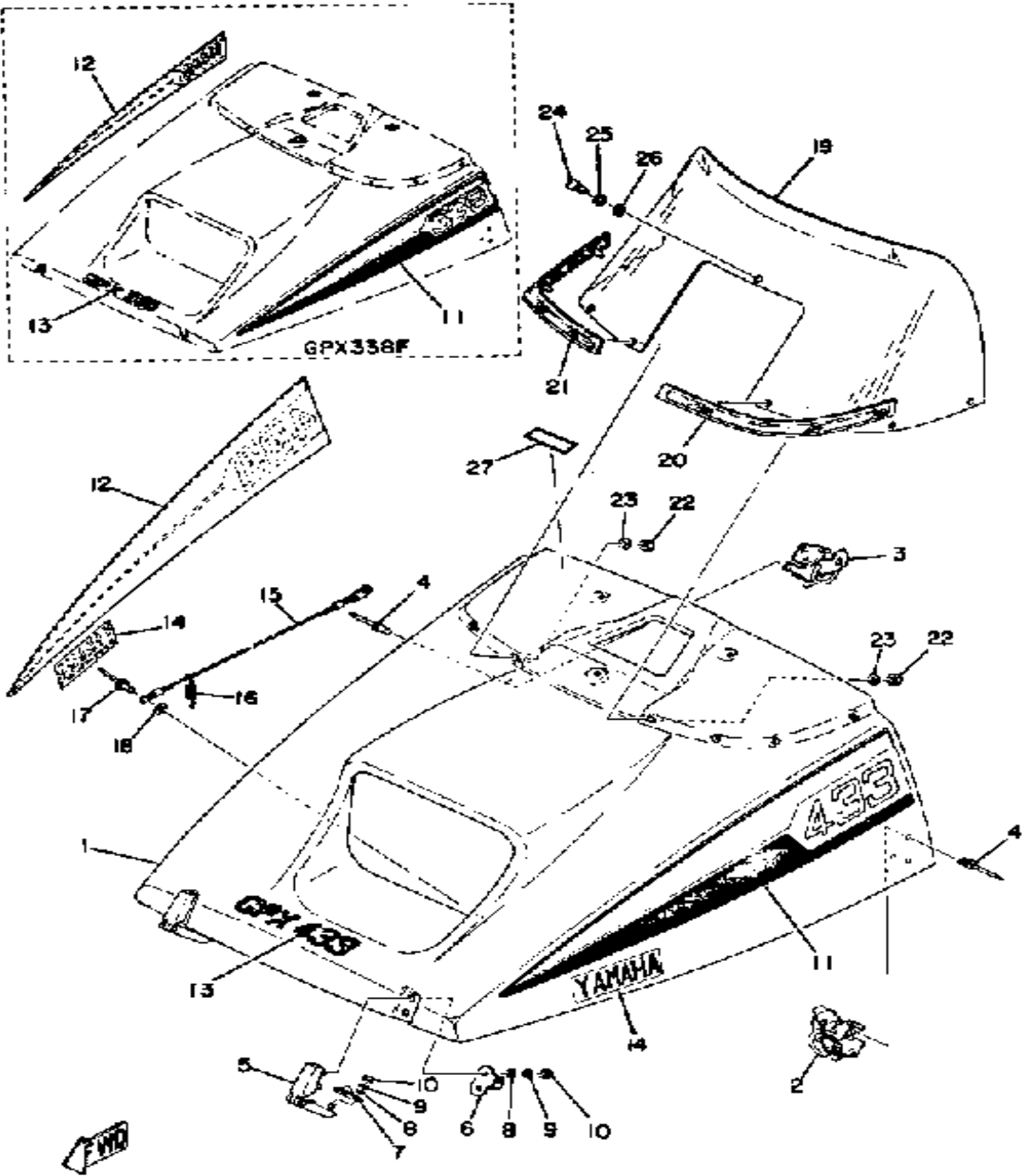


Ref. No.	Part Number	Description	Qty	Remarks
1	878-W7711-00-00	SHROUD ASSEMBLY	1	
2	878-77170-01-00	LATCH ASSEMBLY	1	
3	878-77180-01-00	LATCH ASSEMBLY	1	
4	(90267-48039-00)	RIVET, BLIND	6	
5	878-77140-00-00	HINGE ASSEMBLY	2	
6	8G6-77153-00-00	PLATE, BACK UP 1	2	
7	878-77154-00-00	PLATE, BACK UP 2	2	
8	92990-06200-00	WASHER	6	
9	92995-06100-00	WASHER, SPRING	6	
10	95380-06600-00	NUT	6	
11	(878-77163-00-00)	ORNAMENT 1	1	
	879-77163-00-00	ORNAMENT 1	1	
12	(878-77164-00-00)	ORNAMENT 2	1	
	879-77164-00-00	ORNAMENT 2	1	
13	(879-77356-00-00)	EMBLEM 6	1	
	878-77356-00-00	EMBLEM 6	1	
14	(863-77357-00-00)	EMBLEM 7	2	
15	(878-77118-01-00)	STOPPER, SHROUD	1	SSN #84
16	838-77159-00-00	CLAMP, ROD	1	
17	90267-48014-00	RIVET, BLIND	1	
18	90201-04325-00	WASHER, PLATE	1	
19	878-77210-00-00	WINDSHIELD	1	
20	878-77215-00-00	TRIM 3	1	
21	(878-77216-00-00)	TRIM 4	1	
22	90185-05028-00	NUT, SELF-LOCKING	8	
23	90201-05029-00	WASHER, PLATE	8	
24	98906-05020-00	SCREW, BIND	1	
25	92906-05100-00	WASHER, SPRING	1	
26	90201-05036-00	WASHER, PLATE	1	

CONTINUED ON NEXT FRAME ➤

Property of [www.SmallEngineDiscount.com](http://www.SmallEngineDiscount.com) - Not for Resale

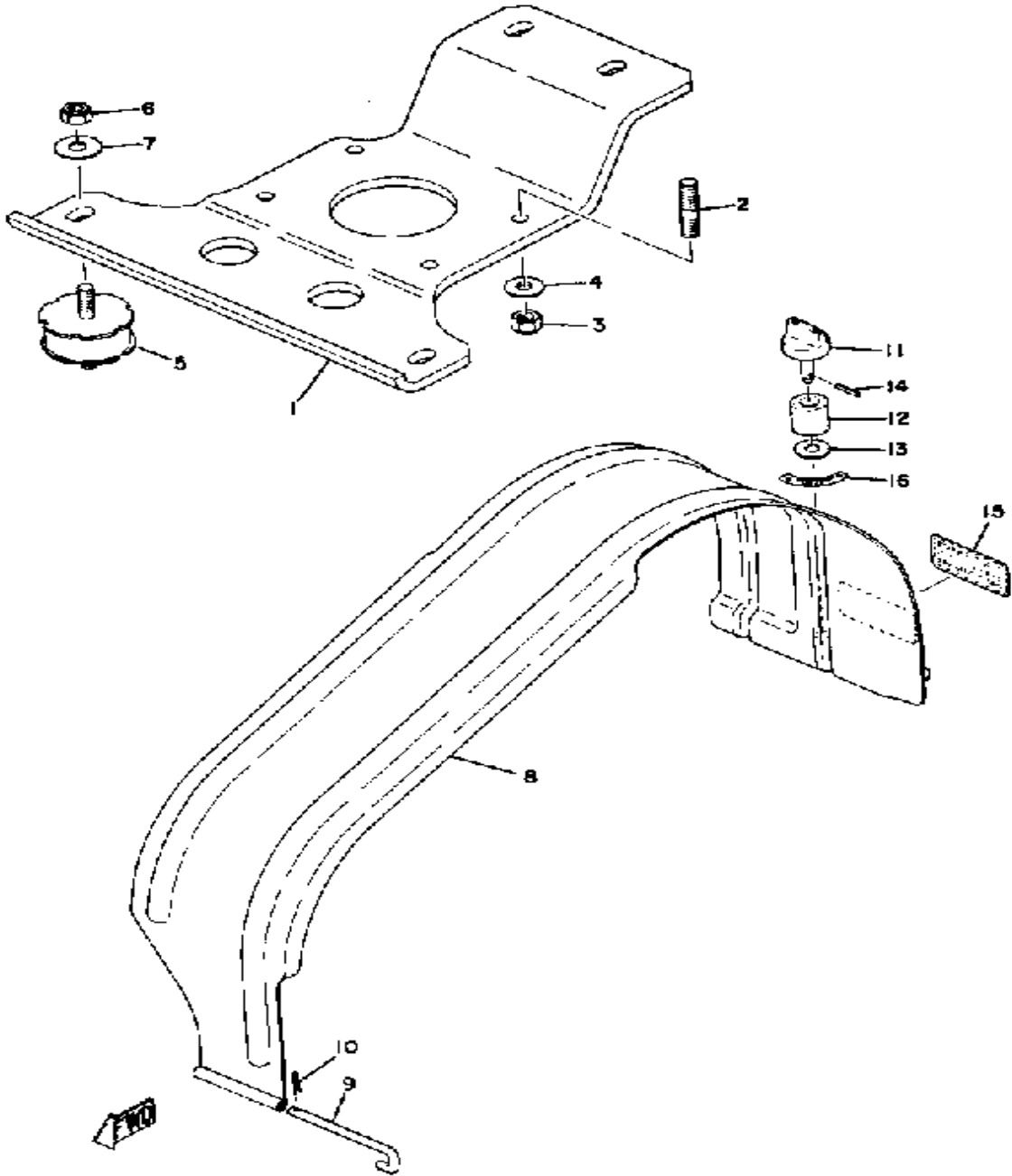
# SHROUD GPX338F - GPX433F



Ref. No.	Part Number	Description	Qty	Remarks
27	288-21659-00-00	LABEL, SAFETY .....	1	

Property of [www.SmallEngineDiscount.com](http://www.SmallEngineDiscount.com) - Not for Resale

# ENGINE BRACKET - DRIVE GUARD GPX338F

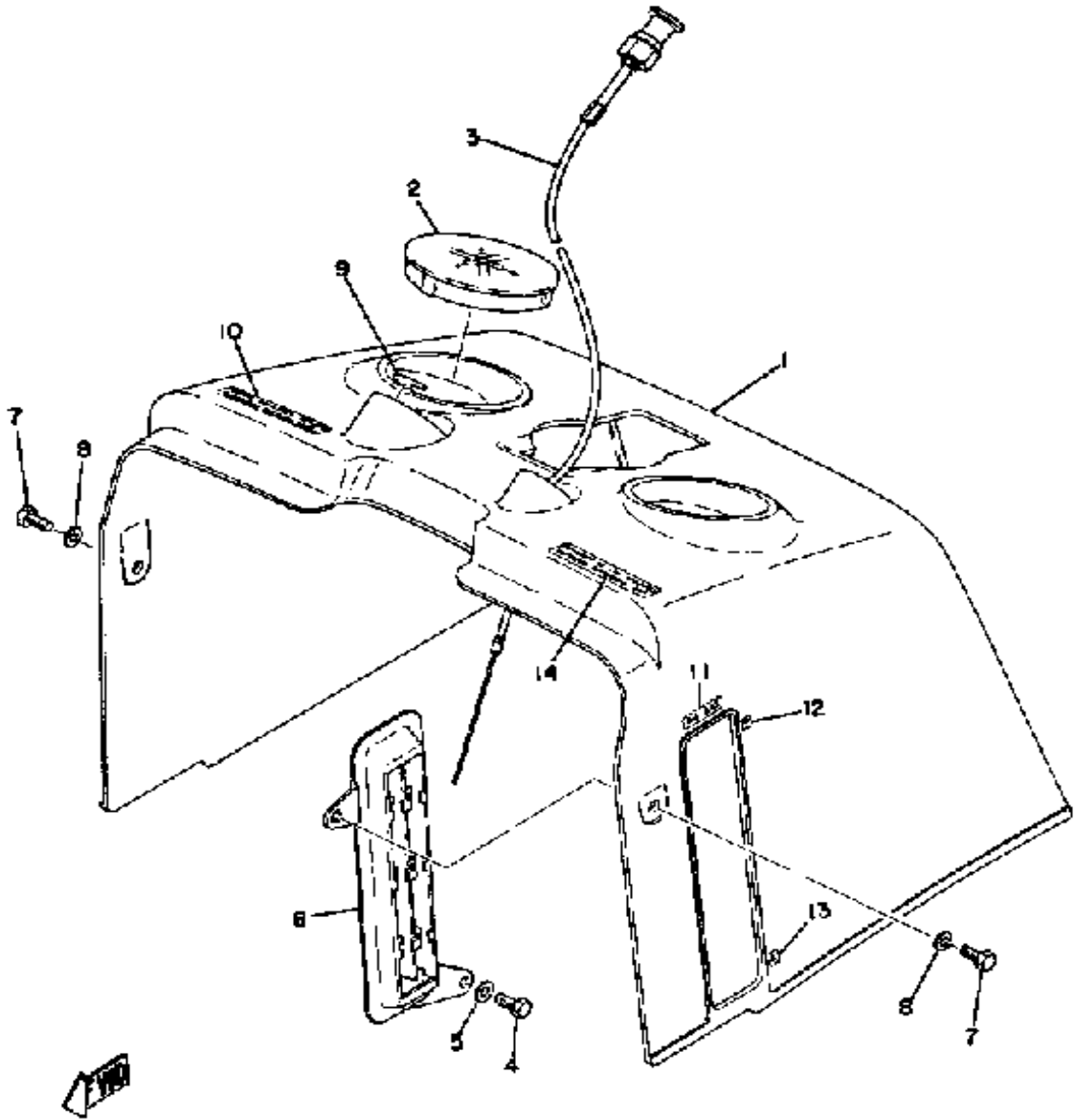


Ref. No.	Part Number	Description	Qty	Remarks
1	(878-21411-01-00)	BRACKET, ENGINE 1	1	
2	90116-10132-00	BOLT, STUD	4	
3	90185-10030-00	NUT, SELF-LOCKING	4	
4	90201-10322-00	WASHER, PLATE	4	
5	857-21486-00-00	DAMPER 2	4	
6	90185-10017-00	NUT, SELF-LOCKING	4	
7	90201-10322-00	WASHER, PLATE	4	
8	(878-77311-00-00)	GUARD, DRIVE	1	
9	90249-06027-00	PIN, SPEC'L SHAPE	1	
10	90468-10050-00	CLIP	1	
11	(829-77324-00-00)	KNOB	2	
12	90385-08009-00	BUSH, SPEC'L RUBBER	2	
13	90201-08104-00	WASHER, PLATE	2	
14	91609-40024-00	PIN, SPRING (91609-40025-00)	2	
15	(829-77365-00-00)	EMBLEM 0	1	
16	(829-77366-00-00)	EMBLEM 1	2	

Property of [www.SmallEngineDiscount.com](http://www.SmallEngineDiscount.com) - Not for Resale



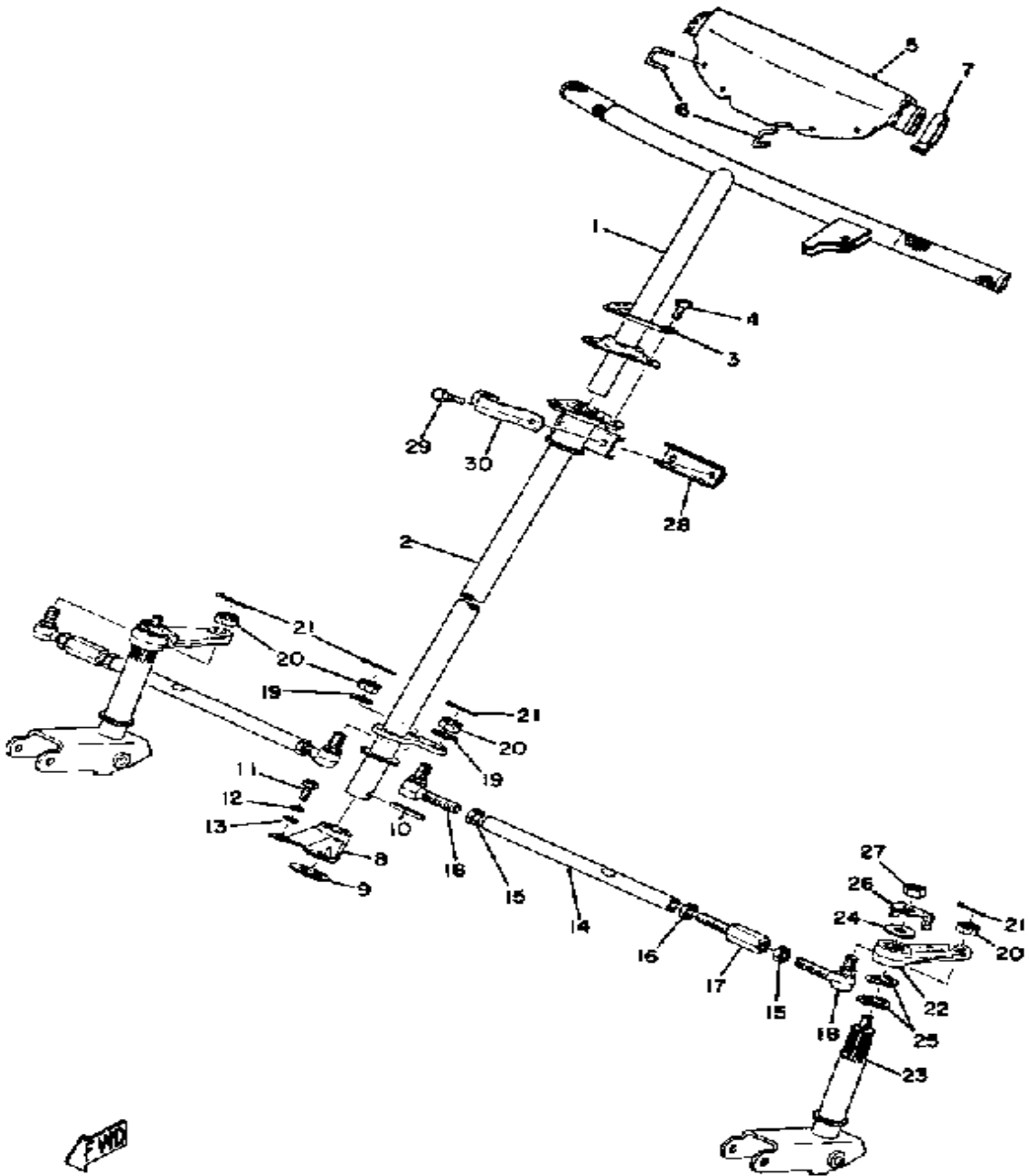
# INSTRUMENT PANEL GPX338F - GPX433F



Ref. No.	Part Number	Description	Qty	Remarks
1	(878-77711-00-00)	PANEL, INSTRUMENT .....	1	
2	(861-77715-00-00)	ORMNT, INSTR PNL 1 .....	1	
3	8A1-26331-00-00	CABLE, STARTER 1 .....	1	
4	97016-06016-00	BOLT .....	2	PN75A
5	92906-06200-00	WASHER .....	2	
6	878-21761-00-00	GAUGE, LEVEL .....	1	
7	97013-06012-00	BOLT .....	1	
8	92990-06200-00	WASHER .....	1	
9	(878-77741-00-00)	INDICATOR 1 .....	1	
10	878-77742-00-00	INDICATOR 2 .....	1	
11	878-77743-00-00	INDICATOR 3 .....	1	
12	878-77744-00-00	INDICATOR 4 .....	1	
13	878-77745-00-00	INDICATOR 5 .....	1	
14	(878-77751-00-00)	INDICATOR 6 .....	1	

Property of [www.SmallEngineDiscount.com](http://www.SmallEngineDiscount.com) - Not for Resale

# STEERING GPX338F - GPX433F

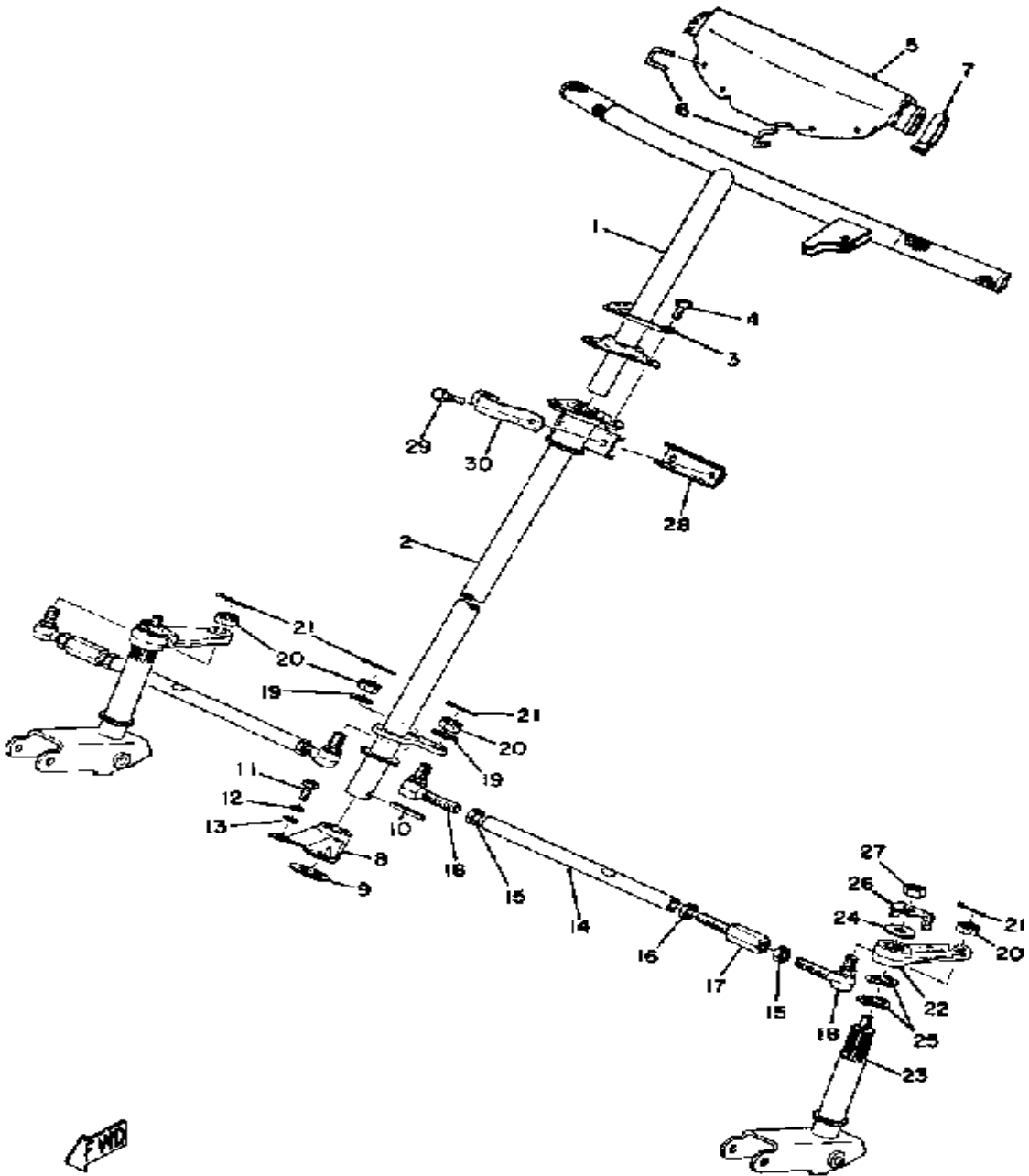


Ref. No.	Part Number	Description	Qty	Remarks
1	(878-23811-00-00)	COLUMN, STEERING .....	1	
2	8E7-23813-00-00	COLUMN, STEERING 2 .....	1	
3	(90215-07053-00)	WASHER, LOCK .....	1	
4	97013-06012-00	BOLT .....	3	
5	878-23815-01-00	PAD, STEERING (878-23815-00)	1	
6	(90465-05024-00)	CLAMP .....	4	
7	437-83936-01-00	BAND, SWITCH CORD .....	2	
8	(878-23868-00-00)	BRACKET, STRG LOWER .....	1	
9	(856-23812-00-00)	BEARING, STEERING .....	1	
10	91609-60040-00	PIN, SPRING .....	1	
11	97313-06016-00	BOLT, HEXAGON .....	2	
12	92995-06100-00	WASHER, SPRING .....	2	
13	92903-00620-00	UNAVAILABLE IN PRICE BOOK	2	
14	(878-23821-00-00)	ROD, STEERING RELAY .....	2	
15	90170-10082-00	NUT, HEXAGON (802-23833-00)	4	
16	(90170-10135-00)	NUT, HEXAGON .....	2	
17	878-23822-00-00	JOINT 1 .....	2	
18	(878-23841-90-00)	JOINT, UNIVERSAL 1 .....	4	
19	92990-10200-00	WASHER, PLAIN .....	2	
20	95306-10900-00	NUT, SLOTTED .....	4	
21	91401-25030-00	PIN, COTTER .....	4	
22	888-23851-00-00	ARM, OUTSIDE 1 .....	2	
23	(878-23853-00-00)	COLUMN, SKI 1 .....	2	
24	90201-10437-00	WASHER, PLATE .....	2	
25	90206-20037-00	WASHER, WAVE .....	4	
26	90215-10096-00	WASHER, LOCK .....	2	
27	95303-10600-00	NUT (95301-10600) .....	2	
28	(878-23872-00-00)	HOLDER, BEARING .....	1	
29	97313-06030-00	BOLT, HEXAGON .....	2	

CONTINUED ON NEXT FRAME ➤

Property of [www.SmallEngineDiscount.com](http://www.SmallEngineDiscount.com) - Not for Resale

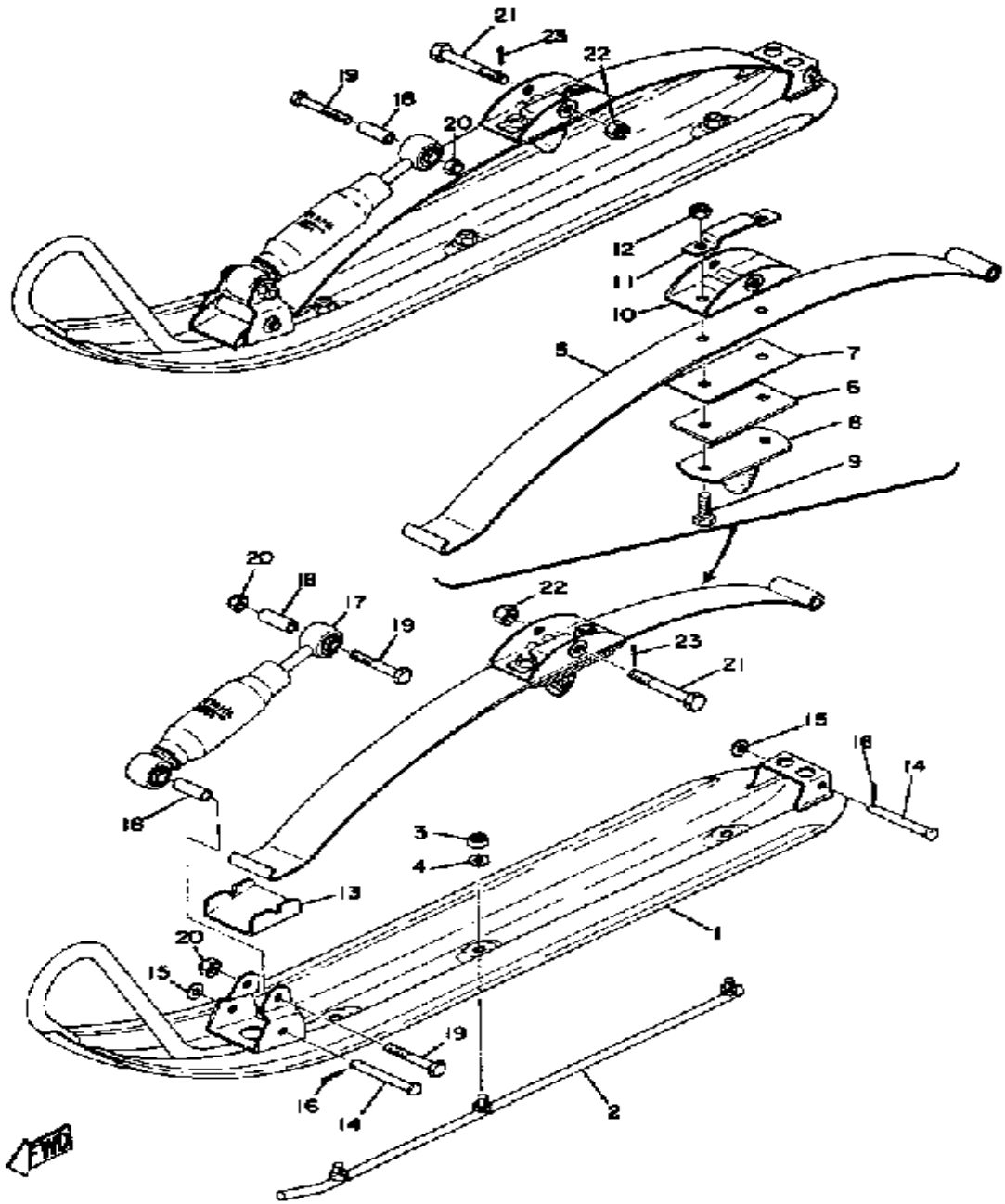
# STEERING GPX338F - GPX433F



Ref. No.	Part Number	Description	Qty	Remarks
30	341-26397-01-00	BAND .....	1	

Property of [www.SmallEngineDiscount.com](http://www.SmallEngineDiscount.com) - Not for Resale

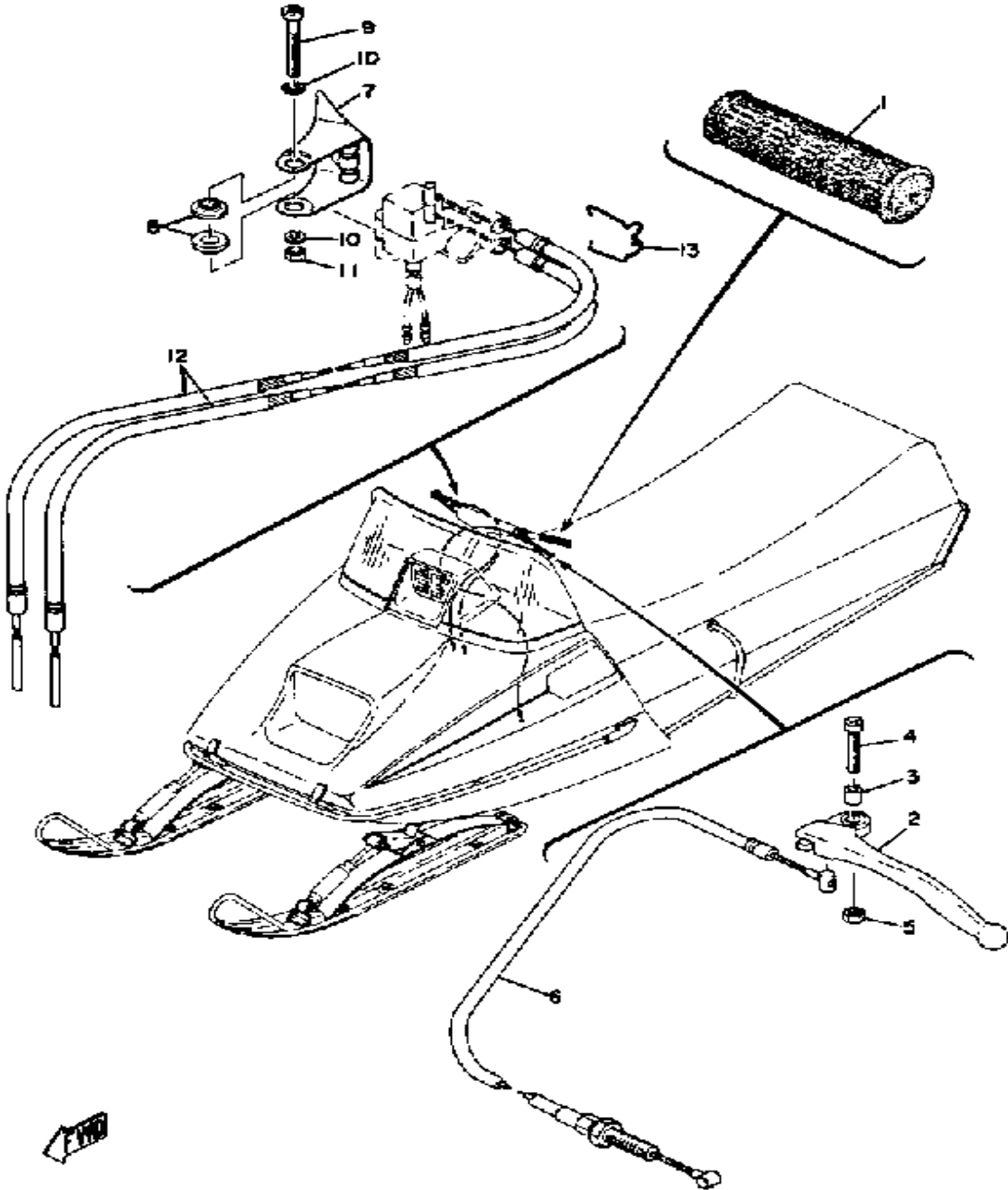
# SKI GPX338F - GPX433F



Ref. No.	Part Number	Description	Qty	Remarks
1	(878-23710-00-00)	SKI 1	2	
2	878-23731-01-00	RUNNER 1	2	
3	90185-08089-00	NUT, SELF-LOCKING	6	
4	92906-08200-00	WASHER	6	
5	878-23761-00-00	. LEAF 1	2	
6	(878-23774-00-00)	PLATE	2	
7	(878-23775-00-00)	INSERT	2	
8	878-23768-00-00	. SEAT, SPRING 1	2	
9	90101-10060-00	. BOLT	4	
10	806-23766-00-00	. SADDLE 1	2	
11	90209-10069-00	. WASHER, SPEC'L SHAP	2	
12	95701-10500-00	. NUT, FLANGE (95702-10500)	4	
13	878-23735-00-00	PLATE, WEAR 1	2	
14	90240-08019-00	PIN, CLEVIS	4	
15	92906-08200-00	WASHER	4	
16	91401-30020-00	PIN, COTTER	4	
17	(878-23350-00-00)	SHOCK ABSORBER ASSEMBLY	2	
18	90387-08262-00	COLLAR	4	
19	97026-08055-00	BOLT	4	
20	90185-08089-00	NUT, SELF-LOCKING	4	
21	90102-10023-00	BOLT, WITH HOLE	2	
22	95306-10900-00	NUT, SLOTTED	2	
23	91490-20025-00	PIN, SPLIT	2	
-1	(878-23760-00-00)	SPRING ASSEMBLY 1	1	
-2	(878-23770-00-00)	SPRING ASSEMBLY 2	1	

Property of [www.SmallEngineDiscount.com](http://www.SmallEngineDiscount.com) - Not for Resale

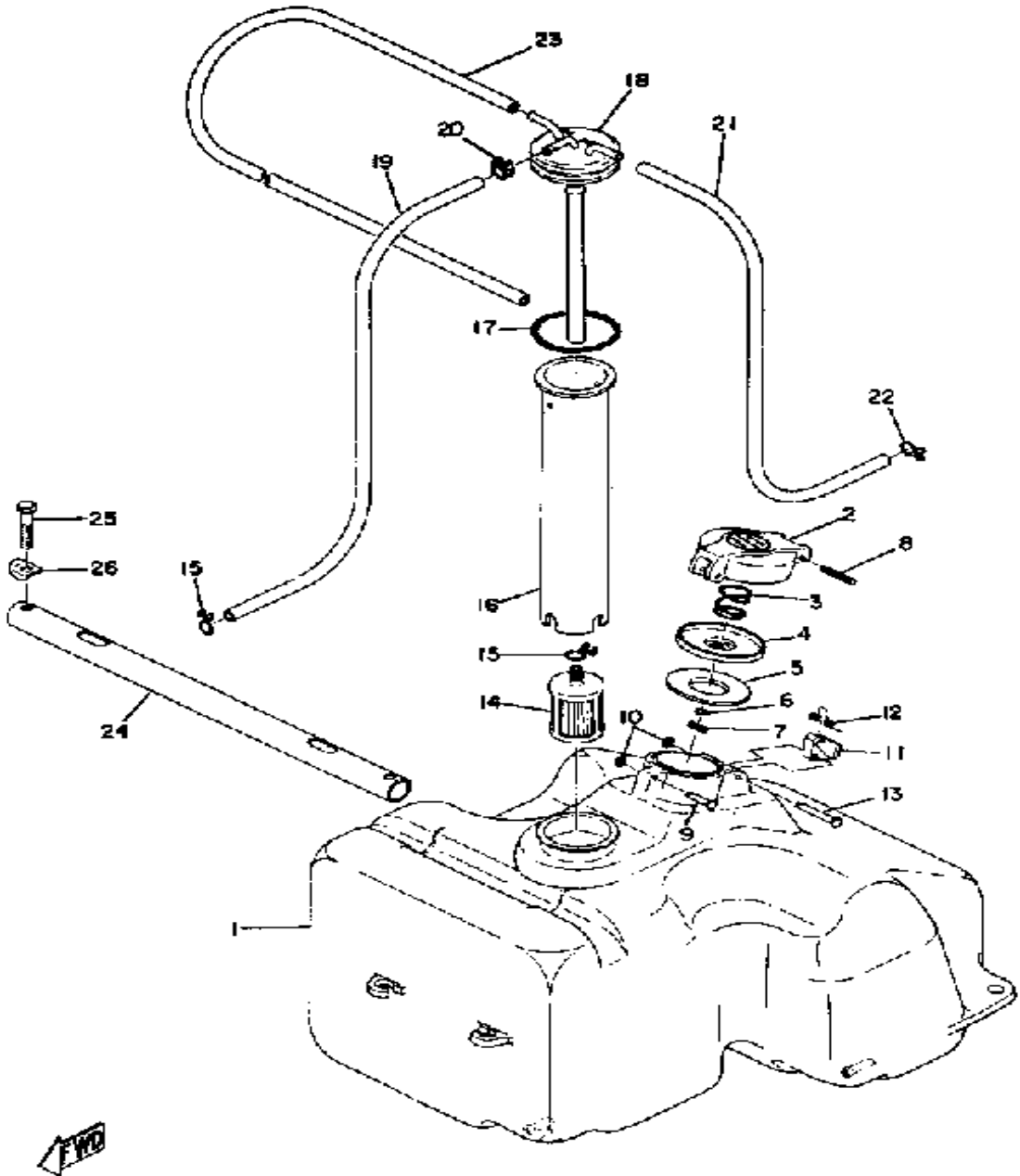
# GRIP - WIRING GPX338F - GPX433F



Ref. No.	Part Number	Description	Qty	Remarks
1	801-26241-01-00	GRIP .....	1	
2	803-83912-00-38	LEVER 1 .....	1	
3	802-83913-00-00	COLLAR, LEVER 1 .....	1	
4	90157-05006-00	SCREW, PAN HEAD (803-83915-00) .....	1	
5	95311-05700-00	NUT .....	1	
6	(878-26340-00-00)	CABLE, BRAKE .....	1	
7	878-42138-00-00	LEVER, THROTTLE (858-42138-00) .....	1	
8	90387-062M9-00	COLLAR .....	2	
9	90157-06004-00	SCREW, PAN HEAD (810-83925-00) .....	1	
10	92990-06200-00	WASHER .....	2	
11	95380-06700-00	NUT .....	1	
12	878-26311-00-00	CABLE, THROTTLE 1 .....	2	
13	(878-26391-00-00)	CLIP, CABLE .....	1	

Property of [www.SmallEngineDiscount.com](http://www.SmallEngineDiscount.com) - Not for Resale

# FUEL TANK GPX338F - GPX433F

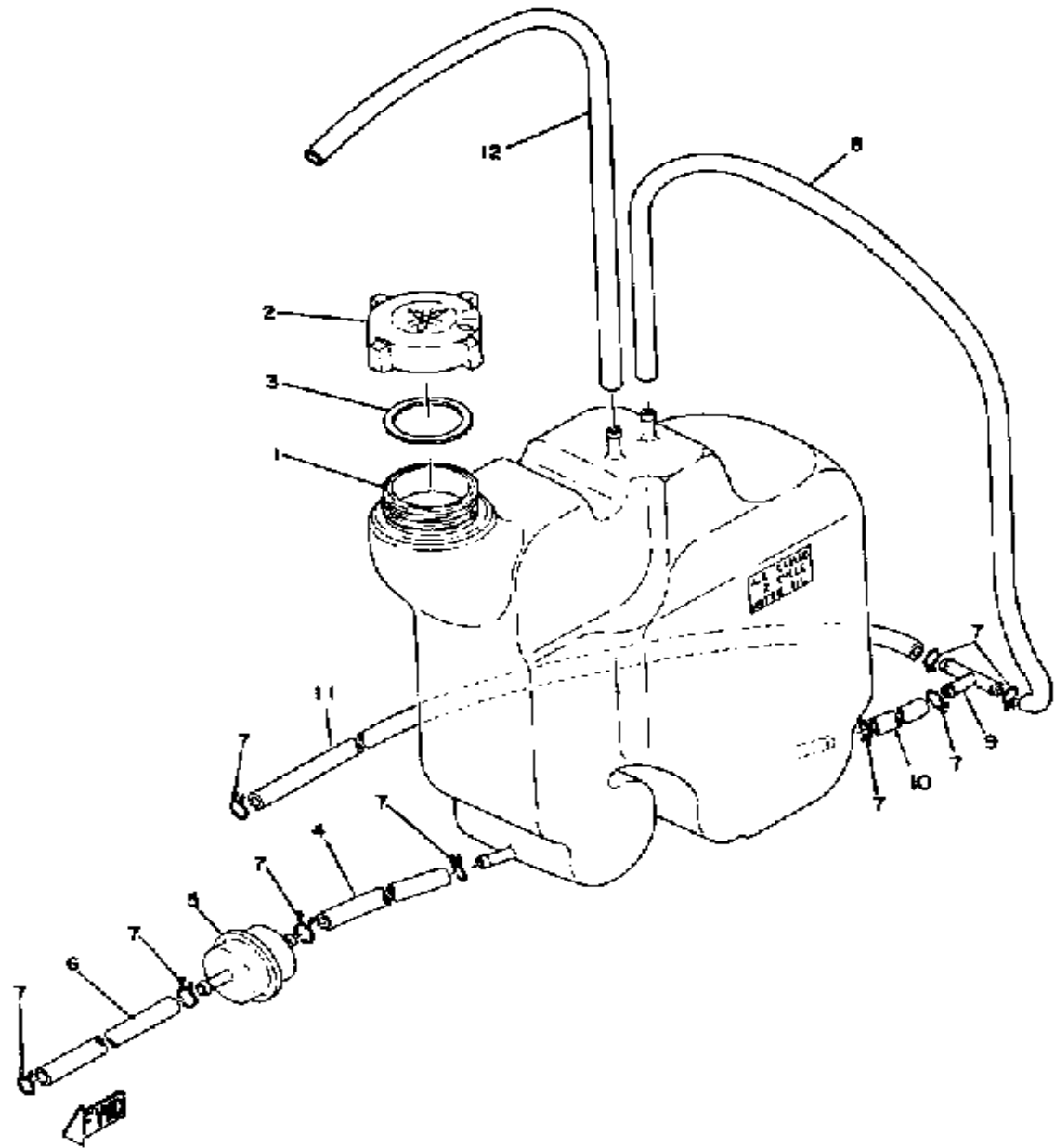


Ref. No.	Part Number	Description	Qty	Remarks
1	813-24611-01-00	. BODY, CAP .....	1	
	8A5-24111-00-00	. FUEL TANK .....	1	
	99999-00954-00	FUEL TANK (878-24111-00) ...	1	
2	(878-24611-00-00)	BODY, CAP .....	1	
3	90501-20130-00	SPRING, COMPRESSION .....	1	
4	813-24613-01-00	DISC, CAP .....	1	
5	256-24612-00-00	GASKET, CAP .....	1	
6	93210-04122-00	O-RING .....	1	
7	91609-30016-00	PIN, SPRING .....	1	
8	91609-25032-00	PIN, SPRING .....	1	
9	90249-03016-00	PIN, SPEC'L SHAPE .....	1	
10	93430-02001-00	CIRCLIP .....	2	
11	83M-24628-00-00	HOOK .....	1	
12	90508-08003-00	SPRING, TORSION (813-24637-00) .....	1	
13	90249-03017-00	PIN .....	1	
14	8H5-24560-00-00	FILTER ASSEMBLY .....	1	
15	90467-11009-00	CLIP .....	2	
16	838-24336-00-00	PIPE, SUCTION 2 .....	1	
17	90506-06065-00	SPRING, TENSION .....	1	
18	(878-24335-00-00)	PIPE, SUCTION 1 .....	1	
19	(806-24314-00-00)	PIPE 4 .....	1	
20	90460-11002-00	CLAMP, HOSE .....	1	
21	90446-09060-00	HOSE .....	1	
22	810-24356-00-00	CLIP, PIPE 1 .....	1	
23	90446-09051-00	HOSE (806-24319-00) .....	1	
24	(878-24173-01-00)	BAND, TNK FITTING 1 .....	1	
25	97313-06040-00	BOLT, HEXAGON .....	2	
26	(90215-06048-00)	WASHER, LOCK .....	2	

Property of [www.SmallEngineDiscount.com](http://www.SmallEngineDiscount.com) - Not for Resale



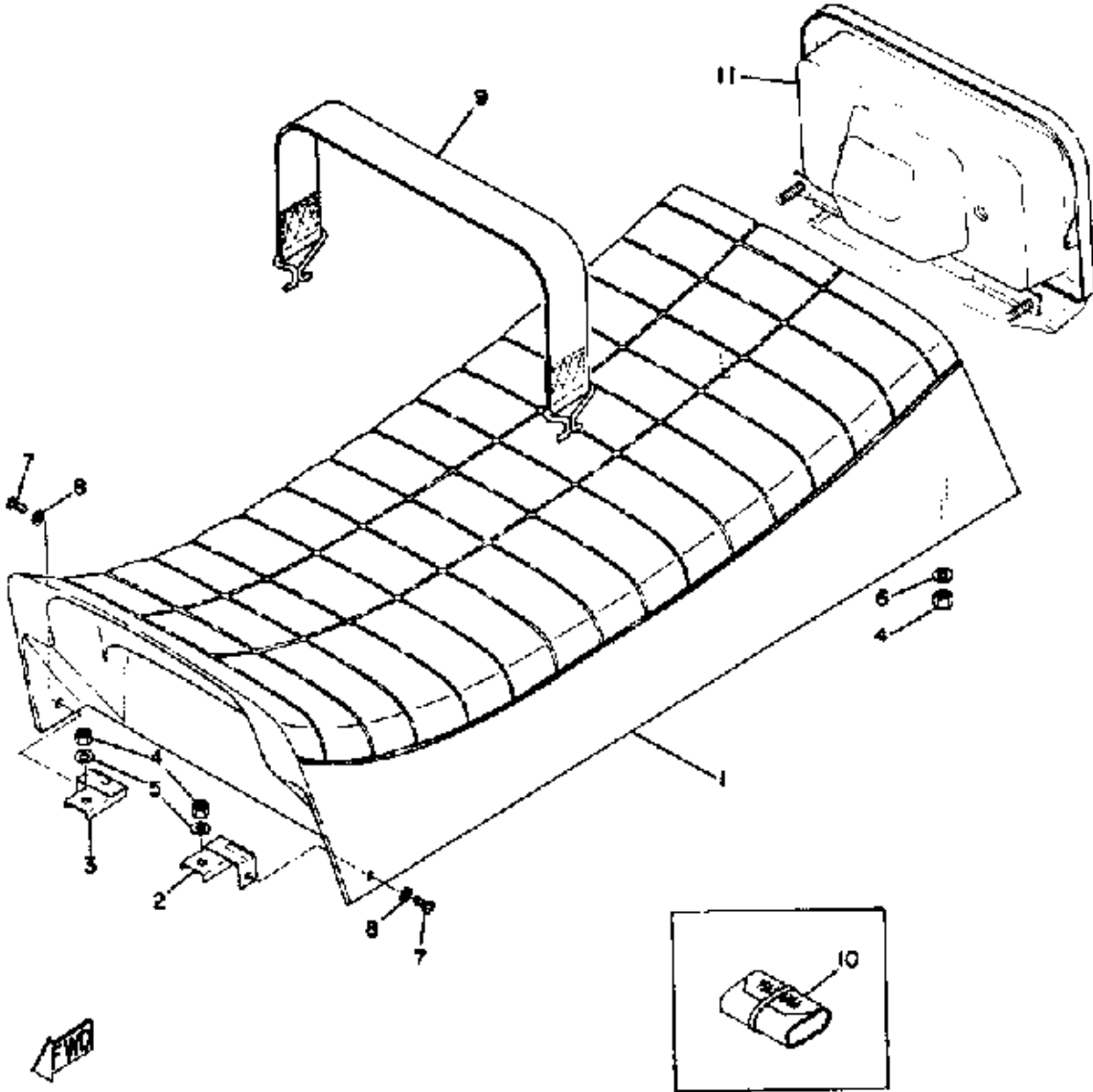
# OIL TANK GPX338F - GPX433F



Ref. No.	Part Number	Description	Qty	Remarks
1	878-21751-01-00	TANK, OIL .....	1	
2	863-21771-00-00	BODY, CAP .....	1	
3	90430-31003-00	GASKET .....	1	
4	90446-09067-00	HOSE .....	1	
5	J10-13410-00-00	STRAINER HSNG ASSEMBLY .	1	
6	90446-09068-00	HOSE .....	1	
7	(810-24358-00-00)	CLIP, PIPE 3 .....	9	
8	90446-09059-00	HOSE .....	1	
9	801-24376-00-00	PIPE, JOINT 1 .....	1	
10	90446-09065-00	HOSE .....	1	
11	90446-09013-00	HOSE (90446-09079) .....	1	
12	91A20-05036-00	TUBE, FLEXIBLE .....	1	

Property of [www.SmallEngineDiscount.com](http://www.SmallEngineDiscount.com) - Not for Resale

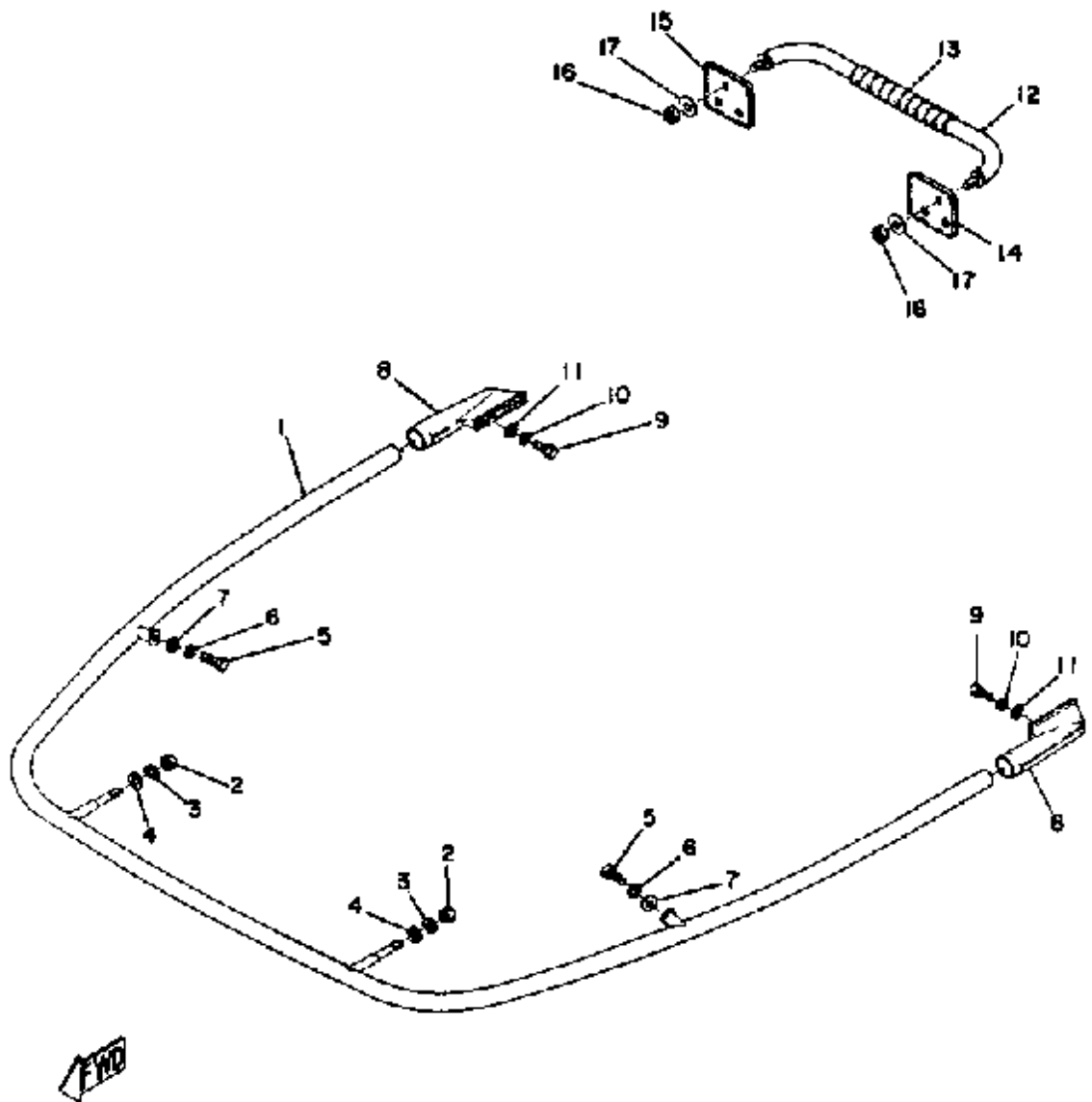
# SEAT GPX338F - GPX433F



Ref. No.	Part Number	Description	Qty	Remarks
1	(8E7-24730-00-00)	DOUBLE SEAT ASSEMBLY ...	1	
2	(878-24738-00-00)	BRACKET, SEAT .....	1	
3	(878-24748-00-00)	BRACKET, SEAT .....	1	
4	90185-08089-00	NUT, SELF-LOCKING .....	4	
5	90201-08104-00	WASHER, PLATE .....	2	
6	92990-08200-00	WASHER, PLAIN .....	2	
7	98906-06016-00	SCREW, BIND .....	2	
8	90201-06059-00	WASHER, PLATE .....	2	
9	878-24734-00-00	BAND, SEAT .....	1	
10	(878-28100-10-00)	TOOL KIT .....	1	
11	(888-77360-00-00)	TOOL BOX LID ASSEMBLY ...	1	
1-1	(878-24731-00-00)	COVER, DOUBLE SEAT .....	1	

Property of [www.SmallEngineDiscount.com](http://www.SmallEngineDiscount.com) - Not for Resale

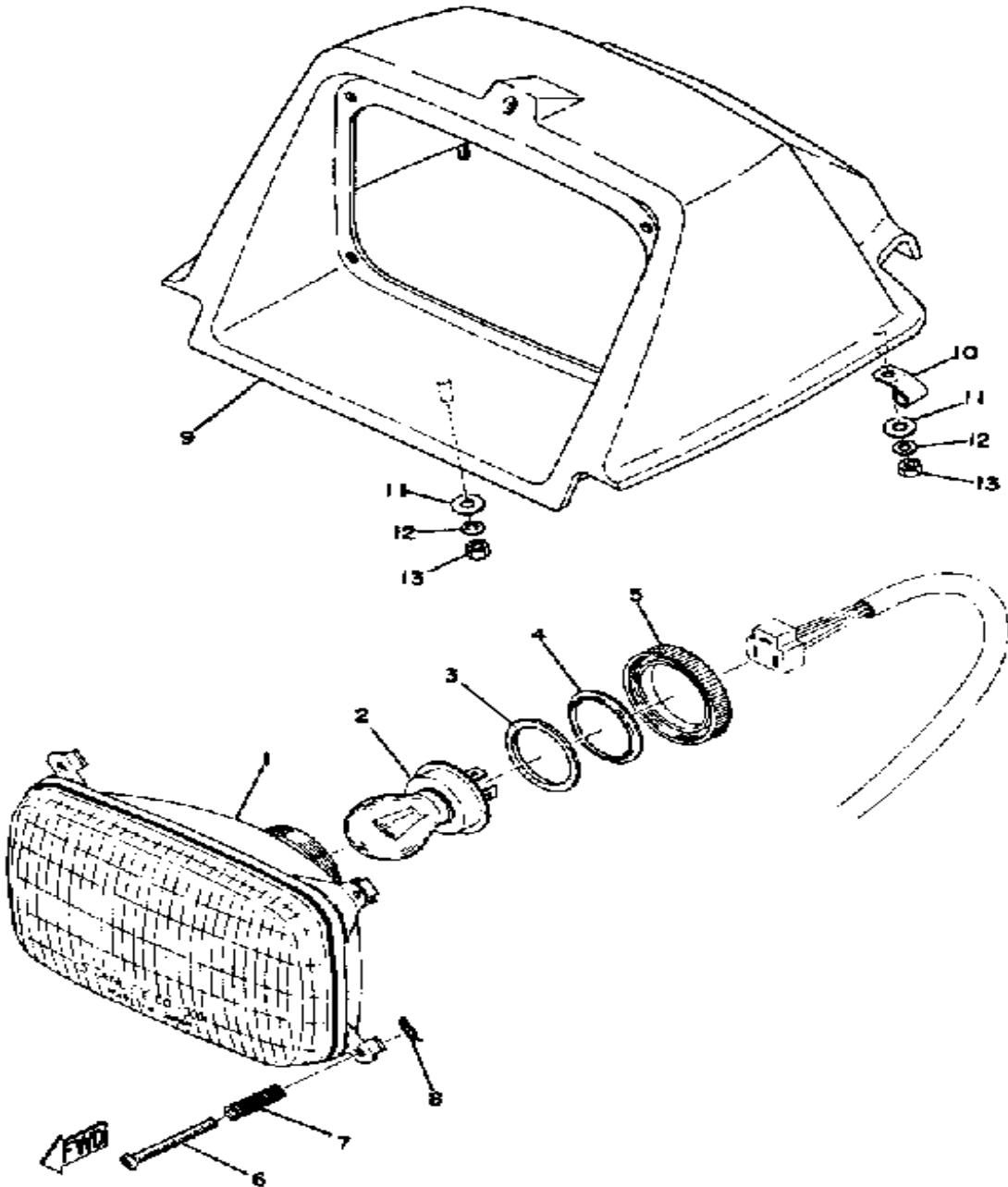
# BUMPER GPX338F - GPX433F



Ref. No.	Part Number	Description	Qty	Remarks
1	878-77510-00-00	FRONT BUMPER .....	1	
2	95333-08600-00	NUT .....	2	
3	92990-08100-00	WASHER .....	2	
4	92990-08200-00	WASHER, PLAIN .....	2	
5	97310-80200-0	UNAVAILABLE IN PRICE BOOK (97201-08020) .....	2	
6	92990-08100-00	WASHER .....	2	
7	92990-08200-00	WASHER, PLAIN .....	2	
8	878-77523-01-00	END, BUMPER .....	2	
9	97001-05018-00	BOLT HEXAGON .....	4	
10	92990-05100-00	WASHER, SPRING .....	4	
11	92990-05200-00	WASHER, PLAIN .....	4	
12	878-77541-00-00	BUMPER, REAR 1 .....	1	
13	838-77575-00-00	COVER, ASSIST GRIP .....	1	
14	(878-77525-00-00)	WASHER 1 .....	1	
15	(878-77526-00-00)	WASHER 2 .....	1	
16	90185-08089-00	NUT, SELF-LOCKING .....	2	
17	90201-085E6-00	WASHER PLATE .....	2	

Property of [www.SmallEngineDiscount.com](http://www.SmallEngineDiscount.com) - Not for Resale

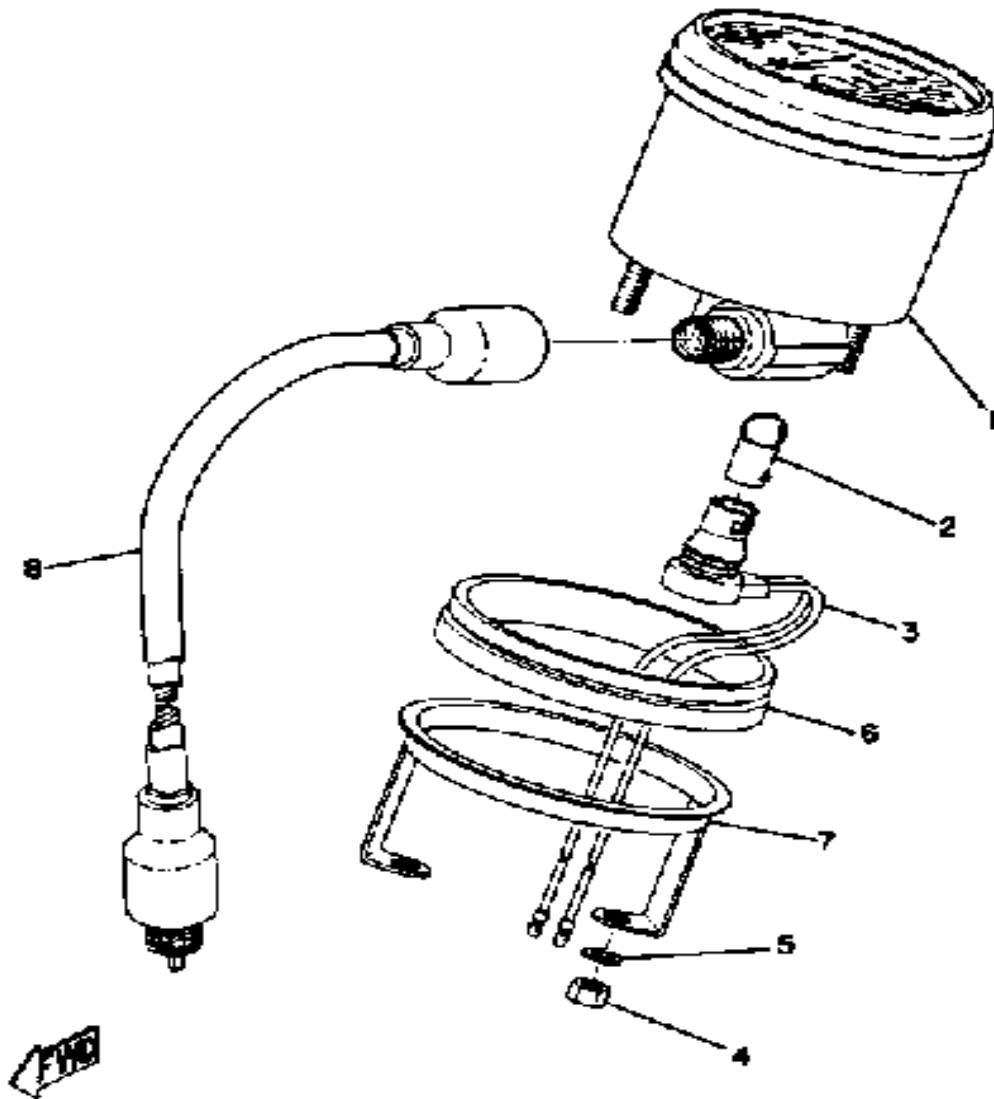
# HEAD LAMP GPX338F - GPX433F



Ref. No.	Part Number	Description	Qty	Remarks
1	(838-84320-01-00)	LENS ASSEMBLY	1	
2	838-84314-00-00	. BULB, HEADLIGHT	1	
3	838-84327-00-00	. WASHER, SPECIAL	1	
4	838-84328-00-00	. SPACER	1	
5	838-84317-00-00	. NUT	1	
6	8M6-84331-00-00	. SCREW, RIM ADJUSTING (8A5-84331-00-00)	1	
7	8A5-84332-00-00	. SPRING, SCREW	1	
8	(807-84351-00-00)	CLAMP, CORD	1	
9	(878-84311-00-00)	BODY, HEADLIGHT	1	
10	90465-06013-00	CLAMP	1	
11	90201-05029-00	WASHER, PLATE	3	
12	92990-05100-00	WASHER, SPRING	3	
13	95380-05600-00	NUT	3	

Property of [www.SmallEngineDiscount.com](http://www.SmallEngineDiscount.com) - Not for Resale

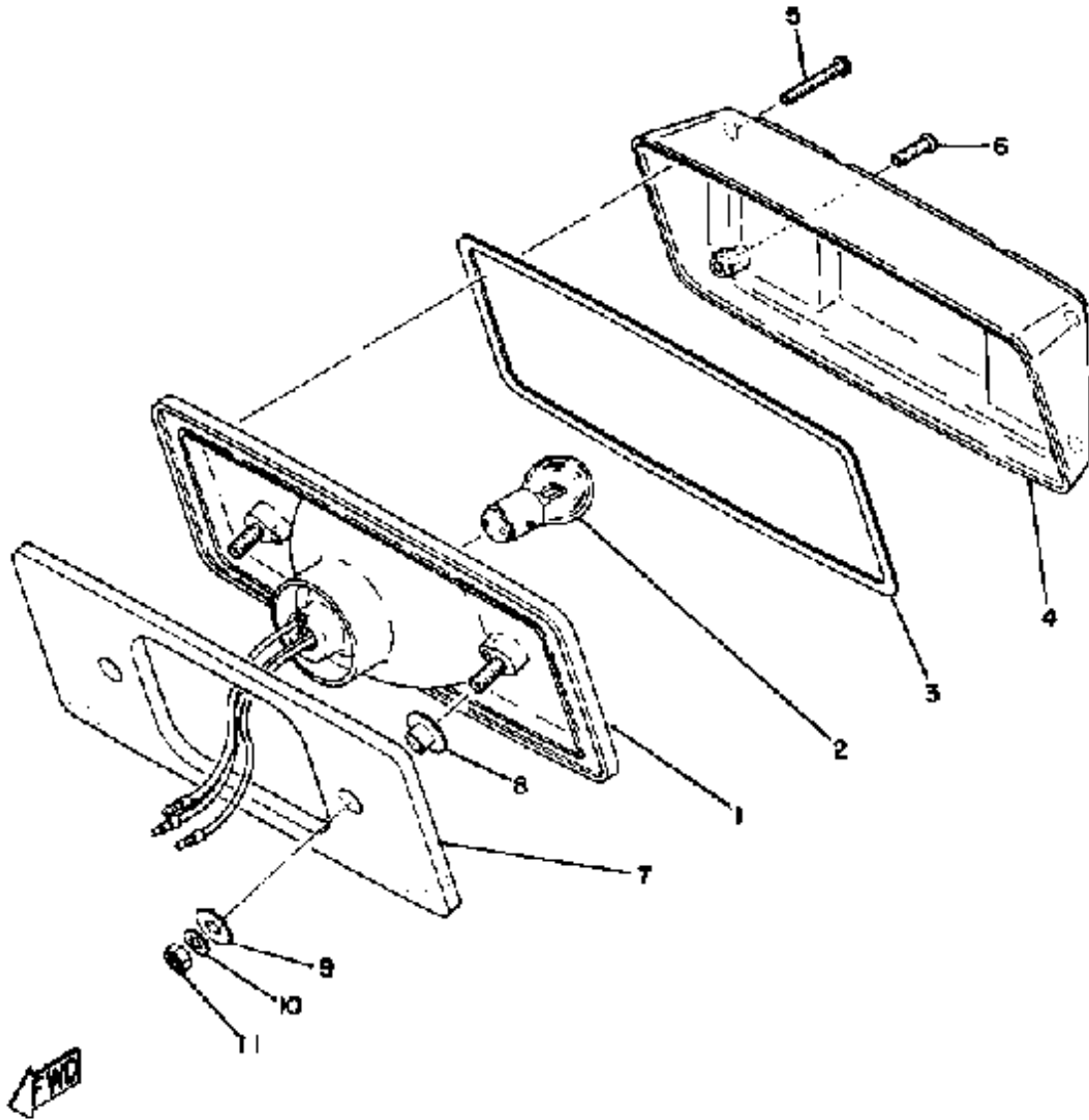
# TACHOMETER GPX338F - GPX433F



Ref. No.	Part Number	Description	Qty	Remarks
1	(878-83540-00-00)	TACHOMETER ASSEMBLY ...	1	
2	123-83516-21-00	. BULB (12V-3.4W) .....	1	
3	(861-83536-40-00)	SOCKET, METER .....	1	
4	95380-05600-00	. NUT .....	2	
5	92990-05100-00	. WASHER, SPRING .....	2	
6	861-83523-40-00	DAMPER .....	1	
7	861-83514-40-00	PLATE, FITTING .....	1	
8	839-83550-01-00	SPEEDOMETER CABLE .....	1	

Property of [www.SmallEngineDiscount.com](http://www.SmallEngineDiscount.com) - Not for Resale

# TAIL LAMP GPX338F - GPX433F

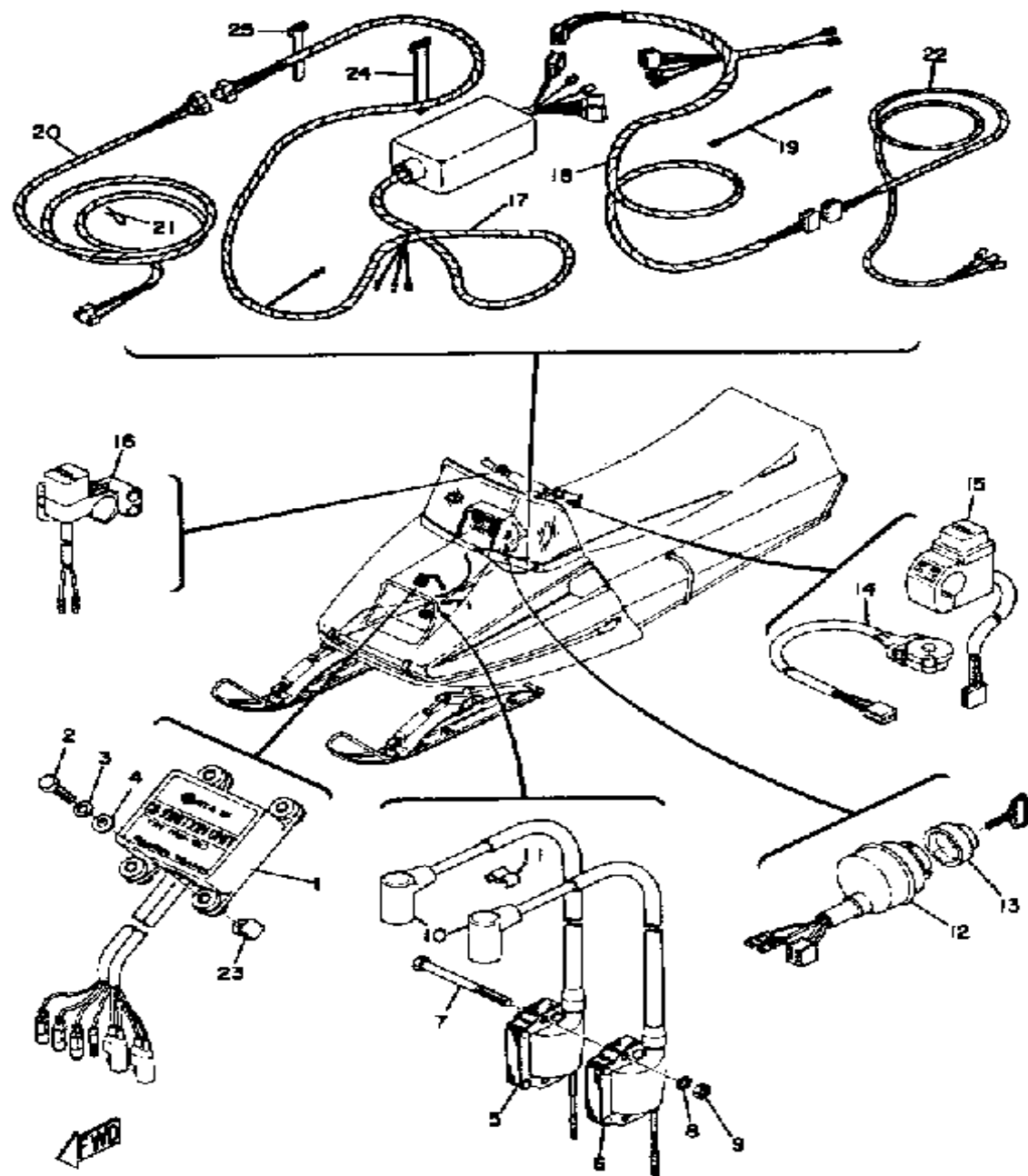


Ref. No.	Part Number	Description	Qty	Remarks
1	853-84710-00-00	. TAILLIGHT UNIT ASSEMBLY .	1	
2	137-84714-61-00	. BULB, TL 12V23/8W (J50-83311-00) . . . . .	1	
3	821-84712-00-00	. SEAT, BASE . . . . .	1	
4	821-84721-00-00	. LENS, TAILLIGHT . . . . .	1	
5	98511-04030-00	. SCREW, PAN HEAD . . . . .	2	
6	98503-04014-00	. SCREW, PAN HEAD . . . . .	2	
7	878-84753-00-00	DAMPER . . . . .	1	
8	90387-06024-00	COLLAR . . . . .	2	
9	90201-06057-00	WASHER, PLATE . . . . .	2	
10	92995-06100-00	WASHER, SPRING . . . . .	2	
11	95380-06600-00	NUT . . . . .	2	
-1	853-84710-00-00	TAILLIGHT UNIT ASSEMBLY . .	1	

Property of [www.SmallEngineDiscount.com](http://www.SmallEngineDiscount.com) - Not for Resale



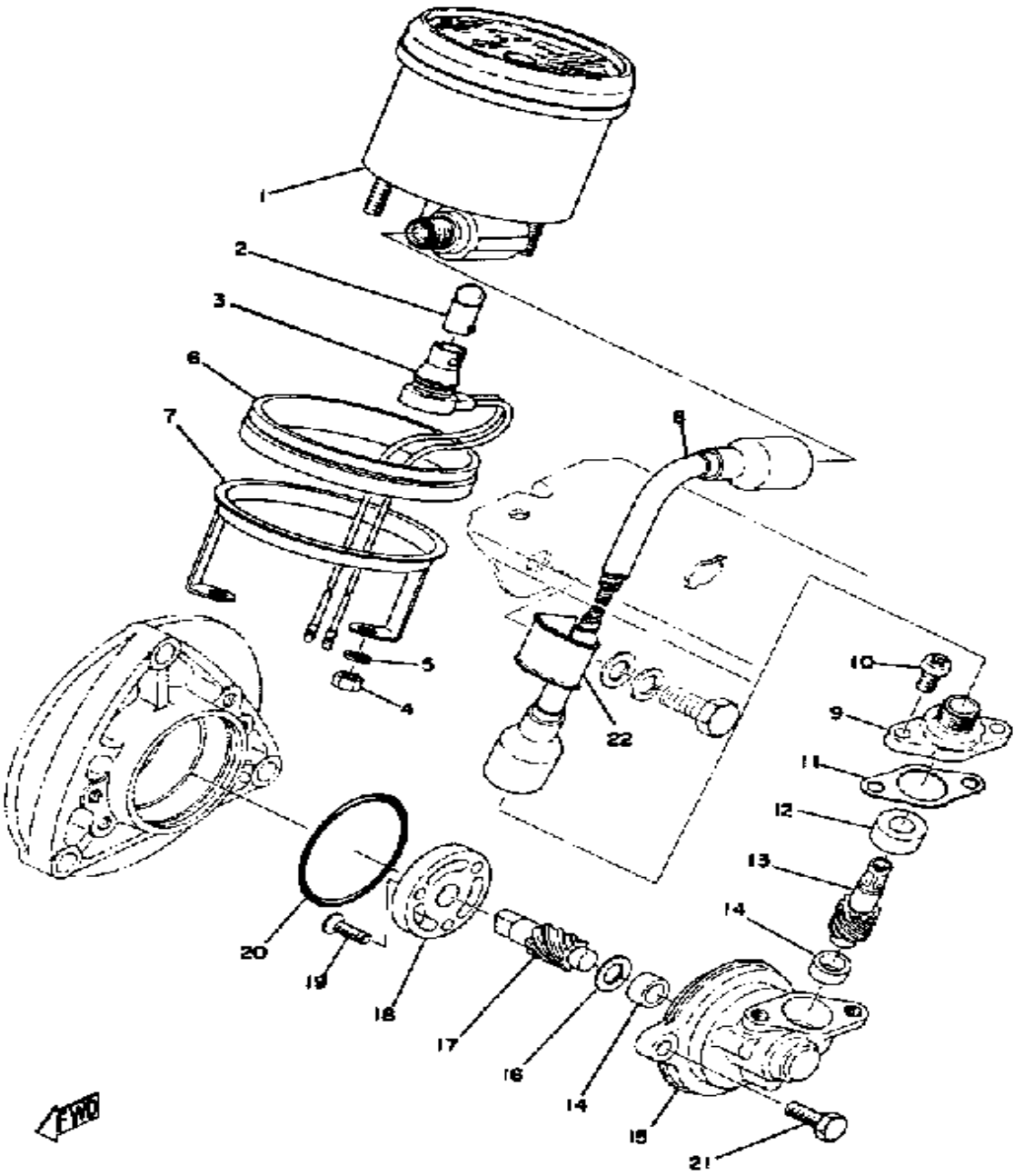
# ELECTRICAL GPX338F - GPX433F



Ref. No.	Part Number	Description	Qty	Remarks
1	888-85540-10-00	CDI UNIT ASSEMBLY	1	
2	98503-05025-00	SCREW, PAN HEAD (98501-05025)	4	
3	92990-05100-00	WASHER, SPRING	4	
4	92990-05200-00	WASHER, PLAIN	4	
5	(878-82310-30-00)	IGNITION COIL ASSEMBLY	1	FOR RIGHT CYLNDR
6	(857-82320-30-00)	IGNITION COIL ASSEMBLY	1	FOR LEFT CYLNDR
7	97313-06070-00	NUT (97301-06070)	2	
8	92995-06100-00	WASHER, SPRING	2	
9	95380-06600-00	NUT	2	
10	663-82370-01-00	PLUG CAP ASSEMBLY	2	
11	90464-60067-00	CLAMP	1	
12	898-82508-20-00	MAIN SWITCH ASSEMBLY	1	
13	806-82516-00-00	COLLAR, MAIN SWITCH	1	
14	878-82530-00-00	STOP SWITCH ASSEMBLY	1	
15	878-83950-00-00	BEAM SWITCH ASSEMBLY	1	
16	(878-83976-01-00)	SWITCH, HANDLE 1	1	
17	(878-82590-20-00)	WIRE HARNESS ASSEMBLY	1	
18	(878-82580-20-00)	WIRE HARNESS ASSEMBLY 2	1	
19	(838-82519-00-00)	WIRE, EARTH LEAD	1	
20	878-84359-00-00	CORD, HEADLIGHT	1	
21	(90465-06023-00)	CLAMP	2	
23	90465-06013-00	CLAMP	2	
24	437-83936-11-00	BAND, SWITCH CORD	1	
25	J45-83936-00-00	BAND, SWITCH CORD	1	

Property of [www.SmallEngineDiscount.com](http://www.SmallEngineDiscount.com) - Not for Resale

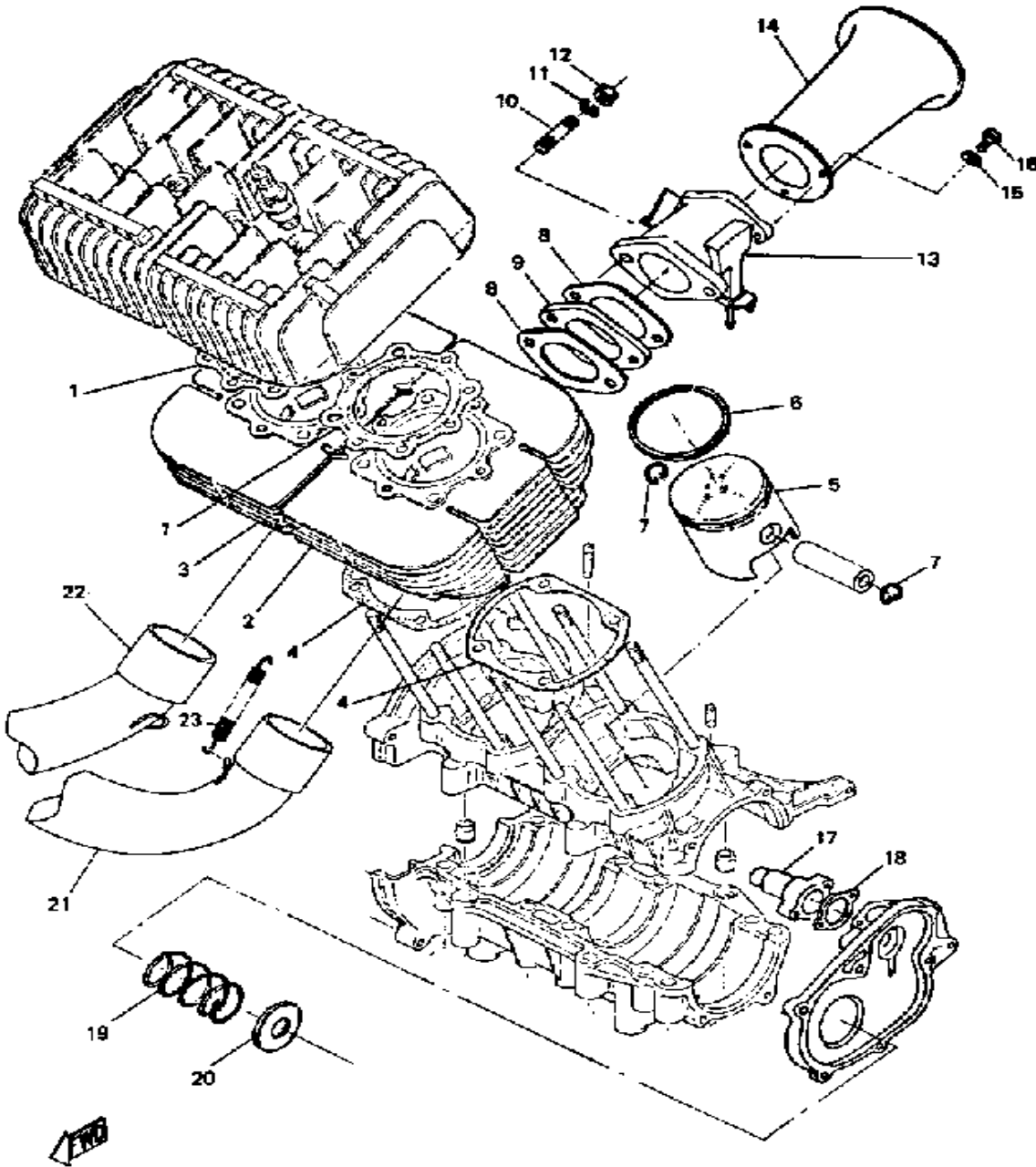
# SPEEDOMETER UNIT GPX338F - GPX433F



Ref. No.	Part Number	Description	Qty	Remarks
1	(878-83510-40-00)	SPEEDOMETER ASSEMBLY ..	1	MPH
2	123-83516-21-00	. BULB (12V-3.4W) .....	1	
3	(861-83536-40-00)	SOCKET, METER .....	1	
4	95380-05600-00	. NUT .....	2	
5	92990-05100-00	. WASHER, SPRING .....	2	
6	861-83523-40-00	DAMPER .....	1	
7	861-83514-40-00	PLATE, FITTING .....	1	
8	819-83560-01-00	TACHOMETER CABLE .....	1	
9	(810-47721-10-00)	COVER, HOUSING .....	1	
	8E3-47721-10-00	COVER, HOUSING .....	1	
10	98580-05012-00	SCREW, PAN HEAD .....	2	
11	810-47727-10-00	GASKET .....	1	
12	90380-08005-00	BUSH, SOLID .....	1	
13	(878-47741-00-00)	GEAR, DRIVEN .....	1	
	8A5-47741-00-00	GEAR, DRIVEN .....	1	
14	(90380-08002-00)	BUSH, SOLID .....	2	
15	8E6-47711-10-00	HOUSING .....	1	
16	810-47717-10-00	SHIM .....	1	
17	8A5-47731-00-00	GEAR, DRIVE .....	1	
18	853-47712-10-00	JOURNAL .....	1	
19	98701-04012-00	SCREW, FLAT HEAD .....	3	
20	93210-43141-00	O-RING .....	1	
21	97313-06016-00	BOLT, HEXAGON .....	2	
22	90465-06100-00	CLAMP .....	1	

Property of [www.SmallEngineDiscount.com](http://www.SmallEngineDiscount.com) - Not for Resale

# GPX SR KIT PARTS LIST1

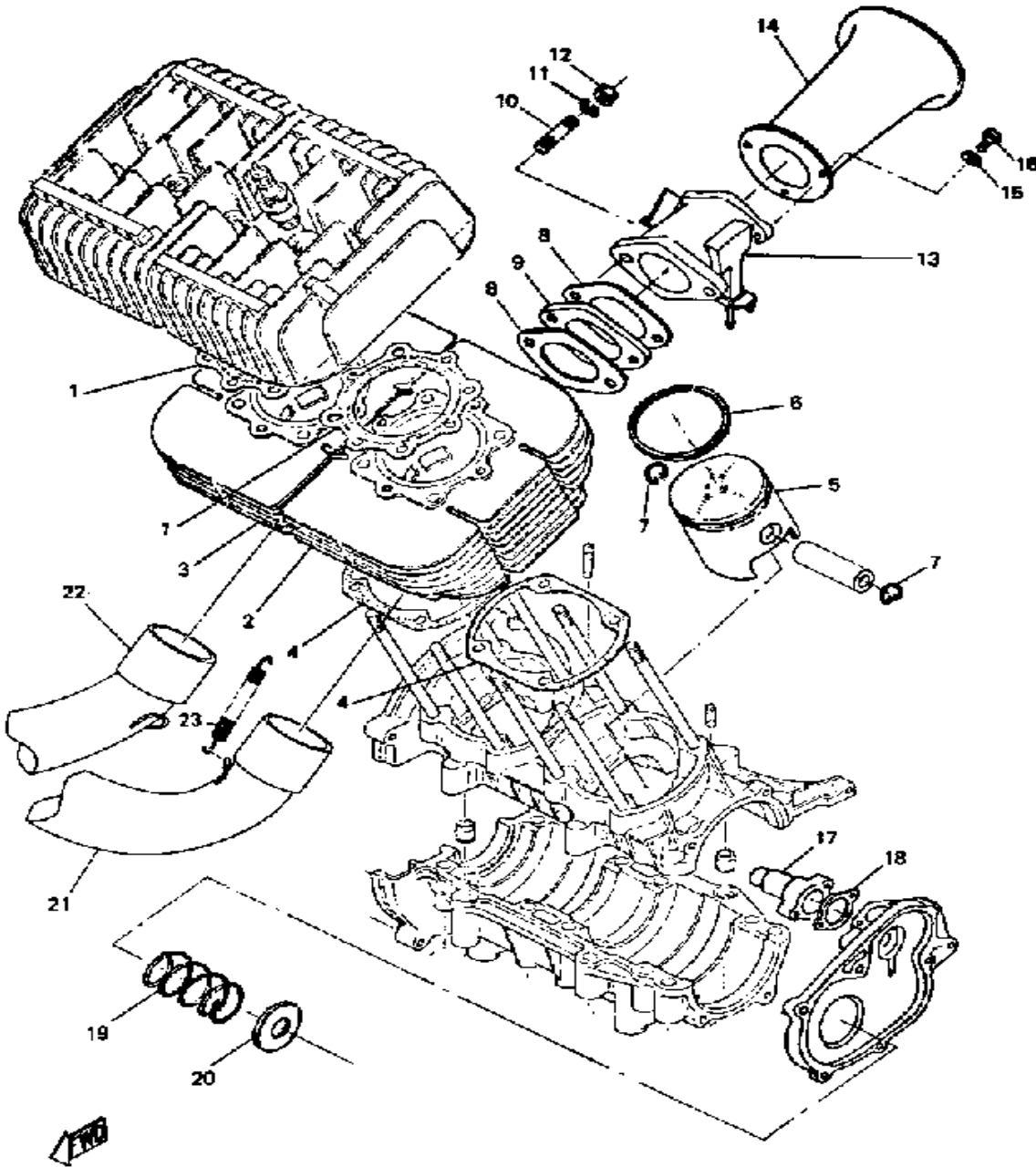


Ref. No.	Part Number	Description	Qty	Remarks
1	(878-11181-70-00)	GASKET, CYLINDER HEAD 1	2	
	(879-11181-70-00)	GASKET, CYLINDER HEAD 1	2	
2	(878-11311-70-00)	CYLINDER 1	1	
	(879-11311-70-00)	CYLINDER 1	1	
3	(878-11321-70-00)	CYLINDER 2	1	
	(879-11321-70-00)	CYLINDER 2	1	
4	846-11351-01-00	GASKET, CYLINDER	2	
	857-11351-00-00	GASKET, CYLINDER	2	
5	(878-11631-70-96)	PISTON STD	2	
	(879-11631-70-96)	PISTON STD	2	
6	829-11611-00-00	RING, PISTON STD	2	
	878-11611-71-00	RING, PISTON	2	
7	93450-20026-00	CIRCLIP	4	
8	812-13556-70-00	GASKET, MANIFOLD	4	
9	824-13585-00-00	JOINT, CARBURETOR	2	
10	90116-08042-00	BOLT, STUD	4	
11	92990-08100-00	WASHER	4	
12	(879-13710-70-00)	MIXING ASSEMBLY	2	
	95303-08700-00	NUT	4	
14	828-14479-70-00	FUNNEL	2	
15	92990-06200-00	WASHER	6	
16	98580-06012-00	SCREW, PAN HEAD	6	
17	878-13326-70-00	GEAR, PUMP DRIVEN 2	1	
18	3MT-13116-00-00	GASKET, PUMP CASE (8Y0-13116-00)	1	
19	(90501-55230-00)	SPRING, COMPRESSION	1	
	(90501-55242-00)	SPRING, COMPRESSION	1	
20	(879-17623-70-00)	CAM	1	
	878-17623-70-00	CAM	1	

CONTINUED ON NEXT FRAME ►

Property of [www.SmallEngineDiscount.com](http://www.SmallEngineDiscount.com) - Not for Resale

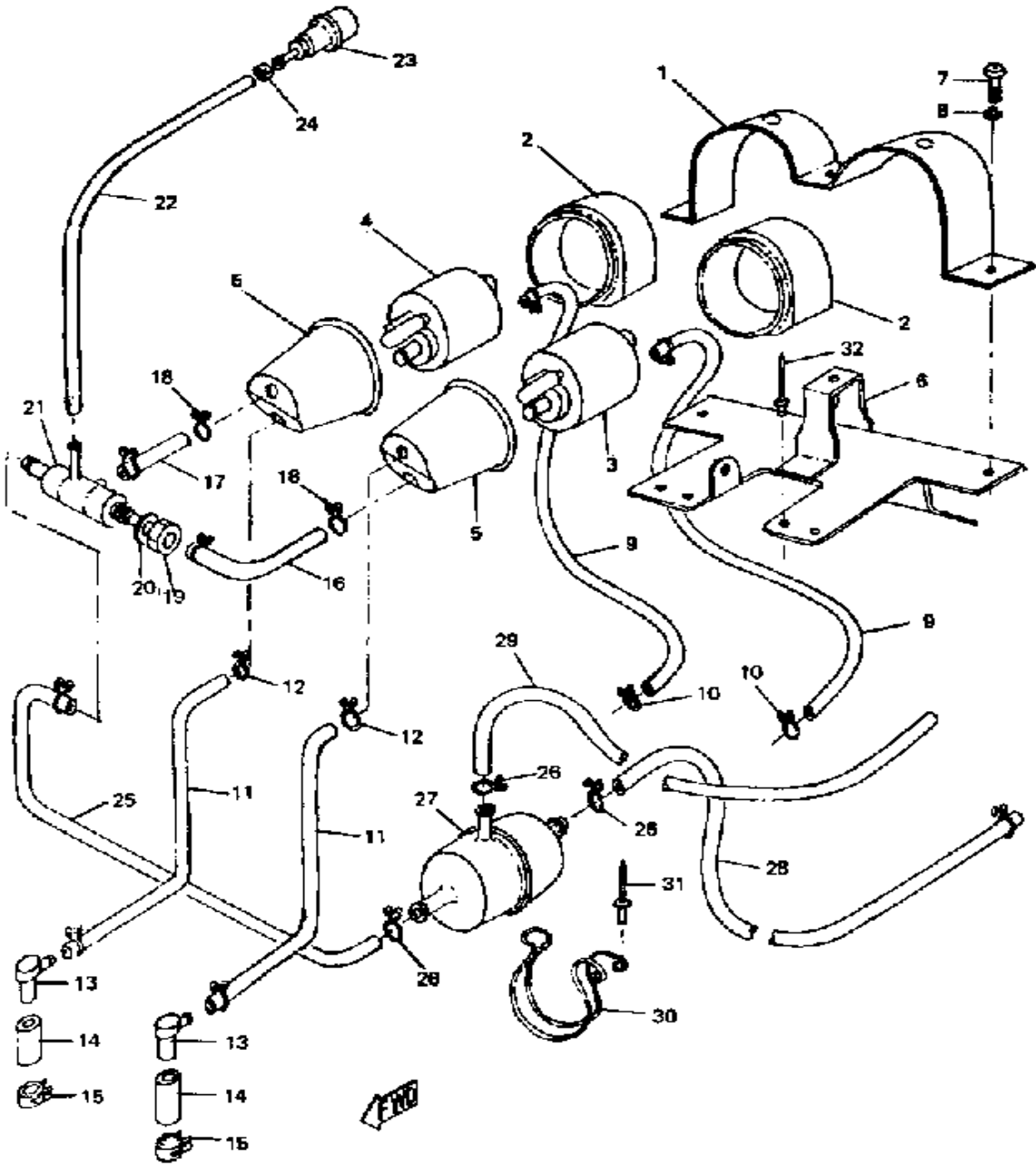
# GPX SR KIT PARTS LIST1



Ref. No.	Part Number	Description	Qty	Remarks
23	90506-16198-00	SPRING, TENSION .....	2	

Property of [www.SmallEngineDiscount.com](http://www.SmallEngineDiscount.com) - Not for Resale

# GPX SR KIT PARTS LIST2



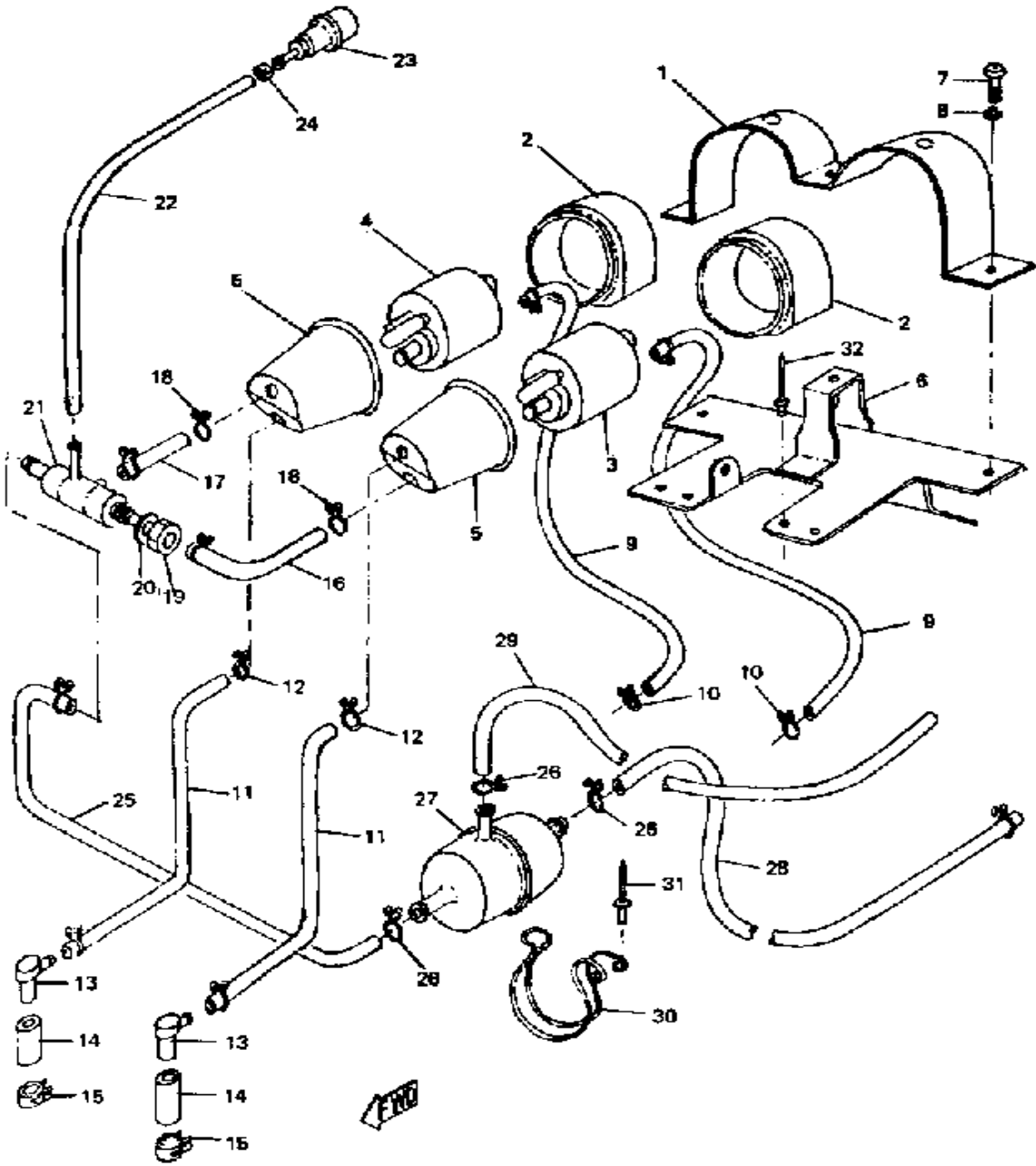
Ref. No.	Part Number	Description	Qty	Remarks
1	(879-13782-70-00)	STAY .....	1	
2	(879-13781-70-00)	DAMPER, PUMP .....	2	
3	(878-13910-70-00)	FUEL PUMP ASSEMBLY .....	1	
	(879-13910-70-00)	FUEL PUMP ASSEMBLY .....	2	
4	(878-13910-70-00)	FUEL PUMP ASSEMBLY .....	1	
5	(879-13784-70-00)	COVER, PUMP .....	2	
6	(879-24365-70-00)	STAY, PUMP .....	1	
7	98580-04010-00	SCREW, PAN HEAD .....	3	
8	(90446-08086-00)	HOSE .....	2	
	92901-04100-00	WASHER, SPRING .....	3	
10	(823-13958-00-00)	CLIP, PIPE .....	4	
12	(823-13958-00-00)	CLIP, PIPE .....	4	
13	879-24461-70-00	PIPE, JOINT .....	2	
14	90445-14236-00	HOSE (879-24336-70) .....	2	
15	(879-24398-70-00)	BAND 1 .....	4	
16	90446-09011-00	HOSE .....	1	
17	879-24314-70-00	PIPE 4 .....	1	
18	810-24356-00-00	CLIP, PIPE 1 .....	4	
19	90170-10038-00	NUT, HEXAGON .....	1	
20	90206-11015-00	WASHER, WAVE (810-13129-00) .....	1	
21	879-24362-70-00	VALVE, CHECK 1 .....	1	
22	(90445-05242-00)	HOSE .....	1	
23	815-24360-01-00	PRIMER PUMP ASSEMBLY ...	1	
24	90468-02033-00	CLIP .....	2	
25	807-24312-00-00	PIPE 2 .....	1	
26	90467-11009-00	CLIP .....	5	
27	(878-24560-70-00)	FILTER ASSEMBLY .....	1	
29	(90446-11087-00)	HOSE .....	1	
30	(807-24558-00-00)	HOLDER, FILTER .....	1	

CONTINUED ON NEXT FRAME ➤

Property of [www.SmallEngineDiscount.com](http://www.SmallEngineDiscount.com) - Not for Resale



# GPX SR KIT PARTS LIST2

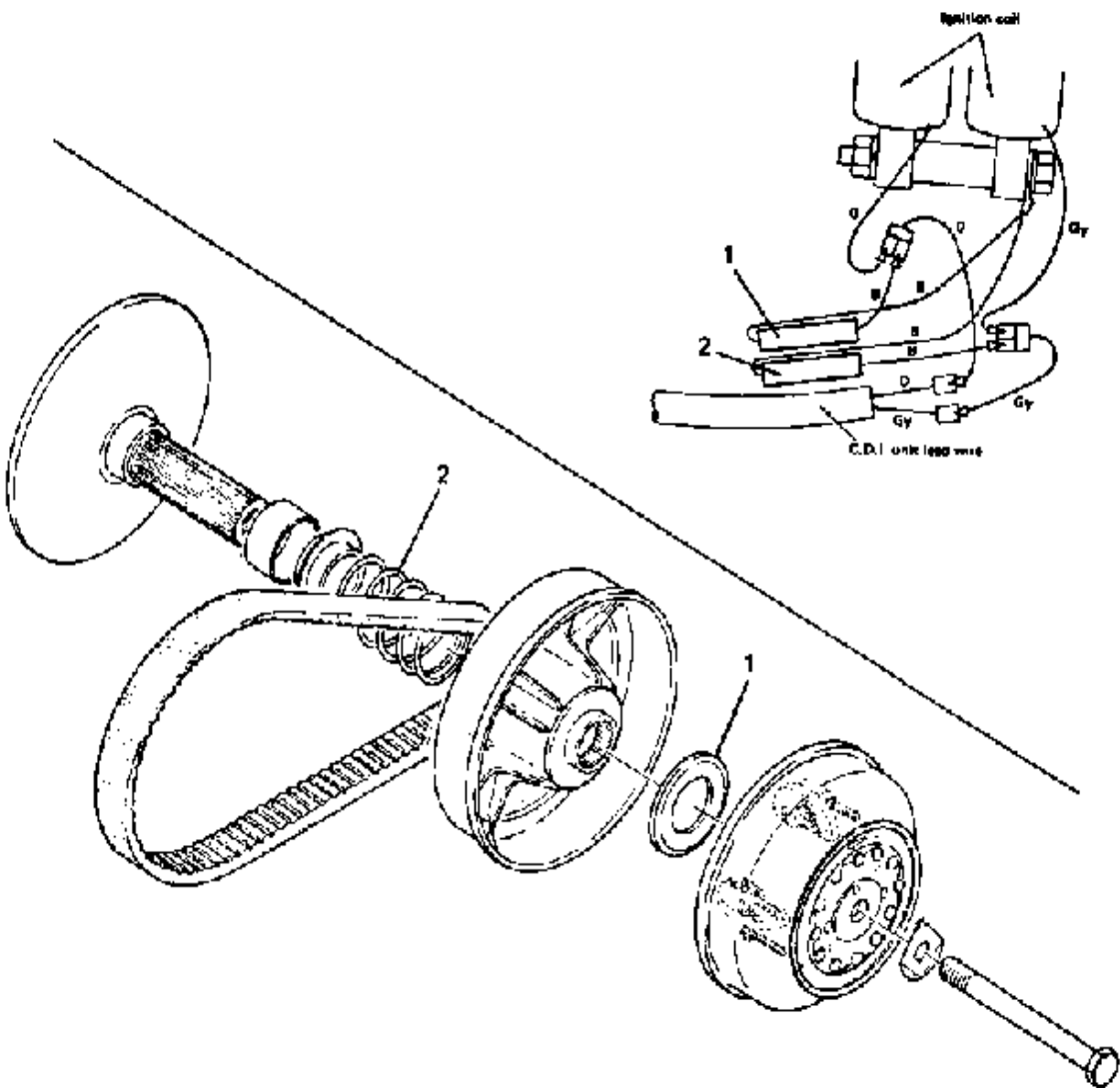


Ref. No.	Part Number	Description	Qty	Remarks
31	90267-48086-00	RIVET, BLIND .....	2	
32	90267-40M00-00	RIVET, BLIND .....	8	

Property of [www.SmallEngineDiscount.com](http://www.SmallEngineDiscount.com) - Not for Resale

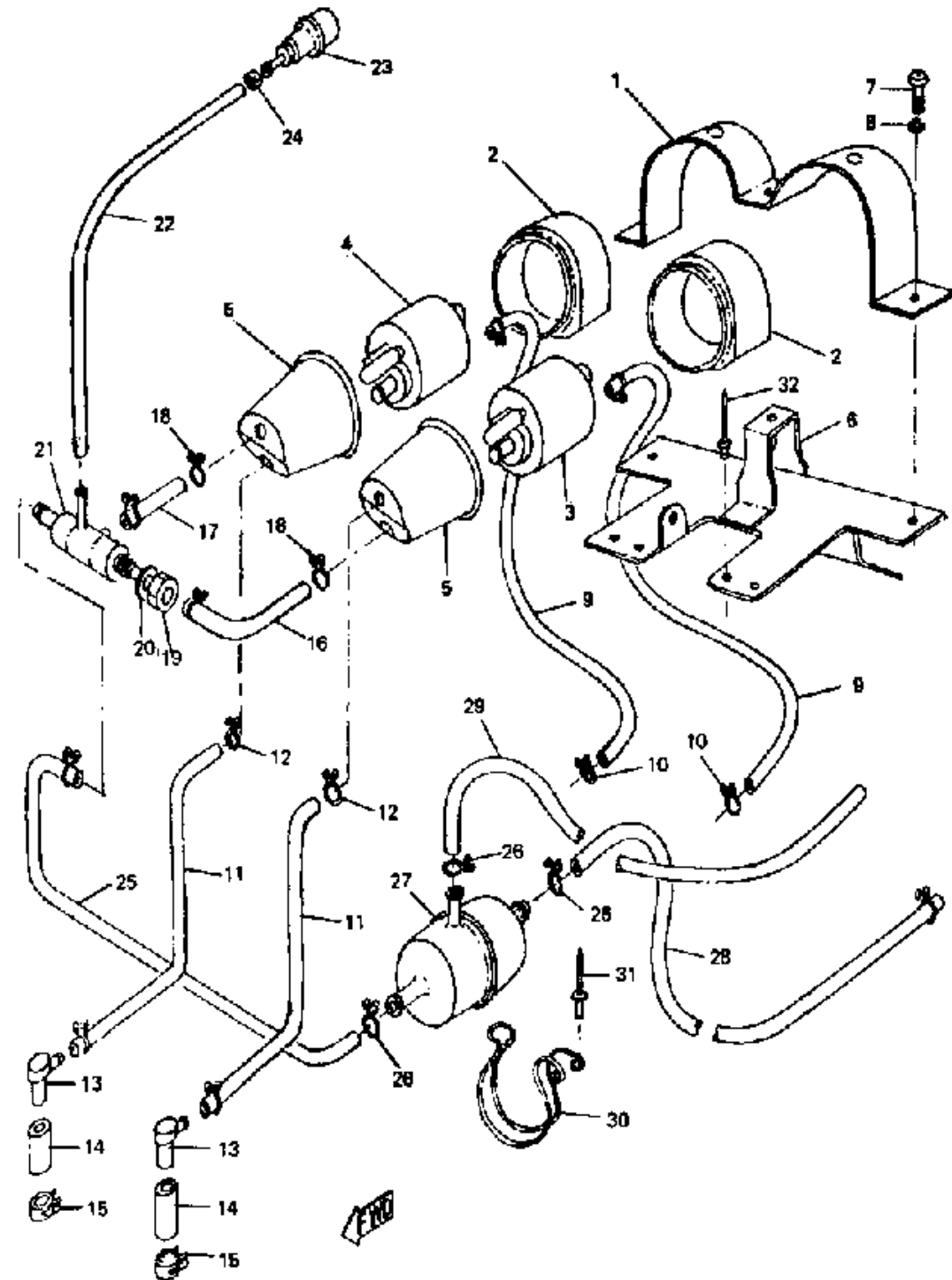
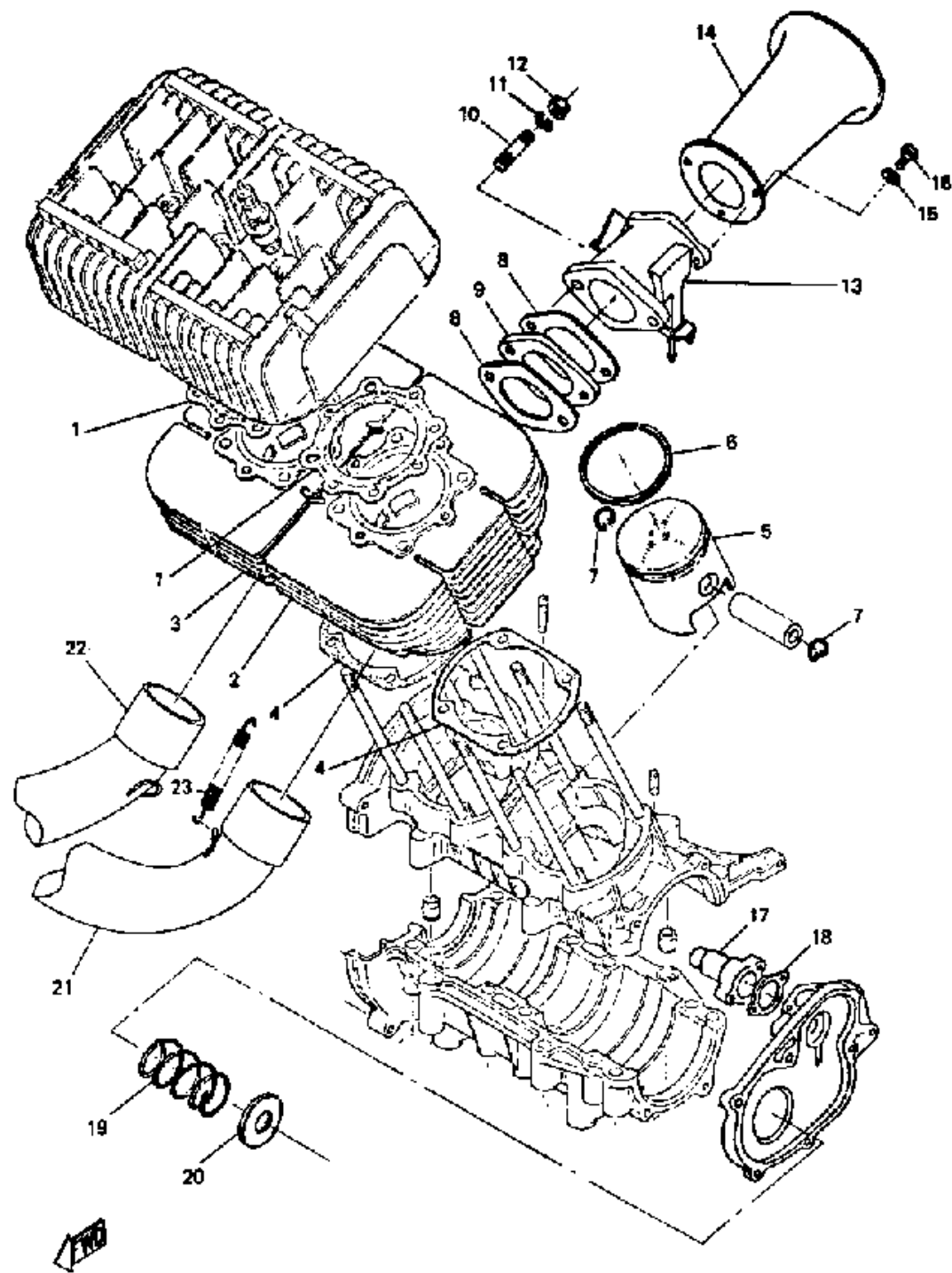


# GPX SR KIT PARTS LIST3



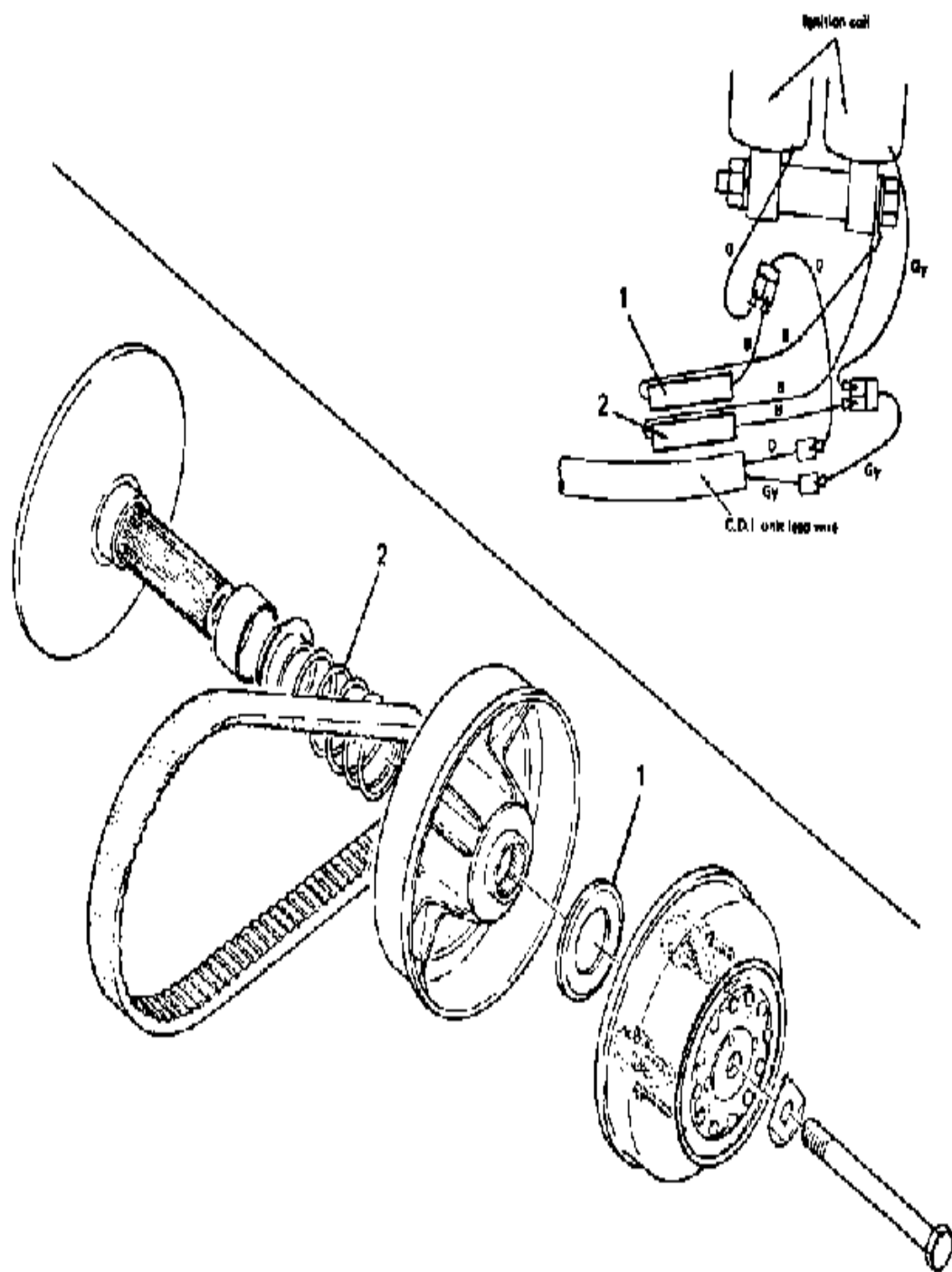
Ref. No.	Part Number	Description	Qty	Remarks
1	(879-17623-70-00)	CAM .....	1	
	878-17623-70-00	CAM .....	1	
	878-85511-10-00	COIL SOURCE 1 .....	1	
2	(90501-55230-00)	SPRING, COMPRESSION .....	1	
	(90501-55242-00)	SPRING, COMPRESSION .....	1	
	878-85512-10-00	COIL SOURCE 2 .....	1	

Property of [www.SmallEngineDiscount.com](http://www.SmallEngineDiscount.com) - Not for Resale



Property of [www.SmallEngineDiscount.com](http://www.SmallEngineDiscount.com) - Not for Resale

K1



Property of [www.SmallEngineDiscount.com](http://www.SmallEngineDiscount.com) - Not for Resale

K2