



**YAMAHA**

**GENUINE**

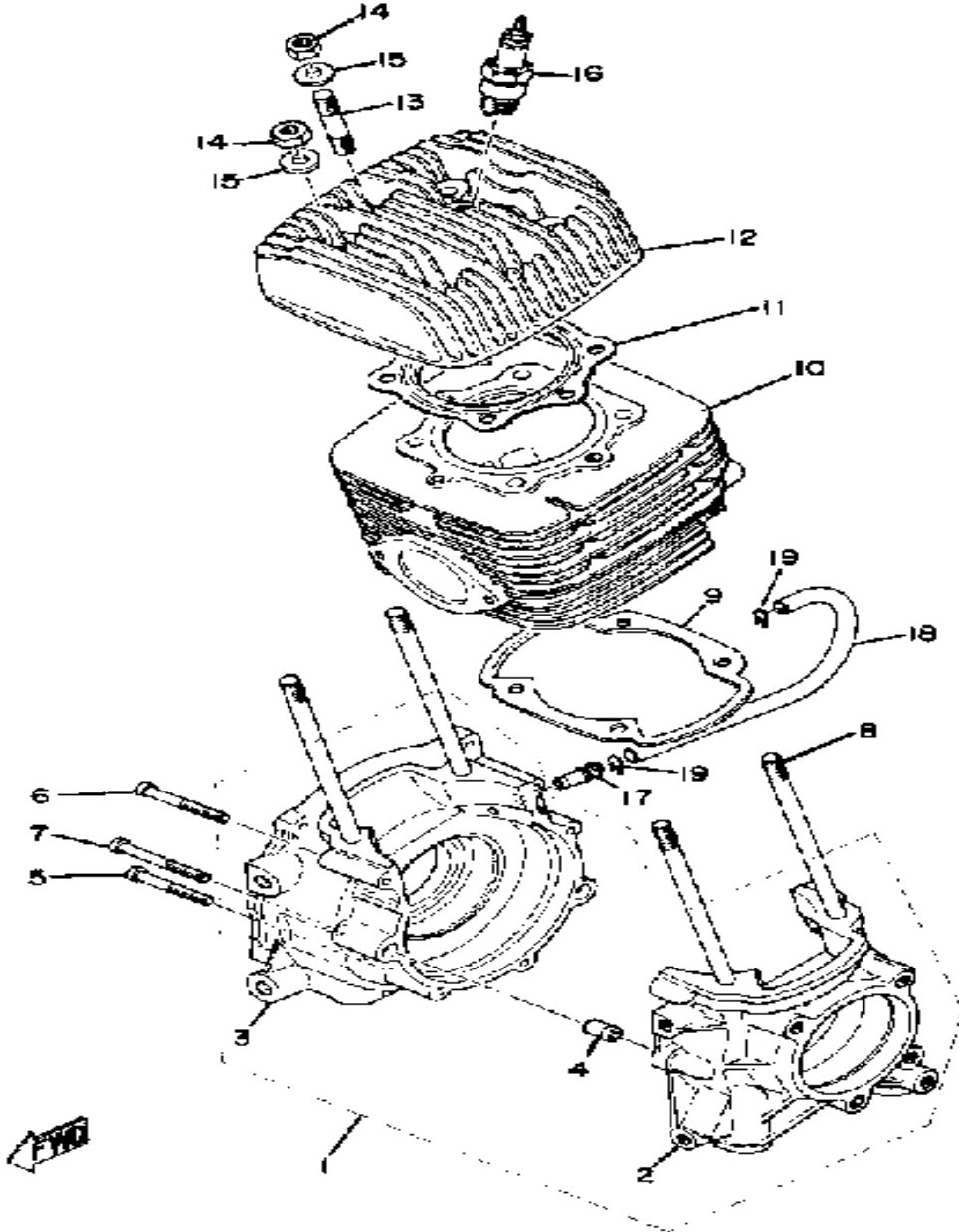
**PARTS CATALOGUE**

**SNOWMOBILE**

Property of [www.SmallEngineDiscount.com](http://www.SmallEngineDiscount.com) - Not for Resale

**A1**

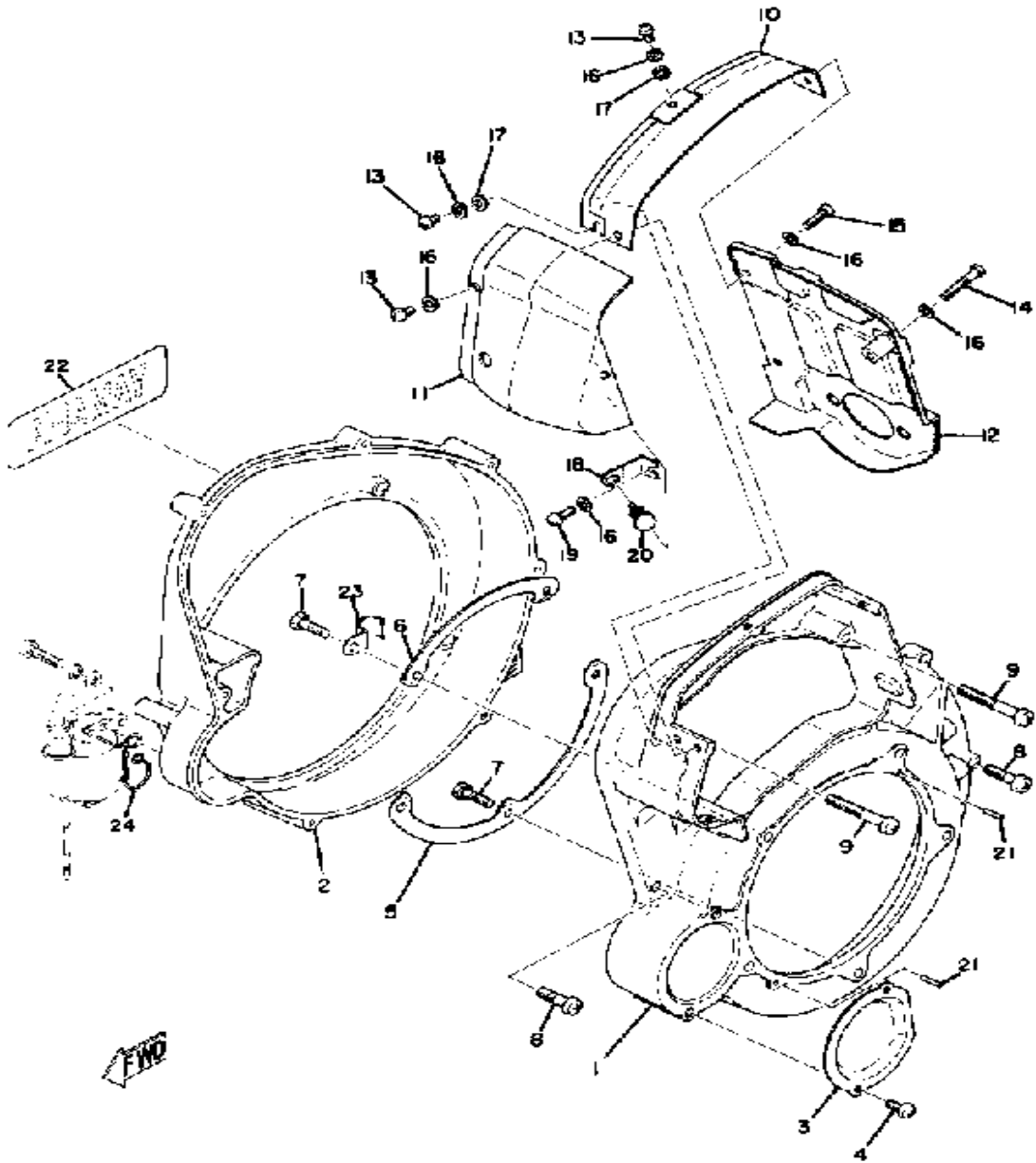
# CRANKCASE-CYLINDER



Ref. No.	Part Number	Description	Qty	Remarks
	839-15100-00-00	CRANKCASE ASSEMBLY	1	
2	UNA-VAILA-BL-EI	0 0		
3	UNA-VAILA-BL-EI	0 0		
4	99530-10014-00	PIN, DOWEL	2	
5	98580-06545-00	SCREW PAN HEAD (92503-06045)	3	
6	98580-06550-00	SCREW PAN HEAD (92503-06050)	2	
7	98580-06055-00	SCREW, pan head (92501-06065-00)	2	
8	(90116-08083-00)	BOLT, STUD	4	
9	812-11351-00-00	GASKET, CYLINDER	1	
10	822-11311-00-00	CYLINDER 1	1	
11	812-11181-00-00	GASKET, CYLINDER HEAD 1	1	
12	(853-11111-00-00)	HEAD, CYLINDER 1	1	
13	90116-08057-00	BOLT, STUD	2	
14	95701-08500-00	NUT, FLANGE	6	
15	90201-08100-00	WASHER, PLATE	6	
16	NGK-BR6ES-00-00	NGK BR6ES 10PK	1	
17	J38-11116-00-00	JOINT, BREATHER	1	
18	(90445-10138-00)	HOSE	1	
19	90467-09006-00	CLIP	2	

Property of [www.SmallEngineDiscount.com](http://www.SmallEngineDiscount.com) - Not for Resale

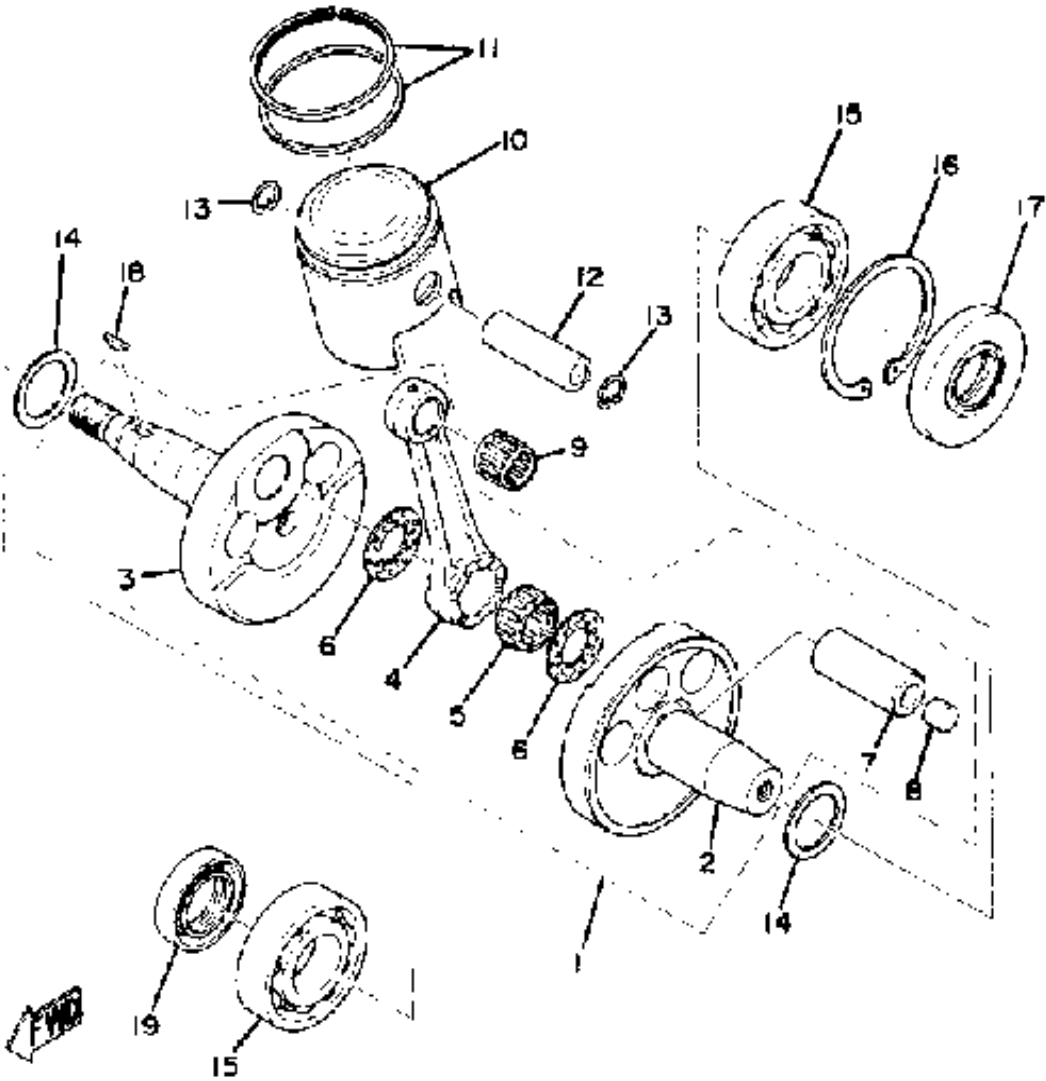
# FAN CASE-AIR SHROUD



Ref. No.	Part Number	Description	Qty	Remarks
1	839-12621-00-00	CASE, FAN .....	1	
2	867-12622-00-00	CASE, FAN 2 .....	1	
3	(812-12633-00-00)	PLATE .....	1	
4	98580-05010-00	SCREW, PAN HEAD .....	2	
5	(812-12624-00-00)	WASHER, LOCK 1 .....	1	
6	(812-12625-00-00)	WASHER, LOCK 2 .....	1	
7	(90105-06001-00)	BOLT, WASHER BASED .....	5	
8	98506-06025-00	SCREW, PAN HEAD .....	5	
9	98506-06050-00	SCREW, PAN HEAD .....	2	
10	(839-12651-00-00)	AIR SHROUD, CYLINDER 1 ...	1	
11	(822-12652-00-00)	AIR SHROUD, CYLINDER 2 ...	1	
12	(839-12653-00-00)	AIR SHROUD, CYLINDER 3 ...	1	
13	98906-05012-00	SCREW, BIND .....	4	
14	(98906-05030-00)	SCREW, BIND .....	1	
15	98906-05012-00	SCREW, BIND .....	2	
16	92906-05100-00	WASHER, SPRING .....	8	
17	92906-05600-00	WASHER, PLATE .....	5	
18	(822-12655-00-00)	STAY, CLAMP 1 .....	1	
19	98906-05012-00	SCREW, BIND .....	1	
20	(812-12658-00-00)	DAMPER, AIR SHRD 1 .....	1	
21	93604-14012-00	PIN, DOWEL .....	2	
22	(838-12629-00-00)	EMBLEM .....	1	
23	(822-82361-00-00)	CLAMP, CORD .....	1	
24	(822-24369-01-00)	CLAMP, OIL PIPE .....	1	

Property of [www.SmallEngineDiscount.com](http://www.SmallEngineDiscount.com) - Not for Resale

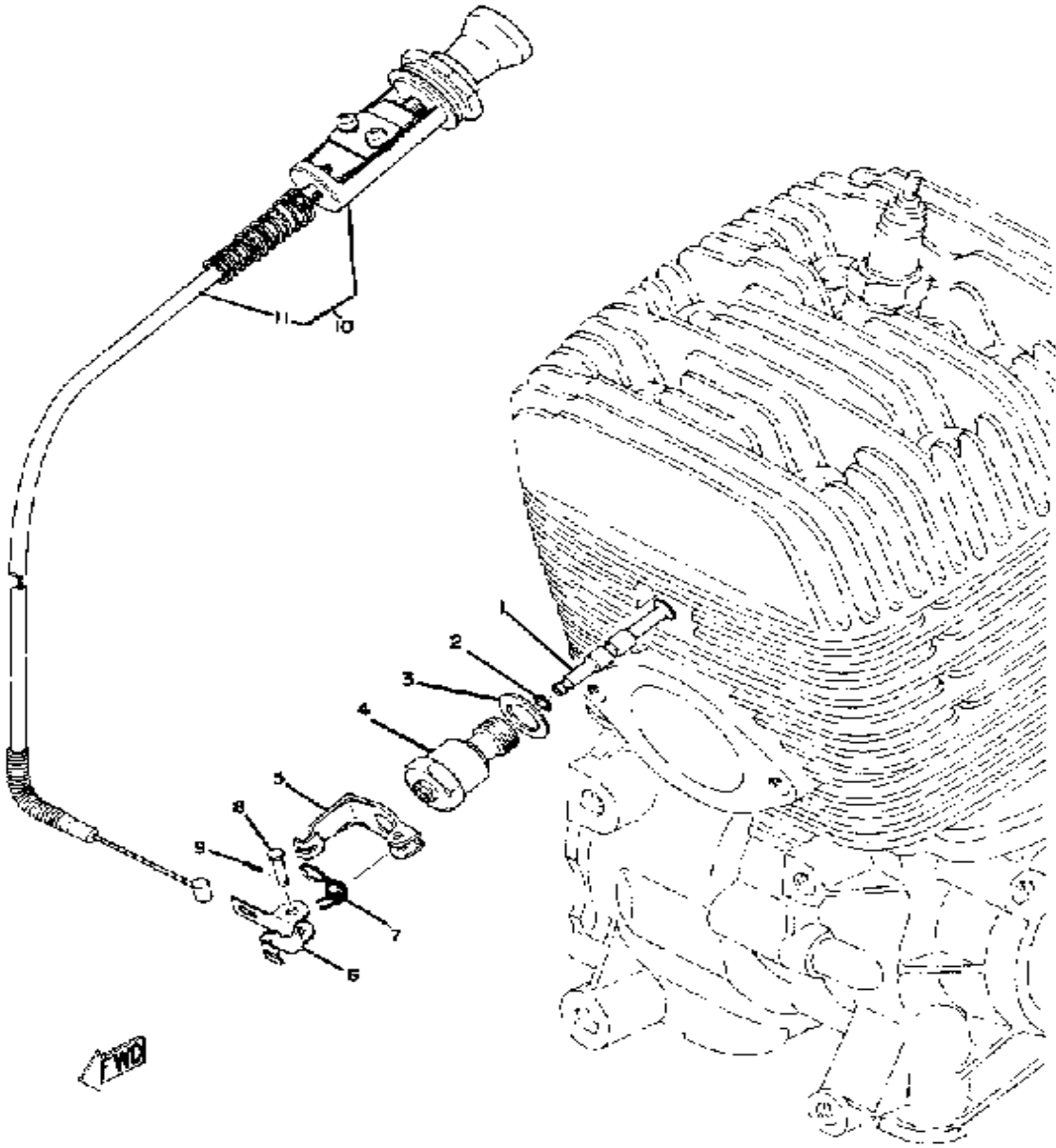
# CRANK-PISTON



Ref. No.	Part Number	Description	Qty	Remarks
1	(853-11400-00-00)	CRANKSHAFT ASSEMBLY	1	
2	(853-11412-01-00)	CRANK 1	1	
3	(853-11422-00-00)	CRANK 2	1	
4	839-11651-00-00	. ROD, CONNECTING	1	
5	93310-42497-00	. BEARING, CYLINDER.# 0	1	
6	90209-24073-00	. WASHER	2	
7	(822-11681-00-00)	PIN, CRANK 1	1	
8	(822-11682-00-00)	BUSH, CRANK PIN	2	
9	93310-218A6-00	BEARING	1	
10	(839-11637-00-00)	PISTON 3 O/S 0.5	1	ALTERNATE PART
	(839-11638-00-00)	PISTON 4 O/S 1.0	1	ALTERNATE PART
	839-11631-00-96	PISTON STD	1	
	839-11635-00-00	PISTON 1 O/S 0.5	1	ALTERNATE PART
	839-11636-00-00	PISTON 2 O/S 0.0	1	ALTERNATE PART
11	(839-11610-30-00)	PISTON RINGSET 3RD	1	ALTERNATE PART
	839-11610-00-00	PISTON RINGSET STD	1	
	839-11610-10-00	PISTON RINGSET 1ST	1	ALTERNATE PART
	839-11610-20-00	PISTON RINGSET 2ND	1	ALTERNATE PART
	839-11610-40-00	PISTON RINGSET 4TH	1	ALTERNATE PART
12	214-11633-00-00	PIN, PISTON	1	
13	93450-20026-00	CIRCLIP	2	
14	(812-11561-00-03)	SHIM, CRANK 1	1	
15	93306-30630-00	BEARING	2	
16	(93420-72023-00)	CIRCLIP, R-TYPE	1	
17	(93102-30111-00)	OIL SEAL, SD-TYPE	1	
18	90280-16053-00	KEY, WOODRUFF	1	
19	93102-30112-00	OIL SEAL, SD-TYPE	1	

Property of [www.SmallEngineDiscount.com](http://www.SmallEngineDiscount.com) - Not for Resale

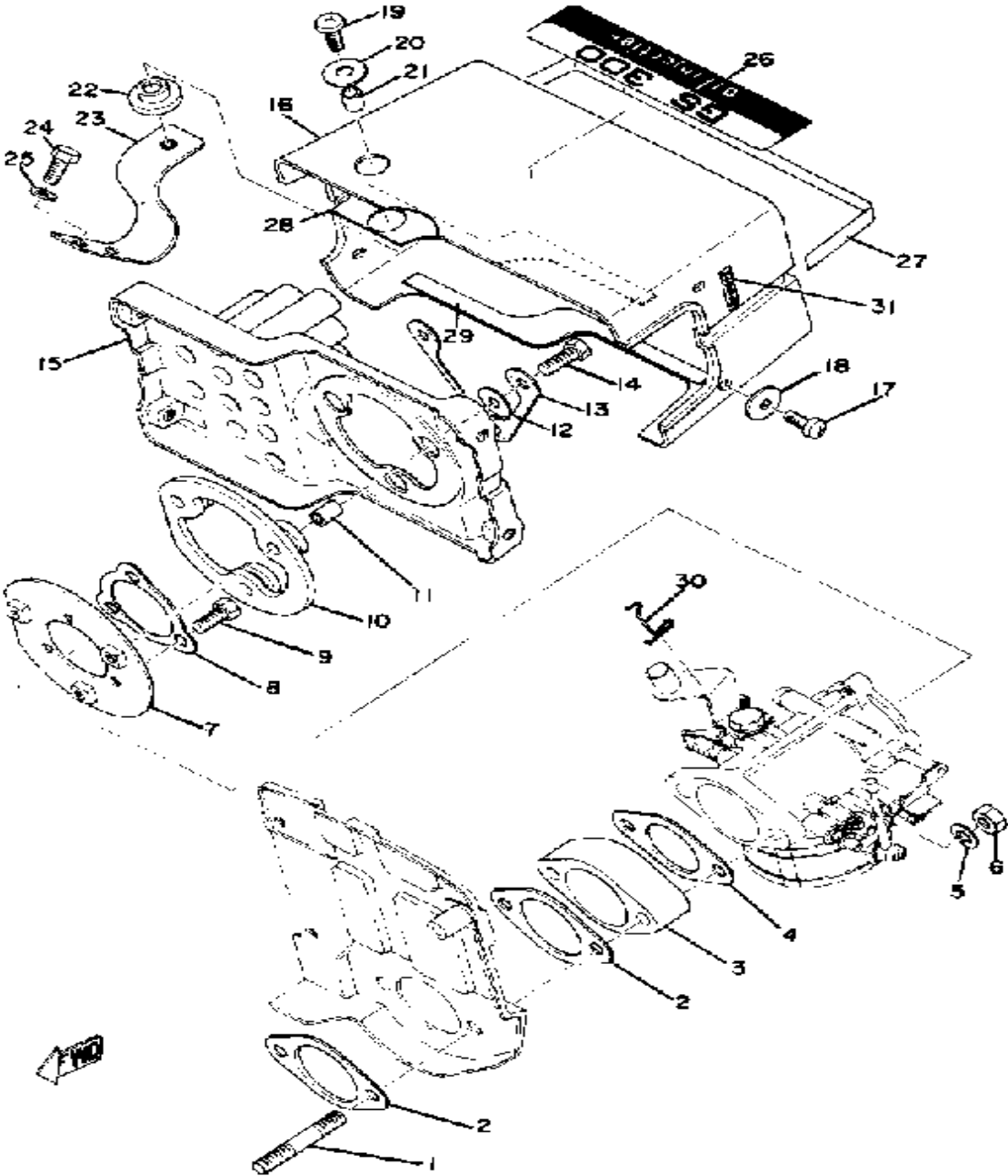
# DECOMPRESSION VALVE



Ref. No.	Part Number	Description	Qty	Remarks
1	822-12281-00-00	VALVE, DCOMP .....	1	
2	93210-04092-00	O-RING .....	1	
3	812-11198-00-00	GASKET .....	1	
4	822-12283-00-00	BRACKET, DCOMP .....	1	
5	812-12273-00-00	HOLDER, CABLE .....	1	
6	275-12282-01-00	LEVER, DCOMP .....	1	
7	90508-10183-00	SPRING, TORSION .....	1	
8	90240-03002-00	PIN, CLEVIS .....	1	
9	91490-16020-00	PIN, COTTER .....	1	
10	839-12270-00-00	DCOMP SWITCH ASSEMBLY .	1	
11	(839-12292-00-00)	CABLE, DCOMP .....	1	

Property of [www.SmallEngineDiscount.com](http://www.SmallEngineDiscount.com) - Not for Resale

# INTAKE



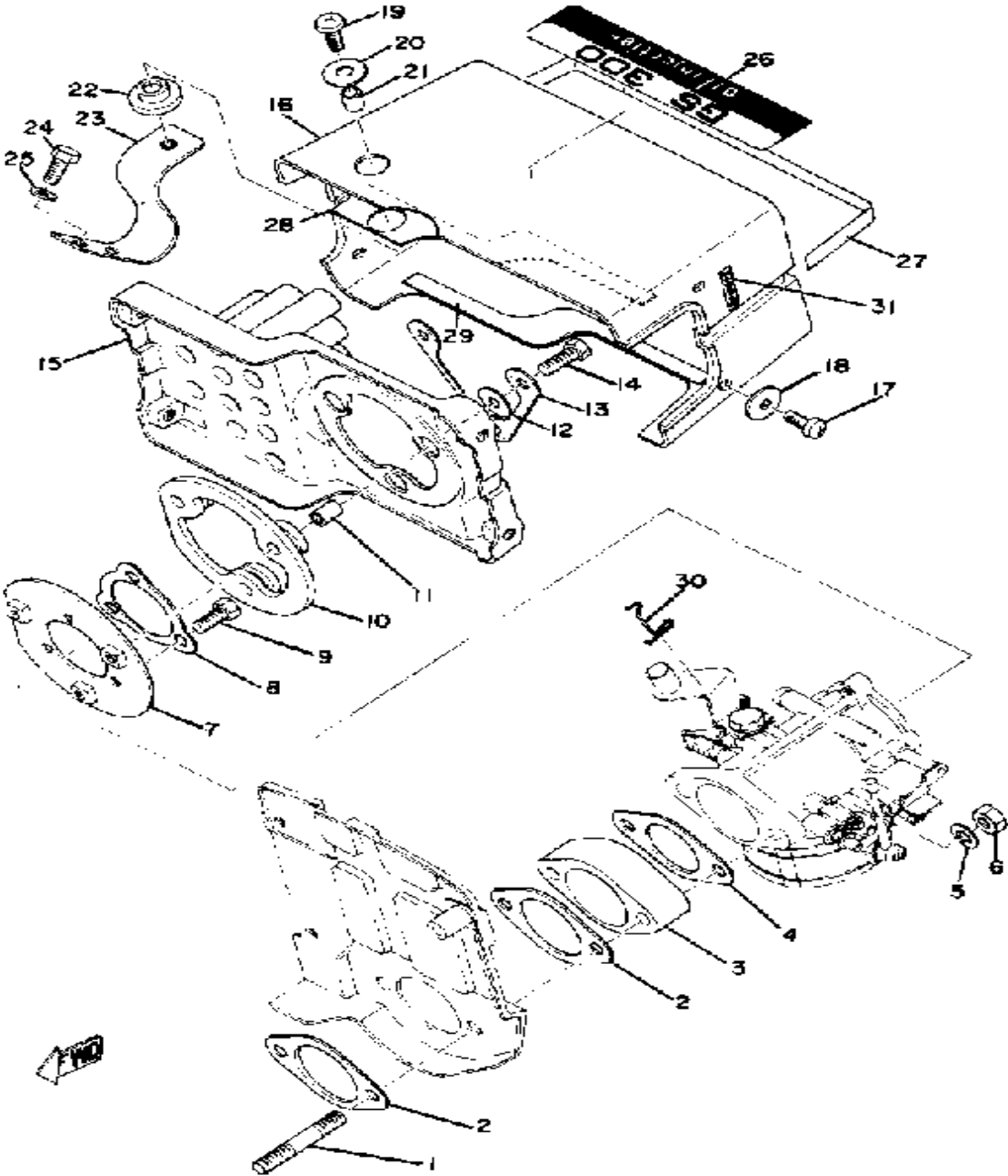
Ref. No.	Part Number	Description	Qty	Remarks
1	90116-08057-00	BOLT, STUD .....	2	
2	839-13556-00-00	GASKET, MANIFOLD .....	2	
3	853-13555-00-00	MANIFOLD, INTAKE .....	1	
4	807-13556-00-00	GASKET, MANIFOLD .....	1	
5	92990-08100-00	WASHER .....	2	
6	95303-08700-00	NUT .....	2	
7	(867-14477-00-00)	PLATE .....	1	
8	(853-14475-00-00)	WASHER .....	1	
9	97313-06016-00	BOLT, HEXAGON .....	3	
10	(864-14435-00-00)	GROMMET .....	1	
11	(90387-06244-00)	COLLAR .....	3	
12	90201-063J2-00	WASHER, PLATE .....	3	
13	(864-14599-00-00)	WASHER, LOCK .....	1	
14	97001-06018-00	BOLT .....	3	
15	(867-14431-00-00)	SILENCER, INTAKE 1 .....	1	
16	(867-14441-00-00)	SILENCER, INTAKE 2 .....	1	
17	98906-06016-00	SCREW, BIND .....	4	
18	90201-06059-00	WASHER, PLATE .....	4	
19	(91906-06018-00)	SCREW, BIND .....	1	
20	90201-06067-00	WASHER, PLATE .....	1	
21	(90387-06244-00)	COLLAR .....	1	
22	90480-15060-00	GROMMET .....	1	
23	(867-14493-00-00)	STAY 1 .....	1	
24	97016-06016-00	BOLT .....	2	
25	92906-06100-00	WASHER, SPRING .....	2	
26	(898-77451-00-00)	EMBLEM 1 .....	1	
27	853-77452-00-00	EMBLEM 2 .....	1	
28	(864-14457-00-00)	SEAL .....	1	
29	(864-14467-00-00)	SEAL .....	1	

CONTINUED ON NEXT FRAME ➤

Property of [www.SmallEngineDiscount.com](http://www.SmallEngineDiscount.com) - Not for Resale



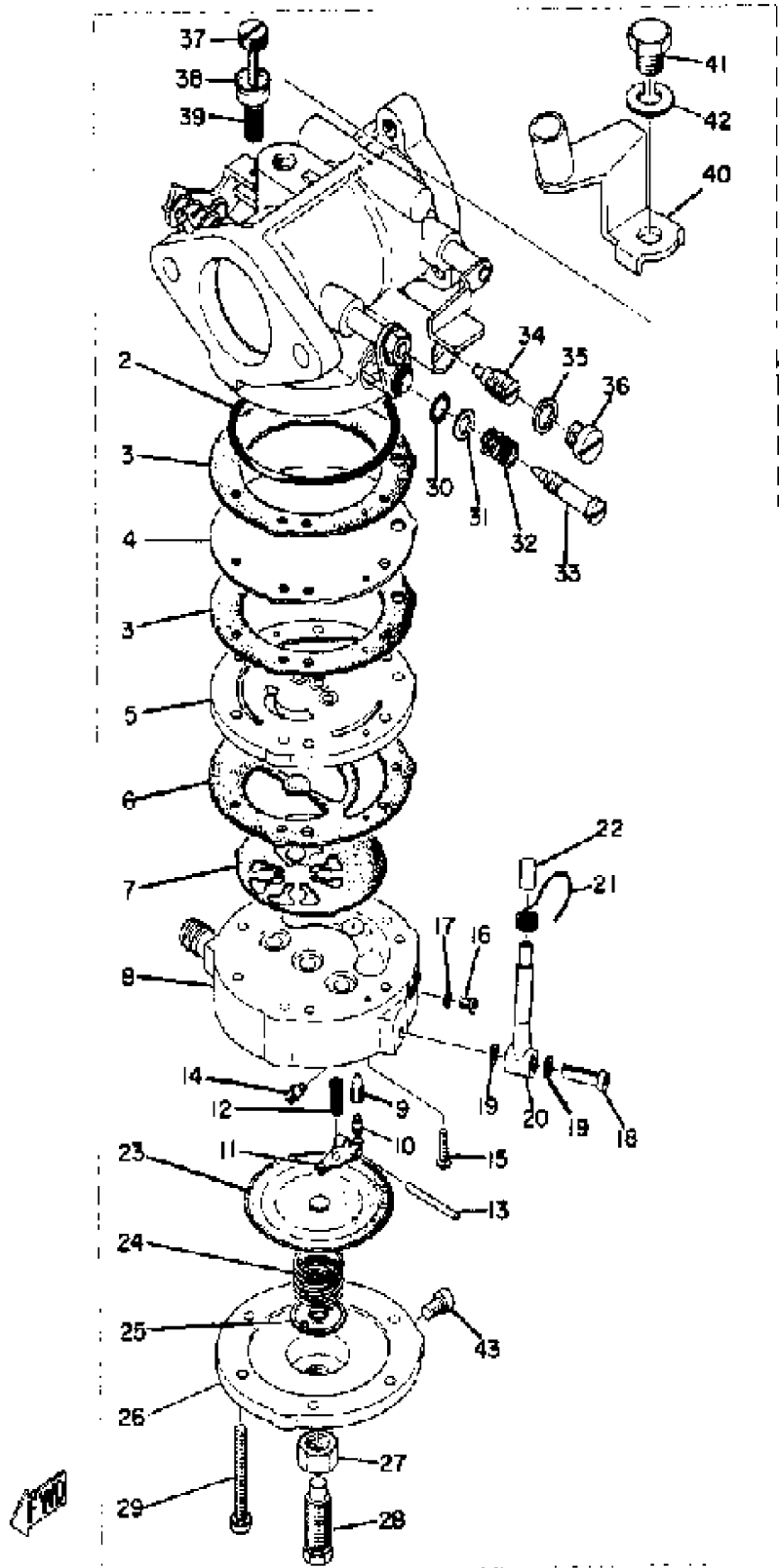
# INTAKE



Ref. No.	Part Number	Description	Qty	Remarks
30	822-41222-00-00	CLAMP, THROTTLE .....	1	
31	(847-77455-00-00)	INDICATOR, CHOKE .....	1	

Property of [www.SmallEngineDiscount.com](http://www.SmallEngineDiscount.com) - Not for Resale

# CARBURETOR



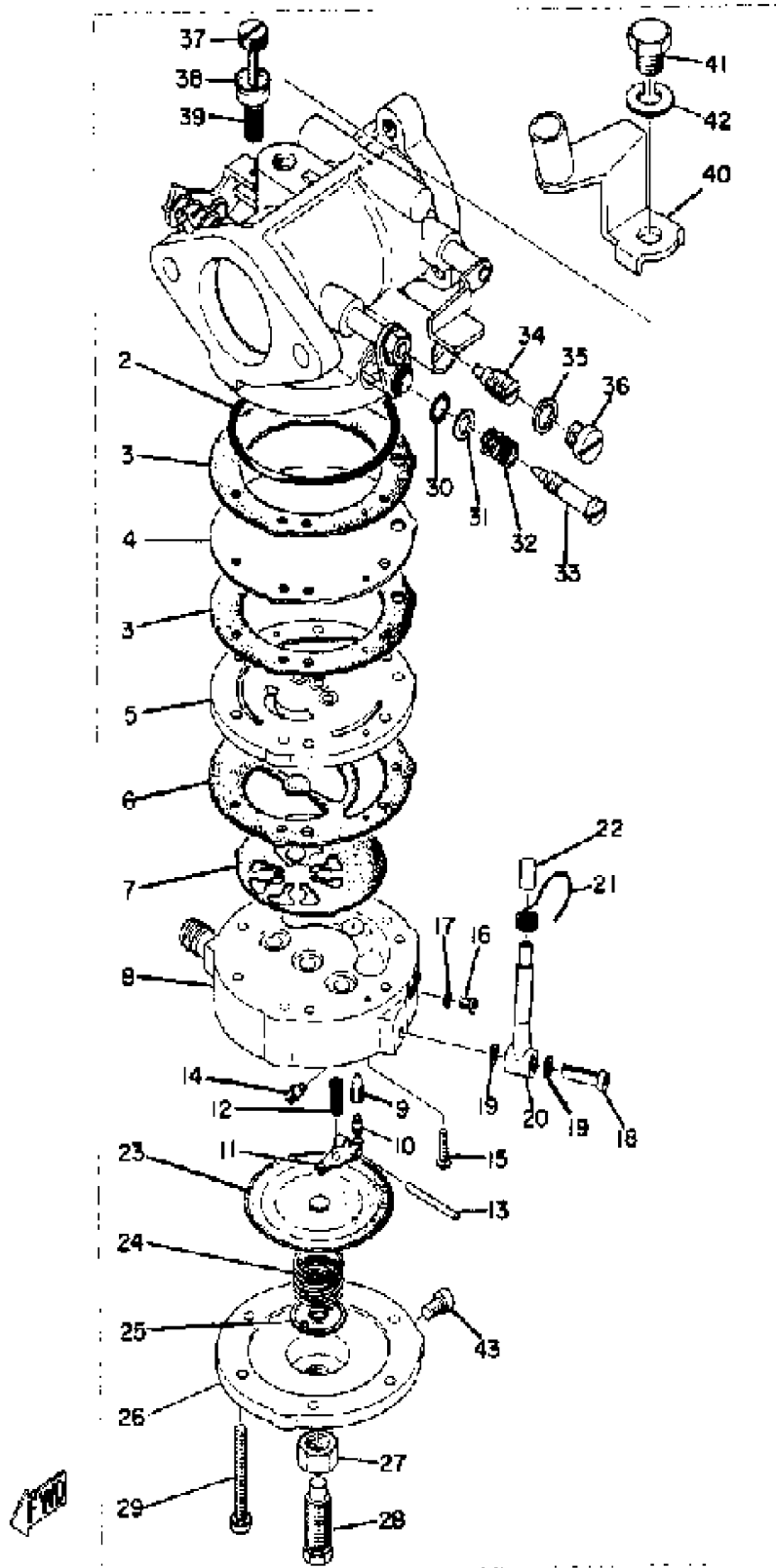
Ref. No.	Part Number	Description	Qty	Remarks
1	(867-14501-00-00)	CARBURETOR ASSEMBLY 1	1	
2	806-14562-00-00	. O-RING	1	
3	838-14536-00-00	. GASKET	2	
4	834-14541-00-00	. DIAPHRAGM, PUMP	1	
5	(838-14542-00-00)	BODY, PUMP 1	1	
6	834-14553-00-00	. GASKET	1	
7	806-14552-01-00	. VALVE, CHECK	1	
8	(853-14543-01-00)	BODY, PUMP 2	1	
9	838-14546-00-00	. VALVE, NEEDLE	1	
10	676-14186-00-00	. PIN, FLOAT	1	
11	(810-14547-00-00)	ARM, FLOAT	1	
12	810-14556-00-00	. SPRING	1	
13	(806-14548-00-00)	PIN, FLOAT ARM	1	
14	(853-14515-65-00)	JET # 5	1	
15	98702-03008-00	. SCREW, FLAT HEAD	1	
16	(806-14567-01-00)	SCREW	1	
17	810-14597-00-00	. WASHER	1	
18	8A1-14592-00-00	. SCREW	1	
19	806-14559-00-00	. WASHER	2	
20	(853-14197-00-00)	PIPE, AIRVENT	1	
21	(824-14159-00-00)	CLIP	1	
22	853-24462-00-00	. CAP, BLIND	1	
23	810-14545-00-00	. DIAPHRAGM	1	
24	(810-14555-00-00)	SPRING	1	
25	(810-14136-00-00)	SEAT, SPRING	1	
26	(810-14544-00-00)	BODY, PUMP 3	1	
27	95303-08700-00	. NUT	1	
28	824-14565-00-00	. SCREW, STOP	1	
29	(824-14567-00-00)	SCREW	6	

CONTINUED ON NEXT FRAME ➤

Property of [www.SmallEngineDiscount.com](http://www.SmallEngineDiscount.com) - Not for Resale



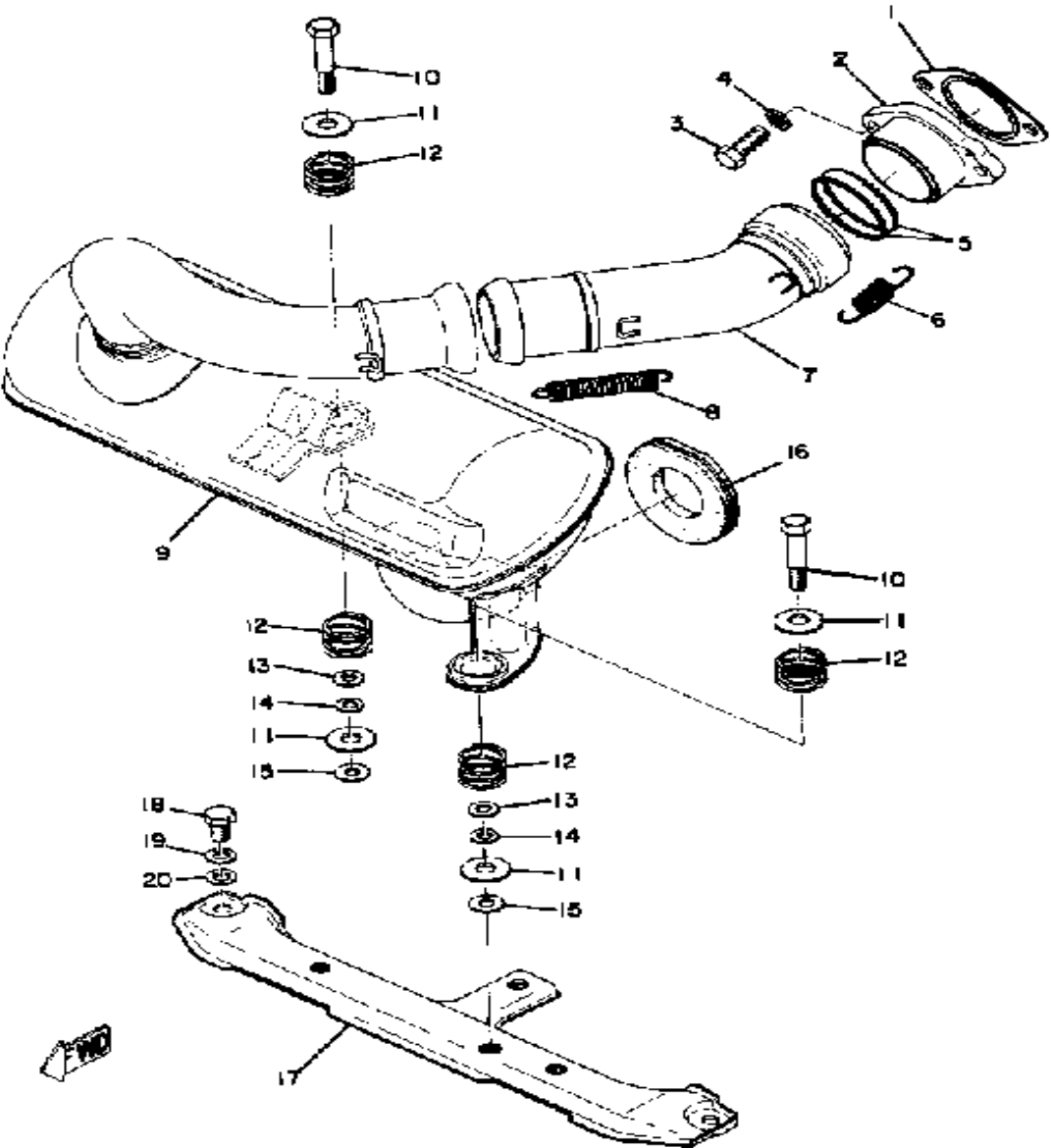
# CARBURETOR



Ref. No.	Part Number	Description	Qty	Remarks
30	824-14563-00-00	. O-RING .....	1	
31	838-14596-00-00	. WASHER .....	1	
32	(824-14531-00-00)	SPRING, AJST SCREW .....	1	
33	(853-14522-00-00)	SCREW, ADJUST .....	1	
34	(845-14516-15-00)	JET, MAIN #1 5 .....	1	U.R.
	845-14516-20-00	. JET, MAIN #1 0 .....	1	U.R.
	845-14516-25-00	. JET, MAIN #125 (125) .....	1	U.R. STD
	845-14516-30-00	. JET, MAIN #130 (130) .....	1	U.R.
35	(810-14558-00-00)	WASHER .....	1	
36	(845-14567-00-00)	SCREW .....	1	
37	(867-14523-00-00)	SCREW, STOP .....	1	
38	(867-14578-00-00)	COLLAR .....	1	
39	(806-14533-00-00)	SPRING, AJST SCREW .....	1	
40	(867-14571-00-00)	BRACKET, THROTTLE .....	1	
41	97313-08012-00	. BOLT .....	1	
42	92990-08100-00	. WASHER .....	1	
43	98511-04006-00	. SCREW, PAN HEAD (98501-04005) .....	1	

Property of [www.SmallEngineDiscount.com](http://www.SmallEngineDiscount.com) - Not for Resale

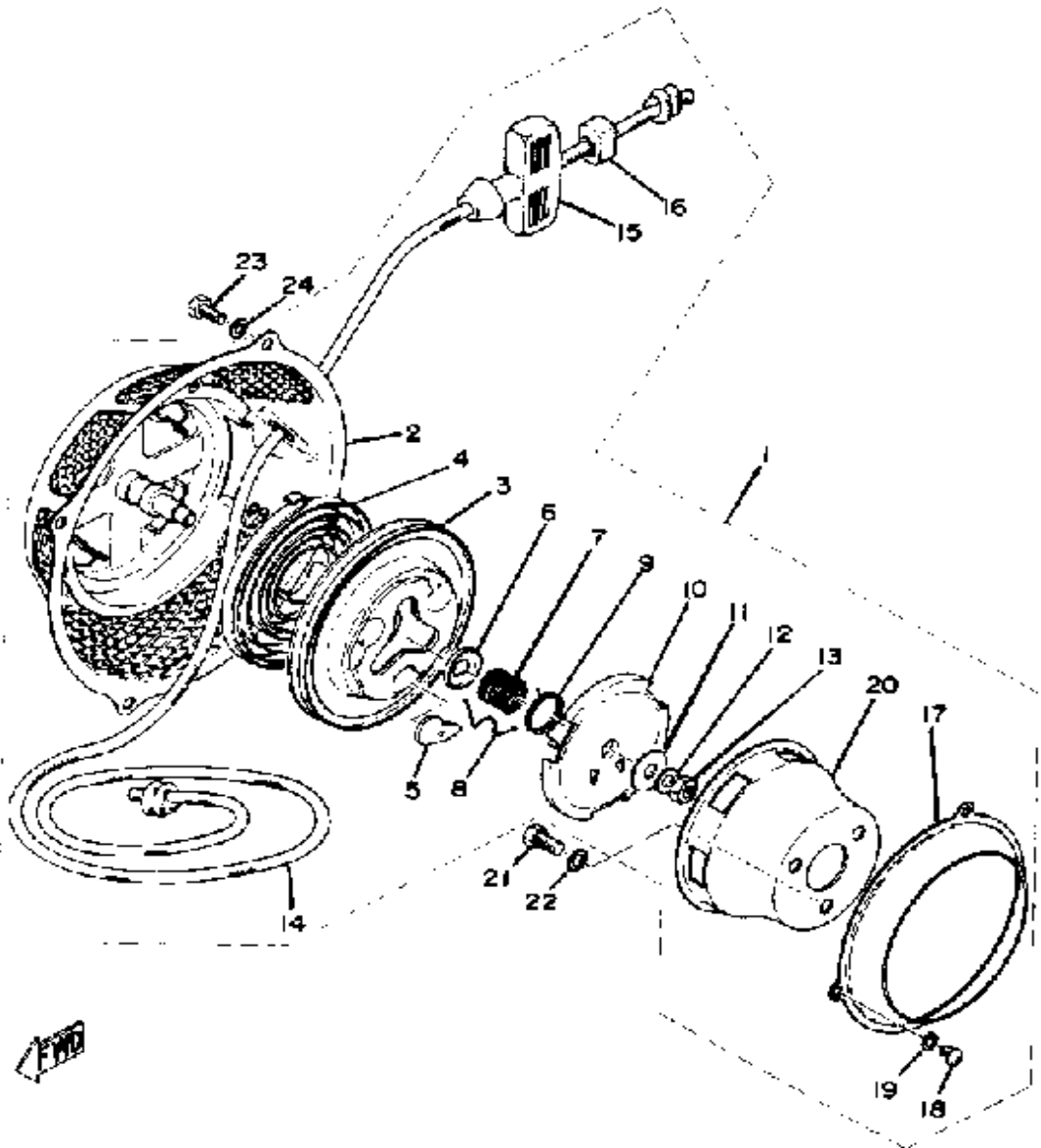
# EXHAUST



Ref. No.	Part Number	Description	Qty	Remarks
1	834-14613-00-00	GASKET, EXST PIPE .....	1	
2	(853-14612-00-00)	NUT, RING .....	1	
3	97013-08025-00	BOLT .....	2	
4	92990-08100-00	WASHER .....	2	
5	(812-14623-00-00)	GASKET, EXST PIPE .....	2	
6	90506-20074-00	SPRING, TENSION .....	2	
7	(853-14610-00-00)	EXHAUST PIPE ASSEMBLY L .	1	
8	821-14773-00-00	SPRING, MUFFLER .....	2	
9	(853-14710-02-00)	MUFFLER ASSEMBLY L .....	1	
10	90109-08293-00	BOLT .....	2	
11	90201-10437-00	WASHER, PLATE .....	4	
12	853-14773-02-00	SPRING, MUFFLER .....	4	
13	(90560-08065-00)	SPACER .....	2	
14	92990-08100-00	WASHER .....	2	
15	(90201-07080-00)	WASHER, PLATE .....	2	
16	(853-14718-00-00)	PROTECTOR, MUFF 1 .....	1	
17	(841-14771-02-00)	STAY, MUFFLER 1 .....	1	
18	97313-08018-00	BOLT, HEXAGON (97301-08016)	2	
19	92990-08100-00	WASHER .....	2	
20	92901-08600-00	WASHER .....	2	

Property of [www.SmallEngineDiscount.com](http://www.SmallEngineDiscount.com) - Not for Resale

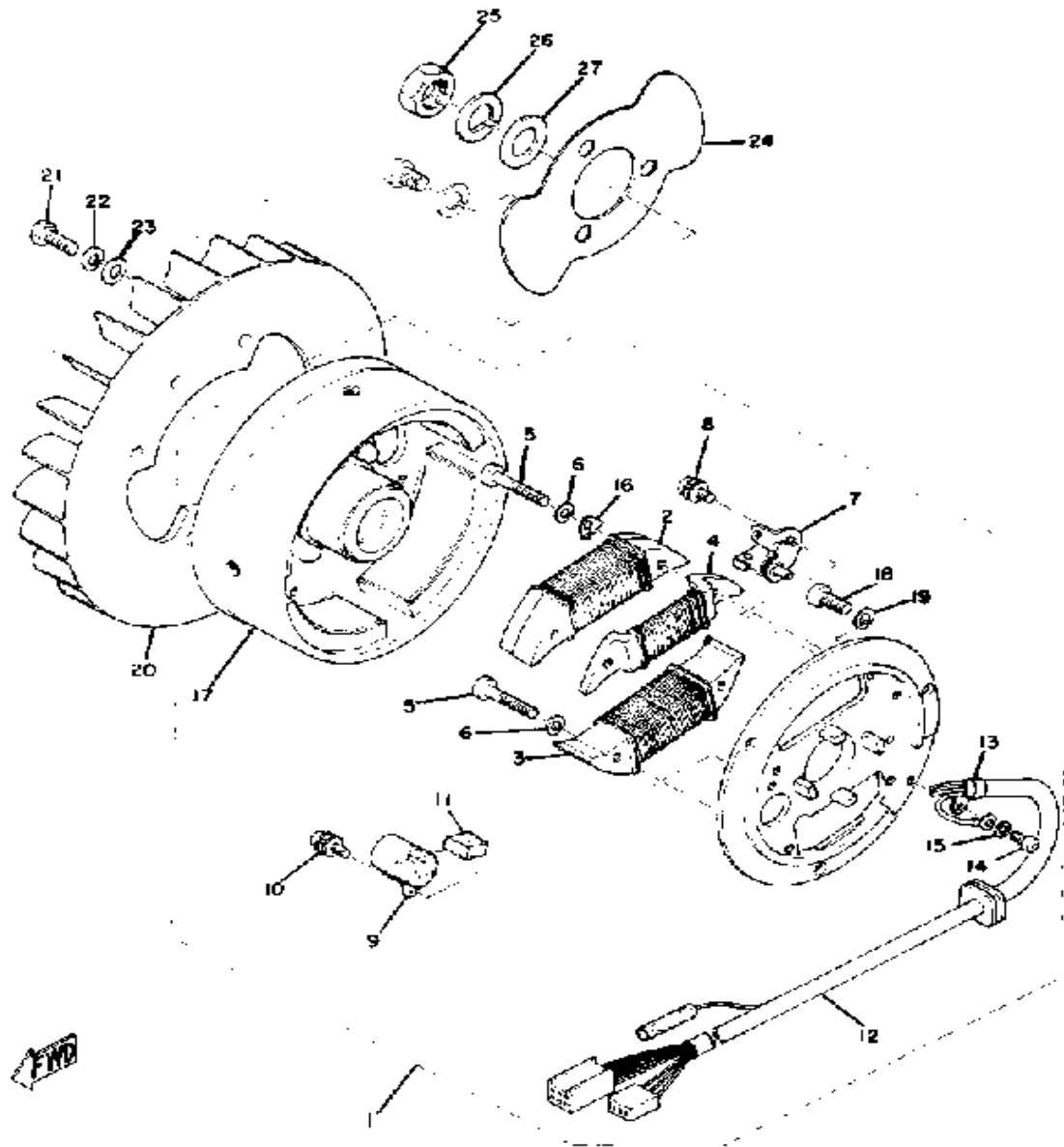
# STARTER



Ref. No.	Part Number	Description	Qty	Remarks
1	(860-15710-00-00)	STARTER ASSEMBLY .....	1	
2	(860-15711-00-00)	CASE, STARTER .....	1	
3	812-15714-00-00	. DRUM, SHEAVE .....	1	
4	802-15713-00-00	. SPRING, STARTER .....	1	
5	812-15741-00-00	. PAWL, DRIVE .....	3	
6	626-15719-00-00	. WASHER, THRUST (802-15719-00) .....	1	
7	626-15715-01-00	. SPRING, DRIVE PLATE (807-15715-00) .....	1	
8	812-15784-00-00	. SPRING, RETURN .....	1	
9	811-15734-00-00	. SPRING, RETURN .....	1	
10	812-15716-00-00	. PLATE, DRIVE .....	1	
11	807-15726-01-00	. WASHER, FLAT .....	1	
12	92990-08100-00	. WASHER .....	1	
13	95303-08700-00	. NUT .....	1	
14	812-15751-00-00	. ROPE, STARTER .....	1	
15	807-15755-00-00	. HANDLE, STARTER .....	1	
16	619-15756-00-00	. CONNECTOR 1 .....	1	
17	(812-15782-00-00)	COVER, SHEAVE .....	1	
18	98580-05006-00	. SCREW, PAN HEAD .....	3	
19	92990-05100-00	. WASHER, SPRING .....	3	
20	(812-15723-00-00)	PULLEY, STARTER .....	1	
21	97313-08016-00	BOLT, HEXAGON .....	3	
22	92990-08100-00	WASHER .....	3	
23	97016-06016-00	BOLT .....	4	
24	92906-06100-00	WASHER, SPRING .....	4	

Property of [www.SmallEngineDiscount.com](http://www.SmallEngineDiscount.com) - Not for Resale

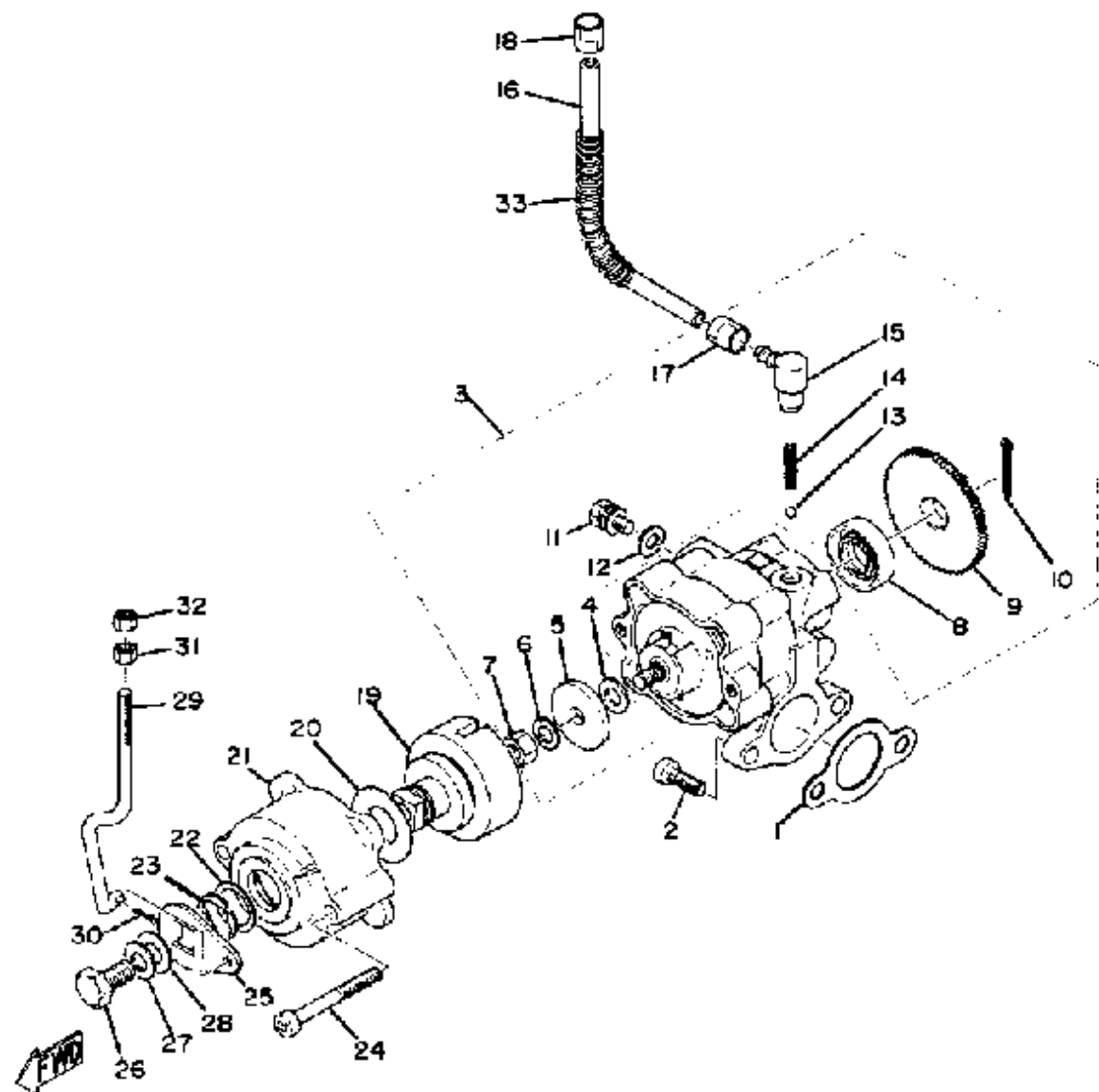
# FLYWHEEL MAGNETO



Ref. No.	Part Number	Description	Qty	Remarks
1	(898-81300-20-00)	FLYWHL MAGNETO ASSEMBLY	1	
2	839-81312-20-00	. COIL, SOURCE	1	
3	898-81313-20-00	. COIL, LIGHTING 1	1	
4	(839-81314-20-00)	COIL, LIGHTING 2	1	
5	802-81345-20-00	. SCREW, PAN HEAD	4	
6	92990-05100-00	. WASHER, SPRING	4	
7	806-81321-20-00	. CONTACT BRKR ASSEMBLY	1	
8	110-81346-21-00	. SCREW, PAN HEAD	1	
9	802-81325-90-00	. CONDENSER 1	1	
10	110-81346-21-00	. SCREW, PAN HEAD	1	
11	116-81331-20-00	. LUBRICATOR	1	
12	(898-81315-20-00)	LEAD WIRE ASSEMBLY	1	
13	104-81328-20-00	. CLAMP	1	
14	98580-04008-00	. SCREW, PAN HEAD	1	
15	92901-04100-00	. WASHER, SPRING	1	
16	(812-81332-20-00)	PLATE, TIMING	1	
17	(860-81350-20-00)	ROTOR ASSEMBLY	1	
18	98503-06014-00	SCREW, PAN HEAD (92502-06016)	3	
19	92990-06200-00	WASHER	3	
20	(812-12611-00-00)	FAN	1	
21	90101-06127-00	BOLT	6	
22	92995-06100-00	WASHER, SPRING	6	
23	90201-06M08-00	WASHER, PLATE	6	
24	(812-81362-00-00)	COVER, HOLE	1	
25	90170-16182-00	NUT	1	
26	92901-16100-00	WASHER, SPRING	1	
27	90201-16247-00	WASHER, PLATE (807-11557-00)	1	

Property of [www.SmallEngineDiscount.com](http://www.SmallEngineDiscount.com) - Not for Resale

# OIL PUMP

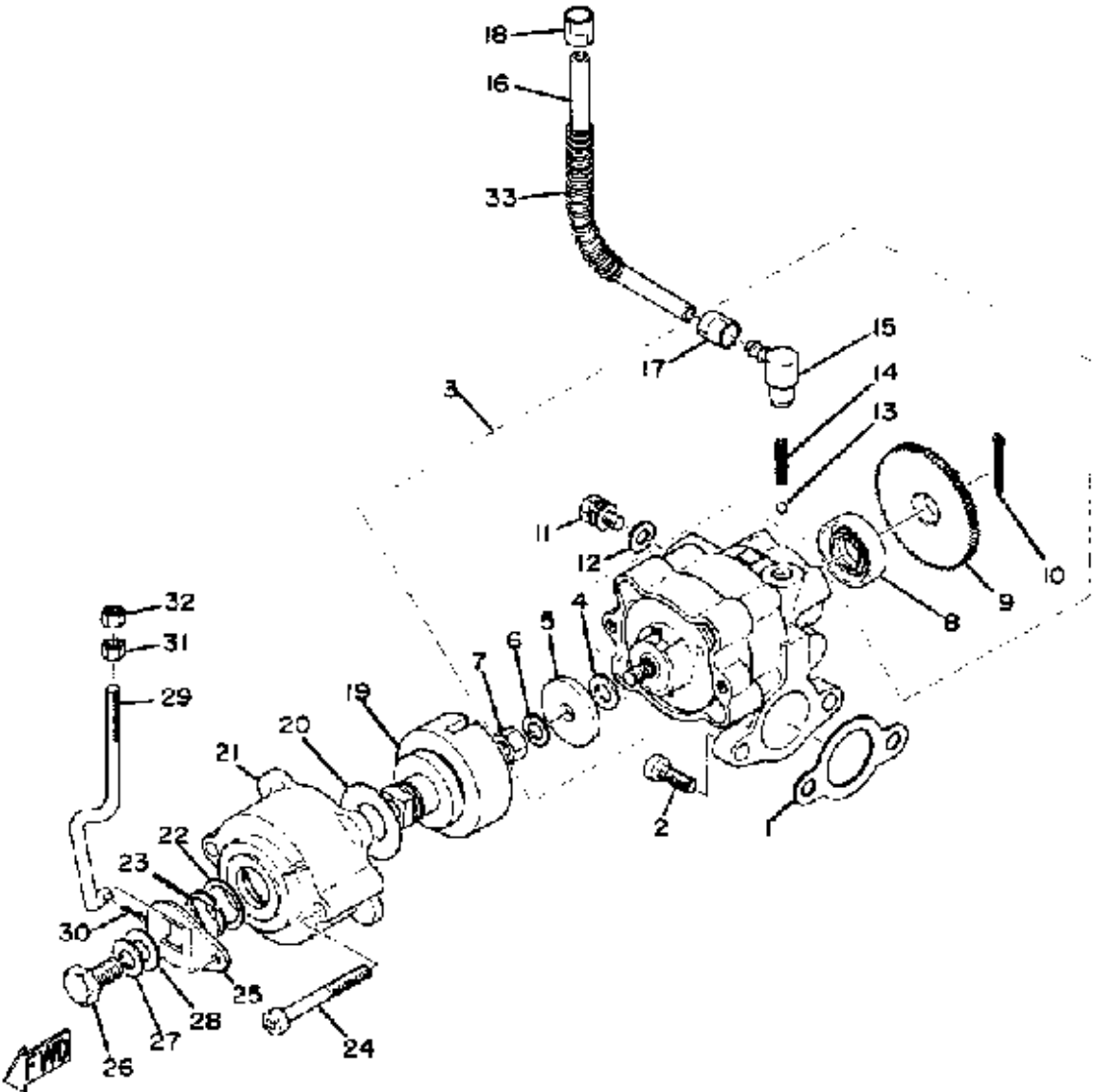


Ref. No.	Part Number	Description	Qty	Remarks
1	3MT-13116-00-00	GASKET, PUMP CASE (8Y0-13116-00)	1	
2	98580-05016-00	SCREW, PAN HEAD	2	
3	(898-13101-00-00)	OIL PUMP ASSEMBLY	1	
4	(137-13137-00-30)	SHIM, PLUNGER	1	U.R.
	137-13137-00-10	. SHIM (1.0T)	1	U.R.
5	137-13138-01-00	. PLATE, ADJUSTING	1	
6	92990-05100-00	. WASHER, SPRING	1	
7	95380-05600-00	. NUT	1	
8	93101-10090-00	. OIL SEAL	1	
9	(137-13128-00-00)	PLATE, STARTER	1	
10	91401-12018-00	. PIN, COTTER	1	
11	(90109-04178-00)	BOLT	1	
12	90430-04004-00	. GASKET	1	
13	93505-32002-00	. BALL	1	
14	90501-02018-00	. SPRING, COMPRESSION	1	
15	353-13552-01-00	. NOZZLE	1	
16	90445-05301-00	. HOSE (214-13161-01)	1	
17	90468-02033-00	. CLIP	1	
18	90468-02033-00	CLIP	1	
19	860-13153-00-00	SHAFT, PUMP CONTROL	1	
20	860-13119-00-00	SEAL, GREASE	1	
21	(812-13146-00-00)	COVER, AJST PULLEY	1	
22	(812-13147-00-00)	SHIM	1	
23	99001-09600-00	CIRCLIP	1	
24	98511-04030-00	SCREW, PAN HEAD	2	
25	(812-13156-00-00)	LEVER, PUMP CONTROL	1	
26	97013-06012-00	BOLT	1	
27	92995-06100-00	WASHER, SPRING	1	

CONTINUED ON NEXT FRAME ►

Property of [www.SmallEngineDiscount.com](http://www.SmallEngineDiscount.com) - Not for Resale

# OIL PUMP

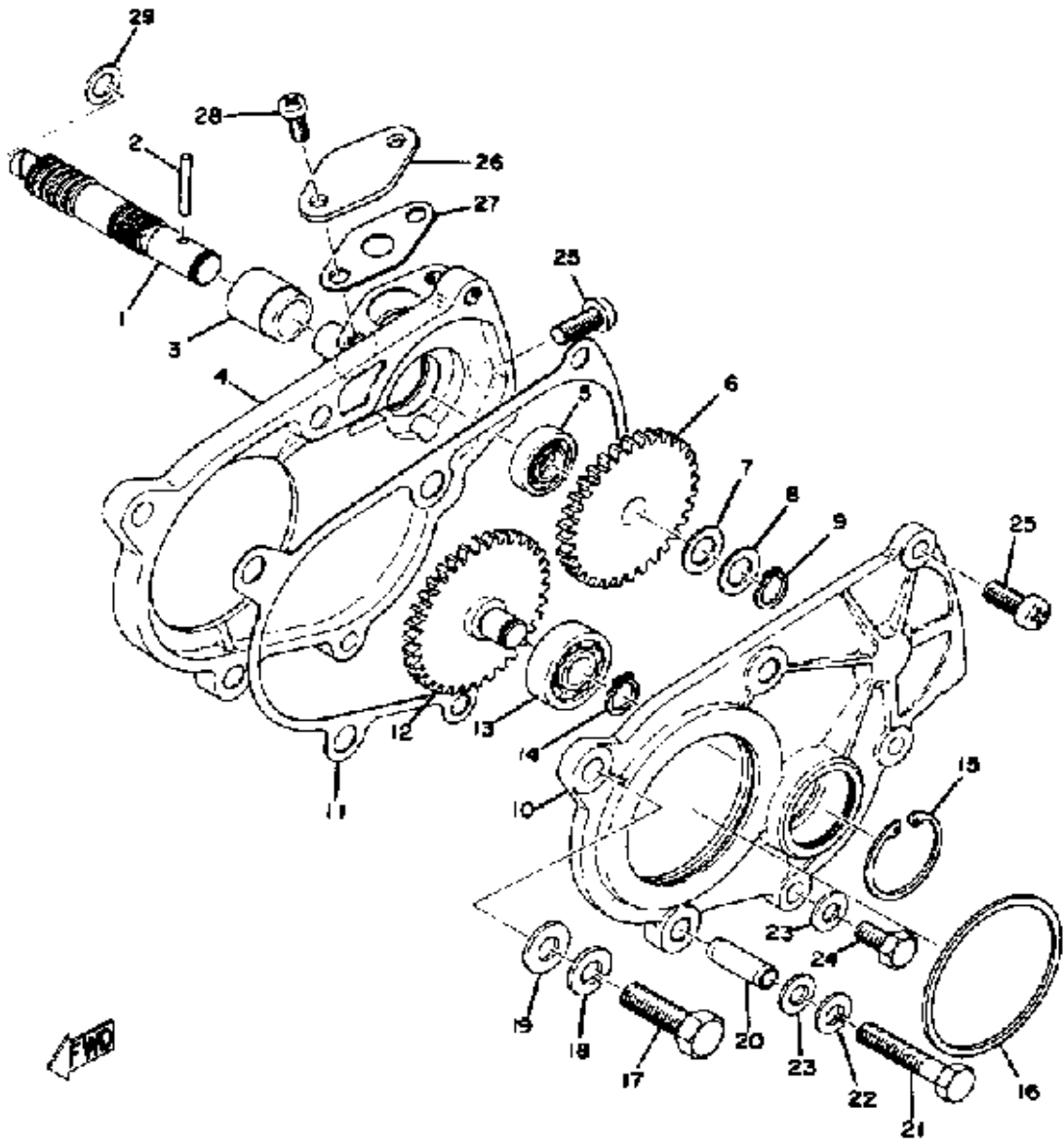


Ref. No.	Part Number	Description	Qty	Remarks
28	92901-06600-00	WASHER .....	1	
29	839-13157-01-00	ROD, PUMP CONTROL .....	1	
30	91490-12012-00	PIN, COTTER .....	1	
31	90170-03008-00	NUT, HEXAGON (807-13139-00)	1	
32	90185-03007-00	NUT, SELF-LOCKING (838-13139-00) .....	1	
33	(90501-04019-00)	SPRING, COMPRESSION .....	1	

Property of [www.SmallEngineDiscount.com](http://www.SmallEngineDiscount.com) - Not for Resale



# PUMP DRIVE-GEAR

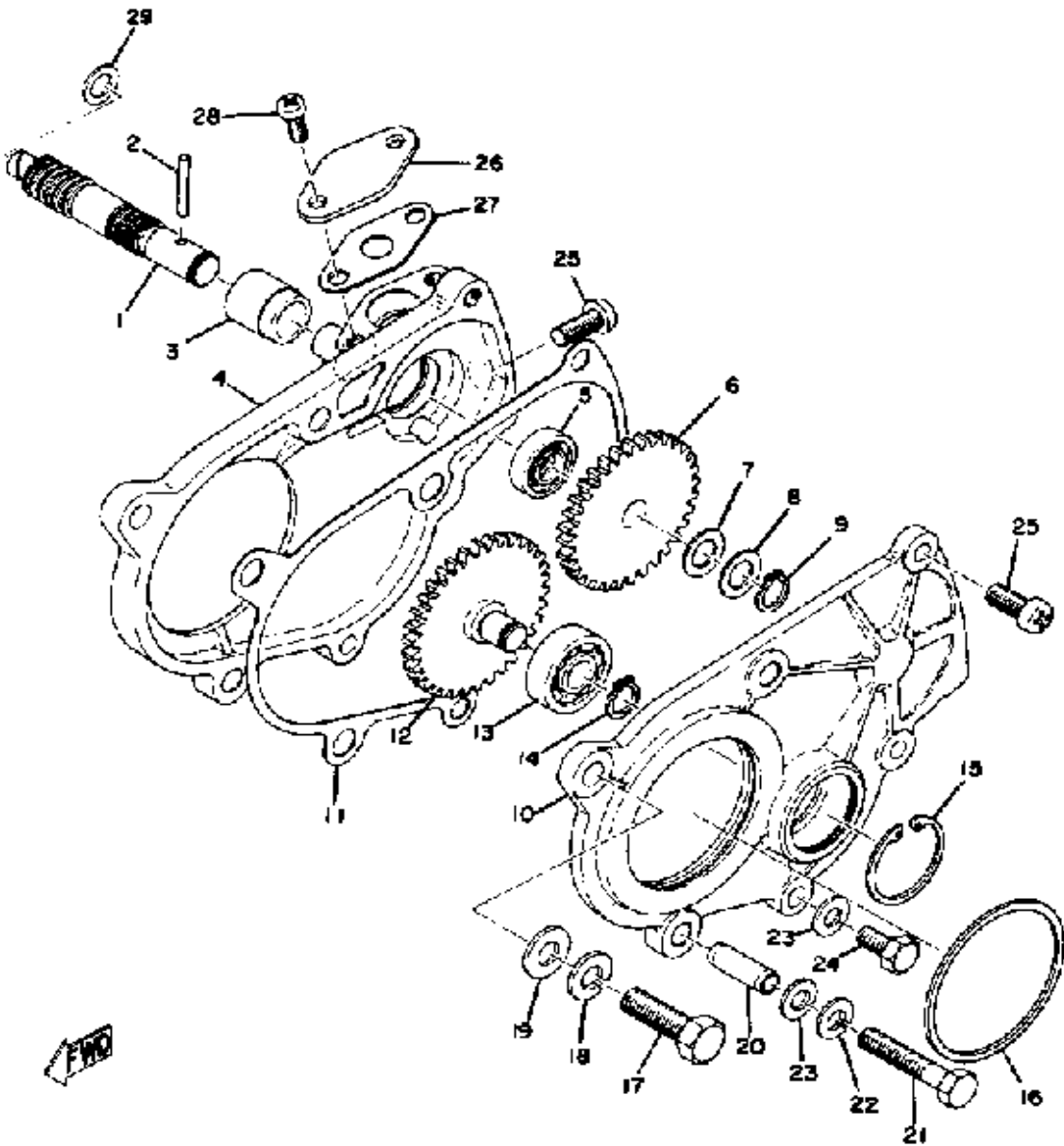


Ref. No.	Part Number	Description	Qty	Remarks
1	821-13175-00-00	SHAFT, WORM .....	1	
2	93603-22028-00	PIN, DOWEL .....	1	
3	821-13176-00-00	METAL, WORM SHAFT OUTER	1	
4	91810-18022-00	PIN, DOWEL .....	1	
5	93101-10090-00	OIL SEAL .....	1	
6	821-13188-00-00	GEAR, DRIVE (32T) .....	1	
7	90206-11016-00	WASHER, WAVE .....	1	
8	137-13148-00-00	PLATE, CAM THRUST .....	1	
9	99009-10400-00	CIRCLIP .....	1	
10	839-15426-00-00	COVER, OIL PUMP R .....	1	
11	860-15466-00-00	GASKET 2 .....	1	
12	(821-13179-00-00)	GEAR, IDLE .....	1	
13	93306-00002-00	BEARING (B6000RS) .....	1	
14	99009-10400-00	CIRCLIP .....	1	
15	93420-26024-00	CIRCLIP, R-TYPE (R-26) .....	1	
16	(838-13119-00-00)	SEAL, GREASE .....	1	
17	97313-08030-00	BOLT, HEXAGON .....	1	
18	92990-08100-00	WASHER .....	1	
19	92901-08600-00	WASHER .....	1	
20	91810-18022-00	PIN, DOWEL .....	2	
21	97013-06035-00	BOLT .....	2	
22	92995-06100-00	WASHER, SPRING .....	2	
23	92901-06600-00	WASHER .....	3	
24	97011-06025-00	BOLT (97001-06025) .....	1	
25	98503-06014-00	SCREW, PAN HEAD (92502-06016) .....	3	
26	824-17819-00-00	CAP, HOUSING .....	1	
27	821-17818-02-00	GASKET .....	1	
28	98580-05010-00	SCREW, PAN HEAD .....	2	

CONTINUED ON NEXT FRAME ►

Property of [www.SmallEngineDiscount.com](http://www.SmallEngineDiscount.com) - Not for Resale

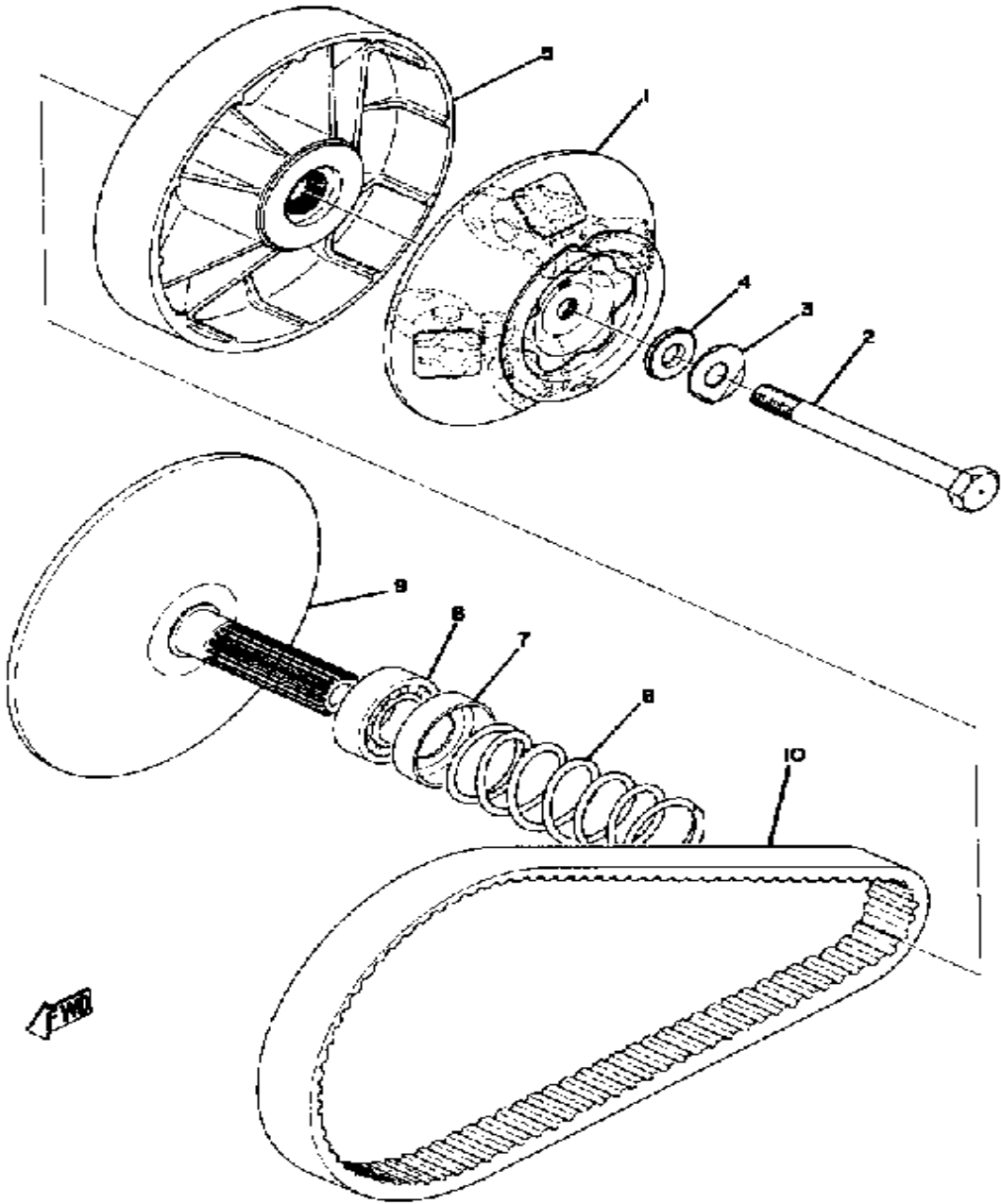
# PUMP DRIVE-GEAR



Ref. No.	Part Number	Description	Qty	Remarks
29	90201-08624-00	WASHER, PLATE .....	1	

Property of [www.SmallEngineDiscount.com](http://www.SmallEngineDiscount.com) - Not for Resale

# PRIMARY SHEAVE

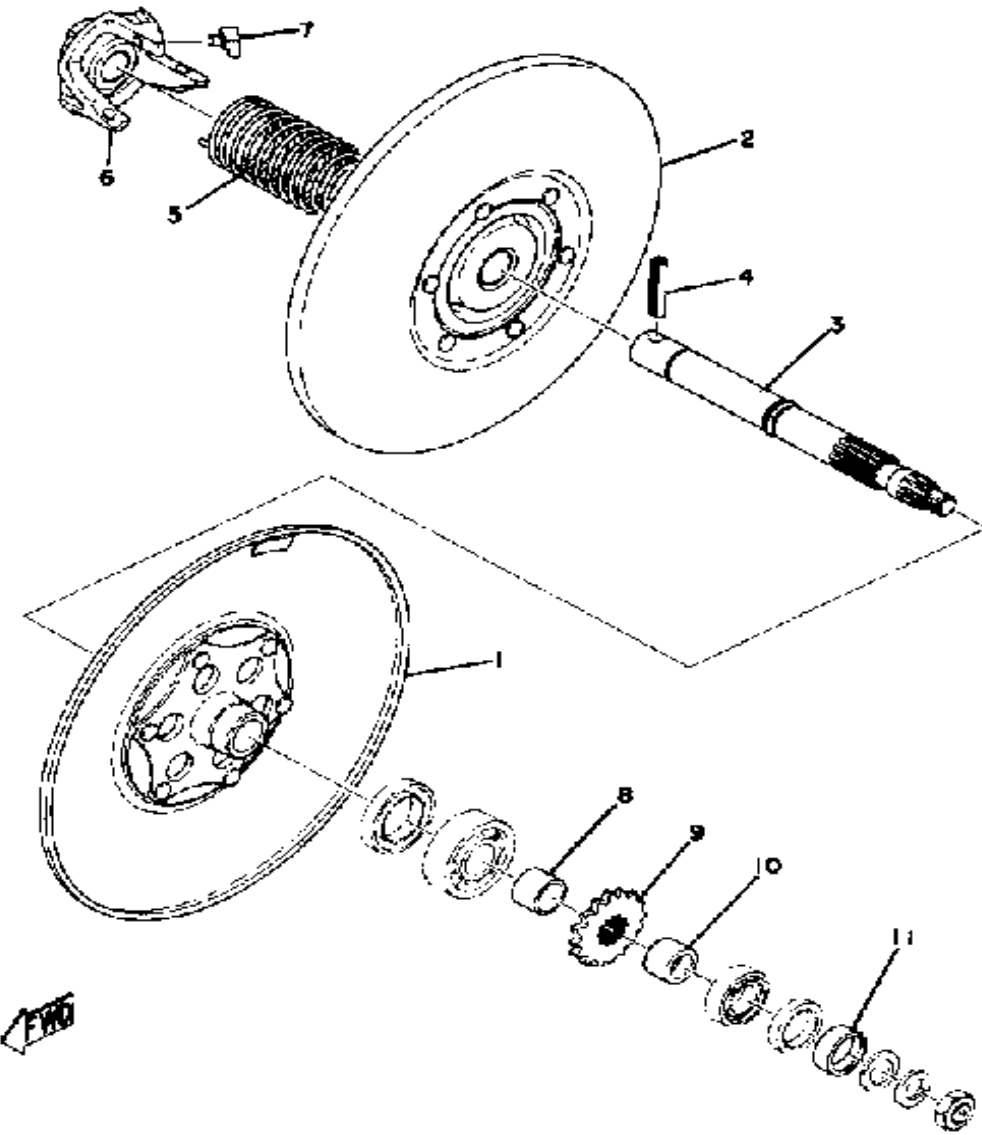


Ref. No.	Part Number	Description	Qty	Remarks
1	867-W1762-00-00	PRI. SHEAVE CAP .....	1	
2	(90101-13149-00)	BOLT .....	1	
3	90215-13085-00	WASHER, LOCK .....	1	
4	(90201-12192-00)	WASHER, PLATE .....	1	
5	(853-17620-00-00)	PRI SLIDG SHEAVE .....	1	
6	90501-45204-00	SPRING, COMPRESSION .....	1	
7	867-17644-00-00	SEAT, SPRING .....	1	
8	93306-20509-00	BEARING (B6205) (93306-20525) 0 1 .....	1	
9	(853-W1761-00-00)	PRI. FIXED SHEAVE .....	1	
10	820-17641-00-00	V-BELT .....	1	

Property of [www.SmallEngineDiscount.com](http://www.SmallEngineDiscount.com) - Not for Resale

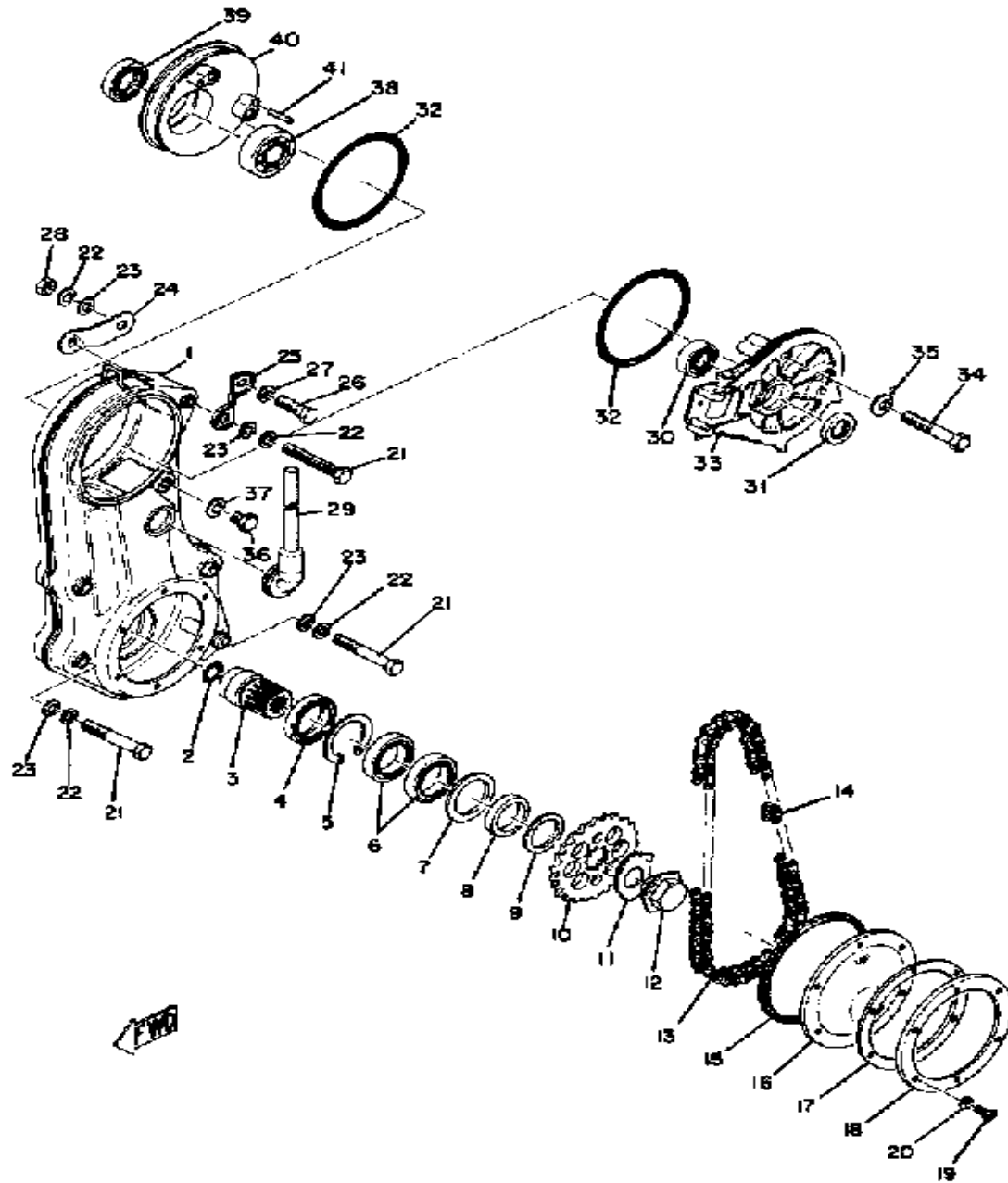
# SECONDARY SHEAVE

Ref. No.	Part Number	Description	Qty	Remarks
1	(853-17660-00-00)	SEC FXD SHV .....	1	
2	(853-17670-00-00)	SEC SLIDING SHEAVE .....	1	
3	(810-17681-00-00)	SHAFT, SECONDARY .....	1	
4	91609-80040-00	PIN, SPRING .....	1	
5	(90508-40168-00)	SPRING, TORSION .....	1	
6	810-17684-01-00	SEAT, SEC SPRINGSRING ..	1	
7	801-17688-10-00	SHOE, RAMP .....	3	
8	90387-19339-00	COLLAR (812-17685-00) .....	1	
9	(812-17682-50-00)	SPRKT, CHAIN DR 15T .....	1	U.R.
	812-17682-00-00	SPROCKET, CHAIN DRIVE (10T) .....	1	U.R.
	812-17682-10-00	SPROCKET, CHAIN DRIVE (11T) .....	1	U.R. STD
	812-17682-20-00	SPROCKET, CHAIN DRIVE (12T) .....	1	U.R.
	812-17682-30-00	SPROCKET, CHAIN DRIVE (13T) .....	1	U.R.
	812-17682-40-00	SPROCKET, CHAIN DRIVE (14T) .....	1	U.R.
10	(90387-17371-00)	COLLAR .....	1	
11	90387-17130-00	COLLAR (818-17686-00) .....	1	



Property of [www.SmallEngineDiscount.com](http://www.SmallEngineDiscount.com) - Not for Resale

# TRACK DRIVE

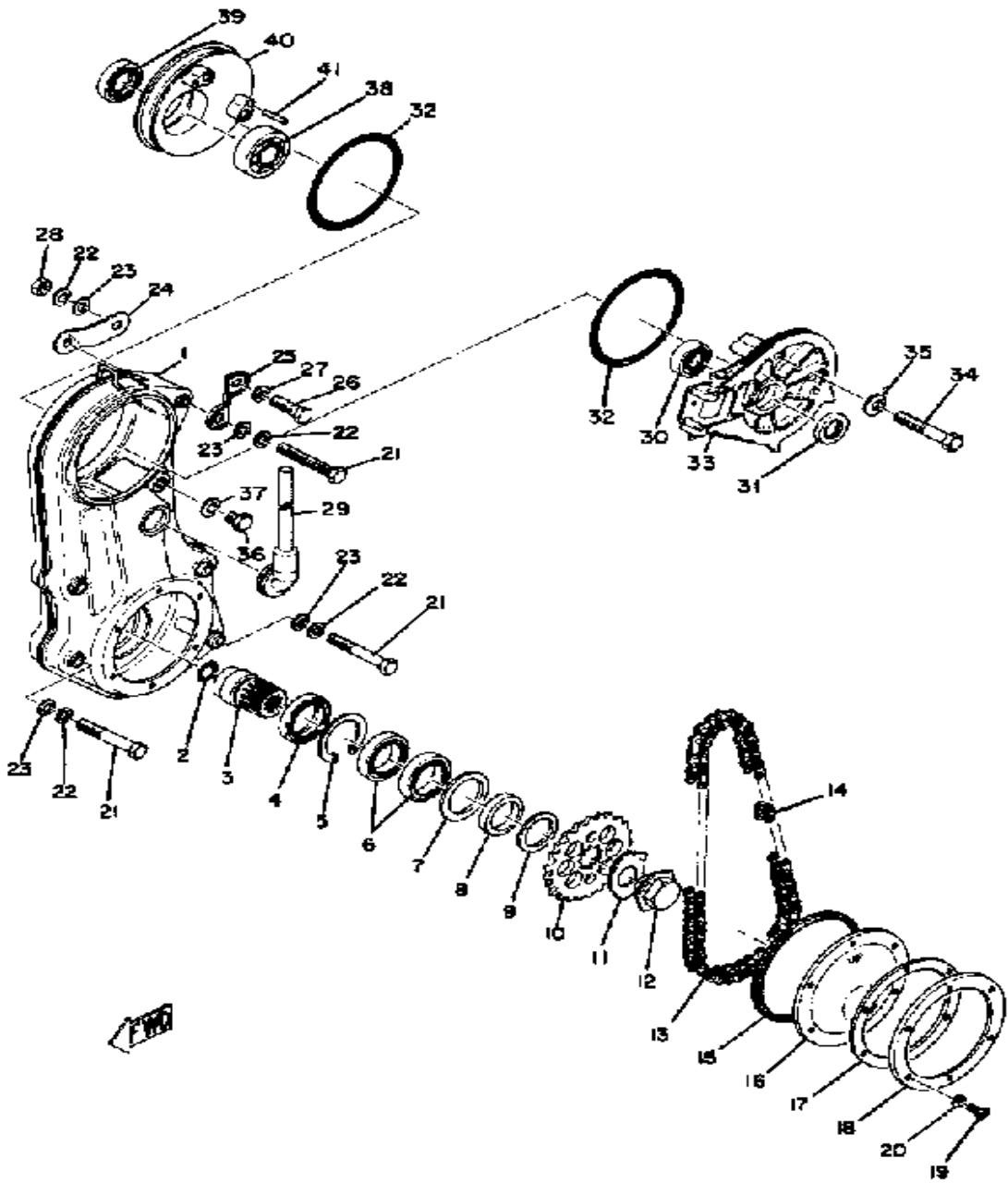


Ref. No.	Part Number	Description	Qty	Remarks
1	(844-47541-00-00)	HOUSING, CHAIN .....	1	
2	93210-25070-00	O-RING .....	1	
3	(841-47571-00-00)	JOURNAL 1 .....	1	
4	93102-40080-00	OIL SEAL, SD-TYPE .....	1	
5	93420-55028-00	CIRCLIP, R-TYPE .....	1	
6	93306-90702-00	BEARING .....	2	
7	90560-35050-00	SPACER .....	1	
8	90387-35206-00	COLLAR .....	1	
9	90201-35300-00	WASHER, PLATE .....	1	
10	(812-47548-40-00)	SPROCKET, CHN DRVN .....	1	U.R. STD
	(812-47548-50-00)	SPROCKET, CHN DRVN .....	1	U.R.
	(812-47548-60-00)	SPROCKET, CHN DRVN .....	1	U.R.
11	90215-24029-00	WASHER, LOCK .....	1	
12	90109-24203-00	BOLT .....	1	
13	(94510-40068-00)	CHAIN .....	1	U.R.
	94510-40066-00	CHAIN .....	1	U.R. STD
14	(94610-40001-00)	JOINT CHAIN .....	1	
15	(806-47558-00-00)	RING, HOUSING .....	1	
16	(821-47543-00-00)	CAP, HOUSING .....	1	
17	821-47544-00-00	GASKET .....	1	
18	(821-47591-00-00)	PLATE .....	1	
19	90143-05004-00	SCREW, HEXAGON .....	6	
20	90210-05005-00	WASHER, SEAL .....	6	
21	97021-08070-00	BOLT .....	5	
22	92990-08100-00	WASHER .....	7	
23	92901-08600-00	WASHER .....	5	
24	(841-47565-00-00)	STAY 1 .....	1	
25	(841-47566-00-00)	STAY 2 .....	1	
26	97313-08035-00	BOLT, HEXAGON .....	1	

CONTINUED ON NEXT FRAME ►

Property of [www.SmallEngineDiscount.com](http://www.SmallEngineDiscount.com) - Not for Resale

# TRACK DRIVE

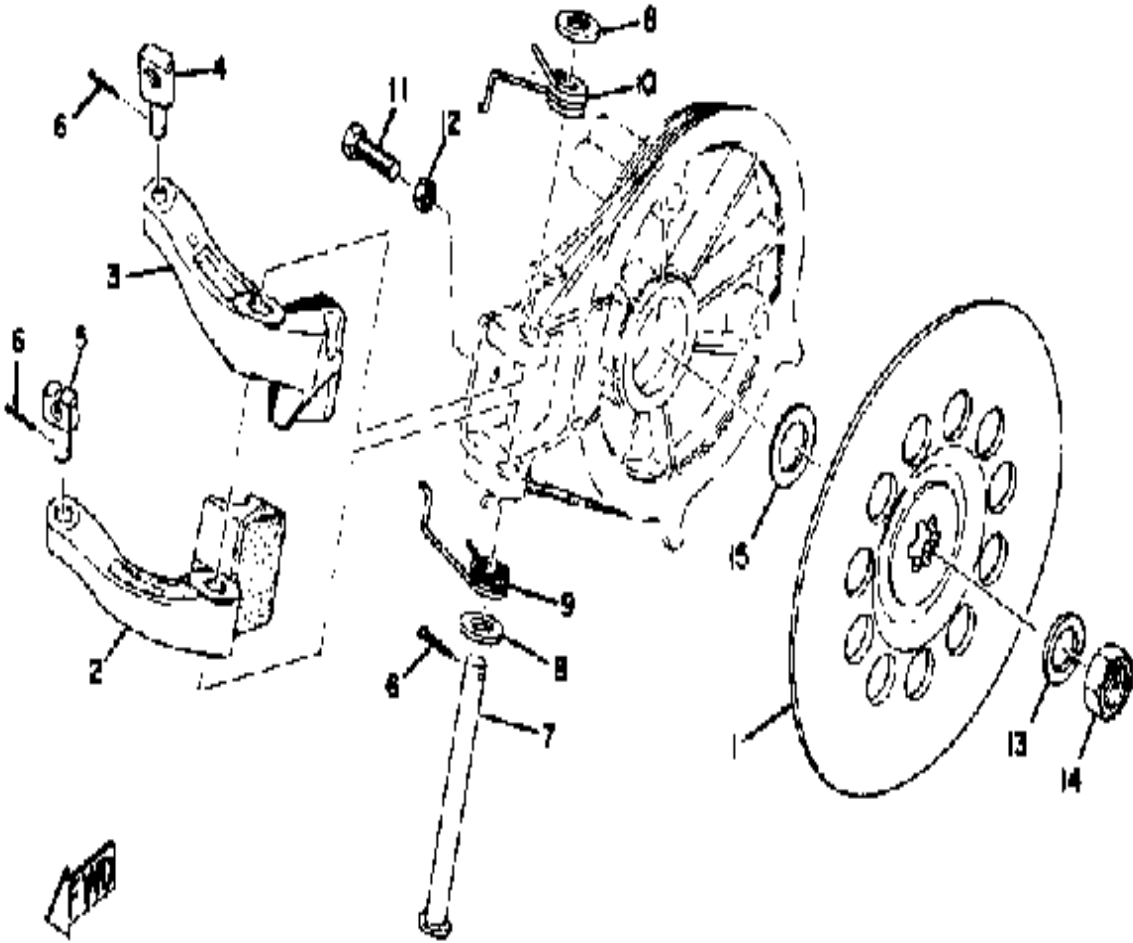


Ref. No.	Part Number	Description	Qty	Remarks
27	92901-08600-00	WASHER .....	1	
28	95333-08600-00	NUT .....	1	
29	(861-47559-00-00)	CAP 2 .....	1	
30	93306-20310-00	BEARING .....	1	
31	93102-22087-00	OIL SEAL .....	1	
32	93211-13109-00	O-RING .....	2	
33	(818-47561-00-00)	HOUSING, SEC SHAFT .....	1	
34	97013-08060-00	BOLT (663) .....	2	
35	90210-08002-00	WASHER, SEAL .....	2	
36	97301-08010-00	BOLT, HEXAGON .....	1	
37	92990-08100-00	WASHER .....	1	
38	93306-30407-00	BEARING (B6304C3) .....	1	
39	93102-30083-00	SEAL, OIL .....	1	
40	810-47562-00-00	HOUSING, SEC SHAFT .....	1	
41	93604-18058-00	PIN, DOWEL .....	2	

Property of [www.SmallEngineDiscount.com](http://www.SmallEngineDiscount.com) - Not for Resale



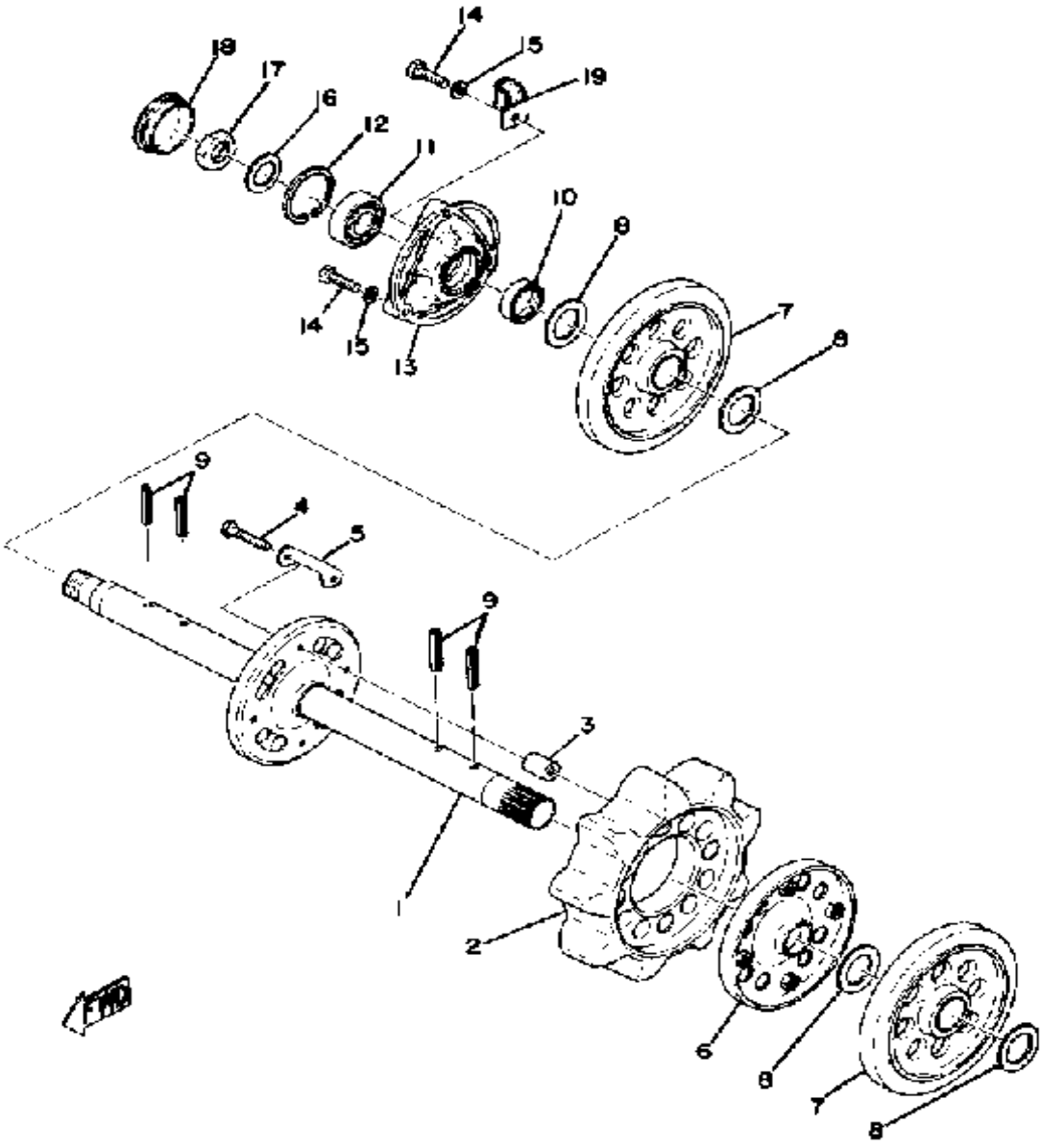
# BRAKE



Ref. No.	Part Number	Description	Qty	Remarks
1	810-25711-00-00	DISC, BRAKE .....	1	
2	821-25730-00-00	CALIPER BODY 1 .....	1	
3	821-25740-00-00	CALIPER BODY 2 .....	1	
4	90249-06012-00	PIN .....	1	
5	90249-06009-00	PIN .....	1	
6	91490-20020-00	PIN, COTTER .....	3	
7	90240-08023-00	PIN, CLEVIS .....	1	
8	92901-08600-00	WASHER .....	2	
9	(90508-26270-00)	SPRING, TORSION .....	1	
10	(90508-26271-00)	SPRING, TORSION .....	1	
11	97313-05020-00	BOLT, HEXAGON .....	1	
12	95311-05700-00	NUT .....	1	
13	92901-12100-00	WASHER, SPRING .....	1	
14	95301-12700-00	NUT (95302-12700) .....	1	
15	(150-17417-00-03)	SHIM 1 .....	1	
	150-17417-00-02	SHIM 1 .....	1	

Property of [www.SmallEngineDiscount.com](http://www.SmallEngineDiscount.com) - Not for Resale

# FRONT AXLE

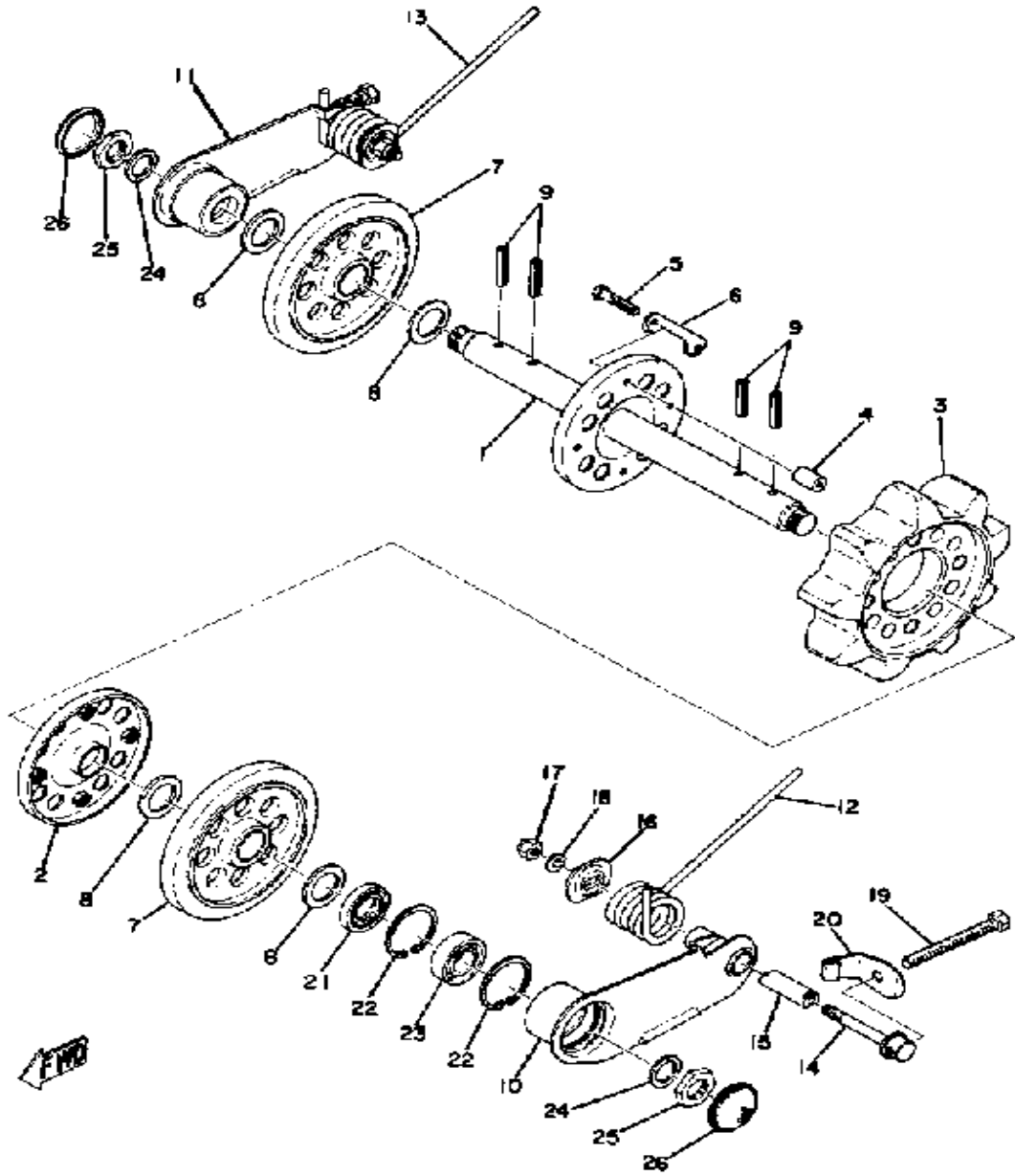


Ref. No.	Part Number	Description	Qty	Remarks
1	821-47510-00-00	FRONT AXLE .....	1	
2	810-47532-00-00	WHEEL, SPROCKET 2 .....	1	
3	(90387-06021-00)	COLLAR .....	4	
4	97013-06035-00	BOLT .....	4	
5	90215-06100-00	WASHER, LOCK .....	2	
6	(810-47522-00-00)	RIM, SPROCKET WHL 2 .....	1	
7	810-47530-00-00	GUIDE WHEEL .....	2	
8	90201-25499-00	WASHER, PLATE .....	4	
9	91609-60036-00	PIN, SPRING .....	4	
10	93102-25084-00	OIL SEAL, SD-TYPE .....	1	
11	93306-00412-00	BEARING .....	1	
12	93420-44029-00	CIRCLIP, R-TYPE .....	1	
13	841-47551-00-00	HOUSING, FRONT AXLE .....	1	
14	97013-08025-00	BOLT .....	3	
15	92990-08100-00	WASHER .....	3	
16	90208-22001-00	WASHER, CONICAL SPRING ..	1	
17	90170-22094-00	NUT .....	1	
18	810-47552-00-00	CAP .....	1	
19	90465-06100-00	CLAMP .....	1	

Property of [www.SmallEngineDiscount.com](http://www.SmallEngineDiscount.com) - Not for Resale

**B10**

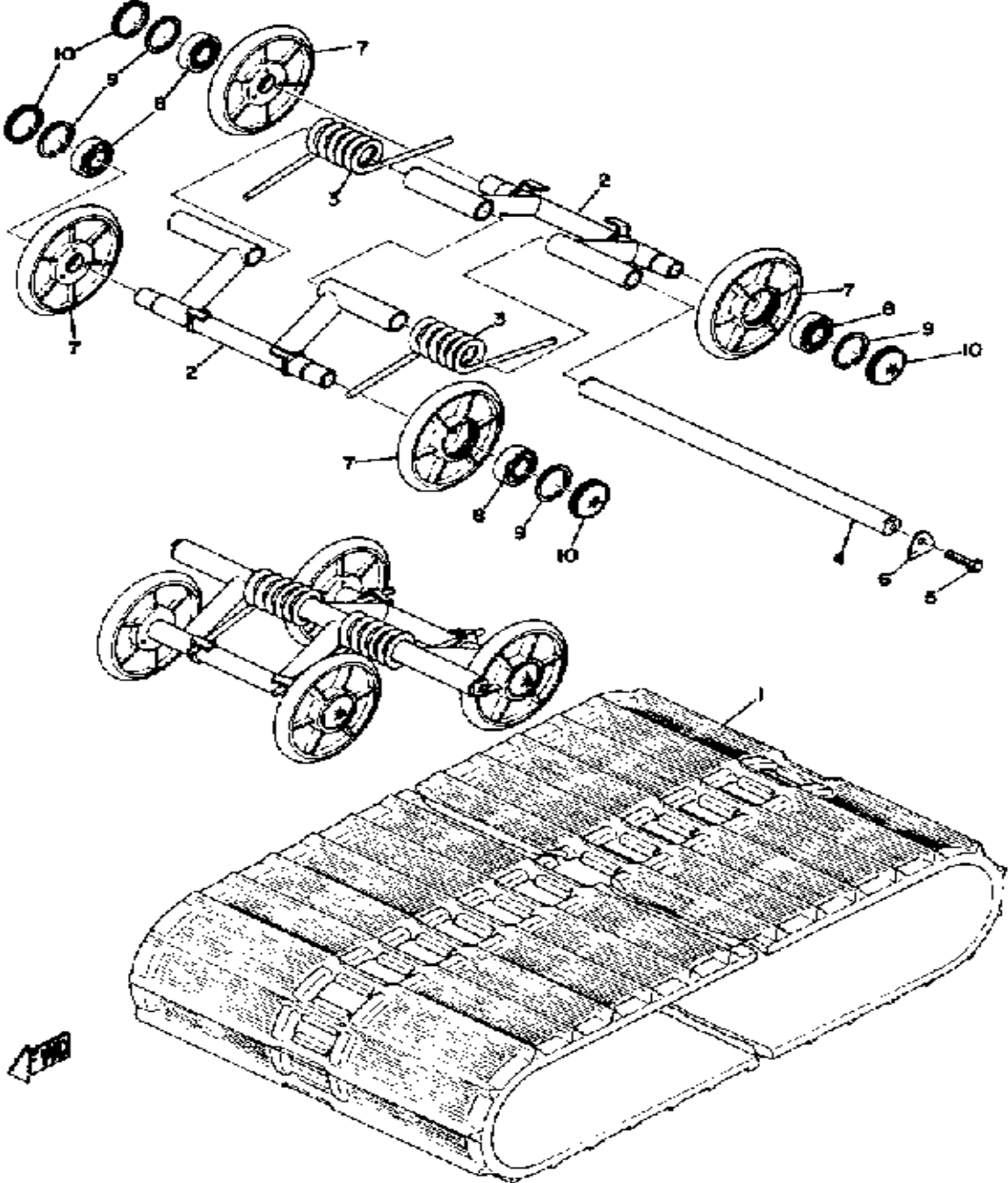
# REAR AXLE



Ref. No.	Part Number	Description	Qty	Remarks
1	853-47520-01-00	REAR AXLE	1	
2	853-47522-00-00	RIM, SPROCKET WHL 2	1	
3	810-47532-00-00	WHEEL, SPROCKET 2	1	
4	(90387-06021-00)	COLLAR	4	
5	97013-06035-00	BOLT	4	
6	90215-06100-00	WASHER, LOCK	2	
7	810-47530-00-00	GUIDE WHEEL	2	
8	90201-25499-00	WASHER, PLATE	4	
9	91609-60036-00	PIN, SPRING	4	
10	853-47361-00-00	ARM, REAR PIVOT 1	1	
11	(853-47362-00-00)	ARM, REAR PIVOT 2	1	
12	90508-72114-00	SPRING, TORSION	1	PAINTED WHT
13	90508-72084-00	SPRING, TORSION (812-47364-00)	1	PAINTED WHT
14	90149-08021-00	SCREW, SPEC'L SHAPE (853-47367-01)	2	
15	853-47369-00-00	COLLAR	2	
16	90209-22027-00	WASHER, SPEC'L SHAP	2	
17	95611-08100-00	NUT, U	2	
18	90201-08326-00	WASHER, PLATE	2	
19	90106-08050-00	BOLT, DOME HEAD (841-47373-00)	2	
20	90215-08069-00	WASHER, LOCK	2	
21	93102-25110-00	OIL SEAL, SD-TYPE	2	
22	93450-42020-00	CIRCLIP, INNER	4	
23	93306-00426-00	BEARING	2	
24	90208-20008-00	WASHER, CONICAL SPRING	2	
25	90170-20102-00	NUT, HEXAGON	2	
26	818-47317-01-00	CAP, WHEEL	2	

Property of [www.SmallEngineDiscount.com](http://www.SmallEngineDiscount.com) - Not for Resale

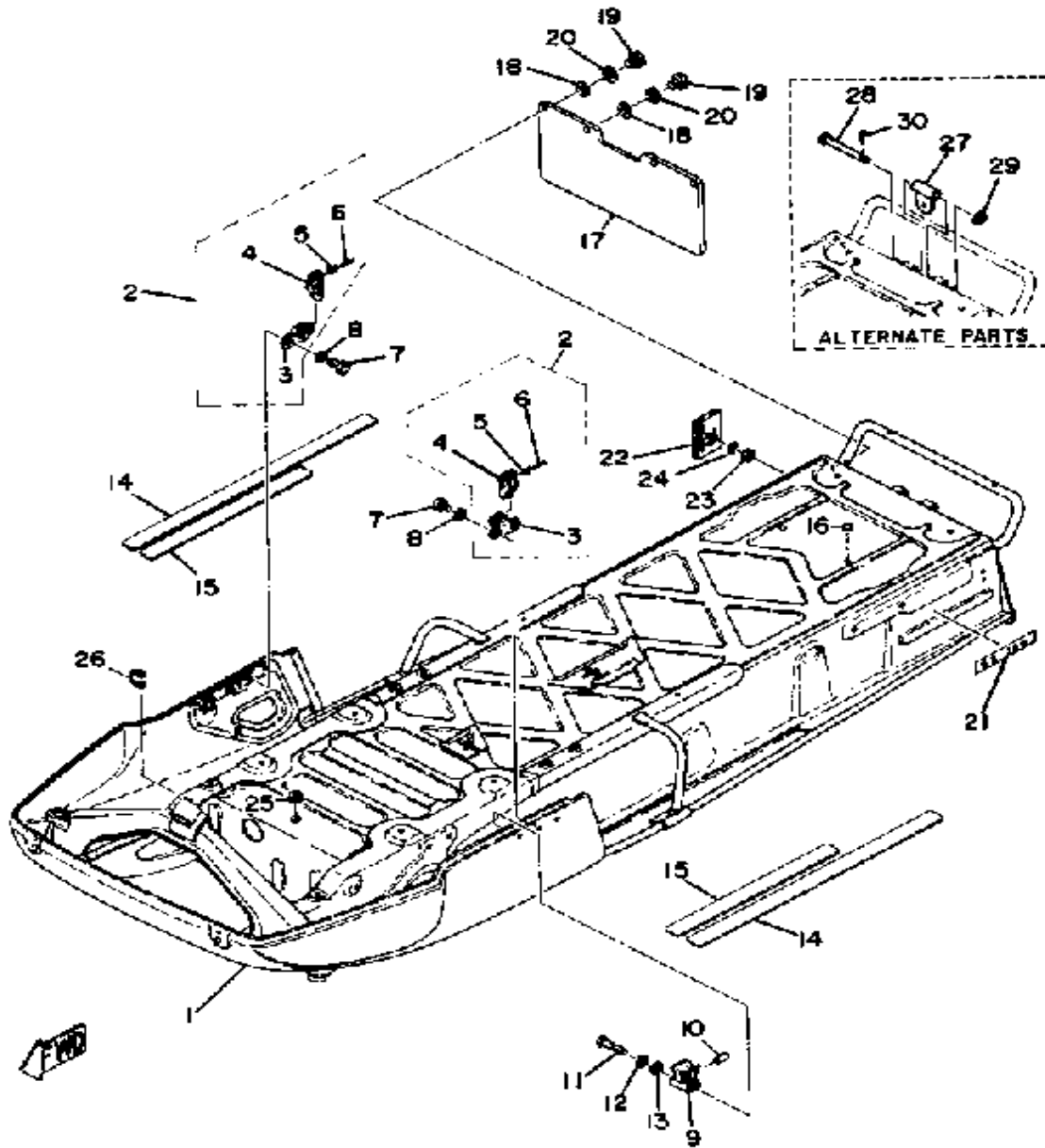
# TRACK-SUSPENSION WHEEL



Ref. No.	Part Number	Description	Qty	Remarks
1	(861-47110-00-00)	TRACK ASSEMBLY .....	1	
2	(806-47331-01-00)	ARM, PIVOT 1 .....	6	
3	90508-65089-00	SPRING, TORSION .....	2	REAR
	90508-70100-00	SPRING, TORSION .....	4	FRT.äCENTER PAINTED BLUE
4	(802-47337-00-00)	SHAFT, PIVOT .....	3	
5	97013-08025-00	BOLT .....	6	
6	(806-47347-00-00)	WASHER, LOCK .....	6	
7	885-47320-01-00	SUSPENSION WHEEL COMP. .	12	
8	93306-00441-00	BEARING (89A) (B6004RS) ...	12	
9	99009-42500-00	CIRCLIP .....	12	
10	818-47317-01-00	CAP, WHEEL .....	12	

Property of [www.SmallEngineDiscount.com](http://www.SmallEngineDiscount.com) - Not for Resale

# FRAME

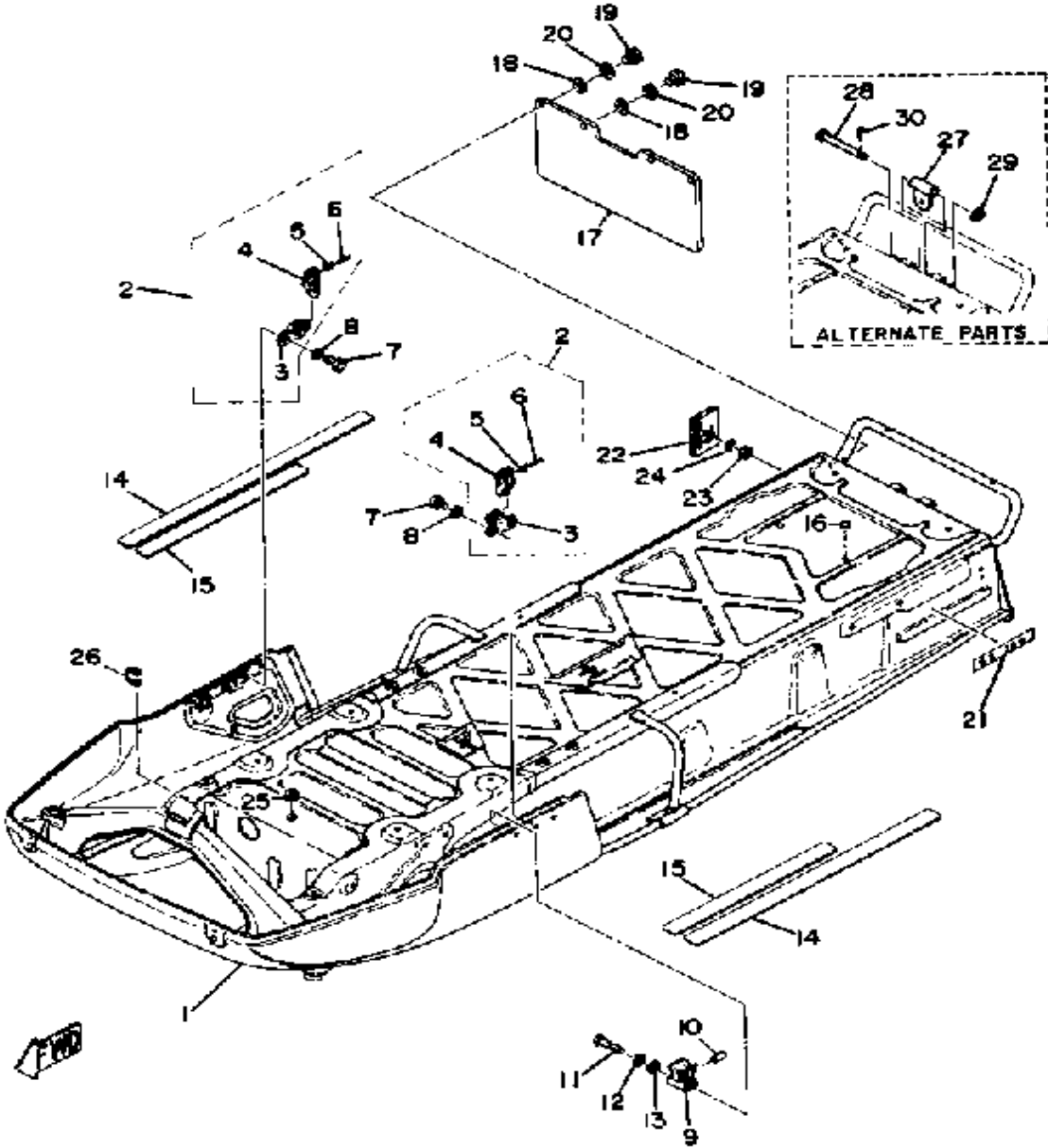


Ref. No.	Part Number	Description	Qty	Remarks
1	(898-21910-00-00)	FRAME .....	1	
2	806-77170-00-00	LATCH ASSEMBLY .....	2	
3	(806-77172-00-00)	BODY, LATCH 2 .....	2	
4	806-77173-00-00	. LEVER, LATCH 1 .....	2	
5	90508-10012-00	. SPRING, TORSION .....	2	
6	90249-04068-00	. PIN, SPECL SHAPE .....	2	
7	97313-05016-00	BOLT, HEXAGON .....	4	
8	92990-05100-00	WASHER, SPRING .....	4	
9	90464-09006-00	CLAMP .....	2	
10	821-77188-01-00	STOPPER .....	2	
11	97026-06045-00	BOLT .....	2	
12	92906-06100-00	WASHER, SPRING .....	2	
13	92906-06600-00	WASHER .....	2	
14	878-27413-00-00	COVER, FOOTREST .....	2	
15	878-27423-00-00	COVER, FOOTREST .....	2	
16	(867-21969-00-00)	COVER, NUT .....	2	
17	865-77595-00-00	FLAP .....	1	
18	90201-06697-00	WASHER, PLATE .....	4	
19	97313-06016-00	BOLT, HEXAGON .....	4	
20	92995-06100-00	WASHER, SPRING .....	4	
21	(898-77354-00-00)	EMBLEM 4 .....	2	
22	(821-85131-00-00)	REFLECTOR, REAR 1 .....	2	
23	90185-06040-00	NUT, SELF-LOCKING .....	2	
24	92990-05200-00	WASHER, PLAIN .....	2	
25	810-77716-00-00	ORNAMENT, INSTRUMENT PANEL 2 .....	1	
26	(841-82591-00-00)	BAND .....	1	
	UNA-VAILA-BL-EI	0 0 .....		
27	802-77591-00-00	BRACKET, HITCH 1 .....	1	

CONTINUED ON NEXT FRAME ►

Property of [www.SmallEngineDiscount.com](http://www.SmallEngineDiscount.com) - Not for Resale

# FRAME

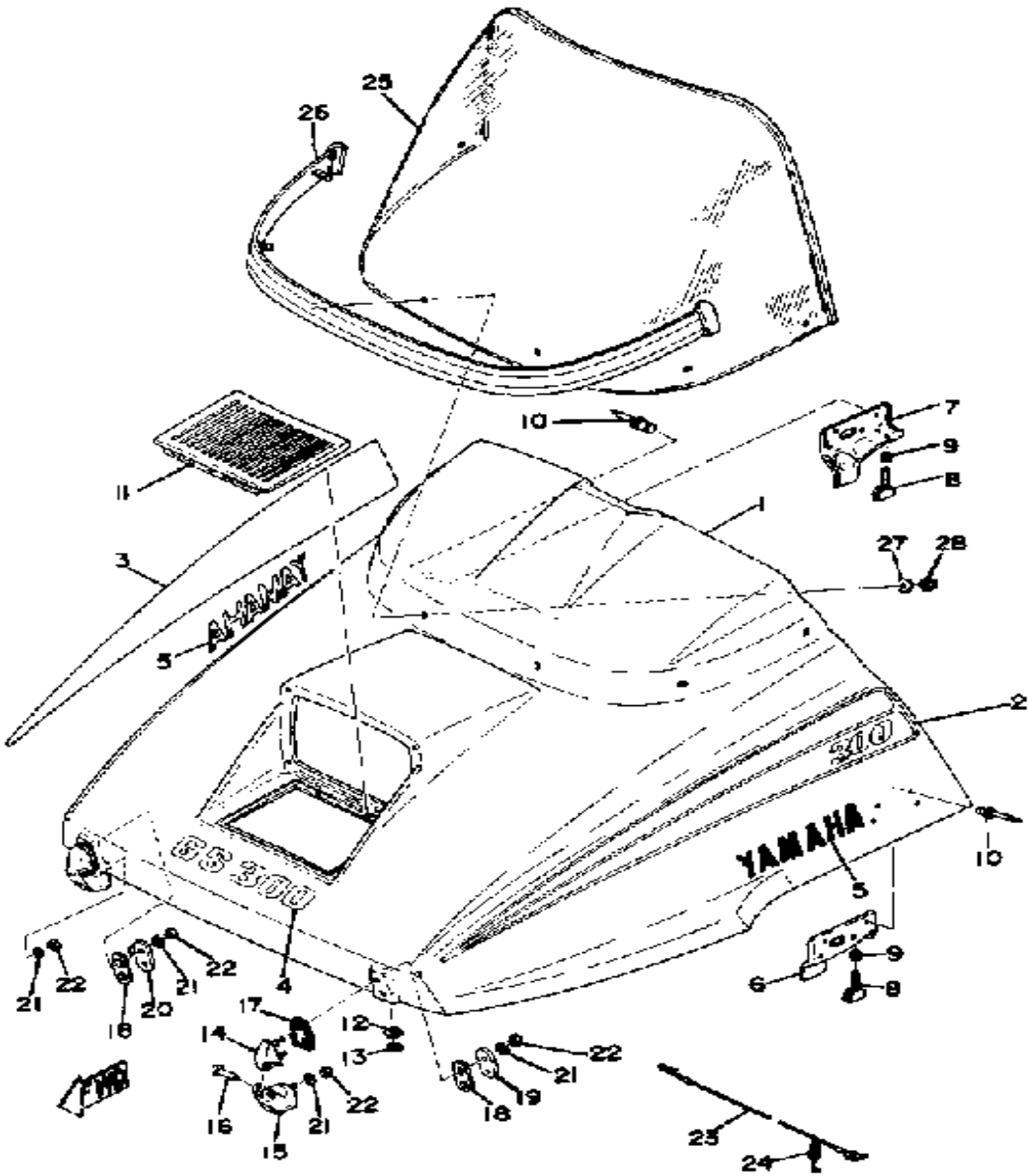


Ref. No.	Part Number	Description	Qty	Remarks
28	(91701-08102-00)	PIN, CLEVIS .....	1	
29	92901-08600-00	WASHER .....	1	
30	91401-25020-00	PIN, COTTER .....	1	

Property of [www.SmallEngineDiscount.com](http://www.SmallEngineDiscount.com) - Not for Resale



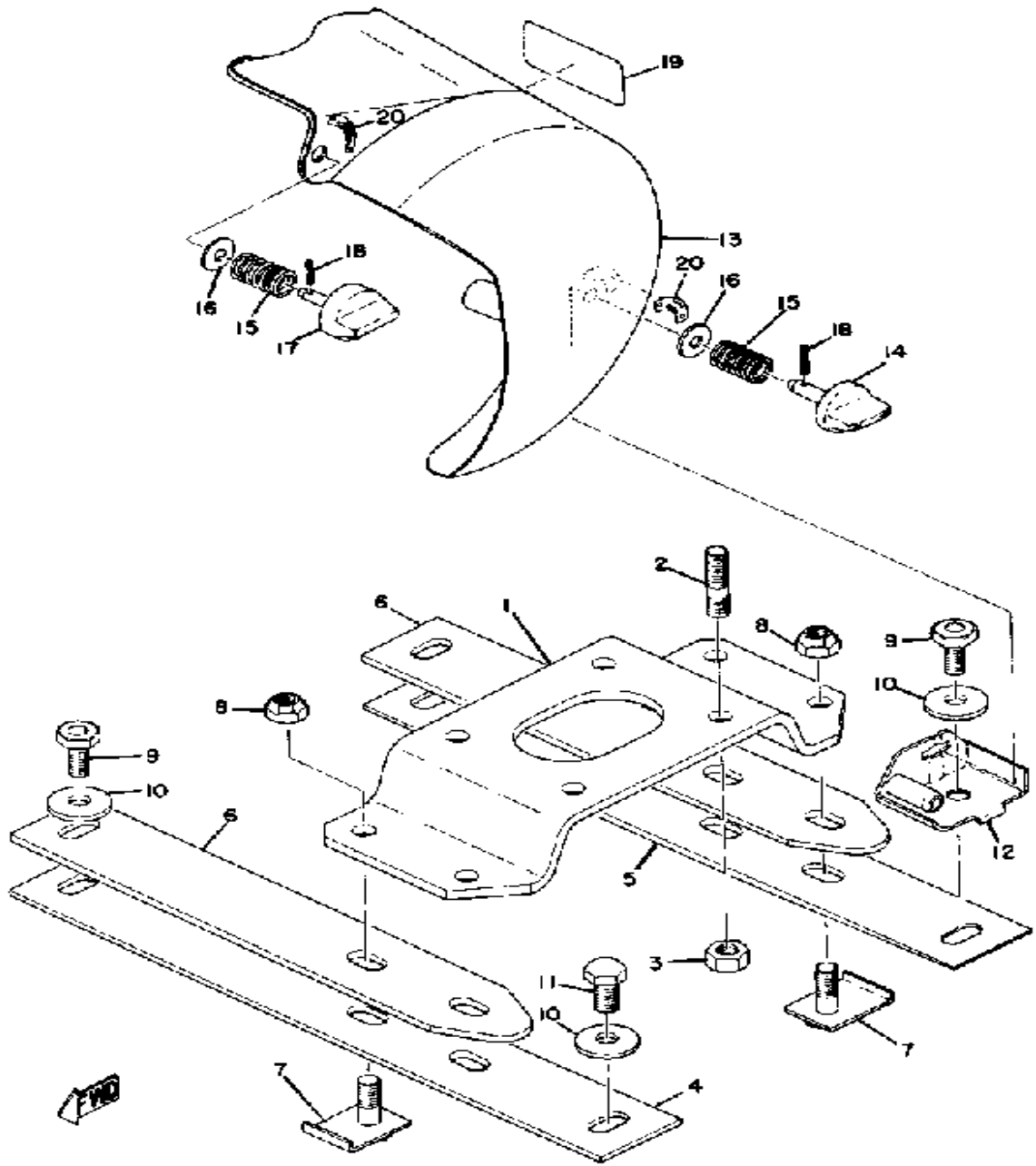
# SHROUD



Ref. No.	Part Number	Description	Qty	Remarks
1	(853-77111-00-00)	SHROUD .....	1	
2	(898-77163-00-00)	ORNAMENT 1 .....	1	
3	(898-77164-00-00)	ORNAMENT 2 .....	1	
4	(898-77356-00-00)	EMBLEM 6 .....	1	
5	(838-77357-00-00)	EMBLEM 7 .....	2	
6	(841-77136-00-00)	CLAMP 2 .....	1	
7	(841-77138-00-00)	CLAMP 4 .....	1	
8	(878-77171-00-00)	BODY, LATCH 1 .....	2	
9	95380-06600-00	NUT .....	2	
10	90267-40M00-00	RIVET, BLIND .....	8	
11	853-77131-00-00	LOUVER 1 .....	1	
12	838-77143-00-00	EMBLEM 3 .....	2	
13	90183-05003-00	NUT, SPRING .....	2	
14	(841-77140-00-00)	HINGEASSEMBLY .....	2	
15	(841-77147-00-00)	HINGE 3 .....	2	
16	90243-05003-00	PIN .....	2	
17	841-77199-00-00	DAMPER 2 .....	2	
18	(841-77198-00-00)	DAMPER 1 .....	2	
19	(841-77153-00-00)	PLATE, BACK UP 1 .....	1	
20	(841-77154-00-00)	PLATE, BACK UP 2 .....	1	
21	92995-06100-00	WASHER, SPRING .....	6	
22	95380-06600-00	NUT .....	6	
23	8E4-77118-00-00	STOPPER, SHROUD .....	1	
24	838-77159-00-00	CLAMP, ROD .....	1	
25	(898-77210-00-00)	WINDSHIELD .....	1	
26	(898-77220-00-00)	TRIM LOWER ASSEMBLY .....	1	
27	90201-05036-00	WASHER, PLATE .....	5	
28	95601-05100-00	NUT, U .....	6	

Property of [www.SmallEngineDiscount.com](http://www.SmallEngineDiscount.com) - Not for Resale

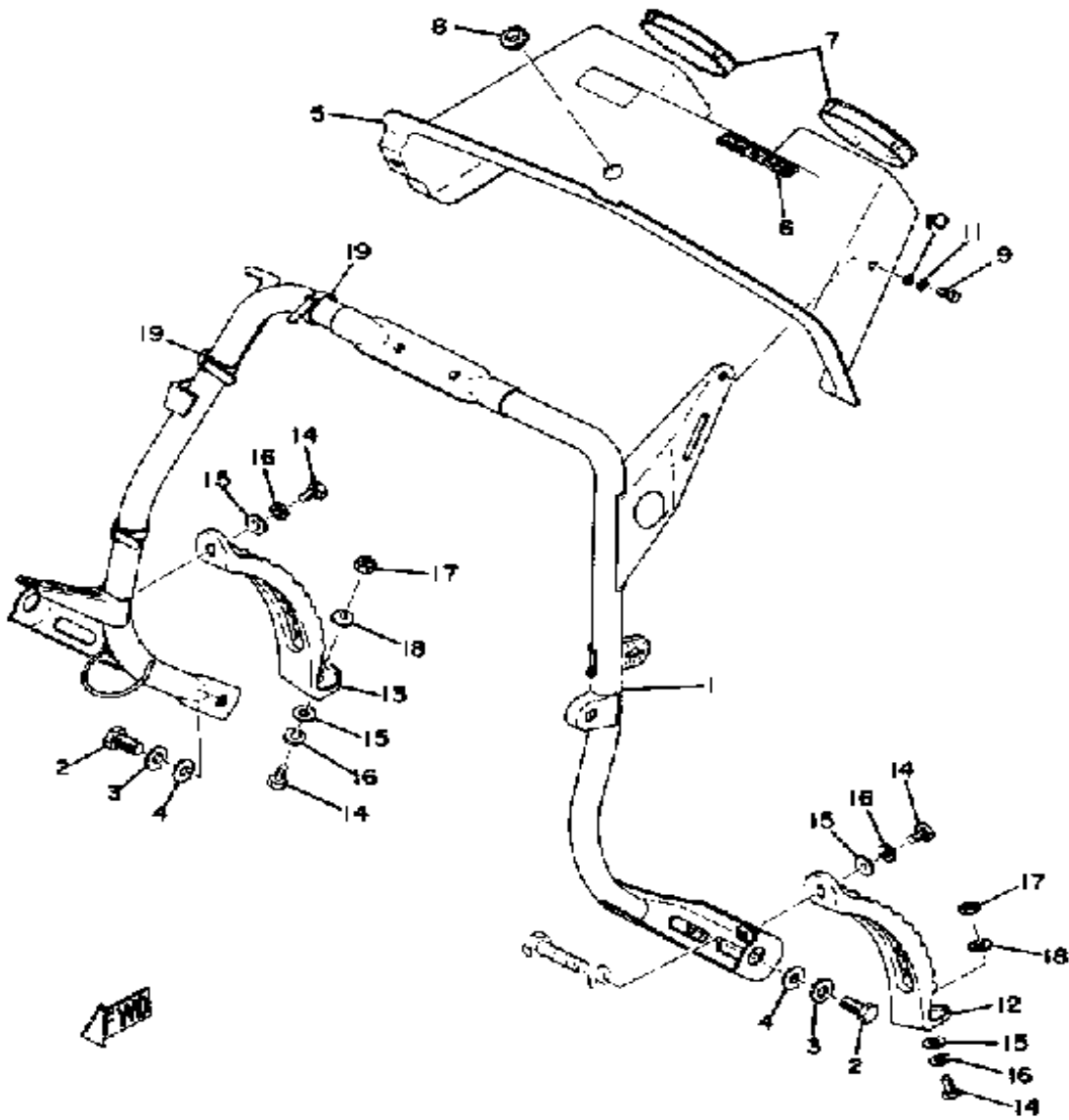
# ENGINE BRACKET



Ref. No.	Part Number	Description	Qty	Remarks
1	(839-21411-01-00)	BRACKET, ENGINE 1	1	
2	(90116-10084-00)	BOLT, STUD	4	
3	90185-10030-00	NUT, SELF-LOCKING	4	
4	(839-21419-01-00)	BRACKET, ENGINE 2	1	
5	839-21429-01-00	BRACKET, ENGINE 3	1	
6	(839-21489-00-00)	BRACKET, ENG LOWER	2	
7	(839-21482-00-00)	BOLT, ENG MNTNG 2	4	
8	90185-10030-00	NUT, SELF-LOCKING	4	
9	90101-10056-00	BOLT (823-21481-00)	3	
10	90208-10013-00	WASHER, CONICAL SPR	4	
11	(90106-10015-00)	BOLT, DOME HEAD	1	
12	844-77315-00-00	BRACKET 1	1	
13	(844-77311-00-00)	GUARD, DRIVE	1	
14	(829-77324-00-00)	KNOB	1	
15	90501-16103-00	SPRING, COMPRESSION	2	
16	90201-08104-00	WASHER, PLATE	2	
17	844-77324-00-00	KNOB	1	
18	91609-40018-00	PIN, SPRING	2	
19	(829-77365-00-00)	EMBLEM 0	1	
20	(829-77367-00-00)	EMBLEM 2	2	

Property of [www.SmallEngineDiscount.com](http://www.SmallEngineDiscount.com) - Not for Resale

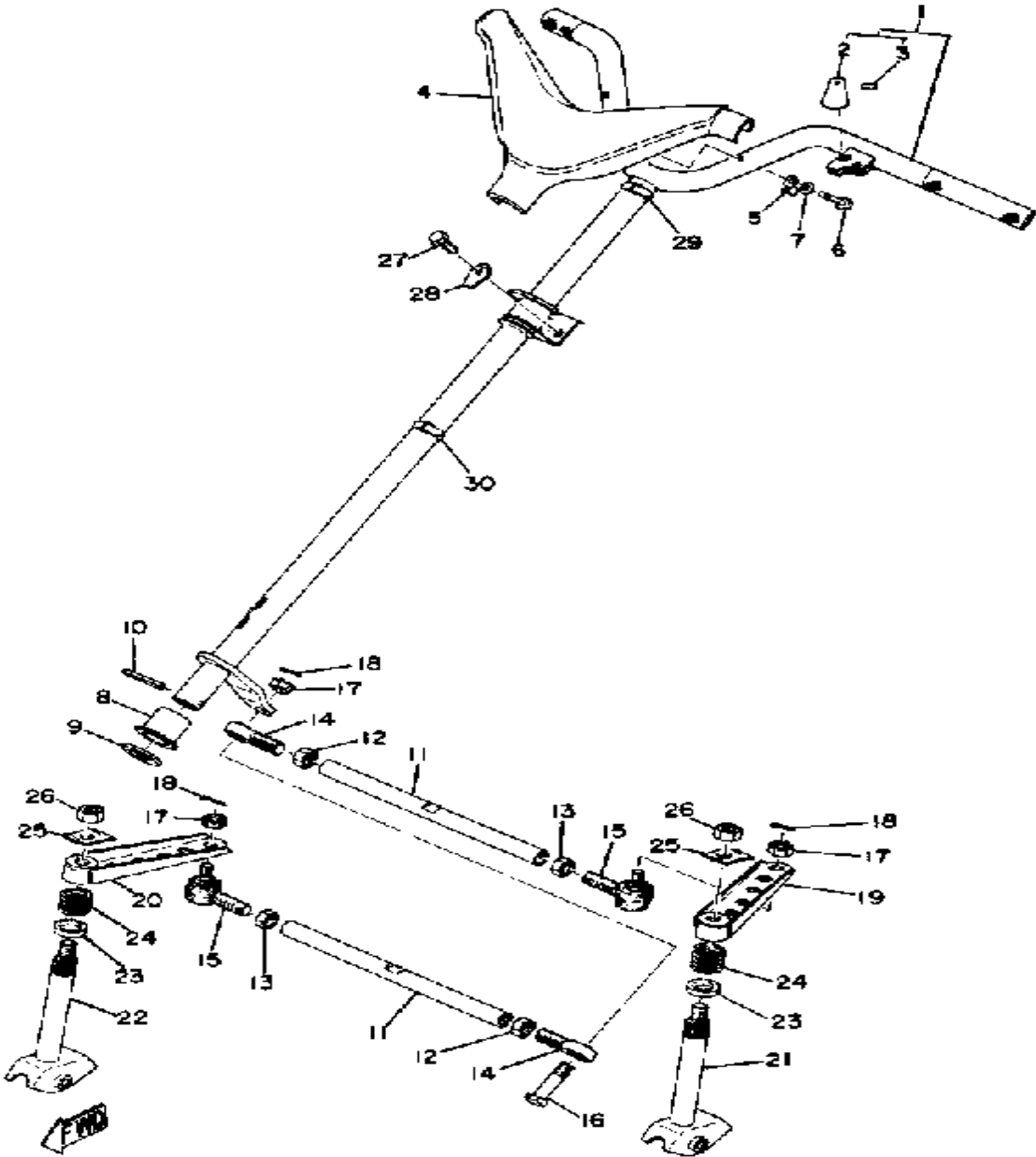
# STEERING GATE



Ref. No.	Part Number	Description	Qty	Remarks
1	(867-23870-01-00)	STEERING GATE .....	1	
2	97306-08018-00	BOLT, HEXAGON (97206-08018)	2	
3	90201-08624-00	WASHER, PLATE .....	2	
4	(861-23895-00-00)	WASHER, LOCK 2 .....	2	
5	898-77711-00-00	PANEL, INSTRUMENT .....	1	
6	888-77744-00-00	INDICATOR 4 .....	1	
7	(861-77715-00-00)	ORMNT, INSTR PNL 1 .....	2	
8	90480-13018-00	GROMMET .....	1	
9	(97306-05012-00)	BOLT, HEXAGON .....	2	
10	92906-05600-00	WASHER, PLATE .....	2	
11	92906-05100-00	WASHER, SPRING .....	2	
12	(841-27411-00-00)	FOOTREST 1 .....	1	
13	(841-27421-00-00)	FOOTREST 2 .....	1	
14	97313-06016-00	BOLT, HEXAGON .....	4	
15	92901-06600-00	WASHER .....	6	
16	92995-06100-00	WASHER, SPRING .....	4	
17	95380-06600-00	NUT .....	2	
18	92901-06600-00	WASHER .....	2	
19	437-83936-11-00	BAND, SWITCH CORD .....	3	

Property of [www.SmallEngineDiscount.com](http://www.SmallEngineDiscount.com) - Not for Resale

# STEERING



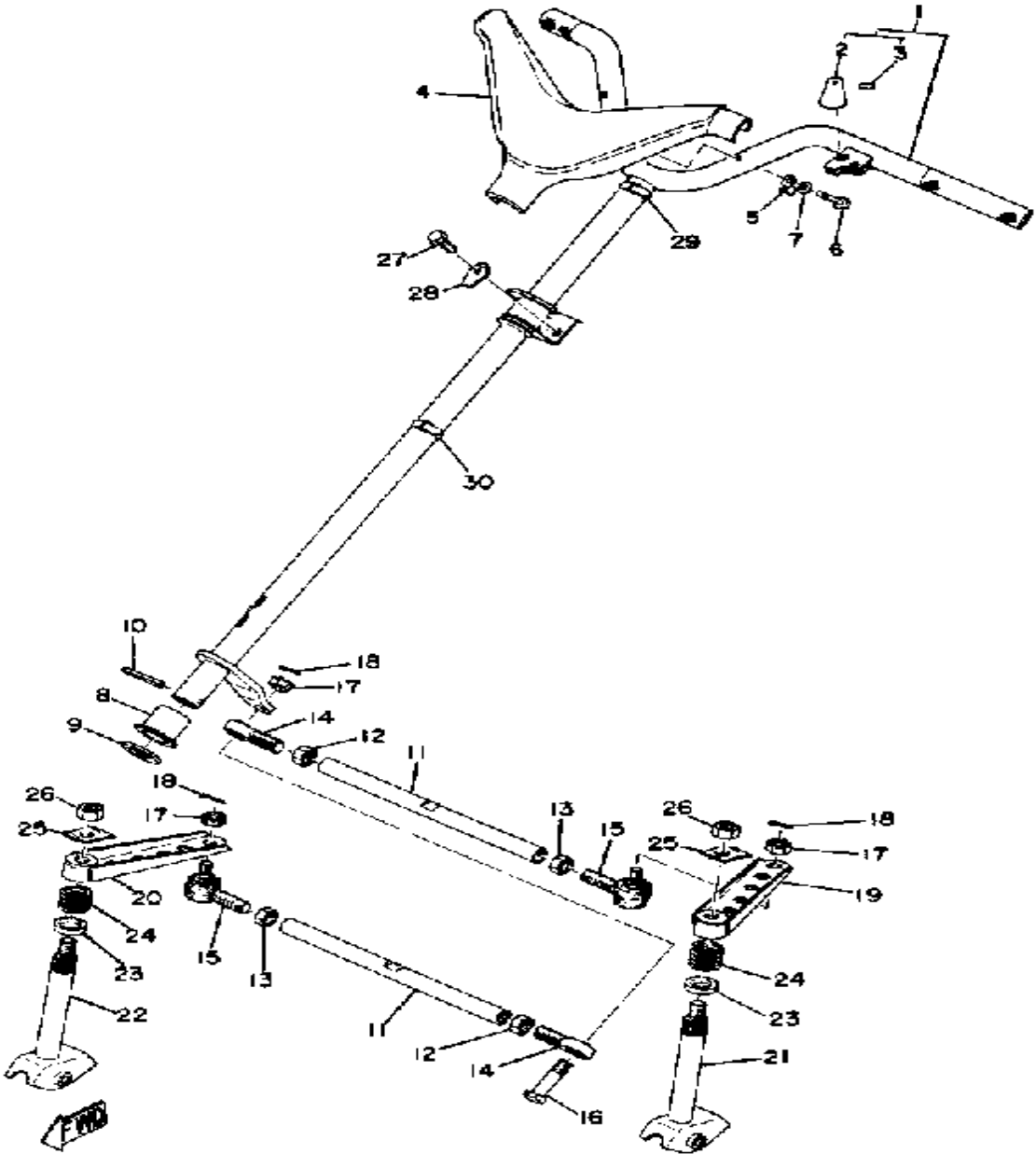
Ref. No.	Part Number	Description	Qty	Remarks
1	867-23810-00-00	STRG COLUMN ASSEMBLY ..	1	
2	(803-83965-00-00)	LEVER, LOCK .....	1	
3	(90249-04022-00)	PIN, SPEC'L SHAPE .....	1	
4	(863-23815-01-00)	PAD, STEERING .....	1	
5	(90462-08003-00)	CLAMP .....	2	
6	98501-05035-00	SCREW, PAN HEAD .....	2	
7	92990-05100-00	WASHER, SPRING .....	2	
8	(853-23875-00-00)	BEARING, STRG LOWER .....	1	
9	(841-23812-01-00)	BEARING, STEERING .....	1	
10	91609-60045-00	PIN, SPRING .....	1	
11	(826-23821-00-00)	ROD, STEERING RELAY .....	2	
12	90170-12055-00	NUT .....	2	
13	90170-12054-00	NUT .....	2	
14	861-23841-00-00	JOINT, UNIVERSAL 1 .....	2	
15	(821-23845-90-00)	JOINT, UNIVERSAL 2 .....	2	
16	(90109-10408-00)	BOLT .....	1	
17	95303-10900-00	NUT, SLOTTED .....	3	
18	91401-25020-00	PIN, COTTER .....	3	
19	(841-23851-01-00)	ARM, OUTSIDE 1 .....	1	
20	841-23852-01-00	ARM, OUTSIDE 2 .....	1	
21	853-23853-01-00	COLUMN, SKI 1 .....	1	
22	853-23854-01-00	COLUMN, SKI 2 .....	1	
23	90560-20037-00	SPACER .....	2	
24	90501-35154-00	SPRING, COMPRESSION .....	2	
25	90215-12037-00	WASHER, LOCK .....	2	
26	95303-12600-00	NUT .....	2	
27	97011-06020-00	BOLT .....	2	
28	(90215-06038-00)	WASHER, LOCK .....	2	
29	437-83936-11-00	BAND, SWITCH CORD .....	1	

CONTINUED ON NEXT FRAME ➤

Property of [www.SmallEngineDiscount.com](http://www.SmallEngineDiscount.com) - Not for Resale

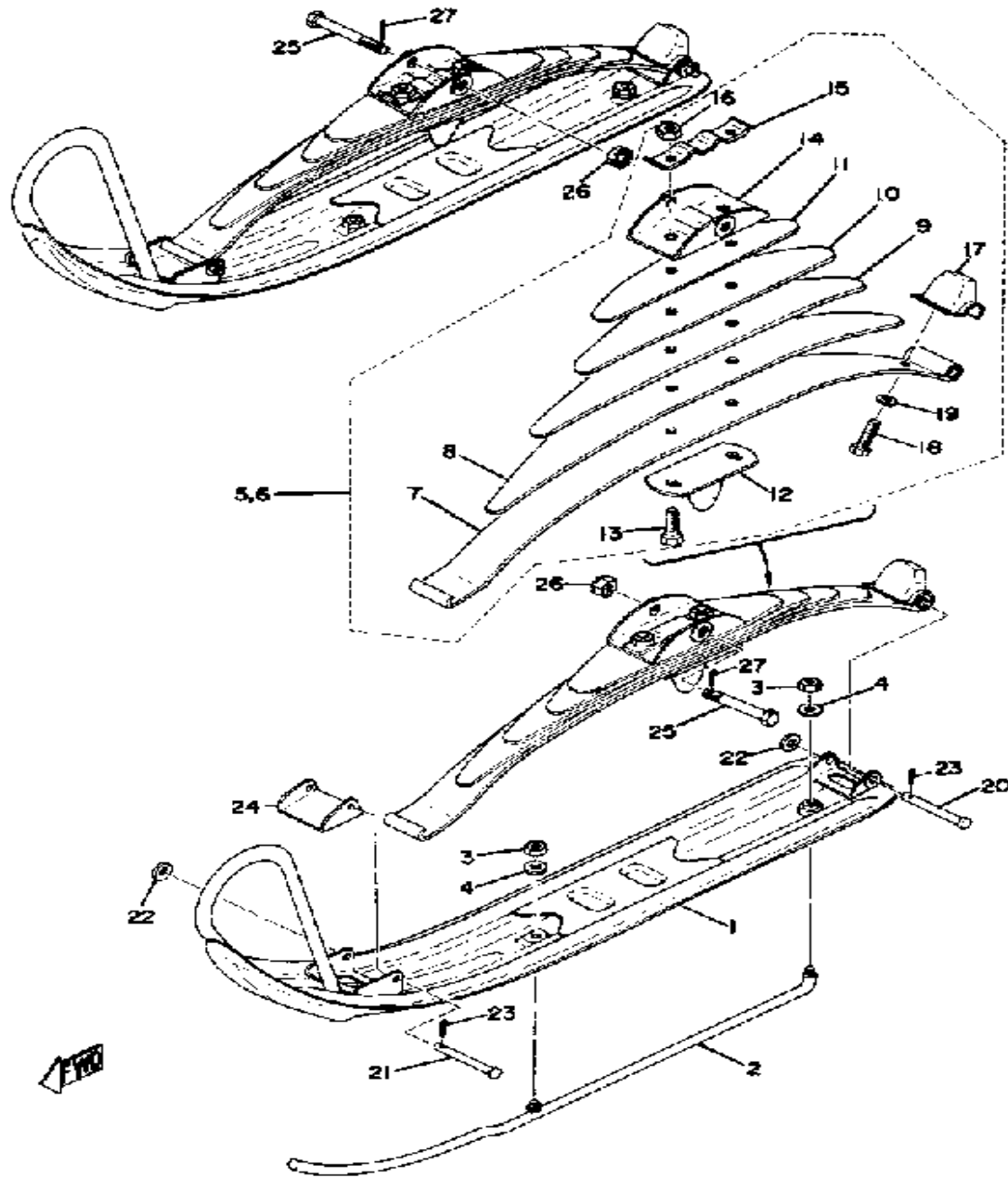
# STEERING

Ref. No.	Part Number	Description	Qty	Remarks
30	25G-83936-01-00	BAND, SWITCH CORD .....	1	



Property of [www.SmallEngineDiscount.com](http://www.SmallEngineDiscount.com) - Not for Resale

# SKI

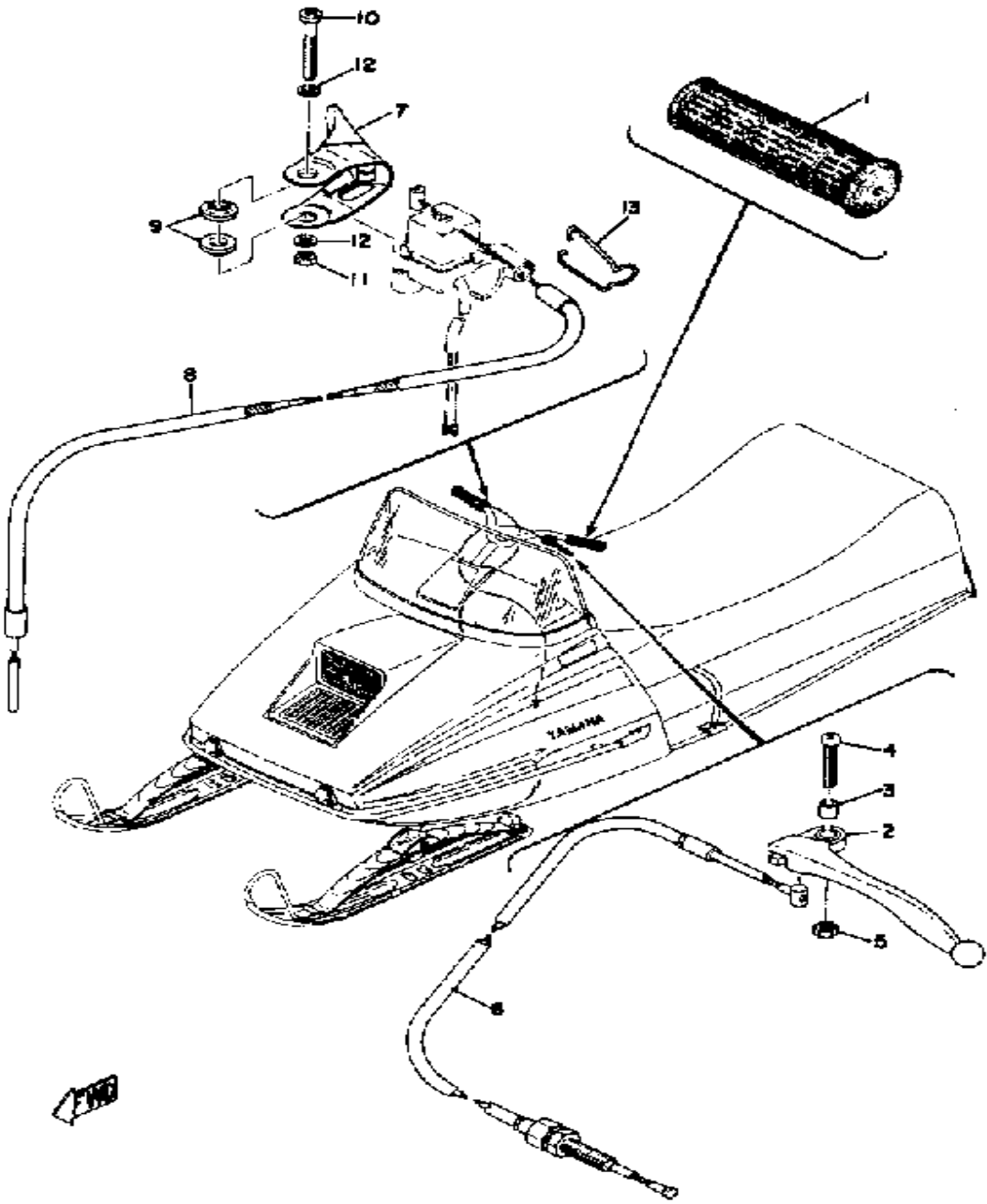


Ref. No.	Part Number	Description	Qty	Remarks
1	898-23710-00-00	SKI 1	2	
2	853-23731-00-XX	SKI RUNNER, (SV80)	2	
3	95611-08100-00	NUT, U	4	
4	92901-08600-00	WASHER	4	
5	881-23760-01-00	SPRING ASSEMBLY 1	1	
6	(881-23770-01-00)	SPRING ASSEMBLY 2	1	
7	(865-23761-00-00)	LEAF 1	2	
8	865-23762-00-00	. LEAF 2	2	
9	865-23763-00-00	. LEAF 3	2	
10	(865-23764-00-00)	LEAF 4	2	
11	865-23771-00-00	. LEAF 5	2	
12	878-23768-00-00	. SEAT, SPRING 1	2	
13	90101-10060-00	. BOLT	4	
14	806-23766-00-00	. SADDLE 1	2	
15	90215-10155-00	. WASHER, LOCK	2	
16	95701-10500-00	. NUT, FLANGE (95702-10500)	4	
17	(841-23743-02-00)	STOPPER 1	2	
18	90101-06576-00	. BOLT	2	
19	92995-06100-00	. WASHER, SPRING	2	
20	90240-08018-00	PIN, CLEVIS	2	
21	90240-08019-00	PIN, CLEVIS	2	
22	92906-08600-00	WASHER	4	
23	91401-30020-00	PIN, COTTER	4	
24	853-23735-00-00	PLATE, WEAR 1	2	
25	90102-10023-00	BOLT, WITH HOLE	2	
26	95306-10900-00	NUT, SLOTTED	2	
27	91401-25020-00	PIN, COTTER	2	

Property of [www.SmallEngineDiscount.com](http://www.SmallEngineDiscount.com) - Not for Resale



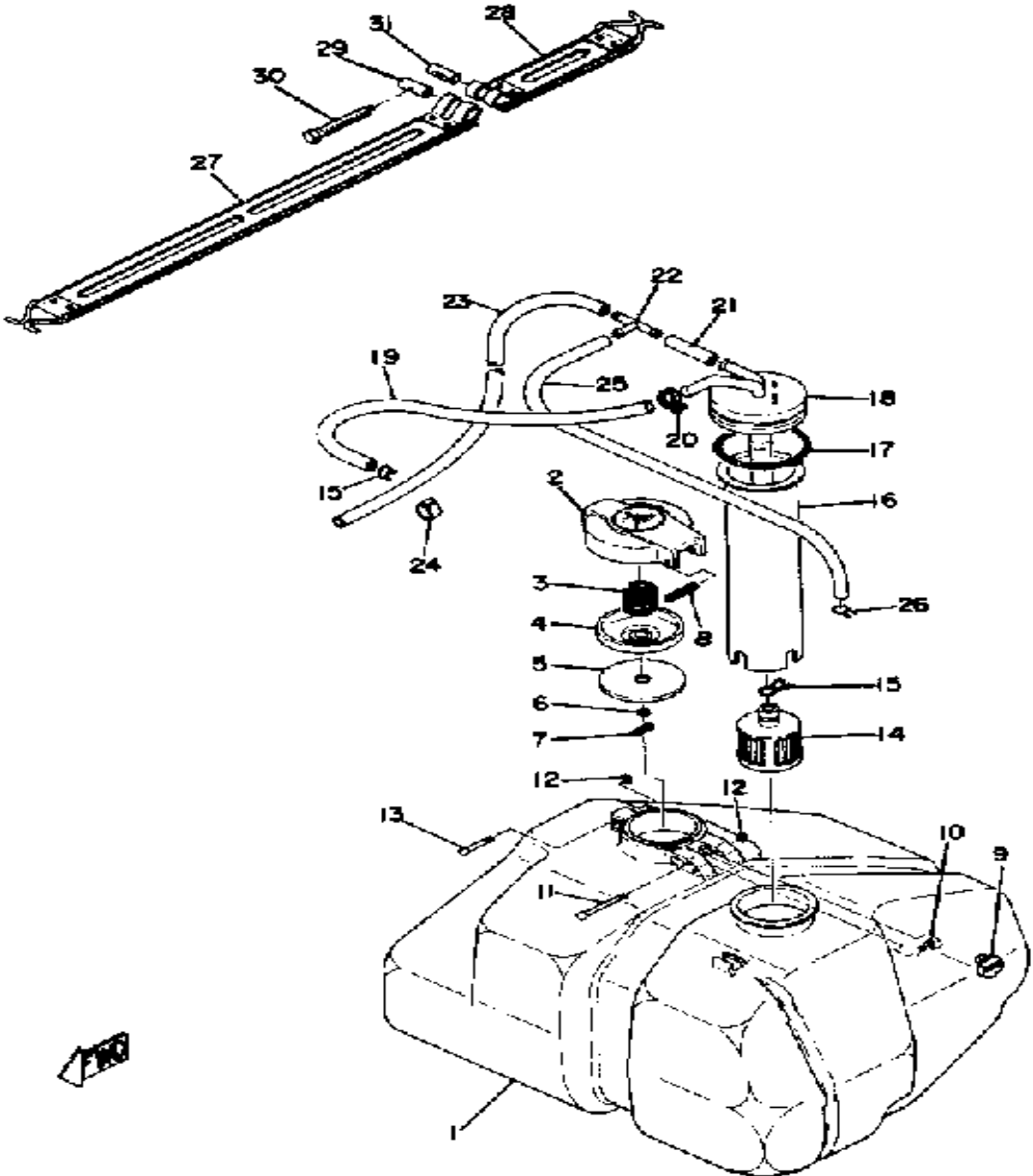
# GRIP WIRING



Ref. No.	Part Number	Description	Qty	Remarks
1	801-26241-01-00	GRIP .....	2	
2	803-83912-00-38	LEVER 1 .....	1	
3	802-83913-00-00	COLLAR, LEVER 1 .....	1	
4	(849-83915-00-00)	SCREW, LVR FITTING .....	1	
5	95601-05100-00	NUT, U .....	1	
6	861-26340-02-00	CABLE, BRAKE .....	1	
7	8G8-42138-00-00	. LEVER, THROTTLE .....	1	
	90387-06681-00	. COLLAR .....	2	
	98580-06550-00	. SCREW PAN HEAD (92503-06050) .....	1	
	99999-01028-00	THROTTLE LEVER .....	1	
8	863-26311-03-00	CABLE THROTTLE 1 .....	1	
9	90387-062M9-00	COLLAR .....	2	
10	90157-06004-00	SCREW, PAN HEAD (810-83925-00) .....	1	
11	95601-06100-00	NUT, U .....	1	
12	92901-06600-00	WASHER .....	2	
13	90468-10017-00	CLIP (821-26391-00) .....	1	

Property of [www.SmallEngineDiscount.com](http://www.SmallEngineDiscount.com) - Not for Resale

# FUEL TANK



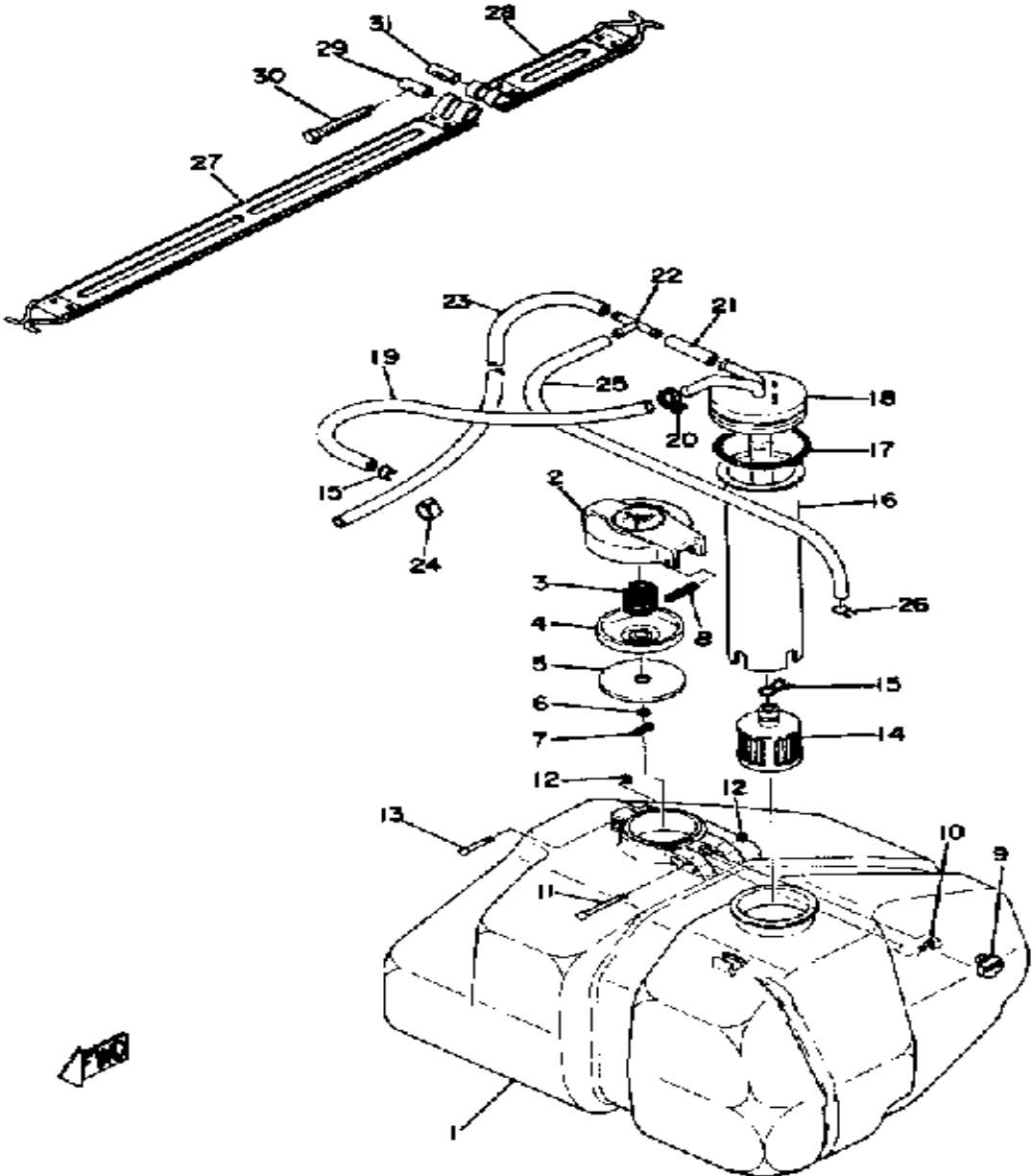
Ref. No.	Part Number	Description	Qty	Remarks
1	(897-24111-00-00)	FUEL TANK .....	1	
2	813-24611-01-00	BODY, CAP .....	1	
3	90501-20130-00	SPRING, COMPRESSION .....	1	
4	813-24613-01-00	DISC, CAP .....	1	
5	256-24612-00-00	GASKET, CAP .....	1	
6	93210-04122-00	O-RING .....	1	
7	91609-30016-00	PIN, SPRING .....	1	
8	91609-25032-00	PIN, SPRING .....	1	
9	83M-24628-00-00	HOOK .....	1	
10	90508-08003-00	SPRING, TORSION (813-24637-00) .....	1	
11	90249-03017-00	PIN .....	1	
12	93430-02001-00	CIRCLIP .....	2	
13	90249-03016-00	PIN, SPEC'L SHAPE .....	1	
14	8H5-24560-00-00	FILTER ASSEMBLY .....	1	
15	90467-11009-00	CLIP .....	2	
16	(829-24336-00-00)	PIPE, SUCTION 2 .....	1	
17	90506-06065-00	SPRING, TENSION .....	1	
18	853-24335-00-00	PIPE, SUCTION 1 .....	1	
19	(90446-11026-00)	HOSE .....	1	
20	90460-11002-00	CLAMP, HOSE .....	1	
21	90446-09052-00	HOSE .....	1	
22	867-24461-00-00	PIPE, JOINT .....	1	
23	90446-09016-00	HOSE .....	1	
24	90468-15020-00	CLIP .....	2	
25	90446-09053-00	HOSE .....	1	
26	90460-09001-00	CLAMP, HOSE .....	1	
27	(883-24173-00-00)	BAND, TNK FITTING 1 .....	1	
28	(883-24199-00-00)	BAND, TNK FITTING 2 .....	1	

CONTINUED ON NEXT FRAME ►

Property of [www.SmallEngineDiscount.com](http://www.SmallEngineDiscount.com) - Not for Resale

C10

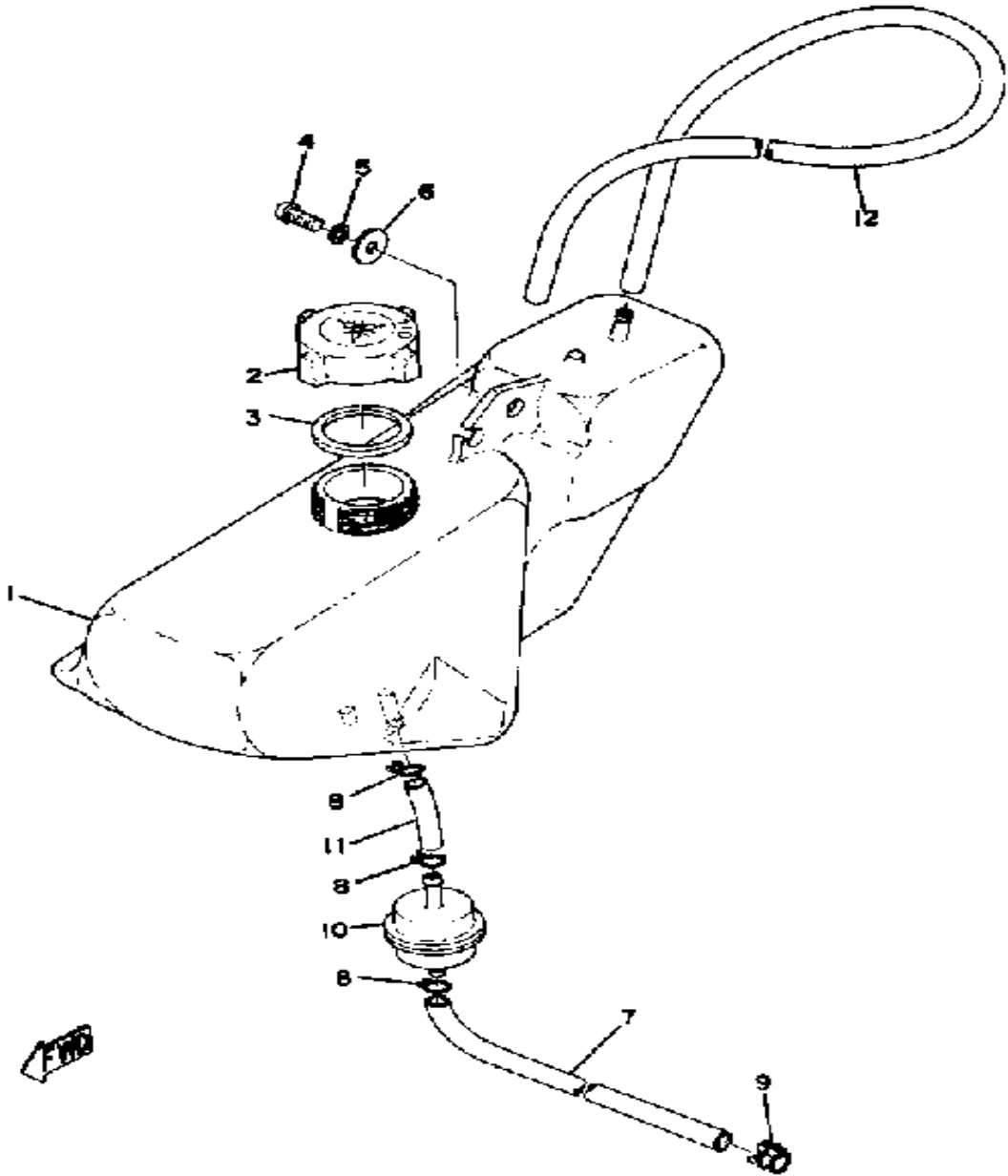
# FUEL TANK



Ref. No.	Part Number	Description	Qty	Remarks
29	806-24135-00-00	CLAMP 1 .....	1	
30	90149-05006-00	SCREW, SPEC'L SHAPE (821-24176-00) .....	1	
31	90179-05030-00	NUT, SPEC'L SHAPE (806-24146-00) .....	1	

Property of [www.SmallEngineDiscount.com](http://www.SmallEngineDiscount.com) - Not for Resale

# OIL TANK

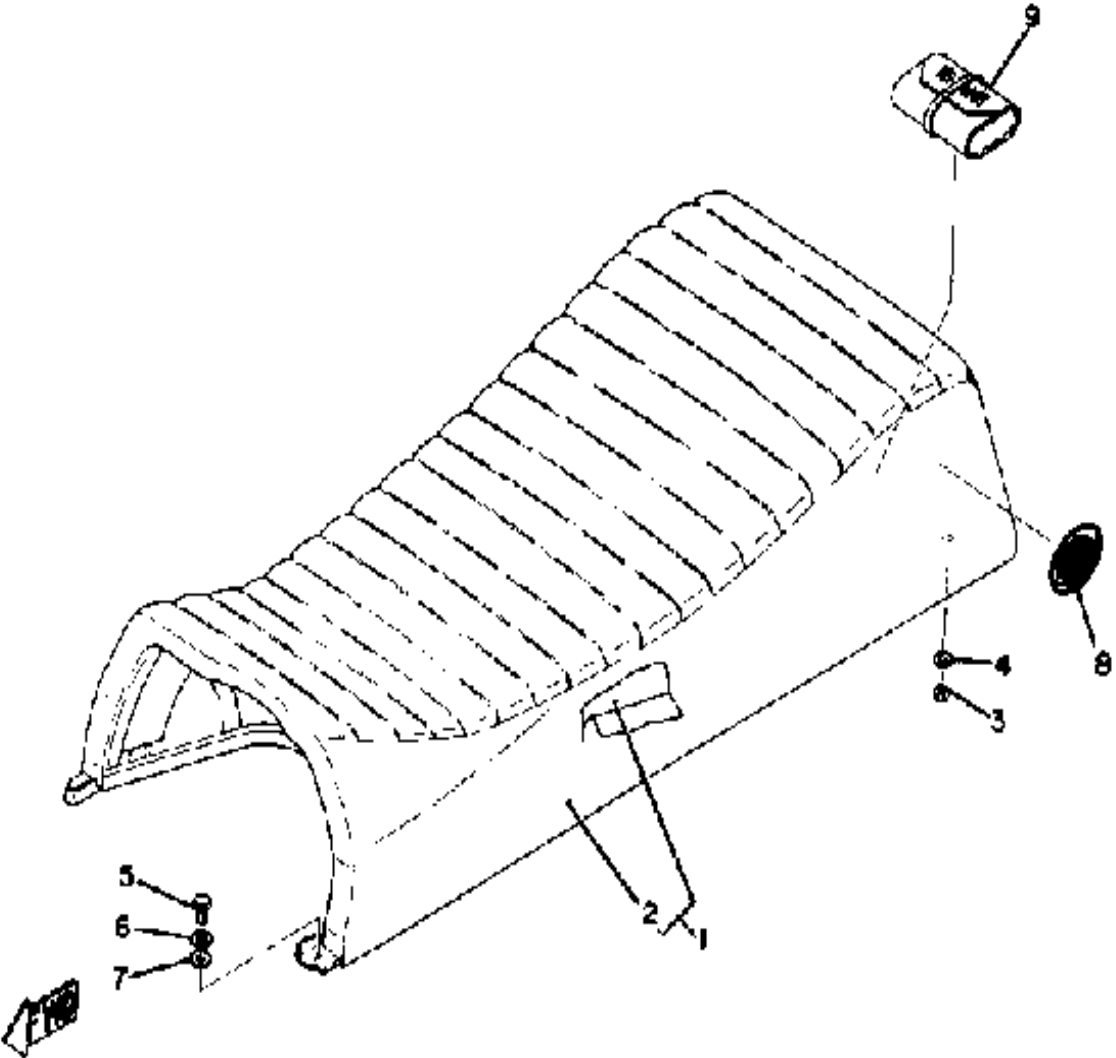


Ref. No.	Part Number	Description	Qty	Remarks
1	867-21751-00-00	TANK, OIL .....	1	
2	863-21771-00-00	BODY, CAP .....	1	
3	90430-31003-00	GASKET .....	1	
4	98580-05016-00	SCREW, PAN HEAD .....	1	
5	92990-05100-00	WASHER, SPRING .....	1	
6	90201-05036-00	WASHER, PLATE .....	1	
7	90446-09014-00	HOSE .....	2	
8	90467-09005-00	CLIP, SCISSOR .....	3	
9	90460-09001-00	CLAMP, HOSE .....	1	
10	J10-13410-00-00	STRAINER HSNG ASSEMBLY .	1	
11	90446-09052-00	HOSE .....	1	
12	90446-09059-00	HOSE .....	1	

Property of [www.SmallEngineDiscount.com](http://www.SmallEngineDiscount.com) - Not for Resale

C12

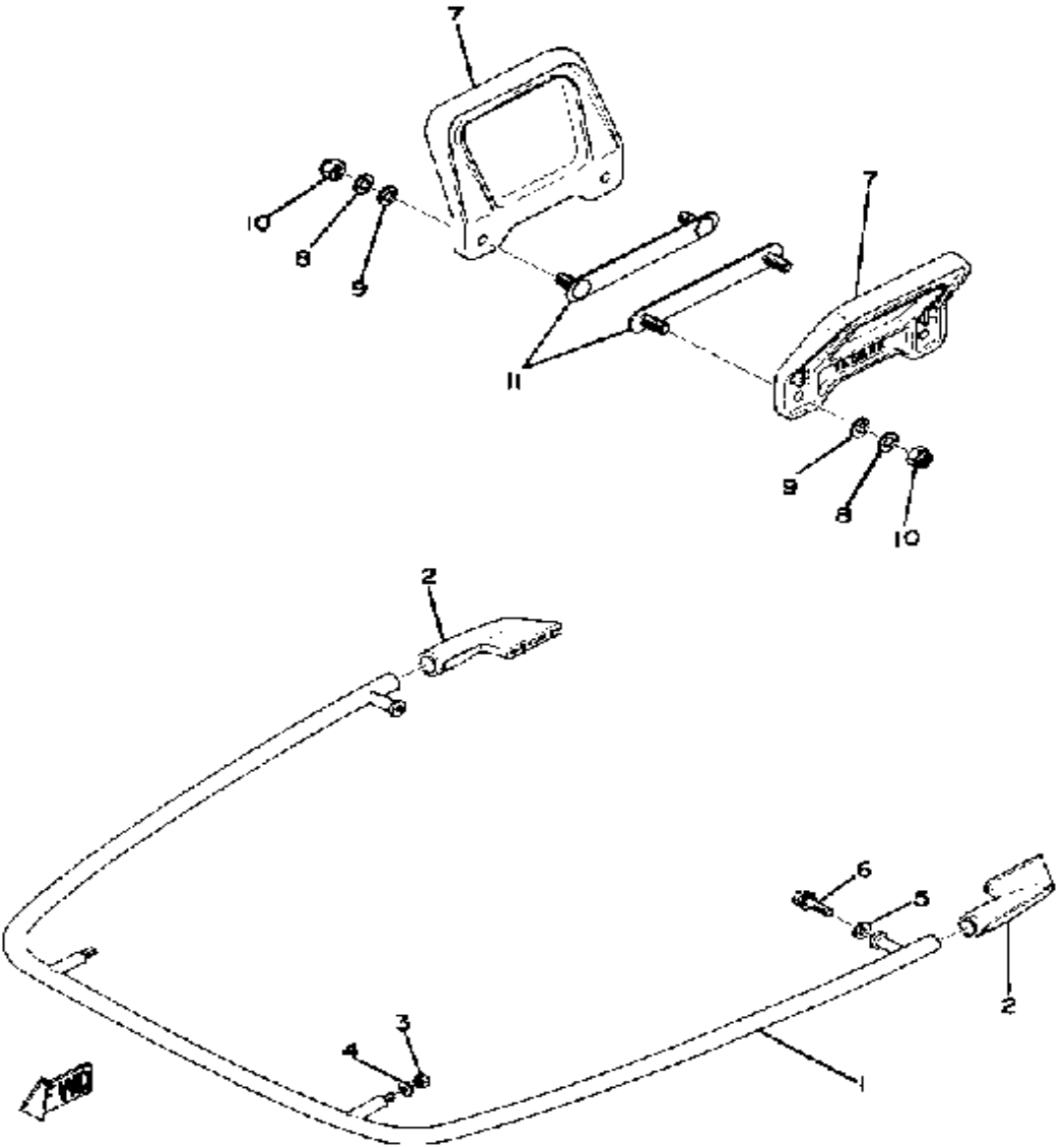
# SEAT



Ref. No.	Part Number	Description	Qty	Remarks
1	(898-24730-00-00)	DOUBLE SEAT ASSEMBLY ...	1	
2	(867-24731-00-00)	COVER, DOUBLE SEAT .....	1	
3	95611-08100-00	NUT, U .....	2	
4	92901-08600-00	WASHER .....	2	
5	97026-06012-00	BOLT .....	2	
6	92906-06100-00	WASHER, SPRING .....	2	
7	90201-06059-00	WASHER, PLATE .....	2	
8	821-77352-00-00	EMBLEM 2 .....	2	
9	(898-28100-10-00)	TOOL KIT .....	1	

Property of [www.SmallEngineDiscount.com](http://www.SmallEngineDiscount.com) - Not for Resale

# BUMPER

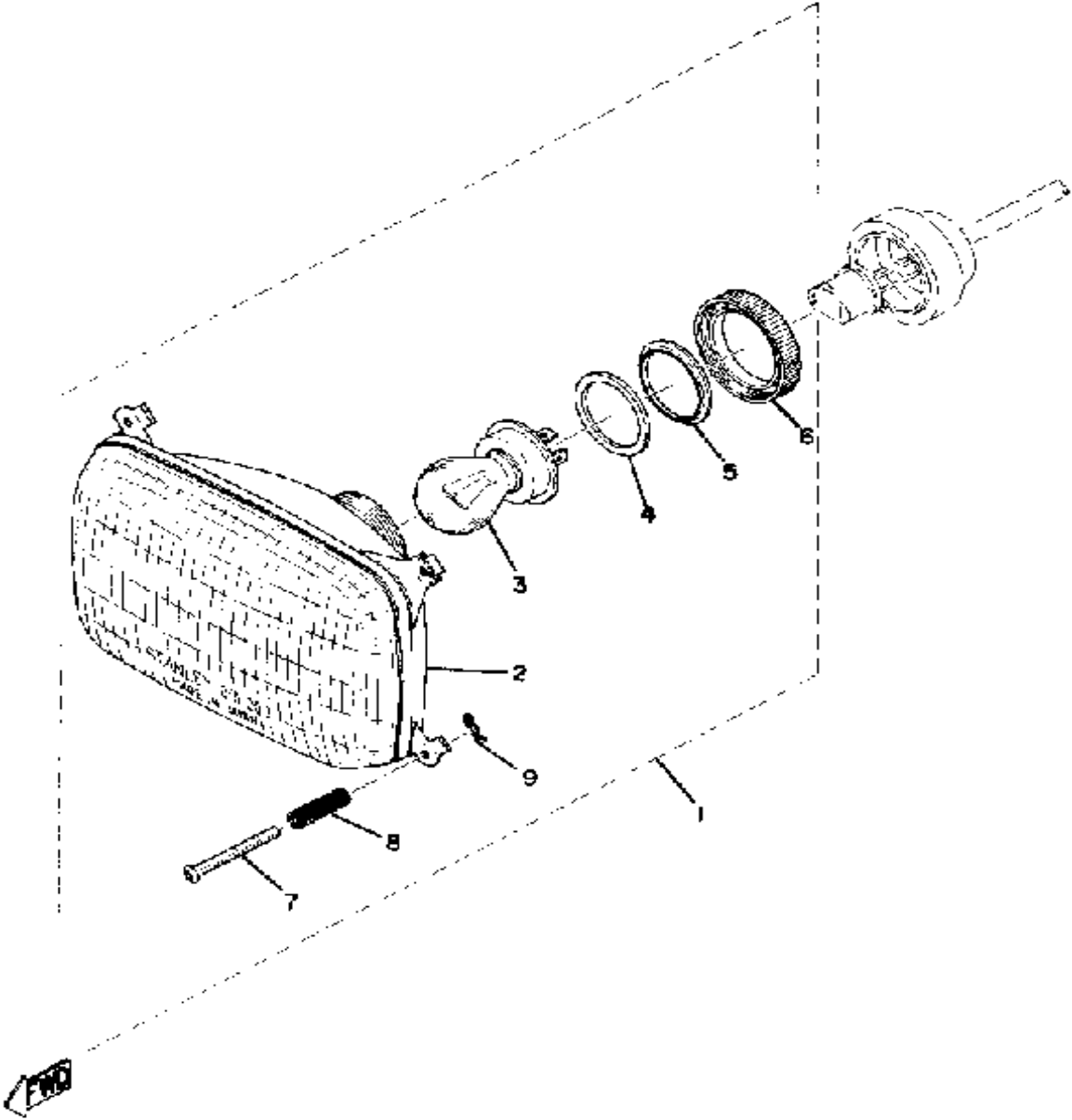


Ref. No.	Part Number	Description	Qty	Remarks
1	853-77510-00-00	FRONT BUMPER .....	1	
2	838-77523-00-00	END, BUMPER .....	2	
3	95333-08600-00	NUT .....	2	
4	92990-08100-00	WASHER .....	2	
5	(90201-08456-00)	WASHER, PLATE .....	2	
6	97306-08040-00	BOLT, HEXAGON .....	2	
7	FJ0-63771-30-00	GRIP, ASSIST .....	2	
8	92990-08100-00	WASHER .....	4	
9	90201-08107-00	WASHER, PLATE .....	4	
10	95303-08800-00	NUT (CROWN) (95301-08800) .	4	
11	898-77576-00-00	BRKT, ASSIST GRIP .....	2	

Property of [www.SmallEngineDiscount.com](http://www.SmallEngineDiscount.com) - Not for Resale



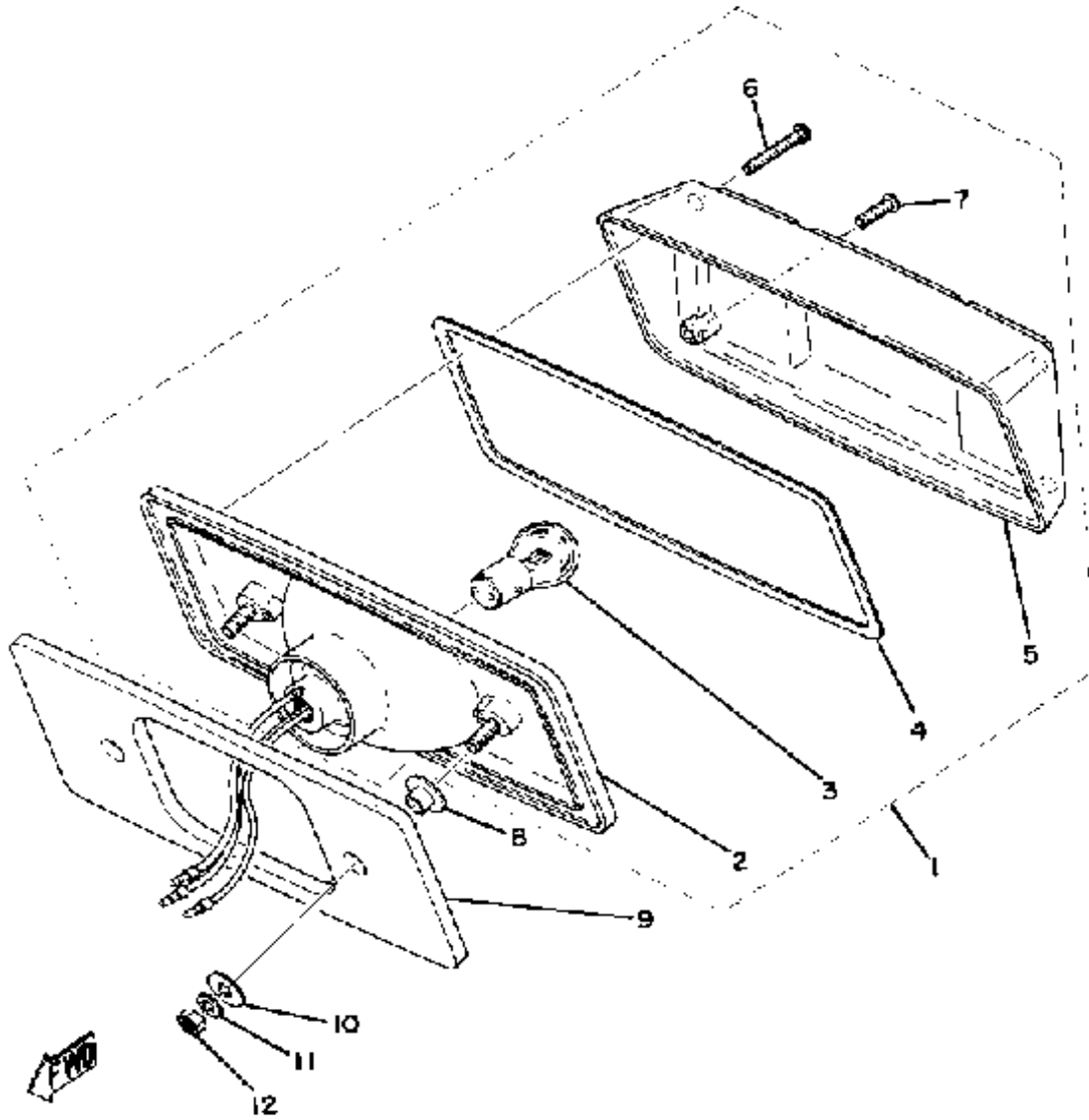
# HEAD LAMP



Ref. No.	Part Number	Description	Qty	Remarks
1	(853-84310-00-00)	HEADLIGHT UNIT ASSEMBLY .	1	
2	(838-84320-01-00)	LENS ASSEMBLY .....	1	
3	838-84314-00-00	. BULB, HEADLIGHT .....	1	
4	838-84327-00-00	. WASHER, SPECIAL .....	1	
5	838-84328-00-00	. SPACER .....	1	
6	838-84317-00-00	. NUT .....	1	
7	(853-84331-00-00)	SCREW, RIM ADJUSTING ....	4	
8	(853-84332-00-00)	SPRING, SCREW .....	4	
9	(807-84351-00-00)	CLAMP, CORD .....	4	

Property of [www.SmallEngineDiscount.com](http://www.SmallEngineDiscount.com) - Not for Resale

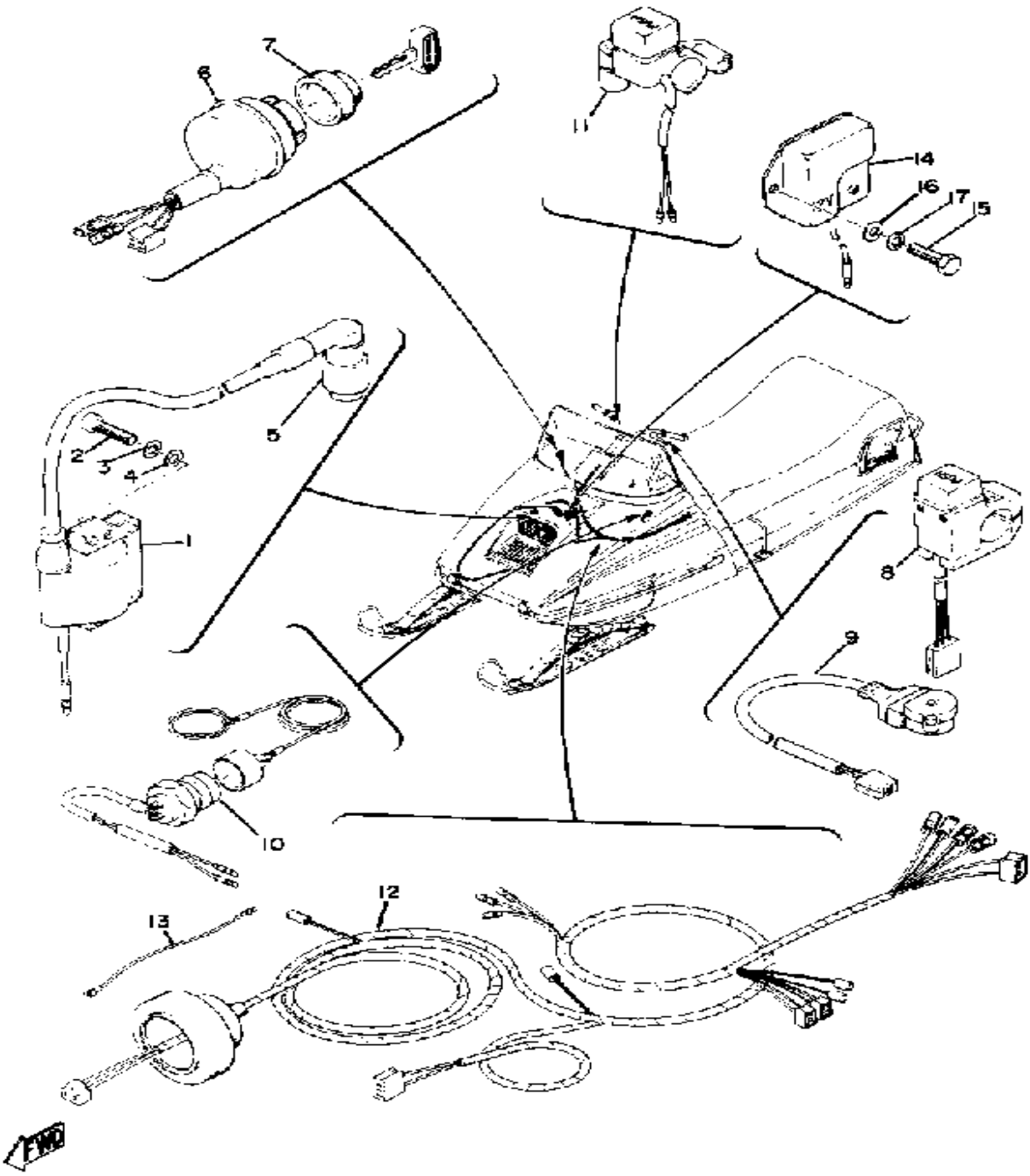
# TAIL LAMP



Ref. No.	Part Number	Description	Qty	Remarks
1	853-84710-00-00	TAILLIGHT UNIT ASSEMBLY ..	1	
2	853-84710-00-00	. TAILLIGHT UNIT ASSEMBLY .	1	
3	137-84714-61-00	. BULB, TL 12V23/8W (J50-83311-00) .....	1	
4	821-84712-00-00	. SEAT, BASE .....	1	
5	821-84721-00-00	. LENS, TAILLIGHT .....	1	
6	98511-04030-00	. SCREW, PAN HEAD .....	2	
7	98503-04014-00	. SCREW, PAN HEAD .....	2	
8	90387-06024-00	COLLAR .....	2	
9	878-84753-00-00	DAMPER .....	1	
10	90201-06057-00	WASHER, PLATE .....	2	
11	92995-06100-00	WASHER, SPRING .....	2	
12	95380-06600-00	NUT .....	2	

Property of [www.SmallEngineDiscount.com](http://www.SmallEngineDiscount.com) - Not for Resale

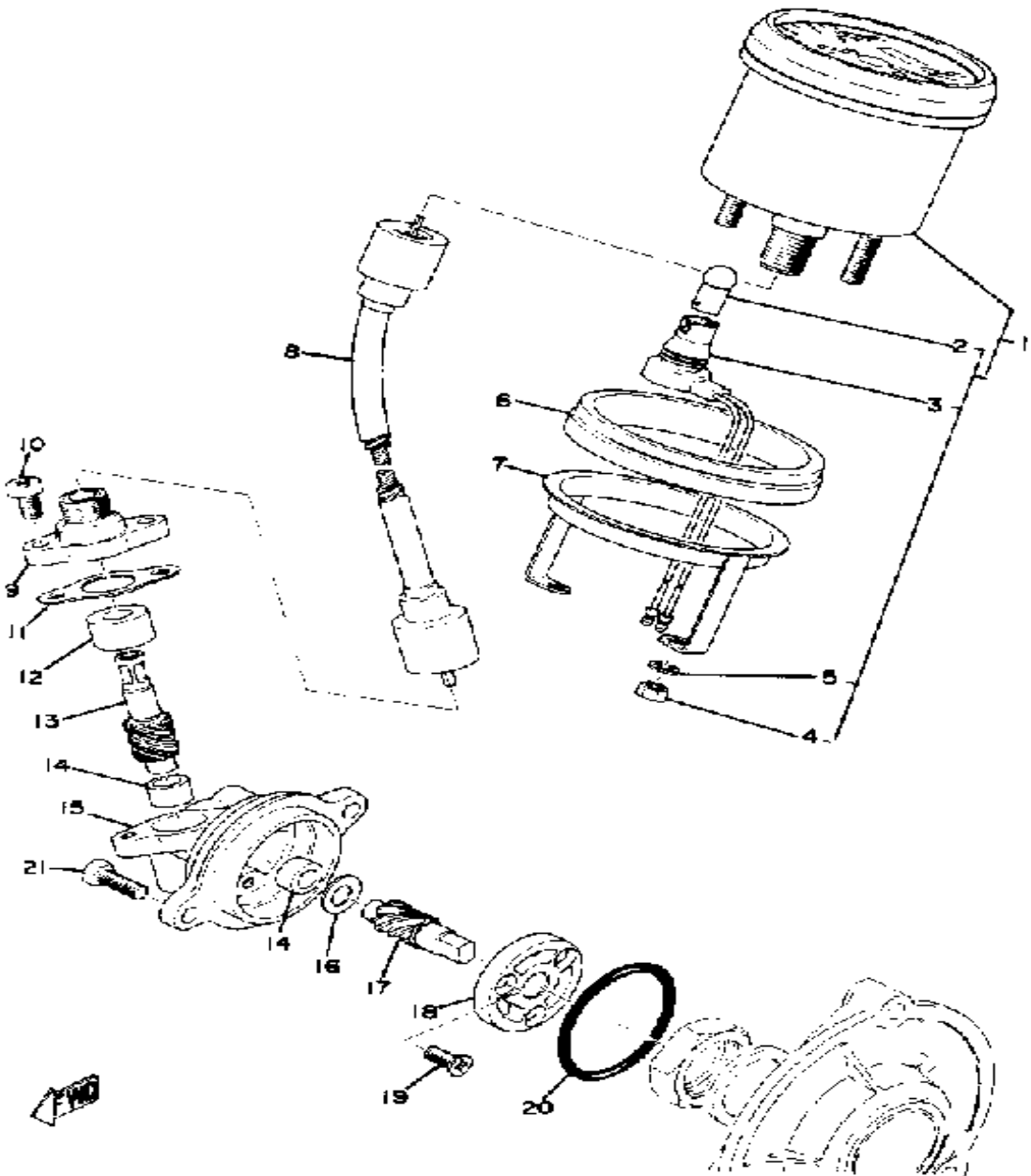
# ELECTRICAL



Ref. No.	Part Number	Description	Qty	Remarks
1	860-82310-40-00	IGNITION COIL ASSEMBLY ...	1	
2	98506-06025-00	SCREW, PAN HEAD .....	2	
3	92906-06100-00	WASHER, SPRING .....	2	
4	92906-06600-00	WASHER .....	1	
5	899-82370-20-00	PLUG CAP ASSEMBLY .....	1	
6	898-82509-20-00	UNAVAILABLE IN PRICE BOOK	1	
7	806-82516-00-00	COLLAR, MAIN SWITCH .....	1	
8	861-83950-01-00	BEAM SWITCH ASSEMBLY ...	1	
9	822-82530-00-00	STOP SWITCH ASSEMBLY ...	1	
10	8J7-82550-01-00	STOP SWITCH ASSEMBLY ...	1	
11	883-83976-00-00	SWITCH, HANDLE 1 .....	1	
12	(898-82590-21-00)	WIRE HARNESS ASSEMBLY ..	1	
13	(838-82519-00-00)	WIRE, EARTH LEAD .....	1	
14	82F-81910-A0-00	VOLTAGE REGULATOR ASSEMBLY .....	1	
15	97013-06012-00	BOLT .....	2	
16	92901-06600-00	WASHER .....	2	
17	92995-06100-00	WASHER, SPRING .....	2	

Property of [www.SmallEngineDiscount.com](http://www.SmallEngineDiscount.com) - Not for Resale

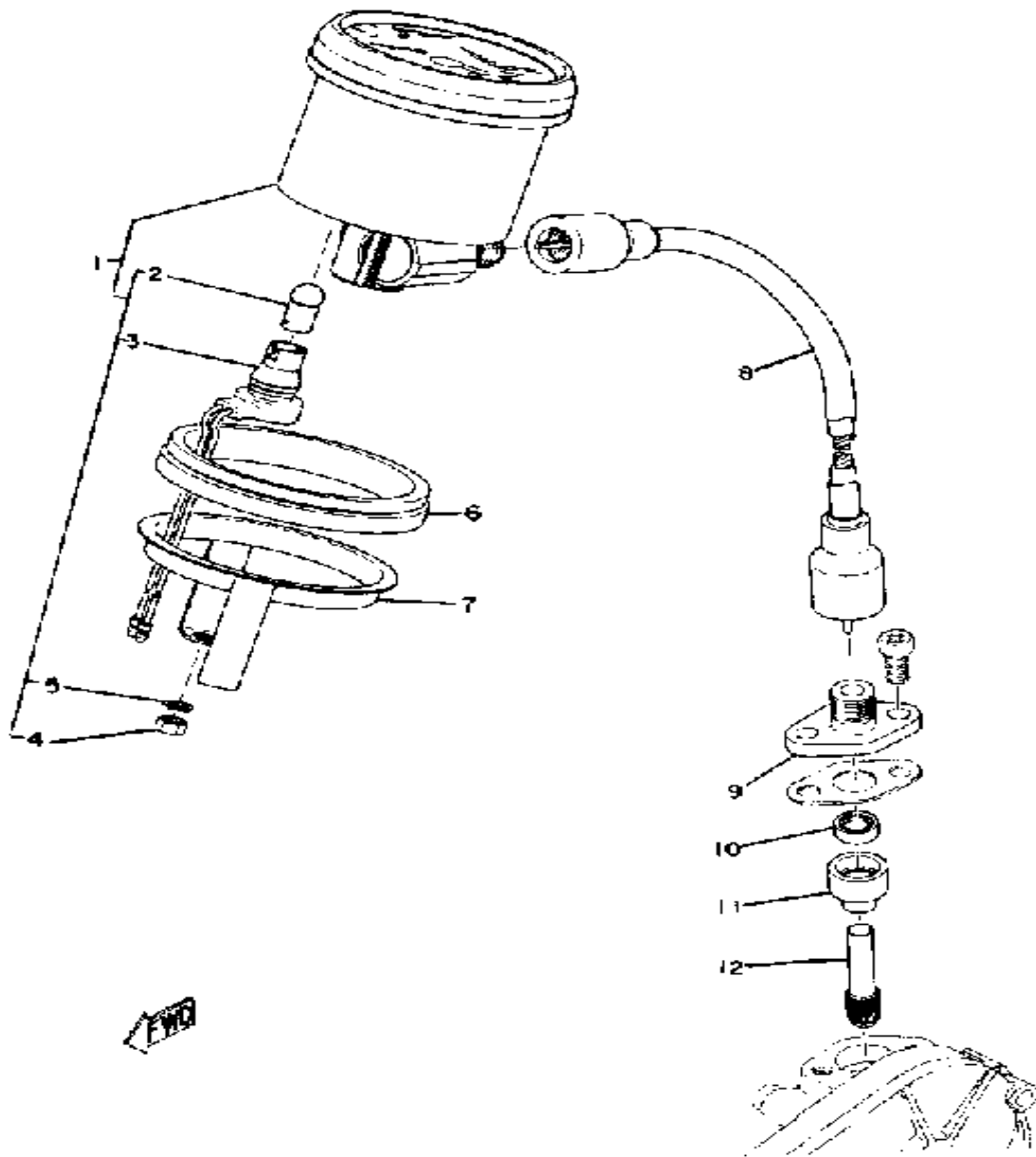
# SPEEDOMETER UNIT



Ref. No.	Part Number	Description	Qty	Remarks
1	(863-83510-41-00)	SPEEDOMETER ASSEMBLY ..	1	MPH
2	123-83516-21-00	. BULB (12V-3.4W) .....	1	
3	(861-83536-40-00)	SOCKET, METER .....	1	
4	95380-05600-00	. NUT .....	2	
5	92990-05100-00	. WASHER, SPRING .....	2	
6	861-83523-40-00	DAMPER .....	1	
7	861-83514-40-00	PLATE, FITTING .....	1	
8	839-83550-01-00	SPEEDOMETER CABLE .....	1	
9	(810-47721-10-00)	COVER, HOUSING .....	1	
	8E3-47721-10-00	COVER, HOUSING .....	1	
10	98580-05012-00	SCREW, PAN HEAD .....	2	
11	810-47727-10-00	GASKET .....	1	
12	90380-08005-00	BUSH, SOLID .....	1	
13	810-47741-11-00	GEAR, DRIVEN (810-47741-10)	1	
14	(90380-08002-00)	BUSH, SOLID .....	2	
15	8E6-47711-10-00	HOUSING .....	1	
16	810-47717-10-00	SHIM .....	1	
17	810-47731-11-00	GEAR, DRIVE .....	1	
18	853-47712-10-00	JOURNAL .....	1	
19	98701-04012-00	SCREW, FLAT HEAD .....	3	
20	93210-43141-00	O-RING .....	1	
21	97313-06016-00	BOLT, HEXAGON .....	2	

Property of [www.SmallEngineDiscount.com](http://www.SmallEngineDiscount.com) - Not for Resale

# TACHOMETER UNIT



Ref. No.	Part Number	Description	Qty	Remarks
1	(ACC-01200-42-74)	TACHOMETER KIT .....	1	
2	123-83516-21-00	. BULB (12V-3.4W) .....	1	
3	(861-83536-40-00)	SOCKET, METER .....	1	
4	95380-05600-00	. NUT .....	2	
5	92990-05100-00	. WASHER, SPRING .....	2	
6	861-83523-40-00	DAMPER .....	1	
7	861-83514-40-00	PLATE, FITTING .....	1	
8	839-83560-00-00	TACHOMETER CABLE .....	1	
9	821-17819-00-00	CAP, HOUSING .....	1	
10	93104-06033-00	OIL SEAL .....	1	
11	821-17843-00-00	BUSH, DRIVEN GEAR OUTER .	1	
12	813-17841-00-00	GEAR, DRIVEN (10T) .....	1	

Property of [www.SmallEngineDiscount.com](http://www.SmallEngineDiscount.com) - Not for Resale

# GS300

SNOWMOBILE  
S5-008

## 1976 SERVICE DATA

MODEL – IBM I.D. NUMBER	GS300	898
Starting Engine and Frame Number	Y292-053101	898-053101
<b>ENGINE</b> (type) (induction system)	2-stroke, Single, Forced Air-cooled	
Bore x Stroke x Cylinders      Displacement	73 x 70mm x 1	292cc (17.82 CID)
Compression Ratio/Compression Pressure	6.6:1	8.2kg/cm <sup>2</sup> (117psi)
Piston Skirt Clearance (new/max)	.045~.050mm (.0018~.0020")/0.1mm (.004")	
Ring End Gap (top/2nd)	0.3~0.5mm(.012~.020")/0.3~0.5mm(.012~.020")	
Ring Groove Clearance (top/2nd)	.03~.07mm(.0012~.0028")/.03~.07mm(.0012~.0028")	
<b>CARBURETOR</b> (mfr) (type) (I.D. number)	Keihin	CD34-30      86700
Quantity/Venturi size (measured) (effective)	1 / 31.6mm / 30mm	
Fuel Inlet Valve (size)/Fuel Level	1.4mm / 0 ± 2 mm	
Slow Speed Screw Setting (turns out)	5/8	
Main Jet/Partial Jet/Slow Jet	Main Jet: No. 125 / φ / φ	
Idle Speed	1,100 rpm	
<b>AUTOLUBE</b> – Pump Color/Control Rod Adj.	Yellow	Full Throttle
Pump Plunger Stroke (min) (max)	0.20~0.25mm(.008~.010")/1.85~2.05mm(.073~.081")	
Output @ 200 strokes (full throttle/idle)	4.65 ~ 5.15cc / 0.50 ~ 0.63cc	
<b>DRIVE</b> (type)	V-belt, Automatic	
Primary Sheave Engagement RPM	2,600 ~ 2,800 rpm	
Belt Length/Width/Wear Limit/IBM number	1,101mm(43.35")/31.6mm(1.24")/26mm(1.02")/820	
Primary Ratio(s)	1:1 to 1:3.5	
Sheave Center to Center/Offset	270 ± 2mm(10.63 ± .079")/6 ± 0.5 mm(0.23 ± .02 )	
Primary Spring Color/Length/Rate	Pink / 72mm (2.83") / 1.42kg/mm	
Secondary Spring Pre-load/Part Number	150° (1st notch) / 90501-45204-00	
Secondary Drive Ratio/Chain Pitch-type/Freeplay	25/11 / No. 40, Single row / 10mm	
Track (width)/Tension	15" / 25mm (1") deflection w/22 lbs. pull	
<b>SLIDE SUSPENSION</b> – Stopper Band/Rear Spring	φ	
<b>CAPACITIES</b> – Chain Case (quantity) (type)	430cc (14.5oz.) SAE 10W/30 Oil	
Fuel Tank (quantity) (grade)	4.0 gal. Regular Gasoline	
Autolube Tank (quantity) (type)	2.4 qt. Yamalube 2-stroke	
Torque Converter (quantity) (type)	φ	
<b>ELECTRICAL</b> – Charging System (mfr) (type)	Mitsubishi	Flywheel Magneto
Lighting Output at Full Load	74W (Main circuit)	23W (Stoptlight circuit)
Headlight/Tailight/Instrument Ratings	12V60W/60W	12V8W      φ
Lighting Coil Resistance	(Yellow)	0.23 Ω ± 15%
Stoptlight Coil Resistance	(Green)	0.48 Ω ± 15%
Ignition Source Coil Resistance (charge coil)	1.75 Ω ± 10%	
Pulser Coil Resistance	φ	
Coil Resistance (primary) (secondary)	0.94 Ω ± 10%	5.6KΩ ± 20%
Breaker Point Gap	0.35 ± 0.05	
Spark Plug Type/Heat Range/Gap	NGK	BR-6ES      0.5 ~ 0.6mm
Timing (B.T.D.C.)*	2.3 ± 0.1mm B.T.D.C.	

N/A = Information Not Available

\*After setting statically, check with timing light.

φ = Does Not Apply To This Model

D-16

# GS300

SNOWMOBILE  
S5-008

## 1976 SERVICE DATA

MODEL – IBM I.D. NUMBER	GS300	898
Starting Engine and Frame Number	Y292-053101	898-053101
<b>ENGINE</b> (type) (induction system)	2-stroke, Single, Forced Air-cooled	
Bore x Stroke x Cylinders      Displacement	73 x 70mm x 1	292cc (17.82 CID)
Compression Ratio/Compression Pressure	6.6:1	8.2kg/cm <sup>2</sup> (117psi)
Piston Skirt Clearance (new/max)	.045~.050mm (.0018~.0020")/0.1mm (.004")	
Ring End Gap (top/2nd)	0.3~0.5mm(.012~.020")/0.3~0.5mm(.012~.020")	
Ring Groove Clearance (top/2nd)	.03~.07mm(.0012~.0028")/.03~.07mm(.0012~.0028")	
<b>CARBURETOR</b> (mfr) (type) (I.D. number)	Keihin	CD34-30      86700
Quantity/Venturi size (measured) (effective)	1 / 31.6mm / 30mm	
Fuel Inlet Valve (size)/Fuel Level	1.4mm / 0 ± 2 mm	
Slow Speed Screw Setting (turns out)	5/8	
Main Jet/Partial Jet/Slow Jet	Main Jet: No. 125 / φ / φ	
Idle Speed	1,100 rpm	
<b>AUTOLUBE</b> – Pump Color/Control Rod Adj.	Yellow	Full Throttle
Pump Plunger Stroke (min) (max)	0.20~0.25mm(.008~.010")/1.85~2.05mm(.073~.081")	
Output @ 200 strokes (full throttle/idle)	4.65 ~ 5.15cc / 0.50 ~ 0.63cc	
<b>DRIVE</b> (type)	V-belt, Automatic	
Primary Sheave Engagement RPM	2,600 ~ 2,800 rpm	
Belt Length/Width/Wear Limit/IBM number	1,101mm(43.35")/31.6mm(1.24")/26mm(1.02")/820	
Primary Ratio(s)	1:1 to 1:3.5	
Sheave Center to Center/Offset	270 ± 2mm(10.63 ± .079")/6 ± 0.5 mm(0.23 ± .02 )	
Primary Spring Color/Length/Rate	Pink / 72mm (2.83") / 1.42kg/mm	
Secondary Spring Pre-load/Part Number	150° (1st notch) / 90501-45204-00	
Secondary Drive Ratio/Chain Pitch-type/Freeplay	25/11 / No. 40, Single row / 10mm	
Track (width)/Tension	15" / 25mm (1") deflection w/22 lbs. pull	
<b>SLIDE SUSPENSION</b> – Stopper Band/Rear Spring	φ	
<b>CAPACITIES</b> – Chain Case (quantity) (type)	430cc (14.5oz.) SAE 10W/30 Oil	
Fuel Tank (quantity) (grade)	4.0 gal. Regular Gasoline	
Autolube Tank (quantity) (type)	2.4 qt. Yamalube 2-stroke	
Torque Converter (quantity) (type)	φ	
<b>ELECTRICAL</b> – Charging System (mfr) (type)	Mitsubishi	Flywheel Magneto
Lighting Output at Full Load	74W (Main circuit)	23W (Stoptlight circuit)
Headlight/Tailight/Instrument Ratings	12V60W/60W	12V8W      φ
Lighting Coil Resistance	(Yellow)	0.23 Ω ± 15%
Stoptlight Coil Resistance	(Green)	0.48 Ω ± 15%
Ignition Source Coil Resistance (charge coil)	1.75 Ω ± 10%	
Pulser Coil Resistance	φ	
Coil Resistance (primary) (secondary)	0.94 Ω ± 10%	5.6KΩ ± 20%
Breaker Point Gap	0.35 ± 0.05	
Spark Plug Type/Heat Range/Gap	NGK	BR-6ES      0.5 ~ 0.6mm
Timing (B.T.D.C.)*	2.3 ± 0.1mm B.T.D.C.	

N/A = Information Not Available

\*After setting statically, check with timing light.

φ = Does Not Apply To This Model

Property of www.SmallEngineDiscount.com - Not for Resale

K1