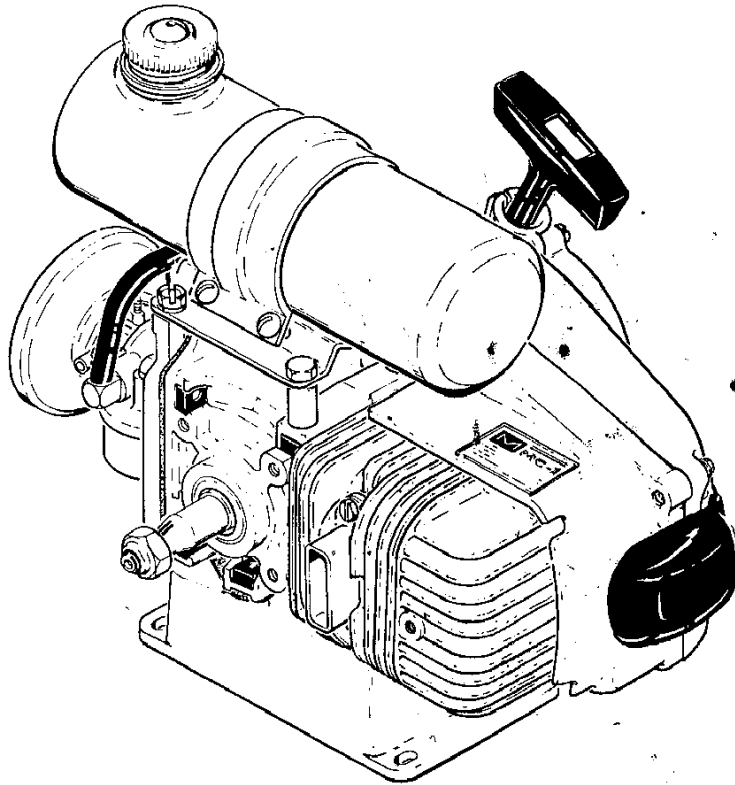


Kart Engine

MC-1

ILLUSTRATED PARTS LIST

DECEMBER 1961



The following pages contain an illustrated parts list for the MC-1 Kart Engine. Due to small differences between engines, it is important that the Serial Number of your Kart Engine be included whenever spare parts are ordered. This will assure receiving the proper parts from your dealer.

	Page
Figure 1. Engine Assembly	2
Figure 2. Starter and Crankcase Cover Assemblies	4
Figure 3. Powerhead Assembly	6
Figure 4. Carburetor and Manifold Assembly	8



McCULLOCH CORPORATION
 6101 West Century Boulevard, Los Angeles 45, California

48964

MC-1

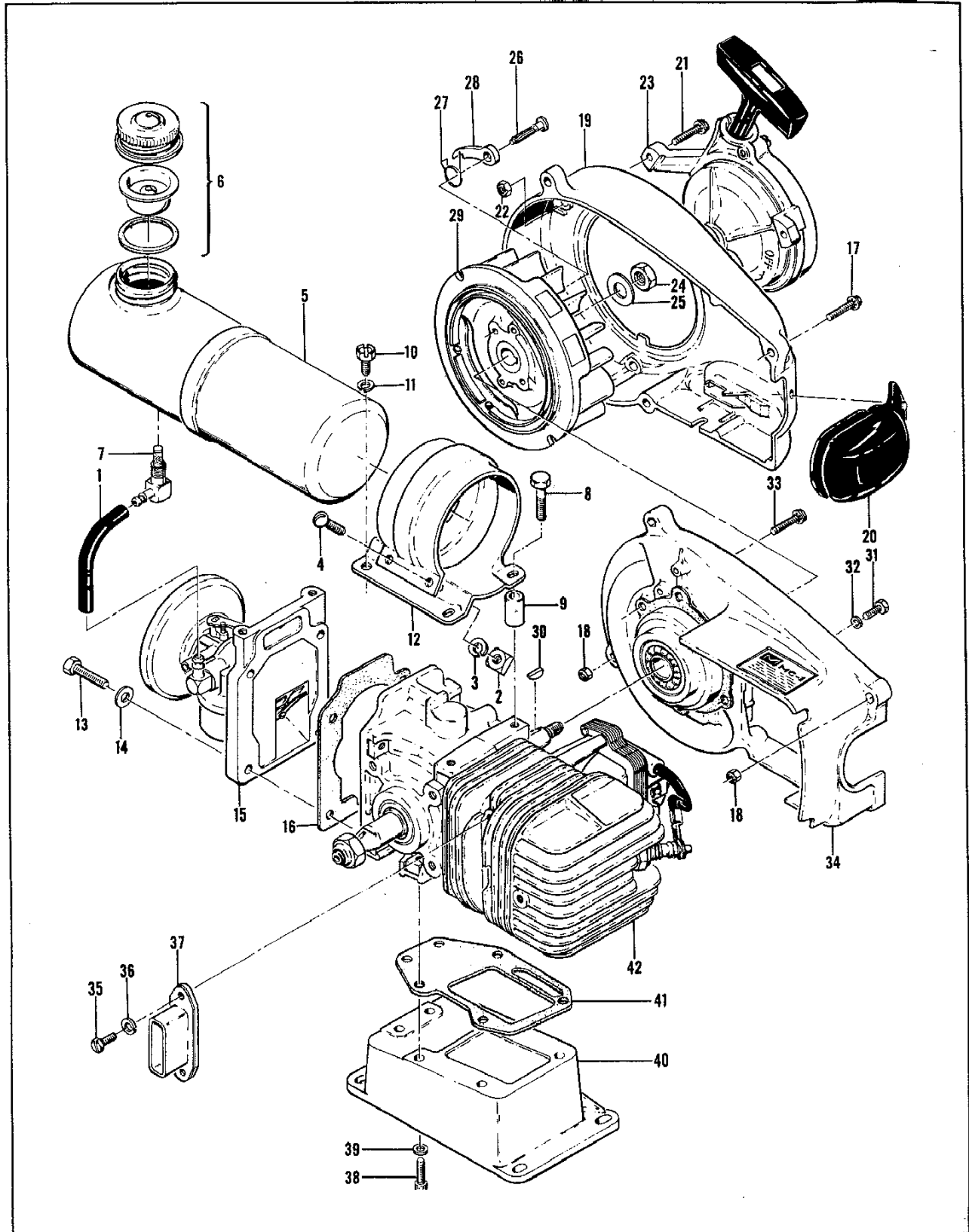


Figure 1. Engine Assembly

MC-1

FIGURE 1 ENGINE ASSEMBLY

Index No.	Part Number	Nomenclature	Units Per Assy
1	57942	Hose - Fuel	1
2	102806	Nut - Square 1/4-20	2
3	100246	Washer - Lock 1/4-20	2
4	104746	Screw - Rd hd 1/4-20 x 1 in. lg	2
5	48961	Tank Assy - Fuel	1
6	104779	Cap Assy - Fuel tank	1
7	104776	Fitting - Screen and elbow	1
8	102128	Screw - Hex hd 1/4-20 x 1-1/4 in. lg	2
9	48959	Spacer	2
10	104817	Screw - Hex hd 1/4-20 x 3/4 in. lg	2
11	100246	Washer - Lock 1/4-20	2
12	57923	Clamp - Fuel tank	1
13	101982	Screw - Hex hd 1/4-20 x 1 in. lg	4
14	100311	Washer - Plain 1/4	4
15		Carburetor Manifold Assy (See Figure 4)	1
16	51738B	Gasket - Crankcase bottom	1
17	104138	Screw - 10-24 x 7/8 in. lg (SEMS)	4
18	101191	Nut - Hex 10-24	2
19	48995	Fan Housing	1
20	57565	Cover Assy - Spark plug	1
21	104138	Screw - 10-24 x 7/8 in. lg (SEMS)	3
22	101191	Nut - Hex 10-24	3
23	57117B	Starter Assembly (See Figure 2)	1
24	101179	Nut - Hex 7/16	1
25	101270	Washer - Plain 7/16	1
26	36144B	Pin - Starter pawl	2
27	50582	Spring - Starter pawl	2
28	24093	Pawl - Starter	2
29	48785A	Flywheel Assy	1
30	100199	Key - Woodruff #3	1
31	102289	Screw - Hex hd 10-24 x 3/4 in. lg	4
32	102189	Washer - Plain #10	4
33	55494	Screw Assembly - Sealing	2
34	57126	Cover - Crankcase (See Figure 2)	1
35	102388	Screw - Hex hd 10-24 x 5/8 in. lg	2
36	103100	Washer - Lock #10 internal	2
37	48609	Header - Exhaust	1
38	100280	Screw - Socket hd 10-24 x 3/4 in. lg	6
39	24236	Washer - Special	6
40	48962	Base - Mounting	1
41	51481A	Gasket	1
42		Powerhead Assembly (See Figure 3)	1

MC-1

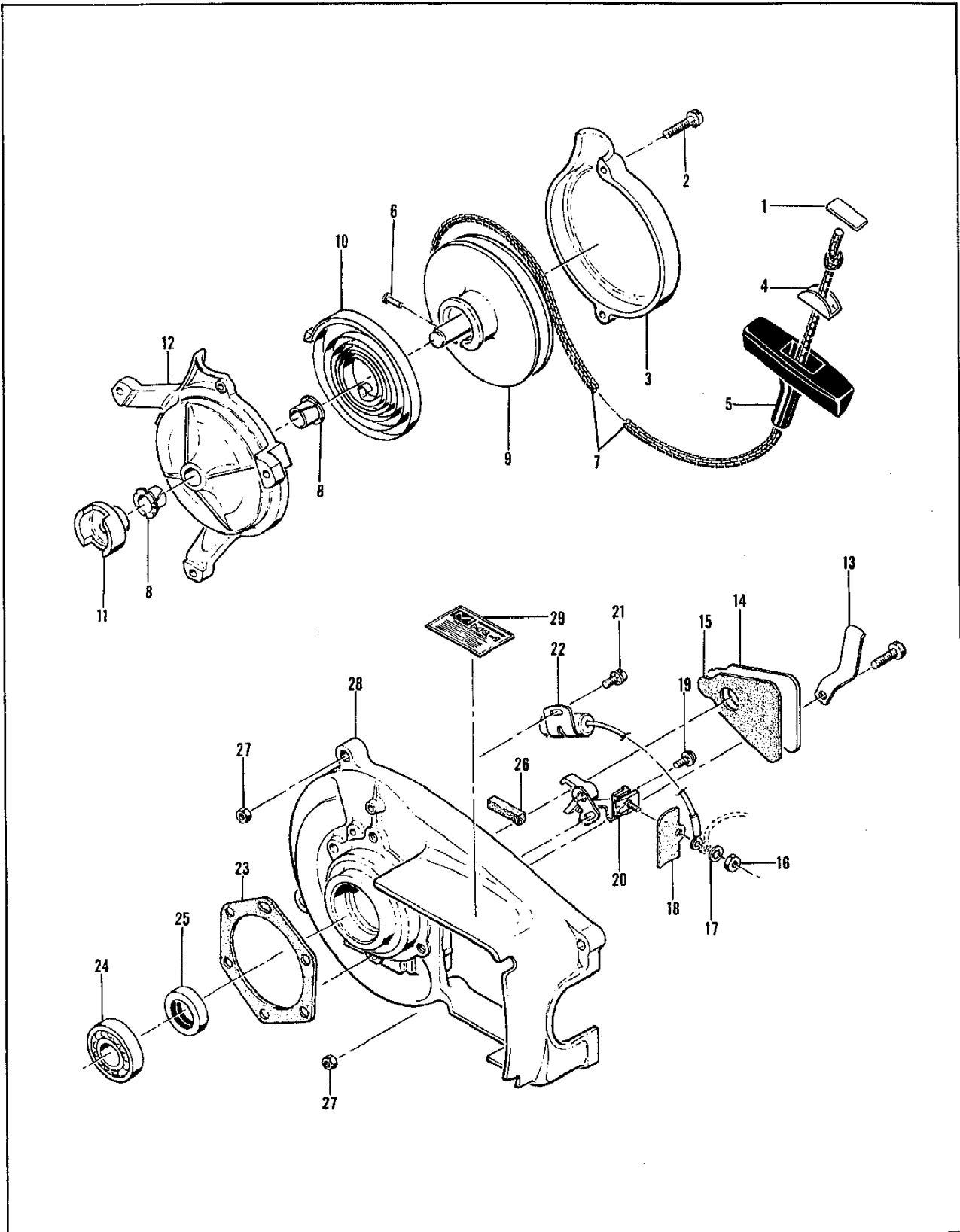


Figure 2. Starter and Crankcase Cover Assemblies

MC-1

FIGURE 2 STARTER AND CRANKCASE COVER ASSEMBLIES

Index No.	Part Number	Nomenclature	Units Per Assy
1	57232	Plate - Starter handle	1
	57117B	Starter Assy	1
2	104396	. Screw - Pan hd 10-24 x 3/4 in. lg	2
3	57102	. Cover - Starter	1
4	57231	. Cup - Starter handle	1
5	57230	. Handle - Starter	1
6	101136	. Rivet	1
7	28716	. Rope - Starter	1
8	57535	. Bushing - Starter base	2
9	57792	. Drum - Starter	1
10	51665	. Spring - Rewind	1
11	57790	. Ratchet - Starter	1
12	57103	. Base - Starter	1
13	50671	Retainer - Breaker box cover	1
14	50588	Cover - Breaker box	1
15	50589	Gasket - Breaker box cover	1
16	100251	Nut - Hex 8-32	1
17	100057	Lockwasher - #8 internal	1
18	50381	Insulator - Breaker terminal	1
19	103672	Screw - 8-32 x 1/2 in. lg (SEMS)	1
20	50076A	Breaker Assy	1
21	103672	Screw - 8-32 x 1/2 in. lg (SEMS)	1
22	50074	Condenser	1
23	51240	Gasket - Crankcase cover	1
24	100824	Bearing - Ball	1
	57126	Crankcase Cover Assy	1
25	50663	. Seal - Oil	1
26	54184	. Wiper - Felt	1
27	101326	. Nut - Hex 10-24	2
28		. Cover - Crankcase (Order Crankcase Assy #57126)	1
29	48952	Plate - Name MC-1	1

MC-1

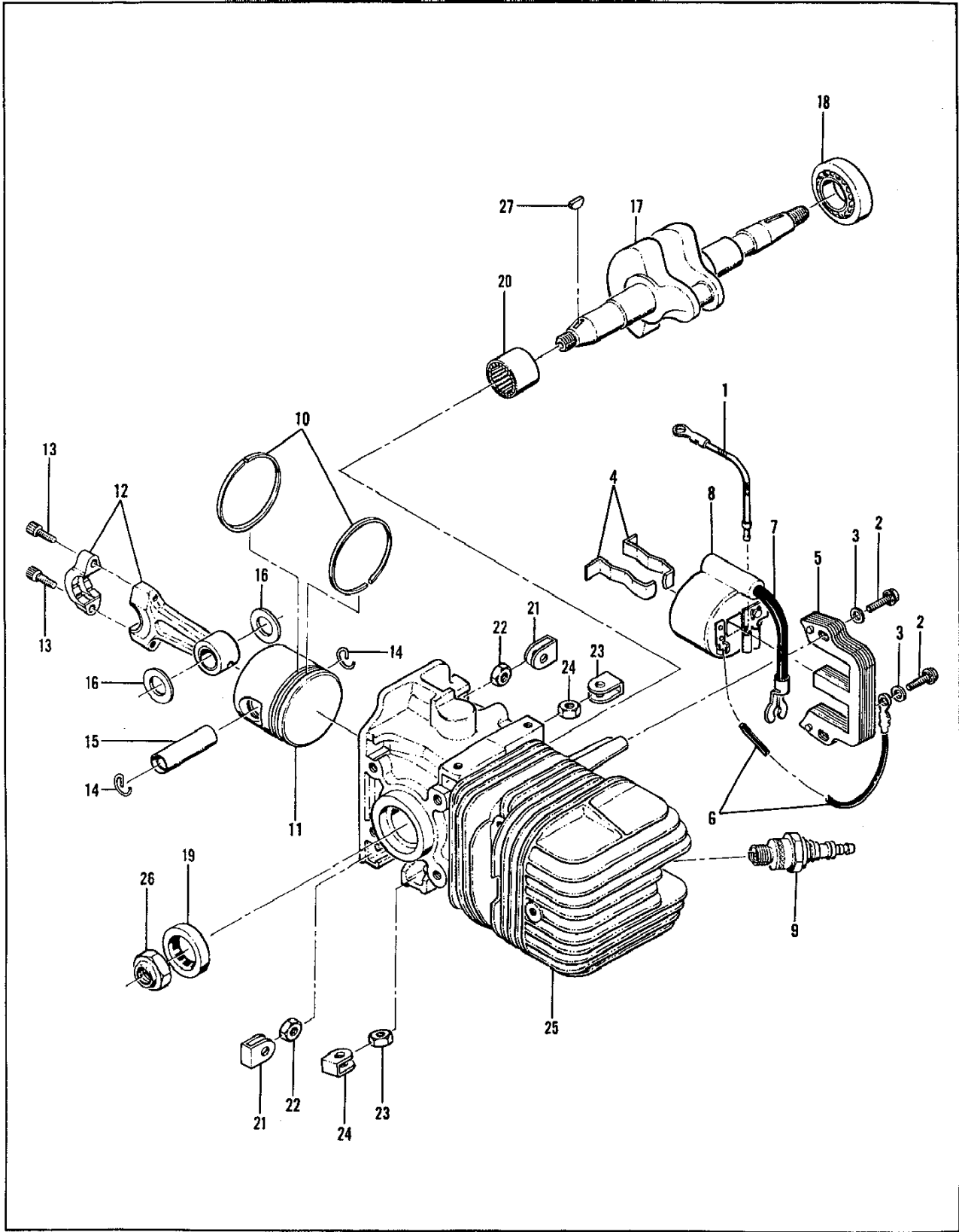


Figure 3. Powerhead Assembly

MC-1

FIGURE 3 POWERHEAD ASSEMBLY

Index No.	Test Number	Nomenclature	Units Per Assy
1	57225	Wire Assy - Primary	1
2	104138	Screw - Hex hd 10-24 x 7/8 in. lg (SEMS)	2
3	102189	Washer - Plain #10	2
4	51253	Retainer - Coil	2
5	51251	Lamination Assy	1
	48975	Coil and Terminal Assy	1
6	101883	. Wire Assy - Ground	1
7	48973	. Wire Assy - Spark plug	1
8		. Coil Assy (Order Coil and Terminal Assy #48975)	1
9		Plug - Spark 14MM	1
	48980	Piston Assy	1
10	48691	. Ring - Piston (Set of 2 rings)	1
11		. Piston (Order Piston Assy #48980)	1
12	48940	Connecting Rod Assy	1
13	101356	. Screw - Socket hd 10-32 x 5/8 in. lg	2
14	36097	Ring - Retaining	2
15	50207A	Pin - Piston	1
16	48944	Washer - Thrust	2
17	48939	Crankshaft	1
18	100824	Bearing - Ball	1
	48946	Crankcase Assy	1
19	104128	. Oil Seal	1
20	104129	. Bearing - Needle	1
21	18556A	. Retainer - Nut	6
22	101143	. Nut - Hex 1/4-20	6
23	28053	. Retainer - Nut	4
24	101326	. Nut - Hex 10-24	4
25		. Crankcase (Order Crankcase Assy #48946)	1
26	103746	Nut - Flexlock 3/8-24	1
27	100199	Key - Woodruff #3	1

MC-1

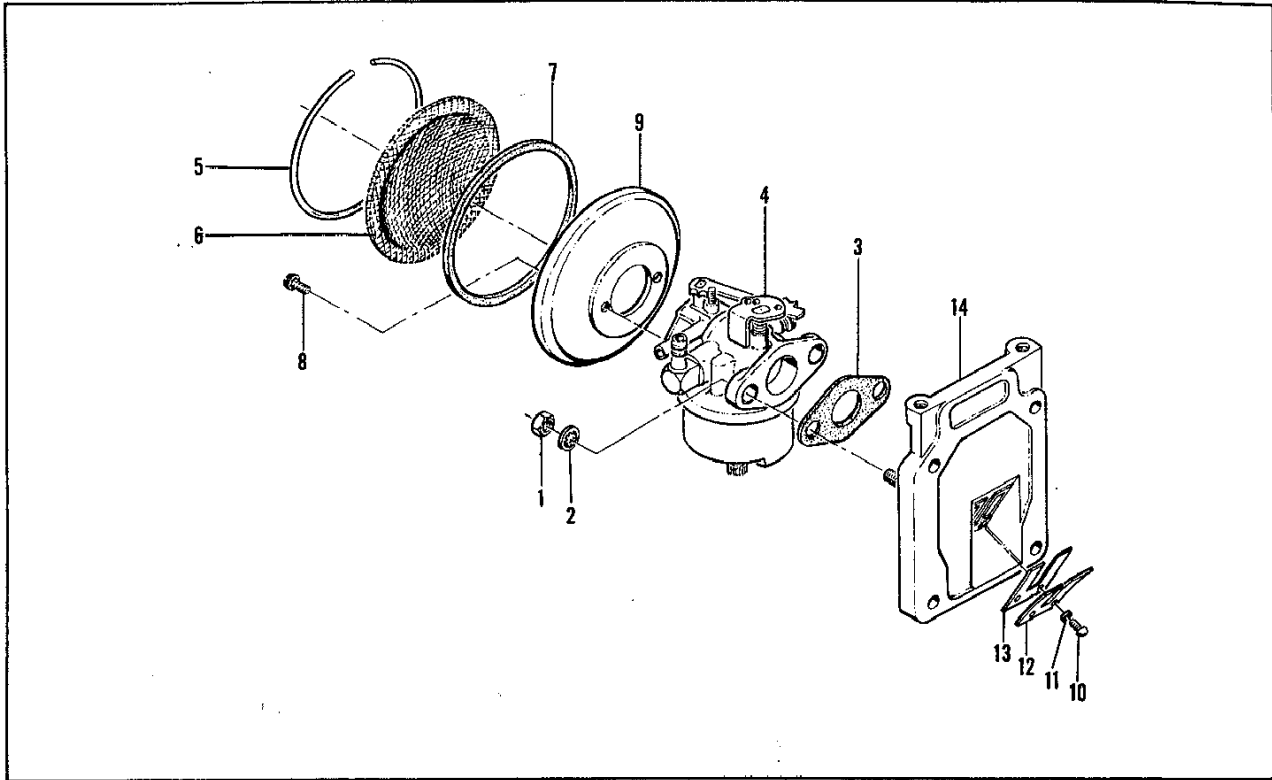


Figure 4. Carburetor and Manifold Assembly

FIGURE 4. CARBURETOR AND MANIFOLD ASSEMBLY

Index No.	Part Number	Nomenclature	Units Per Assy
1	100249	Nut - Hex 1/4-28	2
2	100153	Washer - Lock 1/4	2
3	100842	Gasket - Carburetor	1
4	48957	Carburetor Assy - Walbro LMB	1
5	51646C	Ring - Retaining	1
6	48633	Screen - Deflector	1
7	48632	Gasket - Air cleaner	1
8	103061	Screw - Rd hd 8-32 x 3/8 in. lg (SEMS)	2
9	48958	Cup - Air cleaner	1
	48956	Manifold Assy	1
10	104828	Screw - Rd hd 6-32 x 5/16 in. lg	2
11	100295	Washer - Lock #6	2
12	48972	Stop - Reed valve	1
13	48971	Reed Valve	1
14		Manifold (Order Manifold Assembly #48956)	1