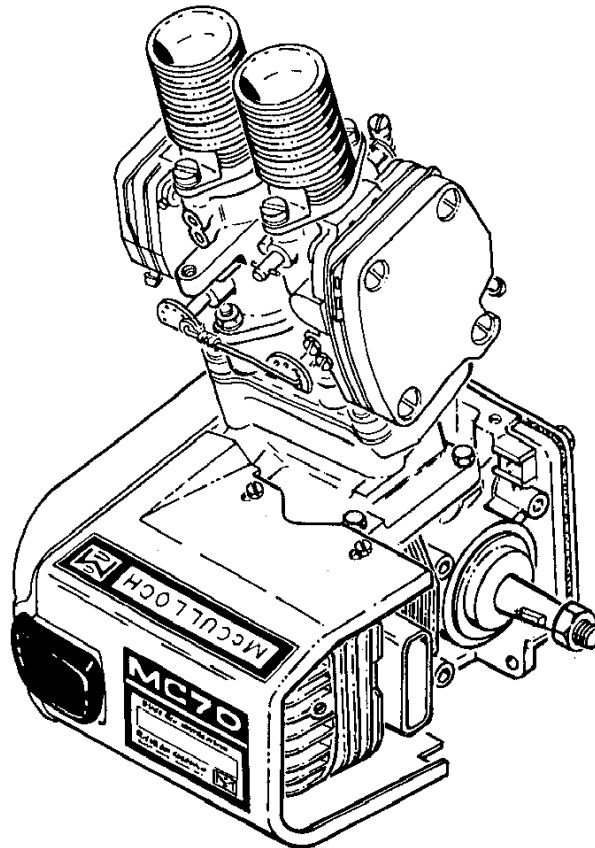


# Kart Engine MC70

# ILLUSTRATED PARTS LIST

MARCH 1963



The following pages contain an illustrated parts list for the MC70 Kart Engine. Due to small differences between engines, it is important that the Serial Number of your Kart Engine be included whenever spare parts are ordered. This will assure receiving the proper parts from your dealer.

The McCulloch Corporation reserves the right to modify or change specifications without (1) prior notification or (2) obligation to back-fit or supply back-fit components for units previously shipped from the factory.

	Page
Figure 1. Engine Assembly, Model MC70 Engine . . . .	2
Figure 2. McCulloch Carburetor Assemblies . . . . .	4
Figure 3. Powerhead Assembly . . . . .	6



**McCULLOCH CORPORATION**  
 8101 West Century Boulevard,  
 Los Angeles 45, California

# MC70

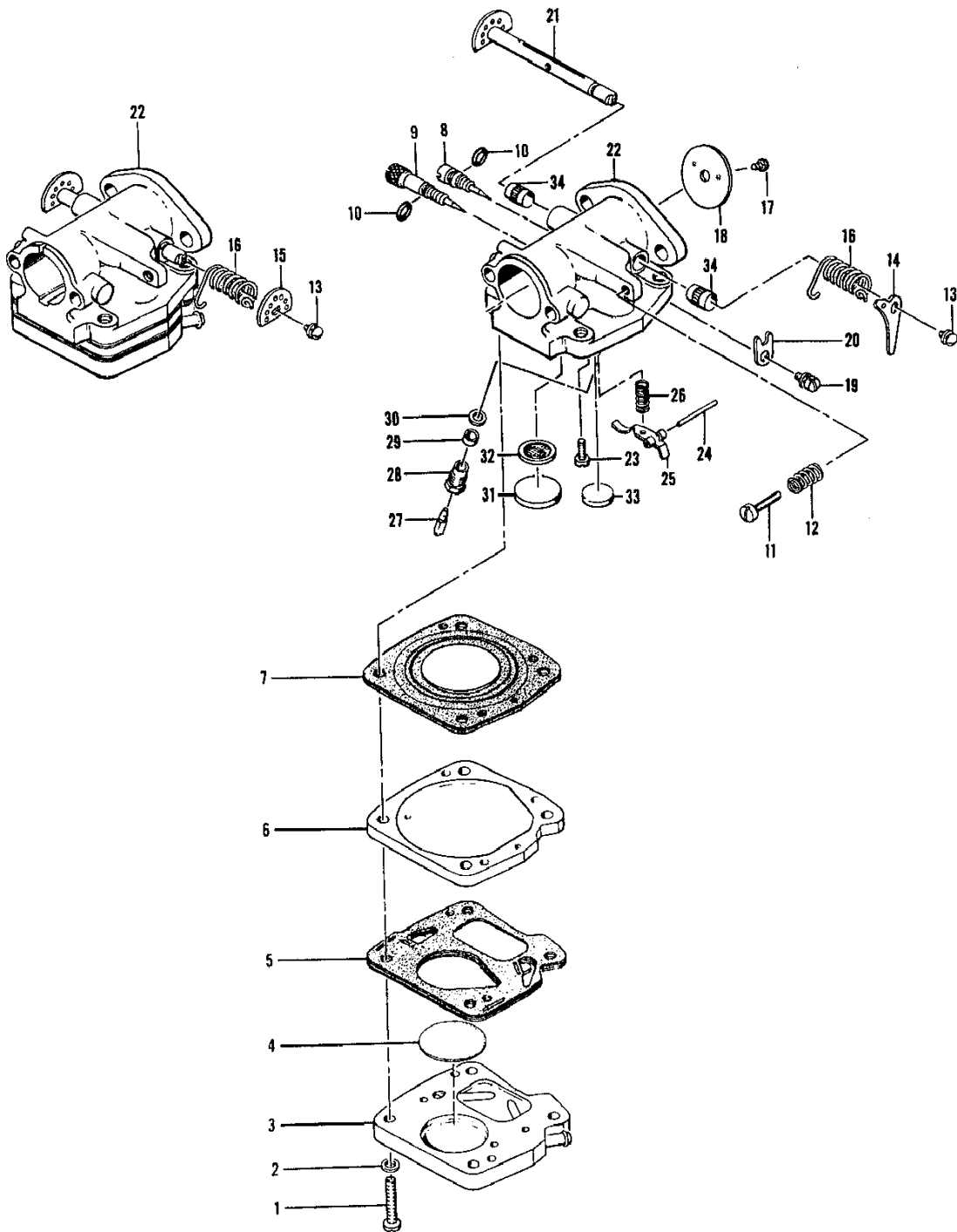


Figure 2. McCulloch Carburetor Assemblies

#47818  
3-63 ①

MC70

FIGURE 2. McCULLOCH CARBURETOR ASSEMBLIES

Index No.	Part Number	Nomenclature	Units Per Assy	Used on Code
		CODE		
		"A" indicates parts used on Carburetor Assembly #48890A		
		"B" indicates parts used on Carburetor Assembly #47821		
	48890A	McCulloch Carburetor Assy .....	1	A
	47821	McCulloch Carburetor Assy .....	1	B
1	104520	. Screw - Pan hd 10-24 x 7/8 in. lg. ....	4	AB
2	102189	. Washer - Plain #10 .....	4	AB
3	48897	. Body Assy - Fuel pump .....	1	AB
4	48911	. Filter - Fuel pump .....	1	AB
5	57274A	. Diaphragm - Fuel pump .....	1	AB
6	48901	. Plate - Carburetor diaphragm .....	1	AB
7	55067C	. Diaphragm .....	1	AB
8	55090	. Needle - Metering .....	1	AB
9	48810	. Needle - Metering main .....	1	AB
10	104001	. "O" Ring .....	2	AB
11	55397	. Screw - Idle .....	1	A
12	51705	. Spring - Idle screw .....	1	A
13	104814	. Screw - Pan hd 4-40 x 1/4 in. lg. (SEMS) .....	1	AB
14	*50701A	. Arm - Throttle shaft .....	1	A
15	*47788	. Plate .....	1	B
16	48820	. Spring - Throttle return .....	1	AB
17	104814	. Screw - Pan hd 4-40 x 1/4 in. lg. (SEMS) .....	1	AB
18	55085	. Plate - Throttle .....	1	AB
19	110055	. Screw - Fil hd 8-32 x 1/4 in. lg. (SEMS) .....	1	AB
20	55082	. Clip - Throttle shaft .....	1	AB
21	48818A	. Shaft - Throttle assy .....	1	AB
22	48907A	. Carburetor Body Assy .....	1	AB
23	104164	. Screw - Pan hd 4-40 x 1/4 in. lg. ....	1	AB
24	104305	. Pin - Inlet lever .....	1	AB
25	55688	. Lever - Inlet control .....	1	AB
26	57172	. Spring - Inlet lever .....	1	AB
27	55476A	. Valve - Needle .....	1	AB
28	55475	. Body - Needle .....	1	AB
29	59480	. Seat - Needle .....	1	AB
30	55689	. Washer - Valve .....	1	AB
31	104407	. Plug - Expansion .....	1	AB
32	55690B	. Seal - Capillary .....	1	AB
33	102758	. Plug - Expansion .....	1	AB
34	55062A	. Bushing - Carburetor body .....	2	AB

\*NOTE: Carburetor Assemblies 48890A and 47821 are alike except for item numbers 14 and 15.

# MC70

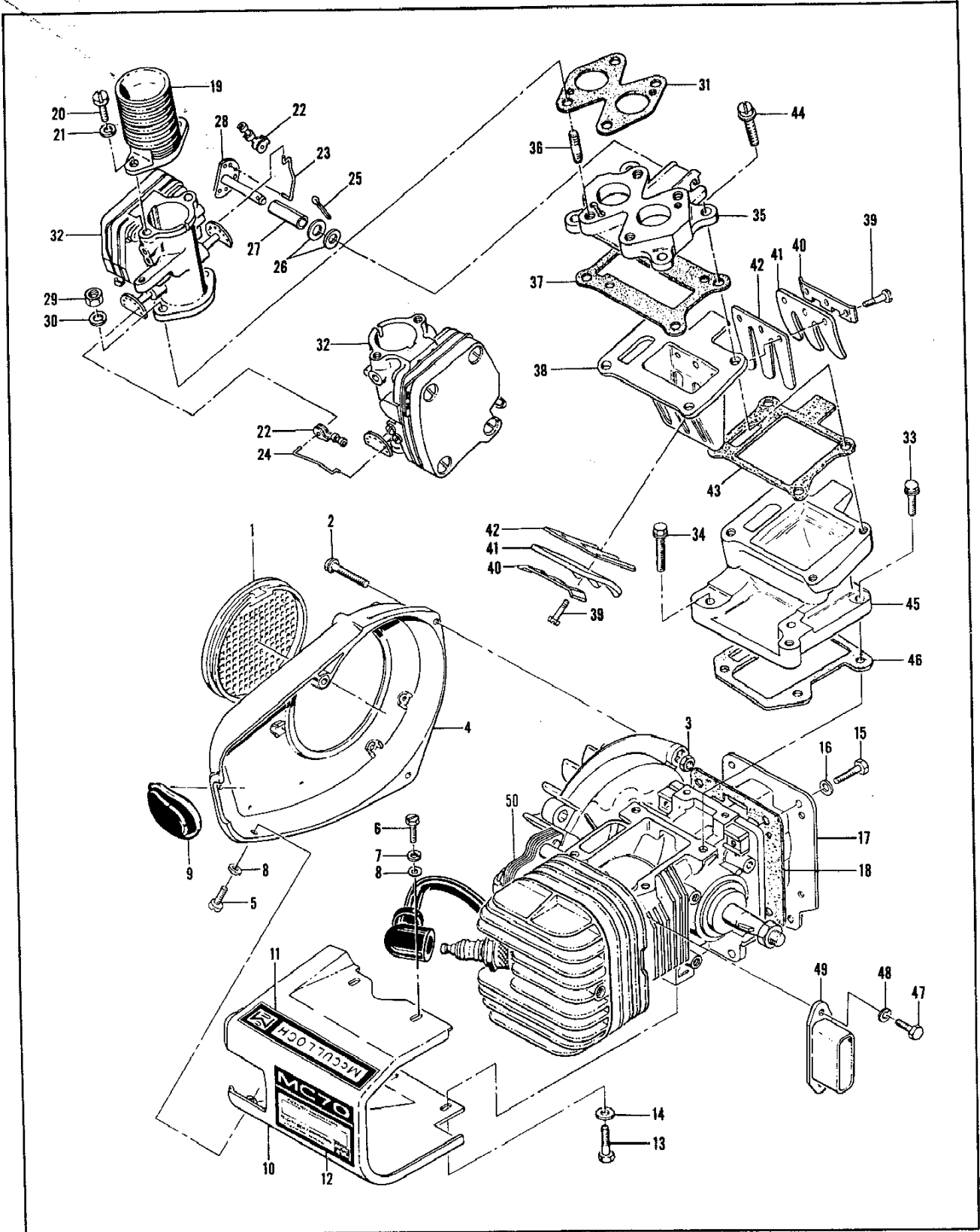


Figure 1. Engine Assembly, Model MC70 Engine

MC70

FIGURE 1. ENGINE ASSEMBLY, MODEL MC70 ENGINE

Index No.	Part Number	Nomenclature	Units Per Assy
1	55615	Guard .....	1
2	104816	Screw - 10-24 x 1-1/4 in. lg. (SEMS) .....	3
3	101191	Nut - Hex 10-24 .....	2
4	47820	Housing - Fan .....	1
5	102500	Screw - Pan hd 10-24 x 1/2 in. lg. ....	1
6	102762	Screw - Hex hd 10-24 x 1/2 in. lg. ....	1
7	101194	Washer - Lock .....	3
8	100002	Washer - No. 10 .....	2
9	48936	Cover Assembly - Spark plug .....	1
10	47831	Shroud - Cylinder .....	1
11	48588	. Nameplate .....	1
12	47811	. Nameplate .....	1
13	100732	Screw - Hex hd 1/4-20 x 5/8 in. lg. ....	2
14	100005	Washer .....	2
15	101982	Screw - Hex hd 1/4-20 x 1 in. lg. ....	4
16	100311	Washer .....	4
17	47803	Bottom Cover - Crankcase.....	1
18	48909A	Gasket - Crankcase bottom .....	1
19	13598	Stack Assy - Carburetor intake .....	2
20	100050	. Screw - Fil hd 10-32 x 3/8 in. lg. ....	4
21	100240	. Lockwasher - #10 .....	4
22	59159	Clip .....	1
23	47793	Rod - Throttle link .....	1
24	47794	Rod - Throttle connecting .....	1
25	105595	Pin - Cotter .....	1
26	110106	Washer .....	2
27	47792	Bushing - Nylon .....	1
28	47789	Shaft Assy .....	1
29	100249	Nut - Hex 1/4-28 .....	4
30	100153	Washer - Lock 1/4 in. ....	4
31	47787	Gasket - Dual carburetor .....	1
32		Carburetor Assy (See figure 2) .....	2
33	103464	Screw - Hex hd 10-24 x 3/4 in. lg. (SEMS) .....	2
34	102290	Screw - Hex hd 10-24 x 1-1/8 in. lg. ....	2
	47732	Manifold and Reed Assy .....	1
35	47733	. Adapter Assy - Carburetor .....	1
36	48611	. . Stud - Carburetor .....	4
37	47774	. . Gasket - Adapter-to-block .....	1
38	47731	. Block Assy - Reed valve .....	1
39	104476	. . Screw - Hex hd 8-32 x 5/16 in. lg. ....	4
40	47770	. . Plate - Lock .....	2
41	47773	. . Guard - Reed valve .....	2
42	47771	. . Valve - Reed .....	2
43	47772A	. Gasket - Block-to-manifold .....	1
44	103464	. Screw - 10-24 x 3/4 in. lg. (SEMS) .....	4
45	47777	. Body - Manifold .....	1
46	48516	Gasket - Manifold-to-crankcase .....	1
47	102388	Screw - Hex hd 10-24 x 5/8 in. lg. ....	2
48	103100	Washer - Lock .....	2
49	48609	Header - Exhaust .....	1
50		Powerhead Assy (See figure 3) .....	1

# MC70

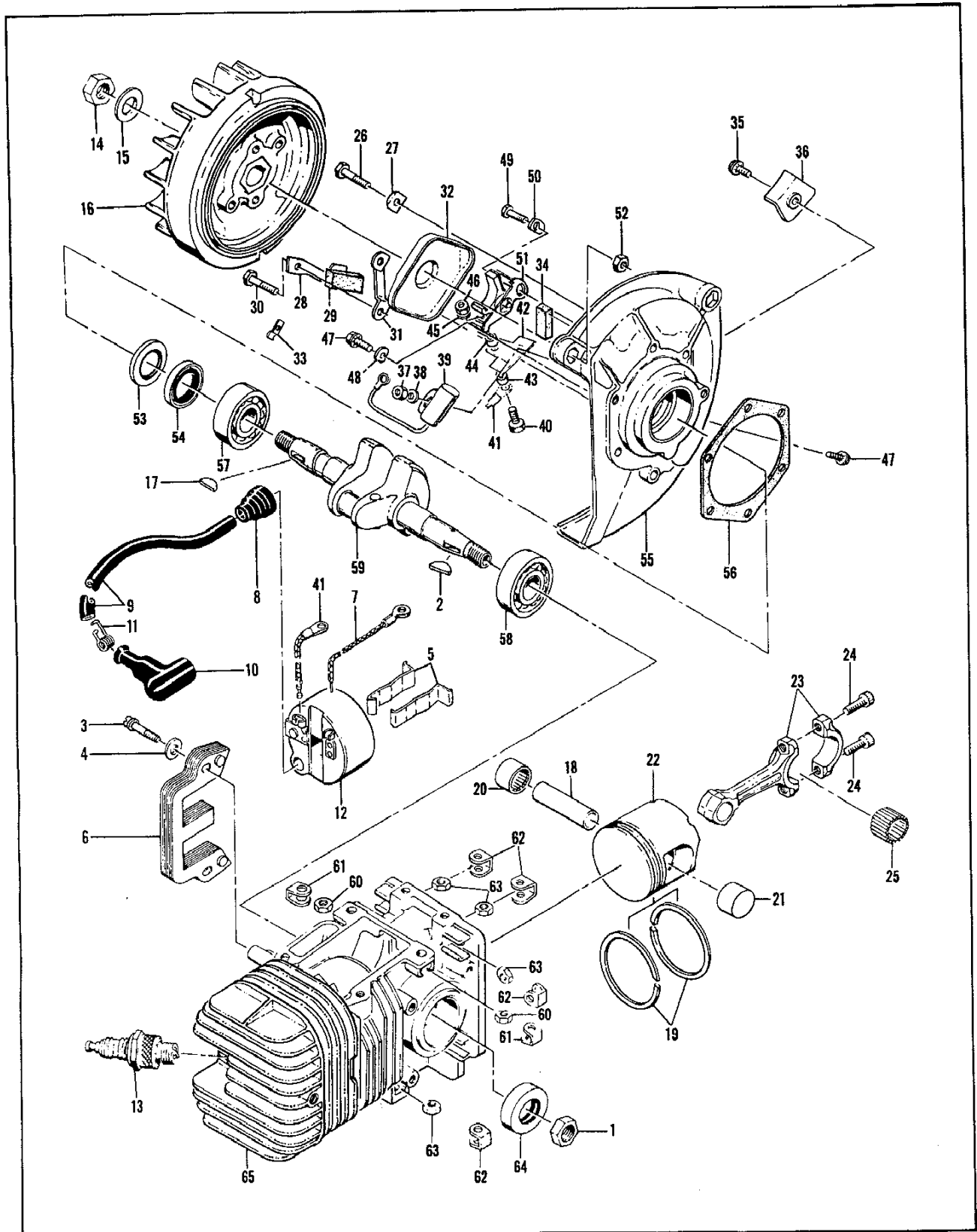


Figure 3. Powerhead Assembly

FIGURE 3. POWERHEAD ASSEMBLY

Index No.	Part Number	Nomenclature	Units Per Assy
1	103746	Nut - Hex 3/8-24 .....	1
2	103879	Key - Woodruff .....	1
3	101965	Screw - Fil hd 10-24 x 7/8 in. lg. (SEMS) .....	2
4	100003	Washer .....	2
5	51253	Retainer - Coil .....	2
6	51251	Lamination Assy - Coil .....	1
	55949A	Coil and Terminal Assy .....	1
7	101883	. Wire Assy - Ground .....	1
8	55617	. Nipple - Spark plug wire .....	1
9	52547	. Wire Assy - Spark plug .....	1
10	55060	. . Boot - Spark plug .....	1
11	55061	. . Connector - Spark plug wire .....	1
12		. Coil Assy..... (Order Coil and Terminal Assy #55949A)	1
13		Spark Plug - 14mm .....	1
14	101179	Nut - Hex 7/16 .....	1
15	101270	Washer - Special .....	1
16	48785A	Flywheel Assy .....	1
17	103879	Key - Woodruff .....	1
18	47810	Pin - Piston .....	1
	47813	Piston Assy - Standard size .....	1
19	58699A	. Ring Set - Standard size .....	1
20	110107	. Bearing - Needle .....	1
21	110108	. Bearing - Needle (closed end) .....	1
22		. Piston .....	1
		(Order Piston Assy #47813)	
23	47832	Connecting Rod Assy .....	1
24	47819	. Screw - Socket hd 10-32 x 5/8 in. lg. ....	2
25	102742	. Roller - Needle .....	24
26	102763	Screw - Hex hd 10-24 x 3/4 in. lg. ....	2
27	36388	Plate - Lock .....	1
28	57815	Strap - Seal .....	1
29	50664	Seal - Breaker box drain .....	1
30	102763	Screw - Hex hd 10-24 x 3/4 in. lg. ....	4
31	55977	Clip - Breaker box cover .....	2
32	55766B	Cover and Gasket Assy - Breaker box .....	1
	47801	Crankcase Cover Assy - Complete .....	1
33	104230	. Speednut.....	1
34	54184	. Wiper - Felt .....	1
35	11055	. Screw - Fil hd 8-32 x 3/8 in. lg. (SEMS) .....	1
36	57829	. Clamp - Ignition wire .....	1
37	100955	. Nut - Hex 8-32 .....	1
38	100080	. Washer - Plain #8 .....	1
39	50074	. Condenser .....	1
40	103748	. Screw - Hex hd 8-32 x 1/2 in. lg. ....	1
41	57766	. Wire Assy - Primary .....	1
42	55782	. Insulator .....	1
43	57769	. Insulator - Ignition screw .....	1
44	57770A	. Insulator - Breaker spring .....	1
45	104553	. Washer - Lock #8 .....	1
46	104551	. Nut - Hex 8-32 .....	1
47	104733	. Screw - 8-32 x 1/2 in. lg. (SEMS) .....	2
48	55778C	. Washer - Special .....	1
49	104733	. Screw - 8-32 x 1/2 in. lg. (SEMS) .....	1
50	57767A	. Lockplate.....	1
51	57765A	. Breaker Assy .....	1
	47816	. Cover Assy - Crankcase .....	1
52	101326	. . Nut - Hex 10-24 .....	1
53	57898	. . Seal - Oil.....	1
54	57897	. . Seal - Oil.....	1
55		. . Cover - Crankcase ... (Order Crankcase Cover Assy #47861A)	1
56	51240	Gasket - Cover .....	1

This list continued on page 8

MC70

**FIGURE 3. POWERHEAD ASSEMBLY—(CONT)**

Index No.	Part Number	Nomenclature	Units Per Assy
57	100824	Bearing - Ball .....	1
58	104490	Bearing - Ball .....	1
59	47798	Crankshaft .....	1
	47795	Cylinder and Crankcase Assy .....	1
60	101326	. Nut - Hex 10-24 .....	8
61	28053	. Retainer - Nut .....	2
62	18556A	. Retainer - Nut .....	6
63	101143	. Nut - Hex 10-24 .....	6
64	104486	. Seal - Oil .....	1
65		. Cylinder and Crankcase ..... (Order Cylinder and Crankcase Assy #47795)	1

**OVERSIZE PISTON ASSEMBLY**

47814	Piston Assy - 0.010 inch oversize
58831	. Ring Set - 0.010 inch oversize
47829	Piston Assy - 0.020 inch oversize
47825	. Ring Set - 0.020 inch oversize
47830	Piston Assy - 0.030 inch oversize
47826	. Ring Set - 0.030 inch oversize