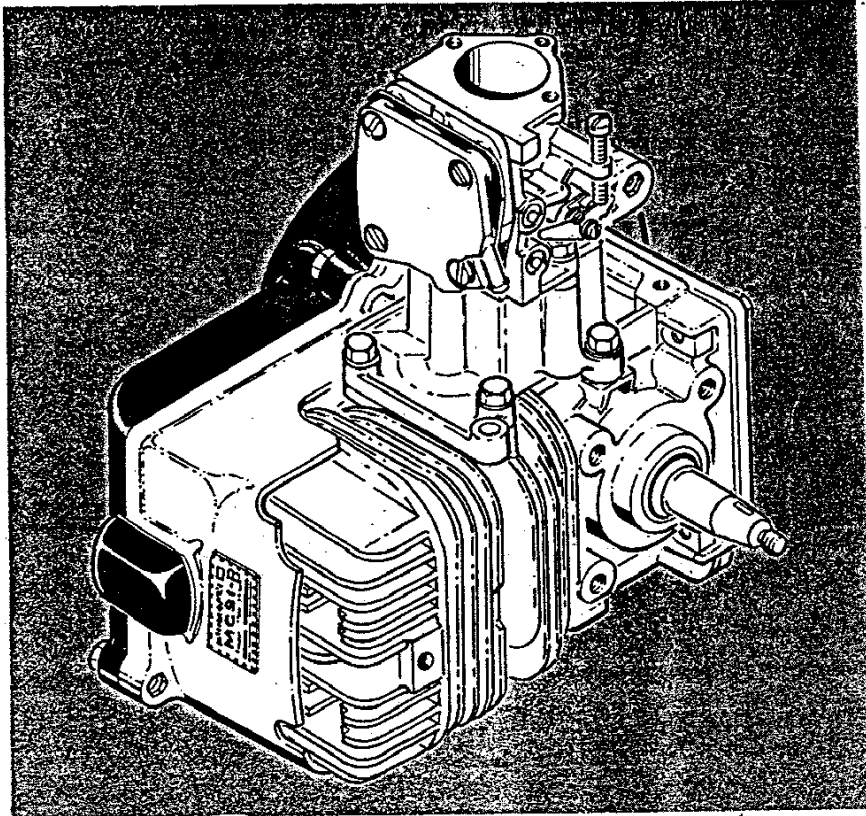


KART engine MC91 series ILLUSTRATED PARTS LIST

JUNE 1970



The policy of McCulloch Corporation is one of continual improvement in design, manufacturing and engineering advancement wherever possible to assure still finer two-cycle power tools. Hence, specifications, equipment, colors, design and manufacturer's suggested list prices are subject to change without notice and McCulloch Corporation reserves the right to make such changes without prior notification or obligation to backfit or supply backfit components for units previously shipped from the factory.

	Page
Figure 1. General	2
Figure 2. Carburetor Assembly	4
Figure 3. Carburetor Assembly	6
Figure 4. Powerhead Assembly	8

(See page 3 for cancelled and superseded parts lists)



McCULLOCH

91 Series

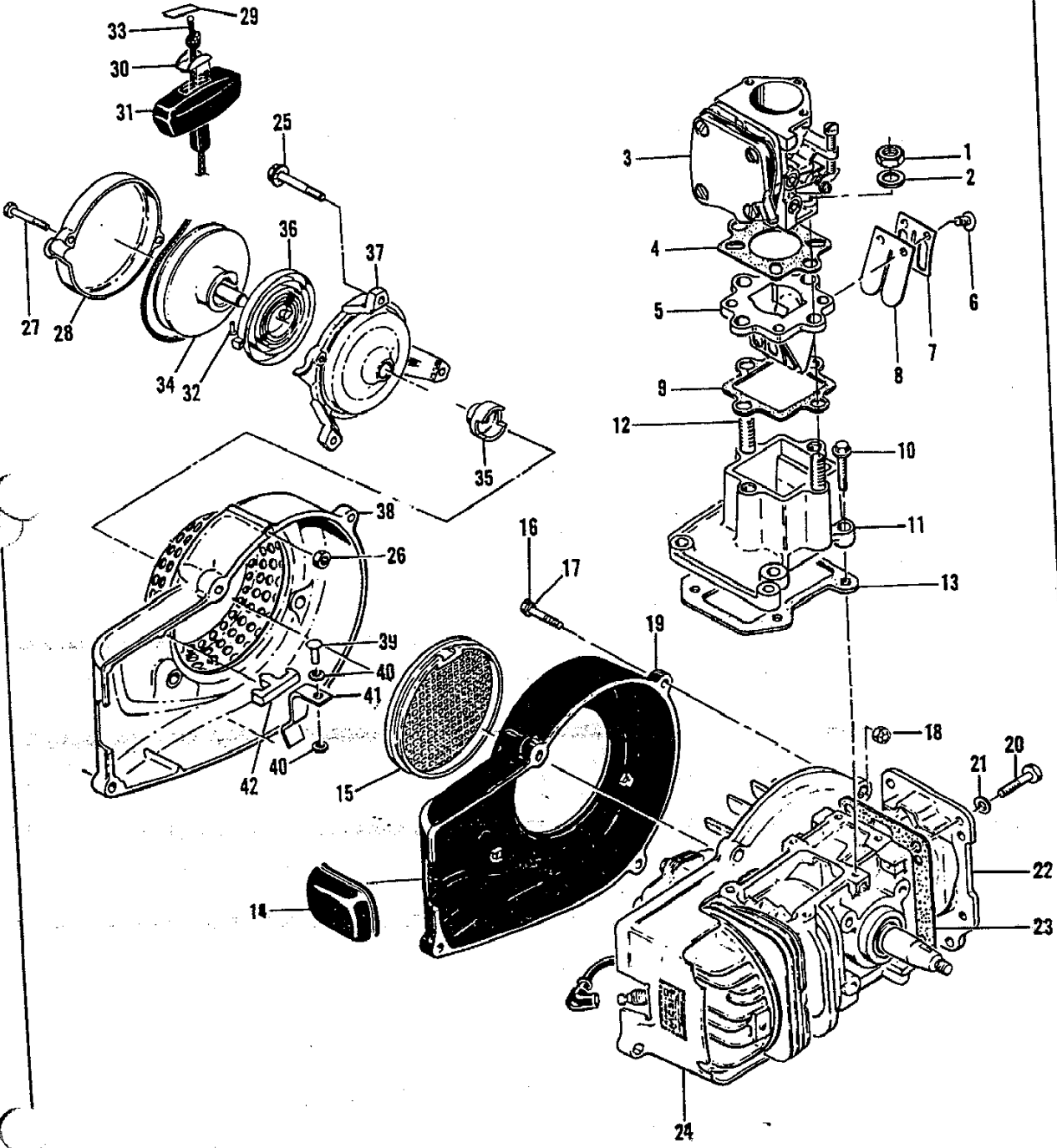


Figure 1. General

MC 91 Series

FIGURE 1. GENERAL

Item No.	Part Number	Description	Units Per Assy	Usable on Code		
MC 91 Series Usable on Code						
	Model	MC 91	MC 91	MC 91A	MC 91C	MC 91B
	Letter	A	B	C	D	E
	Serial Numbers	Without Prefix	Prefixed 10-	Prefixed 11-	Prefixed 12-	Prefixed 13-, A12-
1	100249	Nut - Hex 1/4-28	2	All		
2	100153	Lockwasher - 1/4	2	All		
3		Carburetor Assy (See Figures 2 & 3)	1	All		
4	65939	Gasket - Carburetor	1	All		
5	68091	Valve Assy - Reed block	4	All		
6	101987	• Screw - Rd hd 6-32 x 1/4	2	All		
7	65904	• Plate - Clamp	2	All		
8	68074	• Valve - Reed	1	A,B		
9	65937	Gasket - Reed block	1	C,D,E		
	68894	Gasket - Reed block	4	All		
10	103947	Screw - Hex hd 10-24 x 1 (SEMS)	1	All		
11	68889	Adapter Assy - Carburetor	2	All		
12	47868	• Stud - Adapter	1	All		
13	48516	Gasket - Adapter	1	All		
14	57565	Cover Assy - Spark plug	1	A,B,C,D		
	55615	Guard - Flywheel	4	A,B,C,D		
	104815	Screw - Hex hd 10-24 x 7/8 (SEMS)	4	E		
	102760	Screw - Hex hd 10-24 x 1	4	E		
17	110264	Washer - #10	2	All		
18	101326	Nut - Hex 10-24	1	All		
19	68989	Fan Housing	4	All		
20	101982	Screw - Hex hd 1/4-20 x 1	4	All		
21	13643	Washer - Special	1	All		
22	67254	Cover - Crankcase bottom	1	All		
23	65578	Gasket - Cover	1	All		
24		Powerhead Assy (See Figure 4)	3	D		
25	104815	Screw - Hex hd 10-24 x 7/8 (SEMS)	3	D		
26	101191	Nut - Hex 10-24	1	D		
	84211	Starter Assy	2	D		
27	104396	• Screw - Pan hd 10-24 x 3/4	1	D		
28	60647	• Cover - Starter	1	D		
29	57232	• Plate - Handle	1	D		
30	57231	• Cup - Handle	1	D		
31	57230	• Handle - Starter	1	D		
32	101136	• Rivet - Rope	1	D		
33	28716	• Rope - Starter	1	D		
34	57792	• Drum - Starter	1	D		
35	57790	• Ratchet - Starter	1	D		
36	51665	• Spring - Rewind	1	D		
37	84212	• Base - Starter	1	D		
38	69819	Fan Housing Assy	1	D		
39	103819	• Rivet	2	D		
40	24236	• Washer - Special	1	D		
41	50818	• Spring	1	D		
42	50817	• Button - Stop switch	1	D		

Illustrated Parts List, P/N 84456, supersedes and cancels all previous lists issued for MC 91 Series kart engines. Discard the following lists:
 IPL 65942 and Parts List Sheet 66828 covering MC 91 engines having serial numbers without prefix.
 IPL 68629 covering MC 91 engines having serial numbers prefixed 10-.
 IPL 68908 covering MC 91A engines having serial numbers prefixed 11-.
 Addendum 69813 covering MC 91C engines having serial numbers prefixed 12-.

MC 91 Series

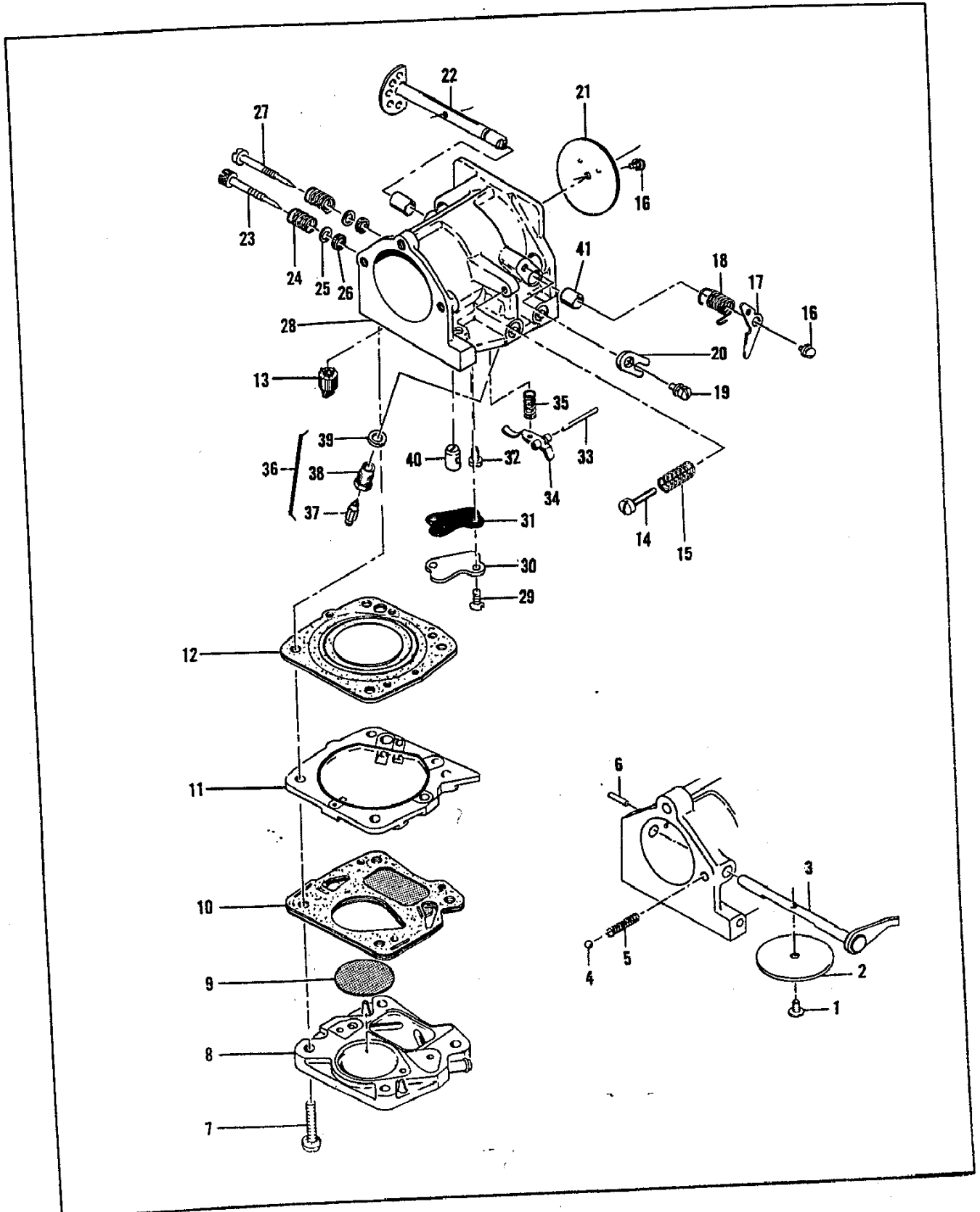


Figure 2 Carburetor Assembly

MC 91 Series

FIGURE 2. CARBURETOR ASSEMBLY

Item No.	Part Number	Description	Units Per Assy	Usable on Code		
MC 91 Series Usable on Code						
	Model	MC 91	MC 91	MC 91A	MC 91C	MC 91B
	Letter	A	B	C	D	E
	Serial Numbers	Without Prefix	Prefixed 10-	Prefixed 11-	Prefixed 12-	Prefixed 13-, A12-
	68886	Carburetor Assy	1	A,B,C		
	82894	Carburetor Assy	1	D		
1	104814	Screw - Pan hd 4-40 x 1/4 (SEMS)	1	D		
2	65934	Plate - Choke	1	D		
3	82893	Shaft Assy - Choke	1	D		
4	100071	Ball - Choke detent	1	D		
5	52930	Spring - Choke detent	1	D		
6	101796	Pin - Groove	1	D		
7	104520	Screw - Pan hd 10-24 x 7/8 (SEMS)	4	A,B,C,D		
8	69169	Body - Fuel pump	1	A,B,C,D		
9	48911	Filter - Fuel	1	A,B,C,D		
10	57274B	Diaphragm - Fuel pump	1	A,B,C,D		
11	69170	Plate - Diaphragm	1	A,B,C,D		
12	66092	Diaphragm - Carburetor	1	A,B,C,D		
13	53766A	Valve - Check	1	A,B,C,D		
4	62910	Screw - Idle speed	1	A		
	55397	Screw - Idle speed	1	B,C,D		
15	51705	Spring - Idle screw	1	A,B,C,D		
16	104814	Screw - Pan hd 4-40 x 1/4 (SEMS)	2	A,B,C,D		
17	50701A	Arm - Throttle shaft	1	A,B,C,D		
18	65935	Spring - Throttle return	1	A,B,C,D		
19	110055	Screw - Fil hd 8-32 x 3/8 (SEMS)	1	A,B,C,D		
20	55082	Clip - Shaft	1	A,B,C,D		
21	65934	Plate - Throttle	1	A,B,C,D		
22	65932	Shaft Assy - Throttle	1	A,B,C,D		
23	68893	Needle - Main adjustment	1	A,B,C,D		
24	52936	Spring - Needle	2	A,B,C,D		
25	52937	Washer - Packing	2	A,B,C,D		
26	52938	Packing - Needle	2	A,B,C,D		
27	67264	Needle - Idle adjustment	1	A,B,C,D		
28	68907	Body Assy - Carburetor	1	A,B,C		
	69812	Body Assy - Carburetor	1	D		
29	103460	Screw - Fl hd 4-40 x 1/4	2	A,B,C,D		
30	66097	Cover - Capillary	1	A,B,C,D		
31	66098	Gasket - Cover	1	A,B,C,D		
32	104728	Screw - Bind hd 6-32 x 1/4	1	A,B,C,D		
33	104305	Pin - Lever	1	A,B,C,D		
34	55688	Lever - Inlet	1	A,B,C,D		
35	57172	Spring - Lever	1	A,B,C,D		
36	60163A	Set - Needle and body	1	A,B,C,D		
37	63038	Needle - Valve	1	A,B,C,D		
38	58969	Body - Valve	1	A,B,C,D		
39	55689	Washer - Valve	1	A,B,C,D		
40	65611	Valve Assy - Check	1	A,B		
	68890	Valve Assy - Check	1	C,D		
41	55062A	Bushing - Shaft	2	A,B,C,D		

MC 91 Series

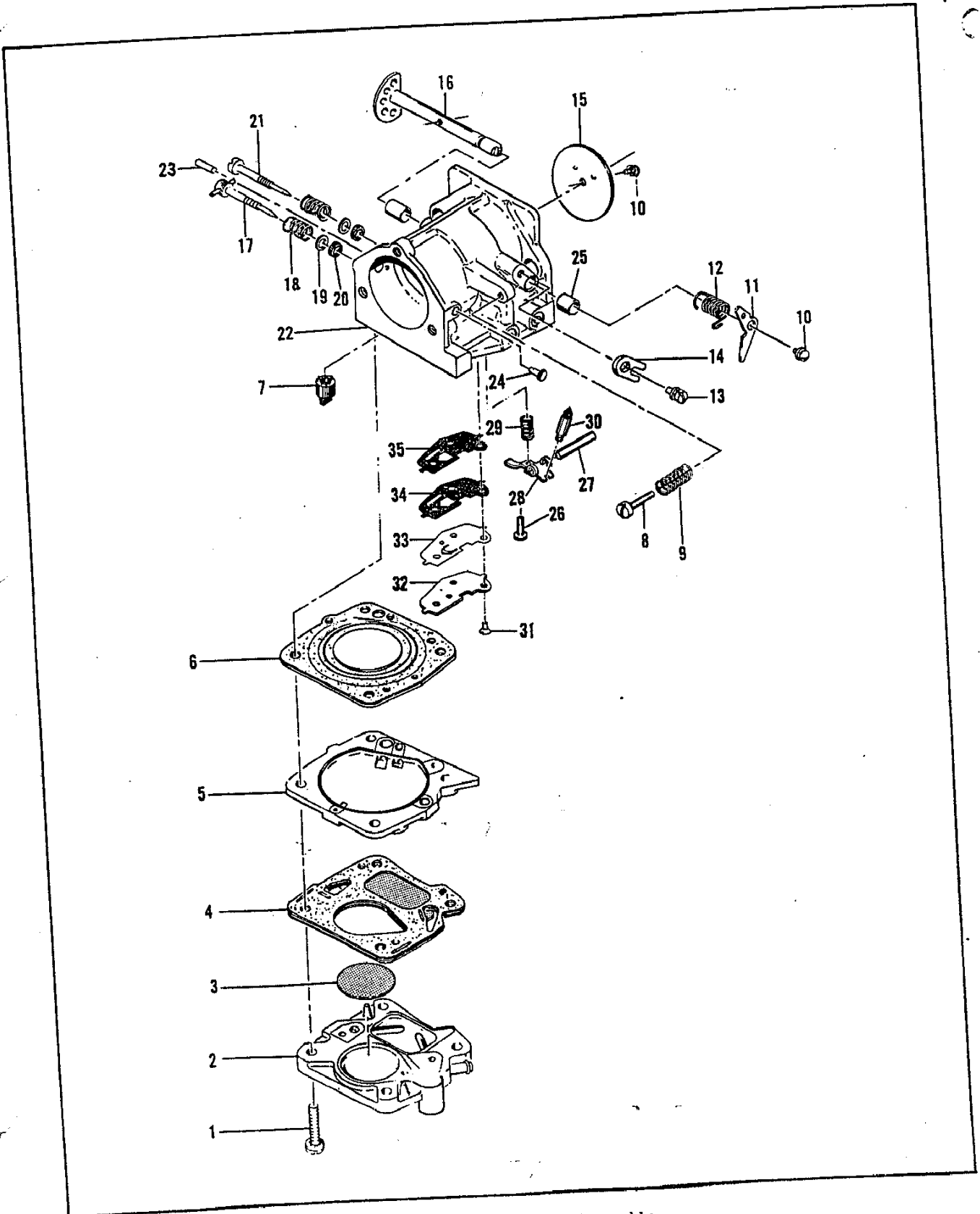


Figure 3. Carburetor Assembly

MC 91 Series

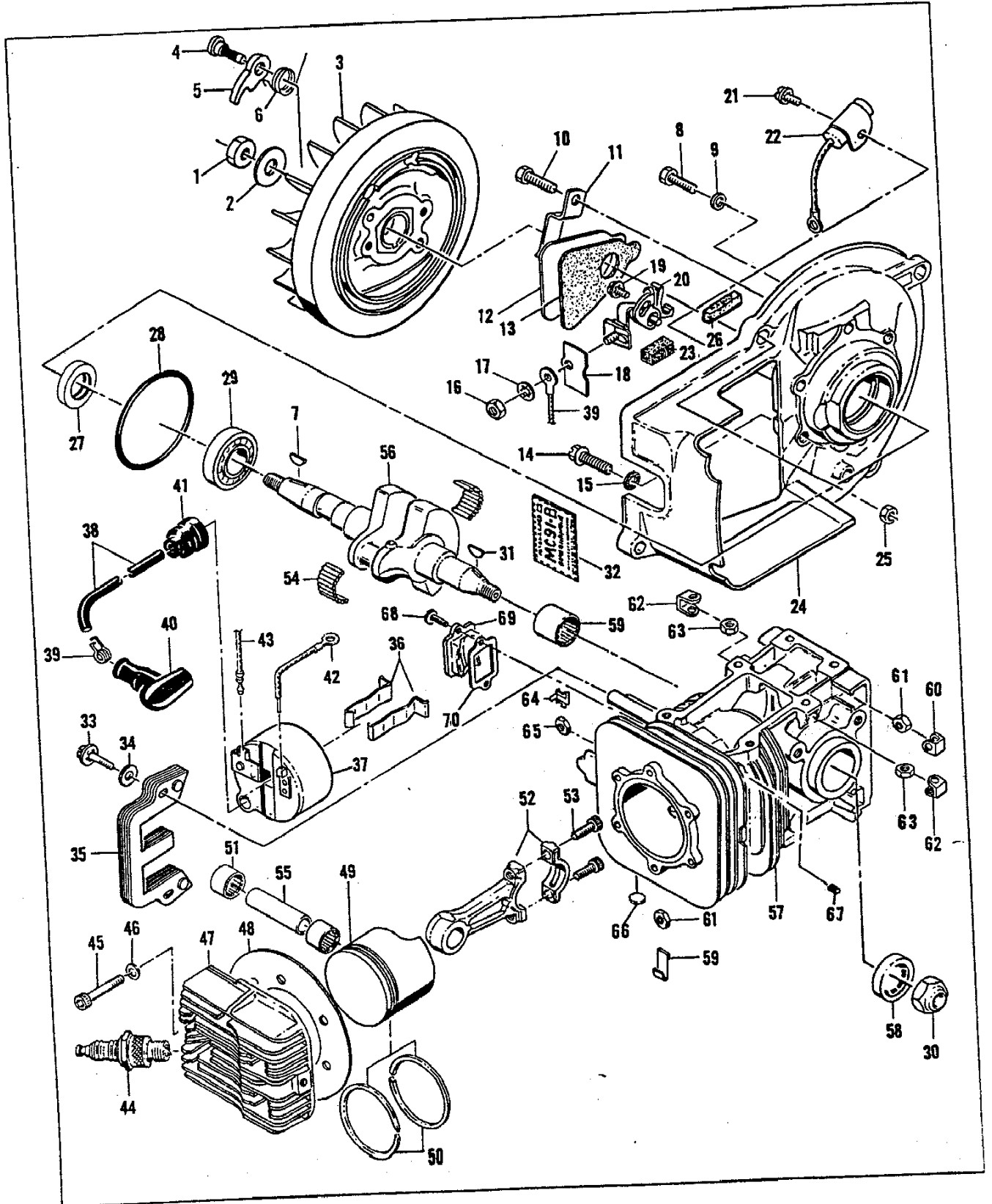


Figure 4. Powerhead Assembly

MC 91 Series

FIGURE 4. POWERHEAD ASSEMBLY

Item No.	Part Number	Description	Units Per Assy	Usable on Code		
MC 91 Series Usable on Code						
	Model	MC 91	MC 91	MC 91A	MC 91C	MC 91B
	Letter	A	B	C	D	E
	Serial Numbers	Without Prefix	Prefixed 10-	Prefixed 11-	Prefixed 12-	Prefixed 13-, A12-
1	101179	Nut - Hex 7/16-20	1	All		
2	101270	Washer - 7/16	1	All		
3	68280	Flywheel Assy	1	A,B,C,E		
	68282	Flywheel & Pawl Assy	1	D		
4	36144B	. Pin - Starter pawl	2	D		
5	24093	. Pawl - Starter	2	D		
6	50582	. Spring - Pawl	2	D		
7	103879	Key - Woodruff	1	All		
8	102289	Screw - Hex hd 10-24 x 3/4	3	All		
9	102189	Washer - #10	3	All		
10	104815	Screw - Hex hd 10-24 x 7/8 (SEMS)	1	All		
11	50671	Retainer - Breaker box cover	1	All		
12	50588A	Cover - Breaker box	1	All		
13	65584	Gasket - Breaker box	1	All		
14	55494	Screw Assy - Sealing	2	All		
	55492	. Washer - Sealing	2	All		
16	100251	Nut - Hex 8-32	1	All		
17	100057	Lockwasher - #8	1	All		
18	50381A	Insulator - Breaker terminal	1	All		
19	103672	Screw - Fil hd 8-32 x 1/2 (SEMS)	1	All		
20	50076A	Breaker Assy	1	All		
21	103672	Screw - Fil hd 8-32 x 1/2 (SEMS)	1	All		
22	50074	Condenser	1	A,B,C,D		
	61650	Condenser	1	E		
23	50664	Felt - Breaker box	1	All		
24	57126A	Cover - Crankcase	1	All		
25	101326	. Nut - Hex 10-24	2	All		
26	54184	. Wiper - Felt	1	All		
27	50663	. Seal - Oil	1	All		
28	104523	"O" Ring	1	All		
29	100824	Bearing, Ball	1	All		
30	103746	Locknut - Hex 3/8-24	1	All		
31	103879	Key - Woodruff	1	All		
32	65927	Nameplate	1	A,B		
	68900	Nameplate	1	C		
	84705	Nameplate	1	E		
33	104815	Screw - Hex hd 10-24 x 7/8 (SEMS)	2	All		
34	100352	Washer - #10	2	All		
35	51251	Lamination Assy	1	All		
36	51253	Retainer - Coil	2	All		
37	57643A	Kit - Coil	1	All		
38	50120	. Wire Assy - Spark plug	1	All		
39	55061	. Connector	1	All		
40	55060	. Boot	1	All		
41	55617	. Nipple	1	All		
42	101883	. Wire Assy - Ground	1	All		
43	57225	. Wire Assy - Primary	1	All		
44	83563	Spark Plug - 14 mm - 0.375 reach	1	A,B,C,D		
	84536	Spark Plug - 14 mm - 0.472 reach	1	E		
45	104534	Screw - Skt hd 10-24 x 1-13/32	6	All		
46	24236	Washer - Special	6	All		
47	63895	Head - Cylinder	1	A,B,C,D		
	84441	Head - Cylinder	1	E		
48	65577	Gasket - Cylinder head	1	A,B,C,E		

MC 91 Series

FIGURE 4. POWERHEAD ASSEMBLY (CONT.)

Item No.	Part Number	Description	Units Per Assy	Usable on Code
		Gasket - Cylinder head	1	D
49	69760	Piston Assy	1	A,B,C,E
	68898	Ring Set - Piston	1	A,B,C,E
50	47767	Bearing - Needle	2	A,B,C,D
51	101206	Bearing - Needle	2	E
	104519	Connecting Rod Assy	1	All
52	47903	Screw - Skt hd special	2	All
53	60210A	Roller - Needle	24	All
54	69891	Pin - Piston	1	A,B,C,D
55	62831	Pin - Piston	1	E
	69408	Crankshaft	1	All
56	48586C	Crankcase Assy	1	A,B
57	65913	Crankcase Assy	1	C,D
	68901	Crankcase Assy	1	E
	84325	Crankcase Assy	1	A,B
58	* 104128	Seal - Oil	1	C,D,E
	** 81949	Seal - Oil	1	All
	104858	Bearing - Needle	1	All
59	18556A	Retainer - Nut	4	All
60	101143	Nut - Hex 1/4-20	4	All
61	28053	Retainer - Nut	2	All
62	57063	Retainer - Nut	4	All
63	104255	Retainer - Nut	2	All
64	101326	Nut - Hex 10-24	8	All
65	110179	Plug - Expansion 1/2 in.	3	All
66	83374	Insert - Taplok	2	A,B,C,D
67	110196	Screw - Pan hd 8-32 x 7/16 s/t	2	A,B,C,D
68	65917	Cover - Boost port	1	A,B,C,D
69	68924	Gasket - Port cover	1	A,B,C,D
70				

* Rubber lip seal with garter spring. Install with lip of seal inward.

** Rubber lip seal with teflon (blue color) backing. Install with lip of seal outward.

MC 91 Series

ACCESSORIES

Part Number	Description	Usable on Code
MC 91 Series Usable on Code		
Model	MC 91	MC 91A
Letter	A	C
Serial Numbers	Without Prefix	10-
	11-	12-
	13-, A12-	
68899	Piston Assy - 0.005 in. oversize	All
66790	Ring Set - Piston 0.005 in. oversize	All
68897	Piston Assy - 0.010 in. oversize	All
47768	Ring set - Piston 0.010 in. oversize	All
13639A	Clutch, Drum, Bearing & Sprocket Assy - 10 tooth .	All
60315	Clutch Assy	All
48736A	Drum, Bearing & Sprocket Assy - 10 tooth	All
104460	Bearing - Needle	All
48737	Spacer - Sprocket	All
13638A	Clutch, Drum, Bearing & Sprocket Assy - 11 tooth .	All
60315	Clutch Assy	All
48734A	Drum, Bearing & Sprocket Assy - 11 tooth	All
104460	Bearing - Needle	All
48737	Spacer, Sprocket	All
13637A	Clutch, Drum, Bearing & Sprocket Assy - 12 tooth .	All
60315	Clutch Assy	All
48714A	Drum, Bearing & Sprocket Assy - 12 tooth	All
104460	Bearing - Needle	All
48737	Spacer - Sprocket	All
48637	Sprocket - 10 tooth	All
48638	Sprocket - 11 tooth	All
48639	Sprocket - 12 tooth	All
48711D	Kit - Rewind starter	All
48662	Kit - Engine mounting stud	All
68047	Kit - Piston pin & bearing tool	All
68959	Kit - Tuned exhaust (vertical)	All
68960	Kit - Tuned exhaust (horizontal)	All
65712	Guide - Timing	All
48609	Header - Exhaust	All
66793	Decal - McCulloch powered	All
66794	Decal - McCulloch	All
65946	Manual - Kart engine	All

The information contained in this Master Illustrated Parts List is based on original Illustrated Parts Lists, Engineering Records and the Master Parts Price List and is accurate to the best of our knowledge.

Each chain saw model is given a code letter. Whenever the code letter appears in the right hand column, the part is used on the engines of the model for which the code letter stands. When a part is used on all models covered in the Master Illustrated Parts List, the word "All" appears in the right-hand column instead of the code letters.

Names of parts have been checked and made to agree with the names given in the Master Parts Price List except in a very few cases where additional nomenclature was required.

The illustrations of the individual parts do not necessarily picture all the differences between parts with the same item number because the illustrations would be too complicated for use if they did. Instead, the illustration shows a representative part for each item number.



McCULLOCH



● MANUFACTURING ●

SALES ●

● SERVICE ●

McCULLOCH CORPORATION

6101 WEST CENTURY BLVD., LOS ANGELES, CALIFORNIA 90045

INTERNATIONAL DIVISIONS:

LOS ANGELES, CALIF.,

P. O. BOX 45466

HONG KONG, B. C. C.:

G. P. O. BOX 879

McCULLOCH OF CANADA LTD.

6338 VISCOUNT ROAD, MALTON, ONTARIO, CANADA

McCULLOCH OF EUROPE, N. V.

ANTOON SPINOYSTRAAT, 5, B-2800 MECHELEN, BELGIUM

McCULLOCH OF AUSTRALIA PTY., LTD.

P.O. BOX 223, SEVEN HILLS, N.S.W. 2147, AUSTRALIA

MC91M/C Engine

Model 400167D Serial Numbers Prefixed 10-,11

ILLUSTRATED PARTS LIST

March 1973

The policy of McCulloch Corporation is one of continual improvement in design, manufacturing and engineering advancements wherever possible to assure still finer two-cycle power tools. Hence, specifications, equipment, colors, design and manufacturer's suggested list prices are subject to change without notice and the McCulloch Corporation reserves the right to make such changes without prior notification or obligation to backfit or supply backfit components for units previously shipped from the factory.

	Pag
Figure 1. General	2
Figure 2. Carburetor Assembly	4
Figure 3. Powerhead Assembly	6



C91M/C

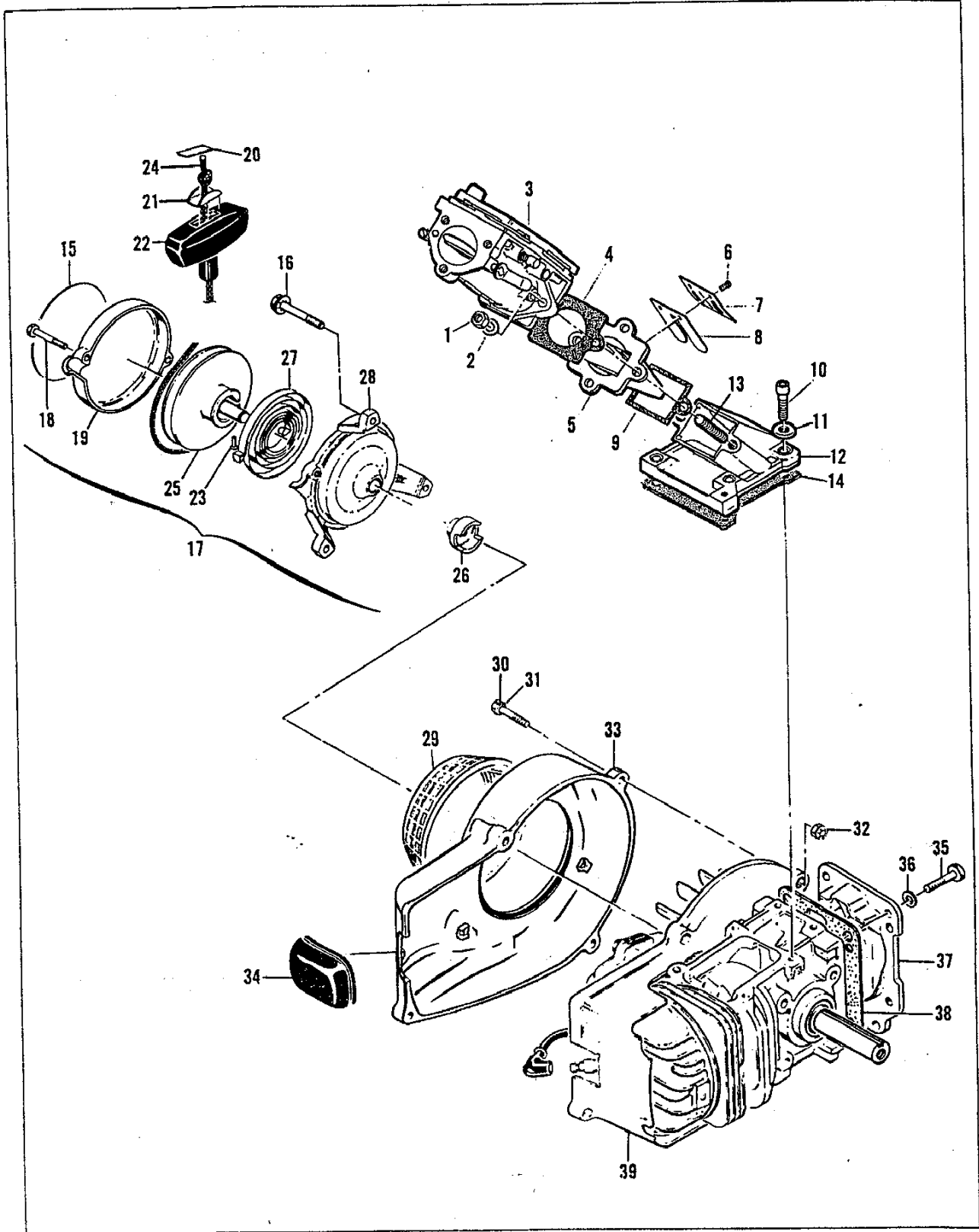


Figure 1. General

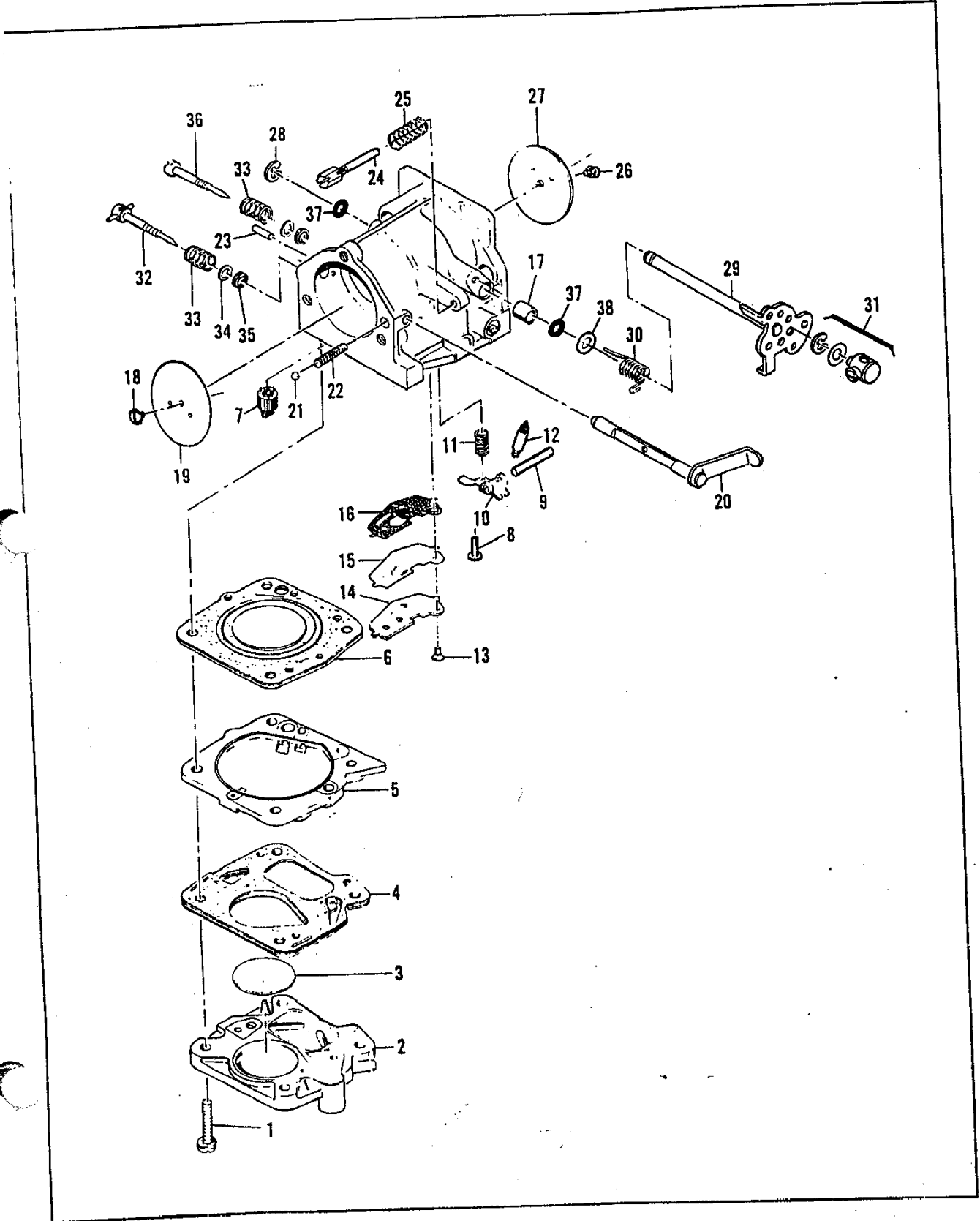
MC 91M/C

Figure 1. General

Item No.	Part Number	Description	Units Per Assy
1	100249	Nut - Hex 1/4-28	2
2	100153	Lockwasher - 1/4	2
3		Carburetor Assy (See Figure 2)	
4	65939	Gasket - Carburetor	1
5	68091	Valve Assy - Reed Block	1
6	101987	. Screw - Rd hd 6-32 x 1/4	4
7	65904	. Plate - Clamp	2
8	68074	. Valve - Reed	2
9	68894	Gasket - Reed block	1
10	110439	Screw - Skt hd 10-24 x 1	4
11	24236	Washer - Special	4
12	88637	Manifold Assy - Carburetor	1
13	47868	. Stud - Manifold	2
14	69526	Gasket - Manifold	1
15	88642	Nameplate	1
16	104815	Screw - Hex hd 10-24 x 7/8 (SEMS)	3
17	88636	Starter Assy	1
18	104396	. Screw - Pan hd 10-24 x 3/4	2
19	89354	. Cover - Starter	1

Item No.	Part Number	Description	Units Per Assy
20	57232	. Plate - Handle	1
21	57231	. Cup - Handle	1
22	57230	. Handle - Starter	1
23	101136	. Rivet - Rope	1
24	28716	. Rope - Starter	1
25	57792	. Drum - Starter	1
26	57790	. Ratchet - Starter	1
27	51665	. Spring - Rewind	1
28	89353	. Base - Starter	1
29	88635	Guard - Flywheel	1
30	102760	Screw - Hex hd 10-24 x 1	4
31	110264	Washer - #10	4
32	101326	Nut - Hex 10-24	2
33	88632	Housing - Fan	1
34	86387	Cover Assy - Spark plug	1
35	105187	Screw - Skt hd 1/4-20 x 1-1/8	4
36	13643	Washer - Special	4
37	67254	Cover - Crankcase bottom	1
38	65654	Gasket - Cover	1
39		Powerhead Assy (See Figure 3)	

C 91M/C



MC 91M/C

FIGURE 2. CARBURETOR ASSEMBLY

Item No.	Part Number	Description	Units Per Assy
1	89664	Carburetor Assy	1
	104520	. Screw - Pan hd 10-24 x 7/8 (SEMS)	4
2	84941	. Body - Fuel pump	1
3	48911	. Filter - Fuel	1
4	57274B	. Diaphragm - Fuel pump	1
5	89657	. Plate - Diaphragm	1
6	66092	. Diaphragm - Metering	1
7	53766A	. Valve - Check	1
8	104728	. Screw - Lever pin	1
9	104305	. Pin - Lever	1
10	84317	. Lever - Inlet	1
11	57172	. Spring - Lever	1
12	83753	. Needle - Inlet valve	1
13	84942	. Screw - Circuit plate	3
14	84938	. Plate - Circuit	1
15	84944	. Diaphragm	1
16	88843	. Gasket - Circuit plate	1
17	55062A	. Bushing - Body	2
18	104814	. Screw - Pan hd 4-40 x 1/4 (SEMS)	1
19	65934	. Plate - Choke	1

Item No.	Part Number	Description	Units Per Assy
20	89094	. Shaft Assy - Choke	1
21	89652	. Ball - Choke detent	1
22	52930	. Spring - Choke detent	1
23	101796	. Pin - Choke plate	1
24	89655	. Screw - Idle speed	1
25	51705	. Spring - Speed screw	1
26	104814	. Screw - Pan hd 4-40 x 1/4 (SEMS)	1
27	65934	. Plate - Throttle	1
28	68211	. Retainer - "C" Ring	1
29	89654	. Shaft Assy - Throttle	1
30	89656	. Spring - Throttle return	1
31	88844	. Swivel Assy - Throttle shaft*	1
32	84940	. Needle - High speed	1
33	89665	. Spring - Needle	2
34	52937	. Washer - Packing	2
35	88106	. Ring - Packing	2
36	84939	. Needle - Idle	1
37	89660	. "O" Ring	2
38	89659	. Washer - Nylon	1
	89658	Repair Kit	

*Swivel on replacement carburetors may require relocation on the throttle lever as illustrated.

AC91M/C

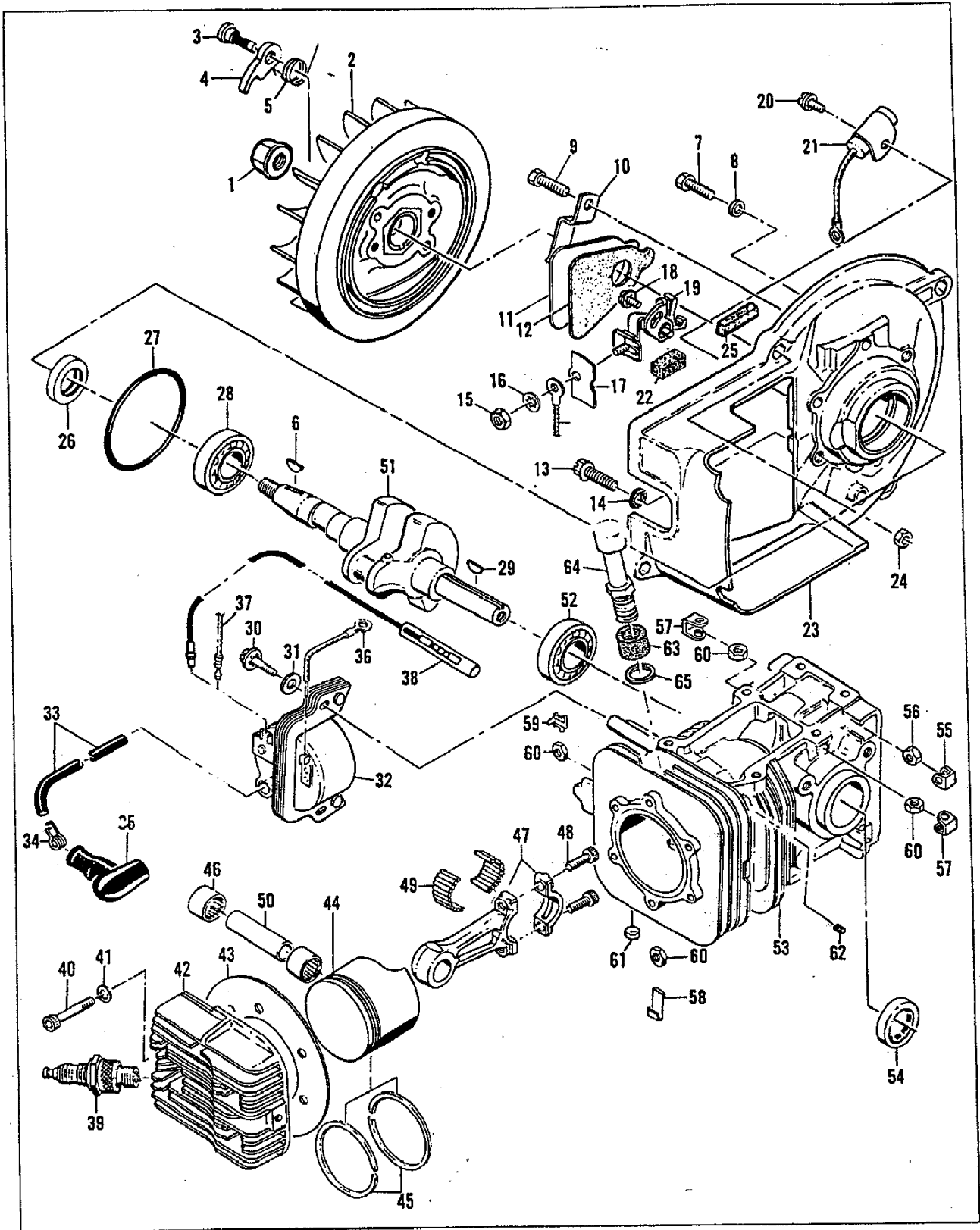


Figure 3. Powerhead

Figure 3. Powerhead

Item No.	Part Number	Description	Units Per Assy
1	110655	Nut - Hex 7/16 -20	1
2	68282	Flywheel & Pawl Assy	1
3	36144B	. Pin - Starter pawl	2
4	24093	. Pawl - Starter	2
5	66351	. Spring - Pawl	2
6	103879	Key - Woodruff	1
7	102289	Screw - Hex hd 10-24 x 3/4	3
8	102189	Washer - #10	3
9	104815	Screw - Hex hd 10-24 x 7/8 (SEMS)	1
10	50671	Retainer - Breaker box cover	1
11	50588A	Cover - Breaker box	1
12	65584	Gasket - Breaker box	1
13	55494	Screw Assy - Sealing	2
14	55492	. Washer - Sealing	2
15	100251	Nut - Hex 8-32	1
16	100057	Lockwasher - #8	1
17	50381A	Insulator - Breaker terminal	1
18	103672	Screw - Fil hd 8-32 x 1/2 (SEMS)	1
19	50076A	Breaker Assy	1
20	103672	Screw - Fil hd 8-32 x 1/2 (SEMS)	1
21	85358	Condenser	1
22	50664	Felt - Breaker box	1
23	88628	Cover - Crankcase	1
24	101326	Nut - Hex 10-24	2
25	54184	Wiper - Felt	1
26	89335	Seal - Oil	1
27	104523	"O" Ring	1
28	100824	Bearing - Ball	1
29	103879	Key - Woodruff	1
30	104815	Screw - Hex hd 10-24 x 7/8 (SEMS)	2
31	100352	Washer - #10	2

Item No.	Part Number	Description	Units Per Assy
32	86413	Coil & Lamination Assy	1
33	50120	. Wire Assy - Spark plug	1
34	55061	. . Connector	1
35	55060	. . Boot	1
36	101883	. Wire Assy - Ground	1
37	57225	Wire Assy - Primary	1
38	86131	Wire Assy - Kill switch	1
39	84536	Spark Plug - 14 mm, 1/2 in. reach	1
40	104534	Screw - Skt hd 10-24 x 1-13/32	6
41	24236	Washer - Special	6
42	87160	Head - Cylinder	1
43	47835	Gasket - Cylinder head	1
44	89355	Piston Assy	1
45	89286	. Ring Set - Piston	1
46	104519	. Bearing - Needle	2
47	47903	Connecting Rod Assy	1
48	60210A	. Screw - Skt hd special	2
49	69891	. Roller - Needle	24
50	69408	Pin - Piston	1
51	89140	Crankshaft	1
52	89128	Bearing - Ball	1
53	89391	Crankcase Assy	1
54	110884	. Seal - Oil	1
55	18556A	. Retainer - Nut	4
56	101143	. Nut - Hex 1/4-20	4
57	28053	. Retainer - Nut	2
58	57063	. Retainer - Nut	4
59	104255	. Retainer - Nut	2
60	101326	. Nut - Hex 10-24	8
61	110685	. Plug - Cup	3
62	83374	. Insert - Taplok	2
63	88800	Filter - DSP	1
64	87866	Valve - DSP	1
65	85505	Washer - Valve	1

ACCESSORIES

Part Number	Description
68899	Piston Assy - 0.005 in. Oversize
89132	Ring Set - 0.005 in. Oversize
68897	Piston Assy - 0.010 in. Oversize
89133	Ring Set - 0.010 in. Oversize
87940	Piston Assy - 0.020 in. Oversize
89134	Ring Set - 0.020 in. Oversize
87938	Piston Assy - 0.030 in. Oversize
89135	Ring Set - 0.030 in. Oversize
85183	High Capacity Fuel Pump
68280	Flywheel - 5° Advance
85162	Alcohol Carburetor
68047	Blind Piston Tool Kit

Part Number	Description
59549	T-Handle Allen Wrench
85583	Splined Socket Key
65712	Timing Guide
51787	Flywheel Puller
67537	Loctite - 10 cc
62849	Pressure Test Tool
67218	Intake Adapter Plate
62862	Exhaust Adapter Plate
84914	Spark Plug - Ch L88
84915	Spark Plug - Ch L81
84916	Spark Plug - Ch L87
84919	Spark Plug - Ch L84