



**YAMAHA**

**GENUINE**

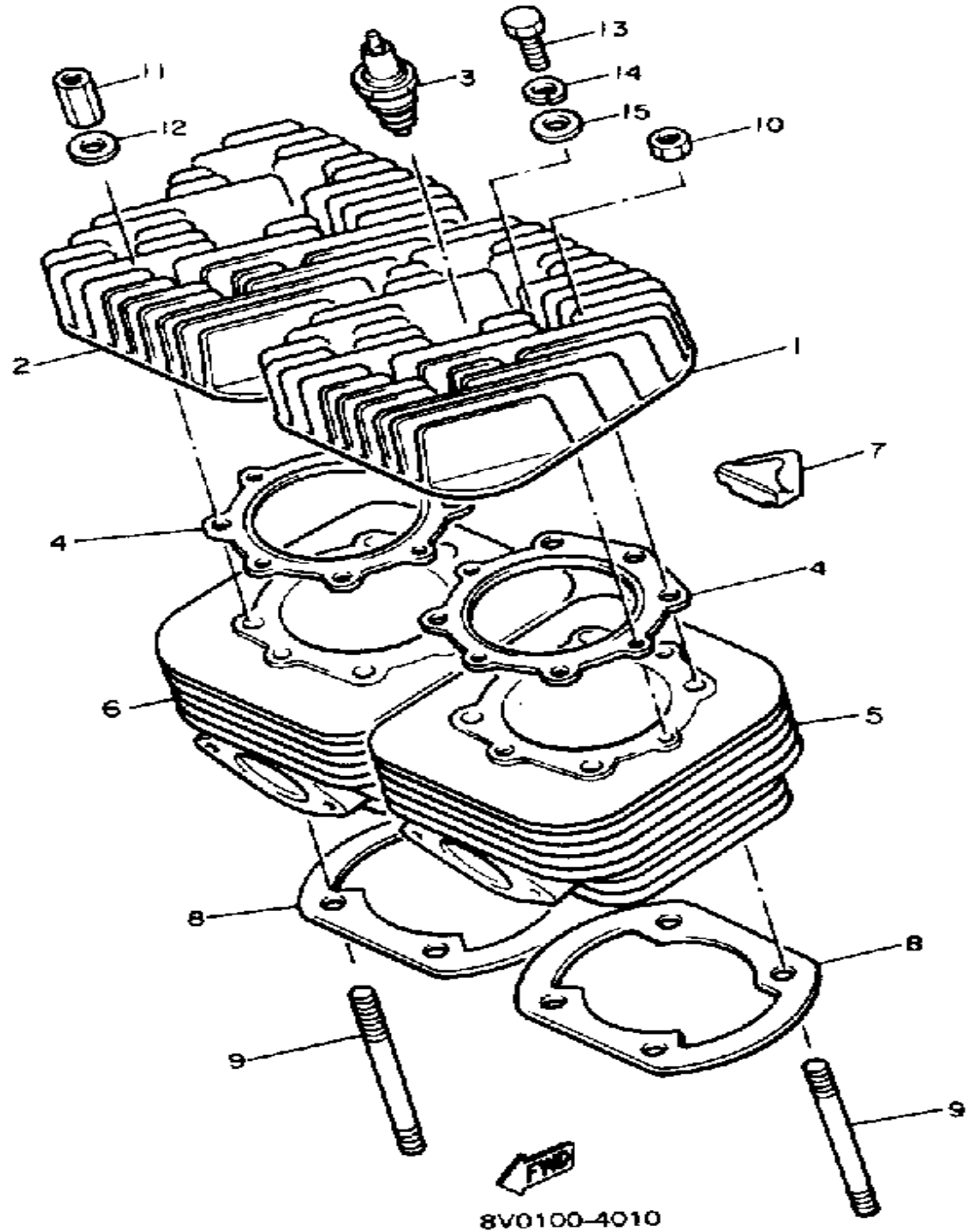
**PARTS CATALOGUE**

**SNOWMOBILE**

Property of [www.SmallEngineDiscount.com](http://www.SmallEngineDiscount.com) - Not for Resale

**A1**

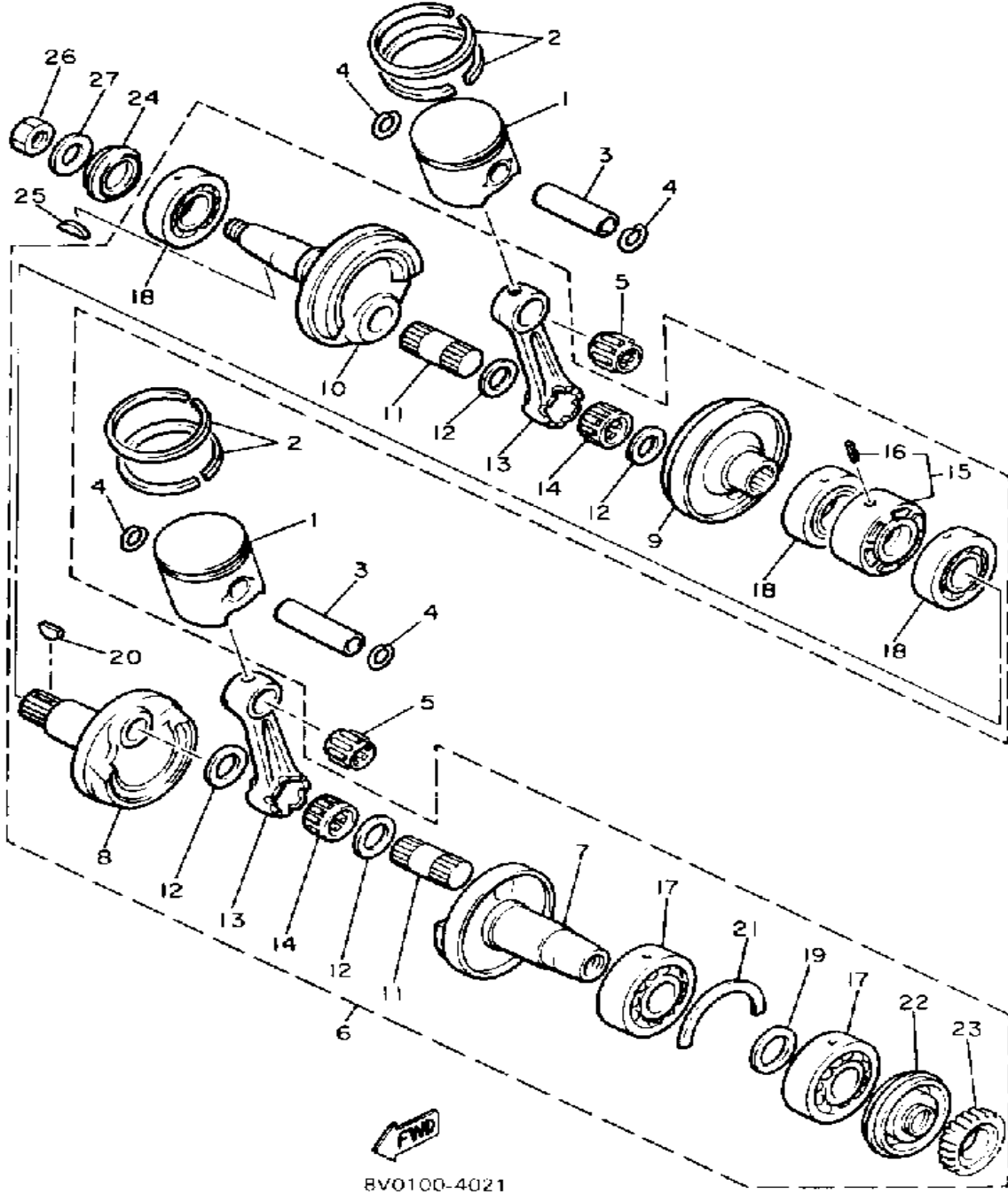
# CYLINDER



Ref. No.	Part Number	Description	Qty	Remarks
1	8V0-11111-01-00	HEAD, CYLINDER 1 .....	1	
2	8V0-11121-01-00	HEAD, CYLINDER 2 .....	1	
3	NGK-BR9ES-00-00	PLUG, SPARK .....	2	
4	8V0-11181-02-00	GASKET, CYLINDER HEAD 1 (8V0-11181-02) .....	2	
5	8V0-11311-01-00	CYLINDER 1 .....	1	
6	8V0-11321-01-00	CYLINDER 2 .....	1	
7	8V0-11355-00-00	SEAL, CYLINDER 1 .....	1	
8	88F-11351-00-00	GASKET, CYLINDER .....	2	
9	95612-08740-00	BOLT, STUD .....	8	
10	95701-08500-00	NUT, FLANGE .....	6	
11	90179-08269-00	NUT .....	2	
12	90201-08100-00	WASHER, PLATE .....	2	
13	97313-06040-00	BOLT, HEXAGON .....	8	
14	92995-06100-00	WASHER, SPRING .....	8	
15	92990-06600-00	WASHER, PLATE .....	8	

Property of [www.SmallEngineDiscount.com](http://www.SmallEngineDiscount.com) - Not for Resale

# CRANKSHAFT - PISTON



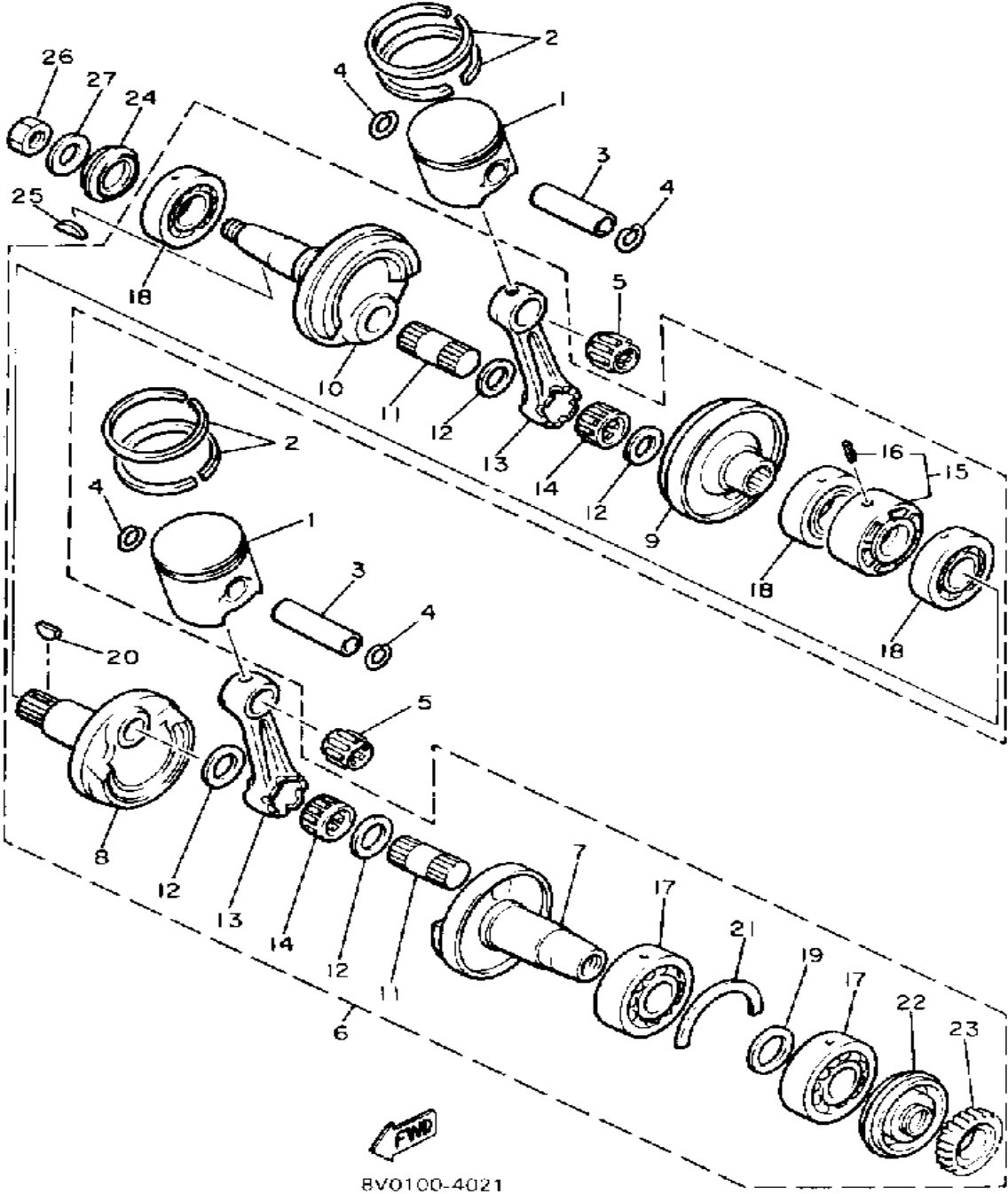
BV0100-4021

Ref. No.	Part Number	Description	Qty	Remarks
1	8V0-11631-00-96	PISTON (STD)	2	U.R.
	8V0-11635-00-00	PISTON (0.25MM O/S)	2	ALT. PART
	8V0-11636-00-00	PISTON (0.50MM O/S)	2	ALT. PART
2	8V0-11601-00-00	PISTON RING SET (STD)	2	U.R. STD
	8V0-11601-10-00	PISTON RING SET (0.25MM O/S)	2	ALT. PART
	8V0-11601-20-00	PISTON RING SET (0.50MM O/S)	2	ALT. PART
3	818-11633-00-00	PIN, PISTON	2	
4	93450-19052-00	CIRCLIP	4	
5	93310-218A6-00	BEARING	2	
6	8V0-11400-02-00	CRANKSHAFT ASSEMBLY	1	
7	8V0-11412-00-00	. CRANK 1	1	
8	8V0-11422-00-00	. CRANK 2	1	
9	8V0-11432-00-00	. CRANK 3	1	
10	8V0-11442-00-00	. CRANK 4	1	
11	857-11681-00-00	. PIN, CRANK 1	2	
12	90209-24073-00	. WASHER	4	
13	8V0-11651-00-00	. ROD, CONNECTING	2	
14	93310-424L8-00	. BEARING	2	
15	8V0-11515-01-00	. SEAL, LABYRINTH 1	1	
16	91609-30010-00	. PIN, SPRING	1	
17	93306-30626-00	. BEARING	2	
18	93306-20633-00	. BEARING	3	
19	90201-327F7-00	. WASHER, PLATE	1	
20	90280-05014-00	. KEY, WOODRUFF	1	
21	93450-78091-00	. CIRCLIP	1	
22	93103-32151-00	. OIL SEAL	1	
23	8K2-13178-00-00	. GEAR, PUMP DRIVE	1	

CONTINUED ON NEXT FRAME ►

Property of [www.SmallEngineDiscount.com](http://www.SmallEngineDiscount.com) - Not for Resale

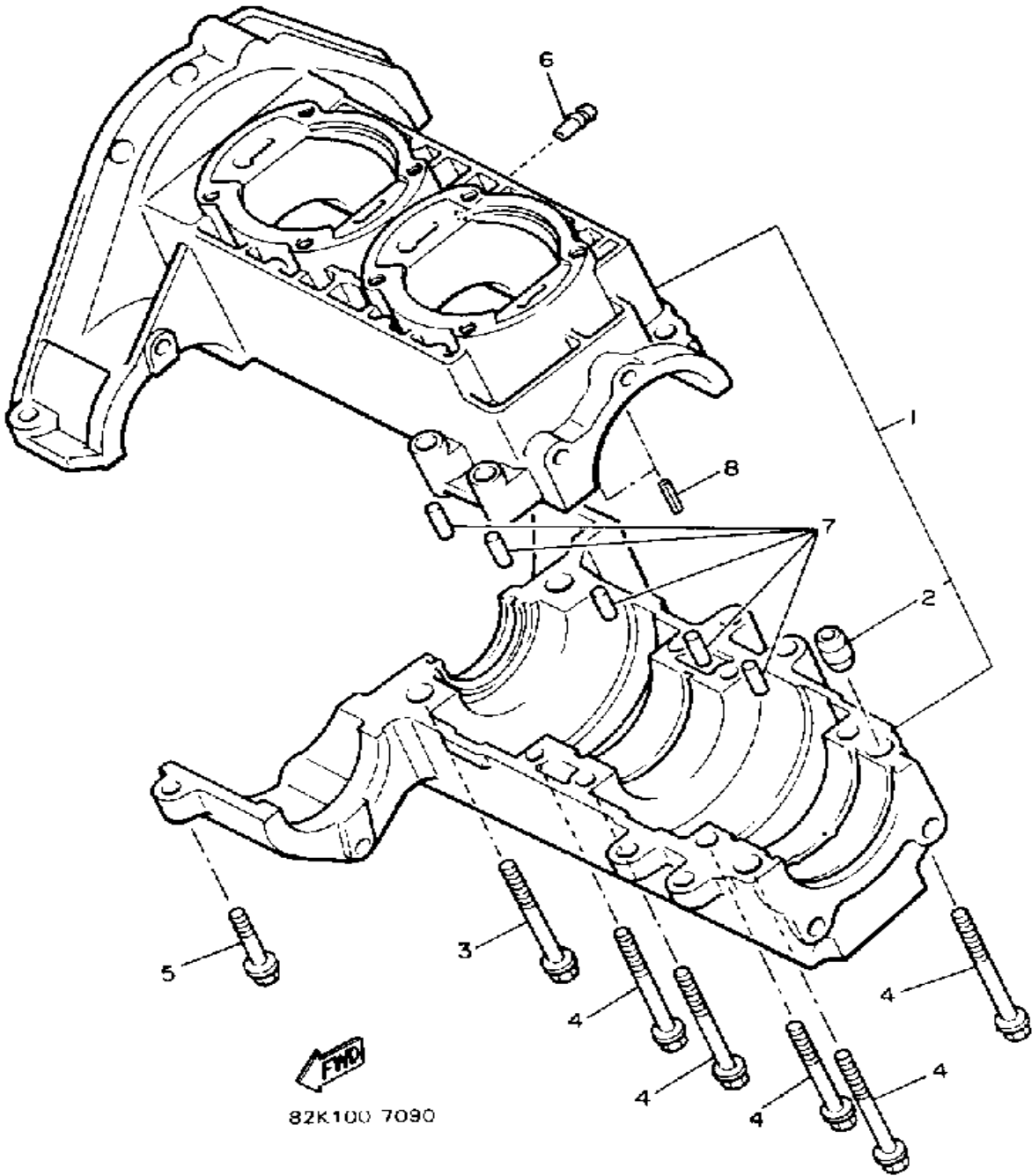
# CRANKSHAFT - PISTON



Ref. No.	Part Number	Description	Qty	Remarks
24	93103-32155-00	OIL SEAL .....	1	
25	90280-05014-00	KEY, WOODRUFF .....	1	
26	90170-16182-00	NUT .....	1	
27	92901-16100-00	WASHER, SPRING .....	1	

Property of [www.SmallEngineDiscount.com](http://www.SmallEngineDiscount.com) - Not for Resale

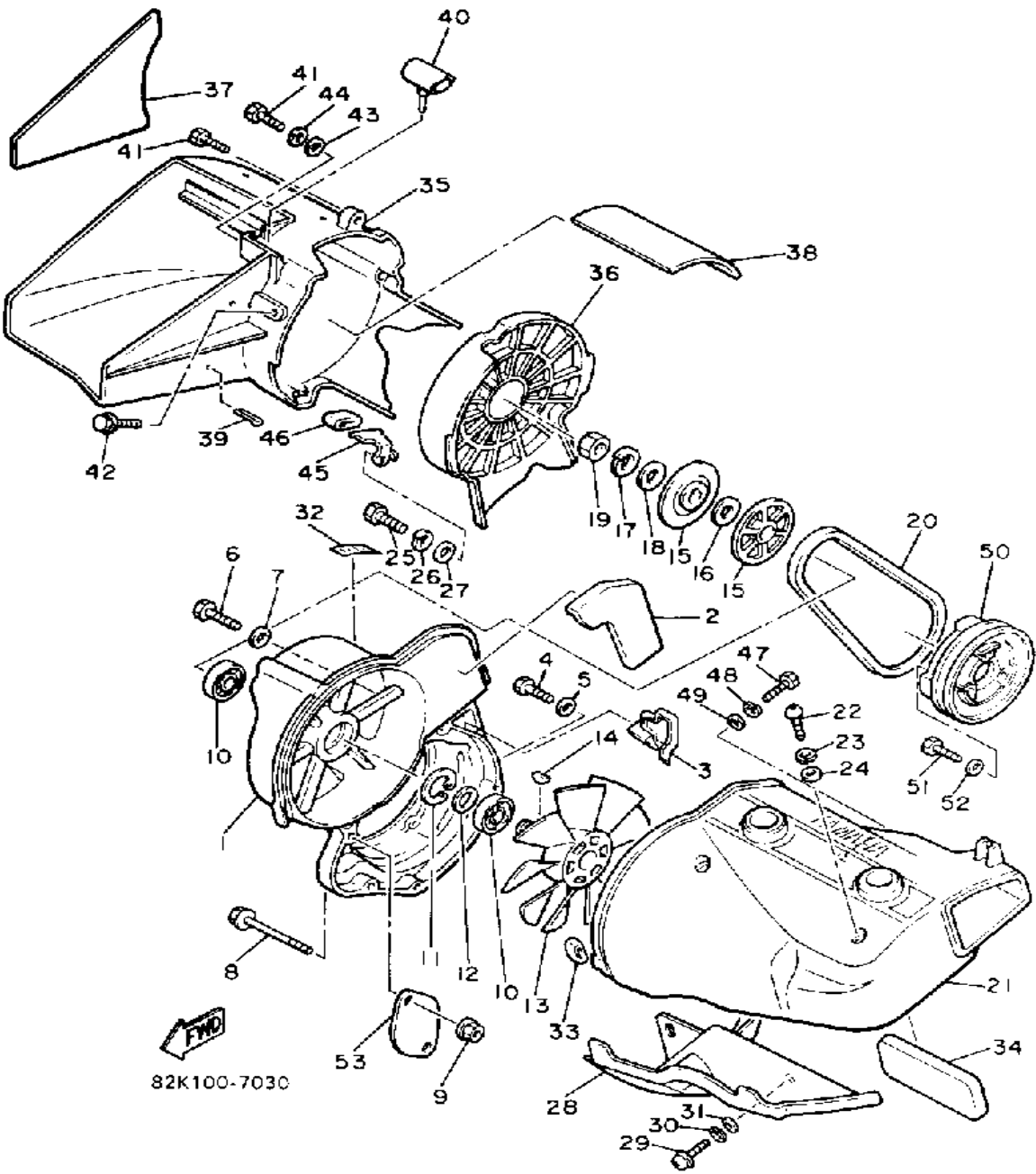
# CRANKCASE



Ref. No.	Part Number	Description	Qty	Remarks
1	8V0-15100-01-00	CRANKCASE ASSEMBLY	1	
2	99510-12016-00	. PIN, DOWEL	2	
3	95811-08070-00	BOLT, FLANGE	1	
4	95811-08065-00	BOLT, FLANGE	9	
5	95811-06025-00	BOLT, FLANGE	1	
6	J38-11116-00-00	JOINT, BREATHER	1	
7	93604-07141-00	PIN, DOWEL	3	
8	91609-30006-00	PIN, SPRING	2	

Property of [www.SmallEngineDiscount.com](http://www.SmallEngineDiscount.com) - Not for Resale

# AIR SHROUD - FAN

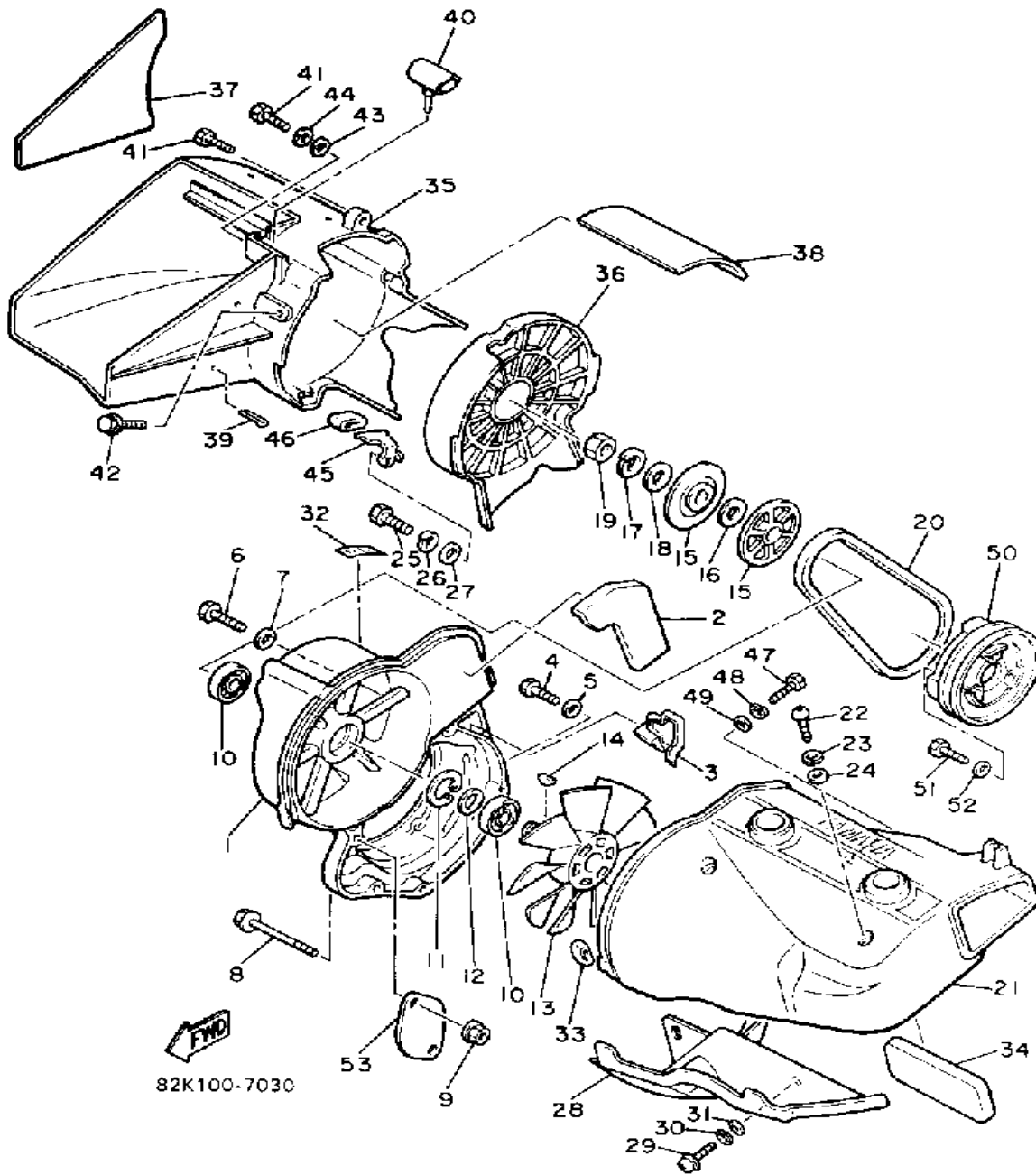


Ref. No.	Part Number	Description	Qty	Remarks
1	88F-12621-01-00	CASE, FAN .....	1	
2	8Y0-12679-00-00	DAMPER, SHROUD 6 .....	1	
3	80L-12658-00-00	DAMPER, AIR SHROUD .....	1	
4	97313-08035-00	BOLT, HEXAGON .....	2	
5	92990-08600-00	WASHER, PLATE .....	2	
6	97313-08050-00	BOLT, HEXAGON (90101-08125) .....	1	
7	92990-08600-00	WASHER, PLATE .....	1	
8	95811-08090-00	BOLT, FLANGE (95822-08090) .....	2	
9	95701-08500-00	NUT, FLANGE .....	2	
10	93306-20331-00	BEARING .....	2	
11	93420-40064-00	CIRCLIP .....	1	
12	90201-17713-00	WASHER, PLATE .....	1	
13	8H8-12611-01-00	FAN .....	1	
14	90280-05014-00	KEY, WOODRUFF .....	1	
15	8H8-12619-01-00	PULLEY 2 .....	2	
16	90214-17017-00	WASHER, CLAW (0.5T) .....	1	U.R.
	90214-17018-00	WASHER, CLAW (1.0T) .....	1	U.R.
17	92901-16100-00	WASHER, SPRING .....	1	
18	90201-17713-00	WASHER, PLATE .....	1	
19	90170-16182-00	NUT .....	1	
20	8V0-12612-00-00	BELT .....	1	
21	8V0-12651-02-00	AIR SHROUD, CYLINDER 1 ...	1	
22	98506-06016-00	SCREW, PANHEAD .....	2	
23	92906-06100-00	WASHER, SPRING .....	2	
24	92906-06600-00	WASHER .....	2	
25	97016-06016-00	BOLT .....	1	
26	92906-06100-00	WASHER, SPRING .....	1	
27	92906-06600-00	WASHER .....	1	
28	8V0-12652-00-00	AIR SHROUD, CYLINDER 2 ...	1	

CONTINUED ON NEXT FRAME ►

Property of [www.SmallEngineDiscount.com](http://www.SmallEngineDiscount.com) - Not for Resale

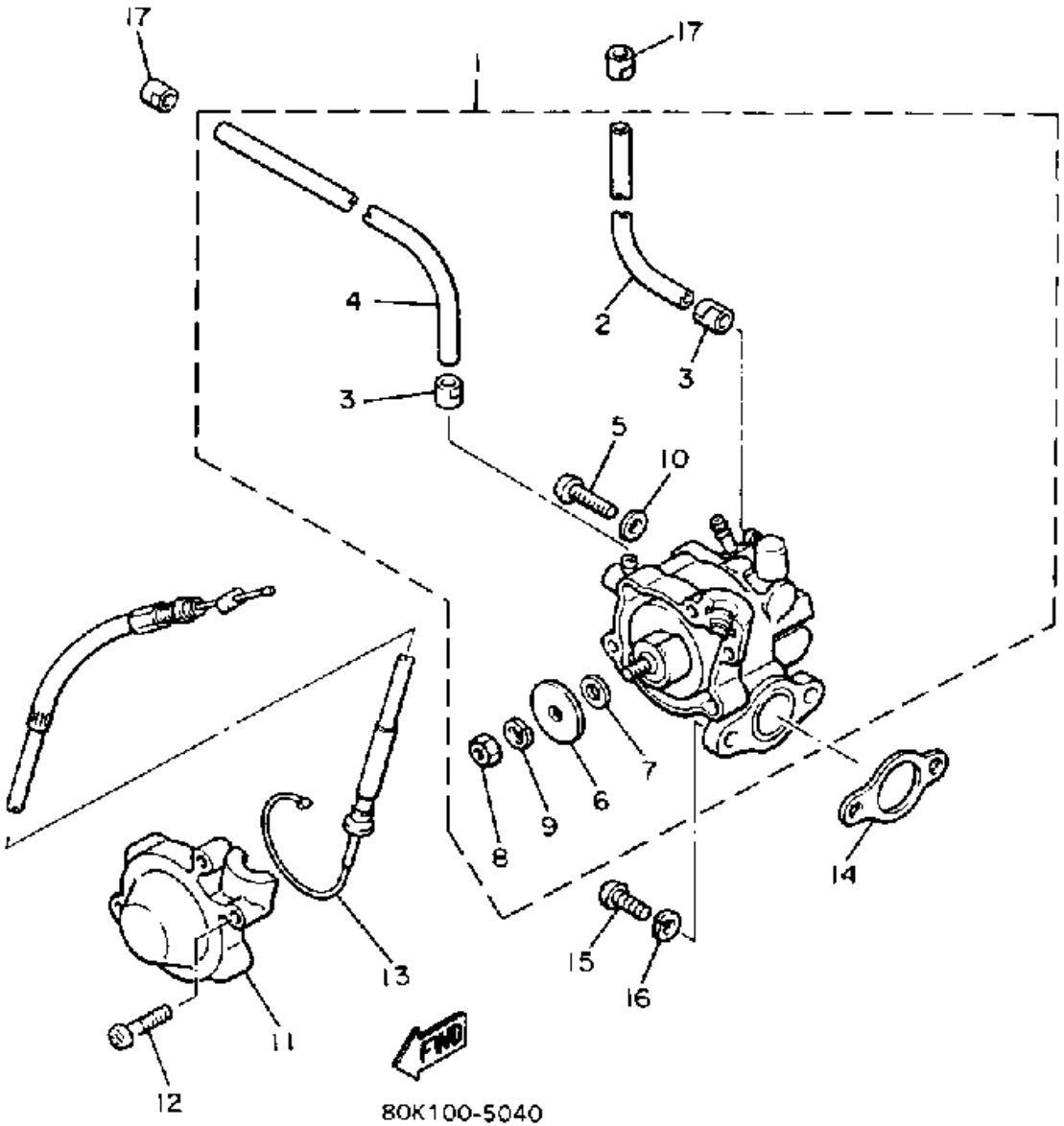
# AIR SHROUD - FAN



Ref. No.	Part Number	Description	Qty	Remarks
29	98506-06016-00	SCREW, PANHEAD	2	
30	92906-06100-00	WASHER, SPRING	2	
31	92906-06600-00	WASHER	2	
32	8K4-12628-00-00	LABEL, CAUTION	1	
33	8H8-12658-00-00	DAMPER, AIR SHROUD 1	2	
34	34L-14425-00-00	DAMPER AIR SHROUD 2	1	
35	8V0-12661-04-00	DUCT	1	
36	80L-12616-00-00	COVER, FAN CASE	1	
37	8V0-12685-01-00	DAMPER, DUCT 2	1	
38	8V0-12686-00-00	DAMPER, DUCT 3	1	
39	91401-16030-00	PIN, COTTER	6	
40	81H-12667-00-00	BUSH, RUBBER	1	
41	90110-06138-00	BOLT, HEX SKT HEAD	3	
42	90105-06434-00	BOLT, WASHER BASED	1	
43	90201-06643-00	WASHER, PLATE	2	
44	92906-06100-00	WASHER, SPRING	2	
45	8V0-12637-00-00	STAY 1	1	
46	8H8-12658-00-00	DAMPER, AIR SHROUD 1	1	
47	97016-06016-00	BOLT	1	
48	92906-06100-00	WASHER, SPRING	1	
49	92906-06600-00	WASHER	1	
50	8V0-15723-00-00	PULLEY, STARTER	1	
51	97312-08025-00	BOLT (97012-08025)	3	
52	92990-08600-00	WASHER, PLATE	3	
53	8K4-12633-00-00	PLATE	1	

Property of [www.SmallEngineDiscount.com](http://www.SmallEngineDiscount.com) - Not for Resale

# OIL PUMP

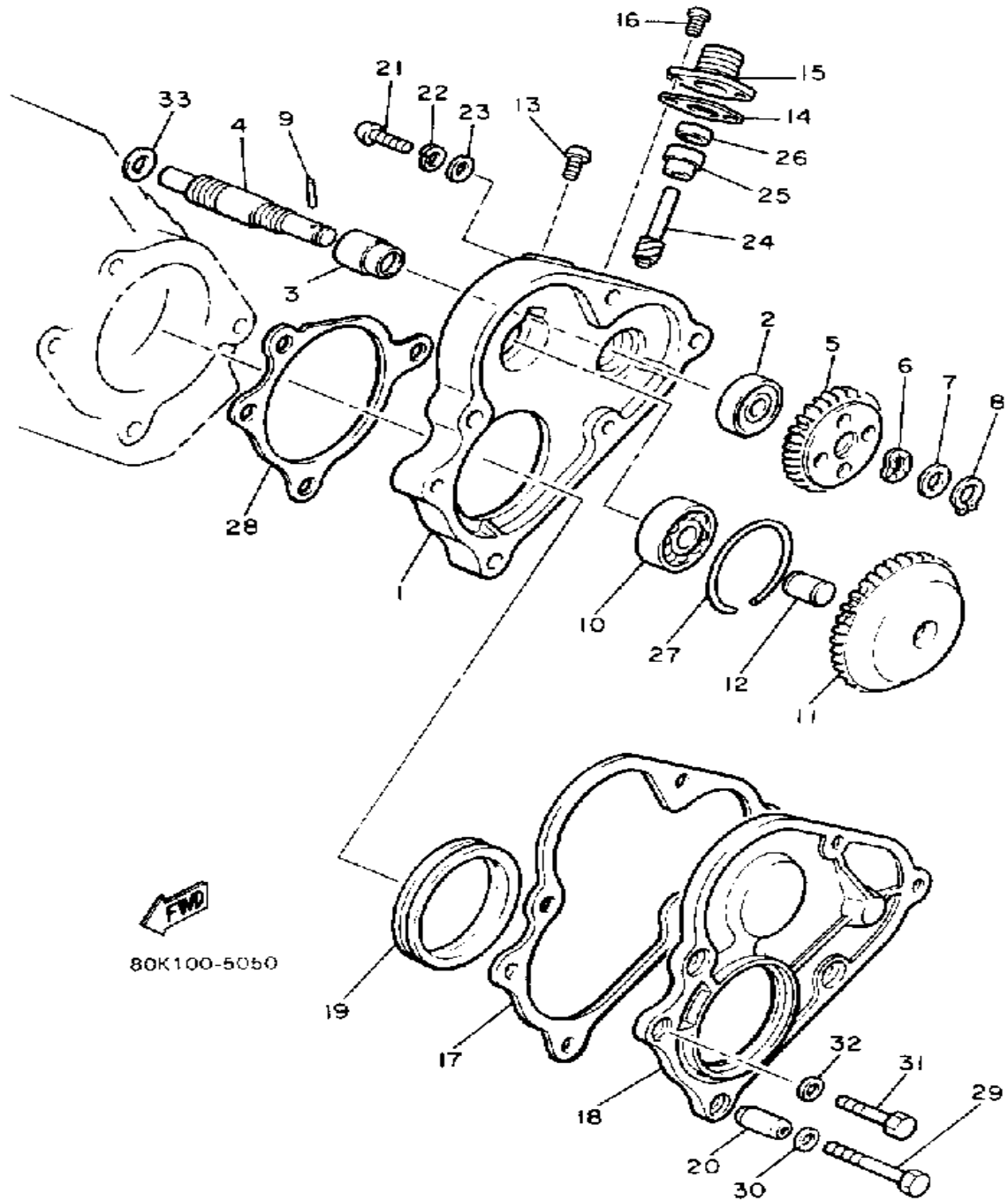


Ref. No.	Part Number	Description	Qty	Remarks
1	8V0-13101-01-00	OIL PUMP ASSEMBLY	1	
2	90446-08210-00	. HOSE	1	
3	90468-02025-00	. CLIP	2	
4	91A30-03020-00	. TUBE, FLEXIBLE VINYL	1	
5	98902-04020-00	. SCREW, BIND	1	
6	137-13138-01-00	. PLATE, ADJUSTING	1	
7	137-13137-00-03	. SHIM (0.3T)	1	U.R.
	137-13137-00-05	. SHIM (0.5T)	1	U.R.
	137-13137-00-10	. SHIM (1.0T)	1	U.R.
8	95380-05600-00	. NUT	1	
9	92990-05100-00	. WASHER, SPRING	1	
10	90430-04004-00	. GASKET	1	
11	8A5-13146-01-00	COVER, ADJUST PULLEY	1	
12	98506-04018-00	SCREW, PAN HEAD	3	
13	8V0-26320-01-00	PUMP CABLE ASSEMBLY	1	
14	3MT-13116-00-00	GASKET, PUMP CASE (8Y0-13116-00)	1	
15	98580-06016-00	SCREW, PAN HEAD	2	
16	92990-05100-00	WASHER, SPRING	2	
17	90468-02025-00	CLIP	2	

Property of [www.SmallEngineDiscount.com](http://www.SmallEngineDiscount.com) - Not for Resale



# PUMP DRIVE - GEAR

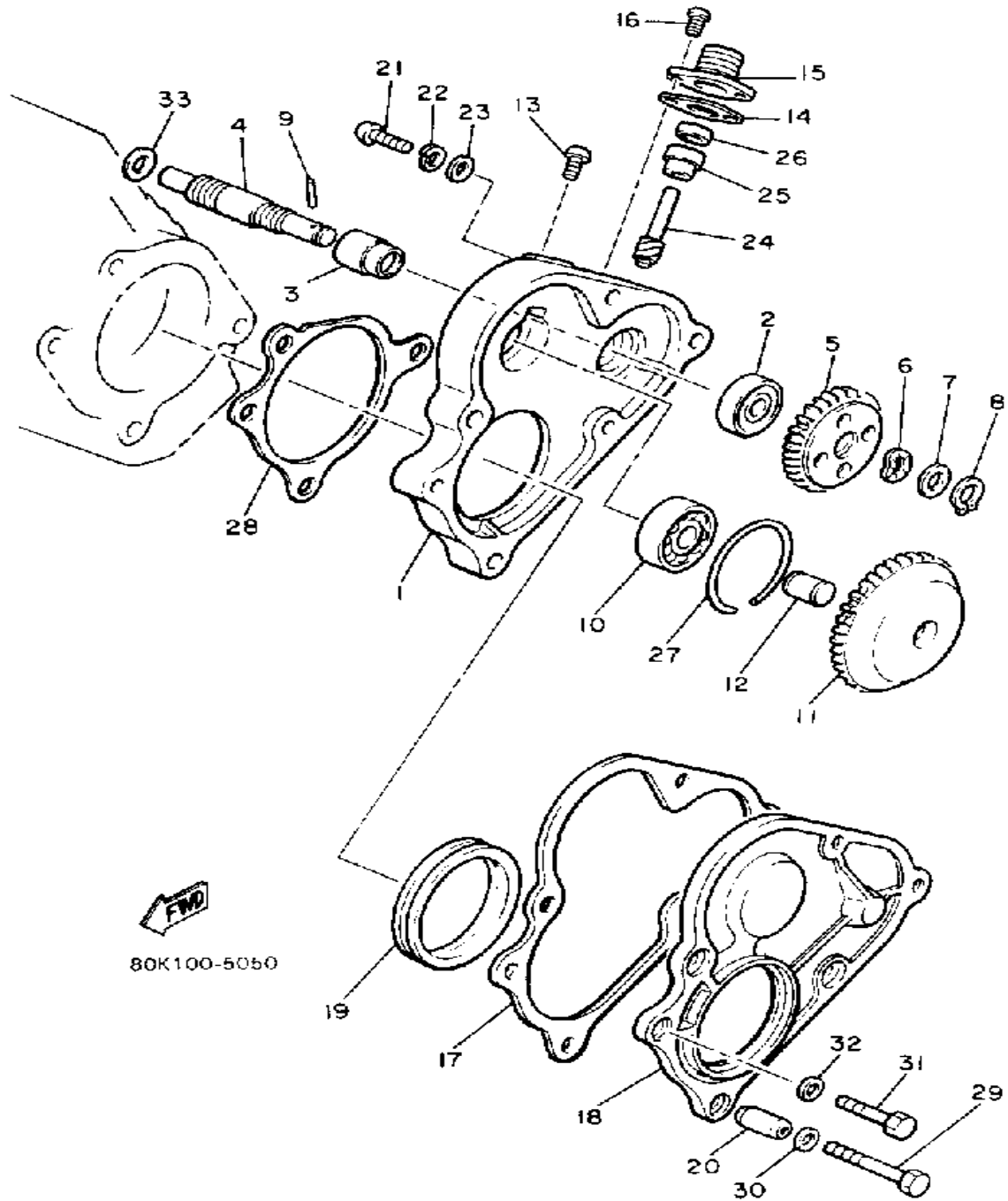


Ref. No.	Part Number	Description	Qty	Remarks
1	8V0-15416-01-00	COVER, OIL PUMP	1	
2	93101-10090-00	OIL SEAL	1	
3	821-13176-00-00	METAL, WORM SHAFT OUTER	1	
4	879-13175-00-00	SHAFT, WORM	1	
5	821-13188-00-00	GEAR, DRIVE (32T)	1	
6	90206-11016-00	WASHER, WAVE	1	
7	137-13148-00-00	PLATE, CAM THRUST	1	
8	99009-10400-00	CIRCLIP	1	
9	93603-22028-00	PIN, DOWEL	1	
10	93306-00003-00	BEARING (B6000RS)	1	
11	8V0-13179-00-00	GEAR, IDLE	1	
12	8V0-13342-00-00	SHAFT, IDLE GEAR	1	
13	98580-06012-00	SCREW, PAN HEAD	1	
14	821-17818-02-00	GASKET	1	
15	821-17819-00-00	CAP, HOUSING	1	
16	98580-05010-00	SCREW, PAN HEAD	2	
17	8V0-15466-02-00	GASKET 2	1	
18	8V0-15426-01-00	COVER, OIL PUMP 2	1	
19	93104-52079-00	OIL SEAL	1	
20	91810-18022-00	PIN, DOWEL	2	
21	98580-05020-00	SCREW, PAN HEAD	2	
22	92990-05100-00	WASHER, SPRING	2	
23	92901-05600-00	WASHER, PLATE	2	
24	813-17841-00-00	GEAR, DRIVEN (10T)	1	
25	821-17843-00-00	BUSH, DRIVEN GEAR OUTER	1	
26	93104-06033-00	OIL SEAL	1	
27	93450-28098-00	CIRCLIP	1	
28	8V0-15456-03-00	GASKET, OIL PUMP COVER 1	1	
29	97013-06035-00	BOLT	2	

CONTINUED ON NEXT FRAME ➤

Property of [www.SmallEngineDiscount.com](http://www.SmallEngineDiscount.com) - Not for Resale

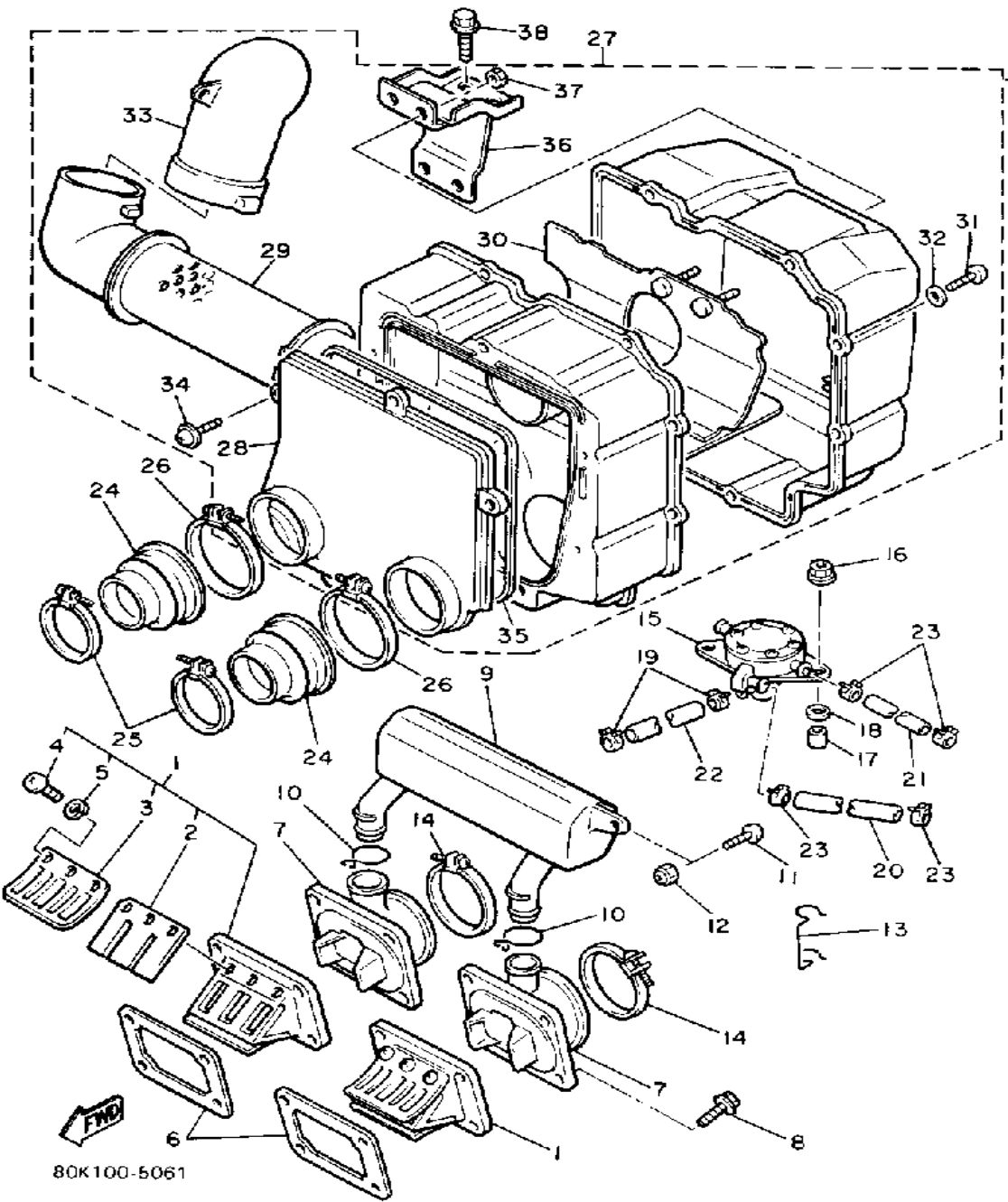
# PUMP DRIVE - GEAR



Ref. No.	Part Number	Description	Qty	Remarks
30	92990-06600-00	WASHER, PLATE .....	2	
31	97011-06025-00	BOLT (97001-06025) .....	2	
32	92990-06600-00	WASHER, PLATE .....	2	
33	90201-08624-00	WASHER, PLATE .....	1	

Property of [www.SmallEngineDiscount.com](http://www.SmallEngineDiscount.com) - Not for Resale

# AIR CLEANER

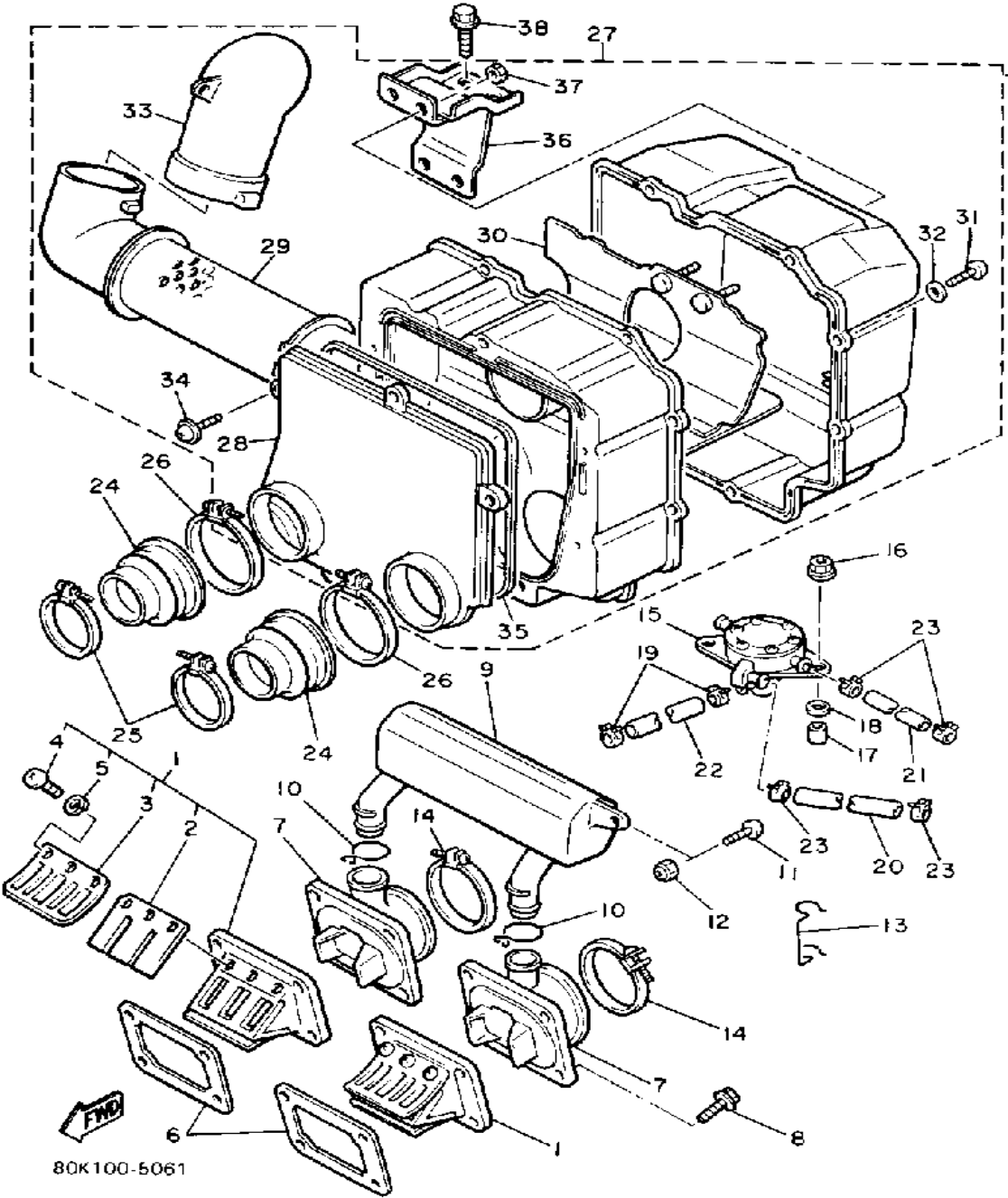


Ref. No.	Part Number	Description	Qty	Remarks
1	3R5-13610-00-00	REED VALVE ASSEMBLY	2	
2	3R5-13613-00-00	REED, VALVE	2	
3	2X5-13616-00-00	STOPPER, REED VALVE	2	
4	98580-03008-00	SCREW, PAN HEAD	6	
5	92990-03100-00	WASHER, SPRING (92901-03100)	6	
6	80L-13621-01-00	GASKET, VALVE SEAT	2	
7	8V0-13555-00-00	MANIFOLD, INTAKE	2	
8	95811-06025-00	BOLT, FLANGE	8	
9	8V0-13581-00-00	CHAMBER, AIR	1	
10	90467-24096-00	CLIP	2	
11	90154-05005-00	SCREW, BINDING	1	
12	95706-05300-00	NUT, nylon	1	
13	90465-10033-00	CLAMP	1	
14	86M-13575-00-00	BAND	2	
15	8V0-24410-02-00	FUEL PUMP ASSEMBLY (8V0-24410-01)	1	
16	95701-06500-00	NUT, FLANGE	2	
17	90387-06387-00	COLLAR	2	
18	90201-06778-00	WASHER, PLATE	2	
19	90467-09006-00	CLIP	2	
20	91A30-05045-00	TUBE, FLEXIBLE VINYL	1	
21	91A20-05036-00	TUBE, FLEXIBLE	1	
22	90445-10140-00	HOSE	1	
23	90467-09026-00	CLIP	4	
24	8V0-14453-00-00	JOINT, AIR CLEANER 1	2	
25	90460-68230-00	CLAMP, HOSE	2	
26	90460-81224-00	CLAMP, HOSE	2	
27	8V0-14440-01-00	SILENCER ASSEMBLY, INTAKE	1	

CONTINUED ON NEXT FRAME ►

Property of [www.SmallEngineDiscount.com](http://www.SmallEngineDiscount.com) - Not for Resale

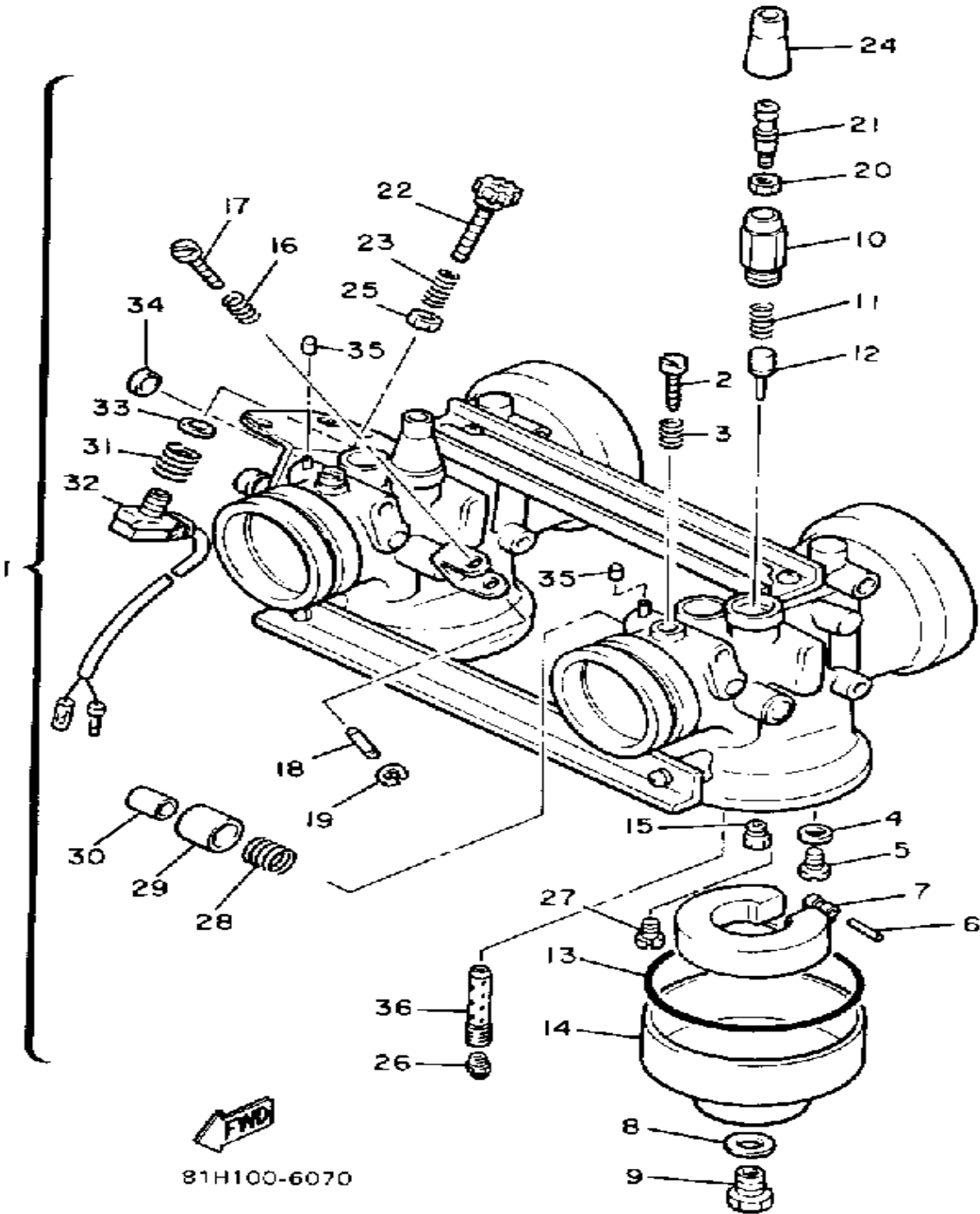
# AIR CLEANER



Ref. No.	Part Number	Description	Qty	Remarks
28	8V0-14412-01-00	. CAP, CLEANER CASE 1	1	
29	8V0-14465-00-00	. PIPE	1	
30	8V0-14484-00-00	. PLATE, CLEANER CASE FITTING	1	
31	98586-05016-00	. SCREW, PAN HEAD	7	
32	92906-05600-00	. WASHER, PLATE	7	
33	8V0-14454-00-00	. JOINT	1	
34	90159-05122-00	. SCREW, WITH WASHER	7	
35	8V0-14452-00-00	. SEAL	1	
37	95380-06600-00	. NUT	3	
38	95811-06012-00	BOLT, FLANGE	2	

Property of [www.SmallEngineDiscount.com](http://www.SmallEngineDiscount.com) - Not for Resale

# CARBURETOR

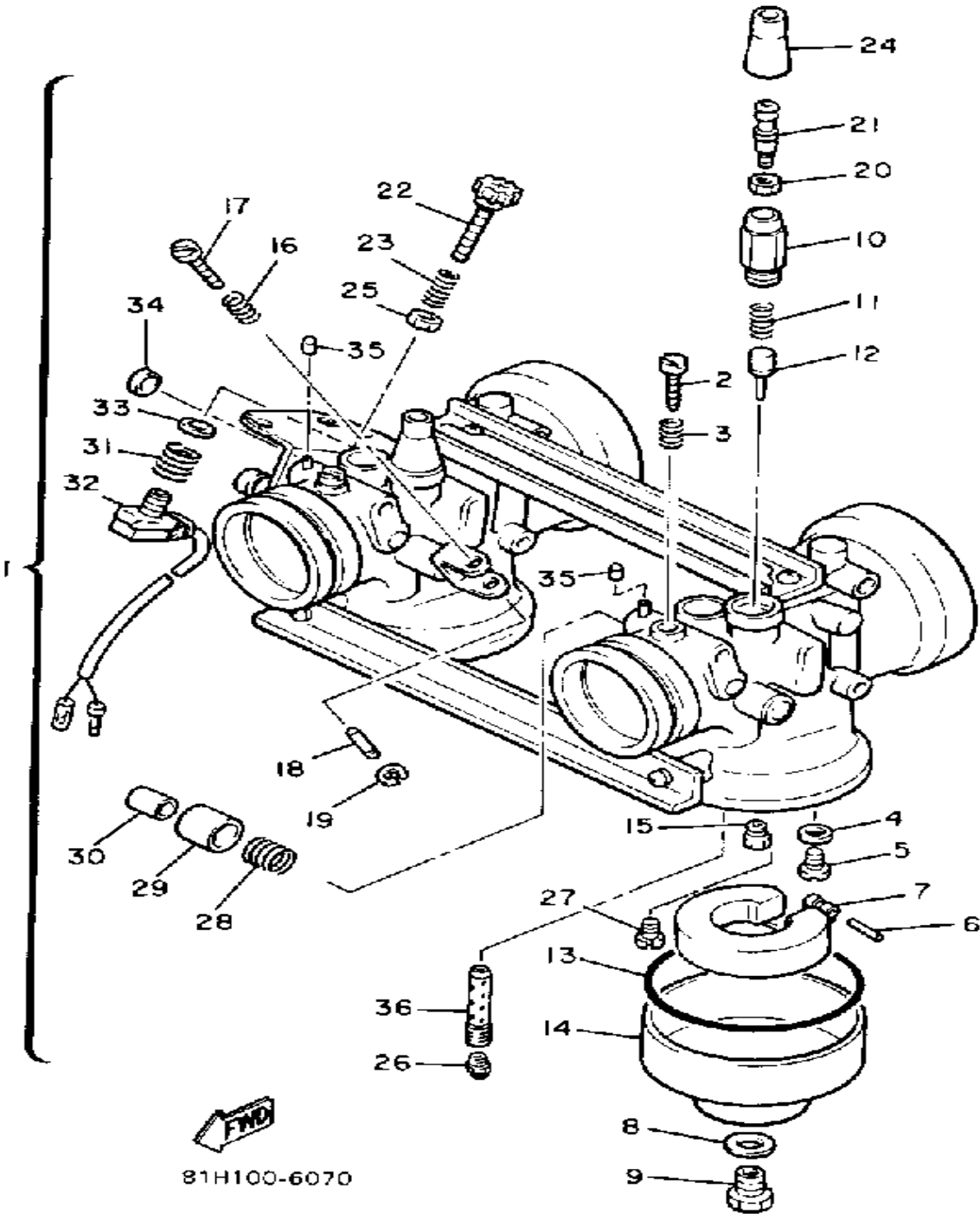


Ref. No.	Part Number	Description	Qty	Remarks
1	80L-14100-03-00	CARBURETOR ASSEMBLY . . .	1	
2	620-14211-00-00	. SCREW, PILOT ADJUSTING . . .	2	
3	8V0-14212-00-00	. SPRING, PILOT ADJUSTING . . .	2	
4	214-14195-00-00	. WASHER, NEEDLE VALVE . . .	2	
5	168-14190-15-00	. NEEDLE VALVE ASSEMBLY . . .	2	
6	8M6-14186-00-00	. PIN, FLOAT . . . . .	2	
7	8M6-14185-00-00	. FLOAT . . . . .	2	
8	286-14198-00-00	. GASKET . . . . .	2	
9	8M6-14261-00-00	. HOLDER . . . . .	2	
10	8G8-14174-00-00	. CAP, PLUNGER . . . . .	2	
11	127-14135-00-00	. SPRING, PLUNGER . . . . .	2	
12	8G8-14171-00-00	. PLUNGER, STARTER . . . . .	2	
13	8M6-14126-00-00	. GASKET . . . . .	2	
14	8M6-14181-00-00	. BODY, FLOAT CHAMBER 1 . . .	2	
15	193-14142-95-00	. JET, PILOT (# 95) . . . . .	2	
16	3F7-14133-00-00	. SPRING, THROTTLE STOP . . .	1	
17	12R-1490K-00-00	. STOP SCREW SET . . . . .	1	
18	584-14992-00-00	. ROD . . . . .	1	
19	256-14937-00-00	. CLIP . . . . .	1	
20	802-14161-00-00	. NUT, CABLE ADJUSTING . . .	2	
21	12G-14106-00-00	. CABLE ADJUST SCREW SET . . .	2	
22	80L-14122-00-00	. SCREW, THROTTLE . . . . .	1	
23	8X0-14500-00-00	. SPRING . . . . .	1	
24	8A7-14169-00-00	. CAP . . . . .	2	
25	8V0-14358-00-00	. NUT . . . . .	2	
26	3G2-14231-27-00	JET, MAIN (#135) . . . . .	2	U.R.
	3G2-14231-28-00	JET, MAIN (#140) . . . . .	2	U.R.
	3G2-14231-29-00	. JET, MAIN (#145) . . . . .	2	U.R.
	3G2-14231-30-A0	. JET, MAIN (#150) . . . . .	2	U.R.

CONTINUED ON NEXT FRAME ➤

Property of [www.SmallEngineDiscount.com](http://www.SmallEngineDiscount.com) - Not for Resale

# CARBURETOR

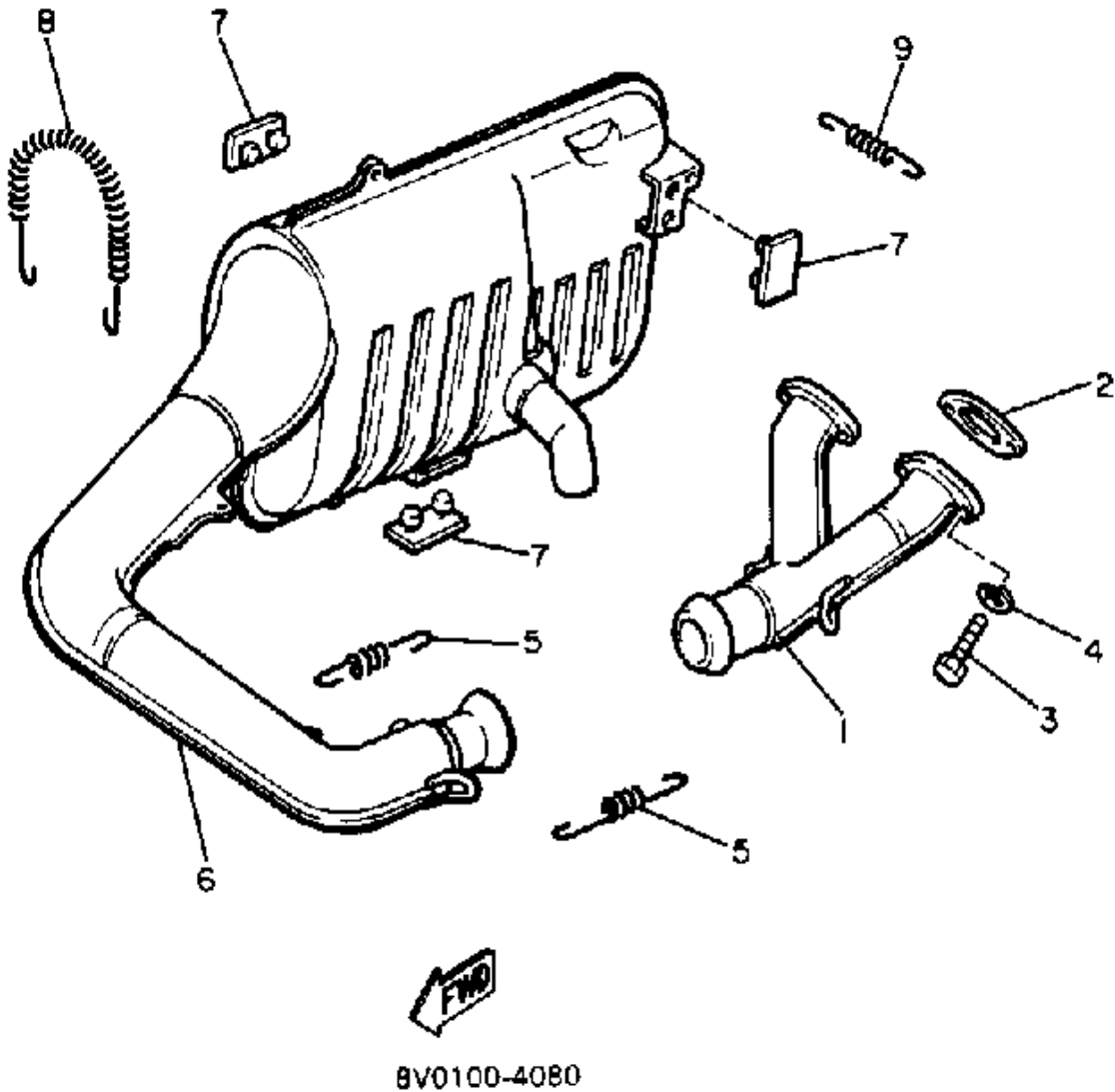


81H100-6070

Ref. No.	Part Number	Description	Qty	Remarks
26	3G2-14231-81-A0	. JET, MAIN (#152.5) (3G2-14231-81)	2	U.R.
	3G2-1423A-75-A1	JET, MAIN (#122.5) (3G2-14231-75-00) (#122.5)	2	U.R.
	3G2-1423A-76-00	JET, MAIN (#127.5)	2	U.R.
	3G2-1423A-77-A1	JET, MAIN (#132.5) (3G2-1423A-77-00)	2	U.R.
	3G2-1423A-78-00	JET, MAIN (#137.5)	2	U.R.
	3G2-1423A-80-A0	. JET, MAIN (#147.5) (3G2-1423A-80-00)	2	U.R.
	3G2-1423E-57-00	. JET, MAIN (#143.8)	2	U.R. STD
27	8V0-14118-00-00	. CAP	4	
28	80L-14932-00-00	. SPRING, THROTTLE 2	1	
29	80L-14534-00-00	. COLLAR	2	
30	80L-14535-00-00	. COLLAR	4	
31	8X0-14133-00-00	. SPRING, THROTTLE STOP	1	
32	8V0-8259A-00-00	. SWITCH, CARBURETOR	1	
33	22F-14117-00-00	. WASHER, PLUG SCREW	1	
34	80L-14264-00-00	. COLLAR	1	
35	895-14169-00-00	. CAP	2	
36	8Y2-14941-3A-00	. NOZZLE, MAIN	2	

Property of [www.SmallEngineDiscount.com](http://www.SmallEngineDiscount.com) - Not for Resale

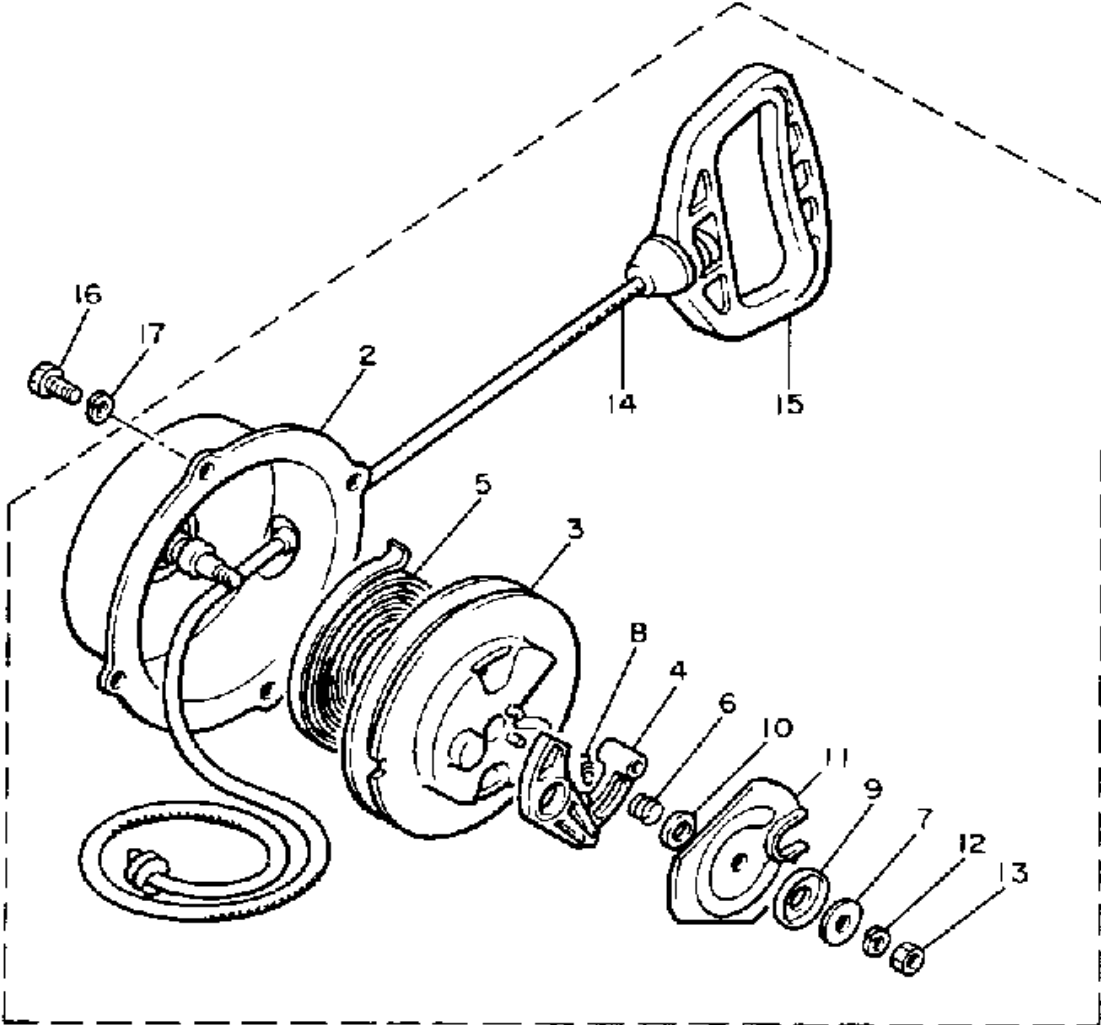
# EXHAUST



Ref. No.	Part Number	Description	Qty	Remarks
1	8V0-14610-00-00	EXHAUST PIPE ASSEMBLY 1	1	
2	821-14613-01-00	GASKET, EXHAUST PIPE	2	
3	97313-08020-00	BOLT, HEXAGON	4	
4	92990-08100-00	WASHER	4	
5	90506-20272-00	SPRING, TENSION	2	
6	8V0-14710-04-00	MUFFLER ASSEMBLY 1	1	
7	8A5-14728-02-00	PROTECTOR, MUFFLER 2	3	
8	90506-14207-00	SPRING, TENSION	1	
9	90506-16350-00	SPRING, TENSION	1	

Property of [www.SmallEngineDiscount.com](http://www.SmallEngineDiscount.com) - Not for Resale

# STARTER



Ref. No.	Part Number	Description	Qty	Remarks
1	8V0-15710-00-00	STARTER ASSEMBLY	1	
2	8V0-15711-00-00	. CASE, STARTER	1	
3	8F3-15714-01-00	. DRUM, SHEAVE	1	
4	8F3-15741-01-00	. PAWL, DRIVE	1	
5	8F3-15713-01-00	. SPRING, STARTER	1	
6	8F3-15715-00-00	. SPRING, FRICTION	1	
7	8F3-15739-01-00	. WASHER, THRUST	1	
8	8F3-15734-00-00	. SPRING, RETURN	1	
9	8G5-15739-00-00	. WASHER, THRUST	1	
10	82M-15779-00-00	. COVER	1	
11	8F3-15716-03-00	. PLATE, DRIVE	1	
12	92995-06100-00	. WASHER, SPRING	1	
13	95380-06700-00	. NUT	1	
14	857-15751-00-00	. WIRE, STARTER	1	
15	8F3-15755-00-00	. HANDLE, STARTER	1	
16	97313-06014-00	BOLT, HEXAGON	4	
17	92995-06100-00	WASHER, SPRING	4	

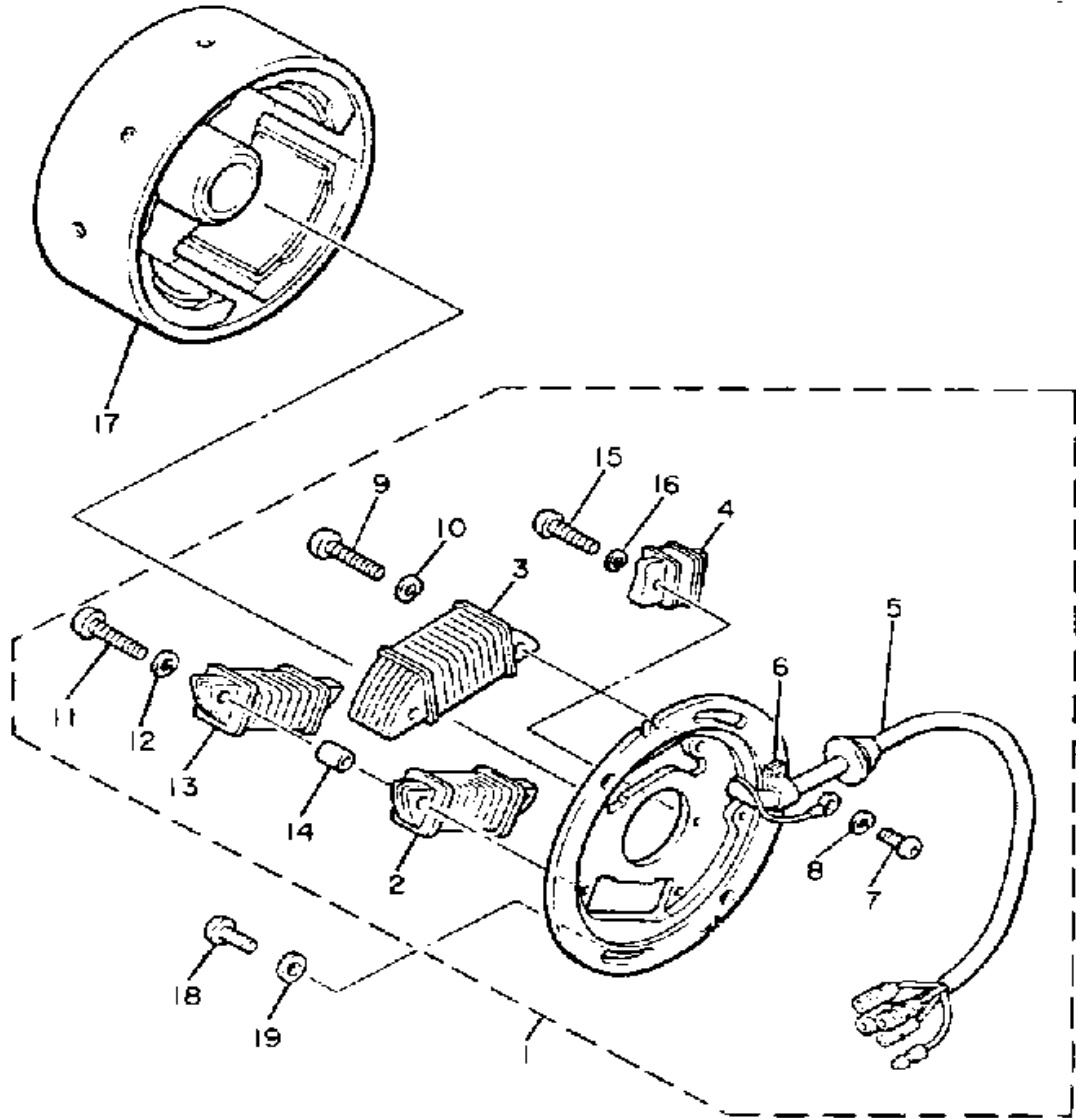


BX9100-4101

Property of [www.SmallEngineDiscount.com](http://www.SmallEngineDiscount.com) - Not for Resale



# GENERATOR



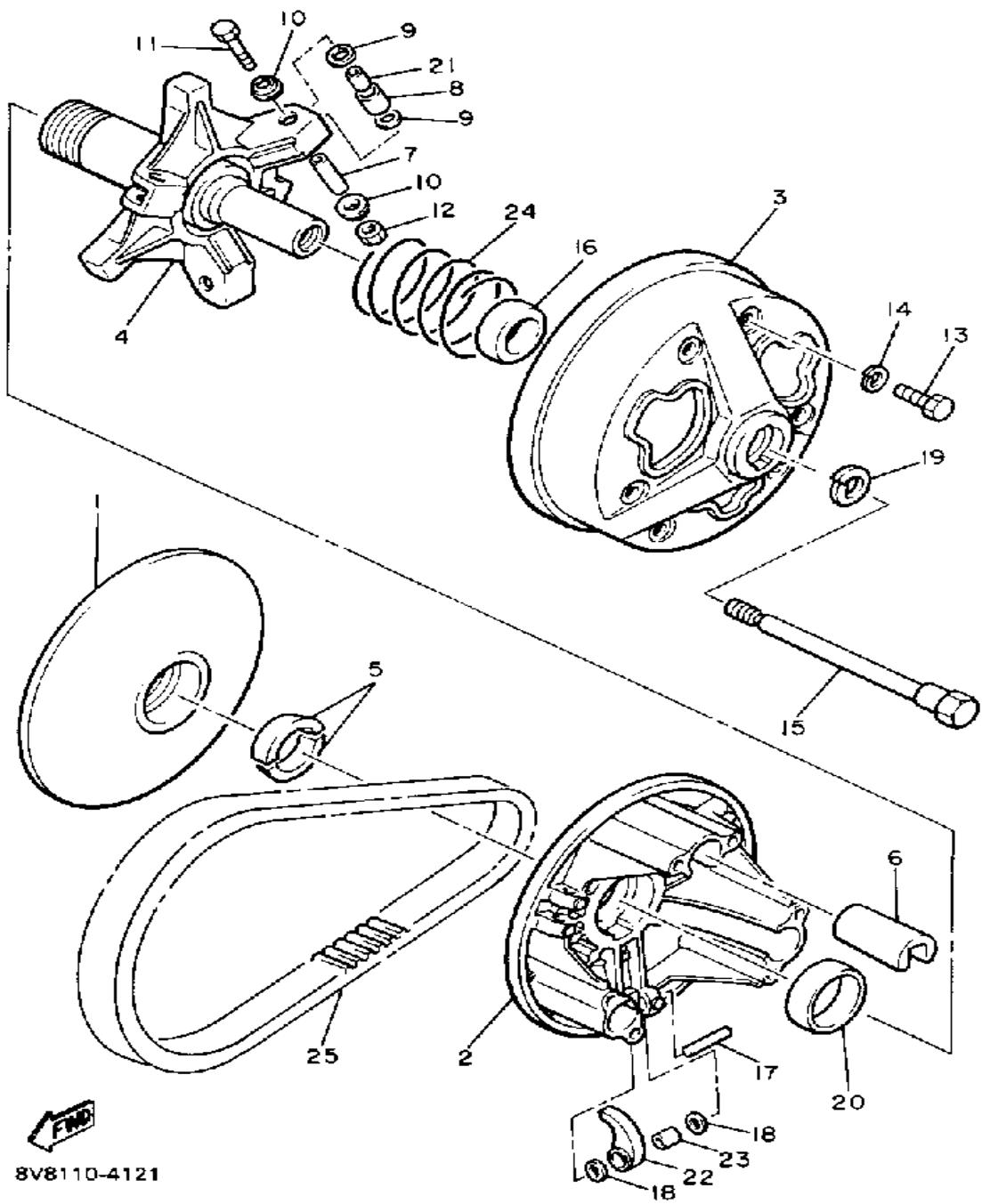
8V010C-432C

Ref. No.	Part Number	Description	Qty	Remarks
1	88F-85510-00-00	STATOR ASSEMBLY	1	
2	86M-85511-00-00	. COIL, SOURCE	1	
3	8H8-85513-20-00	. COIL, LIGHTING 1	1	
4	82M-85580-20-00	. COIL, PULSER	1	
5	8W0-85515-20-00	. LEAD WIRE ASSEMBLY (8V0-85515-20)	1	
6	445-81328-20-00	. CLAMP	2	
7	98580-04008-00	. SCREW, PAN HEAD	1	
8	92901-04100-00	. WASHER, SPRING	1	
9	98501-05035-00	. SCREW, PAN HEAD	2	
10	92990-05100-00	. WASHER, SPRING	2	
11	98501-05040-00	. SCREW, PAN HEAD (98502-05040)	2	
12	92990-05100-00	. WASHER, SPRING	2	
13	82M-85514-20-00	. COIL, LIGHTING 2	1	
14	8T0-85519-20-00	. SPACER	2	
15	98506-04018-00	. SCREW, PAN HEAD	2	
16	92901-04100-00	. WASHER, SPRING	2	
17	8V0-85550-20-00	ROTOR ASSEMBLY	1	
18	98980-06016-00	SCREW, BINDING	2	
19	90201-06043-00	WASHER, PLATE	2	

Property of [www.SmallEngineDiscount.com](http://www.SmallEngineDiscount.com) - Not for Resale

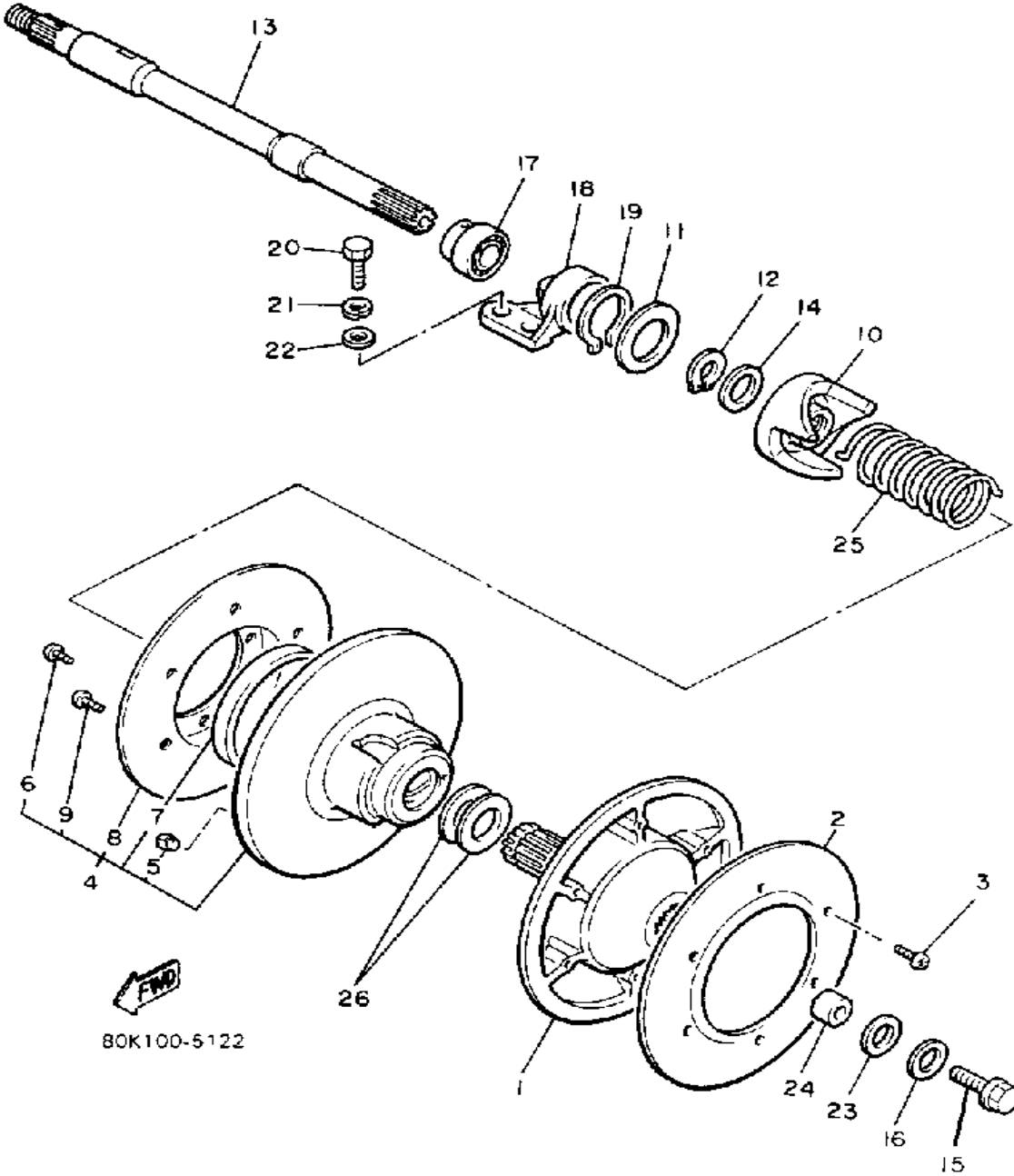
# PRIMARY SHEAVE

Ref. No.	Part Number	Description	Qty	Remarks
1	84J-17611-00-00	SHEAVE, PRIMARY FIXED	1	
2	8V0-17621-01-00	SHEAVE, PRIMARY SLIDING	1	
3	8V0-17631-00-00	CAP	1	
4	82M-17640-01-00	SPIDER, COMPLETE	1	
5	8V0-17639-00-00	STOPPER	2	
6	88X-17653-00-00	SLIDER	3	
7	90387-086G4-00	COLLAR	3	
8	90387-096J5-00	COLLAR	3	
9	90202-08205-00	WASHER, PLATE	6	
10	90208-05036-00	WASHER, CONICAL SPR	6	
11	97313-05035-00	BOLT	3	
12	95612-05100-00	NUT, U	3	
13	97313-06030-00	BOLT, HEXAGON	6	
14	92995-06100-00	WASHER, SPRING	6	
15	8V0-17647-00-00	BOLT (L=156.5MM)	1	
16	90389-28032-00	BUSH	1	
17	93607-44190-00	PIN, DOWEL	3	
18	90201-077F5-00	WASHER, PLATE	6	
19	92901-16100-00	WASHER, SPRING	1	
20	90389-40029-00	BUSH	1	
21	90380-08132-00	BUSH, SOLID	3	
22	8V0-W176A-00-00	WEIGHT, WITH BUSH	3	
23	8V0-17677-02-00	BUSHING	3	
24	90501-45534-00	SPRING, COMPRESSION	1	U.R. STD
	90501-555A0-00	SPRING, WHITE/GREEN	1	U.R. HIGH ALT.
25	89X-00000-50-00	CLUTCH TUNE-UP KIT (K)	1	MARKED W/*
	8F2-17641-01-00	V-BELT	1	
	8V0-17601-19-00	CLUTCH MARKED	1	MARKED W/+



Property of [www.SmallEngineDiscount.com](http://www.SmallEngineDiscount.com) - Not for Resale

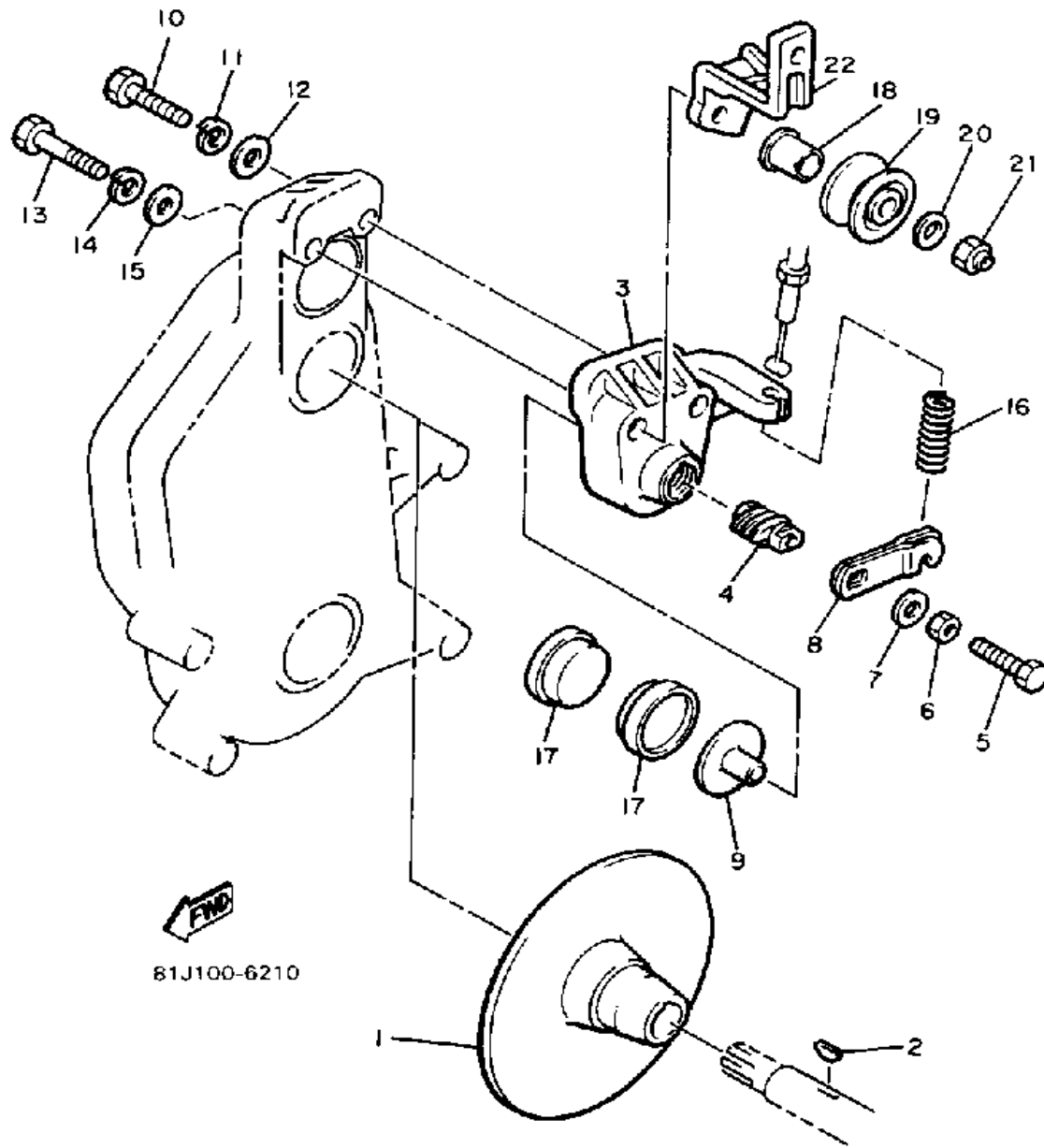
# SECONDARY SHEAVE



Ref. No.	Part Number	Description	Qty	Remarks
1	80R-17660-01-00	SEC. FIXED SHEAVECOMP ...	1	
2	81H-17665-00-00	PLATE 1 .....	1	
3	90150-05022-00	SCREW ROUND HEAD .....	6	
4	81H-17670-00-00	SECONDARY SLIDING SHEAVE	1	
5	8X6-17688-00-00	. SHOE, RAMP .....	3	
6	90154-06036-00	. SCREW, BINDING .....	3	
7	90380-90117-00	. BUSH, SOLID .....	1	
8	81H-17675-00-00	. PLATE 2 .....	1	
9	90150-05022-00	. SCREW ROUND HEAD .....	6	
10	8V0-17684-00-00	SEAT, SECONDARY SPRING .	1	
11	90201-34684-00	WASHER, PLATE .....	1	
12	93440-34170-00	CIRCLIP .....	1	
13	82M-17681-00-00	SHAFT, SECONDARY .....	1	
14	90201-252F1-00	WASHER, PLATE (T0.5) .....	1	U.R.
	90201-25526-00	WASHER, PLATE (T2.0) .....	1	U.R.
	90201-25527-00	WASHER, PLATE (T1.0) .....	1	U.R.
15	90105-14175-00	BOLT, WASHER BASED .....	1	
16	90201-140A6-00	WASHER, PLATE .....	1	
17	888-17678-00-00	BEARING .....	1	
18	8V0-47631-00-00	HOUSING, BEARING .....	1	
19	99009-52500-00	CIRCLIP .....	1	
20	97322-08022-00	BOLT, HEXAGON .....	4	
21	92990-08100-00	WASHER .....	4	
22	92990-08600-00	WASHER, PLATE .....	4	
23	90201-222F0-00	WASHER, PLATE (T0.5) .....	1	U.R.
	90201-225A4-00	WASHER, PLATE (T1.0) .....	1	U.R.
24	90387-147A8-00	COLLAR .....	1	
25	90508-50654-00	SPRING, TORSION .....	1	
26	90201-345G2-00	WASHER, PLATE .....	2	

Property of [www.SmallEngineDiscount.com](http://www.SmallEngineDiscount.com) - Not for Resale

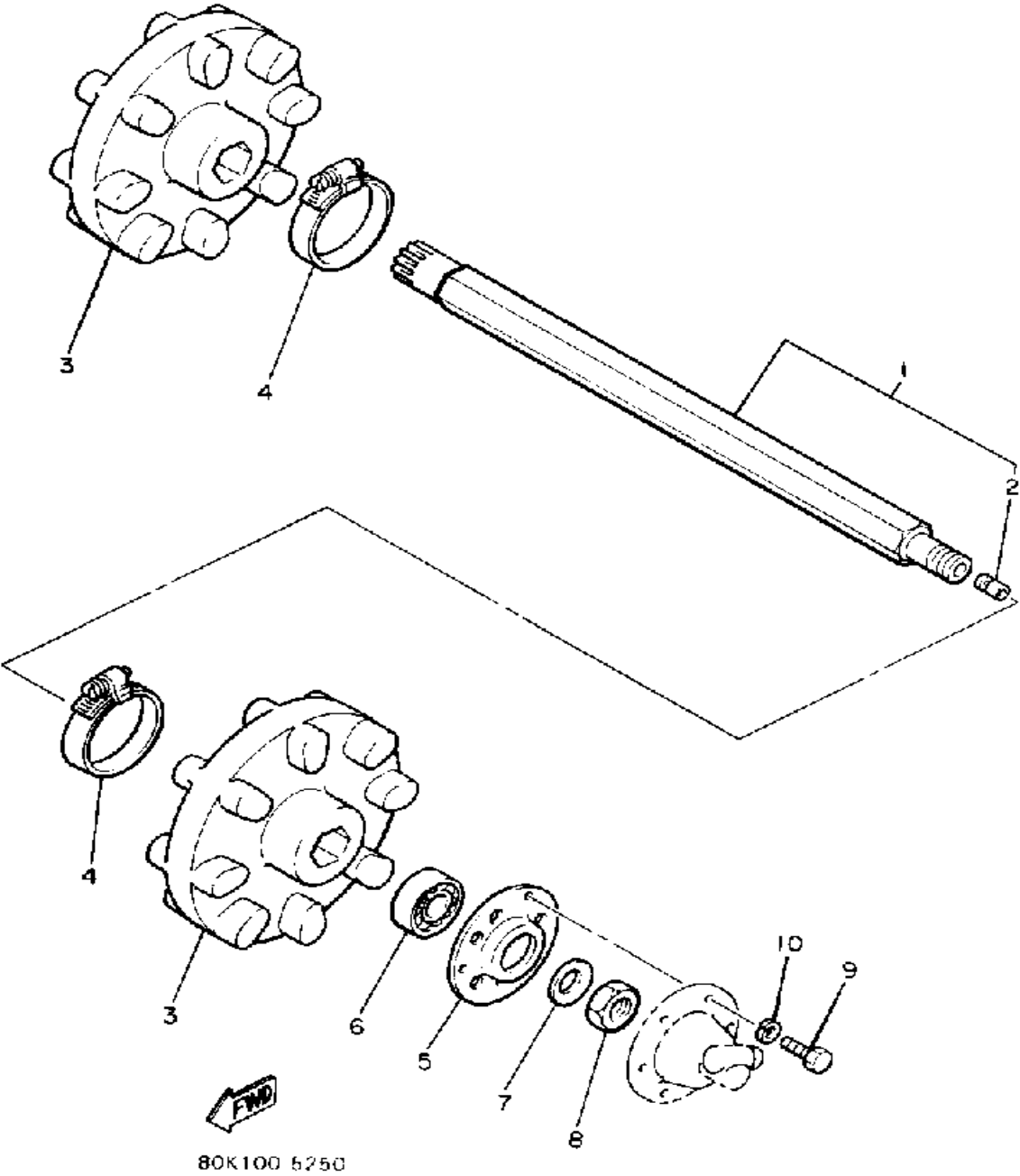
# BRAKE



Ref. No.	Part Number	Description	Qty	Remarks
1	8V0-25831-00-00	DISC, BRAKE (RIGHT)	1	
2	8J7-25848-00-00	KEY	1	
3	8K4-25731-00-00	BODY, CALIPER 1	1	
4	878-25728-00-00	CAM	1	
5	90101-08499-00	BOLT	1	
6	95303-08700-00	NUT	1	
7	92990-08600-00	WASHER, PLATE	1	
8	878-25726-00-00	LEVER, BRAKE	1	
9	878-25733-00-00	PLATE, BACK UP	1	
10	97313-10055-00	BOLT, HEXAGON (97322-10055)	1	
11	92990-10100-00	WASHER, SPRING	1	
12	92990-10600-00	WASHER, PLATE	1	
13	90109-107A4-00	BOLT	1	
14	92990-10100-00	WASHER, SPRING	1	
15	92990-10600-00	WASHER, PLATE	1	
16	90501-23337-00	SPRING, COMPRESSION	1	
17	84X-25811-01-00	PAD, CALIPER 2	2	
18	90387-086J4-00	COLLAR	1	
19	8V0-26399-00-00	GUIDE, CABLE	1	
20	92990-08200-00	WASHER, PLAIN	1	
21	95712-08300-00	NUT, LOCK	1	
22	8V0-2193F-00-00	BRKT, OIL TANK 2	1	

Property of [www.SmallEngineDiscount.com](http://www.SmallEngineDiscount.com) - Not for Resale

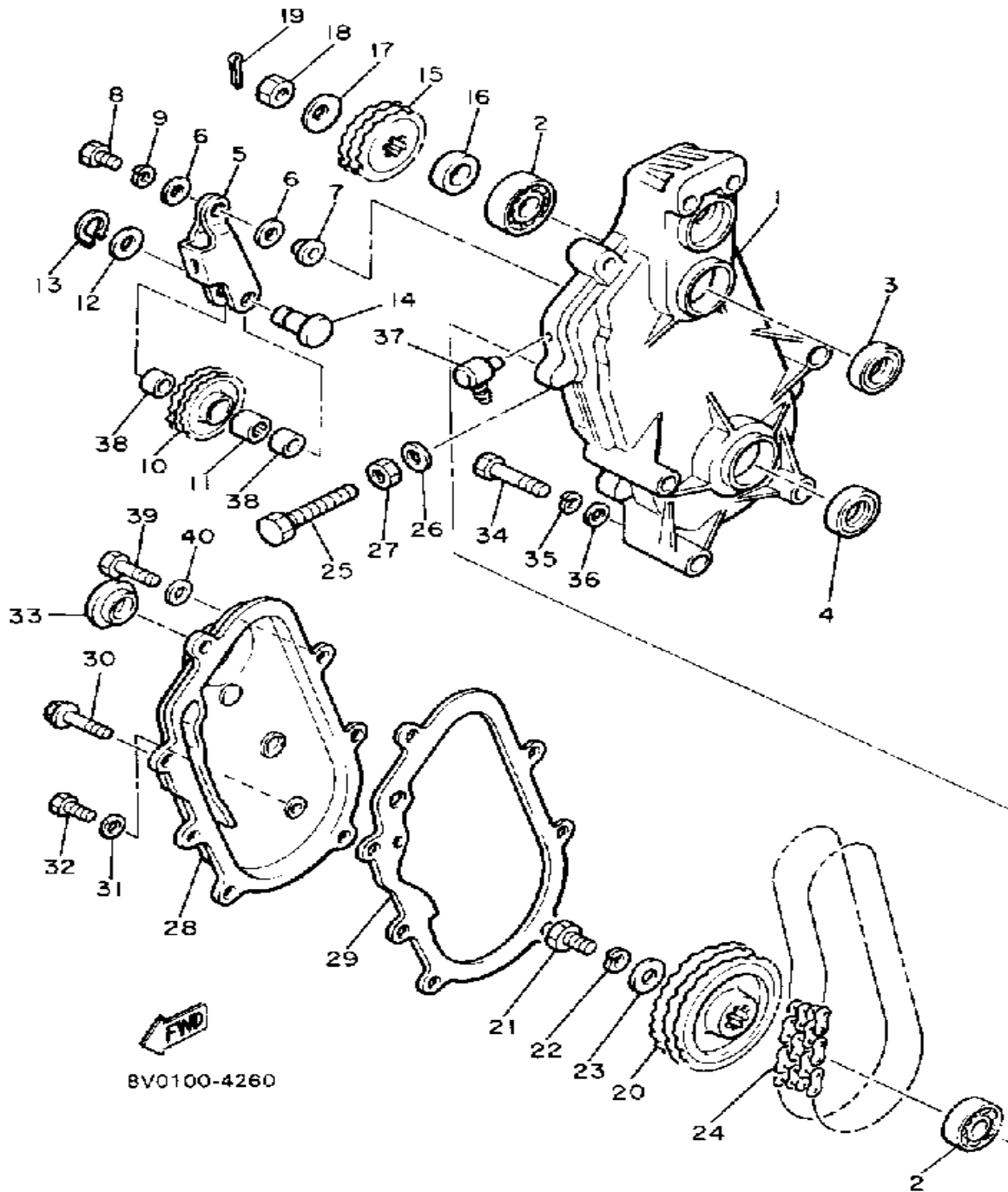
# TRACK DRIVE 1



Ref. No.	Part Number	Description	Qty	Remarks
1	8K4-W4751-01-00	AXLE, FRONT	1	
2	8K4-47577-00-00	. CONNECTOR	1	
3	8J7-47531-01-00	WHEEL, SPROCKET 1	2	
4	90460-50079-00	CLAMP, HOSE	2	
5	8K4-47551-00-00	HOUSING, FRONT AXLE	1	
6	93306-00420-00	BEARING (B6004)	1	
7	90208-22001-00	WASHER, CONICAL SPRING	1	
8	90170-22094-00	NUT	1	
9	97011-08016-00	BOLT	3	
10	92990-08100-00	WASHER	3	

Property of [www.SmallEngineDiscount.com](http://www.SmallEngineDiscount.com) - Not for Resale

# TRACK DRIVE 2



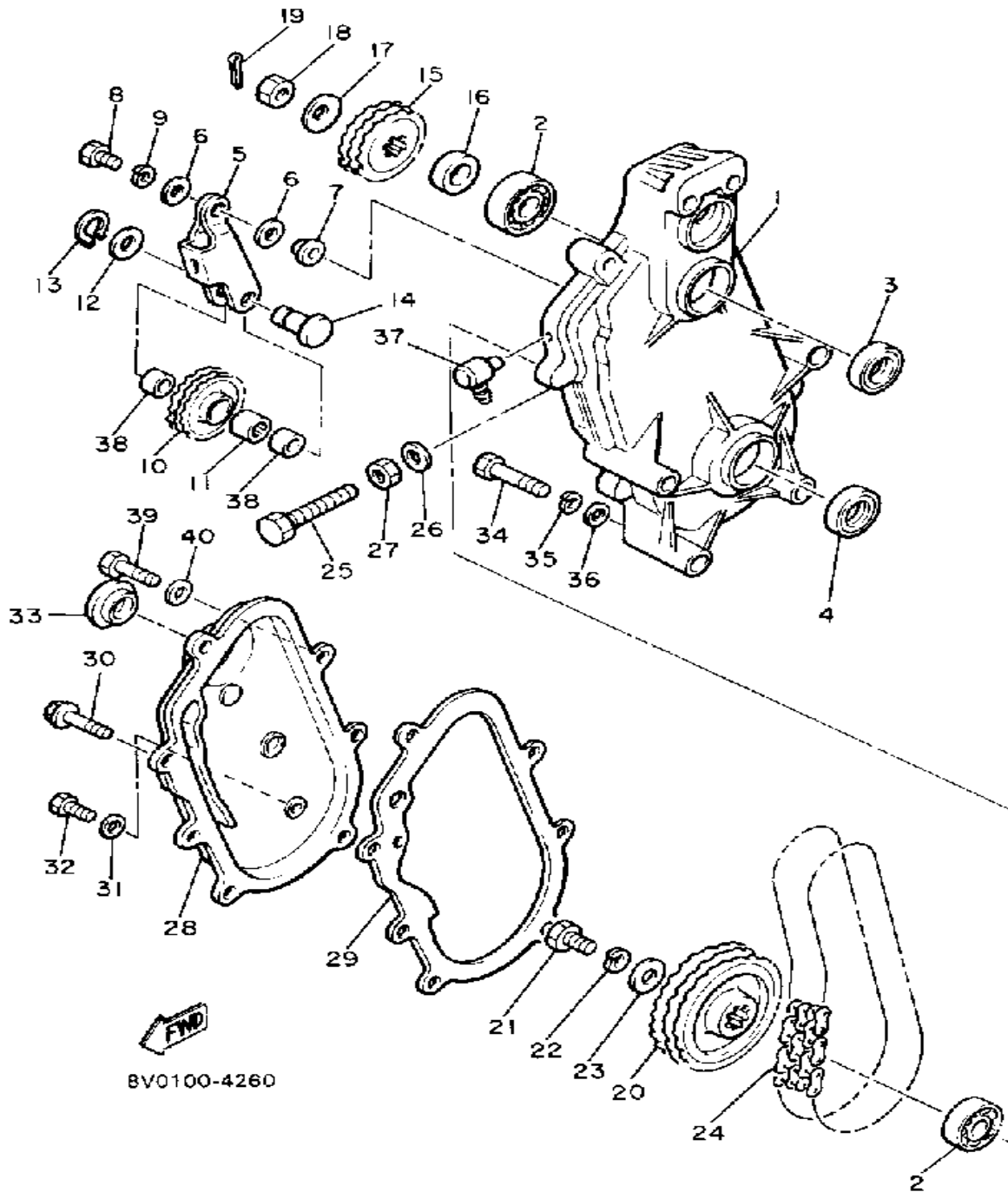
Ref. No.	Part Number	Description	Qty	Remarks
1	99999-02119-00	HOUSING, CHAIN .....	1	
2	93306-20570-00	BEARING .....	2	
3	93102-27204-00	OIL SEAL .....	1	
4	93102-25081-00	OIL SEAL .....	1	
5	8U9-47613-02-00	HOLDER .....	1	
6	92990-08200-00	WASHER, PLAIN .....	2	
7	90387-08301-00	COLLAR .....	1	
8	97312-08025-00	BOLT (97012-08025) .....	1	
9	92990-08100-00	WASHER .....	1	
10	8U9-47612-00-00	WHEEL .....	1	
11	93315-21227-00	BEARING .....	1	
12	90201-12631-00	WASHER, PLATE .....	1	
13	99009-12400-00	CIRCLIP .....	1	
14	90249-12216-00	PIN .....	1	
15	829-17682-00-00	SPRKT, CHAIN DR 20T (20T) ..	1	ALT. PART
	829-17682-50-00	SPRKT, CHAIN DR 15T (878-17682-50) (15T) .....	1	ALT. PART
	829-17682-60-00	SPRKT, CHAIN DR 16T (16T) ..	1	ALT. PART
	829-17682-70-00	SPRKT, CHAIN DR 17T (17T) ..	1	U.R. STD
	829-17682-80-00	SPRKT, CHAIN DR 18T (18T) ..	1	ALT. PART
	829-17682-90-00	SPRKT, CHAIN DR 19T (878-17682-90) (19T) .....	1	ALT. PART
	8U9-17693-10-00	SPROCKET, CHAIN DR (878-17693-10) (21T) .....	1	ALT. PART
	8U9-17693-20-00	SPROCKET, CHAIN DR (878-17693-20) (22T) .....	1	ALT. PART
16	90387-25798-00	COLLAR .....	1	
17	90208-20008-00	WASHER, CONICAL SPRING ..	1	
18	90170-20211-00	NUT .....	1	
19	91401-30030-00	PIN, COTTER .....	1	

CONTINUED ON NEXT FRAME ►

Property of [www.SmallEngineDiscount.com](http://www.SmallEngineDiscount.com) - Not for Resale

B10

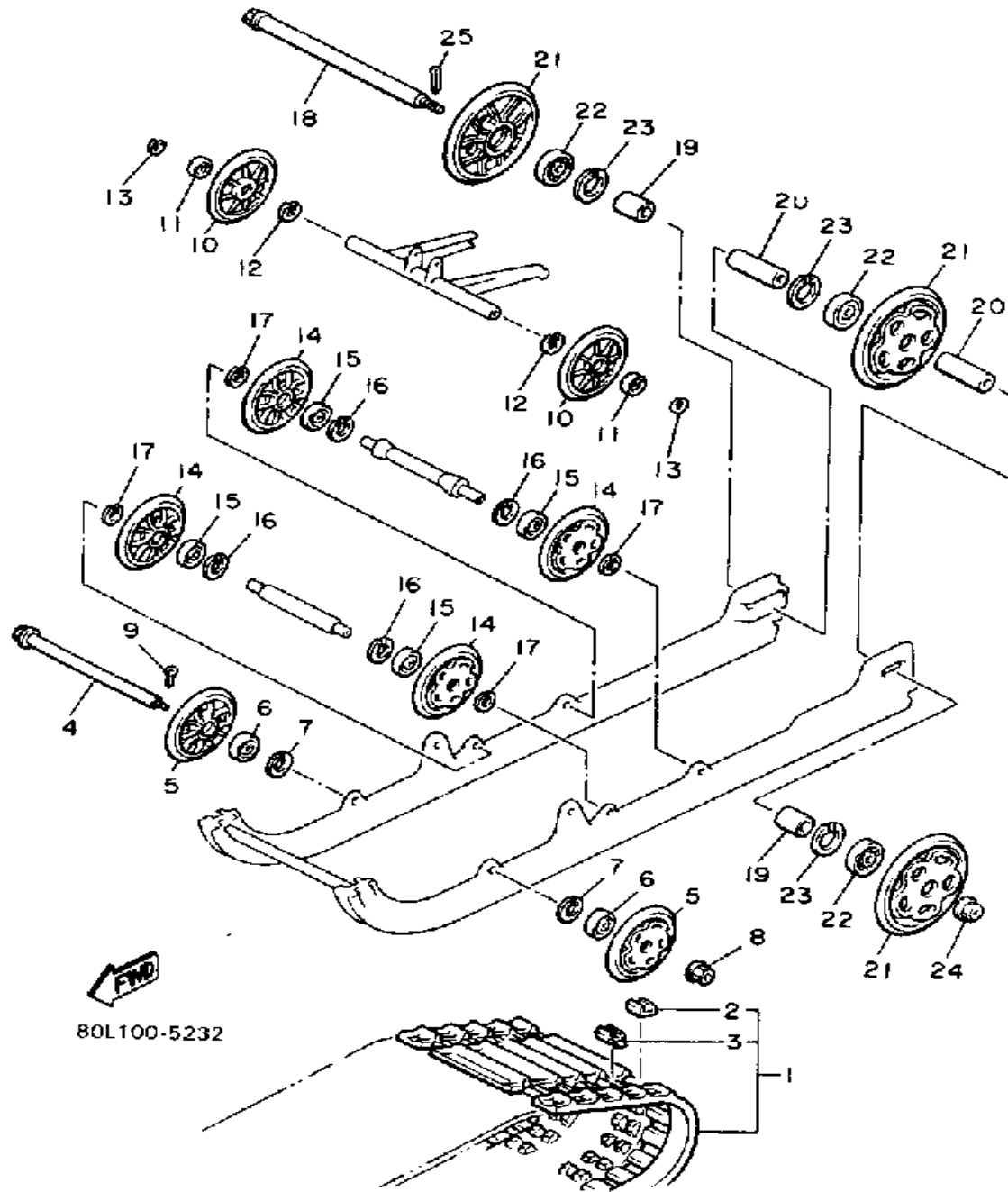
# TRACK DRIVE 2



Ref. No.	Part Number	Description	Qty	Remarks
20	878-47548-90-00	SPROCKET, CHN DRVN (29T)	1	U.R. STD
	8U9-47587-00-00	SPROCKET, CHN DRVN (31T)	1	ALT. PART
	8U9-47587-10-00	SPROCKET, CHN DRVN (888-47587-00) (33T)	1	ALT. PART
	8U9-47587-30-00	SPROCKET, CHN DRVN (878-47587-20) (35T)	1	ALT. PART
21	97011-10025-00	BOLT	1	
22	92990-10100-00	WASHER, SPRING	1	
23	90201-10742-00	WASHER, PLATE	1	
24	94890-05064-00	CHAIN	1	U.R. STD
	94890-05066-00	CHAIN	1	ALT. PART
	94890-05068-00	CHAIN	1	ALT. PART
25	90101-10357-00	BOLT	1	
26	90210-10004-00	WASHER, SEAL	1	
27	95303-10700-00	NUT	1	
28	8V0-47543-00-00	CAP, HOUSING	1	
29	86F-47592-00-00	GASKET	1	
30	95811-06025-00	BOLT, FLANGE	5	
31	90210-06006-00	WASHER, SEAL	1	
32	97011-06010-00	BOLT	1	
33	90338-30219-00	PLUG	1	
34	97021-08065-00	BOLT	4	
35	92990-08100-00	WASHER	4	
36	92990-08600-00	WASHER, PLATE	4	
37	583-15371-00-00	BREATHER	1	
38	90387-122H7-00	COLLAR	2	
39	97011-06025-00	BOLT (97001-06025)	2	
40	92990-06200-00	WASHER	2	

Property of [www.SmallEngineDiscount.com](http://www.SmallEngineDiscount.com) - Not for Resale

# TRACK SUSPENSION 1

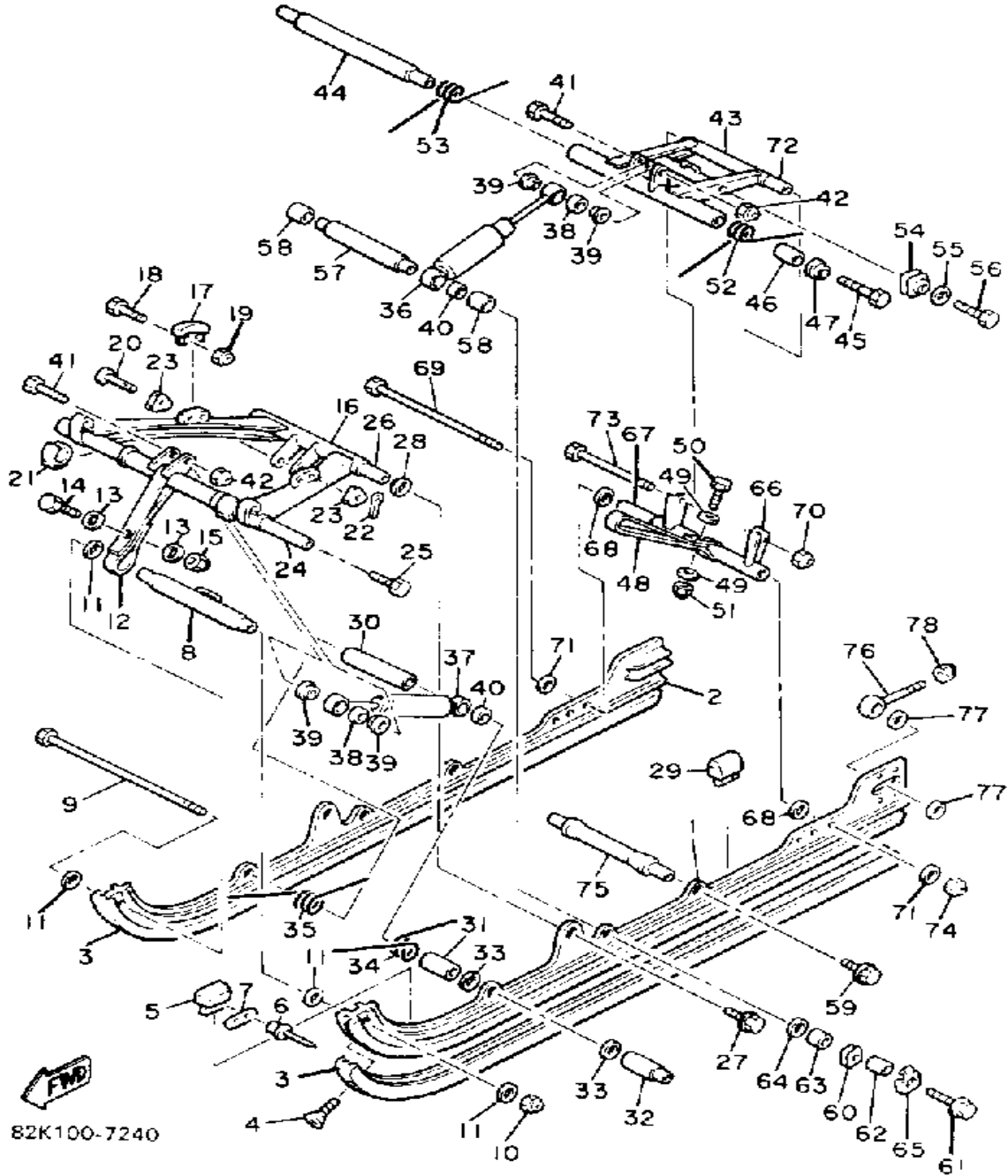


Ref. No.	Part Number	Description	Qty	Remarks
1	8V0-47110-00-00	TRACK ASSEMBLY	1	
2	8A5-47113-00-00	. PLATE, REINFORCEMENT	46	
3	8A5-47115-00-00	. METAL, SLIDE	46	
4	90891-50061-00	SHAFT 5 (80X-47487-00-00)	1	
5	87M-47320-00-00	SUSPENSION WHEEL COMP.	2	
6	93306-00441-00	BEARING (89A) (B6004RS)	2	
7	99009-42500-00	CIRCLIP	2	
8	95601-14200-00	NUT, U	1	
9	91401-30030-00	PIN, COTTER	1	
10	885-47320-01-00	SUSPENSION WHEEL COMP.	2	
11	93306-00441-00	BEARING (89A) (B6004RS)	2	
12	99009-42500-00	CIRCLIP	2	
13	99009-20400-00	CIRCLIP	2	
14	87M-47320-00-00	SUSPENSION WHEEL COMP.	4	
15	93306-00441-00	BEARING (89A) (B6004RS)	4	
16	99009-42500-00	CIRCLIP	4	
17	99009-20400-00	CIRCLIP	4	
18	8L8-47520-01-00	REAR AXLE COMP. (8L8-47520-02-00)	1	
19	90387-202H9-00	COLLAR	2	
20	90387-203H0-00	COLLAR	2	
21	8K2-47530-00-00	GUIDE WHEEL COMP.	3	
22	93306-20417-00	BEARING (B62042RS)	3	
23	99009-47500-00	CIRCLIP	3	
24	95601-14200-00	NUT, U	1	
25	91401-30030-00	PIN, COTTER	1	

Property of [www.SmallEngineDiscount.com](http://www.SmallEngineDiscount.com) - Not for Resale



# TRACK SUSPENSION 2

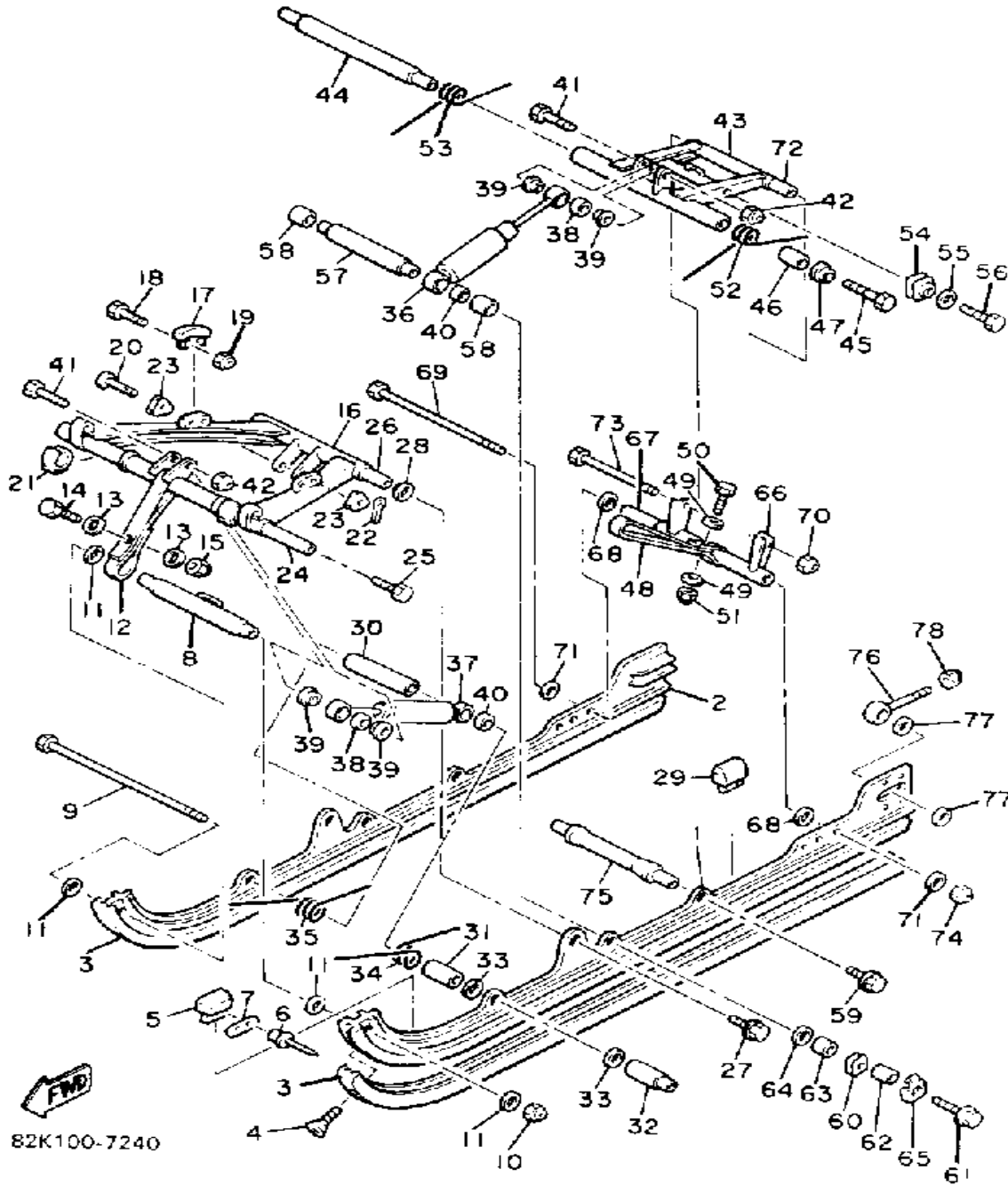


Ref. No.	Part Number	Description	Qty	Remarks
1	8V0-47411-00-00	FRAME, SLIDING 1	1	
2	8X9-47412-01-00	FRAME, SLIDING 2 (8X9-47412-00)	1	
3	8V0-47421-00-XX	RUNNER, SLIDING 1 (8V0-47421-00)	2	
4	90151-06010-00	SCREW, COUNTERSUNK	2	
5	8V0-47456-00-00	DAMPER 1	2	
6	90267-48062-00	RIVET, BLIND	8	
7	8K2-47458-01-00	PLATE, DAMPER	8	
8	8V0-47415-00-00	BRACKET 1	1	
9	97022-08255-00	BOLT	1	
10	95712-08300-00	NUT, LOCK	1	
11	92990-08600-00	WASHER, PLATE	4	
12	8V0-47495-00-00	STOPPER 1	1	
13	90201-06407-00	WASHER, PLATE (90201-06747-00)	2	
14	97011-06025-00	BOLT (97001-06025)	1	
15	95701-06300-00	NUT, NYLON	1	
16	8V0-47331-01-00	ARM, PIVOT 1	1	
17	8F3-47422-01-00	RUNNER, SLIDING 2	2	
18	97011-06025-00	BOLT (97001-06025)	4	
19	95701-06300-00	NUT, NYLON	4	
20	90240-12136-00	PIN, CLEVIS	1	
21	8V0-47447-01-00	HOOK 2	2	
22	91401-30030-00	PIN, COTTER	1	
23	8V0-47448-00-00	HOOK 3	2	
24	8A5-47465-02-00	SHAFT 1	1	
25	90109-10771-00	BOLT	2	
26	8K2-47485-00-00	SHAFT 3	1	
27	95811-10030-00	BOLT, FLANGE	2	

CONTINUED ON NEXT FRAME ➤

Property of [www.SmallEngineDiscount.com](http://www.SmallEngineDiscount.com) - Not for Resale

# TRACK SUSPENSION 2



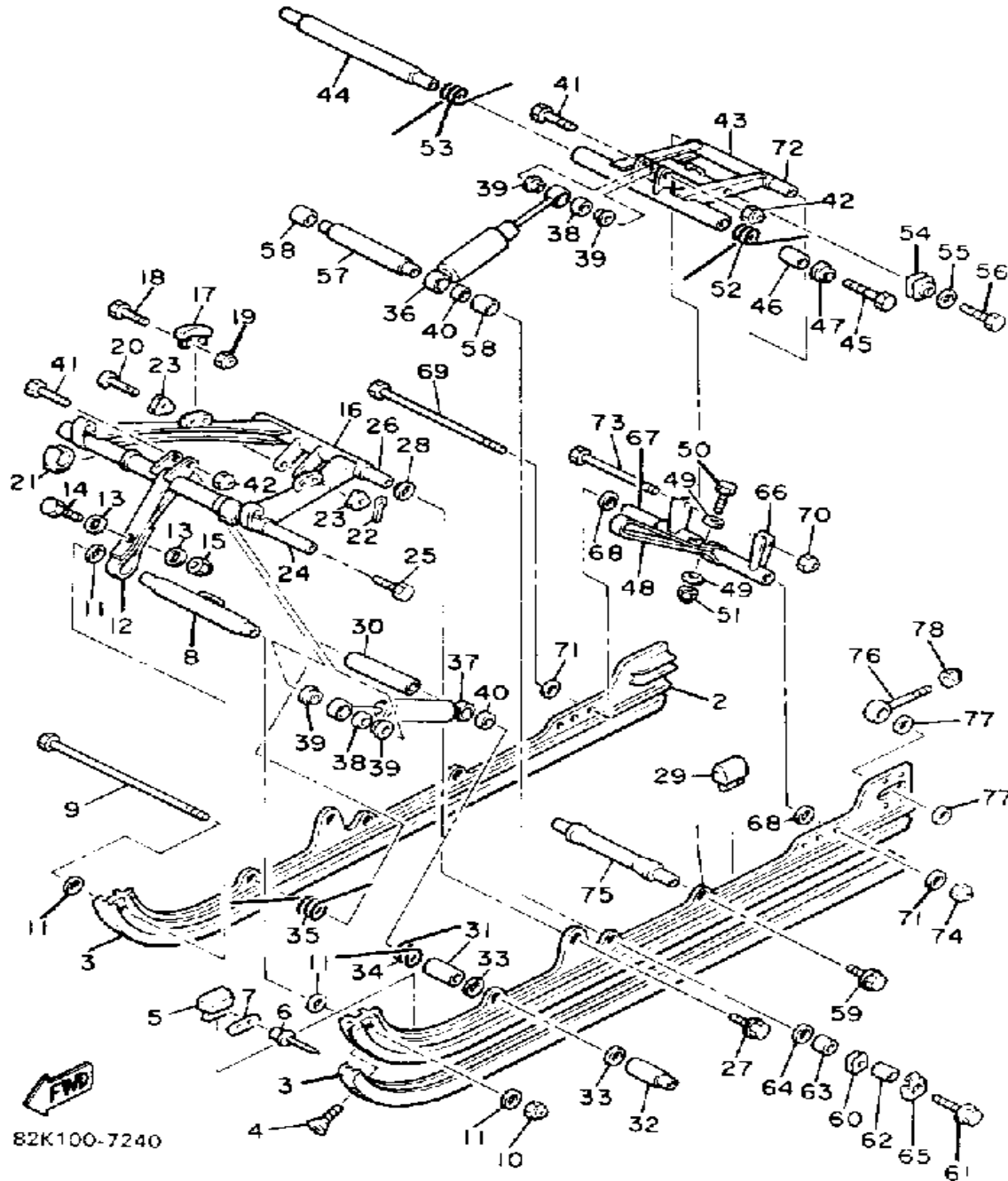
82K100-7240

Ref. No.	Part Number	Description	Qty	Remarks
28	90387-105G6-00	COLLAR	2	
29	8V0-47456-00-00	DAMPER 1	2	
30	90387-160M7-00	COLLAR	1	
31	8V0-47319-00-00	COLLAR	2	
32	90387-166M8-00	COLLAR	2	
33	90201-161E5-00	WASHER, PLATE	4	
34	90508-75651-00	SPRING, TORSION	1	
35	90508-75652-00	SPRING, TORSION	1	
36	80L-47480-00-00	SHOCK ABSORBER	1	
37	80L-47481-00-00	SHOCK ABSORBER 2	1	
38	90387-084J8-00	COLLAR	2	
39	90387-123G4-00	COLLAR	4	
40	8V0-47371-00-00	BUSH, PIVOT	2	
41	97313-08045-00	BOLT	2	
42	95712-08300-00	NUT, LOCK	2	
43	8V0-47332-00-00	ARM, PIVOT 2	1	
44	8K2-47475-00-00	SHAFT 2	1	
45	90109-10771-00	BOLT	2	
46	8V0-47365-00-00	COLLAR 1	2	
47	8V0-47384-00-00	WASHER	2	
48	8V0-47496-00-00	STOPPER 2	1	
49	90201-06407-00	WASHER, PLATE (90201-06747-00 )	2	
50	97011-06025-00	BOLT (97001-06025)	1	
51	95701-06300-00	NUT, NYLON	1	
52	90508-10579-00	SPRING, TORSION (L.H)	1	U.R. STD
	90508-99656-00	SPRING, TORSION	1	ALT. PART
53	90508-10580-00	SPRING, TORSION (R.H)	1	U.R. STD
	90508-99657-00	SPRING, TORSION (K178)	1	ALT. PART

CONTINUED ON NEXT FRAME ►

Property of [www.SmallEngineDiscount.com](http://www.SmallEngineDiscount.com) - Not for Resale

# TRACK SUSPENSION 2

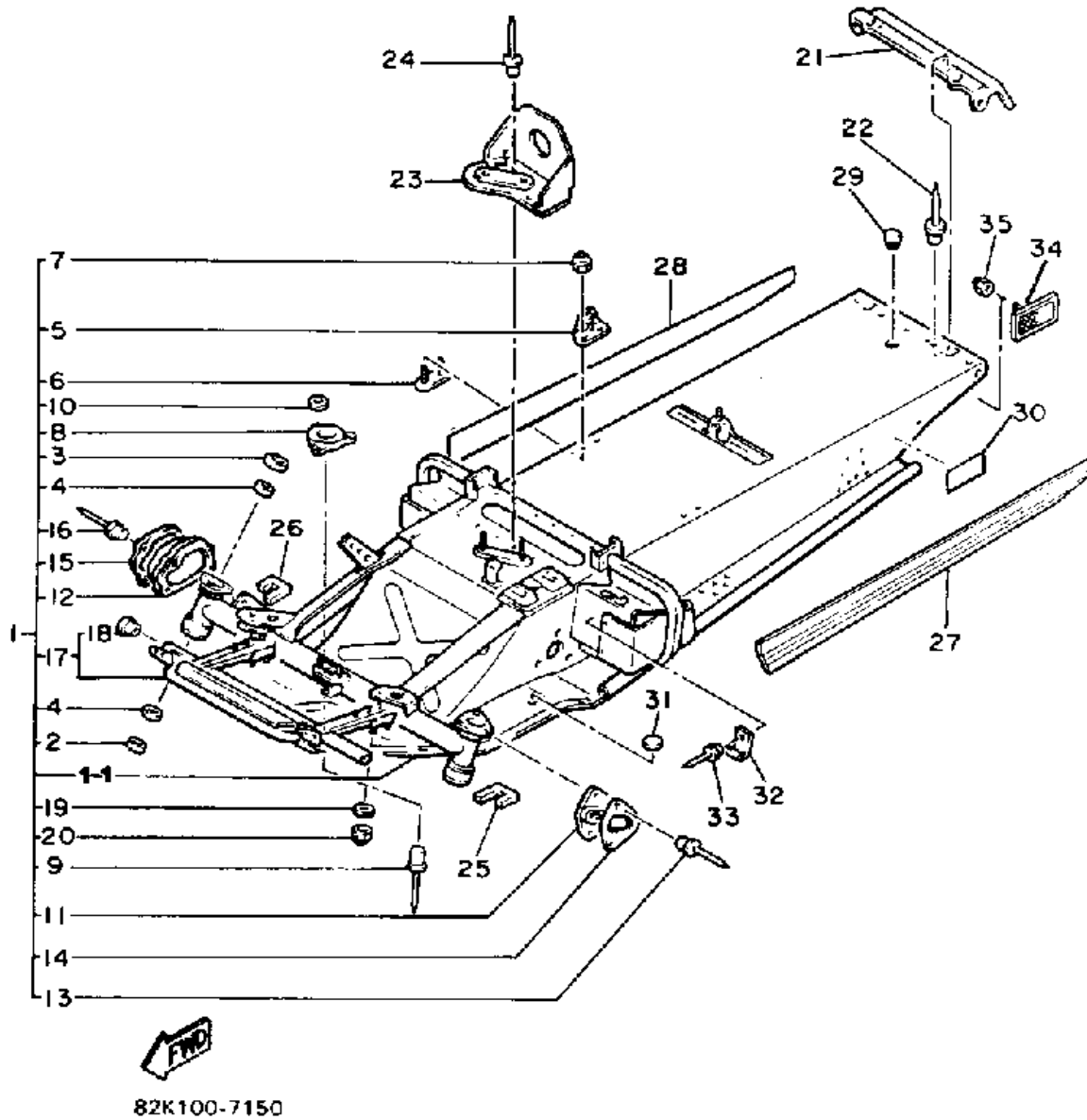


82K100-7240

Ref. No.	Part Number	Description	Qty	Remarks
54	86S-47446-01-00	HOOK 1 .....	2	
55	90201-06057-00	WASHER, PLATE .....	2	
56	97313-06016-00	BOLT, HEXAGON .....	2	
57	8V0-47486-00-00	SHAFT 4 .....	1	
58	8V0-47338-00-00	COLLAR .....	2	
59	95821-08025-00	BOLT, FLANGE .....	2	
60	890-47447-00-00	HOOK 2 .....	2	
61	95811-08055-00	BOLT, FLANGE .....	2	
62	90387-08262-00	COLLAR .....	2	
63	90387-12105-00	COLLAR .....	2	
64	92990-08600-00	WASHER, PLATE .....	2	
65	8V0-47467-00-00	PLATE, GUIDE .....	2	
66	8V0-47417-00-00	BRACKET 3 .....	1	
67	90387-08632-00	COLLAR .....	1	
68	90201-08649-00	WASHER, PLATE .....	2	
69	97022-08255-00	BOLT .....	1	
70	95712-08300-00	NUT, LOCK .....	1	
71	92990-08600-00	WASHER, PLATE .....	2	
72	90387-084J9-00	COLLAR .....	1	
73	97022-08165-00	BOLT .....	1	
74	95712-08300-00	NUT, LOCK .....	1	
75	8V0-47488-00-00	SHAFT 6 .....	1	
76	8K2-47479-01-00	COLLAR 3 .....	2	
77	90201-20279-00	WASHER, PLATE .....	4	
78	95701-10300-00	NUT, FLANGE (95702-10300) ..	2	

Property of [www.SmallEngineDiscount.com](http://www.SmallEngineDiscount.com) - Not for Resale

# FRAME

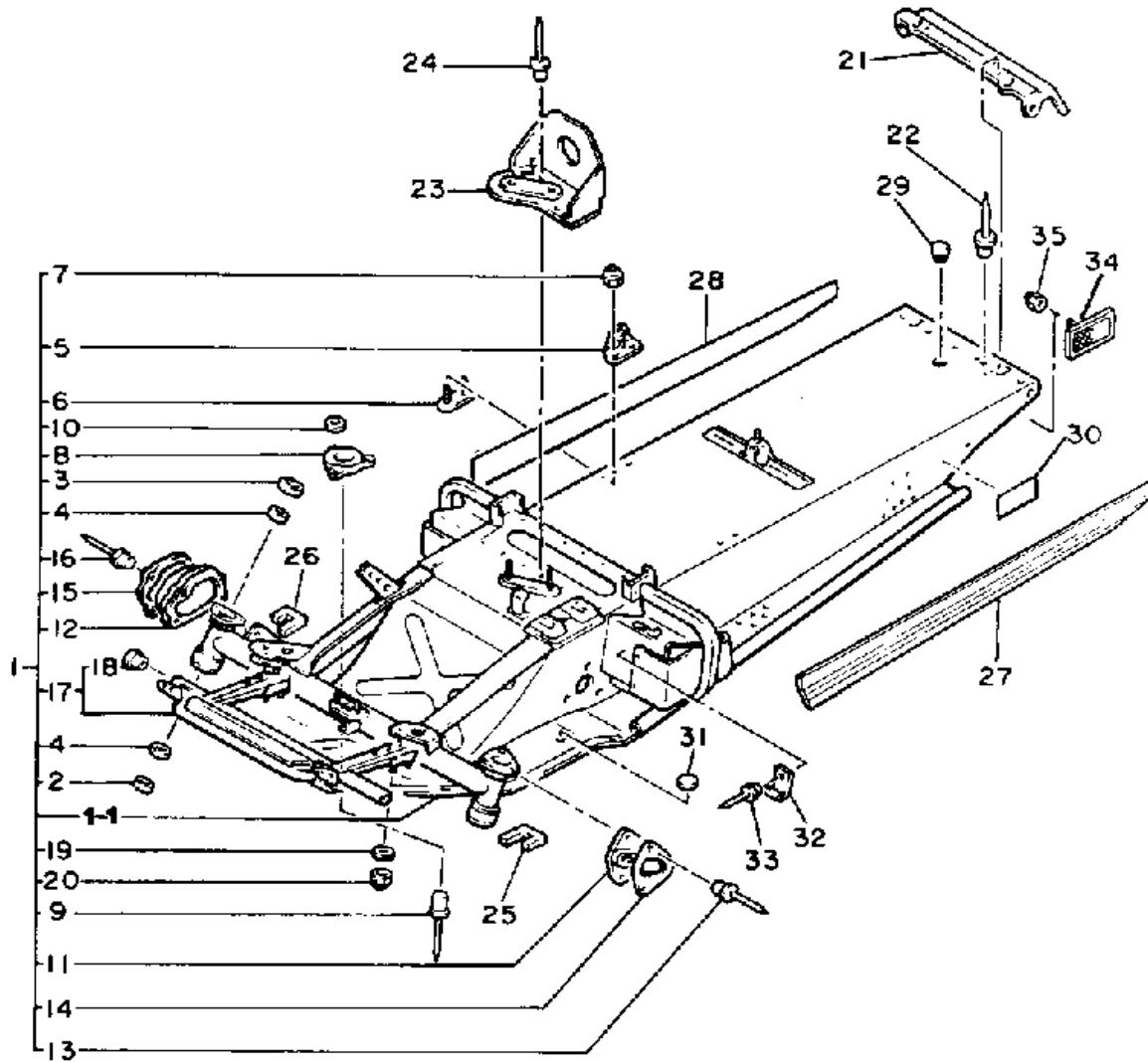


Ref. No.	Part Number	Description	Qty	Remarks
1	82K-21910-00-00	FRAME .....	1	
2	93103-44134-00	. OIL SEAL .....	2	
3	93102-44280-00	. OIL SEAL, SD-TYPE .....	2	
4	90384-44173-00	. BUSH, BIMETAL FORMED ...	4	
5	8V0-21946-00-00	. BRACKET, SEAT FITTING ...	2	
6	8V0-21966-00-00	. PATCH 6 .....	2	
7	95701-06300-00	. NUT, NYLON .....	4	
8	80L-21998-00-00	. SPACER .....	1	
9	90267-48051-00	. RIVET, BLIND .....	3	
10	90201-04325-00	. WASHER, PLATE .....	3	
11	80L-2198F-00-00	. COVER 1 .....	1	
12	80L-2198G-00-00	. COVER 2 .....	1	
13	90267-40105-00	. RIVET, BLIND .....	2	
14	80L-77525-00-00	. WASHER 1 .....	1	
15	80L-77526-00-00	. WASHER 2 .....	2	
16	90267-40029-00	. RIVET, BLIND .....	4	
17	82K-77512-00-00	. BUMPER, FRONT 2 .....	1	
18	90381-12047-00	. BUSH, SOLID .....	2	
19	90201-082E7-00	. WASHER, PLATE .....	4	
20	95712-08300-00	. NUT, LOCK .....	4	
21	8V0-21923-01-00	REINFORCEMENT, FRAME REAR 1 .....	1	
22	90267-48053-00	RIVET, BLIND .....	7	
23	80L-2194R-00-00	BRACKET, FUEL TNK 2 .....	1	
24	90267-48053-00	RIVET, BLIND .....	3	
25	80L-7717G-00-00	TAPE 3 .....	1	
26	80L-7717H-00-00	TAPE 4 .....	1	
27	82K-77351-00-00	EMBLEM 1 .....	1	
28	82K-77352-00-00	EMBLEM 2 .....	1	

CONTINUED ON NEXT FRAME ►

Property of [www.SmallEngineDiscount.com](http://www.SmallEngineDiscount.com) - Not for Resale

# FRAME

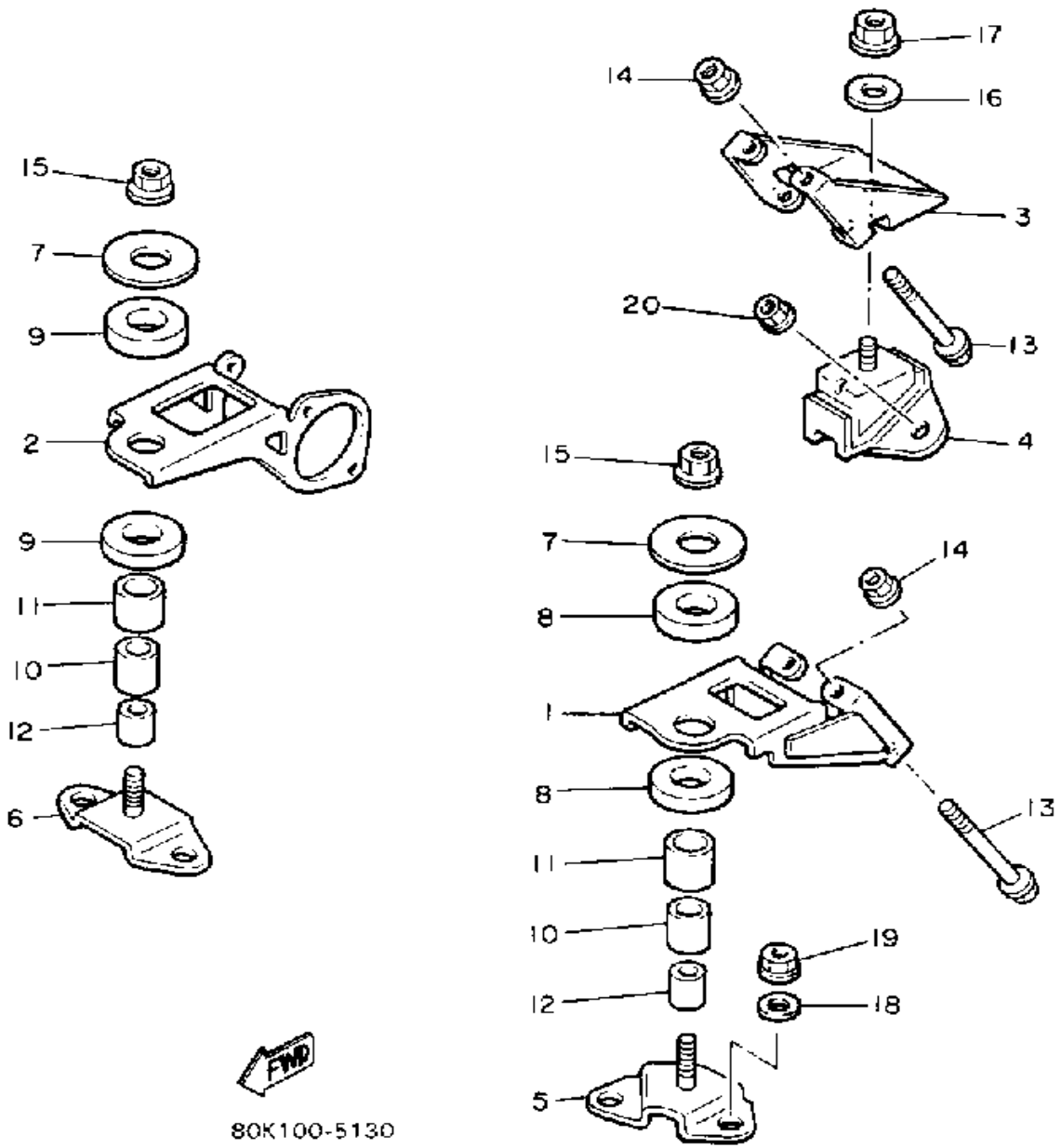


82K100-7150

Ref. No.	Part Number	Description	Qty	Remarks
29	810-77716-00-00	ORNAMENT, INSTRUMENT PANEL 2 .....	1	
30	8K2-77742-00-00	INDICATOR 2 .....	1	
31	80F-21998-00-00	SPACER .....	1	
32	90461-05003-00	CLAMP .....	1	
33	90267-48053-00	RIVET, BLIND .....	1	
34	3Y6-85130-02-00	REAR REFLECTOR ASSEMBLY	2	
35	95701-05300-00	NUT, NYLON .....	2	
1-1	8X9-21912-00-00	. BELLY PAN (80L-21912-00) ..	1	

Property of [www.SmallEngineDiscount.com](http://www.SmallEngineDiscount.com) - Not for Resale

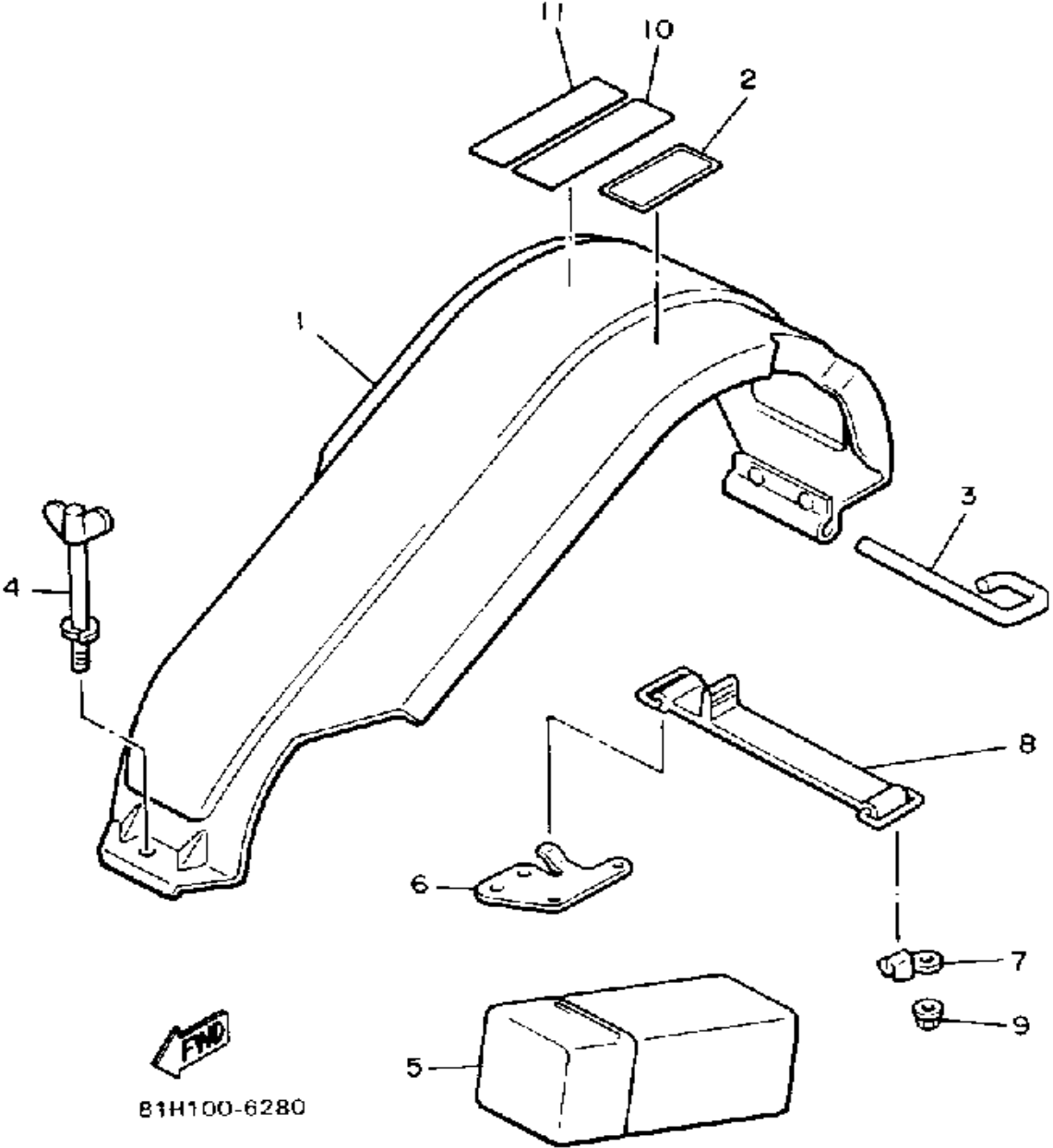
# ENGINE BRACKET



Ref. No.	Part Number	Description	Qty	Remarks
1	8V0-21411-00-00	BRACKET, ENGINE 1	1	
2	8V0-21419-00-00	BRACKET, ENGINE 2	1	
3	8V0-21429-01-00	BRACKET, ENGINE 3	1	
4	8V0-21486-00-00	DAMPER 2	1	
5	80L-21417-00-00	BRACKET, FRT LWR 1	1	
6	80L-21418-00-00	BRACKET, FRT LWR 2	1	
7	90201-10151-00	WASHER, PLATE	2	
8	8V0-21485-00-00	DAMPER, RUBBER 1	2	
9	8A5-21485-00-00	DAMPER, RUBBER 1	2	
10	90385-15025-00	BUSH, SPEC'L RUBBER	2	
11	90387-21515-00	COLLAR	2	
12	90387-10514-00	COLLAR	2	
13	95811-08065-00	BOLT, FLANGE	4	
14	95701-08500-00	NUT, FLANGE	4	
15	95701-10500-00	NUT, FLANGE (95702-10500)	2	
16	90201-10321-00	WASHER, PLATE	1	
17	95701-10500-00	NUT, FLANGE (95702-10500)	1	
18	90201-10321-00	WASHER, PLATE	4	
19	95701-10500-00	NUT, FLANGE (95702-10500)	4	
20	95701-08500-00	NUT, FLANGE	2	

Property of [www.SmallEngineDiscount.com](http://www.SmallEngineDiscount.com) - Not for Resale

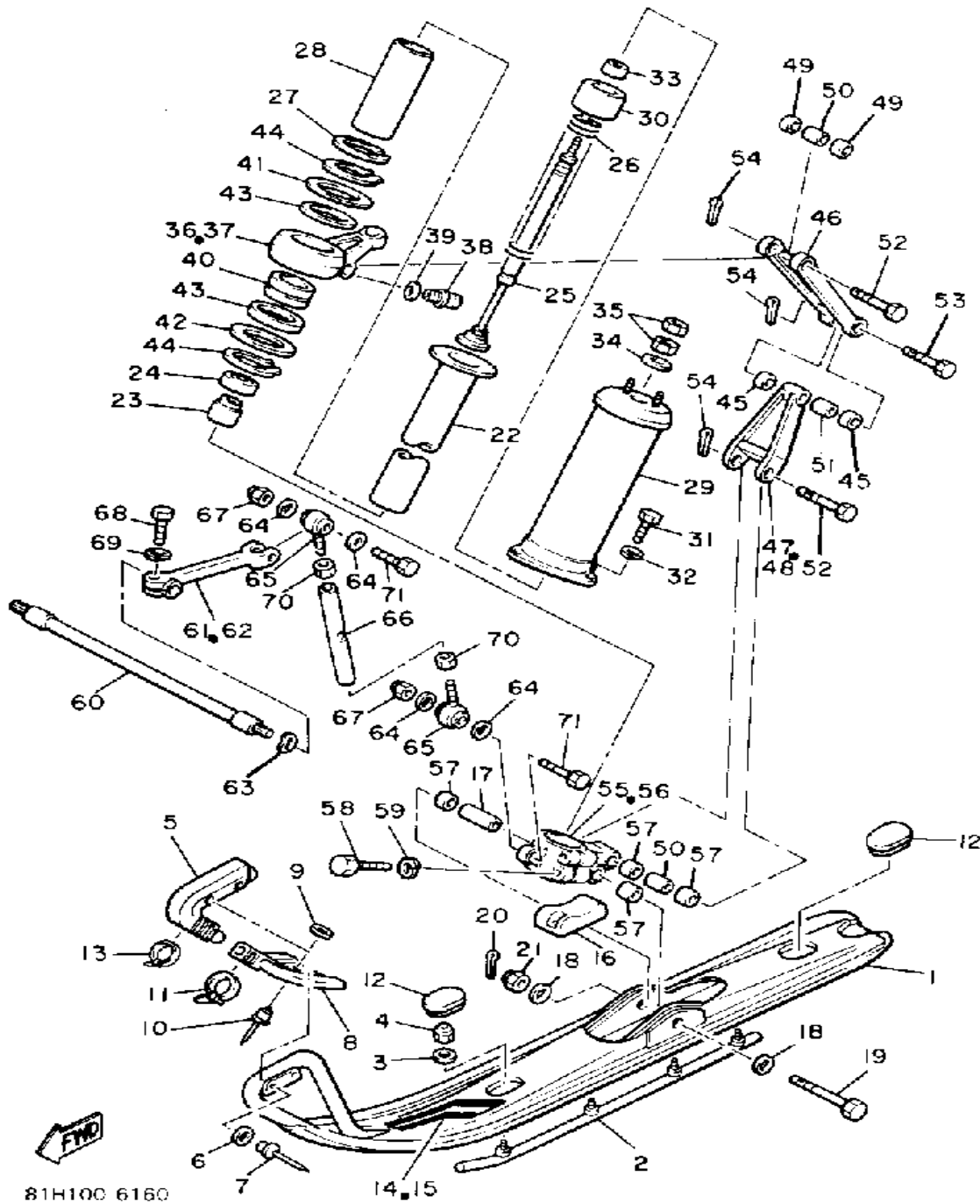
# GUARD-LUGGAGE BOX



Ref. No.	Part Number	Description	Qty	Remarks
1	8V0-77311-00-00	GUARD, DRIVE	1	
2	898-77762-00-00	LABEL, WARNING 2	1	
3	86V-77384-00-00	PIN	1	
4	8V0-77387-00-00	SCREW	1	
5	8V0-W2810-00-00	TOOL KIT	1	
6	8V0-21945-00-00	BRACKET, TOOL BOX FITTING	1	
7	8V0-21955-00-00	BRACKET, TOOL BOX FITTING	1	
8	4J2-82131-01-00	BAND, BATTERY	1	
9	95701-06500-00	NUT, FLANGE	2	
10	8Y7-47578-00-00	LABEL 1	1	
11	81H-1417E-00-00	LABEL, CAUTION	1	

Property of [www.SmallEngineDiscount.com](http://www.SmallEngineDiscount.com) - Not for Resale

# SKI



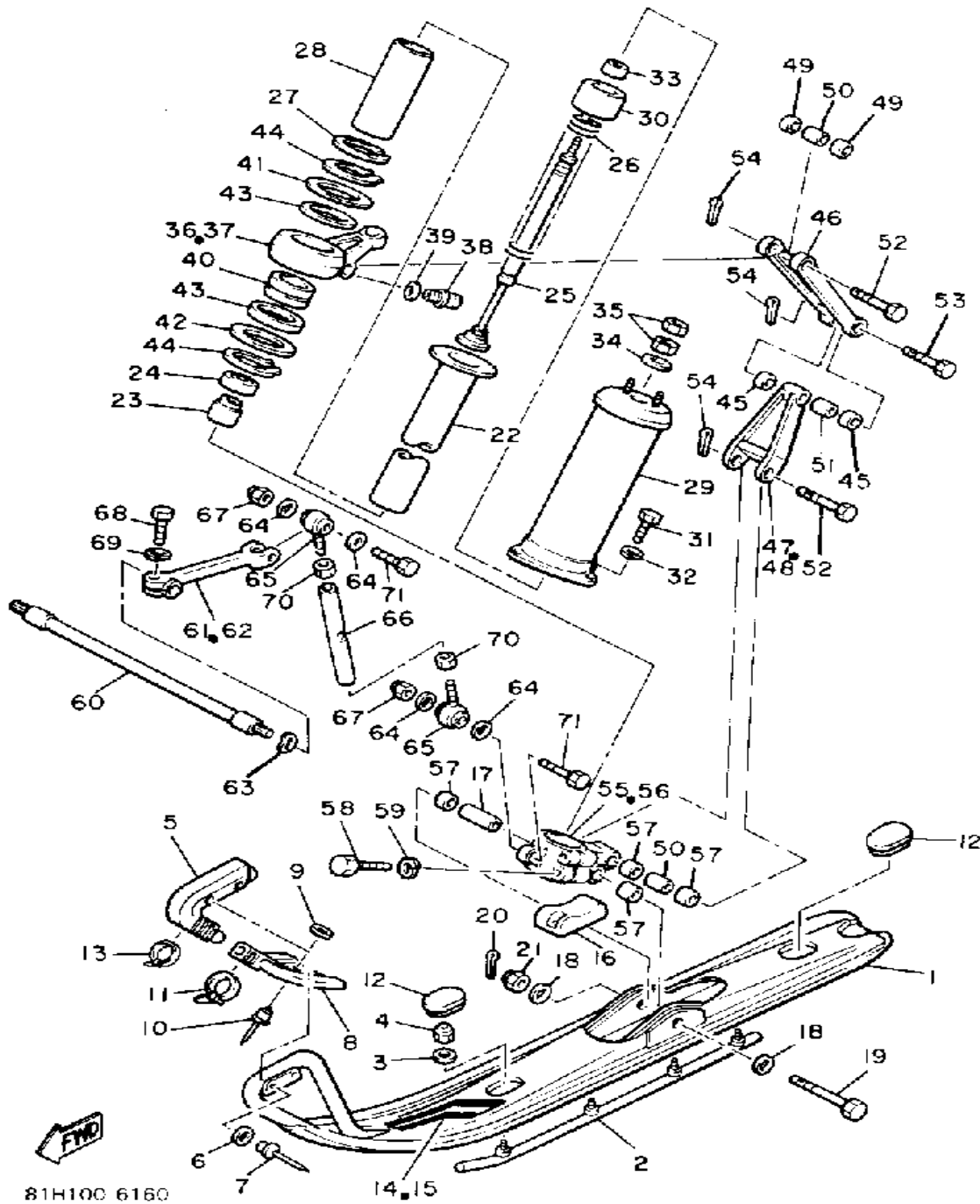
Ref. No.	Part Number	Description	Qty	Remarks
1	8V0-23710-02-00	SKI 1	2	
2	VMX-23731-01-XX	RUNNER 1 (8M6-23731-01-00)	2	
3	92990-08600-00	WASHER, PLATE	8	
4	95611-08100-00	NUT, U	8	
5	8M6-23747-00-00	PROTECTOR, SKI	2	
6	90201-042E0-00	WASHER, PLATE	8	
7	90267-40029-00	RIVET, BLIND	8	
8	8V0-23748-00-00	PROTECTOR, SKI 2	2	
9	90201-042E0-00	WASHER, PLATE	2	
10	90267-40110-00	RIVET, BLIND	2	
11	90465-13169-00	CALMP	2	
12	8V0-23741-00-00	CAP 1	4	
13	12R-82591-00-00	BAND	2	
14	82L-77365-00-00	EMBLEM 0	1	
15	82L-77366-00-00	EMBLEM 1	1	
16	8V0-23743-01-00	STOPPER 1	2	
17	90387-106J3-00	COLLAR	2	
18	92906-10600-00	WASHER	4	
19	90102-10050-00	BOLT, WITH HOLE	2	
20	91490-20020-00	PIN, COTTER	2	
21	95706-10300-00	NUT, NYLON	2	
22	8V0-22471-00-00	CYLINDER, SHOCK ABSORBER	2	
23	8V0-23768-00-00	SEAT, SPRING 1	2	
24	93399-99908-00	BEARING, SPECIAL	2	
25	80L-2376A-00-00	ABSORBER ASSEMBLY (8V0-2376A-00)	2	
26	90501-60718-00	SPRING, COMPRESSION	2	
27	8V0-22494-00-00	STOP, REBOUND	2	

CONTINUED ON NEXT FRAME ►

Property of [www.SmallEngineDiscount.com](http://www.SmallEngineDiscount.com) - Not for Resale



# SKI

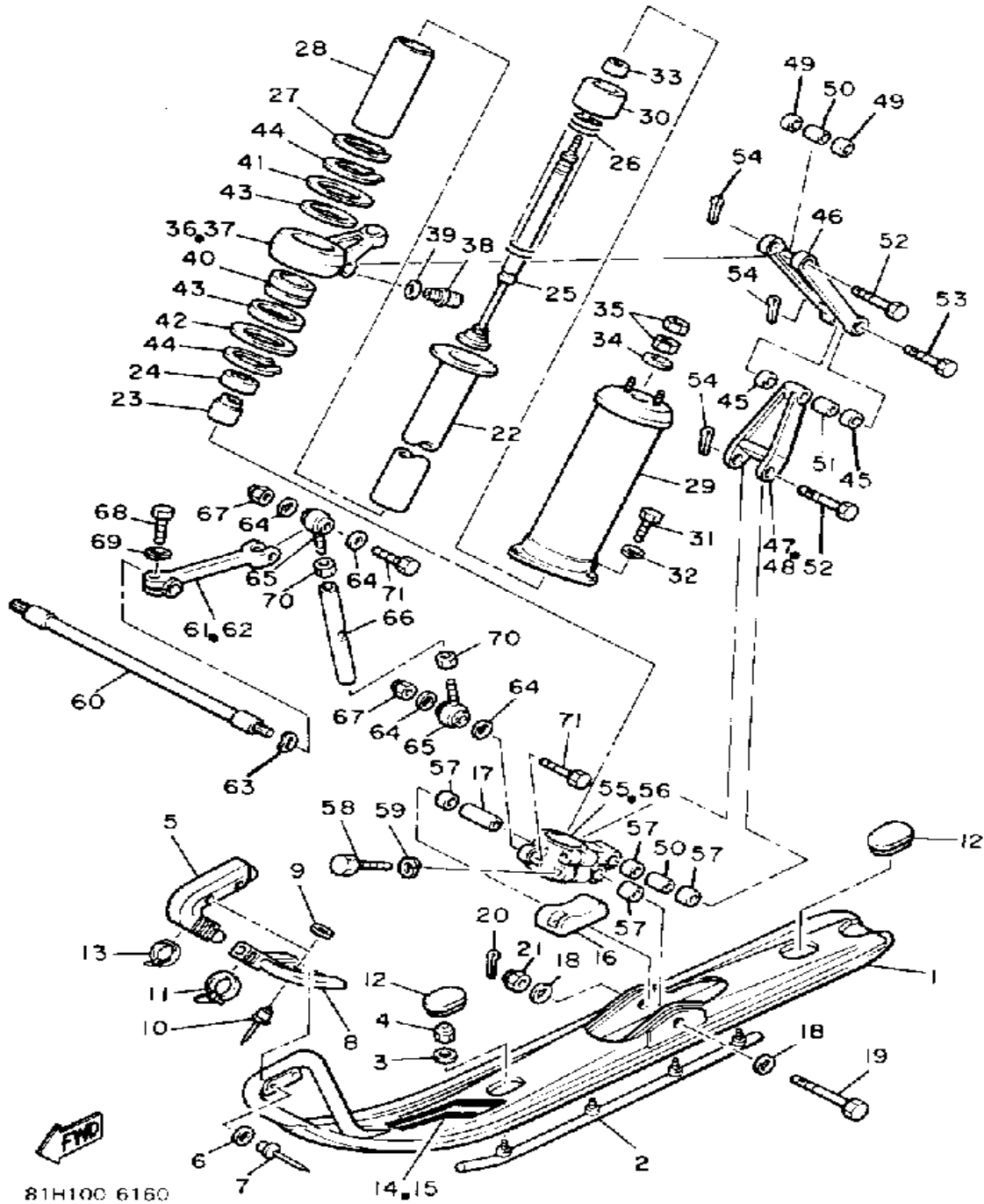


Ref. No.	Part Number	Description	Qty	Remarks
28	8V0-2376R-00-00	PROTECTOR	2	
29	8V0-2376J-00-00	HOLDER, ABSORBER	2	
30	8V0-22493-00-00	BUMP, STOP	2	
31	97016-06020-00	BOLT	6	
32	92906-06100-00	WASHER, SPRING	6	
33	8V0-2386J-00-00	CUSHION	2	
34	92990-08200-00	WASHER, PLAIN	1	
35	95303-08700-00	NUT	4	
36	8V0-23851-01-00	ARM, OUTSIDE 1	1	
37	8V0-23852-01-00	ARM, OUTSIDE 2	1	
38	93700-06M03-00	NIPPLE, GREASE	2	
39	90201-067F9-00	WASHER, PLATE	2	
40	90384-63188-00	BUSH, BIMETAL FORMED	2	
41	90201-637F3-00	WASHER, PLATE	1	
42	90201-635H7-00	WASHER, PLATE	1	
43	93109-63044-00	OIL SEAL	4	
44	93410-63066-00	CIRCLIP	4	
45	90384-14091-00	BUSH, BIMETAL FORMED	4	
46	8V0-2382E-01-00	ARM, FRONT 1	2	
47	8V0-2382F-02-00	ARM, FRONT 2 (L, H)	1	
48	8V0-2383F-02-00	ARM, FRONT4 (R, H)	1	
49	90384-14096-00	BUSH, BIMETAL FORMED	4	
50	90387-101Y9-00	COLLAR	4	
51	90387-100A4-00	COLLAR	2	
52	90102-10054-00	BOLT, WITH HOLE	4	
53	90102-10055-00	BOLT, WITH HOLE	2	
54	91490-20020-00	PIN, COTTER	6	
55	8V0-2376E-01-00	BRACKET, 1	1	
56	8V0-2377E-01-00	BRACKET 2	1	

CONTINUED ON NEXT FRAME ►

Property of [www.SmallEngineDiscount.com](http://www.SmallEngineDiscount.com) - Not for Resale

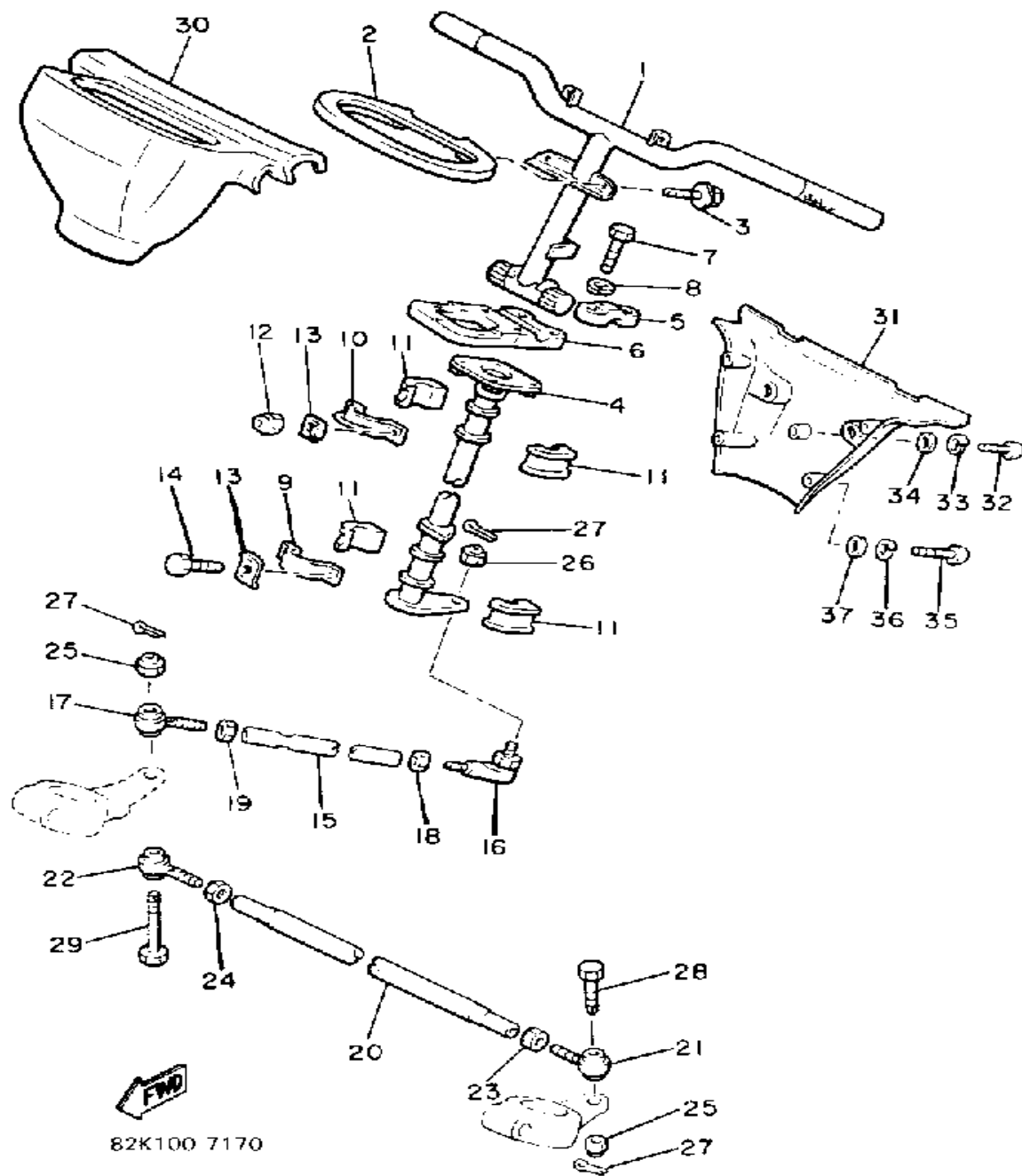
# SKI



Ref. No.	Part Number	Description	Qty	Remarks
57	90384-14091-00	BUSH, BIMETAL FORMED	8	
58	97026-08035-00	BOLT (TJ)	4	
59	92906-08100-00	WASHER, SPRING	4	
60	8V0-2386E-01-00	BAR, STABLZR FRONT	1	
61	8V0-2386L-01-00	ARM, STABILIZER 1	1	
62	8V0-2386M-01-00	ARM, STABILIZER 2	1	
63	90206-12052-00	WASHER, WAVE	2	
64	90201-08624-00	WASHER, PLATE	8	
65	J45-23841-00-00	JOINT UNIVERSAL 1 (8V0-23841-02)	4	
66	8V0-2386F-01-00	LINK, STABLZR FRONT	2	
67	95616-08100-00	NUT, U	4	
68	97016-06025-00	BOLT	2	
69	92906-06100-00	WASHER, SPRING	2	
70	95316-08700-00	NUT (2GV)	4	
71	97026-08035-00	BOLT (TJ)	4	

Property of [www.SmallEngineDiscount.com](http://www.SmallEngineDiscount.com) - Not for Resale

# STEERING

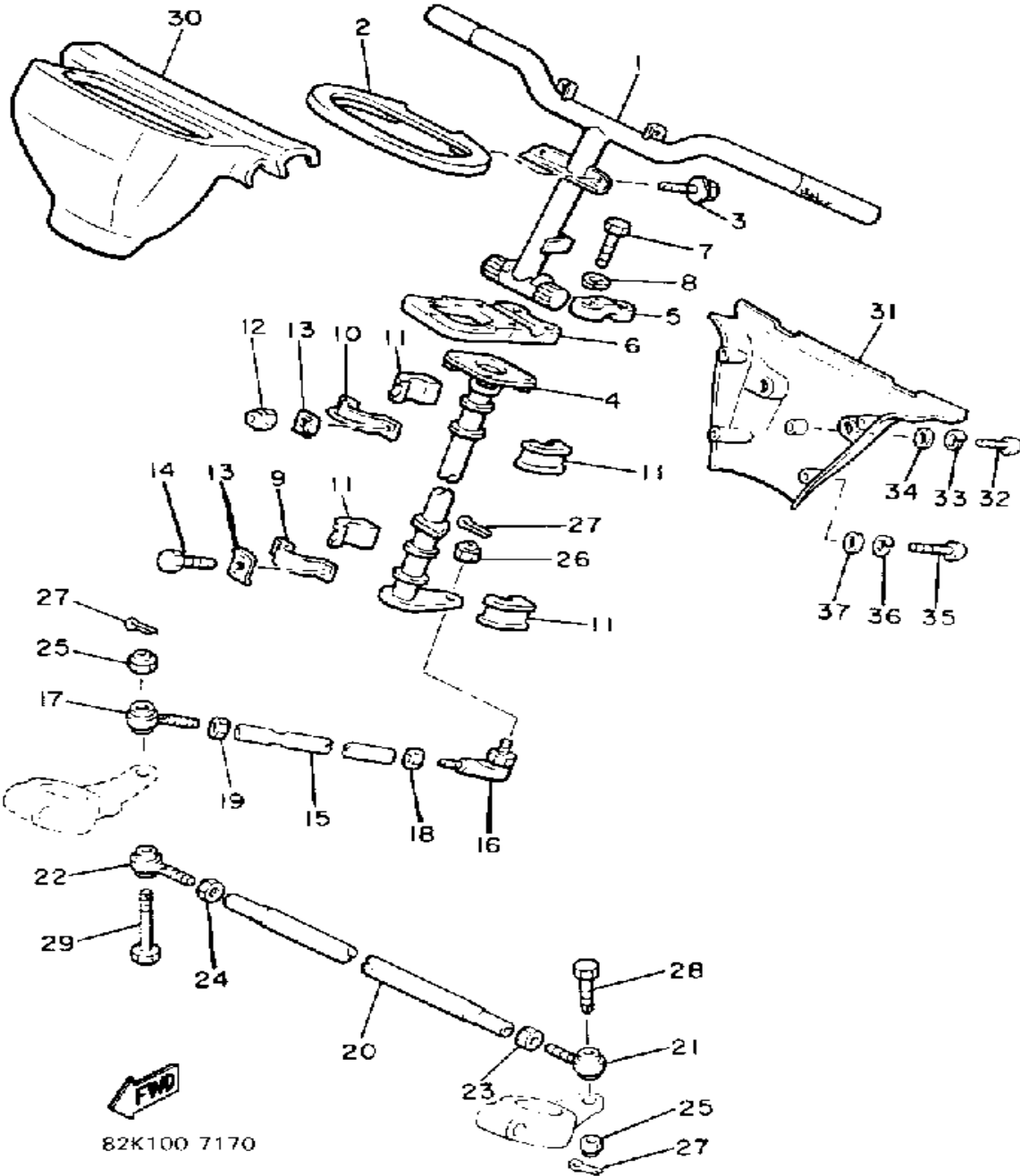


Ref. No.	Part Number	Description	Qty	Remarks
1	81J-23811-00-00	COLUMN, STEERING .....	1	
2	8V0-23878-00-00	BRACKET 0 .....	1	
3	95811-06010-00	BOLT, FLANGE .....	2	
4	8V0-23813-00-00	COLUMN, STEERING 2 .....	1	
5	1E6-23441-00-00	HOLDER, HANDLE UPR .....	2	
6	8V0-23814-01-00	HOLDER, HANDLE UPPER ...	1	
7	97022-08055-00	BOLT .....	4	
8	92990-08100-00	WASHER .....	4	
9	84M-23868-00-00	BRACKET, STEERING LOWER	1	
10	84M-23872-00-00	HOLDER, BEARING .....	1	
11	8F3-23812-00-00	PLANE BEARING, STEERING .	4	
12	95712-08300-00	NUT, LOCK .....	2	
13	90215-08262-00	WASHER, LOCK .....	4	
14	97011-08016-00	BOLT .....	2	
15	8V0-23821-01-00	ROD, STEERING RELAY .....	1	
16	86X-23841-00-00	JOINT, UNIVERSAL 1 .....	1	
17	87S-23847-00-00	JOINT, UNIVERSAL 3 .....	1	
18	95303-10700-00	NUT .....	1	
19	90170-10186-00	NUT .....	1	
20	8V0-23831-01-00	ROD, TIE .....	1	
21	87S-23845-00-00	JOINT, UNIVERSAL 2 .....	1	
22	87S-23847-00-00	JOINT, UNIVERSAL 3 .....	1	
23	95303-10700-00	NUT .....	1	
24	90170-10186-00	NUT .....	1	
25	95706-10300-00	NUT, NYLON .....	2	
26	90185-10085-00	NUT, SELF-LOCKING .....	1	
27	91402-25018-00	PIN, COTTER .....	3	
28	90102-10031-00	BOLT, WITH HOLE .....	1	
29	90109-10767-00	BOLT .....	1	

CONTINUED ON NEXT FRAME ➤

Property of [www.SmallEngineDiscount.com](http://www.SmallEngineDiscount.com) - Not for Resale

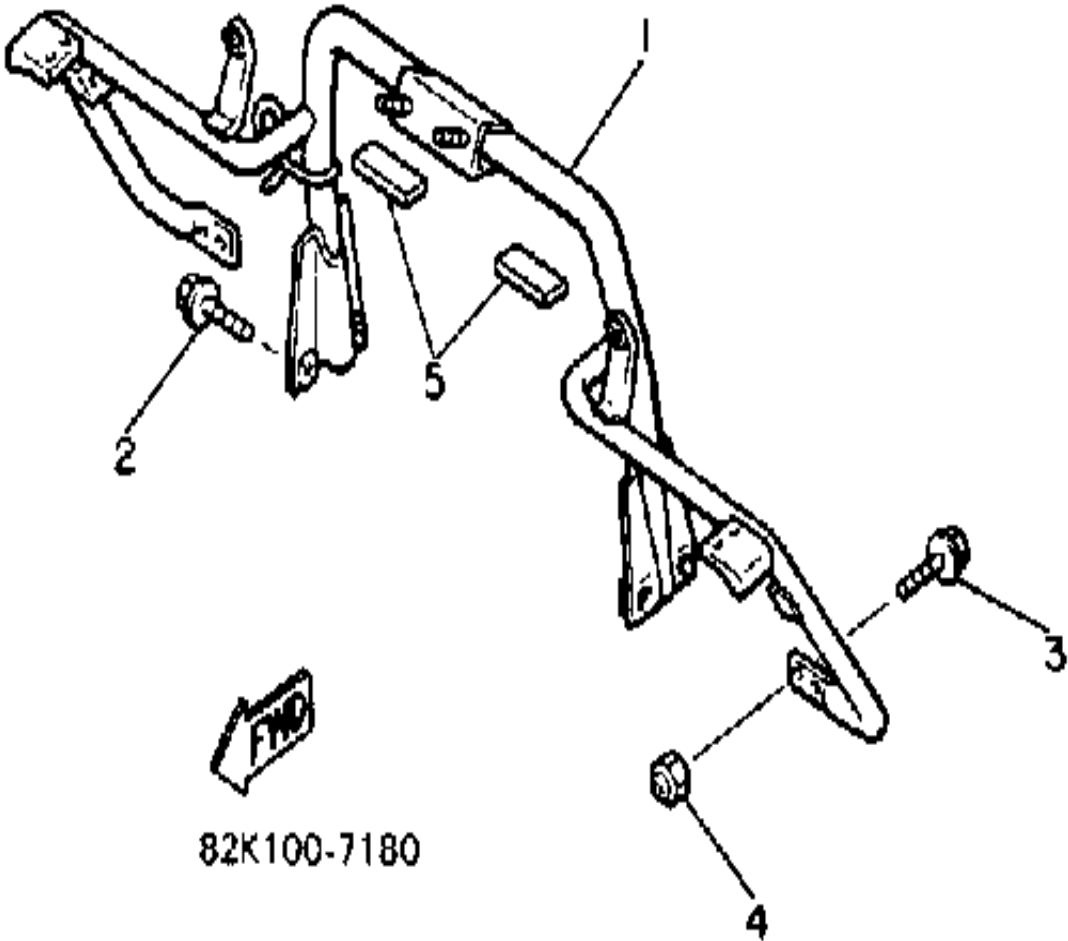
# STEERING



Ref. No.	Part Number	Description	Qty	Remarks
30	8X9-23815-00-00	PAD, STEERING	1	
31	80L-23817-01-00	PAD, STEERING	1	
32	98506-05010-00	SCREW, PAN HEAD	1	
33	92906-05100-00	WASHER, SPRING	1	
34	92906-05200-00	WASHER, PLAIN	1	
35	98506-05030-00	SCREW, PAN HEAD	4	
36	92906-05100-00	WASHER, SPRING	4	
37	92906-05600-00	WASHER, PLATE	4	

Property of [www.SmallEngineDiscount.com](http://www.SmallEngineDiscount.com) - Not for Resale

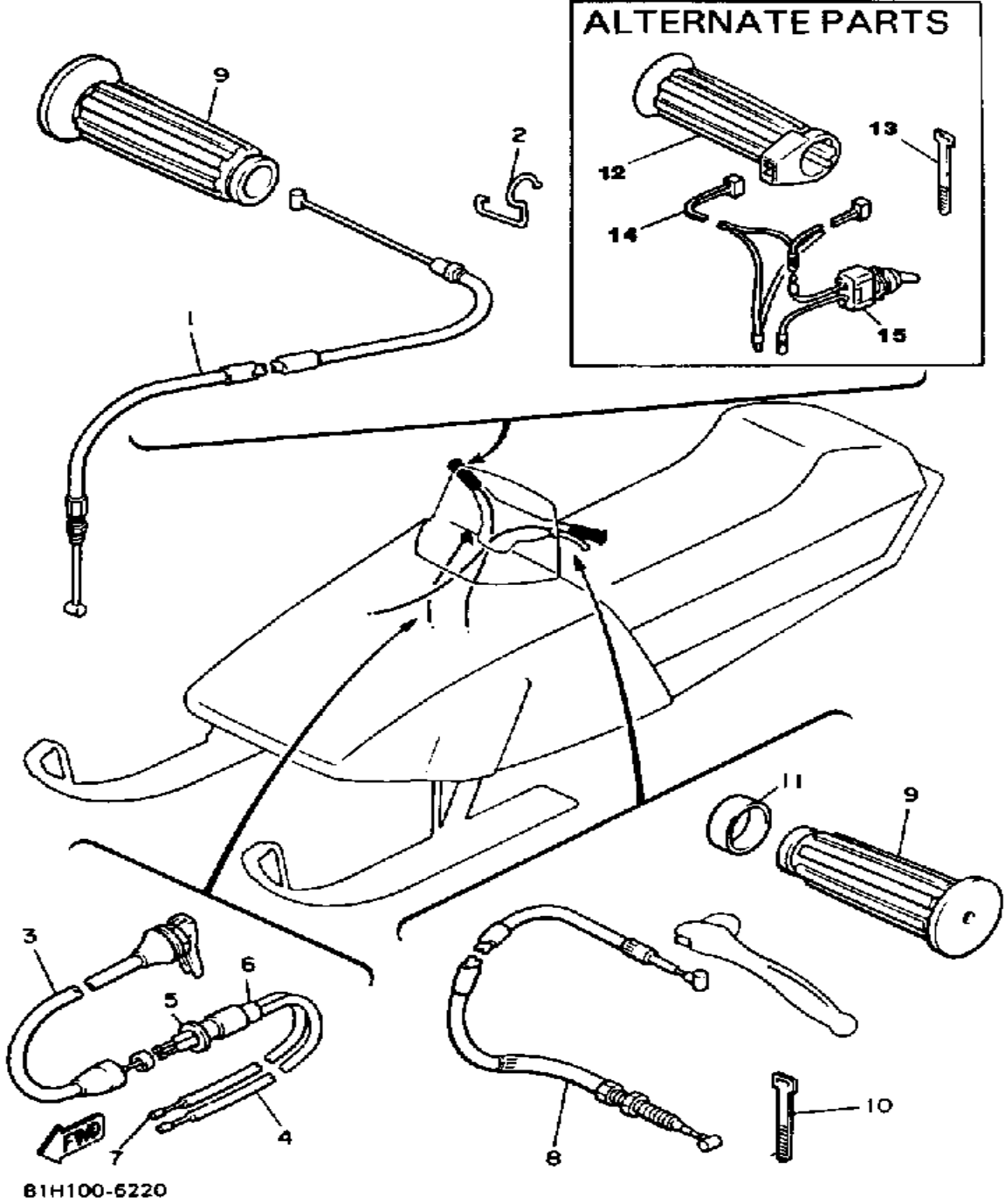
# STEERING GATE



Ref. No.	Part Number	Description	Qty	Remarks
1	83V-23870-00-00	STEERING GATE COMP (8V0-23870-00)	1	
2	95816-08012-00	BOLT, flange	4	
3	95811-06030-00	BOLT, FLANGE	4	
4	95701-06300-00	NUT, NYLON	4	
5	8V0-23858-00-00	SPACER	2	

Property of [www.SmallEngineDiscount.com](http://www.SmallEngineDiscount.com) - Not for Resale

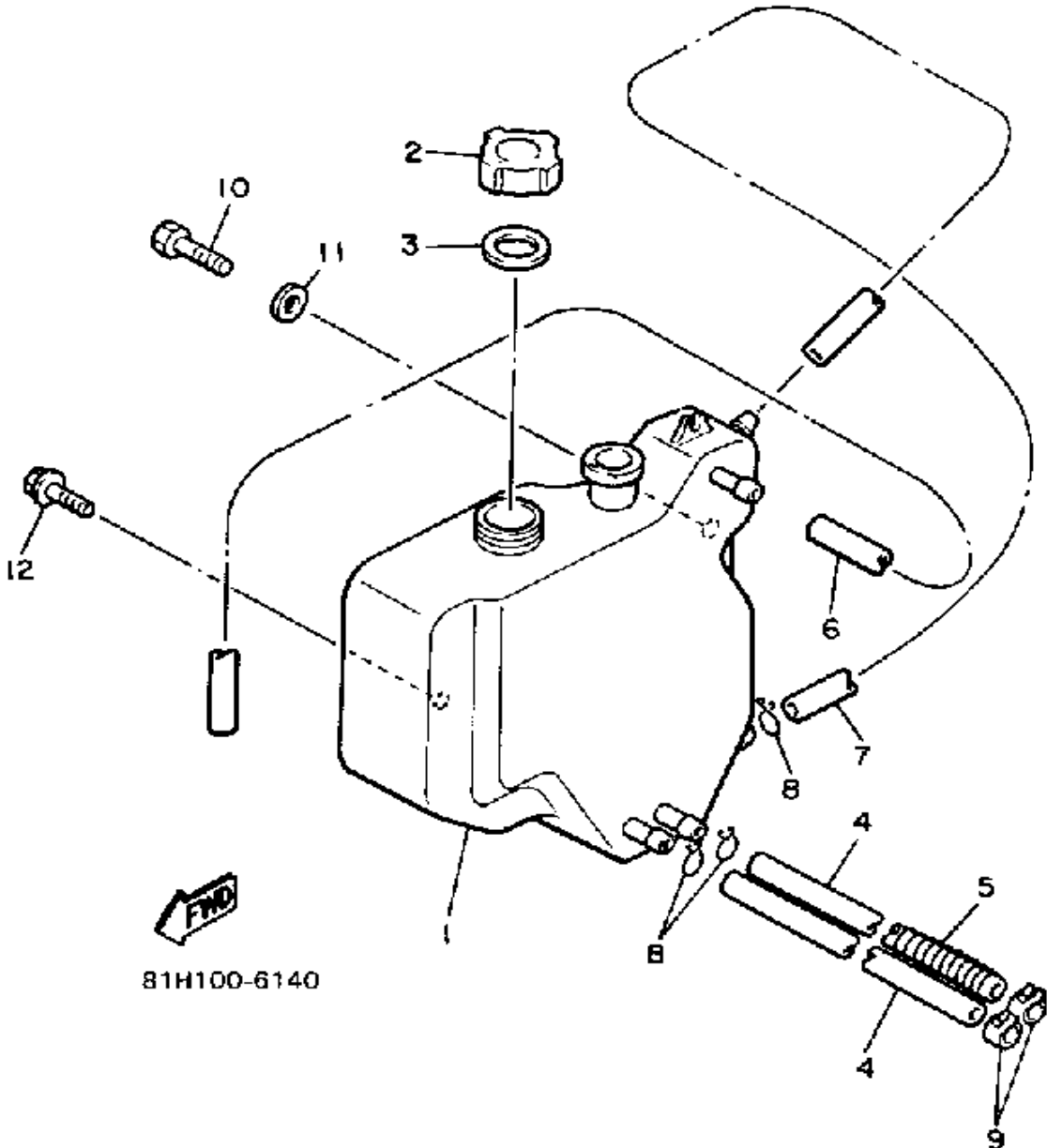
# CONTROL - CABLE



Ref. No.	Part Number	Description	Qty	Remarks
1	85F-26311-00-00	CABLE, THROTTLE 1	1	
2	90465-10189-00	CLAMP	1	
3	8V0-26331-00-00	CABLE, STARTER 1	1	
4	8M6-26334-00-00	CABLE, STARTER 2	1	
5	4U1-26261-00-00	CONNECTOR, CABLE	1	
6	5L6-26272-00-00	CAP	1	
7	8V0-26334-00-00	CABLE, STARTER 2	1	
8	8V0-26340-00-00	CABLE, BRAKE	1	
9	8W6-26241-00-00	GRIP LH	2	
10	341-26397-01-00	BAND	1	
11	90387-22726-00	COLLAR	1	
12	80K-2626A-00-00	GRIP, WARMER	2	
13	437-83936-01-00	BAND, SWITCH CORD	2	
14	80X-82318-00-00	WIRE, SUB-LEAD	2	
15	82J-82917-00-00	SWITCH	1	

Property of [www.SmallEngineDiscount.com](http://www.SmallEngineDiscount.com) - Not for Resale

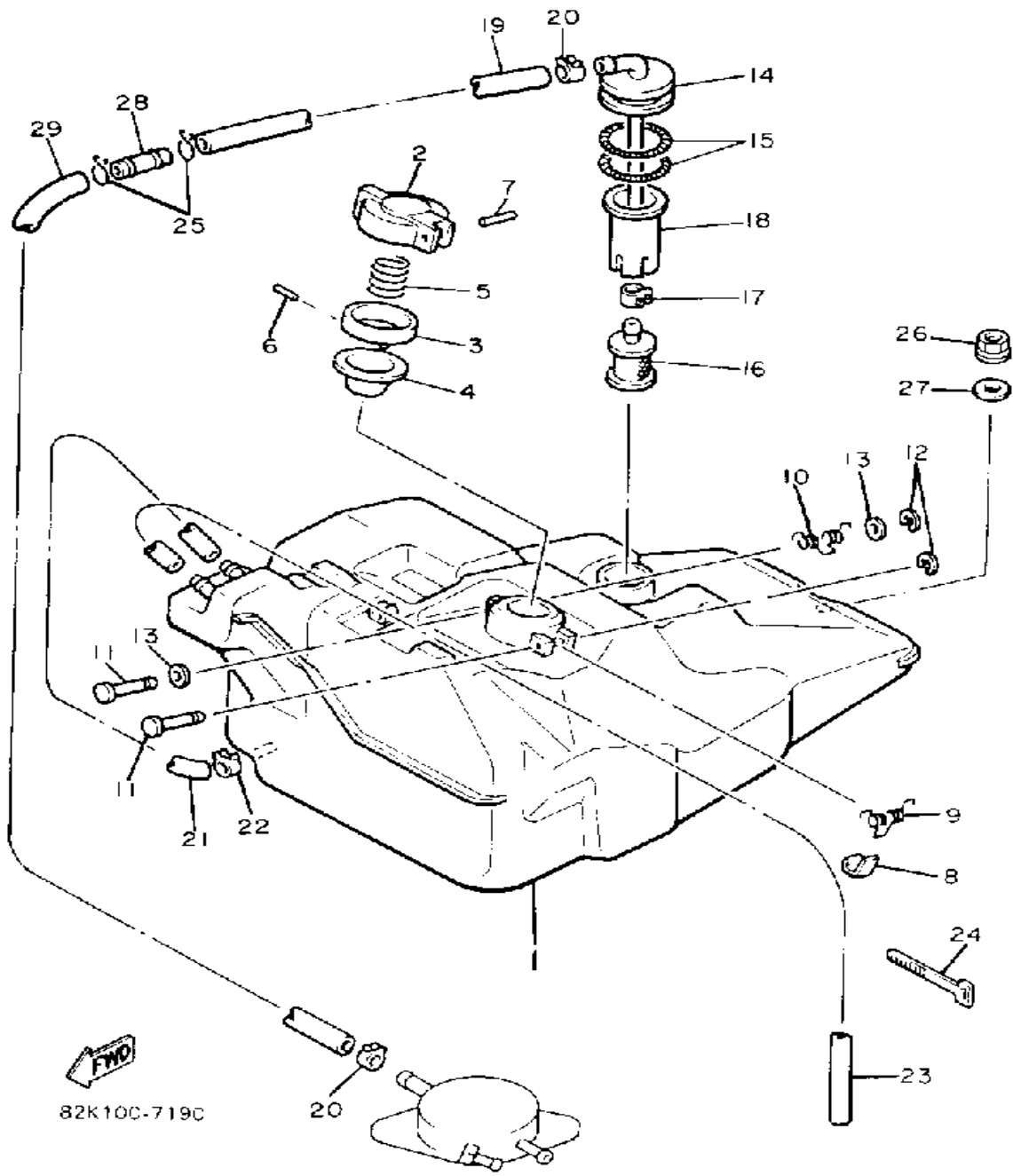
# OIL TANK



Ref. No.	Part Number	Description	Qty	Remarks
1	8V0-21751-02-00	TANK, OIL .....	1	
2	863-21771-00-00	BODY, CAP .....	1	
3	90430-31003-00	GASKET .....	1	
4	90446-09088-00	HOSE .....	2	
5	8F3-24328-00-00	PROTECTOR, PIPE .....	1	
6	90446-09016-00	HOSE .....	1	
7	90446-09224-00	HOSE .....	1	
8	90467-09005-00	CLIP, SCISSOR .....	3	
9	90467-09026-00	CLIP .....	2	
10	97011-06010-00	BOLT .....	1	
11	92990-06600-00	WASHER, PLATE .....	1	
12	90119-06056-00	BOLT, WITH WASHER .....	1	

Property of [www.SmallEngineDiscount.com](http://www.SmallEngineDiscount.com) - Not for Resale

# FUEL TANK



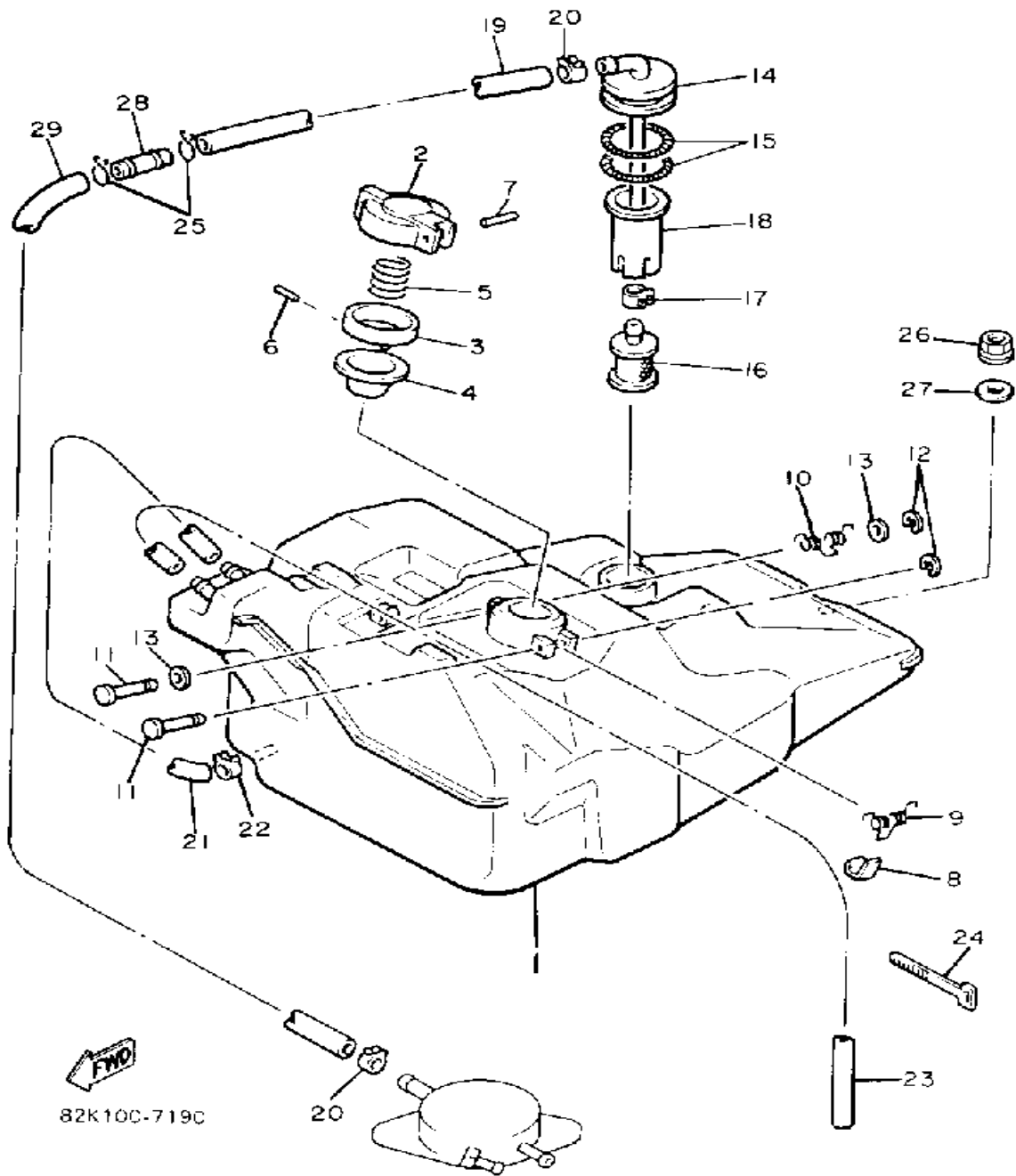
Ref. No.	Part Number	Description	Qty	Remarks
1	8V0-24111-03-00	TANK, FUEL .....	1	
2	813-24611-01-00	BODY, CAP .....	1	
3	813-24613-01-00	DISC, CAP .....	1	
4	8F7-24641-00-00	GASKET, CAP 1 .....	1	
5	90501-20130-00	SPRING, COMPRESSION .....	1	
6	91609-30016-00	PIN, SPRING .....	1	
7	91609-25032-00	PIN, SPRING .....	1	
8	83M-24628-00-00	HOOK .....	1	
9	90508-10715-00	SPRING, TORSION .....	1	
10	90508-08353-00	SPRING, TORSION .....	1	
11	90249-03017-00	PIN .....	2	
12	93430-02001-00	CIRCLIP .....	2	
13	90201-03313-00	WASHER, PLATE .....	2	
14	86M-24335-00-00	PIPE, SUCTION 1 .....	1	
15	90506-06065-00	SPRING, TENSION .....	2	
16	8H5-24560-00-00	FILTER ASSEMBLY .....	1	
17	90467-11028-00	CLIP .....	1	
18	8V0-24336-00-00	PIPE, SUCTION 2 .....	1	
19	90446-11265-00	HOSE (8V0) .....	1	
20	90467-11028-00	CLIP .....	2	
21	90446-09013-00	HOSE (90446-09079) .....	1	
22	90467-09026-00	CLIP .....	1	
23	90446-09155-00	HOSE .....	1	
24	341-26397-01-00	BAND .....	8	
25	90467-11009-00	CLIP .....	2	
26	95712-08300-00	NUT, LOCK .....	1	
27	90201-08784-00	WASHER, PLATE .....	1	
28	878-24379-00-00	PIPE, JOINT 4 .....	1	
29	90446-11290-00	HOSE .....	1	

CONTINUED ON NEXT FRAME ➤

Property of [www.SmallEngineDiscount.com](http://www.SmallEngineDiscount.com) - Not for Resale



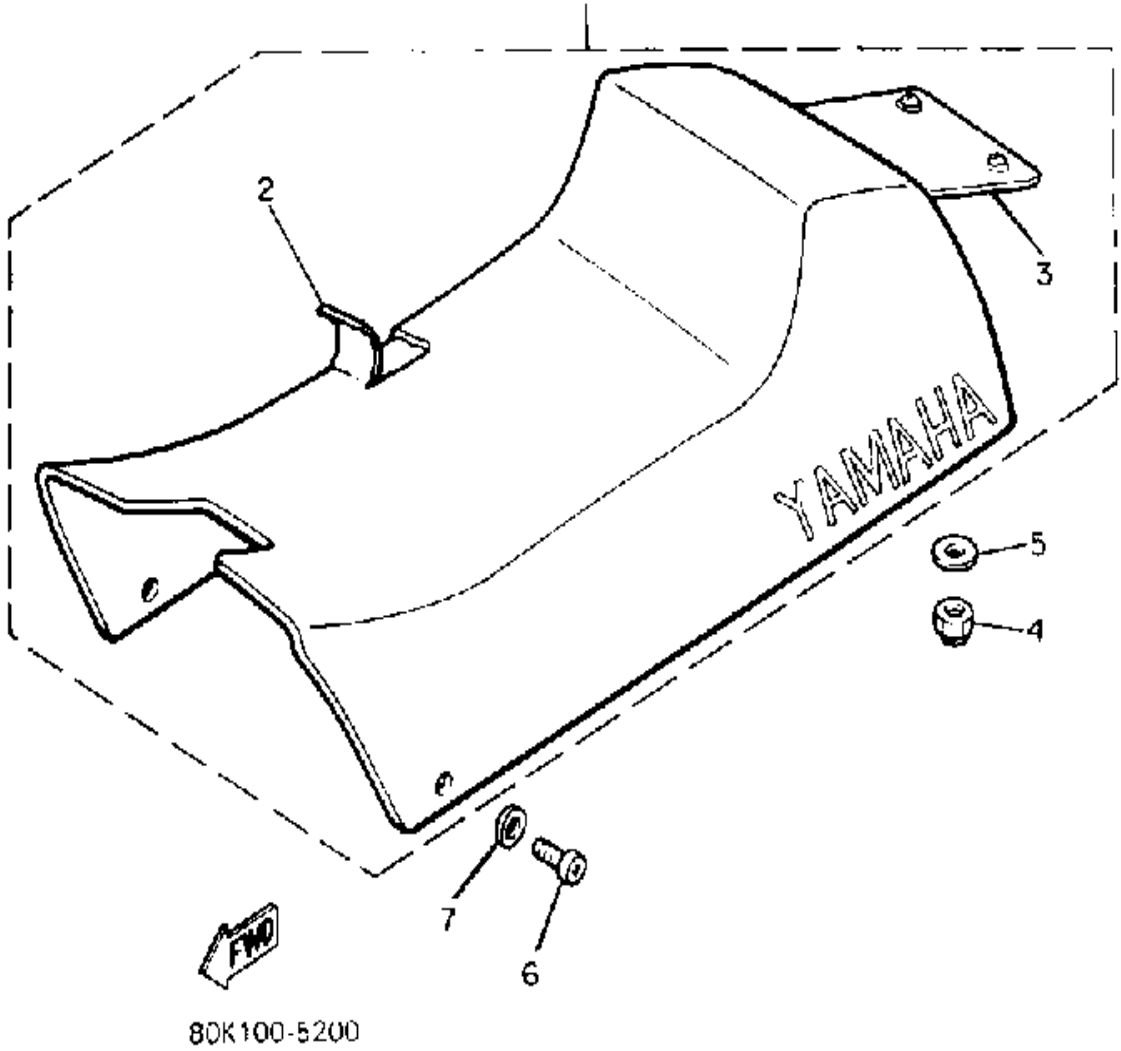
# FUEL TANK



Ref. No.	Part Number	Description	Qty	Remarks
30	82K-24327-00-00	SPRING, COMPRESSION (90501-084J1-00)	1	

Property of [www.SmallEngineDiscount.com](http://www.SmallEngineDiscount.com) - Not for Resale

# SEAT

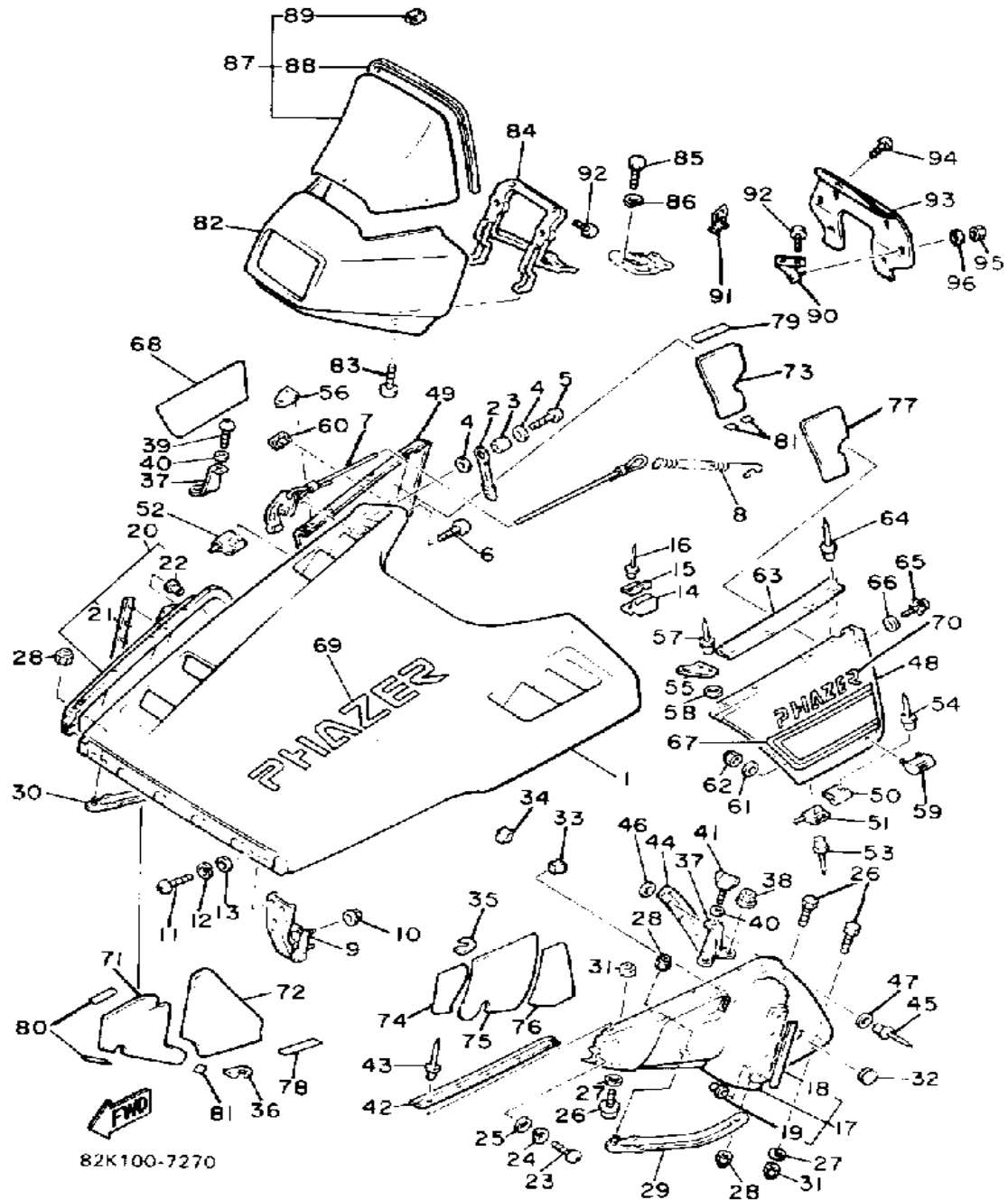


Ref. No.	Part Number	Description	Qty	Remarks
1	82K-24710-00-00	SINGLE SEAT ASSEMBLY	1	
2	82K-24711-00-00	. COVER, SINGLE SEAT	1	
3	8X9-77377-01-00	. COVER, LUGGE BOX 2 (8X9-77377-00)	1	
4	95712-08300-00	NUT, LOCK	2	
5	90201-08748-00	WASHER, PLATE	2	
6	98906-06016-00	SCREW, BIND	2	
7	90201-063J2-00	WASHER, PLATE	2	

Property of [www.SmallEngineDiscount.com](http://www.SmallEngineDiscount.com) - Not for Resale

D6

# SHROUD - WINDSHIELD

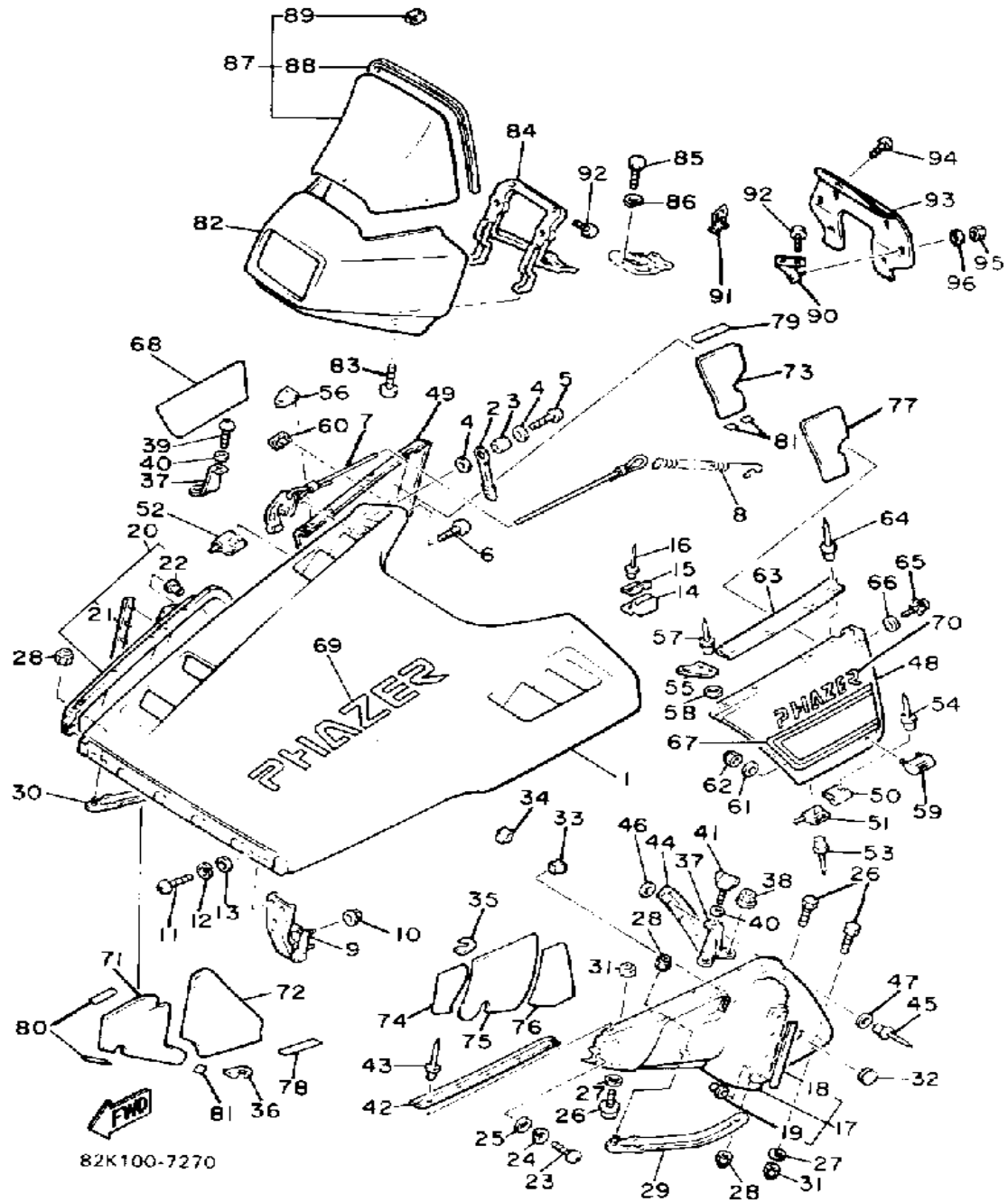


Ref. No.	Part Number	Description	Qty	Remarks
1	80L-W7714-00-00	SHROUD ASSEMBLY	1	
2	8V0-77171-00-00	BODY, LATCH 1	2	
3	90387-06241-00	COLLAR	2	
4	90201-06059-00	WASHER, PLATE	4	
5	98906-06025-00	SCREW, BIND	2	
6	98906-06012-00	SCREW, BIND	2	
7	80L-77118-01-00	STOPPER, SHROUD	1	
8	80L-77159-00-00	CLAMP, ROD	1	
9	87F-77140-00-00	HINGE ASSEMBLY	2	
10	95701-06500-00	NUT, FLANGE	4	
11	98586-05016-00	SCREW, PAN HEAD	4	
12	92906-05100-00	WASHER, SPRING	4	
13	92906-05200-00	WASHER, PLAIN	4	
14	8V0-77188-00-00	STOPPER	2	
15	8V0-77116-00-00	WASHER, SPECIAL	2	
16	90267-40029-00	RIVET, BLIND	4	
17	81H-21982-00-00	HOOD 1	1	
18	81H-77141-00-00	. EMBLEM 1	1	
19	90183-04012-00	. NUT, SPRING	4	
20	81H-21983-00-00	HOOD 2	1	
21	81H-77141-00-00	. EMBLEM 1	1	
22	90183-04012-00	. NUT, SPRING	4	
23	98586-05016-00	SCREW, PAN HEAD	2	
24	92906-05100-00	WASHER, SPRING	2	
25	90201-05721-00	WASHER, PLATE	2	
26	90119-06118-00	BOLT, WITH WASHER	6	
27	90201-06067-00	WASHER, PLATE	5	
28	95706-06300-00	NUT, NYLON	4	
29	8V0-21995-01-00	GUARD, SUB FRAMEFRAME FR 1	1	

CONTINUED ON NEXT FRAME ➤

Property of [www.SmallEngineDiscount.com](http://www.SmallEngineDiscount.com) - Not for Resale

# SHROUD - WINDSHIELD

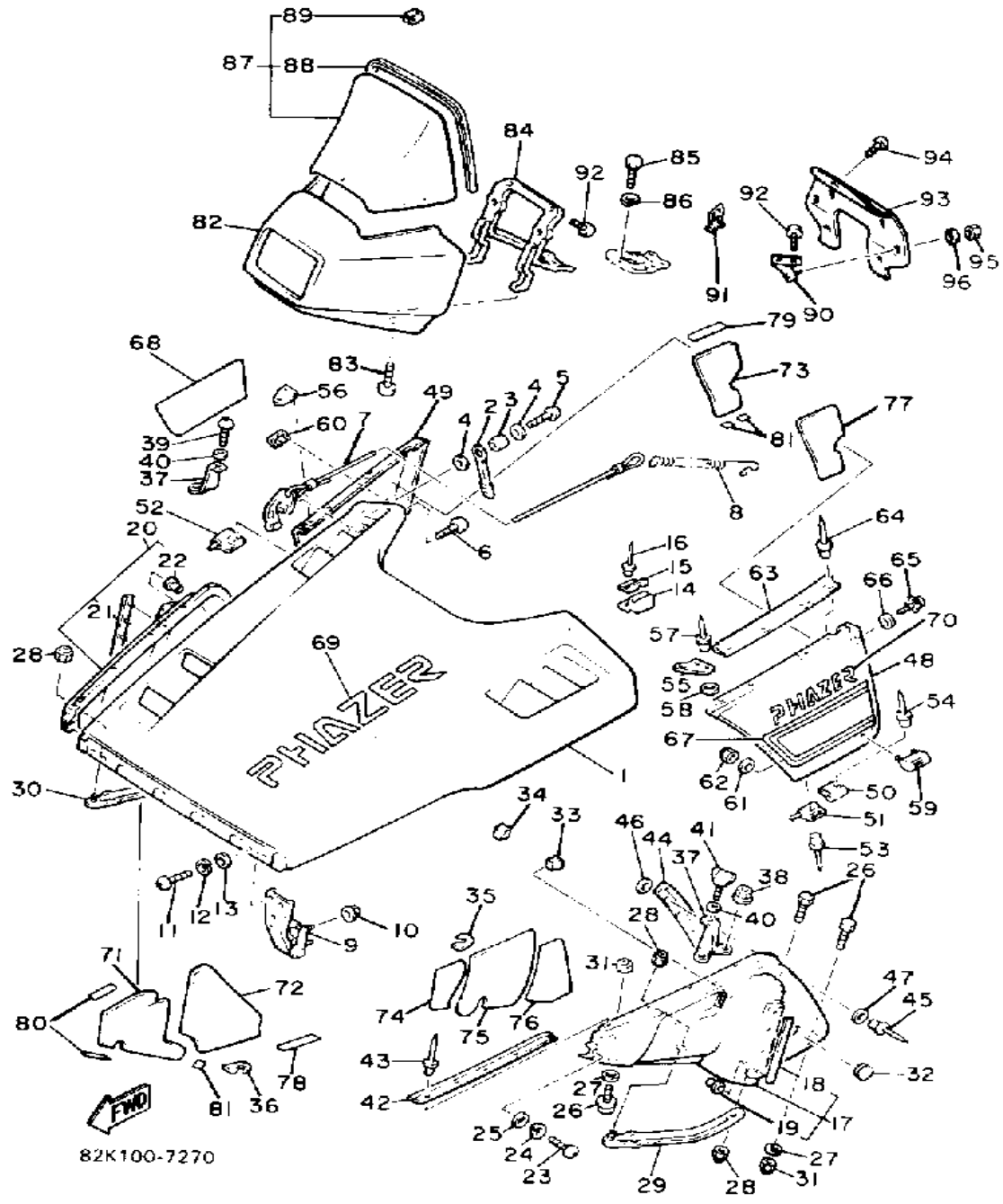


Ref. No.	Part Number	Description	Qty	Remarks
30	8V0-21996-01-00	GUARD, SUB FRAMEFRAME FR 2	1	
31	95706-06300-00	NUT, NYLON	4	
32	90480-40382-00	GROMMET	1	
33	80L-77431-00-00	GROMMET 1	1	
34	80L-77432-00-00	GROMMET 2	1	
35	80L-7717E-00-00	TAPE 1	1	
36	80L-7717F-00-00	TAPE 2	1	
37	8V0-2196F-00-00	BRACKET 3	2	
38	95701-05300-00	NUT, NYLON	4	
39	98980-06016-00	SCREW, BINDING	1	
40	90201-065F3-00	WASHER, PLATE	2	
41	90122-06015-00	BOLT, WING	1	
42	8V0-77515-01-00	BUSH, RUBBER 1	2	
43	90269-05039-00	RIVET	10	
44	8V0-2196T-00-00	TRIM 1	2	
45	90267-40076-00	RIVET, BLIND	8	
46	90201-044A2-00	WASHER, PLATE	8	
47	90201-047A2-00	WASHER, PLATE	8	
48	80L-2197H-00-00	HOOD 3	1	
49	80L-2198H-00-00	HOOD 4	1	
50	8V0-2194X-00-00	BRACKET, 1	4	
51	8V0-2195X-00-00	BRACKET 2	2	
52	80L-2195X-00-00	BRACKET 2	2	
53	90267-48059-00	RIVET, BLIND	8	
54	90267-48057-00	RIVET, BLIND	8	
55	8V0-77553-00-00	PROTECTOR 3	1	
56	8V0-77554-00-00	PROTECTOR 4	1	
57	90267-48053-00	RIVET, BLIND	4	

CONTINUED ON NEXT FRAME ►

Property of [www.SmallEngineDiscount.com](http://www.SmallEngineDiscount.com) - Not for Resale

# SHROUD - WINDSHIELD

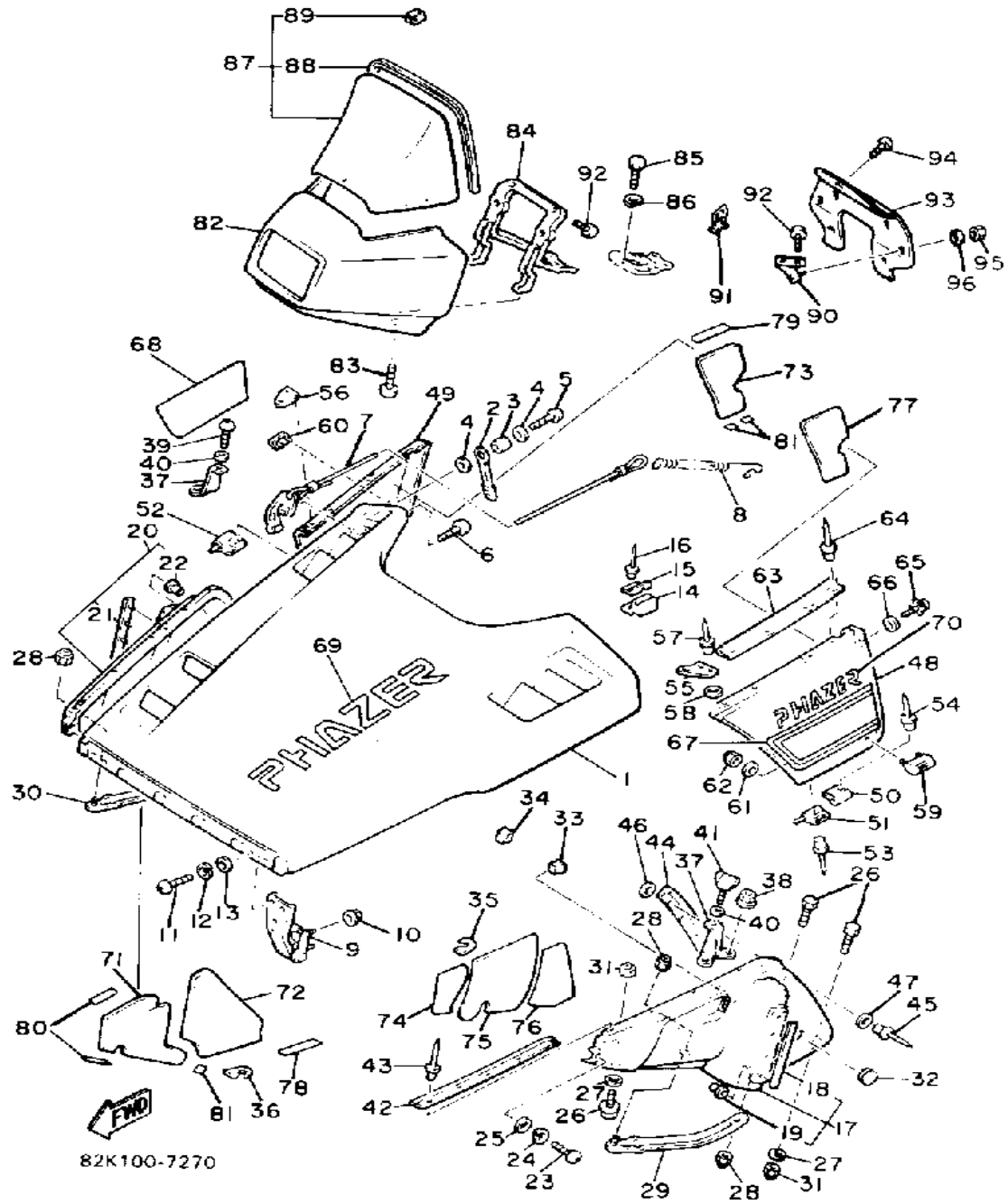


Ref. No.	Part Number	Description	Qty	Remarks
58	90201-04325-00	WASHER, PLATE	4	
59	8V0-77551-00-00	PROTECTOR 1	1	
60	8V0-77552-00-00	PROTECTOR 2	1	
61	90201-05029-00	WASHER, PLATE	4	
62	95701-05300-00	NUT, NYLON	4	
63	8V0-77516-01-00	BUSH, RUBBER 2	2	
64	90269-05039-00	RIVET	8	
65	8V0-77175-00-00	HOLDER, LATCH	2	
66	4U5-2176E-00-00	PLATE	2	
67	82K-77163-00-00	ORNAMENT 1	1	
68	82K-77164-00-00	ORNAMENT 2	1	
69	81H-77142-00-00	EMBLEM 2	1	
70	81H-77143-00-00	EMBLEM 3	2	
71	8V0-77263-00-00	LINING, SHROUD 3	1	
72	80L-77261-00-00	LINING, SHROUD 1	1	
73	8V0-77266-00-00	LINING, SHROUD 6	1	
74	8V0-77272-00-00	DAMPER, NOISE 2	1	
75	8V0-77273-00-00	DAMPER, NOISE 3	1	
76	8V0-77274-00-00	DAMPER, NOISE 4	1	
77	8V0-77275-00-00	DAMPER, NOISE 5	1	
78	8V0-7717E-00-00	TAPE 1	2	
79	8V0-7717F-00-00	TAPE 2	1	
80	8V0-7717G-00-00	TAPE 3	2	
81	82M-7717G-00-00	TAPE 3	5	
82	80L-77231-01-00	FAIRING	1	
83	98906-06010-00	SCREW, BIND	2	
84	8V0-77241-00-00	STAY, FAIRING	1	
85	97011-06025-00	BOLT (97001-06025)	3	
86	92995-06100-00	WASHER, SPRING	3	

CONTINUED ON NEXT FRAME ➤

Property of [www.SmallEngineDiscount.com](http://www.SmallEngineDiscount.com) - Not for Resale

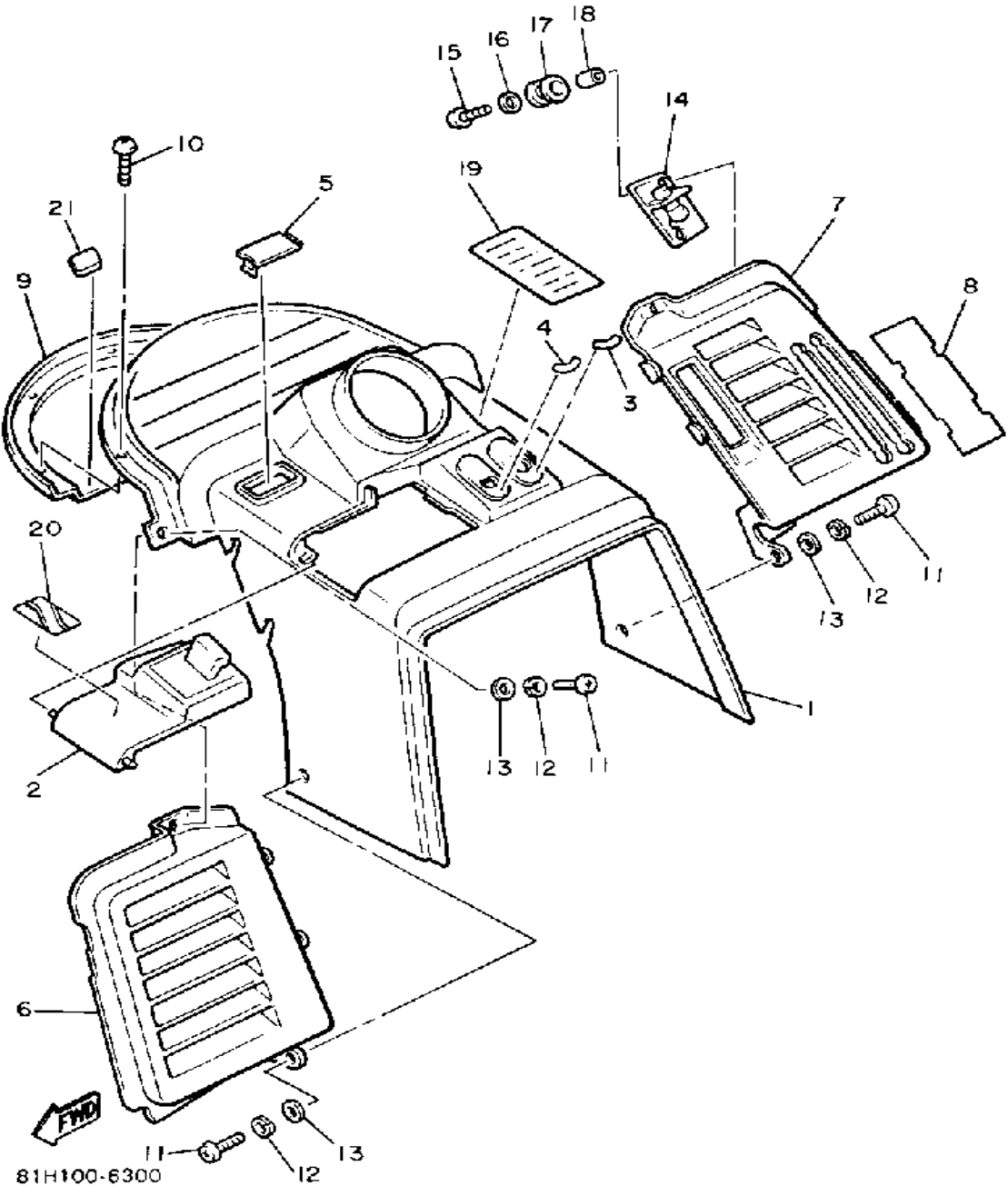
# SHROUD - WINDSHIELD



Ref. No.	Part Number	Description	Qty	Remarks
87	87F-77210-00-00	WINDSHIELD COMP. ....	1	
88	87S-77213-00-00	. TRIM, UPPER .....	1	
89	80V-77223-00-00	. FASTENER .....	2	
90	8X9-77218-00-00	WASHER 1 .....	1	
91	8X9-77219-00-00	WASHER 2 .....	1	
92	90154-05023-00	SCREW, BINDING .....	6	
93	8X9-77251-00-00	COVER, HEADLIGHT .....	1	
94	90154-05005-00	SCREW, BINDING .....	1	
95	90176-05059-00	NUT, CROWN .....	2	
96	90201-054K4-00	WASHER, PLATE .....	2	

Property of [www.SmallEngineDiscount.com](http://www.SmallEngineDiscount.com) - Not for Resale

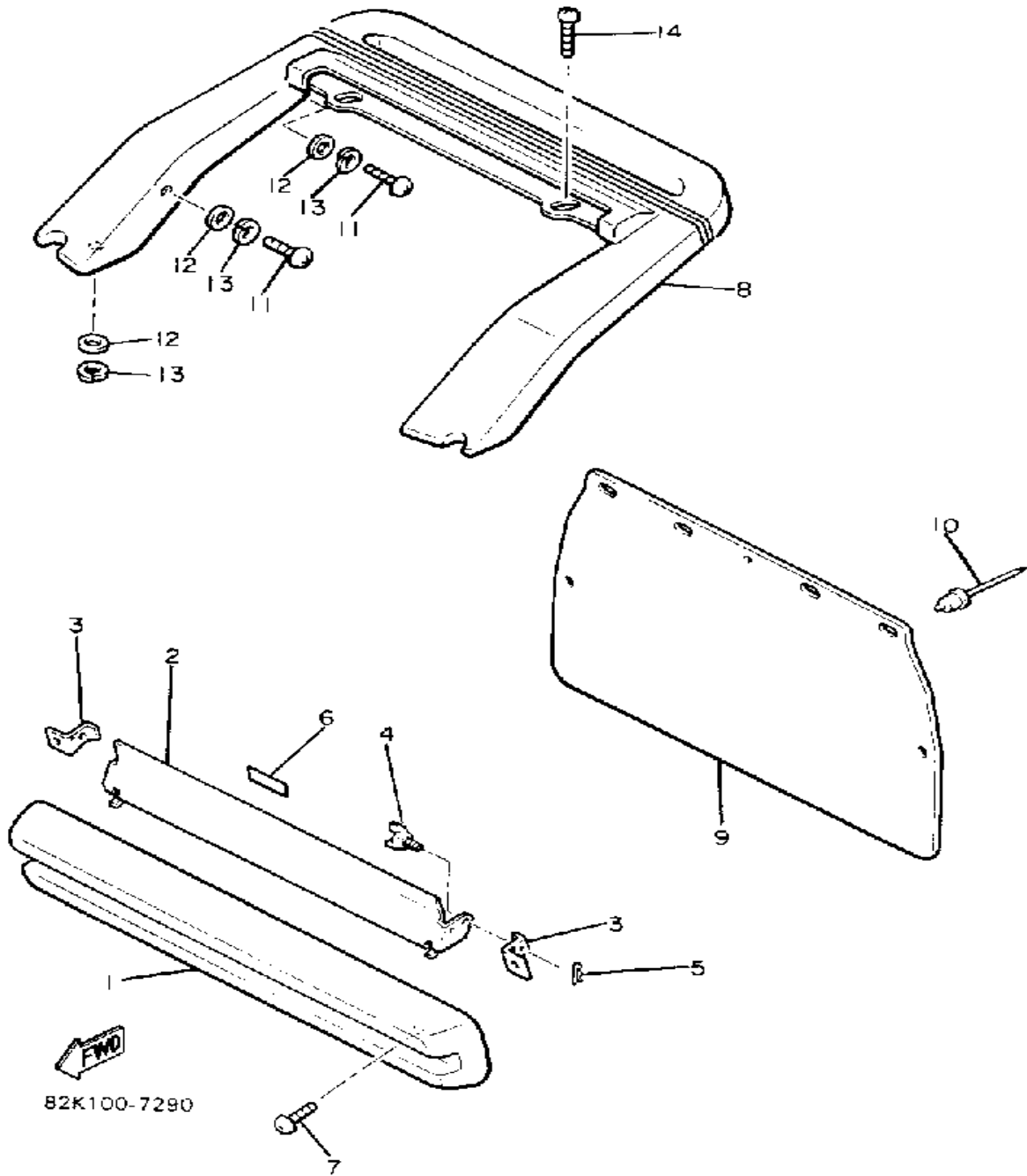
# INSTRUMENT PANEL



Ref. No.	Part Number	Description	Qty	Remarks
1	8X9-77711-01-00	PANEL, INSTRUMENT .....	1	
2	8X9-77712-01-00	PANEL, INSTRUMENT .....	1	
3	8U9-77741-00-00	INDICATOR 1 .....	1	
4	8U9-77742-00-00	INDICATOR 2 .....	1	
5	8X9-77740-00-00	GROMMET, INSTRUMENT PANEL .....	1	
6	8X9-77131-00-00	LOUVER 1 .....	1	
7	8X9-77132-00-00	LOUVER 2 .....	1	
8	8V0-7716E-00-00	REFLECTOR 1 .....	2	
9	8V0-77731-00-00	SHIELD 1 .....	1	
10	98906-05012-00	SCREW, BIND .....	4	
11	98586-05016-00	SCREW, PAN HEAD .....	4	
12	92906-05100-00	WASHER, SPRING .....	4	
13	90201-05721-00	WASHER, PLATE .....	4	
14	80L-77721-00-00	BRACKET 1 .....	1	
15	97706-50520-00	SCREW, TAPPING .....	2	
16	90201-05033-00	WASHER, PLATE .....	2	
17	90480-13428-00	GROMMET .....	2	
18	90387-053H3-00	COLLAR .....	2	
19	80L-77763-00-00	LABEL, WARNING 3 .....	1	U.R.
20	82K-77715-00-00	ORMNT, INSTR PNL 1PANEL 1	1	
21	81H-77731-00-00	SHIELD 1 .....	1	

Property of [www.SmallEngineDiscount.com](http://www.SmallEngineDiscount.com) - Not for Resale

# BUMPER



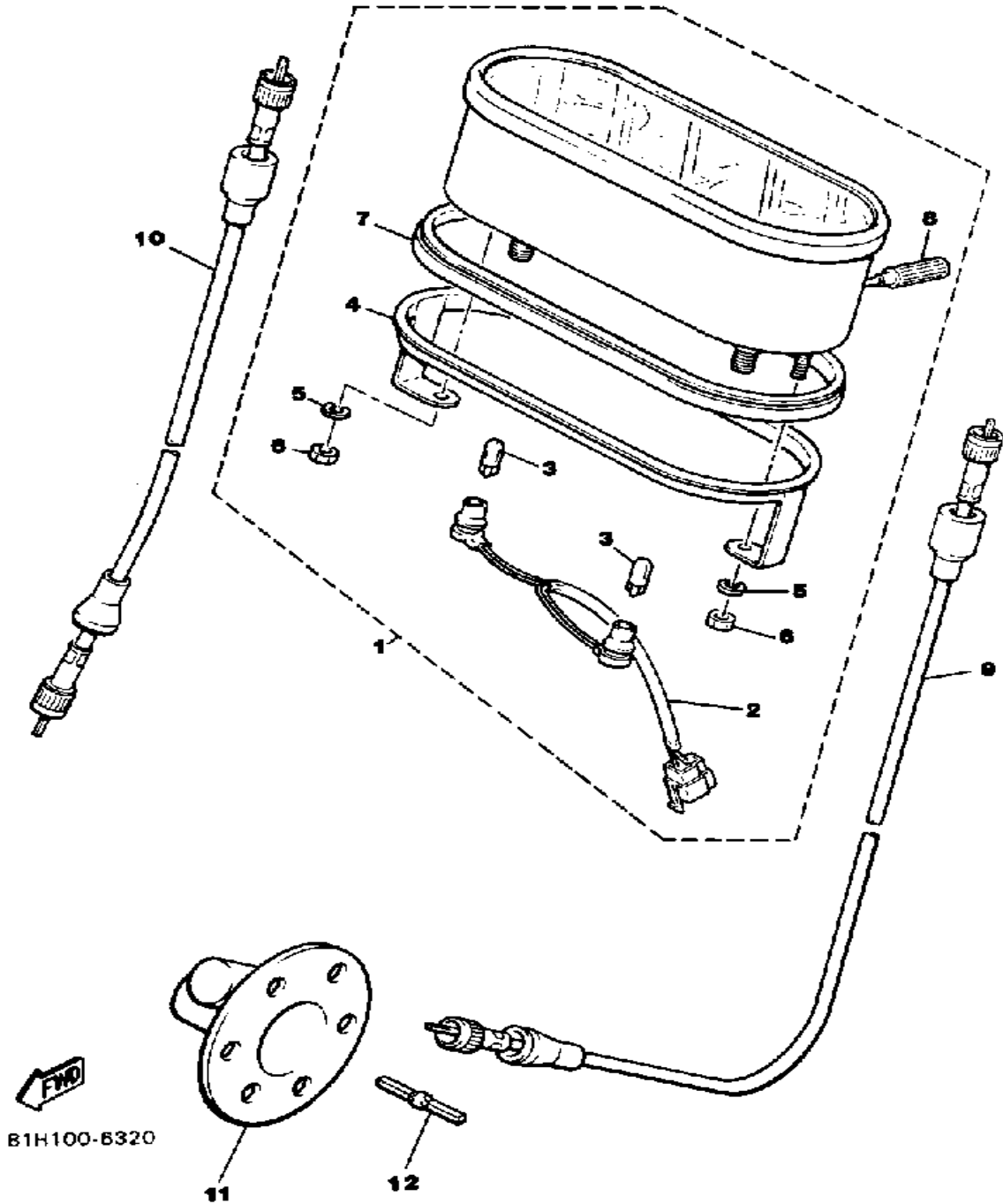
Ref. No.	Part Number	Description	Qty	Remarks
1	8X9-77511-00-00	BUMPER, FRONT 1	1	
2	80L-77185-00-00	PLATE 1	1	
3	80L-77125-01-00	STAY 1	2	
4	90122-05022-00	BOLT, WING	2	
5	90468-10003-00	CLIP	2	
6	8Y0-77762-00-00	LABEL, WARNING 2	1	U.R.
7	98906-06016-00	SCREW, BIND	2	
8	87F-77542-00-00	BUMPER, REAR 2	1	
9	8X9-77595-00-00	FLAP	1	
10	90267-48086-00	RIVET, BLIND	5	
11	98903-08020-00	SCREW, BIND (98901-08020)	4	
12	92990-08200-00	WASHER, PLAIN	6	
13	92990-08100-00	WASHER	6	
14	98903-08012-00	SCREW, BIND	2	

Property of [www.SmallEngineDiscount.com](http://www.SmallEngineDiscount.com) - Not for Resale



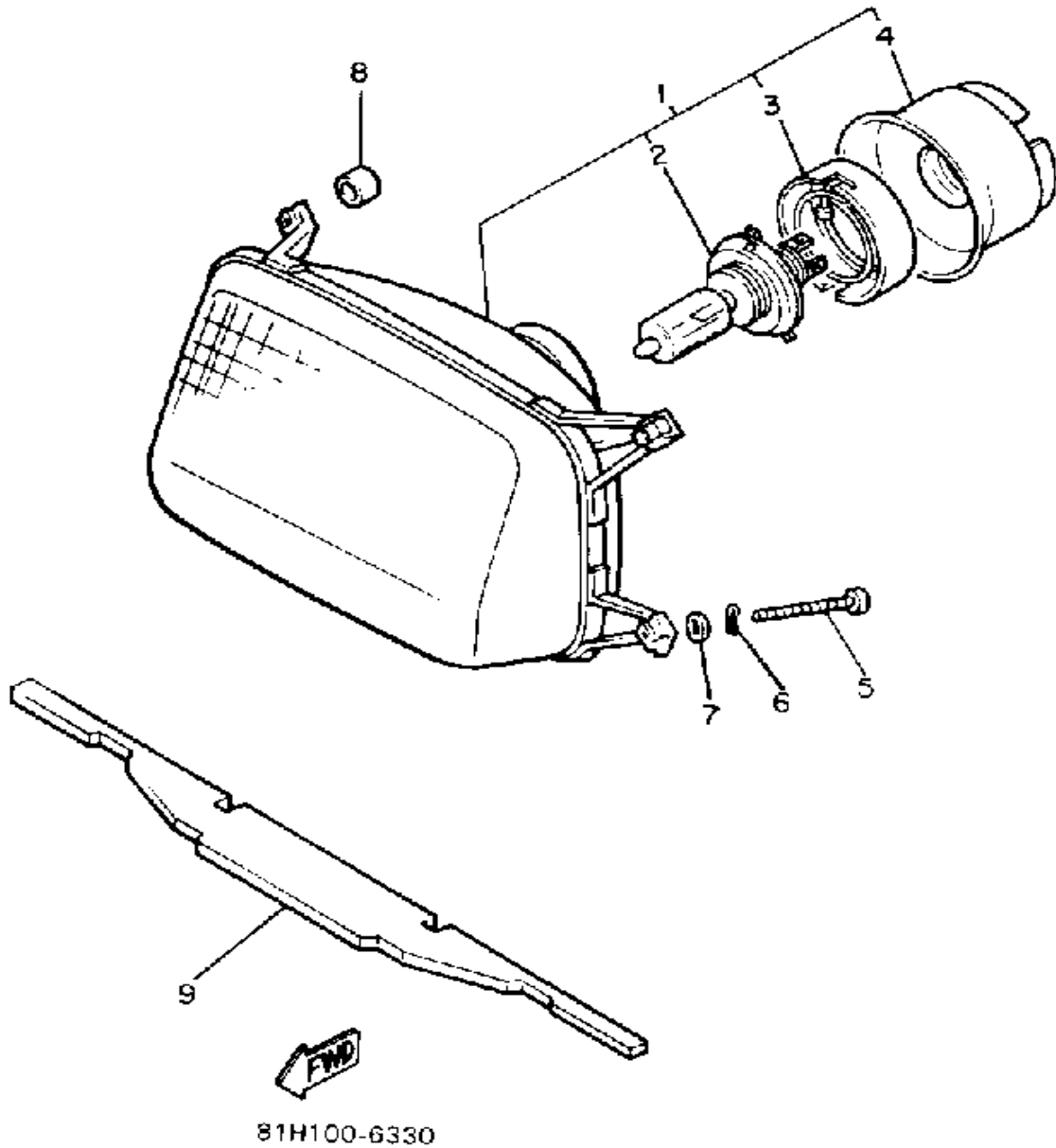
# METER

Ref. No.	Part Number	Description	Qty	Remarks
1	81R-83500-40-00	SPEEDOMETER ASSEMBLY ..	1	U.R. MILE/H
2	8V0-83536-00-00	. SOCKET, METER .....	1	
3	4G1-84744-00-00	. BULB, MTR.12V3.4W .....	2	
4	8K4-83519-01-00	. BRACKET, METER .....	1	
5	92990-05100-00	. WASHER, SPRING .....	2	
6	95380-05600-00	. NUT .....	2	
7	8K4-83513-00-00	. DAMPER .....	1	
8	8L8-83578-00-00	. KNOB, TRIP METER .....	1	
9	8K4-83550-00-00	SPEEDOMETER CABLE ASSEMBLY .....	1	
10	8A1-83550-02-00	SPEEDOMETER CABLE ASSEMBLY .....	1	
11	8L8-47700-00-00	METER GEAR HOUSING COMP.	1	
12	8K4-47715-00-00	JOINT .....	1	



Property of [www.SmallEngineDiscount.com](http://www.SmallEngineDiscount.com) - Not for Resale

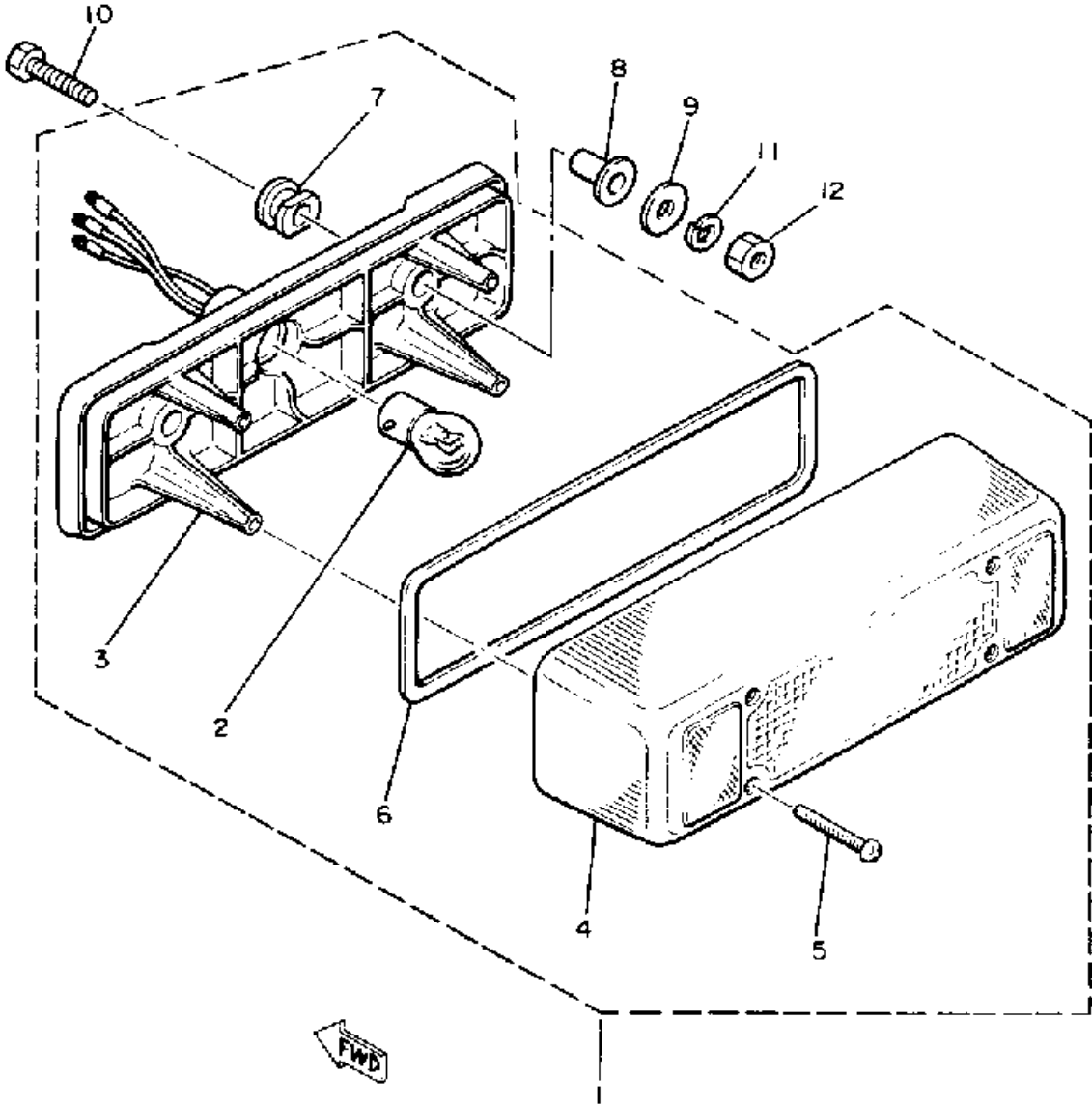
# HEADLIGHT



Ref. No.	Part Number	Description	Qty	Remarks
1	86M-84310-00-00	HEADLIGHT UNIT ASSEMBLY .	1	
2	5V2-84314-00-XX	. BULB, HL 12V60/55W (2F9-84314-00) . . . . .	1	LM
3	8A7-84312-00-00	. HOLDER, SOCKET . . . . .	1	
4	8A7-84397-01-00	. COVER, SOCKET . . . . .	1	
5	8V0-84331-00-00	SCREW, RIM ADJUSTING . . . .	4	
6	8V0-84374-00-00	CLIP . . . . .	4	
7	8V0-84327-00-00	WASHER, SPECIAL . . . . .	4	
8	8V0-84366-00-00	DAMPER, HEADLIGHT 1 . . . . .	4	
9	8W6-84366-00-00	DAMPER, HEADLIGHT 1 . . . . .	1	

Property of [www.SmallEngineDiscount.com](http://www.SmallEngineDiscount.com) - Not for Resale

# TAILLIGHT

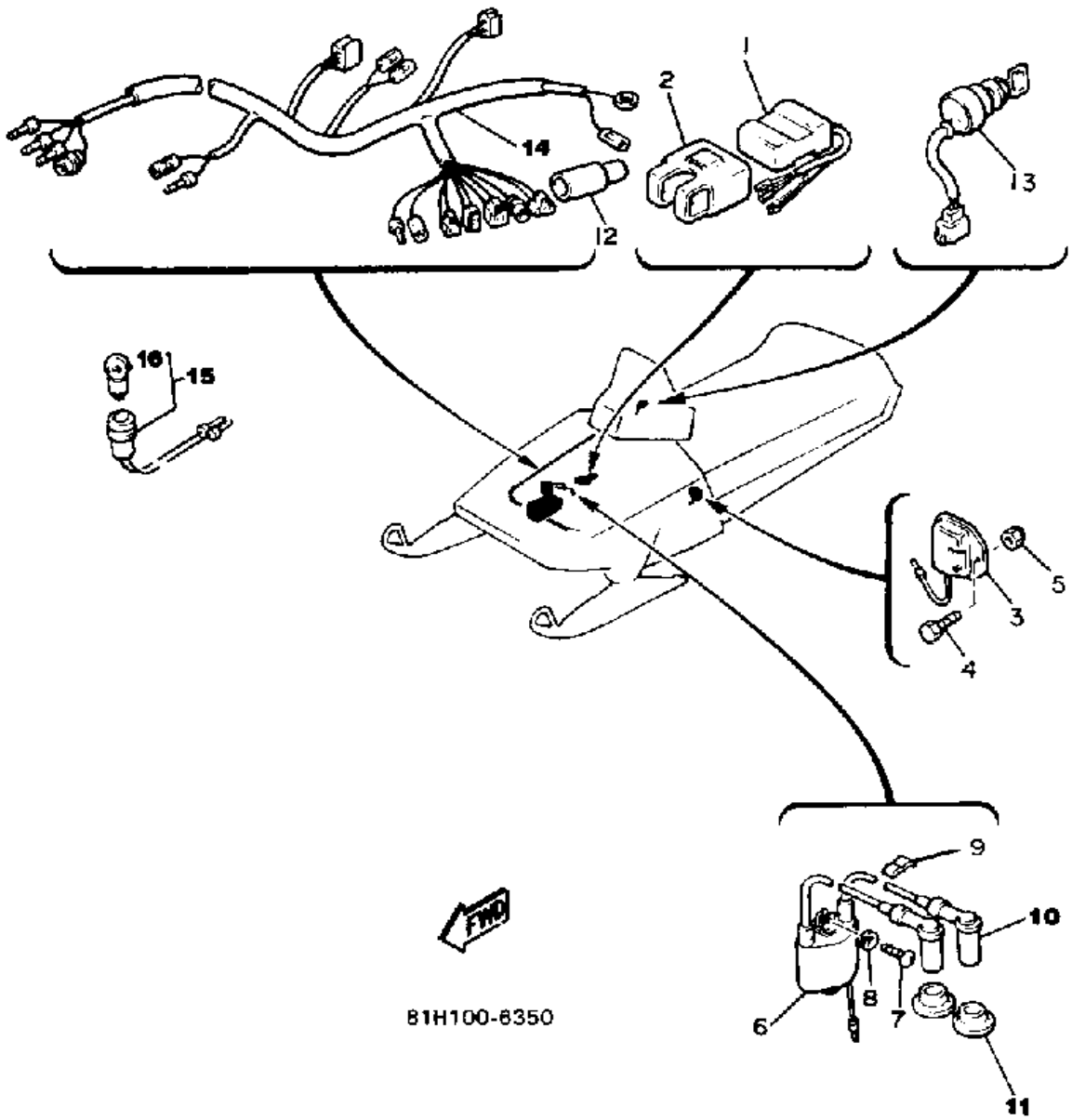


BOK100-5350

Ref. No.	Part Number	Description	Qty	Remarks
1	8K4-84710-00-00	TAILLIGHT UNIT ASSEMBLY ..	1	
2	137-84714-61-00	. BULB, TL 12V23/8W (J50-83311-00) .....	1	
3	8K4-84711-00-00	. BASE, TAILLIGHT .....	1	
4	8K4-84721-00-00	. LENS, TAILLIGHT .....	1	
5	97780-40130-00	. SCREW, PANHEAD TAPPING (97701-40130-00) .....	4	
6	87M-84723-00-00	. GASKET, TAIL LENS .....	1	
7	8K4-84718-00-00	. GROMMET .....	2	
8	90387-066N1-00	COLLAR .....	2	
9	90201-06407-00	WASHER, PLATE (90201-06747-00) .....	4	
10	97013-06035-00	BOLT .....	2	
11	92995-06100-00	WASHER, SPRING .....	2	
12	95380-06600-00	NUT .....	2	

Property of [www.SmallEngineDiscount.com](http://www.SmallEngineDiscount.com) - Not for Resale

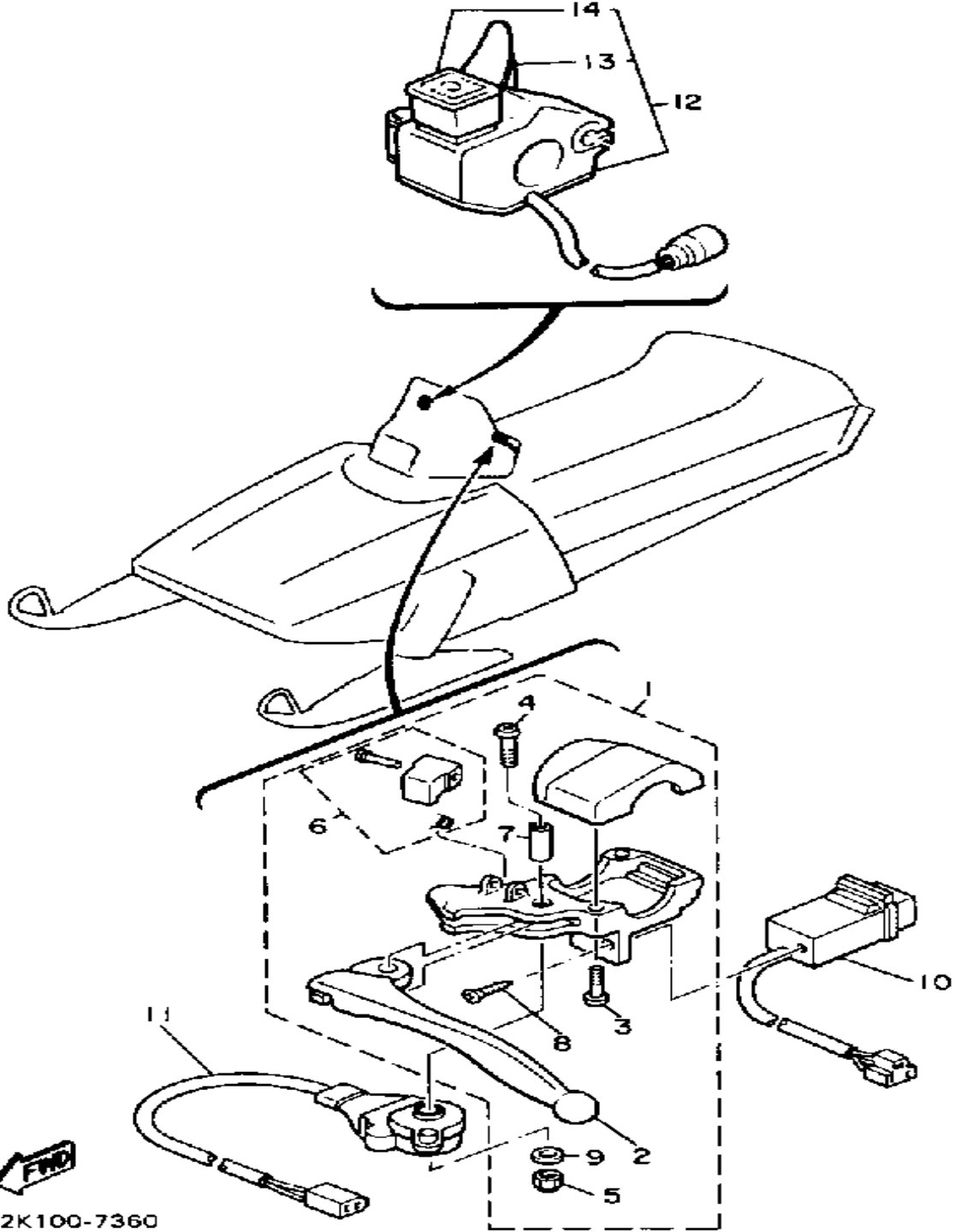
# ELECTRICAL 1



Ref. No.	Part Number	Description	Qty	Remarks
1	8V0-85540-21-00	C.D.I. UNIT ASSEMBLY	1	
2	2A7-85546-00-00	BAND	1	
3	82F-81910-A0-00	VOLTAGE REGULATOR ASSEMBLY	1	
4	97026-06014-00	BOLT	2	
5	95701-06300-00	NUT, NYLON	2	
6	8V8-82310-10-00	IGNITION COIL ASSEMBLY	1	U.R.
7	98580-06020-00	SCREW	2	
8	92995-06100-00	WASHER, SPRING	2	
9	861-82361-00-00	CLAMP, CORD	1	
10	8K1-82370-20-00	PLUG CAP ASSEMBLY (WITH RESISTOR)	2	
11	8V0-82372-00-00	SEAL, PLUG CAP	2	
12	8Y0-82599-00-00	COVER, CONNECTER	1	
13	8K4-82508-20-00	MAIN SWITCH ASSEMBLY	1	
14	80K-82590-20-00	WIRE HARNESS ASSEMBLY	1	
15	8V0-84301-00-00	PILOT LIGHT ASSEMBLY 1	1	
16	8V0-85353-00-00	. BULB (12V5W)	1	

Property of [www.SmallEngineDiscount.com](http://www.SmallEngineDiscount.com) - Not for Resale

# ELECTRICAL 2



82K100-7360

Ref. No.	Part Number	Description	Qty	Remarks
1	88R-W8291-00-00	LEVER HOLDER ASSEMBLY (LEFT)	1	
2	8H8-83912-00-00	. LEVER 1	1	
3	90157-05027-00	. SCREW, PAN HEAD	2	
4	98501-05040-00	. SCREW, PAN HEAD (98502-05040)	1	
5	95701-05300-00	. NUT, NYLON	1	
6	82A-83930-00-00	. LEVER LOCK ASSEMBLY	1	
7	802-83913-00-00	. COLLAR, LEVER 1	1	
8	97780-30312-00	. SCREW, tapping	2	
9	92990-05200-00	. WASHER, PLAIN	1	
10	8H8-83950-01-00	BEAM SWITCH ASSEMBLY (8K4-83950-01-00)	1	
11	88R-82530-00-00	STOP SWITCH ASSEMBLY	1	
12	84R-82720-00-00	LEVER HOLDER ASSEMBLY (RIGHT)	1	
13	8V0-42138-00-00	. LEVER, THROTTLE	1	
14	82K-82575-09-00	. EMERGENCY SAFETYSW	1	

Property of [www.SmallEngineDiscount.com](http://www.SmallEngineDiscount.com) - Not for Resale