



YAMAHA

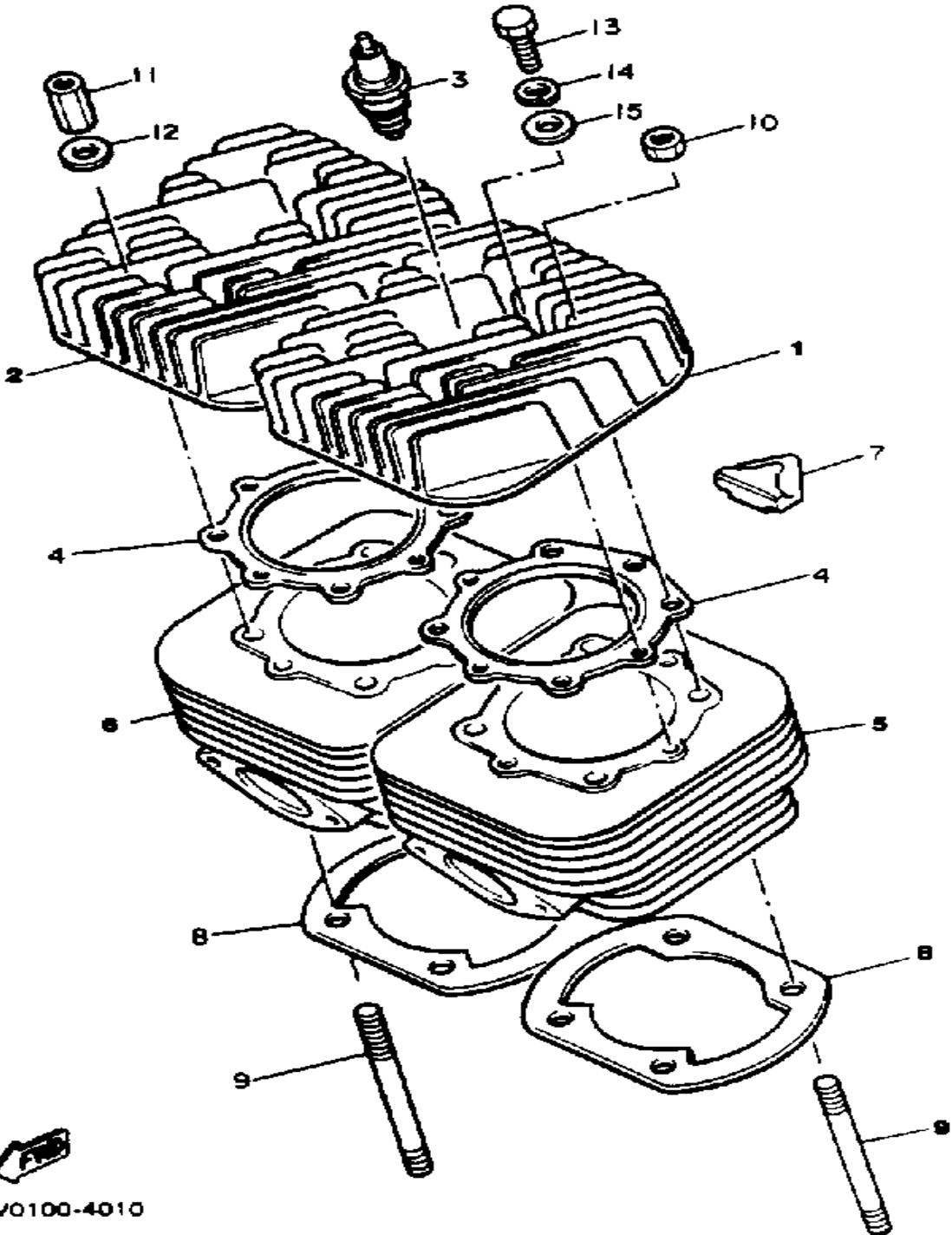
GENUINE

PARTS CATALOGUE

SNOWMOBILE

Property of www.SmallEngineDiscount.com - Not for Resale

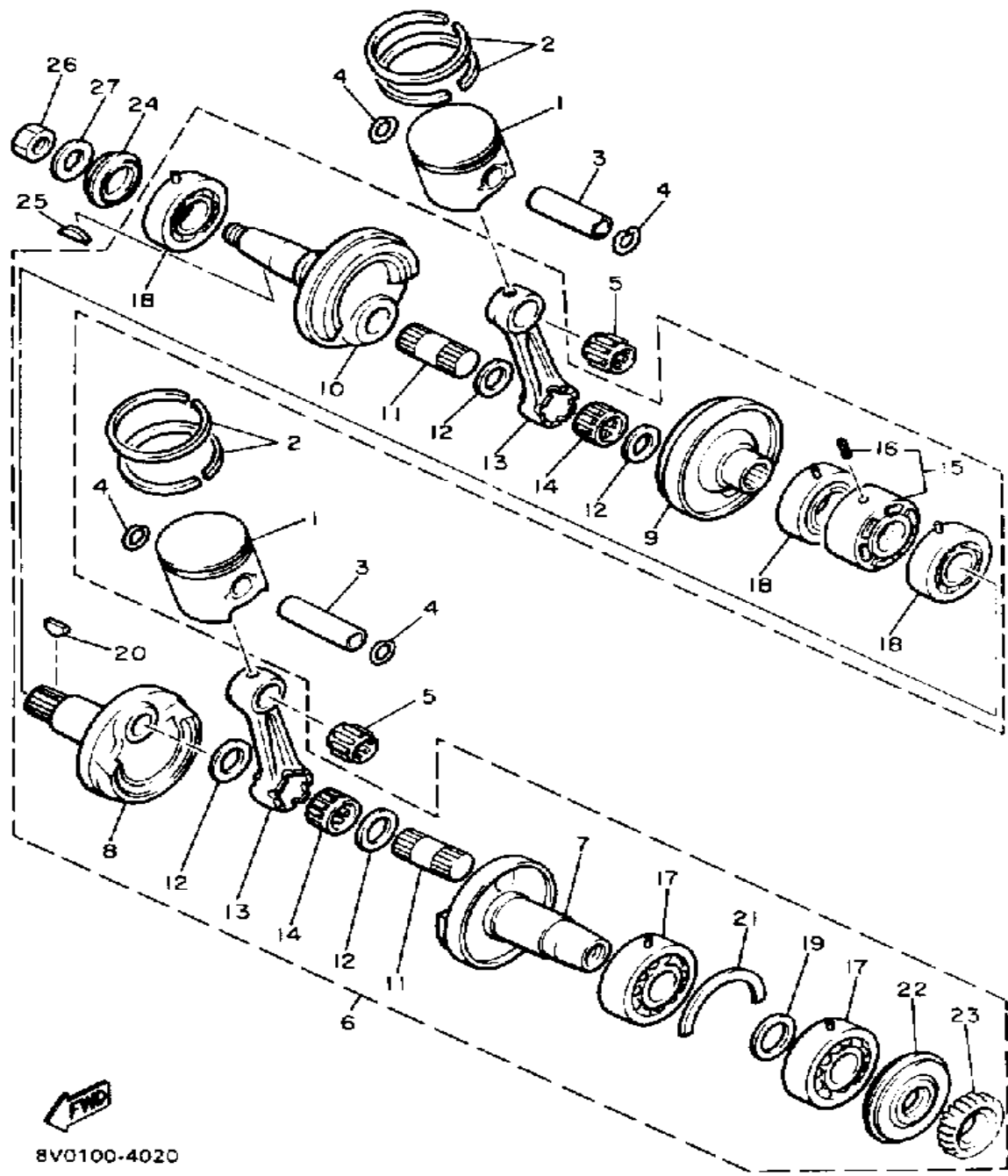
CYLINDER



Ref. No.	Part Number	Description	Qty	Remarks
1	8V0-11111-01-00	HEAD, CYLINDER 1	1	
2	8V0-11121-01-00	HEAD, CYLINDER 2	1	
3	NGK-BR9ES-00-00	PLUG, SPARK	2	
4	8V0-11181-02-00	GASKET, CYLINDER HEAD 1 (8V0-11181-02)	2	
5	8V0-11311-01-00	CYLINDER 1	1	
6	8V0-11321-01-00	CYLINDER 2	1	
7	8V0-11355-00-00	SEAL, CYLINDER 1	1	
8	88F-11351-00-00	GASKET, CYLINDER	2	
9	95612-08740-00	BOLT, STUD	8	
10	95701-08500-00	NUT, FLANGE	6	
11	90179-08269-00	NUT	2	
12	90201-08100-00	WASHER, PLATE	2	
13	97313-06040-00	BOLT, HEXAGON	8	
14	92995-06100-00	WASHER, SPRING	8	
15	90201-061A5-00	WASHER, PLATE	8	

Property of www.SmallEngineDiscount.com - Not for Resale

CRANKSHAFT - PISTON

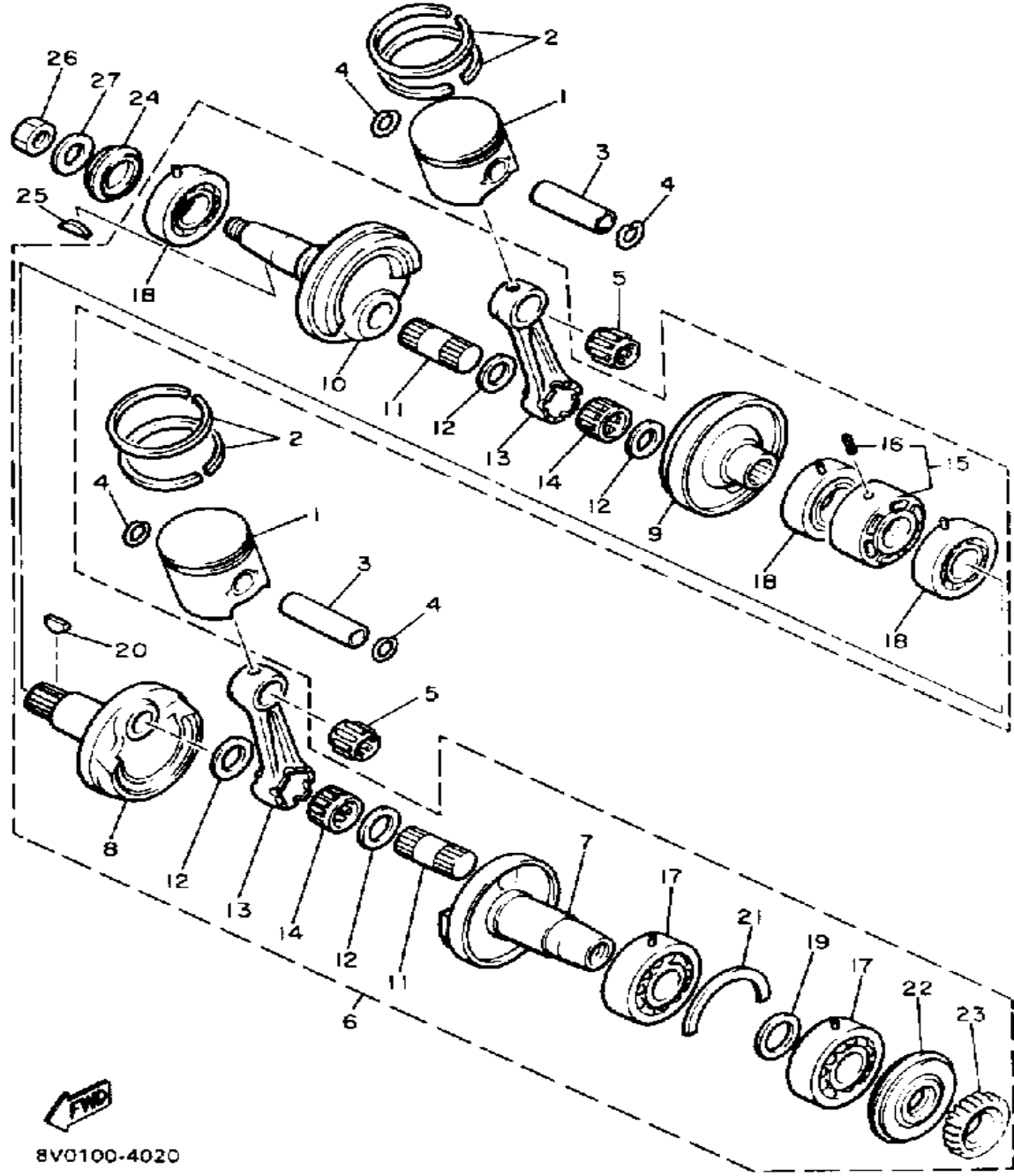


Ref. No.	Part Number	Description	Qty	Remarks
1	8V0-11631-00-96	PISTON (STD)	2	U.R.
	8V0-11635-00-00	PISTON (0.25MM O/S)	2	ALT. PART
	8V0-11636-00-00	PISTON (0.50MM O/S)	2	ALT. PART
2	8V0-11601-00-00	PISTON RING SET (STD)	2	U.R.
	8V0-11601-10-00	PISTON RING SET (0.25MM O/S)	2	ALT. PART
	8V0-11601-20-00	PISTON RING SET (0.50MM O/S)	2	ALT. PART
3	818-11633-00-00	PIN, PISTON	2	
4	93450-19052-00	CIRCLIP	4	
5	93310-218A6-00	BEARING	2	
6	8V0-11400-02-00	CRANKSHAFT ASSEMBLY	1	
7	8V0-11412-00-00	. CRANK 1	1	
8	8V0-11422-00-00	. CRANK 2	1	
9	8V0-11432-00-00	. CRANK 3	1	
10	8V0-11442-00-00	. CRANK 4	1	
11	857-11681-00-00	. PIN, CRANK 1	2	
12	90209-24073-00	. WASHER	4	
13	8V0-11651-00-00	. ROD, CONNECTING	2	
14	93310-424L8-00	. BEARING	2	
15	8V0-11515-01-00	. SEAL, LABYRINTH 1	1	
16	91609-30010-00	. PIN, SPRING	1	
17	93306-30626-00	. BEARING	2	
18	93306-20633-00	. BEARING	3	
19	90201-327F7-00	. WASHER, PLATE	1	
20	90280-05014-00	. KEY, WOODRUFF	1	
21	93450-78091-00	. CIRCLIP	1	
22	93103-32136-00	. OIL SEAL, SW-TYPE	1	
23	8K2-13178-00-00	. GEAR, PUMP DRIVE	1	

CONTINUED ON NEXT FRAME ►

Property of www.SmallEngineDiscount.com - Not for Resale

CRANKSHAFT - PISTON

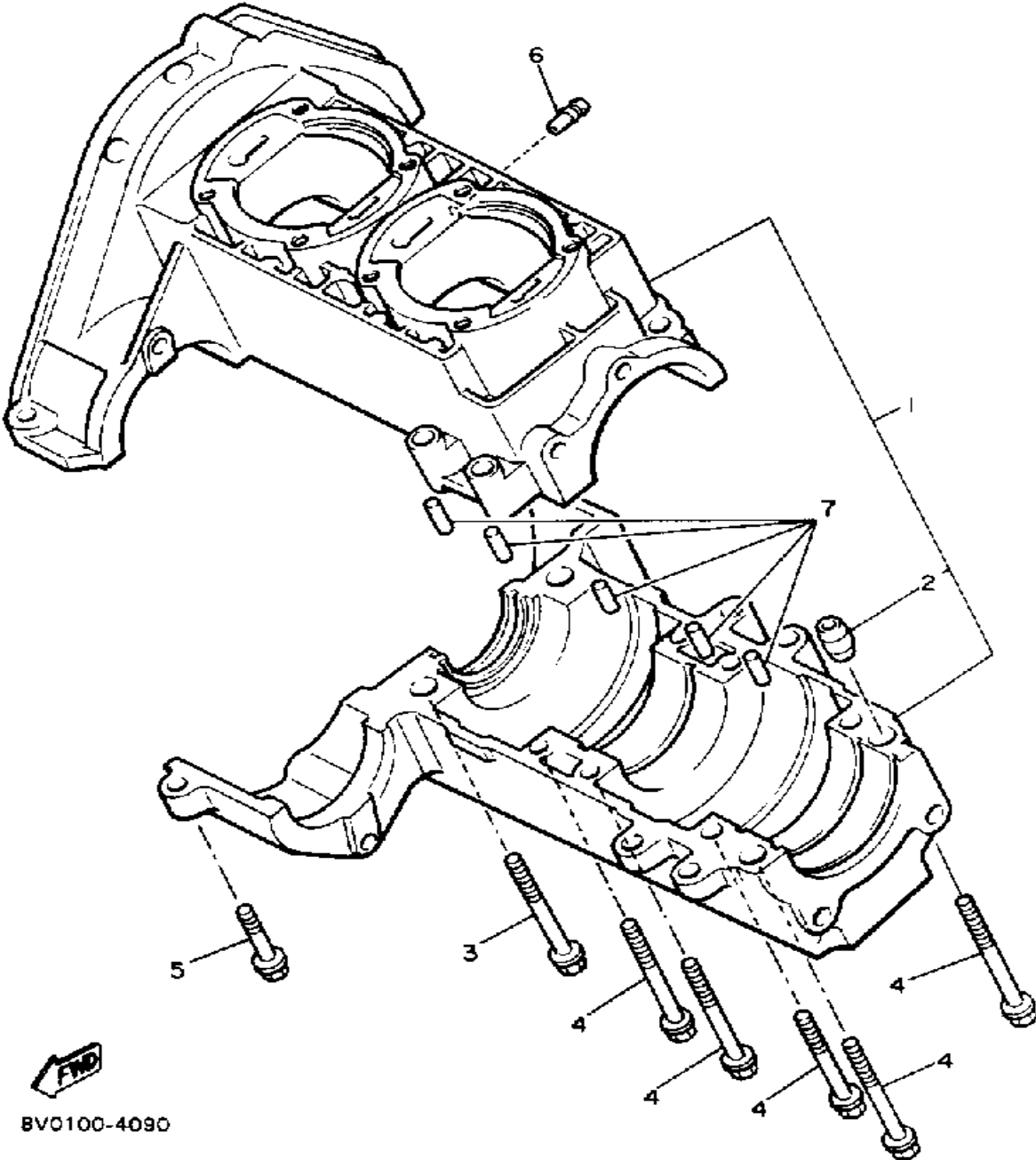


Ref. No.	Part Number	Description	Qty	Remarks
24	93103-32155-00	OIL SEAL	1	
25	90280-05014-00	KEY, WOODRUFF	1	
26	90170-16182-00	NUT	1	
27	92901-16100-00	WASHER, SPRING	1	

8V0100-4020

Property of www.SmallEngineDiscount.com - Not for Resale

CRANKCASE

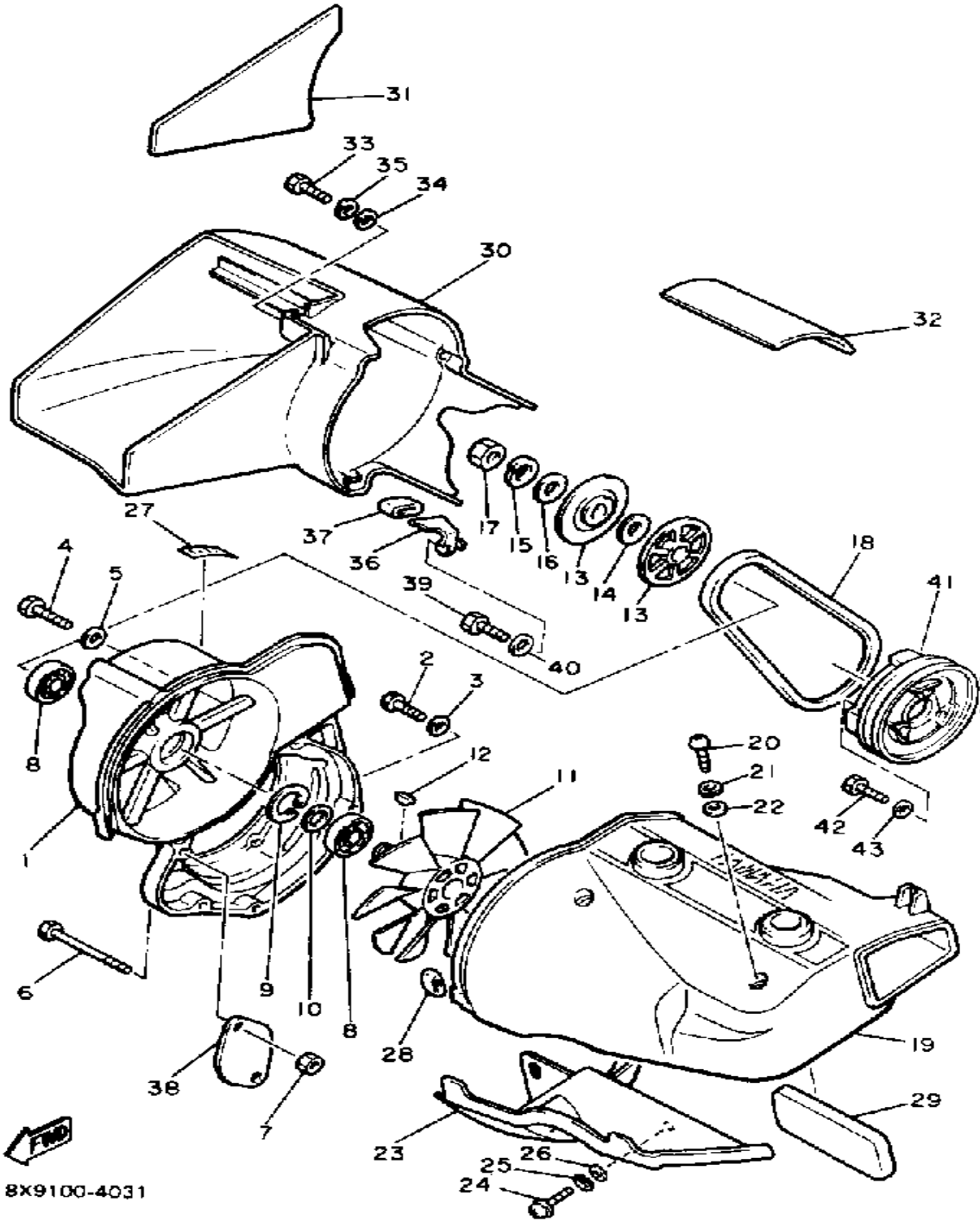


Ref. No.	Part Number	Description	Qty	Remarks
1	8V0-15100-01-00	CRANKCASE ASSEMBLY	1	
2	99510-12016-00	. PIN, DOWEL	2	
3	95811-08070-00	BOLT, FLANGE	1	
4	95811-08065-00	BOLT, FLANGE	9	
5	95811-06025-00	BOLT, FLANGE	1	
6	J38-11116-00-00	JOINT, BREATHER	1	
7	93604-07141-00	PIN, DOWEL	5	

BV0100-4090

Property of www.SmallEngineDiscount.com - Not for Resale

AIR SHROUD - FAN

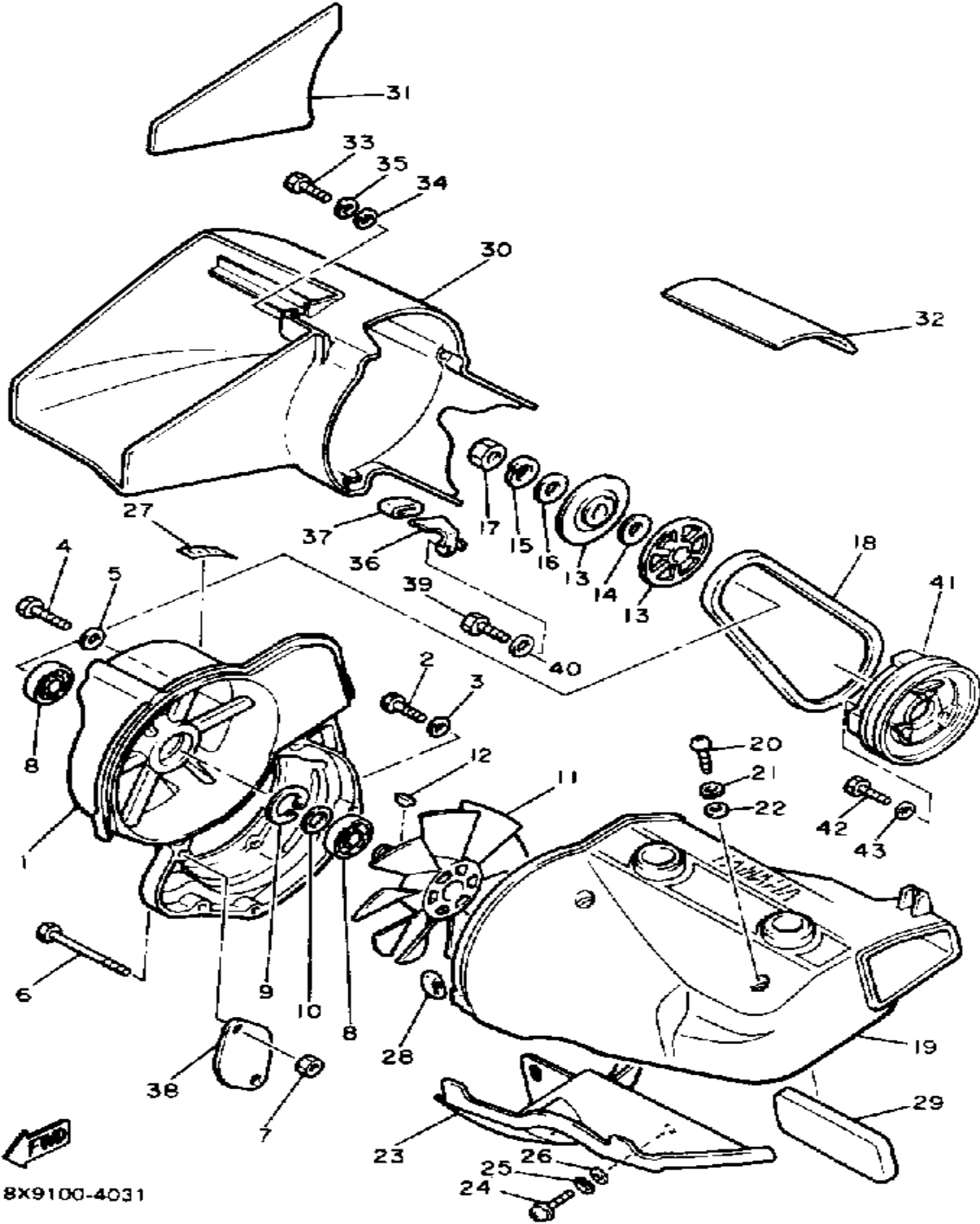


Ref. No.	Part Number	Description	Qty	Remarks
1	88F-12621-01-00	CASE, FAN	1	
2	97313-08035-00	BOLT, HEXAGON	2	
3	92901-08600-00	WASHER	2	
4	97313-08050-00	BOLT, HEXAGON (90101-08125)	1	
5	92901-08600-00	WASHER	1	
6	97023-08090-00	BOLT (97321-08090)	2	
7	95701-08500-00	NUT, FLANGE	2	
8	93306-20331-00	BEARING	2	
9	93420-40064-00	CIRCLIP	1	
10	90201-17713-00	WASHER, PLATE	1	
11	8H8-12611-01-00	FAN	1	
12	90280-05014-00	KEY, WOODRUFF	1	
13	8H8-12619-01-00	PULLEY 2	2	
14	90214-17017-00	WASHER, CLAW (0.5T)	1	U.R.
	90214-17018-00	WASHER, CLAW (1.0T)	1	U.R.
15	92901-16100-00	WASHER, SPRING	1	
16	90201-17713-00	WASHER, PLATE	1	
17	90170-16182-00	NUT	1	
18	8V0-12612-00-00	BELT	1	
19	8V0-12651-02-00	AIR SHROUD, CYLINDER 1	1	
20	98506-06016-00	SCREW, PANHEAD	3	
21	92906-06100-00	WASHER, SPRING	3	
22	92906-06600-00	WASHER	3	
23	8V0-12652-00-00	AIR SHROUD, CYLINDER 2	1	
24	98506-06016-00	SCREW, PANHEAD	2	
25	92906-06100-00	WASHER, SPRING	2	
26	92906-06600-00	WASHER	2	
27	8K4-12628-00-00	LABEL, CAUTION	1	
28	8H8-12658-00-00	DAMPER, AIR SHROUD 1	2	

CONTINUED ON NEXT FRAME ➤

Property of www.SmallEngineDiscount.com - Not for Resale

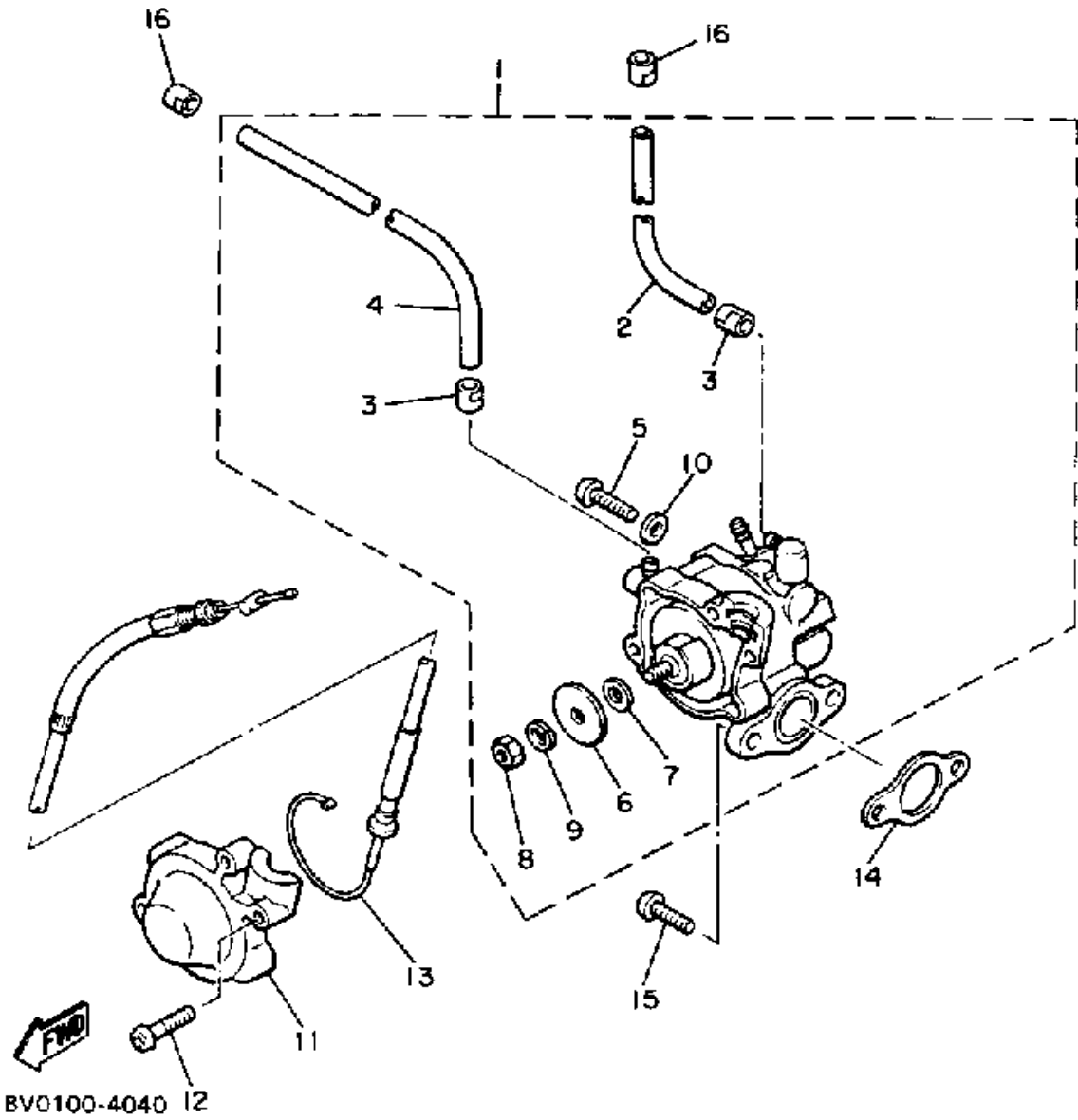
AIR SHROUD - FAN



Ref. No.	Part Number	Description	Qty	Remarks
29	34L-14425-00-00	DAMPER AIR SHROUD 2	1	
30	8V0-12661-04-00	DUCT	1	
31	8V0-12685-01-00	DAMPER, DUCT 2	1	
32	8V0-12686-00-00	DAMPER, DUCT 3	1	
33	91316-06025-00	BOLT	2	
34	90201-06643-00	WASHER, PLATE	2	
35	92906-06100-00	WASHER, SPRING	2	
36	8V0-12637-00-00	STAY 1	1	
37	8H8-12658-00-00	DAMPER, AIR SHROUD 1	1	
38	8K4-12633-00-00	PLATE	1	
39	97016-06016-00	BOLT	1	
40	92906-06100-00	WASHER, SPRING	1	
41	8V0-15723-00-00	PULLEY, STARTER	1	
42	97013-08025-00	BOLT	3	
43	92901-08600-00	WASHER	3	

Property of www.SmallEngineDiscount.com - Not for Resale

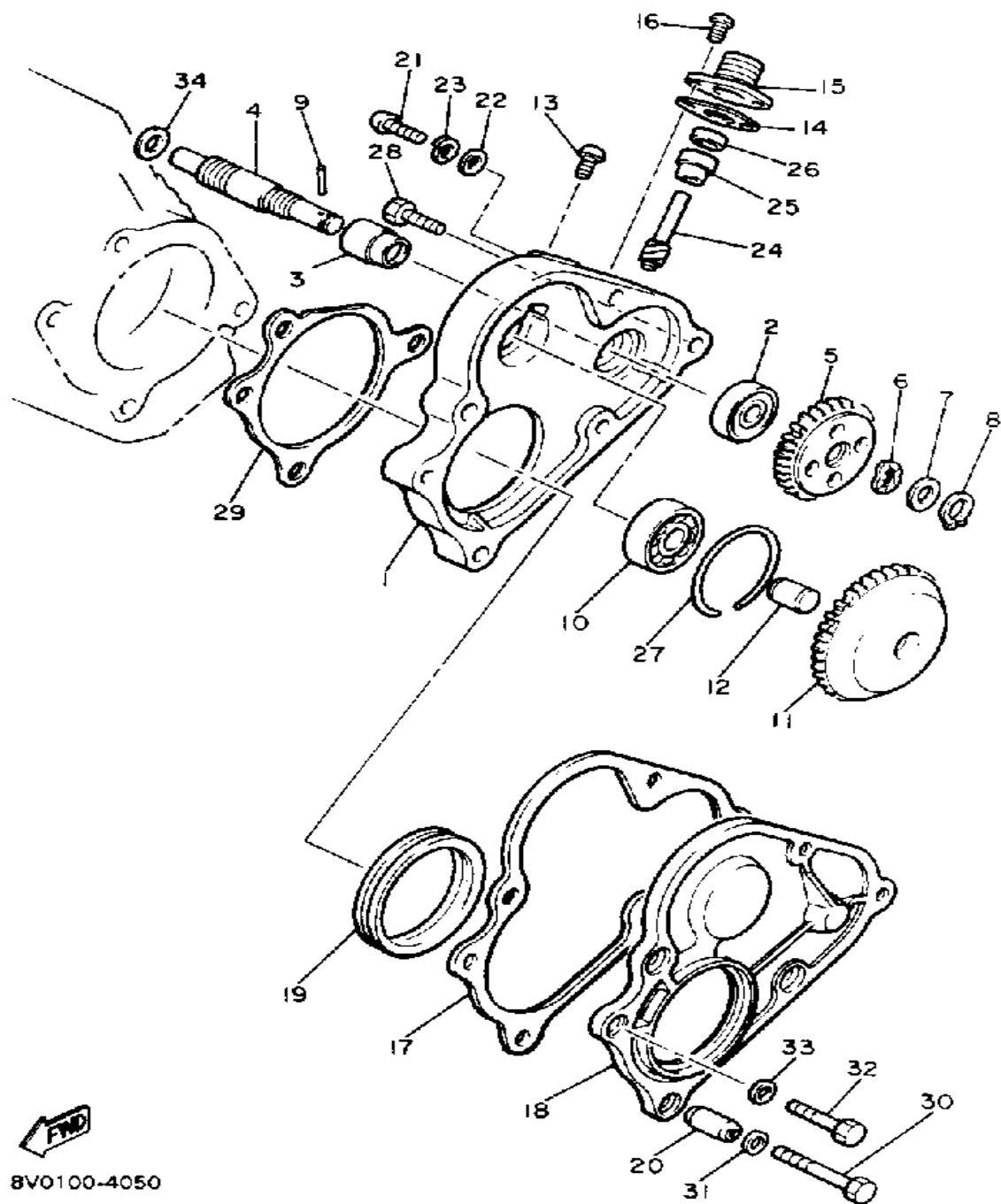
OIL PUMP



Ref. No.	Part Number	Description	Qty	Remarks
1	8V0-13101-01-00	OIL PUMP ASSEMBLY	1	
2	90446-08210-00	. HOSE	1	
3	90468-02025-00	. CLIP	2	
4	91A30-03020-00	. TUBE, FLEXIBLE VINYL	1	
5	98901-04008-00	. SCREW, BIND	1	
6	137-13138-01-00	. PLATE, ADJUSTING	1	
7	137-13137-00-03	. SHIM (0.3T)	1	U.R.
	137-13137-00-05	. SHIM (0.5T)	1	U.R.
	137-13137-00-10	. SHIM (1.0T)	1	U.R.
8	95380-05600-00	. NUT	1	
9	92990-05100-00	. WASHER, SPRING	1	
10	90430-04004-00	. GASKET	1	
11	8A5-13146-01-00	COVER, ADJUST PULLEY	1	
12	98506-04018-00	SCREW, PAN HEAD	3	
13	8V0-26320-01-00	PUMP CABLE ASSEMBLY	1	
14	3MT-13116-00-00	GASKET, PUMP CASE (8Y0-13116-00)	1	
15	98580-05014-00	SCREW, PAN HEAD	2	
16	90468-02025-00	CLIP	2	

Property of www.SmallEngineDiscount.com - Not for Resale

PUMP DRIVE - GEAR



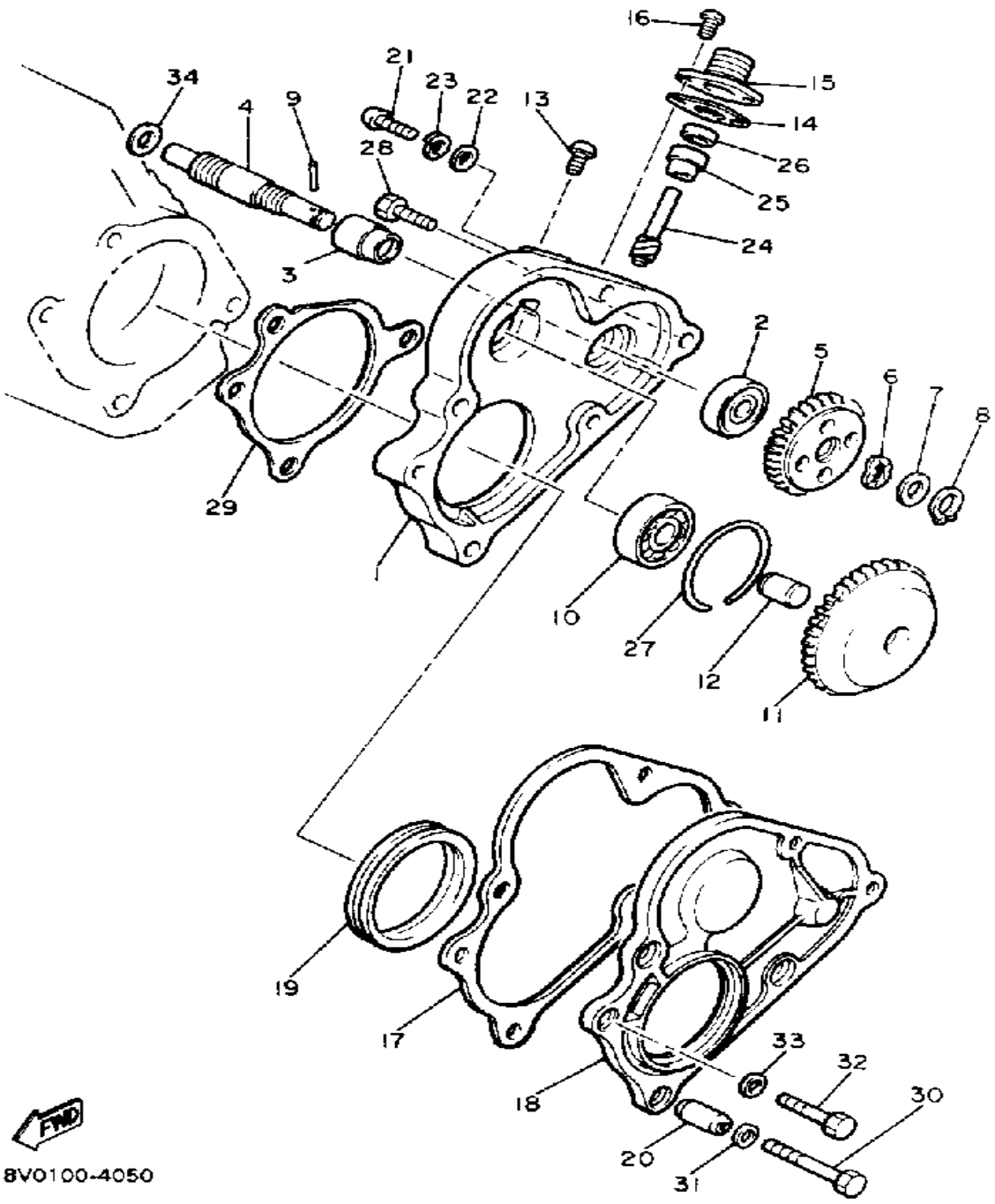
8V0100-4050

Ref. No.	Part Number	Description	Qty	Remarks
1	8V0-15416-01-00	. COVER, OIL PUMP	1	
	8V0-15426-01-00	. COVER, OIL PUMP 2	1	
	99999-01581-00	UNAVAILABLE IN PRICE BOOK (8V0-15416-00)	1	
2	93101-10090-00	OIL SEAL	1	
3	821-13176-00-00	METAL, WORM SHAFT OUTER	1	
4	879-13175-00-00	SHAFT, WORM	1	
5	821-13188-00-00	GEAR, DRIVE (32T)	1	
6	90206-11016-00	WASHER, WAVE	1	
7	137-13148-00-00	PLATE, CAM THRUST	1	
8	99009-10400-00	CIRCLIP	1	
9	93603-22028-00	PIN, DOWEL	1	
10	93306-00003-00	BEARING (B6000RS)	1	
11	8V0-13179-00-00	GEAR, IDLE	1	
12	8V0-13342-00-00	SHAFT, IDLE GEAR	1	
13	98580-06012-00	SCREW, PAN HEAD	1	
14	821-17818-02-00	GASKET	1	
15	821-17819-00-00	CAP, HOUSING	1	
16	98580-05010-00	SCREW, PAN HEAD	2	
17	8V0-15466-02-00	GASKET 2	1	
18	8V0-15426-01-00	COVER, OIL PUMP 2	1	
19	93104-52079-00	OIL SEAL	1	
20	91810-18022-00	PIN, DOWEL	2	
21	98580-05020-00	SCREW, PAN HEAD	2	
22	92901-05600-00	WASHER, PLATE	2	
23	92990-05100-00	WASHER, SPRING	2	
24	813-17841-00-00	GEAR, DRIVEN (10T)	1	
25	821-17843-00-00	BUSH, DRIVEN GEAR OUTER	1	
26	93104-06033-00	OIL SEAL	1	


CONTINUED ON NEXT FRAME ►

Property of www.SmallEngineDiscount.com - Not for Resale

PUMP DRIVE - GEAR

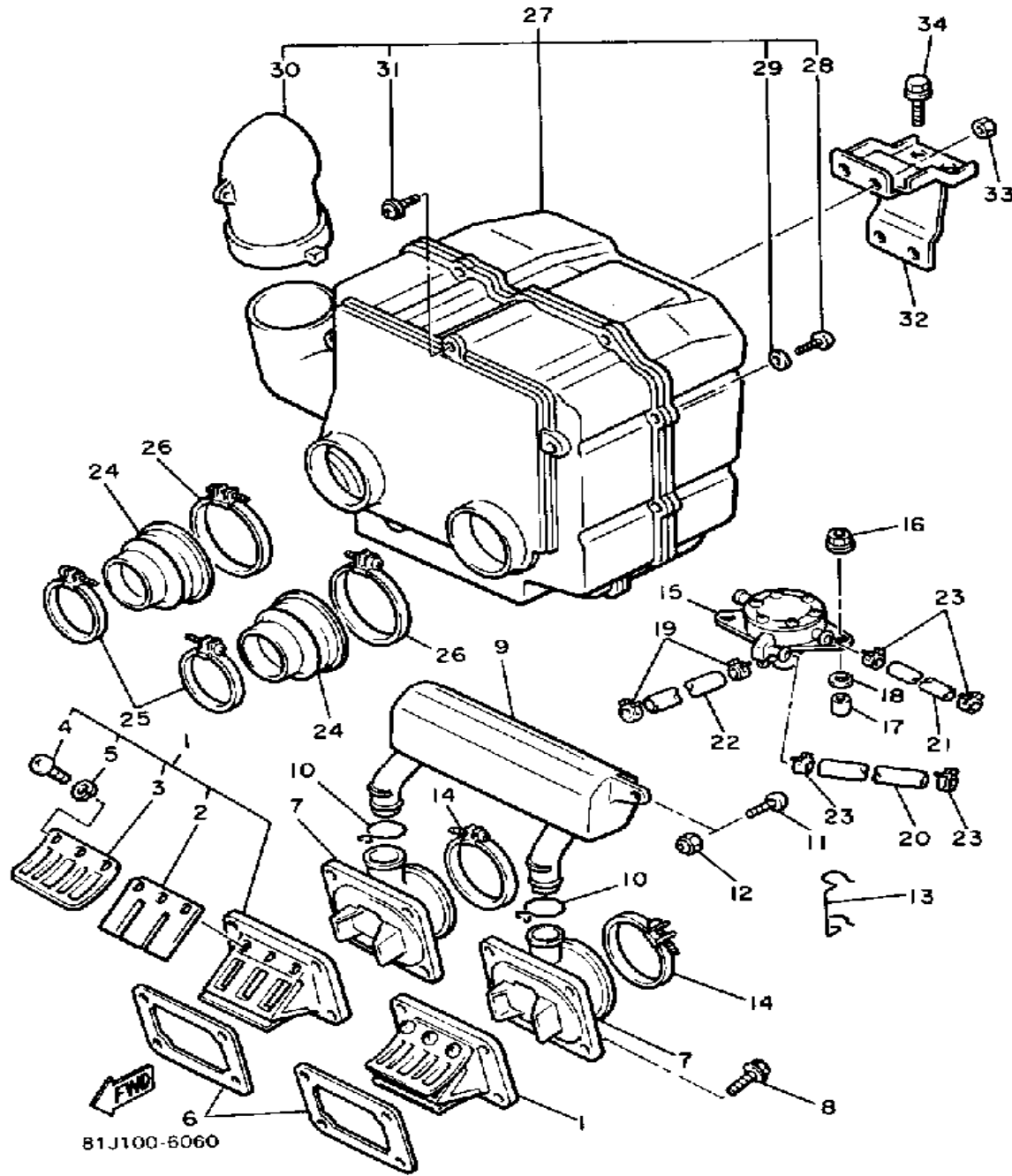


Ref. No.	Part Number	Description	Qty	Remarks
27	93450-28098-00	CIRCLIP	1	
28	92901-05600-00	WASHER, PLATE	1	
29	8V0-15456-03-00	GASKET, OIL PUMP COVER 1	1	
30	97013-06035-00	BOLT	2	
31	90201-061A5-00	WASHER, PLATE	2	
32	97011-06025-00	BOLT (97001-06025)	2	
33	90201-061A5-00	WASHER, PLATE	2	
34	90201-08624-00	WASHER, PLATE	1	


8V0100-4050

Property of www.SmallEngineDiscount.com - Not for Resale

AIR CLEANER

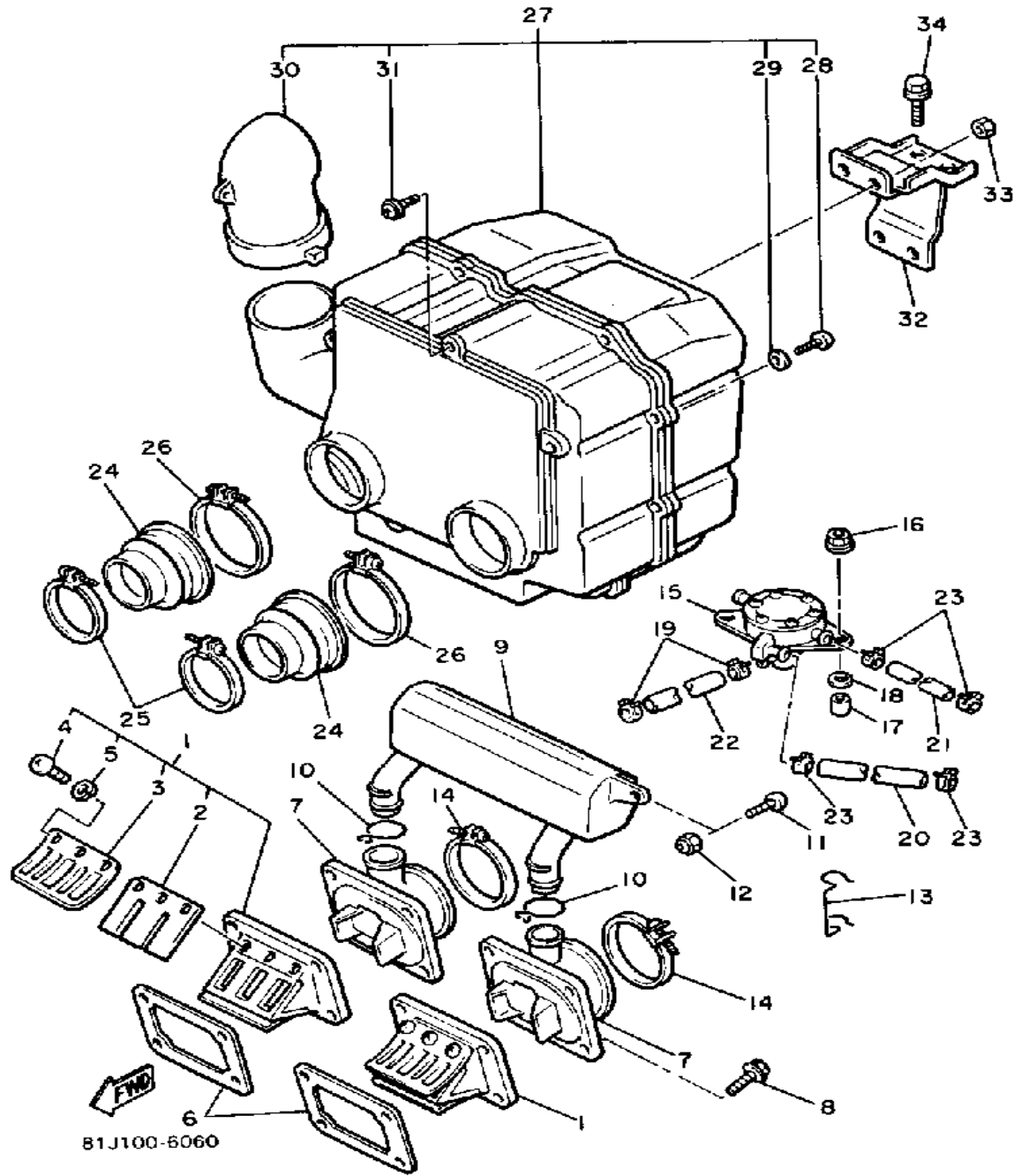


Ref. No.	Part Number	Description	Qty	Remarks
1	3R5-13610-00-00	REED VALVE ASSEMBLY	2	
2	3R5-13613-00-00	. REED, VALVE	2	
3	2X5-13616-00-00	. STOPPER, REED VALVE	2	
4	98580-03008-00	. SCREW, PAN HEAD	6	
5	92990-04100-00	. WASHER, SPRING	6	
6	80L-13621-01-00	GASKET, VALVE SEAT	2	
7	8V0-13555-00-00	MANIFOLD, INTAKE	2	
8	95811-06025-00	BOLT, FLANGE	8	
9	8V0-13581-00-00	CHAMBER, AIR	1	
10	90467-24096-00	CLIP	2	
11	98586-05016-00	SCREW, PAN HEAD	1	
12	92906-05200-00	WASHER, PLAIN	1	
13	95316-05700-00	NUT	1	
14	90465-10033-00	CLAMP	1	
15	86M-13575-00-00	BAND	2	
16	8V0-24410-02-00	FUEL PUMP ASSEMBLY (8V0-24410-01)	1	
17	95380-06700-00	NUT	2	
18	92995-06100-00	WASHER, SPRING	2	
19	90387-06387-00	COLLAR	2	
20	90201-06778-00	WASHER, PLATE	2	
21	90446-09059-00	HOSE	1	
22	90446-09053-00	HOSE	1	
23	90445-10140-00	HOSE	1	
24	90467-09026-00	CLIP	6	
25	8V0-14453-00-00	JOINT, AIR CLEANER 1	2	
26	90460-68230-00	CLAMP, HOSE	2	
27	90460-81224-00	CLAMP, HOSE	2	
28	SE-ENOTE---	UNAVAILABLE IN PRICE BOOK	1	N/A

CONTINUED ON NEXT FRAME ►

Property of www.SmallEngineDiscount.com - Not for Resale

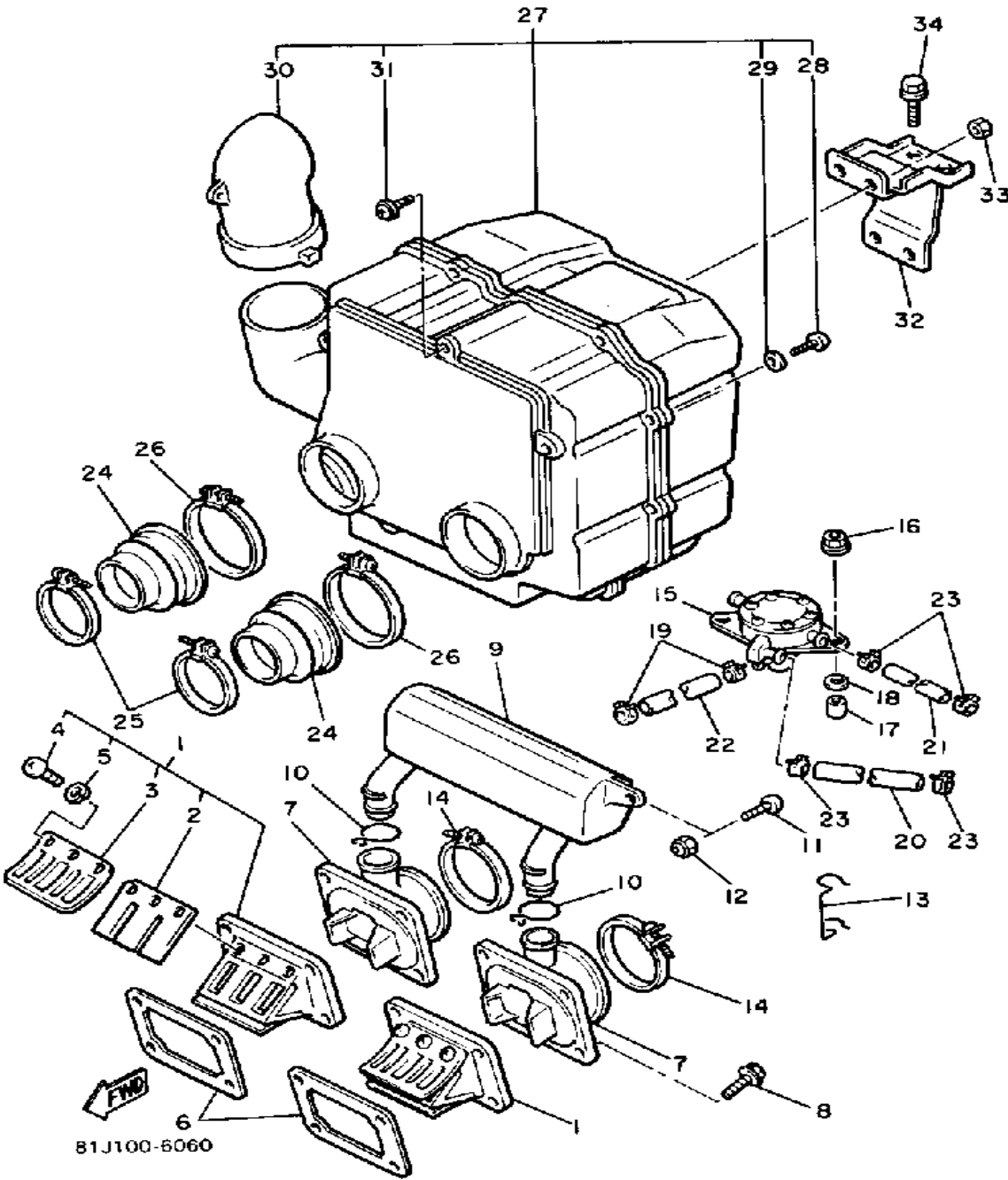
AIR CLEANER



Ref. No.	Part Number	Description	Qty	Remarks
29	SE-ENOTE---	UNAVAILABLE IN PRICE BOOK	1	N/A
30	SE-ENOTE---	UNAVAILABLE IN PRICE BOOK	1	N/A
31	SE-ENOTE---	UNAVAILABLE IN PRICE BOOK	1	N/A
32	SE-ENOTE---	UNAVAILABLE IN PRICE BOOK	1	N/A
33	98586-05016-00	SCREW, PAN HEAD	12	
34	92906-05600-00	WASHER, PLATE	12	
35	8V0-14454-00-00	JOINT	1	
36	8V0-14494-00-00	STAY 2	1	
37	95380-06600-00	NUT	3	
38	95811-06012-00	BOLT, FLANGE	2	

Property of www.SmallEngineDiscount.com - Not for Resale

AIR CLEANER

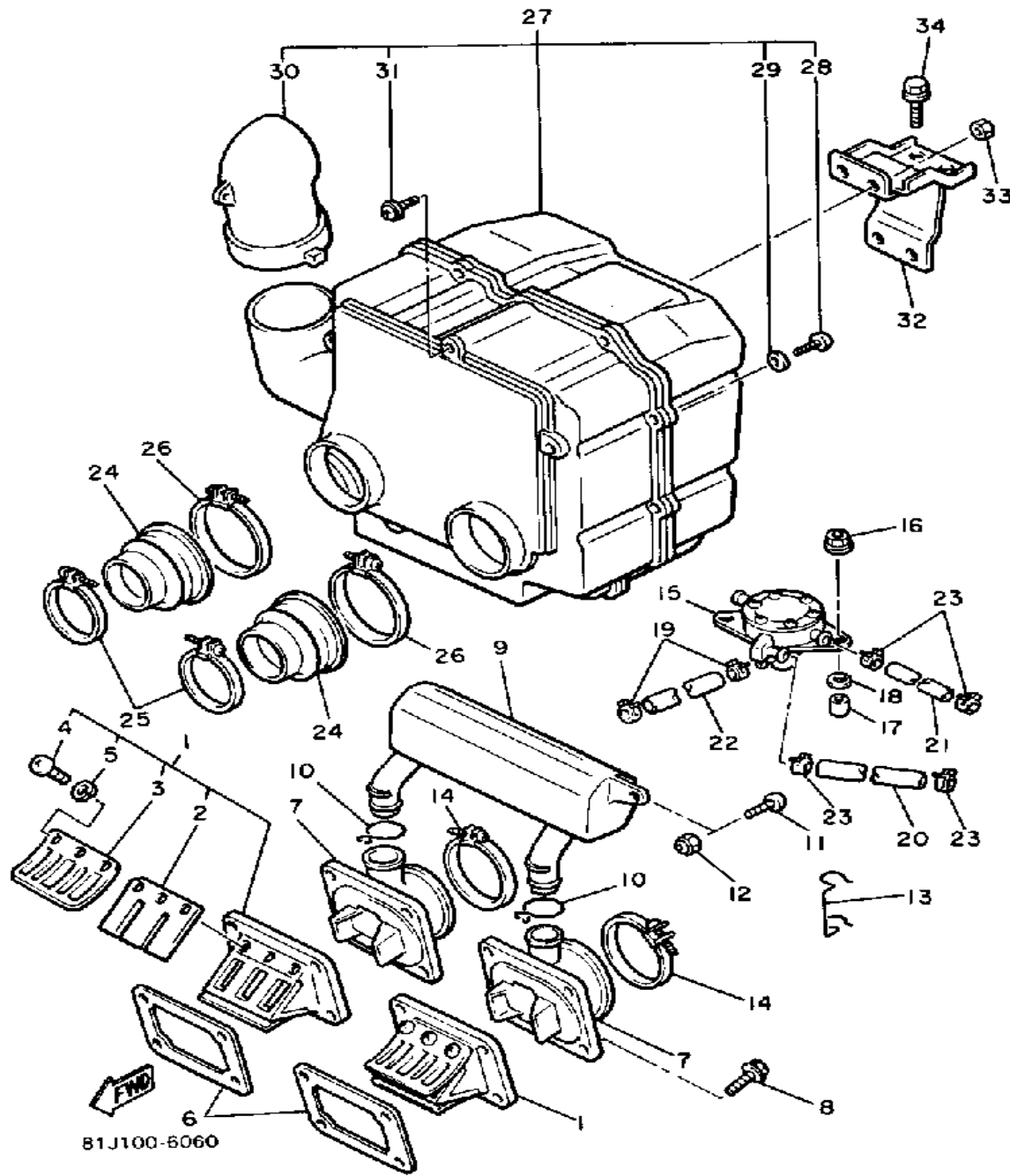


Ref. No.	Part Number	Description	Qty	Remarks
1	3R5-13610-00-00	REED VALVE ASSEMBLY	2	
2	3R5-13613-00-00	. REED, VALVE	2	
3	2X5-13616-00-00	. STOPPER, REED VALVE	2	
4	98580-03008-00	. SCREW, PAN HEAD	6	
5	92990-03100-00	. WASHER, SPRING (92901-03100)	6	
6	80L-13621-01-00	GASKET, VALVE SEAT	2	
7	8V0-13555-00-00	MANIFOLD, INTAKE	2	
8	95811-06025-00	BOLT, FLANGE	8	
9	8V0-13581-00-00	CHAMBER, AIR	1	
10	90467-24096-00	CLIP	2	
11	90154-05005-00	SCREW, BINDING	1	D SEE NOTE
12	95706-05300-00	NUT, nylon	1	D SEE NOTE
13	90465-10033-00	CLAMP	1	
14	86M-13575-00-00	BAND	2	
15	8V0-24410-02-00	FUEL PUMP ASSEMBLY (8V0-24410-01)	1	
16	95701-06500-00	NUT, FLANGE	2	D SEE NOTE
17	90387-06387-00	COLLAR	2	
18	90201-06778-00	WASHER, PLATE	2	
19	90467-09006-00	CLIP	2	D SEE NOTE
20	90446-09059-00	HOSE	1	
21	91A20-05036-00	TUBE, FLEXIBLE	1	D SEE NOTE
22	90445-10140-00	HOSE	1	
23	90467-09026-00	CLIP	4	
24	8V0-14453-00-00	JOINT, AIR CLEANER 1	2	
25	90460-68230-00	CLAMP, HOSE	2	
26	90460-81224-00	CLAMP, HOSE	2	
27	8V0-14440-01-00	SILENCER ASSEMBLY, INTAKE	1	LEANER CASE

CONTINUED ON NEXT FRAME ►

Property of www.SmallEngineDiscount.com - Not for Resale

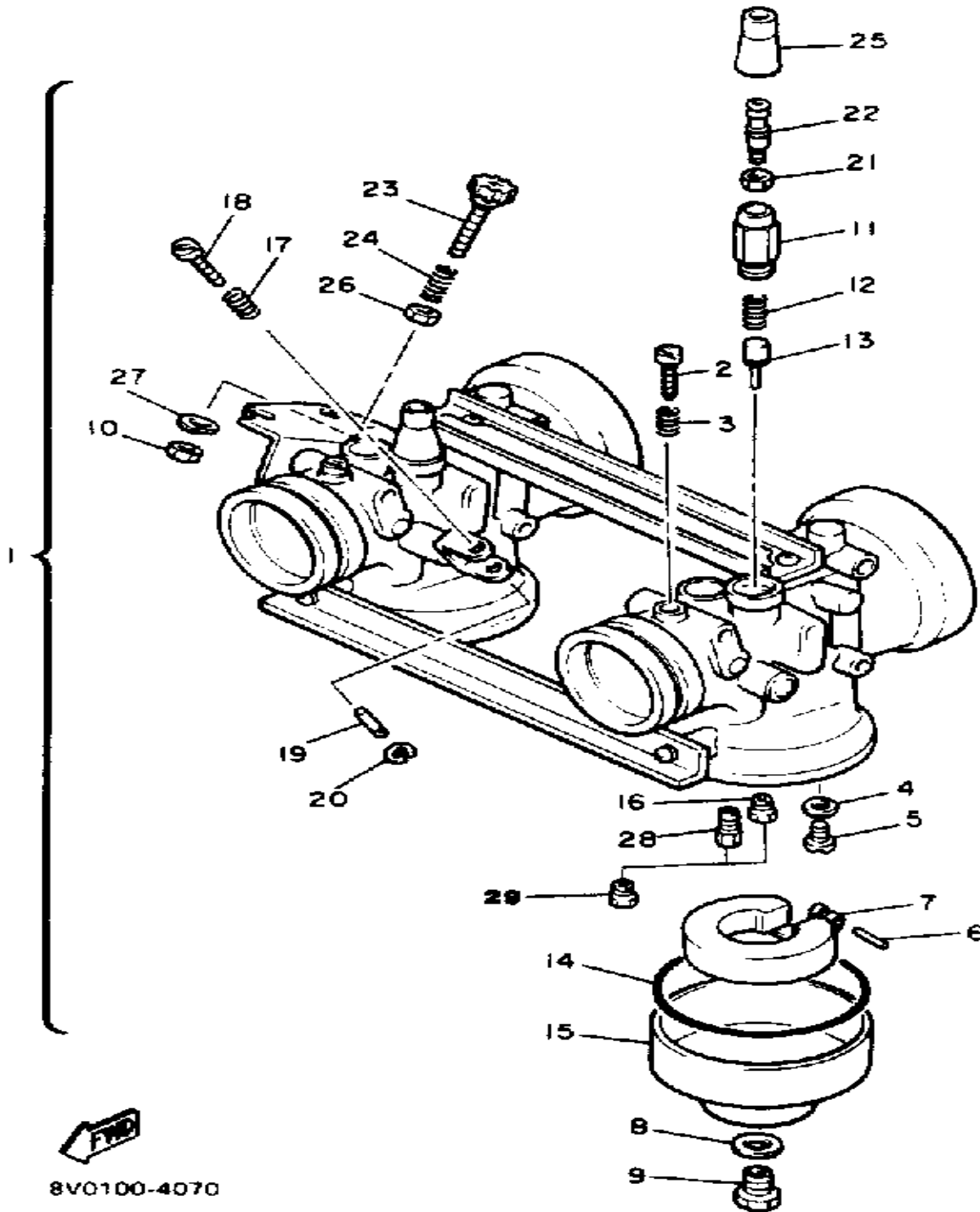
AIR CLEANER



Ref. No.	Part Number	Description	Qty	Remarks
28	98586-05016-00	SCREW, PAN HEAD	7	
29	92906-05600-00	WASHER, PLATE	7	
30	8V0-14454-00-00	JOINT	1	
31	90159-05122-00	SCREW, WITH WASHER	6	
32	8V0-14494-00-00	STAY 2	1	
33	95380-06600-00	NUT	4	
34	95811-06012-00	BOLT, FLANGE	2	

Property of www.SmallEngineDiscount.com - Not for Resale

CARBURETOR



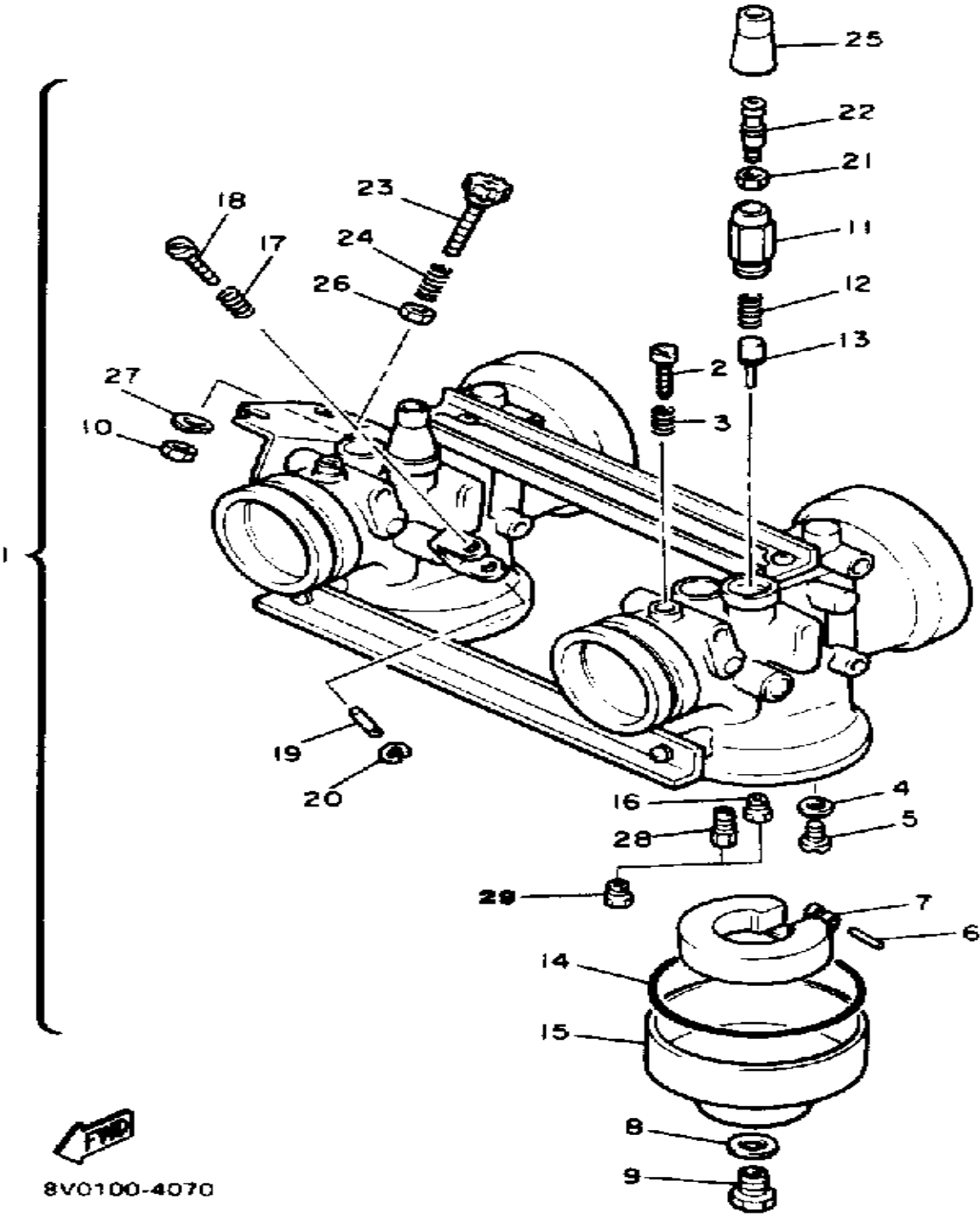
Ref. No.	Part Number	Description	Qty	Remarks
1	8V0-14100-03-00	CARBURETOR ASSEMBLY (8V0-14100-00)	1	
2	620-14211-00-00	. SCREW, PILOT ADJUSTING	1	
3	7R4-14212-00-00	. SPRING, PILOT ADJUSTING	1	
4	214-14195-00-00	. WASHER, NEEDLE VALVE	1	
5	168-14190-15-00	. NEEDLE VALVE ASSEMBLY	1	
6	8M6-14186-00-00	. PIN, FLOAT	1	
7	8M6-14185-00-00	. FLOAT	1	
8	286-14198-00-00	. GASKET	1	
9	8M6-14261-00-00	. HOLDER	1	
10	812-14594-00-00	. NUT	2	
11	8G8-14174-00-00	. CAP, PLUNGER	1	
12	127-14135-00-00	. SPRING, PLUNGER	1	
13	8G8-14171-00-00	. PLUNGER, STARTER	1	
14	8M6-14126-00-00	. GASKET	1	
15	8M6-14181-00-00	. BODY, FLOAT CHAMBER 1	1	
16	193-14142-95-00	. JET, PILOT (# 95)	1	
17	3F7-14133-00-00	. SPRING, THROTTLE STOP	1	
18	12R-1490K-00-00	. STOP SCREW SET	1	
19	584-14992-00-00	. ROD	1	
20	256-14937-00-00	. CLIP	1	
21	802-14161-00-00	. NUT, CABLE ADJUSTING	1	
22	12G-14106-00-00	. CABLE ADJUST SCREW SET	1	
23	8V0-14122-00-00	. SCREW, THROTTLE	1	
24	8V0-14555-00-00	. SPRING	1	
25	8A7-14169-00-00	. CAP	1	
26	8V0-14358-00-00	. NUT	1	
27	8V0-14356-00-00	. WASHER, SPRING	1	
28	256-14944-26-00	. JET, MAIN 130 (#130)	1	U.R.

CONTINUED ON NEXT FRAME ➤

Property of www.SmallEngineDiscount.com - Not for Resale

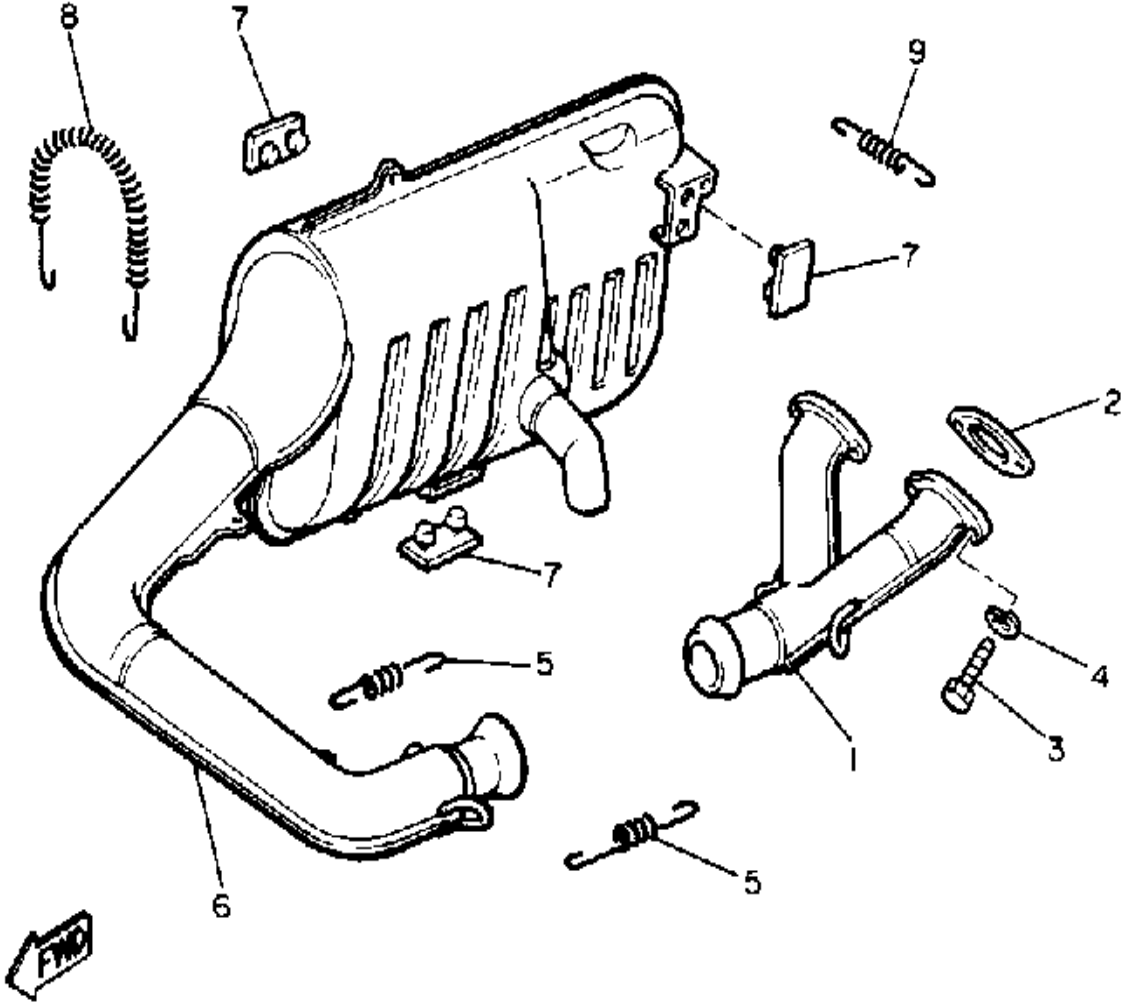
CARBURETOR

Ref. No.	Part Number	Description	Qty	Remarks
28	3G2-14231-24-00	. JET, MAIN (#120)	1	U.R.
	3G2-14231-25-00	. JET, MAIN (#125)	1	U.R.
	3G2-14231-27-00	. JET, MAIN (#135)	1	U.R.
	3G2-14231-28-00	. JET, MAIN (#140)	1	U.R.
	3G2-14231-29-00	. JET, MAIN (#145)	1	U.R.
	3G2-14231-30-A0	. JET, MAIN (#150)	1	U.R.
	3G2-1423E-57-00	. JET, MAIN (#143.8)	1	U.R. STD
29	8V0-14118-00-00	. CAP	4	



Property of www.SmallEngineDiscount.com - Not for Resale

EXHAUST

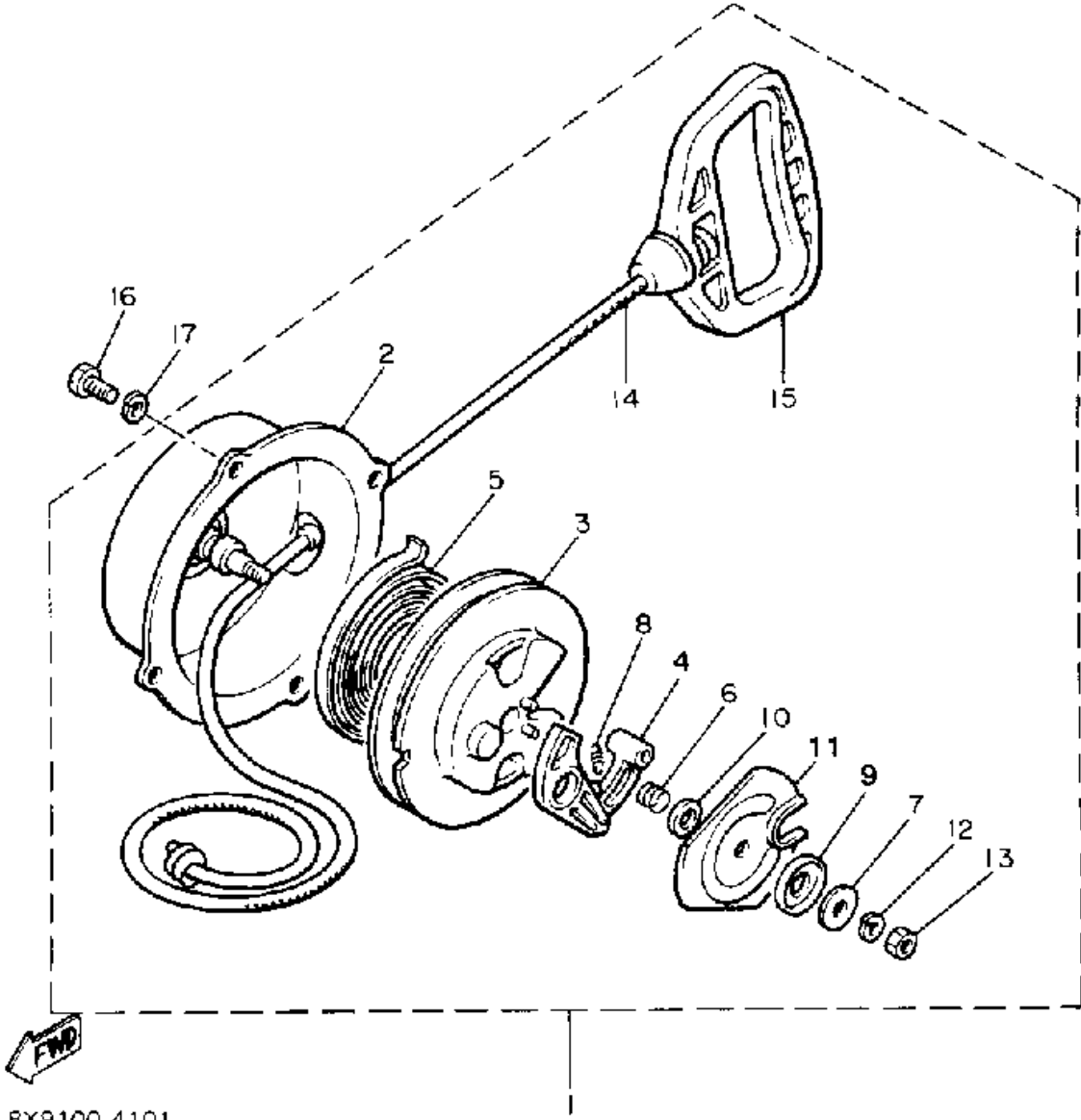


8V0100-4080

Ref. No.	Part Number	Description	Qty	Remarks
1	8V0-14610-00-00	EXHAUST PIPE ASSEMBLY 1	1	
2	821-14613-01-00	GASKET, EXHAUST PIPE	2	
3	97313-08020-00	BOLT, HEXAGON	4	
4	92990-08100-00	WASHER	4	
5	90506-20272-00	SPRING, TENSION	2	
6	8V0-14710-04-00	MUFFLER ASSEMBLY 1	1	
7	8A5-14728-02-00	PROTECTOR, MUFFLER 2	3	
8	90506-14207-00	SPRING, TENSION	1	
9	90506-16350-00	SPRING, TENSION	1	

Property of www.SmallEngineDiscount.com - Not for Resale

STARTER

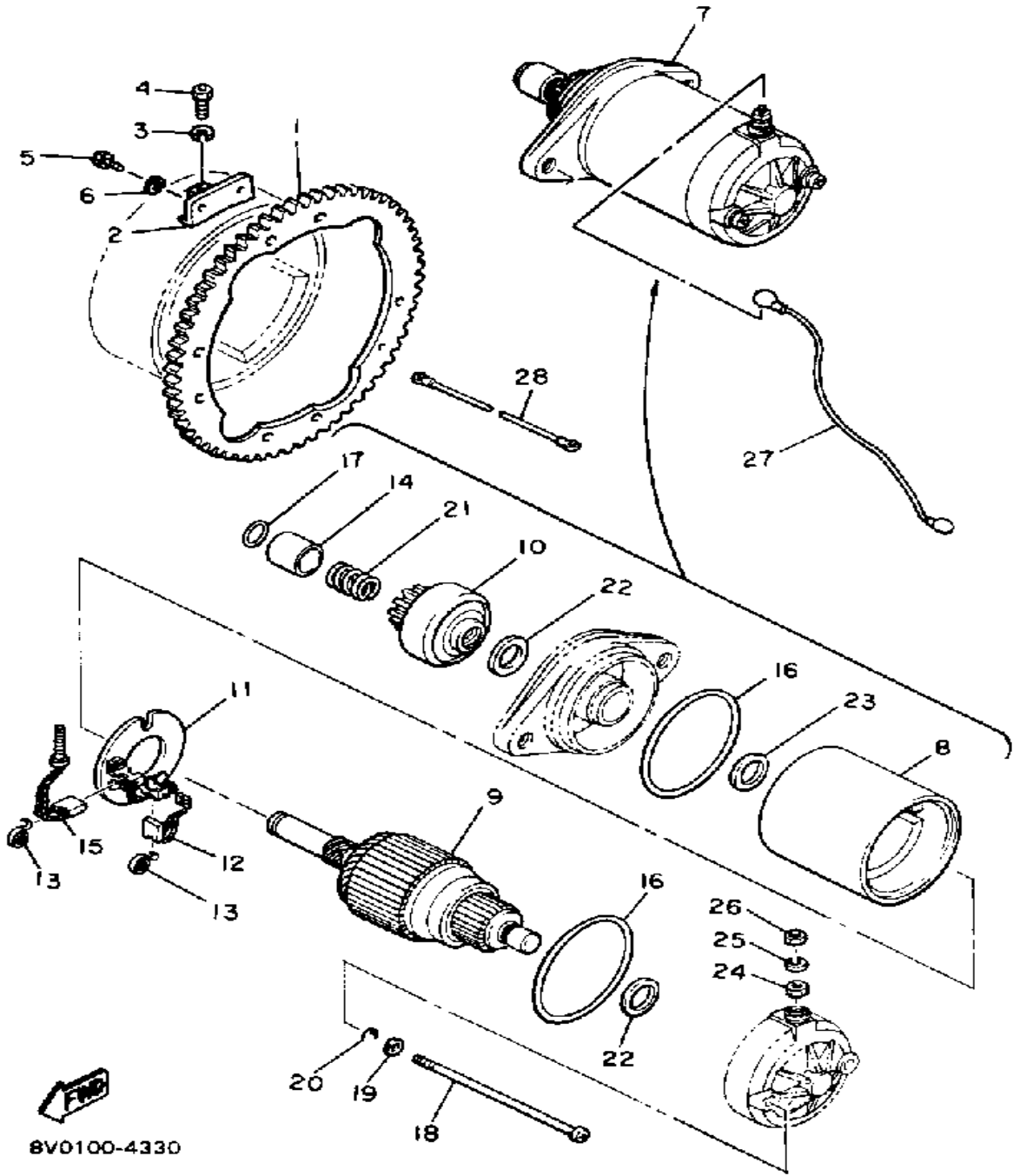


BX9100-4101

Ref. No.	Part Number	Description	Qty	Remarks
1	8V0-15710-00-00	STARTER ASSEMBLY	1	
2	8V0-15711-00-00	. CASE, STARTER	1	
3	8F3-15714-01-00	. DRUM, SHEAVE	1	
4	8F3-15741-01-00	. PAWL, DRIVE	1	
5	8Y0-15713-00-00	. SPRING, STARTER	1	
6	8F3-15715-00-00	. SPRING, FRICTION	1	
7	8F3-15739-01-00	. WASHER, THRUST	1	
8	8F3-15734-00-00	. SPRING, RETURN	1	
9	8G5-15739-00-00	. WASHER, THRUST	1	
10	82M-15779-00-00	. COVER	1	
11	8F3-15716-03-00	. PLATE, DRIVE	1	
12	92995-06100-00	. WASHER, SPRING	1	
13	95380-06700-00	. NUT	1	
14	857-15751-00-00	. WIRE, STARTER	1	
15	8F3-15755-00-00	. HANDLE, STARTER	1	
16	97026-06014-00	BOLT	4	
17	92906-06100-00	WASHER, SPRING	4	

Property of www.SmallEngineDiscount.com - Not for Resale

STARTING MOTOR

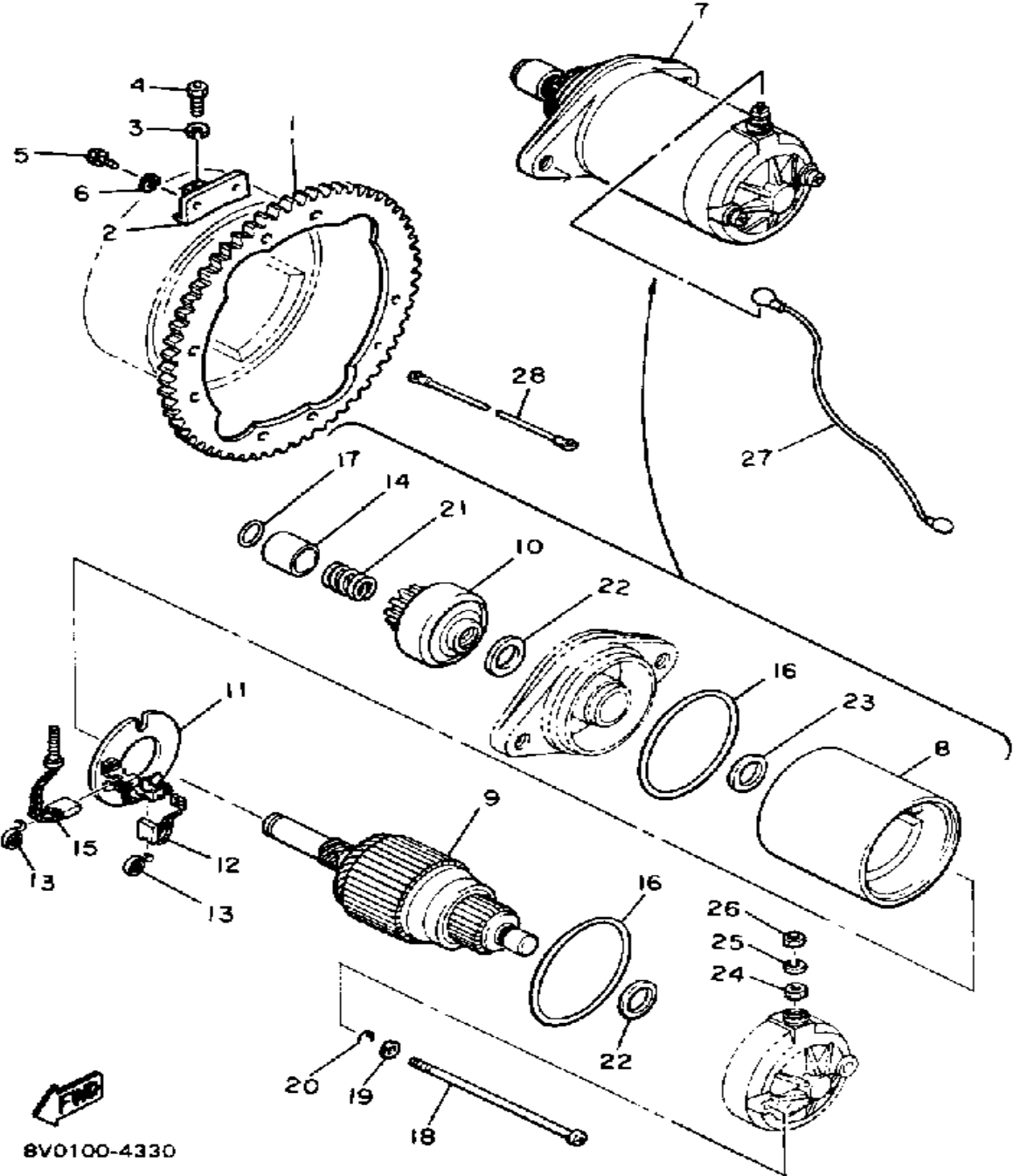


Ref. No.	Part Number	Description	Qty	Remarks
1	8X9-81891-00-00	GEAR, RING	1	
2	8X9-81895-00-00	STAY, RING GEAR	4	
3	92990-08100-00	WASHER	4	
4	90110-08028-00	BOLT, HEX SKT HEADSOCKET HEAD	4	
5	97011-06010-00	BOLT	8	
6	92995-06100-00	WASHER, SPRING	8	
7	84N-81800-50-00	STARTING MOTOR ASSEMBLY (8V3-81800-50-00)	1	
8	(8L6-81810-50-00)	STATOR ASSEMBLY	1	
9	8L6-81850-50-00	. ARMATURE ASSEMBLY	1	
10	8L6-81832-50-00	. CLUTCH, OVER RUN	1	
11	8L6-81840-50-00	. BRUSH HOLDER ASSEMBLY	1	
12	4H7-81812-01-00	. BRUSH 2	1	
13	8L6-81813-50-00	. SPRING, BRUSH	2	
14	8L6-81833-50-00	. RING, STOP	1	
15	8L6-81811-50-00	. BRUSH 1	1	
16	4H7-81844-00-00	. O-RING (4H7-81844-50-00) ...	2	
17	8L6-81834-50-00	. RING	1	
18	4H7-81826-01-00	. BOLT	2	
19	8L6-81824-50-00	. WASHER 2	2	
20	8L6-81847-50-00	. O-RING	2	
21	8L6-81836-50-00	. SPRNG, lever	1	
22	4H7-81843-50-00	. WASHER 1	2	
23	8L6-81835-50-00	. WASHER 2	1	
24	4H7-81872-00-00	. NUT, SPECIAL	1	
25	92995-06100-00	. WASHER, SPRING	1	
26	95380-06700-00	. NUT	1	
27	83M-82117-00-00	WIRE, LEAD (81E-82117-00) ..	1	

CONTINUED ON NEXT FRAME ►

Property of www.SmallEngineDiscount.com - Not for Resale

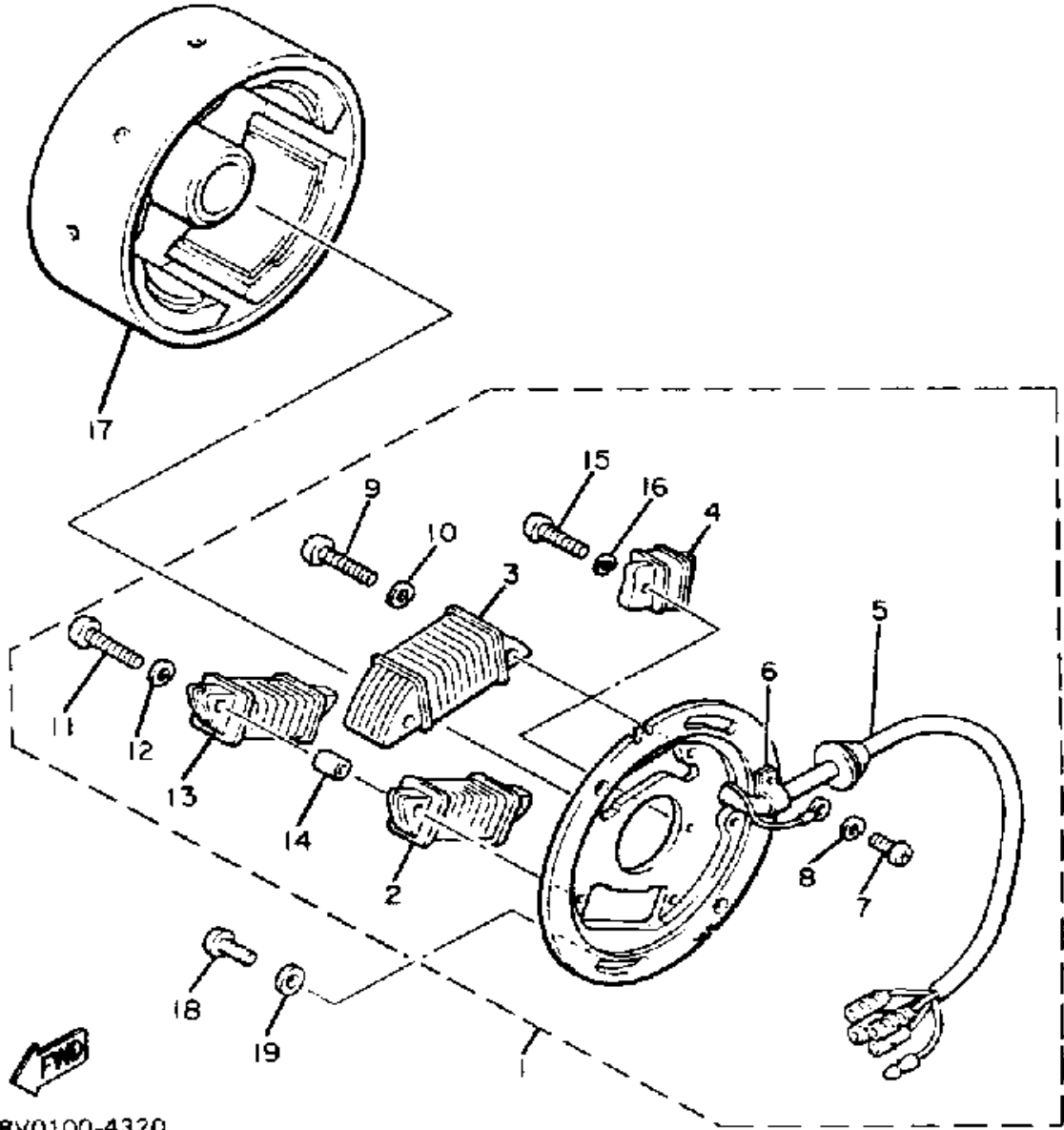
STARTING MOTOR



Ref. No.	Part Number	Description	Qty	Remarks
28	83M-82116-00-00	WIRE, MINUS LEAD (81E-82116-00)	1	

Property of www.SmallEngineDiscount.com - Not for Resale

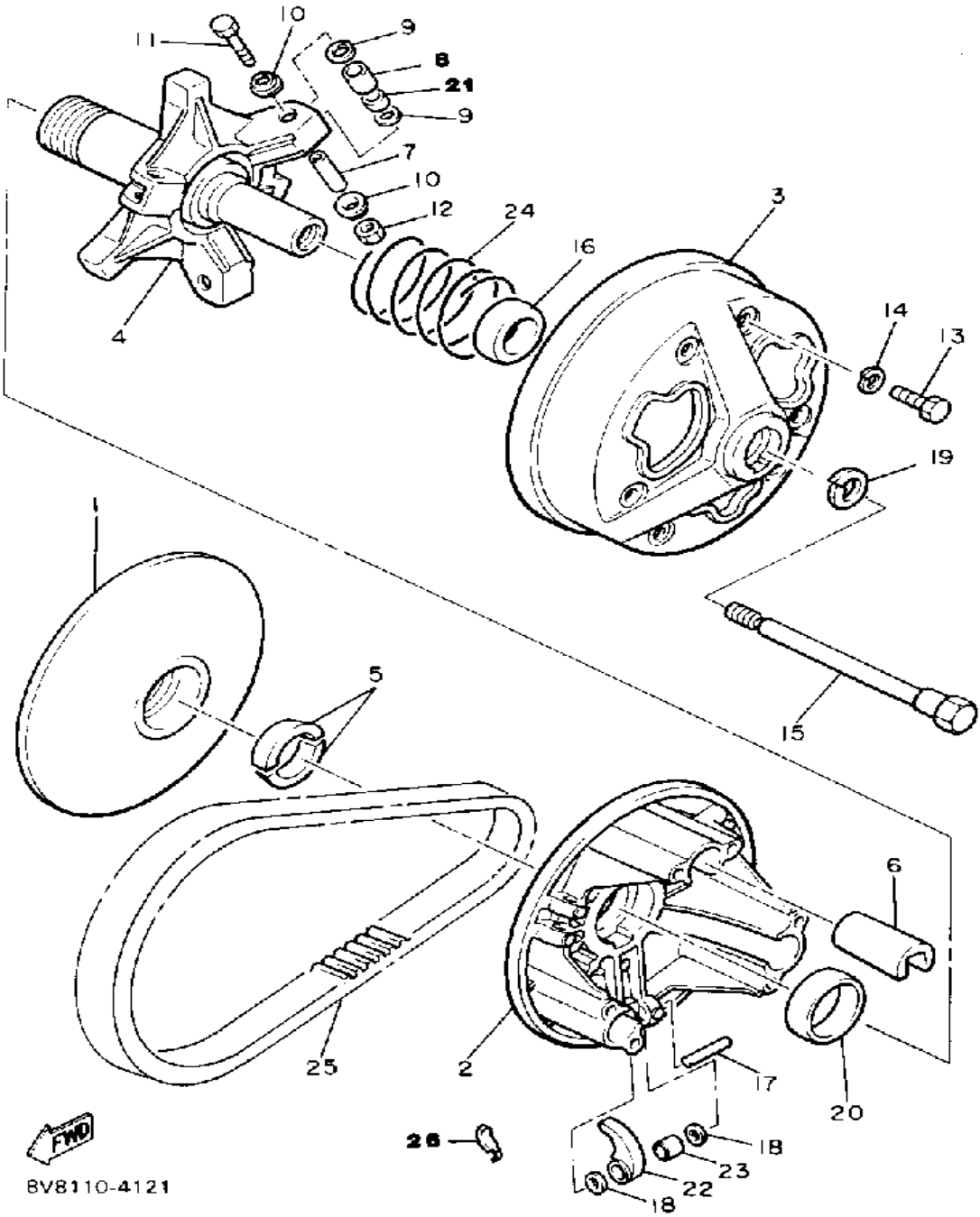
GENERATOR



Ref. No.	Part Number	Description	Qty	Remarks
1	88F-85510-00-00	STATOR ASSEMBLY	1	
2	86M-85511-00-00	. COIL, SOURCE	1	
3	8H8-85513-20-00	. COIL, LIGHTING 1	1	
4	82M-85580-20-00	. COIL, PULSER	1	
5	8W0-85515-20-00	. LEAD WIRE ASSEMBLY (8V0-85515-20)	1	
6	445-81328-20-00	. CLAMP	2	
7	98580-04008-00	. SCREW, PAN HEAD	1	
8	92901-04600-00	. WASHER, PLATE	1	
9	98501-05035-00	. SCREW, PAN HEAD	2	
10	92990-05100-00	. WASHER, SPRING	2	
11	98501-05040-00	. SCREW, PAN HEAD (98502-05040)	2	
12	92990-05100-00	. WASHER, SPRING	2	
13	82M-85514-20-00	. COIL, LIGHTING 2	1	
14	8T0-85519-20-00	. SPACER	2	
15	98506-04018-00	. SCREW, PAN HEAD	2	
16	92901-04600-00	. WASHER, PLATE	2	
17	8V0-85550-20-00	ROTOR ASSEMBLY	1	
18	98980-06016-00	SCREW, BINDING	2	
19	90201-06043-00	WASHER, PLATE	2	

Property of www.SmallEngineDiscount.com - Not for Resale

PRIMARY SHEAVE

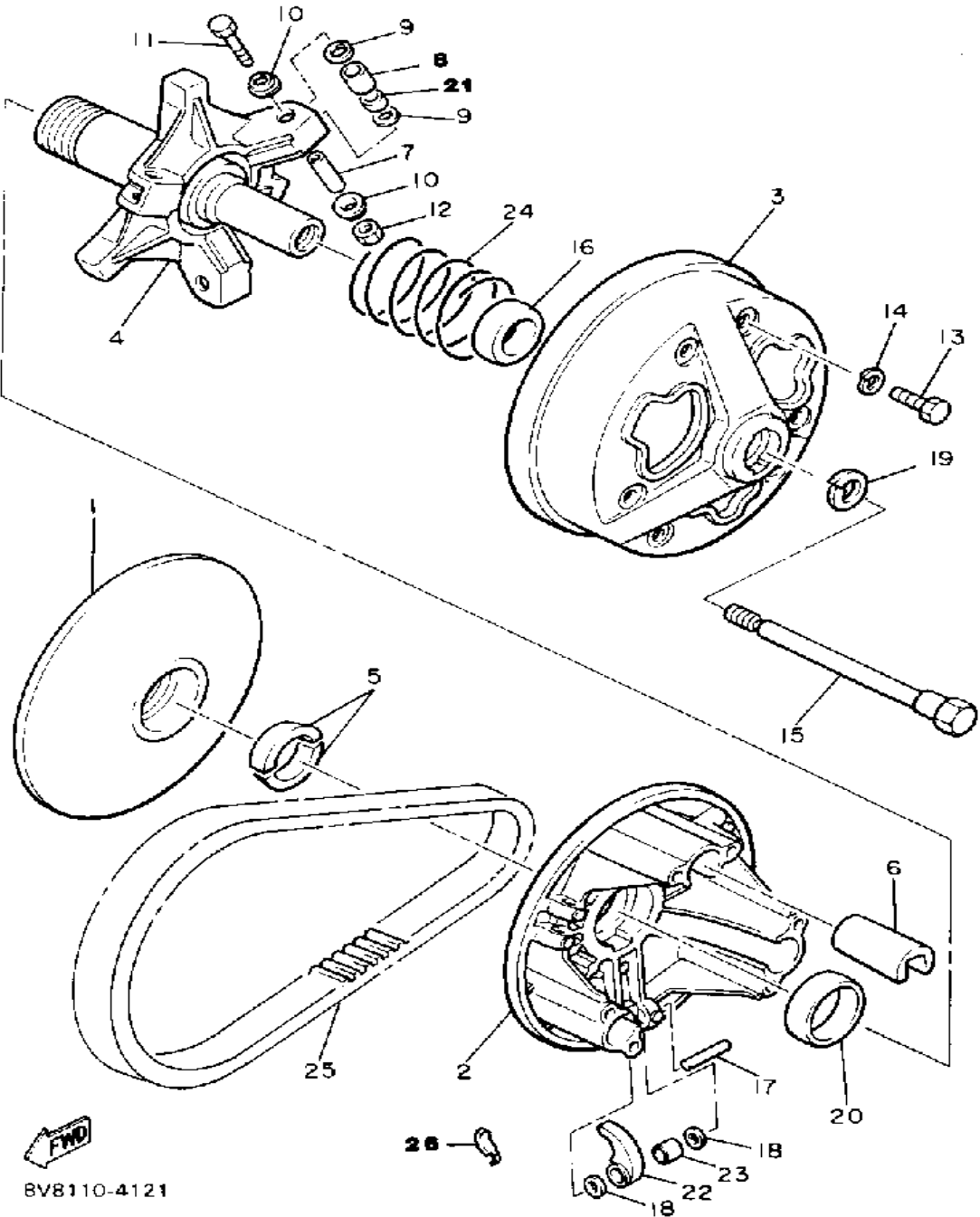


Ref. No.	Part Number	Description	Qty	Remarks
1	84J-17611-00-00	SHEAVE, PRIMARY FIXED	1	0
2	8V0-17621-01-00	SHEAVE, PRIMARY SLIDING	1	0
3	8V0-17631-00-00	CAP	1	0
4	82M-17640-01-00	SPIDER, COMPLETE	1	0
5	8V0-17639-00-00	STOPPER	2	0
6	88X-17653-00-00	SLIDER	3	0
7	90387-086G4-00	COLLAR	3	0
8	90387-096J5-00	COLLAR	3	0
9	90202-08205-00	WASHER, PLATE	6	0
10	90208-05036-00	WASHER, CONICAL SPR	6	0
11	97313-05035-00	BOLT	3	0
12	95612-05100-00	NUT, U	3	0
13	97313-06030-00	BOLT, HEXAGON	6	0
14	89X-00000-50-00	CLUTCH TUNE-UP KIT (K)	1	MARKED W/
	8V0-17601-19-00	CLUTCH MARKED	1	MARKED W/O
	92995-06100-00	WASHER, SPRING	6	0
15	8V0-17647-00-00	BOLT (L=156.5MM)	1	0
16	90389-28032-00	BUSH	1	0
17	93607-44190-00	PIN, DOWEL	3	0
18	90201-077F5-00	WASHER, PLATE	6	0
19	92901-16100-00	WASHER, SPRING	1	0
20	90389-40029-00	BUSH	1	0
21	90380-08132-00	BUSH, SOLID	3	0
22	8V0-W176A-00-00	WEIGHT, WITH BUSH	3	0
23	8V0-17677-02-00	BUSHING	3	0
24	90501-45534-00	SPRING, COMPRESSION	1	U.R. STD
	90501-520A2-00	SPRING, COMPRESSION	1	U.R. HIGH ALT.
25	8F2-17641-01-00	V-BELT	1	0
26	(8V0-17649-00-00)	SPACER	3	0

CONTINUED ON NEXT FRAME ➤

Property of www.SmallEngineDiscount.com - Not for Resale

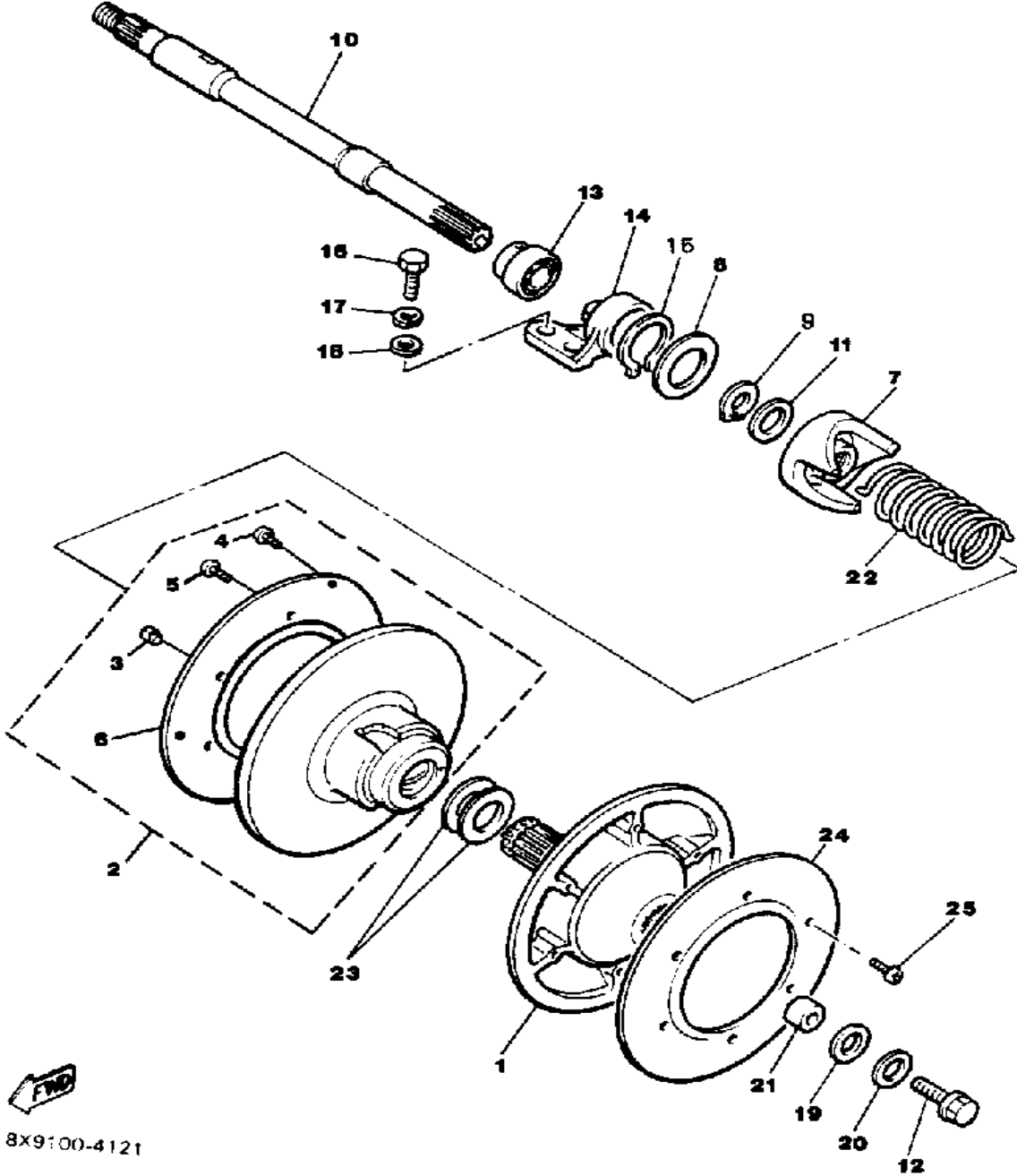
PRIMARY SHEAVE



Ref. No.	Part Number	Description	Qty	Remarks
26	89X-00000-50-00	CLUTCH TUNE-UP KIT (K)	1	MARKED W/
	8V0-17601-19-00	CLUTCH MARKED	1	MARKED W/O OPTIONAL PARTS

Property of www.SmallEngineDiscount.com - Not for Resale

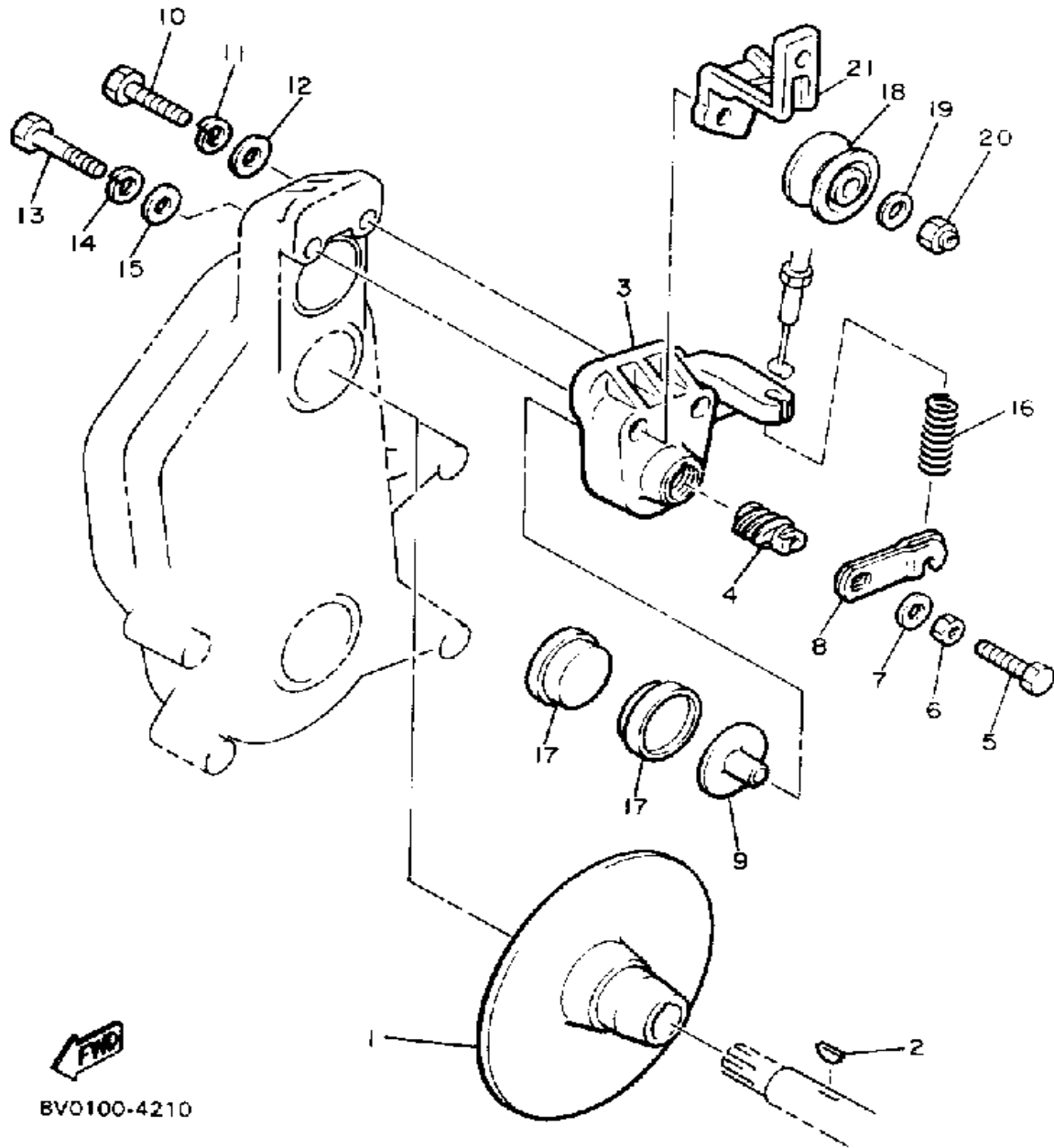
SECONDARY SHEAVE



Ref. No.	Part Number	Description	Qty	Remarks
1	80R-17660-01-00	SEC. FIXED SHEAVECOMP ...	1	
2	81H-17670-00-00	SECONDARY SLIDING SHEAVE	1	
3	8X6-17688-00-00	. SHOE, RAMP	3	
4	98580-06012-00	. SCREW, PAN HEAD	3	
5	98580-05010-00	. SCREW, PAN HEAD	6	
6	81H-17675-00-00	. PLATE 2	1	
7	8V0-17684-00-00	SEAT, SECONDARY SPRING .	1	
8	90201-34684-00	WASHER, PLATE	1	
9	93440-34170-00	CIRCLIP	1	
10	82M-17681-00-00	SHAFT, SECONDARY	1	
11	90201-25526-00	WASHER, PLATE (T2.0)	1	U.R.
12	90105-14175-00	BOLT, WASHER BASED	1	
13	888-17678-00-00	BEARING	1	
14	8V0-47631-00-00	HOUSING, BEARING	1	
15	99009-52500-00	CIRCLIP	1	
16	97322-08022-00	BOLT, HEXAGON	4	
17	92990-08100-00	WASHER	4	
18	92901-08600-00	WASHER	4	
19	90201-225A4-00	WASHER, PLATE (T1.0)	1	
20	90201-222F0-00	WASHER, PLATE (T0.5)	1	
21	90387-147A8-00	COLLAR	1	
22	90508-50654-00	SPRING, TORSION	1	
23	90201-345G2-00	WASHER, PLATE	2	
24	81H-17665-00-00	PLATE 1	1	
25	98580-05010-00	SCREW, PAN HEAD	6	

Property of www.SmallEngineDiscount.com - Not for Resale

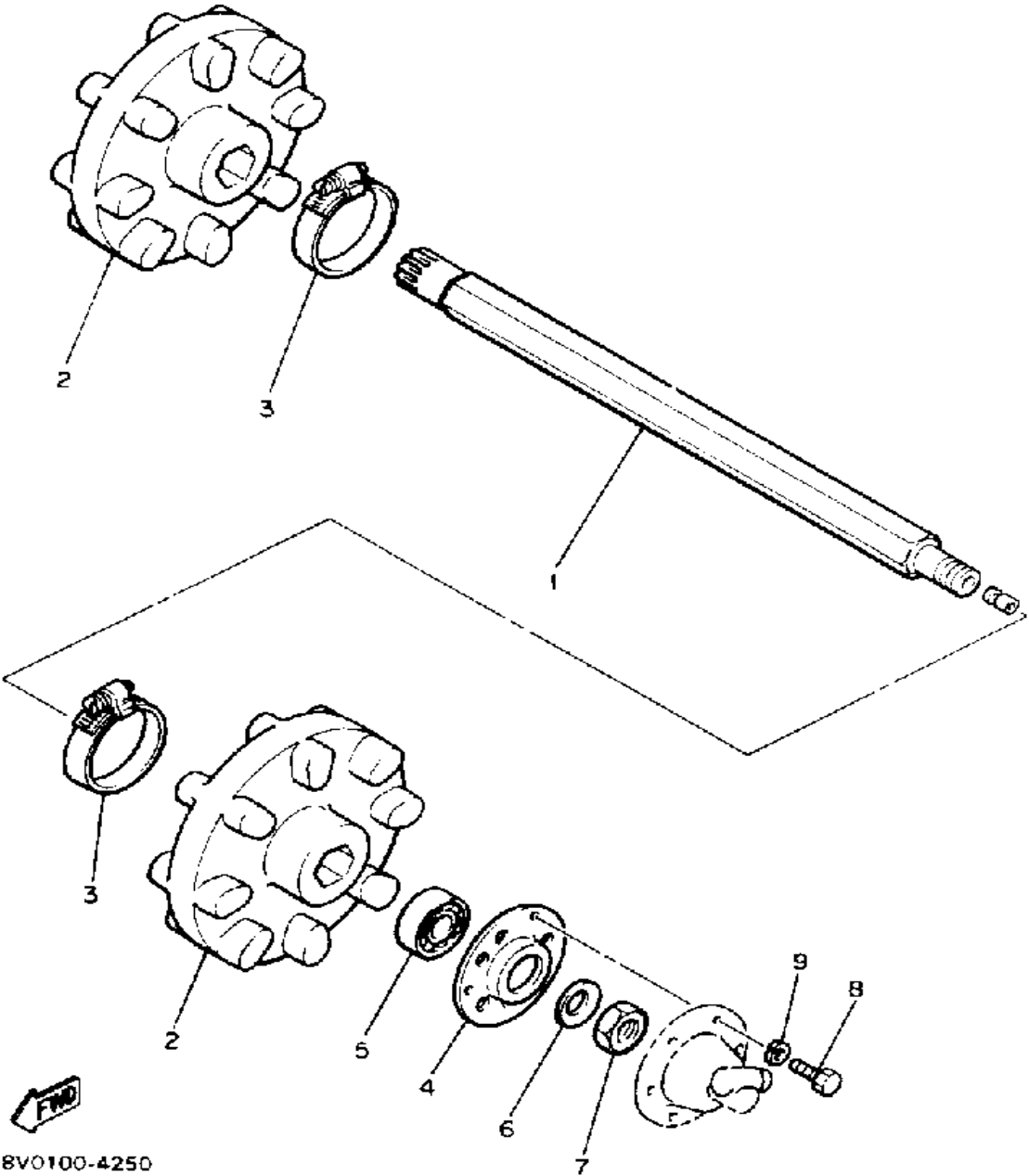
BRAKE



Ref. No.	Part Number	Description	Qty	Remarks
1	8V0-25831-00-00	DISC, BRAKE (RIGHT)	1	
2	8J7-25848-00-00	KEY	1	
3	8K4-25731-00-00	BODY, CALIPER 1	1	
4	878-25728-00-00	CAM	1	
5	90101-08499-00	BOLT	1	
6	95303-08700-00	NUT	1	
7	92901-08600-00	WASHER	1	
8	878-25726-00-00	LEVER, BRAKE	1	
9	878-25733-00-00	PLATE, BACK UP	1	
10	97313-10055-00	BOLT, HEXAGON (97322-10055)	1	
11	92990-10100-00	WASHER, SPRING	1	
12	92990-10600-00	WASHER, PLATE	1	
13	90109-107A4-00	BOLT	1	
14	92990-10100-00	WASHER, SPRING	1	
15	92990-10600-00	WASHER, PLATE	1	
16	90501-23337-00	SPRING, COMPRESSION	1	
17	84X-25811-01-00	PAD, CALIPER 2	2	
18	8V0-26399-00-00	GUIDE, CABLE	1	
19	92990-08200-00	WASHER, PLAIN	1	
20	95712-08300-00	NUT, LOCK	1	
21	8V0-2193F-00-00	BRKT, OIL TANK 2	1	

Property of www.SmallEngineDiscount.com - Not for Resale

TRACK DRIVE 1

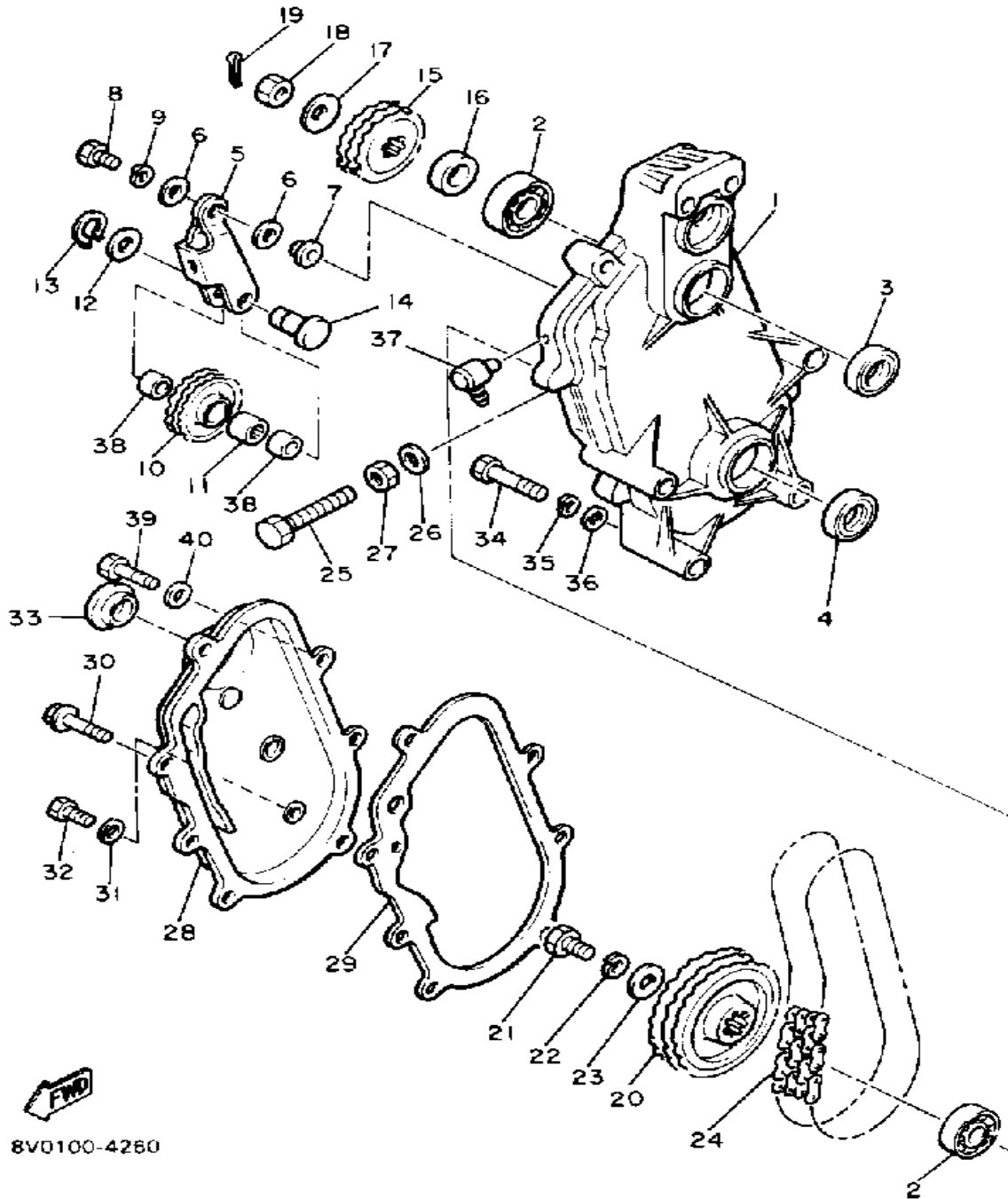


Ref. No.	Part Number	Description	Qty	Remarks
1	8K4-W4751-01-00	AXLE, FRONT	1	
2	8J7-47531-01-00	WHEEL, SPROCKET 1	2	
3	90460-50079-00	CLAMP, HOSE	2	
4	8K4-47551-00-00	HOUSING, FRONT AXLE	1	
5	93306-00420-00	BEARING (B6004)	1	
6	90208-22001-00	WASHER, CONICAL SPRING ..	1	
7	90170-22094-00	NUT	1	
8	97011-08016-00	BOLT	3	
9	92990-08100-00	WASHER	3	

8V0100-4250

Property of www.SmallEngineDiscount.com - Not for Resale

TRACK DRIVE 2



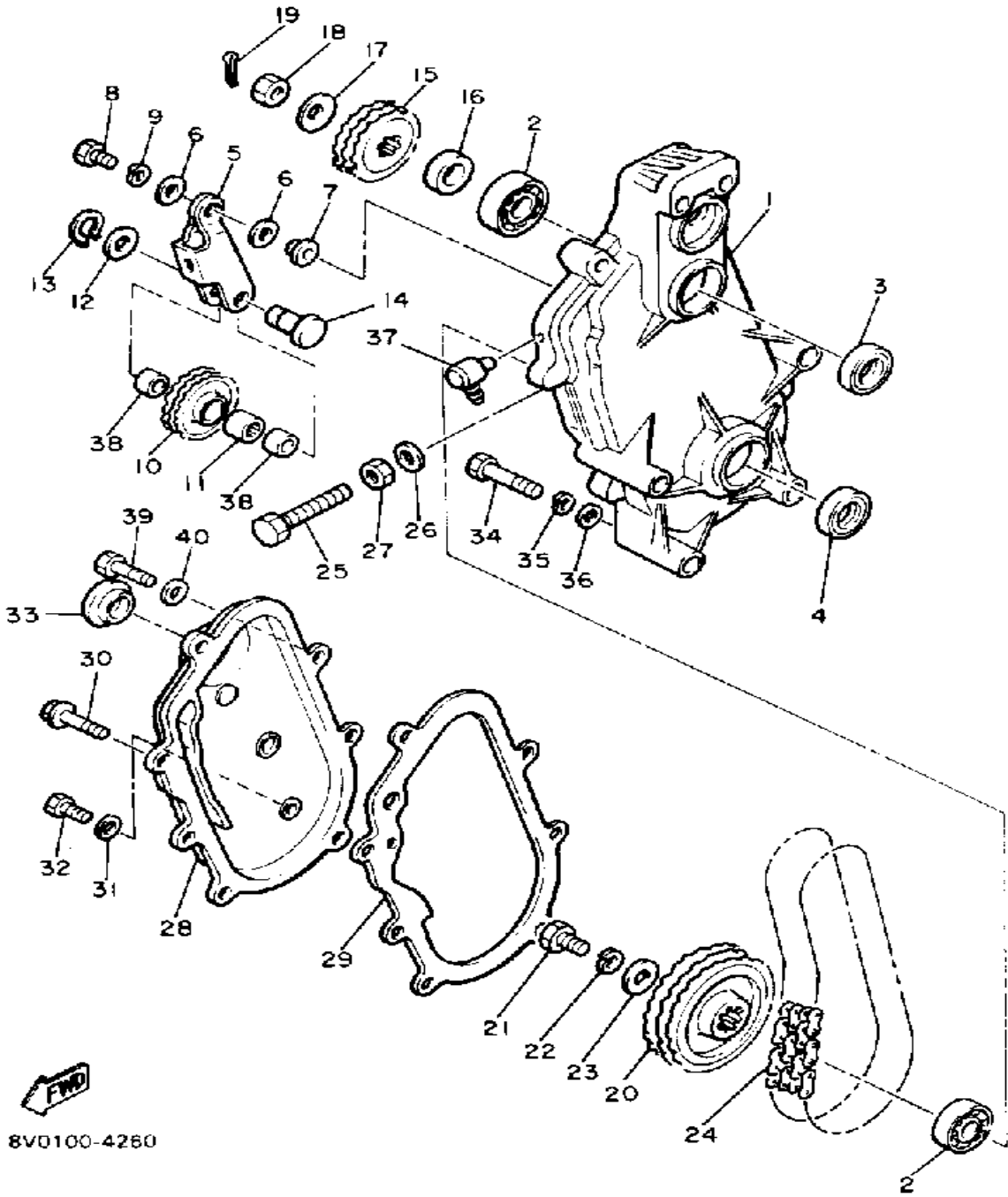
8V0100-4260

Ref. No.	Part Number	Description	Qty	Remarks
1	99999-02119-00	HOUSING, CHAIN	1	
2	93306-20570-00	BEARING	2	
3	93102-27204-00	OIL SEAL	1	
4	93102-25081-00	OIL SEAL	1	
5	8U9-47613-02-00	HOLDER	1	
6	92990-08200-00	WASHER, PLAIN	2	
7	90387-08301-00	COLLAR	1	
8	97013-08025-00	BOLT	1	
9	92990-08100-00	WASHER	1	
10	8U9-47612-00-00	WHEEL	1	
11	93315-21227-00	BEARING	1	
12	90201-12631-00	WASHER, PLATE	1	
13	99009-12400-00	CIRCLIP	1	
14	90249-12216-00	PIN	1	
15	829-17682-00-00	SPRKT, CHAIN DR 20T (20T)	1	ALT. PART
	829-17682-50-00	SPRKT, CHAIN DR 15T (878-17682-50) (15T)	1	ALT. PART
	829-17682-60-00	SPRKT, CHAIN DR 16T (16T)	1	ALT. PART
	829-17682-70-00	SPRKT, CHAIN DR 17T (17T)	1	U.R. STD
	829-17682-80-00	SPRKT, CHAIN DR 18T (18T)	1	ALT. PART
	829-17682-90-00	SPRKT, CHAIN DR 19T (878-17682-90) (19T)	1	ALT. PART
	8U9-17693-20-00	SPROCKET, CHAIN DR (878-17693-20) (22T)	1	ALT. PART
16	90387-25798-00	COLLAR	1	
17	90208-20008-00	WASHER, CONICAL SPRING	1	
18	90170-20211-00	NUT	1	
19	91401-30030-00	PIN, COTTER	1	
20	878-47548-90-00	SPROCKET, CHN DRVN (29T)	1	U.R. STD
	8U9-47587-00-00	SPROCKET, CHN DRVN (31T)	1	ALT. PART

CONTINUED ON NEXT FRAME ►

Property of www.SmallEngineDiscount.com - Not for Resale

TRACK DRIVE 2

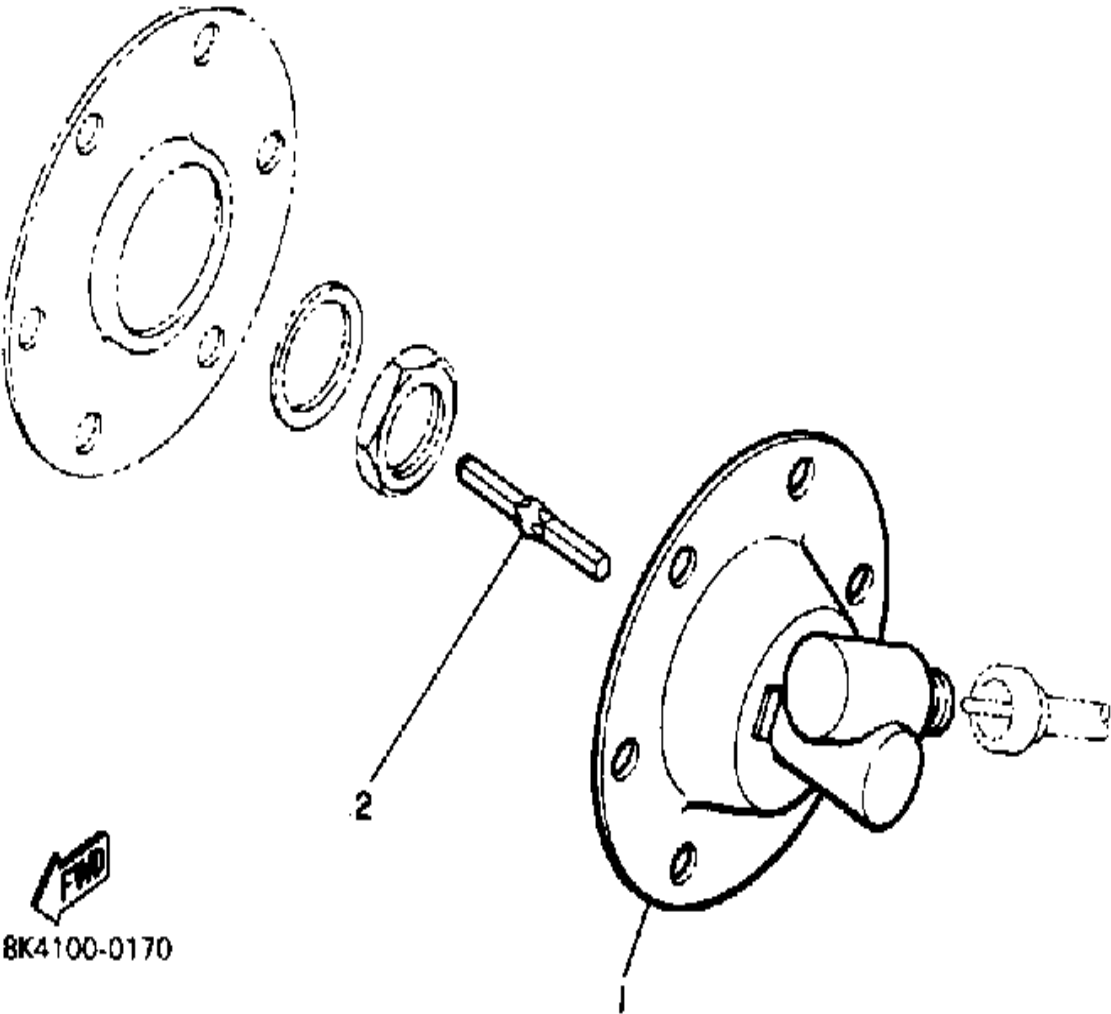


8V0100-4260

Ref. No.	Part Number	Description	Qty	Remarks
20	8U9-47587-10-00	SPROCKET, CHN DRVN (888-47587-00) (33T)	1	ALT. PART
	8U9-47587-30-00	SPROCKET, CHN DRVN (878-47587-20) (35T)	1	ALT. PART
21	97011-10025-00	BOLT	1	
22	92990-10100-00	WASHER, SPRING	1	
23	90201-10322-00	WASHER, PLATE	1	
24	94890-05066-00	CHAIN	1	U.R. STD
	94890-05068-00	CHAIN	1	ALT. PART
25	90101-10357-00	BOLT	1	
26	90210-10004-00	WASHER, SEAL	1	
27	95303-10700-00	NUT	1	
28	8V0-47543-00-00	CAP, HOUSING	1	
29	86F-47592-00-00	GASKET	1	
30	95811-06025-00	BOLT, FLANGE	5	
31	90210-06006-00	WASHER, SEAL	1	
32	97011-06010-00	BOLT	1	
33	90338-30219-00	PLUG	1	
34	97021-08065-00	BOLT	4	
35	92990-08100-00	WASHER	4	
36	92901-08600-00	WASHER	4	
37	3YJ-15371-00-00	BREATHER	1	
38	90387-122H7-00	COLLAR	2	
39	97011-06025-00	BOLT (97001-06025)	2	
40	92990-06200-00	WASHER	2	

Property of www.SmallEngineDiscount.com - Not for Resale

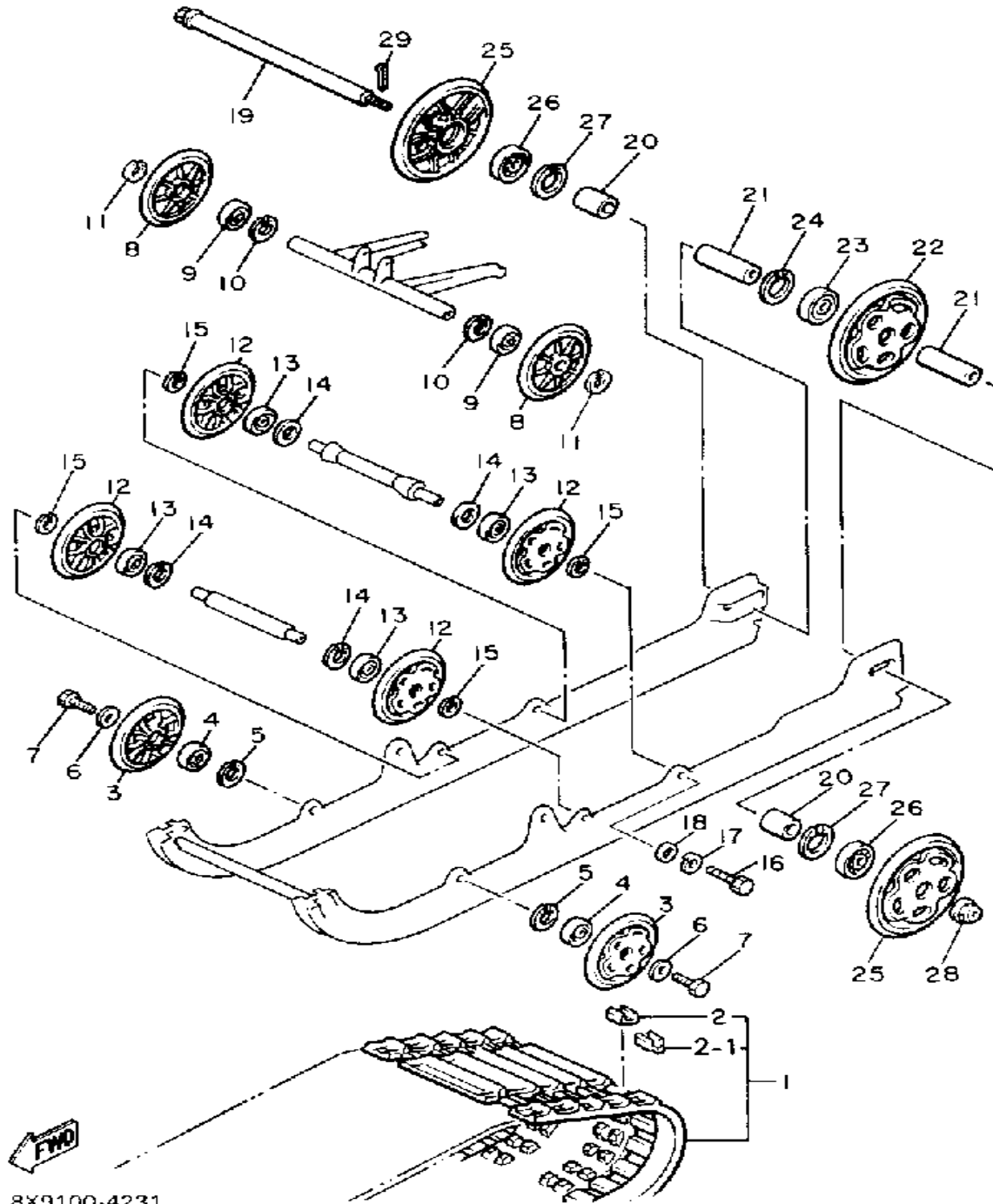
SPEEDOMETER - GEAR UNIT



Ref. No.	Part Number	Description	Qty	Remarks
1	8L8-47700-00-00	METER GEAR HOUSING COMP.	1	
2	8K4-47715-00-00	JOINT	1	

Property of www.SmallEngineDiscount.com - Not for Resale

TRACK SUSPENSION 1

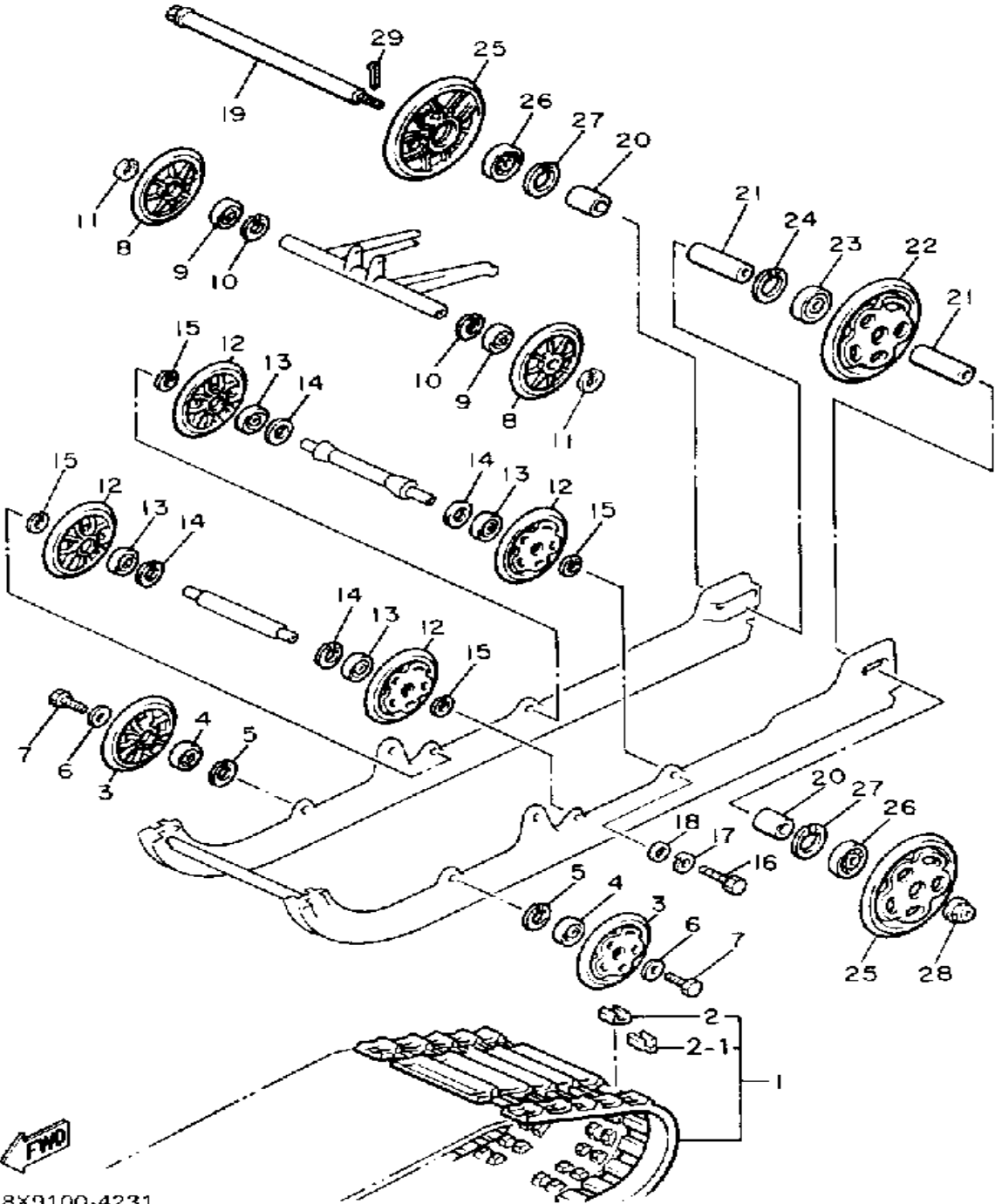


Ref. No.	Part Number	Description	Qty	Remarks
1	8V0-47110-00-00	TRACK ASSEMBLY	1	
2	8A5-47115-00-00	. METAL, SLIDE	46	
3	87U-47320-00-00	SUSPENSION WHEEL COMP.	2	
4	93306-00441-00	BEARING (89A) (B6004RS)	2	
5	99009-42500-00	CIRCLIP	2	
6	90201-08681-00	WASHER, PLATE	2	
7	90109-08559-00	BOLT	2	
8	885-47320-01-00	SUSPENSION WHEEL COMP.	2	
9	93306-00441-00	BEARING (89A) (B6004RS)	2	
10	99009-42500-00	CIRCLIP	2	
11	99009-20400-00	CIRCLIP	2	
12	87M-47320-00-00	SUSPENSION WHEEL COMP.	4	
13	93306-00441-00	BEARING (89A) (B6004RS)	4	
14	99009-42500-00	CIRCLIP	4	
15	99009-20400-00	CIRCLIP	4	
16	97013-08025-00	BOLT	2	
17	92990-08100-00	WASHER	2	
18	92901-08600-00	WASHER	2	
19	8L8-47520-01-00	REAR AXLE COMP. (8L8-47520-02-00)	1	
20	90387-202H9-00	COLLAR	2	
21	90387-203H0-00	COLLAR	2	
22	8K2-47530-00-00	GUIDE WHEEL COMP.	1	
23	93306-20417-00	BEARING (B62042RS)	1	
24	99009-47500-00	CIRCLIP	1	
25	8M6-47530-00-00	GUIDE WHEEL COMP.	2	
26	93306-20417-00	BEARING (B62042RS)	2	
27	99009-47500-00	CIRCLIP	2	
28	95601-14200-00	NUT, U	1	

CONTINUED ON NEXT FRAME ►

Property of www.SmallEngineDiscount.com - Not for Resale

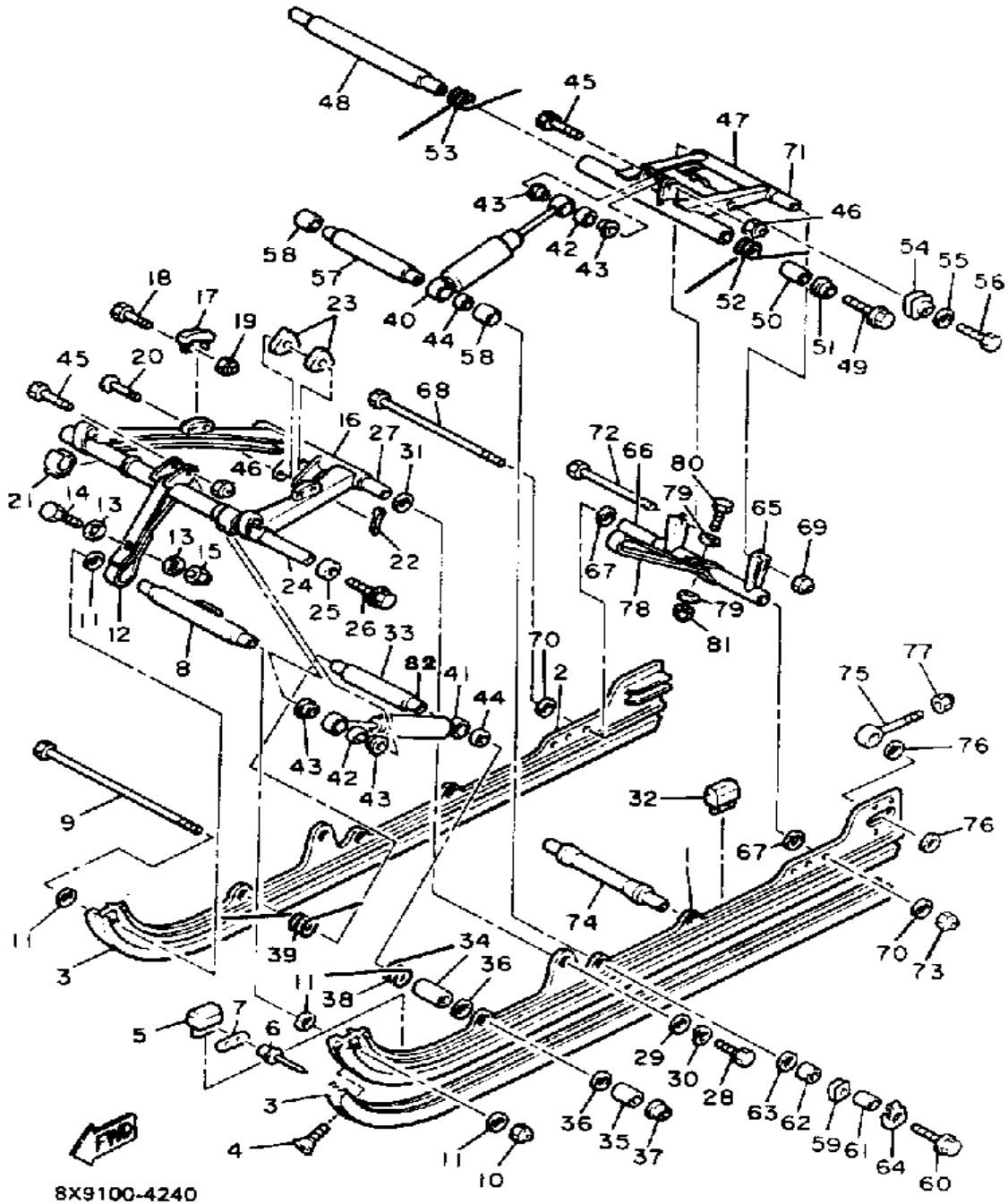
TRACK SUSPENSION 1



Ref. No.	Part Number	Description	Qty	Remarks
29	91401-30030-00	PIN, COTTER	1	
2-1	8A5-47113-00-00	. PLATE, REINFORCEMENT ..	46	

Property of www.SmallEngineDiscount.com - Not for Resale

TRACK SUSPENSION 2

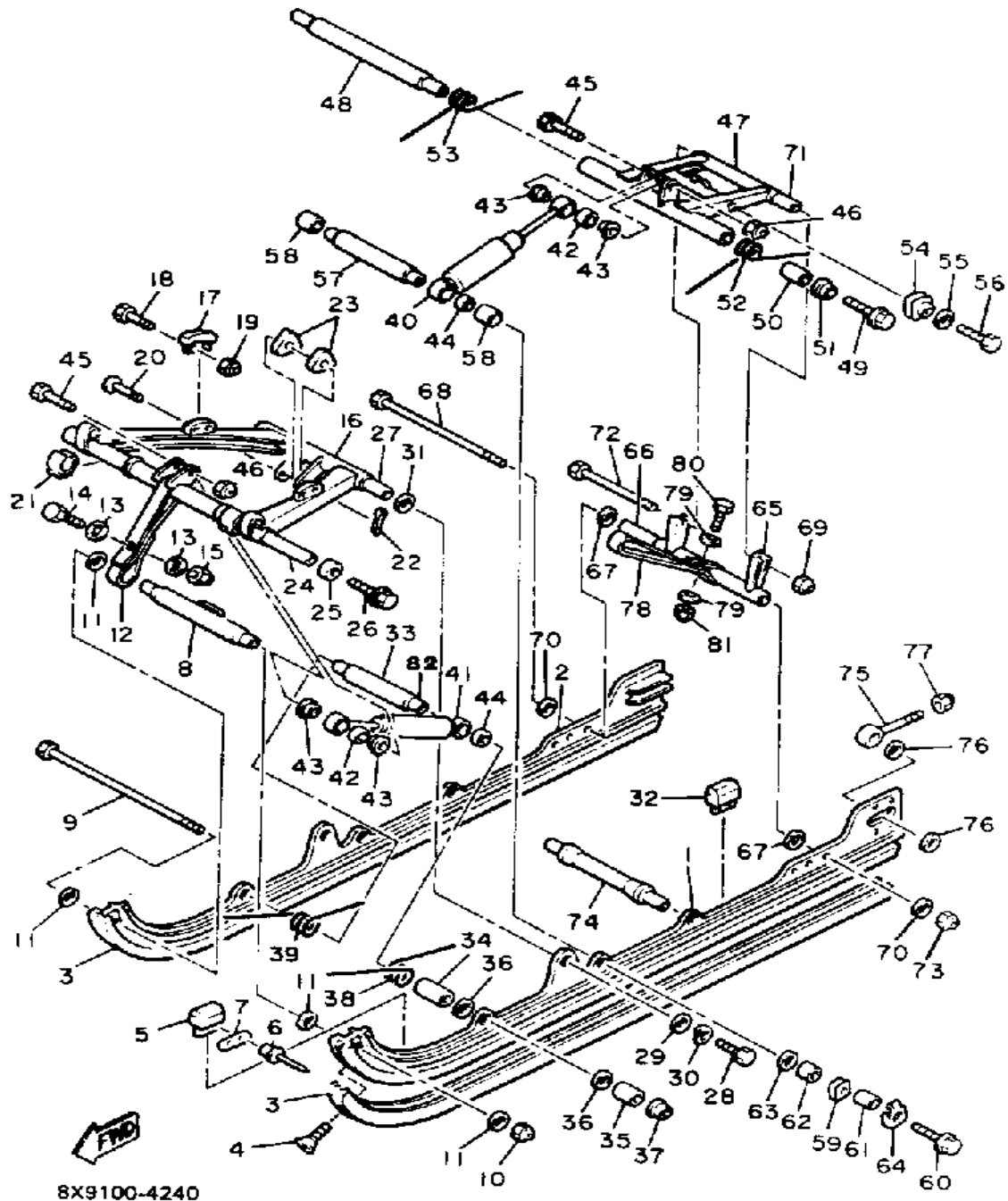


Ref. No.	Part Number	Description	Qty	Remarks
1	8X9-47411-01-00	FRAME, SLIDING 1 (8X9-47411-00)	1	
2	8X9-47412-01-00	FRAME, SLIDING 2 (8X9-47412-00)	1	
3	8V0-47421-00-XX	RUNNER, SLIDING 1 (8V0-47421-00)	2	
4	90151-06010-00	SCREW, COUNTERSUNK	2	
5	8V0-47456-00-00	DAMPER 1	2	
6	90267-48062-00	RIVET, BLIND	8	
7	8K2-47458-01-00	PLATE, DAMPER	8	
8	8V0-47415-00-00	BRACKET 1	1	
9	97022-08250-00	BOLT	1	
10	95712-08300-00	NUT, LOCK	1	
11	92901-08600-00	WASHER	4	
12	8V0-47495-00-00	STOPPER 1	1	
13	90201-06407-00	WASHER, PLATE (90201-06747-00)	2	
14	97011-06025-00	BOLT (97001-06025)	1	
15	95701-06300-00	NUT, NYLON	1	
16	8V0-47331-01-00	ARM, PIVOT 1	1	
17	8F3-47422-01-00	RUNNER, SLIDING 2	2	
18	97011-06025-00	BOLT (97001-06025)	4	
19	95701-06300-00	NUT, NYLON	4	
20	90240-12136-00	PIN, CLEVIS	1	
21	8V0-47447-01-00	HOOK 2	2	
22	91401-30030-00	PIN, COTTER	1	
23	8V0-47448-00-00	HOOK 3	2	
24	8A5-47465-02-00	SHAFT 1	1	
25	8U7-47341-00-00	SPACER	2	
26	90109-10771-00	BOLT	2	

CONTINUED ON NEXT FRAME ►

Property of www.SmallEngineDiscount.com - Not for Resale

TRACK SUSPENSION 2

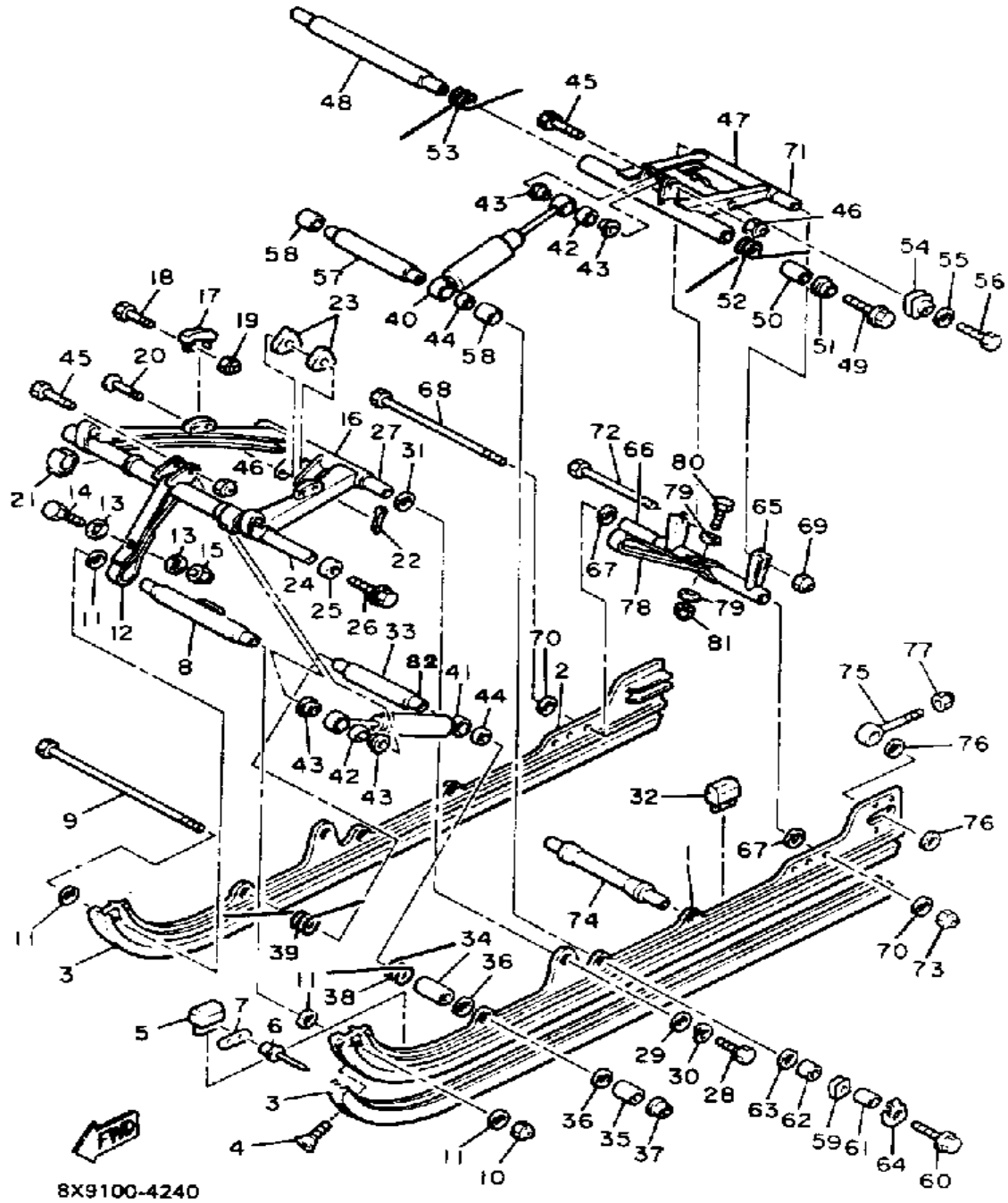


Ref. No.	Part Number	Description	Qty	Remarks
27	8K2-47485-00-00	SHAFT 3	1	
28	97013-10030-00	BOLT (8J7) (97303-10030)	2	
29	90387-105G6-00	COLLAR	2	
30	92990-10100-00	WASHER, SPRING	2	
31	92990-10200-00	WASHER, PLAIN	2	
32	8V0-47456-00-00	DAMPER 1	2	
33	90387-160M7-00	COLLAR	1	
34	8V0-47319-00-00	COLLAR	2	
35	90387-166M8-00	COLLAR	2	
36	90201-161E5-00	WASHER, PLATE	4	
37	90387-166J0-00	COLLAR	2	
38	90508-75651-00	SPRING, TORSION	1	
39	90508-75652-00	SPRING, TORSION	1	
40	80L-47480-00-00	SHOCK ABSORBER	1	
41	80L-47481-00-00	SHOCK ABSORBER 2	1	
42	90387-084J8-00	COLLAR	2	
43	90387-123G4-00	COLLAR	4	
44	8V0-47371-00-00	BUSH, PIVOT	2	
45	97313-08045-00	BOLT	2	
46	95712-08300-00	NUT, LOCK	2	
47	8V0-47332-00-00	ARM, PIVOT 2	1	
48	8K2-47475-00-00	SHAFT 2	1	
49	90109-10771-00	BOLT	2	
50	8V0-47365-00-00	COLLAR 1	2	
51	8V0-47384-00-00	WASHER	2	
52	90508-10579-00	SPRING, TORSION (L.H)	1	
	90508-99656-00	SPRING, TORSION	1	OPTIONAL
53	90508-10580-00	SPRING, TORSION (R.H)	1	
	90508-99657-00	SPRING, TORSION (K178)	1	OPTIONAL

CONTINUED ON NEXT FRAME ➤

Property of www.SmallEngineDiscount.com - Not for Resale

TRACK SUSPENSION 2



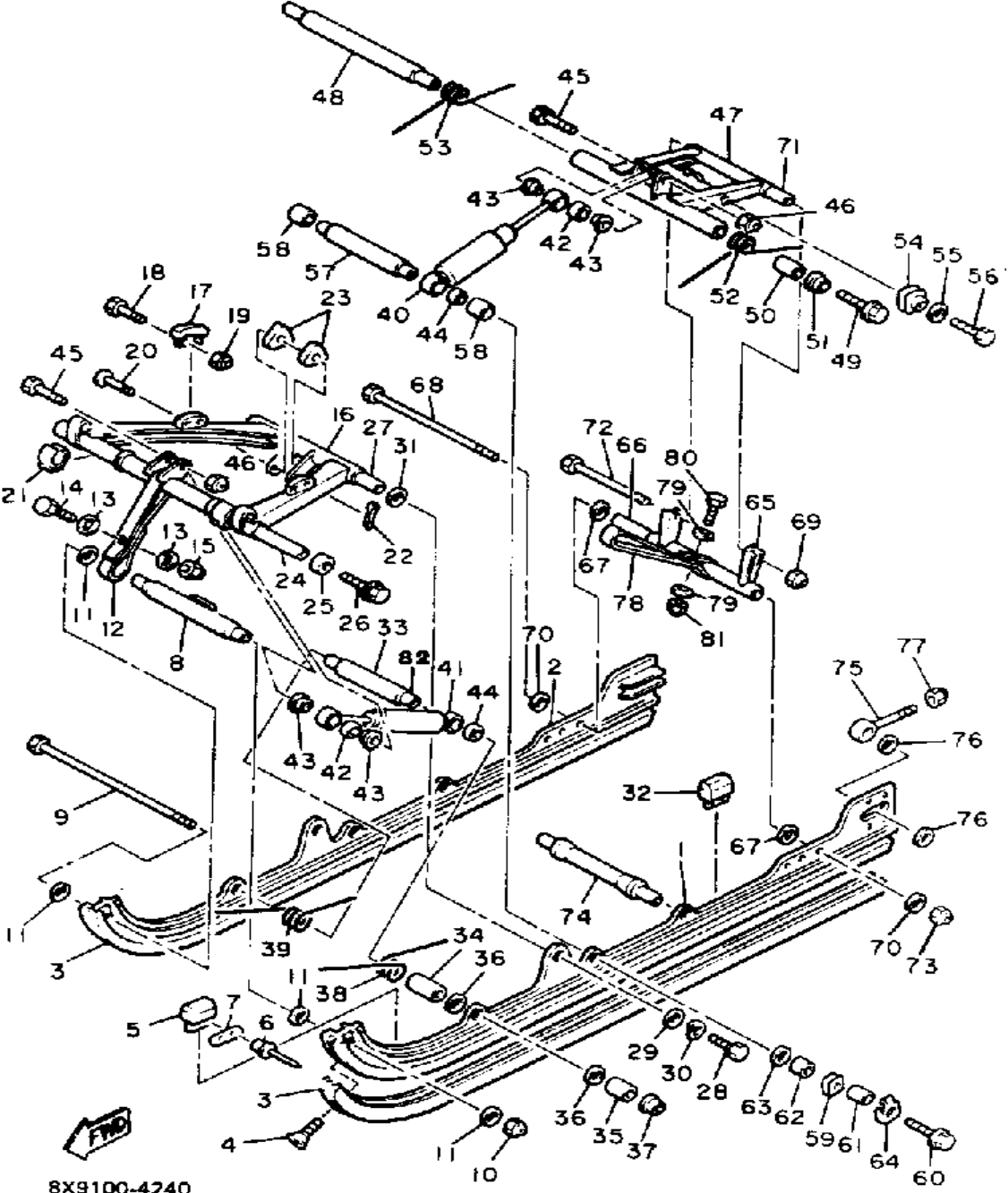
Ref. No.	Part Number	Description	Qty	Remarks
54	86S-47446-01-00	HOOK 1	2	
55	90201-06057-00	WASHER, PLATE	2	
56	97313-06016-00	BOLT, HEXAGON	2	
57	8V0-47486-00-00	SHAFT 4	1	
58	8V0-47338-00-00	COLLAR	2	
59	890-47447-00-00	HOOK 2	2	
60	95811-08055-00	BOLT, FLANGE	2	
61	90387-08262-00	COLLAR	2	
62	90387-12105-00	COLLAR	2	
63	92901-08600-00	WASHER	2	
64	8V0-47467-00-00	PLATE, GUIDE	2	
65	8V0-47417-00-00	BRACKET 3	1	
66	90387-08632-00	COLLAR	1	
67	90201-08649-00	WASHER, PLATE	2	
68	97022-08250-00	BOLT	1	
69	95712-08300-00	NUT, LOCK	1	
70	92901-08600-00	WASHER	2	
71	90387-084J9-00	COLLAR	1	
72	97022-08165-00	BOLT	1	
73	95712-08300-00	NUT, LOCK	1	
74	8V0-47488-00-00	SHAFT 6	1	
75	8K2-47479-01-00	COLLAR 3	2	
76	90201-20279-00	WASHER, PLATE	4	
77	95701-10300-00	NUT, FLANGE (95702-10300)	2	
78	8V0-47496-00-00	STOPPER 2	1	
79	90201-06407-00	WASHER, PLATE (90201-06747-00)	2	
80	97011-06025-00	BOLT (97001-06025)	1	
81	95701-06300-00	NUT, NYLON	1	

CONTINUED ON NEXT FRAME ►

Property of www.SmallEngineDiscount.com - Not for Resale

TRACK SUSPENSION 2

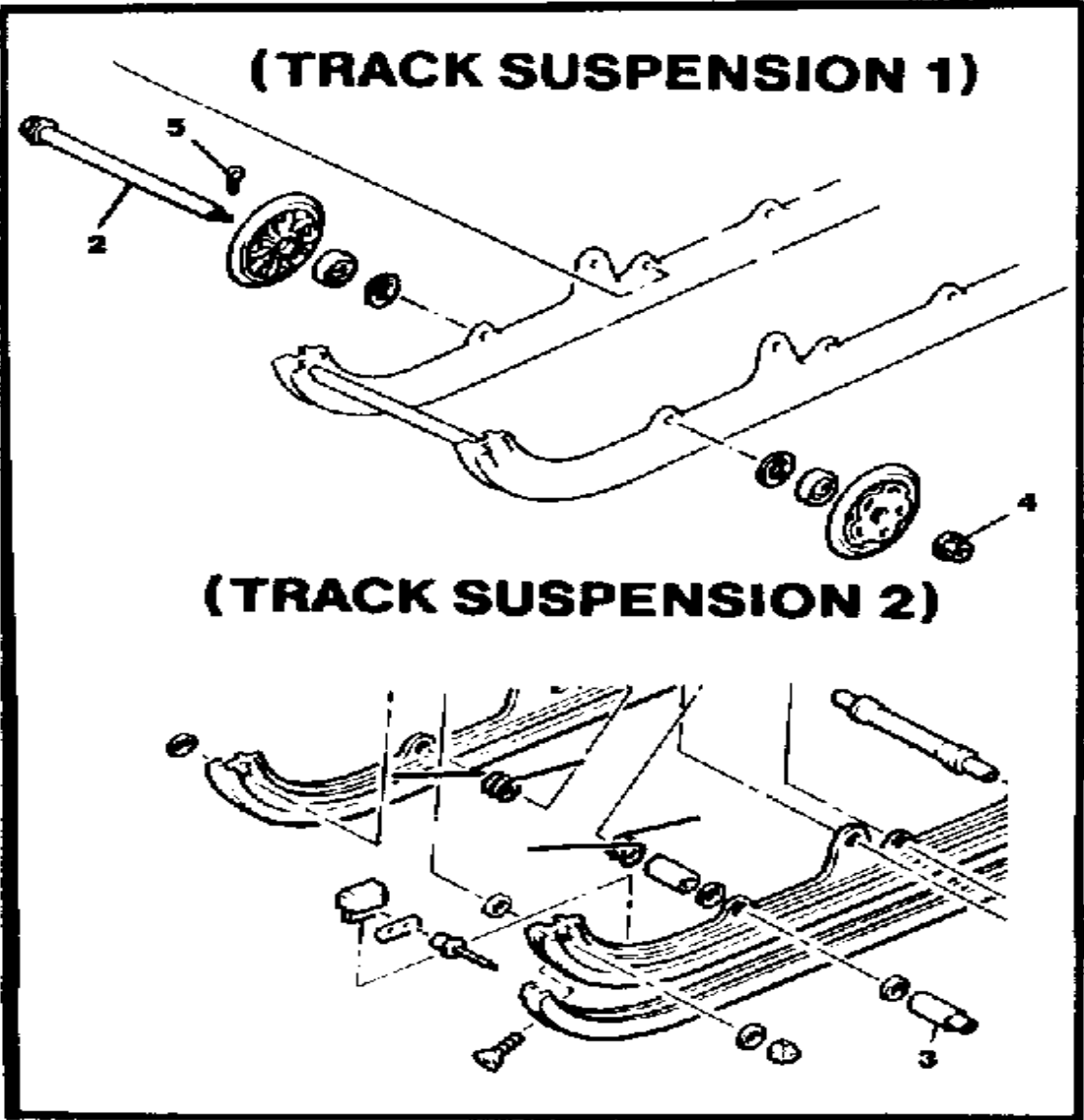
Ref. No.	Part Number	Description	Qty	Remarks
82	SE-ENOTE---	UNAVAILABLE IN PRICE BOOK	1	



8X9100-4240

Property of www.SmallEngineDiscount.com - Not for Resale

SHAFT - 5 SUSPENSION IMPROVEMENT

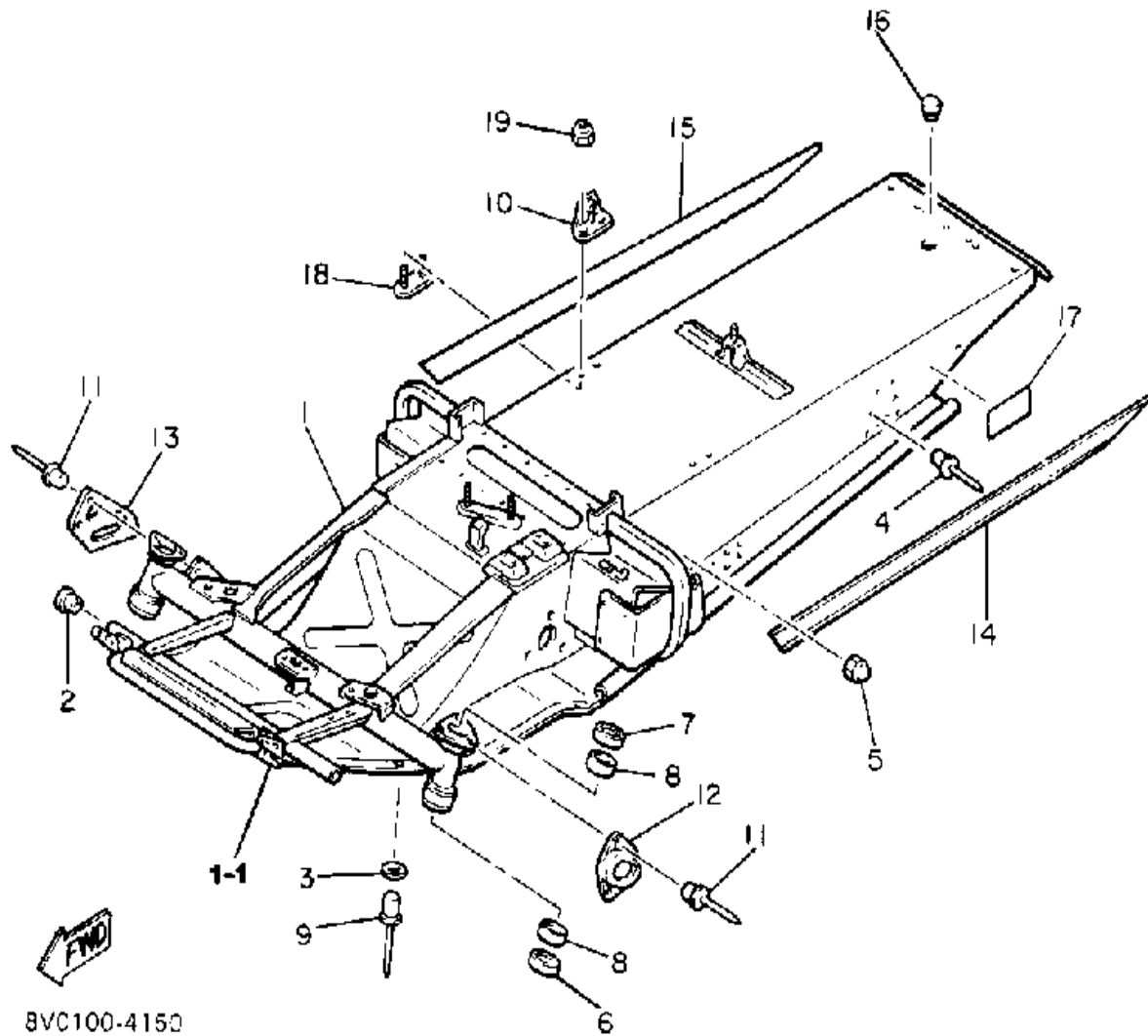


Ref. No.	Part Number	Description	Qty	Remarks
1	90891-50061-00	SHAFT 5 (80X-47487-00-00) ...	1	
2	SE-ENOTE---	. UNAVAILABLE IN PRICE BOOK	1	
3	90387-166M8-00	. COLLAR	2	
4	95601-14200-00	. NUT, U	1	
5	91401-30030-00	. PIN, COTTER	1	

IMPORTANT! READ TECHNICAL BULLETIN S85-002A FOR DETAILED INFORMATION!

Property of www.SmallEngineDiscount.com - Not for Resale

FRAME

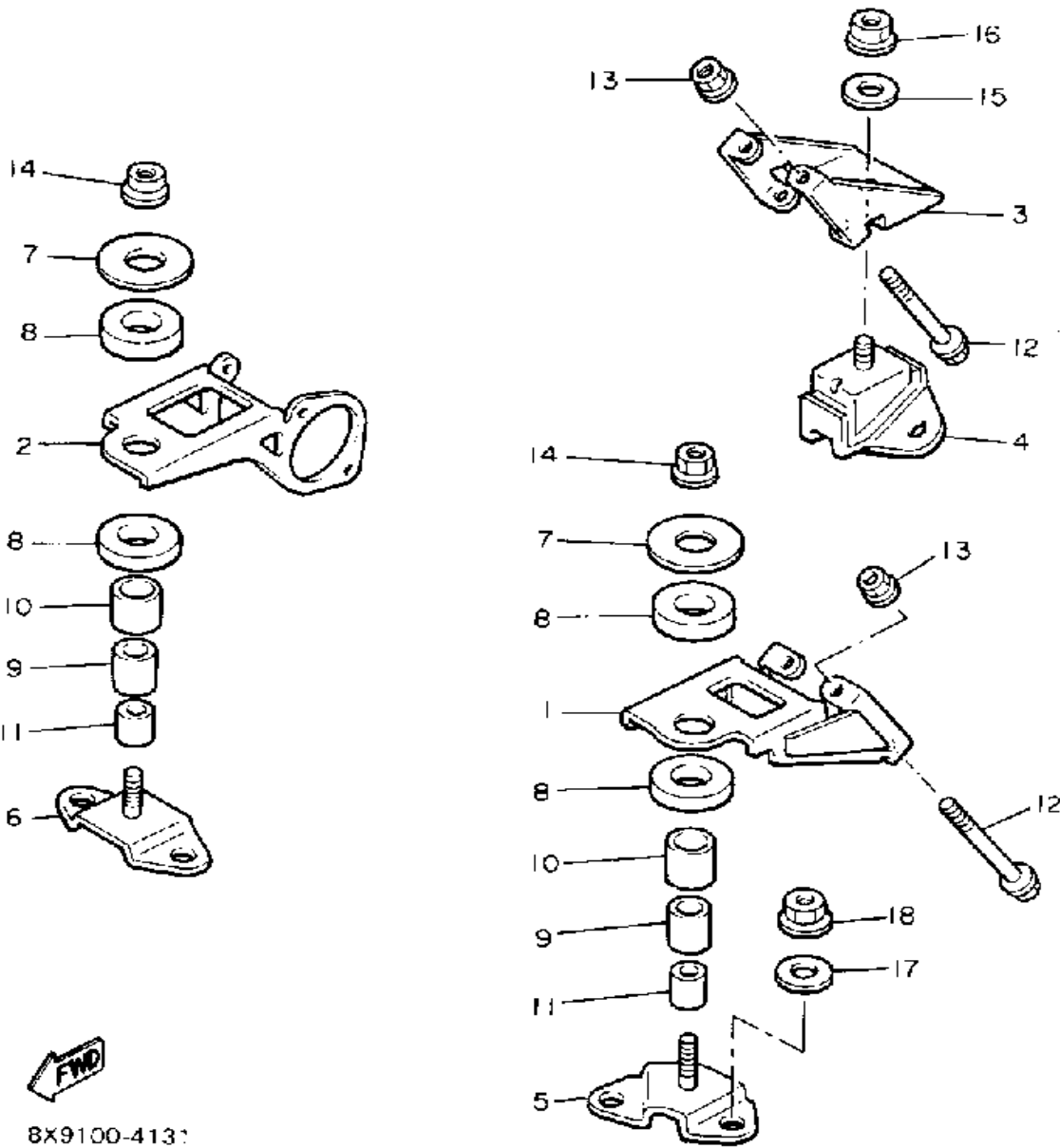


8VC100-4150

Ref. No.	Part Number	Description	Qty	Remarks
1	8X9-21910-00-00	FRAME	1	
2	90381-12047-00	BUSH, SOLID	2	
3	90201-04325-00	WASHER, PLATE	29	
4	90269-04019-00	RIVET	28	
5	95306-06800-00	NUT	4	
6	93103-44134-00	OIL SEAL	2	
7	93102-44280-00	OIL SEAL, SD-TYPE	2	
8	90384-44173-00	BUSH, BIMETAL FORMED	37	
10	8V0-21946-00-00	BRACKET, SEAT FITTING	5	
11	90269-04019-00	RIVET	5	
12	8V0-2198F-01-00	COVER 1	1	
13	8V0-2198G-01-00	COVER 2	1	
14	8X9-77351-00-00	EMBLEM 1	1	
15	8X9-77352-00-00	EMBLEM 2	1	
16	810-77716-00-00	ORNAMENT, INSTRUMENT PANEL 2	1	
17	8K2-77742-00-00	INDICATOR 2	1	
18	8V0-21966-00-00	PATCH 6	2	
19	95701-06300-00	NUT, NYLON	4	
1-1	8X9-21912-00-00	. BELLY PAN (80L-21912-00) ..	1	

Property of www.SmallEngineDiscount.com - Not for Resale

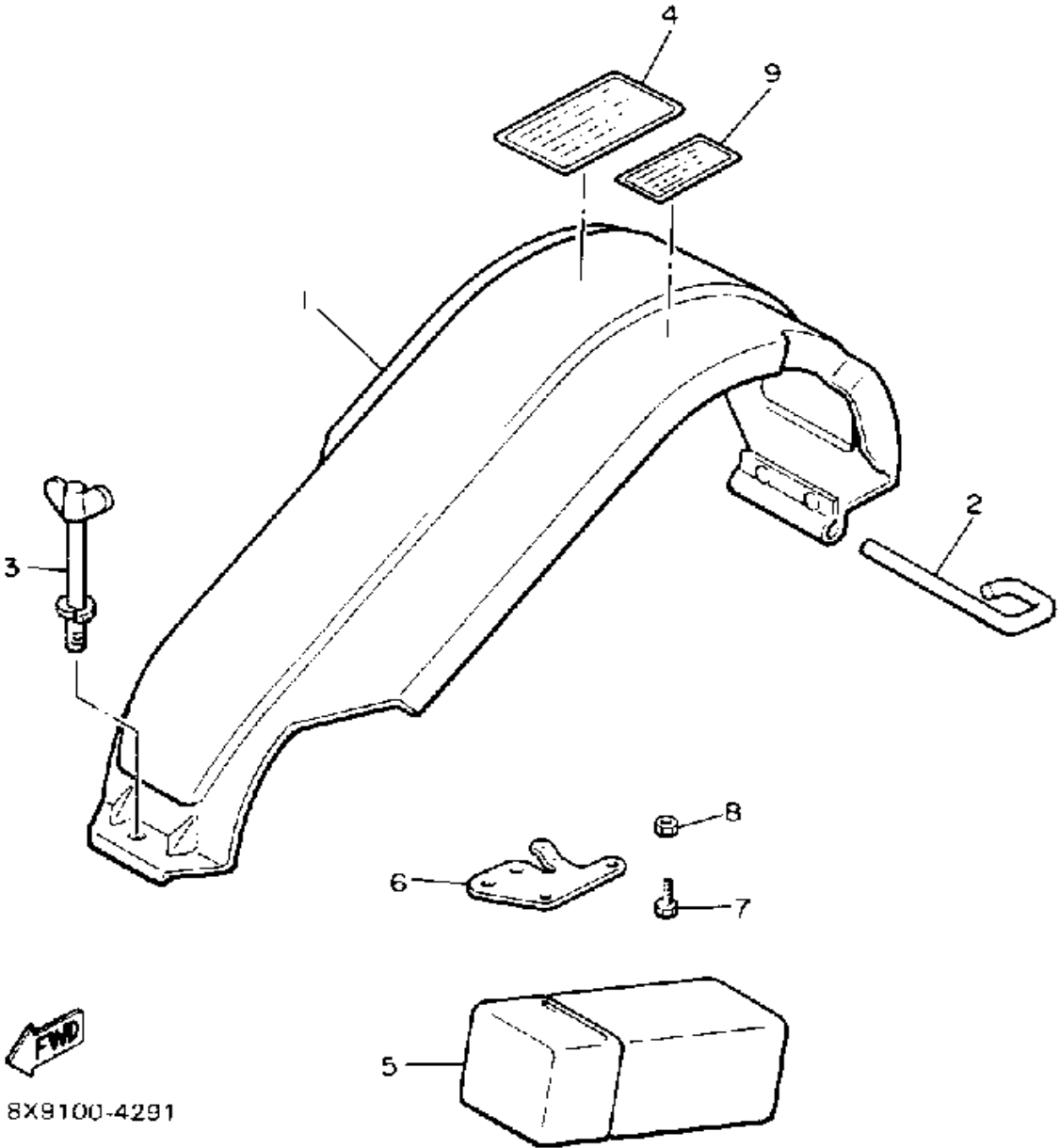
ENGINE BRACKET



Ref. No.	Part Number	Description	Qty	Remarks
1	8V0-21411-00-00	BRACKET, ENGINE 1	1	
2	8V0-21419-00-00	BRACKET, ENGINE 2	1	
3	8V0-21429-01-00	BRACKET, ENGINE 3	1	
4	8V0-21486-00-00	DAMPER 2	1	
5	8V0-21417-00-00	BRACKET, FRT LWR 1	1	
6	8V0-21418-00-00	BRACKET, FRT LWR 2	1	
7	90201-10151-00	WASHER, PLATE	2	
8	8V0-21485-00-00	DAMPER, RUBBER 1	4	
9	90385-15025-00	BUSH, SPEC'L RUBBER	2	
10	90387-21515-00	COLLAR	2	
11	90387-10514-00	COLLAR	2	
12	95811-08065-00	BOLT, FLANGE	4	
13	95701-08500-00	NUT, FLANGE	4	
14	95701-10500-00	NUT, FLANGE (95702-10500)	2	
15	90201-10321-00	WASHER, PLATE	1	
16	95701-10500-00	NUT, FLANGE (95702-10500)	1	
17	90201-087A9-00	WASHER, PLATE	4	
18	95701-08500-00	NUT, FLANGE	6	

Property of www.SmallEngineDiscount.com - Not for Resale

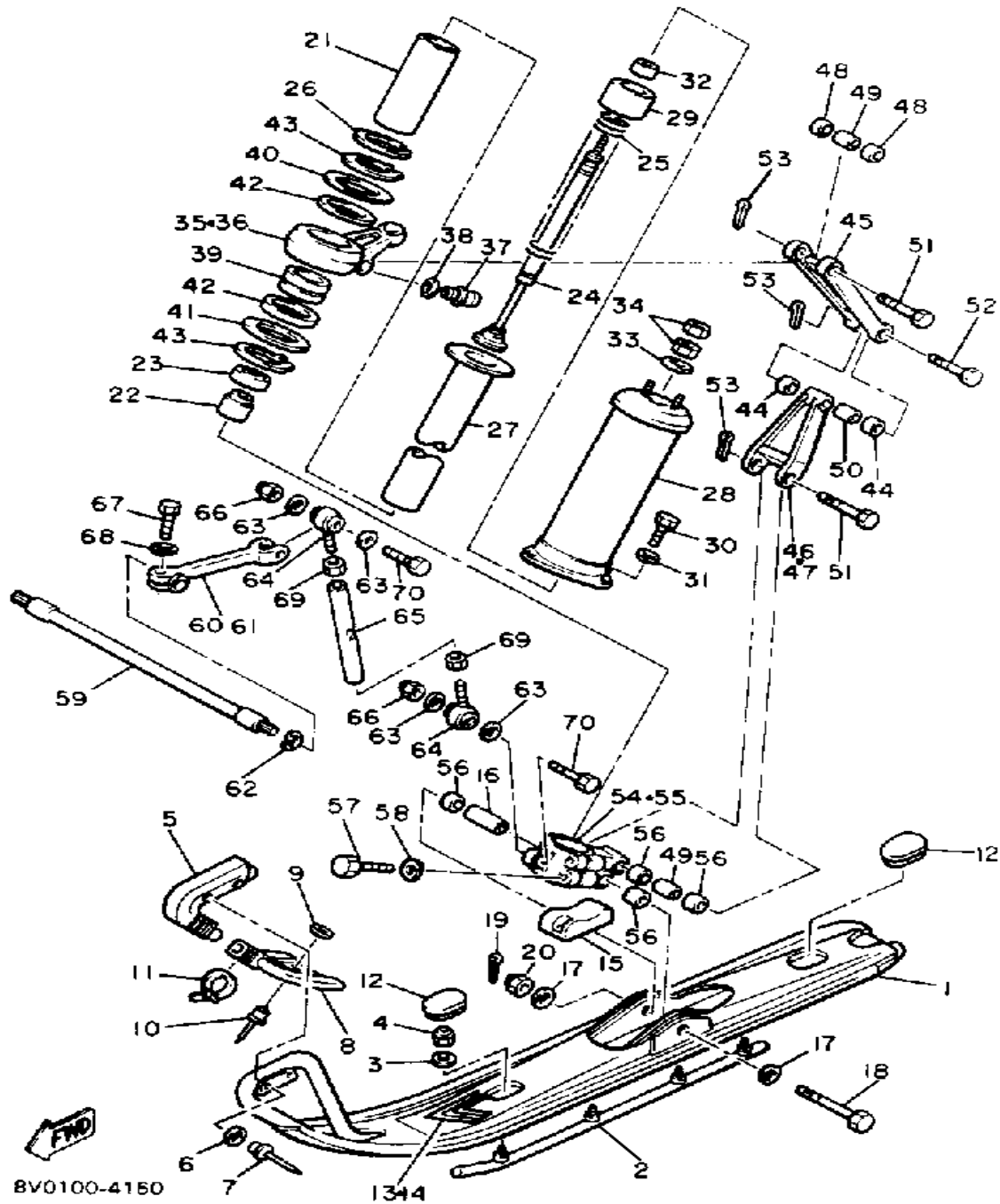
GUARD - LUGGAGE BOX



Ref. No.	Part Number	Description	Qty	Remarks
1	8V0-77311-00-00	GUARD, DRIVE	1	
2	86V-77384-00-00	PIN	1	
3	8V0-77387-00-00	SCREW	1	
4	8V0-77743-00-00	INDICATOR 3	1	
5	8V0-W2810-00-00	TOOL KIT	1	
6	8V0-21945-00-00	BRACKET, TOOL BOX FITTING	1	
7	ø90-10106-56-40	UNAVAILABLE IN PRICE BOOK	1	
8	95701-06300-00	NUT, NYLON	1	
9	898-77762-00-00	LABEL, WARNING 2	1	

Property of www.SmallEngineDiscount.com - Not for Resale

SKI

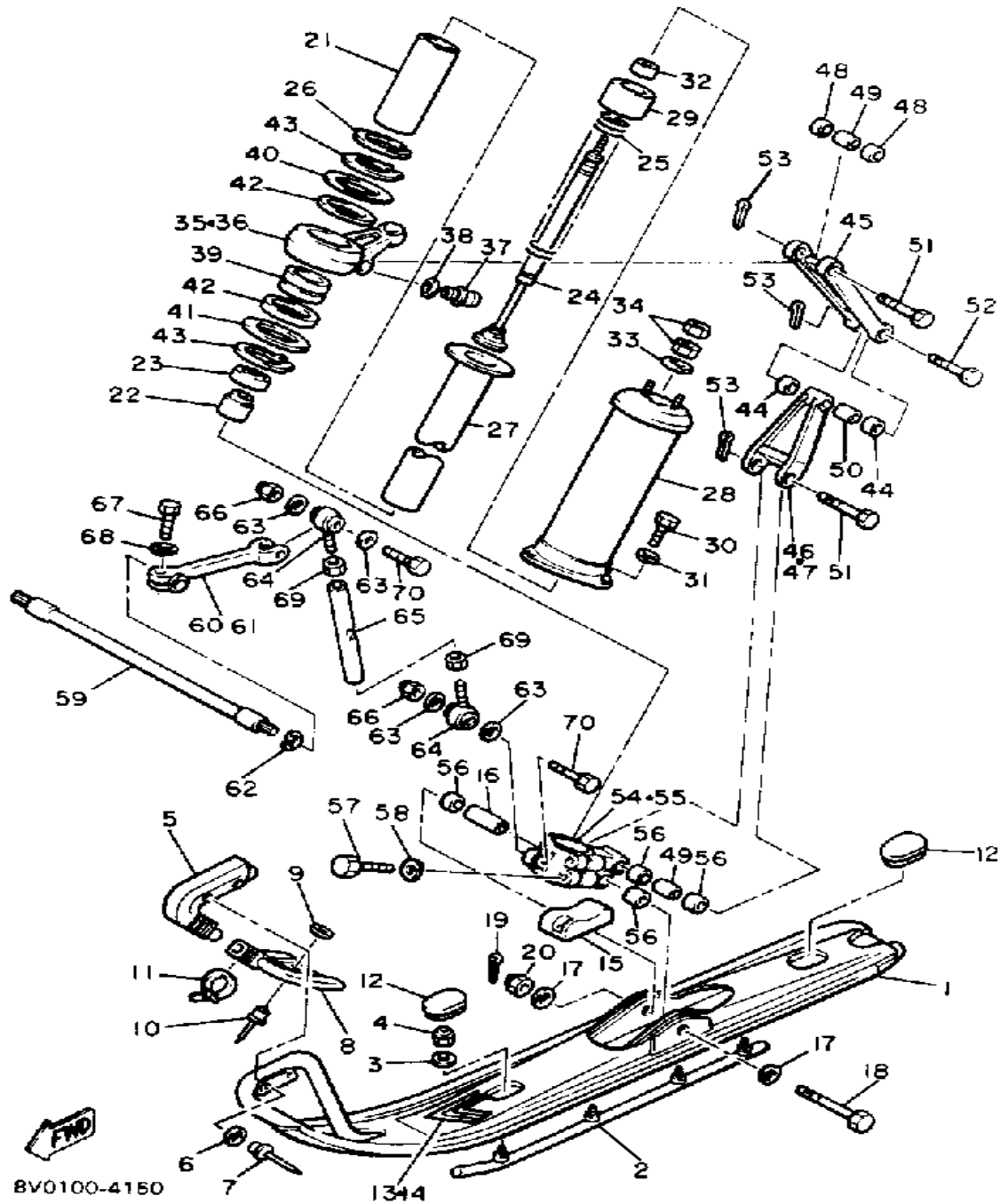


Ref. No.	Part Number	Description	Qty	Remarks
1	8V0-23710-02-00	SKI 1	2	
2	VMX-23731-01-XX	RUNNER 1 (8M6-23731-01-00)	2	
3	92901-08600-00	WASHER	8	
4	95611-08100-00	NUT, U	8	
5	8M6-23747-00-00	PROTECTOR, SKI	2	
6	90201-042E0-00	WASHER, PLATE	8	
7	90267-40029-00	RIVET, BLIND	8	
8	8V0-23748-00-00	PROTECTOR, SKI 2	2	
9	90201-042E0-00	WASHER, PLATE	2	
10	90267-40110-00	RIVET, BLIND	2	
11	90465-13169-00	CALMP	2	
12	8V0-23741-00-00	CAP 1	4	
13	8X9-77365-00-00	EMBLEM 0	1	
14	8X9-77366-00-00	EMBLEM 1	1	
15	8V0-23743-01-00	STOPPER 1	2	
16	90387-106J3-00	COLLAR	2	
17	92906-10600-00	WASHER	4	
18	90102-10050-00	BOLT, WITH HOLE	2	
19	91490-20020-00	PIN, COTTER	2	
20	95706-10300-00	NUT, NYLON	2	
21	8V0-2376R-00-00	PROTECTOR	2	
22	8V0-23768-00-00	SEAT, SPRING 1	2	
23	93399-99908-00	BEARING, SPECIAL	2	
24	80L-2376A-00-00	ABSORBER ASSEMBLY (8V0-2376A-00)	2	
25	90501-60718-00	SPRING, COMPRESSION	2	
26	8V0-22494-00-00	STOP, REBOUND	2	
27	8V0-22471-00-00	CYLINDER, SHOCK ABSORBER	2	

CONTINUED ON NEXT FRAME ►

Property of www.SmallEngineDiscount.com - Not for Resale

SKI

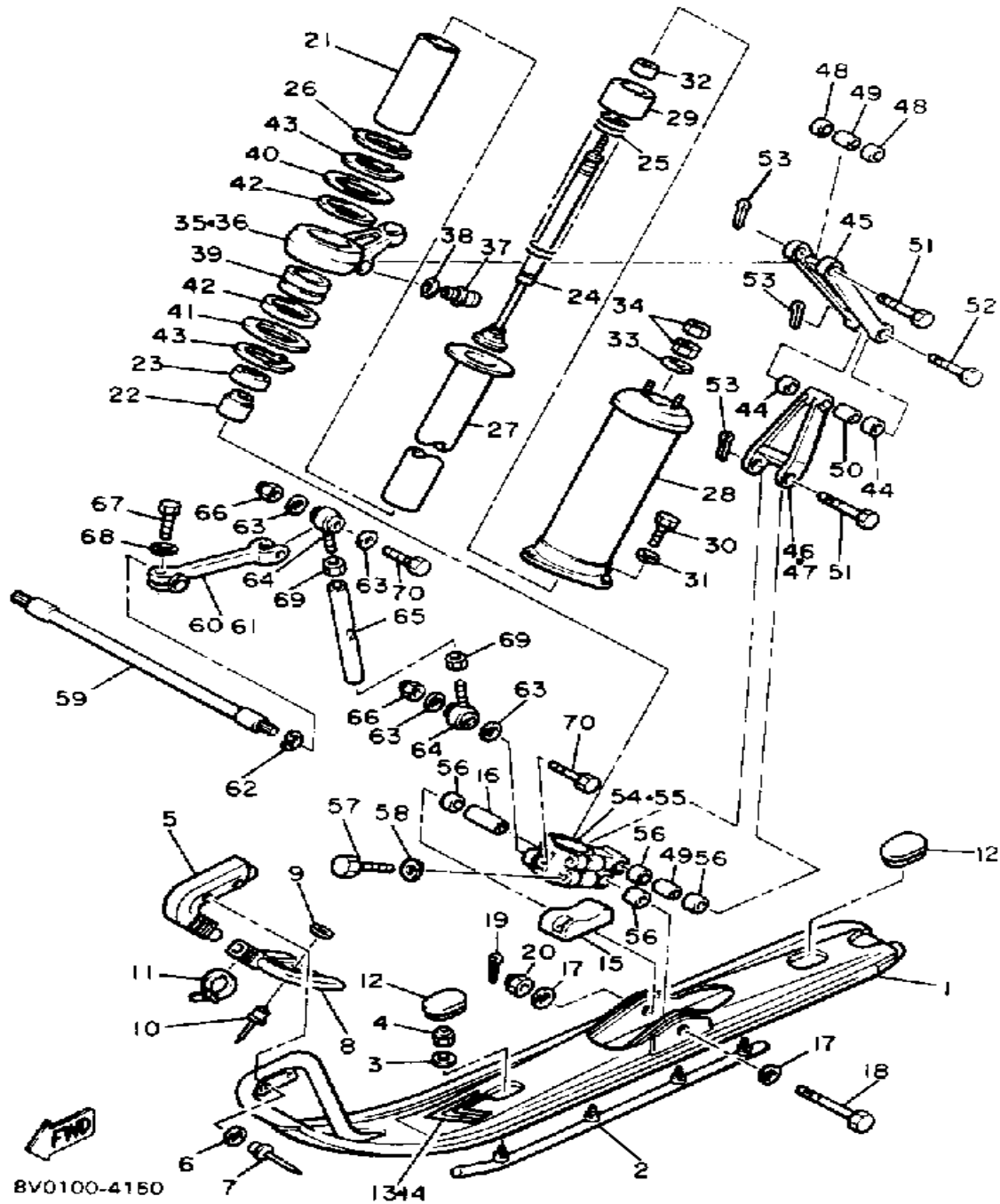


Ref. No.	Part Number	Description	Qty	Remarks
28	8V0-2376J-00-00	HOLDER, ABSORBER	2	
29	8V0-22493-00-00	BUMP, STOP	2	
30	97016-06020-00	BOLT	6	
31	92906-06100-00	WASHER, SPRING	6	
32	8V0-2386J-00-00	CUSHION	2	
33	92990-08200-00	WASHER, PLAIN	2	
34	95303-08700-00	NUT	4	
35	8V0-23851-01-00	ARM, OUTSIDE 1	1	
36	8V0-23852-01-00	ARM, OUTSIDE 2	1	
37	93700-06M03-00	NIPPLE, GREASE	2	
38	90201-067F9-00	WASHER, PLATE	2	
39	90384-63188-00	BUSH, BIMETAL FORMED	2	
40	90201-637F3-00	WASHER, PLATE	1	
41	90201-635H7-00	WASHER, PLATE	1	
42	93109-63044-00	OIL SEAL	4	
43	93410-63066-00	CIRCLIP	4	
44	90384-14091-00	BUSH, BIMETAL FORMED	4	
45	8V0-2382E-01-00	ARM, FRONT 1	2	
46	8V0-2382F-02-00	ARM, FRONT 2 (L, H)	1	
47	8V0-2383F-02-00	ARM, FRONT4 (R, H)	1	
48	90384-14096-00	BUSH, BIMETAL FORMED	4	
49	90387-101Y9-00	COLLAR	4	
50	90387-100A4-00	COLLAR	2	
51	90102-10054-00	BOLT, WITH HOLE	4	
52	90102-10055-00	BOLT, WITH HOLE	2	
53	91490-20020-00	PIN, COTTER	6	
54	8V0-2376E-01-00	BRACKET, 1	1	
55	8V0-2377E-01-00	BRACKET 2	1	
56	90384-14091-00	BUSH, BIMETAL FORMED	8	

CONTINUED ON NEXT FRAME ►

Property of www.SmallEngineDiscount.com - Not for Resale

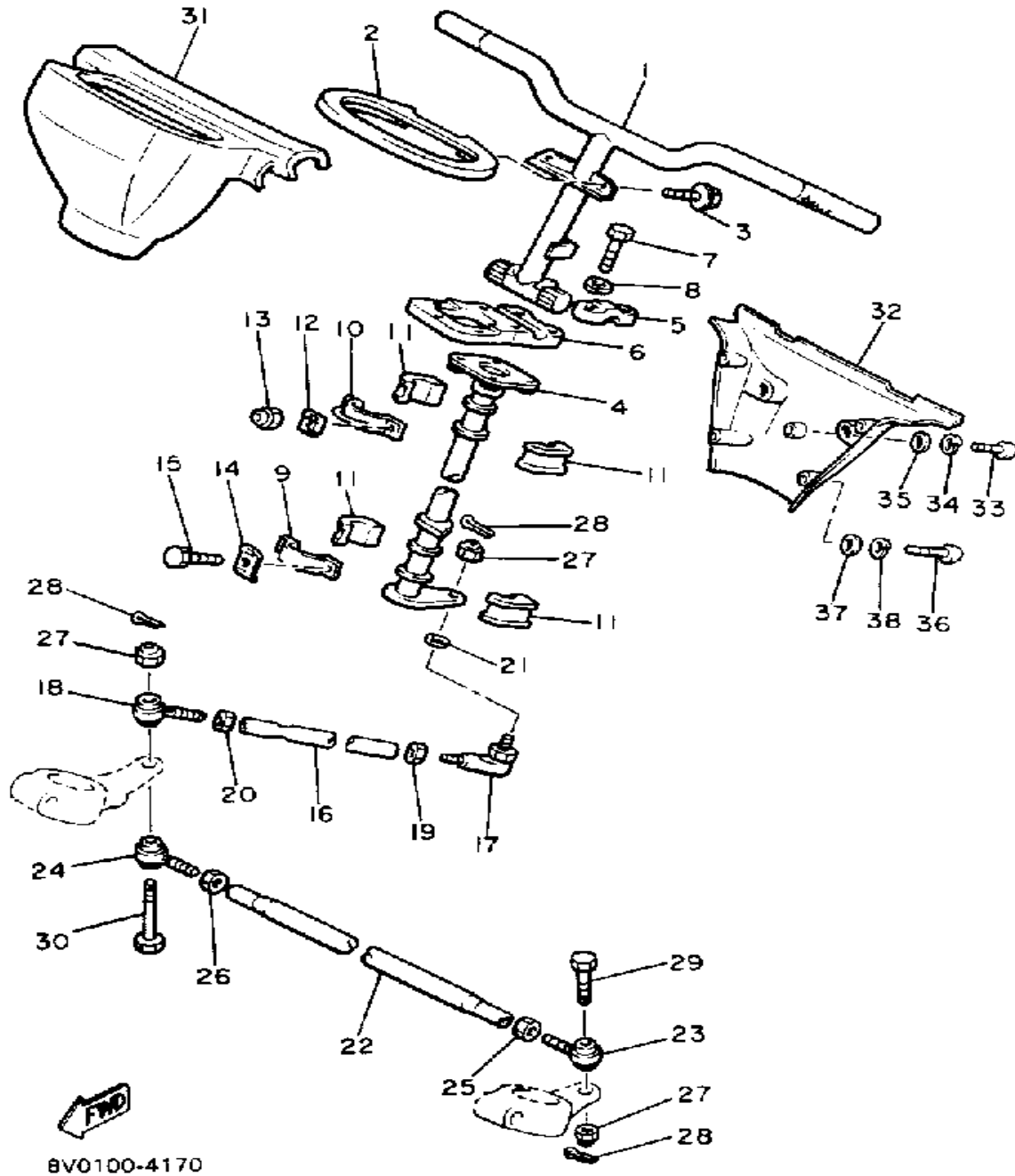
SKI



Ref. No.	Part Number	Description	Qty	Remarks
57	97026-08035-00	BOLT (TJ)	4	
58	92906-08100-00	WASHER, SPRING	4	
59	8V0-2386E-01-00	BAR, STABLZR FRONT	1	
60	8V0-2386L-01-00	ARM, STABILIZER 1	1	
61	8V0-2386M-01-00	ARM, STABILIZER 2	1	
62	90206-12052-00	WASHER, WAVE	2	
63	90201-08624-00	WASHER, PLATE	8	
64	J45-23841-00-00	JOINT UNIVERSAL 1 (8V0-23841-02)	4	
65	8V0-2386F-01-00	LINK, STABLZR FRONT	2	
66	95616-08100-00	NUT, U	4	
67	97016-06025-00	BOLT	2	
68	92906-06100-00	WASHER, SPRING	2	
69	95316-08700-00	NUT (2GV)	4	
70	97026-08035-00	BOLT (TJ)	4	

Property of www.SmallEngineDiscount.com - Not for Resale

STEERING

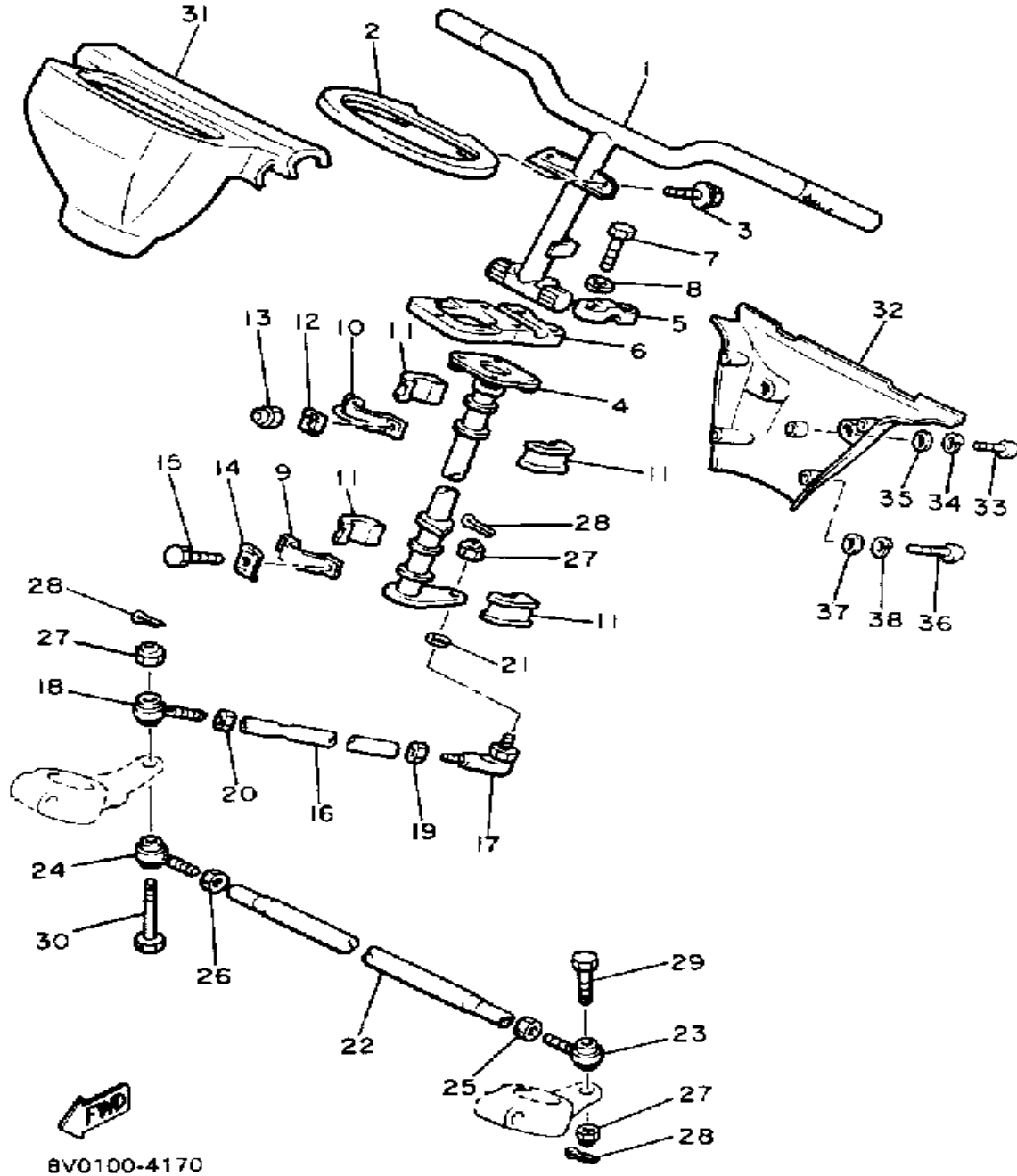


Ref. No.	Part Number	Description	Qty	Remarks
1	81J-23811-00-00	COLUMN, STEERING	1	
2	8V0-23878-00-00	BRACKET 0	1	
3	95811-06010-00	BOLT, FLANGE	2	
4	8V0-23813-00-00	COLUMN, STEERING 2	1	
5	1E6-23441-00-00	HOLDER, HANDLE UPR	2	
6	8V0-23814-01-00	HOLDER, HANDLE UPPER	1	
7	97321-08055-00	BOLT, HEXAGON	4	
8	92990-08100-00	WASHER	4	
9	84M-23868-00-00	BRACKET, STEERING LOWER	1	
10	84M-23872-00-00	HOLDER, BEARING	1	
11	8F3-23812-00-00	PLANE BEARING, STEERING	4	
12	90215-08262-00	WASHER, LOCK	2	
13	95712-08300-00	NUT, LOCK	2	
14	90215-08262-00	WASHER, LOCK	2	
15	97313-08016-00	BOLT, HEXAGON	2	
16	8V0-23821-01-00	ROD, STEERING RELAY	1	
17	86X-23841-00-00	JOINT, UNIVERSAL 1	1	
18	87S-23847-00-00	JOINT, UNIVERSAL 3	1	
19	95303-10700-00	NUT	1	
20	90170-10186-00	NUT	1	
21	90201-08759-00	WASHER, PLATE	1	
22	8V0-23831-01-00	ROD, TIE	1	
23	87S-23845-00-00	JOINT, UNIVERSAL 2	1	
24	87S-23847-00-00	JOINT, UNIVERSAL 3	1	
25	95303-10700-00	NUT	1	
26	90170-10186-00	NUT	1	
27	95706-10300-00	NUT, NYLON	3	
28	91490-20020-00	PIN, COTTER	3	
29	90102-10031-00	BOLT, WITH HOLE	1	

CONTINUED ON NEXT FRAME ➤

Property of www.SmallEngineDiscount.com - Not for Resale

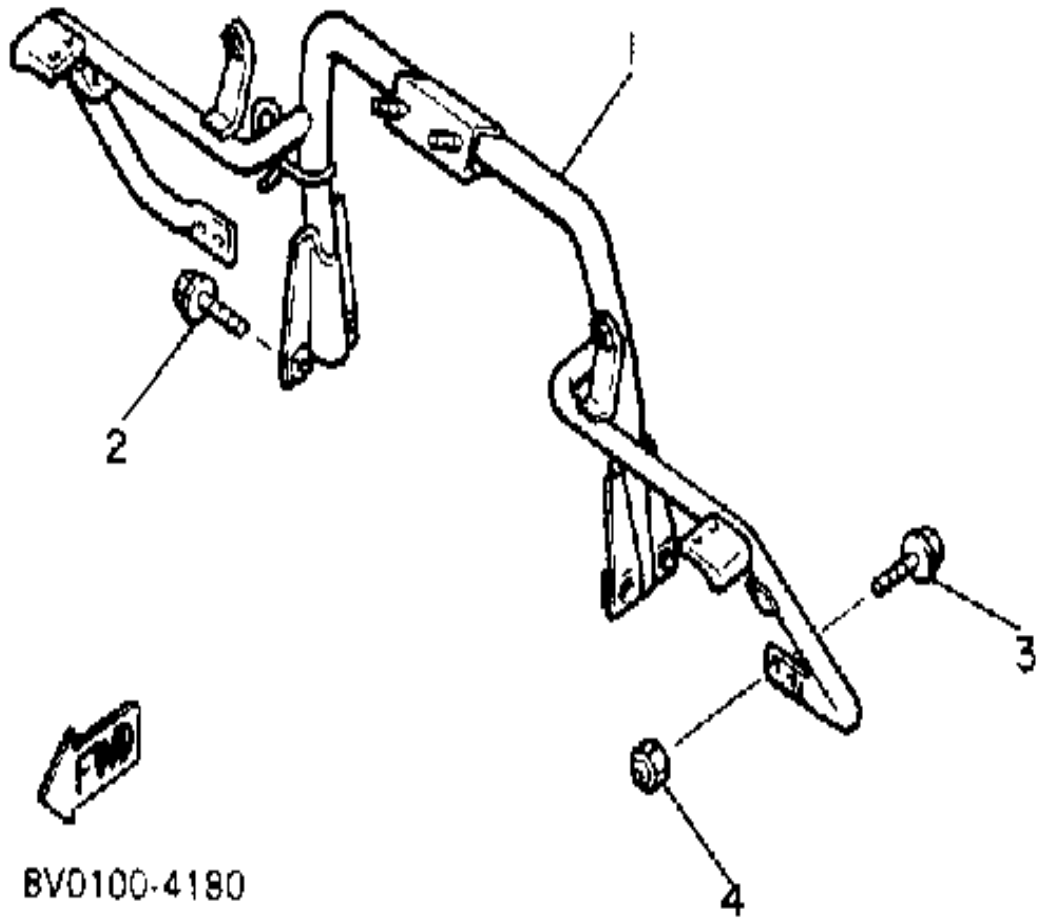
STEERING



Ref. No.	Part Number	Description	Qty	Remarks
31	8X9-23815-00-00	PAD, STEERING	1	
	90109-10767-00	BOLT	1	
32	8X9-23817-00-00	PAD, STEERING	1	
33	98506-05010-00	SCREW, PAN HEAD	1	
34	92906-05100-00	WASHER, SPRING	1	
35	92906-05200-00	WASHER, PLAIN	1	
36	98506-05030-00	SCREW, PAN HEAD	4	
37	92906-05100-00	WASHER, SPRING	4	
38	92906-05600-00	WASHER, PLATE	4	

Property of www.SmallEngineDiscount.com - Not for Resale

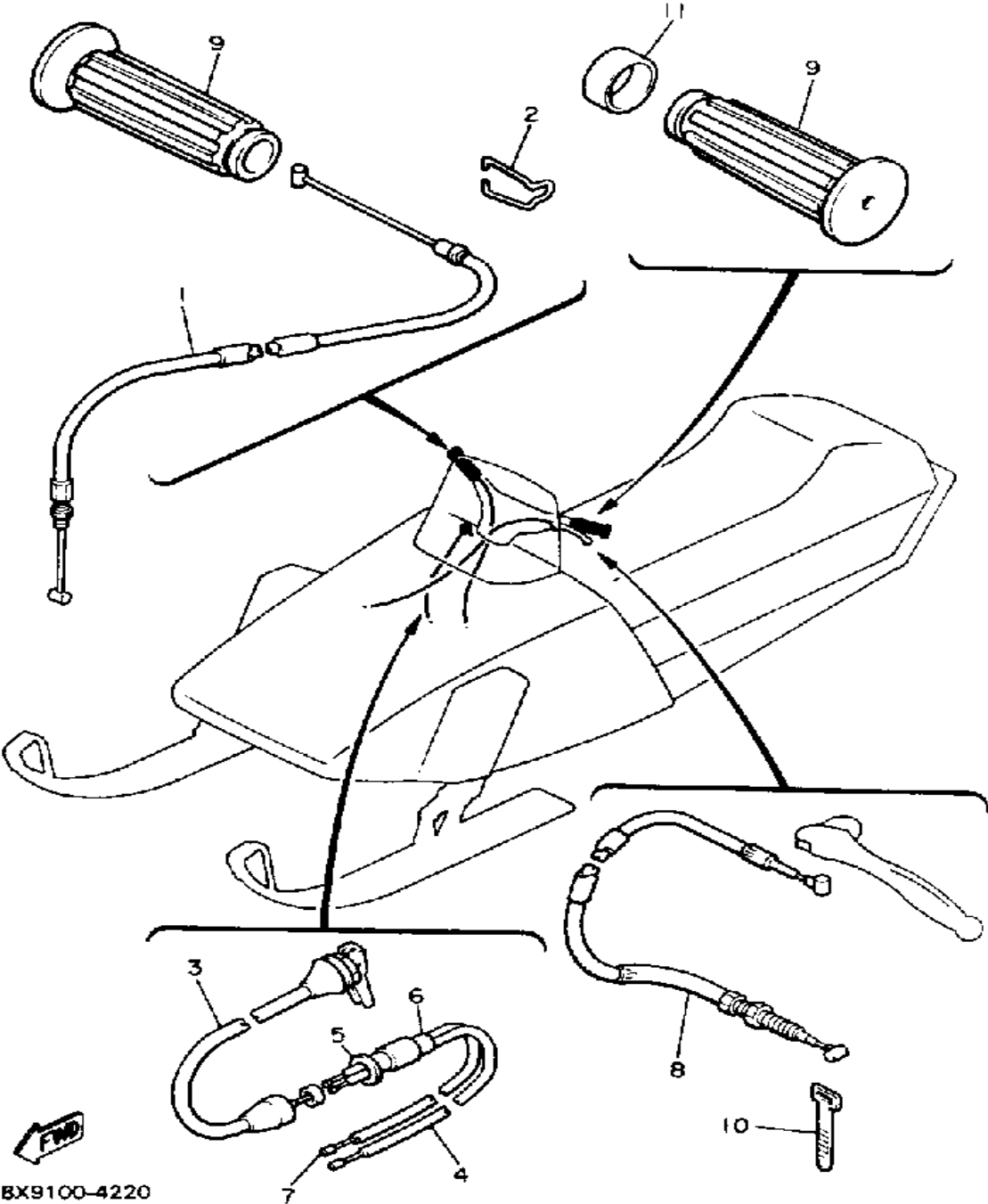
STEERING GATE



Ref. No.	Part Number	Description	Qty	Remarks
1	83V-23870-00-00	STEERING GATE COMP (8V0-23870-00)	1	
2	(95826-08012-00)	BOLT, FLANGE	4	
3	95811-06030-00	BOLT, FLANGE	4	
4	95701-06300-00	NUT, NYLON	4	

Property of www.SmallEngineDiscount.com - Not for Resale

CONTROL - CABLE

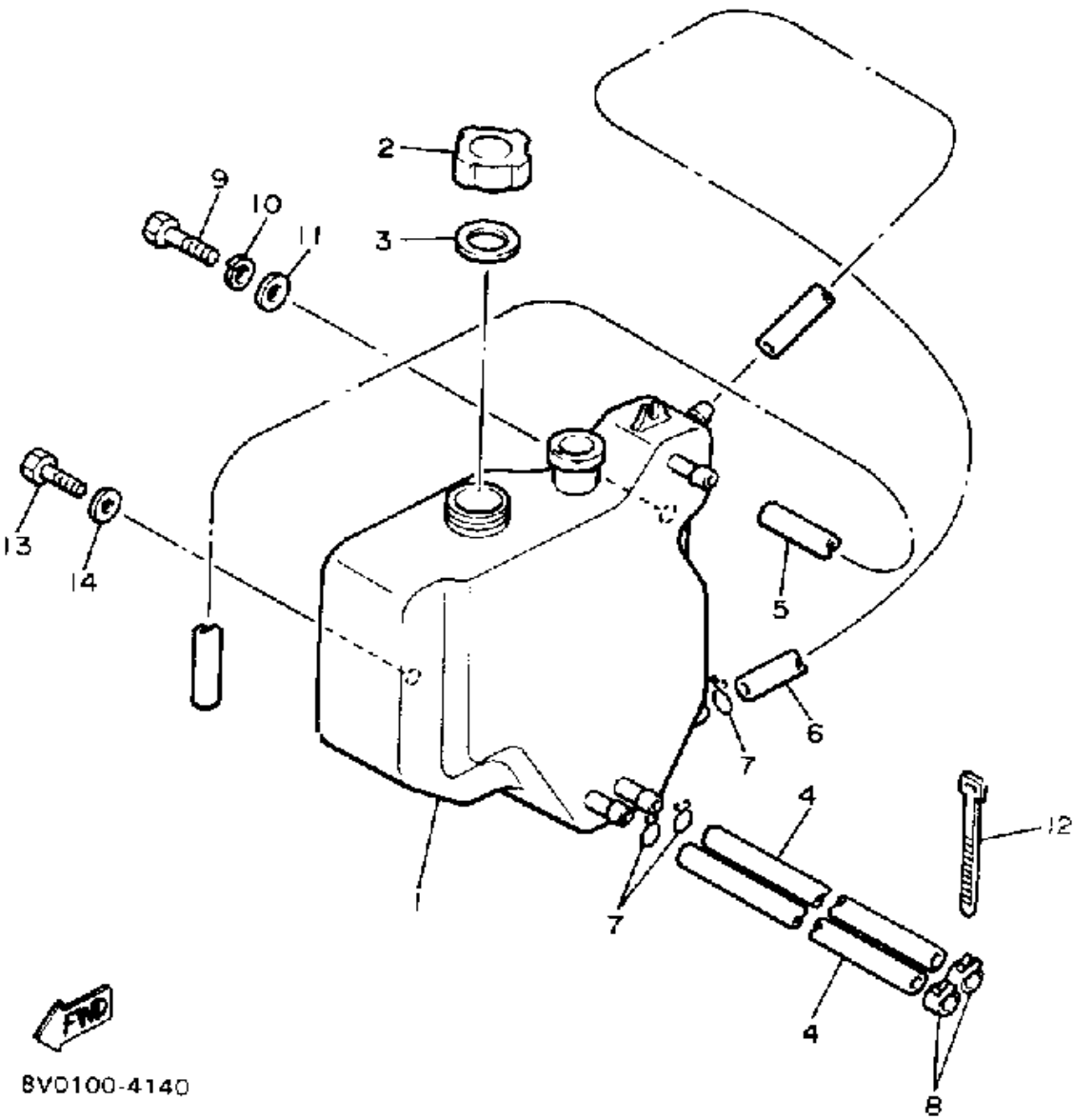


BX9100-4220

Ref. No.	Part Number	Description	Qty	Remarks
1	85F-26311-00-00	CABLE, THROTTLE 1	1	
2	90465-10189-00	CLAMP	1	
3	8V0-26331-00-00	CABLE, STARTER 1	1	
4	8M6-26334-00-00	CABLE, STARTER 2	1	
5	4U1-26261-00-00	CONNECTOR, CABLE	1	
6	5L6-26272-00-00	CAP	1	
7	8V0-26334-00-00	CABLE, STARTER 2	1	
8	8V0-26340-00-00	CABLE, BRAKE	1	
9	8X9-2626A-00-00	GRIP WARMER ASSEMBLY	2	
10	437-83936-01-00	BAND, SWITCH CORD	2	
11	90387-086J4-00	COLLAR	1	

Property of www.SmallEngineDiscount.com - Not for Resale

OIL TANK

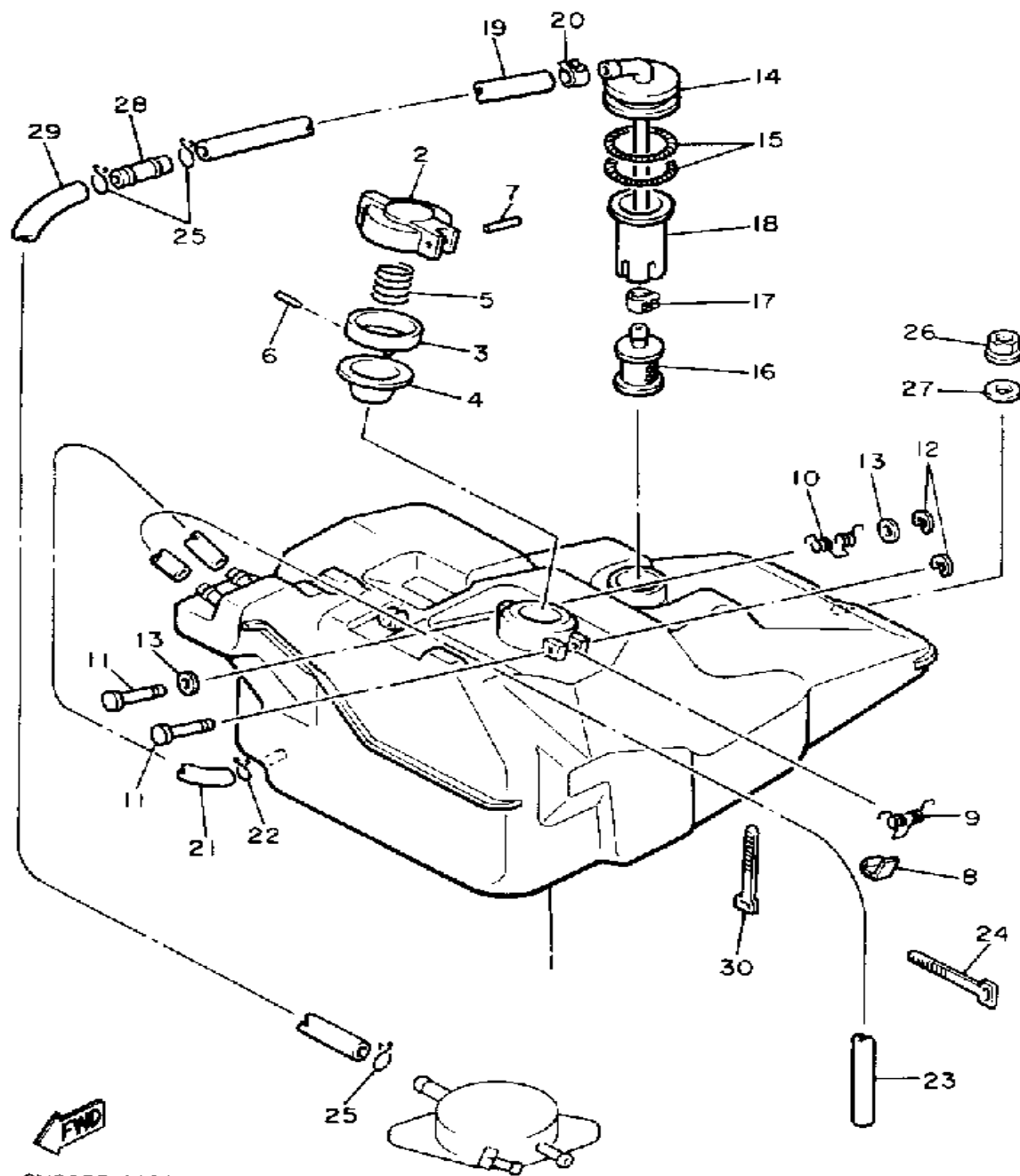


BVD100-4140

Ref. No.	Part Number	Description	Qty	Remarks
1	8V0-21751-02-00	TANK, OIL	1	
2	863-21771-00-00	BODY, CAP	1	
3	90430-31003-00	GASKET	1	
4	91A20-05036-00	TUBE, FLEXIBLE	2	
5	90446-09015-00	HOSE	1	
6	90446-09224-00	HOSE	1	
7	90467-09005-00	CLIP, SCISSOR	3	
8	90467-09026-00	CLIP	2	
9	97011-06010-00	BOLT	1	
10	92995-06100-00	WASHER, SPRING	1	
11	92990-06200-00	WASHER	1	
12	437-83936-01-00	BAND, SWITCH CORD	1	
13	97013-06012-00	BOLT	1	
14	90201-06067-00	WASHER, PLATE	1	

Property of www.SmallEngineDiscount.com - Not for Resale

FUEL TANK



8V0100-4190

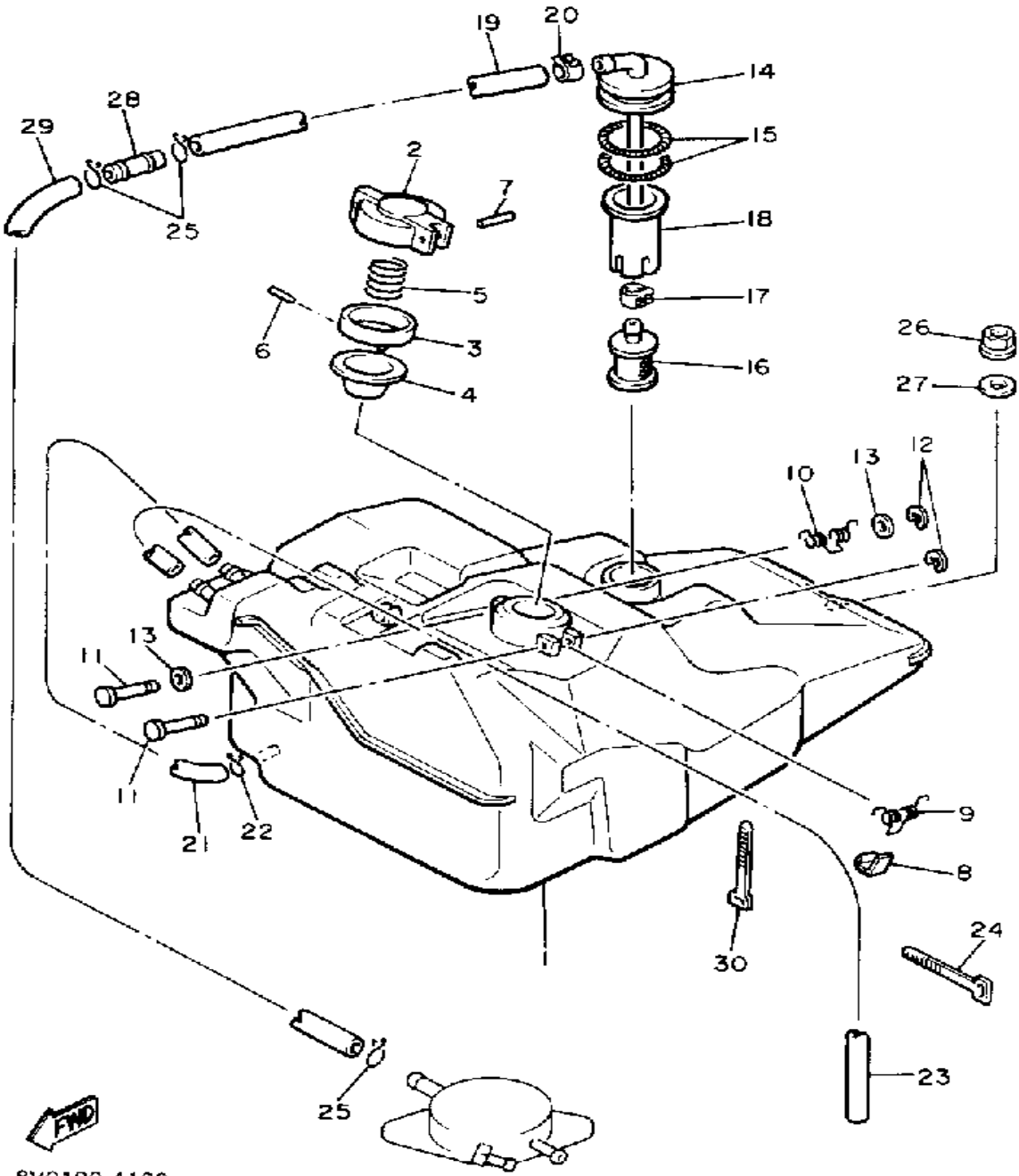
Ref. No.	Part Number	Description	Qty	Remarks
1	8V0-24111-03-00	TANK, FUEL	1	
2	813-24611-01-00	BODY, CAP	1	
3	813-24613-01-00	DISC, CAP	1	
4	8F7-24641-00-00	GASKET, CAP 1	1	
5	90501-20130-00	SPRING, COMPRESSION	1	
6	91609-30016-00	PIN, SPRING	1	
7	91609-25032-00	PIN, SPRING	1	
8	83M-24628-00-00	HOOK	1	
9	90508-10715-00	SPRING, TORSION	1	
10	90508-08353-00	SPRING, TORSION	1	
11	90249-03017-00	PIN	2	
12	93430-02001-00	CIRCLIP	2	
13	90201-03313-00	WASHER, PLATE	2	
14	86M-24335-00-00	PIPE, SUCTION 1	1	
15	90506-06065-00	SPRING, TENSION	2	
16	8H5-24560-00-00	FILTER ASSEMBLY	1	
17	90467-11028-00	CLIP	1	
18	8V0-24336-00-00	PIPE, SUCTION 2	1	
19	90446-11032-00	HOSE (815-24312-00)	1	
20	90467-11028-00	CLIP	1	
21	90446-09013-00	HOSE (90446-09079)	1	
22	90467-09005-00	CLIP, SCISSOR	1	
23	90446-09155-00	HOSE	1	
24	341-26397-01-00	BAND	4	
25	90467-11009-00	CLIP	3	
26	95712-08300-00	NUT, LOCK	1	
27	90201-08784-00	WASHER, PLATE	1	
28	878-24379-00-00	PIPE, JOINT 4	1	
29	90446-11020-00	HOSE	1	

CONTINUED ON NEXT FRAME ➤

Property of www.SmallEngineDiscount.com - Not for Resale

FUEL TANK

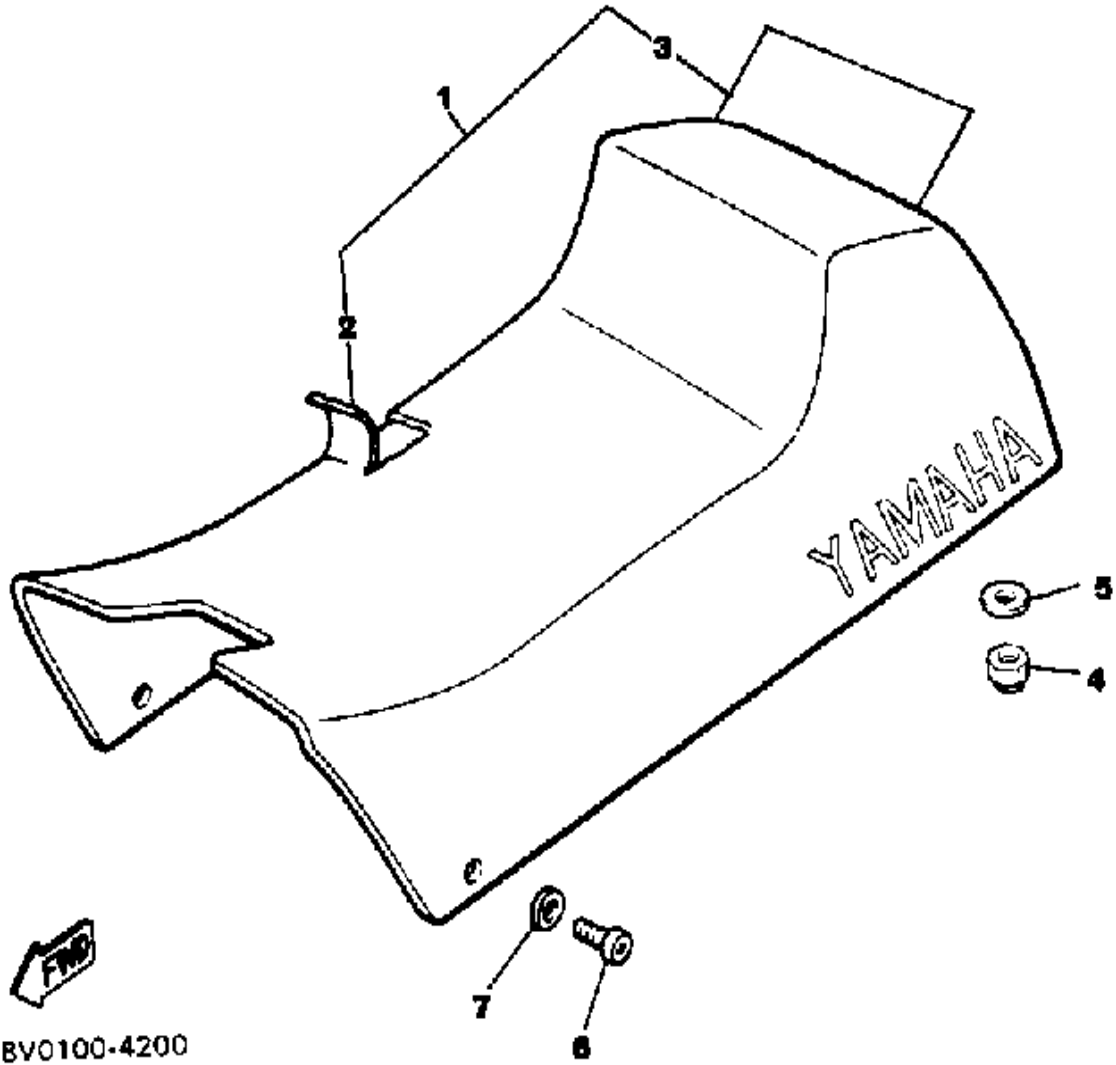
Ref. No.	Part Number	Description	Qty	Remarks
30	437-83936-01-00	BAND, SWITCH CORD	1	



BV0100-4190

Property of www.SmallEngineDiscount.com - Not for Resale

SEAT

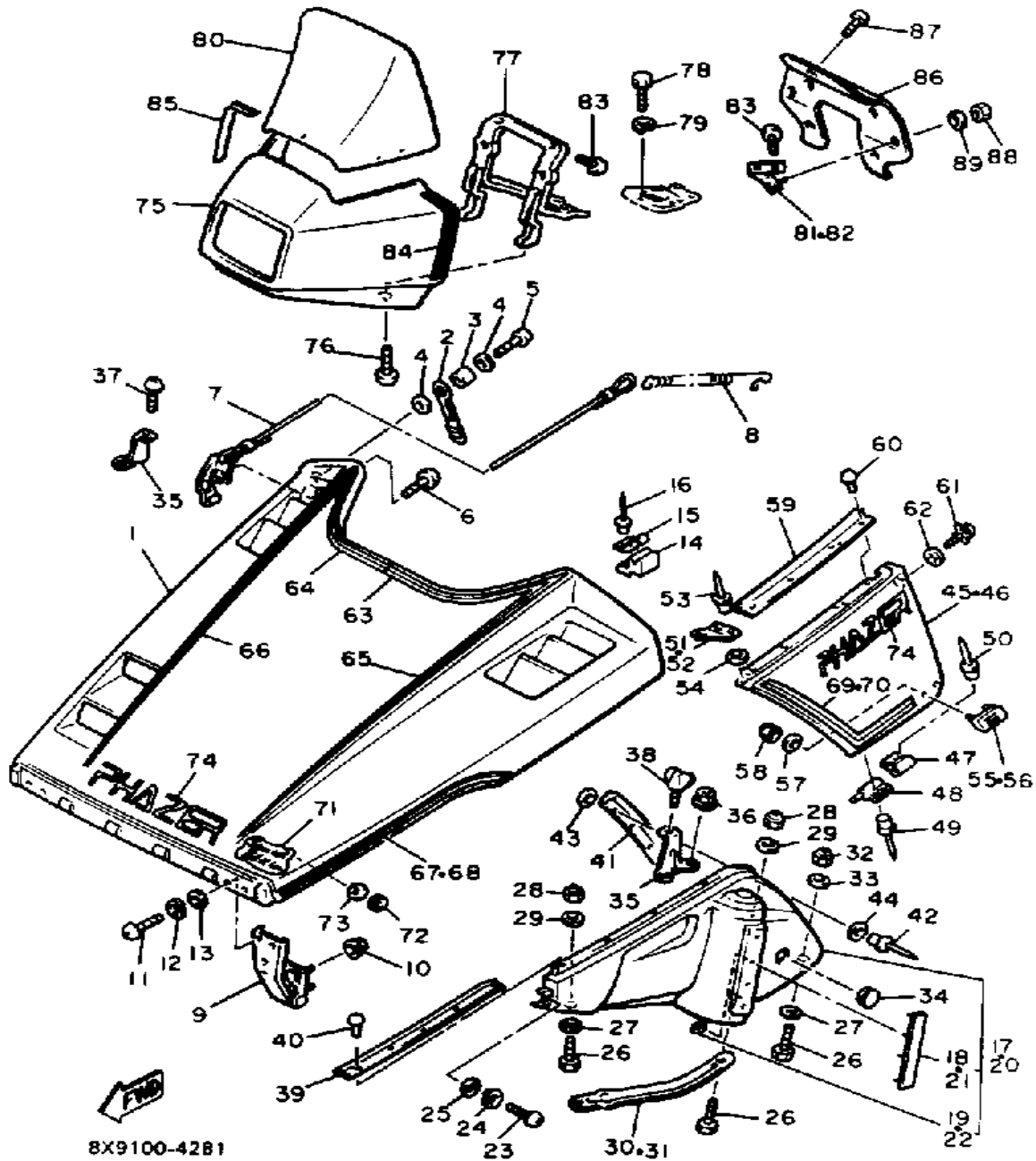


BV0100-4200

Ref. No.	Part Number	Description	Qty	Remarks
1	82K-24710-00-00	SINGLE SEAT ASSEMBLY	1	
2	83V-24711-00-00	. COVER, SINGLE SEAT (8X9-24711-00)	1	
3	8X9-77377-01-00	. COVER, LUGGE BOX 2 (8X9-77377-00)	1	
4	95712-08300-00	NUT, LOCK	2	
5	90201-08748-00	WASHER, PLATE	2	
6	98906-06016-00	SCREW, BIND	2	
7	90201-063J2-00	WASHER, PLATE	2	

Property of www.SmallEngineDiscount.com - Not for Resale

SHROUD - WINDSHIELD

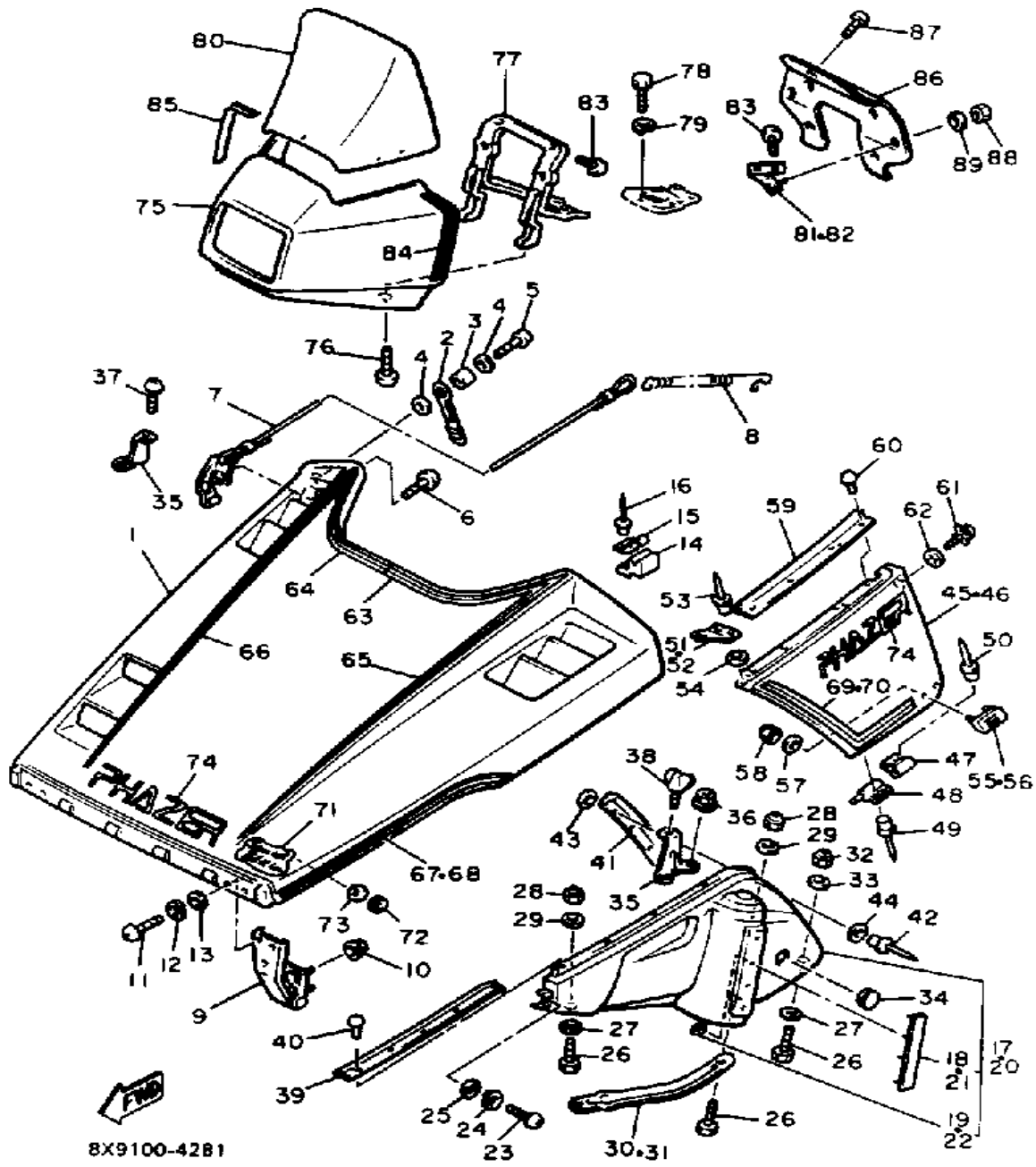


Ref. No.	Part Number	Description	Qty	Remarks
1	8X9-W7714-00-00	SHROUD ASSEMBLY (8X9-W7711-00)	1	
2	8V0-77171-00-00	BODY, LATCH 1	2	
3	90387-06241-00	COLLAR	2	
4	90201-06059-00	WASHER, PLATE	4	
5	98906-06025-00	SCREW, BIND	2	
6	98906-06010-00	SCREW, BIND	2	
7	8V0-77118-01-00	STOPPER, SHROUD	1	
8	8V0-77159-00-00	CLAMP, ROD	1	
9	87F-77140-00-00	HINGE ASSEMBLY	2	
10	95701-06500-00	NUT, FLANGE	4	
11	98586-05016-00	SCREW, PAN HEAD	4	
12	92906-05100-00	WASHER, SPRING	4	
13	92906-05200-00	WASHER, PLAIN	4	
14	8V0-77188-00-00	STOPPER	2	
15	8V0-77116-00-00	WASHER, SPECIAL	2	
16	90267-40029-00	RIVET, BLIND	4	
17	8X9-21982-00-00	HOOD 1 (L.H)	1	
18	8X9-77141-00-00	. EMBLEM 1	1	
19	90183-04012-00	. NUT, SPRING	4	
20	8X9-21983-00-00	HOOD 2 (R.H)	1	
21	8X9-77141-00-00	. EMBLEM 1	1	
22	90183-04012-00	. NUT, SPRING	4	
23	98516-05012-00	SCREW, PAN HEAD 4CG	2	
24	92906-05100-00	WASHER, SPRING	2	
25	92906-05200-00	WASHER, PLAIN	2	
26	97016-06016-00	BOLT	6	
27	90201-06067-00	WASHER, PLATE	4	
28	95701-06300-00	NUT, NYLON	4	

CONTINUED ON NEXT FRAME ►

Property of www.SmallEngineDiscount.com - Not for Resale

SHROUD - WINDSHIELD

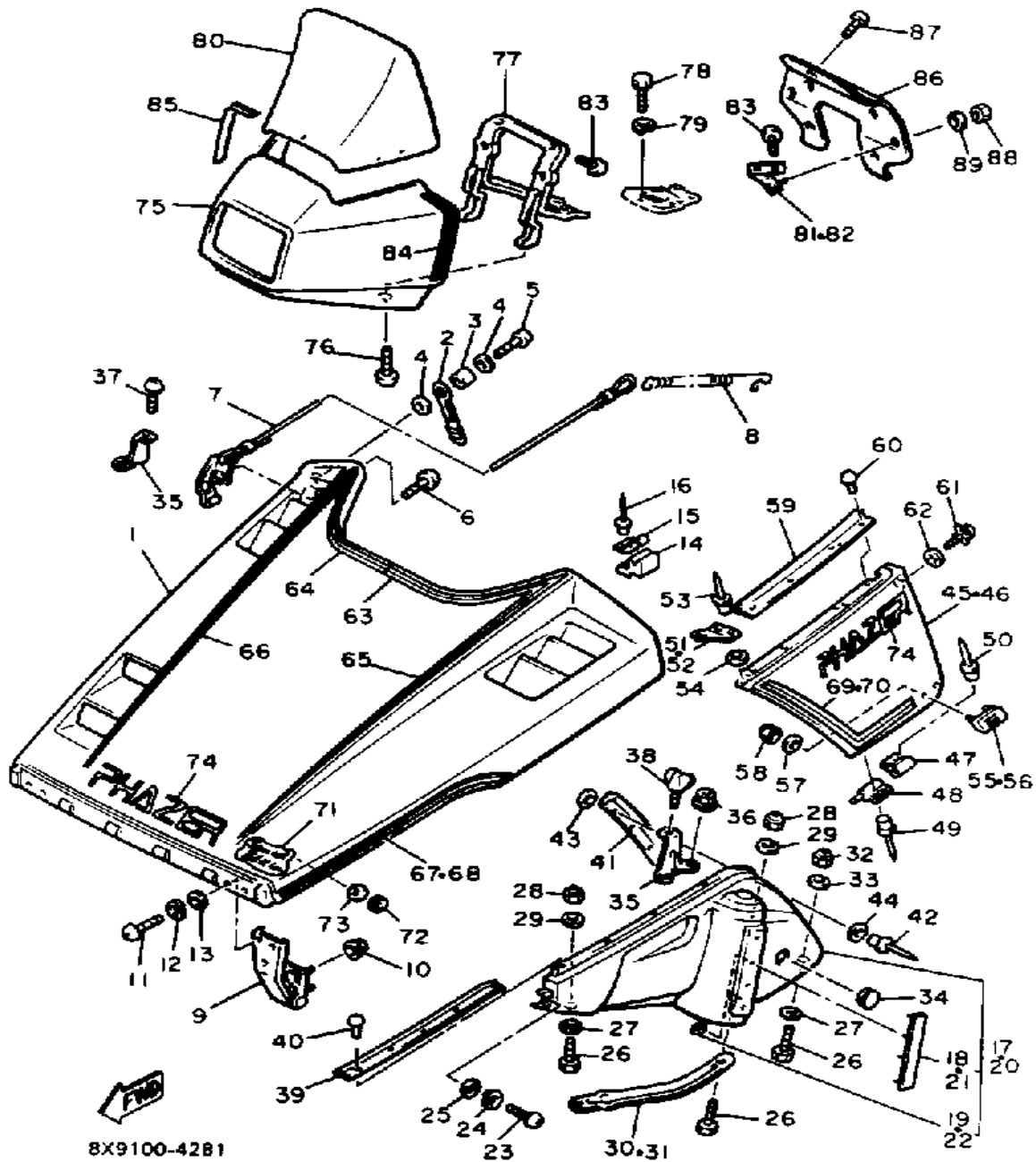


Ref. No.	Part Number	Description	Qty	Remarks
29	90201-06067-00	WASHER, PLATE	4	
30	8V0-21995-01-00	GUARD, SUB FRAMEFRAME FR 1	1	
31	8V0-21996-01-00	GUARD, SUB FRAMEFRAME FR 2	1	
32	95701-06300-00	NUT, NYLON	2	
33	92990-06200-00	WASHER	4	
34	90480-40382-00	GROMMET	1	
35	8V0-2196F-00-00	BRACKET 3	2	
36	95701-05500-00	NUT, FLANGE	4	
37	98980-06016-00	SCREW, BINDING	1	
38	90122-06015-00	BOLT, WING	1	
39	8V0-77515-01-00	BUSH, RUBBER 1	2	
40	90269-05039-00	RIVET	10	
41	8V0-2196T-00-00	TRIM 1	2	
42	90267-40076-00	RIVET, BLIND	8	
43	90201-044A2-00	WASHER, PLATE	8	
44	90201-047A2-00	WASHER, PLATE	8	
45	8X9-2197H-00-00	HOOD 3	1	
46	8X9-2198H-00-00	HOOD 4	1	
47	8V0-2194X-00-00	BRACKET, 1	4	
48	8V0-2195X-00-00	BRACKET 2	4	
49	90267-48059-00	RIVET, BLIND	8	
50	90267-48060-00	RIVET, BLIND	8	
51	8V0-77553-00-00	PROTECTOR 3	1	
52	8V0-77554-00-00	PROTECTOR 4	1	
53	90267-48053-00	RIVET, BLIND	4	
54	90201-04325-00	WASHER, PLATE	4	
55	8V0-77551-00-00	PROTECTOR 1	1	

CONTINUED ON NEXT FRAME ►

Property of www.SmallEngineDiscount.com - Not for Resale

SHROUD - WINDSHIELD

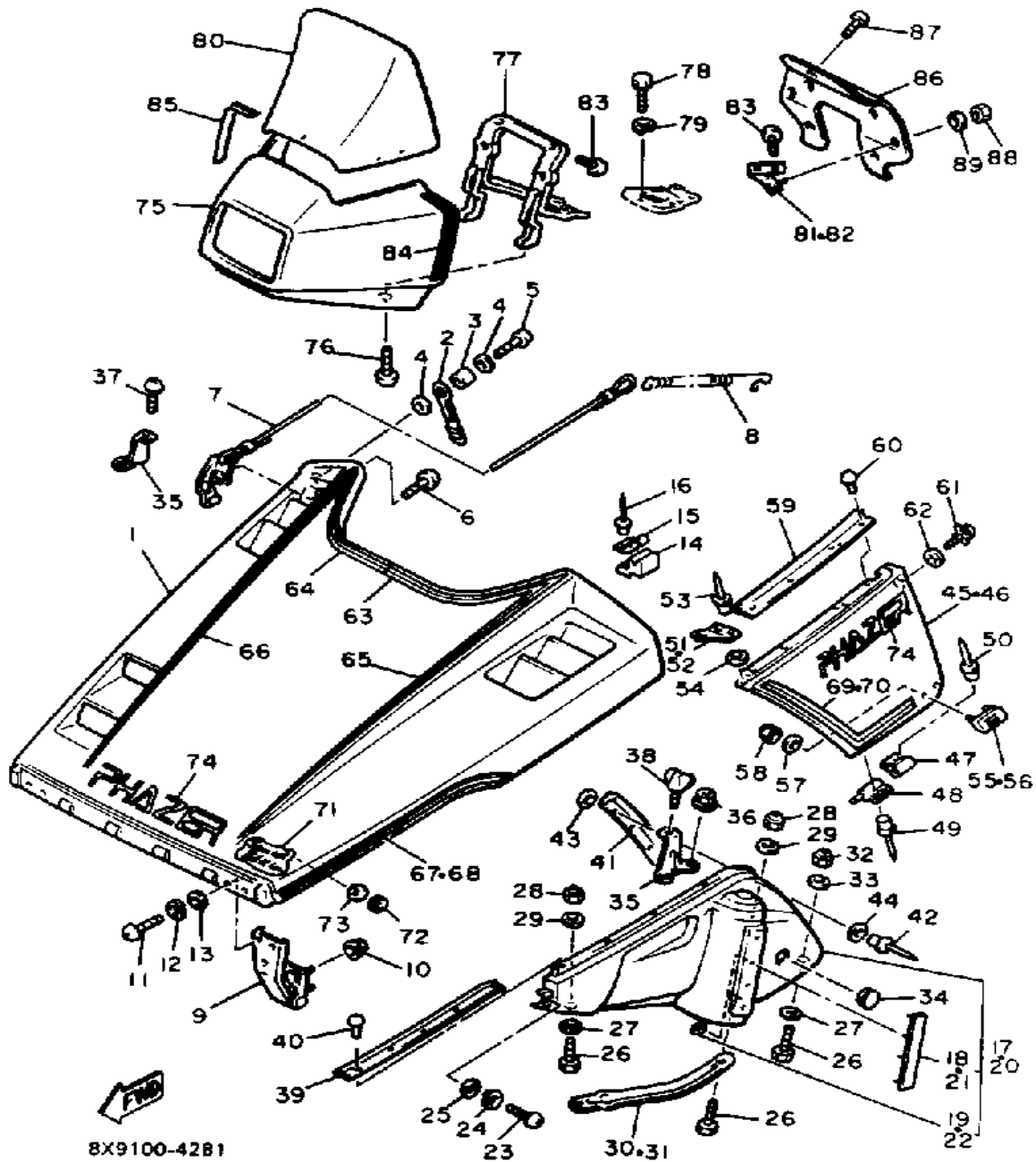


Ref. No.	Part Number	Description	Qty	Remarks
56	8V0-77552-00-00	PROTECTOR 2	1	
57	90201-05029-00	WASHER, PLATE	4	
58	95701-05300-00	NUT, NYLON	4	
59	8V0-77516-01-00	BUSH, RUBBER 2	2	
60	90269-05039-00	RIVET	8	
61	8V0-77175-00-00	HOLDER, LATCH	2	
62	4U5-2176E-00-00	PLATE	2	
63	8X9-77281-00-00	STRIPE 1	1	
64	8X9-77282-00-00	STRIPE 2	1	
65	8X9-77283-00-00	STRIPE 3	1	
66	8X9-77284-00-00	STRIPE 4	1	
67	8X9-77163-00-00	ORNAMENT 1	1	
68	8X9-77164-00-00	ORNAMENT 2	1	
69	8X9-77285-00-00	STRIPE 5	1	
70	8X9-77286-00-00	STRIPE 6	1	
71	8X9-77142-00-00	EMBLEM 2	1	
72	90183-04005-00	NUT, SPRING	2	
73	90202-04003-00	WASHER, PLATE	2	
74	8X9-77356-00-00	EMBLEM 6	3	
75	8X9-77231-01-00	FAIRING 1 (8X9-77231-00)	1	
76	98903-06010-00	SCREW, BIND	2	
77	8V0-77241-00-00	STAY, FAIRING	1	
78	97011-06025-00	BOLT (97001-06025)	3	
79	92995-06100-00	WASHER, SPRING	3	
80	8X9-77210-00-00	WINDSHIELD (SMOKE)	1	
81	8X9-77218-00-00	WASHER 1	1	
82	8X9-77219-00-00	WASHER 2	1	
83	90154-05023-00	SCREW, BINDING	6	
84	8X9-77289-00-00	STRIPE 9	1	

CONTINUED ON NEXT FRAME ➤

Property of www.SmallEngineDiscount.com - Not for Resale

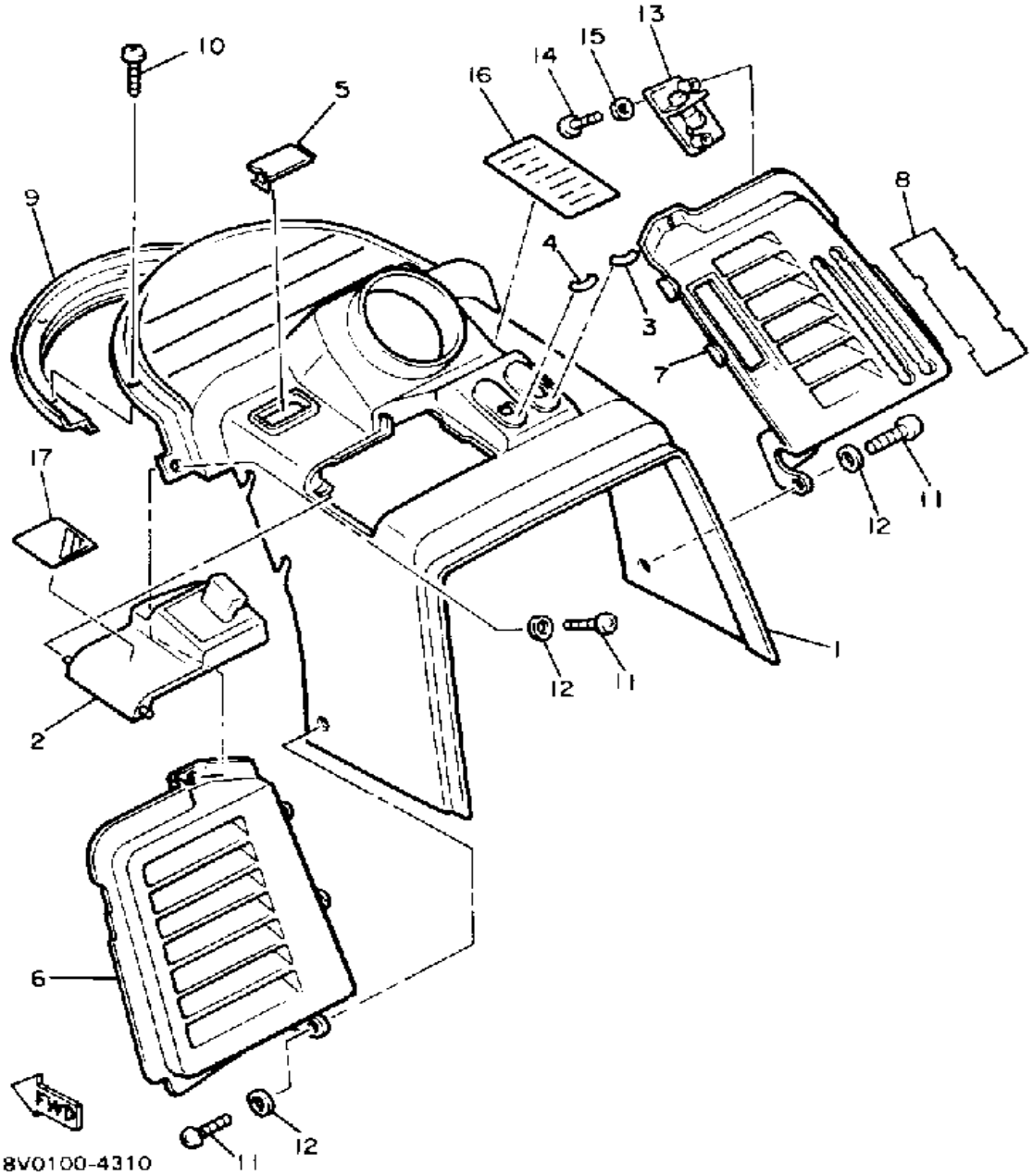
SHROUD - WINDSHIELD



Ref. No.	Part Number	Description	Qty	Remarks
85	8X9-77291-00-00	STRIPE 0	1	
86	8X9-77251-00-00	COVER, HEADLIGHT	1	
87	90154-05005-00	SCREW, BINDING	3	
88	95306-05800-00	NUT (CROWN)	2	
89	90201-05721-00	WASHER, PLATE	2	

Property of www.SmallEngineDiscount.com - Not for Resale

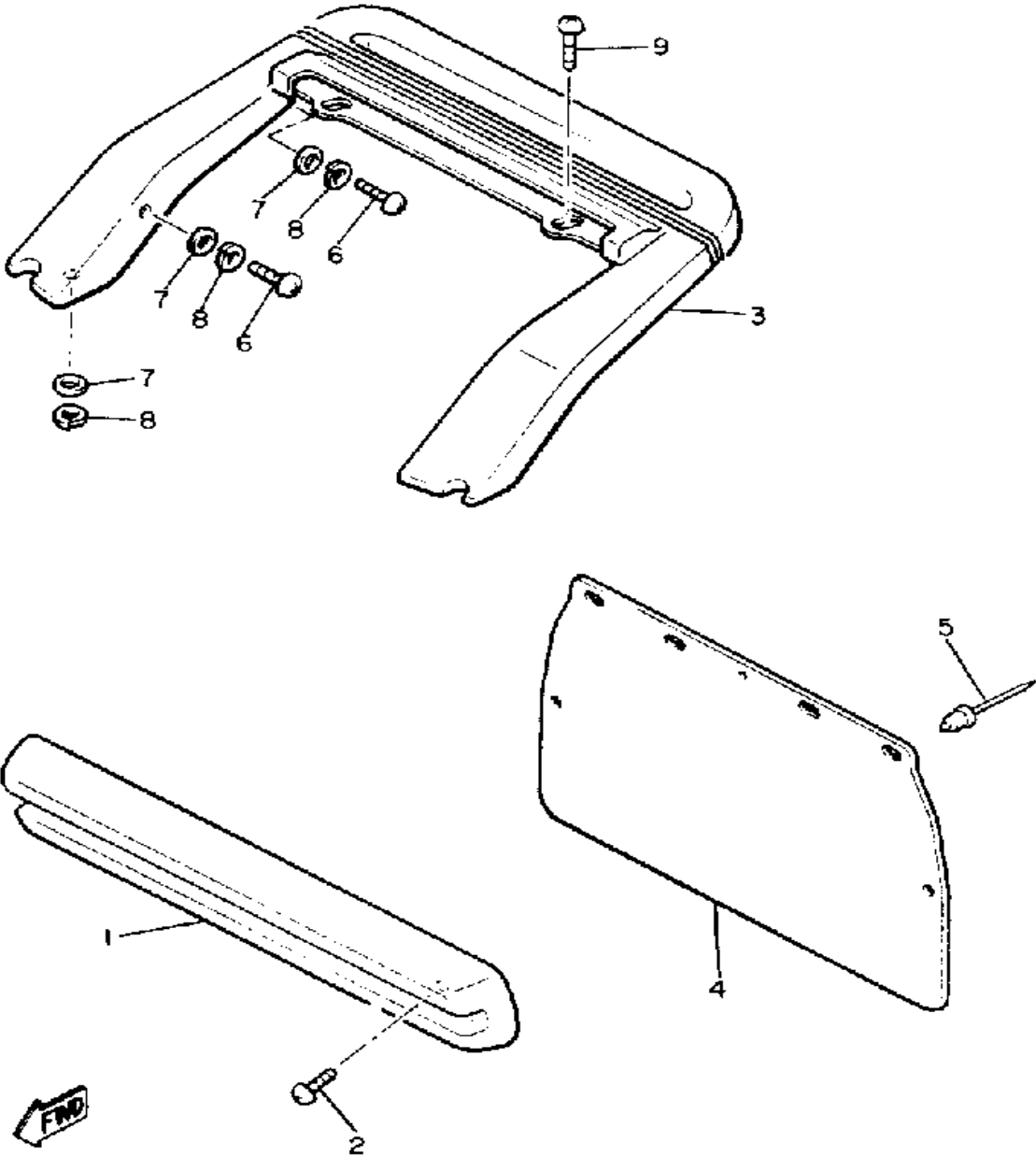
INSTRUMENT PANEL



Ref. No.	Part Number	Description	Qty	Remarks
1	8X9-77711-01-00	PANEL, INSTRUMENT	1	
2	8X9-77712-01-00	PANEL, INSTRUMENT	1	
3	8V0-77741-20-00	INDICATOR 1	1	
4	8U9-77742-00-00	INDICATOR 2	1	
5	8X9-77740-00-00	GROMMET, INSTRUMENT PANEL	1	
6	8X9-77131-00-00	LOUVER 1	1	
7	8X9-77132-00-00	LOUVER 2	1	
8	8V0-7716E-00-00	REFLECTOR 1	2	
9	8V0-77731-00-00	SHIELD 1	1	
10	98906-05012-00	SCREW, BIND	4	
11	98906-05016-00	SCREW, BIND	4	
12	90201-05721-00	WASHER, PLATE	4	
13	(8V0-77721-00-00)	BRACKET 1	1	
14	97706-50512-00	SCREW, TAPPING	2	
15	92906-05600-00	WASHER, PLATE	2	
16	8X9-77763-00-00	LABEL, WARNING 3	1	
17	8X9-77715-00-00	ORMNT, INSTR PNL 1PANEL 1	1	

Property of www.SmallEngineDiscount.com - Not for Resale

BUMPER

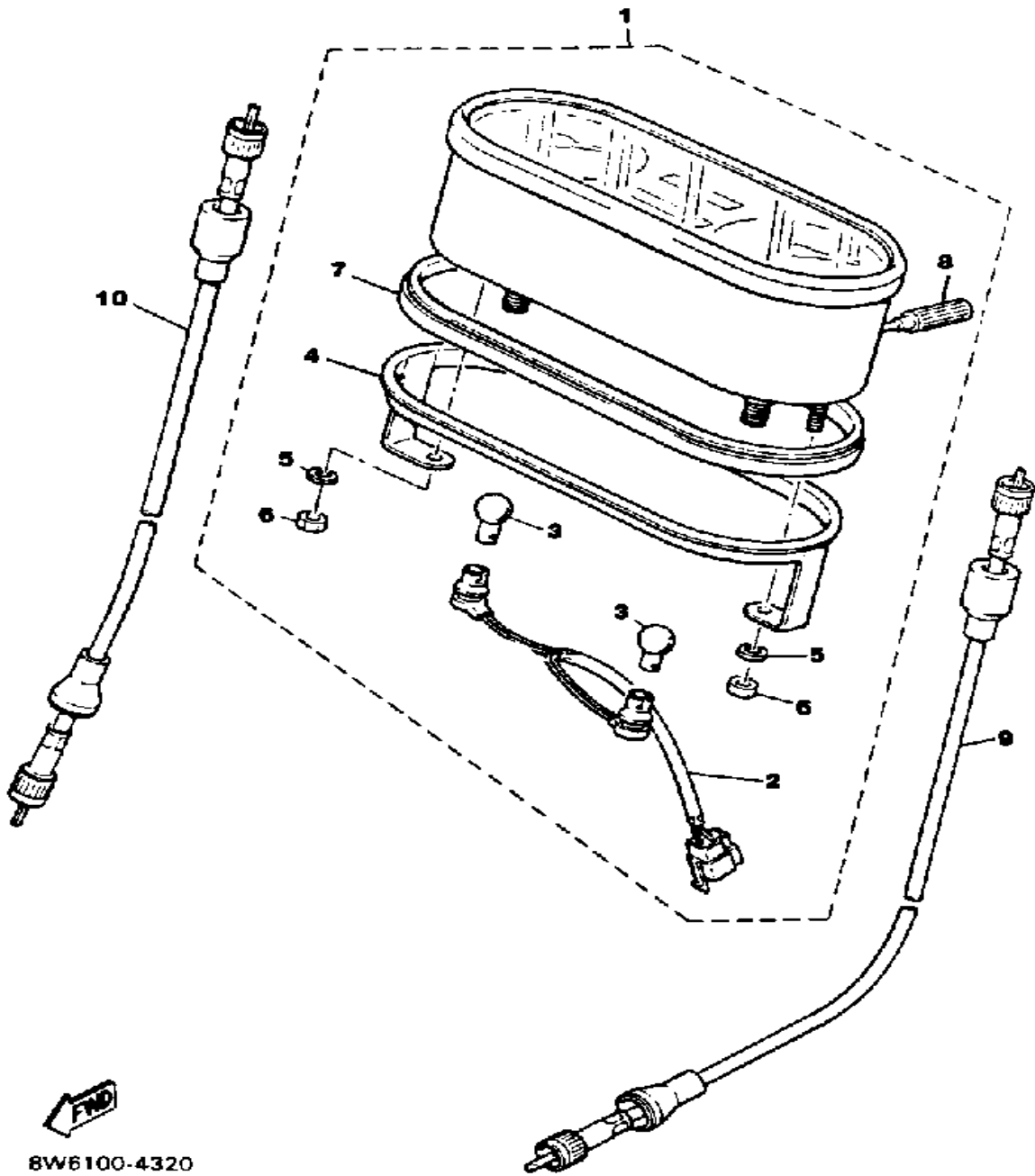


8X9100-4300

Ref. No.	Part Number	Description	Qty	Remarks
1	8X9-77511-00-00	BUMPER, FRONT 1	1	
2	98906-06012-00	SCREW, BIND	2	
3	87F-77542-00-00	BUMPER, REAR 2	1	
4	8X9-77595-00-00	FLAP	1	
5	90267-48086-00	RIVET, BLIND	5	
6	98903-08020-00	SCREW, BIND (98901-08020)	4	
7	92990-08200-00	WASHER, PLAIN	6	
8	92990-08100-00	WASHER	6	
9	98903-08012-00	SCREW, BIND	2	

Property of www.SmallEngineDiscount.com - Not for Resale

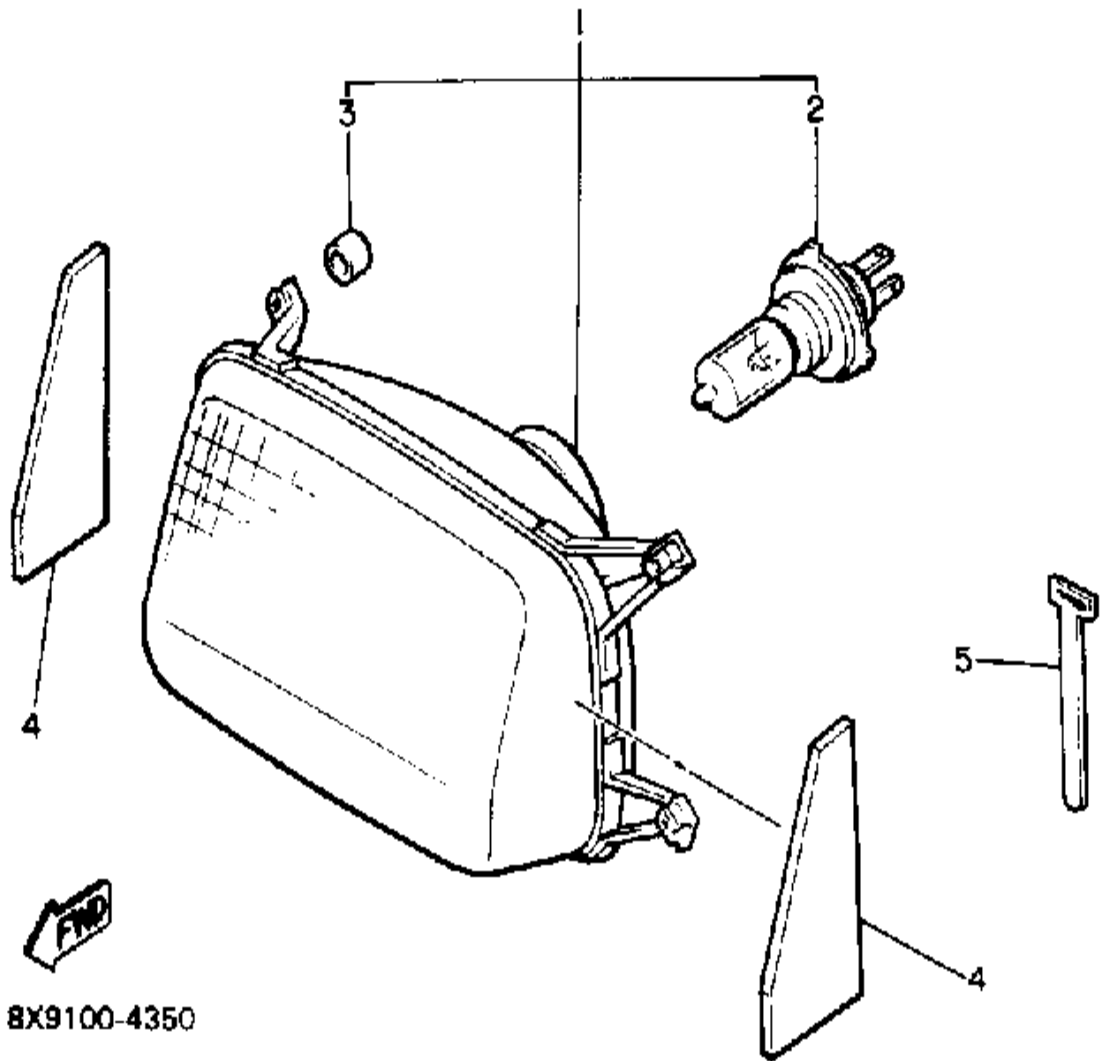
METER



Ref. No.	Part Number	Description	Qty	Remarks
1	81R-83500-40-00	SPEEDOMETER ASSEMBLY ..	1	U.R. MILE/H
2	8V0-83536-00-00	. SOCKET, METER	1	
3	4G1-84744-00-00	. BULB, MTR.12V3.4W	2	
4	8K4-83519-01-00	. BRACKET, METER	1	
5	92990-05100-00	. WASHER, SPRING	2	
6	95380-05600-00	. NUT	2	
7	8K4-83513-00-00	. DAMPER	1	
8	8L8-83578-00-00	. KNOB, TRIP METER	1	
9	8K4-83550-00-00	SPEEDOMETER CABLE ASSEMBLY	1	
10	8A1-83550-02-00	SPEEDOMETER CABLE ASSEMBLY	1	

Property of www.SmallEngineDiscount.com - Not for Resale

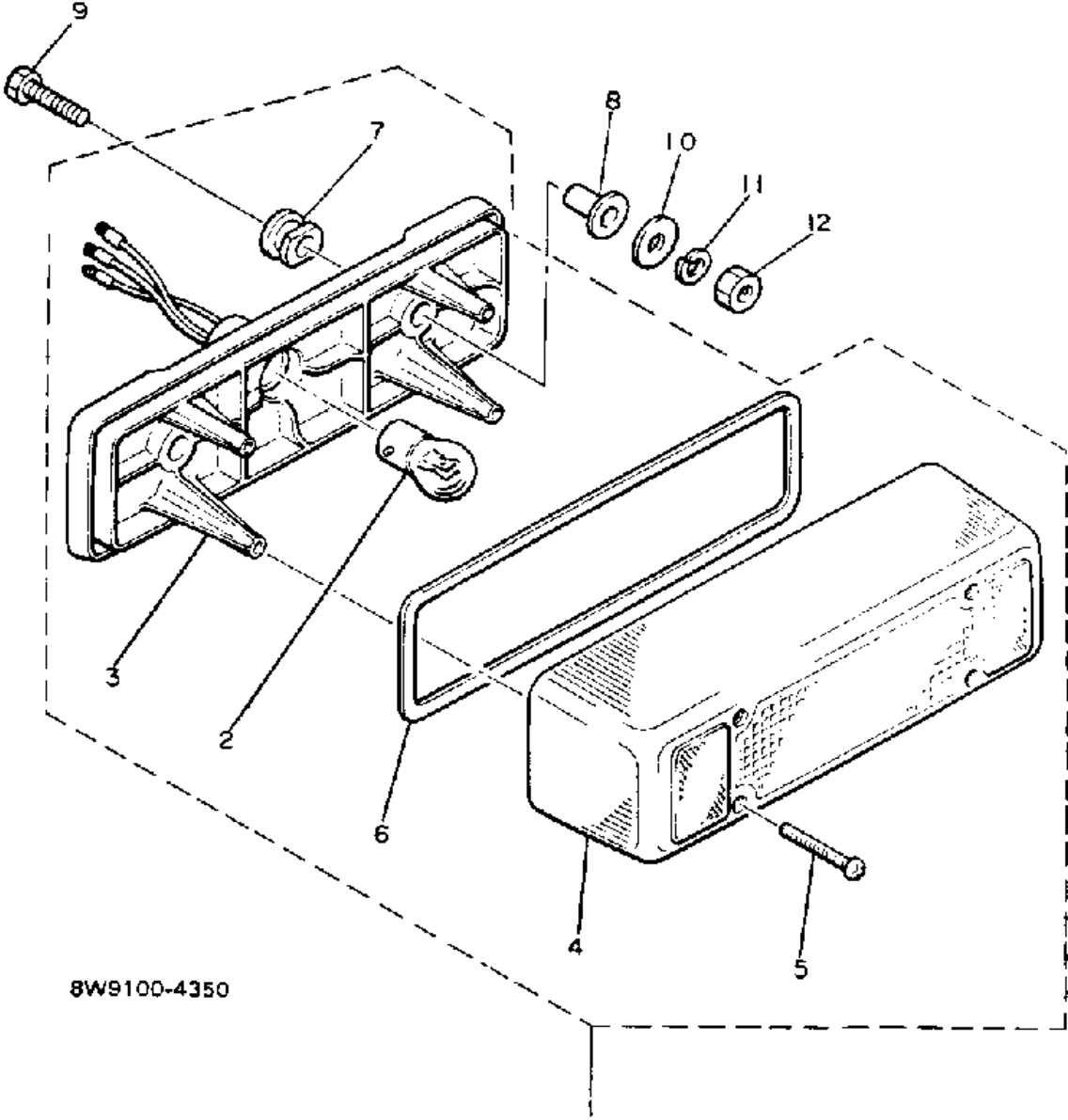
HEADLIGHT



Ref. No.	Part Number	Description	Qty	Remarks
1	86M-84310-00-00	HEADLIGHT UNIT ASSEMBLY .	1	
2	5V2-84314-00-XX	BULB, HL 12V60/55W (2F9-84314-00)	1	LM
3	8V0-84366-00-00	. DAMPER, HEADLIGHT 1	1	
4	8W6-84366-00-00	DAMPER, HEADLIGHT 1	1	
5	437-83936-01-00	BAND, SWITCH CORD	2	

Property of www.SmallEngineDiscount.com - Not for Resale

TAILLIGHT

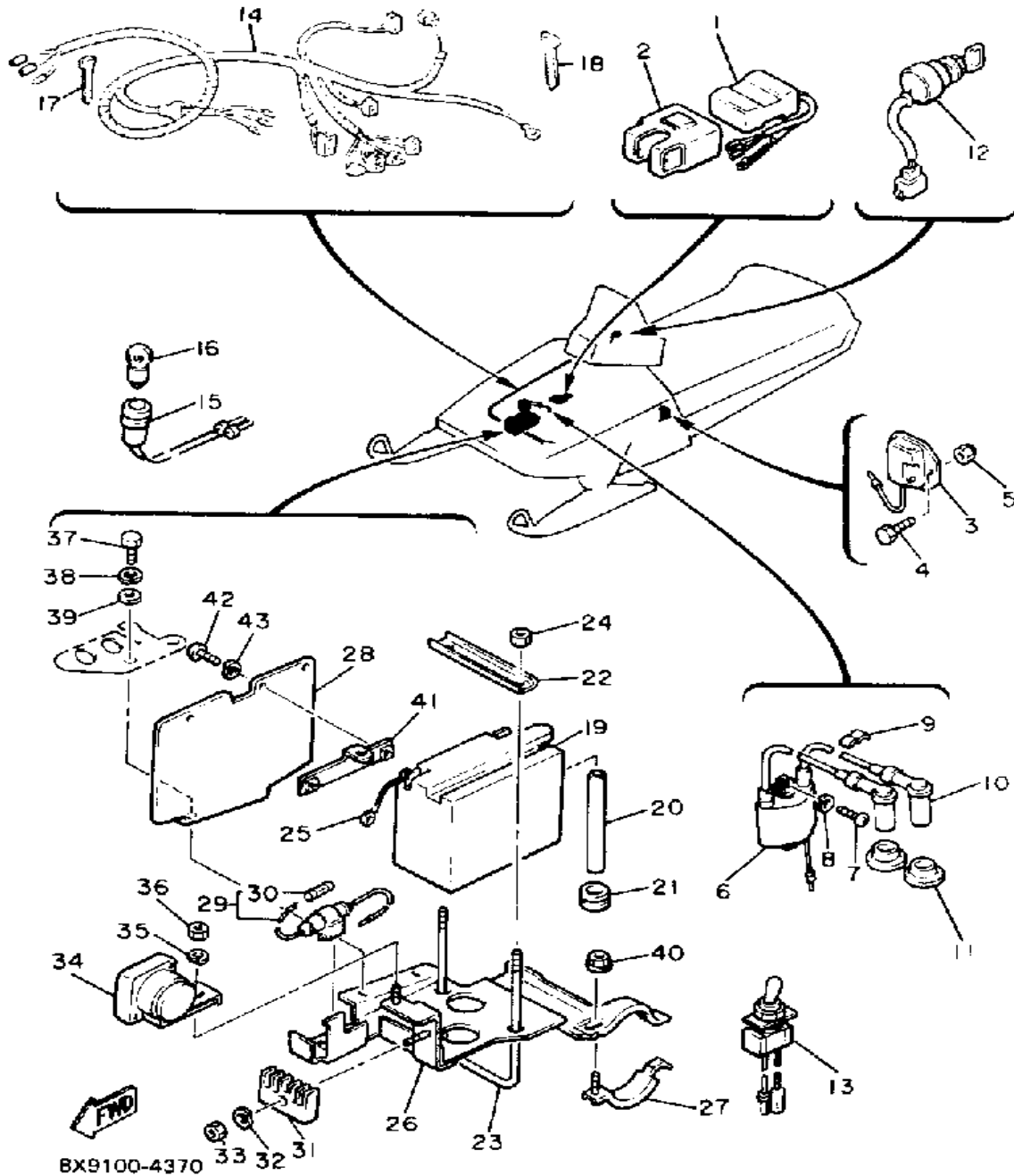


Ref. No.	Part Number	Description	Qty	Remarks
1	8K4-84710-00-00	TAILLIGHT UNIT ASSEMBLY ..	1	
2	137-84714-61-00	. BULB, TL 12V23/8W (J50-83311-00)	1	
3	8K4-84711-00-00	. BASE, TAILLIGHT	1	
4	8K4-84721-00-00	. LENS, TAILLIGHT	1	
5	97780-40130-00	. SCREW, PANHEAD TAPPING (97701-40130-00)	4	
6	87M-84723-00-00	. GASKET, TAIL LENS	1	
7	8K4-84718-00-00	. GROMMET	2	
8	90387-060G8-00	COLLAR	2	
9	90201-06407-00	WASHER, PLATE (90201-06747-00)	4	
10	97013-06035-00	BOLT	2	
11	92995-06100-00	WASHER, SPRING	2	
12	95380-06600-00	NUT	2	

8W9100-4350

Property of www.SmallEngineDiscount.com - Not for Resale

ELECTRICAL 1

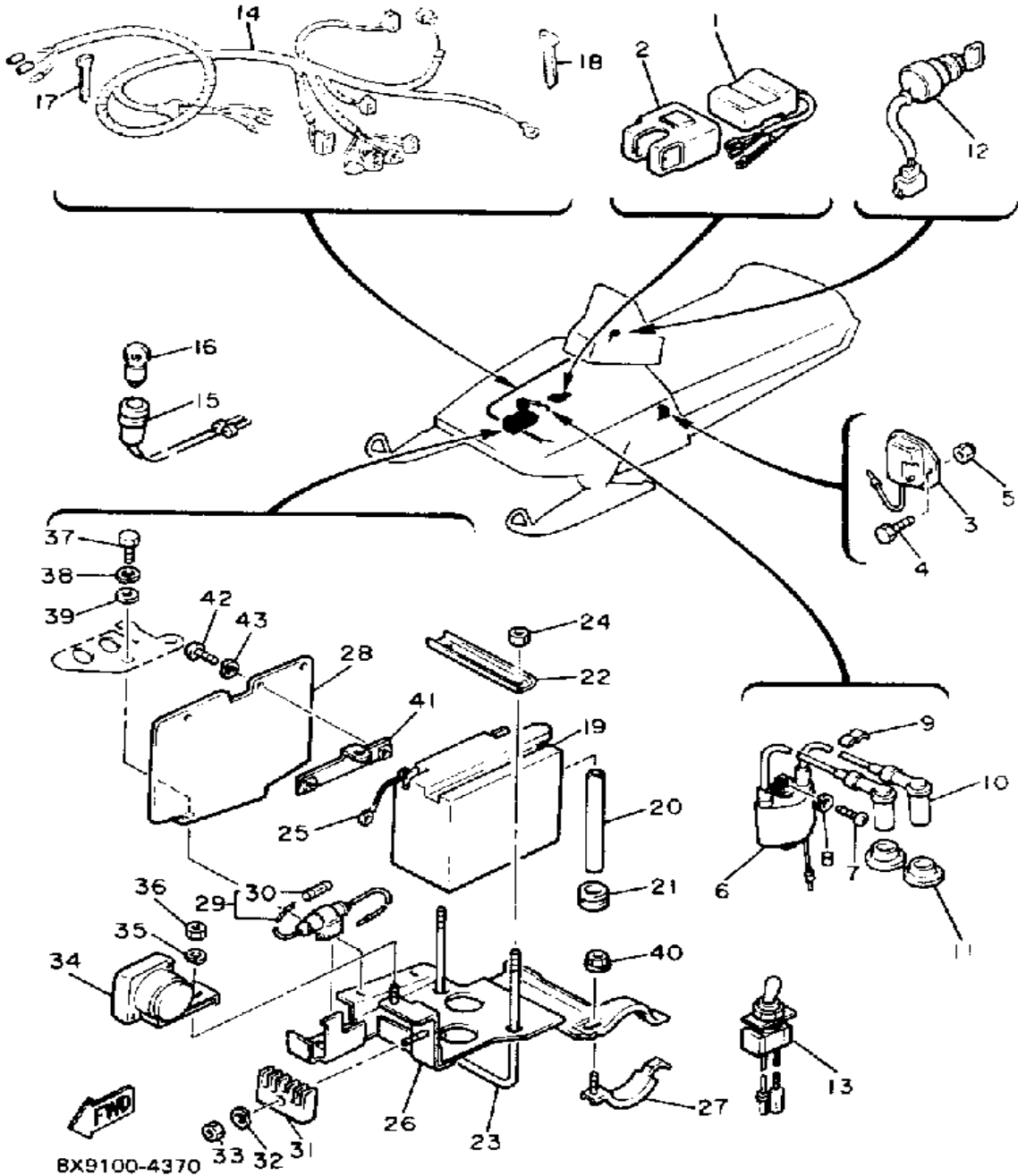


Ref. No.	Part Number	Description	Qty	Remarks
1	8N4-85540-20-00	CDI UNIT ASSEMBLY	1	
2	2A7-85546-00-00	BAND	1	
3	82F-81910-A0-00	VOLTAGE REGULATOR ASSEMBLY	1	
4	97026-06014-00	BOLT	2	
5	95701-06300-00	NUT, NYLON	2	
6	8V8-82310-10-00	IGNITION COIL ASSEMBLY	1	
7	98580-06020-00	SCREW	2	
8	92995-06100-00	WASHER, SPRING	2	
9	861-82361-00-00	CLAMP, CORD	1	
10	8K1-82370-20-00	PLUG CAP ASSEMBLY (WITH RESISTOR)	2	
11	8V0-82372-00-00	SEAL, PLUG CAP	2	
12	8K1-82508-20-00	MAIN SWITCH ASSEMBLY	1	
13	82J-82917-00-00	SWITCH	1	
14	8X9-82590-20-00	WIRE HARNESS ASSEMBLY	1	
15	8V0-84301-00-00	PILOT LIGHT ASSEMBLY 1	1	
16	8V0-85353-00-00	BULB (12V5W)	1	
17	437-83936-01-00	BAND, SWITCH CORD	1	
18	341-26397-01-00	BAND	1	
19	BTY-YB14L-A2-00	BATTERY ASSEMBLY (YB14L-A2)	1	
20	90445-08684-00	HOSE	1	
21	90480-12013-00	GROMMET	1	
22	8J4-82136-00-00	PLATE, BATTERY FITTING	1	
23	8J4-82133-00-00	SCREW, FITTING	1	
24	95701-06300-00	NUT, NYLON	2	
25	8V0-82115-00-00	WIRE, PLUS LEAD	1	
26	8V0-2199G-00-00	BRACKET, BATTERY	1	
27	8V0-82136-00-00	PLATE, BATTERY FITTING	1	

CONTINUED ON NEXT FRAME ➤

Property of www.SmallEngineDiscount.com - Not for Resale

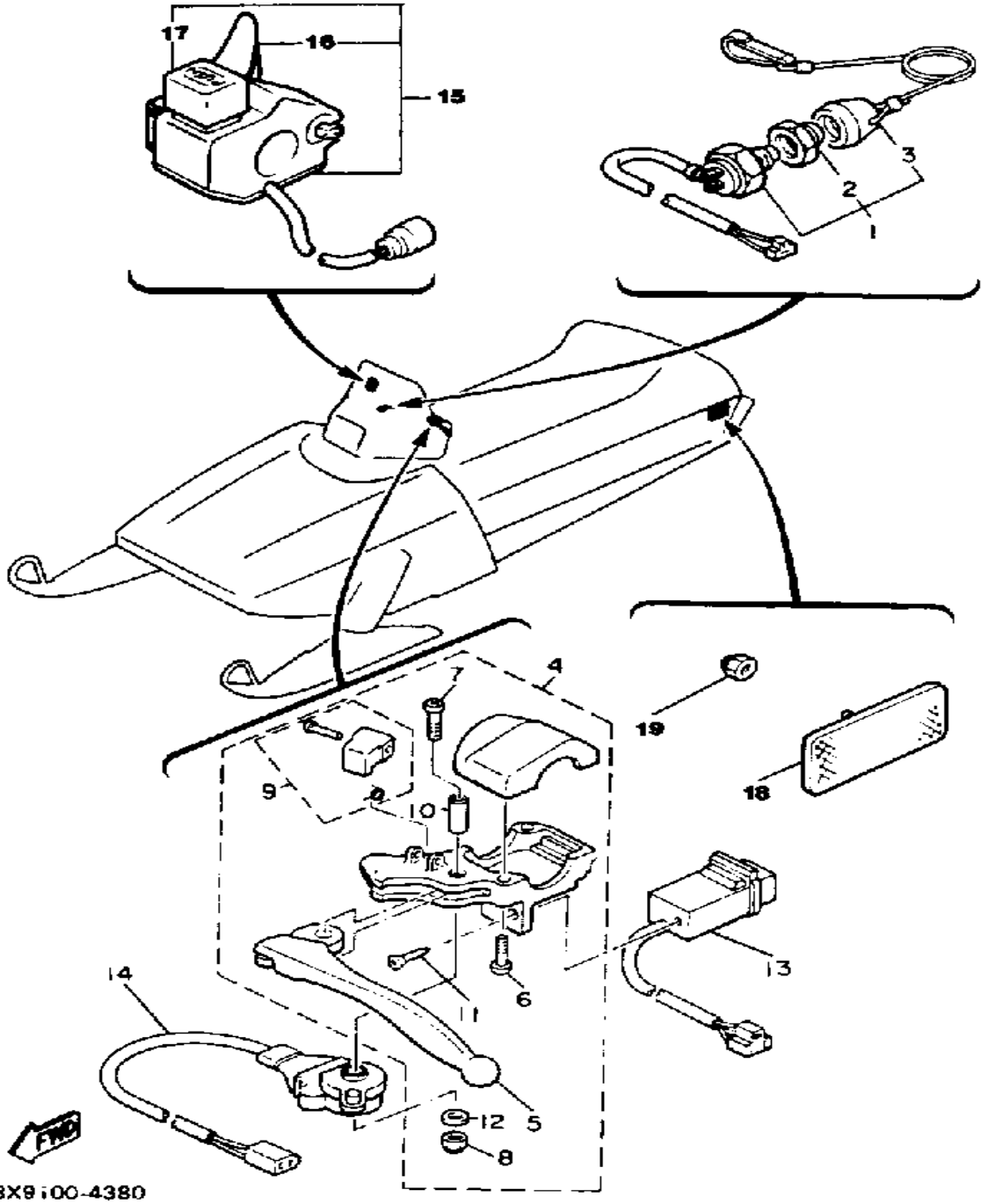
ELECTRICAL 1



Ref. No.	Part Number	Description	Qty	Remarks
28	8V0-2199H-00-00	SHIELD, HEAT	1	
29	2J2-82150-10-00	FUSE HOLDER ASSEMBLY ...	1	
30	682-82151-00-00	. FUSE (20A)	2	
31	1Y8-81970-60-00	RECTIFIER ASSEMBLY	1	
32	92995-06100-00	WASHER, SPRING	1	
33	95380-06600-00	NUT	1	
34	8J9-81940-10-00	STARTER RELAY ASSEMBLY .	1	
35	92995-06100-00	WASHER, SPRING	1	
36	95380-06600-00	NUT	1	
37	97013-06012-00	BOLT	2	
38	92995-06100-00	WASHER, SPRING	2	
39	90201-061A5-00	WASHER, PLATE	2	
40	95701-06500-00	NUT, FLANGE	1	
41	8V0-82128-00-00	BRACKET, BATTERY	1	
42	98501-05008-00	SCREW, PAN HEAD	2	
43	92901-05600-00	WASHER, PLATE	2	

Property of www.SmallEngineDiscount.com - Not for Resale

ELECTRICAL 2



Ref. No.	Part Number	Description	Qty	Remarks
1	8H8-82550-01-00	ENGINE STOP SWITCH ASSEMBLY	1	
2	8H8-82557-00-00	. NUT	1	
3	8H8-82552-09-00	. CAP, SWITCH	1	
4	88R-W8291-00-00	LEVER HOLDER ASSEMBLY (LEFT)	1	
5	8H8-83912-00-00	. LEVER 1	1	
6	90157-05027-00	. SCREW, PAN HEAD	2	
7	98501-05040-00	. SCREW, PAN HEAD (98502-05040)	1	
8	95701-05300-00	. NUT, NYLON	1	
9	82A-83930-00-00	. LEVER LOCK ASSEMBLY	1	
10	802-83913-00-00	. COLLAR, LEVER 1	1	
11	97780-30312-00	. SCREW, tapping	2	
12	92990-05200-00	. WASHER, PLAIN	1	
13	8H8-83950-01-00	BEAM SWITCH ASSEMBLY (8K4-83950-01-00)	1	
14	88R-82530-00-00	STOP SWITCH ASSEMBLY	1	
15	8W6-82720-00-00	LEVER HOLDER ASSEMBLY 2	1	
16	8V0-42138-00-00	. LEVER, THROTTLE	1	
17	8W6-82575-09-00	. STOP SWITCH ASSEMBLY	1	
18	3Y6-85130-02-00	REAR REFLECTOR ASSEMBLY	2	
19	95701-05300-00	NUT, NYLON	2	

Property of www.SmallEngineDiscount.com - Not for Resale

PZ480SEH

1984 SERVICE/HIGH ALTITUDE TUNING DATA

MODEL / IBM / ID NUMBER	PZ480SEH	8X9
Starting Engine Number / Frame Number	8V0-021101 / 8X9-021101	

ENGINE - Type / Induction System	2-Stroke, Forced-air Cooled, Reed Valve	
Bore / Stroke / Number Cylinders / Displacement	72.0mm / 59.6mm / 2 / 485cc	
Compression Ratio	7.0:1	
Piston Skirt Clearance New / Max	0.045 ~ 0.050mm / 0.10mm	
Ring End Gap Top / 2nd	0.35 ~ 0.55mm / 0.35 ~ 0.55mm	
Ring Groove Clearance Top / 2nd	0.02 ~ 0.06mm / 0.02 ~ 0.06mm	
Coolant Type / Mixing Ratio	Ø	

CARBURETOR - Mt. Type / Size / Qty / ID Number	Mikuni - B38-32 / 38-32mm / 2 / 8V0-00	
Main Jet / Main Air Jet	143.8 / 1.5	
Slow Jet / Slow Air Jet / Air Screw	Ø / Ø / Ø	
Pilot Jet / Pilot Screw	95 / 1-1/2 Turns Out	
Needle Jet/Jet Needle-Clip Position/Cutaway/Air Jet	Ø / Ø / Ø / Ø	
Power Jet / Power Air Jet	Ø / Ø	
Fuel Inlet Valve / Float Level	1.5 / 12 ± 1.0mm	
Idle Speed	1600rpm	

AUTOLUBE - Pump Color / Control Rod Adjustment	Black / 22 ± 1mm @ Idle @ Pump Wire Assembly	
Pump Plunger Stroke Min / Max	0.15 ~ 0.20mm / 1.62 ~ 1.80mm	
Output @ 200 Strokes Full Throttle / Idle	4.07 ~ 4.52cc / 0.38 ~ 0.50cc	

DRIVE - Engagement rpm / Shift rpm	3200 ± 200rpm / 6800 ± 200rpm	
Belt Length / Width / Wear Limit / IBM Number	1099mm / 31.6mm / 26mm / 8F2	
Sheave Center-to-center / Offset	268.5 ± 1.5mm / 11 ± 0.5mm	
Primary Spring Color / Length / Rate / Preload	Red-Blu / 75.2mm / 1.88kg/mm / 25.8kg	
Secondary Spring Preload / Color	60° (B-1) / Yel-Blu	
Secondary Drive Ratio / Chain Free Play	17-29 / 10 ± 5mm	
Track Width / Tension	15in / 25 ~ 30mm @ 10kg	

CAPACITIES - Chain Case/Gear Case Cap. (Type)	250cc / Ø (SAE80W90 API GL-4)	
Fuel Tank Capacity / Type	28.6 Lit / Regular	
Autolube Tank Capacity / Type	2.5 Lit / Yamalube 2	

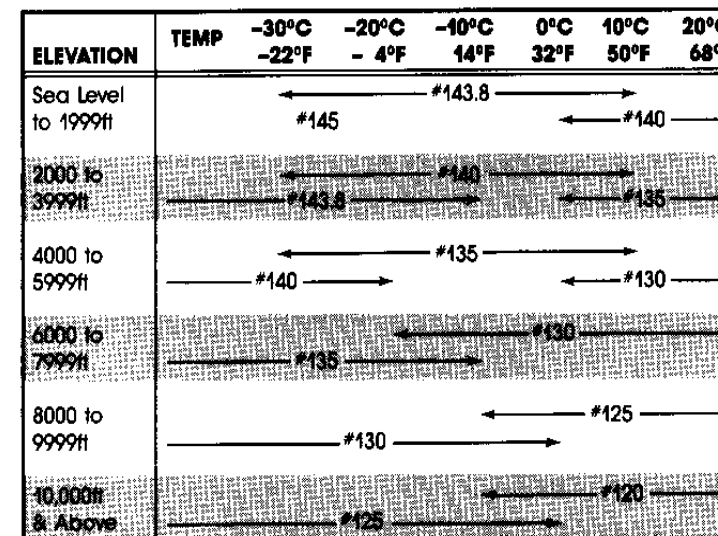
ELECTRICAL - Mt. / Type	Mitsubishi / CDI	
Battery Model / Specific Gravity / Charge Rate	Yuasa Denchi YB14L-A2(12V14A) / 1.28 / 1.4A	
Charging Coil Color Code / Resistance	Wht-Blk / 0.22Ω ± 10%	
Headlight / Taillight / Meter Light Ratings	12V60-55W / 12V23-8W / 12V3.4W	
Lighting Coil Color Code / Resistance / Output	Yel ~ Blk / 0.19Ω ± 10% / 12V100W	
Handlebar Heater Coil Color Code / Resistance	Yel-Blk ~ Blk / 0.66Ω ± 10%	
Ignition Coil Resistance Primary / Secondary	0.15Ω ± 10% / 3.5KΩ ± 20%	
Source Coil Color Code / Resistance	Brn ~ Blk / 1290Ω ± 10%	
Pulser Coil Color Code / Resistance	Wht-Red ~ Blk / 17Ω ± 10%	
Spark Plug Type / Gap / Torque	NGK BR9ES / 0.7 ~ 0.8mm / 2.75m·kg	
Ignition Timing	1.5mm BTDC	

SERVICE COPY	SER MGR	MECH	MECH	MECH	BINDER
OFFICE COPY	GEN MGR	SALES	PARTS	BINDER	PAGE 1 OF 2

PZ480SEH HIGH ALTITUDE SPECIFICATIONS

	STANDARD SETTING	HIGH ALTITUDE
Idle	1600rpm	Standard
Clutch Engagement	3200 ± 200rpm	3800 ± 200rpm
Shift Speed	6800 ± 200rpm	Standard
Main Jet	#143.8	See Setting Chart
Low Speed Mixture Screw	1.5 Turns Out	Standard
Gear Reduction	17-29	See Sprocket Chart
Primary Spring	Red-Blu	Yel-Org (90501-520A2-00)
Secondary Spring Preload	60° (B-1)	80° (A-2)

MAIN JET SETTING CHART



JET SIZE	PART NUMBER
MAIN	
#145	256-14944-29-A1
#140	256-14944-28-A1
#135	256-14944-27-A1
#130	256-14944-26-A1
#125	256-14944-25-A1
#120	256-14944-24-A1

SPROCKET SELECTION CHART (Not mandatory; change as needed for extreme uses)

ELEVATION	DRIVE SPROCKET	DRIVEN SPROCKET	SPROCKET	PART NUMBER
Sea Level ~ 5000ft	Std ~ 16T	Std	16T	878-17682-60-00
4000ft ~ 8000ft	16T ~ 15T	Std	15T	878-17682-50-00
7000ft ~ Above	15T	31T	31T	878-47587-00-00

SERVICE LITERATURE

PUBLICATION	PART NUMBER	REMARKS
Owner's Manual	LIT-12628-00-61	
Service Manual	LIT-12618-00-61	Supp. to PZ480H (00-55)
Assembly Manual	LIT-12668-00-61	Supp. to Basic Assembly Manual (LIT-11666-00-52)

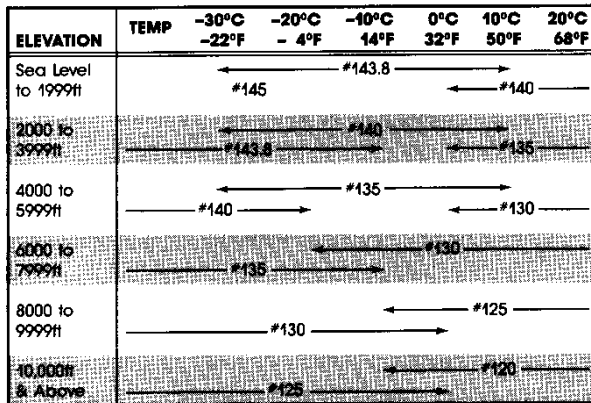
Ø = Does Not Apply To This Model

NA = Information Not Available

PZ480SEH HIGH ALTITUDE SPECIFICATIONS

	STANDARD SETTING	HIGH ALTITUDE
Idle	1600rpm	Standard
Clutch Engagement	3200 ± 200rpm	3800 ± 200rpm
Shift Speed	6800 ± 200rpm	Standard
Main Jet	#143.8	See Setting Chart
Low Speed Mixture Screw	1.5 Turns Out	Standard
Gear Reduction	17-29	See Sprocket Chart
Primary Spring	Red-Blu	Yel-Org (90501-520A2-00)
Secondary Spring Preload	60° (B-1)	80° (A-2)

MAIN JET SETTING CHART



JET SIZE	PART NUMBER
MAIN	
#145	256-14944-29-A1
#140	256-14944-28-A1
#135	256-14944-27-A1
#130	256-14944-26-A1
#125	256-14944-25-A1
#120	256-14944-24-A1

SPROCKET SELECTION CHART (Not mandatory; change as needed for extreme uses)

ELEVATION	DRIVE SPROCKET	DRIVEN SPROCKET	SPROCKET	PART NUMBER
Sea Level ~ 5000ft	Std ~ 16T	Std	16T	878-17682-60-00
4000ft ~ 8000ft	16T ~ 15T	Std	15T	878-17682-50-00
7000ft ~ Above	15T	31T	31T	878-47587-00-00

SERVICE LITERATURE

PUBLICATION	PART NUMBER	REMARKS
Owner's Manual	LIT-12628-00-61	
Service Manual	LIT-12618-00-61	Supp. to PZ480H (00-55)
Assembly Manual	LIT-12668-00-61	Supp. to Basic Assembly Manual (LIT-11666-00-52)

∅ = Does Not Apply To This Model

NA = Information Not Available

Property of www.SmallEngineDiscount.com - Not for Resale