



**YAMAHA**

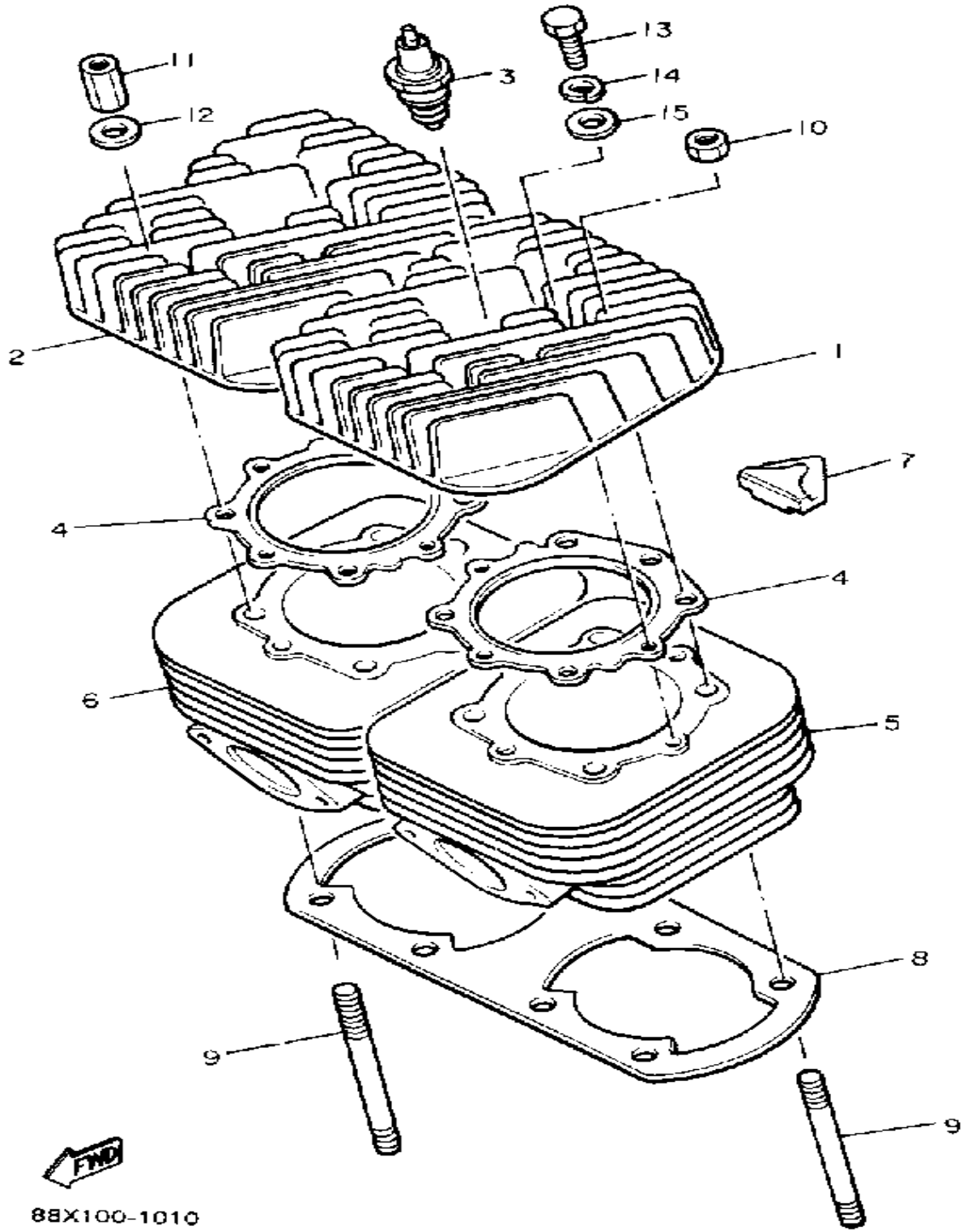
**GENUINE**

**PARTS CATALOGUE**

**SNOWMOBILE**

Property of [www.SmallEngineDiscount.com](http://www.SmallEngineDiscount.com) - Not for Resale

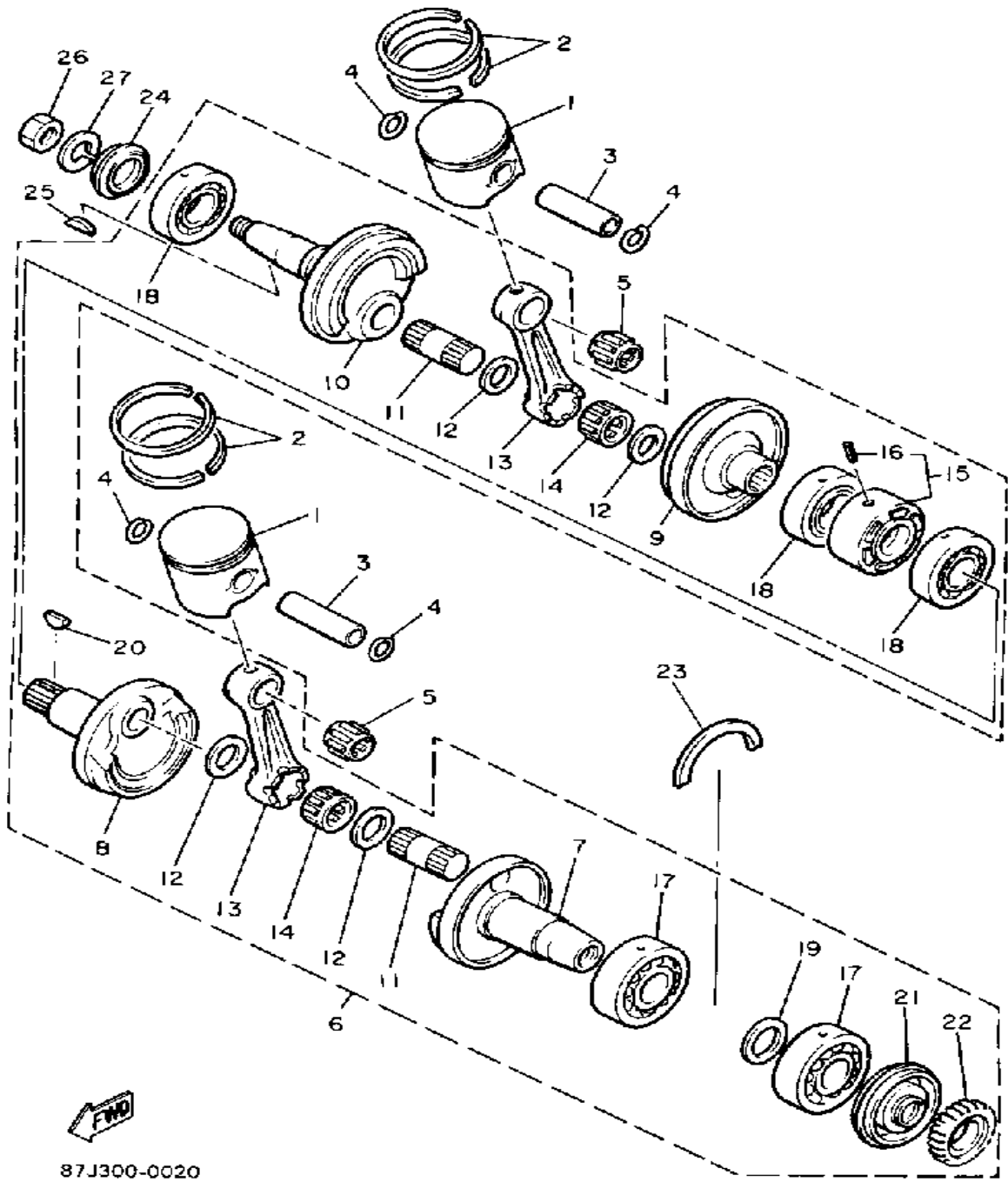
# CYLINDER



Ref. No.	Part Number	Description	Qty	Remarks
1	8V0-11111-01-00	HEAD, CYLINDER 1 .....	1	
2	8V0-11121-01-00	HEAD, CYLINDER 2 .....	1	
3	NGK-BR9ES-00-00	PLUG, SPARK .....	2	
4	87F-11181-00-00	GASKET, CYLINDER HEAD 1 .	2	
5	8V0-11311-01-00	CYLINDER 1 .....	1	
6	8V0-11321-01-00	CYLINDER 2 .....	1	
7	8V0-11355-00-00	SEAL, CYLINDER 1 .....	1	
8	88F-11351-00-00	GASKET, CYLINDER .....	1	
9	95612-08740-00	BOLT, STUD .....	8	
10	95701-08500-00	NUT, FLANGE .....	6	
11	90179-08269-00	NUT .....	2	
12	90201-08100-00	WASHER, PLATE .....	2	
13	97313-06040-00	BOLT, HEXAGON .....	8	
14	92995-06100-00	WASHER, SPRING .....	8	
15	92990-06600-00	WASHER, PLATE .....	8	

Property of [www.SmallEngineDiscount.com](http://www.SmallEngineDiscount.com) - Not for Resale

# CRANKSHAFT - PISTON

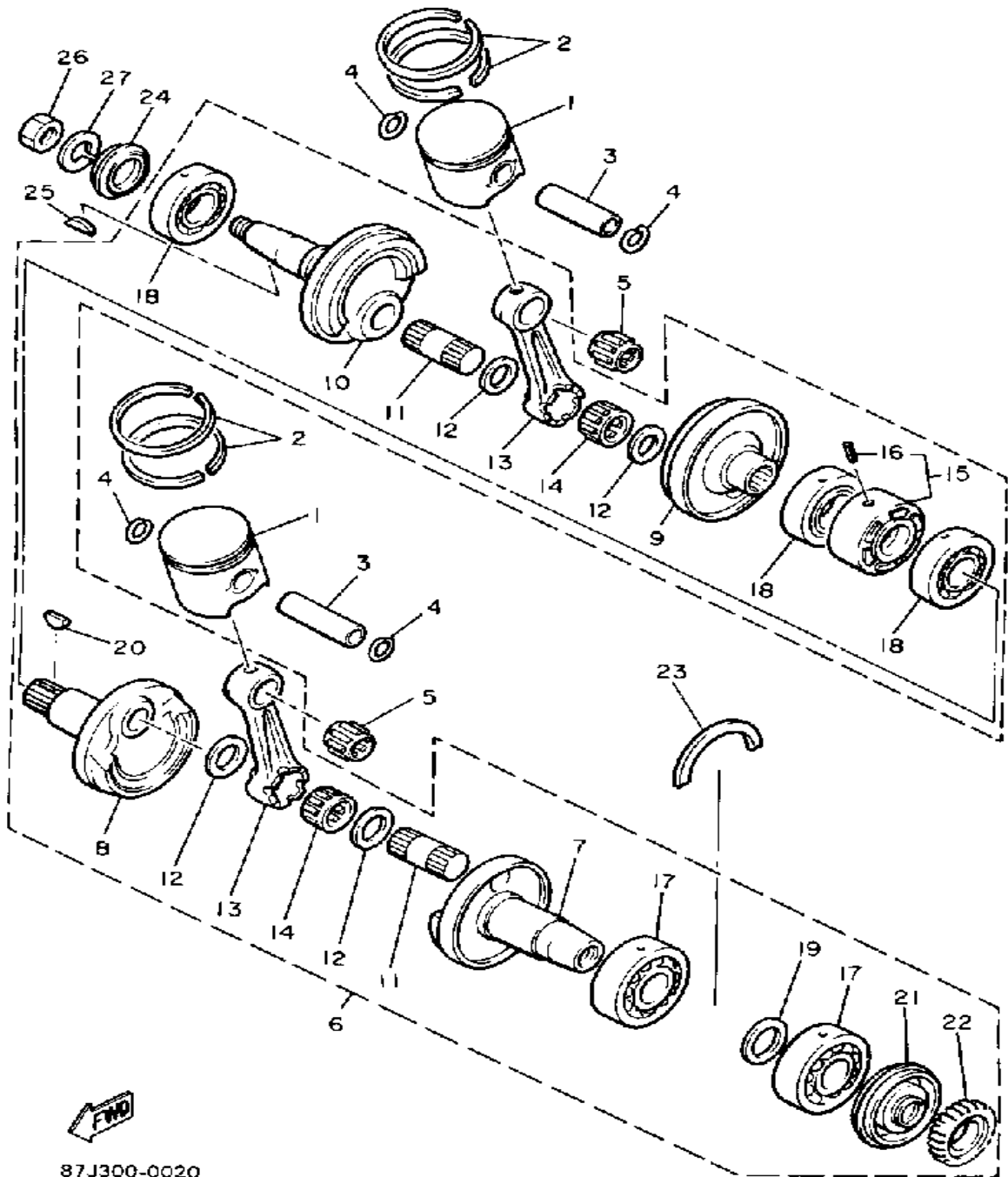


Ref. No.	Part Number	Description	Qty	Remarks
1	8V0-11631-00-96	PISTON (STD)	2	UR
	8V0-11635-00-00	PISTON (0.25MM O/S)	2	AP
	8V0-11636-00-00	PISTON (0.50MM O/S)	2	AP
2	8V0-11601-00-00	PISTON RING SET (STD)	2	UR STD
	8V0-11601-10-00	PISTON RING SET (0.25MM O/S)	2	AP
	8V0-11601-20-00	PISTON RING SET (0.50MM O/S)	2	AP
3	818-11633-00-00	PIN, PISTON	2	
4	93450-19052-00	CIRCLIP	4	
5	93310-218A6-00	BEARING	2	
6	8V0-11400-02-00	CRANKSHAFT ASSEMBLY	1	
7	8V0-11412-00-00	. CRANK 1	1	
8	8V0-11422-00-00	. CRANK 2	1	
9	8V0-11432-00-00	. CRANK 3	1	
10	8V0-11442-00-00	. CRANK 4	1	
11	857-11681-00-00	. PIN, CRANK 1	2	
12	90209-24073-00	. WASHER	4	
13	8V0-11651-00-00	. ROD, CONNECTING	2	
14	93310-424L8-00	. BEARING	2	
15	8V0-11515-01-00	. SEAL, LABYRINTH 1	1	
16	93603-10049-00	. PIN, DOWEL	1	
17	93306-30626-00	. BEARING	2	
18	93306-20633-00	. BEARING	3	
19	90201-327F7-00	. WASHER, PLATE	1	
20	90280-05014-00	. KEY, WOODRUFF	1	
21	93103-32151-00	. OIL SEAL	1	
22	8K2-13178-00-00	. GEAR, PUMP DRIVE	1	
23	93450-78091-00	CIRCLIP	1	

CONTINUED ON NEXT FRAME ►

Property of [www.SmallEngineDiscount.com](http://www.SmallEngineDiscount.com) - Not for Resale

# CRANKSHAFT - PISTON

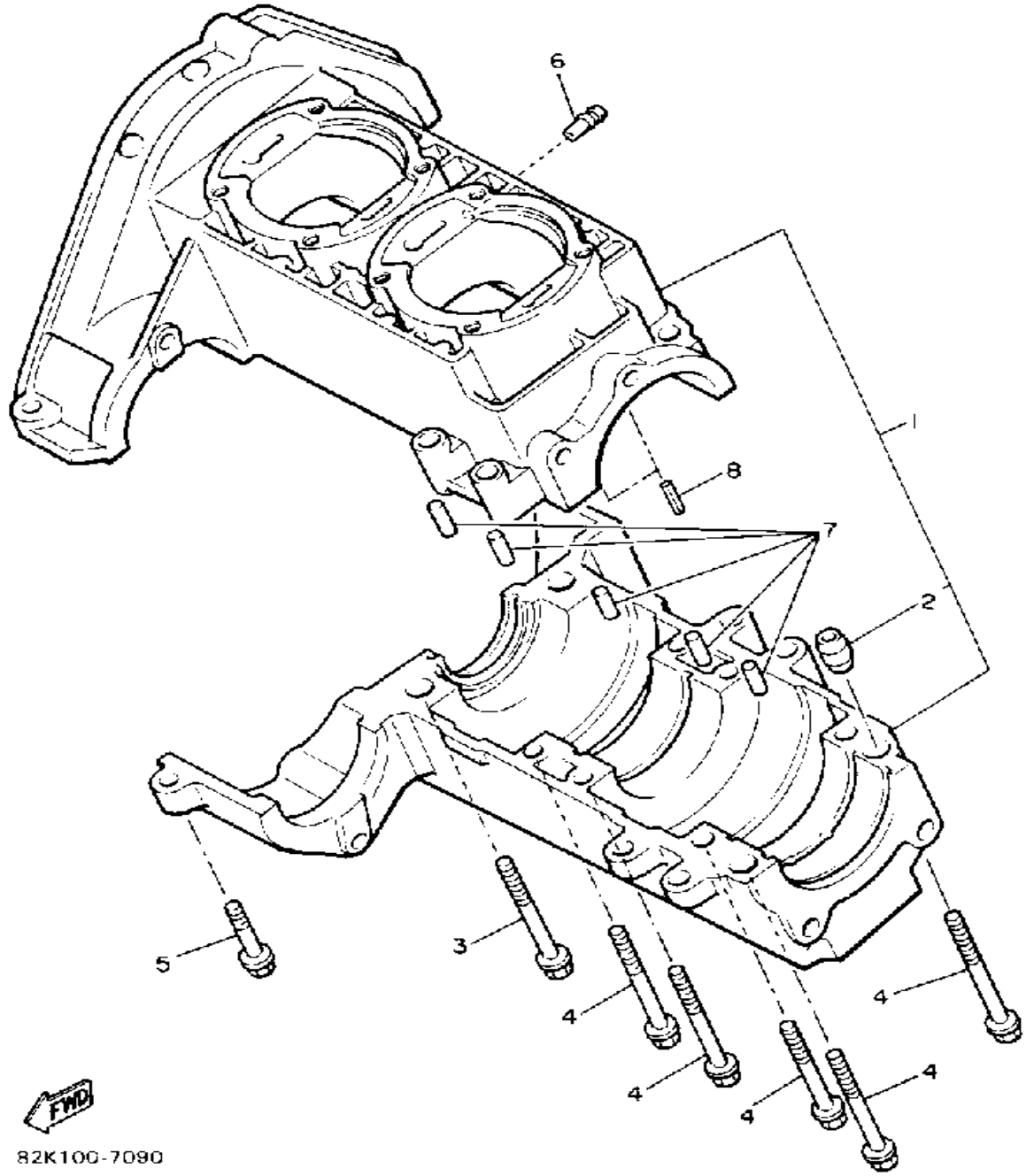


Ref. No.	Part Number	Description	Qty	Remarks
24	93103-32155-00	OIL SEAL .....	1	
25	90280-05014-00	KEY, WOODRUFF .....	1	
26	90170-16182-00	NUT .....	1	
27	92901-16100-00	WASHER, SPRING .....	1	

FWO  
87J300-0020

Property of www.SmallEngineDiscount.com - Not for Resale

# CRANKCASE

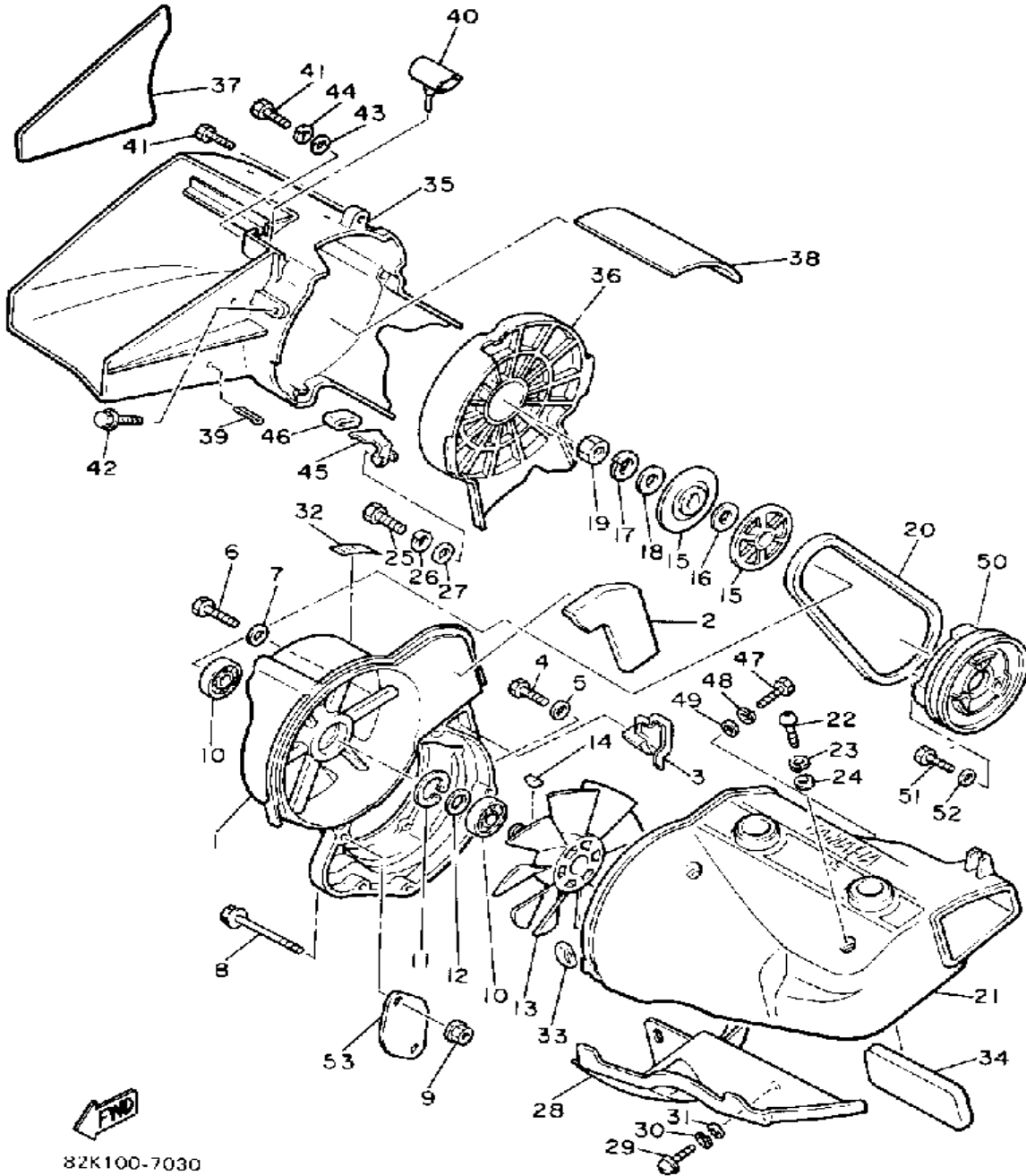


Ref. No.	Part Number	Description	Qty	Remarks
1	8V0-15100-01-00	CRANKCASE ASSEMBLY	1	
2	99510-12016-00	. PIN, DOWEL	2	
3	95811-08070-00	BOLT, FLANGE	1	
4	95811-08065-00	BOLT, FLANGE	9	
5	95811-06025-00	BOLT, FLANGE	1	
6	J38-11116-00-00	JOINT, BREATHER	1	
7	93604-07141-00	PIN, DOWEL	5	
8	91609-30006-00	PIN, SPRING	2	

**FWD**  
82K100-7090

Property of [www.SmallEngineDiscount.com](http://www.SmallEngineDiscount.com) - Not for Resale

# AIR SHROUD - FAN

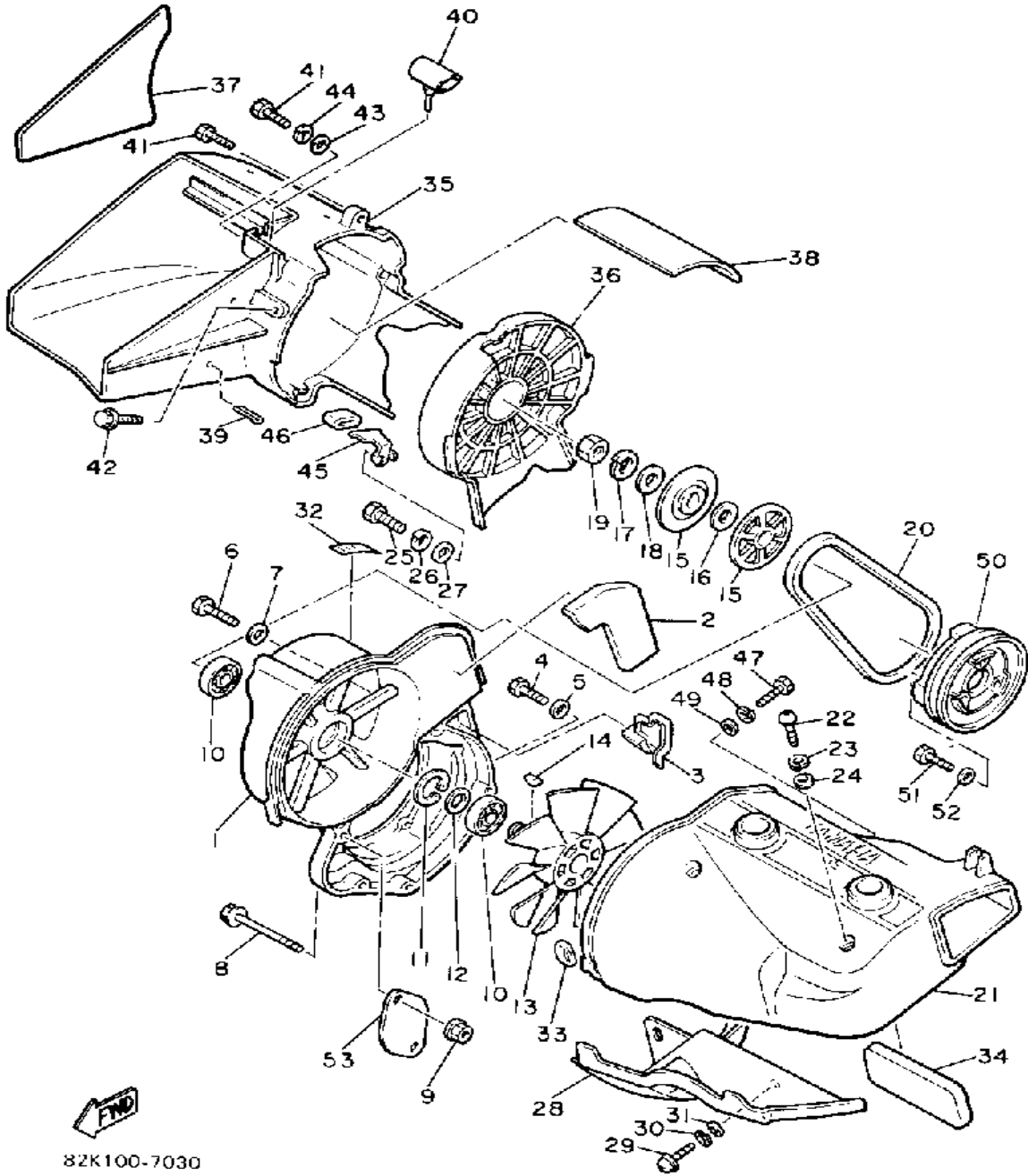


Ref. No.	Part Number	Description	Qty	Remarks
1	88F-12621-01-00	CASE, FAN	1	
2	8Y0-12679-00-00	DAMPER, SHROUD 6	1	
3	80L-12658-01-00	DAMPER, AIR SHROUD 1	1	
4	97022-08035-00	BOLT	2	
5	92990-08600-00	WASHER, PLATE	2	
6	97022-08050-00	BOLT	1	
7	92990-08600-00	WASHER, PLATE	1	
8	95811-08090-00	BOLT, FLANGE (95822-08090)	2	
9	95701-08500-00	NUT, FLANGE	2	
10	93306-20331-00	BEARING	2	
11	93420-40064-00	CIRCLIP	1	
12	90201-17713-00	WASHER, PLATE	1	
13	8H8-12611-01-00	FAN	1	
14	90280-05014-00	KEY, WOODRUFF	1	
15	8H8-12619-01-00	PULLEY 2	2	
16	90214-17017-00	WASHER, CLAW (0.5T)	1	
	90214-17018-00	WASHER, CLAW (1.0T)	1	
17	92901-16100-00	WASHER, SPRING	1	
18	90201-17713-00	WASHER, PLATE	1	
19	90170-16182-00	NUT	1	
20	8V0-12612-00-00	BELT	1	
21	8V0-12651-02-00	AIR SHROUD, CYLINDER 1	1	
22	98506-06016-00	SCREW, PANHEAD	2	
23	92906-06100-00	WASHER, SPRING	2	
24	92906-06600-00	WASHER	2	
25	97016-06016-00	BOLT	1	
26	92906-06100-00	WASHER, SPRING	1	
27	92906-06600-00	WASHER	1	
28	8V0-12652-00-00	AIR SHROUD, CYLINDER 2	1	

CONTINUED ON NEXT FRAME ►

Property of [www.SmallEngineDiscount.com](http://www.SmallEngineDiscount.com) - Not for Resale

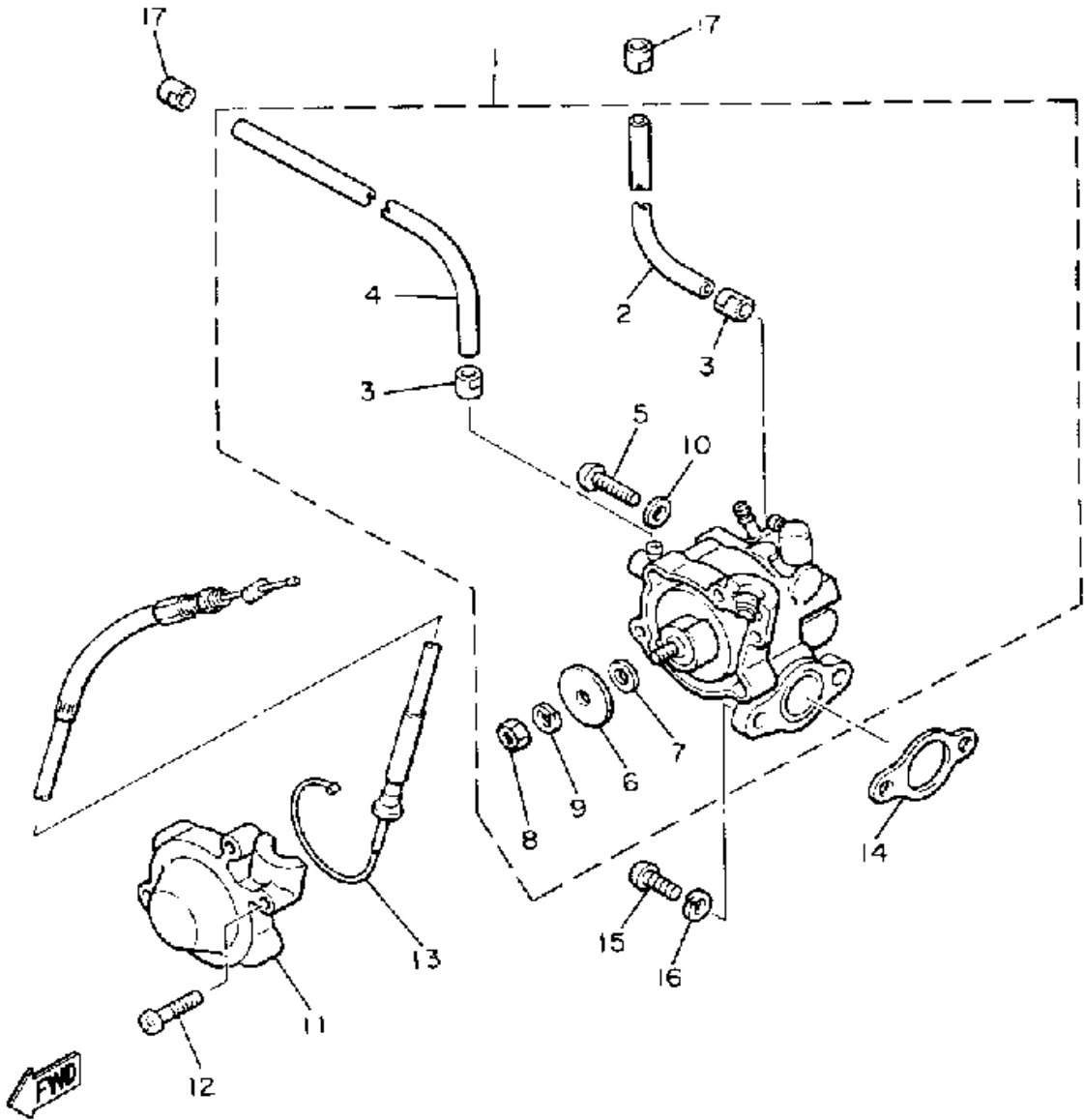
# AIR SHROUD - FAN



Ref. No.	Part Number	Description	Qty	Remarks
29	98506-06016-00	SCREW, PANHEAD	2	
30	92906-06100-00	WASHER, SPRING	2	
31	92906-06600-00	WASHER	2	
32	8K4-12628-00-00	LABEL, CAUTION	1	
33	8H8-12658-00-00	DAMPER, AIR SHROUD 1	2	
34	34L-14425-00-00	DAMPER AIR SHROUD 2	1	
35	8V0-12661-04-00	DUCT	1	
36	80L-12616-00-00	COVER, FAN CASE	1	
37	8V0-12685-01-00	DAMPER, DUCT 2	1	
38	8V0-12686-00-00	DAMPER, DUCT 3	1	
39	91401-16030-00	PIN, COTTER	6	
40	81H-12667-00-00	BUSH, RUBBER	1	
41	90110-06138-00	BOLT, HEX SKT HEAD	3	
42	90105-06434-00	BOLT, WASHER BASED	1	
43	90201-06643-00	WASHER, PLATE	4	
44	92906-06100-00	WASHER, SPRING	3	
45	8V0-12637-00-00	STAY 1	1	
46	8H8-12658-00-00	DAMPER, AIR SHROUD 1	1	
47	97016-06016-00	BOLT	1	
48	92906-06100-00	WASHER, SPRING	1	
49	92906-06600-00	WASHER	1	
50	8V0-15723-00-00	PULLEY, STARTER	1	
51	97011-08025-00	BOLT	3	
52	92990-08600-00	WASHER, PLATE	3	
53	8K4-12633-00-00	PLATE	1	

Property of [www.SmallEngineDiscount.com](http://www.SmallEngineDiscount.com) - Not for Resale

# OIL PUMP



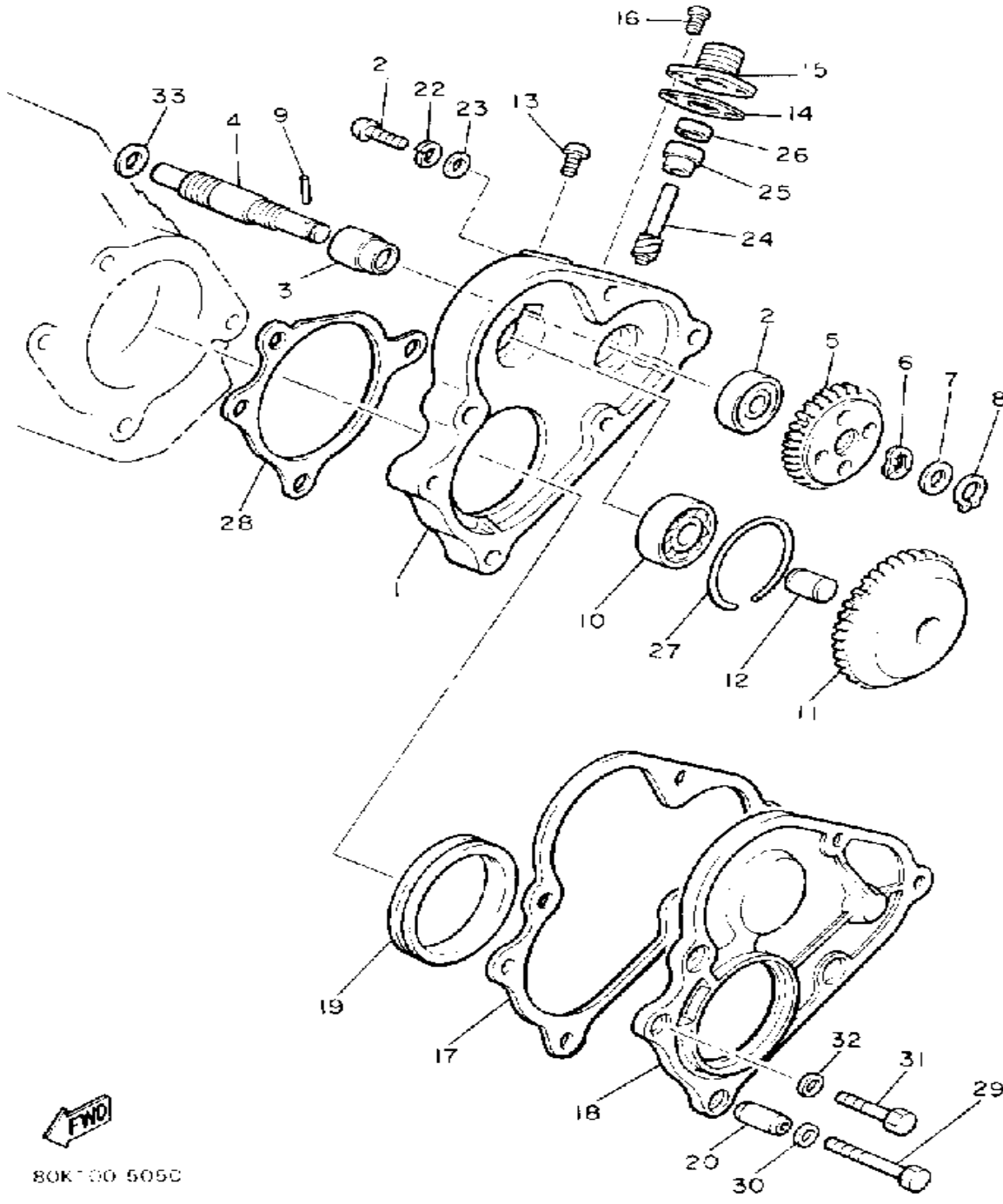
BOK100-5040

Ref. No.	Part Number	Description	Qty	Remarks
1	8V0-13101-01-00	OIL PUMP ASSEMBLY	1	
2	90446-08210-00	. HOSE	1	
3	90468-02025-00	. CLIP	2	
4	91A30-03020-00	. TUBE, FLEXIBLE VINYL	1	
5	98902-04020-00	. SCREW, BIND	1	
6	137-13138-01-00	. PLATE, ADJUSTING	1	
7	137-13137-00-03	. SHIM (0.3T)	1	
	137-13137-00-05	. SHIM (0.5T)	1	
	137-13137-00-10	. SHIM (1.0T)	1	
8	95380-05600-00	. NUT	1	
9	92990-05100-00	. WASHER, SPRING	1	
10	90430-04004-00	. GASKET	1	
11	8A5-13146-01-00	COVER, ADJUST PULLEY	1	
12	98506-04018-00	SCREW, PAN HEAD	3	
13	8V0-26320-01-00	PUMP CABLE ASSEMBLY	1	
14	3MT-13116-00-00	GASKET, PUMP CASE (8Y0-13116-00)	1	
15	98580-05016-00	SCREW, PAN HEAD	2	
16	92990-05100-00	WASHER, SPRING	2	
17	90468-02025-00	CLIP	2	

Property of [www.SmallEngineDiscount.com](http://www.SmallEngineDiscount.com) - Not for Resale



# PUMP DRIVE GEAR



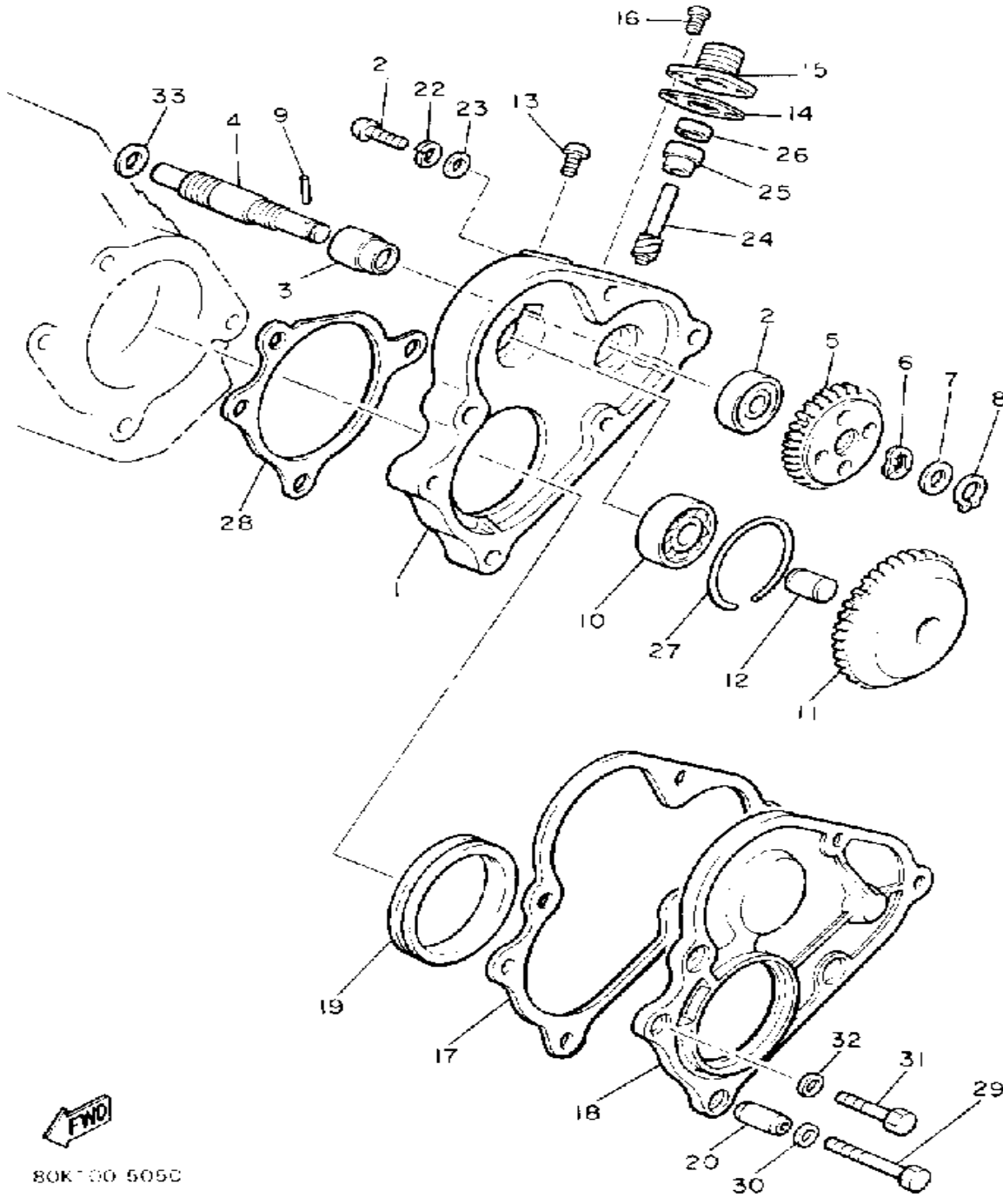
Ref. No.	Part Number	Description	Qty	Remarks
1	8V0-15416-01-00	COVER, OIL PUMP	1	
2	93101-10090-00	OIL SEAL	1	
3	821-13176-00-00	METAL, WORM SHAFT OUTER	1	
4	879-13175-00-00	SHAFT, WORM	1	
5	821-13188-00-00	GEAR, DRIVE (32T)	1	
6	90206-11016-00	WASHER, WAVE	1	
7	137-13148-00-00	PLATE, CAM THRUST	1	
8	99009-10400-00	CIRCLIP	1	
9	93603-22028-00	PIN, DOWEL	1	
10	93306-00003-00	BEARING (B6000RS)	1	
11	8V0-13179-00-00	GEAR, IDLE	1	
12	8V0-13342-00-00	SHAFT, IDLE GEAR	1	
13	98580-06012-00	SCREW, PAN HEAD	1	
14	821-17818-02-00	GASKET	1	
15	821-17819-00-00	CAP, HOUSING	1	
16	90157-05095-00	SCREW, PAN HEAD	2	
17	8V0-15466-02-00	GASKET 2	1	
18	8V0-15426-01-00	COVER, OIL PUMP 2	1	
19	93104-52079-00	OIL SEAL	1	
20	91810-18022-00	PIN, DOWEL	2	
21	98511-05020-00	SCREW, PAN HEAD	2	
22	92990-05100-00	WASHER, SPRING	2	
23	92901-05600-00	WASHER, PLATE	2	
24	813-17841-00-00	GEAR, DRIVEN (10T)	1	
25	821-17843-00-00	BUSH, DRIVEN GEAR OUTER	1	
26	93104-06033-00	OIL SEAL	1	
27	93450-28098-00	CIRCLIP	1	
28	8V0-15456-03-00	GASKET, OIL PUMP COVER 1	1	
29	97013-06035-00	BOLT	2	

FWO  
80K700 5050

CONTINUED ON NEXT FRAME ➤

Property of [www.SmallEngineDiscount.com](http://www.SmallEngineDiscount.com) - Not for Resale

# PUMP DRIVE GEAR

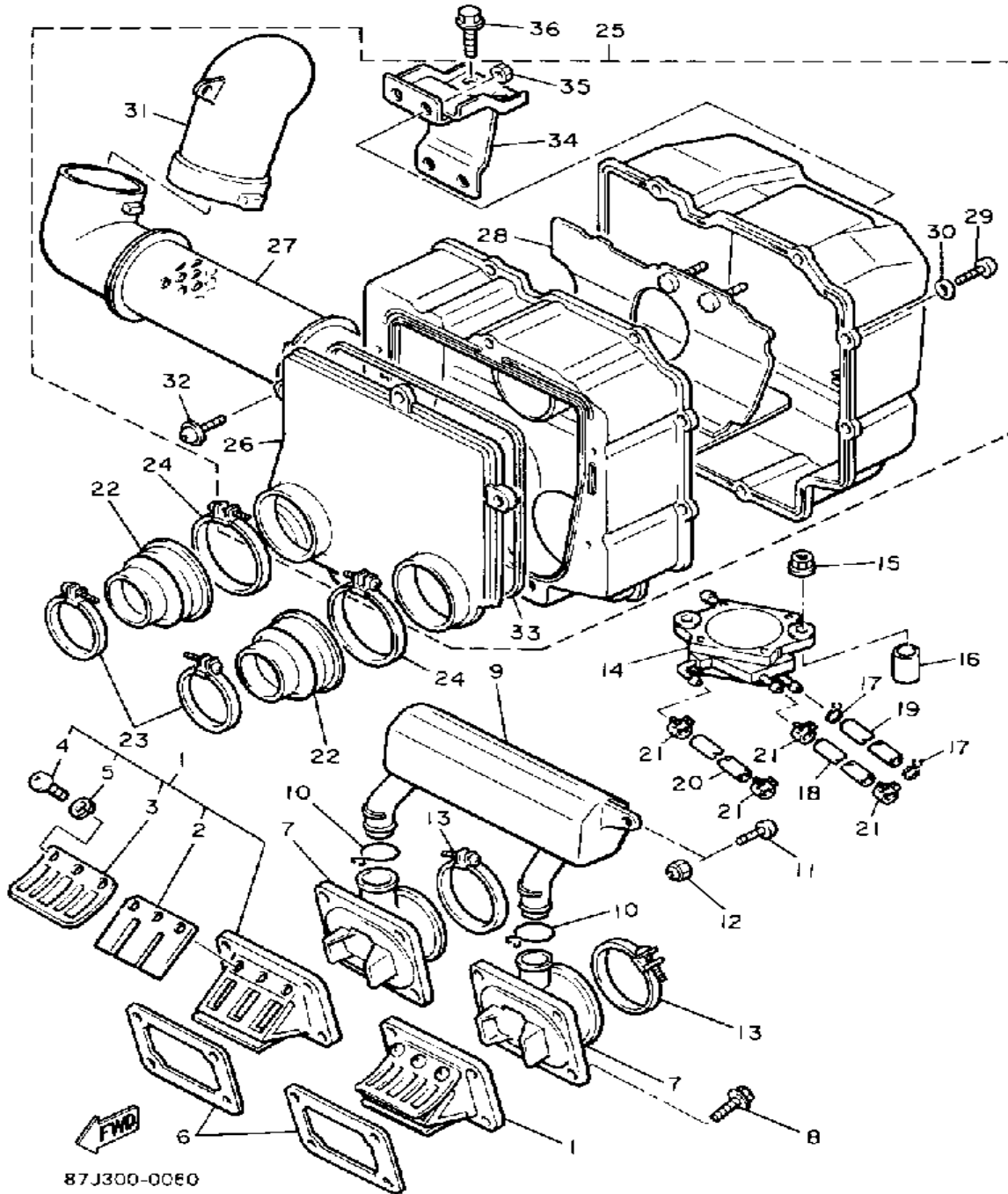


Ref. No.	Part Number	Description	Qty	Remarks
30	92990-06600-00	WASHER, PLATE .....	2	
31	97022-06025-00	BOLT .....	2	
32	92990-06600-00	WASHER, PLATE .....	2	
33	90201-08624-00	WASHER, PLATE .....	1	

FWO  
80K700 5050

Property of [www.SmallEngineDiscount.com](http://www.SmallEngineDiscount.com) - Not for Resale

# AIR CLEANER

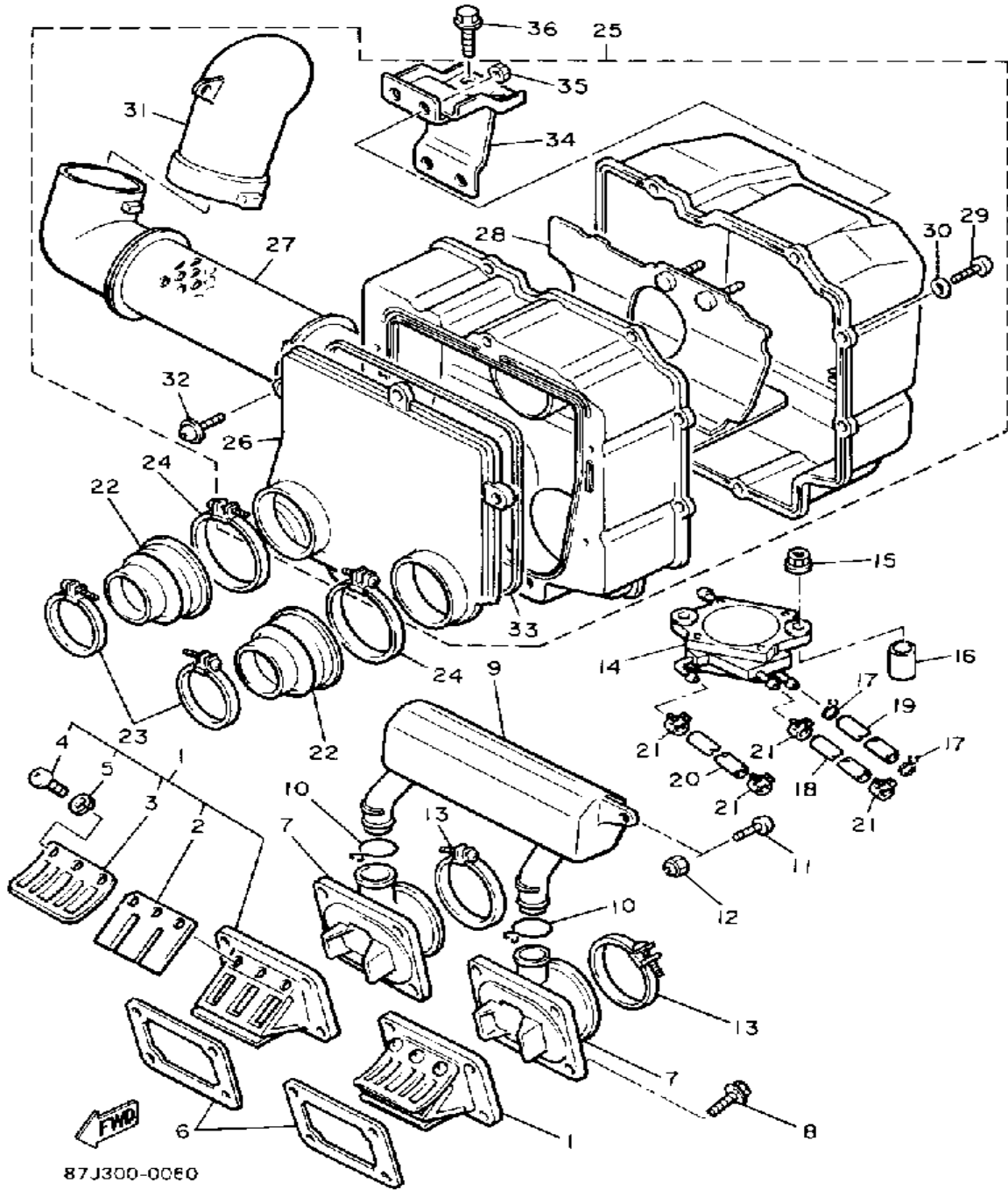


Ref. No.	Part Number	Description	Qty	Remarks
1	3R5-13610-00-00	REED VALVE ASSEMBLY	2	
2	1RX-13613-00-00	. REED, VALVE	2	
3	1RX-13616-00-00	. STOPPER, REED VALVE	2	
4	98580-03008-00	. SCREW, PAN HEAD	6	
5	92990-03100-00	. WASHER, SPRING (92901-03100)	6	
6	80L-13621-01-00	GASKET, VALVE SEAT	2	
7	8V0-13555-00-00	MANIFOLD, INTAKE	2	
8	95811-06025-00	BOLT, FLANGE	8	
9	8V0-13581-00-00	CHAMBER, AIR	1	
10	90467-24096-00	CLIP	2	
11	90154-05005-00	SCREW, BINDING	1	
12	95706-05300-00	NUT, nylon	1	
13	86M-13575-00-00	BAND	2	
14	87F-24410-00-00	FUEL PUMP ASSEMBLY	1	
15	95701-06500-00	NUT, FLANGE	2	
16	90387-063W4-00	COLLAR	2	
17	90467-09006-00	CLIP	2	
18	90446-09329-00	HOSE	1	
19	91A20-05036-00	TUBE, FLEXIBLE	1	
20	90445-10141-00	HOSE	1	
21	90467-09026-00	CLIP	4	
22	8V0-14453-00-00	JOINT, AIR CLEANER 1	2	
23	90460-68230-00	CLAMP, HOSE	2	
24	90460-81224-00	CLAMP, HOSE	2	
25	8V0-14440-01-00	SILENCER ASSEMBLY, INTAKE	1	
26	8V0-14412-01-00	. CAP, CLEANER CASE 1	1	
27	8V0-14465-00-00	. PIPE	1	
28	8V0-14484-00-00	. PLATE, CLEANER CASE FITTING	1	

CONTINUED ON NEXT FRAME ➤

Property of [www.SmallEngineDiscount.com](http://www.SmallEngineDiscount.com) - Not for Resale

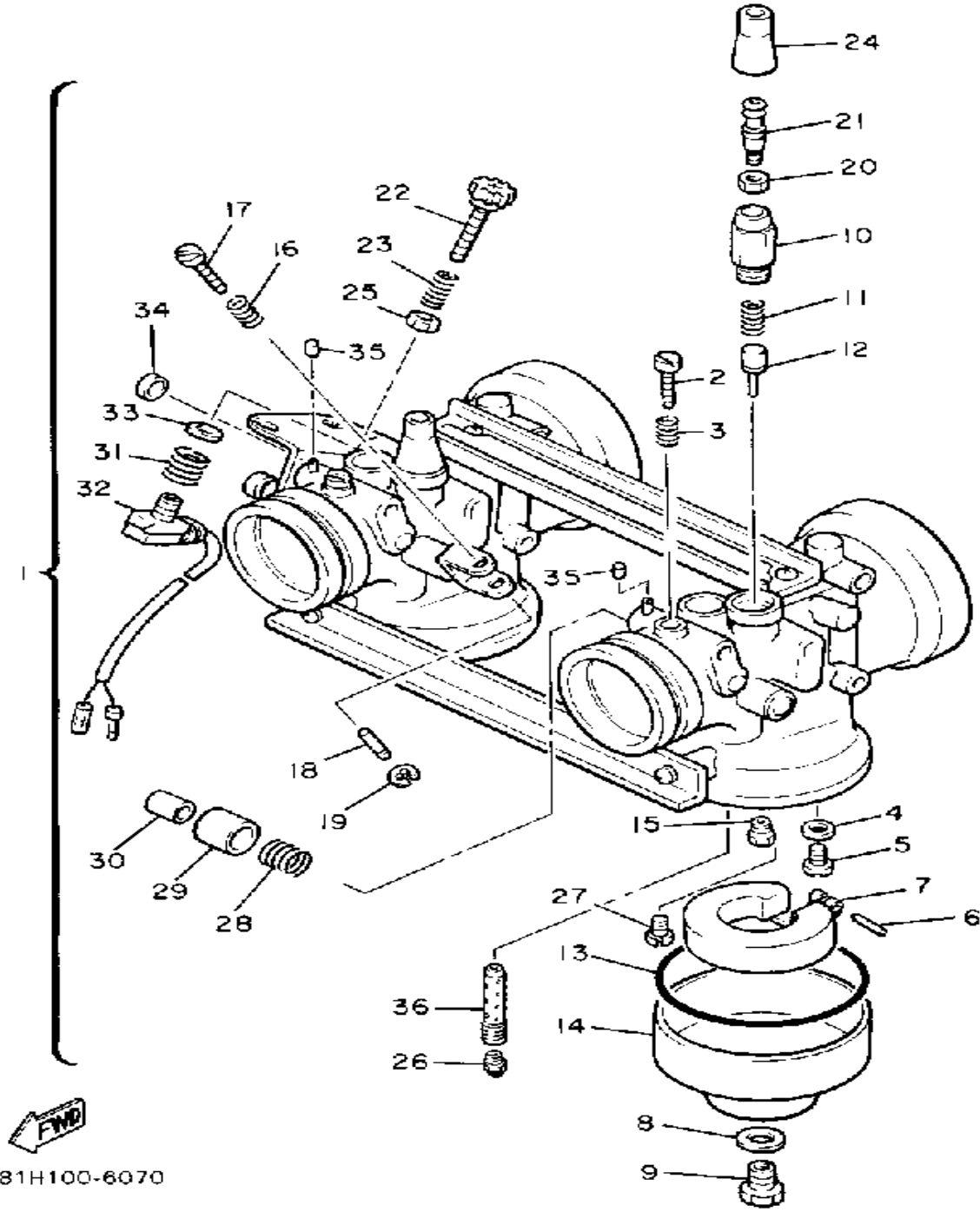
# AIR CLEANER



Ref. No.	Part Number	Description	Qty	Remarks
29	98586-05016-00	. SCREW, PAN HEAD	7	
30	92906-05600-00	. WASHER, PLATE	7	
31	8V0-14454-00-00	. JOINT	1	
32	90159-05122-00	. SCREW, WITH WASHER	7	
33	8V0-14452-00-00	. SEAL	1	
34	8V0-14494-00-00	. STAY 2	1	
35	95380-06600-00	. NUT	3	
36	95811-06012-00	BOLT, FLANGE	2	

Property of [www.SmallEngineDiscount.com](http://www.SmallEngineDiscount.com) - Not for Resale

# CARBURETOR



81H100-6070

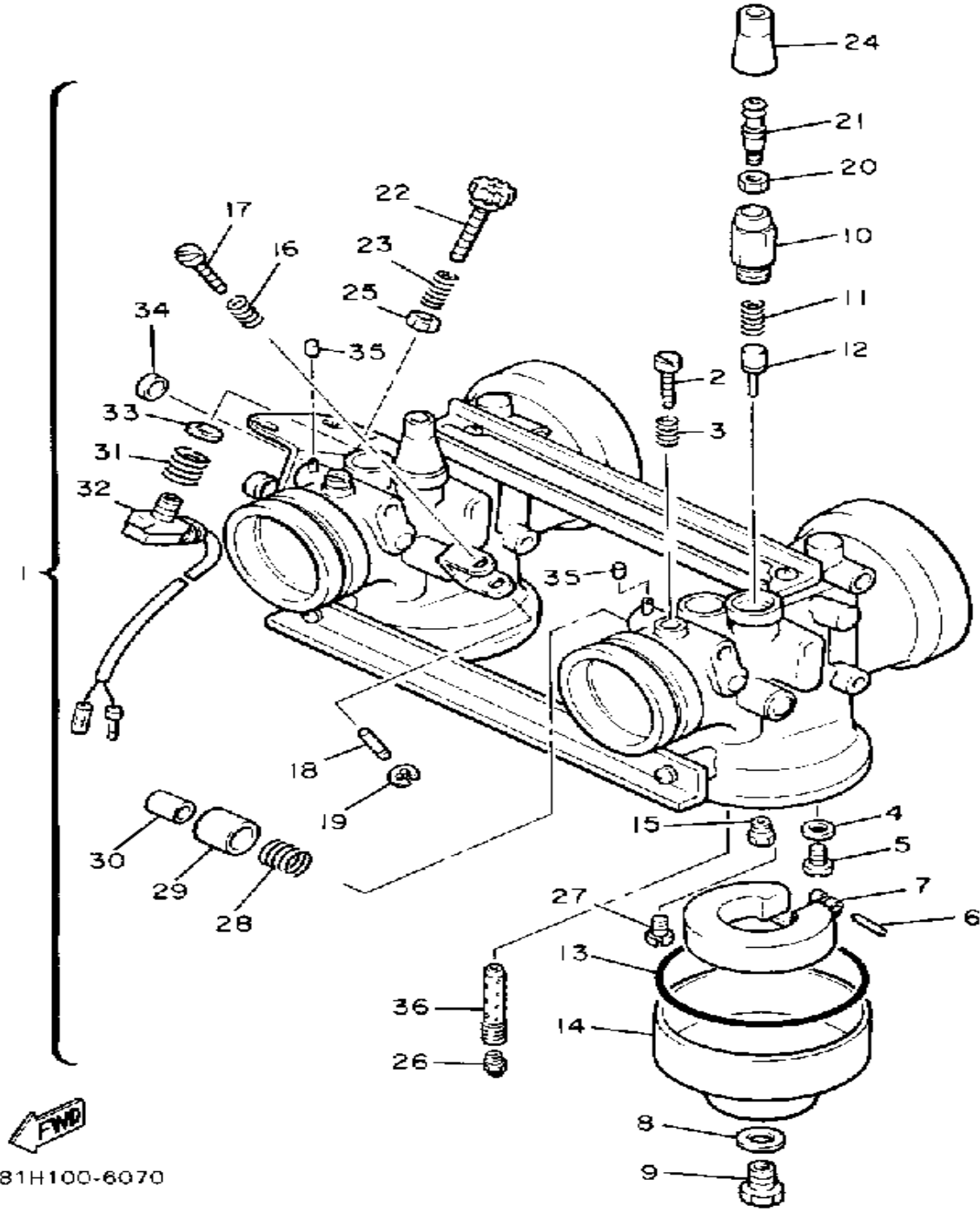
Ref. No.	Part Number	Description	Qty	Remarks
1	80L-14100-03-00	CARBURETOR ASSEMBLY ...	1	
2	620-14211-00-00	. SCREW, PILOT ADJUSTING	2	
3	8V0-14212-00-00	. SPRING, PILOT ADJUSTING	2	
4	214-14195-00-00	. WASHER, NEEDLE VALVE	2	
5	168-14190-15-00	. NEEDLE VALVE ASSEMBLY	2	
6	8M6-14186-00-00	. PIN, FLOAT	2	
7	8M6-14185-00-00	. FLOAT	2	
8	286-14198-00-00	. GASKET	2	
9	8M6-14261-00-00	. HOLDER	2	
10	8G8-14174-00-00	. CAP, PLUNGER	2	
11	127-14135-00-00	. SPRING, PLUNGER	2	
12	8G8-14171-00-00	. PLUNGER, STARTER	2	
13	8M6-14126-00-00	. GASKET	2	
14	8M6-14181-00-00	. BODY, FLOAT CHAMBER 1	2	
15	193-14142-95-00	. JET, PILOT (# 95)	2	
16	3F7-14133-00-00	. SPRING, THROTTLE STOP	1	
17	12R-1490K-00-00	. STOP SCREW SET	1	
18	584-14992-00-00	. ROD	1	
19	256-14937-00-00	. CLIP	1	
20	802-14161-00-00	. NUT, CABLE ADJUSTING	2	
21	12G-14106-00-00	. CABLE ADJUST SCREW SET	2	
22	80L-14122-00-00	. SCREW, THROTTLE	1	
23	8X0-14500-00-00	. SPRING	1	
24	8A7-14169-00-00	. CAP	2	
25	8V0-14358-00-00	. NUT	2	
26	3G2-14231-27-00	. JET, MAIN (#135)	2	UR
	3G2-14231-28-00	. JET, MAIN (#140)	2	UR
	3G2-14231-30-A0	. JET, MAIN (#150)	2	UR
	3G2-1423A-75-A1	. JET, MAIN (#122.5) (3G2-14231-75-00) (#122.5)	2	UR

CONTINUED ON NEXT FRAME ➤

Property of [www.SmallEngineDiscount.com](http://www.SmallEngineDiscount.com) - Not for Resale

# CARBURETOR

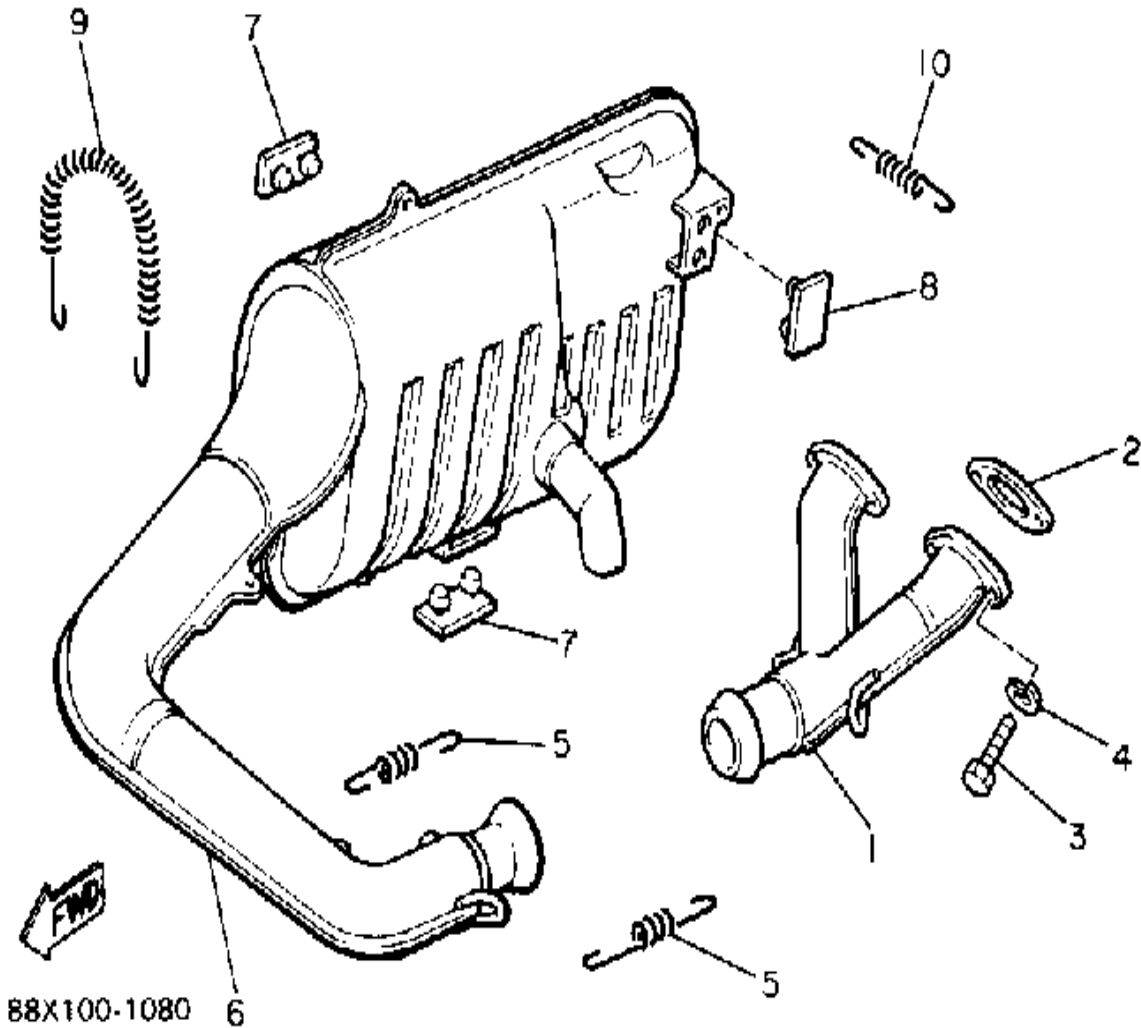
Ref. No.	Part Number	Description	Qty	Remarks
26	3G2-1423A-76-00	. JET, MAIN (#127.5)	2	UR
	3G2-1423A-77-A1	. JET, MAIN (#132.5) (3G2-1423A-77-00)	2	UR
	3G2-1423A-78-00	. JET, MAIN (#137.5)	2	UR
	3G2-1423E-57-00	. JET, MAIN (#143.8)	2	UR STD
27	8V0-14118-00-00	. CAP	4	
28	80L-14932-00-00	. SPRING, THROTTLE 2	1	
29	80L-14534-00-00	. COLLAR	2	
30	80L-14535-00-00	. COLLAR	4	
31	8X0-14133-00-00	. SPRING, THROTTLE STOP	1	
32	87S-8259A-00-00	. SWITCH, CARBURETOR	1	
33	22F-14117-00-00	. WASHER, PLUG SCREW	1	
34	80L-14264-00-00	. COLLAR	1	
35	895-14169-00-00	. CAP	2	
36	8Y2-14941-3A-00	. NOZZLE, MAIN	2	



81H100-6070

Property of [www.SmallEngineDiscount.com](http://www.SmallEngineDiscount.com) - Not for Resale

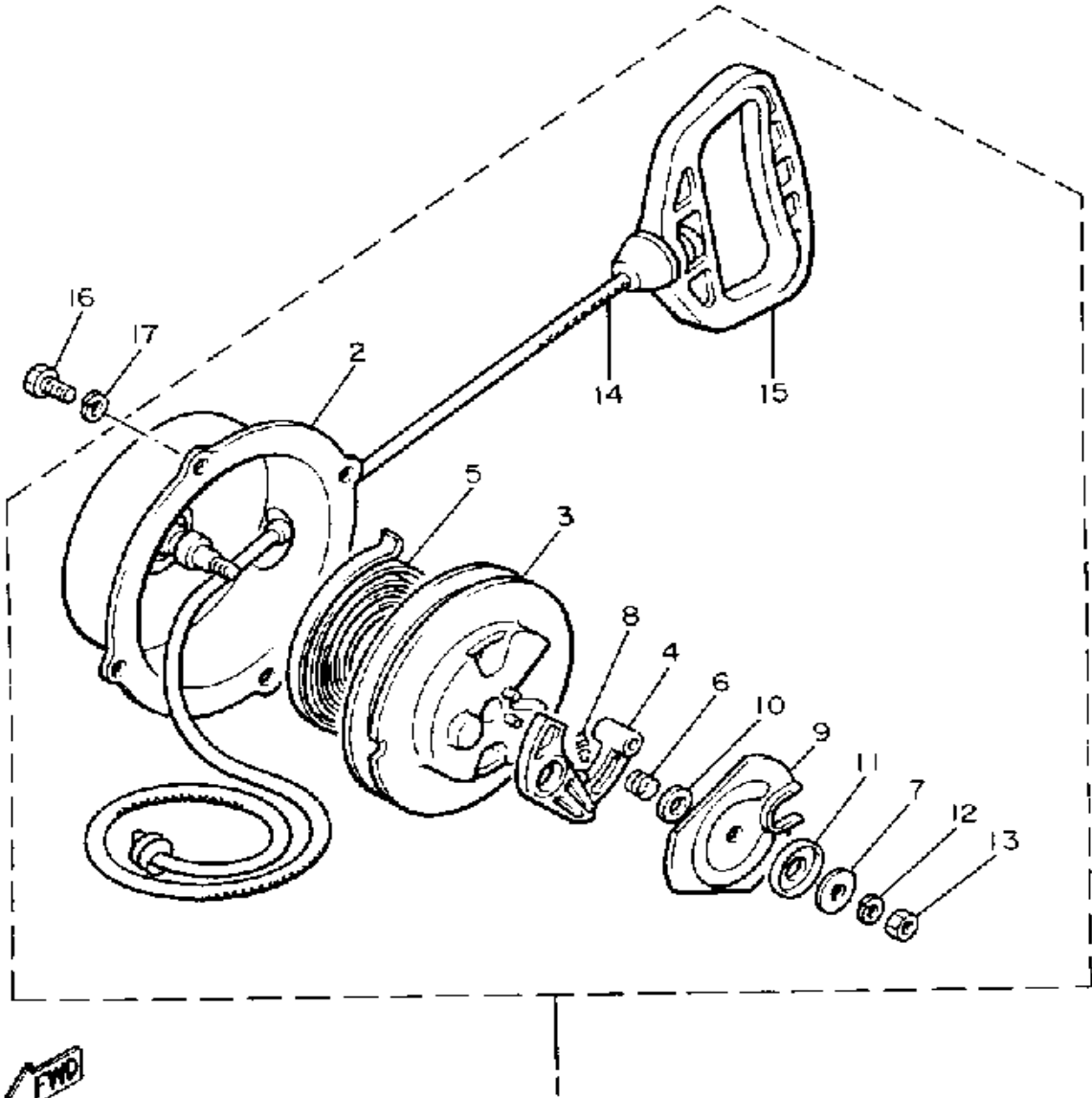
# EXHAUST



Ref. No.	Part Number	Description	Qty	Remarks
1	8V0-14610-00-00	EXHAUST PIPE ASSEMBLY 1	1	
2	821-14613-01-00	GASKET, EXHAUST PIPE	2	
3	97313-08020-00	BOLT, HEXAGON	4	
4	92990-08100-00	WASHER	4	
5	90506-20272-00	SPRING, TENSION	2	
6	8V0-14710-04-00	MUFFLER ASSEMBLY 1	1	
7	8A5-14728-02-00	PROTECTOR, MUFFLER 2	2	
8	88F-14728-00-00	PROTECTOR, MUFFLER 2	2	
9	90506-14207-00	SPRING, TENSION	1	
10	90506-16350-00	SPRING, TENSION	1	

Property of [www.SmallEngineDiscount.com](http://www.SmallEngineDiscount.com) - Not for Resale

# STARTER



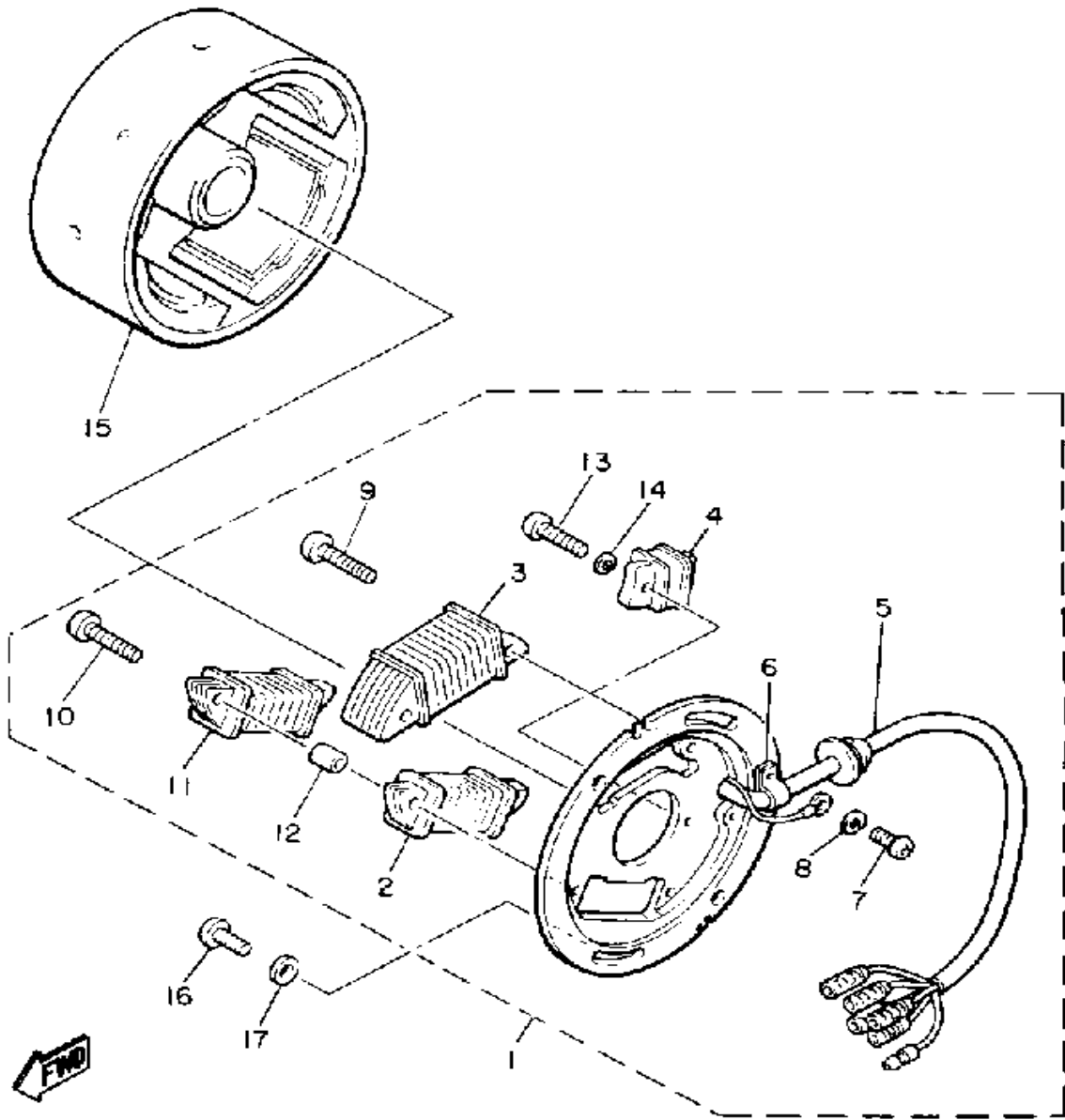
8X9100-4101

Ref. No.	Part Number	Description	Qty	Remarks
1	8V0-15710-00-00	STARTER ASSEMBLY	1	
2	8V0-15711-00-00	. CASE, STARTER	1	
3	8F3-15714-01-00	. DRUM, SHEAVE	1	
4	8F3-15741-01-00	. PAWL, DRIVE	1	
5	8F3-15713-01-00	. SPRING, STARTER	1	
6	8F3-15715-00-00	. SPRING, FRICTION	1	
7	8F3-15739-01-00	. WASHER, THRUST	1	
8	8F3-15734-00-00	. SPRING, RETURN	1	
9	8G5-15739-00-00	. WASHER, THRUST	1	
10	82M-15779-00-00	. COVER	1	
11	8F3-15716-03-00	. PLATE, DRIVE	1	
12	92995-06100-00	. WASHER, SPRING	1	
13	95380-06700-00	. NUT	1	
14	857-15751-00-00	. WIRE, STARTER	1	
15	8F3-15755-00-00	. HANDLE, STARTER	1	
16	97313-06014-00	BOLT, HEXAGON	4	
17	92995-06100-00	WASHER, SPRING	4	

Property of [www.SmallEngineDiscount.com](http://www.SmallEngineDiscount.com) - Not for Resale



# GENERATOR

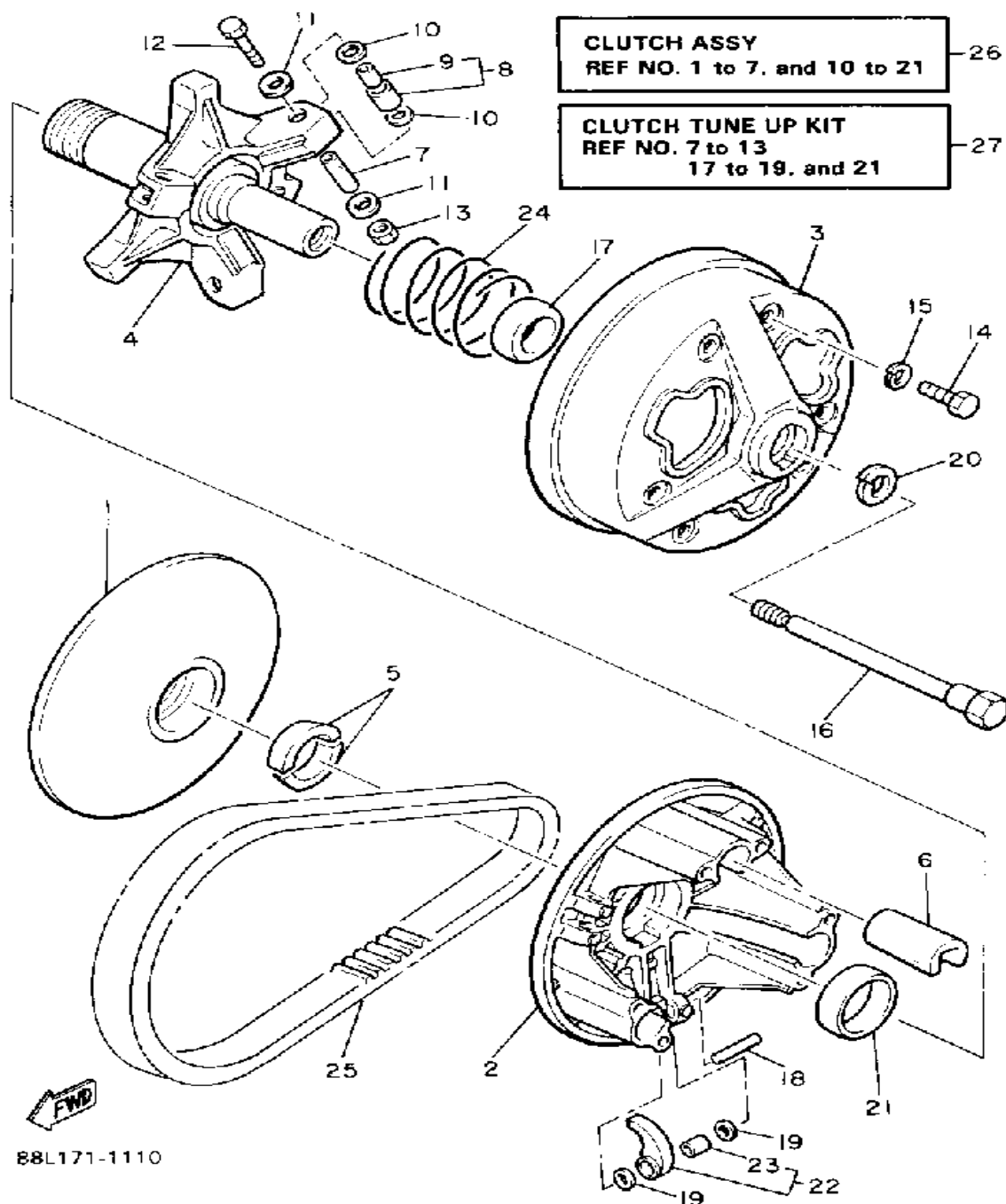


88X100-1320

Ref. No.	Part Number	Description	Qty	Remarks
1	88F-85510-00-00	STATOR ASSEMBLY	1	
2	86M-85511-00-00	. COIL, SOURCE	1	
3	8H8-85513-20-00	. COIL, LIGHTING 1	1	
4	82M-85580-20-00	. COIL, PULSER	1	
5	8W0-85515-20-00	. LEAD WIRE ASSEMBLY (8V0-85515-20)	1	
6	445-81328-20-00	. CLAMP	2	
7	98580-04008-00	. SCREW, PAN HEAD	1	
8	92901-04100-00	. WASHER, SPRING	1	
9	88T-81145-00-00	. SCREW 1	2	
10	88T-81146-00-00	. SCREW 2	2	
11	82M-85514-20-00	. COIL, LIGHTING 2	1	
12	8T0-85519-20-00	. SPACER	2	
13	98506-04018-00	. SCREW, PAN HEAD	2	
14	92901-04100-00	. WASHER, SPRING	2	
15	88F-85550-00-00	ROTOR ASSEMBLY	1	
16	98980-06016-00	SCREW, BINDING	2	
17	90201-06043-00	WASHER, PLATE	2	

Property of [www.SmallEngineDiscount.com](http://www.SmallEngineDiscount.com) - Not for Resale

# PRIMARY SHEAVE

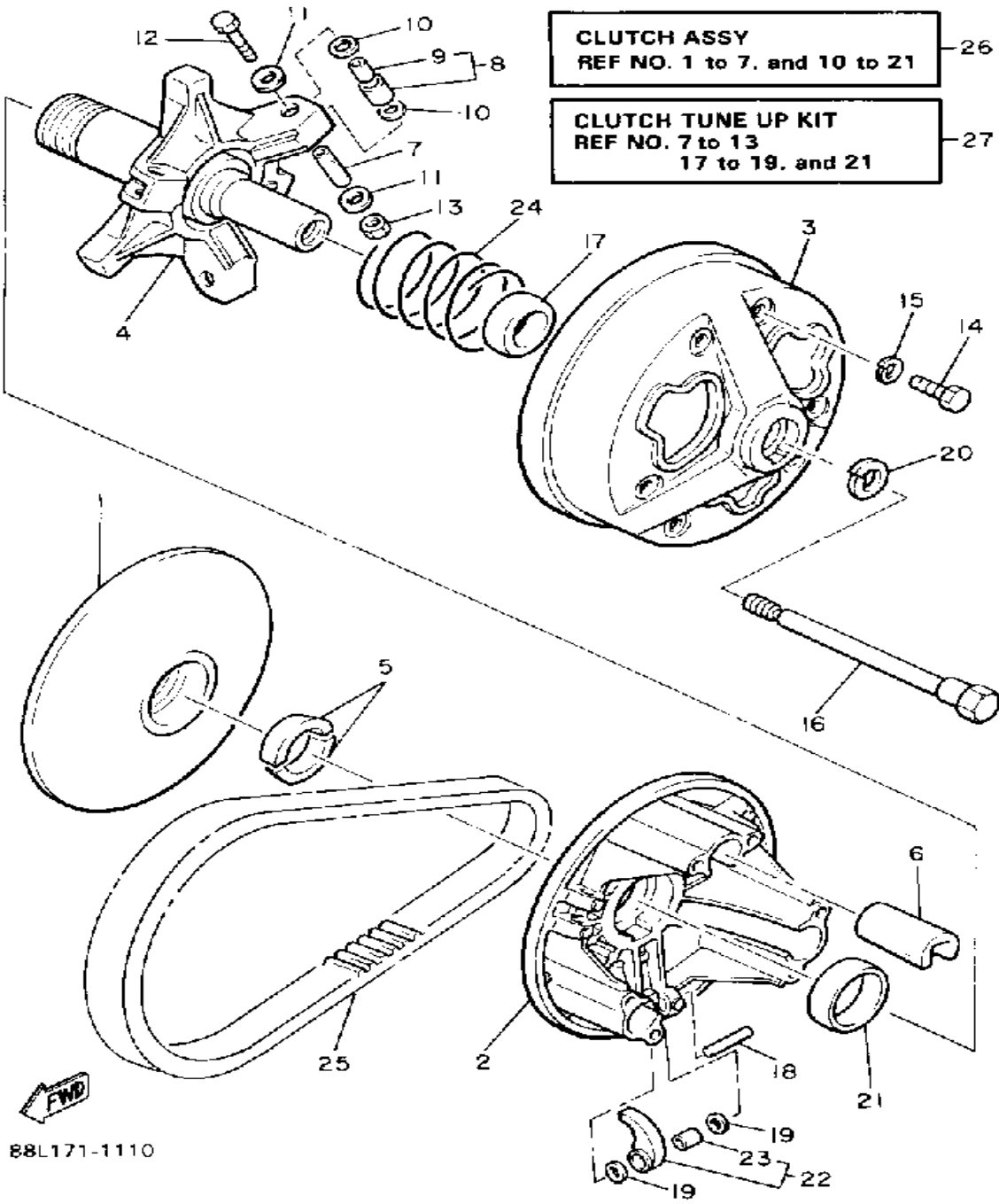


Ref. No.	Part Number	Description	Qty	Remarks
1	84J-17611-00-00	SHEAVE, PRIMARY FIXED ...	1	
2	8V0-17621-01-00	SHEAVE, PRIMARY SLIDING ..	1	
3	8V0-17631-00-00	CAP .....	1	
4	82M-17640-01-00	SPIDER, COMPLETE .....	1	
5	8V0-17639-00-00	STOPPER .....	2	
6	88X-17653-00-00	SLIDER .....	3	
7	90387-057W5-00	COLLAR .....	3	
8	87M-W176B-00-00	ROLLER, WITH BUSH .....	3	
9	90386-08166-00	. BUSH .....	1	
10	90202-08205-00	WASHER, PLATE .....	6	
11	90201-050P9-00	WASHER, PLATE .....	6	
12	97022-05035-00	BOLT .....	3	
13	95612-05100-00	NUT, U .....	3	
14	97012-06030-00	BOLT .....	6	
15	92995-06100-00	WASHER, SPRING .....	6	
16	8V0-17647-00-00	BOLT (L=156.5MM) .....	1	
17	90389-28032-00	BUSH .....	1	
18	93607-44190-00	PIN, DOWEL .....	3	
19	90201-077F5-00	WASHER, PLATE .....	6	
20	92901-16100-00	WASHER, SPRING .....	1	
21	90389-40029-00	BUSH .....	1	
22	87M-W176A-00-00	WEIGHT, WITH BUSH .....	3	UR STD
	8V0-W176A-00-00	WEIGHT, WITH BUSH .....	3	AP
23	90386-07152-00	. BUSH .....	1	AP
	90386-07174-00	. WEIGHT BUSH VESPEL .....	1	UR STD
24	90501-45534-00	SPRING, COMPRESSION .....	1	UR STD
	90501-55485-00	SPRING, COMPRESSION .....	1	AP
25	8F2-17641-01-00	V-BELT .....	1	
26	8V0-17601-19-00	CLUTCH MARKED .....	1	AP

CONTINUED ON NEXT FRAME ►

Property of [www.SmallEngineDiscount.com](http://www.SmallEngineDiscount.com) - Not for Resale

# PRIMARY SHEAVE

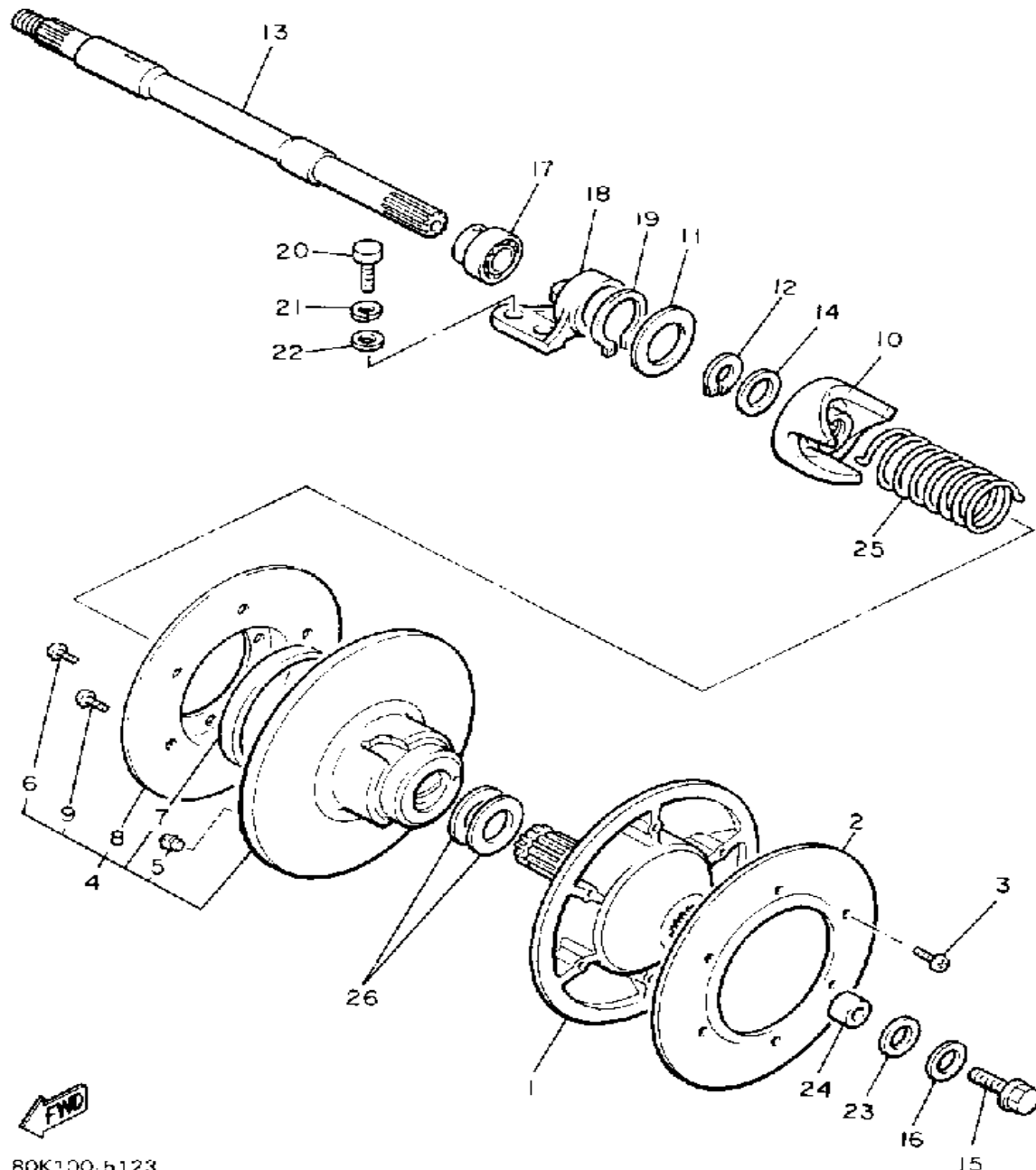


88L171-1110

Ref. No.	Part Number	Description	Qty	Remarks
27	89X-00000-50-00	CLUTCH TUNE-UP KIT (K) . . . .	1	AP

Property of [www.SmallEngineDiscount.com](http://www.SmallEngineDiscount.com) - Not for Resale

# SECONDARY SHEAVE



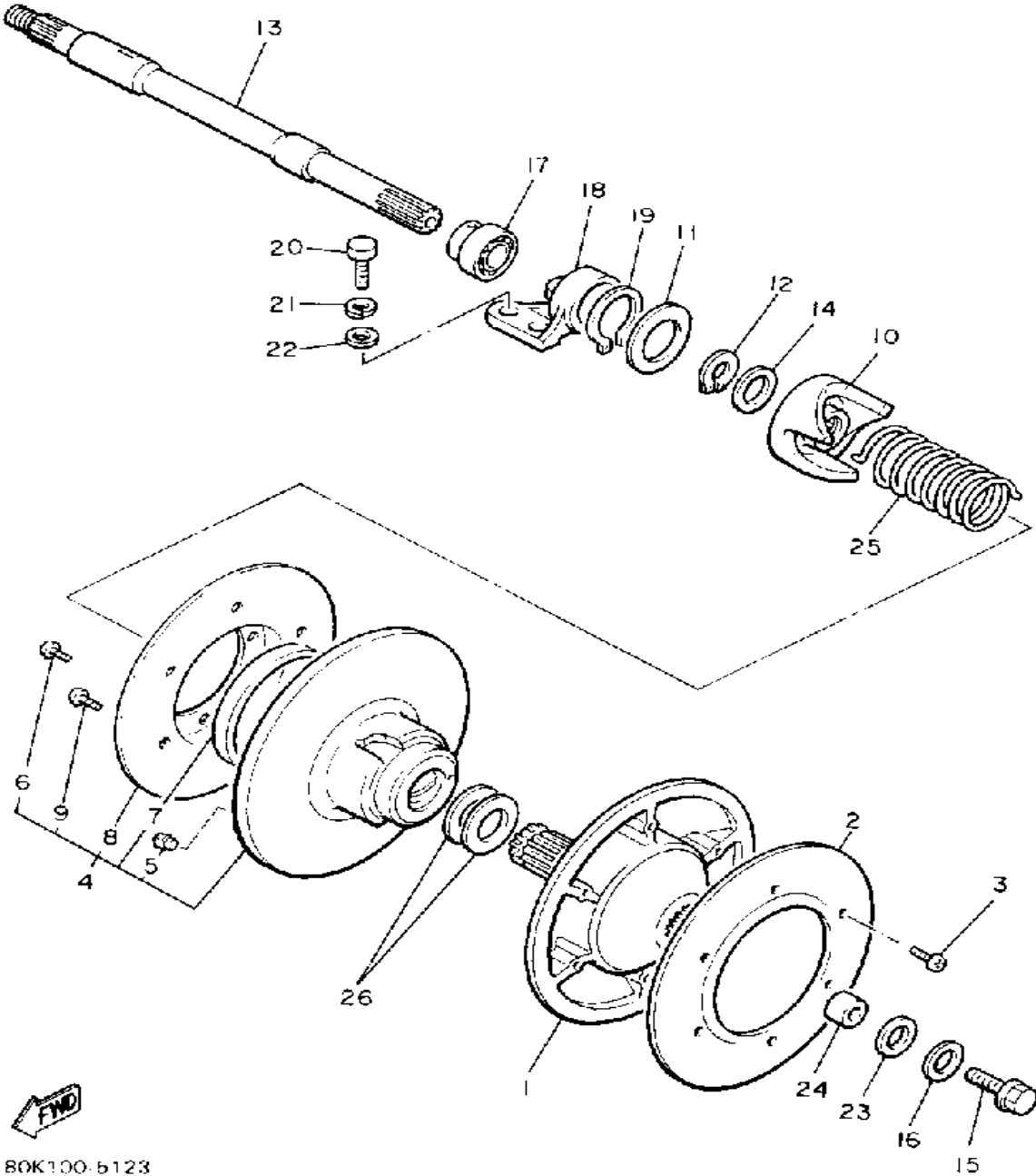
Ref. No.	Part Number	Description	Qty	Remarks
1	89N-17660-00-00	SECONDARY FIXED SHEAVE COMP. ....	1	
2	81H-17665-00-00	PLATE 1 ....	1	
3	90150-05022-00	SCREW ROUND HEAD ....	6	
4	81H-17670-00-00	SECONDARY SLIDING SHEAVE	1	
5	8X6-17688-00-00	. SHOE, RAMP ....	3	
6	90154-06036-00	. SCREW, BINDING ....	3	
7	90380-90117-00	. BUSH, SOLID ....	1	
8	81H-17675-00-00	. PLATE 2 ....	1	
9	90150-05022-00	. SCREW ROUND HEAD ....	6	
10	88N-17684-00-00	SEAT, SEC SPRING ....	1	
11	90201-34684-00	WASHER, PLATE ....	1	
12	93440-34170-00	CIRCLIP ....	1	
13	88F-17681-00-00	SHAFT, SECONDARY	1	
14	90201-252F1-00	WASHER, PLATE (T0.5) ....	1	UR
	90201-25526-00	WASHER, PLATE (T2.0) ....	1	UR
	90201-25527-00	WASHER, PLATE (T1.0) ....	1	UR
15	90105-14175-00	BOLT, WASHER BASED ....	1	
16	90201-140A6-00	WASHER, PLATE ....	1	
17	888-17678-00-00	BEARING ....	1	
18	8V0-47631-00-00	HOUSING, BEARING ....	1	
19	99009-52500-00	CIRCLIP ....	1	
20	97022-08022-00	BOLT (97027-08022-00) ....	4	
21	92990-08100-00	WASHER ....	4	
22	92990-08600-00	WASHER, PLATE ....	4	
23	90201-222F0-00	WASHER, PLATE (T0.5) ....	1	UR
	90201-225A4-00	WASHER, PLATE (T1.0) ....	1	UR
24	90387-147A8-00	COLLAR ....	1	
25	90508-50746-00	SPRING, TORSION ....	1	

CONTINUED ON NEXT FRAME ►

Property of [www.SmallEngineDiscount.com](http://www.SmallEngineDiscount.com) - Not for Resale

# SECONDARY SHEAVE

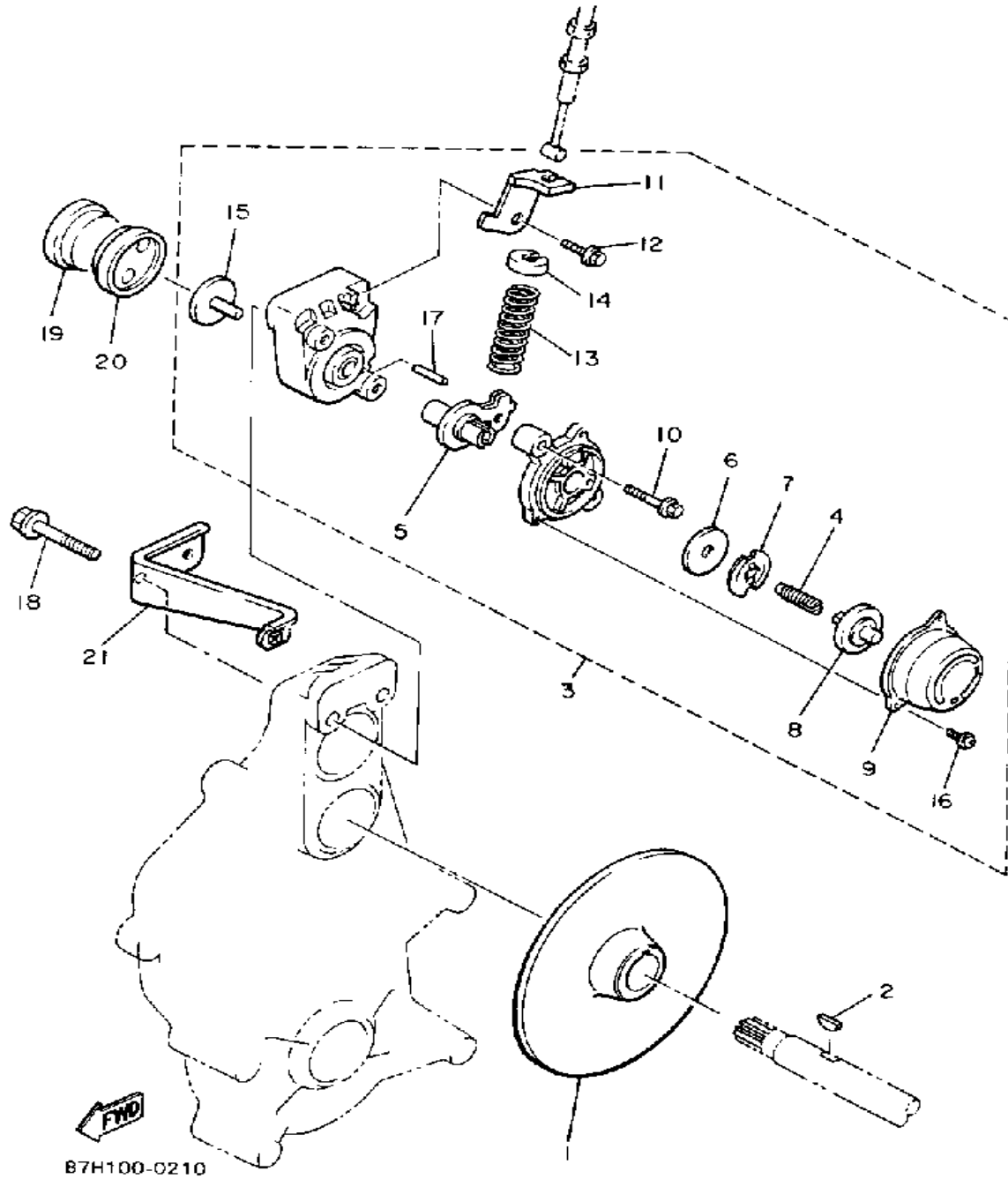
Ref. No.	Part Number	Description	Qty	Remarks
26	90201-345G2-00	WASHER, PLATE .....	2	



  
80K100-5123

Property of [www.SmallEngineDiscount.com](http://www.SmallEngineDiscount.com) - Not for Resale

# BRAKE



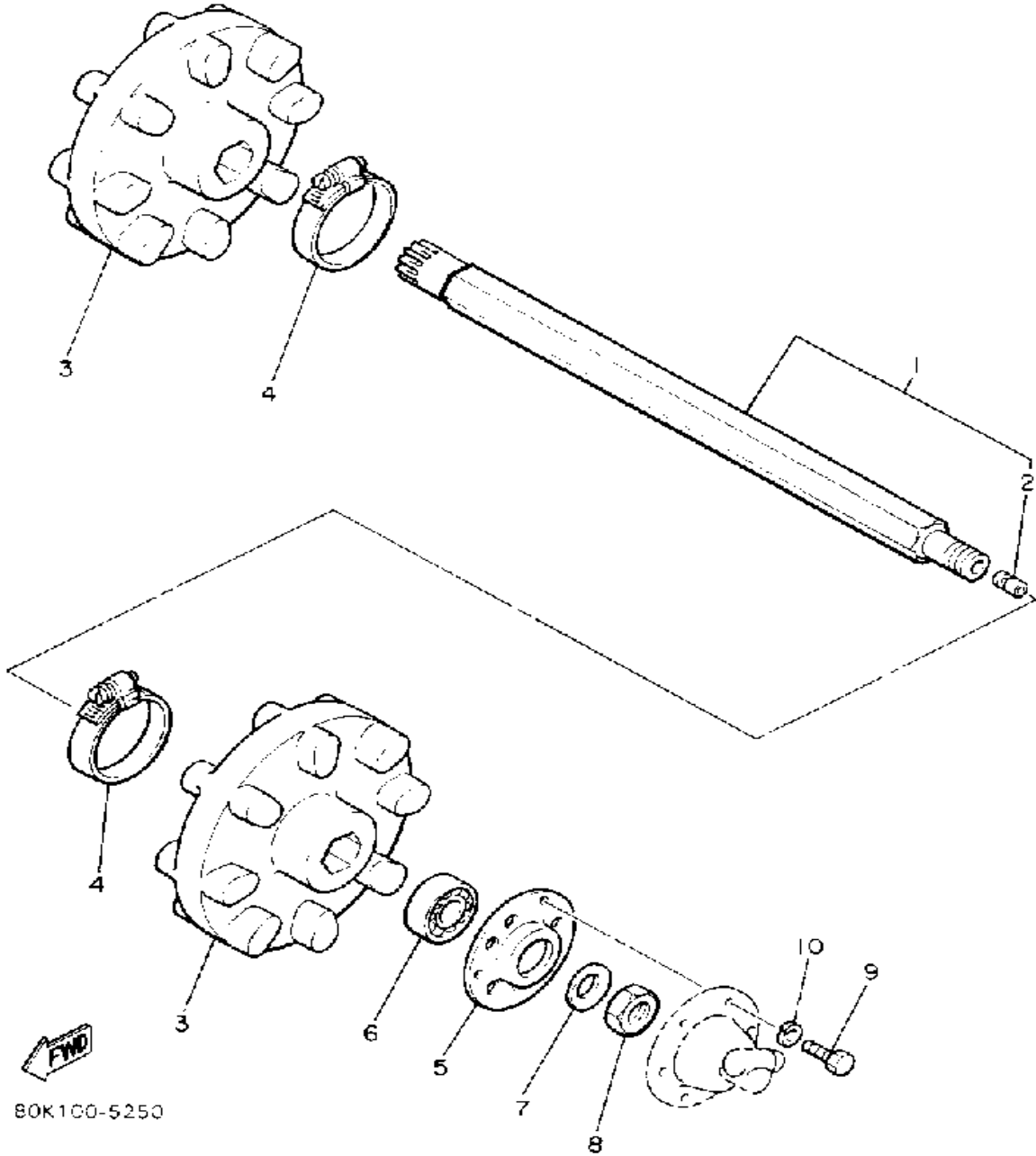
Ref. No.	Part Number	Description	Qty	Remarks
1	87F-25711-00-00	DISC, BRAKE	1	
2	8J7-25848-00-00	KEY	1	
3	86M-25730-01-00	CALIPER BODY COMP 1	1	
4	86M-25738-00-00	. SCREW, ADJUSTING 1	1	
5	86M-25726-01-00	. LEVER, BRAKE	1	
6	86M-25827-00-00	. SHIM, CALIPER	1	
7	86M-25773-00-00	. LOCK, ONE WAY 2	1	
8	86M-25771-00-00	. RATCHET, ADJUSTING	1	
9	86M-25772-00-00	. COVER	1	
10	86M-25818-00-00	. BOLT, CALIPER	2	
11	86M-25721-00-00	. BRACKET, CALIPER	1	
12	86M-25826-00-00	. BOLT 3	1	
13	86M-25743-00-00	. SPRING, COMPRESSION	1	
14	86M-25714-00-00	. STOPPER, SPRING	1	
15	86M-25733-00-00	. PLATE, BACK UP	1	
16	86M-25833-00-00	. BOLT, FITTING	2	
17	86M-25744-00-00	. PIN 2	1	
18	95811-10050-00	BOLT, FLANGE (95812-10050-00)	2	
19	86M-25811-08-00	PAD, CALIPER 2 (86M-25811-01-00)	1	
20	84X-25811-01-00	PAD, CALIPER 2	1	
21	87F-2193F-00-00	BRACKET, OIL TANK 2	1	

Property of [www.SmallEngineDiscount.com](http://www.SmallEngineDiscount.com) - Not for Resale

**B10**

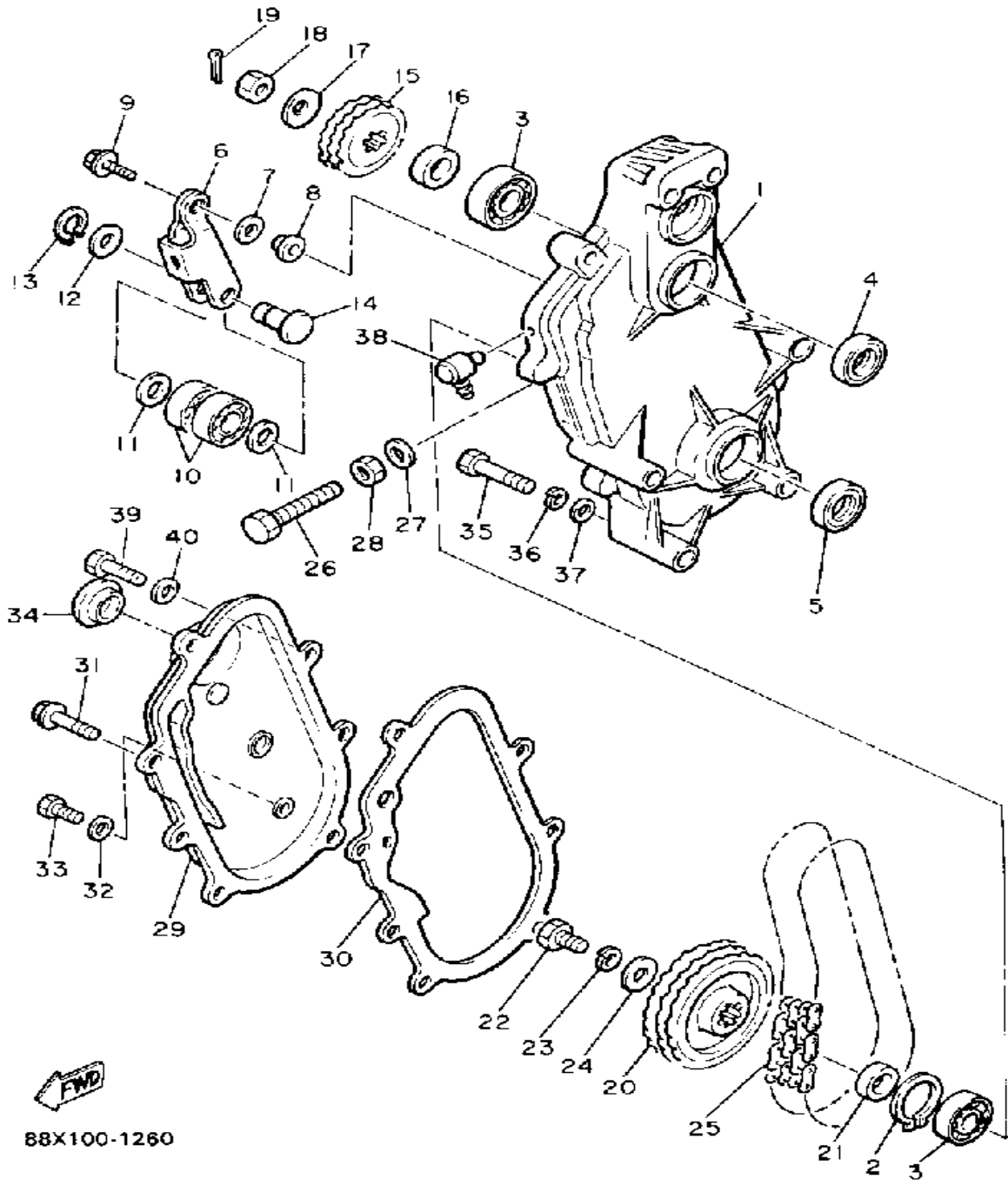
# TRACK DRIVE 1

Ref. No.	Part Number	Description	Qty	Remarks
1	88F-W4751-00-00	AXLE, FRONT .....	1	
2	8K4-47577-00-00	. CONNECTOR .....	1	
3	8J7-47531-01-00	WHEEL, SPROCKET 1 .....	2	
4	90460-50079-00	CLAMP, HOSE .....	2	
5	8K4-47551-00-00	HOUSING, FRONT AXLE .....	1	
6	93306-00420-00	BEARING (B6004) .....	1	
7	90208-22001-00	WASHER, CONICAL SPRING ..	1	
8	90170-22094-00	NUT .....	1	
9	97011-08016-00	BOLT .....	3	
10	92990-08100-00	WASHER .....	3	



Property of [www.SmallEngineDiscount.com](http://www.SmallEngineDiscount.com) - Not for Resale

# TRACK DRIVE 2



88X100-1260

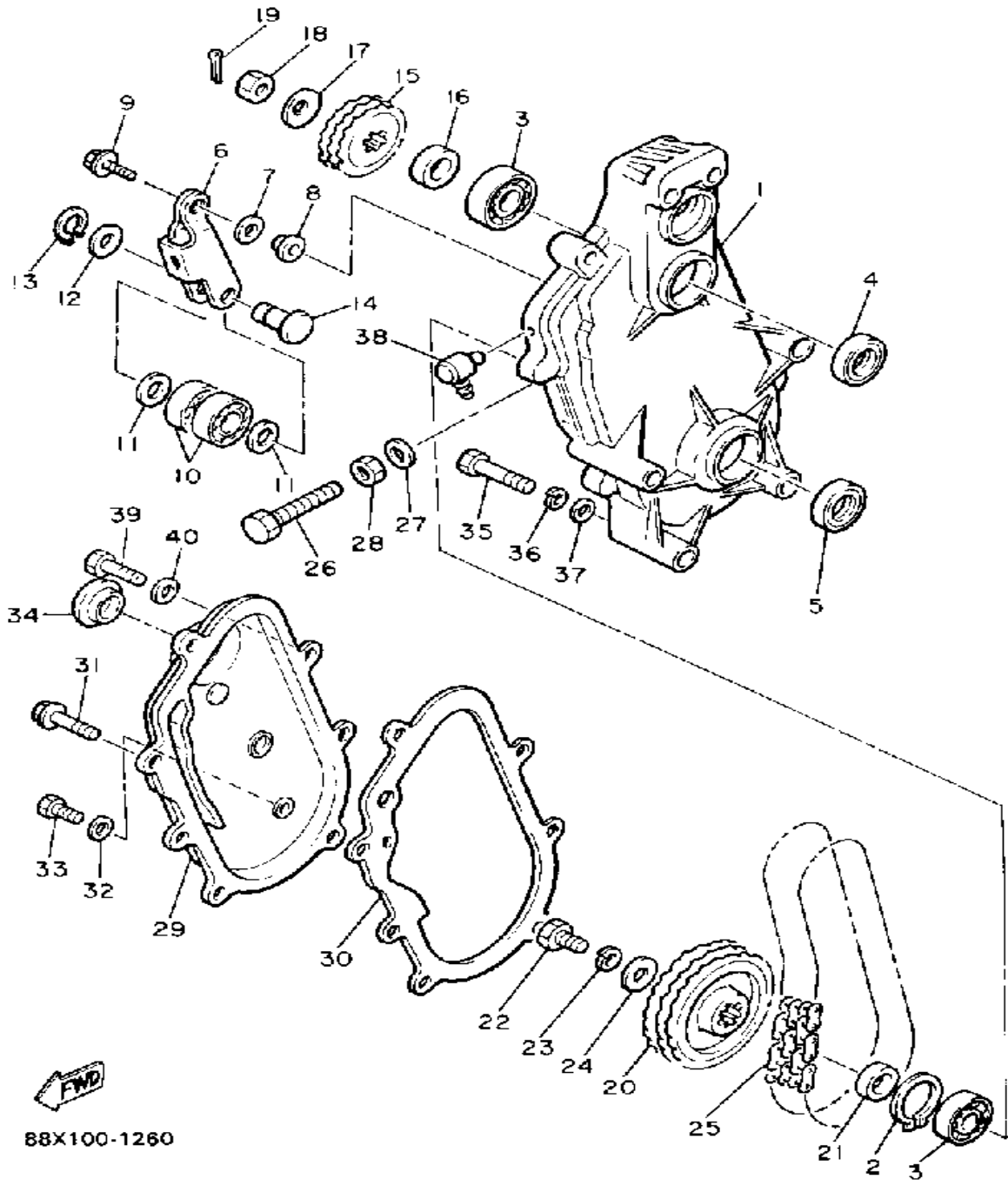
Ref. No.	Part Number	Description	Qty	Remarks
1	8V0-47541-01-00	HOUSING, CHAIN	1	
2	99009-52500-00	CIRCLIP	1	
3	93306-20570-00	BEARING	2	
4	93102-27204-00	OIL SEAL	1	
5	93102-25081-00	OIL SEAL	1	
6	(8K4-47613-02-00)	HOLDER	1	
7	92901-08600-00	WASHER	1	
8	90387-08301-00	COLLAR	1	
9	(95821-08022-00)	BOLT, FLANGE	1	
10	93306-30101-00	BEARING (B6301)	2	
11	90201-124F8-00	WASHER, PLATE	1	
12	90201-12631-00	WASHER, PLATE	1	
13	99009-12400-00	CIRCLIP	1	
14	90249-12216-00	PIN	1	
15	88F-17682-60-00	SPROCKET, CHAIN DRIVE (16T)	1	AP
	88F-17682-70-00	SPROCKET, CHAIN DRIVE (17T)	1	UR STD
16	90387-250K3-00	COLLAR	1	
17	90208-20008-00	WASHER, CONICAL SPRING	1	
18	90170-20211-00	NUT	1	
19	91401-30030-00	PIN, COTTER	1	
20	88F-47587-00-00	SPROCKET, CHAIN DRIVEN (33T)	1	UR STD
	88F-47587-20-00	SPROCKET, CHAIN DRIVEN (35T)	1	AP
21	90387-256V3-00	COLLAR	1	
22	98022-10025-00	BOLT	1	
23	92901-10100-00	WASHER, SPRING	1	
24	90201-10742-00	WASHER, PLATE	1	

CONTINUED ON NEXT FRAME ➤

Property of [www.SmallEngineDiscount.com](http://www.SmallEngineDiscount.com) - Not for Resale



# TRACK DRIVE 2

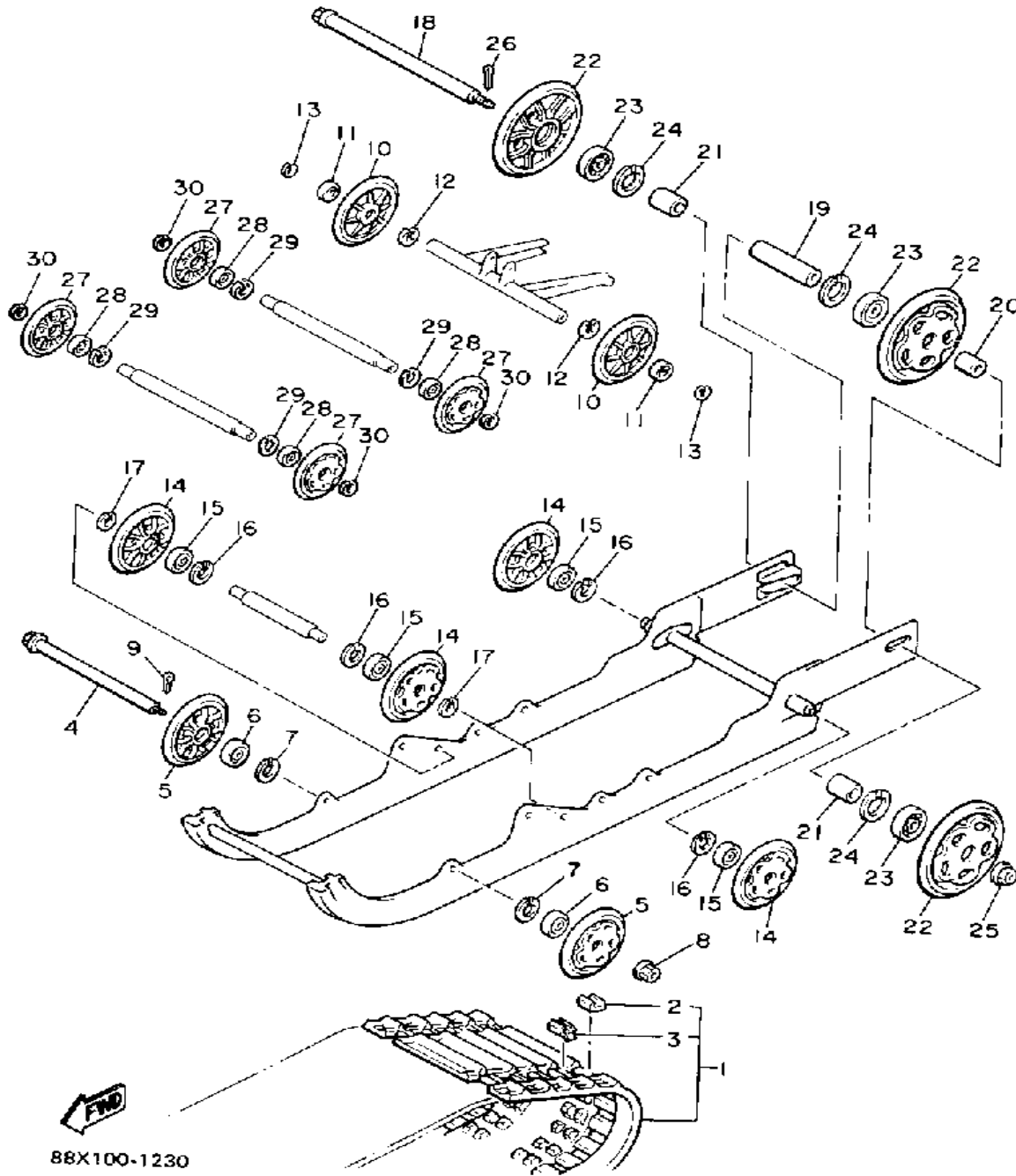


68X100-1260

Ref. No.	Part Number	Description	Qty	Remarks
25	94860-01066-00	CHAIN (66L)	1	UR STD
26	90101-10357-00	BOLT	1	
27	90210-10004-00	WASHER, SEAL	1	
28	95303-10700-00	NUT	1	
29	8V0-47543-00-00	CAP, HOUSING	1	
30	86F-47592-00-00	GASKET	1	
31	95811-06025-00	BOLT, FLANGE	5	
32	90210-06006-00	WASHER, SEAL	1	
33	97011-06010-00	BOLT	1	
34	90338-30219-00	PLUG	1	
35	97021-08065-00	BOLT	4	
36	92990-08100-00	WASHER	4	
37	92990-08600-00	WASHER, PLATE	4	
38	583-15371-00-00	BREATHER	1	
39	97022-06025-00	BOLT	2	
40	92990-06200-00	WASHER	2	

Property of [www.SmallEngineDiscount.com](http://www.SmallEngineDiscount.com) - Not for Resale

# TRACK SUSPENSION 1



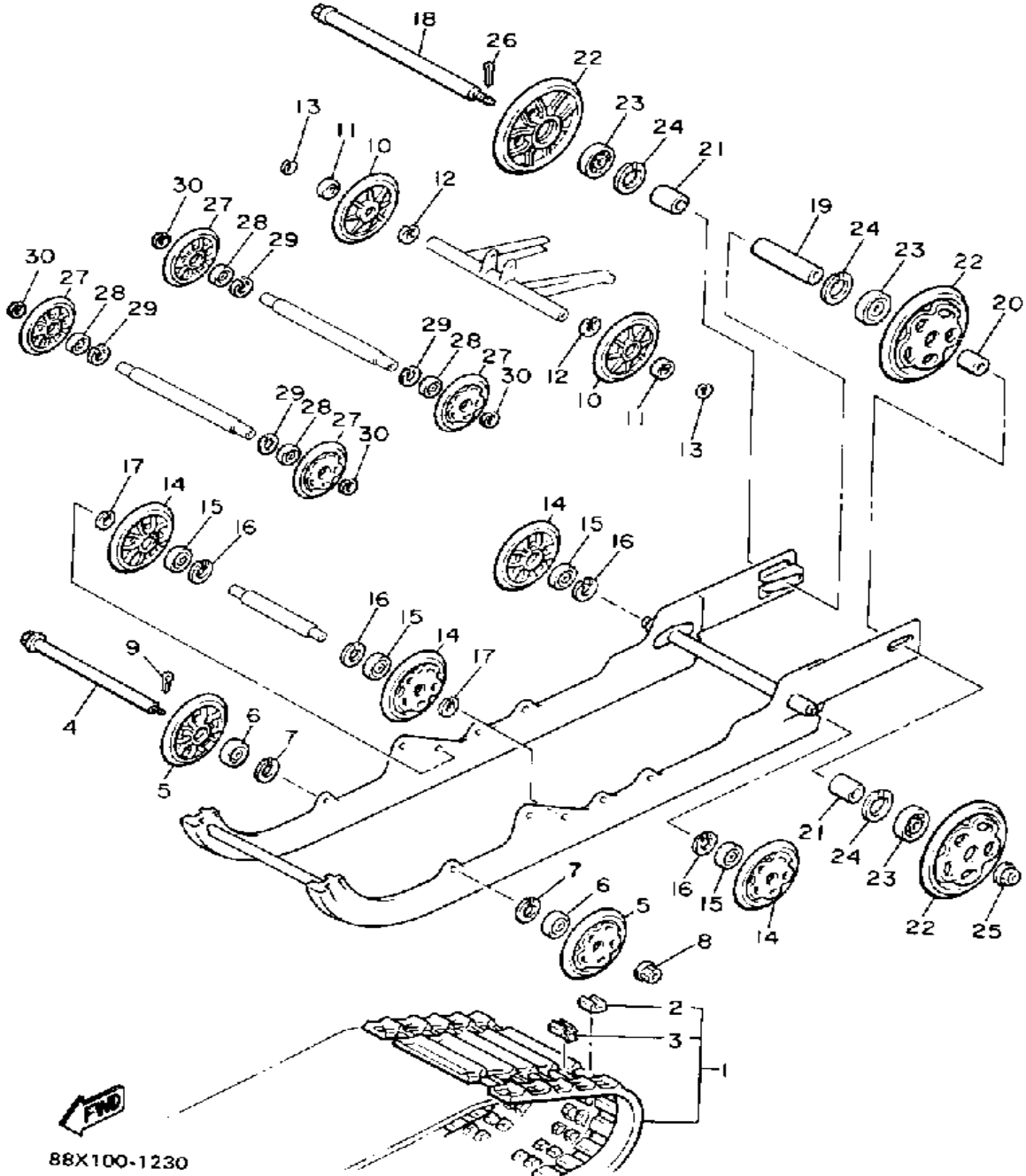
88X100-1230

Ref. No.	Part Number	Description	Qty	Remarks
1	87F-47110-01-00	TRACK ASSEMBLY .....	1	
2	8A5-47113-00-00	. PLATE, REINFORCEMENT ..	48	
3	8A5-47115-00-00	. METAL, SLIDE .....	48	
4	82M-47487-00-00	SHAFT 5 .....	1	
5	87H-47320-00-00	SUSPENSION WHEEL .....	2	
6	93306-00441-00	BEARING (89A) (B6004RS) ...	2	
7	99009-42500-00	CIRCLIP .....	2	
8	95601-14200-00	NUT, U .....	1	
9	91401-30030-00	PIN, COTTER .....	1	
10	885-47320-01-00	SUSPENSION WHEEL COMP. .	2	
11	93306-00441-00	BEARING (89A) (B6004RS) ...	2	
12	99009-42500-00	CIRCLIP .....	2	
13	99009-20400-00	CIRCLIP .....	2	
14	87M-47320-00-00	SUSPENSION WHEEL COMP. .	4	
15	93306-00441-00	BEARING (89A) (B6004RS) ...	4	
16	99009-42500-00	CIRCLIP .....	4	
17	99009-20400-00	CIRCLIP .....	2	
18	8L8-47520-01-00	REAR AXLE COMP. (8L8-47520-02-00) .....	1	
19	90387-202X4-00	COLLAR .....	1	
20	90387-202X5-00	COLLAR .....	1	
21	90387-204X2-00	COLLAR .....	2	
22	8K2-47530-00-00	GUIDE WHEEL COMP. ....	3	
23	93306-20417-00	BEARING (B62042RS) .....	3	
24	99009-47500-00	CIRCLIP .....	3	
25	95601-14200-00	NUT, U .....	1	
26	91401-30030-00	PIN, COTTER .....	1	
27	8H8-47320-00-00	SUSPENSION WHEEL COMP. .	4	
28	93306-00441-00	BEARING (89A) (B6004RS) ...	4	

CONTINUED ON NEXT FRAME ►

Property of [www.SmallEngineDiscount.com](http://www.SmallEngineDiscount.com) - Not for Resale

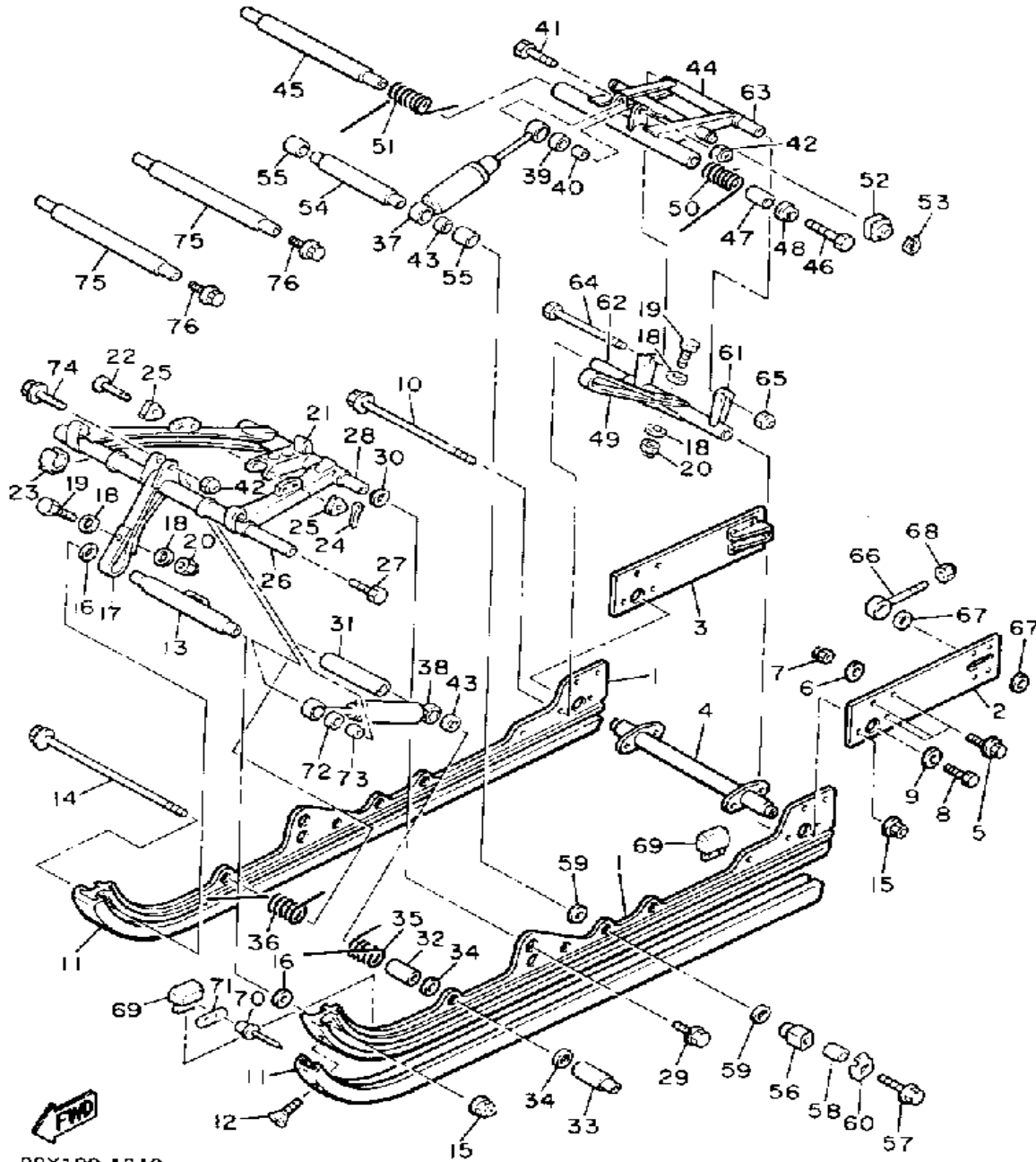
# TRACK SUSPENSION 1



Ref. No.	Part Number	Description	Qty	Remarks
29	99009-42500-00	CIRCLIP .....	4	
30	99009-20400-00	CIRCLIP .....	4	

Property of [www.SmallEngineDiscount.com](http://www.SmallEngineDiscount.com) - Not for Resale

# TRACK SUSPENSION 2



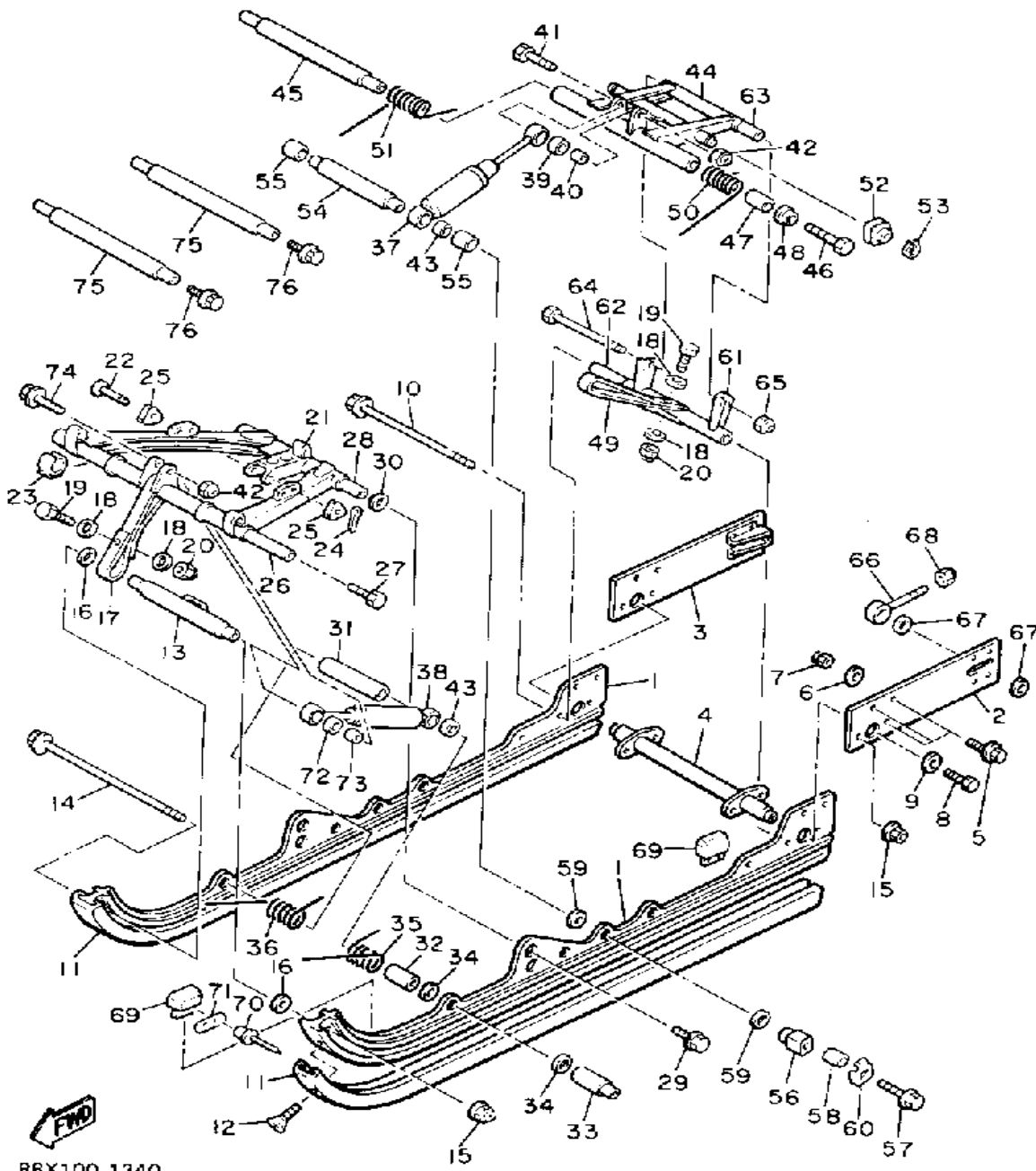
88X100-1240

Ref. No.	Part Number	Description	Qty	Remarks
1	89G-47411-00-00	FRAME, SLIDING 1	2	
2	89G-47412-00-00	FRAME, SLIDING 2	1	
3	89G-47413-00-00	FRAME, SLIDING 3	1	
	90387-084J9-00	COLLAR	1	
4	88X-47451-00-00	BAR, SUSPENSION	1	
5	95811-08030-00	BOLT, FLANGE	6	
6	92990-08600-00	WASHER, PLATE	4	
7	95712-08300-00	NUT, LOCK	6	
8	90109-08559-00	BOLT	2	
9	90201-08681-00	WASHER, PLATE	2	
10	90105-08325-00	BOLT, WASHER BASED	1	
11	88F-47421-00-XX	RUNNER, SLIDING 1 (88F-47421-00-00)	2	UR
12	90151-06010-00	SCREW, COUNTERSUNK	2	
13	8V0-47415-00-00	BRACKET 1	1	
14	95822-08250-00	BOLT, FLANGE	1	
15	95601-08200-00	NUT, U	2	
16	92990-08600-00	WASHER, PLATE	2	
17	87F-47495-00-00	STOPPER 1	1	
18	90201-06407-00	WASHER, PLATE (90201-06747-00)	4	
19	97011-06025-00	BOLT (97001-06025)	2	
20	95701-06300-00	NUT, NYLON	2	
21	87F-47331-00-00	ARM, PIVOT 1	1	
22	90240-12136-00	PIN, CLEVIS	1	
23	8V0-47447-01-00	HOOK 2	2	
24	91401-30030-00	PIN, COTTER	1	
25	8V0-47448-00-00	HOOK 3	2	
26	8A5-47465-02-00	SHAFT 1	1	

CONTINUED ON NEXT FRAME ►

Property of [www.SmallEngineDiscount.com](http://www.SmallEngineDiscount.com) - Not for Resale

# TRACK SUSPENSION 2



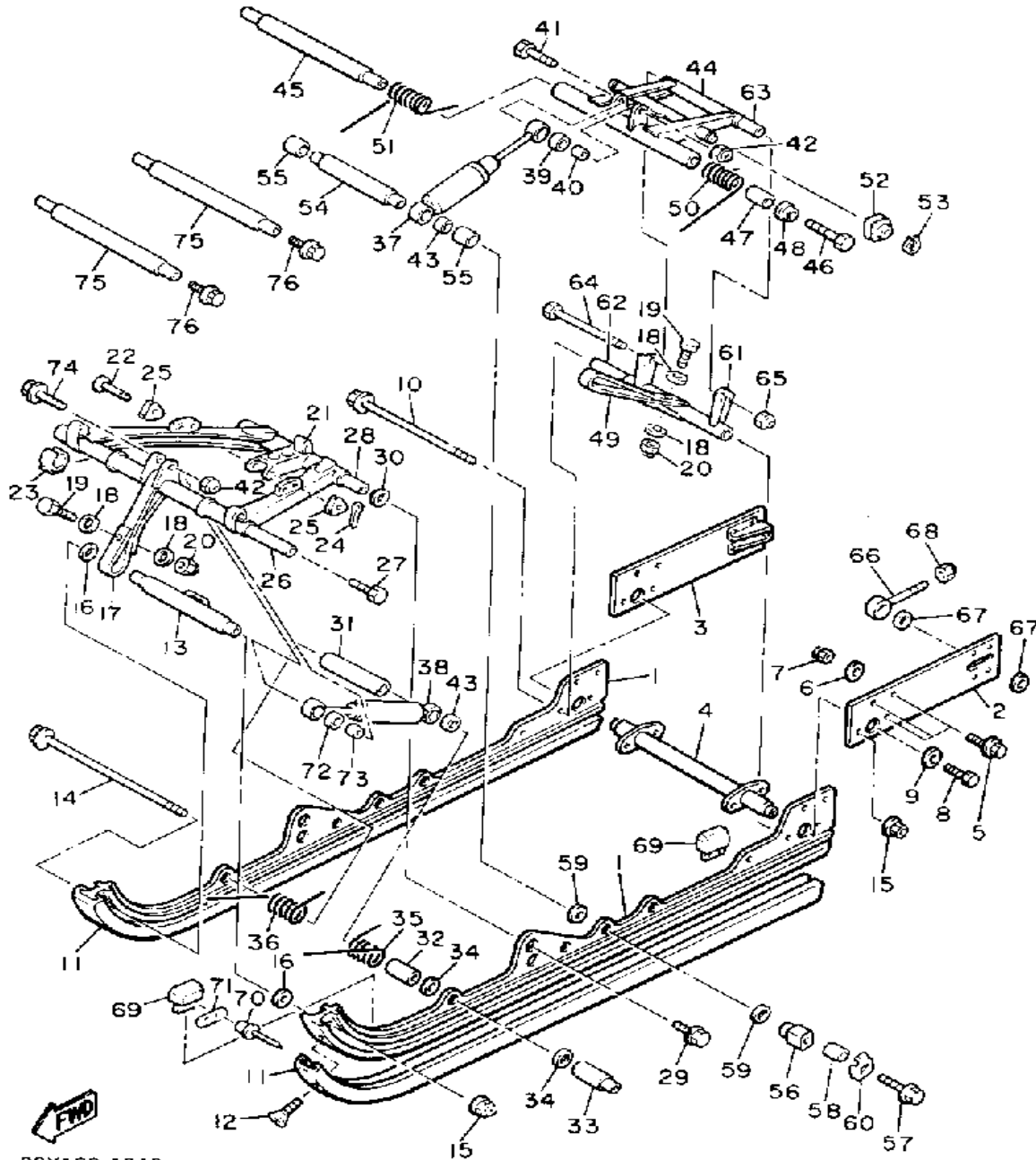
88X100-1240

Ref. No.	Part Number	Description	Qty	Remarks
27	90109-10771-00	BOLT	2	
28	82M-47485-01-00	SHAFT 3	1	
29	95811-10030-00	BOLT, FLANGE	2	
30	90387-105G6-00	COLLAR	2	
31	90387-160M7-00	COLLAR	1	
32	8V0-47319-00-00	COLLAR	2	
33	90387-166M8-00	COLLAR	2	
34	90201-161E5-00	WASHER, PLATE	4	
35	87F-47471-00-00	SPRING, FRONT 1	1	
36	87F-47472-00-00	SPRING, FRONT 2	1	
37	88X-47480-00-00	SHOCK ABSORBER	1	
38	88X-47481-00-00	SHOCK ABSORBER 2	1	
39	90387-084R5-00	COLLAR	1	
40	90380-12161-00	BUSH, SOLID	1	
41	95811-08040-00	BOLT, FLANGE	1	
42	95712-08300-00	NUT, LOCK	2	
43	8V0-47371-00-00	BUSH, PIVOT	2	
44	87H-47332-00-00	ARM, PIVOT 2	1	
45	8K2-47475-00-00	SHAFT 2	1	
46	90109-10771-00	BOLT	2	
47	8V0-47365-00-00	COLLAR 1	2	
48	8V0-47384-00-00	WASHER	2	
49	89F-47496-00-00	STOPPER 2	1	
50	88X-47473-00-00	SPRING, REAR 1	1	UR STD
	90508-99656-00	SPRING, TORSION	1	AP
51	88X-47474-00-00	SPRING, REAR 2	1	UR STD
	90508-99657-00	SPRING, TORSION (K178)	1	AP
52	86S-47446-01-00	HOOK 1	2	
53	99009-14400-00	CIRCLIP	2	

CONTINUED ON NEXT FRAME ➤

Property of [www.SmallEngineDiscount.com](http://www.SmallEngineDiscount.com) - Not for Resale

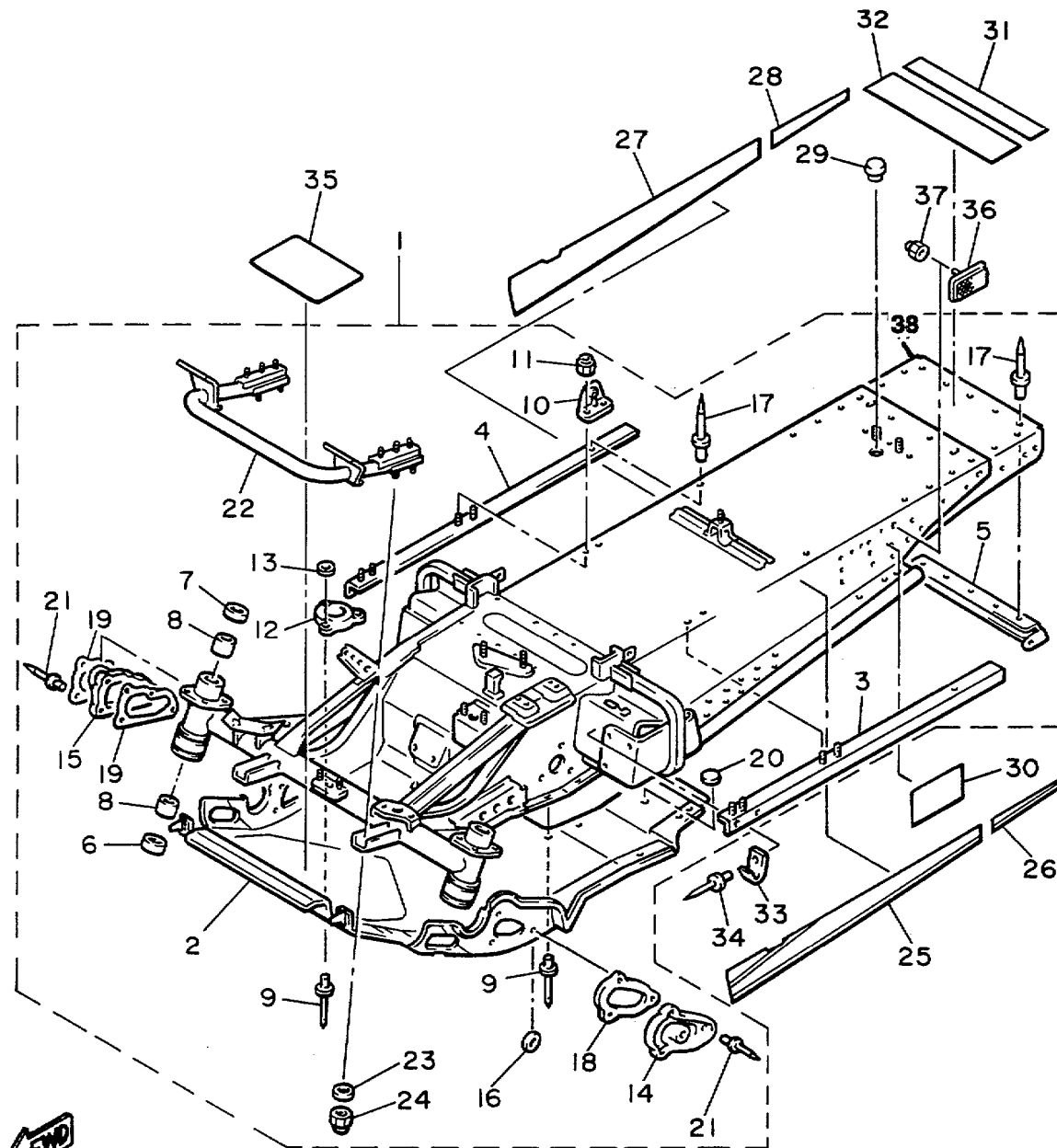
# TRACK SUSPENSION 2



88X100-1240

Ref. No.	Part Number	Description	Qty	Remarks
54	84J-47486-00-00	SHAFT 4	1	
55	8V0-47338-00-00	COLLAR	2	
56	85K-47447-01-00	HOOK 2	2	
57	95811-10060-00	BOLT, FLANGE	2	
58	90387-103U7-00	COLLAR	2	
59	90201-100L3-00	WASHER, PLATE	4	
60	84J-47467-00-00	PLATE, GUIDE	2	
61	8V0-47417-00-00	BRACKET 3	1	
62	90387-08632-00	COLLAR	1	
64	97022-08165-00	BOLT	1	
65	95712-08300-00	NUT, LOCK	1	
66	8K2-47479-01-00	COLLAR 3	2	
67	90201-20279-00	WASHER, PLATE	4	
68	95701-10300-00	NUT, FLANGE (95702-10300)	2	
69	8V0-47456-00-00	DAMPER 1	4	
70	90267-48062-00	RIVET, BLIND	8	
71	8K2-47458-01-00	PLATE, DAMPER	8	
72	90387-081U4-00	COLLAR	1	
73	90380-12169-00	BUSH, SOLID	1	
74	95811-08045-00	BOLT, FLANGE (JN5)	1	
75	8L1-47461-00-00	IDLER	2	
76	95816-08020-00	BOLT, FLANGE	4	

Property of [www.SmallEngineDiscount.com](http://www.SmallEngineDiscount.com) - Not for Resale



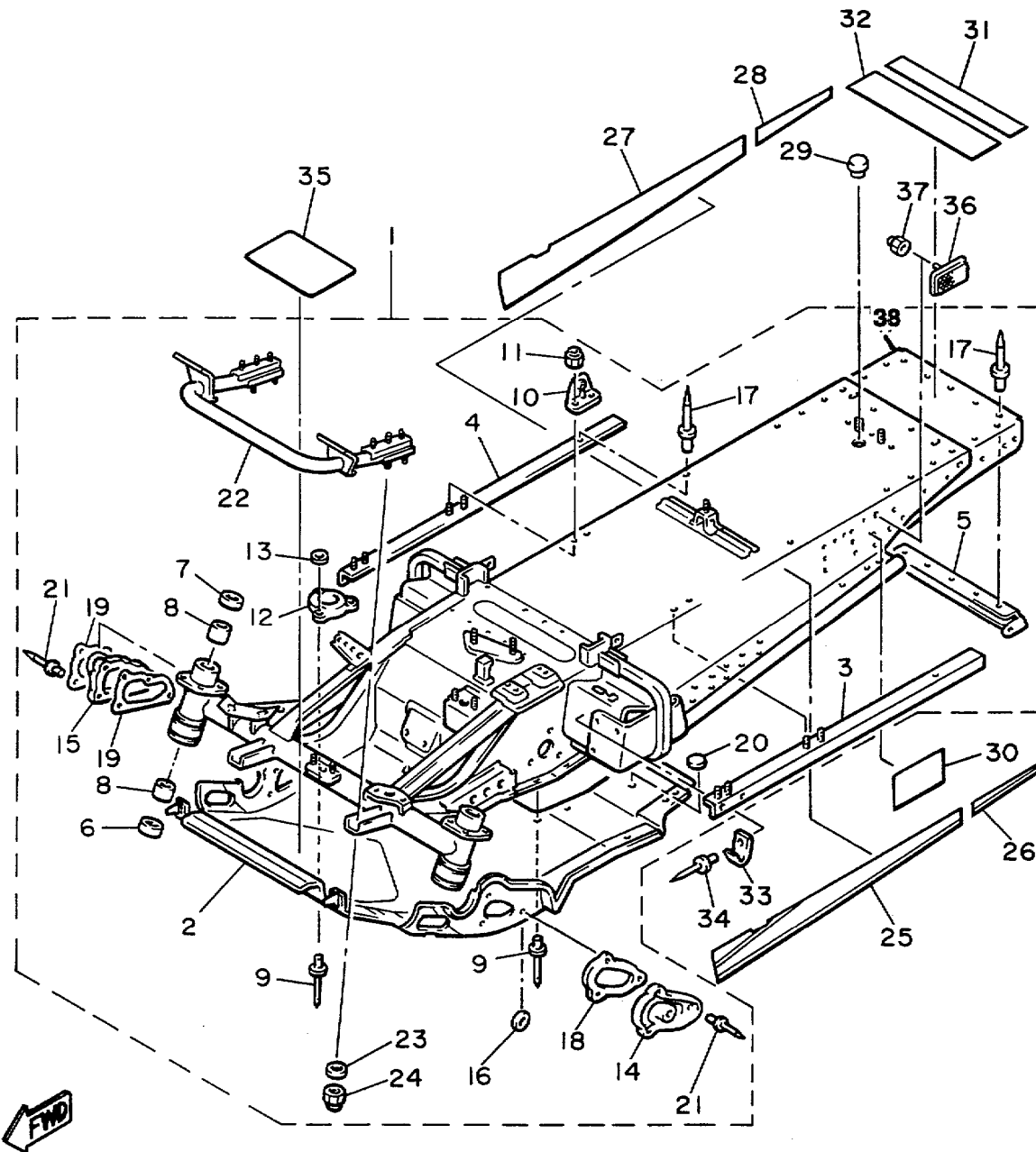
88X100-1150

# FRAME

Ref. No.	Part Number	Description	Qty	Remarks
1	88X-21910-00-00	FRAME	1	
2	87F-21912-00-00	. PANEL, SUB FRAME 1	1	
3	88Y-21964-00-00	. PATCH 4	1	
4	88Y-21965-00-00	. PATCH 5	1	
5	88X-21923-00-00	. REINEFORCEMENT, FRAME REAR 1	1	
6	93103-36117-00	. OIL SEAL	2	
7	93102-36232-00	. OIL SEAL	2	
8	90384-36134-00	. BUSH, BIMETAL FORMED	4	
9	90267-48141-00	. RIVET, BLIND	35	
10	8V0-21946-00-00	. BRACKET, SEAT FITTING	2	
11	95701-06300-00	. NUT, NYLON	4	
12	80L-21998-00-00	. SPACER	1	
13	90201-04325-00	. WASHER, PLATE	3	
14	8M6-2198F-00-00	. COVER 1	1	
15	80L-2198G-00-00	. COVER 2	1	
16	90201-047A7-00	. WASHER, PLATE	3	
17	90266-04019-00	. RIVET	4	
18	8M6-21998-00-00	. SPACER	1	
19	80L-77526-00-00	. WASHER 2	2	
20	80F-21998-00-00	. SPACER	2	
21	90267-40029-00	. RIVET, BLIND	7	
22	87F-77512-00-00	. BUMPER, FRONT 2	1	
23	90201-082E7-00	. WASHER, PLATE	4	
24	95712-08300-00	. NUT, LOCK	4	
25	88F-77351-00-00	EMBLEM 1 (FOR WHITE)	1	
26	88F-77353-00-00	EMBLEM 3 (FOR WHITE)	1	
27	88F-77352-00-00	EMBLEM 2 (FOR WHITE)	1	
28	88F-77354-00-00	EMBLEM 4 (FOR WHITE)	1	

CONTINUED ON NEXT FRAME ►

Property of [www.SmallEngineDiscount.com](http://www.SmallEngineDiscount.com) - Not for Resale



88X100-1150

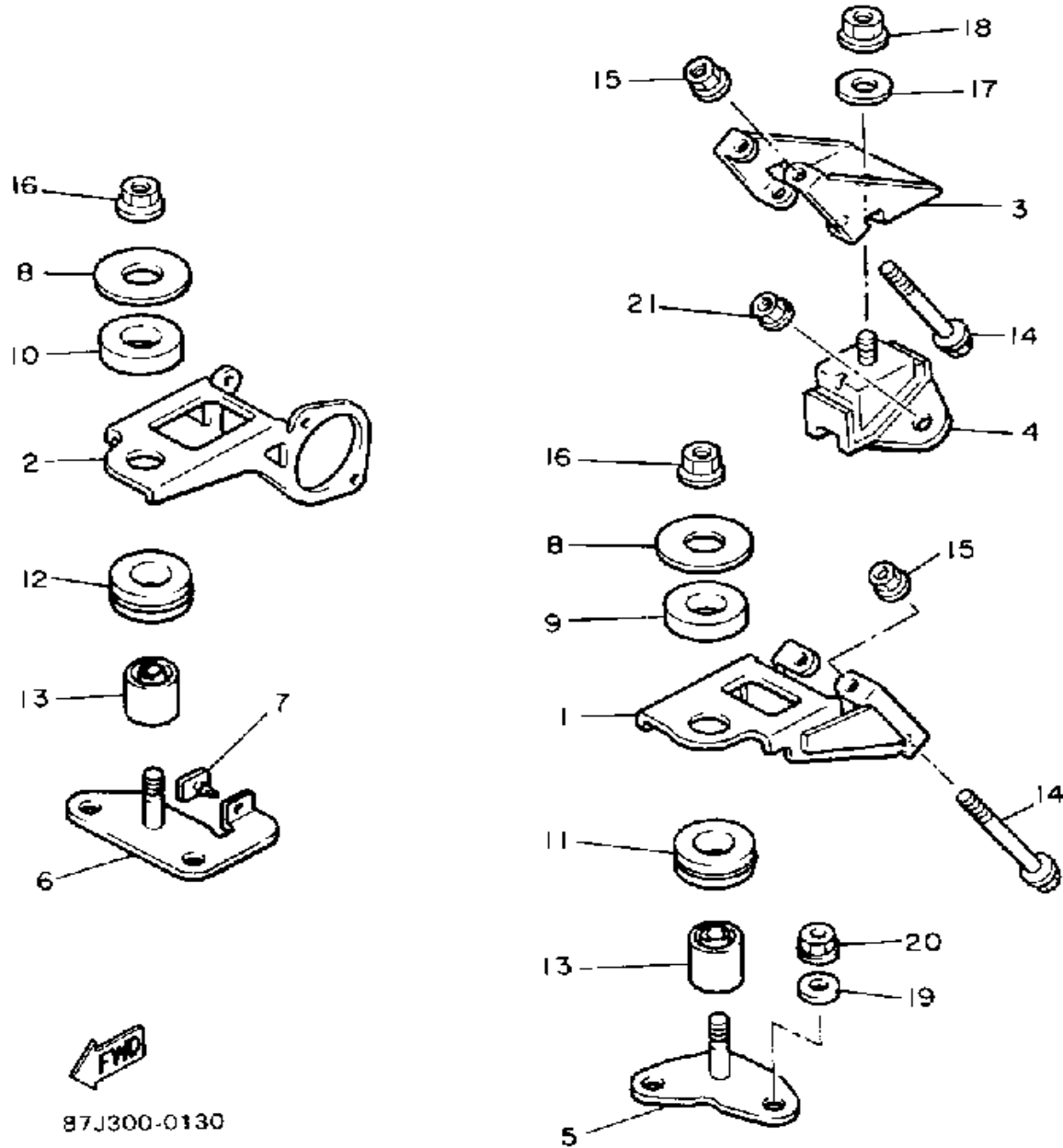
# FRAME

Ref. No.	Part Number	Description	Qty	Remarks
29	810-77716-00-00	ORNAMENT, INSTRUMENT PANEL 2	1	
30	8K2-77742-00-00	INDICATOR 2	1	
31	88X-77762-00-00	LABEL, WARNING 2	1	
32	88X-77351-00-00	EMBLEM 1	1	
33	90461-05003-00	CLAMP	1	
34	90267-48053-00	RIVET, BLIND	1	
35	87F-2199H-00-00	SHIELD, HEAT	1	
36	3Y6-85130-01-00	REAR REFLECTOR ASSEMBLY	2	
37	95701-05300-00	NUT, NYLON	2	
38	88X-21916-00-00	PANEL, SUB FRAME 5	1	

Property of [www.SmallEngineDiscount.com](http://www.SmallEngineDiscount.com) - Not for Resale



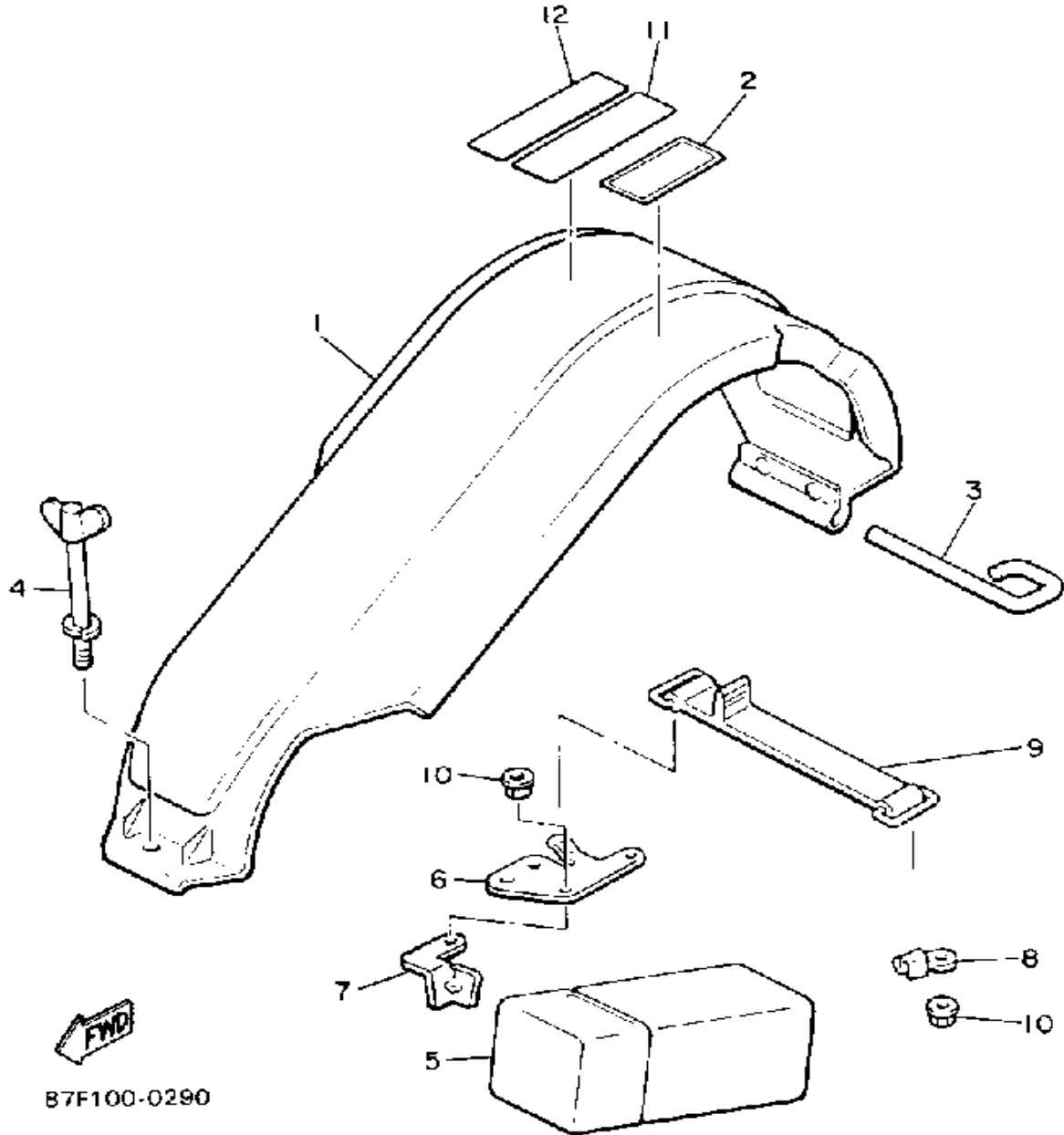
# ENGINE BRACKET



Ref. No.	Part Number	Description	Qty	Remarks
1	8V0-21411-00-00	BRACKET, ENGINE 1	1	
2	8V0-21419-00-00	BRACKET, ENGINE 2	1	
3	8V0-21429-01-00	BRACKET, ENGINE 3	1	
4	87F-21486-00-00	DAMPER 2	1	
5	87F-21417-00-00	BRACKET, FRONT LOWER 1	1	
6	87F-21418-00-00	BRACKET, FRONT LOWER 2	1	
7	87F-2140A-00-00	DAMPER, STOPPER	1	
8	90201-10151-00	WASHER, PLATE	2	
9	8V0-21485-00-00	DAMPER, RUBBER 1	1	
10	8A5-21485-00-00	DAMPER, RUBBER 1	1	
11	87F-21485-00-00	DAMPER, RUBBER 1	1	
12	87F-21488-00-00	DAMPER	1	
13	87F-15316-00-00	DAMPER, ENGINE MOUNT 1	2	
14	90105-08466-00	BOLT, WASHER BASED	4	
15	95701-08500-00	NUT, FLANGE	4	
16	95701-10500-00	NUT, FLANGE (95702-10500)	2	
17	90201-10321-00	WASHER, PLATE	1	
18	95701-10500-00	NUT, FLANGE (95702-10500)	1	
19	90201-10321-00	WASHER, PLATE	4	
20	95701-10500-00	NUT, FLANGE (95702-10500)	4	
21	95701-08500-00	NUT, FLANGE	2	

Property of [www.SmallEngineDiscount.com](http://www.SmallEngineDiscount.com) - Not for Resale

# GUARD - LUGGAGE BOX

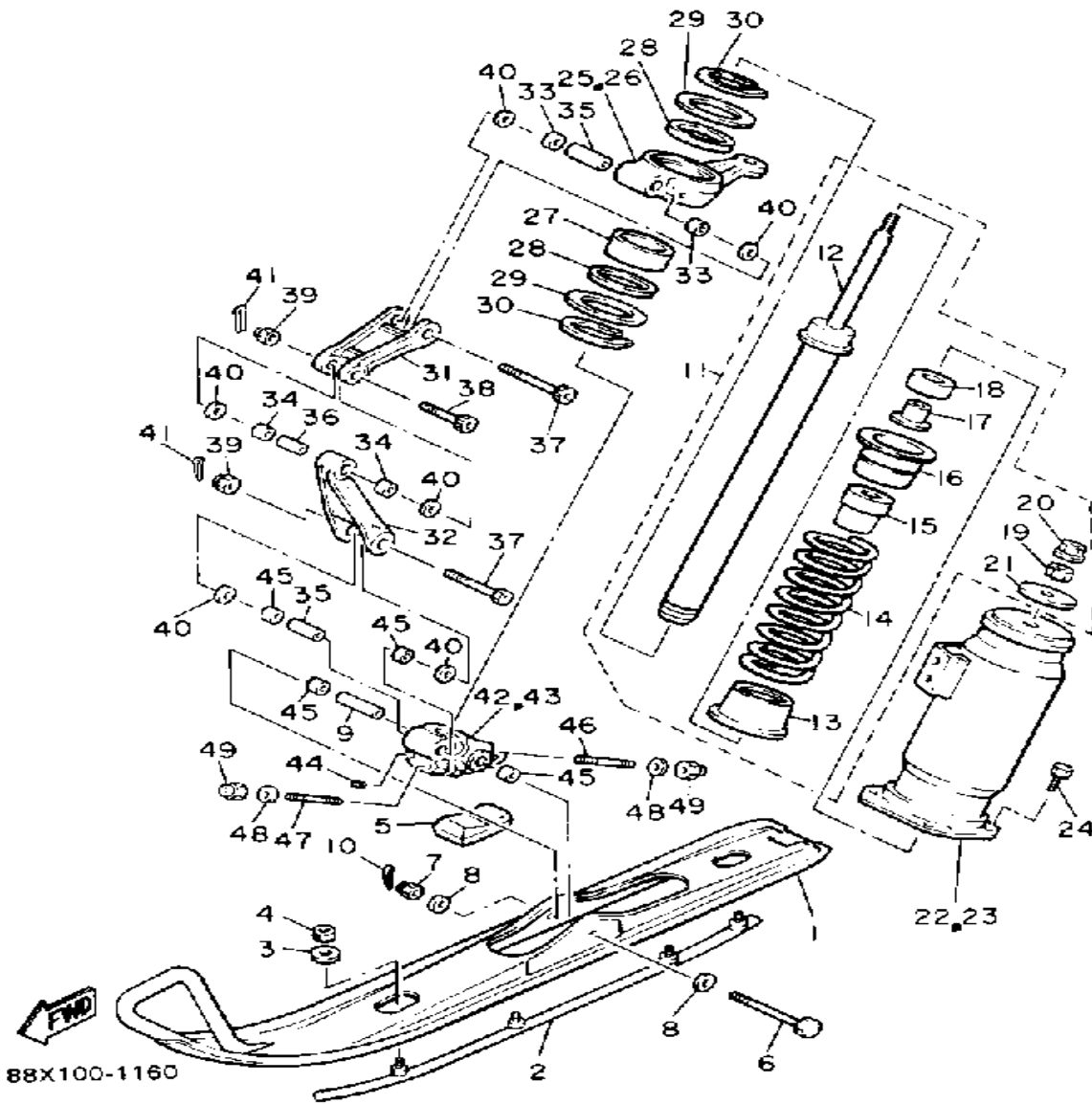
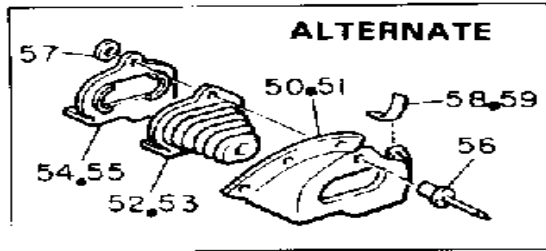


Ref. No.	Part Number	Description	Qty	Remarks
1	8V0-77311-00-00	GUARD, DRIVE .....	1	
2	898-77762-00-00	LABEL, WARNING 2 .....	1	
3	86V-77384-00-00	PIN .....	1	
4	8V0-77387-00-00	SCREW .....	1	
5	8V0-W2810-00-00	TOOL KIT .....	1	
6	8V0-21945-00-00	BRACKET, TOOL BOX FITTING	1	
7	87D-2196F-00-00	BRACKET 3 .....	1	
8	8V0-21955-00-00	BRACKET, TOOL BOX FITTING	1	
9	4J2-82131-01-00	BAND, BATTERY .....	1	
10	95701-06500-00	NUT, FLANGE .....	1	
11	8Y7-47578-00-00	LABEL 1 .....	1	
12	81H-1417E-00-00	LABEL, CAUTION .....	1	

Property of [www.SmallEngineDiscount.com](http://www.SmallEngineDiscount.com) - Not for Resale

C10

# SKI

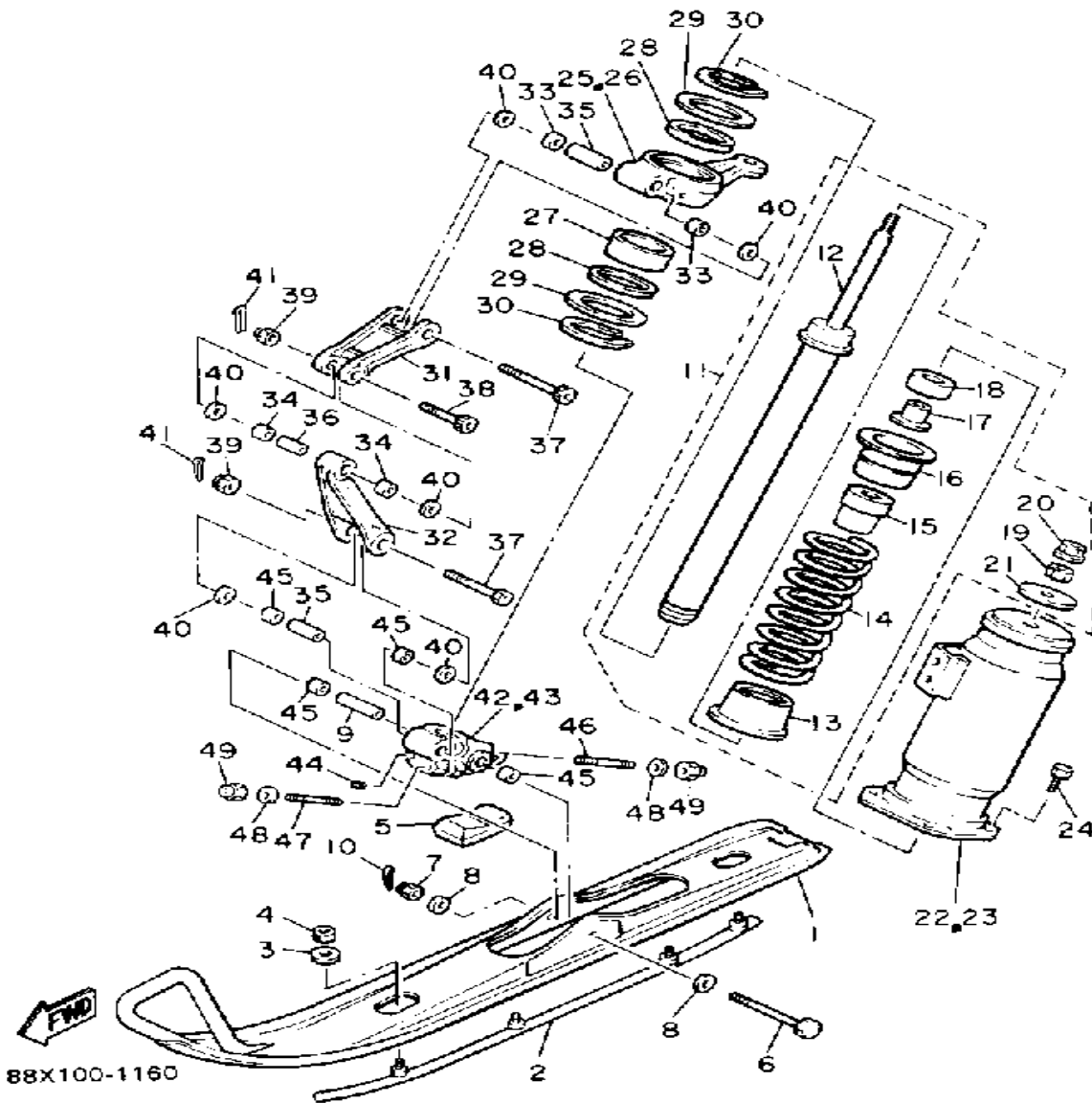
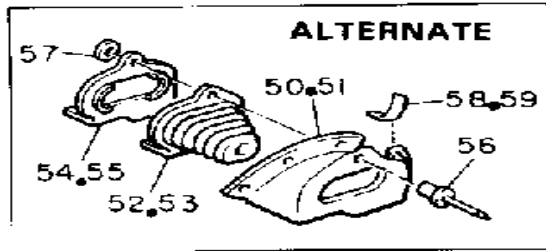


Ref. No.	Part Number	Description	Qty	Remarks
1	88F-23710-01-00	SKI COMP. 1	2	
2	VMX-23731-01-XX	RUNNER 1 (8M6-23731-01-00)	2	
3	92990-08600-00	WASHER, PLATE	8	
4	95611-08100-00	NUT, U	8	
5	88T-23743-00-00	STOPPER 1	2	
6	90102-10050-00	BOLT, WITH HOLE	2	
7	95706-10300-00	NUT, NYLON	2	
8	92906-10600-00	WASHER	4	
9	90387-106J3-00	COLLAR	2	
10	91490-20020-00	PIN, COTTER	2	
11	87F-2376A-00-00	ABSORBER ASSEMBLY 1	2	
12	88X-22401-00-00	. DAMPER SUB ASSEMBLY	1	
13	82M-23777-00-00	. SEAT, SPRING 2	1	
14	90501-752G6-00	. SPRING, COMPRESSION	1	
15	87F-22493-00-00	. BUMP, STOP	1	
16	8L0-23788-00-00	. PLATE, BACK UP	1	
17	90387-084R1-00	. COLLAR	1	
18	82M-23779-00-00	. WASHER	1	
19	90170-08220-00	. NUT	1	
20	95333-08600-00	. NUT	1	
21	90201-080L1-00	. WASHER, PLATE	1	
22	88H-2376J-00-00	HOLDER, ABSORBER (LH) (WHT)	1	
23	88H-2377J-00-00	HOLDER, ABSORBER (RH) (WHT)	1	
24	97011-06020-00	BOLT	8	
25	87F-23851-01-00	ARM, OUTSIDE 1	1	
26	87F-23852-01-00	ARM, OUTSIDE 2	1	
27	90384-53175-00	BUSH, BIMETAL FORMED	2	

CONTINUED ON NEXT FRAME ►

Property of [www.SmallEngineDiscount.com](http://www.SmallEngineDiscount.com) - Not for Resale

# SKI

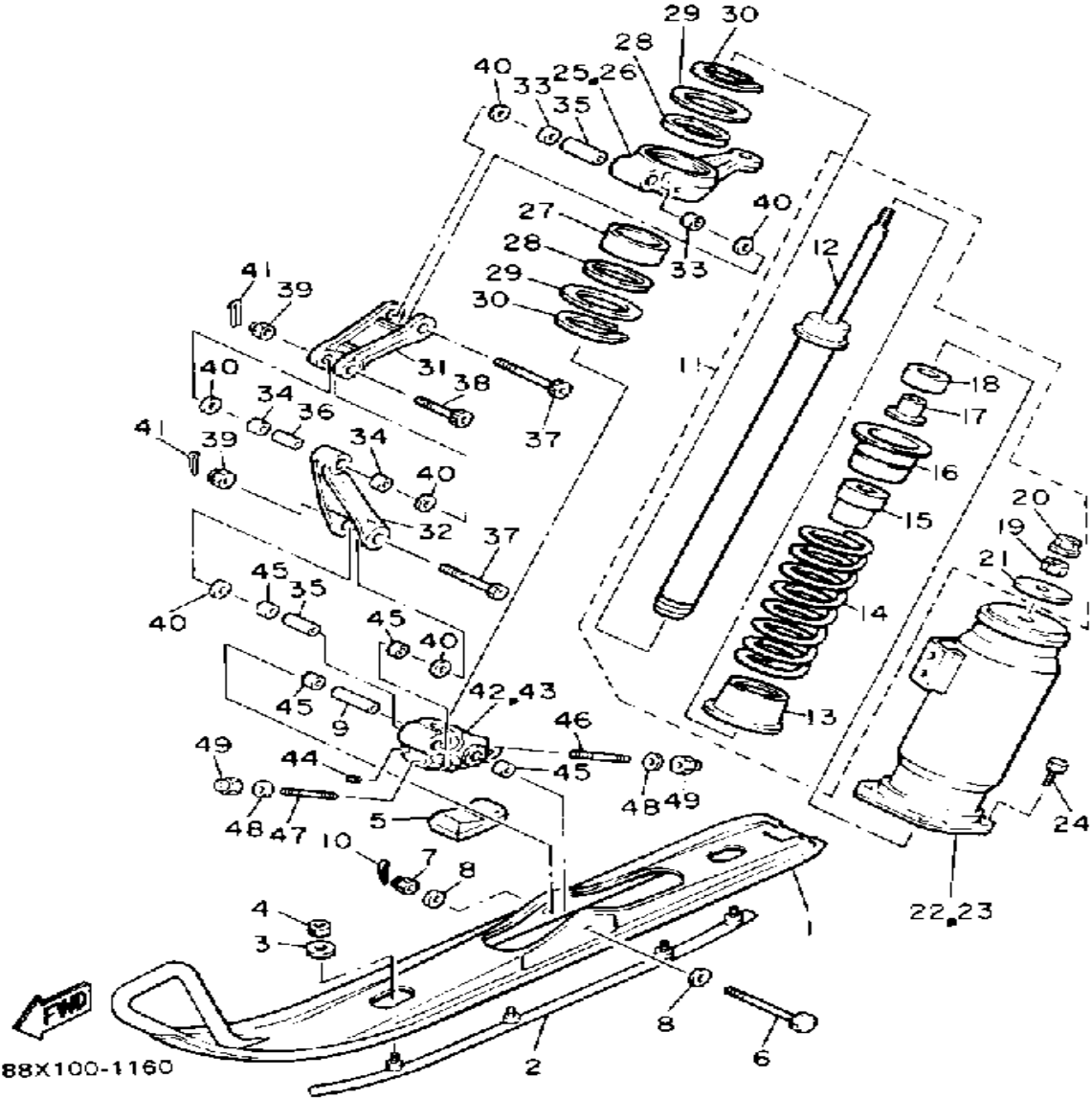
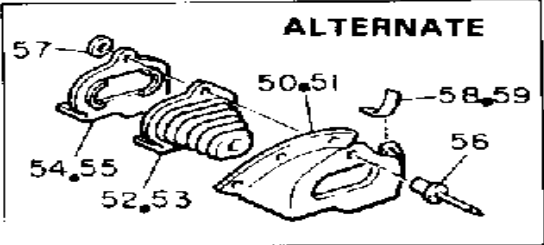


Ref. No.	Part Number	Description	Qty	Remarks
28	93109-53036-00	OIL SEAL .....	4	
29	90201-535H6-00	WASHER, PLATE (T=2.0) .....	4	UR
	90201-536A1-00	WASHER, PLATE (T=1.0) .....	4	UR
30	93410-52061-00	CIRCLIP .....	4	
31	8L0-2382E-01-00	ARM, FRONT 1 .....	2	
32	8L0-2382F-00-00	ARM, FRONT 2 .....	2	
33	90384-14091-00	BUSH, BIMETAL FORMED .....	4	
34	90384-14096-00	BUSH, BIMETAL FORMED .....	4	
35	90387-101Y9-00	COLLAR .....	4	
36	90387-100A4-00	COLLAR .....	2	
37	90102-10039-00	BOLT, WITH HOLE .....	4	
38	90110-10173-00	BOLT, HEXAGON SOCKET HEAD .....	2	
39	95706-10300-00	NUT, NYLON .....	6	
40	90202-14037-00	WASHER, PLATE .....	12	
41	91490-20020-00	PIN, COTTER .....	6	
42	84M-2376E-00-00	BRACKET 1 .....	1	
43	84M-2377E-00-00	BRACKET 2 .....	1	
44	90113-06039-00	BOLT, SET .....	2	
45	90384-14091-00	BUSH, BIMETAL FORMED .....	8	
46	95611-08655-00	BOLT, STUD .....	2	
47	95611-08640-00	BOLT, STUD .....	2	
48	92901-08600-00	WASHER .....	4	
49	95712-08300-00	NUT, LOCK .....	4	
50	87F-2195E-00-00	PLATE, STRG BRACKET 1 ...	1	AP
51	87F-2195F-00-00	PLATE, STRG BRACKET 2 ...	1	AP
52	82M-2198F-00-00	COVER 1 (L.H) .....	1	AP
53	82M-2198G-00-00	COVER 2 (R.H) .....	1	AP
54	82M-2195E-00-00	PLATE, STRING BRACKET 1 (L, H) .....	1	AP

CONTINUED ON NEXT FRAME ➤

Property of [www.SmallEngineDiscount.com](http://www.SmallEngineDiscount.com) - Not for Resale

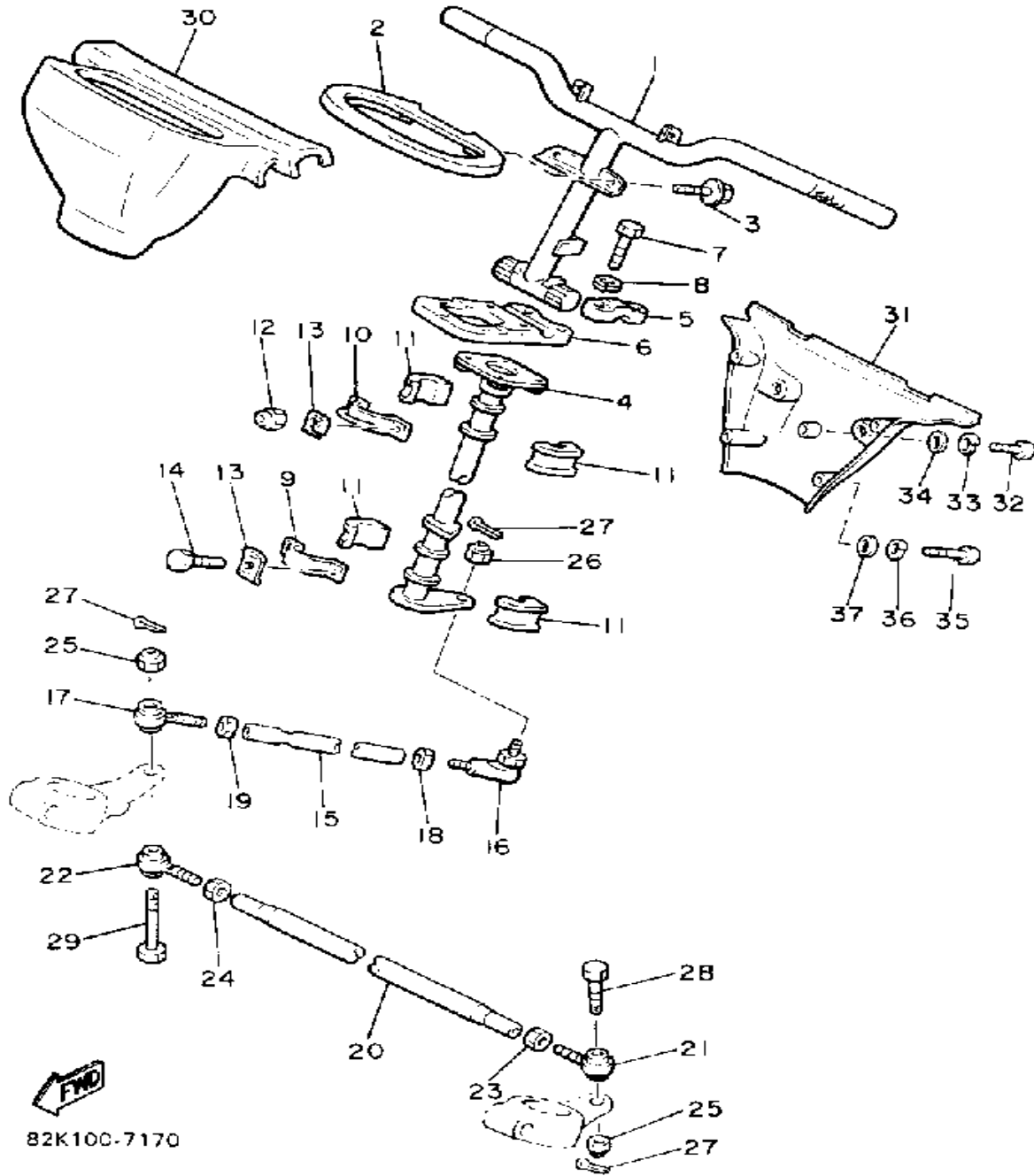
# SKI



Ref. No.	Part Number	Description	Qty	Remarks
55	82M-2195F-00-00	PLATE, STRING BRACKET 2 (R, H)	1	AP
56	90267-40076-00	RIVET, BLIND	12	AP
57	90201-047A7-00	WASHER, PLATE	12	AP
58	87F-7717E-00-00	TAPE 1	1	AP
59	87F-7717F-00-00	TAPE 2	1	AP

Property of [www.SmallEngineDiscount.com](http://www.SmallEngineDiscount.com) - Not for Resale

# STEERING

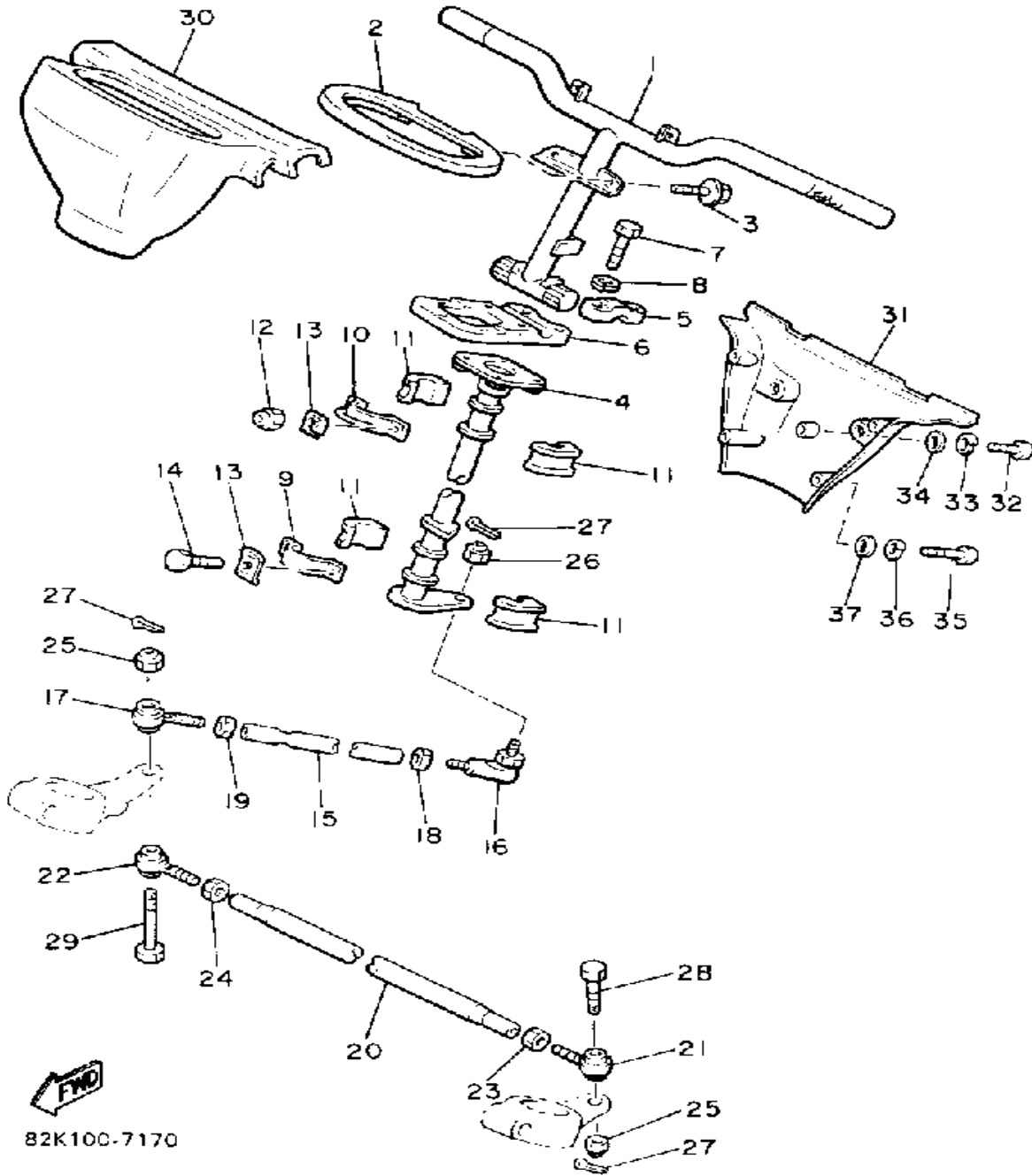


Ref. No.	Part Number	Description	Qty	Remarks
1	81J-23811-00-00	COLUMN, STEERING .....	1	
2	8V0-23878-00-00	BRACKET 0 .....	1	
3	95811-06010-00	BOLT, FLANGE .....	2	
4	83V-23813-00-00	COLUMN, STEERING 2 .....	1	
5	1E6-23441-00-00	HOLDER, HANDLE UPR .....	2	
6	8V0-23814-01-00	HOLDER, HANDLE UPPER ...	1	
7	97022-08055-00	BOLT .....	4	
8	92990-08100-00	WASHER .....	4	
9	84M-23868-00-00	BRACKET, STEERING LOWER	1	
10	84M-23872-00-00	HOLDER, BEARING .....	1	
11	8F3-23812-00-00	PLANE BEARING, STEERING .	4	
12	95712-08300-00	NUT, LOCK .....	2	
13	90215-08262-00	WASHER, LOCK .....	4	
14	98012-08020-00	BOLT .....	2	
15	87F-23821-00-00	ROD, STEERING RELAY .....	1	
16	86X-23841-00-00	JOINT, UNIVERSAL 1 .....	1	
17	87S-23847-00-00	JOINT, UNIVERSAL 3 .....	1	
18	95303-10700-00	NUT .....	1	
19	90170-10186-00	NUT .....	1	
20	82M-23831-01-00	ROD, TIE .....	1	
21	87S-23845-00-00	JOINT, UNIVERSAL 2 .....	1	
22	87S-23847-00-00	JOINT, UNIVERSAL 3 .....	1	
23	95303-10700-00	NUT .....	1	
24	90170-10186-00	NUT .....	1	
25	95706-10300-00	NUT, NYLON .....	2	
26	90185-10085-00	NUT, SELF-LOCKING .....	1	
27	91402-25018-00	PIN, COTTER .....	3	
28	90102-10031-00	BOLT, WITH HOLE .....	1	
29	90109-10767-00	BOLT .....	1	

CONTINUED ON NEXT FRAME ➤

Property of [www.SmallEngineDiscount.com](http://www.SmallEngineDiscount.com) - Not for Resale

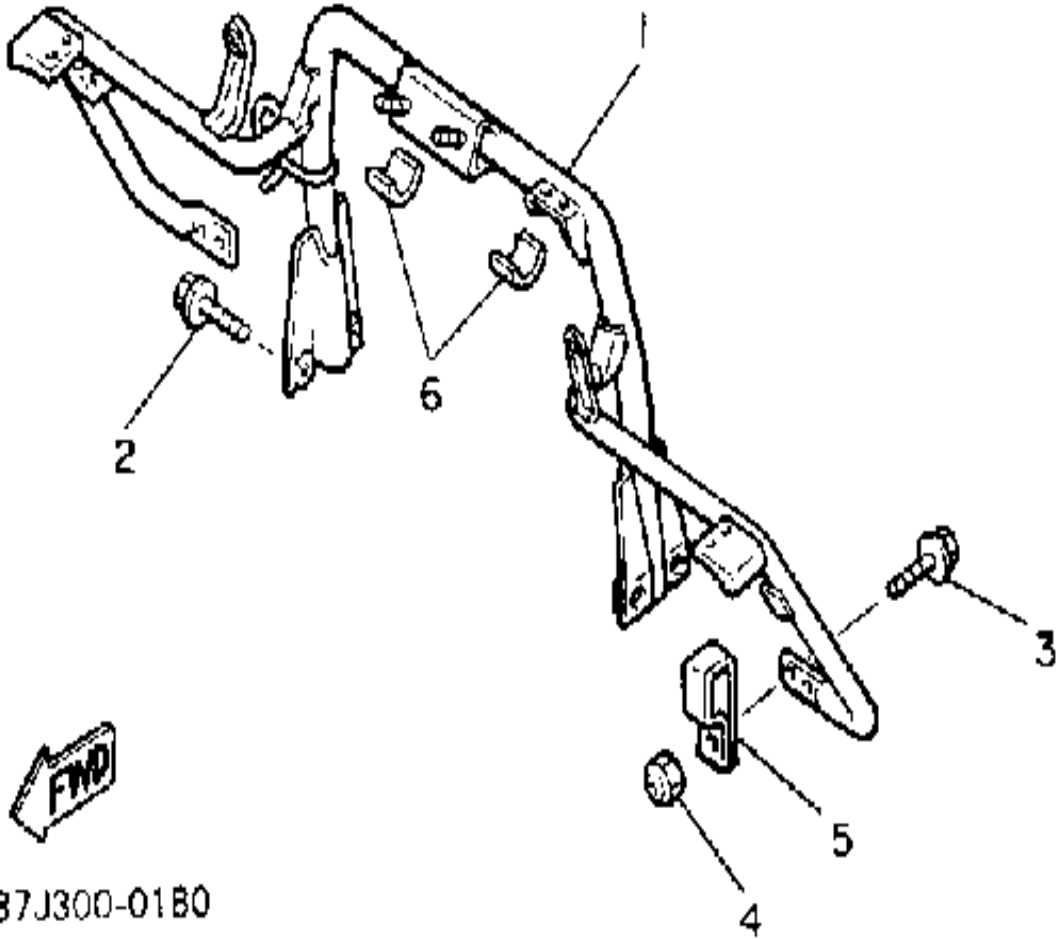
# STEERING



Ref. No.	Part Number	Description	Qty	Remarks
30	8X9-23815-00-00	PAD, STEERING .....	1	
31	80L-23817-01-00	PAD, STEERING .....	1	
32	98506-05010-00	SCREW, PAN HEAD .....	1	
33	92906-05100-00	WASHER, SPRING .....	1	
34	92906-05200-00	WASHER, PLAIN .....	1	
35	98506-05030-00	SCREW, PAN HEAD .....	4	
36	92906-05100-00	WASHER, SPRING .....	4	
37	92906-05600-00	WASHER, PLATE .....	4	

Property of [www.SmallEngineDiscount.com](http://www.SmallEngineDiscount.com) - Not for Resale

# STEERING GATE



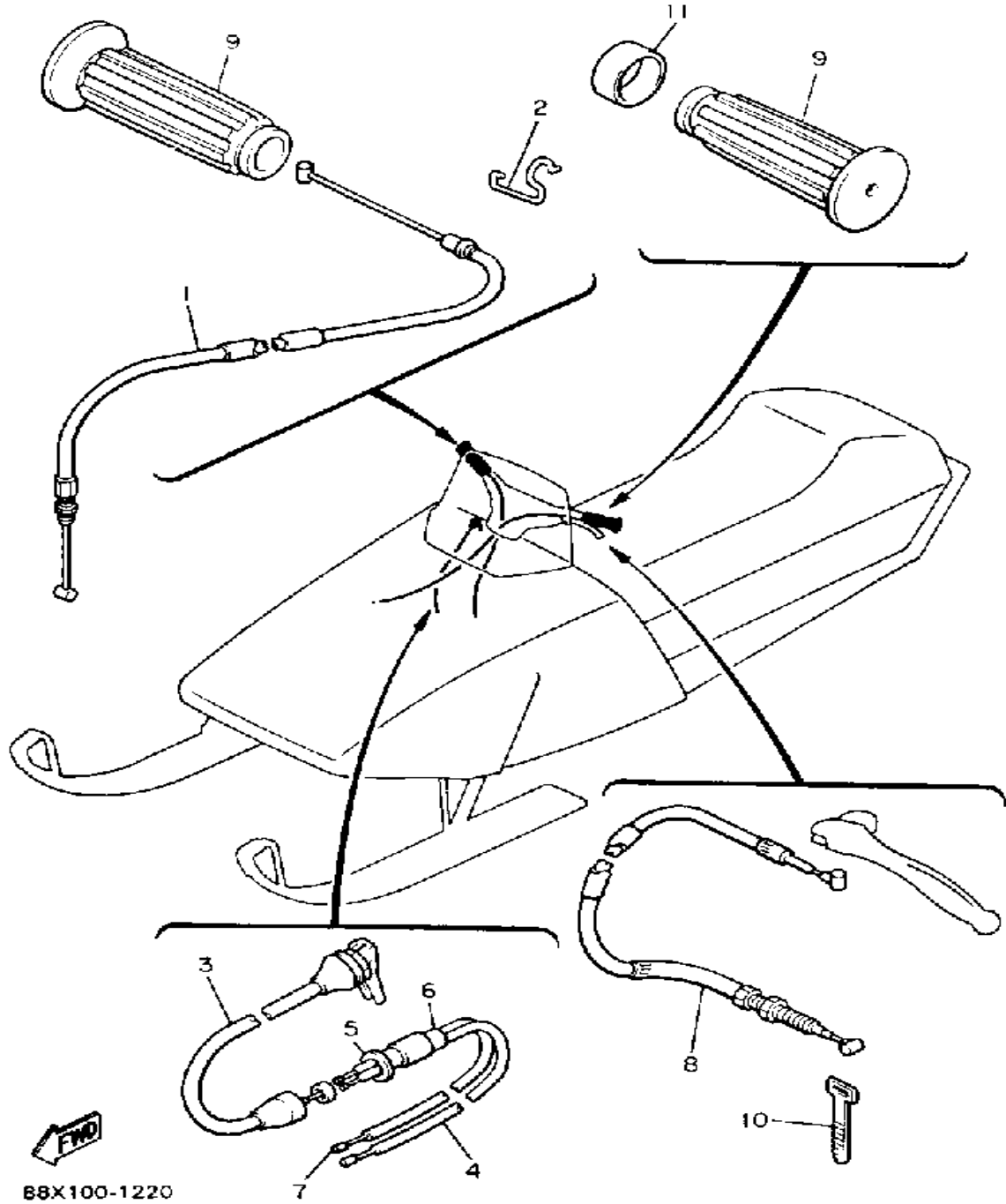
87J300-01B0

Ref. No.	Part Number	Description	Qty	Remarks
1	87F-23870-00-00	STEERING GATE COMP. ....	1	
2	95816-08012-00	BOLT, flange .....	4	
3	95811-06030-00	BOLT, FLANGE .....	4	
4	95701-06300-00	NUT, NYLON .....	4	
5	90465-06013-00	CLAMP .....	1	
6	8V0-23858-00-00	SPACER .....	2	

Property of [www.SmallEngineDiscount.com](http://www.SmallEngineDiscount.com) - Not for Resale



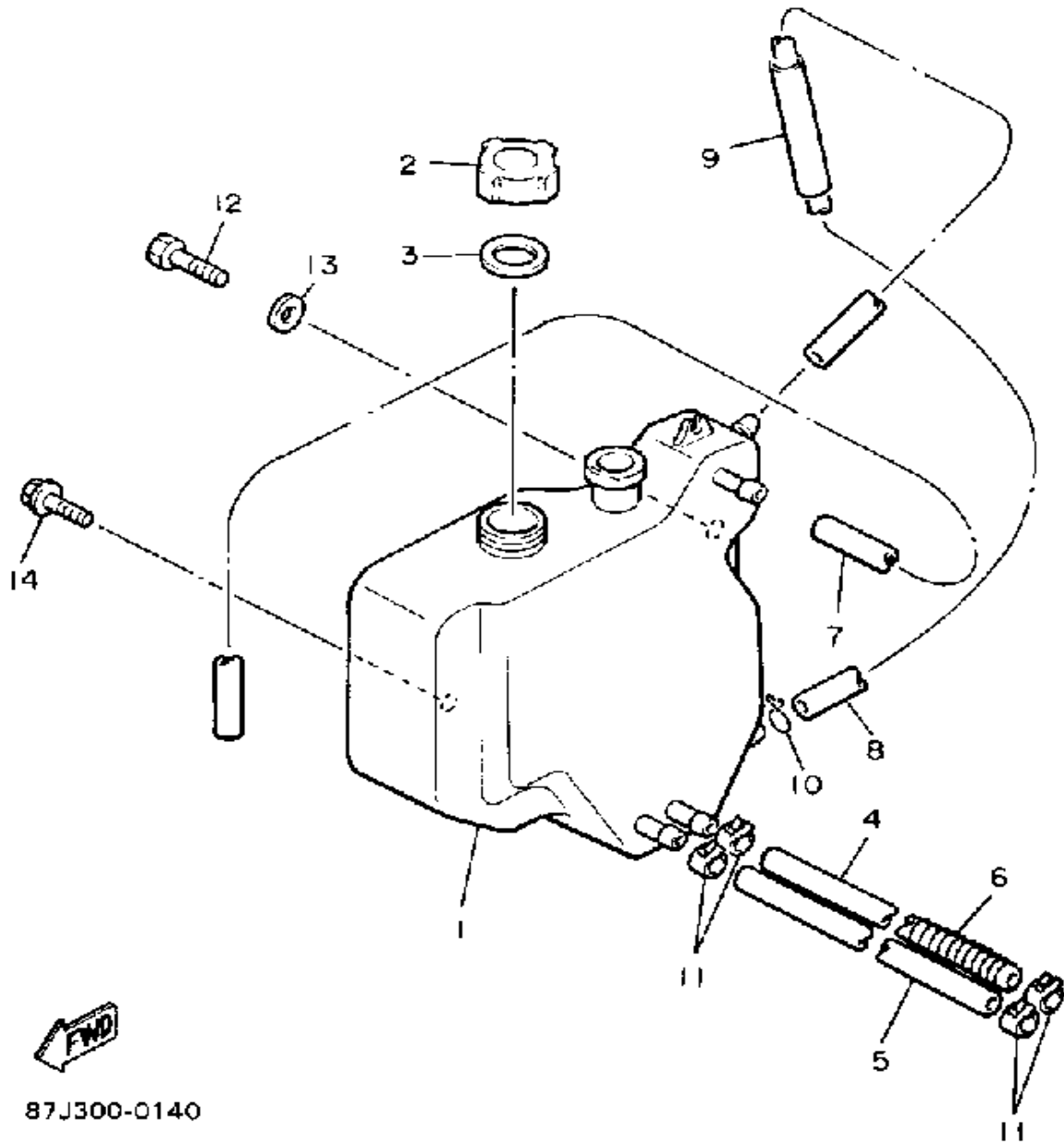
# CONTROL CABLE



Ref. No.	Part Number	Description	Qty	Remarks
1	85F-26311-00-00	CABLE, THROTTLE 1	1	
2	90465-10189-00	CLAMP	1	
3	8V0-26331-00-00	CABLE, STARTER 1	1	
4	8M6-26334-00-00	CABLE, STARTER 2	1	
5	4U1-26261-00-00	CONNECTOR, CABLE	1	
6	5L6-26272-00-00	CAP	1	
7	8V0-26334-00-00	CABLE, STARTER 2	1	
8	87F-26340-00-00	CABLE, BRAKE	1	
9	86F-26241-00-00	GRIP ASSEMBLY	2	
10	341-26397-01-00	BAND	1	
11	90387-22726-00	COLLAR	1	

Property of [www.SmallEngineDiscount.com](http://www.SmallEngineDiscount.com) - Not for Resale

# OIL TANK



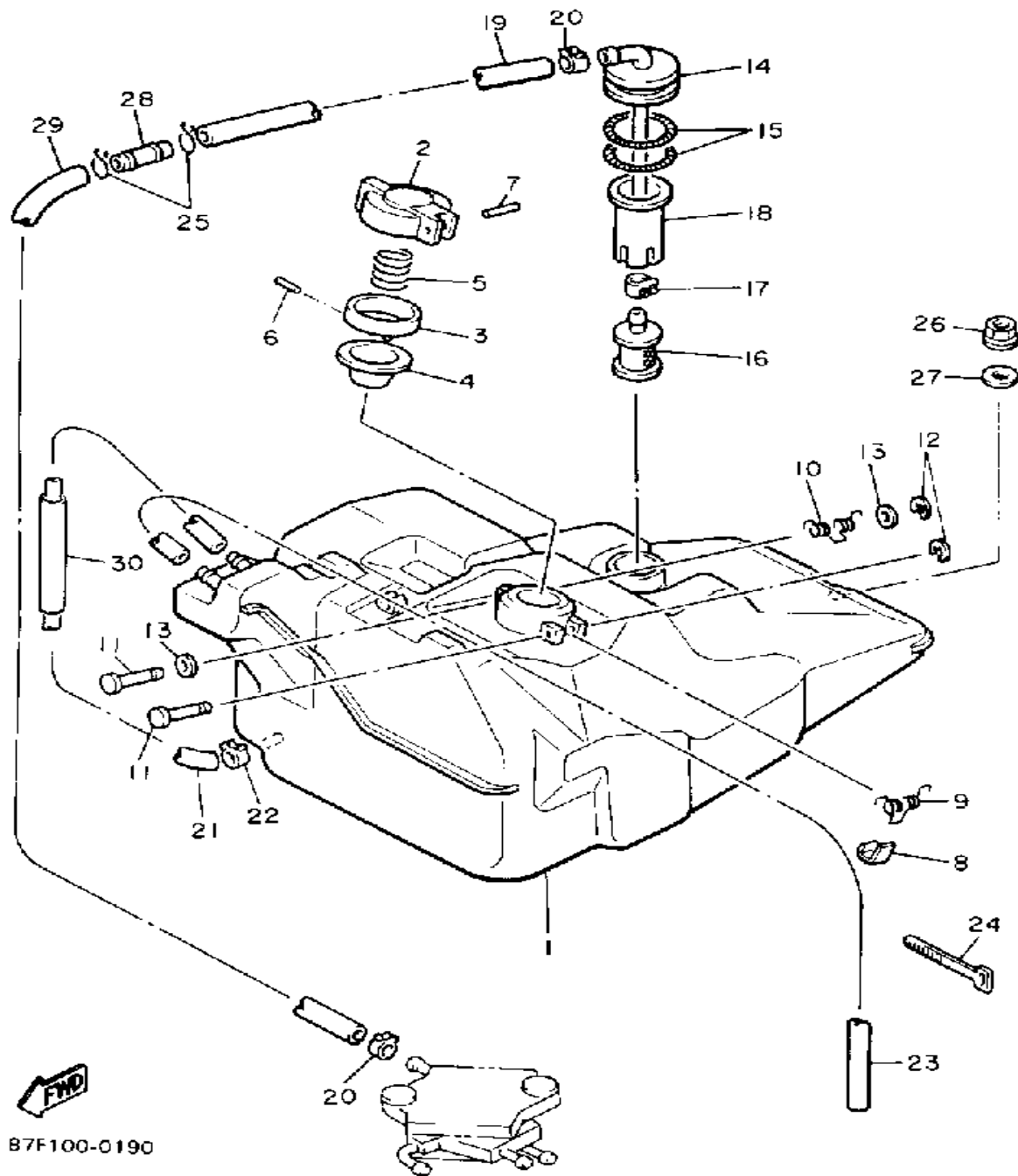
**FWD**  
87J300-0140

Ref. No.	Part Number	Description	Qty	Remarks
1	8V0-21751-02-00	TANK, OIL .....	1	
2	863-21771-00-00	BODY, CAP .....	1	
3	90430-31003-00	GASKET .....	1	
4	90446-09088-00	HOSE .....	1	
5	90446-09327-00	HOSE .....	1	
6	8F3-24328-00-00	PROTECTOR, PIPE .....	1	
7	90446-09016-00	HOSE .....	1	
8	90446-09224-00	HOSE .....	1	
9	8K1-24326-00-00	PROTECTOR, PIPE .....	1	
10	90467-09005-00	CLIP, SCISSOR .....	1	
11	90467-09026-00	CLIP .....	4	
12	97011-06010-00	BOLT .....	1	
13	92990-06600-00	WASHER, PLATE .....	1	
14	90119-06056-00	BOLT, WITH WASHER .....	1	

Property of [www.SmallEngineDiscount.com](http://www.SmallEngineDiscount.com) - Not for Resale

D6

# FUEL TANK



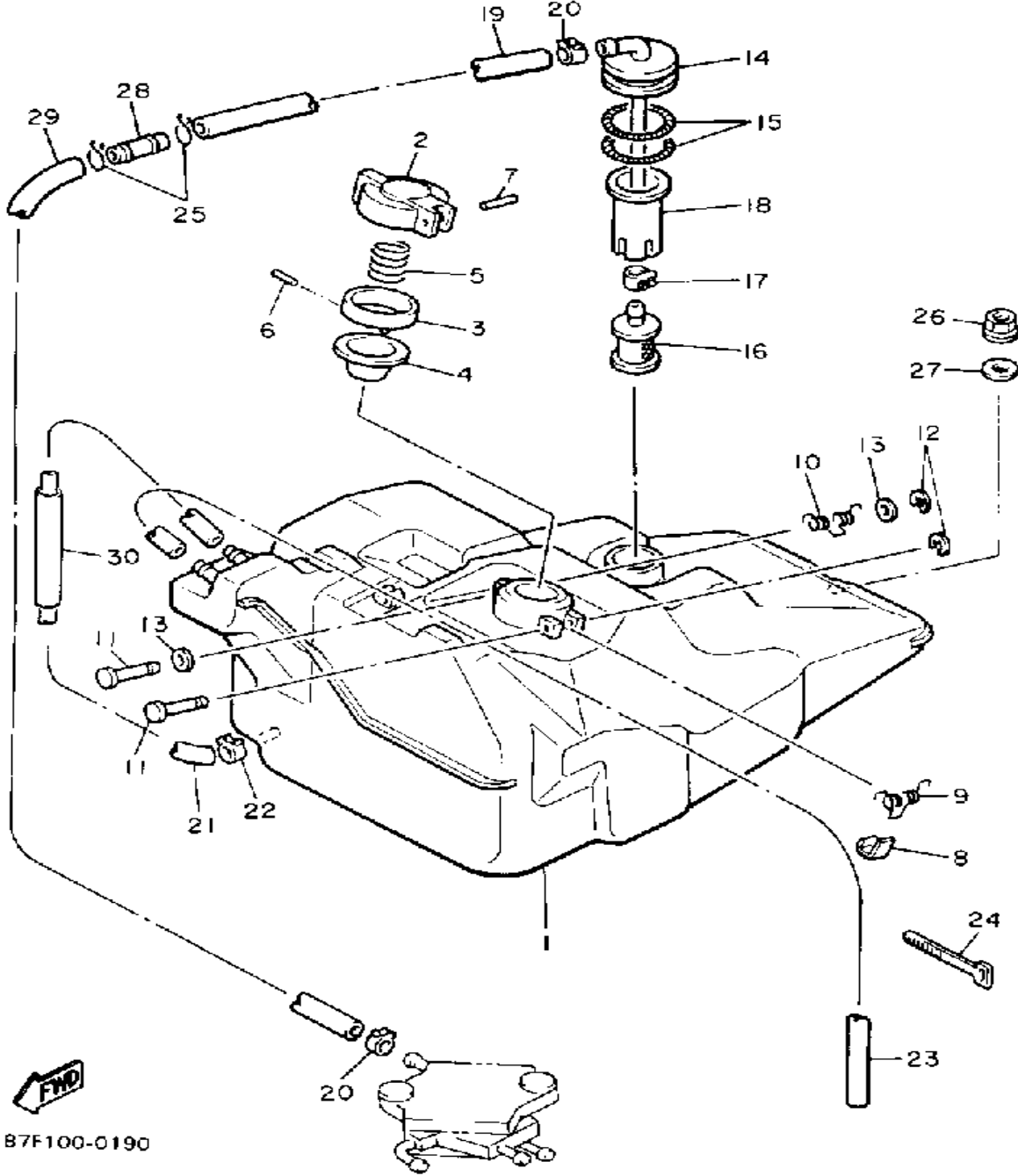
87F100-0190

Ref. No.	Part Number	Description	Qty	Remarks
1	8V0-24111-03-00	TANK, FUEL	1	
2	813-24611-01-00	BODY, CAP	1	
3	813-24613-01-00	DISC, CAP	1	
4	8F7-24641-00-00	GASKET, CAP 1	1	
5	90501-20130-00	SPRING, COMPRESSION	1	
6	91609-30016-00	PIN, SPRING	1	
7	91609-25032-00	PIN, SPRING	1	
8	83M-24628-00-00	HOOK	1	
9	90508-10715-00	SPRING, TORSION	1	
10	90508-08353-00	SPRING, TORSION	1	
11	90249-03017-00	PIN	2	
12	93430-02001-00	CIRCLIP	2	
13	90201-03313-00	WASHER, PLATE	2	
14	86M-24335-00-00	PIPE, SUCTION 1	1	
15	90506-06065-00	SPRING, TENSION	2	
16	8H5-24560-00-00	FILTER ASSEMBLY	1	
17	90467-11028-00	CLIP	1	
18	8V0-24336-00-00	PIPE, SUCTION 2	1	
19	90446-11269-00	HOSE	1	
20	90467-11028-00	CLIP	1	
21	90446-09013-00	HOSE (90446-09079)	1	
22	90467-09026-00	CLIP	1	
23	90446-09155-00	HOSE	1	
24	341-26397-01-00	BAND	8	
25	90467-11009-00	CLIP	3	
26	95712-08300-00	NUT, LOCK	1	
27	90201-08784-00	WASHER, PLATE	1	
28	878-24379-00-00	PIPE, JOINT 4	1	
29	91A20-07014-00	TUBE, FLEXIBLE VINYL	1	

CONTINUED ON NEXT FRAME ➤

Property of [www.SmallEngineDiscount.com](http://www.SmallEngineDiscount.com) - Not for Resale

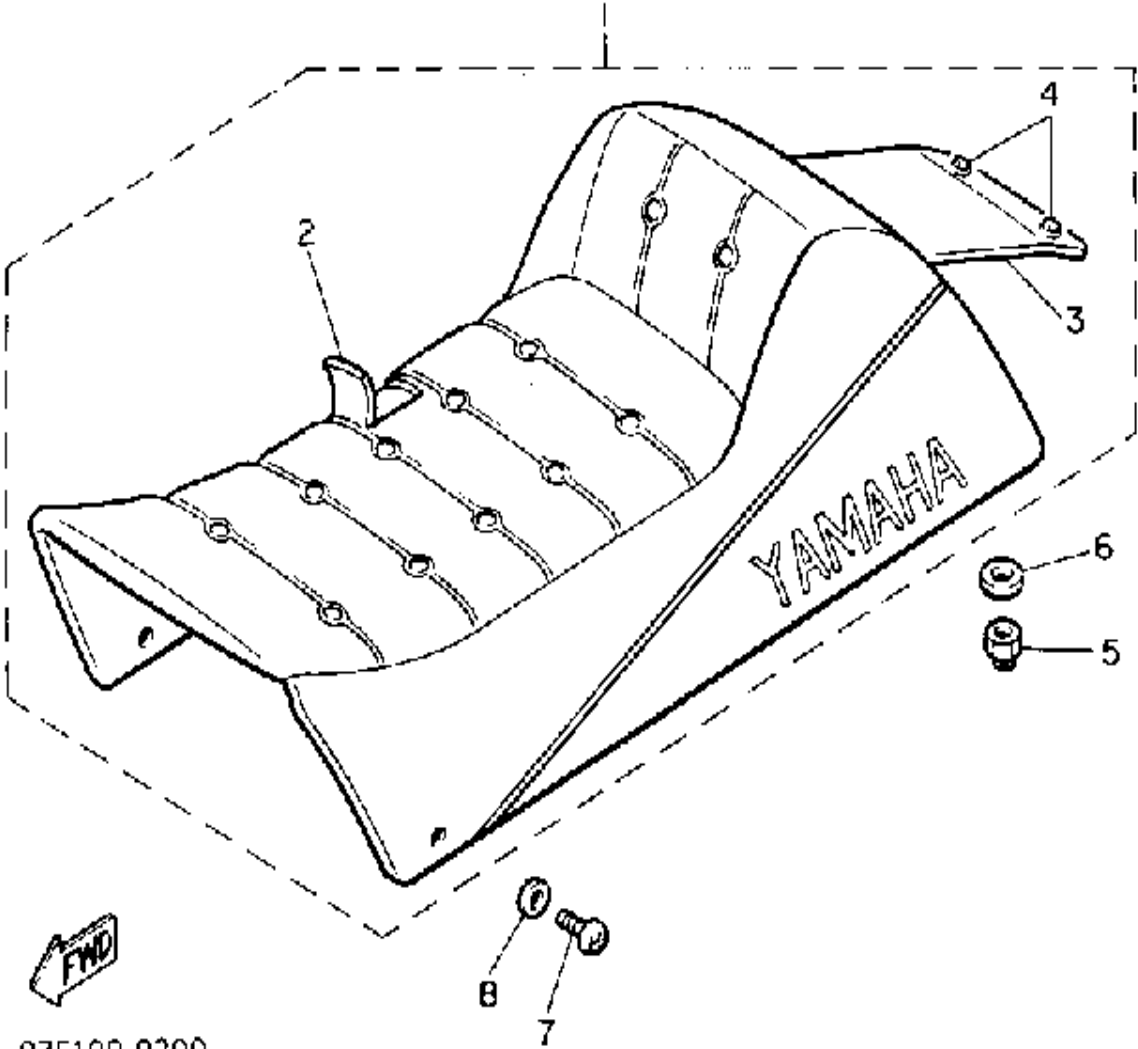
# FUEL TANK



Ref. No.	Part Number	Description	Qty	Remarks
30	8K1-24326-00-00	PROTECTOR, PIPE .....	1	

Property of [www.SmallEngineDiscount.com](http://www.SmallEngineDiscount.com) - Not for Resale

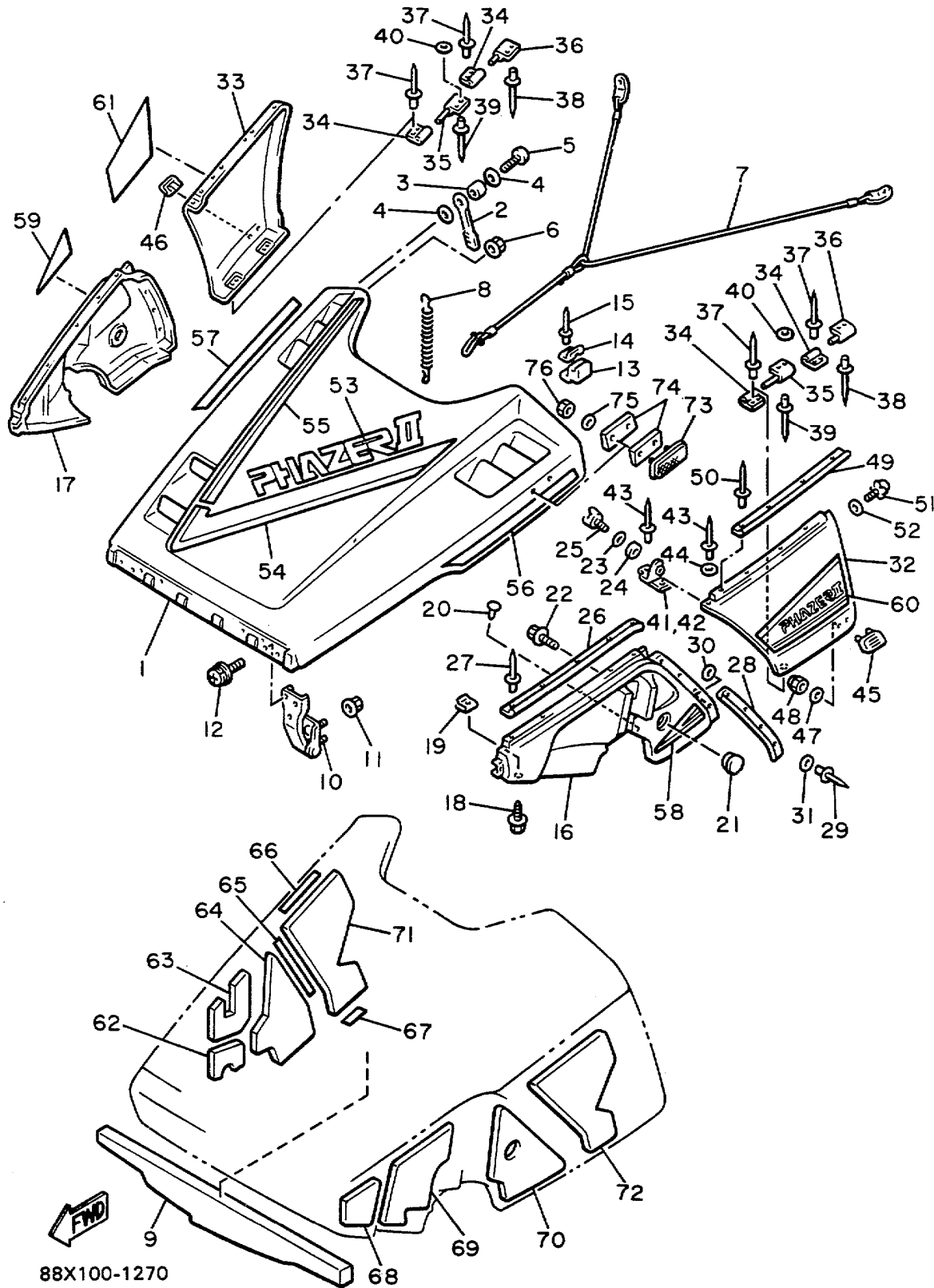
# SEAT



Ref. No.	Part Number	Description	Qty	Remarks
1	88X-24710-00-00	SINGLE SEAT ASSEMBLY	1	
2	88F-24711-00-00	. COVER, SINGLE SEAT	1	
3	8U9-77377-01-00	. COVER, LUGGAGE BOX 2	1	
4	87E-24754-00-00	. HOOK, SEAT	2	
5	95712-08300-00	NUT, LOCK	2	
6	90201-08748-00	WASHER, PLATE	2	
7	98906-06020-00	SCREW, BIND	2	
8	90201-063J2-00	WASHER, PLATE	2	

Property of [www.SmallEngineDiscount.com](http://www.SmallEngineDiscount.com) - Not for Resale

# SHROUD

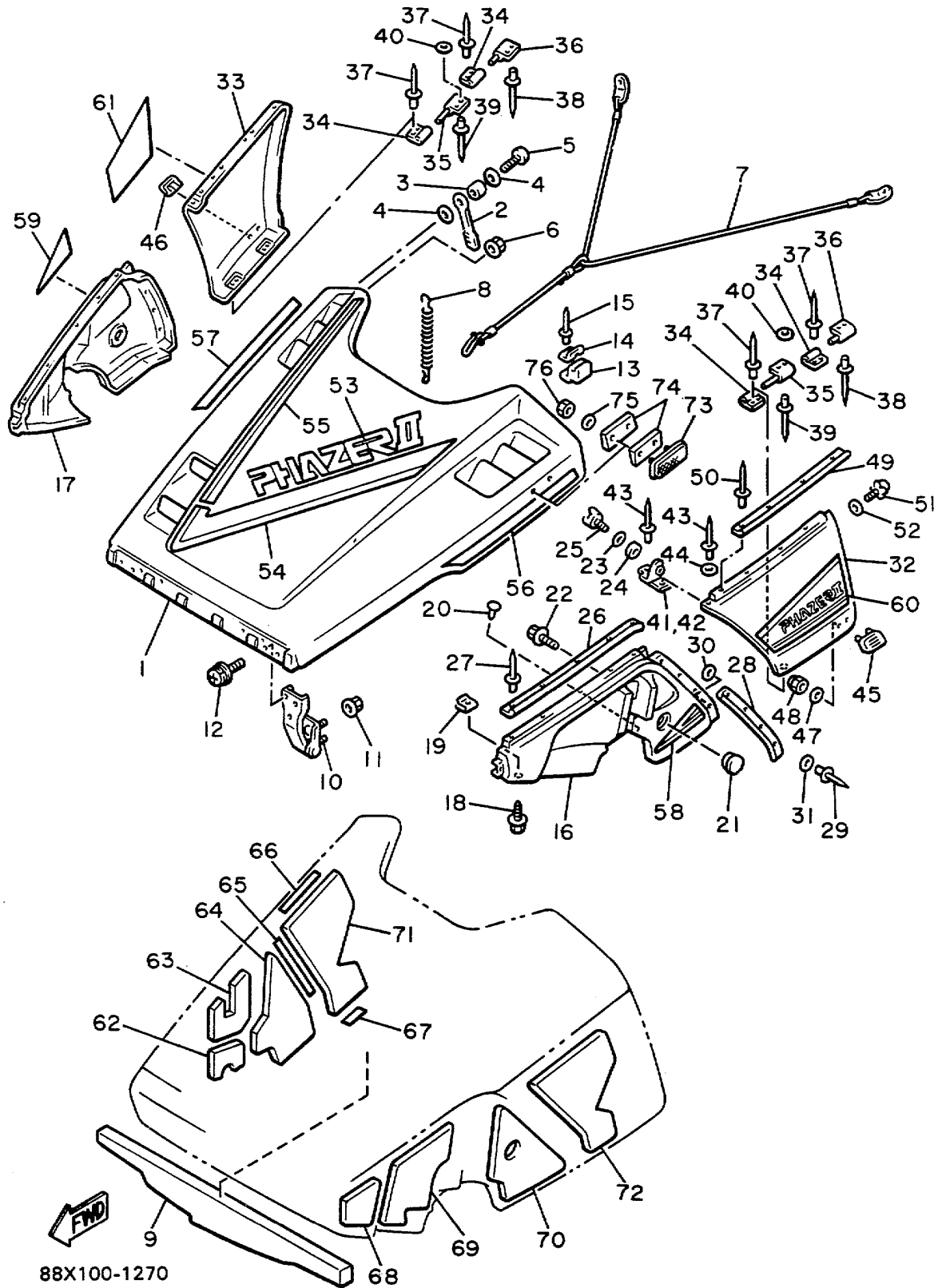


Ref. No.	Part Number	Description	Qty	Remarks
1	88F-Y7711-00-00	SHROUD ASSEMBLY (88F-W7711-00)	1	UR WHITE
2	8V0-77171-00-00	BODY, LATCH 1	2	
3	90387-06241-00	COLLAR	2	
4	90201-06059-00	WASHER, PLATE	4	
5	98906-06030-00	SCREW, BIND	2	
6	95701-06500-00	NUT, FLANGE	2	
7	88F-77118-00-00	STOPPER, SHROUD	1	
8	80L-77159-00-00	CLAMP, ROD	1	
9	80L-77276-00-00	DAMPER, NOISE 6	1	
10	87F-77140-00-00	HINGE ASSEMBLY	2	
11	95701-06500-00	NUT, FLANGE	4	
12	90159-05137-00	SCREW, WITH WASHER	4	
13	8V0-77188-00-00	STOPPER	2	
14	8V0-77116-00-00	WASHER, SPECIAL	2	
15	90267-40029-00	RIVET, BLIND	4	
16	88F-21982-00-00	HOOD 1	1	
17	88F-21983-00-00	HOOD 2	1	
18	90119-06088-00	BOLT, WITH WASHER	10	
19	90183-06023-00	NUT, SPRING	10	
20	90269-05055-00	RIVET	2	
21	90480-40535-00	GROMMET	1	
22	90119-06203-00	BOLT, WITH WASHER	2	
23	90201-065F3-00	WASHER, PLATE	2	
24	90202-06008-00	WASHER, PLATE	2	
25	90122-06020-00	BOLT, WING	2	
26	87F-77515-00-00	BUSH, RUBBER 1	2	
27	90269-05039-00	RIVET	10	
28	8V0-2196T-00-00	TRIM 1	2	

CONTINUED ON NEXT FRAME ►

Property of [www.SmallEngineDiscount.com](http://www.SmallEngineDiscount.com) - Not for Resale

# SHROUD

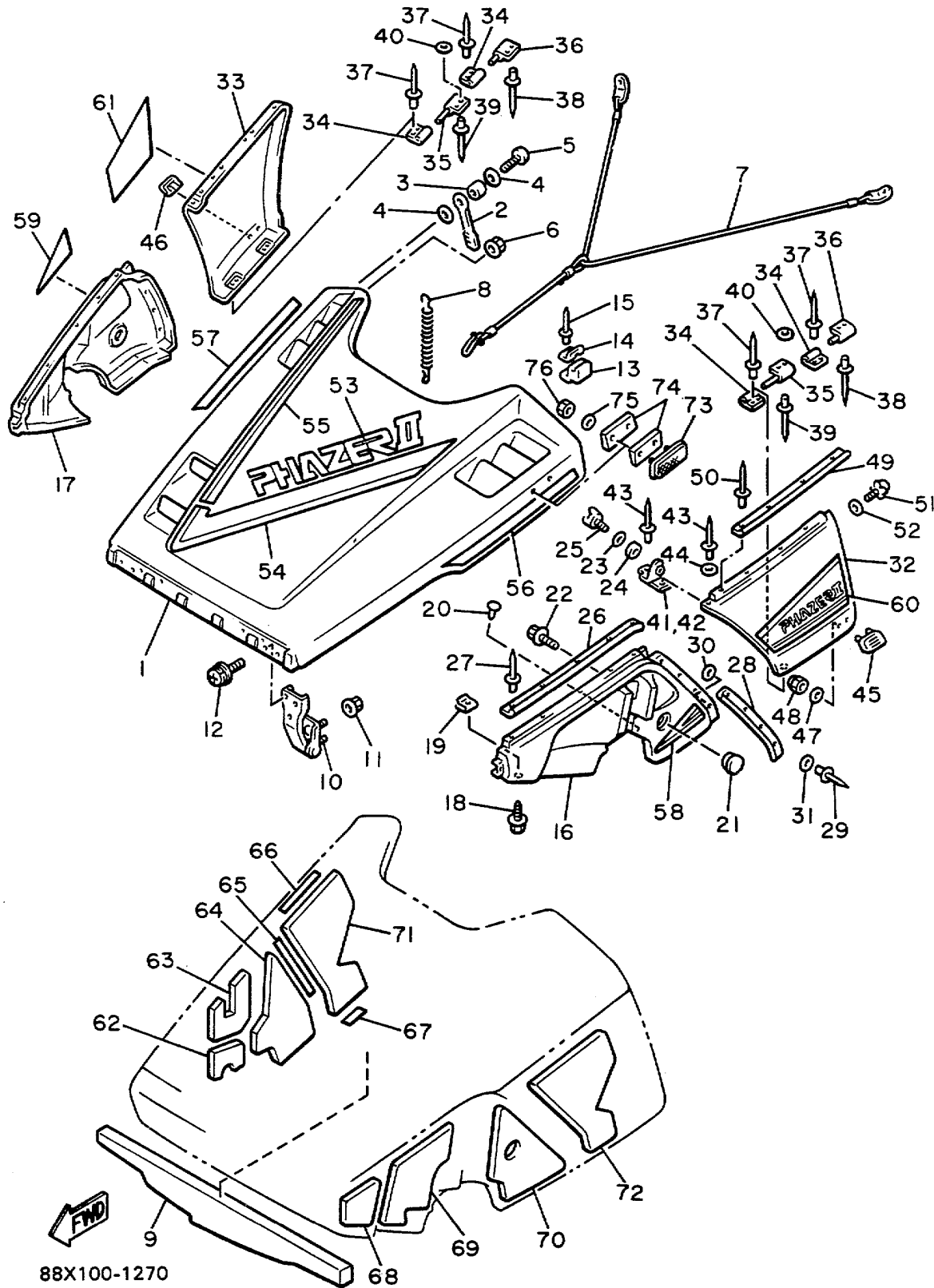


Ref. No.	Part Number	Description	Qty	Remarks
29	90267-40076-00	RIVET, BLIND	8	
30	90201-044A2-00	WASHER, PLATE	8	
31	90201-047A2-00	WASHER, PLATE	8	
32	88F-2197H-00-00	HOOD 3	1	
33	88F-2198H-00-00	HOOD 4	1	
34	88F-2194X-00-00	BRACKET 1	4	
35	88F-2195X-00-00	BRACKET 2	2	
36	88F-2196F-00-00	BRACKET 3	2	
37	90267-48059-00	RIVET, BLIND	8	
38	90267-48057-00	RIVET, BLIND	4	
39	90267-48141-00	RIVET, BLIND	4	
40	90201-04325-00	WASHER, PLATE	4	
41	87F-77553-01-00	PROTECTOR 3 (LH)	1	
42	87F-77554-01-00	PROTECTOR 4 (RH)	1	
43	90267-48088-00	RIVET, BLIND	4	
44	92906-05200-00	WASHER, PLAIN	2	
45	85L-77551-00-00	PROTECTOR 1	1	
46	85L-77552-00-00	PROTECTOR 2	1	
47	90201-05029-00	WASHER, PLATE	4	
48	95701-05300-00	NUT, NYLON	4	
49	8V0-77516-01-00	BUSH, RUBBER 2	2	
50	90269-05039-00	RIVET	8	
51	8V0-77175-00-00	HOLDER, LATCH	2	
52	4U5-2176E-00-00	PLATE	2	
53	88F-77141-00-00	EMBLEM 1 (WHITE)	1	
54	88F-77163-00-00	ORNAMENT 1 (BLUE)	2	
55	88F-77164-00-00	ORNAMENT 2 (WHITE)	2	
56	88F-77113-00-00	ORNAMENT 4 (WHITE)	1	
57	88F-77114-00-00	ORNAMENT 5 (WHITE)	1	

CONTINUED ON NEXT FRAME ►

Property of [www.SmallEngineDiscount.com](http://www.SmallEngineDiscount.com) - Not for Resale

# SHROUD

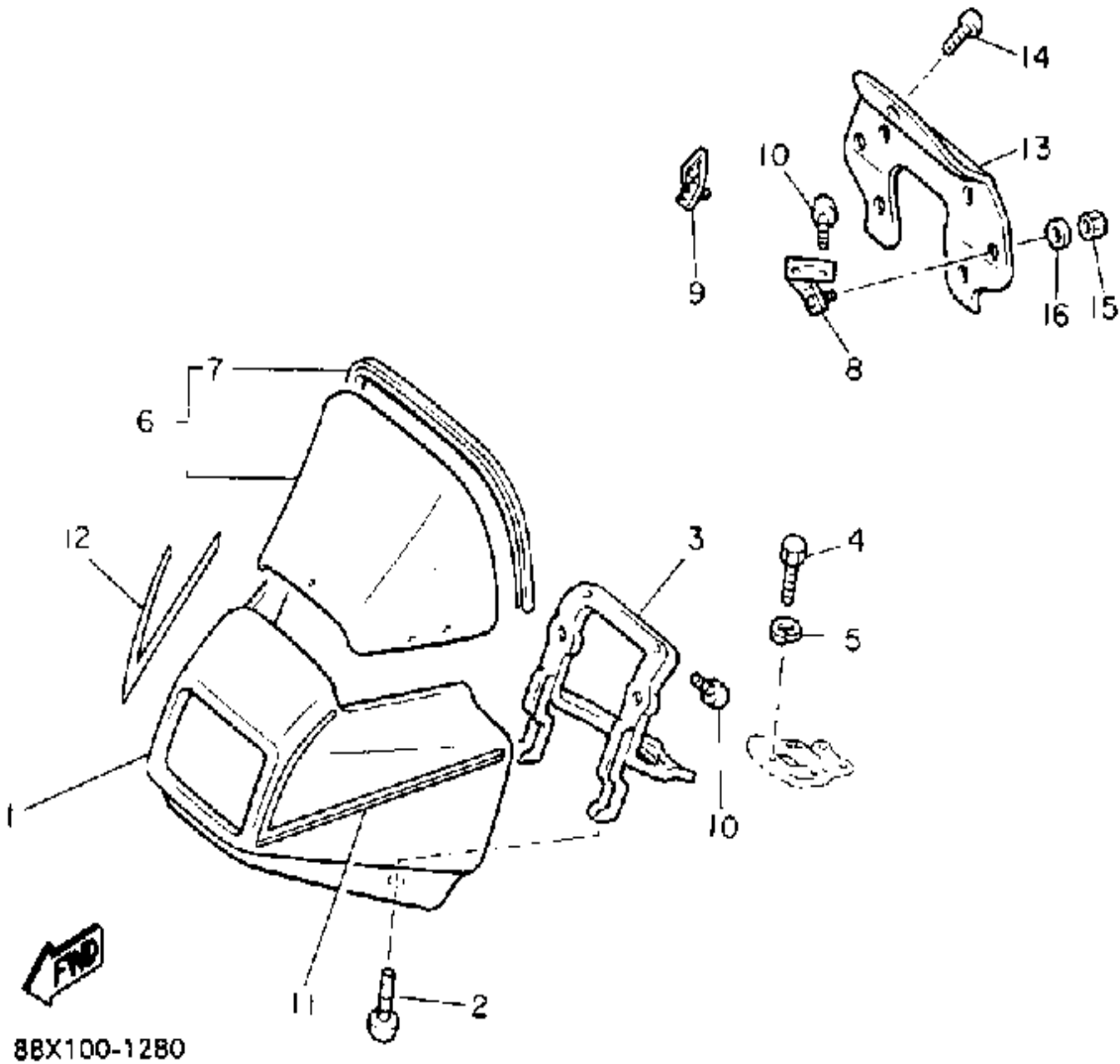


Ref. No.	Part Number	Description	Qty	Remarks
58	88F-77355-00-00	EMBLEM 5 (WHITE)	1	
59	88F-77356-00-00	EMBLEM 6 (BLUE)	1	FOR RED
60	88F-77357-00-00	EMBLEM 7 (WHITE)	1	
61	88F-77358-00-00	EMBLEM 8 (WHITE)	1	
62	87F-77265-01-00	LINING, SHROUD 5	1	
63	87F-77266-01-00	LINING, SHROUD 6	1	
64	87F-77276-01-00	DAMPER, NOISE 6	1	
65	8V0-7717E-00-00	TAPE 1	1	
66	8V0-7717F-00-00	TAPE 2	1	
67	82M-7717G-00-00	TAPE 3	1	
68	87F-77272-00-00	DAMPER, NOISE 2	1	
69	87F-77273-00-00	DAMPER, NOISE 3	1	
70	87F-77274-00-00	DAMPER, NOISE 4	1	
71	8V0-77266-00-00	LINING, SHROUD 6	1	
72	8V0-77275-00-00	DAMPER, NOISE 5	1	
73	80E-85110-00-00	REFLECTOR ASSEMBLY	2	
74	80E-85115-00-00	BASE, REFLECTOR	4	
75	92901-05600-00	WASHER, PLATE	4	
76	95701-05300-00	NUT, NYLON	4	

Property of [www.SmallEngineDiscount.com](http://www.SmallEngineDiscount.com) - Not for Resale



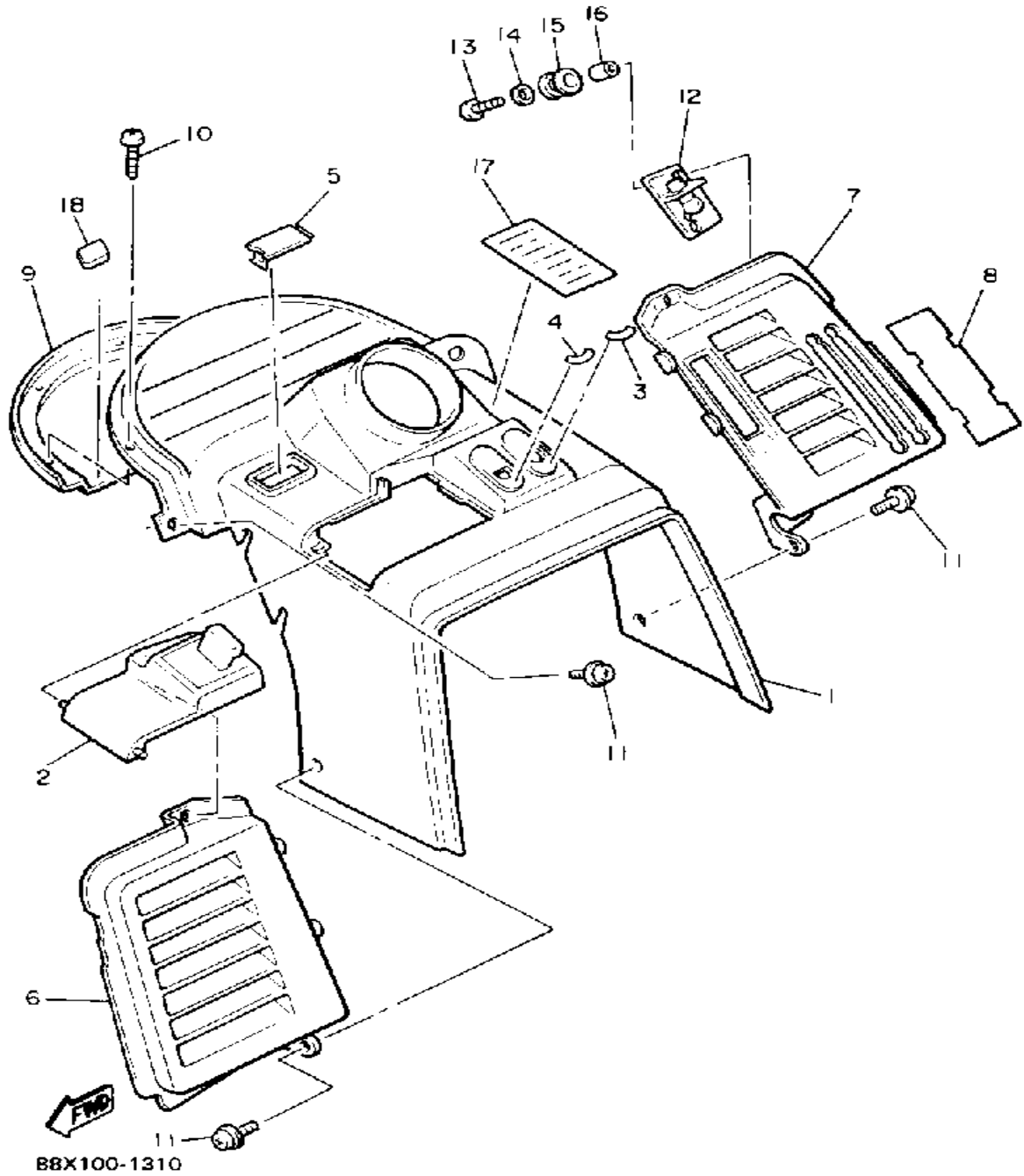
# WINDSHIELD



Ref. No.	Part Number	Description	Qty	Remarks
1	86F-77231-70-00	FAIRING .....	1	
2	98906-06010-00	SCREW, BIND .....	2	
3	8V0-77241-00-00	STAY, FAIRING .....	1	
4	97011-06025-00	BOLT (97001-06025) .....	3	
5	92995-06100-00	WASHER, SPRING .....	3	
6	87F-77210-00-00	WINDSHIELD COMP. ....	1	
7	87F-77213-00-00	. TRIM, UPPER .....	1	
8	8X9-77218-00-00	WASHER 1 .....	1	
9	8X9-77219-00-00	WASHER 2 .....	1	
10	90154-05023-00	SCREW, BINDING .....	6	
11	88F-77281-00-00	STRIPE 1 .....	1	
12	88F-77282-00-00	STRIPE 2 .....	1	
13	8X9-77251-00-00	COVER, HEADLIGHT .....	1	
14	90154-05005-00	SCREW, BINDING .....	1	
15	90176-05059-00	NUT, CROWN .....	2	
16	90201-054K4-00	WASHER, PLATE .....	2	

Property of [www.SmallEngineDiscount.com](http://www.SmallEngineDiscount.com) - Not for Resale

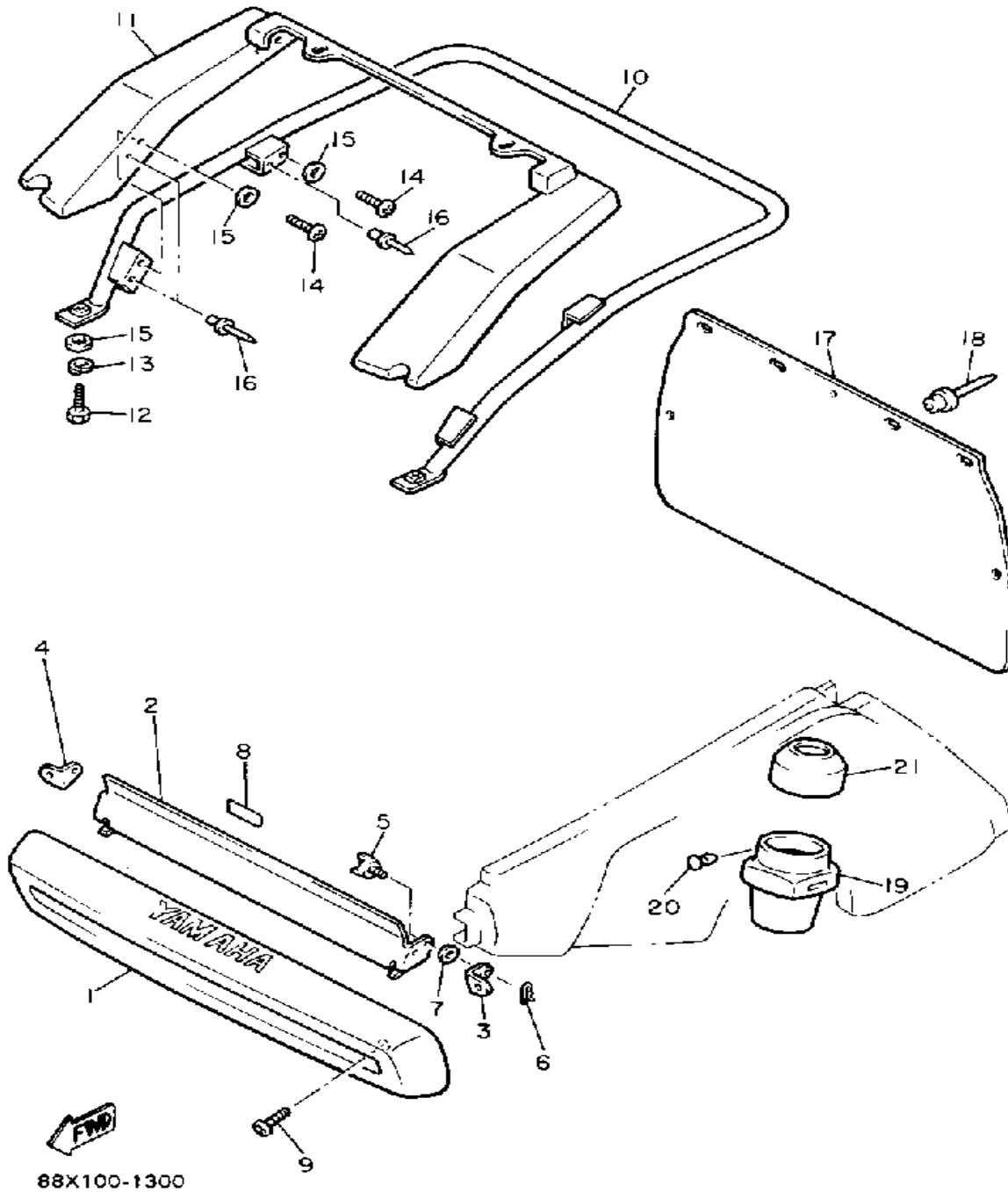
# INSTRUMENT PANEL



Ref. No.	Part Number	Description	Qty	Remarks
1	8X9-77711-01-00	PANEL, INSTRUMENT .....	1	
2	8X9-77712-01-00	PANEL, INSTRUMENT .....	1	
3	8U9-77741-00-00	INDICATOR 1 .....	1	
4	8U9-77742-00-00	INDICATOR 2 .....	1	
5	8X9-77740-00-00	GROMMET, INSTRUMENT PANEL .....	1	
6	8X9-77131-00-00	LOUVER 1 .....	1	
7	8X9-77132-00-00	LOUVER 2 .....	1	
8	8V0-7716E-00-00	REFLECTOR 1 .....	2	
9	8V0-77731-00-00	SHIELD 1 .....	1	
10	98906-05012-00	SCREW, BIND .....	4	
11	90159-05137-00	SCREW, WITH WASHER .....	4	
12	80L-77721-00-00	BRACKET 1 .....	1	
13	97706-50520-00	SCREW, TAPPING .....	2	
14	90201-05033-00	WASHER, PLATE .....	2	
15	90480-13428-00	GROMMET .....	2	
16	90387-053H3-00	COLLAR .....	2	
17	87F-77761-00-00	LABEL, WARNING 1 .....	1	UR
18	81H-77731-00-00	SHIELD 1 .....	1	

Property of [www.SmallEngineDiscount.com](http://www.SmallEngineDiscount.com) - Not for Resale

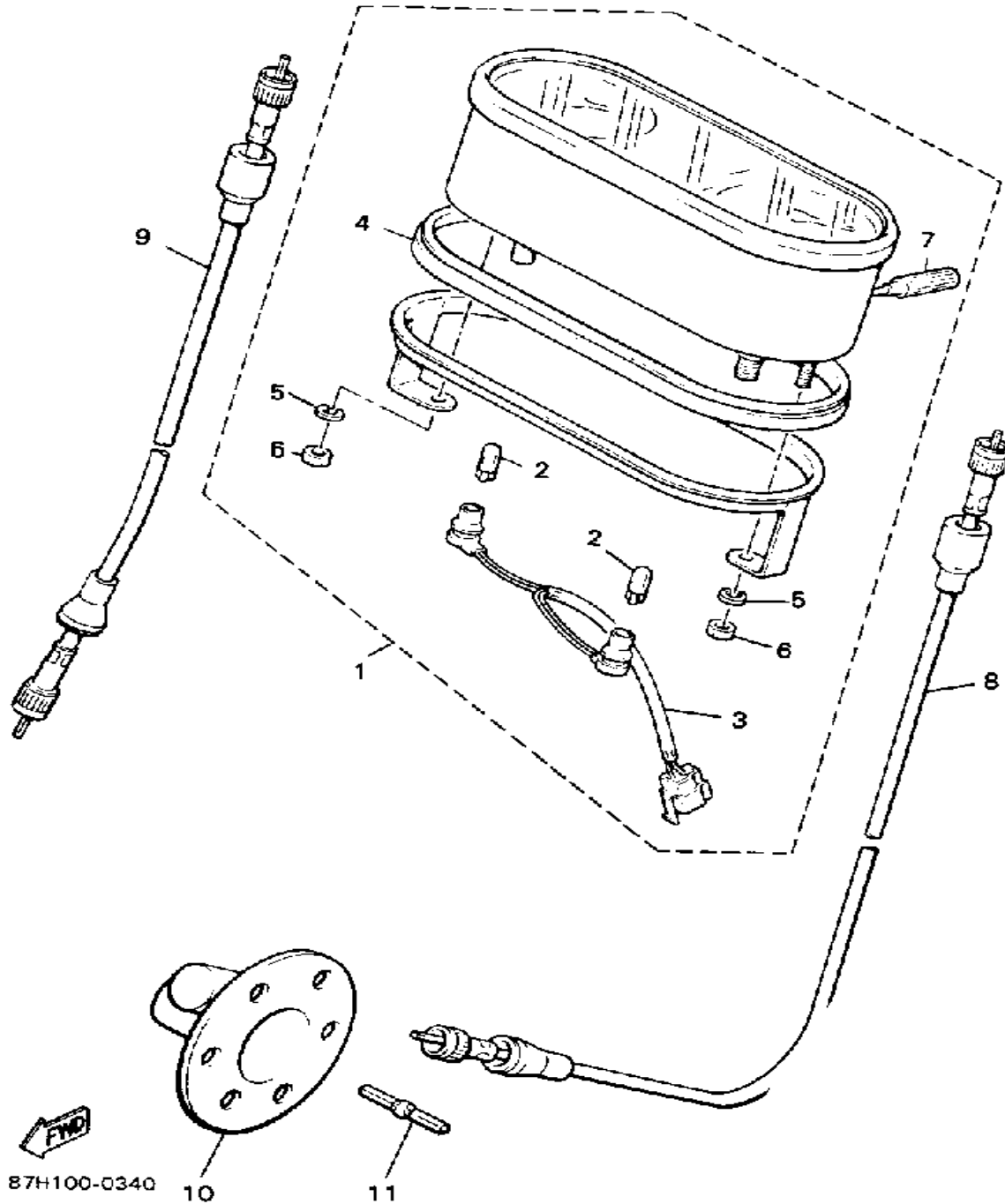
# BUMPER



Ref. No.	Part Number	Description	Qty	Remarks
1	88F-77511-00-00	BUMPER, FRONT 1 (WHITE) ..	1	
2	80L-77185-00-00	PLATE 1 .....	1	
3	87F-77125-00-00	STAY 1 .....	1	
4	87F-77126-00-00	STAY 2 .....	1	
5	90122-05022-00	BOLT, WING .....	2	
6	90468-10003-00	CLIP .....	2	
7	90202-05088-00	WASHER, PLATE .....	2	
8	8Y0-77762-00-00	LABEL, WARNING 2 .....	1	UR
9	98906-06016-00	SCREW, BIND .....	2	
10	88X-77541-00-00	BUMPER, REAR 1 .....	1	
11	88X-77542-00-00	BUMPER, REAR 2 .....	1	
12	97011-08016-00	BOLT .....	2	
13	92990-08100-00	WASHER .....	2	
14	98980-08025-00	SCREW, BIND (98902-08025) ..	4	
15	92990-08200-00	WASHER, PLAIN .....	6	
16	90267-48117-00	RIVET, BLIND .....	4	
17	85L-77595-00-00	FLAP .....	1	
18	90267-48086-00	RIVET, BLIND .....	5	
19	82M-77551-00-00	PROTECTOR 1 .....	2	
20	90269-04025-00	RIVET .....	2	
21	82M-77554-01-00	PROTECTOR 4 .....	2	

Property of [www.SmallEngineDiscount.com](http://www.SmallEngineDiscount.com) - Not for Resale

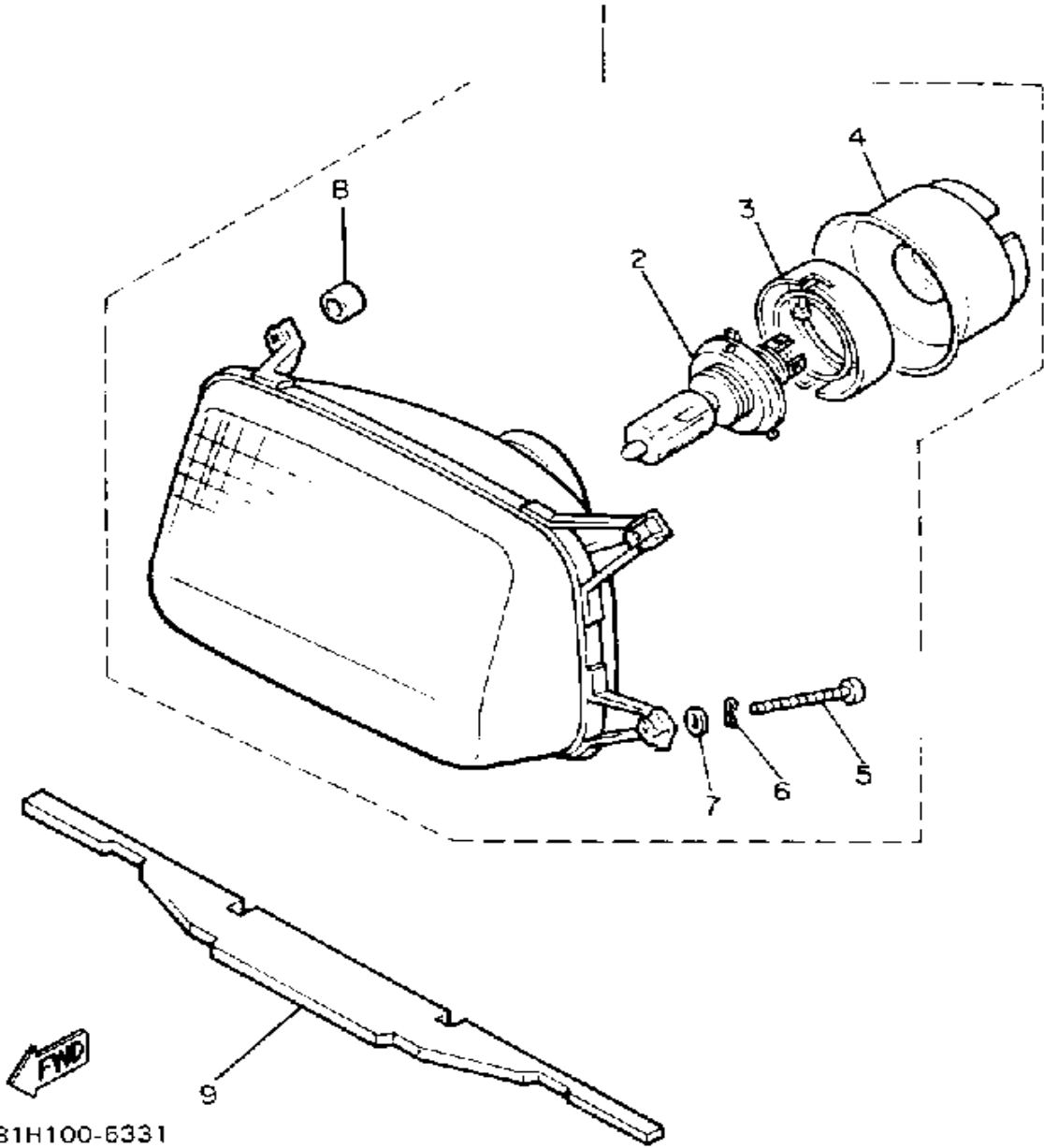
# METER



Ref. No.	Part Number	Description	Qty	Remarks
1	87F-83500-40-00	SPEEDOMETER ASSEMBLY (MILE/H)	1	MILE / H
2	4G1-84744-00-00	. BULB, MTR.12V3.4W	2	
3	8V0-83536-00-00	. SOCKET, METER	1	
4	8K4-83513-00-00	. DAMPER	1	
5	92990-05100-00	. WASHER, SPRING	2	
6	95380-05600-00	. NUT	2	
7	8L8-83578-00-00	. KNOB, TRIP METER	1	
8	8K4-83550-00-00	SPEEDOMETER CABLE ASSEMBLY	1	
9	8A1-83550-02-00	SPEEDOMETER CABLE ASSEMBLY	1	
10	8L8-47700-00-00	METER GEAR HOUSING COMP.	1	
11	8K4-47715-00-00	JOINT	1	

Property of [www.SmallEngineDiscount.com](http://www.SmallEngineDiscount.com) - Not for Resale

# HEADLIGHT

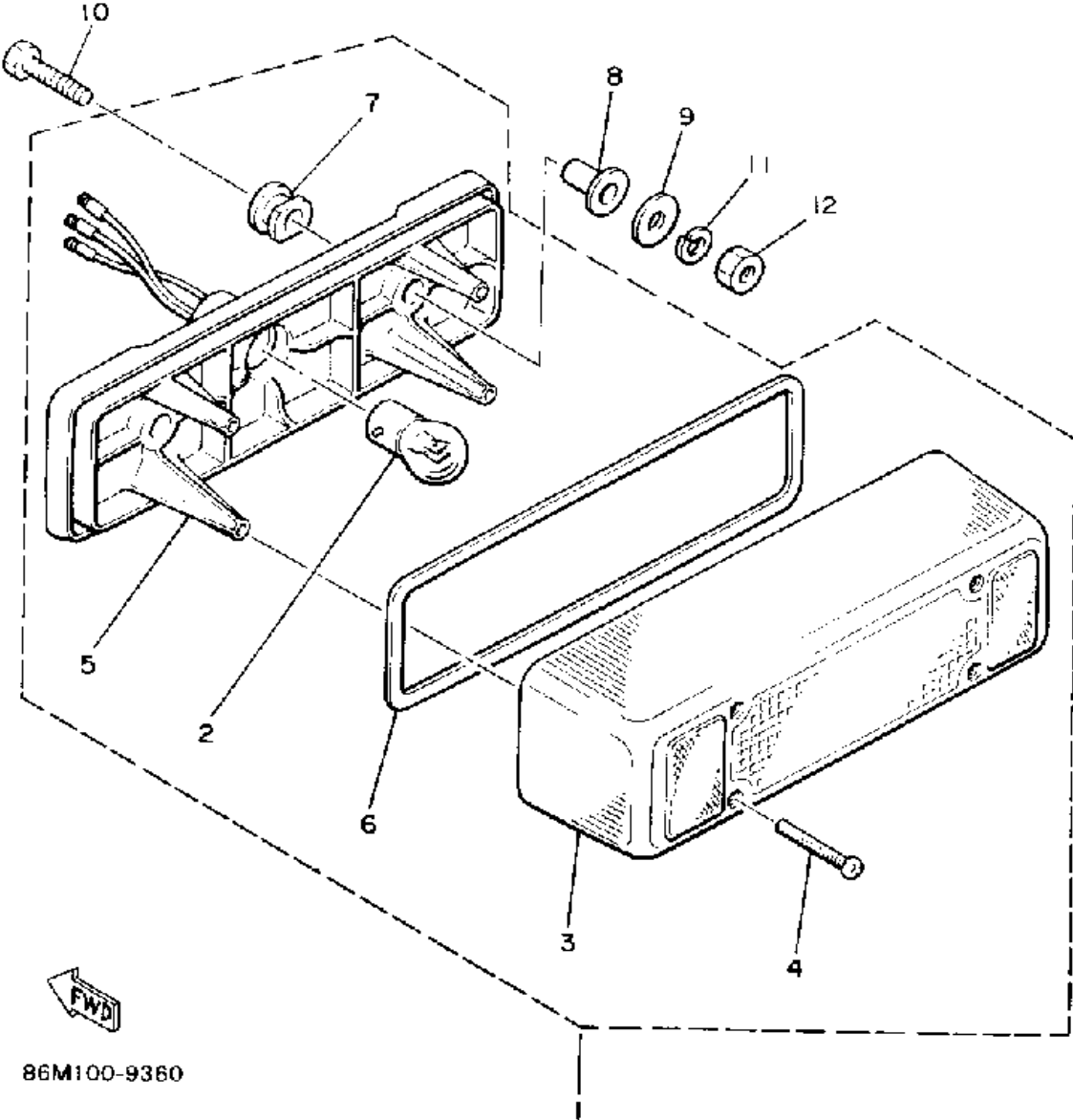


Ref. No.	Part Number	Description	Qty	Remarks
1	86M-84310-00-00	HEADLIGHT UNIT ASSEMBLY	1	
2	5V2-84314-00-XX	. BULB, HL 12V60/55W (2F9-84314-00)	1	
3	8A7-84312-00-00	. HOLDER, SOCKET	1	
4	8A7-84397-01-00	. COVER, SOCKET	1	
5	8V0-84331-00-00	. SCREW, RIM ADJUSTING	4	
6	8V0-84374-00-00	. CLIP	4	
7	8V0-84327-00-00	. WASHER, SPECIAL	4	
8	8V0-84366-00-00	. DAMPER, HEADLIGHT 1	4	
9	8W6-84366-00-00	DAMPER, HEADLIGHT 1	1	

81H100-6331

Property of [www.SmallEngineDiscount.com](http://www.SmallEngineDiscount.com) - Not for Resale

# TAILLIGHT



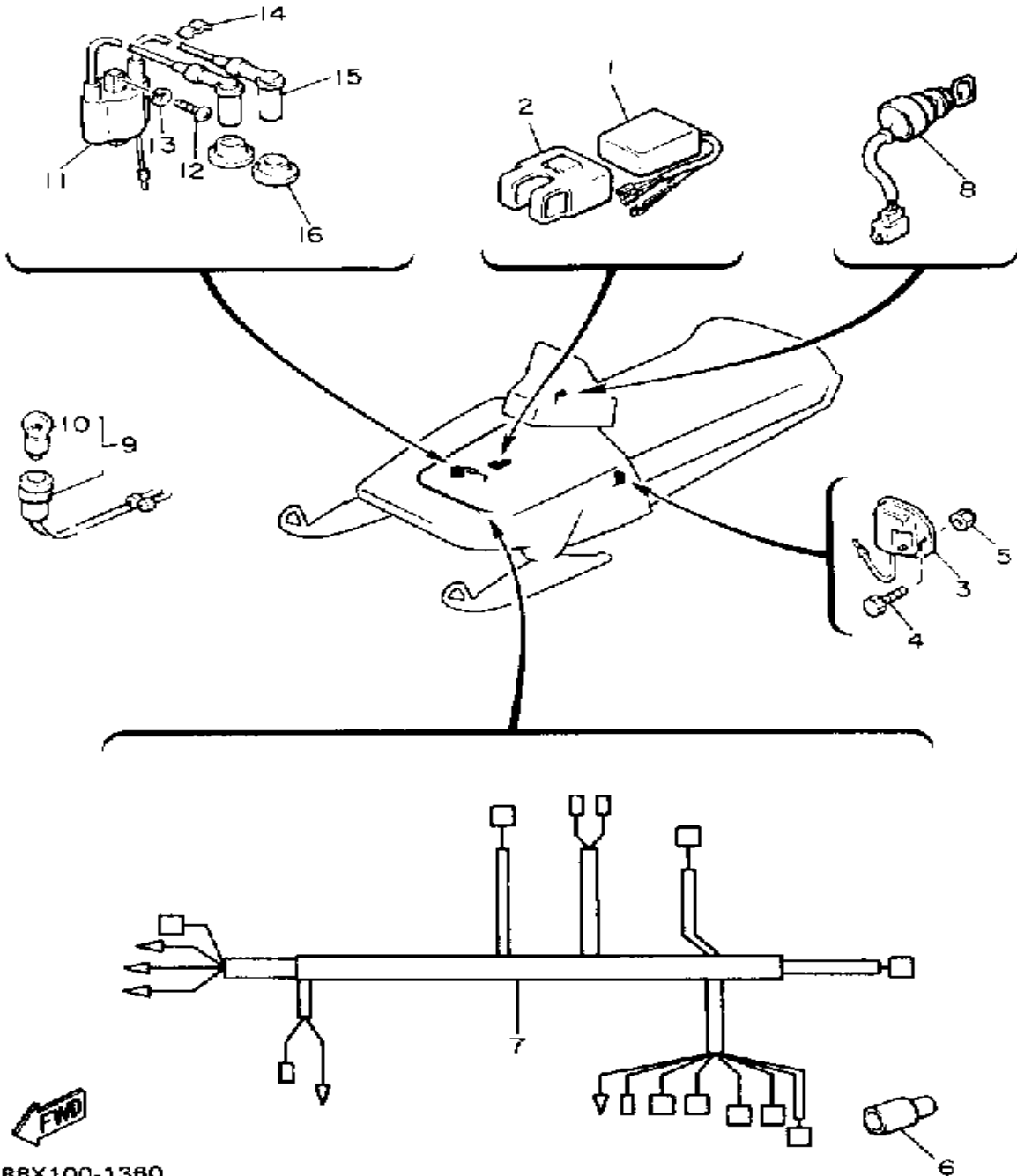
86M100-9360

Ref. No.	Part Number	Description	Qty	Remarks
1	82M-84710-00-00	TAILLIGHT UNIT ASSEMBLY ..	1	
2	137-84714-61-00	. BULB, TL 12V23/8W (J50-83311-00) .....	1	
3	8K4-84721-00-00	. LENS, TAILLIGHT .....	1	
4	97780-40130-00	. SCREW, PANHEAD TAPPING (97701-40130-00) .....	4	
5	82M-84711-00-00	. BASE, TAILLIGHT .....	1	
6	87M-84723-00-00	. GASKET, TAIL LENS .....	1	
7	8K4-84718-00-00	. GROMMET .....	1	
8	90387-066N1-00	COLLAR .....	2	
9	90201-06407-00	WASHER, PLATE (90201-06747-00) .....	4	
10	97001-06035-00	BOLT .....	2	
11	92995-06100-00	WASHER, SPRING .....	2	
12	95380-06600-00	NUT .....	2	

Property of [www.SmallEngineDiscount.com](http://www.SmallEngineDiscount.com) - Not for Resale

# ELECTRICAL 1

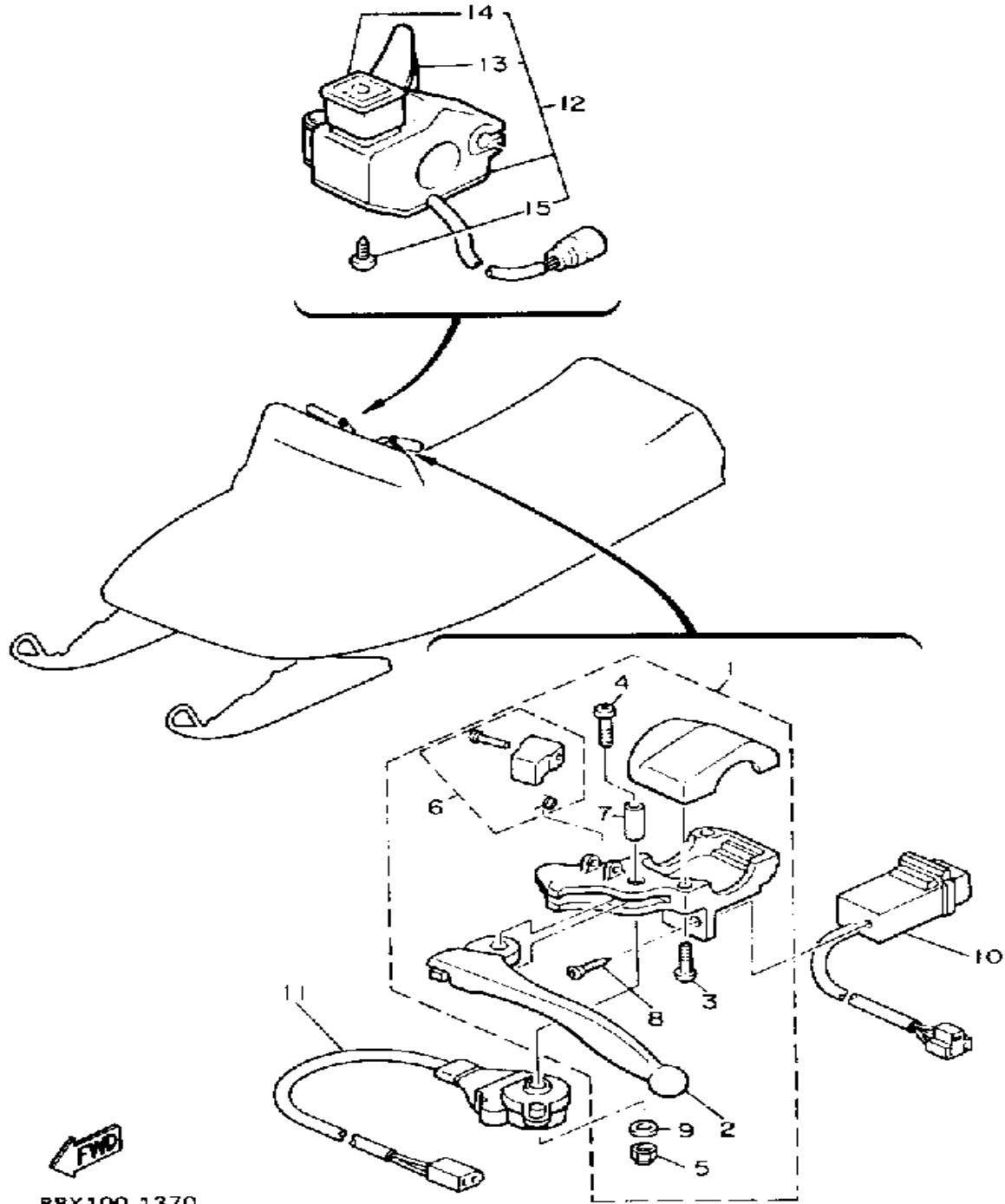
Ref. No.	Part Number	Description	Qty	Remarks
1	8V0-85540-21-00	C.D.I. UNIT ASSEMBLY	1	
2	2A7-85546-00-00	BAND	1	
3	82M-81910-A0-00	VOLTAGE REGULATOR ASSEMBLY	1	
4	97026-06014-00	BOLT	2	
5	95701-06300-00	NUT, NYLON	2	
6	8Y0-82599-00-00	COVER, CONNECTER	1	
7	87F-82590-01-00	WIRE HARNESS ASSEMBLY	1	
8	8K4-82508-20-00	MAIN SWITCH ASSEMBLY	1	
9	8V0-84301-00-00	PILOT LIGHT ASSEMBLY 1	1	
10	8V0-85353-00-00	. BULB (12V5W)	1	
11	85T-82310-00-00	IGNITION COIL ASSEMBLY	1	
12	98580-06020-00	SCREW	2	
13	92995-06100-00	WASHER, SPRING	2	
14	861-82361-00-00	CLAMP, CORD	1	
15	8K1-82370-20-00	PLUG CAP ASSEMBLY (WITH RESISTOR)	2	
16	8V0-82372-00-00	SEAL, PLUG CAP	2	



B8X100-1360

Property of [www.SmallEngineDiscount.com](http://www.SmallEngineDiscount.com) - Not for Resale

# ELECTRICAL 2



BBX100-1370

Ref. No.	Part Number	Description	Qty	Remarks
1	88R-W8291-00-00	LEVER HOLDER ASSEMBLY (LEFT)	1	
2	8H8-83912-00-00	. LEVER 1	1	
3	90157-05057-00	. SCREW, PANHEAD	2	
4	90157-05113-00	. SCREW, PAN HEAD	1	
5	95701-05300-00	. NUT, NYLON	1	
6	82A-83930-00-00	. LEVER LOCK ASSEMBLY	1	
7	802-83913-00-00	. COLLAR, LEVER 1	1	
8	97780-30312-00	. SCREW, tapping	2	
9	92990-05200-00	. WASHER, PLAIN	1	
10	8H8-83950-01-00	BEAM SWITCH ASSEMBLY (8K4-83950-01-00)	1	
11	88R-82530-00-00	STOP SWITCH ASSEMBLY	1	
12	84R-82720-00-00	LEVER HOLDER ASSEMBLY (RIGHT)	1	
13	8V0-42138-00-00	. LEVER, THROTTLE	1	
14	84R-82575-09-00	. ENGINE STOP SWITCH ASSEMBLY	1	
15	8R6-83928-00-00	. SCREW	1	

Property of www.SmallEngineDiscount.com - Not for Resale