



**YAMAHA**

**GENUINE**

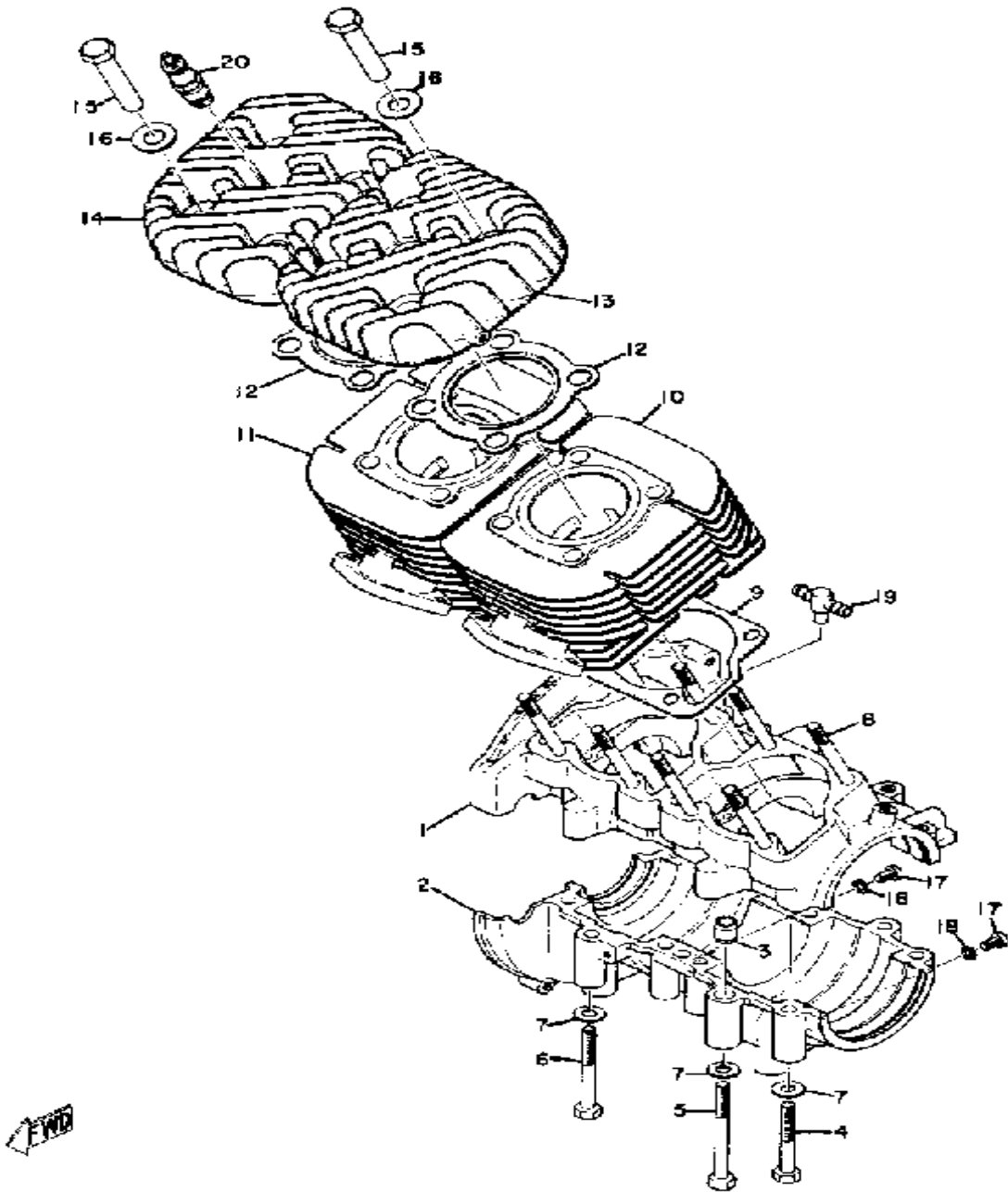
**PARTS CATALOGUE**

**SNOWMOBILE**

Property of [www.SmallEngineDiscount.com](http://www.SmallEngineDiscount.com) - Not for Resale

**A1**

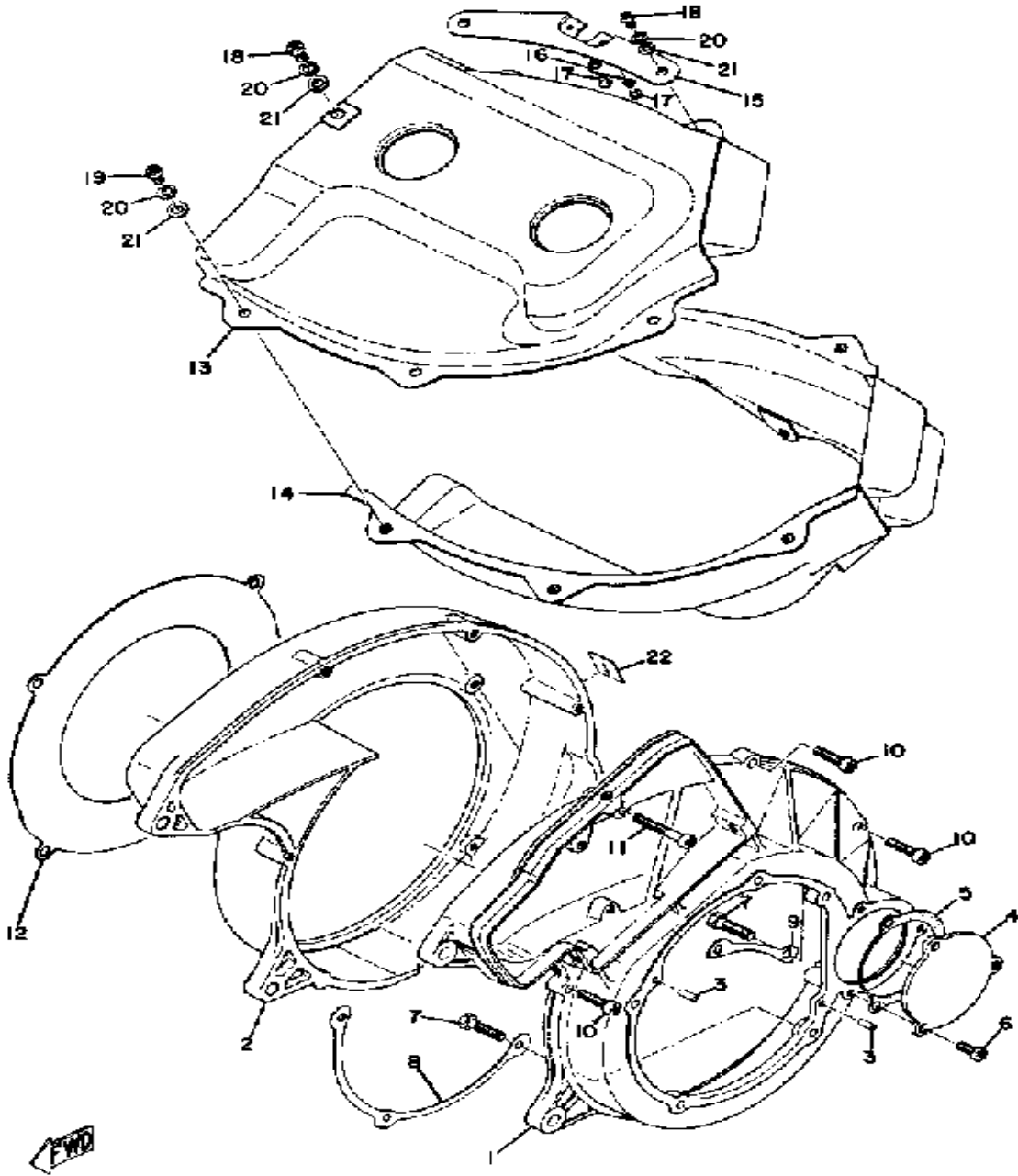
# CRANK CASE



Ref. No.	Part Number	Description	Qty	Remarks
3	99510-12016-00	PIN, DOWEL .....	2	
4	97013-08060-00	BOLT (663) .....	8	ISO
5	97021-08070-00	BOLT .....	2	ISO
6	97313-08085-00	BOLT, HEXAGON .....	2	ISO
7	92990-08200-00	WASHER, PLAIN .....	12	
8	90116-08064-00	BOLT, STUD .....	8	
9	807-11351-01-00	GASKET, CYLINDER .....	2	
10	(806-11311-00-00)	CYLINDER 1 .....	1	
11	806-11321-00-00	CYLINDER 2 .....	1	
12	806-11181-00-00	GASKET, CYLINDER HEAD 1 .	2	
13	(806-11111-01-00)	HEAD, CYLINDER 1 .....	1	
14	(806-11121-01-00)	HEAD, CYLINDER 2 .....	1	
15	90179-08076-00	NUT, SPEC'L SHAPE .....	8	
16	92990-12200-00	WASHER, PLAIN .....	8	
17	98580-06010-00	SCREW, PAN HEAD (92503-06010) .....	2	
18	90430-06017-00	GASKET .....	2	
19	(807-24461-00-00)	PIPE, JOINT .....	1	
20	NGK-B7HS0-00-00	PLUG, SPARK (NGK B7HS) ...	2	
-1	(807-15100-00-00)	CRANKCASE ASSEMBLY .....	1	

Property of [www.SmallEngineDiscount.com](http://www.SmallEngineDiscount.com) - Not for Resale

# FAN CASE & AIR SHROUD

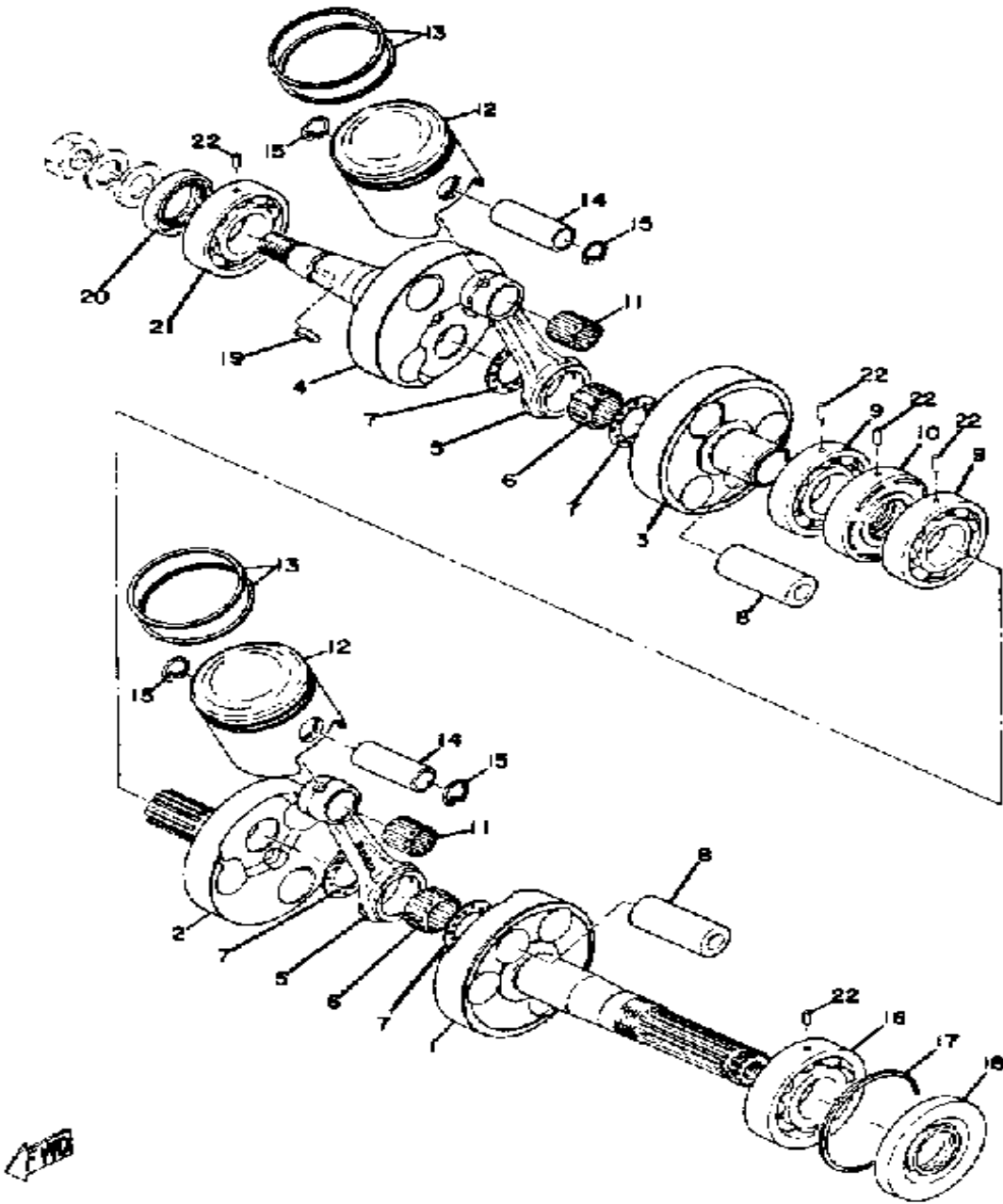


Ref. No.	Part Number	Description	Qty	Remarks
1	(807-12621-00-00)	CASE, FAN .....	1	N/A - ISO
2	(807-12622-00-00)	CASE, FAN 2 .....	1	
3	93604-14012-00	PIN, DOWEL .....	2	
4	(807-12633-00-00)	PLATE .....	1	
5	(807-12663-00-00)	GASKET .....	1	
6	98901-05016-00	SCREW, BIND (98903-05016-00)	3	ISO
7	(807-12623-00-00)	BOLT .....	5	
8	(807-12624-00-00)	WASHER, LOCK 1 .....	1	
9	(807-12625-00-00)	WASHER, LOCK 2 .....	1	
10	98511-06025-00	SCREW PAN HEAD (92501-06025) .....	4	
11	98580-06040-00	SCREW, pan head (92501-06040-00) .....	1	
12	(807-12631-00-00)	DEFLECTOR 1 .....	1	
13	(806-12651-00-00)	AIR SHROUD, CYLINDER 1 ...	1	
14	(806-12652-00-00)	AIR SHROUD, CYLINDER 2 ...	1	
15	(806-77422-01-00)	BRACKET 2 .....	1	
16	(615-42754-00-00)	SPRING .....	1	
17	(90260-02003-00)	RIVET, ROUND HEAD .....	2	
18	98580-06012-00	SCREW, PAN HEAD .....	5	
19	98580-06010-00	SCREW, PAN HEAD (92503-06010) .....	7	
20	92995-06100-00	WASHER, SPRING .....	12	
21	92990-06200-00	WASHER .....	12	
22	(806-77455-00-00)	INDICATOR, CHOKE .....	1	

Property of [www.SmallEngineDiscount.com](http://www.SmallEngineDiscount.com) - Not for Resale

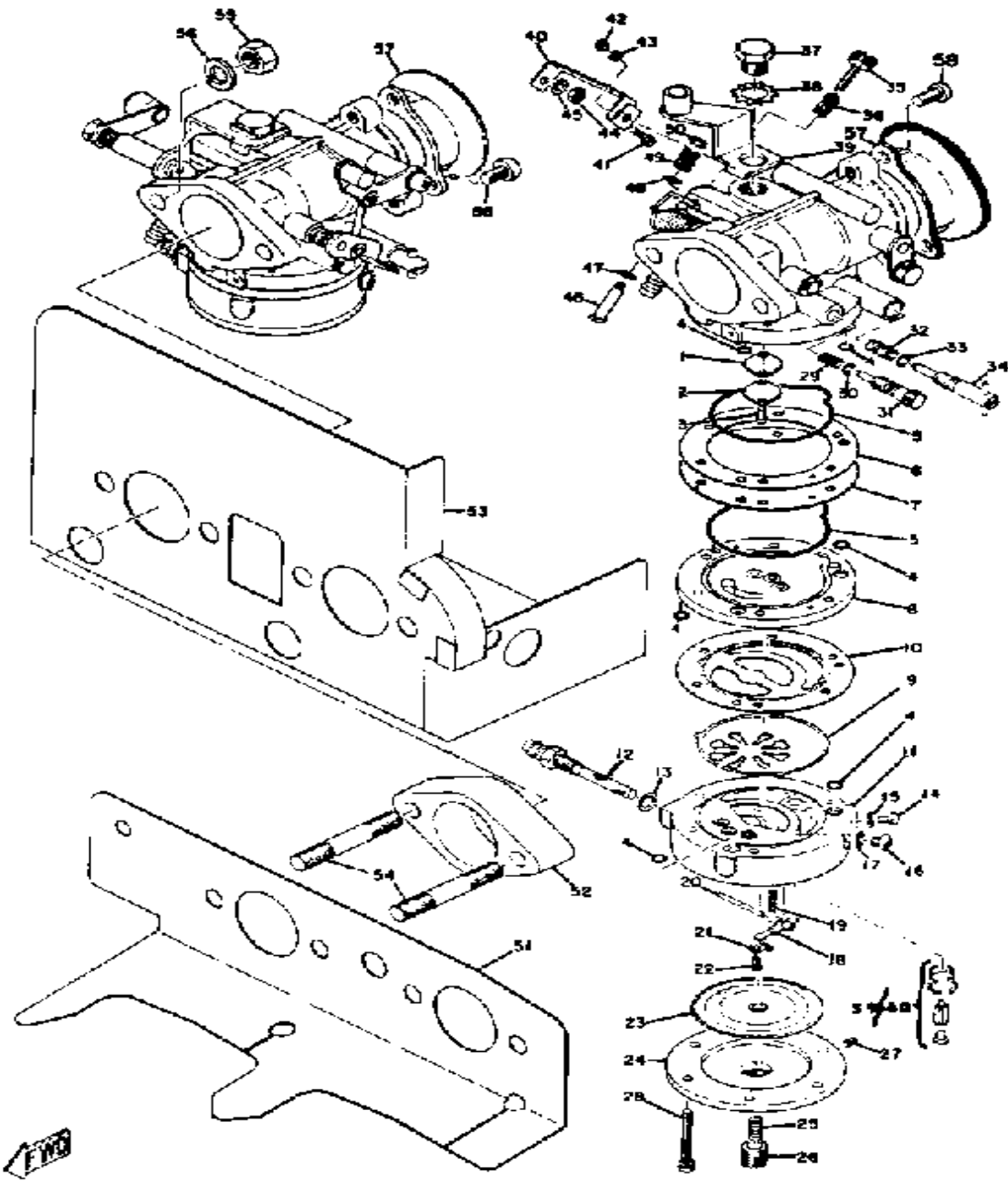
# CRANK & PISTON

Ref. No.	Part Number	Description	Qty	Remarks
1	(807-11412-00-00)	CRANK 1 .....	1	
2	(807-11422-00-00)	CRANK 2 .....	1	
3	(807-11432-00-00)	CRANK 3 .....	1	
4	(807-11442-00-00)	CRANK 4 .....	1	
5	8A7-11651-00-00	. ROD, CONNECTING (838-11651-00) .....	2	
6	93310-42497-00	. BEARING, CYLINDER.# 0 ...	2	
7	90209-24073-00	. WASHER .....	4	
8	168-11681-00-00	. PIN, CRANK 1 .....	2	
9	93306-20633-00	. BEARING .....	2	
10	(168-11515-00-00)	SEAL, LABYRINTH 1 .....	1	
11	93310-218A6-00	BEARING .....	2	
12	(806-11635-00-00)	PISTON 1 O/S 0.25 0 2 .....	2	ALTERNATE PART
	806-11631-00-96	PISTON STD .....	2	
	806-11636-00-00	PISTON 2 O/S 0. 0 .....	2	ALTERNATE PART
13	(806-11601-10-00)	PISTON RINGSET 1ST .....	2	ALTERNATE PART
	806-11601-00-00	PISTON RINGSET STD .....	2	
	806-11601-20-00	PISTON RINGSET 2ND .....	2	ALTERNATE PART
14	168-11633-00-00	PIN, PISTON .....	2	
15	93450-20026-00	CIRCLIP .....	4	
16	93306-30603-00	BEARING .....	1	
17	93440-78011-00	CIRCLIP, OUTER .....	1	
18	93103-32054-00	OIL SEAL, SW-TYPE .....	1	
19	214-11545-00-00	KEY, WOODRUFF .....	1	
20	93103-32156-00	OIL SEAL .....	1	
21	93306-20633-00	BEARING .....	1	
22	93604-12037-00	PIN, DOWEL .....	5	
-1	(807-11400-00-00)	CRANKSHAFT ASSEMBLY ...	1	



Property of [www.SmallEngineDiscount.com](http://www.SmallEngineDiscount.com) - Not for Resale

# CARBURETOR

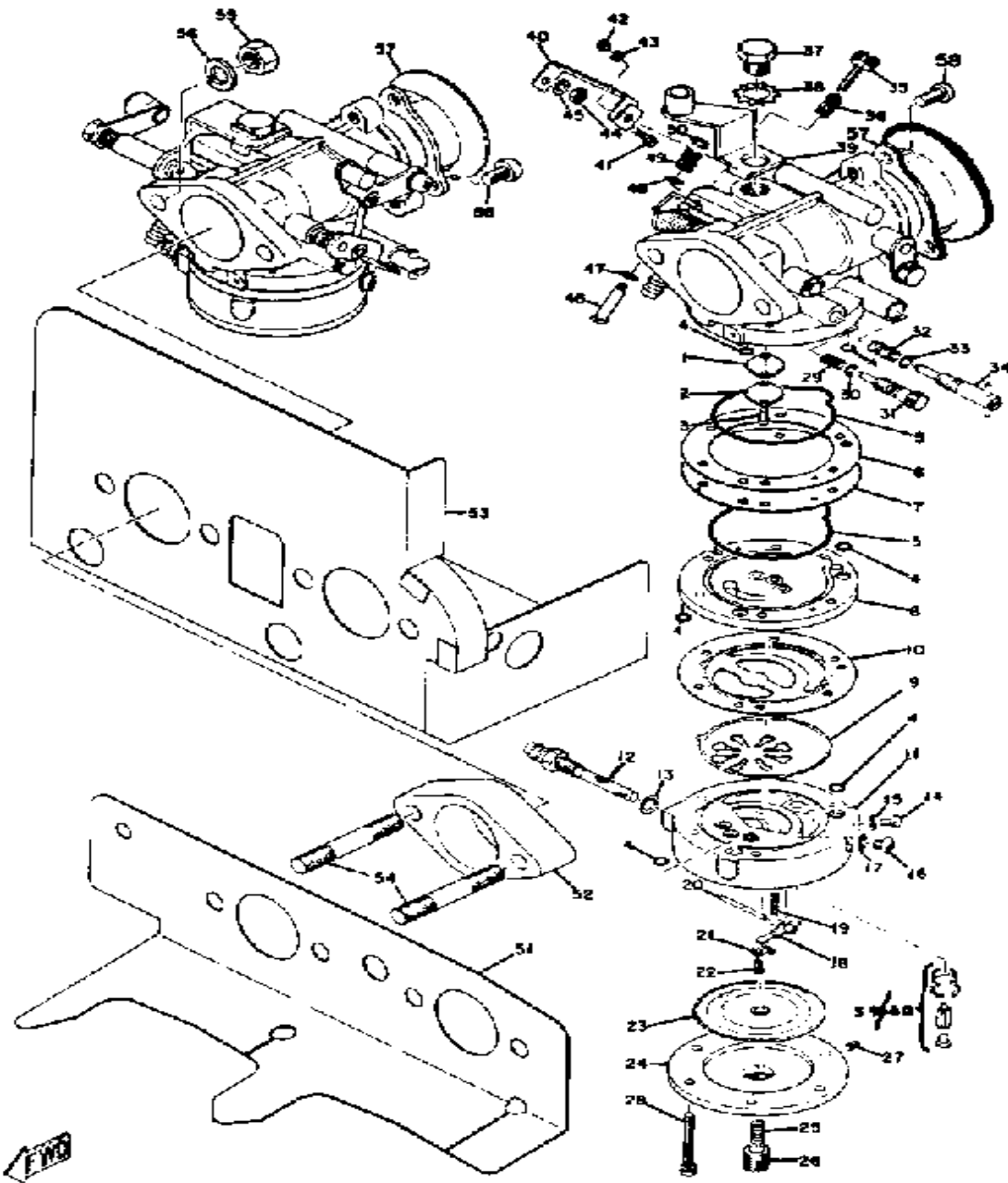


Ref. No.	Part Number	Description	Qty	Remarks
1	(806-14537-00-00)	GASKET .....	2	N/A
2	(806-14527-00-00)	. PLATE .....	2	N/A
3	98503-04014-00	. SCREW, PAN HEAD .....	4	ISO
4	(806-14561-00-00)	O-RING .....	12	
5	806-14562-00-00	. O-RING .....	4	
6	806-14536-00-00	. GASKET .....	2	
7	806-14541-00-00	. DIAPHRAGM, PUMP .....	2	
8	(806-14542-00-00)	BODY, PUMP 1 .....	2	
9	806-14552-01-00	. VALVE, CHECK .....	2	
10	(806-14553-00-00)	GASKET .....	2	
11	(806-14543-00-00)	BODY, PUMP 2 .....	2	ISO
12	(806-14568-00-00)	JOINT .....	2	
13	(806-14558-00-00)	WASHER .....	2	
14	98511-04006-00	. SCREW, PAN HEAD (98501-04005) .....	4	ISO
15	806-14559-00-00	. WASHER .....	4	
16	(806-14567-00-00)	SCREW .....	2	
17	(806-14557-00-00)	WASHER .....	2	
18	(806-14547-00-00)	ARM, FLOAT .....	2	
19	(806-14556-00-00)	SPRING .....	2	
20	(806-14548-00-00)	PIN, FLOAT ARM .....	2	
21	(806-14549-00-00)	PLATE, PIN FITTING .....	2	
22	98580-03008-00	. SCREW, PAN HEAD .....	2	ISO
23	(806-14545-00-00)	DIAPHRAGM .....	2	
24	(806-14544-00-00)	BODY, PUMP 3 .....	2	N/A
25	(806-14555-00-00)	SPRING .....	2	
26	(806-14565-01-00)	SCREW, STOP .....	2	
27	(806-14566-00-00)	SCREW, STOP .....	2	
28	(824-14567-00-00)	SCREW .....	12	N/A - ISO

CONTINUED ON NEXT FRAME ►

Property of [www.SmallEngineDiscount.com](http://www.SmallEngineDiscount.com) - Not for Resale

# CARBURETOR

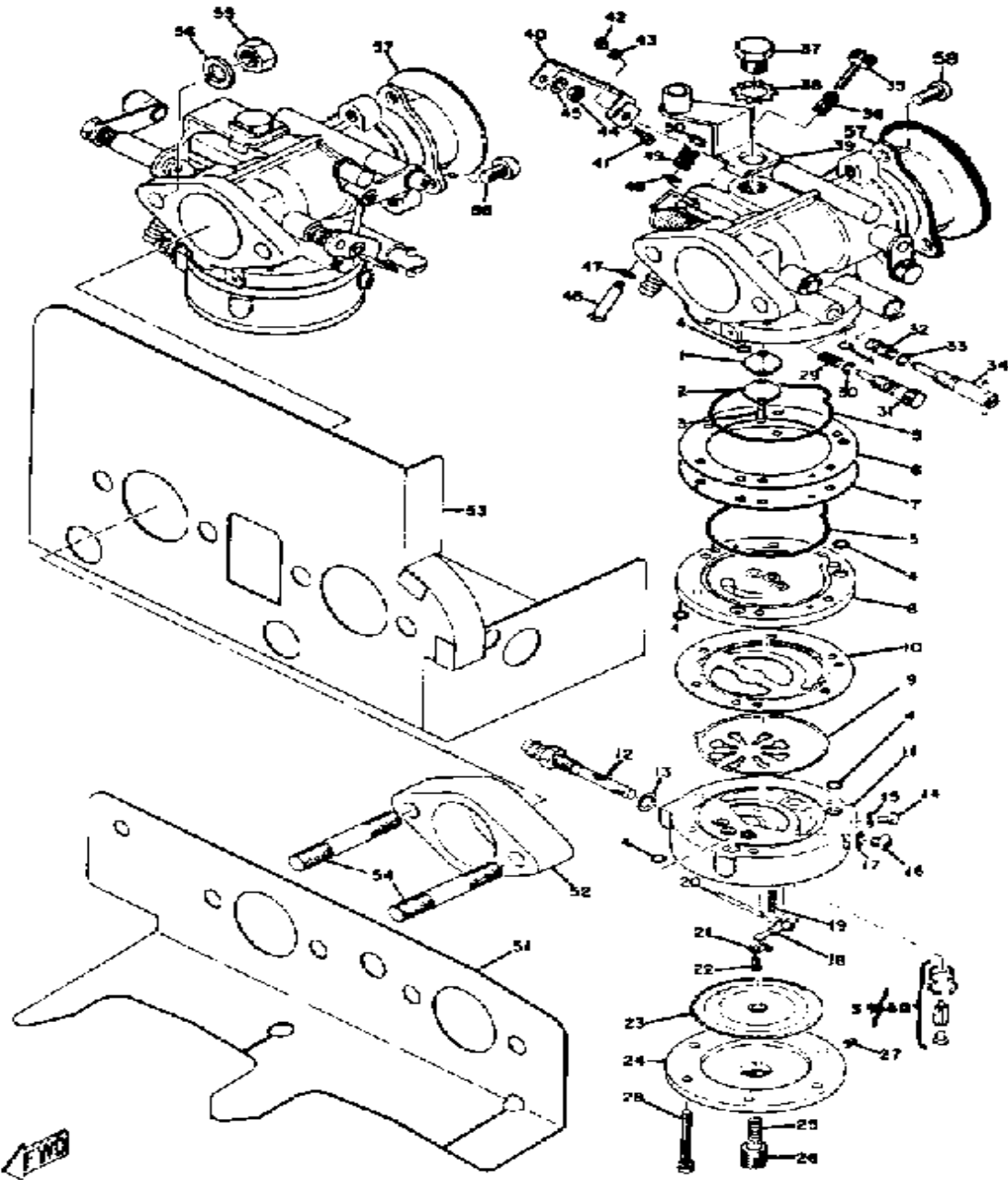


Ref. No.	Part Number	Description	Qty	Remarks
29	(806-14531-00-00)	SPRING, AJST SCREW	2	
30	(806-14563-00-00)	O-RING	2	
31	(806-14522-00-00)	SCREW, ADJUST	2	
32	(806-14533-00-00)	SPRING, AJST SCREW	2	
33	(806-14564-00-00)	O-RING	2	
34	(806-14521-00-00)	SCREW, ADJUST	2	N/A
35	(806-14523-00-00)	SCREW, STOP	1	
36	(806-14533-00-00)	SPRING, AJST SCREW	1	
37	97301-08010-00	. BOLT, HEXAGON	2	ISO
38	92901-08400-00	. WASHER, EX.TOOTH	2	
39	806-14571-00-00	. BRACKET, THROTTLE	1	
40	(806-14588-00-00)	CONNECTOR	1	1N/A
41	98503-04014-00	. SCREW, PAN HEAD	1	ISO
42	(806-14595-00-00)	NUT	1	
43	92990-04200-00	. WASHER, PLAIN	1	
44	95380-05600-00	. NUT	1	ISO
45	(806-14598-00-00)	WASHER	1	
46	(806-14591-00-00)	SCREW	1	
47	806-14596-00-00	. WASHER	1	
48	(806-14597-00-00)	WASHER	1	
49	(806-14579-00-00)	SPRING	1	
50	(806-14594-00-00)	NUT	1	
51	(807-13557-00-00)	GASKET	1	
52	(807-13555-00-00)	MANIFOLD, INTAKE	2	
53	(807-13567-00-00)	GASKET	1	N/A
54	(90116-08056-00)	BOLT, STUD	4	
55	95303-08700-00	NUT	4	
56	92990-08100-00	WASHER	4	
57	(807-14479-00-00)	FUNNEL	2	N/A

CONTINUED ON NEXT FRAME ►

Property of [www.SmallEngineDiscount.com](http://www.SmallEngineDiscount.com) - Not for Resale

# CARBURETOR

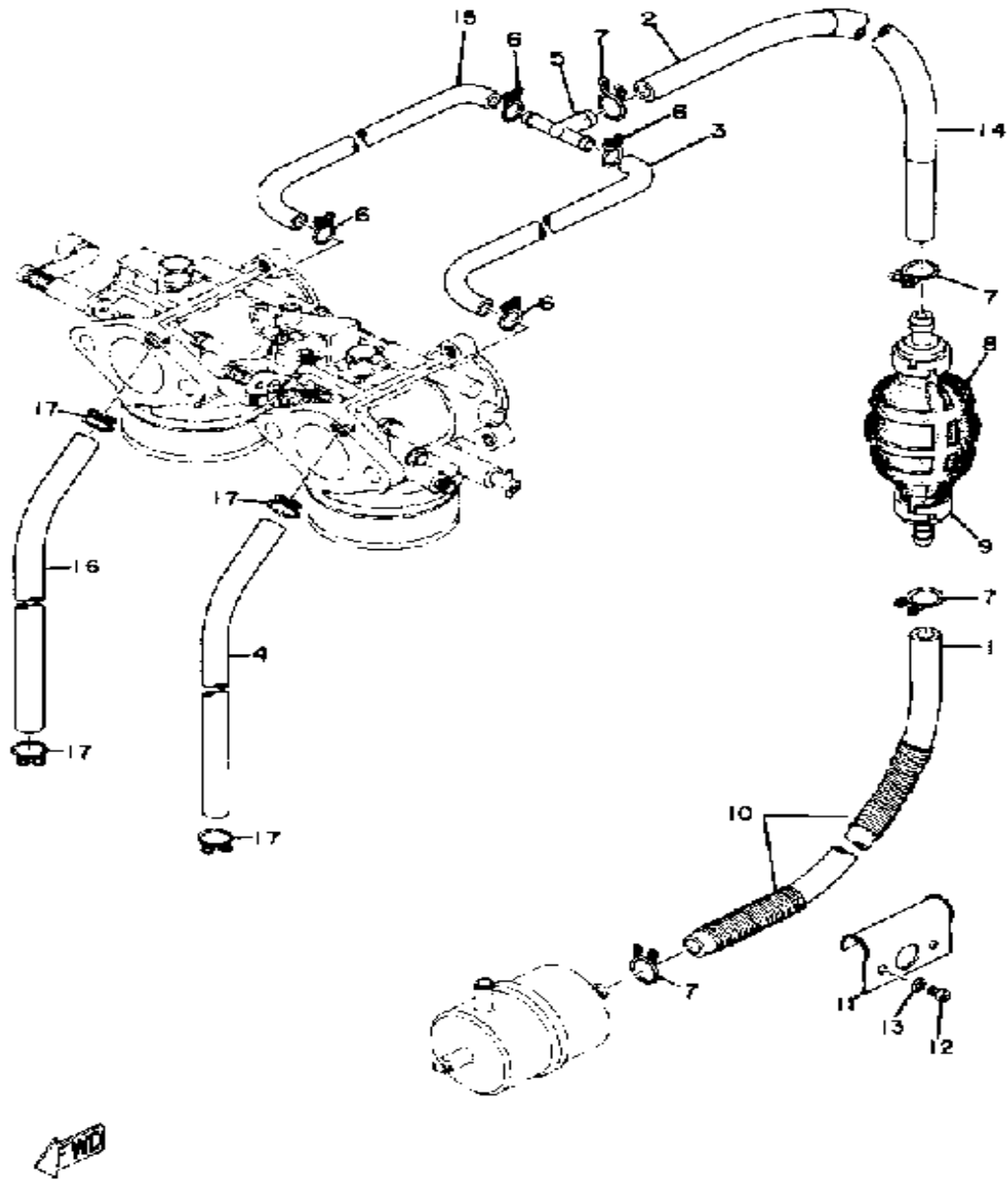


Ref. No.	Part Number	Description	Qty	Remarks
58	98580-06010-00	SCREW, PAN HEAD (92503-06010)	6	
59	(806-14590-10-00)	VALVE SEAT ASSEMBLY	2	
60	(806-14590-20-00)	VALVE SEAT ASSEMBLY	2	
-1	(806-14501-00-00)	CARBURETOR ASSEMBLY 1	1	N/A - ISO
-2	(806-14502-00-00)	CARBURETOR ASSEMBLY 2	1	ISO

Property of [www.SmallEngineDiscount.com](http://www.SmallEngineDiscount.com) - Not for Resale

# PIPING

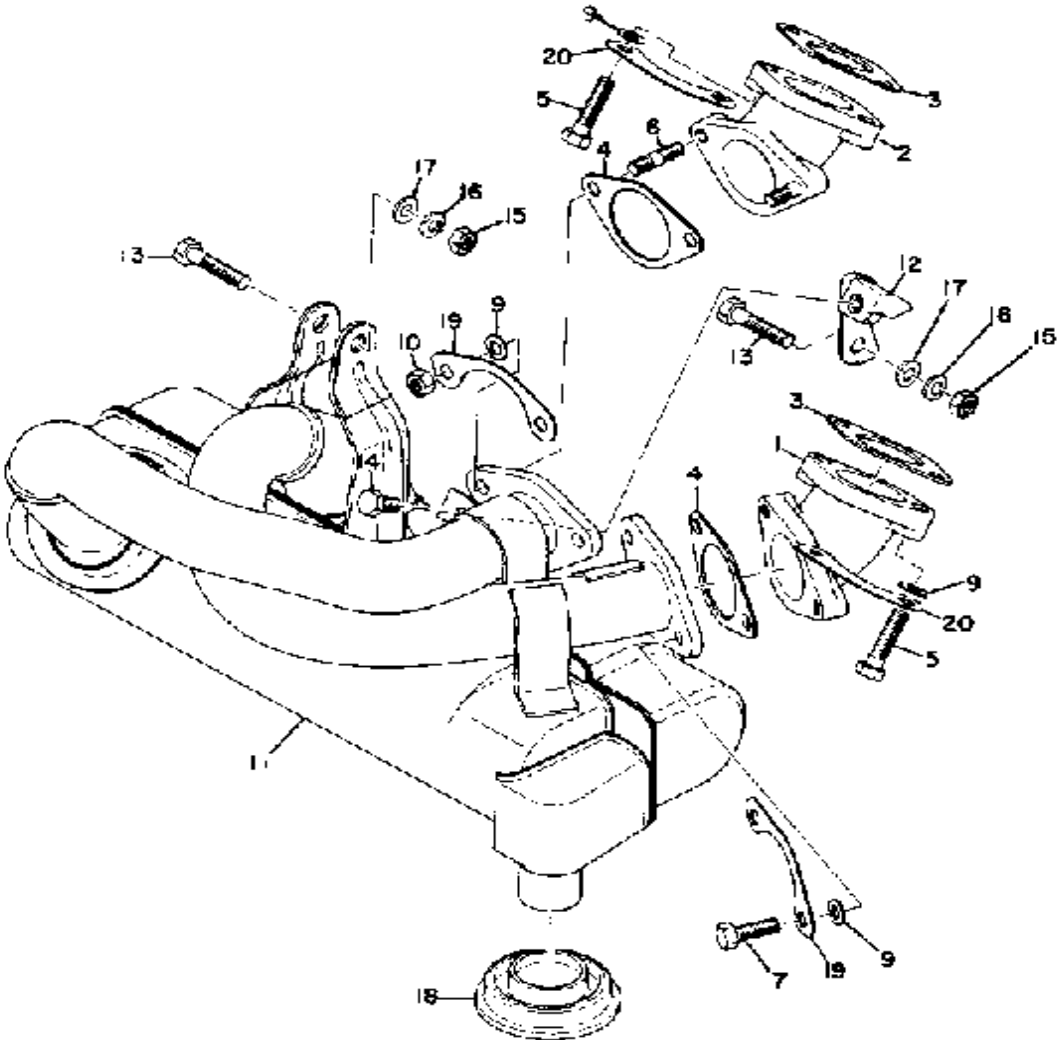
Ref. No.	Part Number	Description	Qty	Remarks
1	(806-24314-00-00)	PIPE 4 .....	1	
2	(806-24312-00-00)	PIPE 2 .....	1	
3	(807-24313-00-00)	PIPE 3 .....	1	
4	(807-24316-00-00)	PIPE 6 .....	1	
5	807-24376-00-00	PIPE, JOINT 1 .....	1	
6	90460-09001-00	CLAMP, HOSE .....	4	
7	90467-10008-00	CLIP .....	3	
8	810-24360-00-00	PRIMER PUMP ASSEMBLY ...	1	
9	(601-24353-00-00)	BAND .....	2	
10	806-24328-00-00	PROTECTOR, PIPE .....	2	
11	(806-24366-00-00)	CLAMP, FUEL PIPE 1 .....	1	N/A
12	98511-04006-00	SCREW, PAN HEAD (98501-04005) .....	2	
13	92901-04100-00	WASHER, SPRING .....	2	
14	(806-24322-00-00)	PIPE 1 .....	1	N/A
15	807-24317-00-00	PIPE 7 .....	1	
16	(90445-10129-00)	HOSE .....	1	
17	90467-09006-00	CLIP .....	4	
7-1	90460-11002-00	CLAMP, HOSE .....	1	



Property of [www.SmallEngineDiscount.com](http://www.SmallEngineDiscount.com) - Not for Resale



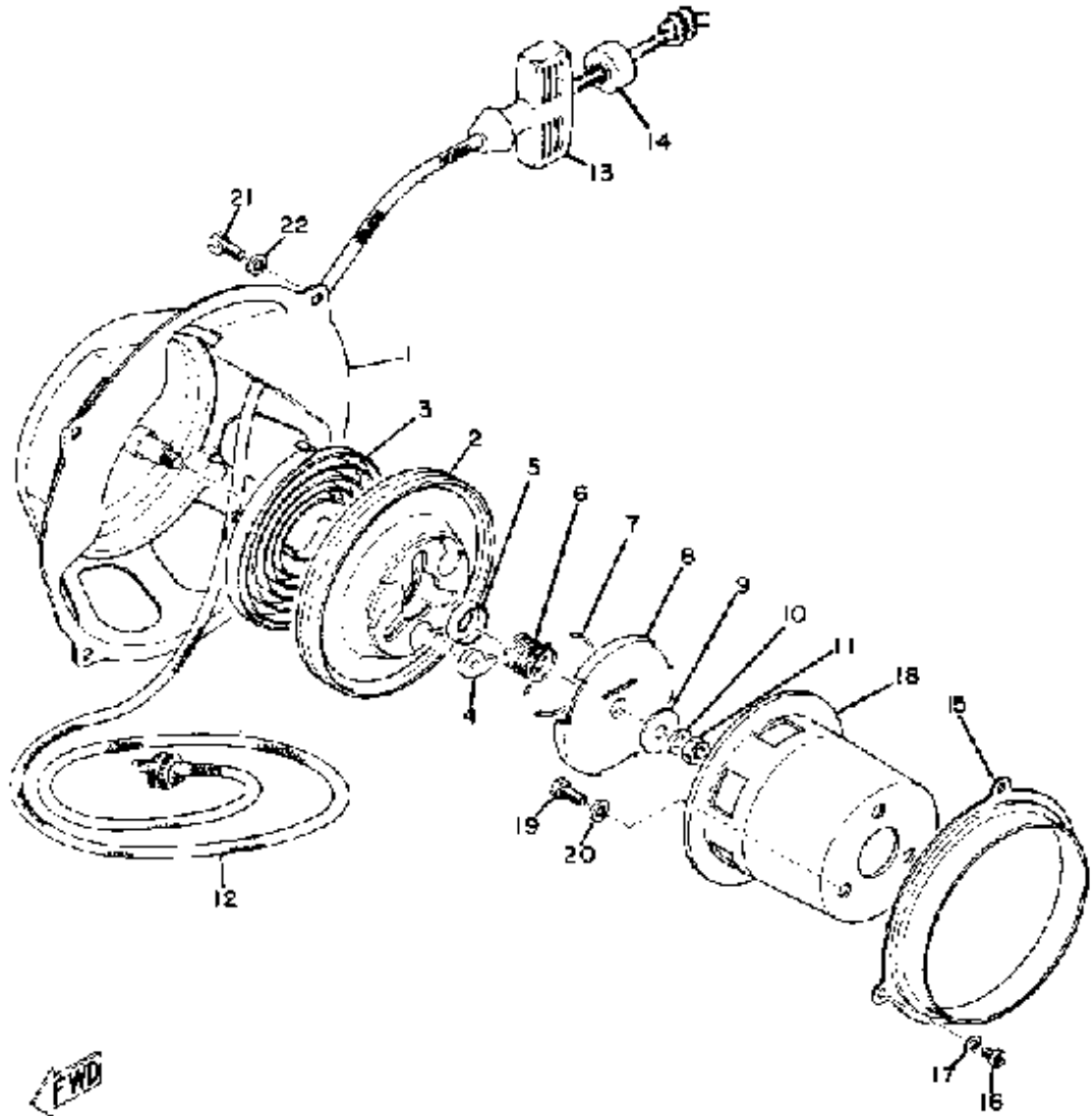
# EXHAUST



Ref. No.	Part Number	Description	Qty	Remarks
1	(807-14615-01-00)	JOINT, EXHAUST L .....	1	
2	(807-14625-01-00)	JOINT, EXHAUST R .....	1	
3	807-14613-02-00	GASKET, EXST PIPE .....	1	
4	807-14623-02-00	GASKET, EXST PIPE .....	1	
5	90116-08050-00	BOLT, STUD .....	4	ISO
6	90116-08041-00	BOLT, STUD (806-14661-00) ..	2	
7	806-14651-00-00	BOLT .....	2	ISO
9	92990-08100-00	WASHER .....	8	
10	95611-08100-00	NUT, U .....	2	ISO
11	(810-14710-02-00)	MUFFLER ASSEMBLY L .....	1	N/A
12	(807-14771-00-00)	STAY, MUFFLER 1 .....	1	
13	97313-08045-00	BOLT .....	2	ISO
14	97313-08016-00	BOLT, HEXAGON .....	1	ISO
15	95333-08600-00	NUT .....	2	ISO
16	92990-08100-00	WASHER .....	2	
17	92990-08200-00	WASHER, PLAIN .....	2	
18	(807-14718-00-00)	PROTECTOR, MUFF 1 .....	1	
19	(807-14759-00-00)	WASHER .....	2	
20	(807-14616-00-00)	WASHER .....	2	

Property of [www.SmallEngineDiscount.com](http://www.SmallEngineDiscount.com) - Not for Resale

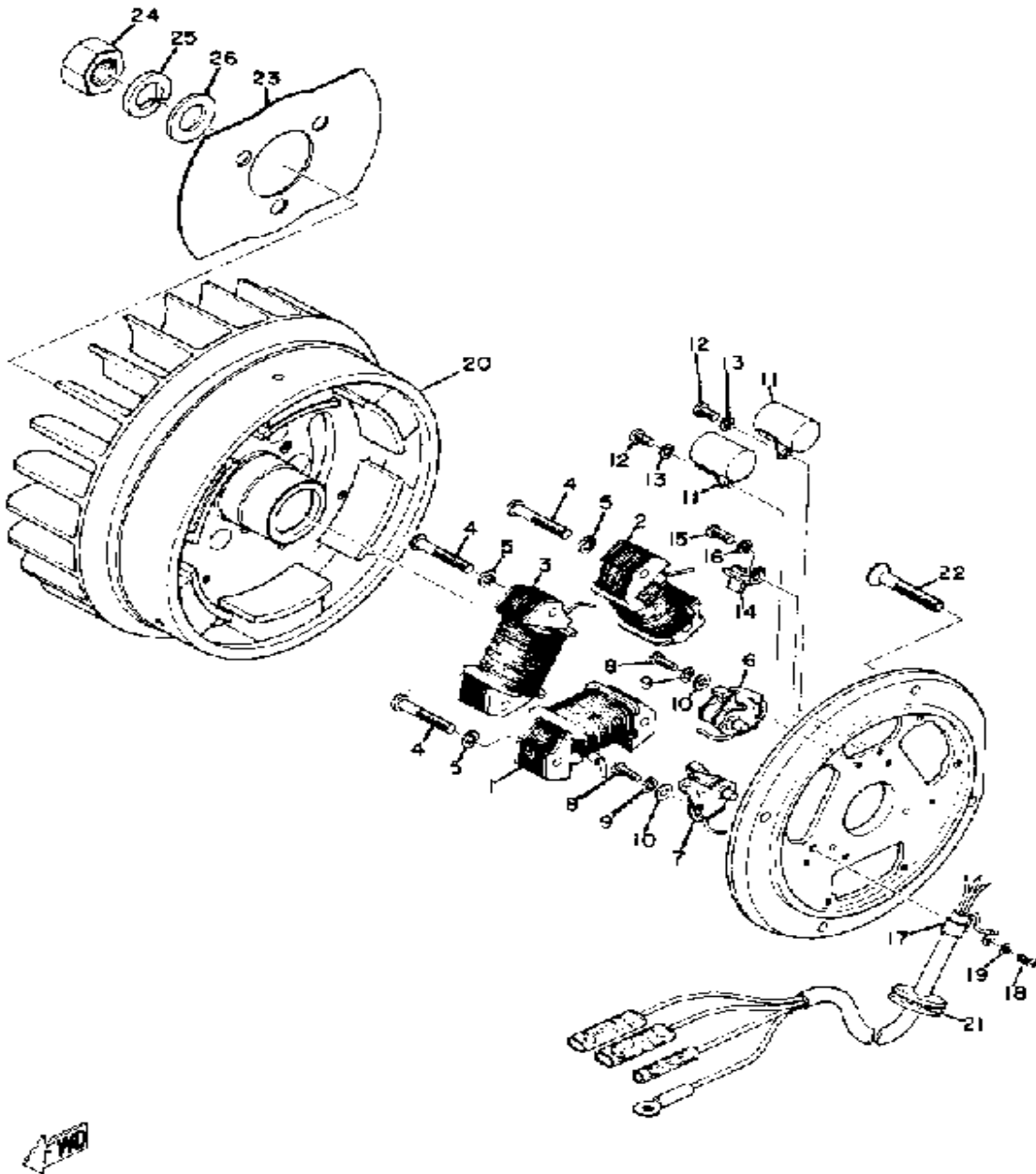
# STARTER



Ref. No.	Part Number	Description	Qty	Remarks
1	(807-15711-00-00)	CASE, STARTER	1	
2	(807-15714-00-00)	DRUM, SHEAVE	1	
3	802-15713-00-00	. SPRING, STARTER	1	
4	(626-15741-01-00)	PAWL, DRIVE	3	PN 32
5	(807-15719-00-00)	WASHER, THRUST	1	
6	626-15715-01-00	. SPRING, DRIVE PLATE (807-15715-00)	1	
7	807-15784-00-00	. SPRING, RETURN	3	PN 32
8	626-15716-00-00	. PLATE, DRIVE	1	
9	807-15726-01-00	. WASHER, FLAT	1	
10	92990-08100-00	. WASHER	1	
11	95303-08700-00	. NUT	1	ISO
12	(807-15751-00-00)	ROPE, STARTER	1	
13	807-15755-00-00	. HANDLE, STARTER	1	
14	619-15756-00-00	. CONNECTOR 1	1	
15	(807-15782-00-00)	COVER, SHEAVE	1	
16	98580-05010-00	. SCREW, PAN HEAD	3	ISO
17	92990-05100-00	. WASHER, SPRING	3	
18	(807-15723-00-00)	PULLEY, STARTER	1	
19	97313-08018-00	BOLT, HEXAGON (97301-08016)	3	ISO
20	92990-08100-00	WASHER	3	
21	97313-06016-00	BOLT, HEXAGON	4	
22	92995-06100-00	WASHER, SPRING	4	
-1	(821-15710-00-00)	STARTER ASSEMBLY	1	ISO

Property of [www.SmallEngineDiscount.com](http://www.SmallEngineDiscount.com) - Not for Resale

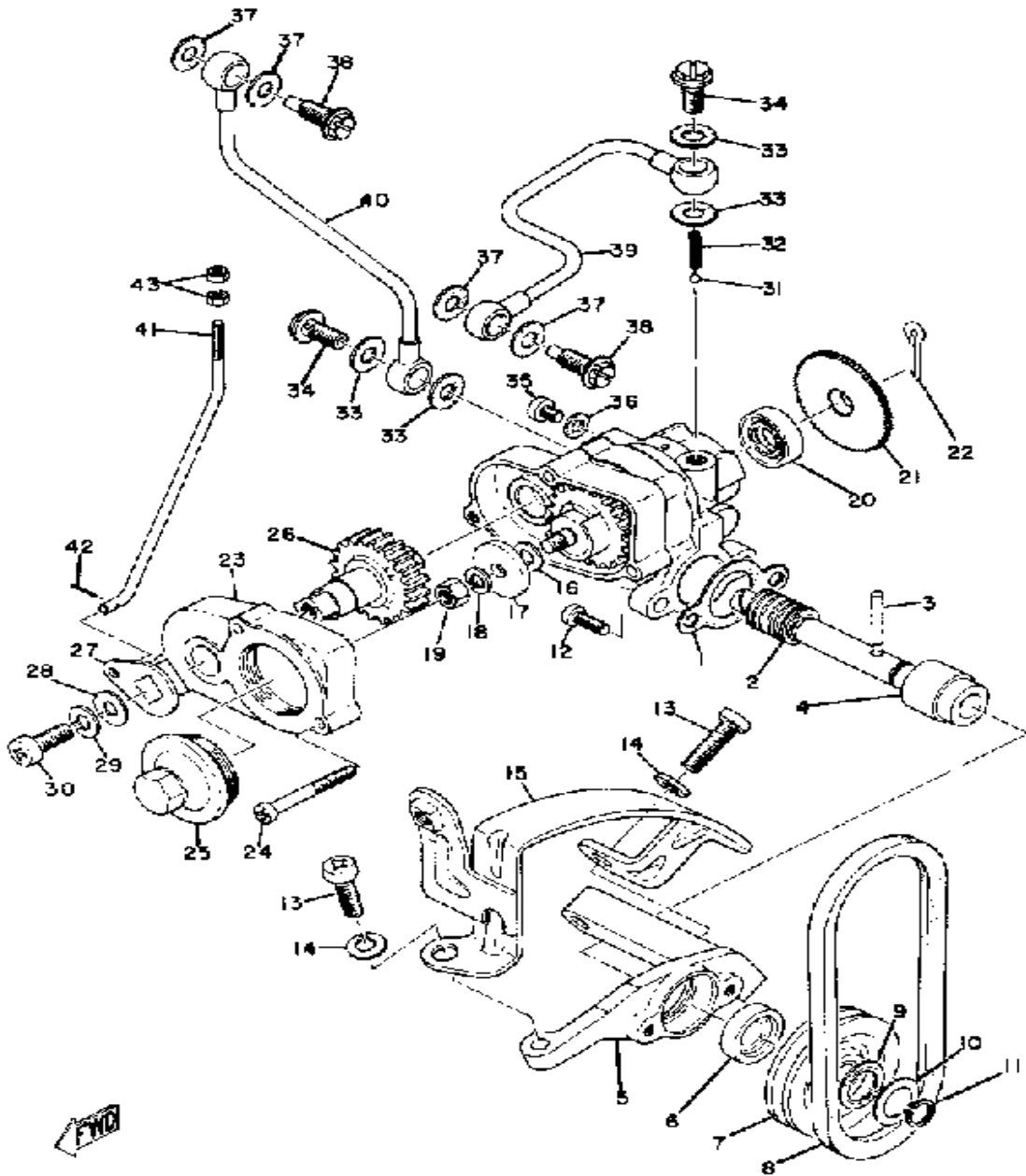
# FLYWHEEL MAGNETO



Ref. No.	Part Number	Description	Qty	Remarks
1	(806-81311-20-00)	COIL, IGNITION 1	1	
2	806-81312-20-00	. COIL, SOURCE (R.H)	1	
3	(806-81313-20-00)	COIL, LIGHTING 1	1	
4	802-81345-20-00	. SCREW, PAN HEAD	6	ISO
5	92990-05100-00	. WASHER, SPRING	6	
6	806-81321-20-00	. CONTACT BRKR ASSEMBLY	1	
7	1M1-81321-20-00	. CONTACT BRKR ASSEMBLY (R.H) (806-81322-20)	1	
8	110-81346-21-00	. SCREW, PAN HEAD	2	ISO
9	92901-04100-00	. WASHER, SPRING	2	
10	92990-04200-00	. WASHER, PLAIN	2	
11	802-81325-90-00	. CONDENSER 1	2	
12	110-81346-21-00	. SCREW, PAN HEAD	2	ISO
13	92901-04100-00	. WASHER, SPRING	2	
14	116-81331-20-00	. LUBRICATOR	2	
15	110-81346-21-00	. SCREW, PAN HEAD	2	ISO
16	92901-04100-00	. WASHER, SPRING	2	
17	104-81328-20-00	. CLAMP	1	
18	98580-04008-00	. SCREW, PAN HEAD	1	ISO
19	92901-04100-00	. WASHER, SPRING	1	
20	(806-81350-20-00)	ROTOR ASSEMBLY	1	
21	(104-81329-00-00)	GROMMET	1	
22	98503-06014-00	SCREW, PAN HEAD (92502-06016)	4	
23	(807-81362-00-00)	COVER, HOLE	1	
24	90170-16182-00	NUT	1	
25	92901-16100-00	WASHER, SPRING	1	
26	(92901-16247-00)	WASHER	1	N/A
-1	(806-81300-20-00)	FLYWHL MAGNETO ASSEMBLY	1	ISO

Property of [www.SmallEngineDiscount.com](http://www.SmallEngineDiscount.com) - Not for Resale

# OIL PUMP

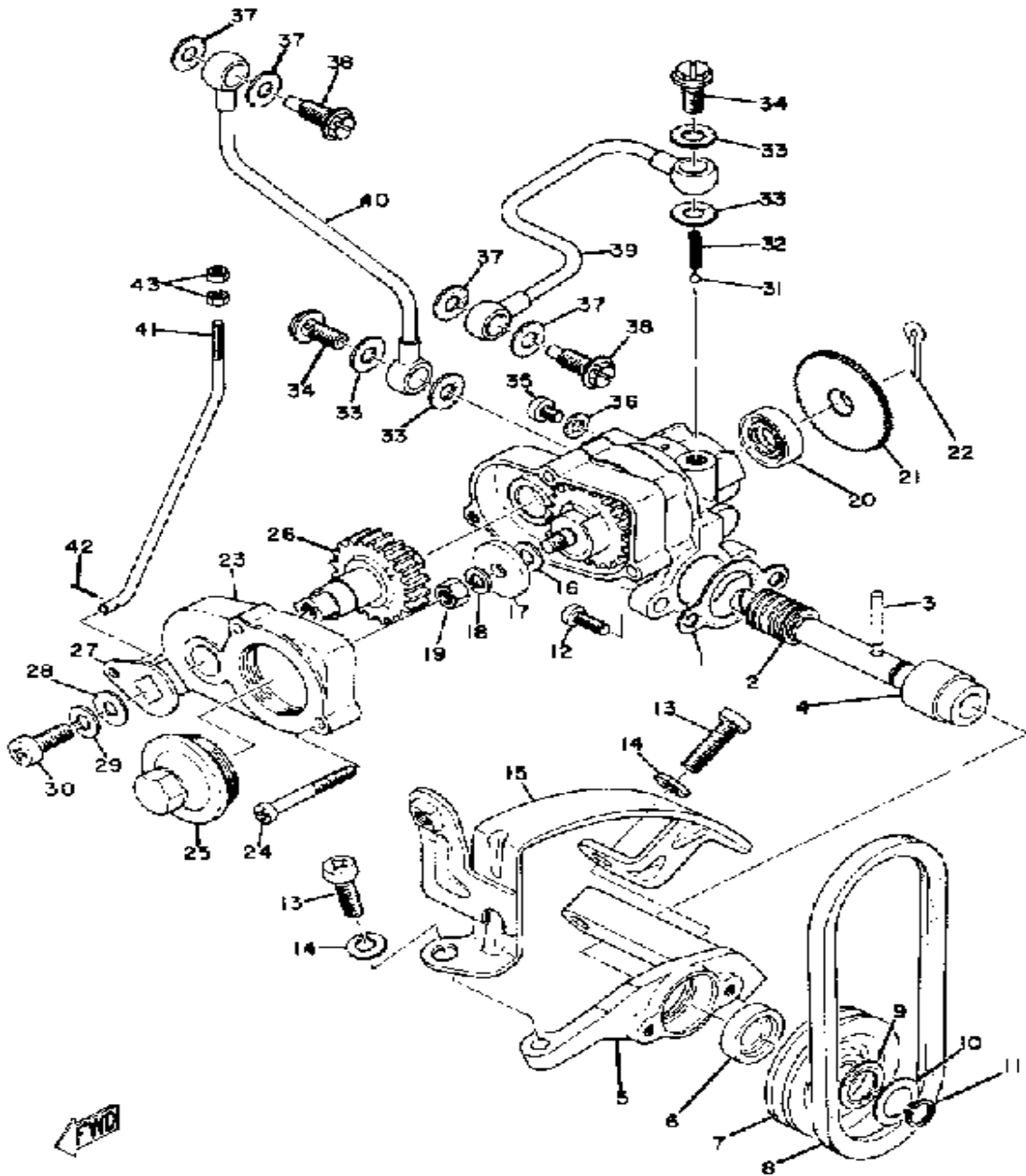


Ref. No.	Part Number	Description	Qty	Remarks
1	3MT-13116-00-00	GASKET, PUMP CASE (8Y0-13116-00)	1	
2	(802-13175-00-00)	SHAFT, WORM	1	N/A
3	93603-22028-00	PIN, DOWEL	1	
4	1E7-13176-00-00	METAL, WRM SHAF OTR	1	
5	(807-13199-00-00)	BRACKET, PUMP	1	
6	93101-10002-00	OIL SEAL	1	
7	807-13178-00-00	GEAR, PUMP DRIVE	1	
8	808-13189-00-00	BELT (810-13189-00)	1	
9	90206-11016-00	WASHER, WAVE	1	
10	137-13148-00-00	PLATE, CAM THRUST	1	
11	99009-10400-00	CIRCLIP	1	
12	98580-05016-00	SCREW, PAN HEAD	2	ISO
13	98580-06020-00	SCREW	2	
14	92995-06100-00	WASHER, SPRING	2	
15	(806-77323-00-00)	PROTECTOR, DRIVE	1	
16	137-13137-00-10	. SHIM (1.0T)	1	
17	137-13138-01-00	. PLATE, ADJUSTING	1	
18	92990-05100-00	. WASHER, SPRING	1	
19	95380-05600-00	. NUT	1	ISO
20	93101-10090-00	. OIL SEAL	1	
21	(137-13128-00-00)	PLATE, STARTER	1	
22	91490-12012-00	. PIN, COTTER	1	
23	(807-13146-00-00)	COVER, AJST PULLEY	1	
24	98501-04035-00	. SCREW, PAN HEAD	2	ISO
25	(807-13143-00-00)	CAP, PUMP CASE	1	
26	(807-13154-00-00)	GEAR, PUMP CONTROL	1	
27	(807-13156-00-00)	LEVER, PUMP CONTROL	1	N/A
28	92990-06200-00	. WASHER	1	

CONTINUED ON NEXT FRAME ►

Property of [www.SmallEngineDiscount.com](http://www.SmallEngineDiscount.com) - Not for Resale

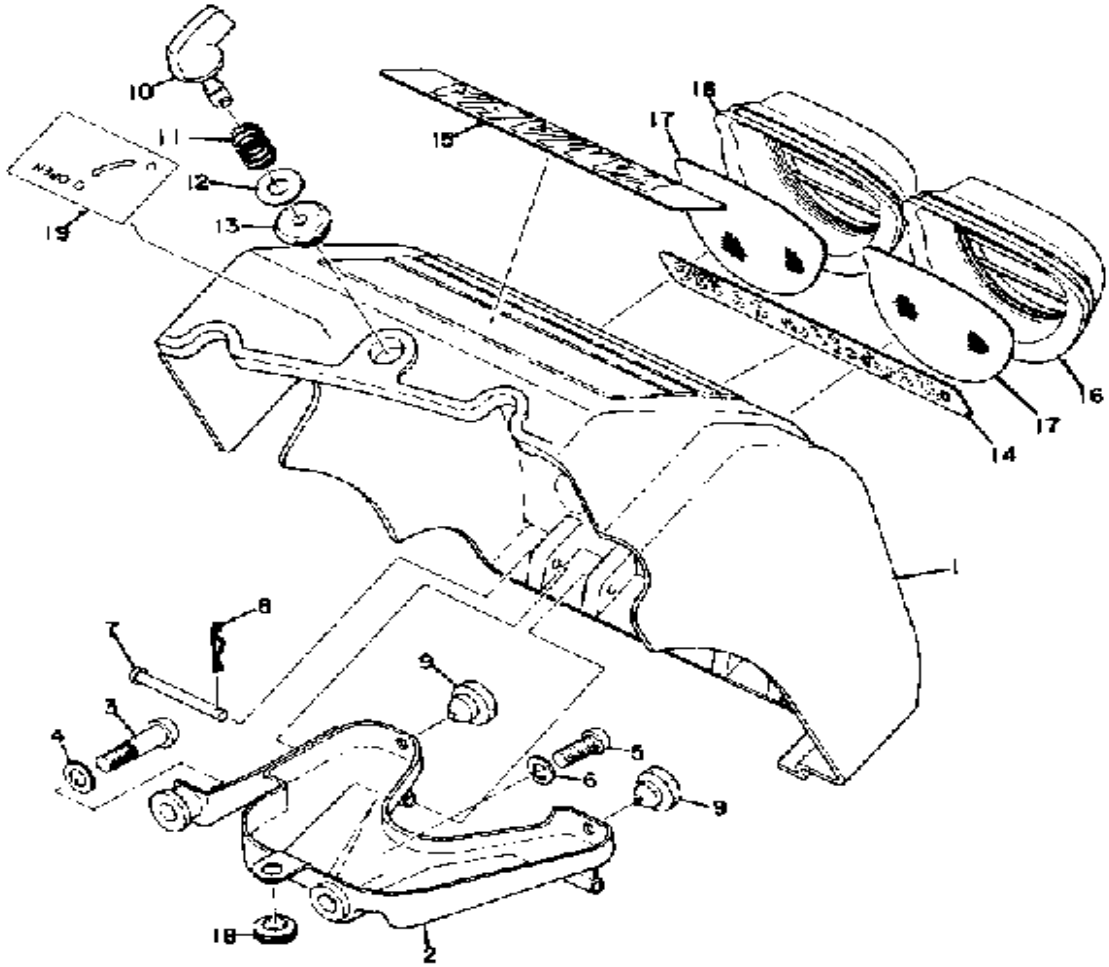
# OIL PUMP



Ref. No.	Part Number	Description	Qty	Remarks
29	92995-06100-00	. WASHER, SPRING .....	1	
30	98503-06014-00	. SCREW, PAN HEAD (92502-06016) .....	1	
31	93505-32002-00	. BALL .....	2	
32	(90501-02017-00)	SPRING, COMPRESSION .....	2	
33	90430-06011-00	. GASKET .....	4	
34	90401-06001-00	. BOLT, UNION .....	2	
35	98511-04006-00	. SCREW, PAN HEAD (98501-04005) .....	1	ISO
36	90430-04004-00	. GASKET .....	1	
37	90430-06011-00	GASKET .....	4	
38	90401-06011-00	BOLT, UNION .....	2	
39	(807-13161-00-00)	PIPE, DELIVERY 1 .....	1	
40	(807-13171-00-00)	PIPE, DELIVERY 2 .....	1	
41	(807-13157-00-00)	ROD, PUMP CONTROL .....	1	ISO
42	91490-12012-00	PIN, COTTER .....	1	
43	95380-03600-00	NUT .....	2	ISO
-1	(807-13101-01-00)	OIL PUMP ASSEMBLY .....	1	ISO

Property of [www.SmallEngineDiscount.com](http://www.SmallEngineDiscount.com) - Not for Resale

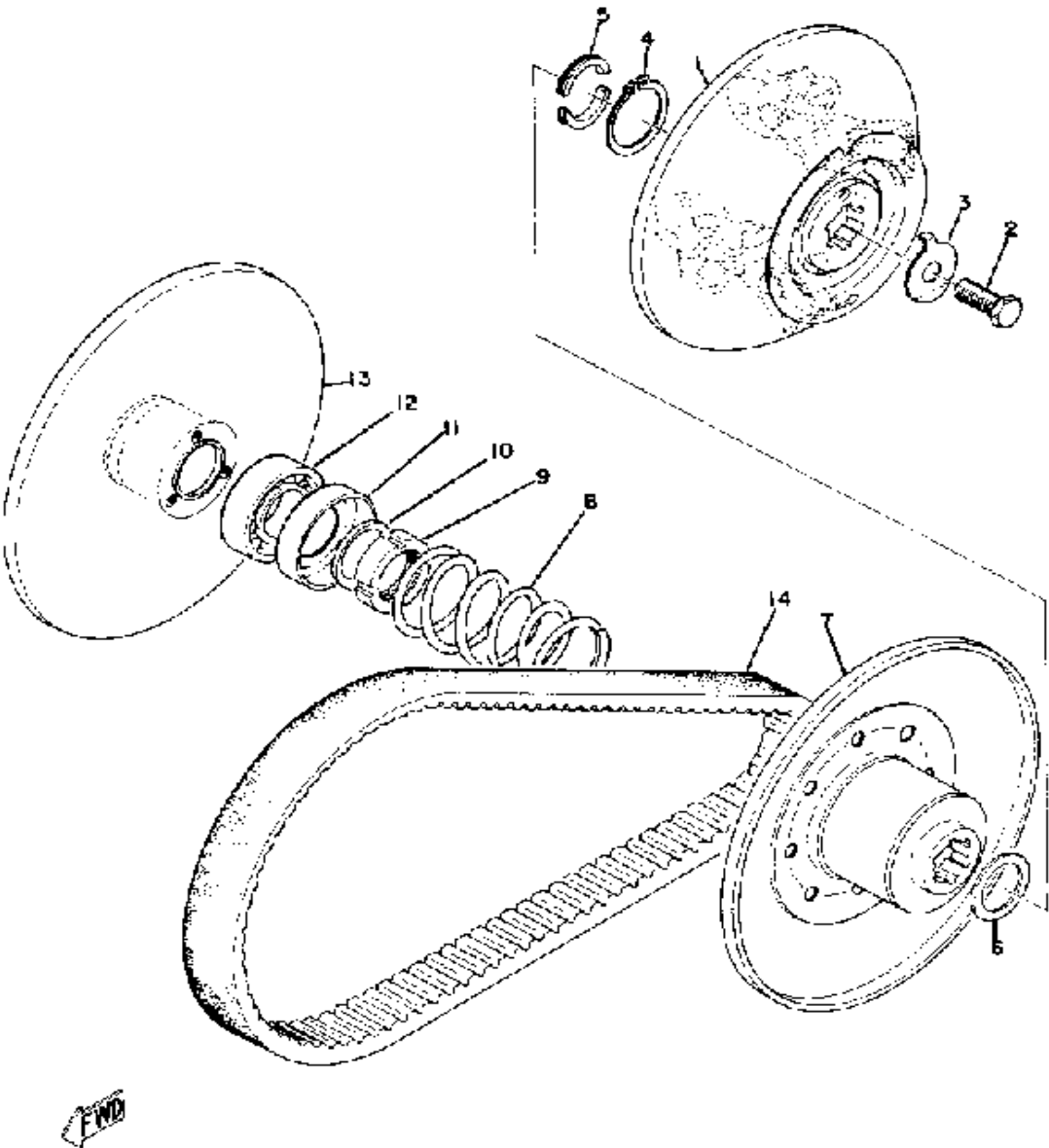
# ENGINE COWL



Ref. No.	Part Number	Description	Qty	Remarks
1	(806-77411-00-00)	COWL, ENGINE .....	1	
2	(806-77421-00-00)	BRACKET 1 .....	1	
3	90149-08056-00	SCREW, SPEC'L SHAPE ....	1	
4	(90201-09116-00)	WASHER, PLATE .....	1	
5	98501-08020-00	SCREW, PAN HEAD (92501-08020) .....	1	
6	92990-08100-00	WASHER .....	1	
7	(806-77465-00-00)	SHAFT 1 .....	2	
8	90468-10050-00	CLIP .....	2	
9	(806-77461-00-00)	DAMPER 1 .....	2	
10	(806-42753-00-00)	FASTNER .....	1	
11	(806-42764-00-00)	SPRING .....	1	
12	90201-08100-03	UNAVAILABLE IN PRICE BOOK (615-42751-00) .....	1	
13	(615-42746-00-00)	BUSHING .....	1	N/A
14	(806-77351-00-00)	EMBLEM 1 .....	1	N/A
15	(806-77451-00-00)	EMBLEM 1 .....	1	N/A
16	(806-77441-00-00)	LOUVER 1 .....	2	
17	(806-77443-00-00)	LOUVER 3 .....	2	
18	(806-77431-00-00)	GROMMET 1 .....	1	
19	(806-77456-00-00)	INDICATOR, COWL .....	1	N/A

Property of [www.SmallEngineDiscount.com](http://www.SmallEngineDiscount.com) - Not for Resale

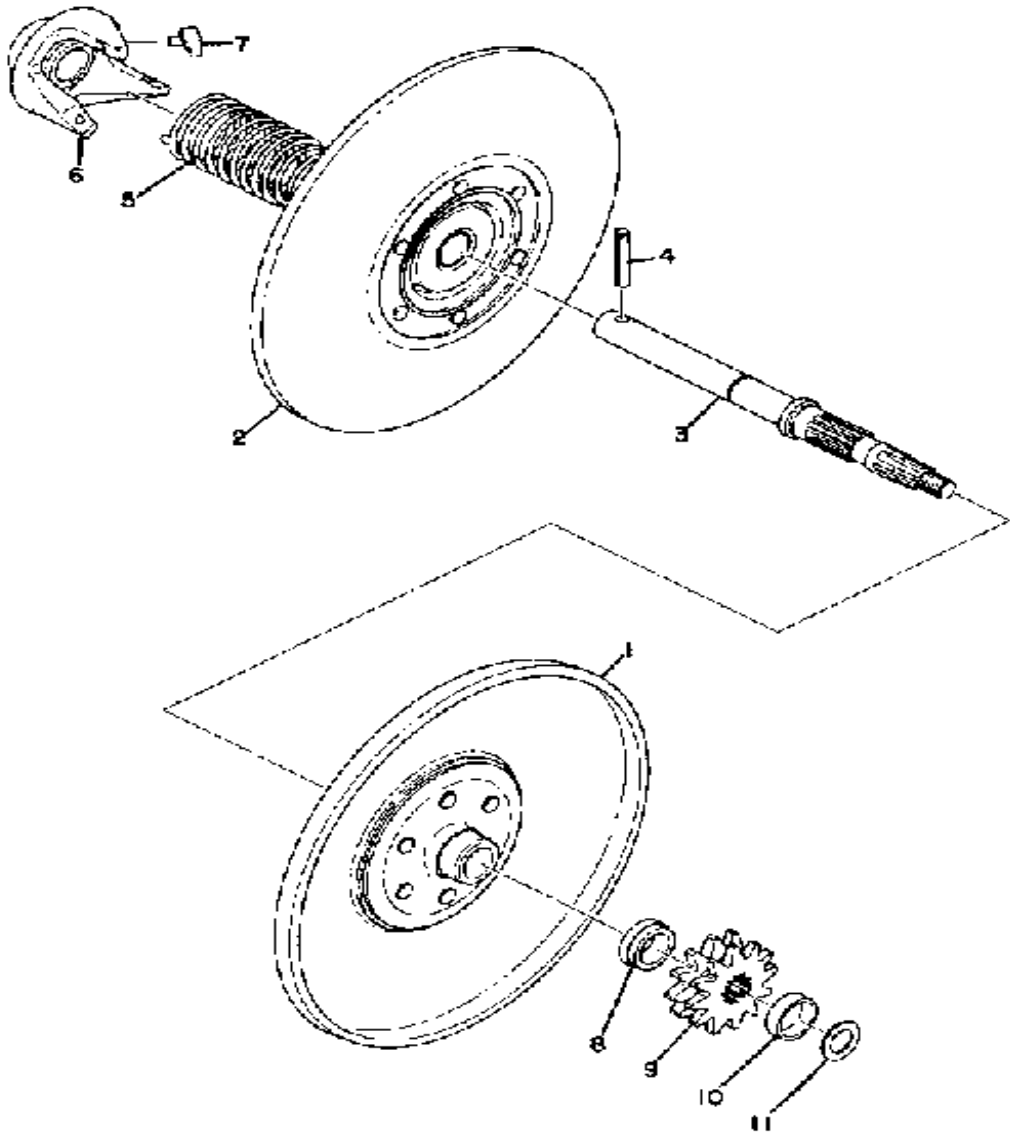
# PRIMARY SHEAVE



Ref. No.	Part Number	Description	Qty	Remarks
1	(806-17630-00-00)	PRI SHV CAP .....	1	
2	(90109-10080-00)	BOLT .....	1	
3	90215-11080-00	WASHER, LOCK (810-17646-00)	1	
4	99009-30400-00	CIRCLIP .....	1	
5	806-17645-00-00	COLLAR .....	2	
6	(90201-10370-00)	WASHER, PLATE .....	1	
7	(806-17620-00-00)	PRI SLIDG SHEAVE .....	1	
8	(90501-45163-00)	SPRING, COMPRESSION .....	1	
9	90179-28079-00	NUT, SPEC'L SHAPE .....	1	
10	90208-28003-00	WASHER, CONICAL SPR .....	1	
11	806-17644-00-00	SEAT, SPRING .....	1	
12	93306-20567-00	BEARING .....	1	
13	(806-17610-00-00)	PRI FIXED SHEAVE .....	1	
14	820-17641-00-00	V-BELT .....	1	

Property of [www.SmallEngineDiscount.com](http://www.SmallEngineDiscount.com) - Not for Resale

# SECONDARY SHEAVE

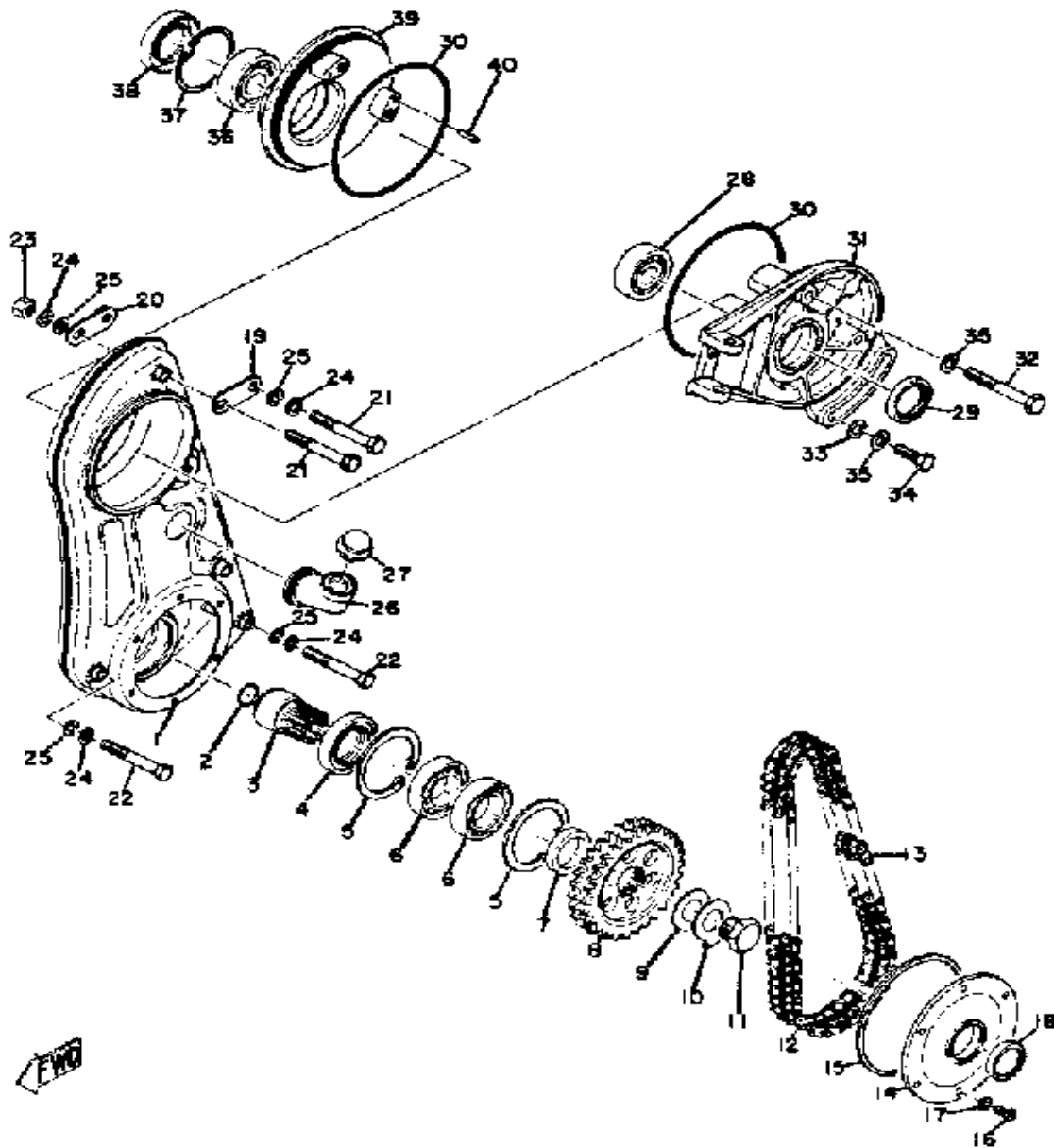


Ref. No.	Part Number	Description	Qty	Remarks
1	(810-17660-00-00)	SEC FXD SHV .....	1	
2	(806-17670-00-00)	SEC SLIDING SHEAVE .....	1	
3	(806-17681-00-00)	SHAFT, SECONDARY .....	1	ISO
4	91609-80040-00	PIN, SPRING .....	1	
5	90508-40080-00	SPRING, TORSION .....	1	
6	(806-17684-00-00)	SEAT, SEC SPRING .....	1	
7	801-17688-10-00	SHOE, RAMP .....	3	
8	90387-19149-00	COLLAR (812-17685-00) .....	1	
9	806-17682-20-00	SPROCKET, CHAIN DRIVE (12T) .....	1	
10	90387-17133-00	COLLAR .....	1	
11	(150-17417-00-03)	SHIM 1 .....	1	U.R.
	150-17417-00-02	SHIM 1 .....	1	U.R.

Property of [www.SmallEngineDiscount.com](http://www.SmallEngineDiscount.com) - Not for Resale



# TRACK DRIVE

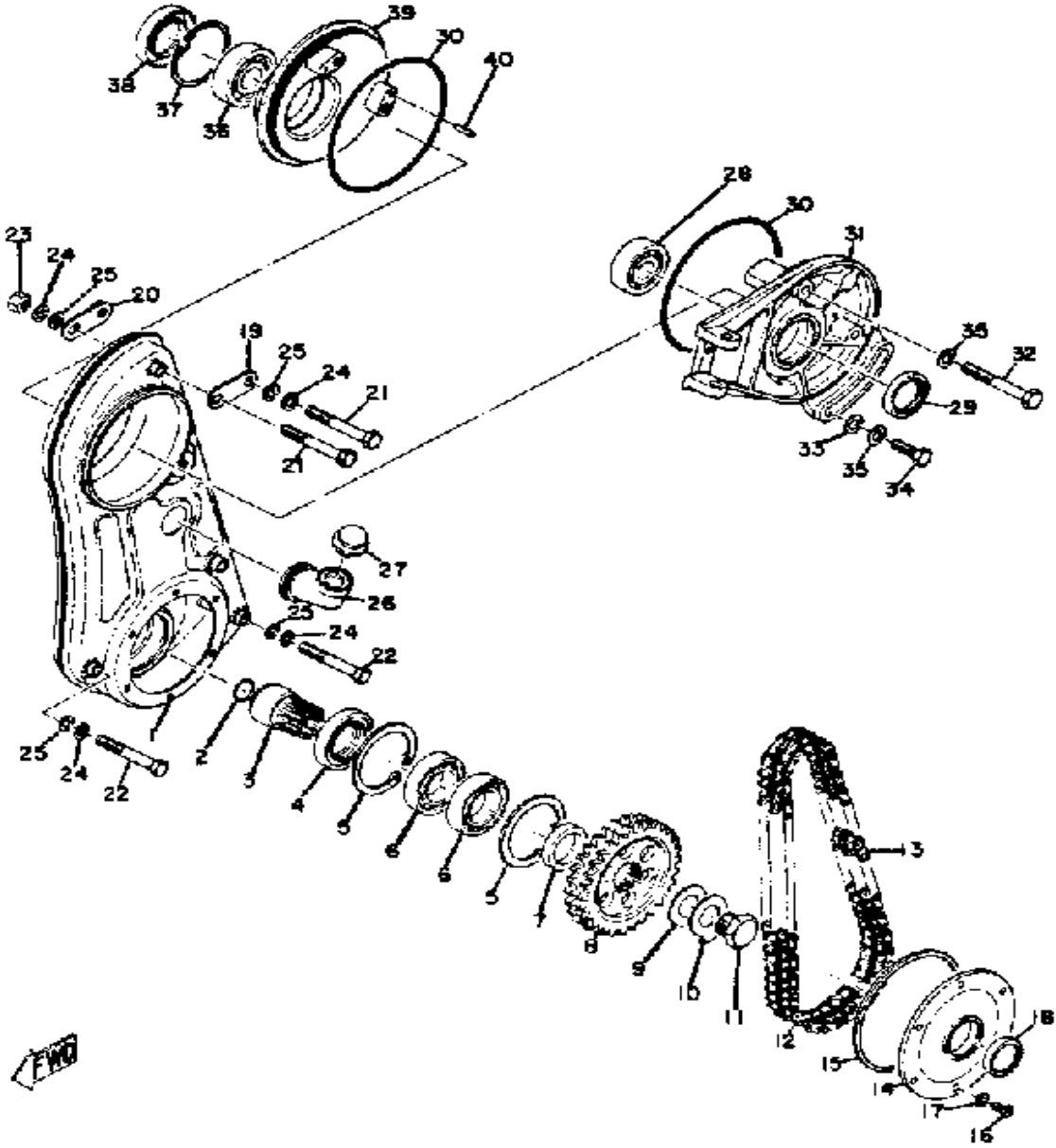


Ref. No.	Part Number	Description	Qty	Remarks
1	806-47541-00-00	HOUSING, CHAIN	1	
2	93210-25070-00	O-RING	1	
3	(806-47571-00-00)	JOURNAL 1	1	
4	(93110-40001-00)	OIL SEAL, SWO-TYPE	1	
5	93420-62070-00	CIRCLIP 54G	2	
6	(93316-00701-00)	BEARING, CYLINDER.# 6	2	
7	90387-35205-00	COLLAR	1	
8	(802-47548-40-00)	SPROCKET, CHN DRVN	1	
9	(802-47555-00-00)	WASHER	1	
10	(802-47554-10-00)	WASHER, LOCK	1	N/A
11	90109-24202-00	BOLT (802-47553-00)	1	
12	94804-25062-00	CHAIN (DK425-2 62L)	1	
13	94904-25001-00	. JOINT CHAIN	1	
14	(806-47543-00-00)	CAP, HOUSING	1	
15	(806-47558-00-00)	RING, HOUSING	1	
16	90143-05004-00	SCREW, HEXAGON	6	
17	90210-05005-00	WASHER, SEAL	6	
18	802-47546-01-00	LEVEL, OIL	1	
19	(802-47565-00-00)	STAY 1	1	N/A
20	(802-47566-00-00)	STAY 2	1	N/A
21	97306-08070-00	BOLT, HEXAGON (ISO) (97206-08070)	2	ISO
22	97021-08070-00	BOLT	3	ISO
23	95336-08600-00	NUT	1	ISO
24	92990-08100-00	WASHER	5	
25	92990-08200-00	WASHER, PLAIN	5	
26	(801-47547-00-00)	FILLER, OIL	1	
27	(204-15371-00-00)	BREATHER	1	
28	93306-30302-00	BEARING	1	

CONTINUED ON NEXT FRAME ►

Property of [www.SmallEngineDiscount.com](http://www.SmallEngineDiscount.com) - Not for Resale

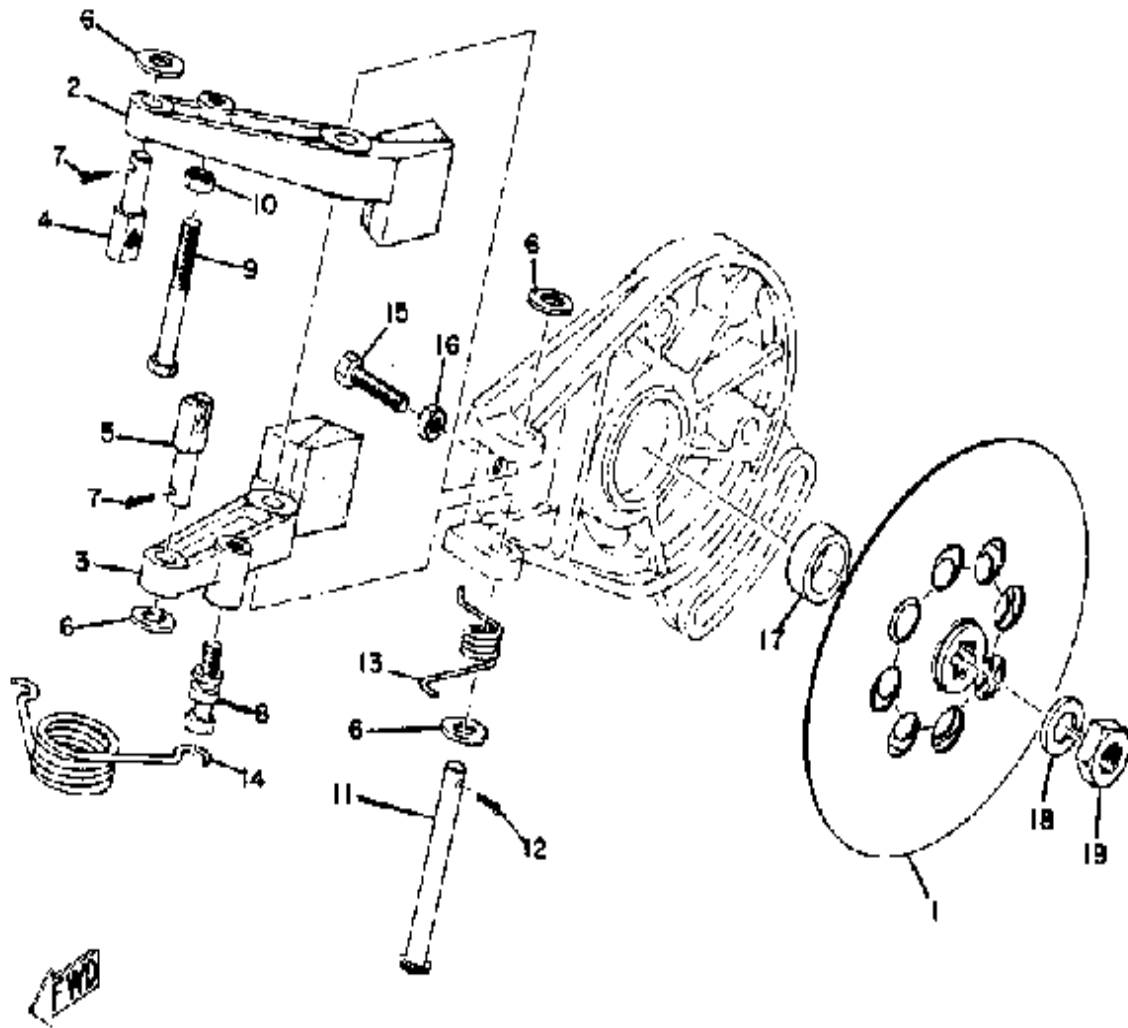
# TRACK DRIVE



Ref. No.	Part Number	Description	Qty	Remarks
29	93102-25360-00	OIL SEAL .....	1	
30	93211-13109-00	O-RING .....	2	
31	(806-47561-00-00)	HOUSING, SEC SHAFT .....	1	
32	97021-08065-00	BOLT .....	2	ISO
33	92990-08200-00	WASHER, PLAIN .....	1	
34	97013-08025-00	BOLT .....	1	ISO
35	92990-08100-00	WASHER .....	3	
36	93306-30421-00	BEARING (B6304C3) .....	1	
37	99009-52500-00	CIRCLIP .....	1	
38	93102-30072-00	OIL SEAL, SD-TYPE .....	1	
39	(806-47562-00-00)	HOUSING, SEC SHAFT .....	1	
40	93604-18058-00	PIN, DOWEL .....	2	

Property of [www.SmallEngineDiscount.com](http://www.SmallEngineDiscount.com) - Not for Resale

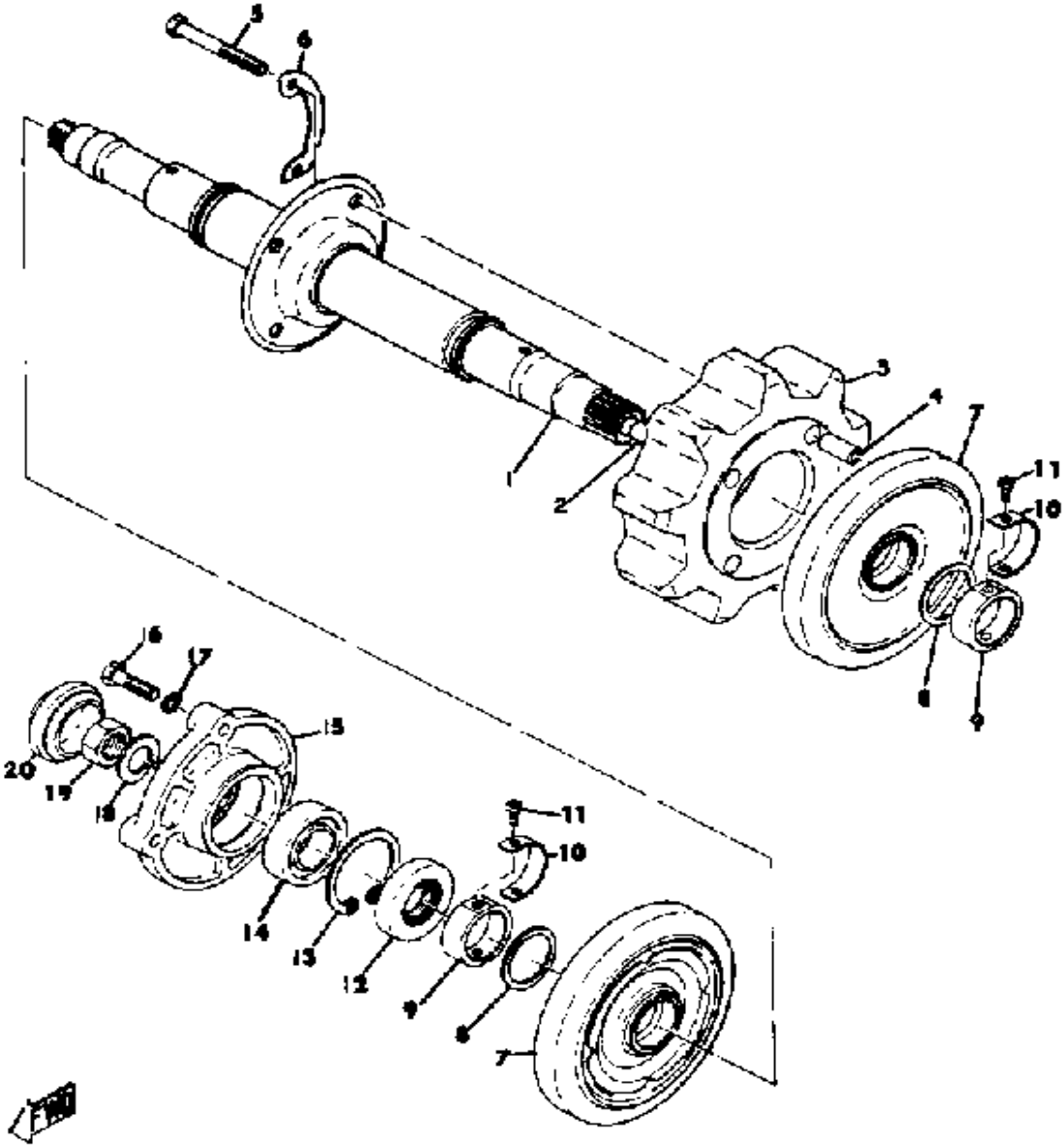
# BRAKE



Ref. No.	Part Number	Description	Qty	Remarks
1	(806-25711-00-00)	DISC, BRAKE	1	
2	(806-25740-00-00)	CALIPER BODY 2	1	
3	(806-25730-00-00)	CALIPER BODY 1	1	
4	(801-25734-00-00)	PIN 1	1	
5	(801-25744-00-00)	PIN 2	1	N/A
6	92990-08200-00	WASHER, PLAIN	4	
7	91401-30020-00	PIN, COTTER	2	
8	(801-25736-00-00)	HOOK, SPRING	1	N/A
9	97313-06055-00	BOLT, HEXAGON (97322-06055)	1	
10	95380-06700-00	NUT	1	
11	(91501-08070-00)	PIN, CLEVIS	1	
12	91490-20020-00	PIN, COTTER	1	
13	(90508-23193-00)	SPRING, TORSION	1	
14	90508-29049-00	SPRING, TORSION	1	
15	97023-06020-00	BOLT (3XF)	1	
16	95380-06700-00	NUT	1	
17	90387-17133-00	COLLAR	1	
18	92901-12100-00	WASHER, SPRING	1	
19	95301-12700-00	NUT (95302-12700)	1	ISO

Property of [www.SmallEngineDiscount.com](http://www.SmallEngineDiscount.com) - Not for Resale

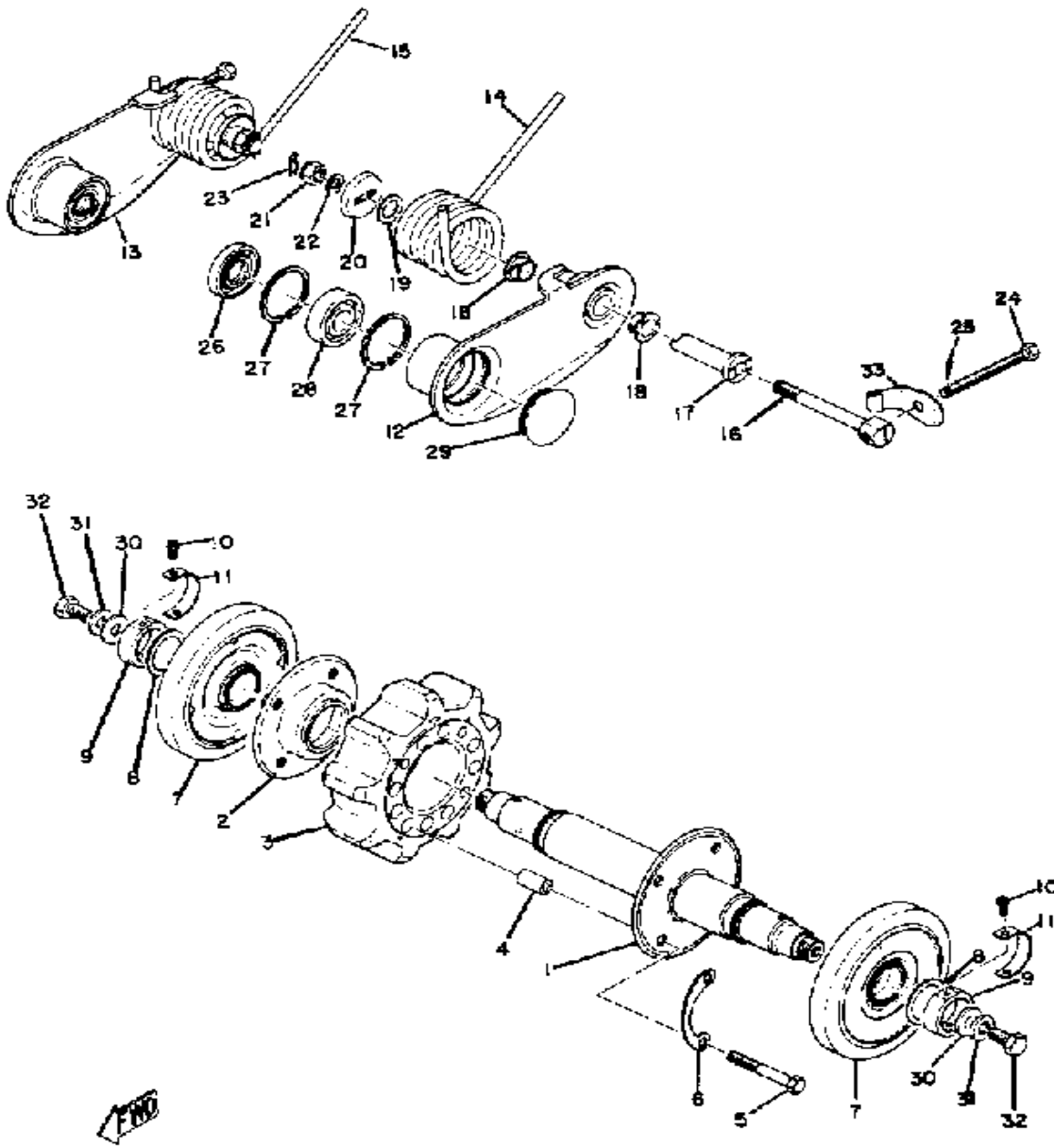
# FRONT AXLE



Ref. No.	Part Number	Description	Qty	Remarks
1	806-47510-00-00	FRONT AXLE .....	1	
2	(802-47575-00-00)	PLUG .....	1	
3	(806-47531-00-00)	WHEEL, SPROCKET 1 .....	1	
4	90387-09072-00	COLLAR .....	4	
5	97021-08070-00	BOLT .....	4	
6	802-47517-00-00	WASHER, LOCK .....	2	
7	(806-47530-00-00)	GUIDE WHEEL .....	2	
8	90201-34683-00	WASHER, PLATE (90201-33299-00) .....	2	
9	(806-47536-00-00)	COLLAR .....	2	N/A
10	(806-47539-00-00)	WASHER, LOCK .....	2	
11	90153-06004-00	SCREW, HEXAGON .....	4	
12	(93105-30014-00)	OIL SEAL, SDD-TYPE .....	1	
13	99009-52500-00	CIRCLIP .....	1	
14	93306-20529-00	BEARING (B6205C4) .....	1	
15	(802-47551-00-00)	HOUSING, FRONT AXLE .....	1	
16	97313-06030-00	BOLT, HEXAGON .....	3	
17	92995-06100-00	WASHER, SPRING .....	3	
18	92901-18100-00	WASHER, SPRING .....	1	
19	90170-18089-00	NUT, HEXAGON .....	1	
20	(802-47552-01-00)	CAP .....	1	

Property of [www.SmallEngineDiscount.com](http://www.SmallEngineDiscount.com) - Not for Resale

# REAR AXLE

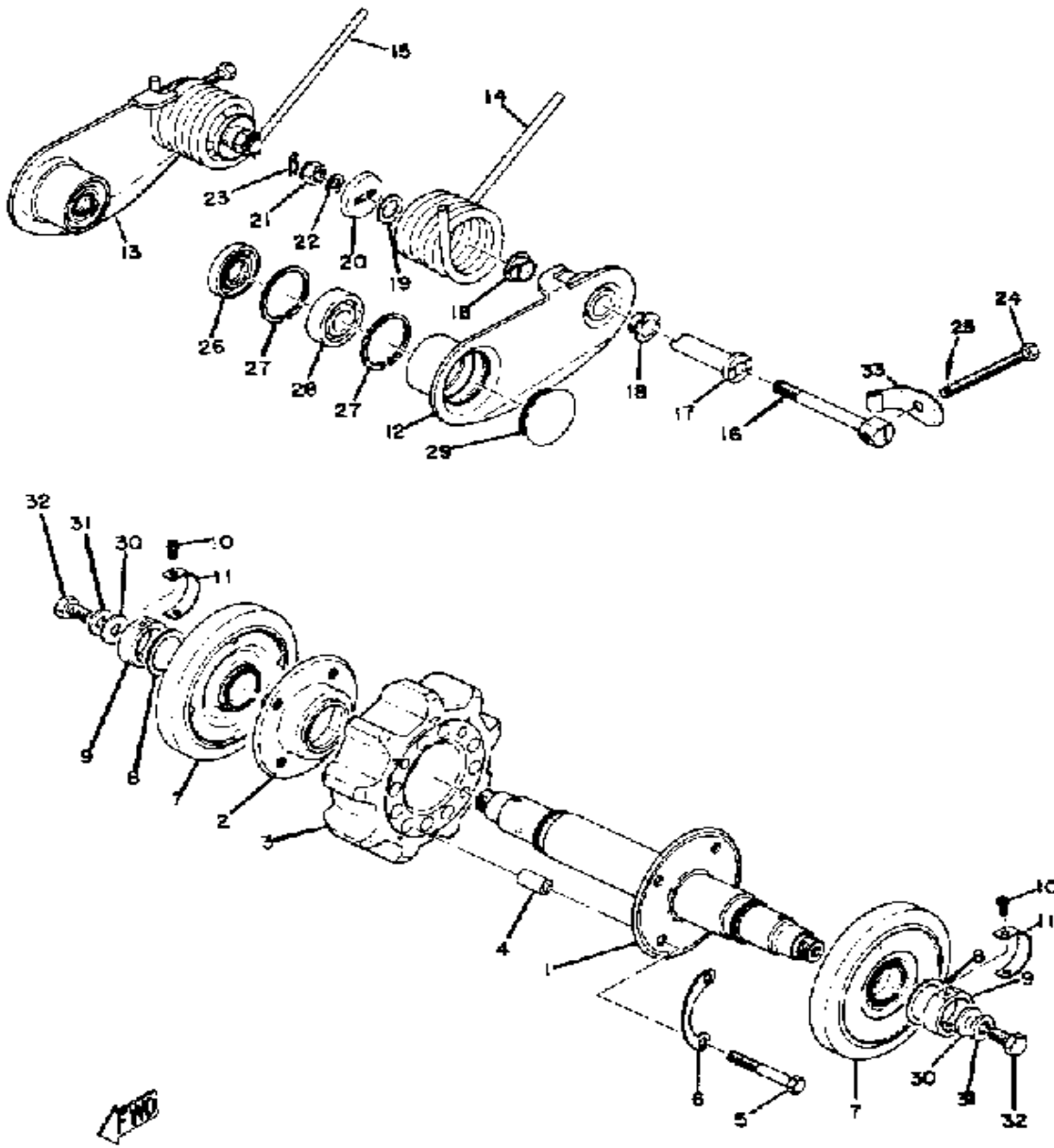


Ref. No.	Part Number	Description	Qty	Remarks
1	(806-47520-00-00)	REAR AXLE .....	1	
2	(806-47522-00-00)	RIM, SPROCKET WHL 2 .....	1	
3	(806-47531-00-00)	WHEEL, SPROCKET 1 .....	1	
4	90387-09072-00	COLLAR .....	4	
5	97021-08070-00	BOLT .....	4	ISO
6	802-47517-00-00	WASHER, LOCK .....	2	
7	(806-47530-00-00)	GUIDE WHEEL .....	2	
8	90201-34683-00	WASHER, PLATE (90201-33299-00) .....	2	
9	(806-47536-00-00)	COLLAR .....	2	N/A
10	90153-06004-00	SCREW, HEXAGON .....	4	
11	(806-47539-00-00)	WASHER, LOCK .....	2	
12	(806-47361-00-00)	ARM, REAR PIVOT 1 .....	1	
13	806-47362-00-00	ARM, REAR PIVOT 2 (R.H) ...	1	
14	90508-70115-00	SPRING, TORSION .....	1	
15	90508-70085-00	SPRING, TORSION (806-47364-00) .....	1	
16	(90149-10042-00)	SCREW, SPEC'L SHAPE ....	2	
17	806-47369-00-00	COLLAR .....	2	
18	(806-47371-00-00)	BUSH, PIVOT .....	4	
19	(806-47384-00-00)	WASHER .....	2	
20	(806-47374-00-00)	WASHER 1 .....	2	
21	90185-10017-00	NUT, SELF-LOCKING .....	2	
22	92990-10100-00	WASHER, SPRING .....	2	
23	90468-10050-00	CLIP .....	2	
24	90106-08050-00	BOLT, DOME HEAD (841-47373-00) .....	2	
25	91401-30030-00	PIN, COTTER .....	2	
26	93102-25044-00	OIL SEAL .....	2	
27	99009-47500-00	CIRCLIP .....	4	

CONTINUED ON NEXT FRAME ➤

Property of [www.SmallEngineDiscount.com](http://www.SmallEngineDiscount.com) - Not for Resale

# REAR AXLE

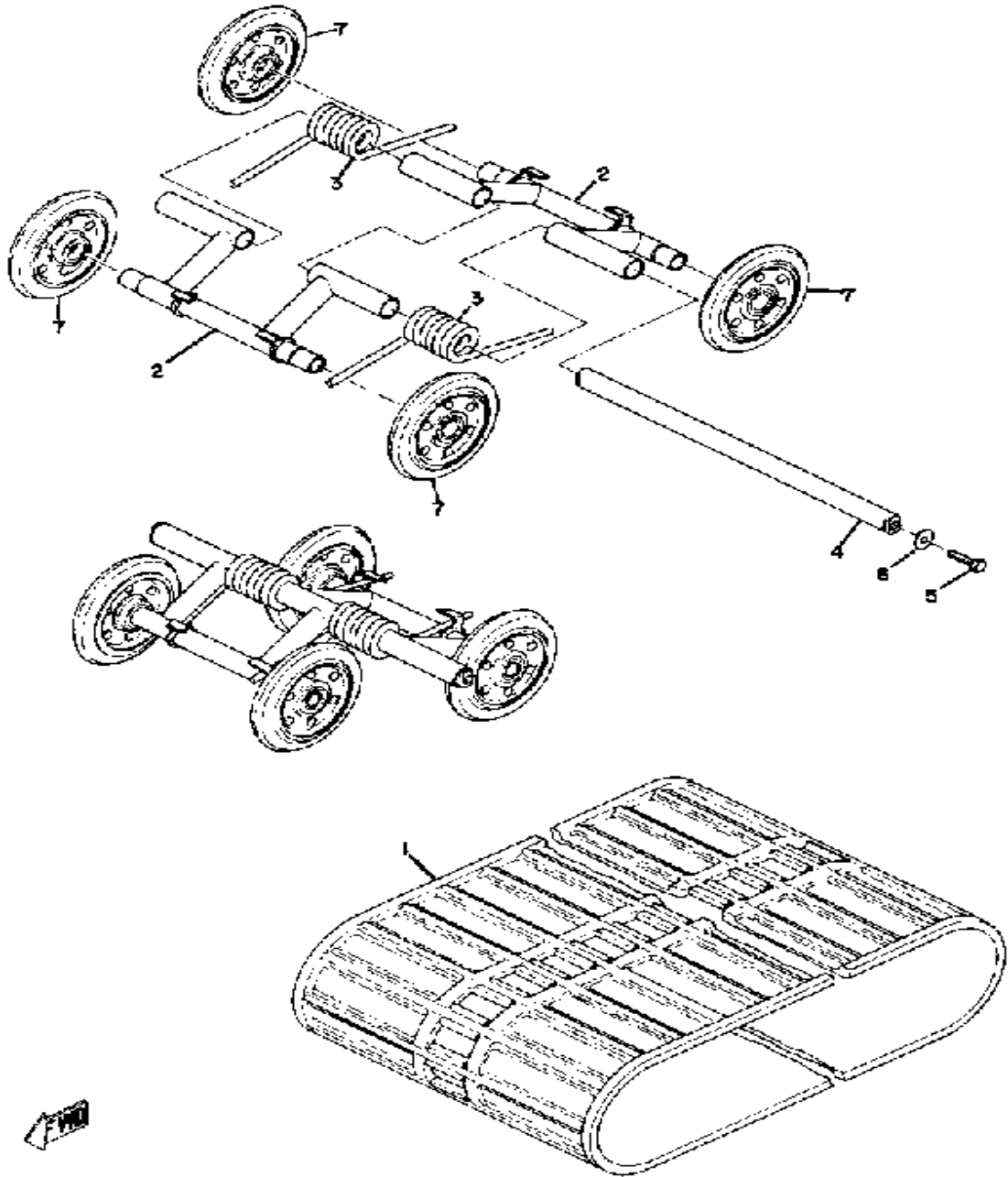


Ref. No.	Part Number	Description	Qty	Remarks
28	93306-20417-00	BEARING (B62042RS)	2	
29	802-47377-00-00	CAP	2	
30	90201-16513-00	WASHER, PLATE (12.5-30-2.6)	2	
31	92901-12100-00	WASHER, SPRING	2	
32	97001-12020-00	BOLT	2	
33	90215-09072-00	WASHER, LOCK (806-47378-00)	2	

Property of [www.SmallEngineDiscount.com](http://www.SmallEngineDiscount.com) - Not for Resale

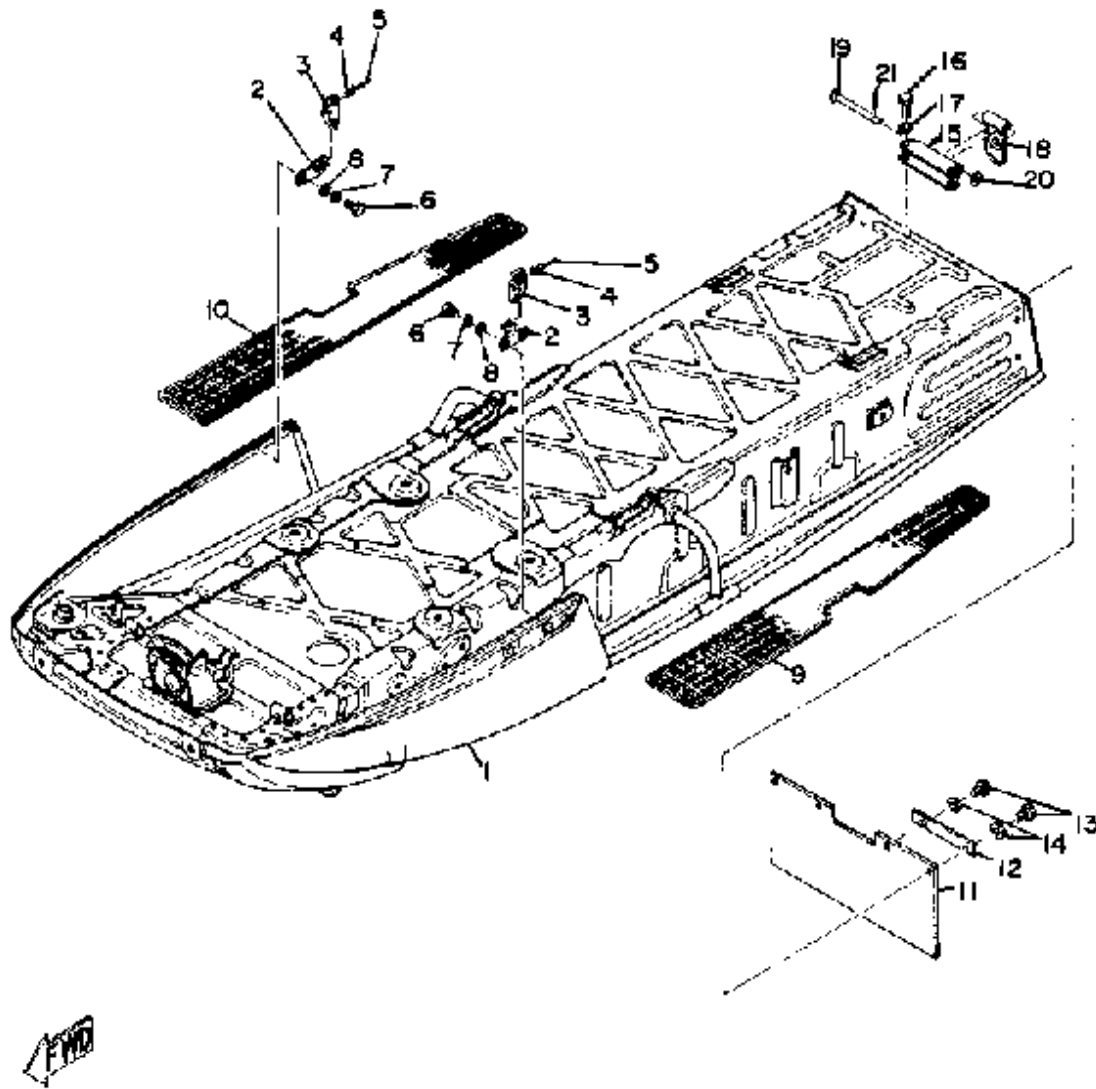
**B10**

# TRACK & SUSPENSION WHEEL



Ref. No.	Part Number	Description	Qty	Remarks
1	(861-47110-00-00)	TRACK ASSEMBLY .....	1	
2	(806-47331-01-00)	ARM, PIVOT 1 .....	6	
3	90508-70095-00	SPRING, TORSION (806-47335-00) .....	12	
4	(802-47337-00-00)	SHAFT, PIVOT .....	3	
5	97313-08030-00	BOLT, HEXAGON .....	6	ISO
6	(806-47347-00-00)	WASHER, LOCK .....	6	
7	8A9-47310-01-00	SUSPENSION WHL ASSEMBLY (810-47310-00) .....	12	

Property of [www.SmallEngineDiscount.com](http://www.SmallEngineDiscount.com) - Not for Resale



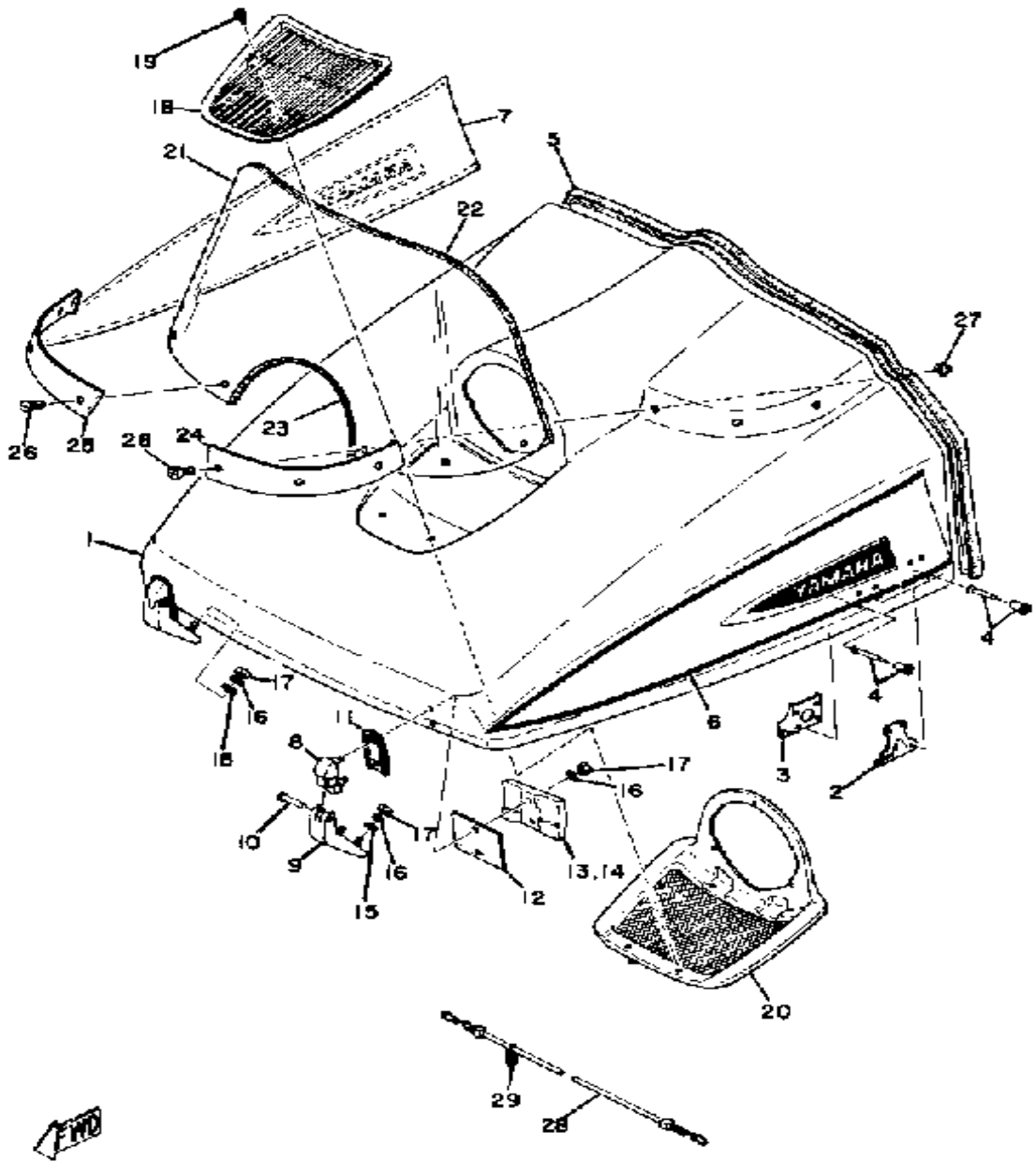
# FRAME

Ref. No.	Part Number	Description	Qty	Remarks
1	(806-21910-00-00)	FRAME .....	1	N/A
2	(806-77172-00-00)	BODY, LATCH 2 .....	2	
3	806-77173-00-00	. LEVER, LATCH 1 .....	2	
4	90508-10012-00	. SPRING, TORSION .....	2	
5	90249-04068-00	. PIN, SPECL SHAPE .....	2	
6	(97306-05015-00)	BOLT, HEXAGON .....	4	ISO
7	92906-05100-00	WASHER, SPRING .....	4	
8	90201-05029-00	WASHER, PLATE .....	4	
9	(806-27413-00-00)	COVER, FOOTREST .....	1	
10	(806-27423-00-00)	COVER, FOOTREST .....	1	
11	(802-77595-02-00)	FLAP .....	1	
12	(802-77593-00-00)	PLATE, FLAP 1 .....	2	
13	97313-06016-00	BOLT, HEXAGON .....	4	
14	92995-06100-00	WASHER, SPRING .....	4	
15	(802-77592-00-00)	BRACKET, HITCH 2 .....	1	
16	97313-06040-00	BOLT, HEXAGON .....	2	
17	92995-06100-00	WASHER, SPRING .....	2	
18	802-77591-00-00	BRACKET, HITCH 1 .....	1	
19	(91701-08102-00)	PIN, CLEVIS .....	1	
20	92990-08200-00	WASHER, PLAIN .....	1	
21	91401-25020-00	PIN, COTTER .....	1	
-1	806-77170-00-00	LATCH ASSEMBLY .....	2	

Property of [www.SmallEngineDiscount.com](http://www.SmallEngineDiscount.com) - Not for Resale



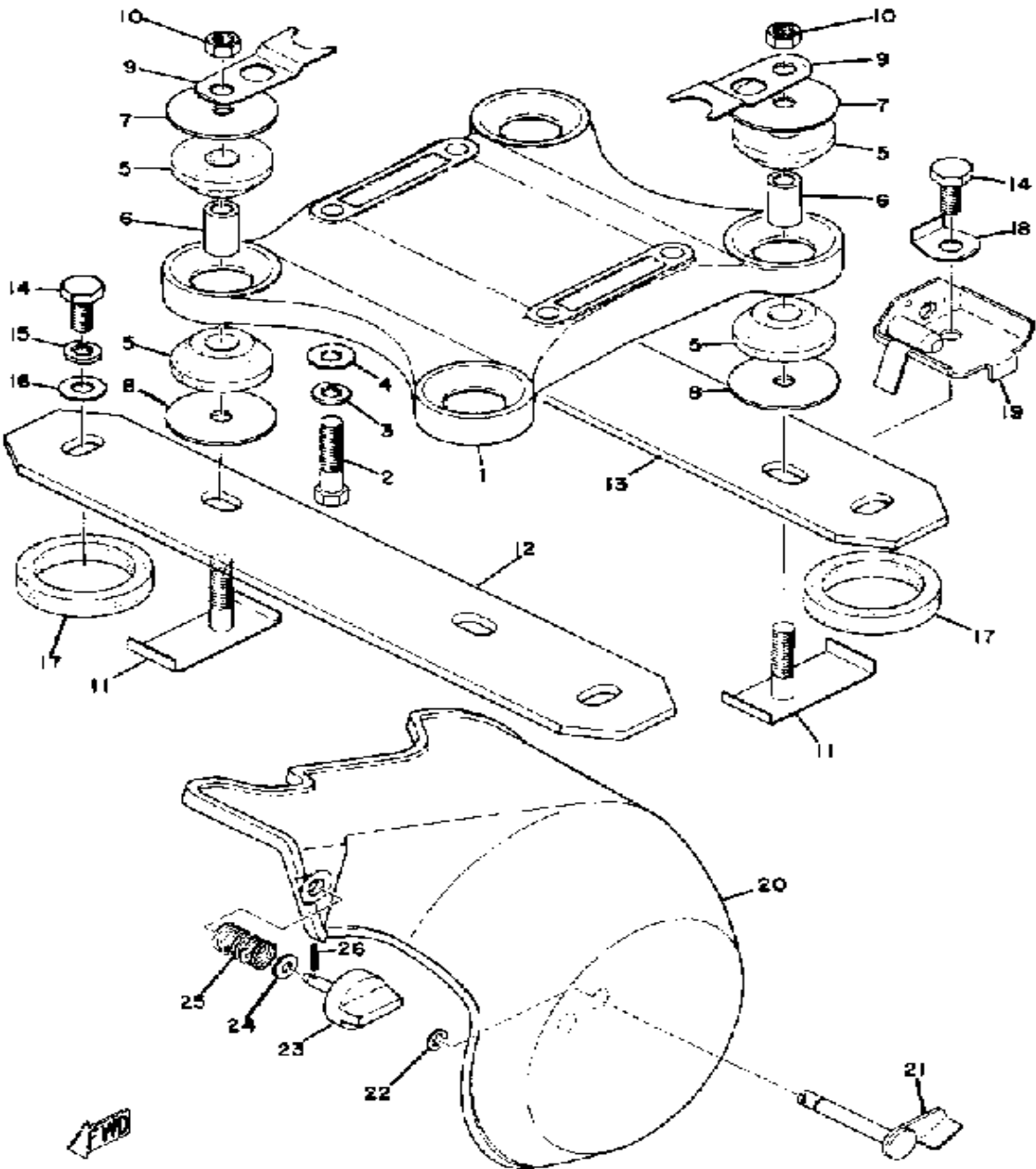
# SHROUD



Ref. No.	Part Number	Description	Qty	Remarks
1	(806-77111-00-00)	SHROUD	1	
2	806-77171-00-00	. BODY, LATCH 1	2	
3	(806-77138-00-00)	CLAMP 4	2	
4	90267-40026-00	. RIVET, BLIND (806-77175-00)	16	
5	(806-77166-00-00)	TRIM 2	1	
6	(806-77163-00-00)	ORNAMENT 1	1	
7	(806-77164-00-00)	ORNAMENT 2	1	
8	(806-77145-00-00)	HINGE 1	2	
9	806-77147-00-00	HINGE 3	2	
10	90243-05002-00	PIN (806-77157-00)	2	
11	(806-77198-00-00)	DAMPER 1	2	
12	(806-77199-00-00)	DAMPER 2	2	
13	810-77153-00-00	PLATE, BACK UP 1	1	
14	(806-77154-00-00)	PLATE, BACK UP 2	1	N/A
15	92906-06200-00	WASHER	4	
16	92906-06100-00	WASHER, SPRING	8	
17	95316-06600-00	NUT	8	
18	(806-77131-00-00)	LOUVER 1	1	N/A
19	98906-05016-00	SCREW, BIND	2	ISO
20	(806-77139-00-00)	HOLDER, ROD 1	1	N/A
21	(806-77210-00-00)	WINDSHIELD	1	
22	(806-77213-00-00)	TRIM, UPPER	1	
23	(806-77216-00-00)	TRIM 4	1	
24	(806-77214-00-00)	TRIM, LOWER	1	
25	806-77215-00-00	TRIM 3	1	
26	98901-05016-00	SCREW, BIND (98903-05016-00)	6	ISO
27	90180-05004-00	NUT, T (802-77217-00)	6	
28	(806-77118-00-00)	STOPPER, SHROUD	1	N/A
29	(806-77159-00-00)	CLAMP, ROD	1	

Property of [www.SmallEngineDiscount.com](http://www.SmallEngineDiscount.com) - Not for Resale

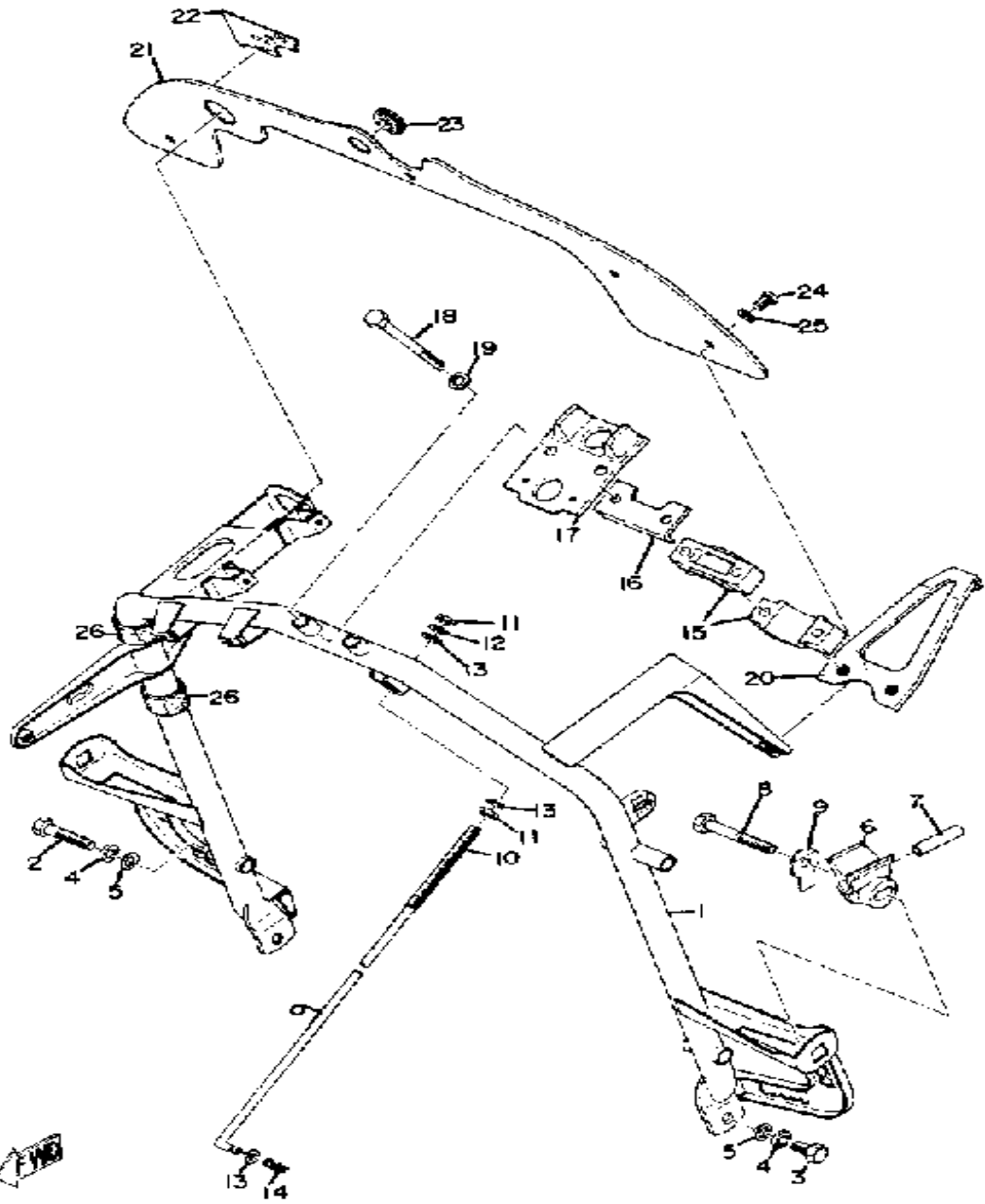
# ENGINE BRACKET



Ref. No.	Part Number	Description	Qty	Remarks
1	(807-21411-00-00)	BRACKET, ENGINE 1	1	
2	97313-10050-00	BOLT, HEXAGON (676)	4	
3	92990-10100-00	WASHER, SPRING	4	
4	92990-10200-00	WASHER, PLAIN	4	
5	807-15316-00-00	DAMPER, ENG MOUNT 1	8	
6	90560-10020-00	SPACER	4	
7	(807-21491-00-00)	WASHER, LOCK	4	
8	90201-10152-00	WASHER, PLATE (807-21492-00)	4	
9	(90215-10074-00)	WASHER, LOCK	4	
10	95303-10700-00	NUT	4	
11	(807-21482-00-00)	BOLT, ENG MNTNG 2	4	
12	(806-21419-00-00)	BRACKET, ENGINE 2	1	
13	(806-21429-00-00)	BRACKET, ENGINE 3	1	N/A
14	90101-10055-00	BOLT	4	
15	92990-10100-00	WASHER, SPRING	3	
16	92990-10200-00	WASHER, PLAIN	3	
17	806-21485-00-00	DAMPER, RUBBER 1	4	
18	(806-21491-00-00)	WASHER, LOCK	1	
19	(806-77315-00-00)	BRACKET 1	1	
20	(806-77311-00-00)	GUARD, DRIVE	1	
21	806-77314-00-00	ARM, FITTING	1	
22	99009-06600-00	CIRCLIP	1	
23	(806-77324-00-00)	KNOB	1	
24	(802-77179-00-00)	WASHER 2	2	N/A
25	90501-16103-00	SPRING, COMPRESSION	1	
26	91690-25016-00	PIN, SPRING	1	

Property of [www.SmallEngineDiscount.com](http://www.SmallEngineDiscount.com) - Not for Resale

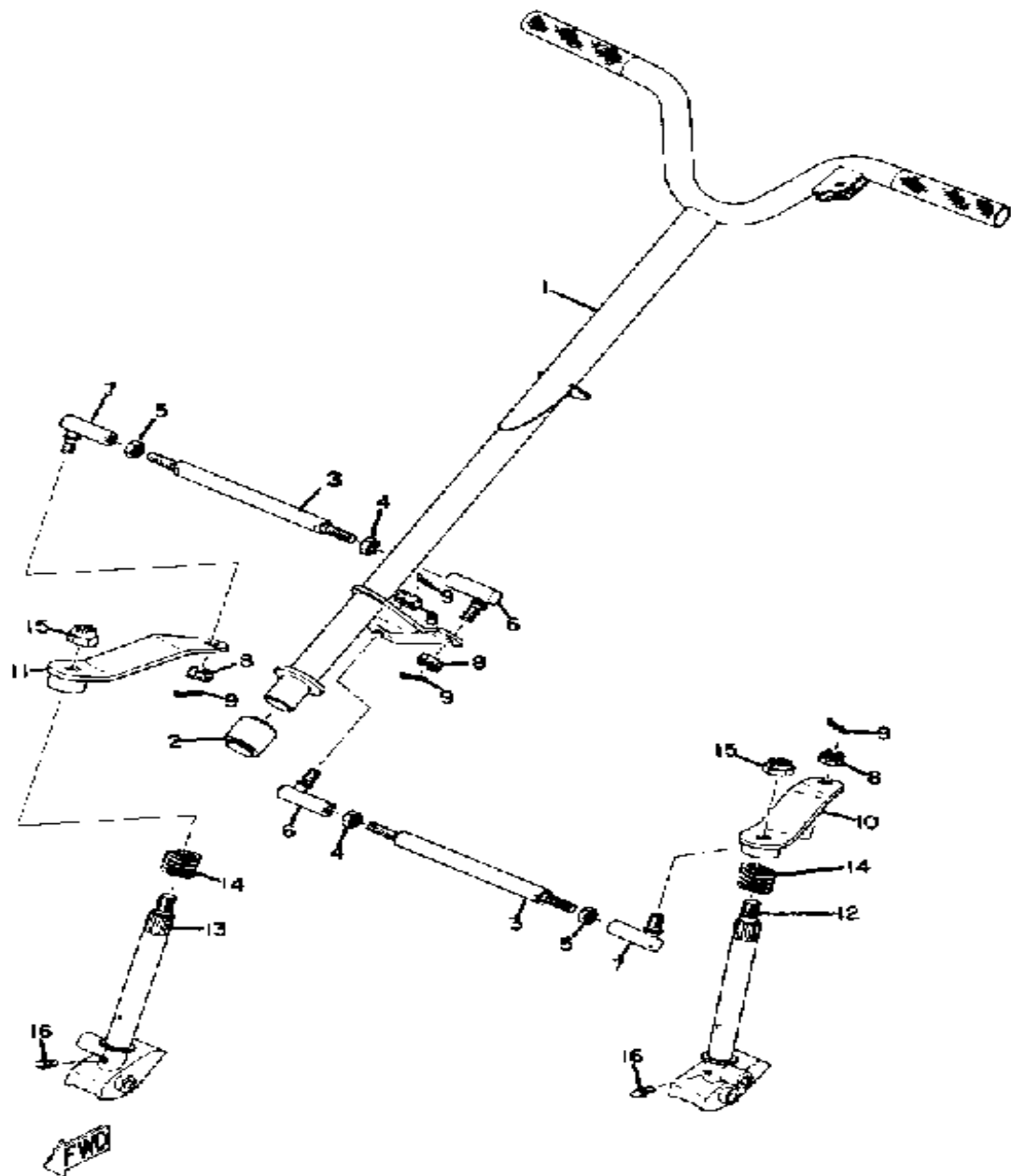
# STEERING GATE



Ref. No.	Part Number	Description	Qty	Remarks
1	(806-23871-00-00)	GATE, STEERING .....	1	
2	97313-08045-00	BOLT .....	2	ISO
3	97313-08018-00	BOLT, HEXAGON (97301-08016) .....	2	ISO
4	92906-08100-00	WASHER, SPRING .....	4	
5	92906-08200-00	WASHER .....	4	
6	(806-77137-00-00)	CLAMP 3 .....	2	
7	(802-77188-00-00)	STOPPER .....	2	N/A
8	(97306-08060-00)	BOLT, HEXAGON .....	2	ISO
9	(90215-08039-00)	WASHER, LOCK .....	2	
10	(806-23860-00-00)	TENSION BAR .....	1	N/A
11	95380-06700-00	NUT .....	2	ISO
12	92995-06100-00	WASHER, SPRING .....	1	
13	92990-06200-00	WASHER .....	3	
14	90468-10050-00	CLIP .....	1	
15	(806-23873-00-00)	BEARING, STRG UPPER .....	2	
16	(802-23872-00-00)	HOLDER, BEARING .....	1	
17	(806-77196-00-00)	DAMPER, SHROUD .....	1	
18	(97306-08085-00)	BOLT, HEXAGON .....	2	ISO
19	92906-08100-00	WASHER, SPRING .....	2	
20	(806-77721-00-00)	BRACKET 1 .....	1	
21	(806-77711-00-00)	PANEL, INSTRUMENT .....	1	
22	(806-77741-00-00)	INDICATOR 1 .....	1	
23	(102-82598-00-00)	GROMMET .....	1	
24	98906-06012-00	SCREW, BIND .....	4	
25	92906-06200-00	WASHER .....	4	
26	(802-21746-00-00)	DAMPER .....	2	N/A

Property of [www.SmallEngineDiscount.com](http://www.SmallEngineDiscount.com) - Not for Resale

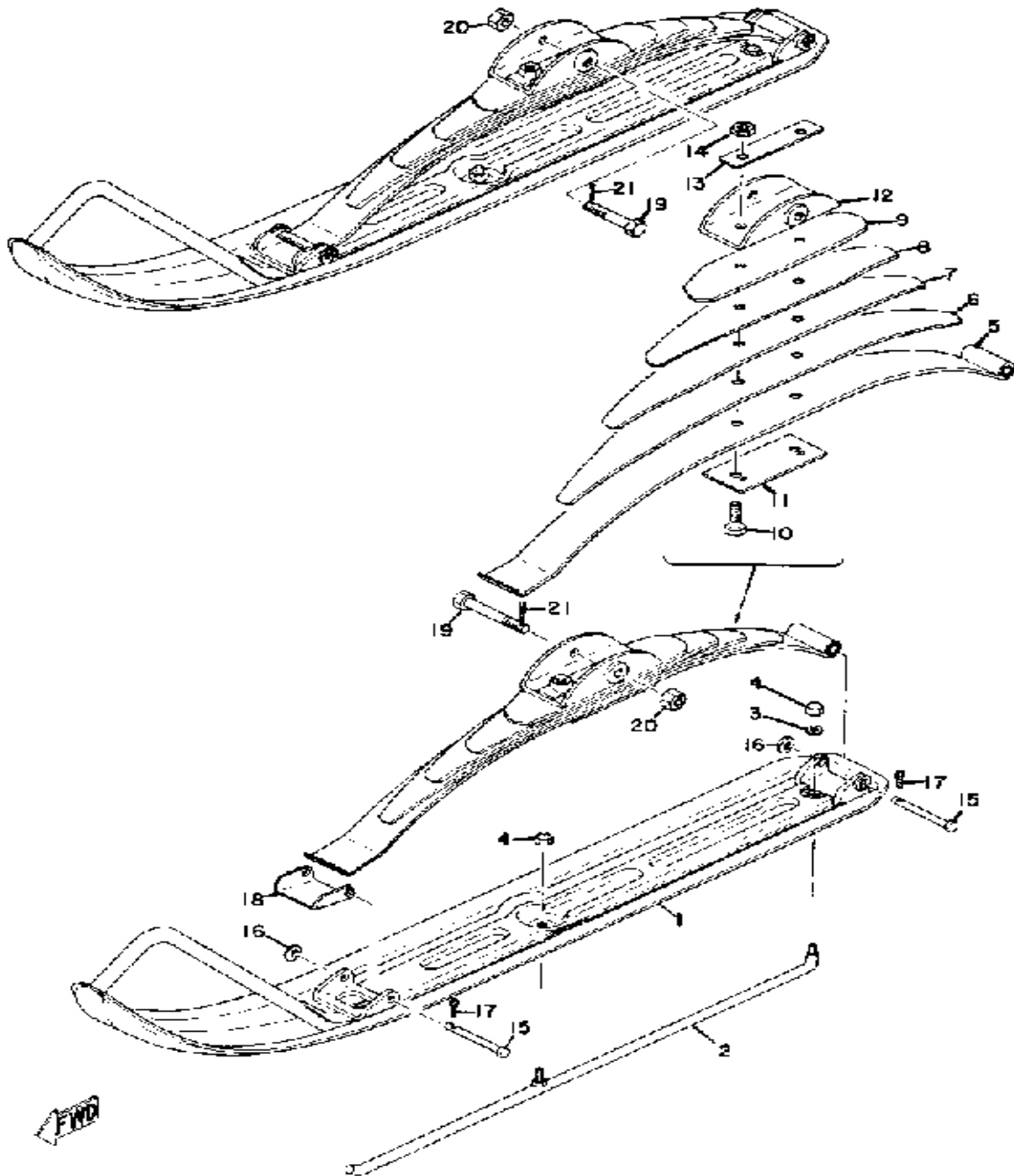
# STEERING



Ref. No.	Part Number	Description	Qty	Remarks
1	(806-23811-00-00)	COLUMN, STEERING	1	
2	(806-23875-00-00)	BEARING, STRG LOWER	1	
3	806-23821-00-00	ROD, STEERING RELAY	2	
4	90170-10082-00	NUT, HEXAGON (802-23833-00)	2	
5	(90170-10135-00)	NUT, HEXAGON	2	
6	(806-23841-91-00)	JOINT, UNIVERSAL 1	2	
7	806-23845-00-00	JOINT, UNIVERSAL 2	2	
8	95306-10900-00	NUT, SLOTTED	4	
9	91401-25030-00	PIN, COTTER	4	
10	(806-23851-00-00)	ARM, OUTSIDE 1	1	N/A
11	(806-23852-00-00)	ARM, OUTSIDE 2	1	
12	(806-23853-00-00)	COLUMN, SKI 1	1	
13	(806-23854-00-00)	COLUMN, SKI 2	1	
14	90501-35154-00	SPRING, COMPRESSION	2	
15	95306-12600-00	NUT	2	
16	93700-06M03-00	NIPPLE, GREASE	2	

Property of [www.SmallEngineDiscount.com](http://www.SmallEngineDiscount.com) - Not for Resale

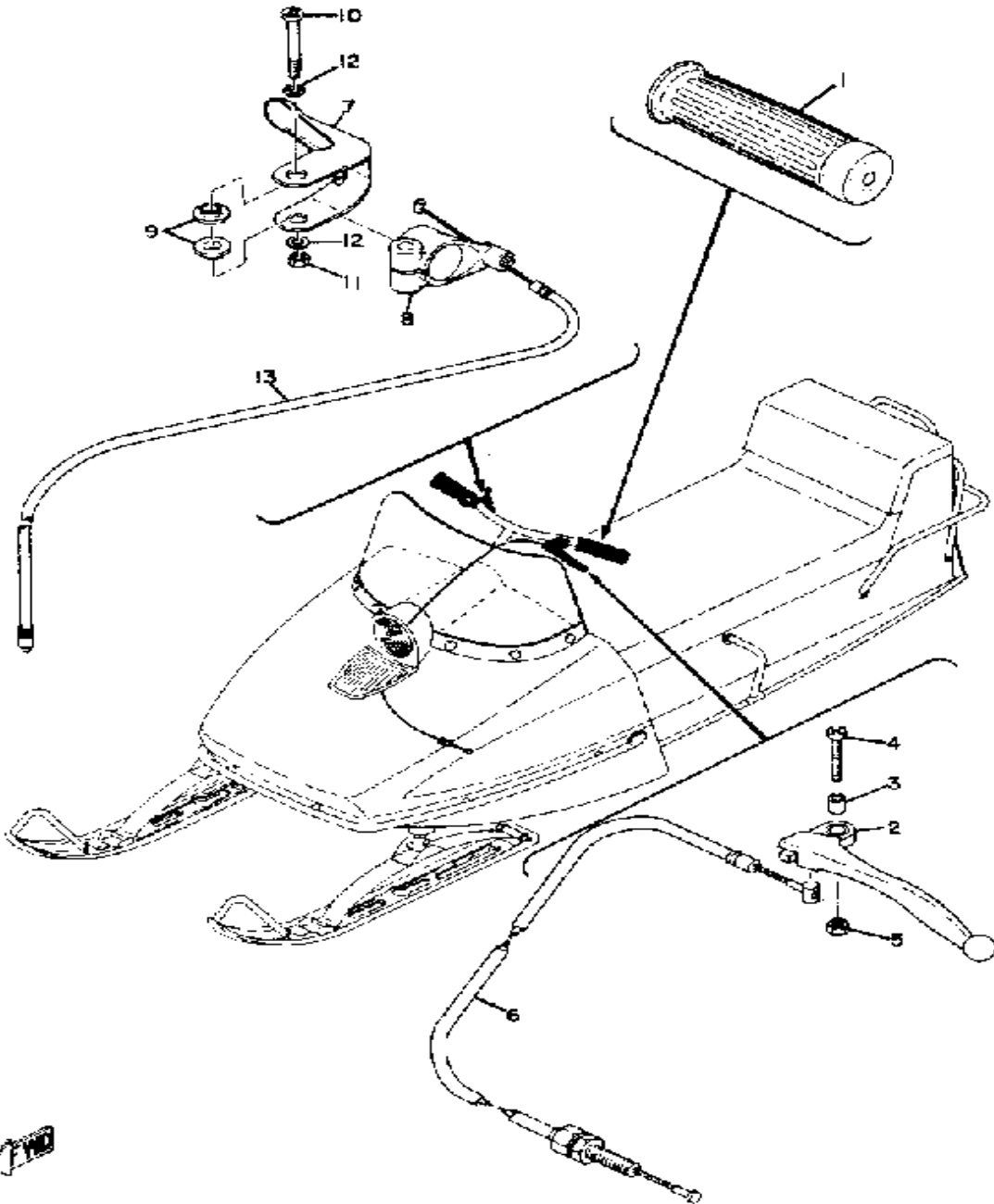
# SKI



Ref. No.	Part Number	Description	Qty	Remarks
1	(838-23710-01-00)	SKI 1	2	
2	806-23731-01-00	RUNNER 1	2	FOR 806 SKI
	838-23731-03-00	RUNNER 1	2	FOR 838 SKI
3	90201-06643-00	WASHER, PLATE	2	
4	95701-06300-00	NUT, NYLON	4	
5	806-23761-00-00	. LEAF 1	2	
6	(806-23762-00-00)	LEAF 2	2	
7	(806-23763-00-00)	LEAF 3	2	
8	(806-23764-00-00)	LEAF 4	2	
9	(806-23771-00-00)	LEAF 5	2	
10	90101-10060-00	. BOLT	4	
11	802-23768-00-00	. SEAT, SPRING 1	2	
12	806-23766-00-00	. SADDLE 1	2	
13	90209-10069-00	. WASHER, SPEC'L SHAP	2	
14	95336-10600-00	. NUT	4	
15	90240-08035-00	PIN, CLEVIS (801-23733-00)	4	
16	92906-08200-00	WASHER	4	
17	91401-30020-00	PIN, COTTER	4	
18	802-23735-00-00	PLATE, WEAR 1	2	
19	(90102-10013-00)	BOLT, WITH HOLE	2	
20	95306-10900-00	NUT, SLOTTED	2	
21	91490-20025-00	PIN, SPLIT	2	
-1	(806-23760-00-00)	SPRING ASSEMBLY 1	2	

Property of [www.SmallEngineDiscount.com](http://www.SmallEngineDiscount.com) - Not for Resale

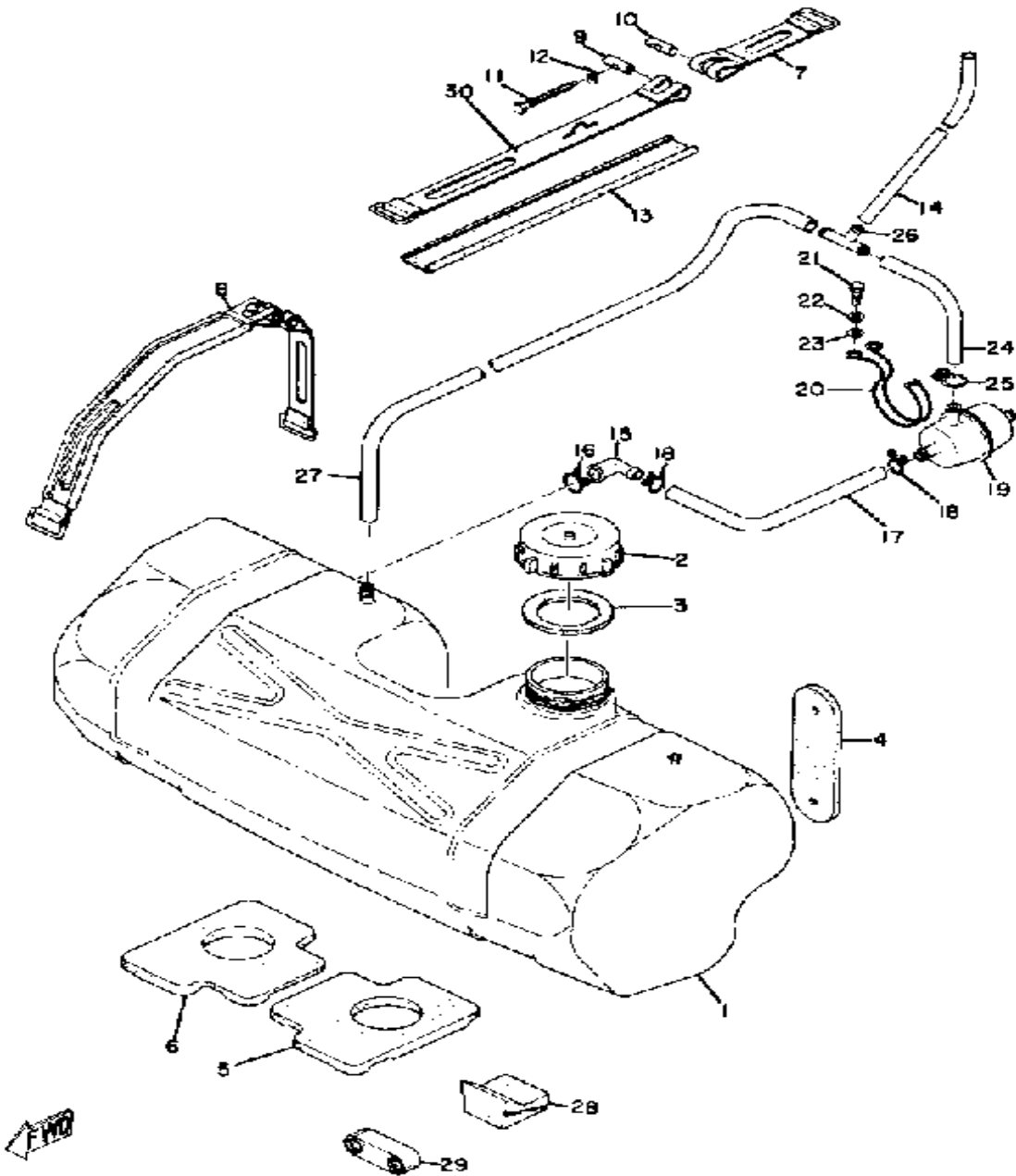
# GRIP & WIRING



Ref. No.	Part Number	Description	Qty	Remarks
1	801-26241-01-00	GRIP .....	2	
2	803-83912-00-38	LEVER 1 .....	1	
3	802-83913-00-00	COLLAR, LEVER 1 .....	1	ISO
4	90157-05006-00	SCREW, PAN HEAD (803-83915-00) .....	1	ISO
5	95311-05700-00	NUT .....	1	ISO
6	(806-26340-00-00)	CABLE, BRAKE .....	1	
7	8G8-42138-00-00	LEVER, THROTTLE .....	1	
	90387-06681-00	COLLAR .....	2	
	98580-06550-00	SCREW PAN HEAD (92503-06050) .....	1	
	99999-01028-00	THROTTLE LEVER .....	1	
8	806-82821-00-00	HOLDER, LEVER 2 .....	1	
9	90387-062M9-00	COLLAR .....	2	
10	98580-06040-00	SCREW, pan head (92501-06040-00) .....	1	
11	95380-06700-00	NUT .....	1	
12	92990-06200-00	WASHER .....	2	
13	(806-26311-01-00)	CABLE, THROTTLE 1 .....	1	

Property of [www.SmallEngineDiscount.com](http://www.SmallEngineDiscount.com) - Not for Resale

# FUEL TANK

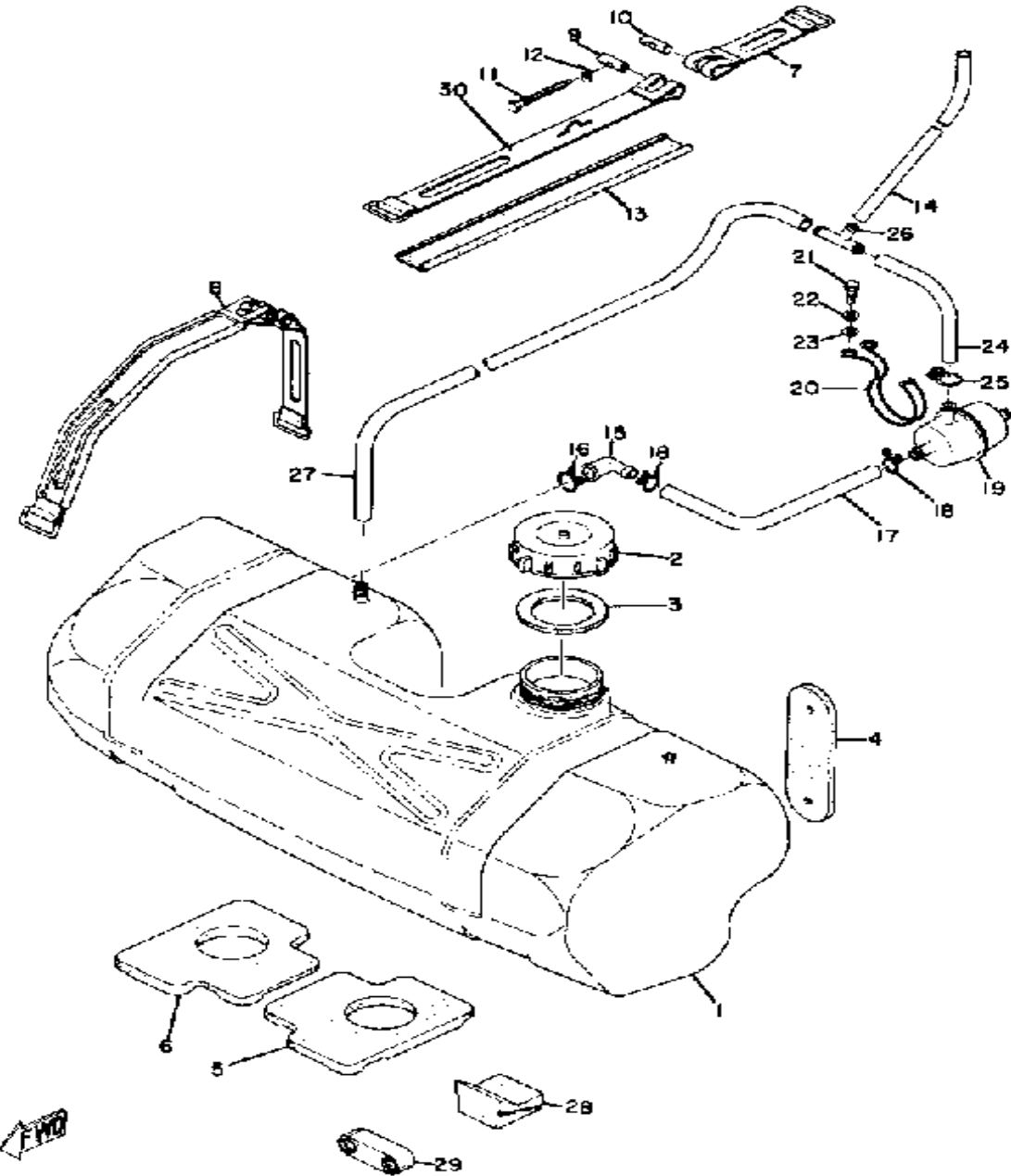


Ref. No.	Part Number	Description	Qty	Remarks
1	806-24111-00-00	FUEL TANK .....	1	
2	(809-24611-00-00)	BODY, CAP .....	1	
3	(806-24612-00-00)	GASKET, CAP .....	1	
4	(806-24141-00-00)	PROTECTOR, FUEL TNK .....	2	
5	(806-24181-00-00)	DAMPER, LOCATING 1 .....	1	
6	(806-24182-00-00)	DAMPER, LOCATING 2 .....	1	
7	806-24173-00-00	BAND, TNK FITTING 1 .....	2	
8	806-24199-00-00	BAND, TNK FITTING 2 .....	1	
9	806-24135-00-00	CLAMP 1 .....	2	
10	90179-05030-00	NUT, SPEC'L SHAPE (806-24146-00) .....	2	
11	(90153-05002-00)	SCREW, HEXAGON .....	2	
12	(90215-05058-00)	WASHER, LOCK .....	2	
13	806-24183-00-00	DAMPER, LOCATING 3 .....	2	
14	(806-24321-00-00)	PIPE 0 .....	1	
15	(806-24335-00-00)	PIPE, SUCTION 1 .....	1	
16	(806-24358-00-00)	CLIP, PIPE 3 .....	1	
17	(806-24311-00-00)	PIPE, FUEL 1 .....	1	
18	90460-11002-00	CLAMP, HOSE .....	2	
19	(806-24560-01-00)	FILTER ASSEMBLY .....	1	
20	(806-24558-00-00)	HOLDER, FILTER .....	1	
21	(97306-05015-00)	BOLT, HEXAGON .....	2	ISO
22	92906-05100-00	WASHER, SPRING .....	2	
23	92906-05200-00	WASHER, PLAIN .....	2	
24	(806-24559-00-00)	BREATHER, FILTER .....	1	
25	90467-09006-00	CLIP .....	1	
26	801-24376-00-00	PIPE, JOINT 1 .....	1	
27	(806-24318-00-00)	PIPE, OVERFLOW .....	1	N/A
28	(806-24184-00-00)	DAMPER, LOCATING 4 .....	2	

CONTINUED ON NEXT FRAME ➤

Property of [www.SmallEngineDiscount.com](http://www.SmallEngineDiscount.com) - Not for Resale

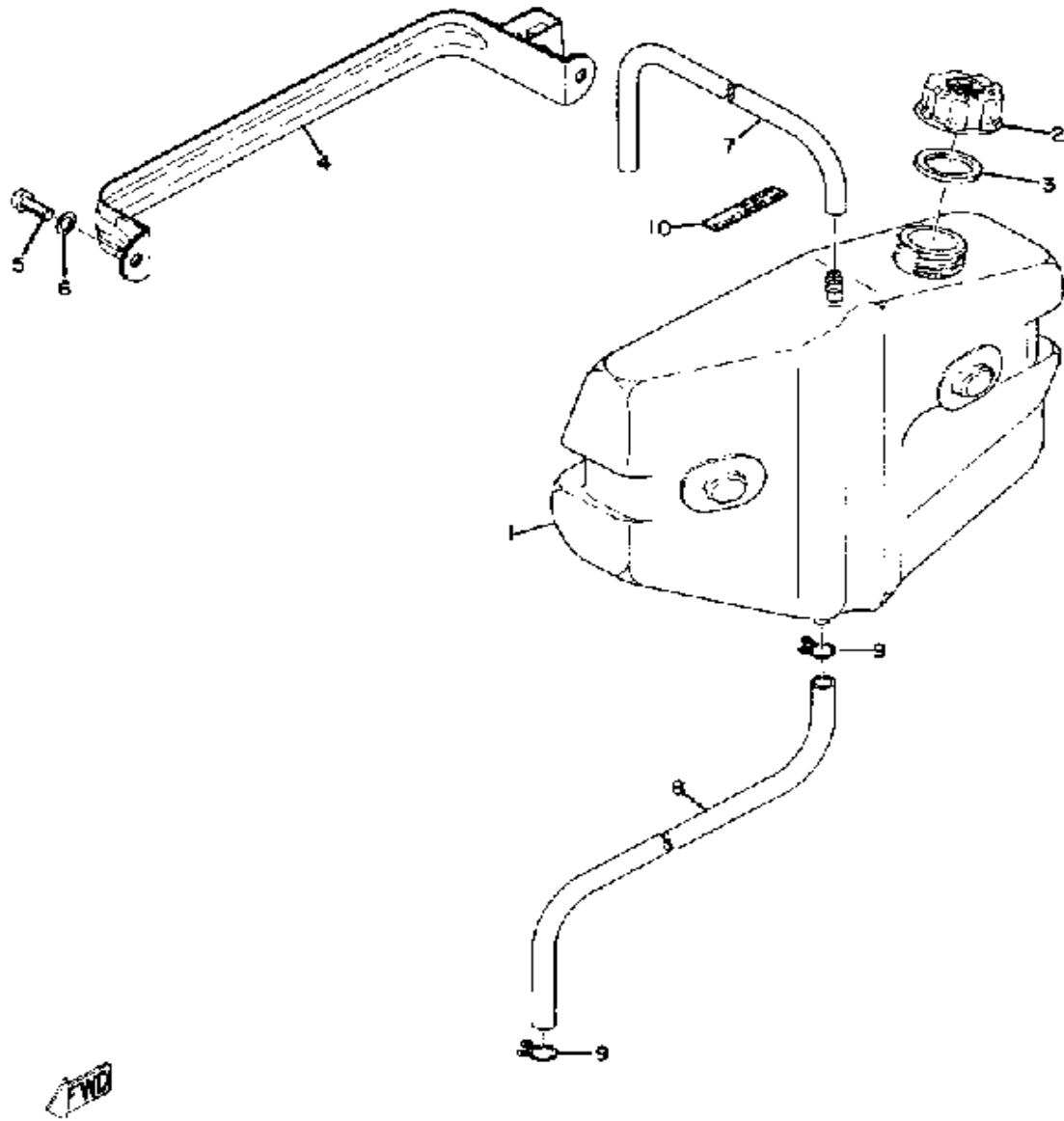
# FUEL TANK



Ref. No.	Part Number	Description	Qty	Remarks
29	(806-24193-00-00)	SEAT, TNK PROTECTOR	2	
30	806-24133-00-00	BAND, TANK FTNG 3	1	

Property of [www.SmallEngineDiscount.com](http://www.SmallEngineDiscount.com) - Not for Resale



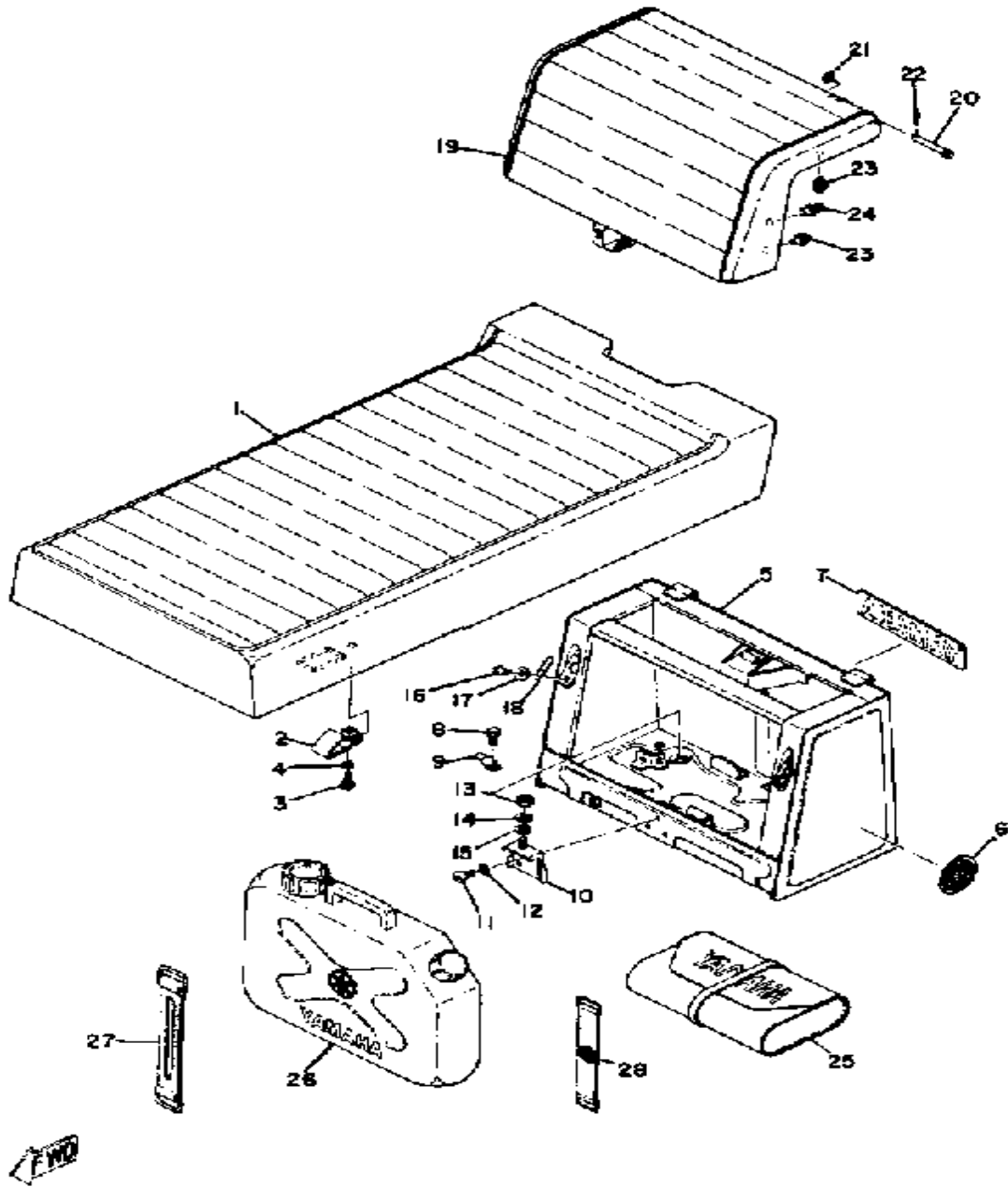


# OIL TANK

Ref. No.	Part Number	Description	Qty	Remarks
1	(806-21751-00-00)	TANK, OIL .....	1	
2	296-21771-62-00	BODY, CAP .....	1	
3	296-21772-00-00	GASKET, CAP .....	1	
4	(806-21776-00-00)	BAND, TANK FITTING .....	1	
5	98503-06014-00	SCREW, PAN HEAD (92502-06016) .....	2	
6	92995-06100-00	WASHER, SPRING .....	2	
7	(806-21745-00-00)	PIPE, OIL TNK BRTHR .....	1	N/A
8	90446-09051-00	HOSE (806-24319-00) .....	1	
9	90460-09001-00	CLAMP, HOSE .....	2	
10	(802-21793-00-00)	ORNAMENT .....	1	N/A

Property of [www.SmallEngineDiscount.com](http://www.SmallEngineDiscount.com) - Not for Resale

# SEAT & LUGGAGE BOX



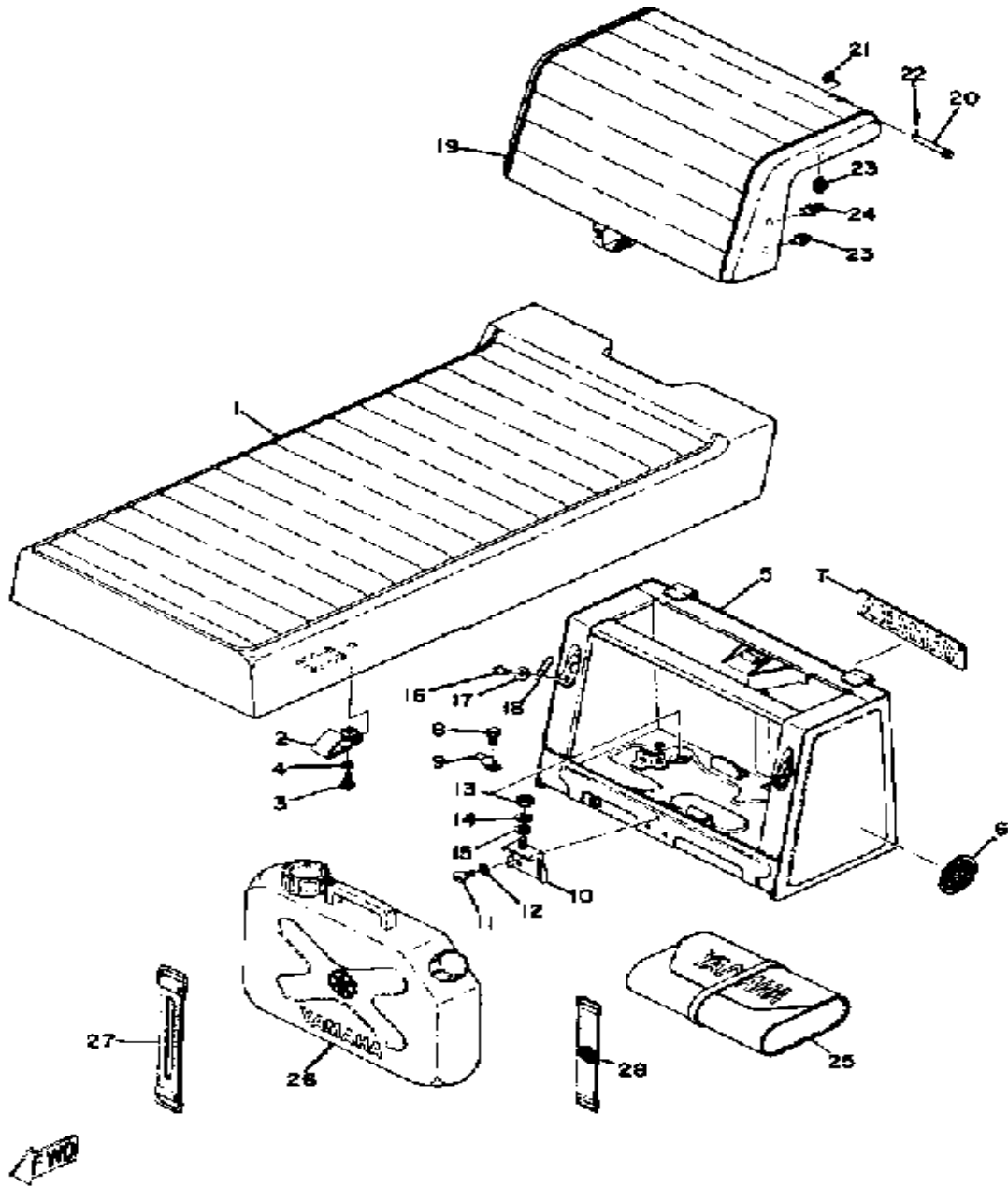
Ref. No.	Part Number	Description	Qty	Remarks
1	(806-24730-00-00)	DOUBLE SEAT ASSEMBLY ...	1	
2	(807-24744-00-00)	PLATE, SEAT FITTING .....	2	
3	98503-06014-00	SCREW, PAN HEAD (92502-06016) .....	2	
4	92995-06100-00	WASHER, SPRING .....	2	
5	(806-77391-00-00)	LUGGAGE BOX .....	1	N/A
6	806-77352-00-00	EMBLEM 2 .....	2	
7	806-77353-00-00	EMBLEM 3 .....	1	
8	97013-06012-00	BOLT .....	4	
9	(806-77396-00-00)	WASHER, LOCK .....	4	
10	(807-24738-00-00)	BRACKET, SEAT .....	1	
11	98580-06012-00	SCREW, PAN HEAD .....	3	
12	92995-06100-00	WASHER, SPRING .....	3	
13	95380-06600-00	NUT .....	1	
14	92990-08100-00	WASHER .....	1	
15	92990-08200-00	WASHER, PLAIN .....	1	
16	98580-04008-00	SCREW, PAN HEAD .....	4	ISO
17	92990-04200-00	WASHER, PLAIN .....	4	
18	(806-24794-01-00)	SPRING, SEAT BACK .....	2	
19	(806-24790-00-00)	SEAT BACK ASSEMBLY .....	1	N/A
20	91701-05055-00	PIN, CLEVIS .....	2	
21	92990-05200-00	WASHER, PLAIN .....	2	
22	91490-16020-00	PIN, COTTER .....	2	
23	(806-24714-00-00)	STOPPER, CUSHION .....	4	
24	(806-24793-01-00)	PIN .....	2	N/A
25	(806-28100-00-00)	TOOL KIT .....	1	
26	(806-24200-00-00)	FUEL TANK ASSEMBLY .....	1	
27	(806-24282-00-00)	BAND, TANK FITTING .....	1	
28	122-82131-00-00	BAND, BATTERY .....	1	

CONTINUED ON NEXT FRAME ►

Property of [www.SmallEngineDiscount.com](http://www.SmallEngineDiscount.com) - Not for Resale

C10

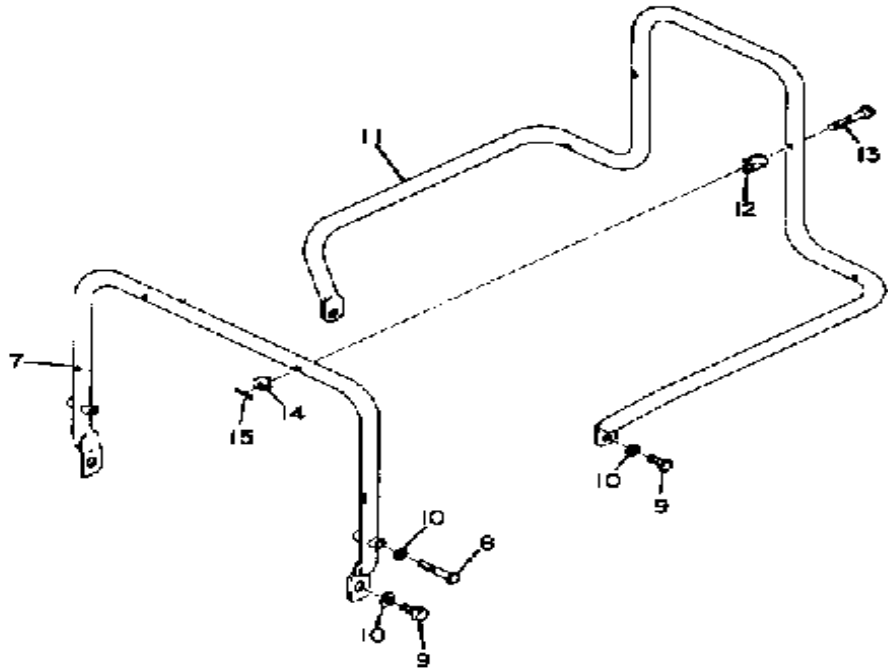
# SEAT & LUGGAGE BOX



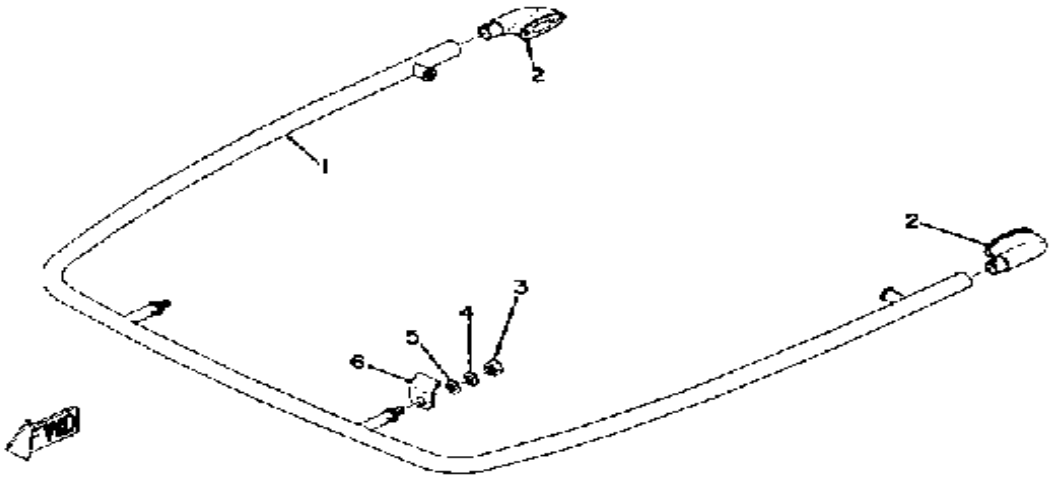
Ref. No.	Part Number	Description	Qty	Remarks
1-1	806-24731-00-00	. COVER, DOUBLE SEAT . . . . .	1	

Property of [www.SmallEngineDiscount.com](http://www.SmallEngineDiscount.com) - Not for Resale

# BUMPER

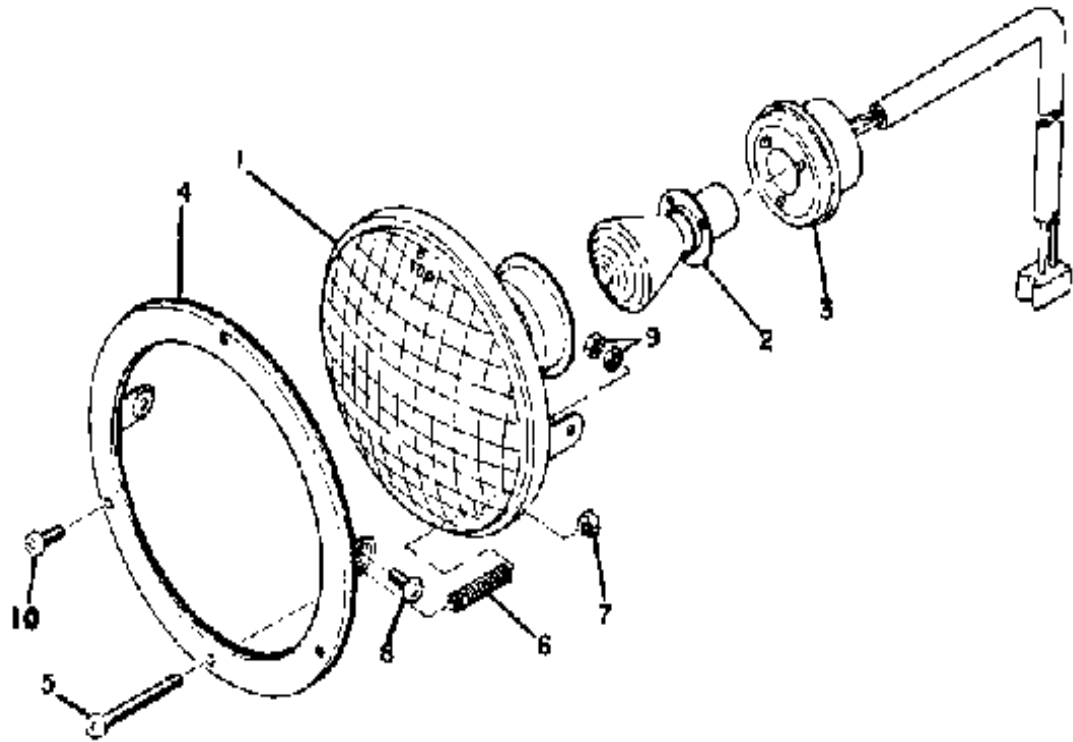


Ref. No.	Part Number	Description	Qty	Remarks
1	821-77510-00-00	FRONT BUMPER (806-77510-00)	1	
2	(806-77523-00-00)	END, BUMPER	2	ISO
3	95333-08600-00	. NUT	2	ISO
4	92990-08100-00	WASHER	2	
5	92990-08200-00	WASHER, PLAIN	2	
6	(806-24191-00-00)	BRACKET, FUEL TNK 1	2	
7	(806-77541-00-00)	BUMPER, REAR 1	1	N/A
8	97313-08045-00	BOLT	2	ISO
9	97313-08018-00	BOLT, HEXAGON (97301-08016)	4	ISO
10	92990-08100-00	WASHER	6	
11	(806-77571-00-00)	GRIP, ASSIST 1	1	
12	(806-77515-00-00)	BUSH, RUBBER 1	4	
13	(90149-06052-00)	SCREW, SPEC'L SHAPE	4	
14	806-77573-00-00	NUT, SPECIAL	4	
15	91490-16020-00	. PIN, COTTER	4	



Property of [www.SmallEngineDiscount.com](http://www.SmallEngineDiscount.com) - Not for Resale

# HEAD LAMP

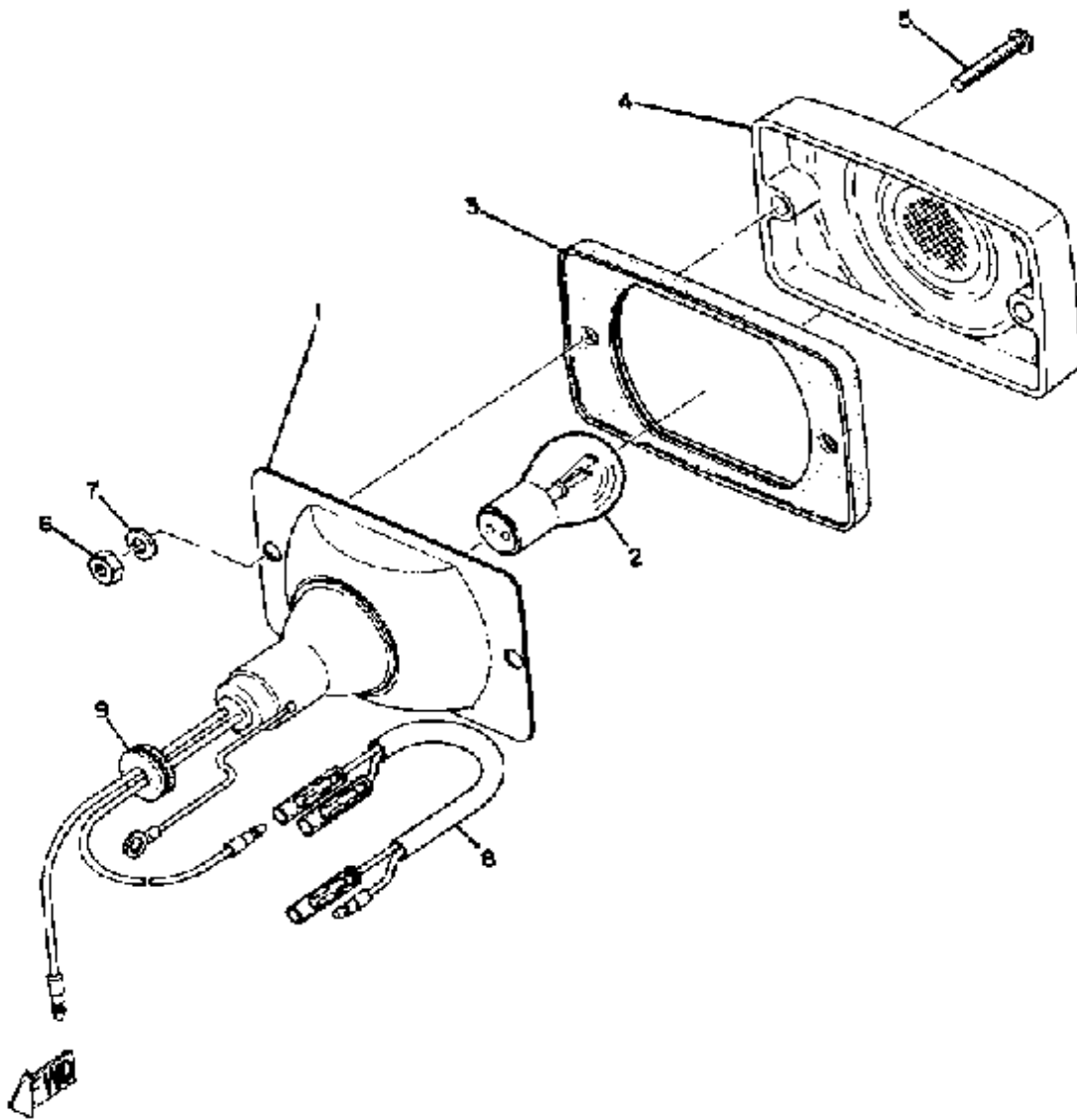


Ref. No.	Part Number	Description	Qty	Remarks
1	(806-84320-00-00)	LENS ASSEMBLY .....	1	
2	183-84314-60-00	. BULB, H.L.12V35/35W .....	1	
3	(806-84312-00-00)	SOCKET .....	1	
4	806-84315-00-00	. RIM, HEADLIGHT .....	1	
5	1M1-84524-60-00	. SCREW, LENS FITTING .....	1	ISO
6	(207-84132-60-00)	SPRING, SCREW .....	1	
7	(207-84134-61-00)	NUT, ADJUST .....	1	ISO
8	98580-04010-00	. SCREW, PAN HEAD .....	2	ISO
9	95301-04700-00	. NUT (95302-04700) .....	4	ISO
10	98511-04012-00	SCREW, PAN HEAD .....	3	ISO
-1	806-84310-00-00	HEADLIGHT UNIT ASSEMBLY .	1	ISO



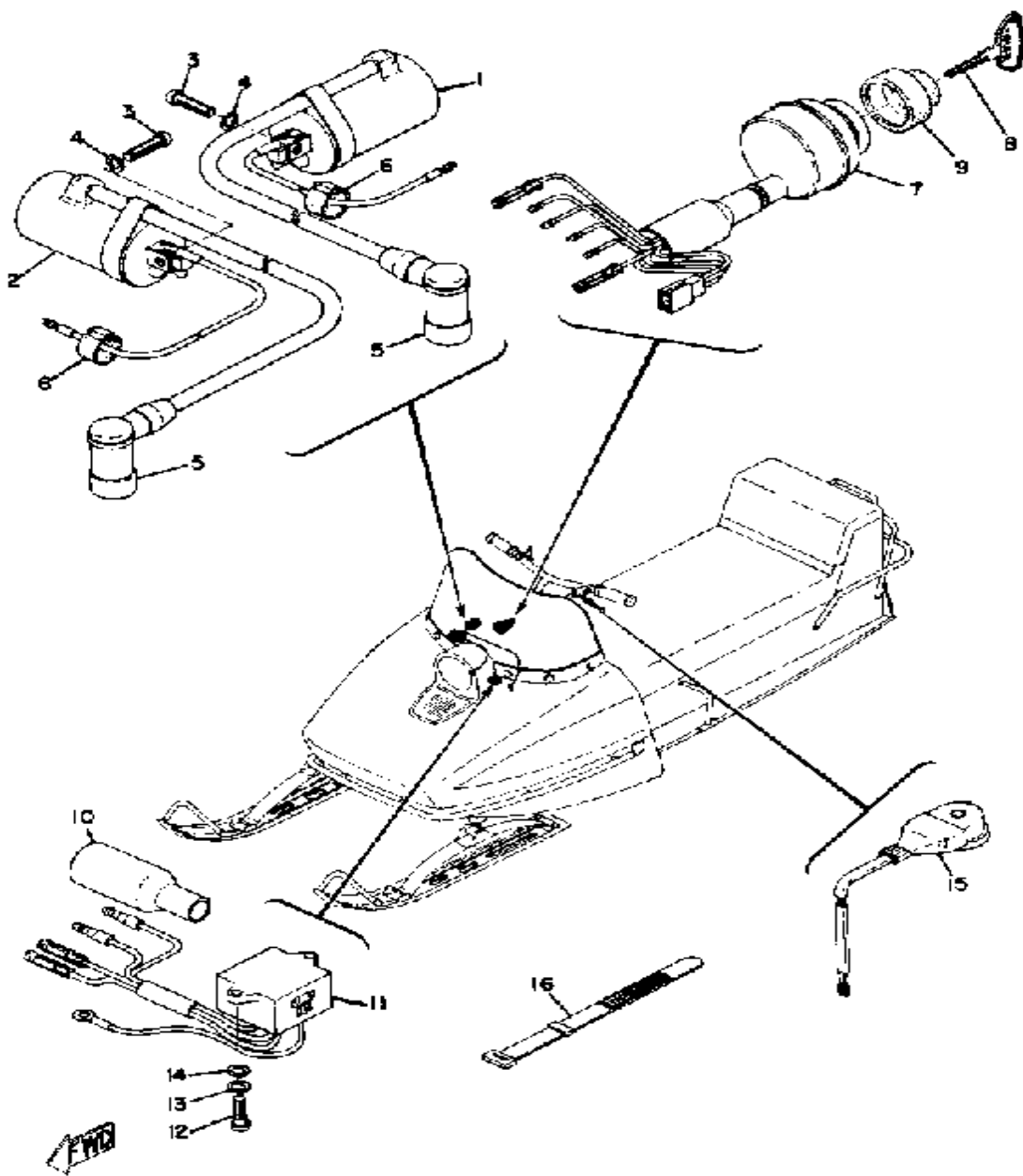
Property of [www.SmallEngineDiscount.com](http://www.SmallEngineDiscount.com) - Not for Resale

# TAIL LAMP



Ref. No.	Part Number	Description	Qty	Remarks
1	806-84711-00-00	. BASE, TAILLIGHT .....	1	
2	137-84714-61-00	. BULB, TL 12V23/8W (J50-83311-00) .....	1	
	35R-83311-00-00	. BULB .....	1	
3	806-84712-00-00	. SEAT, BASE .....	1	
4	(806-84721-00-00)	LENS, TAILLIGHT .....	1	
5	806-84724-00-00	. SCREW, LENS FITTING .....	2	ISO
6	95301-04600-00	NUT .....	2	ISO
7	92901-04100-00	WASHER, SPRING .....	2	
8	(806-84717-00-00)	CORD, TAILLIGHT .....	1	
9	90480-12013-00	GROMMET .....	1	
-1	(806-84710-01-00)	TAILLIGHT UNIT ASSEMBLY ..	1	ISO

Property of [www.SmallEngineDiscount.com](http://www.SmallEngineDiscount.com) - Not for Resale



# ELECTRICAL

Ref. No.	Part Number	Description	Qty	Remarks
1	206-82310-41-00	IGNITION COIL ASSEMBLY ...	1	
2	206-82310-41-00	IGNITION COIL ASSEMBLY ...	1	
3	98506-05020-00	SCREW, PAN HEAD .....	4	
4	92906-05100-00	WASHER, SPRING .....	4	
5	56J-82370-00-00	PLUG CAP ASSEMBLY .....	2	
6	437-83936-01-00	BAND, SWITCH CORD .....	2	
7	(806-82510-21-00)	MAIN SWITCH ASSEMBLY ...	1	
8	UNA-VAILA-BL-EI	0 0 .....		
9	806-82516-00-00	COLLAR, MAIN SWITCH .....	1	
10	(806-82599-00-00)	COVER, CONNECTER .....	1	N/A
11	806-82390-20-00	SILICOM STACK ASSEMBLY .	1	
12	(98506-04015-00)	SCREW, PAN HEAD .....	2	ISO
13	92906-04100-00	WASHER, SPRING .....	2	
14	92906-04200-00	WASHER, PLAIN .....	1	
15	(806-82530-00-00)	STOP SWITCH ASSEMBLY ...	1	
16	437-83936-11-00	BAND, SWITCH CORD .....	3	

Property of [www.SmallEngineDiscount.com](http://www.SmallEngineDiscount.com) - Not for Resale