



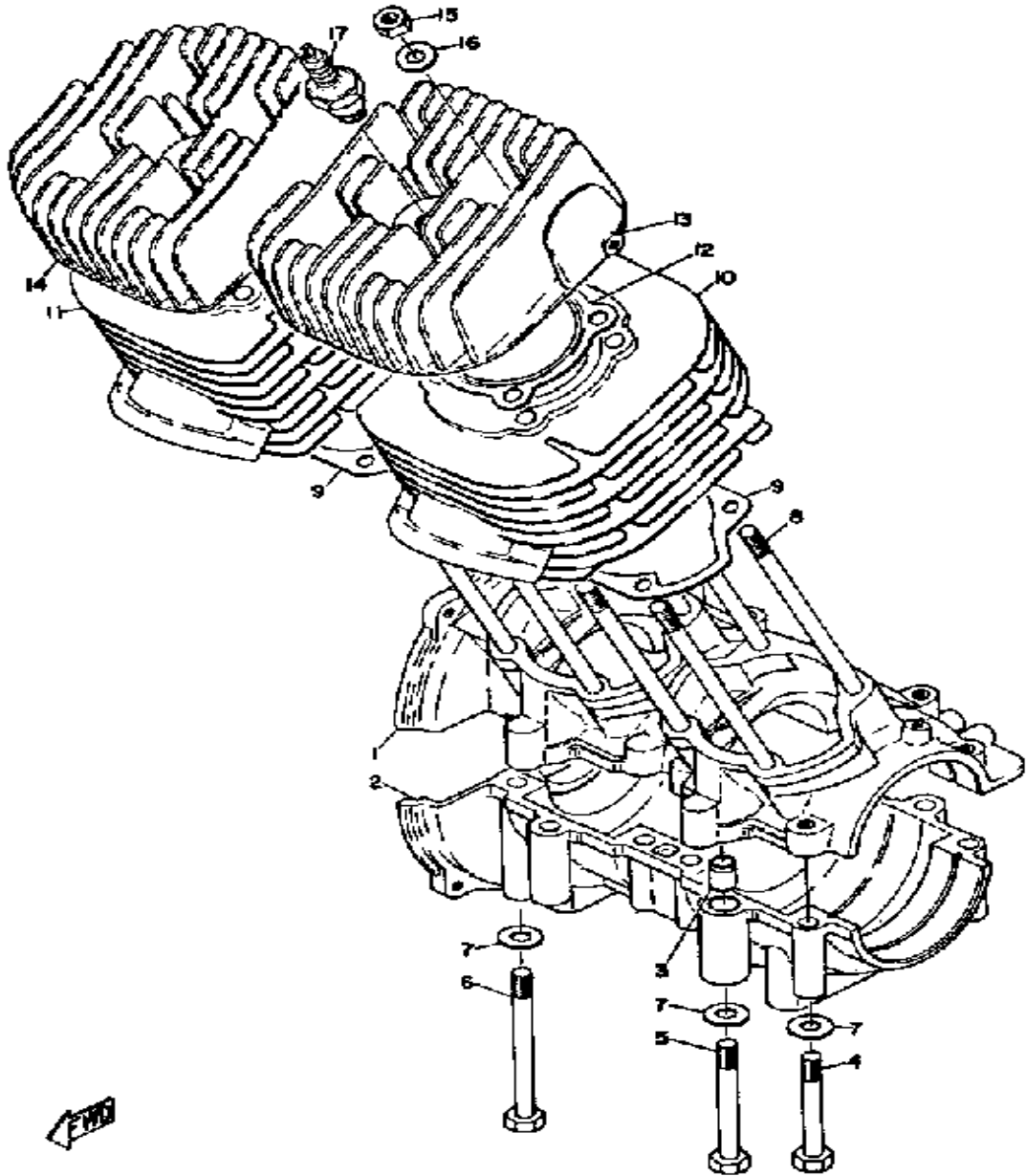
**YAMAHA**

**GENUINE**

**PARTS CATALOGUE**

**SNOWMOBILE**

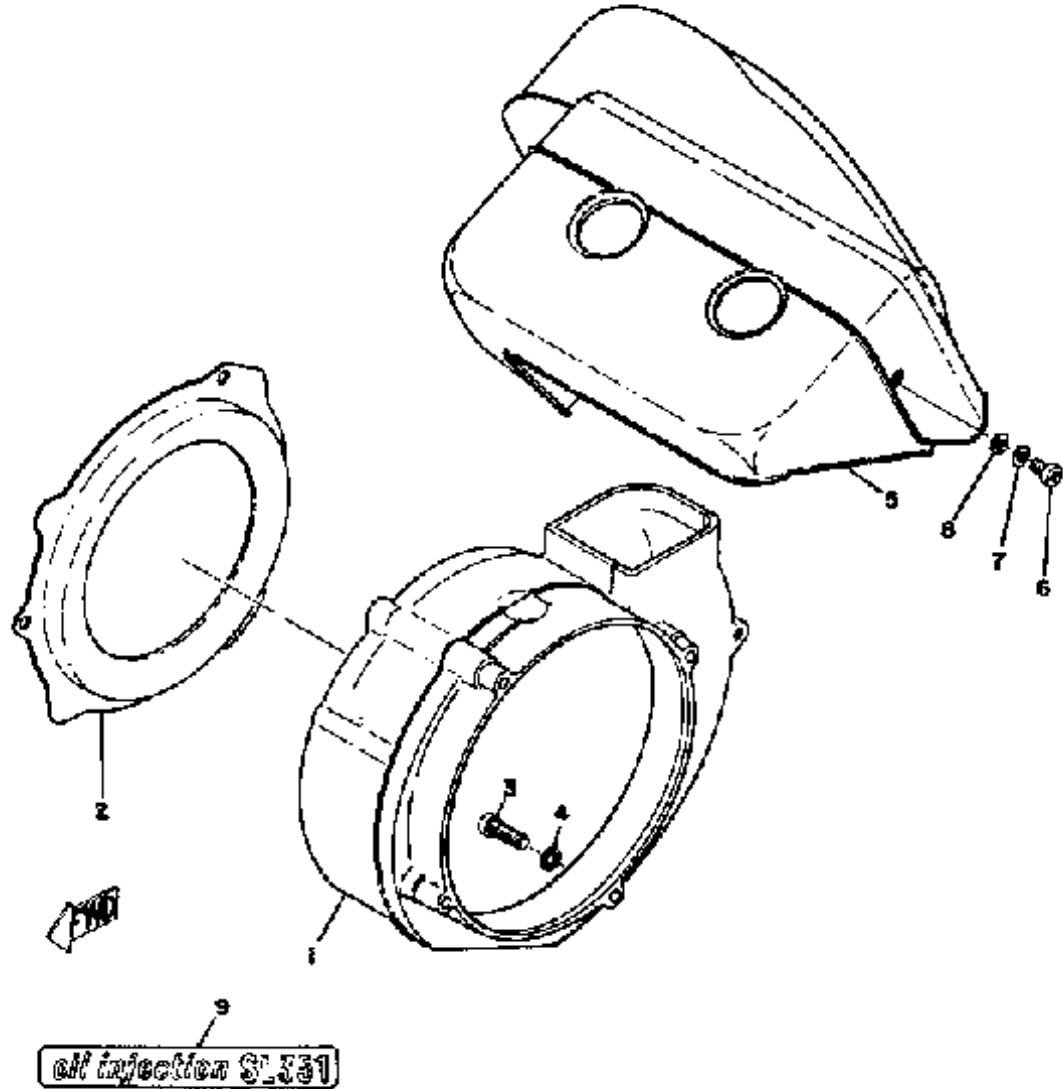
# CRANKCASE



Ref. No.	Part Number	Description	Qty	Remarks
1	UNA-VAILA-BL-EI	0 0 .....		
2	UNA-VAILA-BL-EI	0 0 .....		
3	99510-12016-00	PIN, DOWEL .....	2	
4	97013-08060-00	BOLT (663) .....	8	
5	97021-08070-00	BOLT .....	2	
6	97313-08085-00	BOLT, HEXAGON .....	2	
7	92990-08200-00	WASHER, PLAIN .....	12	
8	90116-08079-00	BOLT, STUD .....	8	
9	168-11351-00-00	GASKET, CYLINDER .....	2	
10	(802-11311-00-00)	CYLINDER 1 .....	1	
11	(802-11321-00-00)	CYLINDER 2 .....	1	
12	(168-11181-01-00)	GASKET, CYLINDER HEAD 1 .	2	
13	(802-11111-00-00)	HEAD, CYLINDER 1 .....	1	
14	(802-11121-00-00)	HEAD, CYLINDER 2 .....	1	
15	95333-08600-00	NUT .....	8	
16	92990-08200-00	WASHER, PLAIN .....	8	
17	NGK-B7HS0-00-00	PLUG, SPARK (NGK B7HS) ...	2	
-1	UNA-VAILA-BL-EI	0 0 .....		

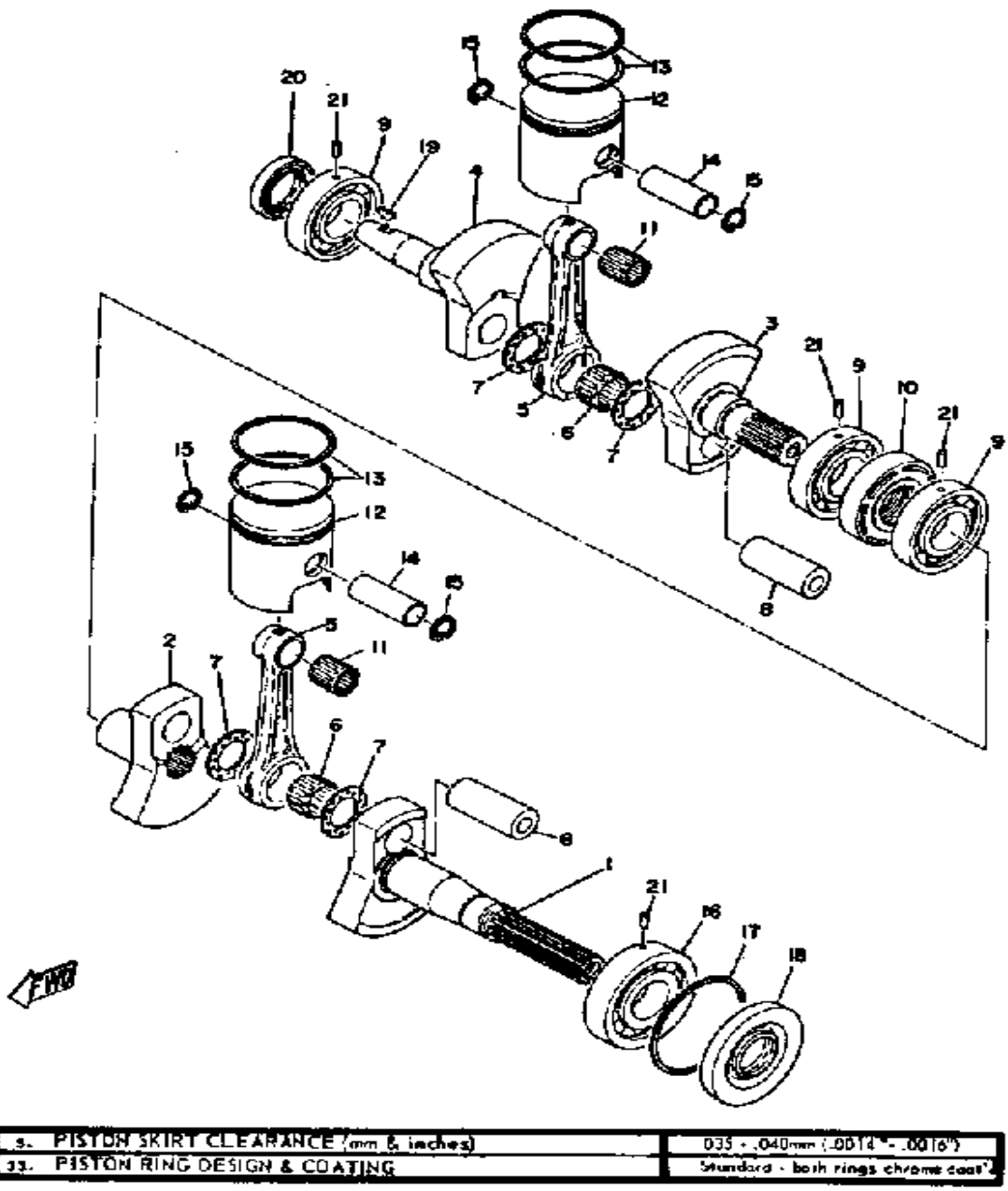
2. BORE & STROKE	61 x 59.6mm (x 2)
3. CAPACITY	348cc (21 cu. in.)
4. COMPRESSION RATIO	7.2:1

# FAN CASE & AIR SHROUD



Ref. No.	Part Number	Description	Qty	Remarks
1	(802-12621-00-00)	CASE, FAN .....	1	
2	UNA-VAILA-BL-EI	0 0 .....		
3	98511-06025-00	SCREW PAN HEAD (92501-06025) .....	4	
4	92995-06100-00	WASHER, SPRING .....	4	
5	UNA-VAILA-BL-EI	0 0 .....		
6	98580-06012-00	SCREW, PAN HEAD .....	4	
7	92995-06100-00	WASHER, SPRING .....	4	
8	92990-06200-00	WASHER .....	4	
9	(802-77351-00-00)	EMBLEM 1 .....	1	

# CRANK & PISTON

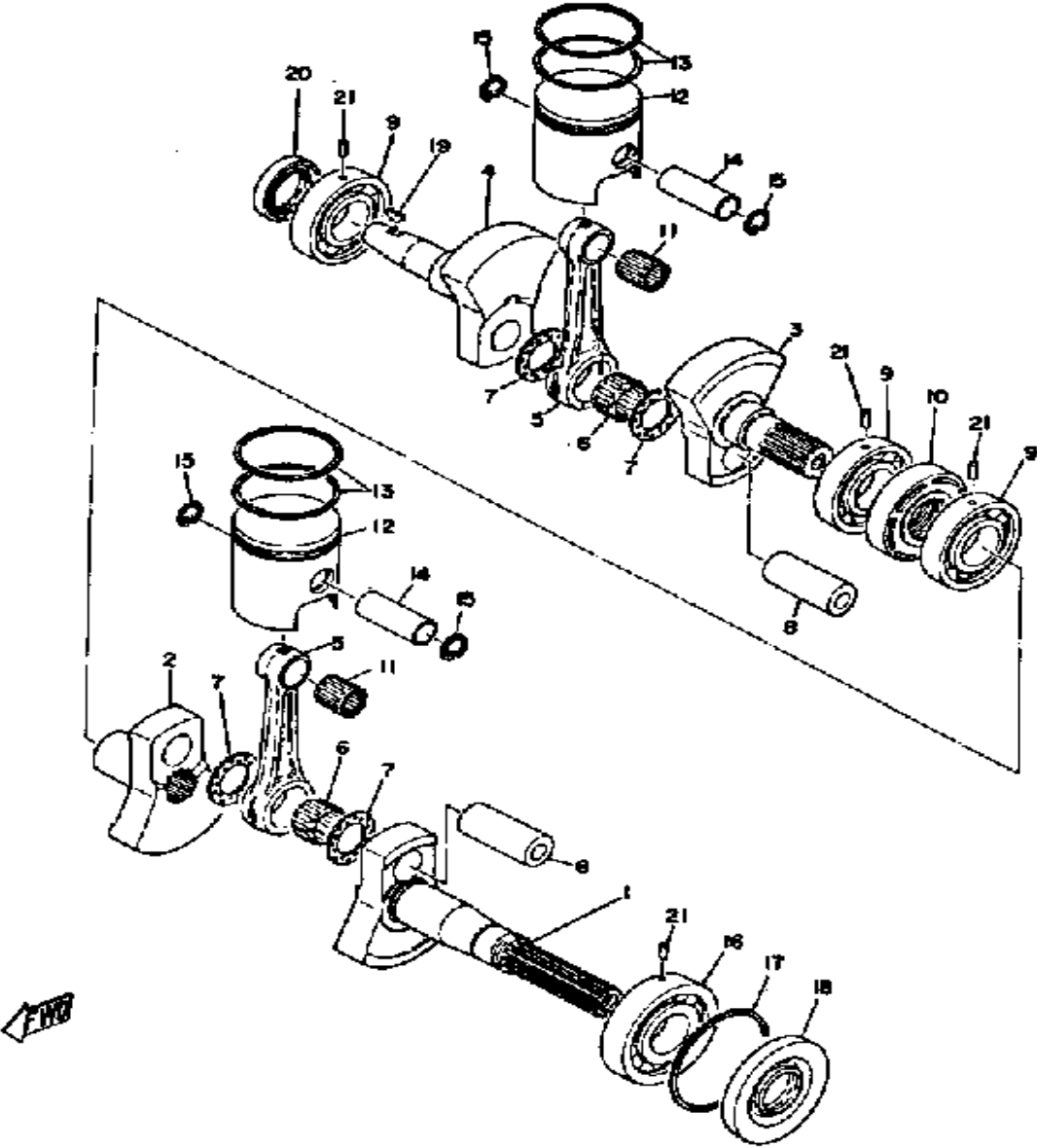


Ref. No.	Part Number	Description	Qty	Remarks
1	(802-11412-00-00)	CRANK 1 .....	1	
2	(802-11422-00-00)	CRANK 2 .....	1	
3	(802-11432-00-00)	CRANK 3 .....	1	
4	(802-11442-00-00)	CRANK 4 .....	1	
5	8A7-11651-00-00	. ROD, CONNECTING (838-11651-00) .....	2	
6	(93310-52430-00)	BEARING, CYLINDER.# 0 ....	2	
7	90209-24073-00	. WASHER .....	4	
8	168-11681-00-00	. PIN, CRANK 1 .....	2	
9	93306-20633-00	. BEARING .....	3	
10	(168-11515-00-00)	SEAL, LABYRINTH 1 .....	1	
11	93310-218A6-00	BEARING .....	2	
12	(235-11635-00-00)	PISTON 1 O/S 0.5 .....	2	USE KEYSTONE RINGS
	(235-11636-00-00)	PISTON 2 O/S 0.0 .....	2	USE KEYSTONE RINGS
	235-11631-00-96	PISTON STD .....	2	USE KEYSTONE RINGS
13	(168-11601-10-00)	PISTON RINGSET 1ST .....	2	REGULAR TYPE
	(168-11601-20-00)	PISTON RINGSET 2ND .....	2	REGULAR TYPE
	(235-11601-10-00)	RING SET 1ST KS .....	2	KEYSTONE TYPE
	(235-11601-20-00)	RING SET 2ND KS .....	2	KEYSTONE TYPE
	168-11601-00-00	PISTON RINGSET STD .....	2	REGULAR TYPE
	235-11601-00-00	RING SET STD KS .....	2	KEYSTONE TYPE
14	168-11633-00-00	PIN, PISTON .....	2	
15	93450-20026-00	CIRCLIP .....	4	
16	93306-30604-00	BEARING .....	1	
17	93440-78011-00	CIRCLIP, OUTER .....	1	
18	93103-30053-00	OIL SEAL, SW-TYPE .....	1	
19	90280-04008-00	KEY, WOODRUFF .....	1	

CONTINUED ON NEXT FRAME ➤

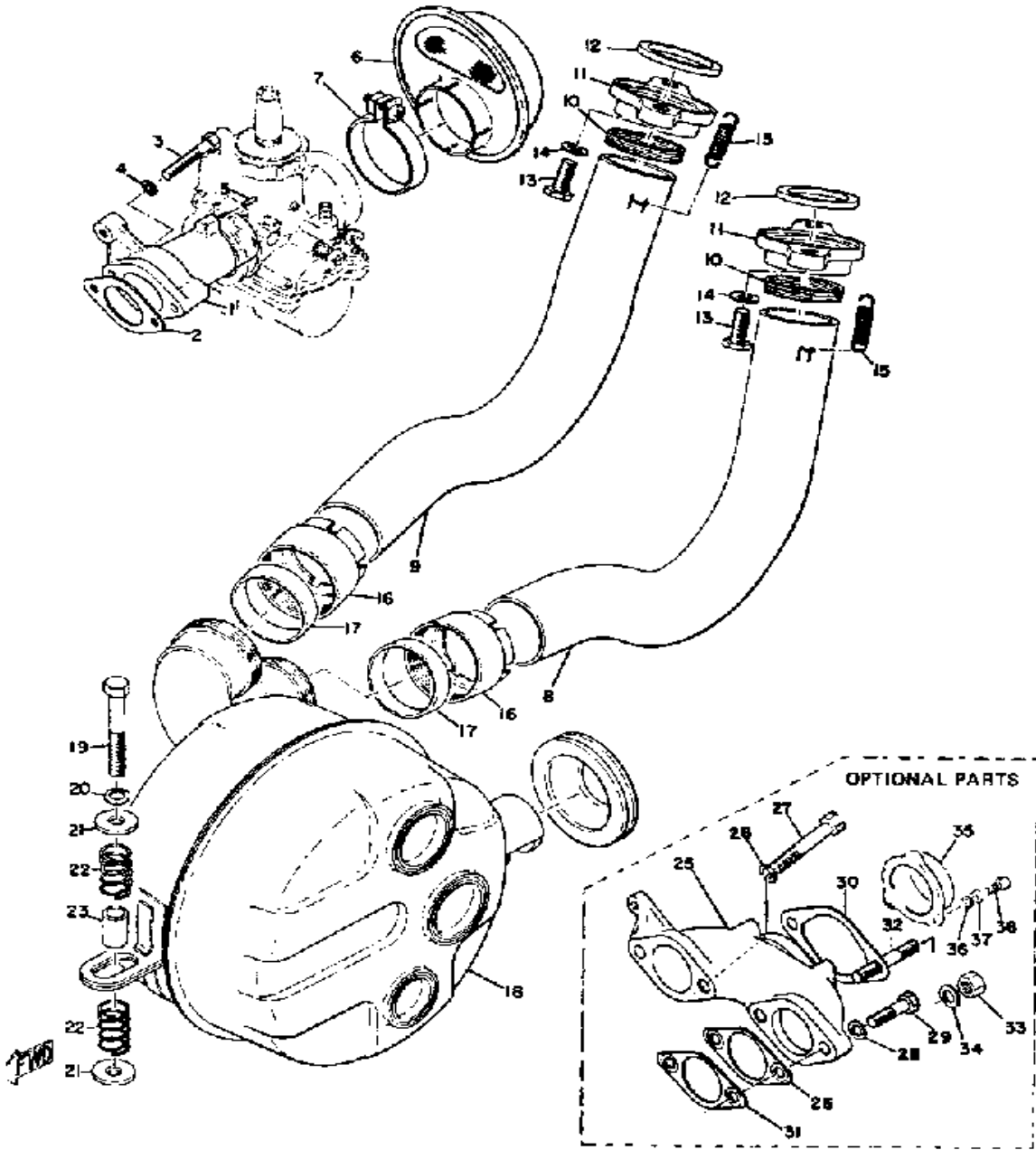
# CRANK & PISTON

Ref. No.	Part Number	Description	Qty	Remarks
20	93103-32156-00	OIL SEAL .....	1	
21	93604-12037-00	PIN, DOWEL .....	4	
-1	(802-11400-00-00)	CRANKSHAFT ASSEMBLY ...	1	



5. PISTON SKIRT CLEARANCE (mm & inches)	0.35 + .040mm (.014" - .016")
33. PISTON RING DESIGN & COATING	Standard - both rings chrome coat

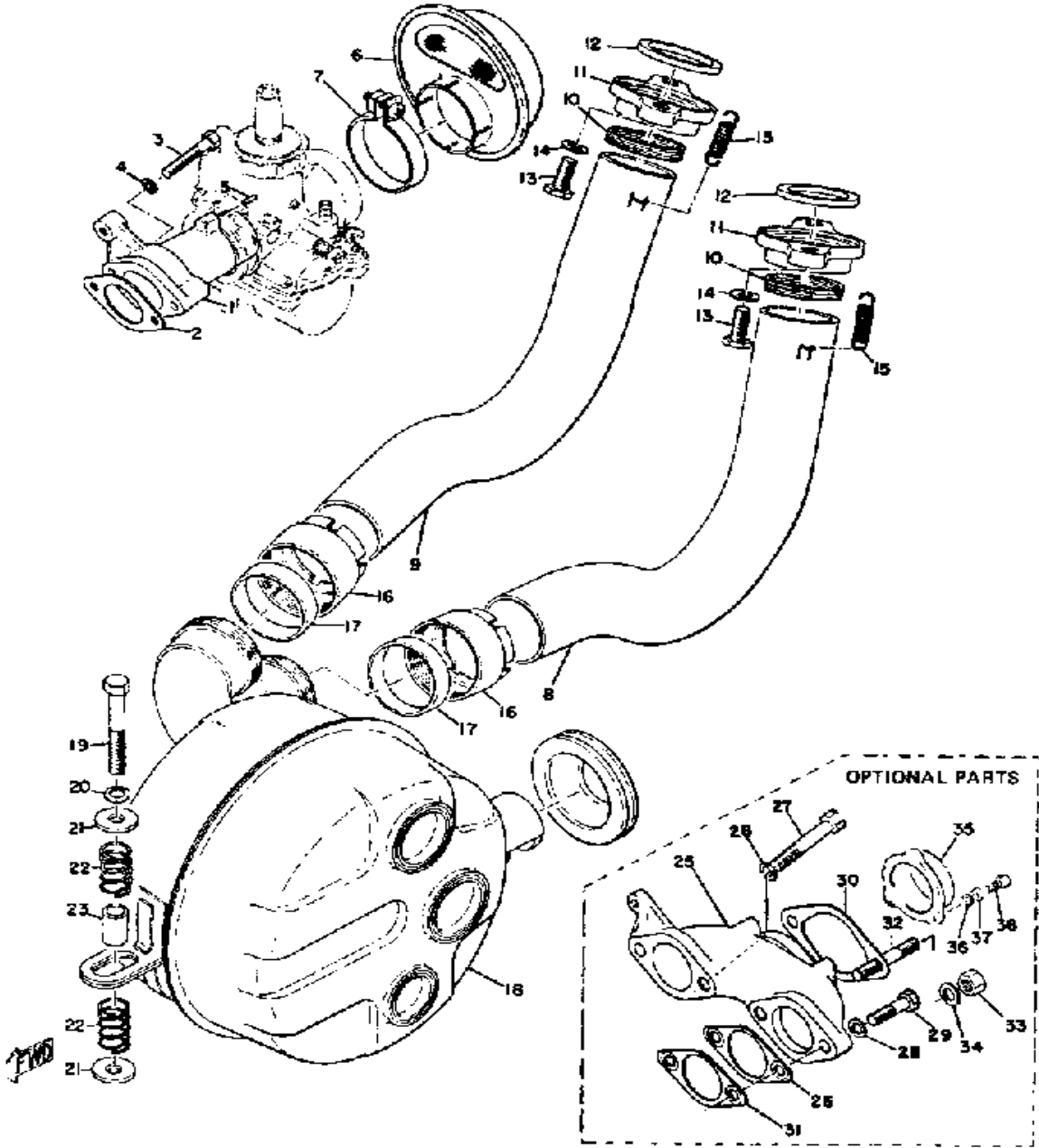
# INLET & EXHAUST



Ref. No.	Part Number	Description	Qty	Remarks
1	(801-13555-00-00)	MANIFOLD, INTAKE	2	
2	(802-13556-00-00)	GASKET, MANIFOLD	2	
3	97013-06035-00	BOLT	4	
4	92995-06100-00	WASHER, SPRING	4	
5	93602-10061-00	PIN, DOWEL	2	
6	(802-14441-00-00)	SILENCER, INTAKE 2	2	
7	90460-45032-00	CLAMP, HOSE	2	
8	UNA-VAILA-BL-EI	0 0		
9	(802-14621-00-00)	PIPE, EXHAUST R	1	
10	(802-14623-00-00)	GASKET, EXST PIPE	2	
11	UNA-VAILA-BL-EI	0 0		
12	(802-14613-00-00)	GASKET, EXST PIPE	2	
13	97313-08030-00	BOLT, HEXAGON	4	
14	92990-08100-00	WASHER	4	
15	90506-12028-00	SPRING, TENSION	4	
16	(168-14713-00-00)	NUT, MUFFLER JOINT	2	
17	90430-42088-00	GASKET (168-14714-00)	2	
18	(802-14710-00-00)	MUFFLER ASSEMBLY L	1	
19	97013-08060-00	BOLT (663)	2	
20	92990-08100-00	WASHER	2	
21	90201-08107-00	WASHER, PLATE	3	
22	90501-26149-00	SPRING, COMPRESSION (802-14773-00)	4	
23	90387-09071-00	COLLAR (802-14638-00)	2	
24	UNA-VAILA-BL-EI	0 0		
25	(802-13555-60-00)	MANIFOLD, INTAKE	1	
26	(802-13557-00-00)	GASKET	2	
27	(97321-06085-00)	BOLT, HEXAGON	2	
28	92995-06100-00	WASHER, SPRING	4	

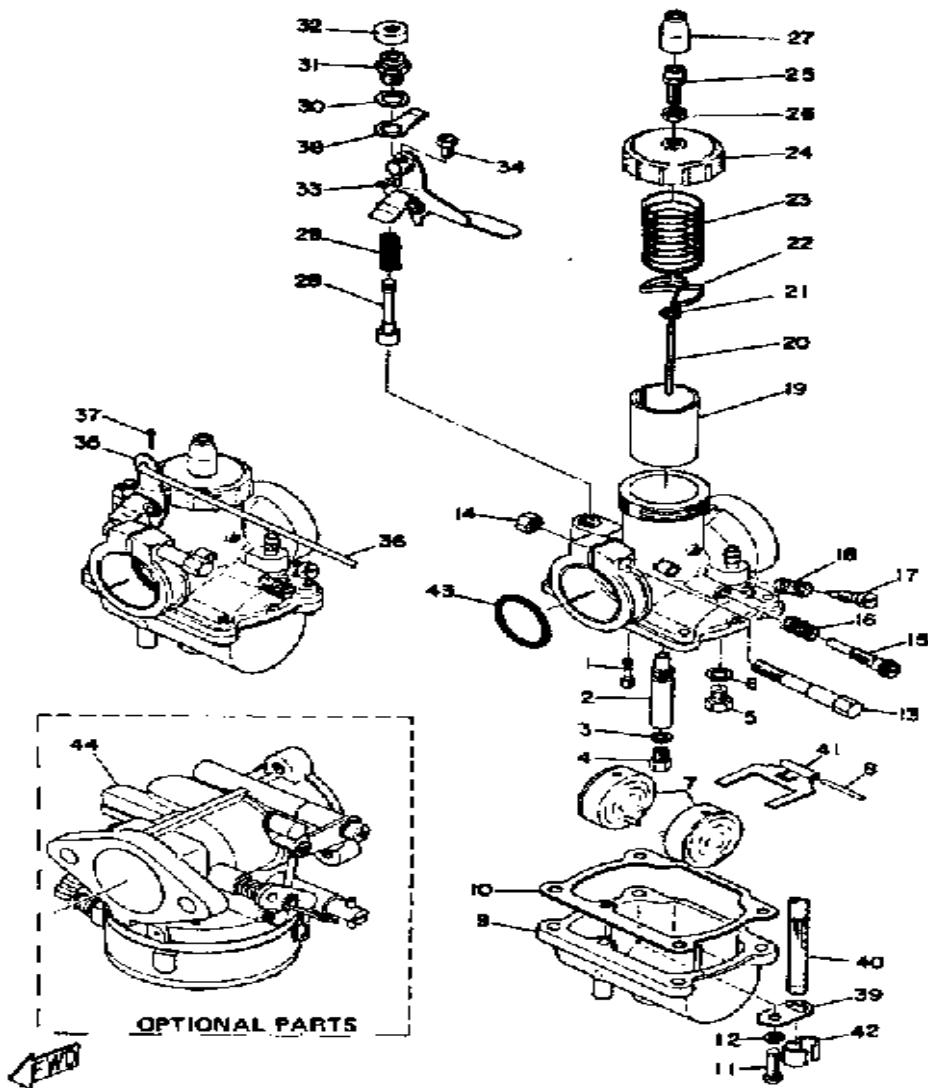
CONTINUED ON NEXT FRAME ►

# INLET & EXHAUST



Ref. No.	Part Number	Description	Qty	Remarks
29	97013-06035-00	BOLT .....	2	
30	807-13556-00-00	GASKET, MANIFOLD .....	1	
31	(802-13556-00-00)	GASKET, MANIFOLD .....	1	FOR SINGLE CARBURETOR
32	90116-08150-00	BOLT, STUD .....	2	
33	95303-08700-00	NUT .....	2	
34	92990-08100-00	WASHER .....	2	
35	UNA-VAILA-BL-EI	0 0 .....		
36	92995-06100-00	WASHER, SPRING .....	3	
37	92990-06200-00	WASHER .....	3	
38	98503-06014-00	SCREW, PAN HEAD (92502-06016) .....	3	

# CARBURETOR



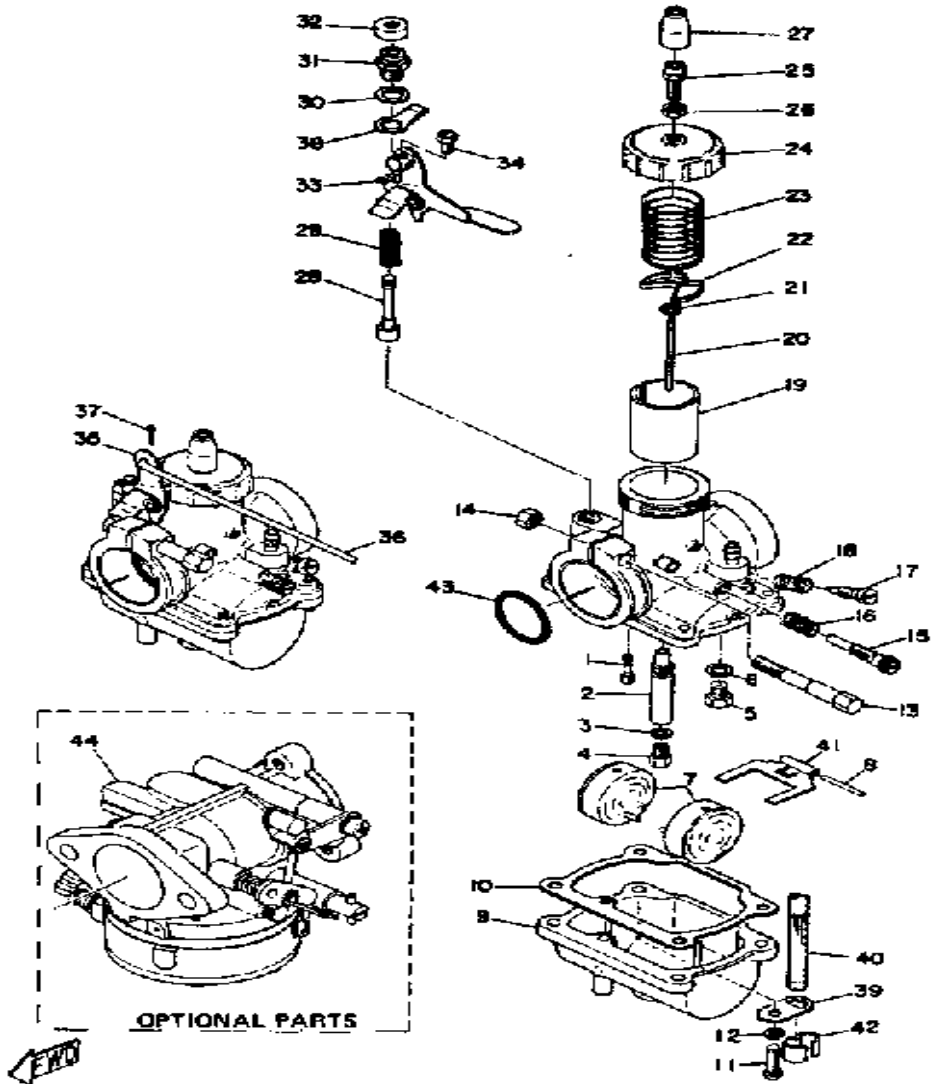
s. CARBURETOR TYPE (& quantity)	
Manufacturer & Venturi size	Independent float type (x 2)
Model Number	Mikun: 26mm
Main Jet	VM26SC (EARLY NO MARK) (LATE: 'E1' & 'E2')
Pilot Jet	Early = 200; Late = 220 or 230
Needle Jet	Early & late = 40
Jet Needle (& clip position)	Early & late = P6
Cutaway	Early & late = AD3-3
Idle Air Screw (turns out)	Early & late = 2.0
Float Level	Early = 1 1/4; late = 2
Slow Speed Screw - Diaphragm Carb. (turns out)	Early = 9.5mm; late = 7mm
High Speed Screw - Diaphragm Carb. (turns out)	?
Engine Idle Speed	?
Fuel Valve (fuel inlet seat)	1,500 rpm minimum
	1.2

Ref. No.	Part Number	Description	Qty	Remarks
1	193-14142-40-A1	. JET, PILOT (# 40)	2	
2	(802-14141-46-00)	NOZZLE, MAIN	2	
3	137-14153-00-00	. WASHER, MAIN JET	2	
4	137-14143-36-A1	. JET, MAIN #1 0	2	U.R.
	137-14143-38-A0	. JET, MAIN #1 0	2	U.R.
	137-14143-40-A1	. JET, MAIN #2 0	2	U.R. STD
	137-14143-42-A1	. JET, MAIN #2 0	2	U.R.
	137-14143-44-A1	. JET, MAIN #2 0	2	U.R.
5	(168-14190-12-00)	NEEDLE VALVE ASSEMBLY	2	
6	214-14195-00-00	. WASHER, NEEDLE VALVE	2	
7	214-14185-00-00	. FLOAT	4	
8	127-14186-00-00	. PIN, FLOAT	2	
9	UNA-VAILA-BL-EI	0 0		
10	156-14184-00-00	. GASKET, FLOAT CHMBR	2	
11	98503-04014-00	. SCREW, PAN HEAD	8	
12	92901-04100-00	. WASHER, SPRING	8	
13	UNA-VAILA-BL-EI	0 0		
14	95380-06600-00	. NUT	2	
15	24X-14103-00-00	. THROTTLE SCREW SET	2	
16	137-14133-00-00	. SPRING, THRTL STOP	2	
17	127-W1412-00-00	. SCREW, AIR ADJUSTING.SET	2	
18	127-14134-00-00	. SPRING, AIR ADJUSTING	2	
19	204-14112-20-00	. VALVE, THROTTLE 1	1	
20	156-14116-03-00	. NEEDLE	2	
21	137-14137-00-00	. CLIP	2	
22	246-14132-00-00	. STOPPER, CABLE	2	
23	204-14131-00-00	. SPRING, THRTL VALVE	2	
24	802-14158-00-00	. TOP, MIXING CHAMBER	2	
25	12G-14106-00-00	. CABLE ADJUST SCREW SET	2	

CONTINUED ON NEXT FRAME ➤



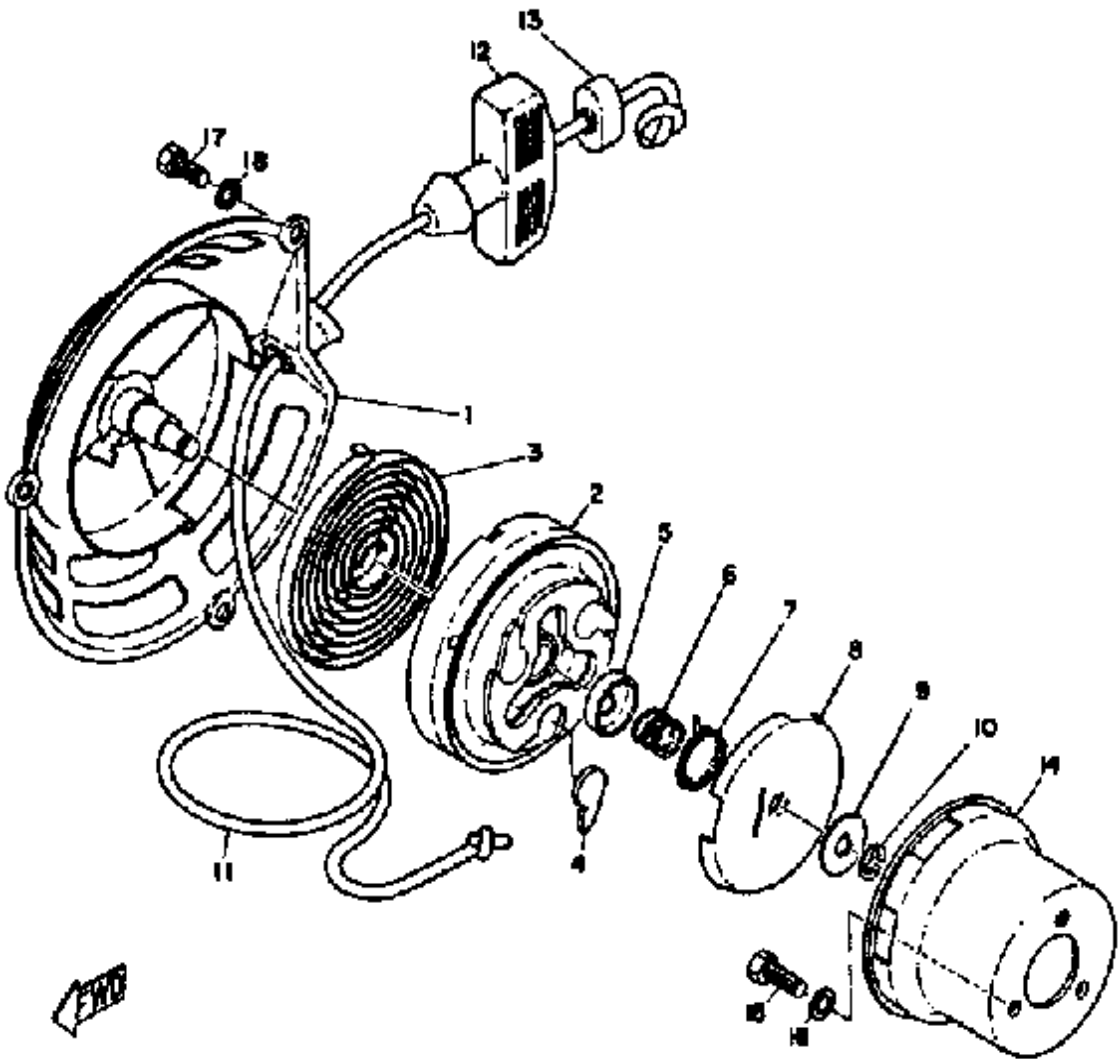
# CARBURETOR



Ref. No.	Part Number	Description	Qty	Remarks
26	802-14161-00-00	. NUT, CABLE ADJUSTING	2	
27	802-14169-00-00	. CAP	2	
28	132-14171-00-00	. PLUNGER, STARTER	2	
29	156-14135-00-00	. SPRING, PLUNGER	2	
30	(132-14179-00-00)	WASHER, STARTER LVR	2	
31	802-14174-00-00	. CAP, PLUNGER	2	
32	802-14173-00-00	. COVER, PLUNGER CAP	2	
33	(802-14175-00-00)	LEVER, STARTER 1	1	
34	(193-14486-00-00)	SCREW, ROD	1	
35	(170-14176-00-00)	LEVER, STARTER 2	1	
36	(170-14177-00-00)	ROD, STARTER LEVER	1	
37	91490-12012-00	. PIN, COTTER	1	
38	(170-14178-00-00)	PLATE, STARTER LVR	1	
39	132-14146-00-00	. PLATE	2	
40	UNA-VAILA-BL-EI	0 0		
41	(802-14187-00-00)	ARM, FLOAT	2	
42	90468-15009-00	CLIP	1	
43	93210-17105-00	UNAVAILABLE IN PRICE BOOK	2	
44	UNA-VAILA-BL-EI	0 0		
-1	(802-14101-62-00)	CARBURETOR ASSEMBLY 1	1	
-2	(802-14102-62-00)	CARBURETOR ASSEMBLY 2	1	
19-1	(204-14113-20-00)	VALVE, THROTTLE 2	1	

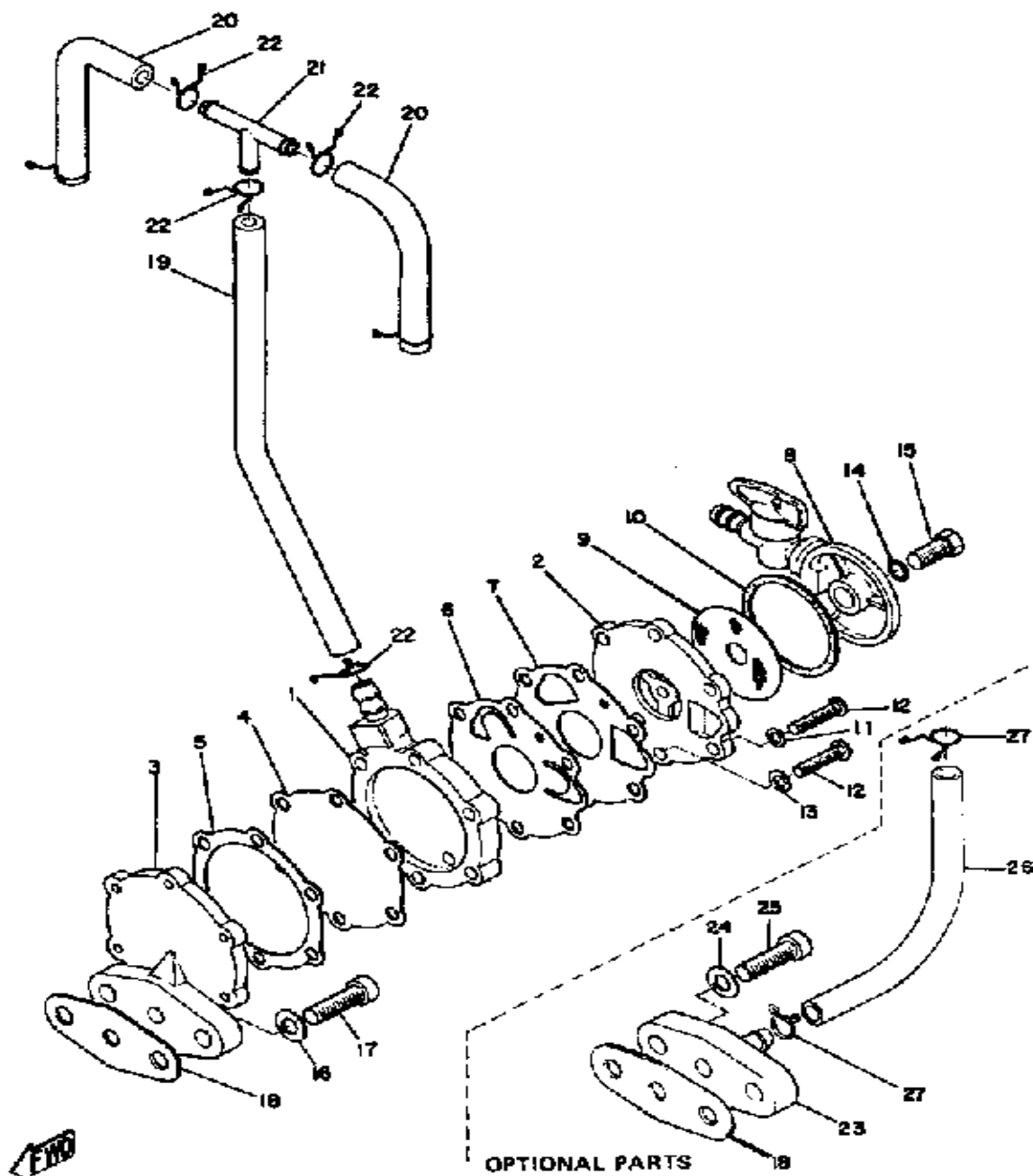
s. CARBURETOR TYPE (& quantity)	
Manufacturer & Venturi size	Independent float type (x 2)
Model Number	Mikun: 26mm
Main Jet	VM26SC (EARLY NO MARK) (LATE: 'E1' & 'E2')
Pilot Jet	Early = 200; Late = 220 or 230
Needle Jet	Early & late = 40
Jet Needle (& clip position)	Early & late = P6
Cutaway	Early & late = AD3-3
Idle Air Screw (turns out)	Early & late = 2.0
Float Level	Early = 1 1/4; late = 2
Slow Speed Screw - Diaphragm Carb. (turns out)	Early = 9.5mm; late = 7mm
High Speed Screw - Diaphragm Carb. (turns out)	?
Engine Idle Speed	?
Fuel Valve (fuel inlet seat)	1,500 rpm minimum
	1.2

# STARTER



Ref. No.	Part Number	Description	Qty	Remarks
1	UNA-VAILA-BL-EI	0 0		
2	(802-15714-01-00)	DRUM, SHEAVE	1	
3	802-15713-00-00	. SPRING, STARTER	1	
4	(626-15741-01-00)	PAWL, DRIVE	3	
5	626-15719-00-00	. WASHER, THRUST (802-15719-00)	1	
6	626-15715-01-00	. SPRING, DRIVE PLATE (807-15715-00)	1	
7	619-15734-00-00	. SPRING, RETURN	1	
8	626-15716-00-00	. PLATE, DRIVE	1	
9	(802-15726-00-00)	WASHER, FLAT	1	
10	(802-15744-00-00)	CIRCLIP	1	
11	(802-15751-00-00)	ROPE, STARTER	1	
12	UNA-VAILA-BL-EI	0 0		
13	619-15756-00-00	. CONNECTOR 1	1	
14	802-15723-00-00	PULLEY, STARTER	1	
15	97313-06016-00	BOLT, HEXAGON	3	
16	92995-06100-00	WASHER, SPRING	3	
17	97313-06016-00	BOLT, HEXAGON	3	
18	92995-06100-00	WASHER, SPRING	3	
-1	(802-15710-02-00)	STARTER ASSEMBLY	1	

# FUEL PUMP

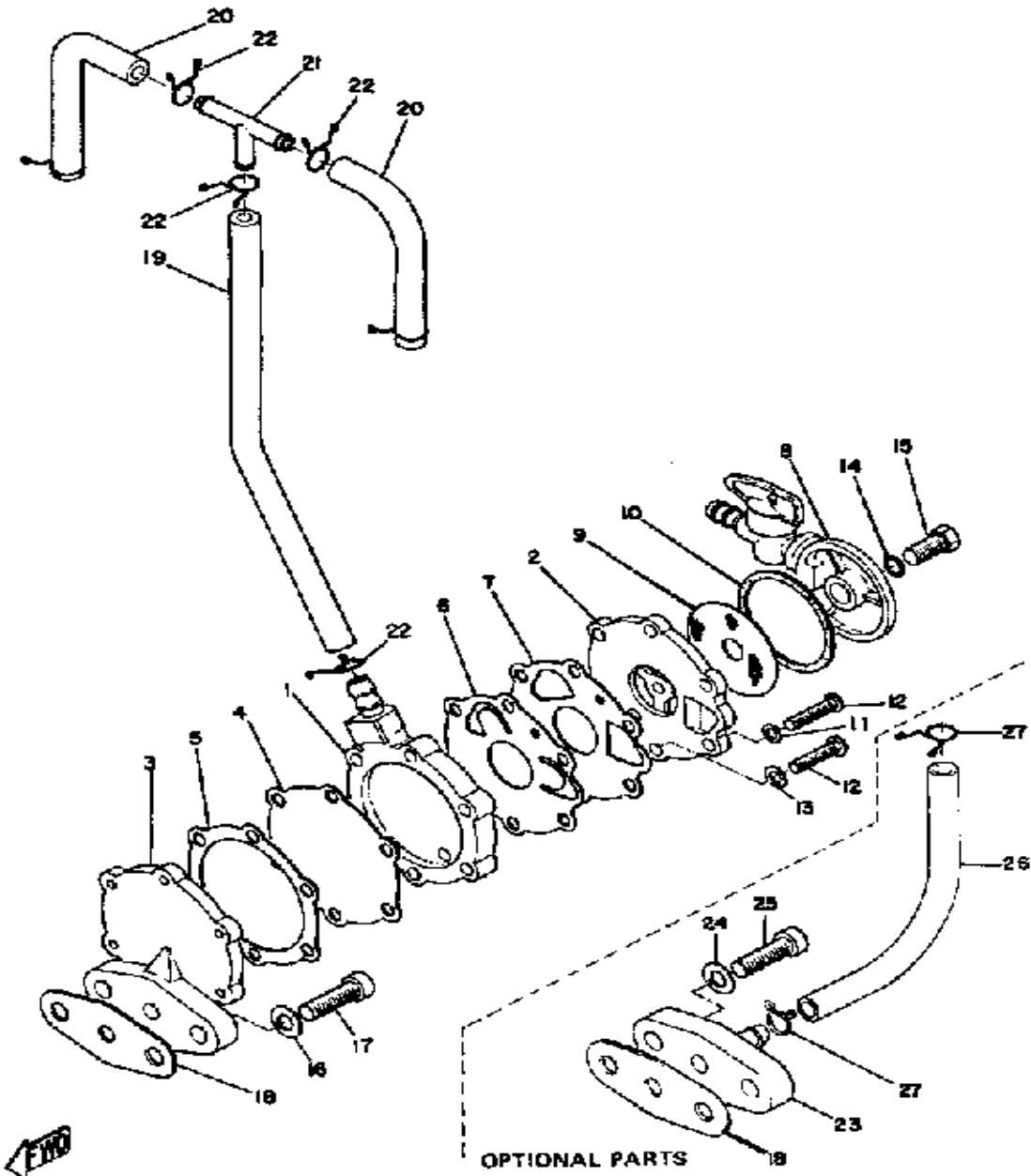


Ref. No.	Part Number	Description	Qty	Remarks
1	UNA-VAILA-BL-EI	0 0 .....		
2	UNA-VAILA-BL-EI	0 0 .....		
3	UNA-VAILA-BL-EI	0 0 .....		
4	801-24411-00-00	. DIAPHRAGM .....	1	
5	UNA-VAILA-BL-EI	0 0 .....		
6	(801-24421-00-00)	VALVE, CHECK .....	1	
7	(801-24435-00-00)	GASKET, BODY 2 .....	1	
8	UNA-VAILA-BL-EI	0 0 .....		
9	(801-24451-00-00)	NET, FILTER .....	1	
10	(801-24436-00-00)	GASKET, BODY 3 .....	1	
11	92901-04100-00	. WASHER, SPRING .....	5	
12	98506-04018-00	. SCREW, PAN HEAD .....	6	
13	(801-24438-00-00)	GASKET, BODY 5 .....	1	
14	801-24437-00-00	. GASKET, BODY 4 .....	1	
15	UNA-VAILA-BL-EI	0 0 .....		
16	92995-06100-00	WASHER, SPRING .....	2	
17	98580-06020-00	SCREW .....	2	
18	(801-24431-00-00)	GASKET, FUEL PUMP 1 .....	1	
19	(801-24312-00-00)	PIPE 2 .....	1	
20	UNA-VAILA-BL-EI	0 0 .....		
21	801-24376-00-00	PIPE, JOINT 1 .....	1	
22	90467-08003-00	CLIP .....	6	
23	UNA-VAILA-BL-EI	0 0 .....		
24	92995-06100-00	WASHER, SPRING .....	2	FOR SINGLE CARBURETOR
25	98580-06020-00	SCREW .....	2	FOR SINGLE CARBURETOR
26	UNA-VAILA-BL-EI	0 0 .....		
27	90467-09006-00	CLIP .....	2	FOR SINGLE CARBURETOR

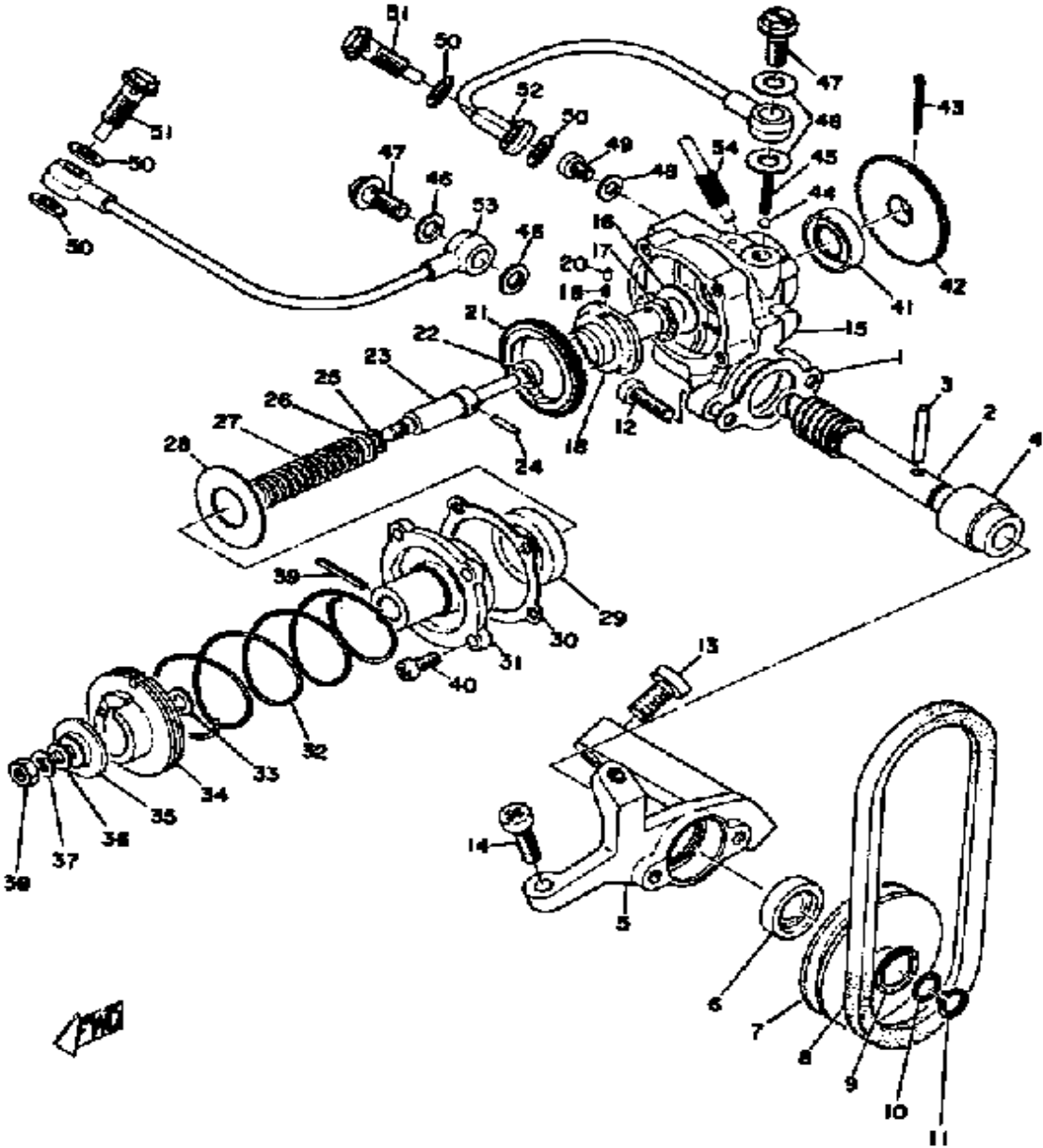
CONTINUED ON NEXT FRAME ➤

# FUEL PUMP

Ref. No.	Part Number	Description	Qty	Remarks
-1	(802-24410-00-00)	FUEL PUMP ASSEMBLY	..... 1	



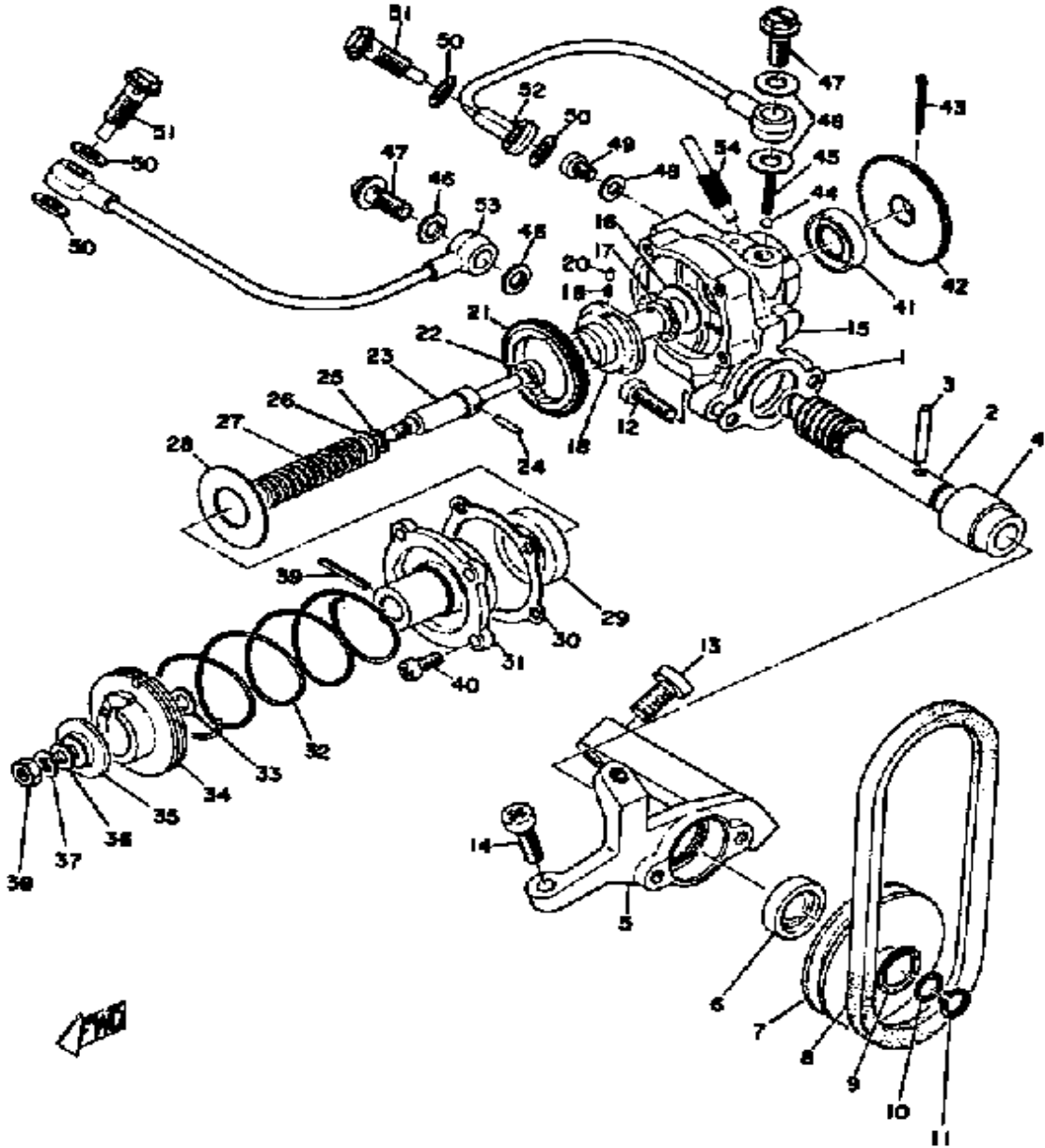
# OIL PUMP



Ref. No.	Part Number	Description	Qty	Remarks
1	3MT-13116-00-00	GASKET, PUMP CASE (8Y0-13116-00)	1	
2	UNA-VAILA-BL-EI	0 0		
3	93603-22028-00	PIN, DOWEL	1	
4	1E7-13176-00-00	METAL, WRM SHAF OTR	1	
5	(802-13199-01-00)	BRACKET, PUMP	1	
6	93101-10002-00	OIL SEAL	1	
7	807-13178-00-00	GEAR, PUMP DRIVE	1	
8	808-13189-00-00	BELT (810-13189-00)	1	
9	90206-11016-00	WASHER, WAVE	1	
10	137-13148-00-00	PLATE, CAM THRUST	1	
11	99009-10400-00	CIRCLIP	1	
12	98580-05016-00	SCREW, PAN HEAD	2	
13	98580-06020-00	SCREW	2	
14	98580-06012-00	SCREW, PAN HEAD	1	
15	UNA-VAILA-BL-EI	0 0		
16	137-13148-00-00	. PLATE, CAM THRUST	1	
17	90206-11016-00	. WASHER, WAVE	1	
18	UNA-VAILA-BL-EI	0 0		
19	(90501-02016-00)	SPRING, COMPRESSION	2	
20	(93602-04029-00)	PIN, DOWEL	2	
21	(168-13124-00-00)	GEAR, WORM WHEEL	1	
22	93104-04001-00	. OIL SEAL, SO-TYPE	1	
23	UNA-VAILA-BL-EI	0 0		
24	93603-12030-00	. PIN, DOWEL	1	
25	93440-08001-00	. CIRCLIP, OUTER	1	
26	(137-13134-00-00)	SEAT, SPRING	1	
27	(137-13135-00-00)	SPRING, PLNGR RTRN	1	
28	(137-13127-00-00)	PLATE, WORM WHEEL	1	

CONTINUED ON NEXT FRAME ►

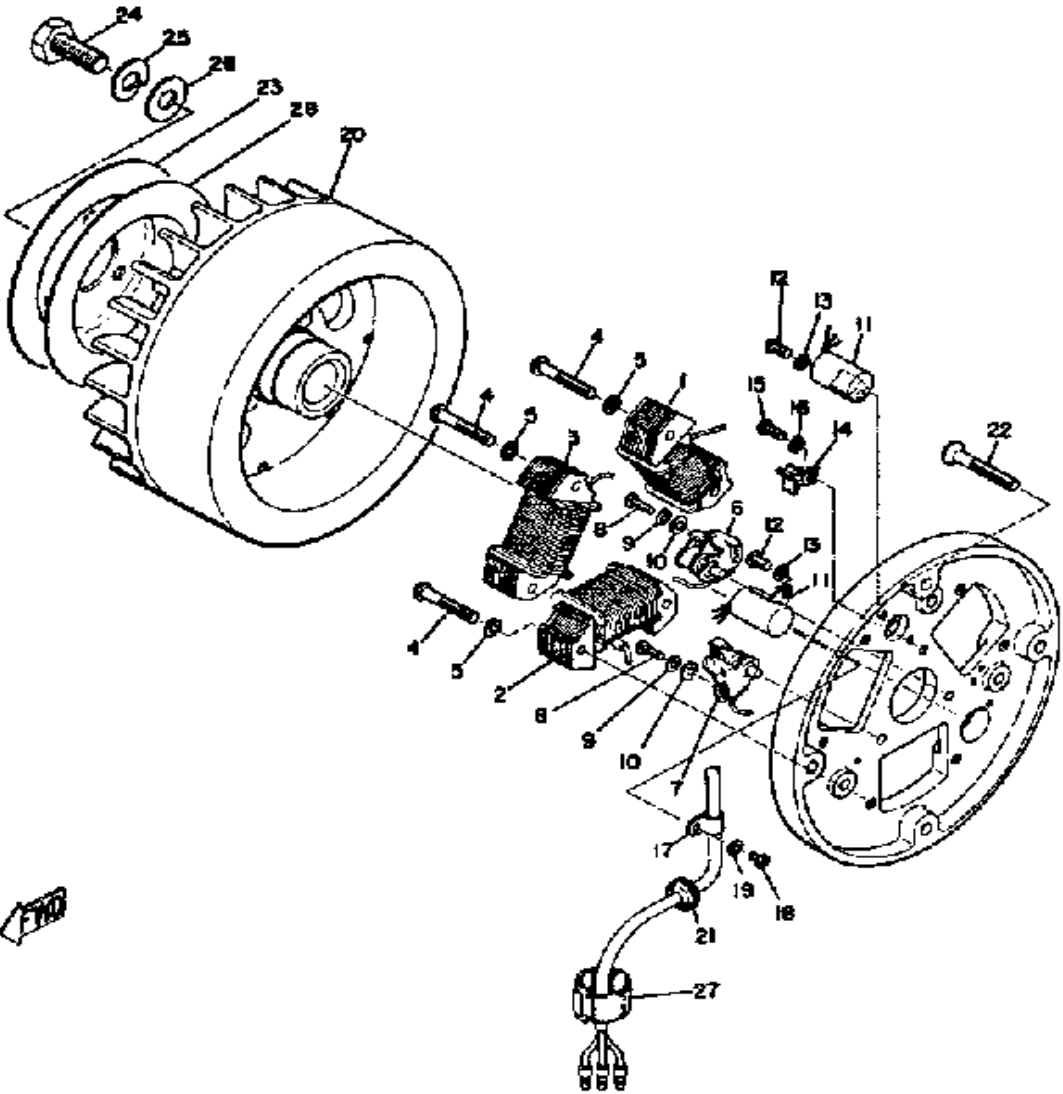
# OIL PUMP



Ref. No.	Part Number	Description	Qty	Remarks
29	93104-14059-00	. OIL SEAL, SO-TYPE	1	
30	137-13142-00-00	. GASKET	1	
31	UNA-VAILA-BL-EI	0 0		
32	90508-10013-00	. SPRING, TORSION (156-13145-00)	1	
33	137-13137-00-10	. SHIM (1.0T)	1	
34	(364-13144-01-00)	PULLEY, ADJUSTING	1	
35	137-13138-01-00	. PLATE, ADJUSTING	1	
36	137-13137-00-10	. SHIM (1.0T)	1	
37	92990-05100-00	. WASHER, SPRING	1	
38	95380-05600-00	. NUT	1	
39	91608-20010-00	. PIN, SPRING	1	
40	98580-04010-00	. SCREW, PAN HEAD	4	
41	93101-10090-00	. OIL SEAL	1	
42	(137-13128-00-00)	PLATE, STARTER	1	
43	91401-12018-00	. PIN, COTTER	1	
44	93505-32002-00	. BALL	2	
45	(90501-02017-00)	SPRING, COMPRESSION	2	
46	90430-06011-00	. GASKET	4	
47	90401-06001-00	. BOLT, UNION	2	
48	90430-04004-00	. GASKET	1	
49	98511-04006-00	. SCREW, PAN HEAD (98501-04005)	1	
50	90430-06011-00	GASKET	4	
51	90401-06011-00	BOLT, UNION	2	
52	(802-13161-00-00)	PIPE, DELIVERY 1	1	
53	(802-13171-00-00)	PIPE, DELIVERY 2	1	
54	(126-13184-00-00)	SPRING, OIL PIPE	1	
-1	(168-13101-03-00)	OIL PUMP ASSEMBLY	1	

# FLYWHEEL MAGNETO

Ref. No.	Part Number	Description	Qty	Remarks
1	(802-81312-20-00)	COIL, SOURCE .....	1	
2	802-81342-20-00	. COIL, CHARGE 2 .....	1	
3	(802-81313-20-00)	COIL, LIGHTING 1 .....	1	
4	98503-05025-00	. SCREW, PAN HEAD (98501-05025) .....	6	
5	92990-05100-00	. WASHER, SPRING .....	6	
6	806-81321-20-00	. CONTACT BRKR ASSEMBLY	1	
7	1M1-81321-20-00	. CONTACT BRKR ASSEMBLY (R.H) (806-81322-20) .....	1	
8	98511-04012-00	. SCREW, PAN HEAD .....	2	
9	92901-04100-00	. WASHER, SPRING .....	2	
10	92990-04200-00	. WASHER, PLAIN .....	2	
11	802-81325-90-00	. CONDENSER 1 .....	1	
	802-81326-20-00	. CONDENSER 2 .....	1	
12	98580-04010-00	. SCREW, PAN HEAD .....	2	
13	92901-04100-00	. WASHER, SPRING .....	2	
14	116-81331-20-00	. LUBRICATOR .....	2	
15	98580-04010-00	. SCREW, PAN HEAD .....	2	
16	92901-04100-00	. WASHER, SPRING .....	2	
17	104-81328-20-00	. CLAMP .....	1	
18	98580-04008-00	. SCREW, PAN HEAD .....	1	
19	92901-04100-00	. WASHER, SPRING .....	1	
20	(802-81350-20-00)	ROTOR ASSEMBLY .....	1	
21	(104-81329-00-00)	GROMMET .....	1	
22	98701-06035-00	SCREW, FLAT HEAD .....	4	
23	(802-81362-00-00)	COVER, HOLE .....	1	
24	97011-10025-00	BOLT .....	1	
25	92990-10100-00	WASHER, SPRING .....	1	
26	UNA-VAILA-BL-EI	0 0 .....		

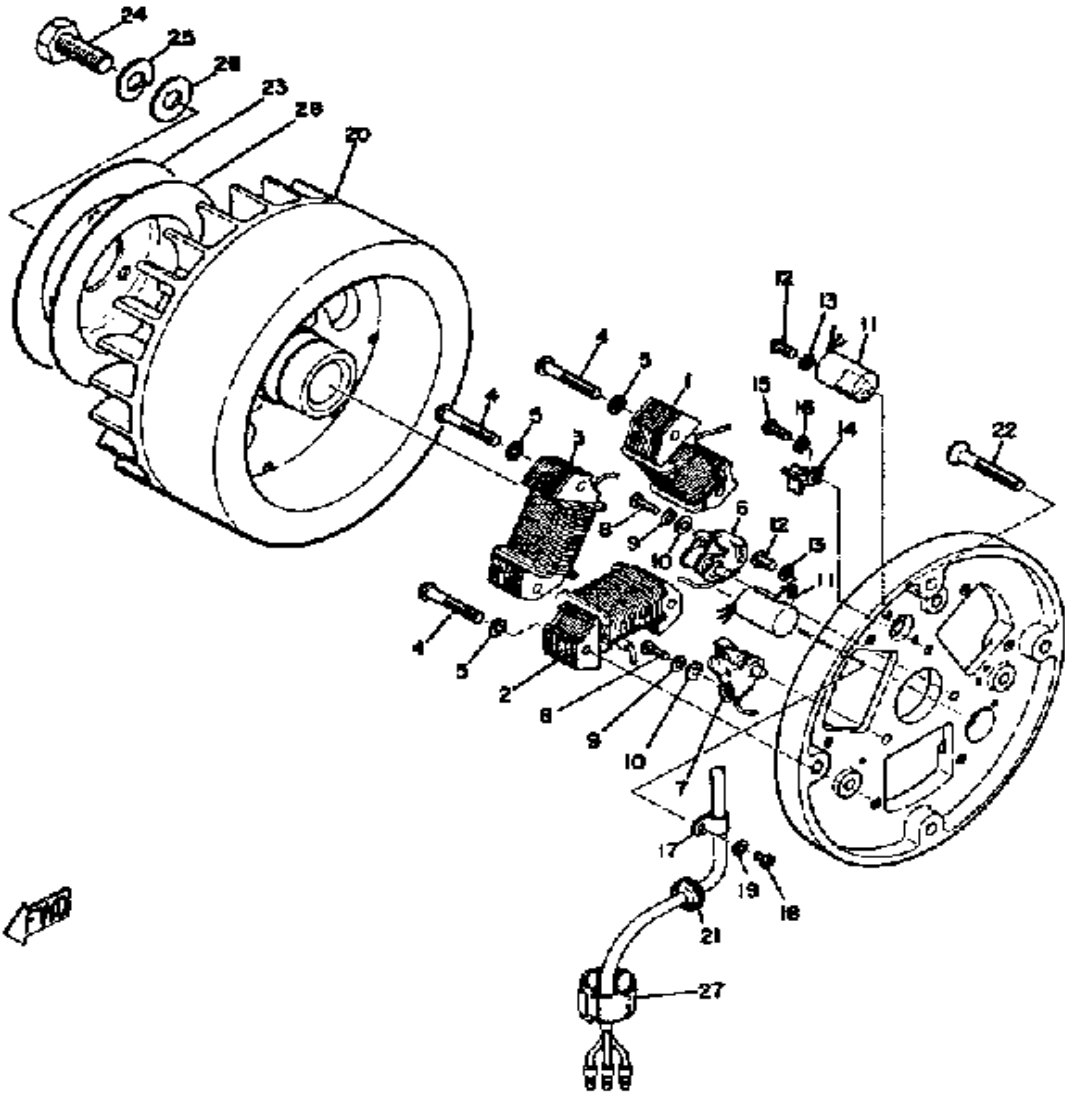


21. IGNITION METHOD	Flywheel magneto
22. IGNITION TIMING BEFORE T.D.C. (mm)	1.5mm ± .1
23. CONTACT BREAKER POINT GAP SETTING	Ignition timing sets gap
24. BREAKER POINT CONTACT PRESSURE	600 - 800 grams

CONTINUED ON NEXT FRAME ►

# FLYWHEEL MAGNETO

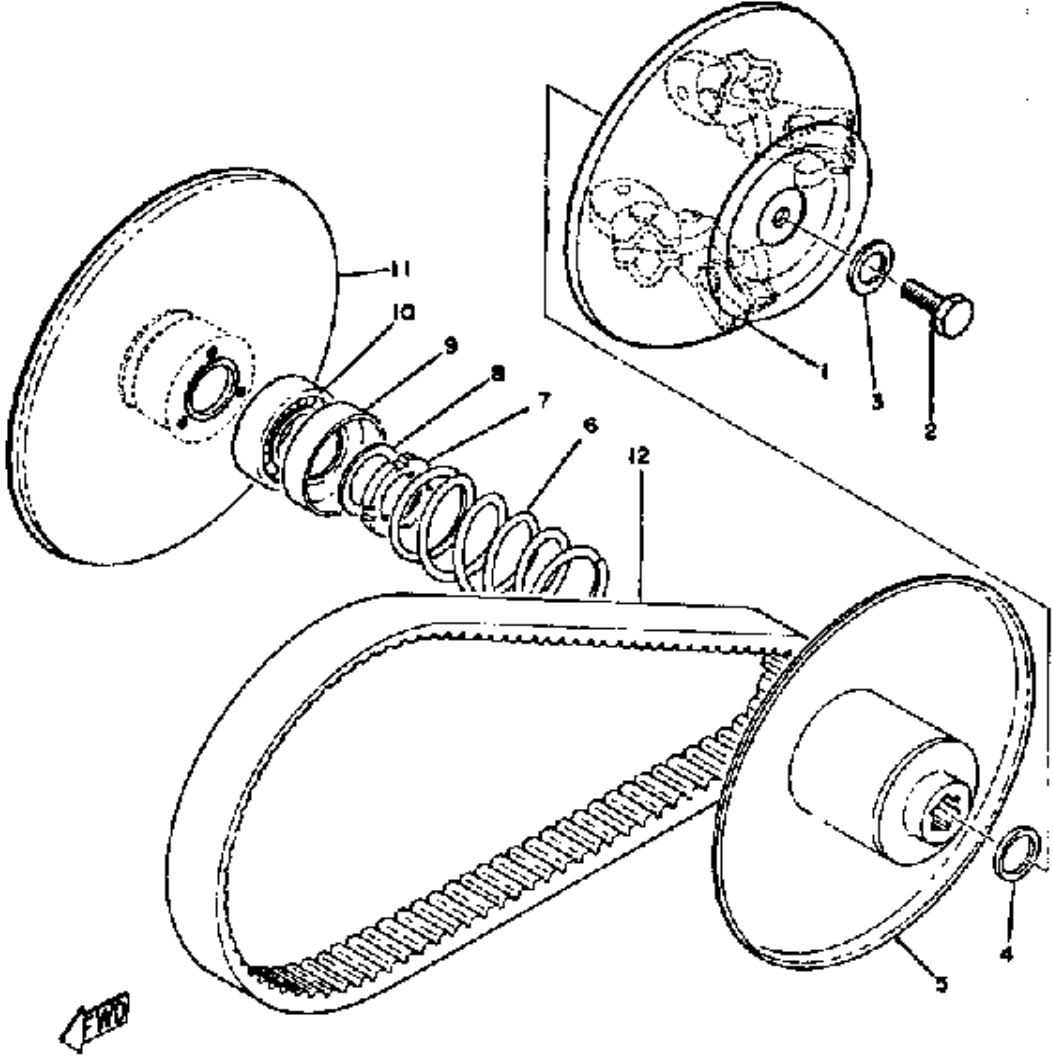
Ref. No.	Part Number	Description	Qty	Remarks
27	437-83936-01-00	BAND, SWITCH CORD .....	1	
28	UNA-VAILA-BL-EI	0 0 .....		
-1	FLY-WHEEL-MA-GN	UNAVAILABLE IN PRICE BOOK	1	



21. IGNITION METHOD	Flywheel magneto
22. IGNITION TIMING BEFORE T.D.C. (mm)	1.5mm ± .1
23. CONTACT BREAKER POINT GAP SETTING	Ignition timing sets gap
24. BREAKER POINT CONTACT PRESSURE	600 - 800 grams



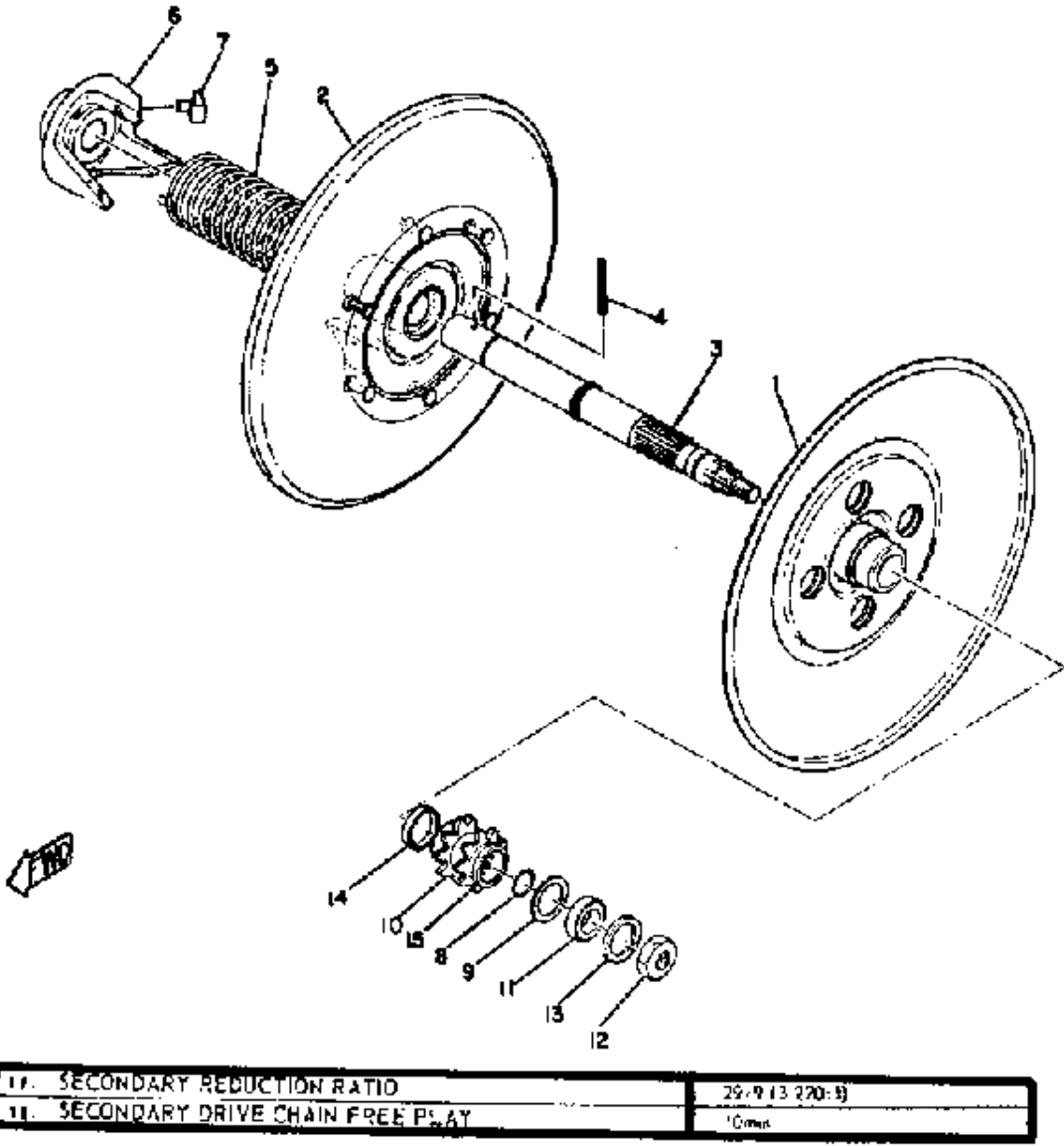
# PRIMARY SHEAVE



Ref. No.	Part Number	Description	Qty	Remarks
1	802-17630-01-00	PRI SHV CAP .....	1	
2	97011-10025-00	BOLT .....	1	
3	92990-10100-00	WASHER, SPRING .....	1	
4	(90560-20035-00)	SPACER .....	1	
5	(802-17620-03-00)	PRI SLIDG SHEAVE .....	1	
6	(802-17643-00-00)	SPRING, PRIMARY .....	1	U.R. PN11
	(805-17643-00-00)	SPRING, PRIMARY .....	1	U.R. U.R. N/A
7	(90179-25083-00)	NUT, SPEC'L SHAPE .....	1	
8	90208-25010-00	WASHER, CONICAL SPR .....	1	
9	867-17644-00-00	SEAT, SPRING .....	1	
10	93306-20509-00	BEARING (B6205) (93306-20525) 0 1 .....	1	
11	(802-17610-02-00)	PRI FIXED SHEAVE .....	1	
12	820-17641-00-00	V-BELT .....	1	

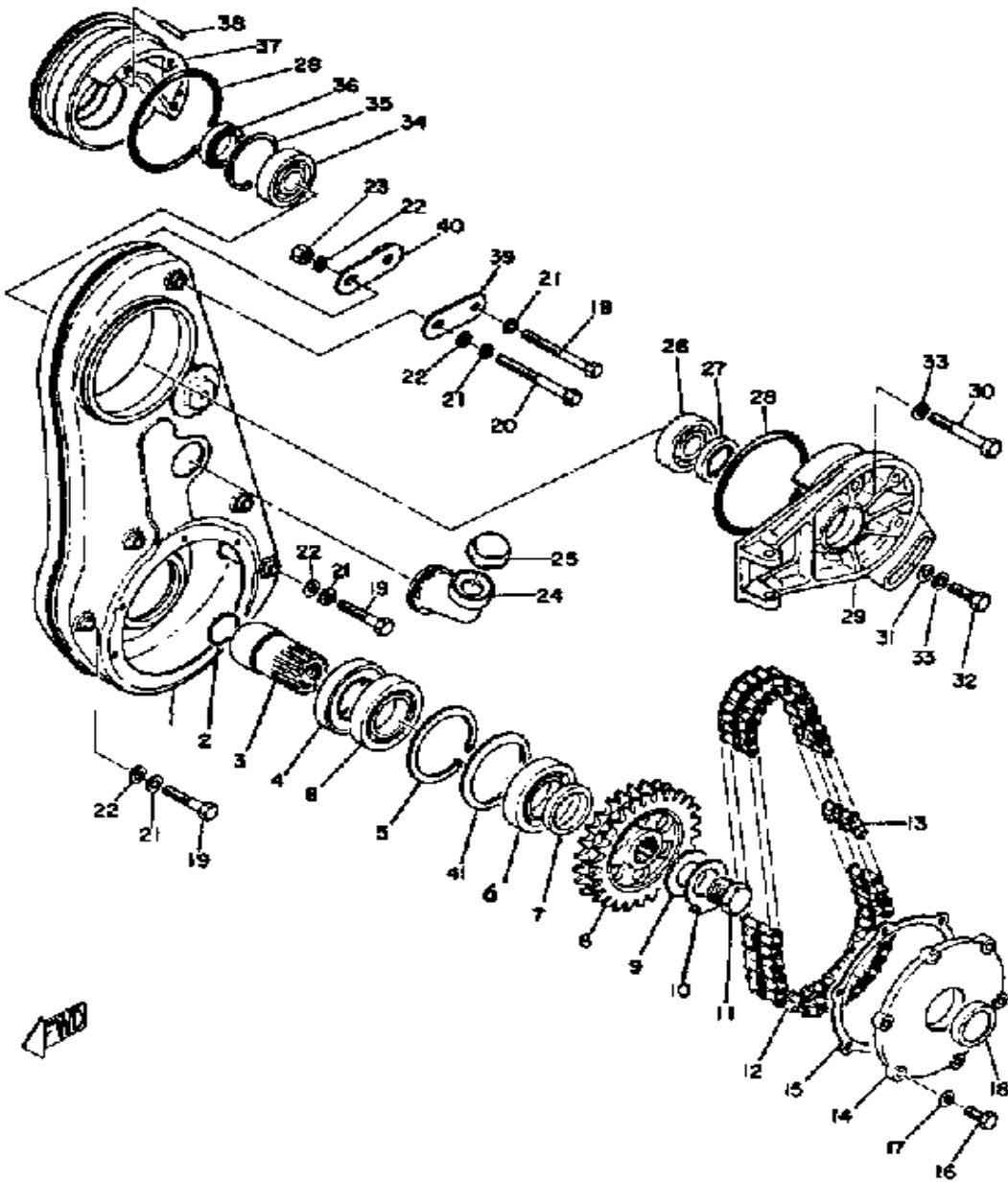
13. V-BELT WIDTH & LENGTH (mm)	31.5 x 1090
14. VARIABLE SHEAVE RATIOS	3.5:1 - 1:1
15. SHEAVE CENTER-TO-CENTER DISTANCE	270mm ± 2
16. PRIMARY & SECONDARY SHEAVE OFF-SET DISTANCE	16mm (Outside measurements)

# SECONDARY SHEAVE



Ref. No.	Part Number	Description	Qty	Remarks
1	(810-17660-00-00)	SEC FXD SHV .....	1	
2	(806-17670-00-00)	SEC SLIDING SHEAVE .....	1	
3	UNA-VAILA-BL-EI	0 0 .....	802	
4	91609-80040-00	PIN, SPRING .....	1	
5	(802-17683-00-00)	SPRING, SECONDARY .....	1	U.R.
	90508-40080-00	SPRING, TORSION .....	1	U.R.
6	UNA-VAILA-BL-EI	0 0 .....		
7	801-17688-10-00	SHOE, RAMP .....	3	
8	(93210-15090-00)	O-RING .....	1	
9	(150-17417-00-03)	SHIM 1 .....	1	U.R.
	150-17417-00-02	SHIM 1 .....	1	U.R.
10	(802-17682-01-00)	SPRKT, CHAIN DR 9T .....	1	
	802-17682-10-00	SPROCKET, CHAIN DRIVE (10T) .....	1	
	802-17682-20-00	SPROCKET, CHAIN DRIVE (11T) .....	1	
11	90387-17133-00	COLLAR .....	1	
12	95303-12600-00	NUT .....	1	
13	92901-12100-00	WASHER, SPRING .....	1	
14	90387-19149-00	COLLAR (812-17685-00) .....	1	E 2498 PN12
15	90387-17133-00	COLLAR .....	1	E 2498 PN12
-1	(802-17000-00-00)	CLUTCH WEIGHT KIT .....	1	
1-1	(802-17681-00-00)	SHAFT, SECONDARY .....	1	
1-2	93102-30072-00	. OIL SEAL, SD-TYPE .....	1	

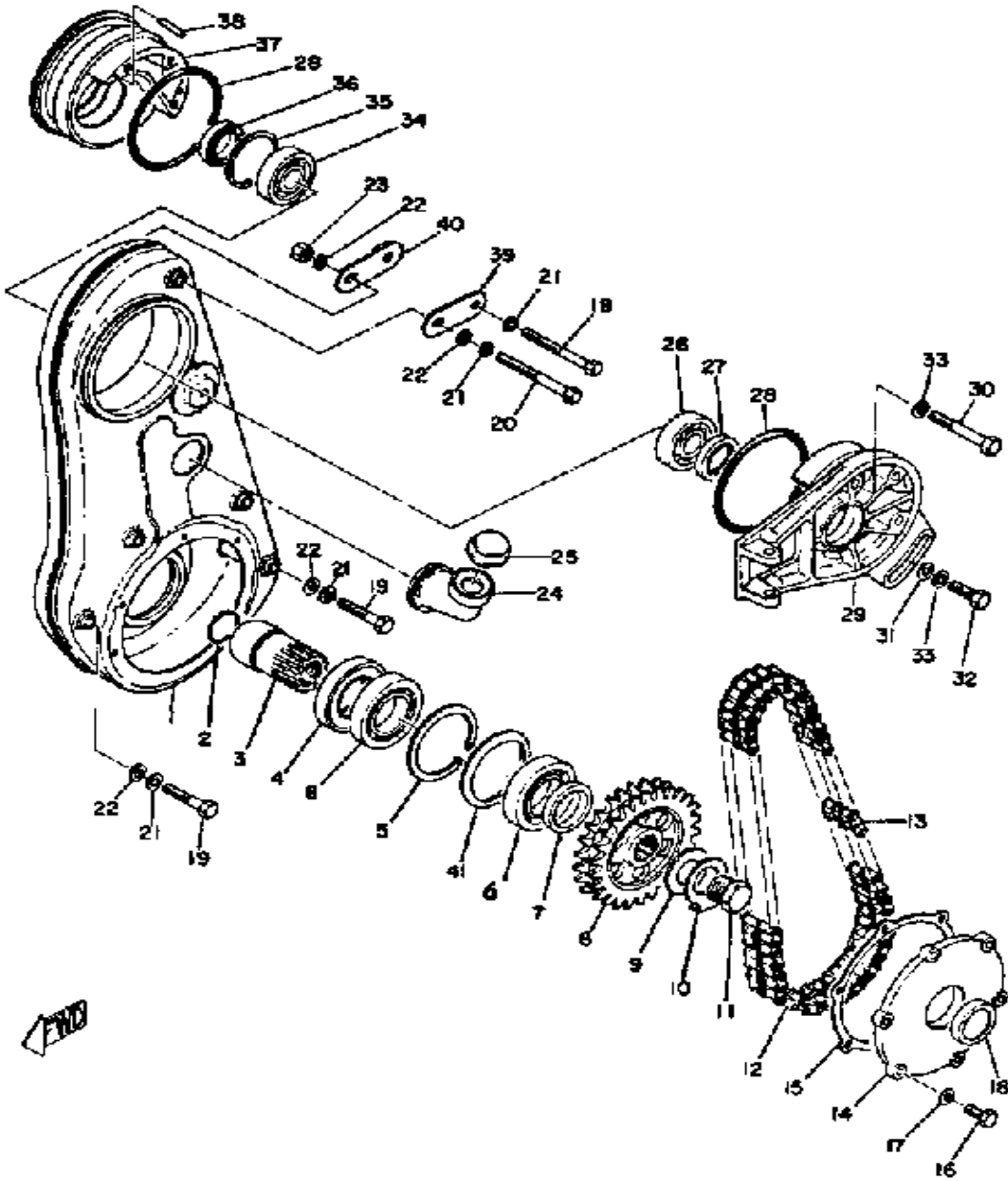
# TRACK DRIVE



Ref. No.	Part Number	Description	Qty	Remarks
1	(802-47541-00-00)	HOUSING, CHAIN .....	1	
2	93210-25070-00	O-RING .....	1	
3	UNA-VAILA-BL-EI 0 0 .....			
4	(93110-40001-00)	OIL SEAL, SWO-TYPE .....	1	
	93105-40018-00	OIL SEAL, SDD-TYPE .....	1	
5	93420-62070-00	CIRCLIP 54G .....	2	
6	93306-00701-00	BEARING (B6007) .....	2	
7	90387-35205-00	COLLAR .....	1	
8	(802-47548-00-00)	SPROCKET, CHN DRVN .....	1	U.R.
	(802-47548-40-00)	SPROCKET, CHN DRVN .....	1	U.R.
	802-47548-50-00	SPROCKET, CHN DRVN .....	1	U.R.
9	(802-47555-00-00)	WASHER .....	1	
10	90210-05005-00	WASHER, SEAL .....	1	
11	90109-24202-00	BOLT (802-47553-00) .....	1	
12	(94804-25064-00)	CHAIN .....	1	U.R.
	94804-25062-00	CHAIN (DK425-2 62L) .....	1	U.R.
13	94904-25001-00	. JOINT CHAIN .....	1	
14	(802-47543-00-00)	CAP, HOUSING .....	1	
15	802-47544-00-00	GASKET .....	1	
16	97001-05018-00	BOLT HEXAGON .....	6	
17	90210-05005-00	WASHER, SEAL .....	6	
18	(801-47546-00-00)	LEVEL, OIL .....	1	
19	97021-08070-00	BOLT .....	5	
20	97013-08075-00	BOLT .....	1	
21	92990-08100-00	WASHER .....	6	
22	92990-08200-00	WASHER, PLAIN .....	6	6
23	95333-08600-00	NUT .....	1	
24	(801-47547-00-00)	FILLER, OIL .....	1	
25	(204-15371-00-00)	BREATHER .....	1	

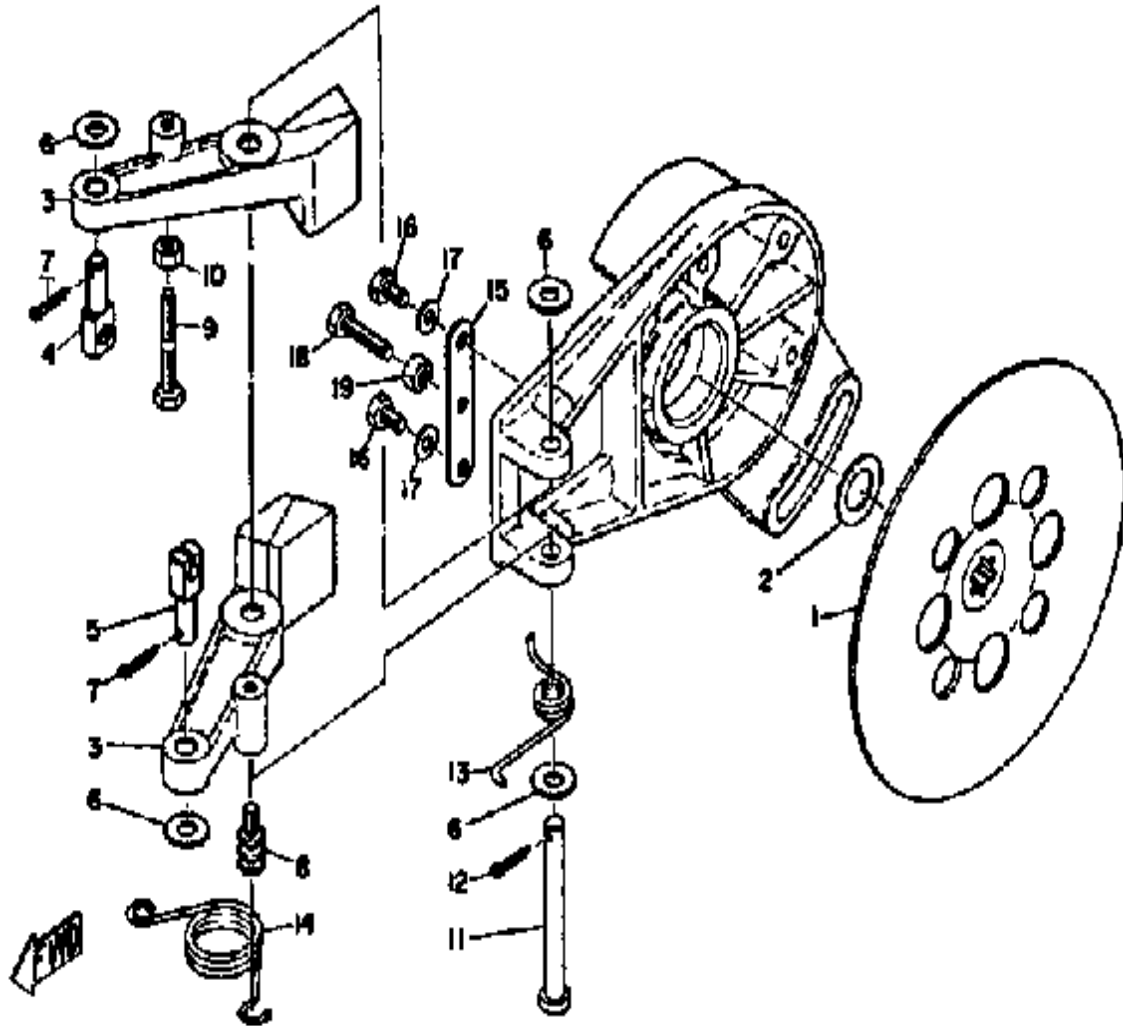
CONTINUED ON NEXT FRAME ➤

# TRACK DRIVE



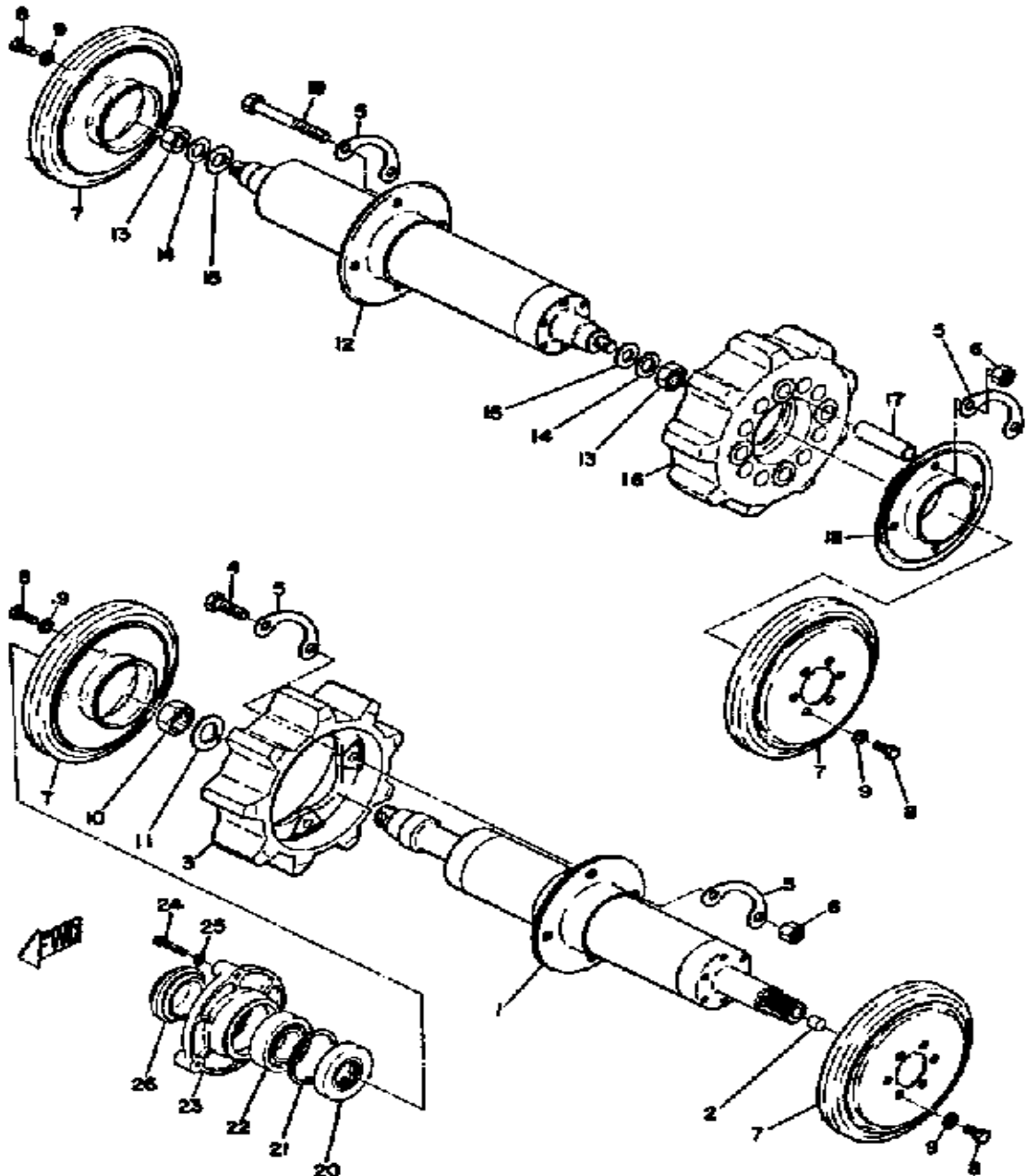
Ref. No.	Part Number	Description	Qty	Remarks
26	93306-30302-00	BEARING .....	1	
27	93102-25360-00	OIL SEAL .....	1	
28	93210-99103-00	O-RING .....	2	
29	UNA-VAILA-BL-EI	0 0 .....		
30	97013-08060-00	BOLT (663) .....	3	
31	92990-08200-00	WASHER, PLAIN .....	1	
32	97013-08025-00	BOLT .....	1	
33	92990-08100-00	WASHER .....	4	
34	93306-30421-00	BEARING (B6304C3) .....	1	
35	99009-52500-00	CIRCLIP .....	1	
36	93102-32055-00	OIL SEAL, SD-TYPE .....	1	
37	UNA-VAILA-BL-EI	0 0 .....		
38	93604-18058-00	PIN, DOWEL .....	2	
39	UNA-VAILA-BL-EI	0 0 .....		
40	UNA-VAILA-BL-EI	0 0 .....		
41	90560-35050-00	SPACER .....	1	

# BRAKE



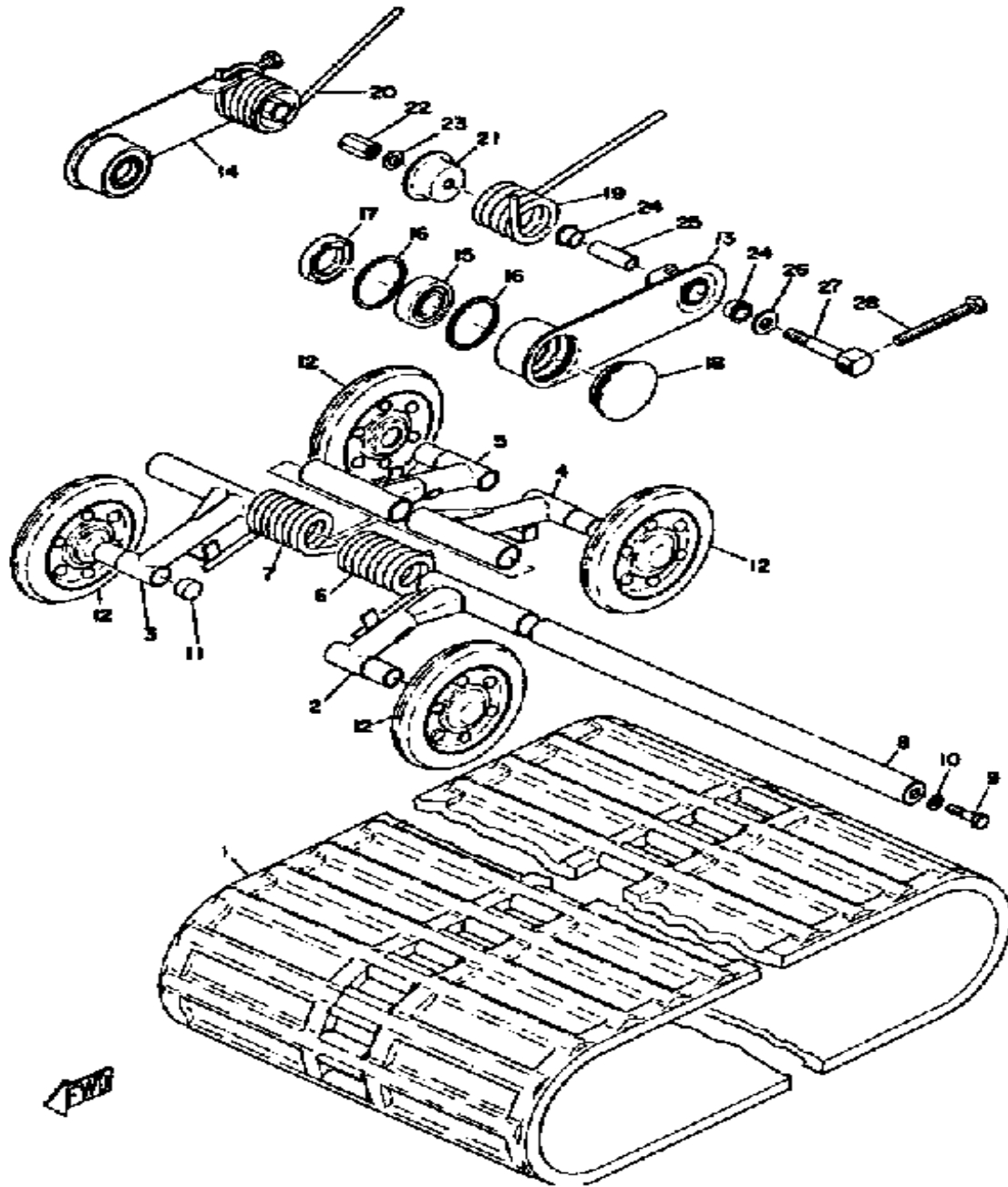
Ref. No.	Part Number	Description	Qty	Remarks
1	(801-25711-00-00)	DISC, BRAKE .....	1	
2	(156-17427-00-07)	SHIM 1 .....	1	
3	(801-25730-00-00)	CALIPER BODY 1 .....	2	
4	(801-25734-00-00)	PIN 1 .....	1	
5	UNA-VAILA-BL-EI	0 0 .....		
6	92990-08200-00	WASHER, PLAIN .....	4	
7	91401-30020-00	PIN, COTTER .....	2	
8	UNA-VAILA-BL-EI	0 0 .....		
9	97313-06055-00	BOLT, HEXAGON (97322-06055)	1	
10	95380-06700-00	NUT .....	1	
11	(91501-08070-00)	PIN, CLEVIS .....	1	
12	91490-20020-00	PIN, COTTER .....	1	
13	(90508-23193-00)	SPRING, TORSION .....	1	
14	90508-29049-00	SPRING, TORSION .....	1	
15	(802-25722-00-00)	BRACKET, ADJUSTING .....	1	
16	97013-06012-00	BOLT .....	2	
17	92995-06100-00	WASHER, SPRING .....	2	
18	97313-06020-00	BOLT, HEXAGON .....	1	
19	95380-06700-00	NUT .....	1	

# FRONT AXLE & REAR AXLE



Ref. No.	Part Number	Description	Qty	Remarks
1	(802-47510-00-00)	FRONT AXLE .....	1	
2	(802-47575-00-00)	PLUG .....	1	
3	UNA-VAILA-BL-EI	0 0 .....		
4	97013-08025-00	BOLT .....	4	
5	802-47517-00-00	WASHER, LOCK .....	8	
6	95333-08600-00	NUT .....	8	
7	UNA-VAILA-BL-EI	0 0 .....		
8	97313-06016-00	BOLT, HEXAGON .....	24	
9	92995-06100-00	WASHER, SPRING .....	24	
10	90170-18089-00	NUT, HEXAGON .....	1	
11	92901-18100-00	WASHER, SPRING .....	1	
12	(802-47520-00-00)	REAR AXLE .....	1	
13	95301-12700-00	NUT (95302-12700) .....	2	
14	92901-12100-00	WASHER, SPRING .....	2	
15	92990-12200-00	WASHER, PLAIN .....	2	
16	(806-47531-00-00)	WHEEL, SPROCKET 1 .....	1	
17	90387-09072-00	COLLAR .....	4	
18	(802-47523-00-00)	RIM, SPROCKET .....	1	
19	97021-08070-00	BOLT .....	4	
20	93105-32008-00	OIL SEAL, SDD-TYPE (93110-32002) .....	1	
21	99009-52500-00	CIRCLIP .....	1	
22	93306-20529-00	BEARING (B6205C4) .....	1	
23	(802-47551-00-00)	HOUSING, FRONT AXLE .....	1	
24	97011-06025-00	BOLT (97001-06025) .....	3	
25	92995-06100-00	WASHER, SPRING .....	3	
26	(802-47552-01-00)	CAP .....	1	

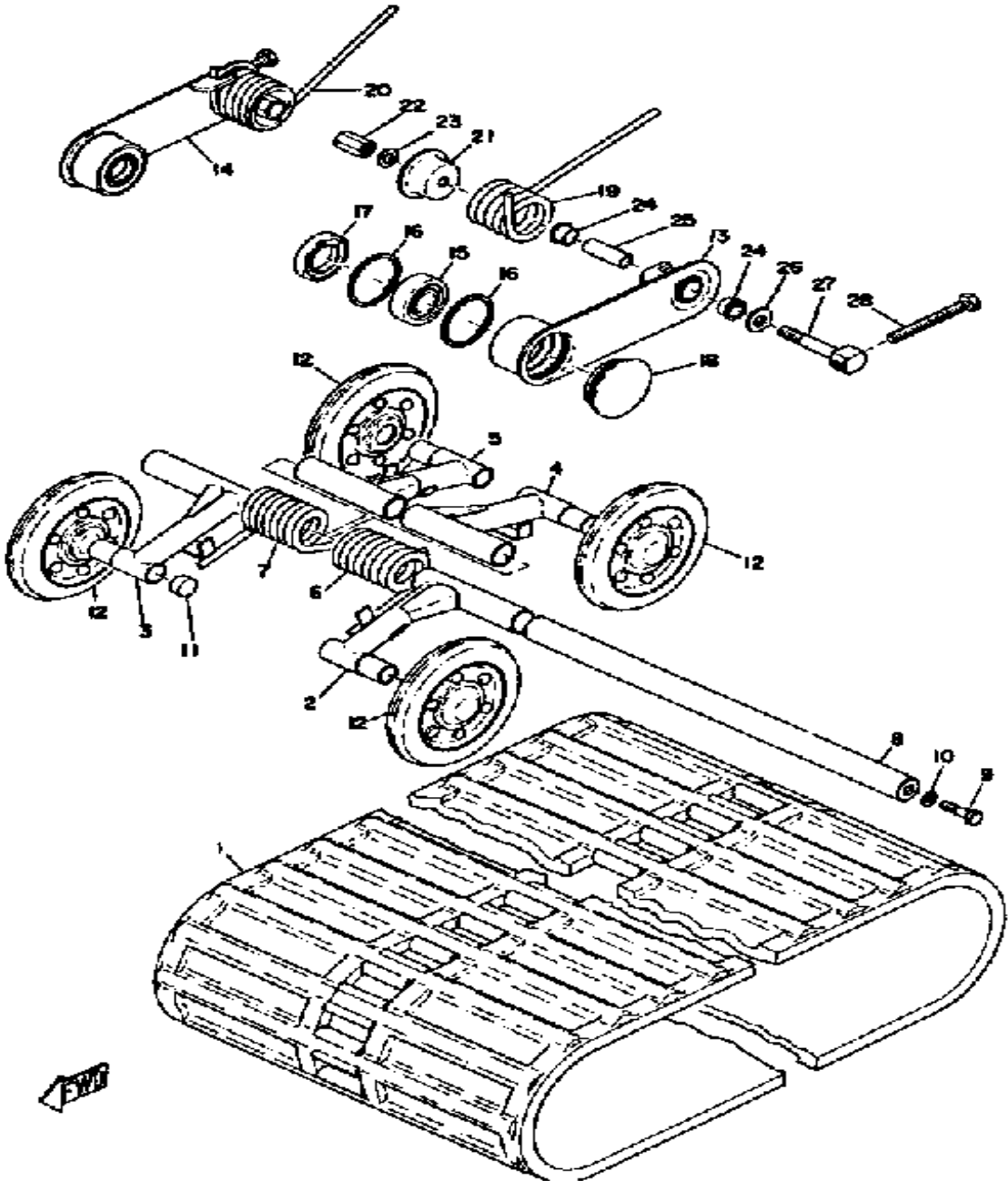
# TRACK & SUSPENSION



Ref. No.	Part Number	Description	Qty	Remarks
1	(861-47110-00-00)	TRACK ASSEMBLY .....	1	
2	(802-47331-00-00)	ARM, PIVOT 1 .....	3	
3	UNA-VAILA-BL-EI 0 0 .....			
4	(802-47332-00-00)	ARM, PIVOT 2 .....	3	
5	(802-47333-00-00)	ARM, PIVOT 3 .....	3	
6	(90508-70096-00)	SPRING, TORSION .....	3	
7	90508-70120-00	SPRING, TORSION .....	3	
8	(802-47337-00-00)	SHAFT, PIVOT .....	3	
9	97313-08030-00	BOLT, HEXAGON .....	6	
10	92990-08100-00	WASHER .....	6	
11	(90336-18008-00)	PLUG, TAPER .....	12	
12	8A9-47310-01-00	SUSPENSION WHL ASSEMBLY (810-47310-00) .....	12	
13	(802-47361-00-00)	ARM, REAR PIVOT 1 .....	1	
14	(802-47362-00-00)	ARM, REAR PIVOT 2 .....	1	
15	93306-20421-00	BEARING .....	2	
16	99009-47500-00	CIRCLIP .....	4	
17	93102-25044-00	OIL SEAL .....	2	
18	802-47377-00-00	CAP .....	2	
19	802-47363-00-00	SPRING, REAR 1 .....	1	
20	90508-80088-00	SPRING, TORSION (802-47364-00) .....	1	
21	(802-47374-00-00)	WASHER 1 .....	2	
22	802-47368-00-00	NUT .....	2	
23	92990-10100-00	WASHER, SPRING .....	2	
24	801-47371-00-00	BUSH, PIVOT .....	4	
25	90387-10090-00	COLLAR .....	2	
26	(90201-10370-00)	WASHER, PLATE .....	2	
27	(802-47367-00-00)	SCREW, REAR PIVOT .....	2	

CONTINUED ON NEXT FRAME ►

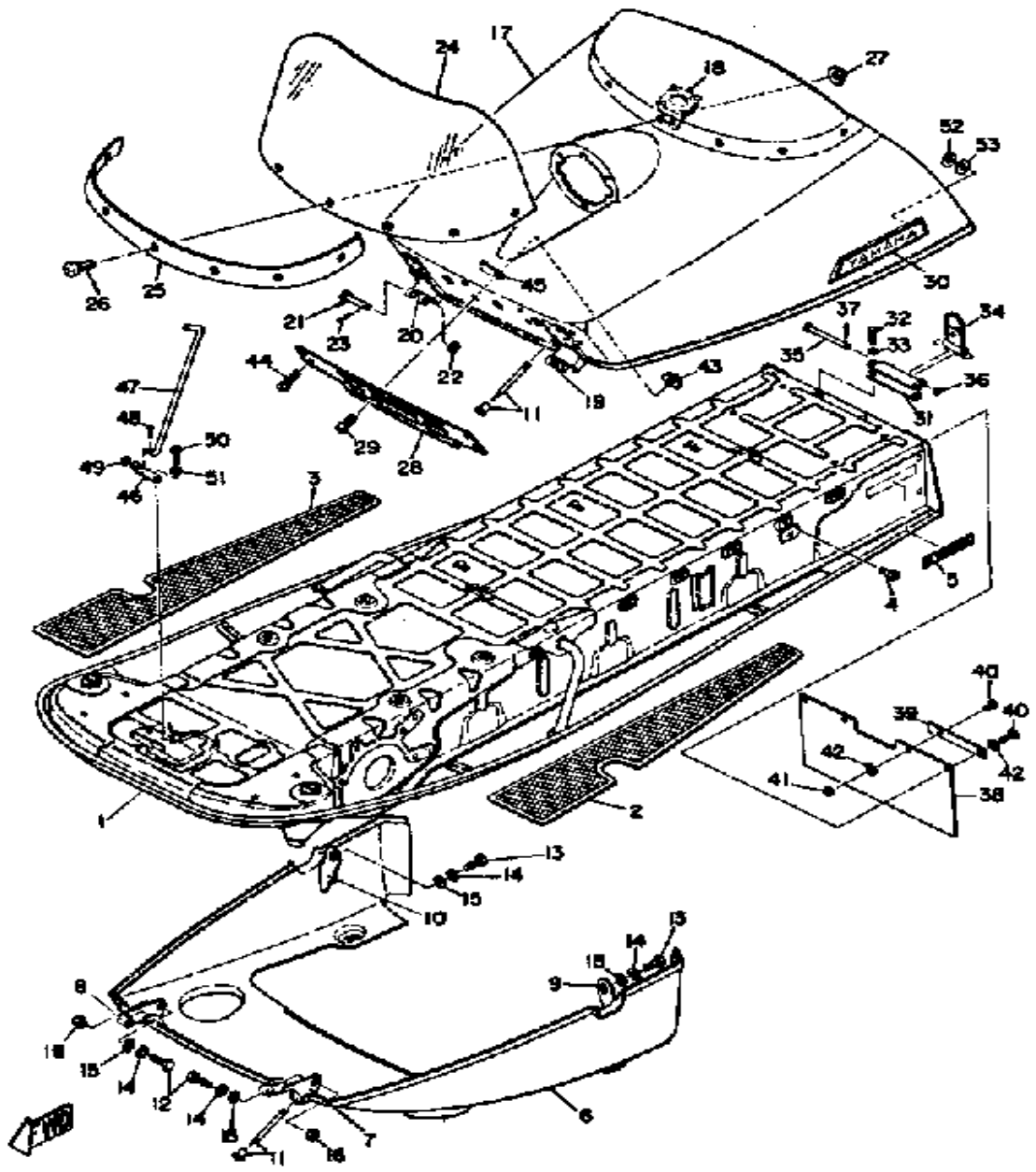
# TRACK & SUSPENSION



Ref. No.	Part Number	Description	Qty	Remarks
28	90106-08050-00	BOLT, DOME HEAD (841-47373-00)	2	
1-1	(806-47113-00-00)	PLATE, RNFCMNT	58	



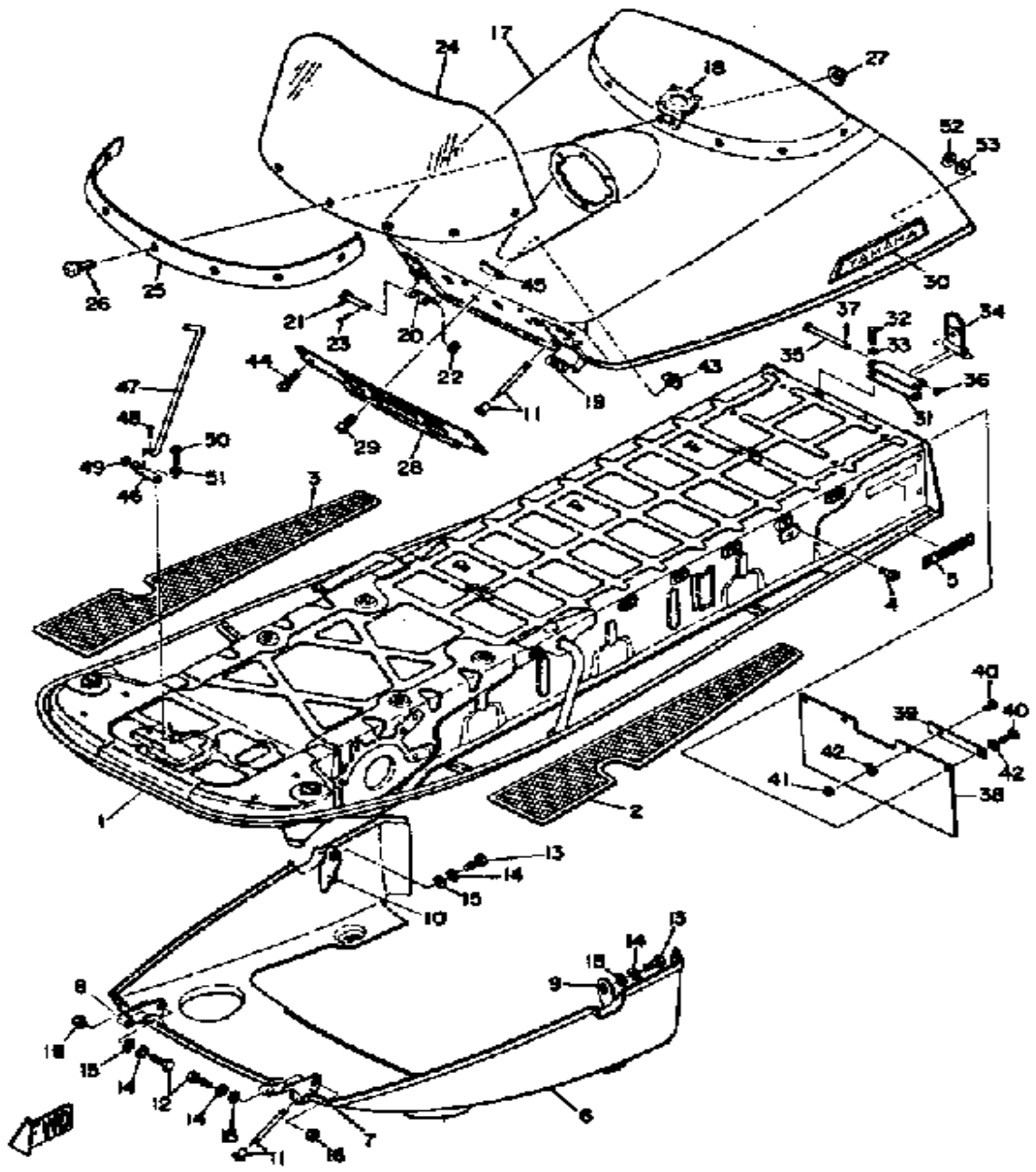
# FRAME & FRONT HOOD



Ref. No.	Part Number	Description	Qty	Remarks
1	UNA-VAILA-BL-EI	0 0		
2	(802-27413-00-00)	COVER, FOOTREST	1	
3	(802-27423-00-00)	COVER, FOOTREST	1	
4	UNA-VAILA-BL-EI	0 0		
5	(802-77351-00-00)	EMBLEM 1	2	
6	UNA-VAILA-BL-EI	0 0		
7	UNA-VAILA-BL-EI	0 0		
8	UNA-VAILA-BL-EI	0 0		
9	(802-77127-00-00)	STAY 3	1	
10	(802-77128-00-00)	STAY 4	1	
11	90267-40M00-00	. RIVET, BLIND	26	
12	97313-08045-00	BOLT	2	
13	97313-08016-00	BOLT, HEXAGON	2	
14	92990-08100-00	WASHER	4	
15	92990-08200-00	WASHER, PLAIN	4	
16	95303-08700-00	NUT	2	
17	UNA-VAILA-BL-EI	0 0		
18	(802-77171-00-00)	BODY, LATCH 1	1	
19	UNA-VAILA-BL-EI	0 0		
20	UNA-VAILA-BL-EI	0 0		
21	(91501-06045-00)	PIN, CLEVIS	2	
22	92990-06200-00	WASHER	2	
23	91490-16020-00	PIN, COTTER	2	
24	(802-77210-00-00)	WINDSHIELD	1	
25	(802-77214-00-00)	TRIM, LOWER	1	
26	98580-05016-00	SCREW, PAN HEAD	7	
27	90180-05004-00	NUT, T (802-77217-00)	7	
28	(802-77131-00-00)	LOUVER 1	1	
29	98903-05012-00	SCREW, BIND	4	

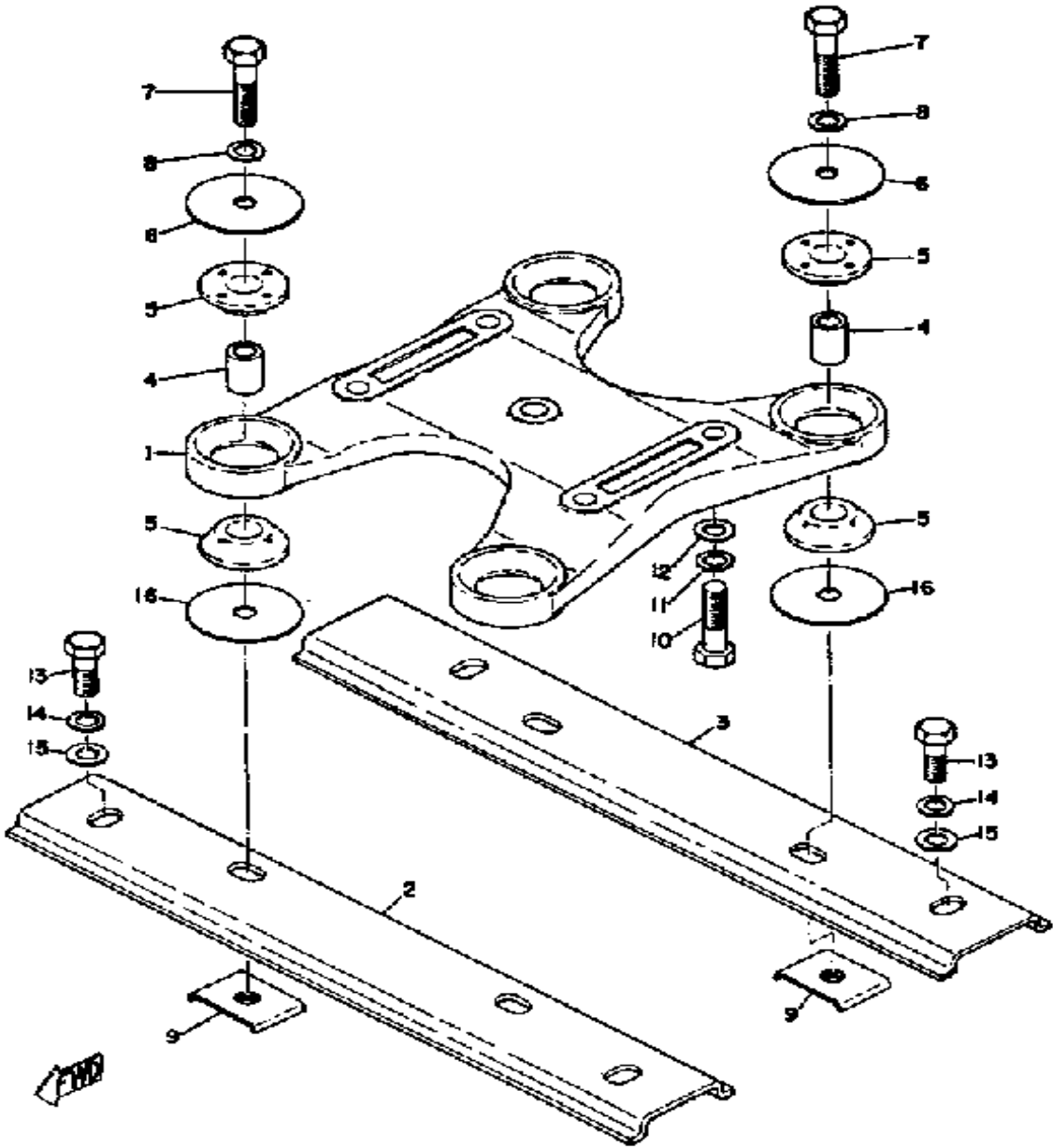
CONTINUED ON NEXT FRAME ➤

# FRAME & FRONT HOOD



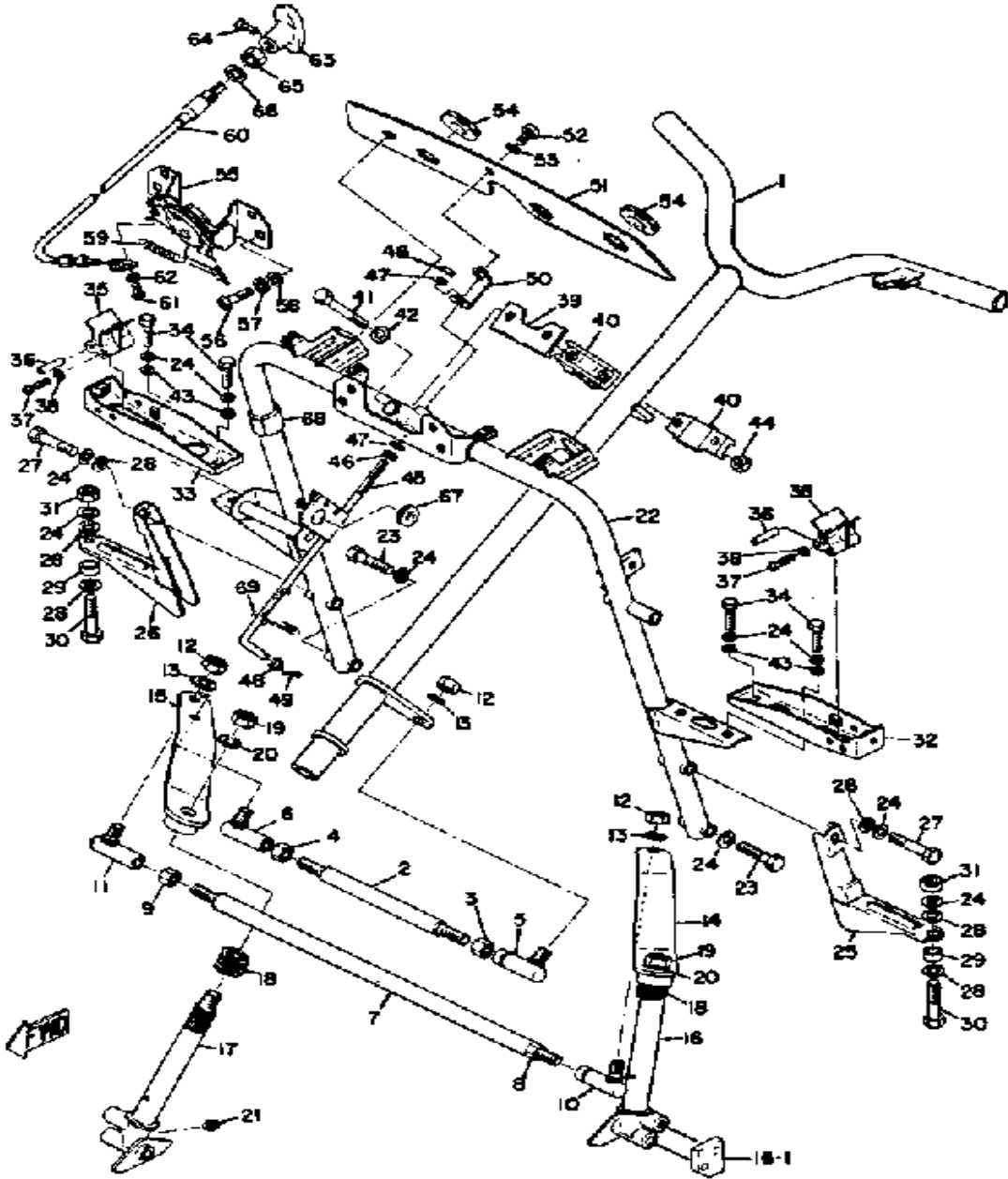
Ref. No.	Part Number	Description	Qty	Remarks
30	(802-77141-00-00)	EMBLEM 1	2	
31	(802-77592-00-00)	BRACKET, HITCH 2	1	
32	97013-06035-00	BOLT	2	
33	92995-06100-00	WASHER, SPRING	2	
34	802-77591-00-00	BRACKET, HITCH 1	1	
35	(91501-08102-00)	PIN, CLEVIS	1	
36	92990-08200-00	WASHER, PLAIN	1	
37	91490-20020-00	PIN, COTTER	1	
38	(802-77595-02-00)	FLAP	1	
39	(802-77593-00-00)	PLATE, FLAP 1	2	
40	98503-06014-00	SCREW, PAN HEAD (92502-06016)	4	
41	95380-06600-00	NUT	2	
42	92995-06100-00	WASHER, SPRING	4	
43	90180-05004-00	NUT, T (802-77217-00)	8	
44	98903-05025-00	SCREW, BIND	4	
45	(224-83372-00-00)	CLAMP, HORN LEAD	1	
46	(802-77149-00-00)	HOLDER, ROD 2	1	
47	(802-77119-00-00)	ROD 1	1	
48	91490-20020-00	PIN, COTTER	1	
49	92990-06200-00	WASHER	1	
50	97313-08012-00	BOLT	2	
51	92990-08100-00	WASHER	2	
52	(802-77144-00-00)	NUT	10	
53	(802-77143-00-00)	EMBLEM 3	10	

# ENGINE MOUNT



Ref. No.	Part Number	Description	Qty	Remarks
1	(802-21411-00-00)	BRACKET, ENGINE 1	1	
2	UNA-VAILA-BL-EI 0 0			
3	UNA-VAILA-BL-EI 0 0			
4	(90560-10022-00)	SPACER	4	
5	(801-15316-00-00)	DAMPER, ENG MOUNT 1	8	
6	UNA-VAILA-BL-EI 0 0			
7	97013-10040-00	BOLT	4	
8	92990-10100-00	WASHER, SPRING	4	
9	UNA-VAILA-BL-EI 0 0			
10	97313-10050-00	BOLT, HEXAGON (676)	5	
11	92990-10100-00	WASHER, SPRING	5	
12	92990-10200-00	WASHER, PLAIN	5	
13	97021-10018-00	BOLT	4	
14	92990-10100-00	WASHER, SPRING	4	
15	92990-10200-00	WASHER, PLAIN	4	
16	(802-21492-00-00)	WASHER, LOCK	4	

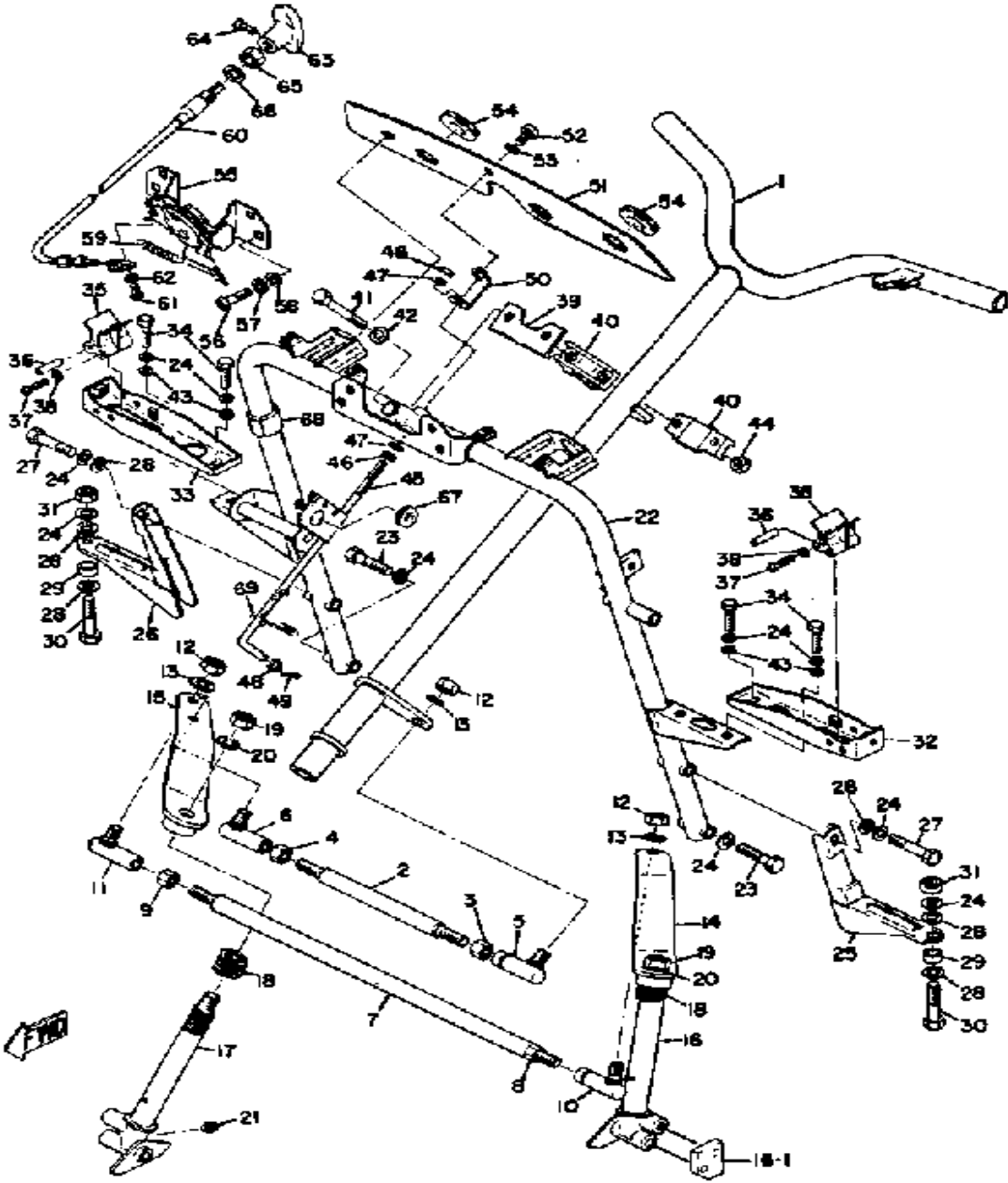
# STEERING



Ref. No.	Part Number	Description	Qty	Remarks
1	(802-23811-00-00)	COLUMN, STEERING	1	
2	802-23821-00-00	. ROD, STEERING RELAY	1	
3	(90170-10135-00)	NUT, HEXAGON	1	
4	90170-10082-00	. NUT, HEXAGON (802-23833-00)	1	
5	802-23845-90-00	. JOINT, UNIVERSAL 2 (802-23845-00)	1	
6	(806-23841-91-00)	JOINT, UNIVERSAL 1	1	
7	(802-23831-00-00)	ROD, TIE	1	
8	(90170-10135-00)	NUT, HEXAGON	1	
9	90170-10082-00	. NUT, HEXAGON (802-23833-00)	1	
10	802-23845-90-00	. JOINT, UNIVERSAL 2 (802-23845-00)	1	
11	(806-23841-91-00)	JOINT, UNIVERSAL 1	1	
12	95303-10600-00	NUT (95301-10600)	4	
13	92990-10100-00	WASHER, SPRING	4	
14	(802-23851-00-00)	ARM, OUTSIDE 1	1	
15	UNA-VAILA-BL-EI	0 0		
16	UNA-VAILA-BL-EI	0 0		
17	(802-23854-00-00)	COLUMN, SKI 2	1	
	(802-23854-01-00)	COLUMN, SKI 2	1	
18	90501-35154-00	SPRING, COMPRESSION	2	
19	95303-12600-00	NUT	2	
20	92901-12100-00	WASHER, SPRING	2	
21	93700-06M03-00	NIPPLE, GREASE	2	
22	UNA-VAILA-BL-EI	0 0		
23	97313-08040-00	BOLT, HEXAGON (97322-08040)	2	
24	92990-08100-00	WASHER	10	
25	UNA-VAILA-BL-EI	0 0		

CONTINUED ON NEXT FRAME ►

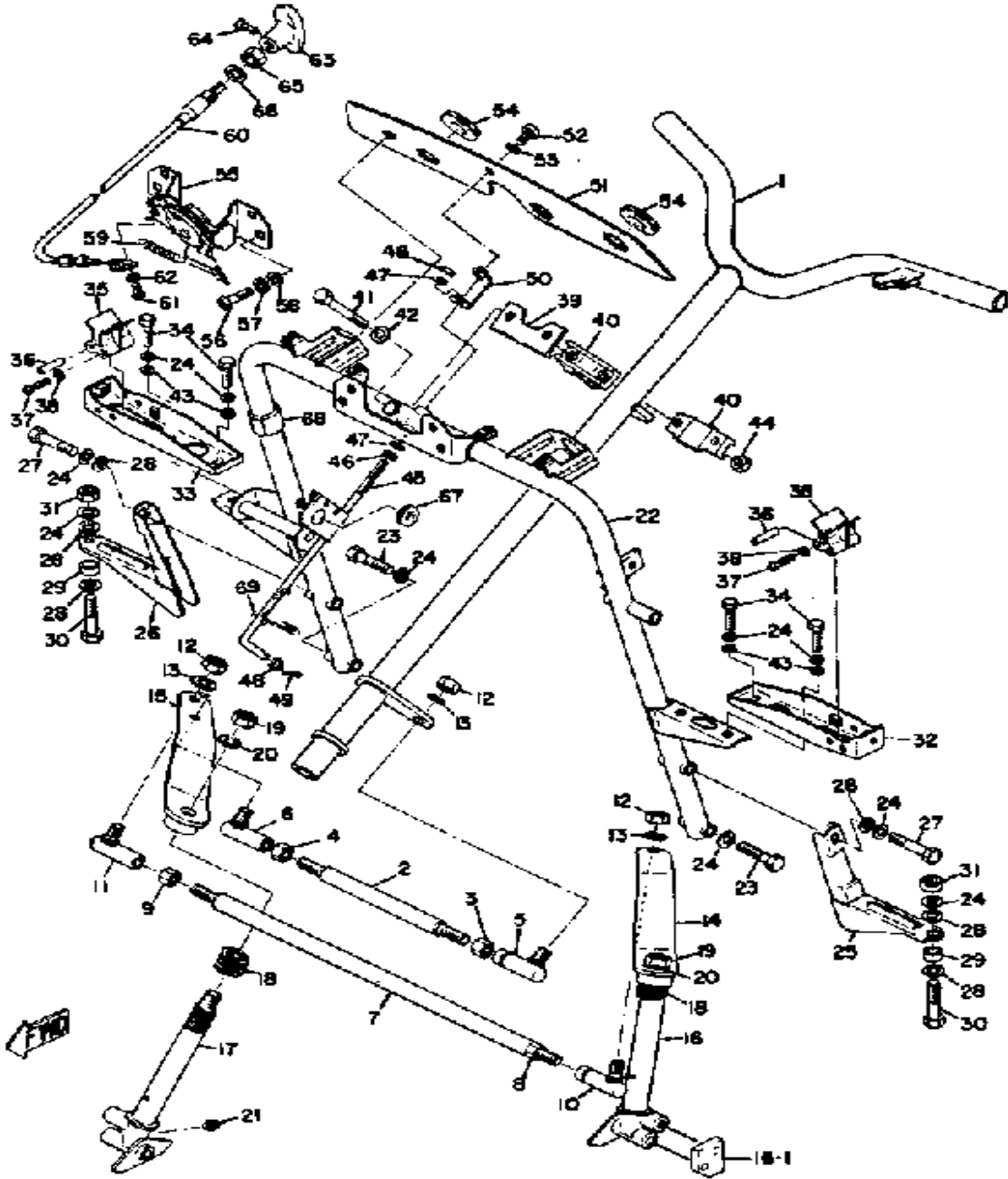
# STEERING



Ref. No.	Part Number	Description	Qty	Remarks
26	UNA-VAILA-BL-EI	0 0		
27	97313-08045-00	BOLT	2	
28	92990-08200-00	WASHER, PLAIN	6	
29	UNA-VAILA-BL-EI	0 0		
30	97313-08035-00	BOLT, HEXAGON	2	
31	95333-08600-00	NUT	2	
32	(802-77533-00-00)	BRACKET, REAR L	1	
33	(802-77534-00-00)	BRACKET, REAR R	1	
34	97313-08016-00	BOLT, HEXAGON	4	
35	(90464-09002-00)	CLAMP	2	
36	(802-77188-00-00)	STOPPER	2	
37	98580-06545-00	SCREW PAN HEAD (92503-06045)	4	
38	92995-06100-00	WASHER, SPRING	4	
39	(802-23872-00-00)	HOLDER, BEARING	1	
40	(802-23873-00-00)	BEARING, STRG UPPER	2	
41	97013-08075-00	BOLT	2	
42	92990-08100-00	WASHER	2	
43	92990-08200-00	WASHER, PLAIN	4	
44	95333-08600-00	NUT	2	
45	UNA-VAILA-BL-EI	0 0		
46	95380-06700-00	NUT	2	
47	92990-06200-00	WASHER	2	
48	92990-06200-00	WASHER	1	
49	91490-20020-00	PIN, COTTER	1	
50	UNA-VAILA-BL-EI	0 0		
51	(802-77711-00-00)	PANEL, INSTRUMENT	1	
52	98580-06012-00	SCREW, PAN HEAD	1	
53	92990-06200-00	WASHER	1	

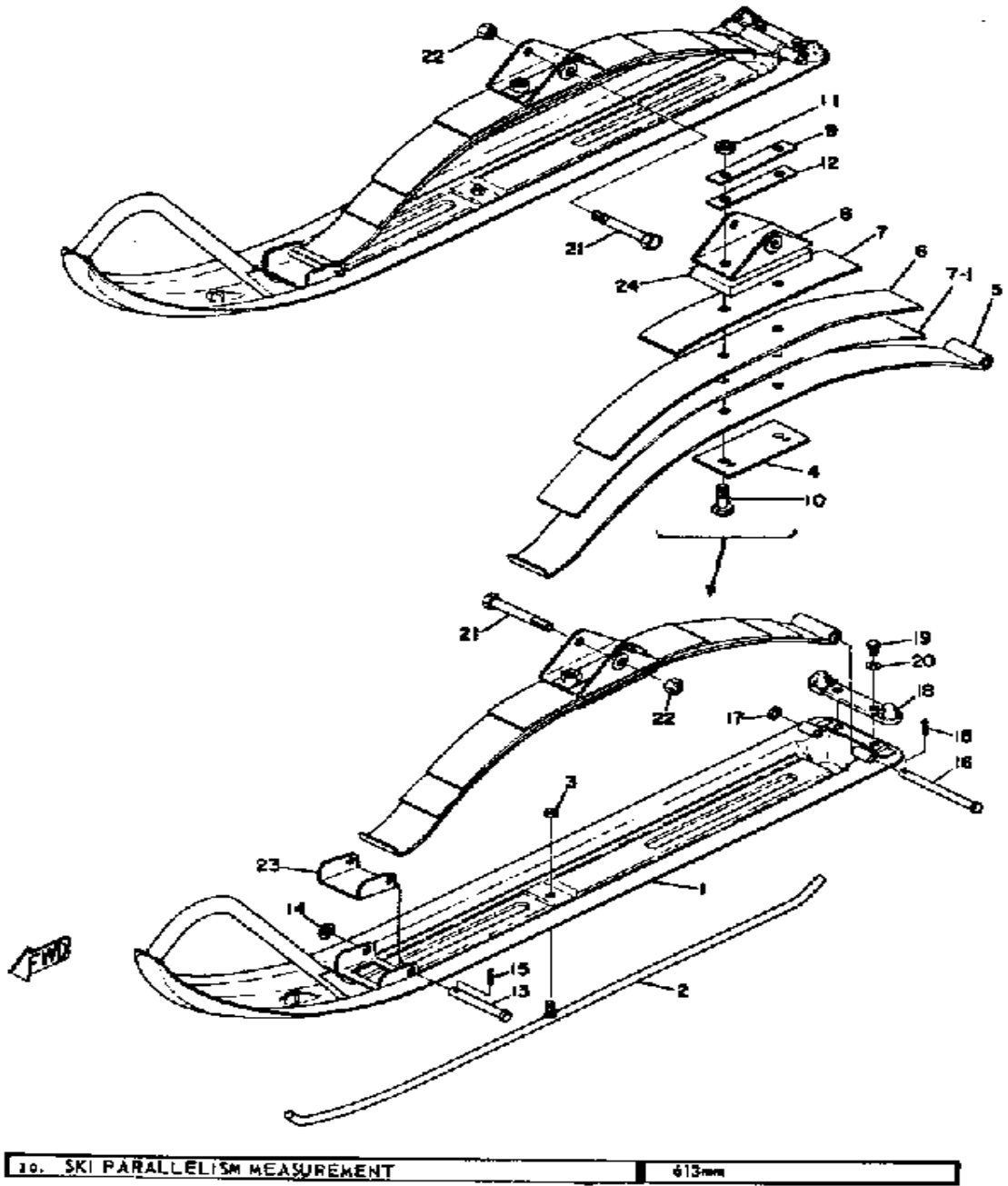
CONTINUED ON NEXT FRAME ►

# STEERING



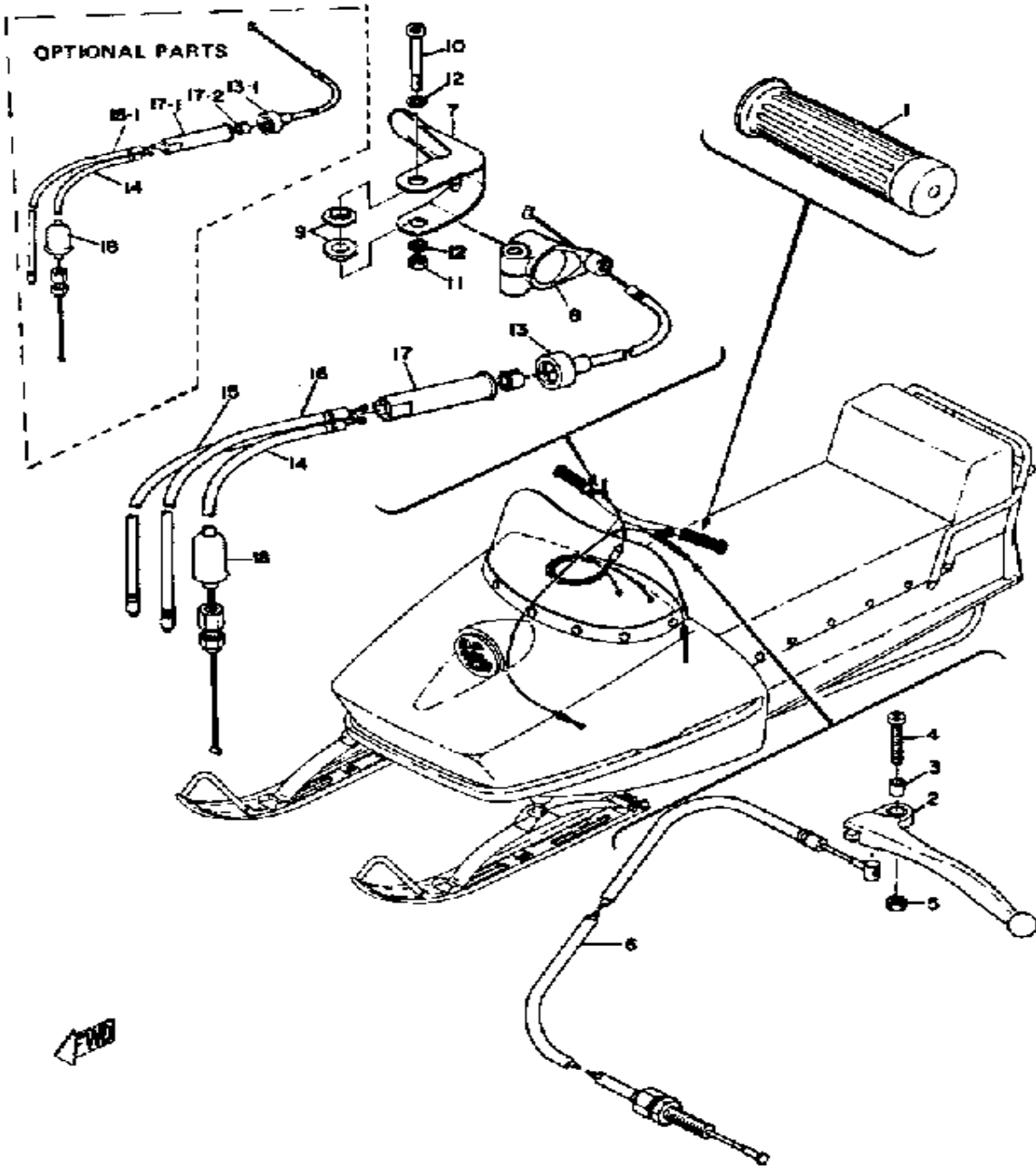
Ref. No.	Part Number	Description	Qty	Remarks
54	UNA-VAILA-BL-EI	0 0 .....		
55	(802-77170-00-00)	LATCH ASSEMBLY .....	1	
56	98580-06012-00	SCREW, PAN HEAD .....	4	
57	92995-06100-00	WASHER, SPRING .....	4	
58	UNA-VAILA-BL-EI	0 0 .....		
59	90506-14033-00	SPRING, TENSION .....	1	
60	(802-77191-00-00)	CABLE, LATCH .....	1	
61	92503-05008-00	SCREW, PAN HEAD .....	1	
62	92990-05100-00	WASHER, SPRING .....	1	
63	(802-77192-00-00)	GRIP, LATCH CABLE .....	1	
64	98511-04006-00	. SCREW, PAN HEAD (98501-04005) .....	1	
65	95303-10700-00	NUT .....	1	
66	92990-10200-00	WASHER, PLAIN .....	1	
67	(102-82598-00-00)	GROMMET .....	1	
68	(802-21746-00-00)	DAMPER .....	1	
69	UNA-VAILA-BL-EI	0 0 .....		
16-1	UNA-VAILA-BL-EI	0 0 .....		

# STEERING SKI



Ref. No.	Part Number	Description	Qty	Remarks
1	(802-23710-00-00)	SKI 1	2	
	(838-23710-01-00)	SKI 1	2	
2	(802-23731-00-00)	RUNNER 1	2	
3	95701-06300-00	NUT, NYLON	2	
4	802-23768-00-00	. SEAT, SPRING 1	2	
5	(802-23761-00-00)	LEAF 1	2	
6	UNA-VAILA-BL-EI	0 0		
7	UNA-VAILA-BL-EI	0 0		
8	(802-23766-90-00)	SADDLE 1	2	
9	(802-23779-00-00)	WASHER	2	FOR 3 LEAF SPRINGS
10	90101-10060-00	. BOLT	4	
	90109-105E7-00	. BOLT	2	FOR 4 LEAF SPRINGS
11	95303-10600-00	. NUT (95301-10600)	4	
12	UNA-VAILA-BL-EI	0 0		
13	90240-08035-00	PIN, CLEVIS (801-23733-00)	2	
14	92990-08200-00	WASHER, PLAIN	2	
15	91401-30020-00	PIN, COTTER	4	
16	(801-23734-00-00)	PIN, RETAINING 2	2	
17	UNA-VAILA-BL-EI	0 0		
18	(802-23743-00-00)	STOPPER 1	2	
19	97011-06010-00	BOLT	4	
20	92995-06100-00	WASHER, SPRING	4	
21	(90102-10013-00)	BOLT, WITH HOLE	2	
22	90185-10017-00	NUT, SELF-LOCKING	2	
23	802-23735-00-00	PLATE, WEAR 1	2	
24	UNA-VAILA-BL-EI	0 0		
-1	UNA-VAILA-BL-EI	0 0		
-2	(802-23770-00-00)	SPRING ASSEMBLY 2	1	
7-1	(802-23764-00-00)	LEAF 4	2	

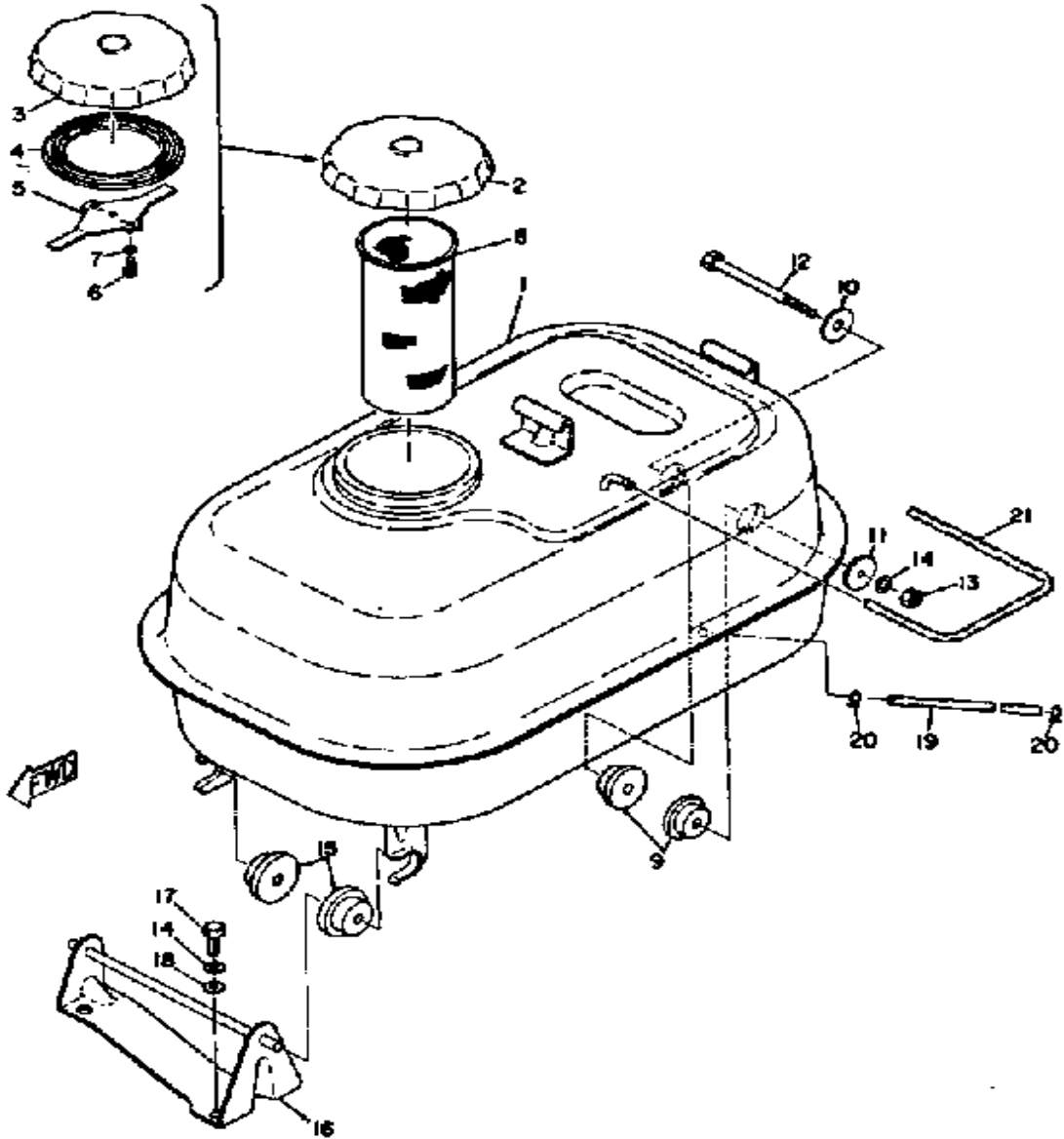
# GRIP & WIRING



Ref. No.	Part Number	Description	Qty	Remarks
1	801-26241-01-00	GRIP .....	2	
2	803-83912-00-38	LEVER 1 .....	1	
3	802-83913-00-00	COLLAR, LEVER 1 .....	1	
4	98580-05020-00	SCREW, PAN HEAD .....	1	
5	95311-05700-00	NUT .....	1	
6	(802-26340-00-00)	CABLE, BRAKE .....	1	
7	UNA-VAILA-BL-EI	0 0 .....		
8	806-82821-00-00	HOLDER, LEVER 2 .....	1	
9	90387-062M9-00	COLLAR .....	2	
10	98580-06040-00	SCREW, pan head (92501-06040-00) .....	1	
11	95380-06700-00	NUT .....	1	
12	92990-06200-00	WASHER .....	2	
13	(802-26311-00-00)	CABLE, THROTTLE 1 .....	1	
14	(802-26320-00-00)	PUMP CABLE ASSEMBLY .....	1	
15	802-26312-00-00	CABLE, THROTTLE 2 .....	1	
16	(802-26313-00-00)	CABLE, THROTTLE 3 .....	1	
17	156-26261-01-00	CONNECTOR, CABLE .....	1	
18	(132-26329-00-00)	CAP, RUBBER .....	1	FOR OIL PUMP CABLE
-1	(802-26260-20-00)	CBLE ASSEMBLY, THRTL/PMP .....	1	FOR SINGLE CARBURETOR
13-1	(802-26311-20-00)	CABLE, THROTTLE 1 .....	1	
15-1	UNA-VAILA-BL-EI	0 0 .....		
17-1	214-26261-00-00	. CONNECTOR, CABLE .....	1	
17-2	(137-26263-01-00)	PIECE, CONNECTING .....	1	



# FUEL TANK

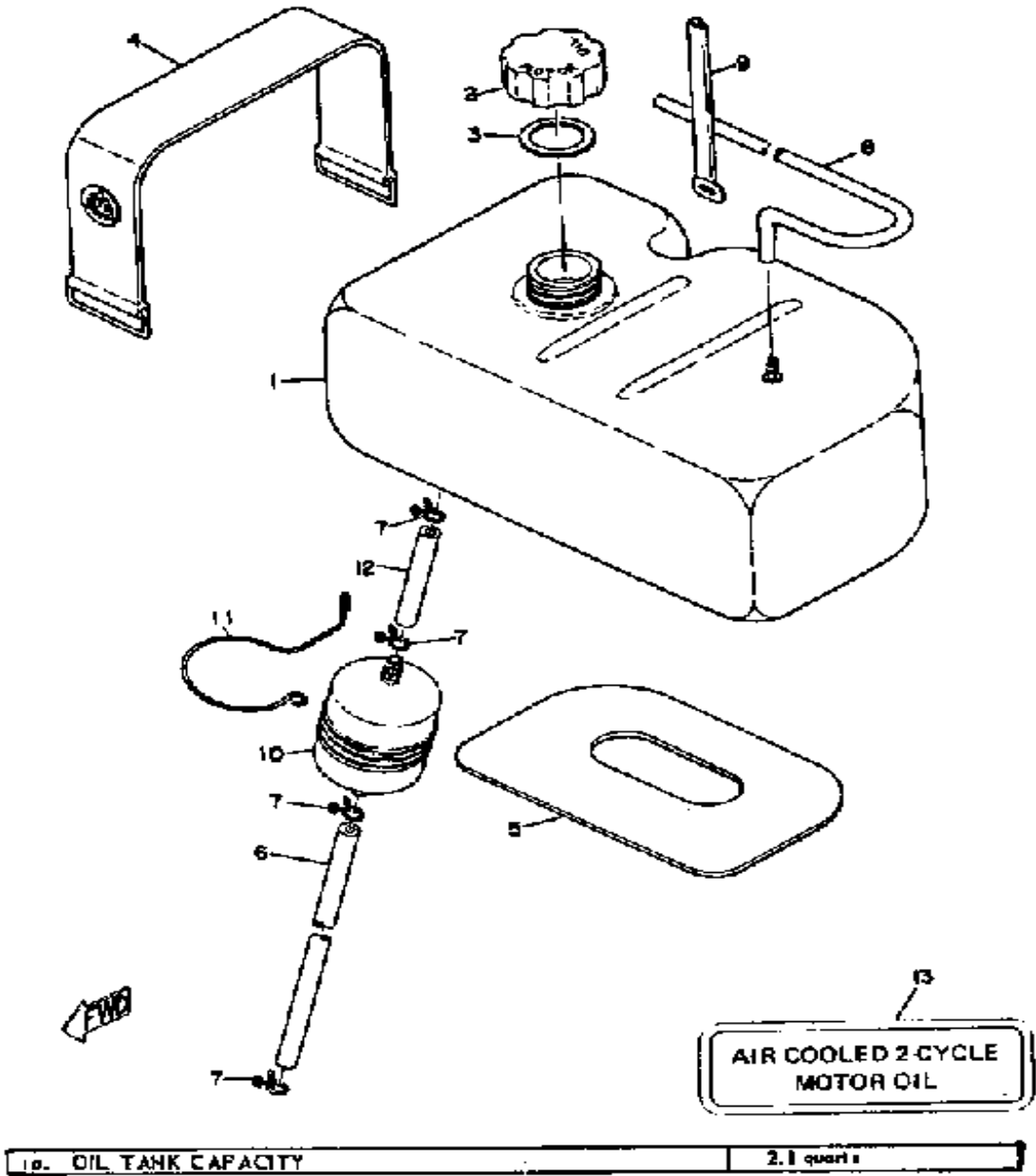


Ref. No.	Part Number	Description	Qty	Remarks
1	UNA-VAILA-BL-EI	0 0		
2	(802-24610-00-00)	CAP ASSEMBLY	1	
3	UNA-VAILA-BL-EI	0 0		
4	UNA-VAILA-BL-EI	0 0		
5	UNA-VAILA-BL-EI	0 0		
6	98580-05010-00	. SCREW, PAN HEAD	2	
7	92990-05100-00	. WASHER, SPRING	2	
8	802-24167-00-00	STRAINER	1	
9	(137-24181-00-00)	DAMPER, LOCATING 1	2	
10	90201-08107-00	WASHER, PLATE	1	
11	90201-06072-00	WASHER, PLATE	1	
12	(90109-06026-00)	BOLT	1	
13	95380-06600-00	NUT	1	
14	92995-06100-00	WASHER, SPRING	3	
15	(802-24181-00-00)	DAMPER, LOCATING 1	2	
16	UNA-VAILA-BL-EI	0 0		
17	97011-06010-00	BOLT	2	
18	92990-06200-00	WASHER	2	
19	UNA-VAILA-BL-EI	0 0		
20	90467-08003-00	CLIP	1	
21	UNA-VAILA-BL-EI	0 0		

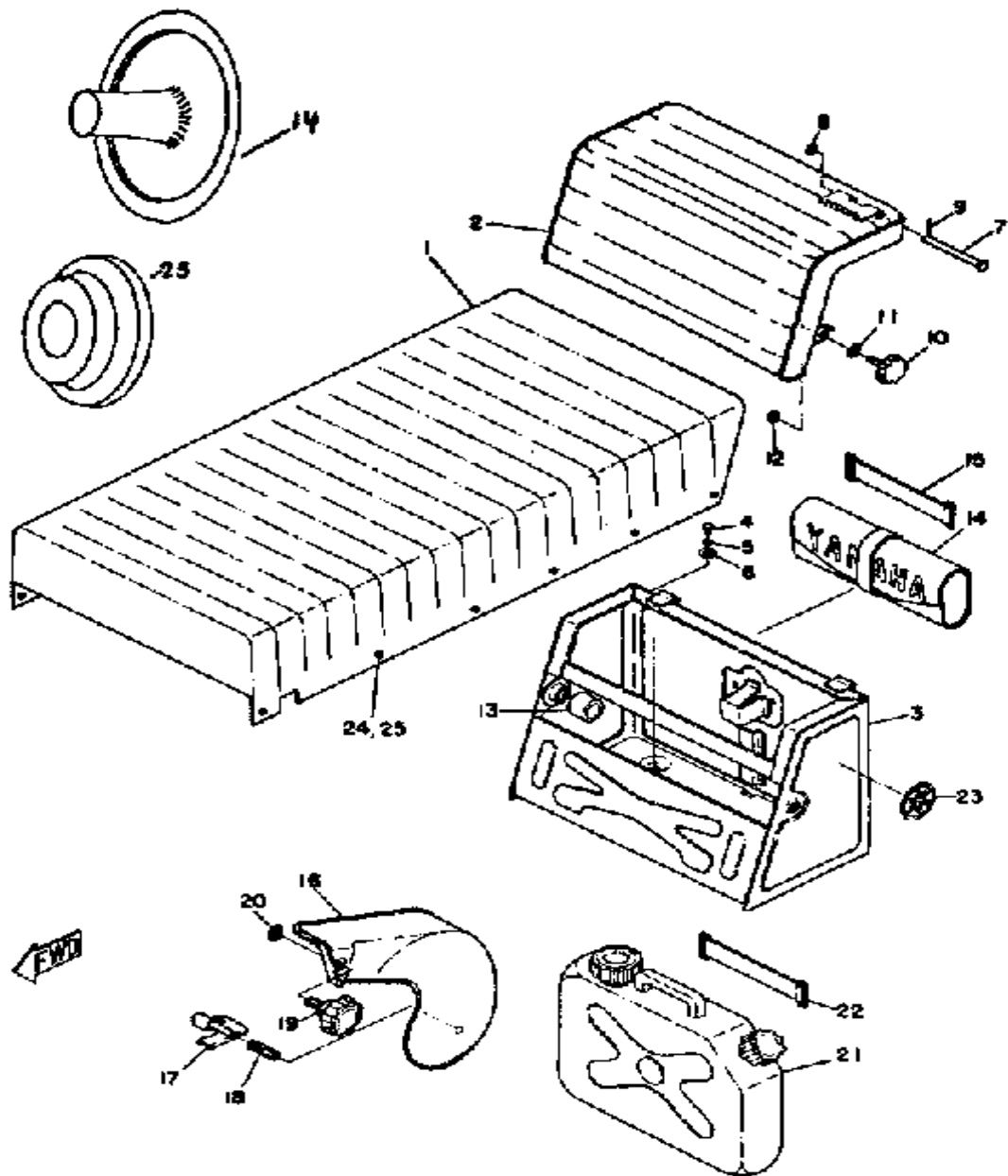
11. FUEL TANK CAPACITY & FUEL GRADE	4.0 gal. (over 85 octane)
-------------------------------------	---------------------------

# OIL TANK

Ref. No.	Part Number	Description	Qty	Remarks
1	UNA-VAILA-BL-EI	0 0 .....		
2	802-21771-00-00	BODY, CAP .....	1	
3	(802-21772-00-00)	GASKET, CAP .....	1	
4	(802-21776-00-00)	BAND, TANK FITTING .....	1	
5	(802-21778-00-00)	DAMPER, LOCATING 1 .....	1	
6	90445-09124-00	HOSE .....	1	
7	90467-08003-00	CLIP .....	4	
8	UNA-VAILA-BL-EI	0 0 .....		
9	437-83936-01-00	BAND, SWITCH CORD .....	1	
10	UNA-VAILA-BL-EI	0 0 .....		
11	UNA-VAILA-BL-EI	0 0 .....		
12	(802-24321-00-00)	PIPE 0 .....	1	
13	UNA-VAILA-BL-EI	0 0 .....		

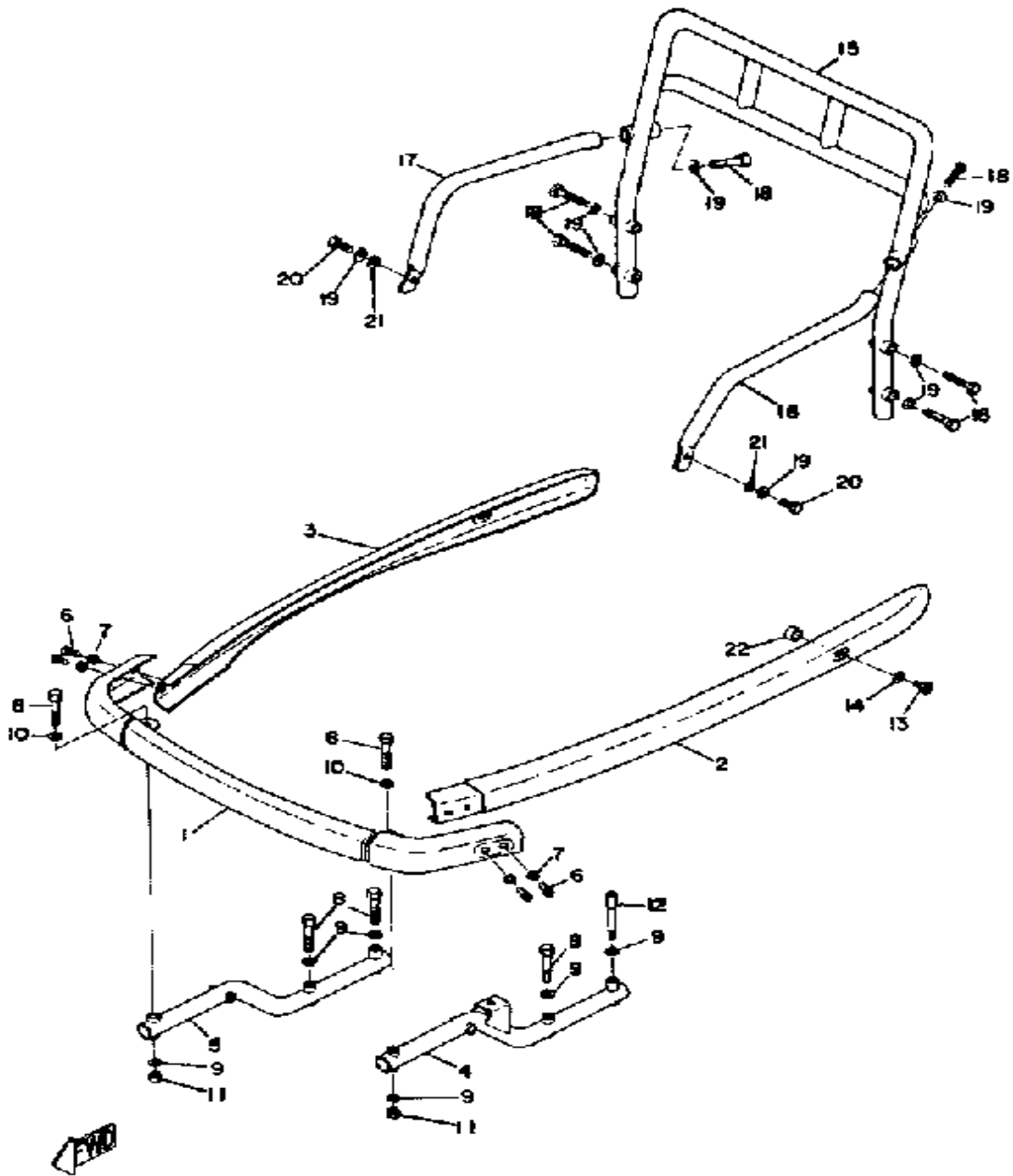


# SEAT, TOOL & DRIVE GUARD



Ref. No.	Part Number	Description	Qty	Remarks
1	UNA-VAILA-BL-EI	0 0 .....		
2	UNA-VAILA-BL-EI	0 0 .....		
3	UNA-VAILA-BL-EI	0 0 .....		
4	97013-06012-00	BOLT .....	4	
5	92995-06100-00	WASHER, SPRING .....	4	
6	92990-06200-00	WASHER .....	4	
7	91701-05055-00	PIN, CLEVIS .....	2	
8	92990-05200-00	WASHER, PLAIN .....	2	
9	91490-12012-00	PIN, COTTER .....	2	
10	802-24717-00-00	BOLT, SEAT FITTING .....	2	
11	(90202-08020-00)	WASHER, PLATE .....	2	
12	90179-08035-00	NUT, SPEC'L SHAPE .....	2	
13	UNA-VAILA-BL-EI	0 0 .....		
14	(802-28100-00-00)	TOOL KIT .....	1	
15	26H-82131-00-00	BAND, BATTERY .....	1	
16	(802-77311-01-00)	GUARD, DRIVE .....	1	
17	(802-77315-01-00)	BRACKET 1 .....	1	
18	(802-77319-02-00)	DAMPER 1 .....	1	
19	(116-21714-00-00)	KNOB, SIDE COVER 1 .....	1	
20	95380-06700-00	NUT .....	1	
21	(806-24200-00-00)	FUEL TANK ASSEMBLY .....	1	
22	26H-82131-00-00	BAND, BATTERY .....	1	
23	UNA-VAILA-BL-EI	0 0 .....		
24	UNA-VAILA-BL-EI	0 0 .....		
25	UNA-VAILA-BL-EI	0 0 .....		
1-1	UNA-VAILA-BL-EI	0 0 .....		
2-1	UNA-VAILA-BL-EI	0 0 .....		

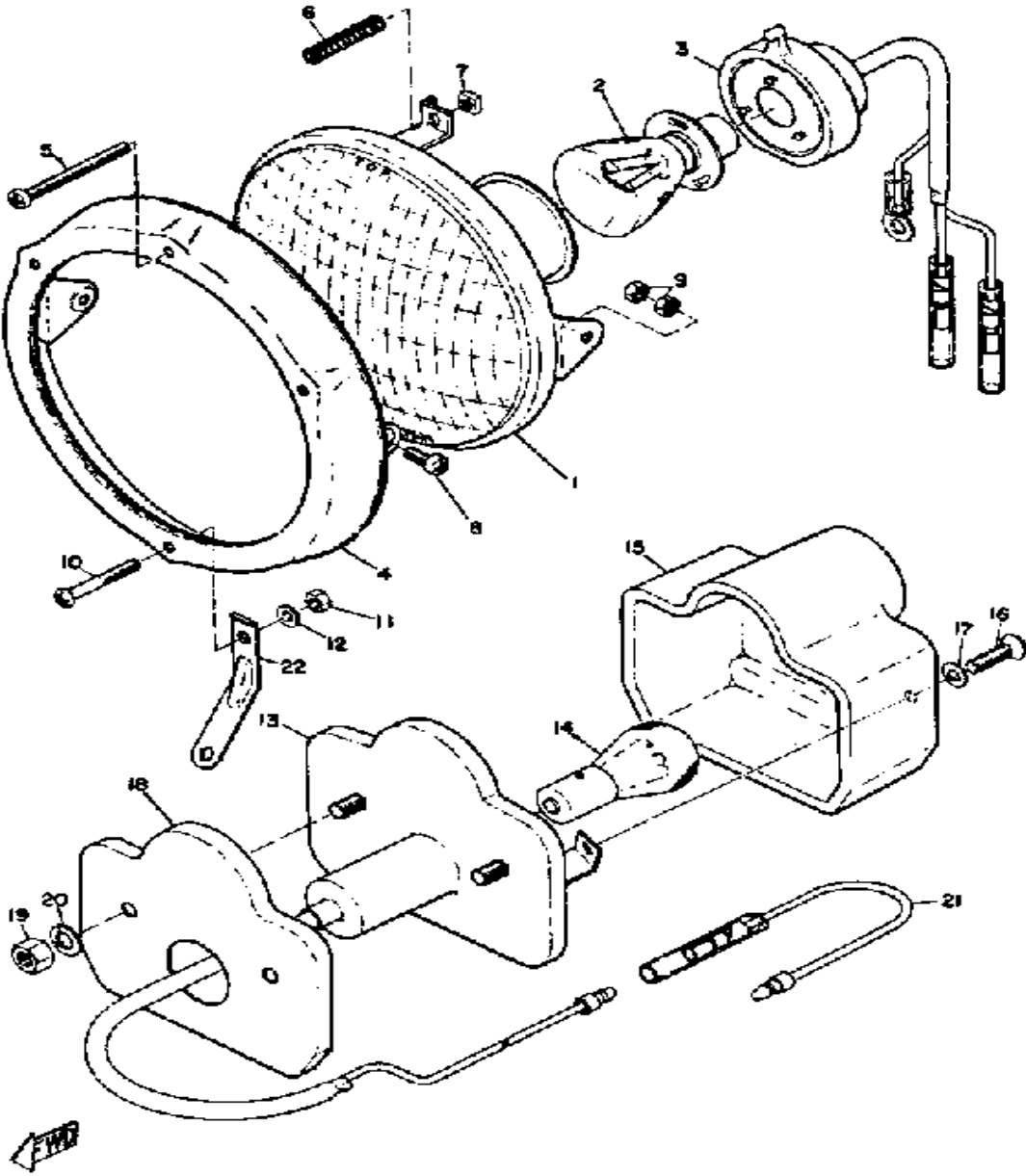
# BUMPER



Ref. No.	Part Number	Description	Qty	Remarks
1	(802-77510-00-00)	FRONT BUMPER .....	1	
2	(802-77512-00-00)	BUMPER, FRONT 2 .....	1	
3	(802-77513-00-00)	BUMPER, FRONT 3 .....	1	
4	(802-77531-00-00)	BRACKET, FRONT L .....	1	
5	(802-77532-00-00)	BRACKET, FRONT R .....	1	
6	98903-06010-00	SCREW, BIND .....	4	
7	92990-06200-00	WASHER .....	4	
8	97313-08045-00	BOLT .....	5	
9	92990-08100-00	WASHER .....	6	
10	92990-08200-00	WASHER, PLAIN .....	2	
11	95303-08700-00	NUT .....	2	
12	(90109-08278-00)	BOLT .....	1	
13	(91903-08030-00)	SCREW, BIND .....	2	
14	92990-08200-00	WASHER, PLAIN .....	2	
15	(802-77541-00-00)	BUMPER, REAR 1 .....	1	
16	(802-77571-00-00)	GRIP, ASSIST 1 .....	1	
17	(802-77572-00-00)	GRIP, ASSIST 2 .....	1	
18	97313-08045-00	BOLT .....	6	
19	92990-08100-00	WASHER .....	8	
20	97013-08025-00	BOLT .....	2	
21	92990-08200-00	WASHER, PLAIN .....	2	
22	(90560-09018-00)	SPACER .....	2	

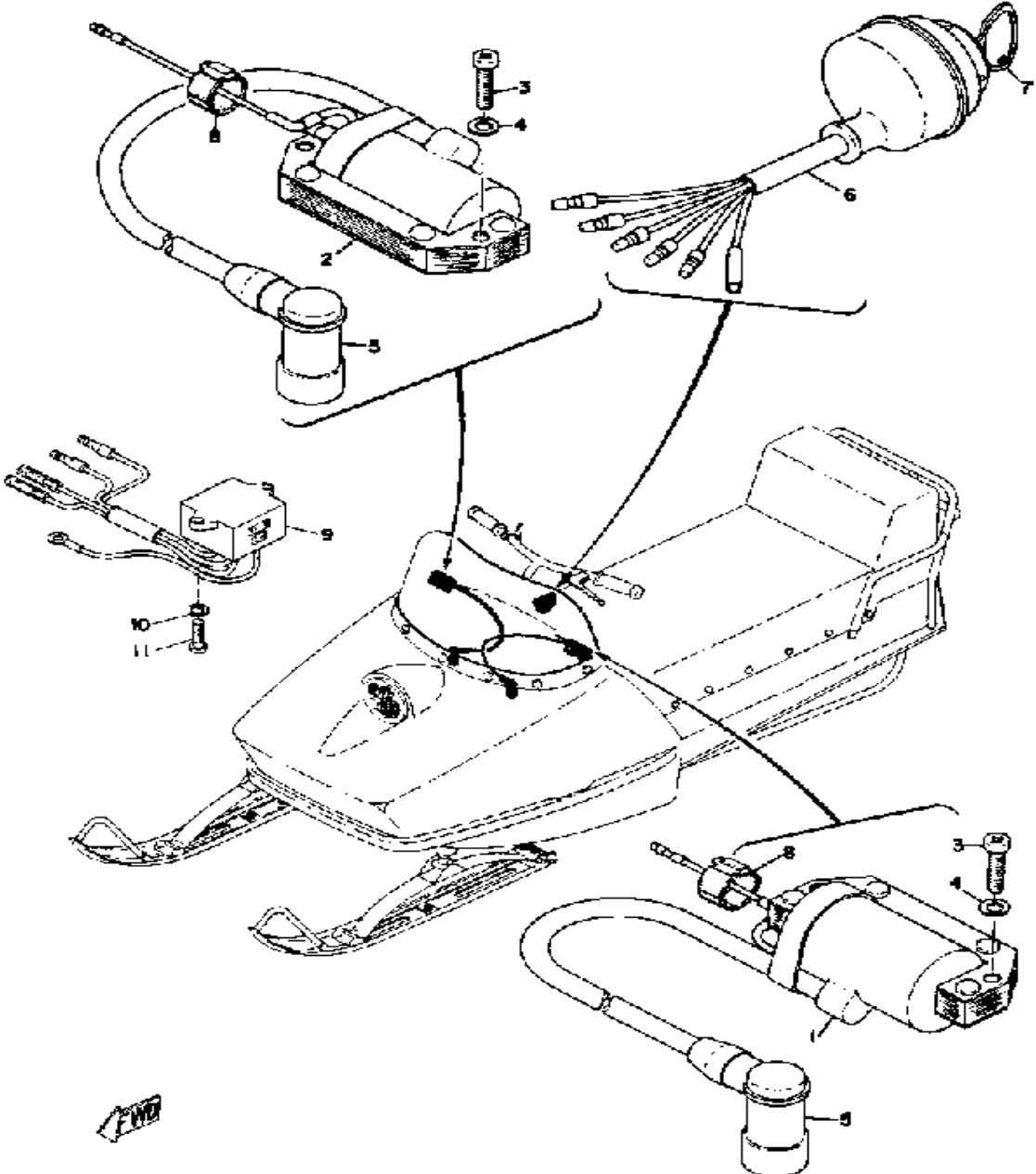
# HEAD LAMP & TAIL LAMP

Ref. No.	Part Number	Description	Qty	Remarks
1	(802-84120-00-00)	LENS ASSEMBLY .....	1	
2	214-84114-60-00	. BULB, HL6V35/35W .....	1	
3	(802-84112-00-00)	SOCKET .....	1	
4	(802-84115-00-00)	RIM, HEADLIGHT .....	1	
5	1M1-84524-60-00	. SCREW, LENS FITTING .....	1	
6	(207-84132-60-00)	SPRING, SCREW .....	1	
7	207-84131-61-00	. UNAVAILABLE IN PRICE BOOK .....	1	
8	98580-04010-00	. SCREW, PAN HEAD .....	2	
9	95301-04600-00	. NUT .....	4	
10	98511-04030-00	SCREW, PAN HEAD .....	3	
11	95301-04600-00	NUT .....	3	
12	92990-04200-00	WASHER, PLAIN .....	3	
13	UNA-VAILA-BL-EI	0 0 .....		
14	122-84514-30-00	. BULB .....	1	
15	(124-84521-60-00)	LENS, TAILLIGHT .....	1	
16	(197-84724-60-00)	SCREW, LENS FITTING .....	2	
17	(124-84522-60-00)	WASHER .....	2	
18	(124-84516-60-00)	COVER, TAILLIGHT .....	1	
19	95380-06600-00	NUT .....	2	
20	92995-06100-00	WASHER, SPRING .....	2	
21	UNA-VAILA-BL-EI	0 0 .....		
22	(802-77139-00-00)	HOLDER, ROD 1 .....	1	
-1	(802-84110-00-00)	HEADLIGHT UNIT ASSEMBLY .	1	
-2	(802-84510-00-00)	TAILLIGHT UNIT ASSEMBLY ..	1	



29. HEADLIGHT RATING	6V 35 35W H1 - la beam
30. TAILLIGHT RATING	6V 5W

# ELECTRICAL



Ref. No.	Part Number	Description	Qty	Remarks
1	206-82310-41-00	IGNITION COIL ASSEMBLY ...	1	
2	(802-82320-49-00)	IGNITION COIL ASSEMBLY ...	1	
3	98580-05020-00	SCREW, PAN HEAD .....	4	
4	92990-05100-00	WASHER, SPRING .....	4	
5	56J-82370-00-00	PLUG CAP ASSEMBLY .....	2	
6	(802-82510-21-00)	MAIN SWITCH ASSEMBLY ...	1	
7	UNA-VAILA-BL-EI	0 0 .....		
8	437-83936-01-00	BAND, SWITCH CORD .....	2	
9	806-82390-20-00	SILICOM STACK ASSEMBLY .	1	
10	92990-04200-00	WASHER, PLAIN .....	2	
11	98503-04014-00	SCREW, PAN HEAD .....	2	
6-1	806-82516-00-00	COLLAR, MAIN SWITCH .....	1	