



**YAMAHA**

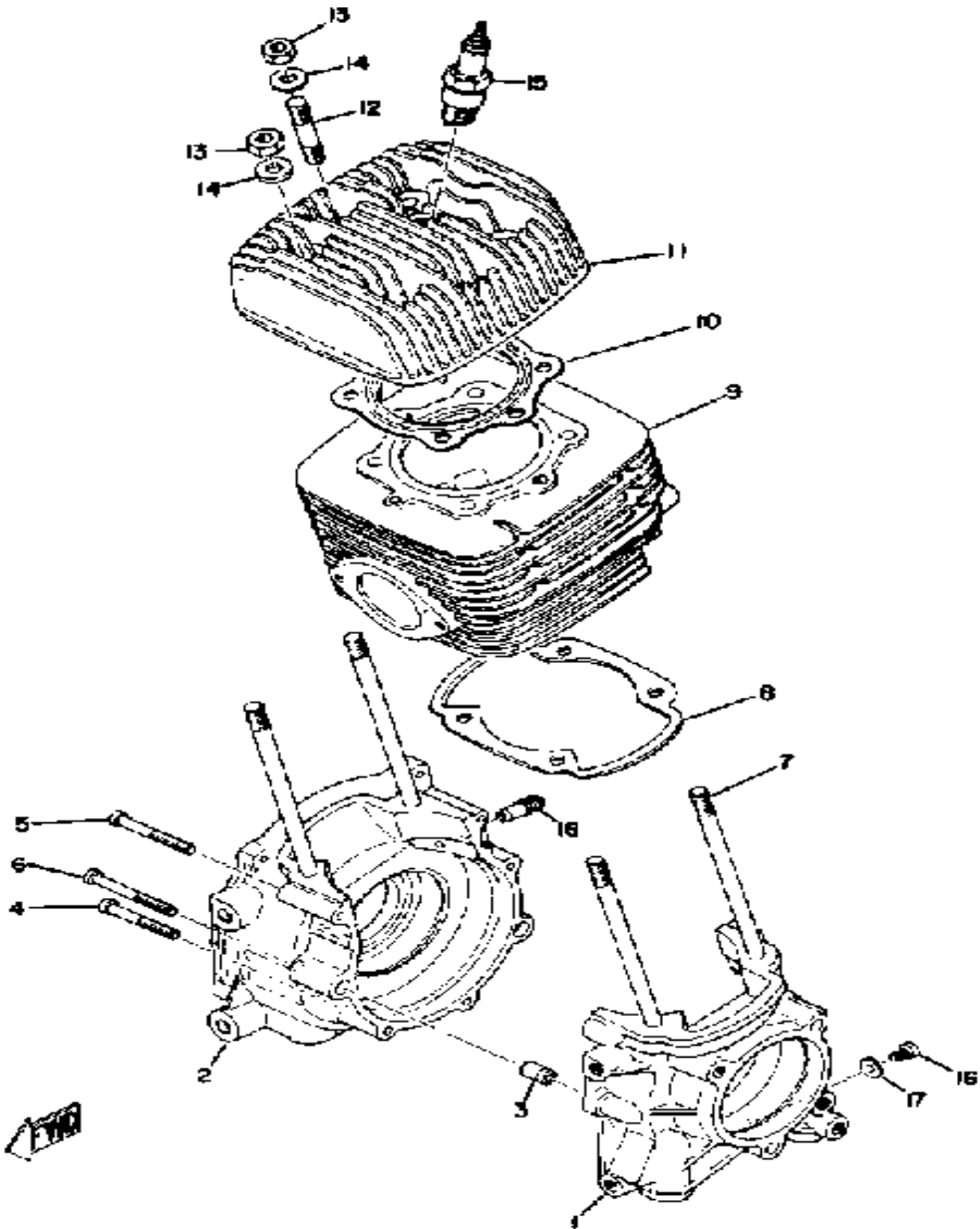
**GENUINE**

**PARTS CATALOGUE**

**SNOWMOBILE**

Property of [www.SmallEngineDiscount.com](http://www.SmallEngineDiscount.com) - Not for Resale

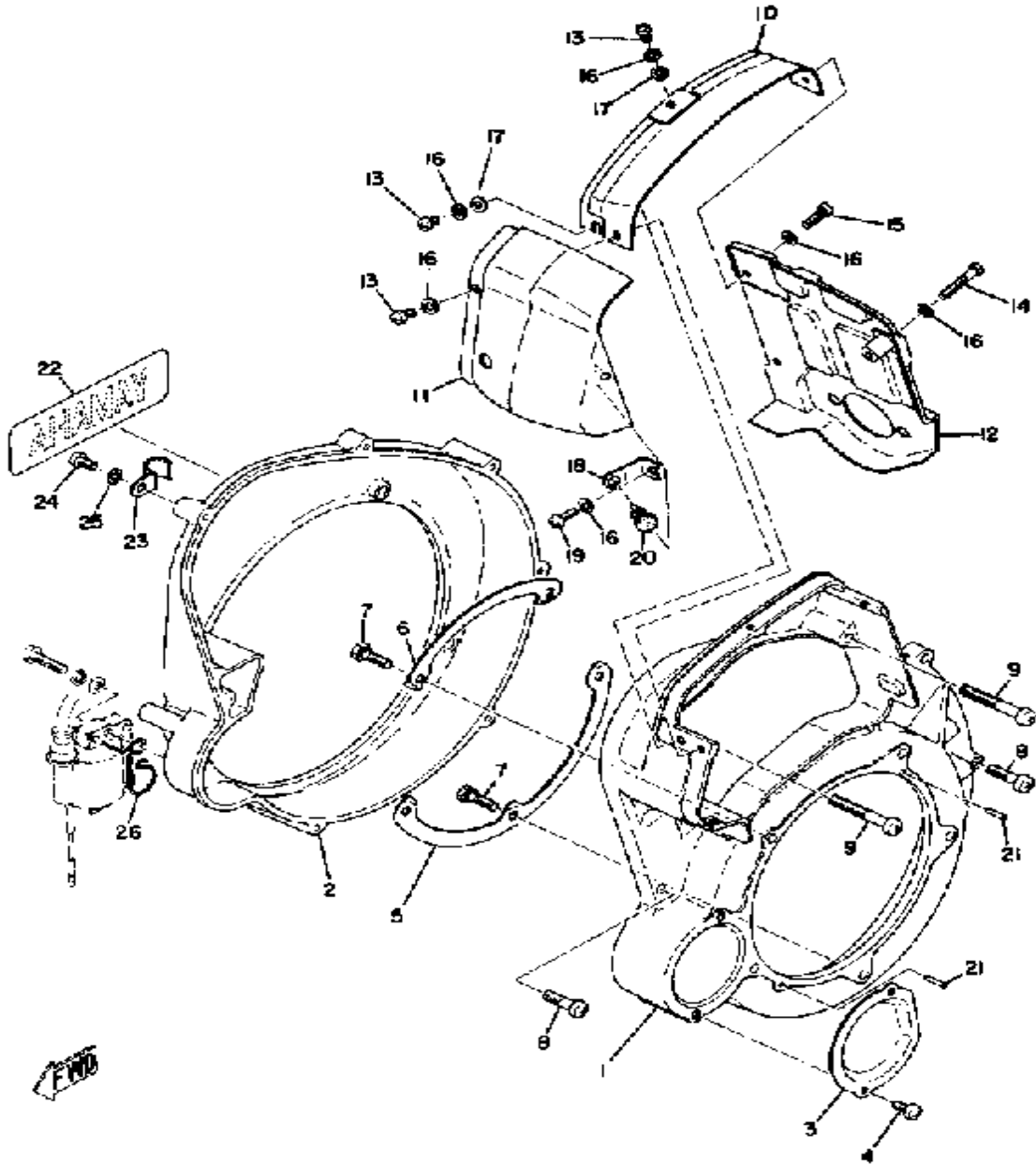
# CRANKCASE - CYLINDER



Ref. No.	Part Number	Description	Qty	Remarks
3	99530-10014-00	PIN, DOWEL .....	2	
4	98580-06545-00	SCREW PAN HEAD (92503-06045) .....	3	
5	98580-06550-00	SCREW PAN HEAD (92503-06050) .....	2	
6	98580-06055-00	SCREW, pan head (92501-06065-00) .....	2	
7	(90116-08083-00)	BOLT, STUD .....	4	
8	812-11351-00-00	GASKET, CYLINDER .....	1	
9	(853-11311-00-00)	CYLINDER 1 .....	1	
10	812-11181-00-00	GASKET, CYLINDER HEAD 1 .	1	
11	(853-11111-00-00)	HEAD, CYLINDER 1 .....	1	
12	90116-08057-00	BOLT, STUD .....	2	
13	812-11171-00-00	NUT, HOLDING (812-11171-00)	6	
14	90201-08100-00	WASHER, PLATE .....	6	
15	NGK-B6ES0-00-00	NGK B6ES 4PK .....	1	
16	98580-06010-00	SCREW, PAN HEAD (92503-06010) .....	1	
17	90430-06016-00	GASKET .....	1	
18	J38-11116-00-00	JOINT, BREATHER .....	1	
-1	839-15100-00-00	CRANKCASE ASSEMBLY .....	1	

Property of [www.SmallEngineDiscount.com](http://www.SmallEngineDiscount.com) - Not for Resale

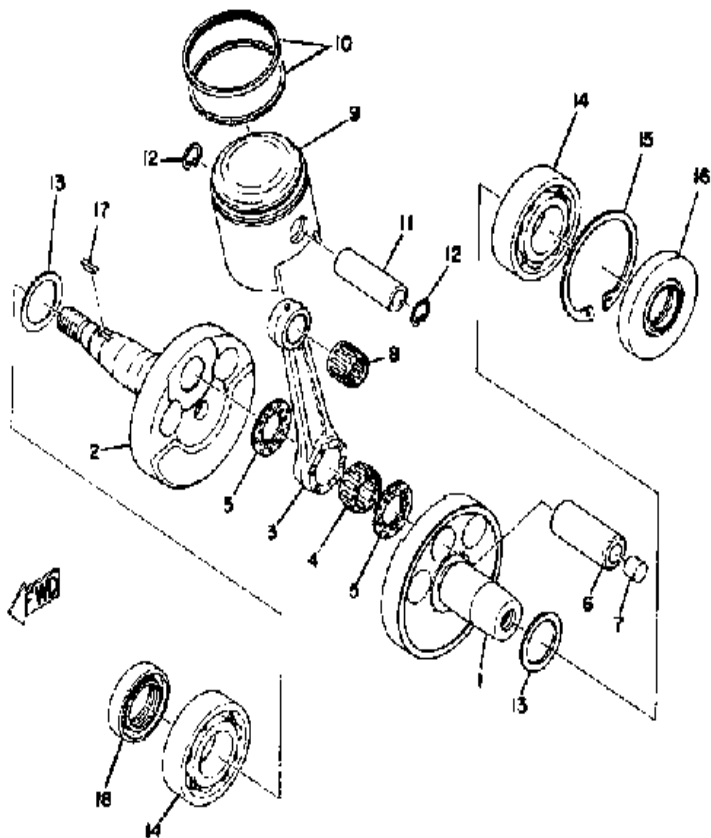
# FAN CASE - AIR SHROUD



Ref. No.	Part Number	Description	Qty	Remarks
1	839-12621-00-00	CASE, FAN .....	1	
2	867-12622-00-00	CASE, FAN 2 .....	1	
3	(812-12633-00-00)	PLATE .....	1	
4	98580-05010-00	SCREW, PAN HEAD .....	2	
5	(812-12624-00-00)	WASHER, LOCK 1 .....	1	
6	(812-12625-00-00)	WASHER, LOCK 2 .....	1	
7	(90105-06001-00)	BOLT, WASHER BASED .....	5	
8	98506-06025-00	SCREW, PAN HEAD .....	5	
9	98506-06050-00	SCREW, PAN HEAD .....	2	
10	(839-12651-00-00)	AIR SHROUD, CYLINDER 1 ...	1	
12	(839-12653-00-00)	AIR SHROUD, CYLINDER 3 ...	1	
13	98906-05012-00	SCREW, BIND .....	4	
14	(98906-05030-00)	SCREW, BIND .....	1	
15	98906-05012-00	SCREW, BIND .....	2	
16	92906-05100-00	WASHER, SPRING .....	8	
17	92906-05200-00	WASHER, PLAIN .....	3	
18	(822-12655-00-00)	STAY, CLAMP 1 .....	1	
19	98906-05012-00	SCREW, BIND .....	1	
20	(812-12658-00-00)	DAMPER, AIR SHRD 1 .....	1	
21	93604-14012-00	PIN, DOWEL .....	2	
22	(838-12629-00-00)	EMBLEM .....	1	
23	(822-82361-00-00)	CLAMP, CORD .....	1	
24	98506-06010-00	SCREW, PAN HEAD .....	1	
25	92906-06100-00	WASHER, SPRING .....	1	
26	(822-24369-01-00)	CLAMP, OIL PIPE .....	1	

Property of [www.SmallEngineDiscount.com](http://www.SmallEngineDiscount.com) - Not for Resale

# CRANK - PISTON

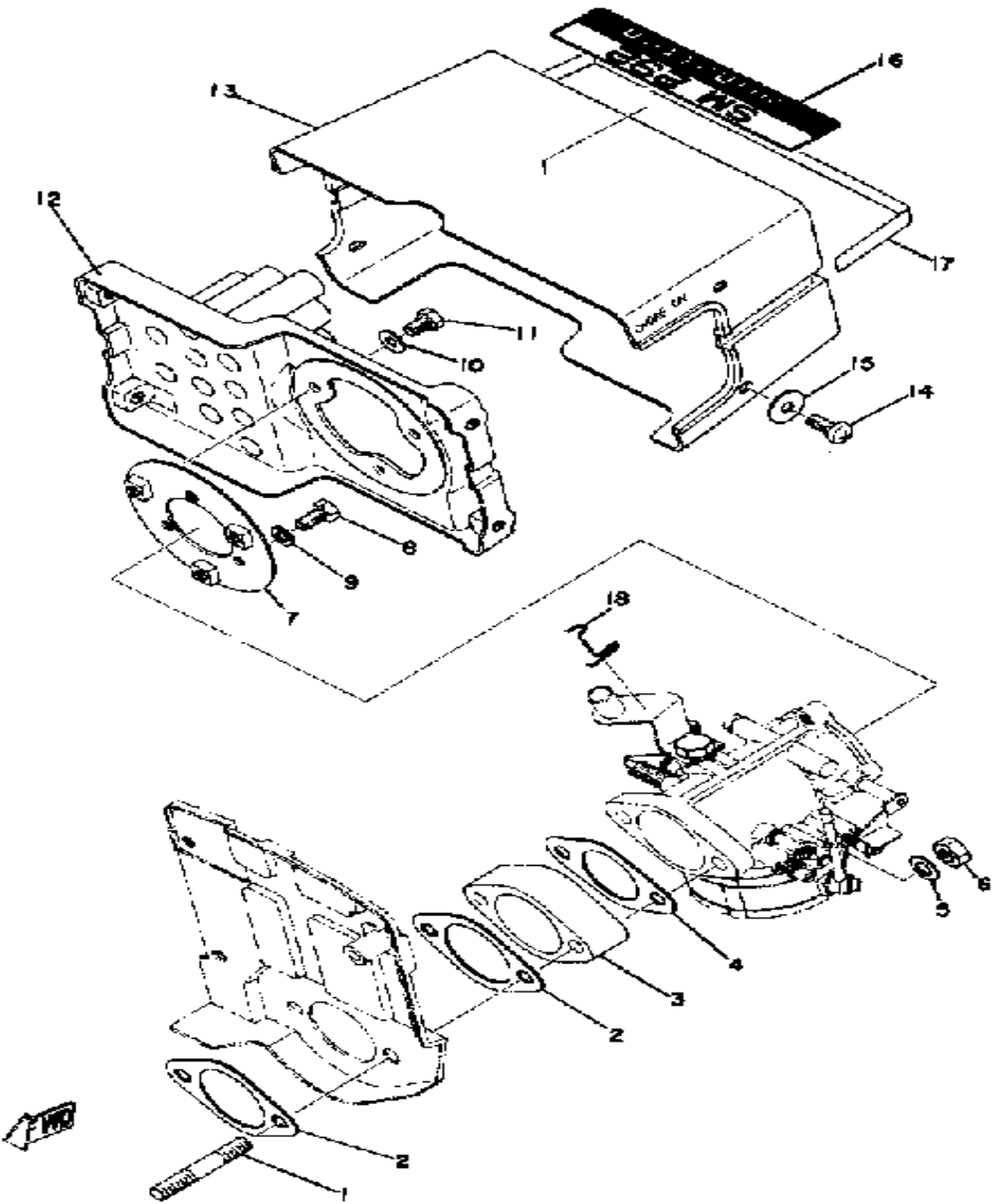


PISTON SKIRT CLEARANCE (NOMINAL) (MAX. ALLOWABLE)	0.45-0.50mm	10mm Max.
TOP RING END GAP/LAND CLEARANCE/TYPE	0.3-0.5mm	
2ND RING END GAP/LAND CLEARANCE/TYPE	0.3-0.5mm	

Ref. No.	Part Number	Description	Qty	Remarks
1	UNA-VAILA-BL-EI	0 0 .....		
2	(853-11422-00-00)	CRANK 2 .....	1	
3	839-11651-00-00	. ROD, CONNECTING .....	1	
4	93310-42497-00	. BEARING, CYLINDER.# 0 ...	1	
5	90209-24073-00	. WASHER .....	2	
6	(822-11681-00-00)	PIN, CRANK 1 .....	1	
7	(822-11682-00-00)	BUSH, CRANK PIN .....	2	
8	93310-218A6-00	BEARING .....	1	
9	(839-11637-00-00)	PISTON 3 O/S 0. 5 .....	1	ALTERNATE PART
	(839-11638-00-00)	PISTON 4 O/S 1. 0 .....	1	ALTERNATE PART
	839-11631-00-96	PISTON STD .....	1	
	839-11635-00-00	PISTON 1 O/S 0. 5 .....	1	ALTERNATE PART
	839-11636-00-00	PISTON 2 O/S 0. 0 .....	1	ALTERNATE PART
10	(839-11610-30-00)	PISTON RINGSET 3RD .....	1	ALTERNATE PART
	839-11610-00-00	PISTON RINGSET STD .....	1	
	839-11610-10-00	PISTON RINGSET 1ST .....	1	ALTERNATE PART
	839-11610-20-00	PISTON RINGSET 2ND .....	1	ALTERNATE PART
	839-11610-40-00	PISTON RINGSET 4TH .....	1	ALTERNATE PART
11	214-11633-00-00	PIN, PISTON .....	1	
12	93450-20026-00	CIRCLIP .....	2	
13	(812-11561-00-02)	SHIM, CRANK 1 .....	1	U.R.
	(812-11561-00-03)	SHIM, CRANK 1 .....	1	U.R.
14	93306-30630-00	BEARING .....	2	
15	(93420-72023-00)	CIRCLIP, R-TYPE .....	1	
16	(93102-30111-00)	OIL SEAL, SD-TYPE .....	1	
17	90280-16053-00	KEY, WOODRUFF .....	1	
18	93102-30112-00	OIL SEAL, SD-TYPE .....	1	
-1	(853-11400-00-00)	CRANKSHAFT ASSEMBLY ...	1	

Property of [www.SmallEngineDiscount.com](http://www.SmallEngineDiscount.com) - Not for Resale

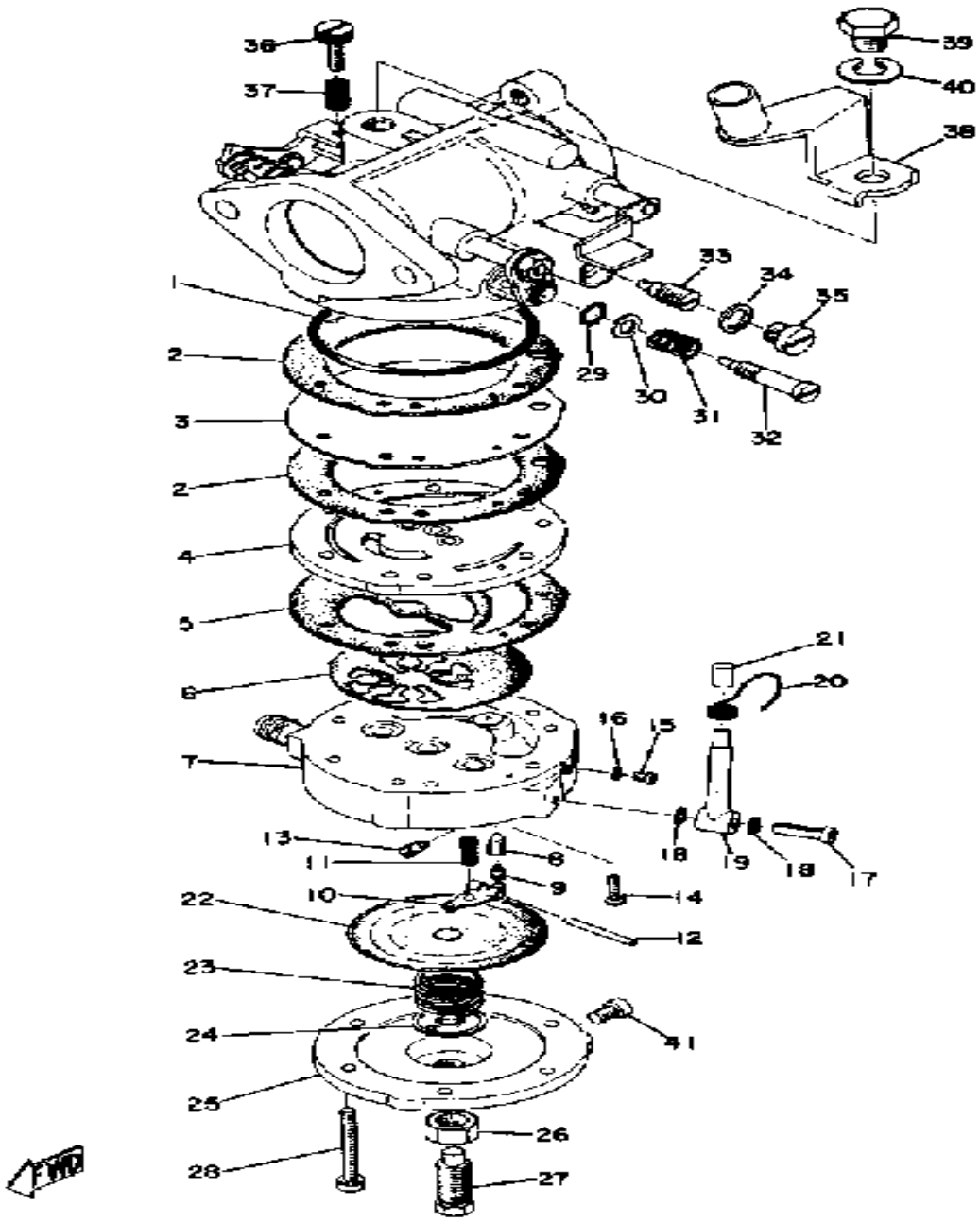
# INTAKE



Ref. No.	Part Number	Description	Qty	Remarks
1	(90116-08049-00)	BOLT, STUD .....	2	
2	839-13556-00-00	GASKET, MANIFOLD .....	2	
3	853-13555-00-00	MANIFOLD, INTAKE .....	1	
4	807-13556-00-00	GASKET, MANIFOLD .....	1	
5	92990-08100-00	WASHER .....	2	
6	95303-08700-00	NUT .....	2	
7	(853-14477-00-00)	PLATE .....	1	
8	97013-06012-00	BOLT .....	3	
9	92995-06100-00	WASHER, SPRING .....	3	
10	92990-06200-00	WASHER .....	3	
11	97013-06012-00	BOLT .....	3	
12	(867-14431-00-00)	SILENCER, INTAKE 1 .....	1	
13	(867-14441-00-00)	SILENCER, INTAKE 2 .....	1	
14	98906-06016-00	SCREW, BIND .....	4	
15	90201-06059-00	WASHER, PLATE .....	4	
16	(853-77451-00-00)	EMBLEM 1 .....	1	
17	853-77452-00-00	EMBLEM 2 .....	1	
18	822-41222-00-00	CLAMP, THROTTLE .....	1	

Property of [www.SmallEngineDiscount.com](http://www.SmallEngineDiscount.com) - Not for Resale

# CARBURETOR

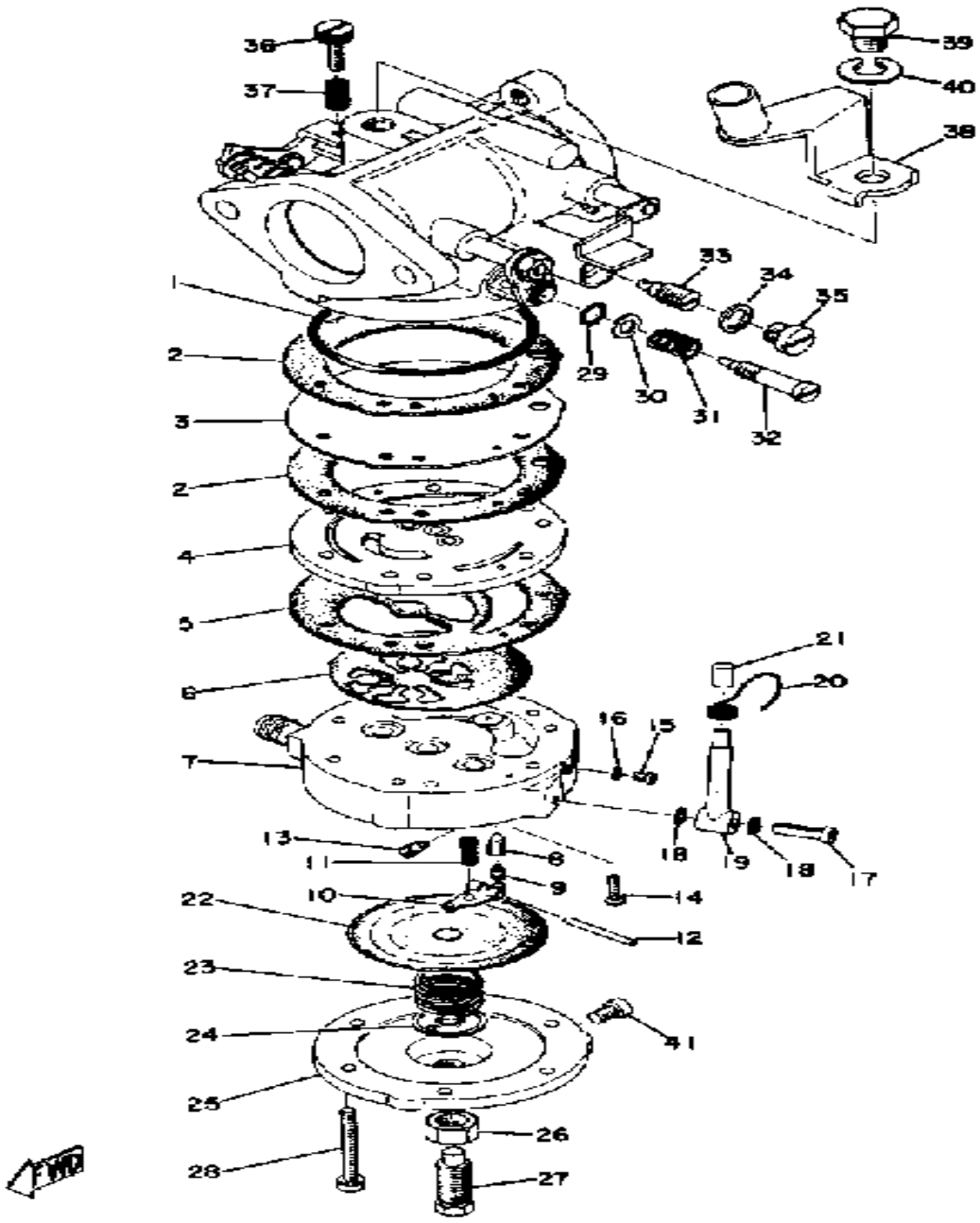


Ref. No.	Part Number	Description	Qty	Remarks
1	806-14562-00-00	. O-RING	1	
2	838-14536-00-00	. GASKET	2	
3	(853-14515-65-00)	JET # 5	1	
	834-14541-00-00	. DIAPHRAGM, PUMP	1	
4	(838-14542-00-00)	BODY, PUMP 1	1	
5	834-14553-00-00	. GASKET	1	
6	806-14552-01-00	. VALVE, CHECK	1	
7	(853-14543-01-00)	BODY, PUMP 2	1	
8	838-14546-00-00	. VALVE, NEEDLE	1	
9	676-14186-00-00	. PIN, FLOAT	1	
10	(810-14547-00-00)	ARM, FLOAT	1	
11	810-14556-00-00	. SPRING	1	
12	(806-14548-00-00)	PIN, FLOAT ARM	1	
14	98702-03008-00	. SCREW, FLAT HEAD	1	
15	(806-14567-01-00)	SCREW	1	
16	810-14597-00-00	. WASHER	1	
17	8A1-14592-00-00	. SCREW	1	
18	806-14559-00-00	. WASHER	2	
19	810-14197-02-00	. PIPE, AIRVENT	1	
20	(824-14159-00-00)	CLIP	1	
21	810-24462-01-00	. CAP, BLIND	1	
22	810-14545-00-00	. DIAPHRAGM	1	
23	(810-14555-00-00)	SPRING	1	
24	(810-14136-00-00)	SEAT, SPRING	1	
25	(810-14544-00-00)	BODY, PUMP 3	1	
26	95303-08700-00	. NUT	1	
27	824-14565-00-00	. SCREW, STOP	1	
28	(824-14567-00-00)	SCREW	6	
29	824-14563-00-00	. O-RING	1	

CONTINUED ON NEXT FRAME ➤

Property of [www.SmallEngineDiscount.com](http://www.SmallEngineDiscount.com) - Not for Resale

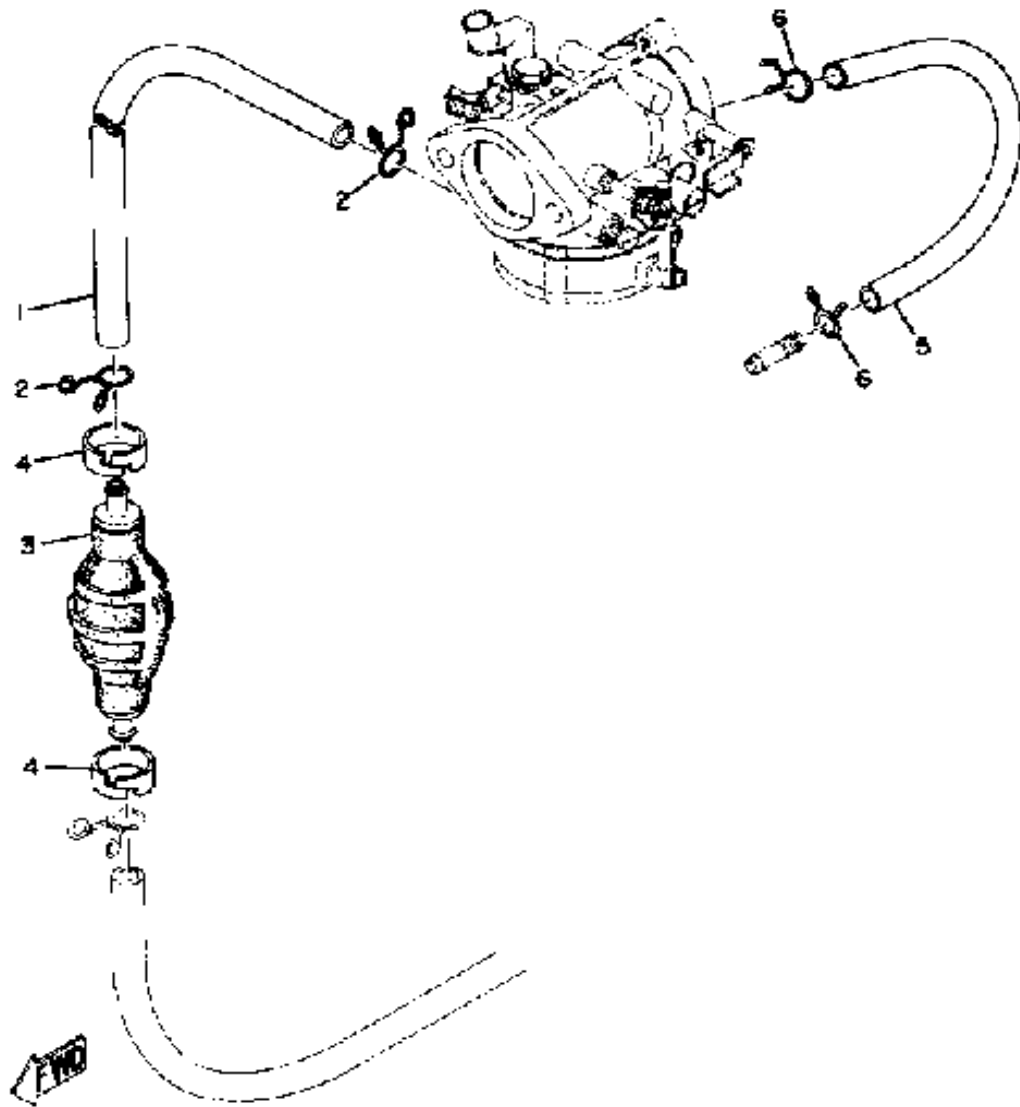
# CARBURETOR



Ref. No.	Part Number	Description	Qty	Remarks
30	838-14596-00-00	. WASHER .....	1	
31	(824-14531-00-00)	SPRING, AJST SCREW .....	1	
32	(853-14522-00-00)	SCREW, ADJUST .....	1	
33	845-14516-25-00	. JET, MAIN #125 (125) .....	1	
34	(810-14558-00-00)	WASHER .....	1	
35	(845-14567-00-00)	SCREW .....	1	
36	(810-14523-00-00)	SCREW, STOP .....	1	
37	(806-14533-00-00)	SPRING, AJST SCREW .....	1	
38	(813-14571-00-00)	BRACKET, THROTTLE .....	1	
39	97301-08010-00	. BOLT, HEXAGON .....	1	
40	92990-08100-00	. WASHER .....	1	
41	98511-04006-00	. SCREW, PAN HEAD (98501-04005) .....	1	ALTERNATE PART
-1	(867-14501-00-00)	CARBURETOR ASSEMBLY 1 .	1	

Property of [www.SmallEngineDiscount.com](http://www.SmallEngineDiscount.com) - Not for Resale





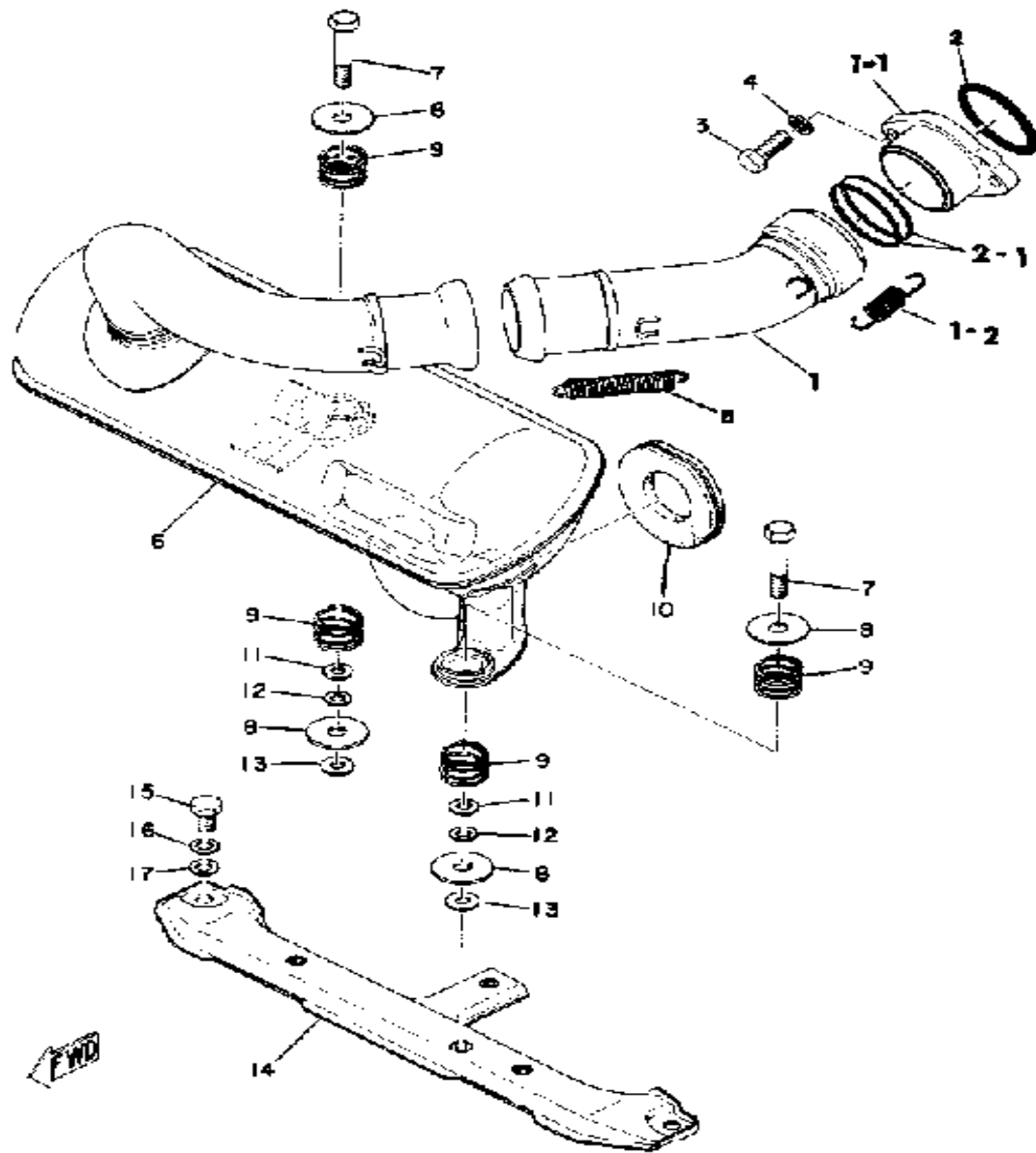
# PIPING

Ref. No.	Part Number	Description	Qty	Remarks
1	UNA-VAILA-BL-EI	0 0 .....		
2	90467-11009-00	CLIP .....	2	
3	810-24360-00-00	PRIMER PUMP ASSEMBLY ...	1	
4	(601-24353-00-00)	BAND .....	2	
5	(90445-10138-00)	HOSE .....	1	
6	90467-09006-00	CLIP .....	2	

Property of [www.SmallEngineDiscount.com](http://www.SmallEngineDiscount.com) - Not for Resale



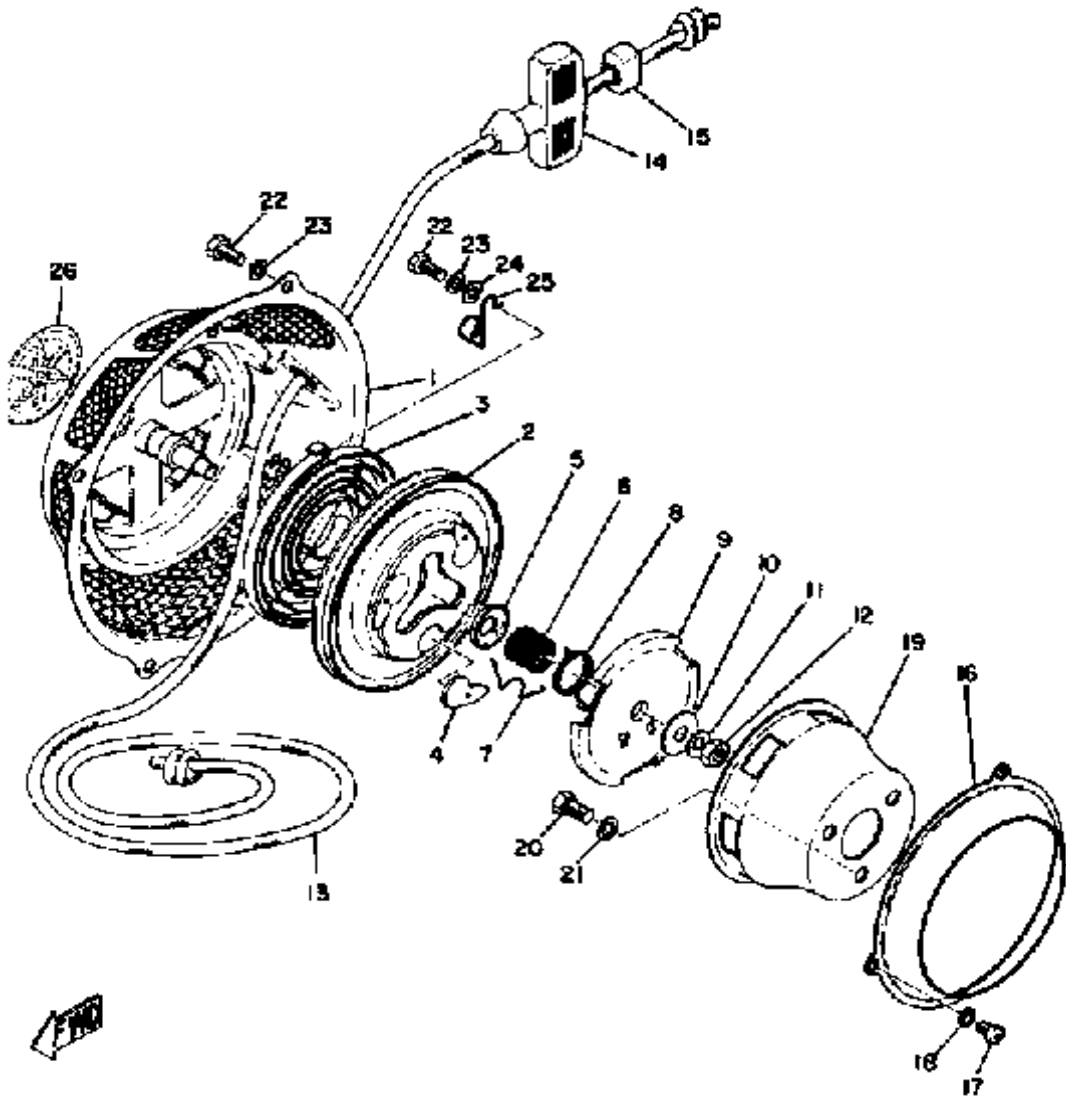
# EXHAUST



Ref. No.	Part Number	Description	Qty	Remarks
1	(853-14610-00-00)	EXHAUST PIPE ASSEMBLY L	1	
2	214-14613-00-00	GASKET, EXST PIPE	1	
3	806-14651-00-00	BOLT	2	
4	92990-08100-00	WASHER	2	
5	821-14773-00-00	SPRING, MUFFLER	2	
6	(853-14710-02-00)	MUFFLER ASSEMBLY L	1	
7	90109-08293-00	BOLT	2	
8	(853-14793-00-00)	PLATE, MUFFLER	4	
9	853-14773-02-00	SPRING, MUFFLER	4	
10	(853-14718-00-00)	PROTECTOR, MUFF 1	1	
11	(90560-08065-00)	SPACER	2	
12	92990-08100-00	WASHER	2	
13	(90201-07080-00)	WASHER, PLATE	2	
14	(841-14771-02-00)	STAY, MUFFLER 1	1	
15	97313-08018-00	BOLT, HEXAGON (97301-08016)	2	
16	92990-08100-00	WASHER	2	
17	92990-08200-00	WASHER, PLAIN	2	
1-1	(853-14612-00-00)	NUT, RING	1	
1-2	90506-20074-00	SPRING, TENSION	2	
2-1	(812-14623-00-00)	GASKET, EXST PIPE	2	

Property of [www.SmallEngineDiscount.com](http://www.SmallEngineDiscount.com) - Not for Resale

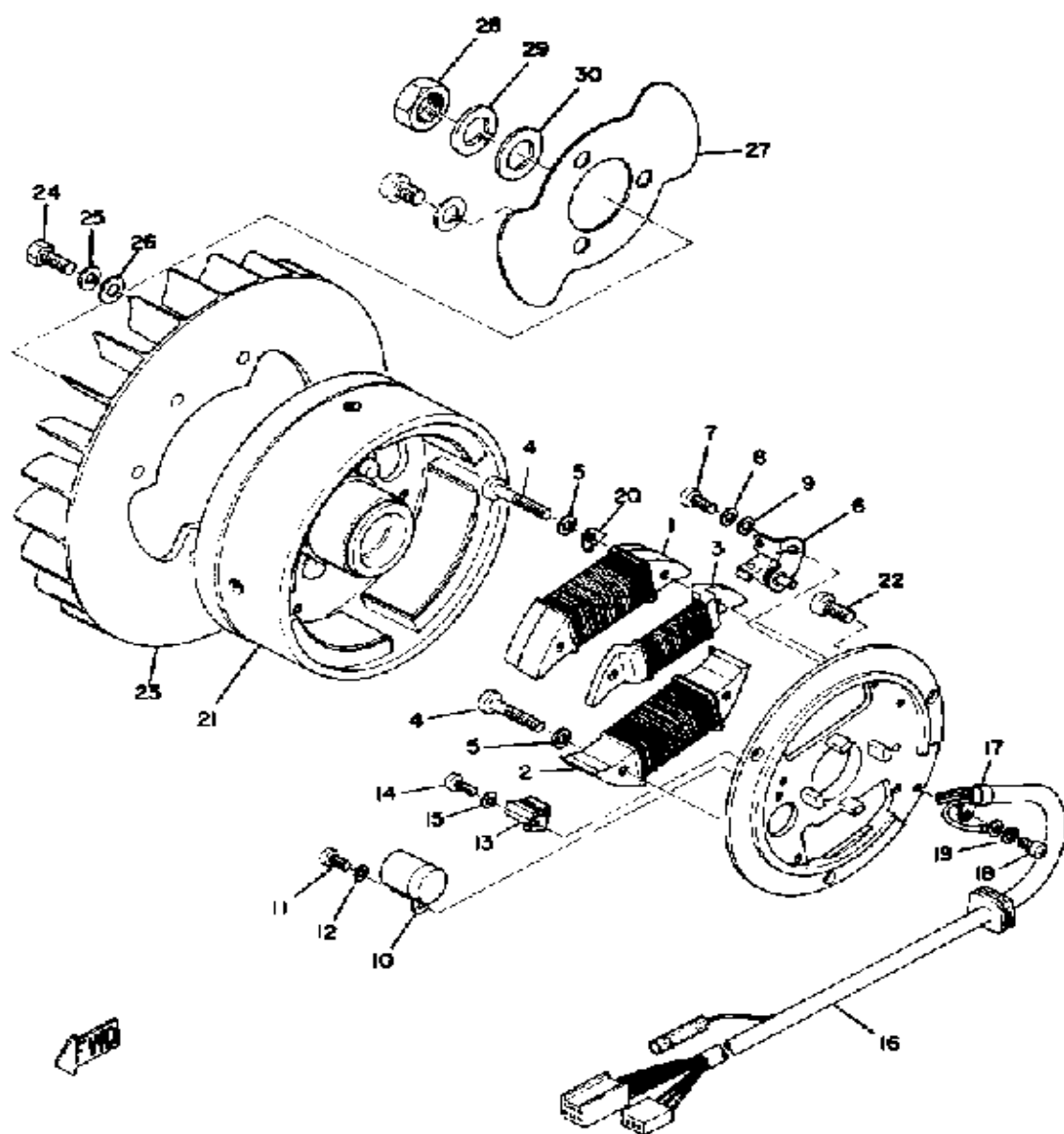
# STARTER



Ref. No.	Part Number	Description	Qty	Remarks
1	(860-15711-00-00)	CASE, STARTER	1	
2	812-15714-00-00	. DRUM, SHEAVE	1	
3	802-15713-00-00	. SPRING, STARTER	1	
4	807-15755-00-00	. HANDLE, STARTER	1	
5	812-15741-00-00	. PAWL, DRIVE	3	
6	626-15719-00-00	. WASHER, THRUST (802-15719-00)	1	
7	626-15715-01-00	. SPRING, DRIVE PLATE (807-15715-00)	1	
8	812-15784-00-00	. SPRING, RETURN	3	
9	811-15734-00-00	. SPRING, RETURN	1	
10	812-15716-00-00	. PLATE, DRIVE	1	
11	807-15726-01-00	. WASHER, FLAT	1	
12	92990-08100-00	. WASHER	1	
13	95303-08700-00	. NUT	1	
14	(807-15751-00-00)	ROPE, STARTER	1	
15	619-15756-00-00	. CONNECTOR 1	1	
16	(812-15782-00-00)	COVER, SHEAVE	1	
17	98580-05006-00	. SCREW, PAN HEAD	3	
18	92990-05100-00	. WASHER, SPRING	3	
19	(812-15723-00-00)	PULLEY, STARTER	1	
20	97313-08016-00	BOLT, HEXAGON	3	
21	92990-08100-00	WASHER	3	
22	97016-06016-00	BOLT	4	
23	92906-06100-00	WASHER, SPRING	4	
24	92906-06200-00	WASHER	1	
25	(839-24367-00-00)	CLAMP, FUEL PIPE 2	1	
26	(838-15791-00-00)	EMBLEM	1	
-1	(860-15710-00-00)	STARTER ASSEMBLY	1	

Property of [www.SmallEngineDiscount.com](http://www.SmallEngineDiscount.com) - Not for Resale

# FLYWHEEL MAGNETO

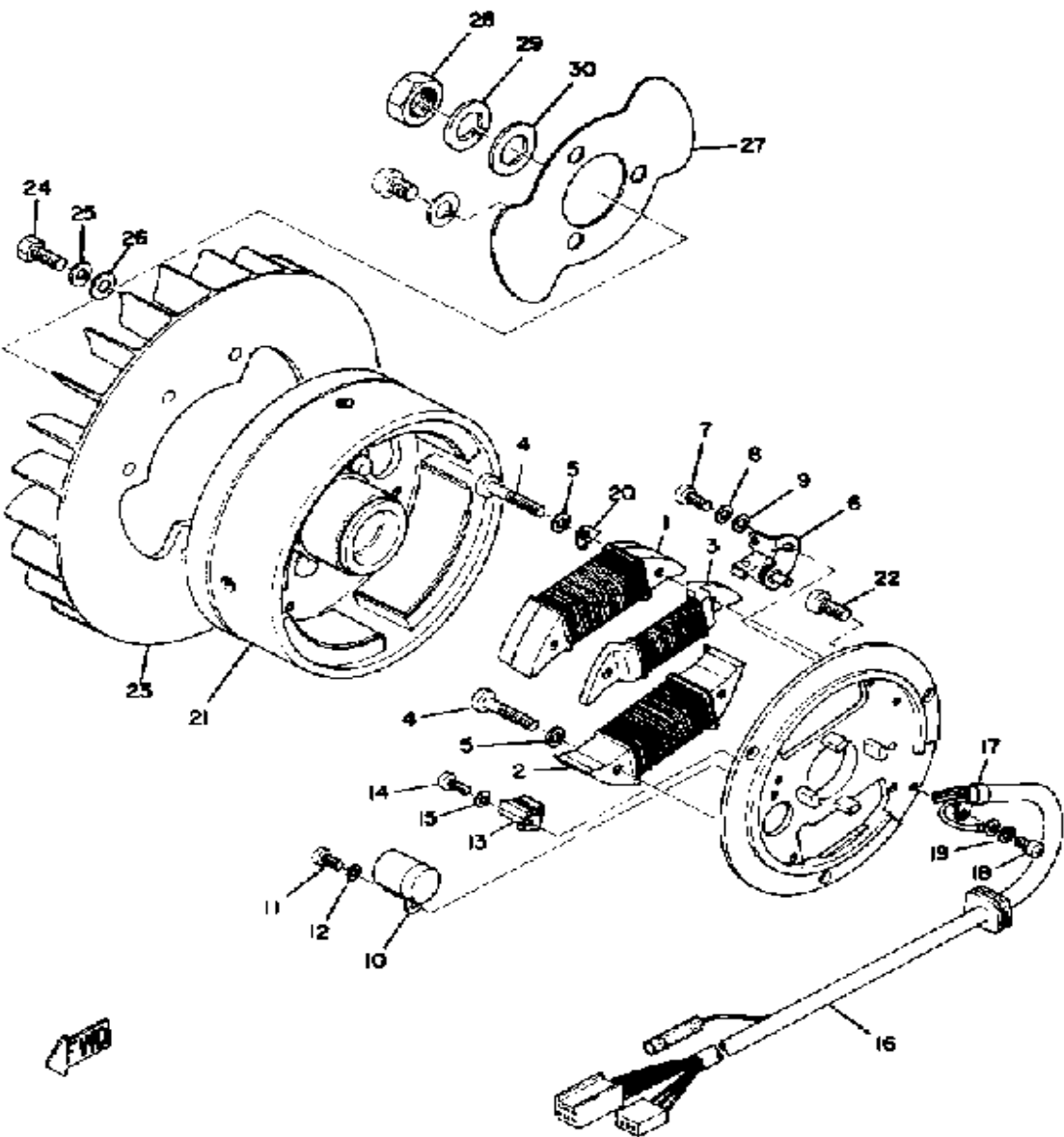


Ref. No.	Part Number	Description	Qty	Remarks
1	839-81312-20-00	. COIL, SOURCE .....	1	
2	(839-81313-20-00)	COIL, LIGHTING 1 .....	1	
3	(839-81314-20-00)	COIL, LIGHTING 2 .....	1	
4	802-81345-20-00	. SCREW, PAN HEAD .....	4	
5	92990-05100-00	. WASHER, SPRING .....	4	
6	806-81321-20-00	. CONTACT BRKR ASSEMBLY	1	
7	110-81347-21-00	. SCREW, PAN HEAD (4-12) (110-81347-20) .....	1	
8	92901-04100-00	. WASHER, SPRING .....	1	
9	92990-04200-00	. WASHER, PLAIN .....	1	
10	802-81325-90-00	. CONDENSER 1 .....	1	
11	110-81346-21-00	. SCREW, PAN HEAD .....	1	
12	92901-04100-00	. WASHER, SPRING .....	1	
13	116-81331-20-00	. LUBRICATOR .....	1	
14	110-81346-21-00	. SCREW, PAN HEAD .....	1	
15	92901-04100-00	. WASHER, SPRING .....	1	
16	(839-81315-21-00)	LEAD WIRE ASSEMBLY .....	1	
17	104-81328-20-00	. CLAMP .....	1	
18	98580-04008-00	. SCREW, PAN HEAD .....	1	
19	92901-04100-00	. WASHER, SPRING .....	1	
20	(812-81332-20-00)	PLATE, TIMING .....	1	
21	(860-81350-20-00)	ROTOR ASSEMBLY .....	1	
22	98503-06014-00	SCREW, PAN HEAD (92502-06016) .....	3	
23	(812-12611-00-00)	FAN .....	1	
24	(90101-06006-00)	BOLT .....	6	
25	92995-06100-00	WASHER, SPRING .....	6	
26	90201-06M08-00	WASHER, PLATE .....	6	
27	(812-81362-00-00)	COVER, HOLE .....	1	

CONTINUED ON NEXT FRAME ►

Property of [www.SmallEngineDiscount.com](http://www.SmallEngineDiscount.com) - Not for Resale

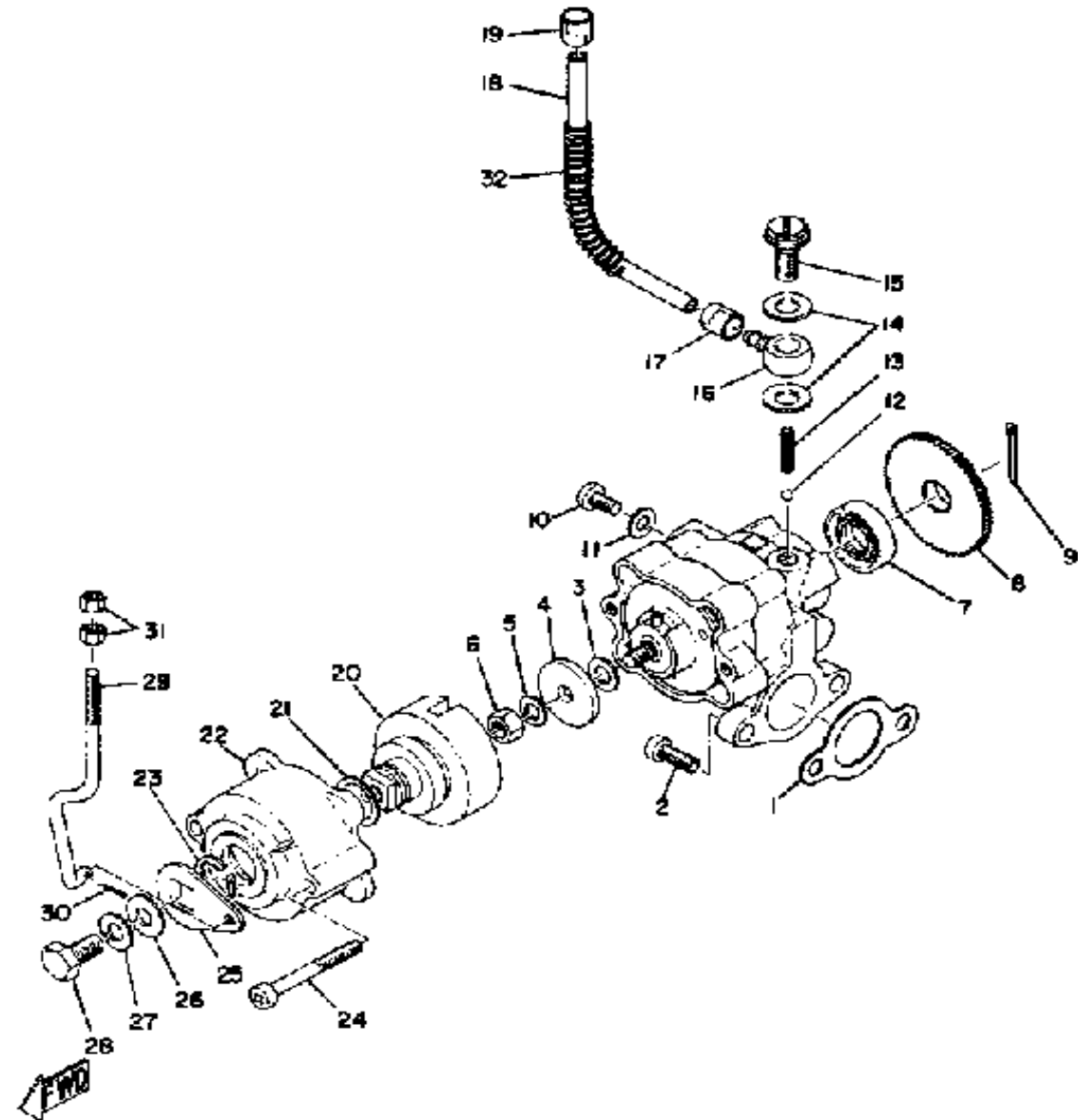
# FLYWHEEL MAGNETO



Ref. No.	Part Number	Description	Qty	Remarks
28	90170-16182-00	NUT .....	1	
29	92901-16100-00	WASHER, SPRING .....	1	
30	90201-16247-00	WASHER, PLATE (807-11557-00) .....	1	
-1	UNA-VAILA-BL-EI	0 0 .....		

Property of [www.SmallEngineDiscount.com](http://www.SmallEngineDiscount.com) - Not for Resale

# OIL PUMP

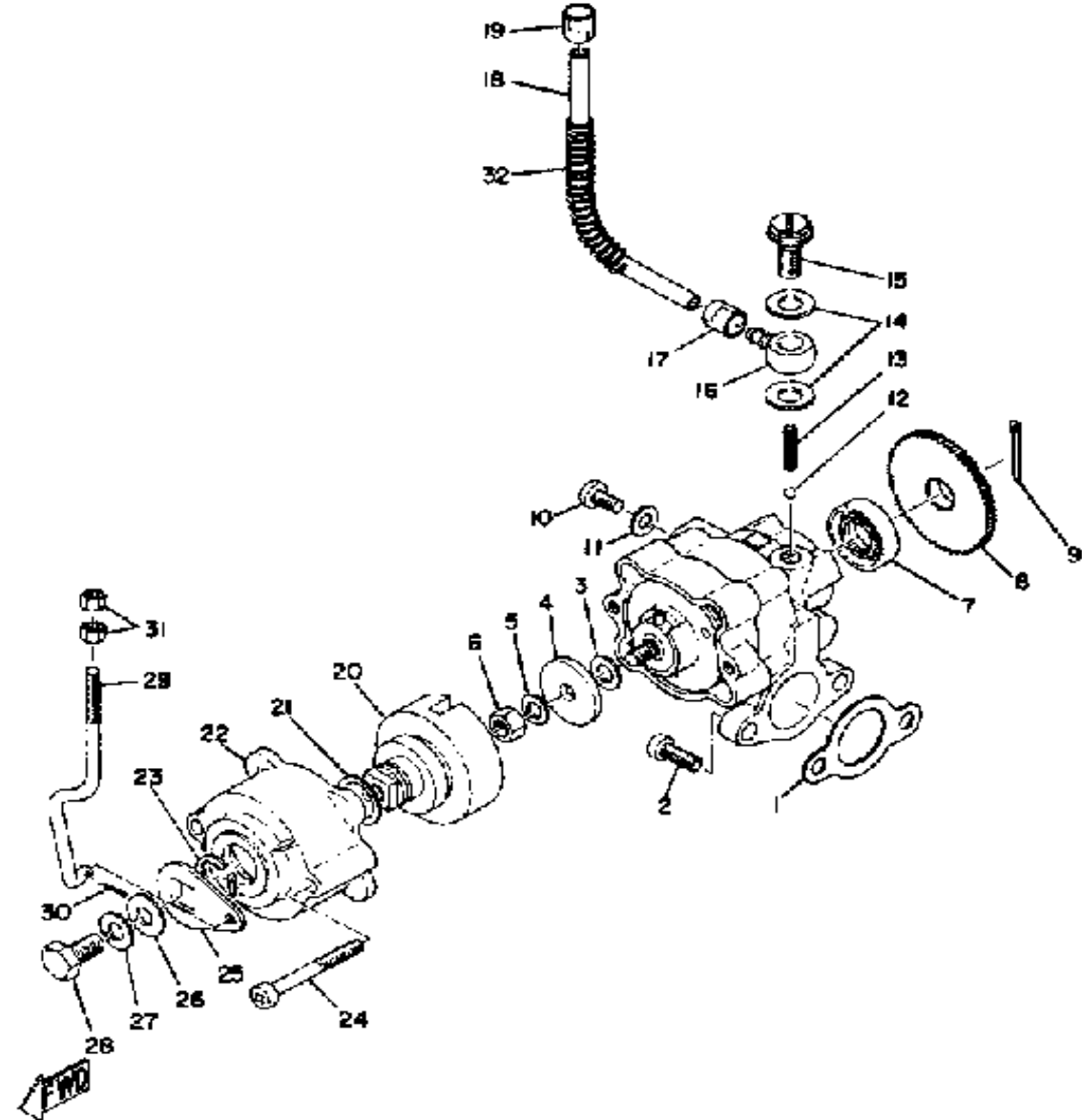


Ref. No.	Part Number	Description	Qty	Remarks
1	3MT-13116-00-00	GASKET, PUMP CASE (8Y0-13116-00)	1	
2	98580-05016-00	SCREW, PAN HEAD	2	
3	(137-13137-00-30)	SHIM, PLUNGER	1	U.R.
	137-13137-00-10	. SHIM (1.0T)	1	U.R.
4	137-13138-01-00	. PLATE, ADJUSTING	1	
5	92990-05100-00	. WASHER, SPRING	1	
6	95380-05600-00	. NUT	1	
7	93101-10090-00	. OIL SEAL	1	
8	(137-13128-00-00)	PLATE, STARTER	1	
9	91401-12018-00	. PIN, COTTER	1	
10	98901-04008-00	. SCREW, BIND	1	
11	90430-04004-00	. GASKET	1	
12	93505-32002-00	. BALL	1	
13	(90501-02017-00)	SPRING, COMPRESSION	1	
14	90430-06011-00	. GASKET	2	
15	90401-06001-00	. BOLT, UNION	1	
16	214-13162-01-00	. BANJO, DLVRY PIPE	1	
17	90468-02033-00	. CLIP	1	
18	90445-05301-00	. HOSE (214-13161-01)	1	
19	90468-02033-00	CLIP	1	
20	(812-13153-00-00)	SHAFT, PUMP CONTROL	1	
21	(812-13147-00-00)	SHIM	1	
22	(812-13146-00-00)	COVER, AJST PULLEY	1	
23	99001-09600-00	CIRCLIP	1	
24	98511-04030-00	SCREW, PAN HEAD	2	
25	(812-13156-00-00)	LEVER, PUMP CONTROL	1	
26	92990-06200-00	WASHER	1	
27	92995-06100-00	WASHER, SPRING	1	

CONTINUED ON NEXT FRAME ➤

Property of [www.SmallEngineDiscount.com](http://www.SmallEngineDiscount.com) - Not for Resale

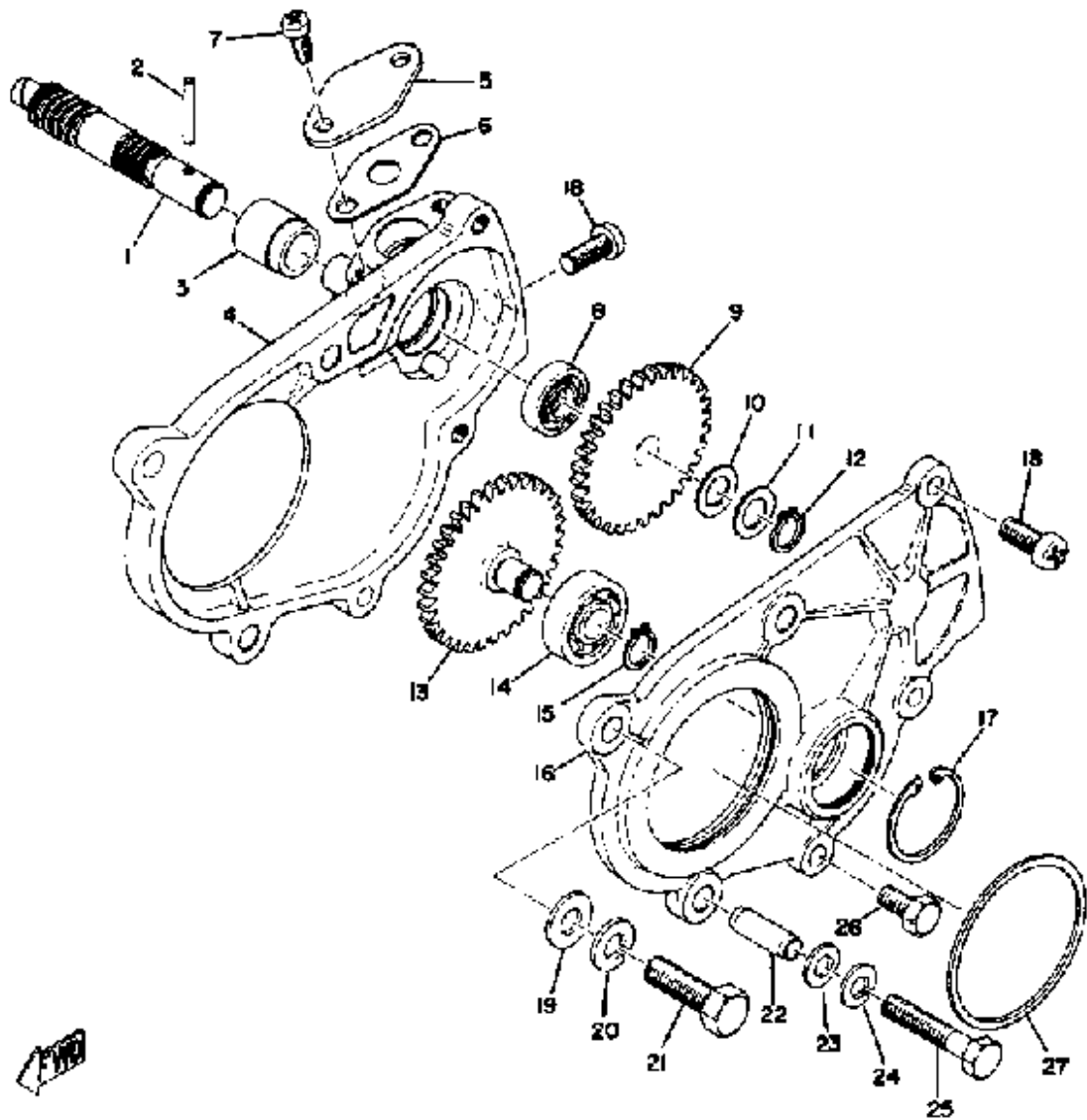
# OIL PUMP



Ref. No.	Part Number	Description	Qty	Remarks
28	97013-06012-00	BOLT .....	1	
29	839-13157-01-00	ROD, PUMP CONTROL .....	1	
30	91490-12012-00	PIN, COTTER .....	1	
31	90170-03008-00	NUT, HEXAGON (807-13139-00)	2	
32	(90501-04019-00)	SPRING, COMPRESSION .....	1	
-1	(853-13101-00-00)	OIL PUMP ASSEMBLY .....	1	

Property of [www.SmallEngineDiscount.com](http://www.SmallEngineDiscount.com) - Not for Resale

# PUMP DRIVE - GEAR

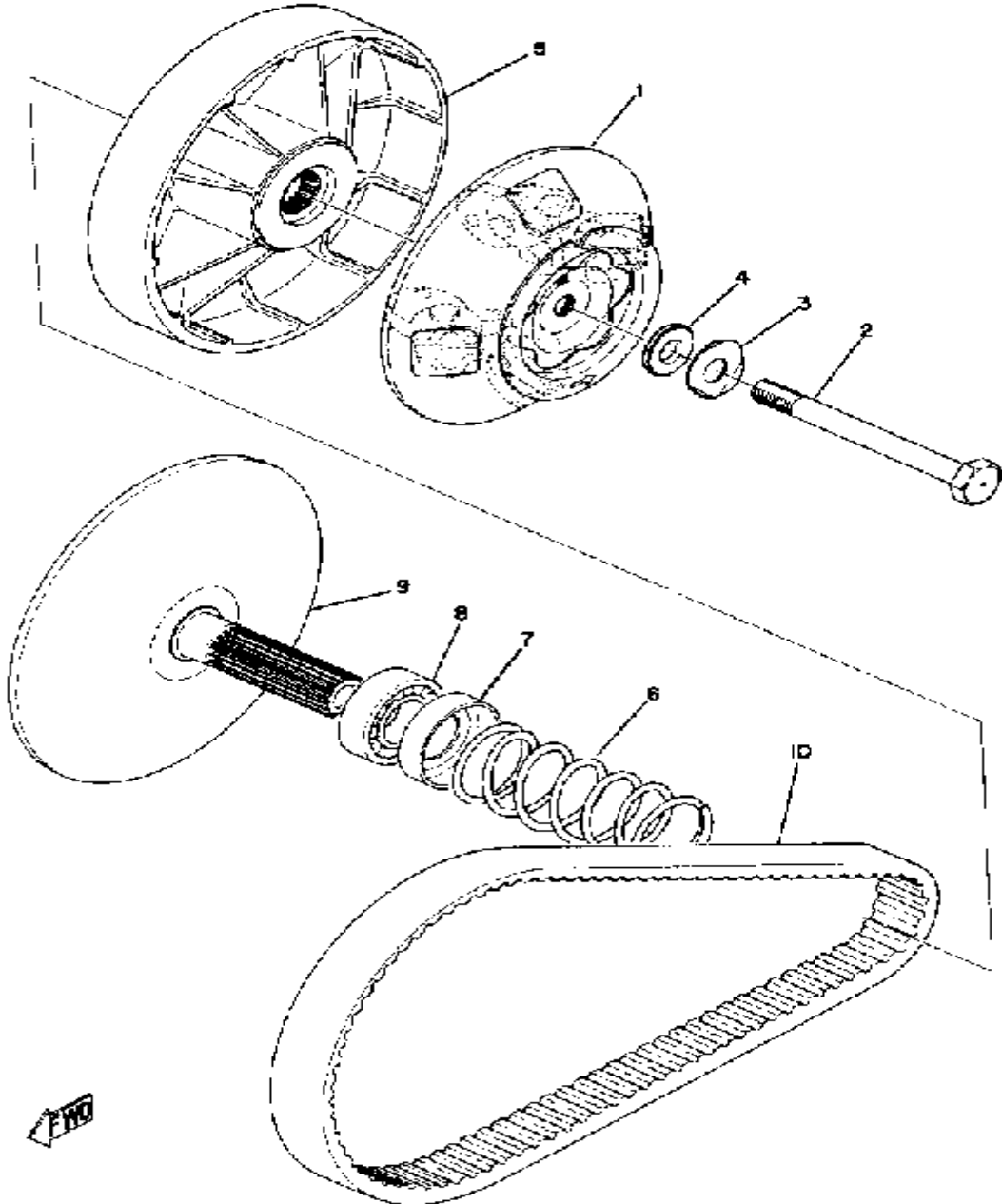


Ref. No.	Part Number	Description	Qty	Remarks
1	821-13175-00-00	SHAFT, WORM .....	1	
2	93603-22028-00	PIN, DOWEL .....	1	
3	821-13176-00-00	METAL, WORM SHAFT OUTER	1	
4	(839-15416-00-00)	COVER, OIL PUMP .....	1	
5	824-17819-00-00	CAP, HOUSING .....	1	
6	821-17818-02-00	GASKET .....	1	
7	98580-05010-00	SCREW, PAN HEAD .....	2	
8	93101-10090-00	OIL SEAL .....	1	
9	821-13188-00-00	GEAR, DRIVE (32T) .....	1	
10	90206-11016-00	WASHER, WAVE .....	1	
11	137-13148-00-00	PLATE, CAM THRUST .....	1	
12	99009-10400-00	CIRCLIP .....	1	
13	(821-13179-00-00)	GEAR, IDLE .....	1	
14	93306-00002-00	BEARING (B6000RS) .....	1	
15	99009-10400-00	CIRCLIP .....	1	
16	839-15426-00-00	COVER, OIL PUMP R .....	1	
17	93420-26024-00	CIRCLIP, R-TYPE (R-26) .....	1	
18	98503-06014-00	SCREW, PAN HEAD (92502-06016) .....	3	
19	92990-08200-00	WASHER, PLAIN .....	1	
20	92990-08100-00	WASHER .....	1	
21	97313-08030-00	BOLT, HEXAGON .....	1	
22	91810-18022-00	PIN, DOWEL .....	2	
23	92990-06200-00	WASHER .....	2	
24	92995-06100-00	WASHER, SPRING .....	2	
25	97013-06035-00	BOLT .....	2	
26	97011-06025-00	BOLT (97001-06025) .....	1	
27	(838-13119-00-00)	SEAL, GREASE .....	1	

Property of [www.SmallEngineDiscount.com](http://www.SmallEngineDiscount.com) - Not for Resale



# PRIMARY SHEAVE

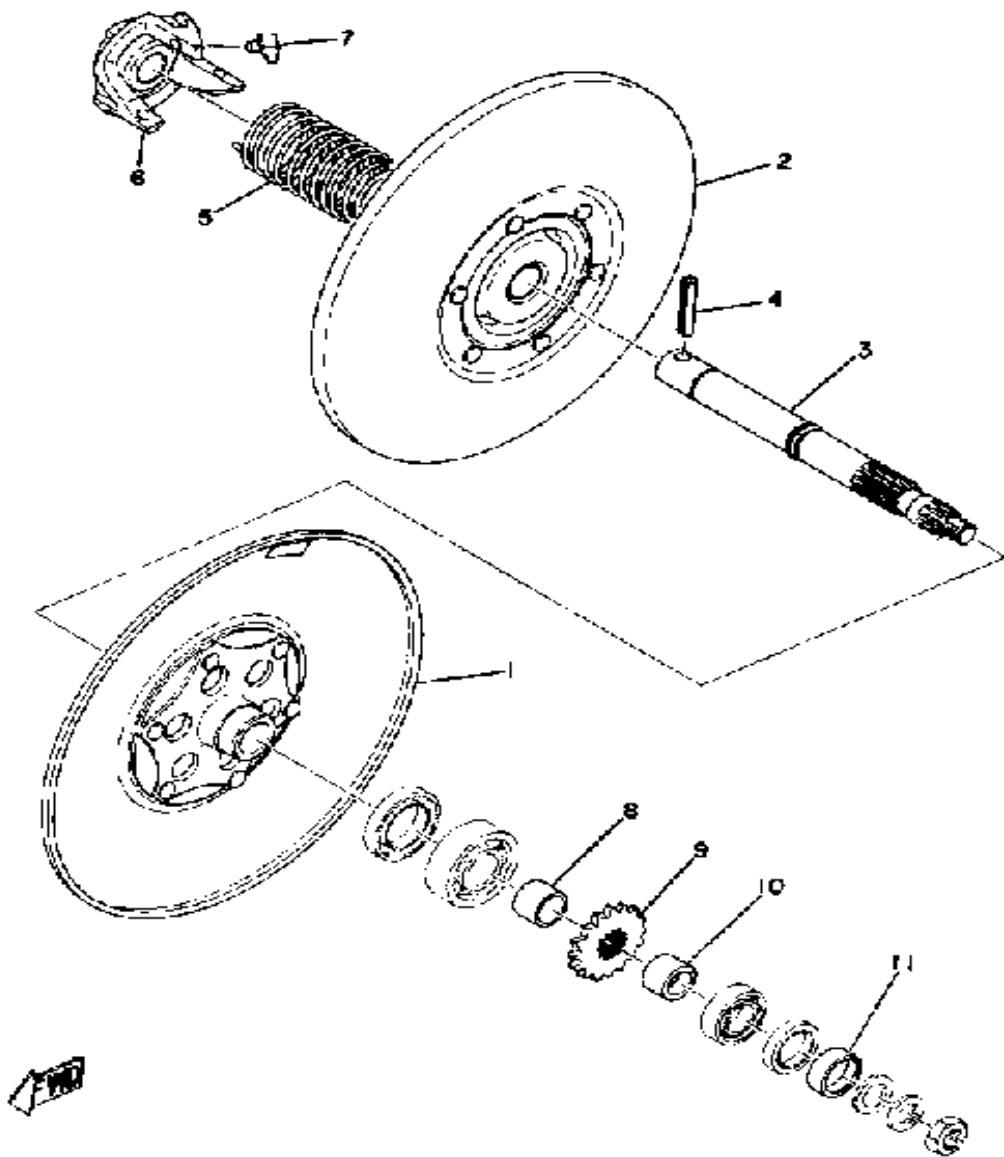


Ref. No.	Part Number	Description	Qty	Remarks
1	853-W1762-00-00	PRI. SHEAVE CAP (853-17630-00)	1	
2	(90101-13149-00)	BOLT	1	
3	90215-13085-00	WASHER, LOCK	1	
4	(90201-12192-00)	WASHER, PLATE	1	
5	(853-17620-00-00)	PRI SLIDG SHEAVE	1	
6	90501-45160-00	SPRING, COMPRESSION	1	
7	867-17644-00-00	SEAT, SPRING	1	
8	93306-20509-00	BEARING (B6205) (93306-20525) 0 1	1	
9	(853-W1761-00-00)	PRI. FIXED SHEAVE	1	
10	820-17641-00-00	V-BELT	1	

Property of [www.SmallEngineDiscount.com](http://www.SmallEngineDiscount.com) - Not for Resale

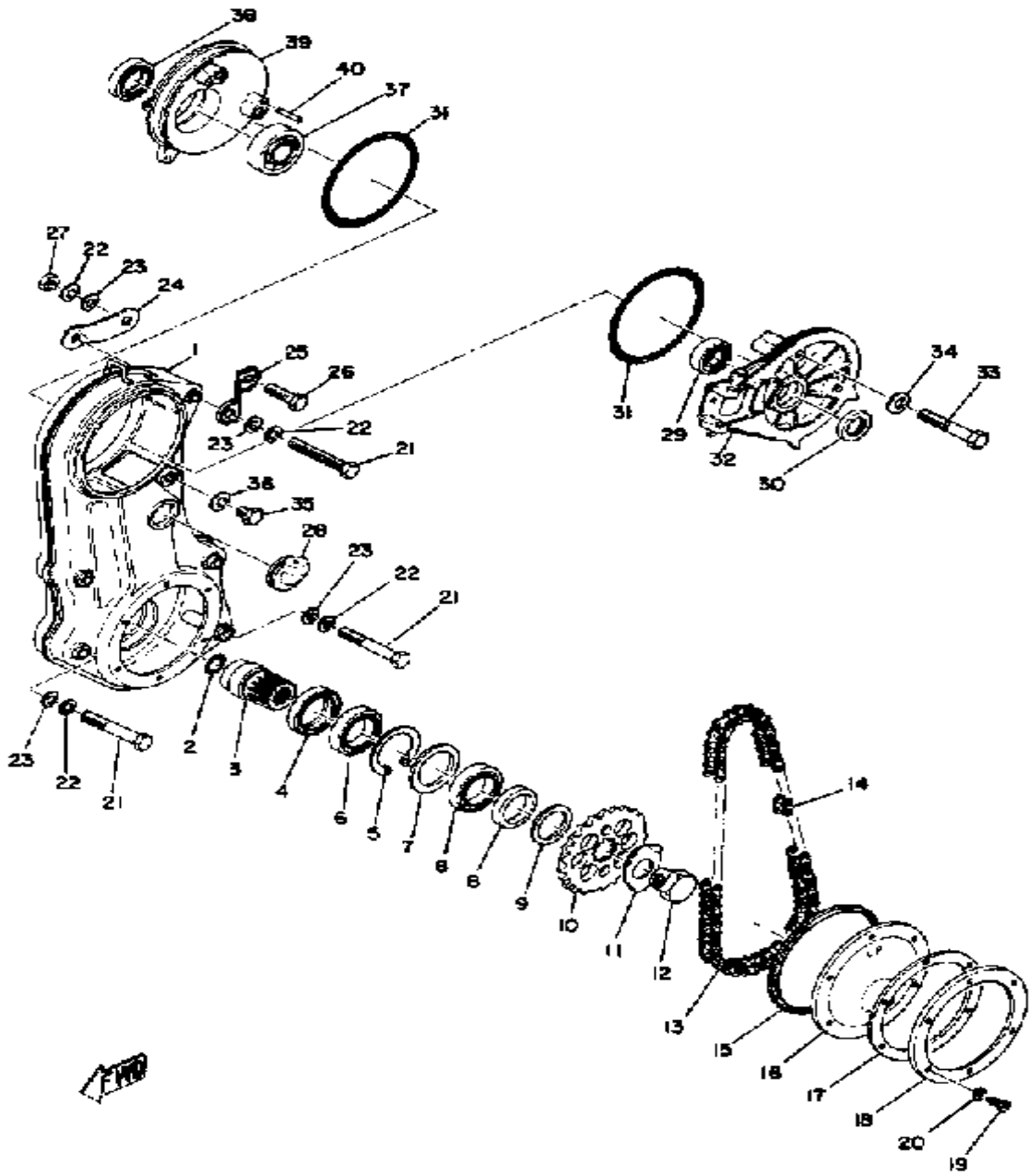
# SECONDARY SHEAVE

Ref. No.	Part Number	Description	Qty	Remarks
1	(853-17660-00-00)	SEC FXD SHV .....	1	
2	(853-17670-00-00)	SEC SLIDING SHEAVE .....	1	
3	(810-17681-00-00)	SHAFT, SECONDARY .....	1	
4	91609-80040-00	PIN, SPRING .....	1	
5	805-17683-00-00	SPRING, SECONDARY (805-17683-00) .....	1	
6	810-17684-01-00	SEAT, SEC SPRINGSRING ..	1	
7	801-17688-10-00	SHOE, RAMP .....	3	
8	90387-19149-00	COLLAR (812-17685-00) .....	1	
9	(812-17682-50-00)	SPRKT, CHAIN DR 15T .....	1	U.R.
	812-17682-10-00	SPROCKET, CHAIN DRIVE (11T) .....	1	U.R. STD
	812-17682-20-00	SPROCKET, CHAIN DRIVE (12T) .....	1	U.R.
	812-17682-30-00	SPROCKET, CHAIN DRIVE (13T) .....	1	U.R.
	812-17682-40-00	SPROCKET, CHAIN DRIVE (14T) .....	1	U.R.
10	(90387-17371-00)	COLLAR .....	1	
11	90387-17130-00	COLLAR (818-17686-00) .....	1	



Property of [www.SmallEngineDiscount.com](http://www.SmallEngineDiscount.com) - Not for Resale

# TRACK DRIVE

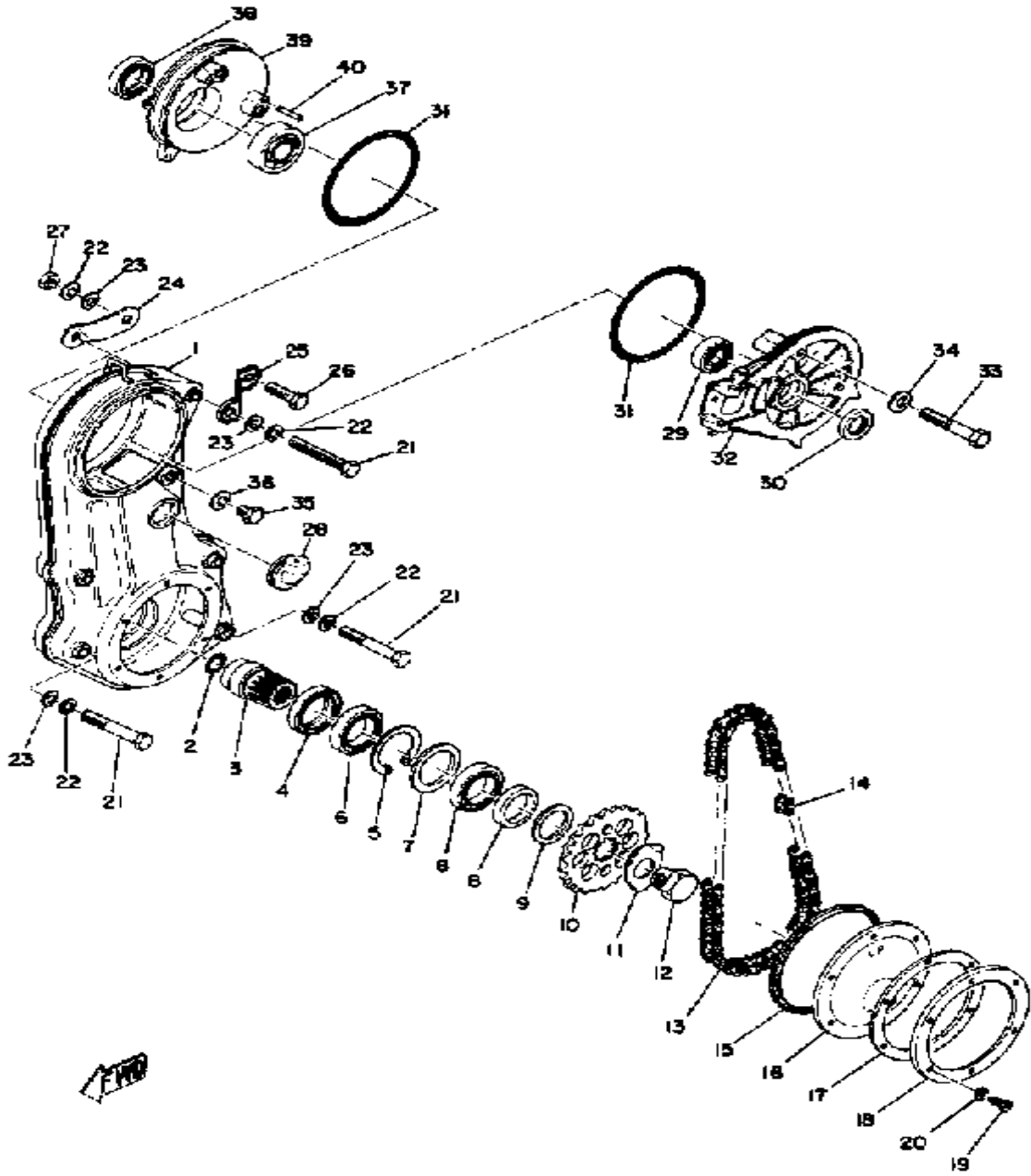


Ref. No.	Part Number	Description	Qty	Remarks
1	UNA-VAILA-BL-EI	0 0 .....		
2	93210-25070-00	O-RING .....	1	
3	UNA-VAILA-BL-EI	0 0 .....		
4	93102-40080-00	OIL SEAL, SD-TYPE .....	1	
5	93420-55028-00	CIRCLIP, R-TYPE .....	1	
6	93306-90702-00	BEARING .....	2	
7	90560-35050-00	SPACER .....	1	
8	90387-35206-00	COLLAR .....	1	
9	90201-35300-00	WASHER, PLATE .....	1	
10	(812-47548-40-00)	SPROCKET, CHN DRVN .....	1	U.R. STD
	(812-47548-50-00)	SPROCKET, CHN DRVN .....	1	U.R.
	(812-47548-60-00)	SPROCKET, CHN DRVN .....	1	U.R.
11	90215-24029-00	WASHER, LOCK .....	1	
12	90109-24203-00	BOLT .....	1	
13	(94510-40068-00)	CHAIN .....	1	U.R.
	94510-40066-00	CHAIN .....	1	U.R.
14	(94610-40001-00)	JOINT CHAIN .....	1	
15	(806-47558-00-00)	RING, HOUSING .....	1	
16	(821-47543-00-00)	CAP, HOUSING .....	1	
17	821-47544-00-00	GASKET .....	1	
18	(821-47591-00-00)	PLATE .....	1	
19	90143-05004-00	SCREW, HEXAGON .....	6	
20	90210-05005-00	WASHER, SEAL .....	6	
21	97021-08070-00	BOLT .....	5	
22	92990-08100-00	WASHER .....	6	
23	92990-08200-00	WASHER, PLAIN .....	6	
24	(841-47565-00-00)	STAY 1 .....	1	
25	(841-47566-00-00)	STAY 2 .....	1	
26	97313-08035-00	BOLT, HEXAGON .....	1	

CONTINUED ON NEXT FRAME ➤

Property of [www.SmallEngineDiscount.com](http://www.SmallEngineDiscount.com) - Not for Resale

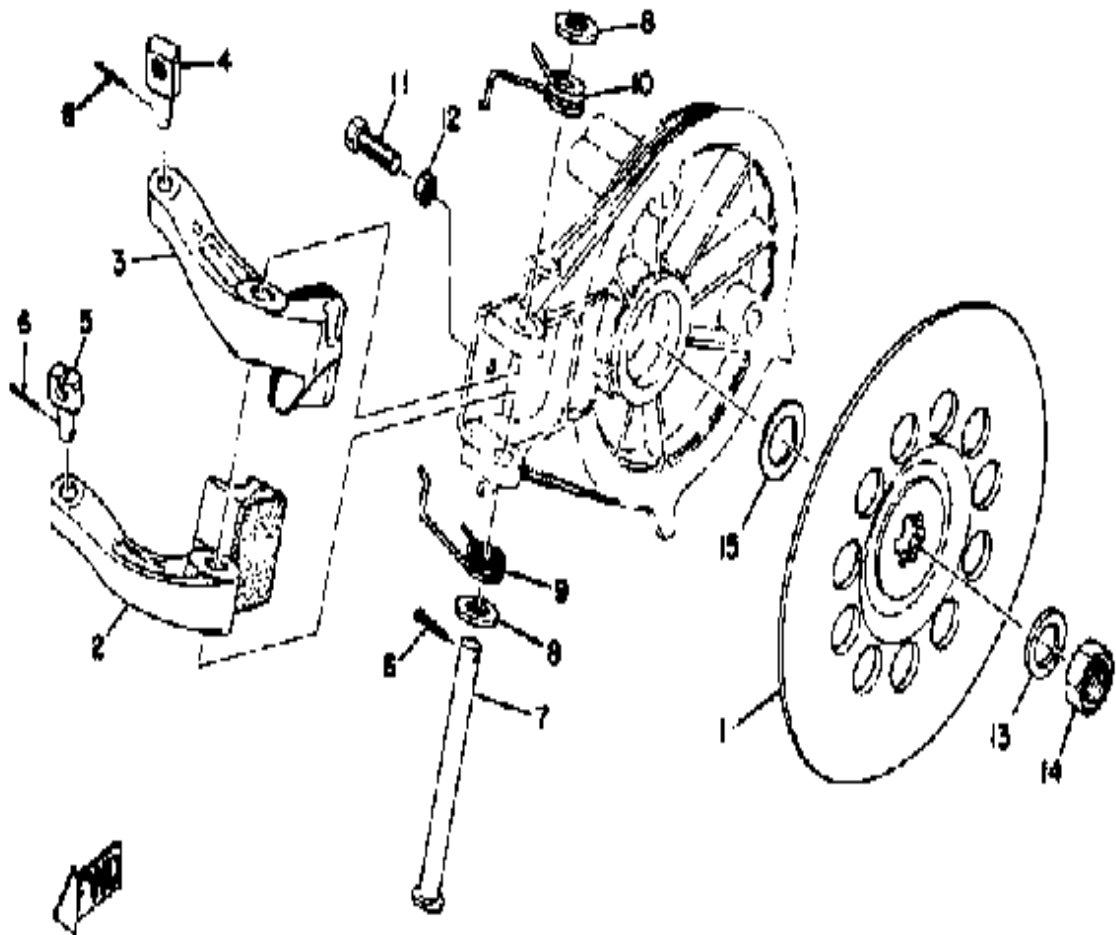
# TRACK DRIVE



Ref. No.	Part Number	Description	Qty	Remarks
27	95333-08600-00	NUT .....	1	
28	(810-47559-00-00)	CAP 2 .....	1	
29	93306-20310-00	BEARING .....	1	
30	93102-22087-00	OIL SEAL .....	1	
31	93211-12109-00	UNAVAILABLE IN PRICE BOOK	2	
32	(818-47561-00-00)	HOUSING, SEC SHAFT .....	1	
33	97013-08060-00	BOLT (663) .....	2	
34	90210-08002-00	WASHER, SEAL .....	1	
35	97301-08010-00	BOLT, HEXAGON .....	1	
36	92990-08100-00	WASHER .....	1	
37	93306-30407-00	BEARING (B6304C3) .....	1	
38	93102-30083-00	SEAL, OIL .....	1	
39	(814-47562-00-00)	HOUSING, SEC SHAFT .....	1	
40	93604-18058-00	PIN, DOWEL .....	2	

Property of [www.SmallEngineDiscount.com](http://www.SmallEngineDiscount.com) - Not for Resale

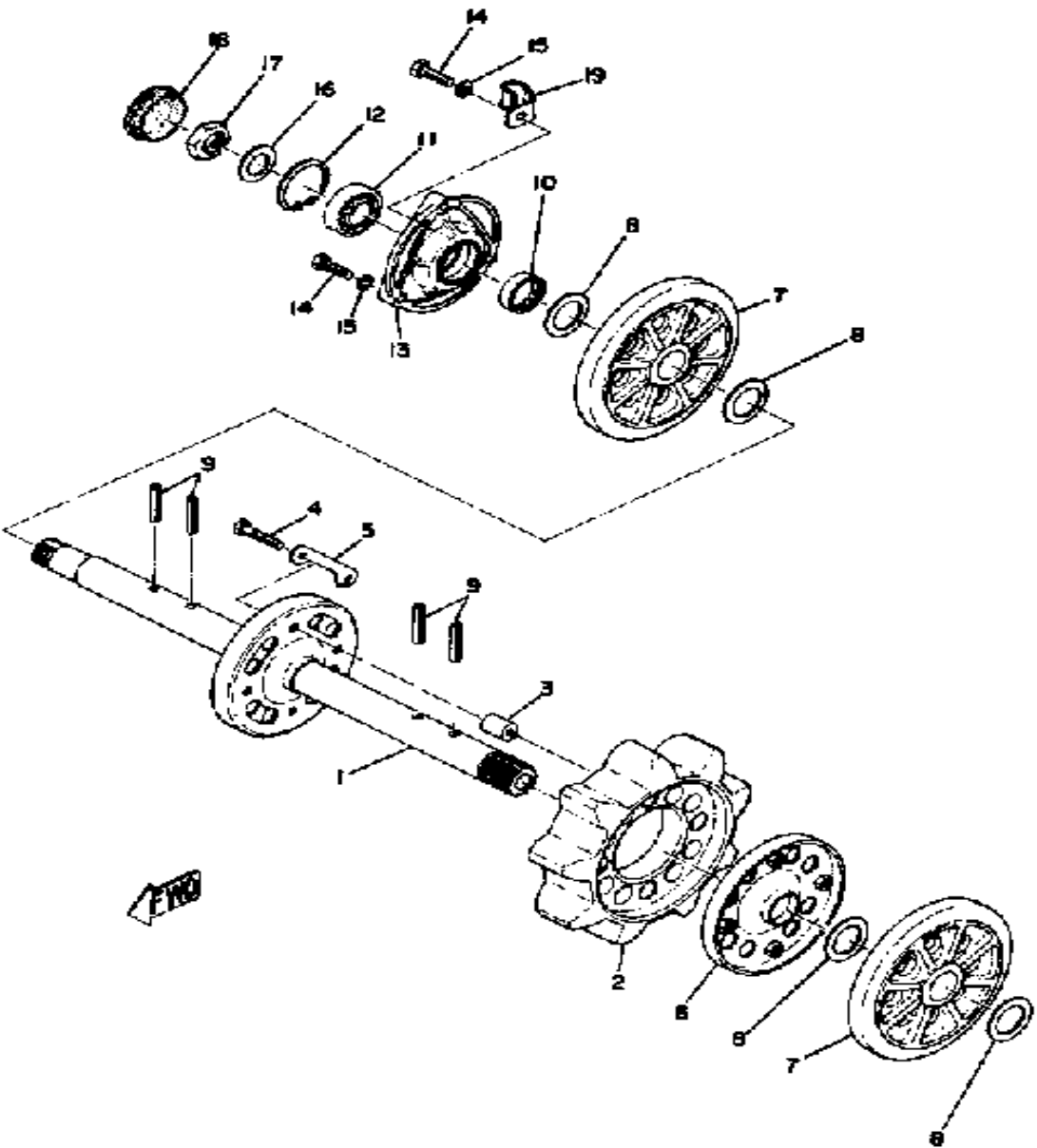
# BRAKE



Ref. No.	Part Number	Description	Qty	Remarks
1	810-25711-00-00	DISC, BRAKE .....	1	
2	821-25730-00-00	CALIPER BODY 1 .....	1	
3	821-25740-00-00	CALIPER BODY 2 .....	1	
4	90249-06012-00	PIN .....	1	
5	90249-06009-00	PIN .....	1	
6	91490-20020-00	PIN, COTTER .....	3	
7	90240-08023-00	PIN, CLEVIS .....	1	
8	92990-08200-00	WASHER, PLAIN .....	2	
9	(810-25735-00-00)	SPRING, RETURN 1 .....	1	
10	(810-25745-00-00)	SPRING, RETURN 2 .....	1	
11	97021-05020-00	BOLT .....	1	
12	95311-05700-00	NUT .....	1	
13	92901-12100-00	WASHER, SPRING .....	1	
14	95301-12700-00	NUT (95302-12700) .....	1	
15	(150-17417-00-03)	SHIM 1 .....	1	
	150-17417-00-02	SHIM 1 .....	1	

Property of [www.SmallEngineDiscount.com](http://www.SmallEngineDiscount.com) - Not for Resale

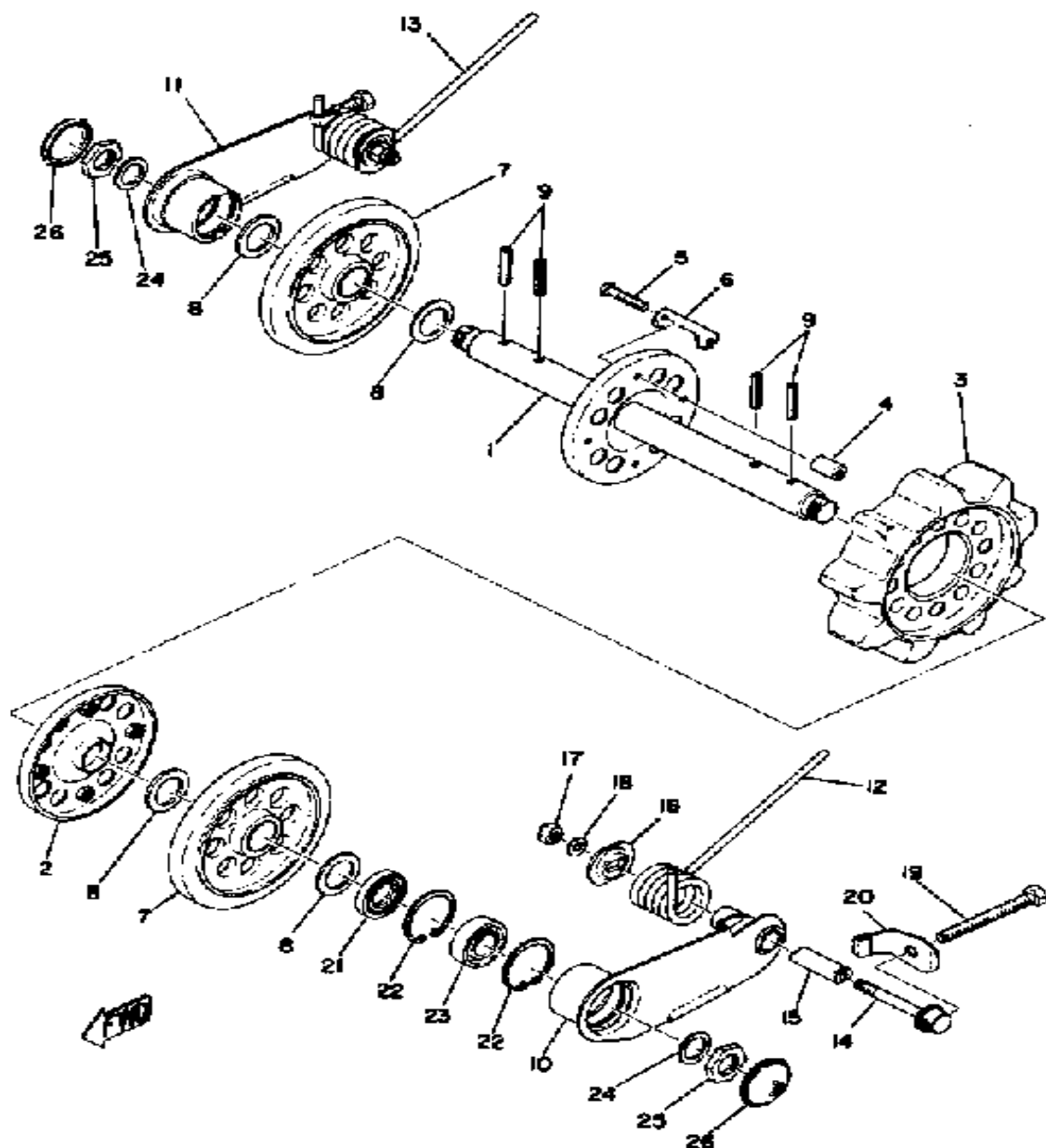
# FRONT AXLE



Ref. No.	Part Number	Description	Qty	Remarks
1	821-47510-00-00	FRONT AXLE .....	1	
2	810-47532-00-00	WHEEL, SPROCKET 2 .....	1	
3	(90387-06021-00)	COLLAR .....	4	
4	(810-47522-00-00)	RIM, SPROCKET WHL 2 .....	1	
5	97013-06035-00	BOLT .....	4	
6	90215-06100-00	WASHER, LOCK .....	2	
7	810-47530-00-00	GUIDE WHEEL .....	2	
8	90201-25499-00	WASHER, PLATE .....	4	
9	91609-60036-00	PIN, SPRING .....	4	
10	93102-25084-00	OIL SEAL, SD-TYPE .....	1	
11	93306-00412-00	BEARING .....	1	
12	93420-44029-00	CIRCLIP, R-TYPE .....	1	
13	841-47551-00-00	HOUSING, FRONT AXLE .....	1	
14	97013-08025-00	BOLT .....	3	
15	92990-08100-00	WASHER .....	3	
16	90208-22001-00	WASHER, CONICAL SPRING ..	1	
17	90170-22094-00	NUT .....	1	
18	810-47552-00-00	CAP .....	1	
19	90465-06100-00	CLAMP .....	1	

Property of [www.SmallEngineDiscount.com](http://www.SmallEngineDiscount.com) - Not for Resale

# REAR AXLE



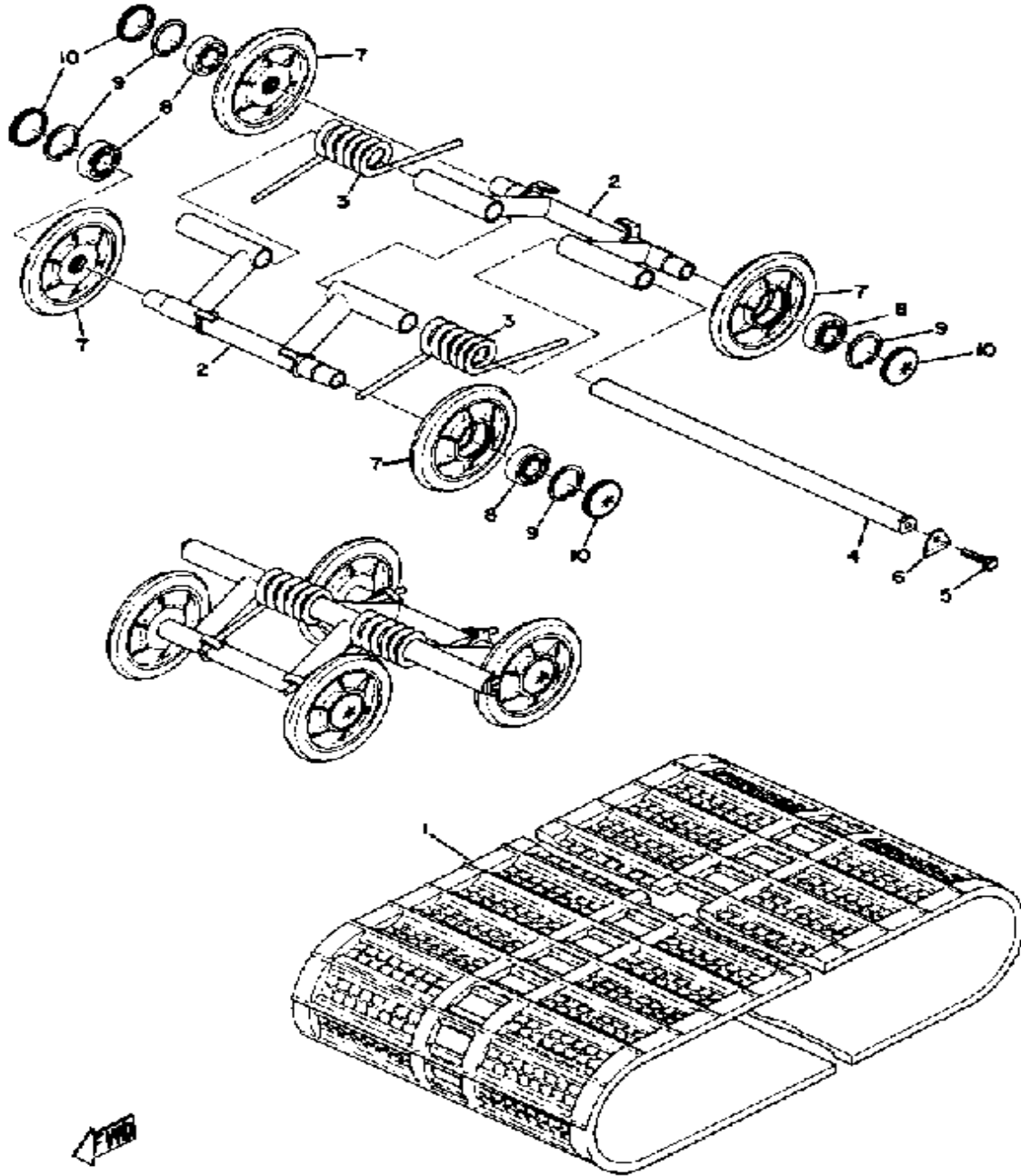
Ref. No.	Part Number	Description	Qty	Remarks
1	853-47520-01-00 UNA-VAILA-BL-EI	REAR AXLE .....	1	
2	853-47522-00-00	RIM, SPROCKET WHL 2 .....	1	
3	810-47532-00-00	WHEEL, SPROCKET 2 .....	1	
4	(90387-06021-00)	COLLAR .....	4	
5	97013-06035-00	BOLT .....	4	
6	90215-06100-00	WASHER, LOCK .....	2	
7	810-47530-00-00	GUIDE WHEEL .....	2	
8	90201-25499-00	WASHER, PLATE .....	4	
9	91609-60036-00	PIN, SPRING .....	4	
10	853-47361-00-00	ARM, REAR PIVOT 1 .....	1	
12	90508-70104-00	SPRING, TORSION .....	1	
13	90508-70123-00	SPRING, TORSION .....	1	
14	90149-08021-00	SCREW, SPEC'L SHAPE (853-47367-01) .....	2	
15	853-47369-00-00	COLLAR .....	2	
16	90209-22027-00	WASHER, SPEC'L SHAP .....	2	
17	90185-08089-00	NUT, SELF-LOCKING .....	2	
18	92990-08200-00	WASHER, PLAIN .....	2	
19	90106-08050-00	BOLT, DOME HEAD (841-47373-00) .....	2	
20	90215-08069-00	WASHER, LOCK .....	2	
21	93102-25110-00	OIL SEAL, SD-TYPE .....	2	
22	99009-42500-00	CIRCLIP .....	4	
23	93306-00426-00	BEARING .....	2	
24	90208-20008-00	WASHER, CONICAL SPRING ..	2	
25	818-47317-01-00	CAP, WHEEL .....	2	
	90170-20102-00	NUT, HEXAGON .....	2	

Property of [www.SmallEngineDiscount.com](http://www.SmallEngineDiscount.com) - Not for Resale

B10



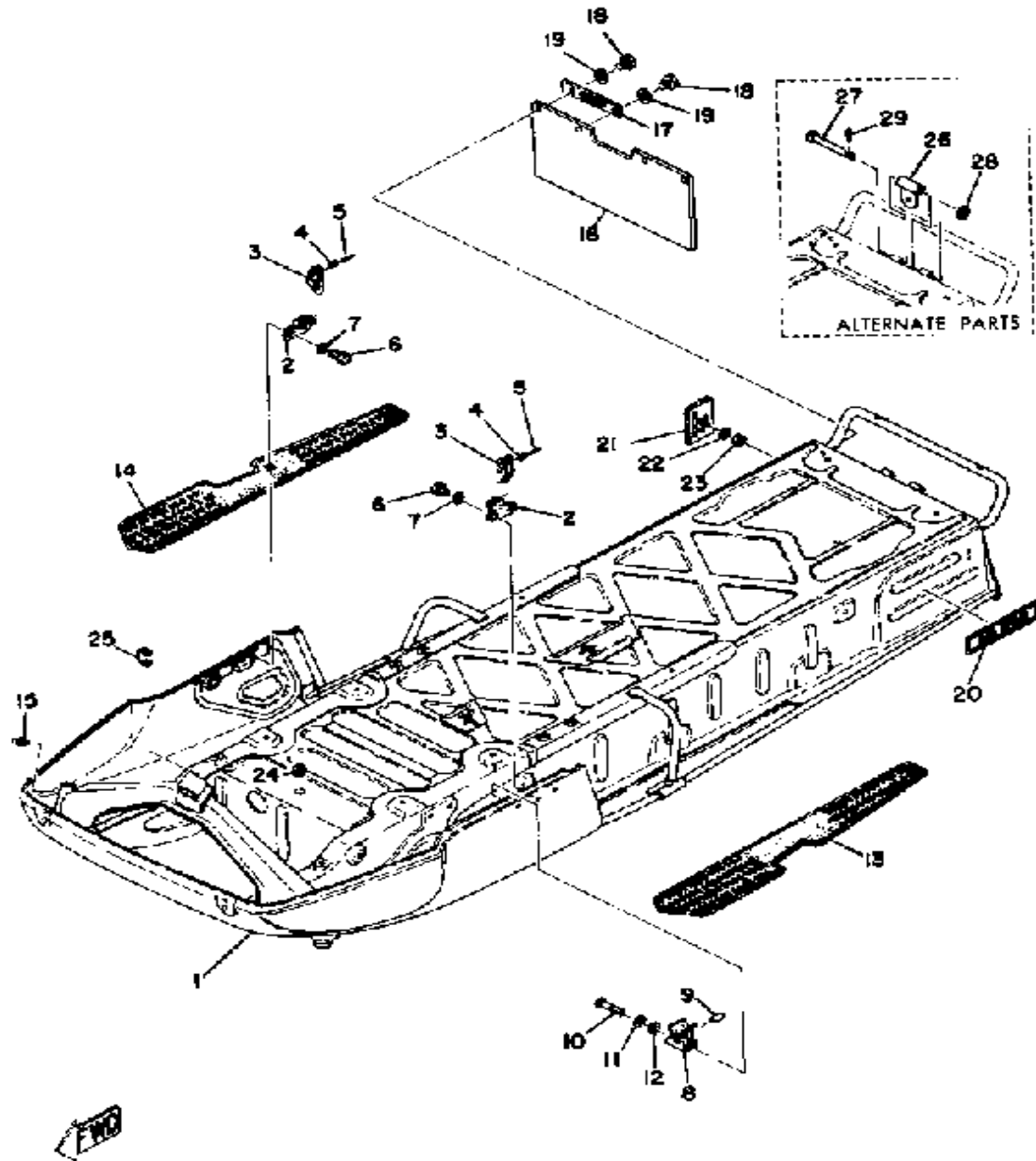
# TRACK SUSPENSION - WHEEL



Ref. No.	Part Number	Description	Qty	Remarks
1	(861-47110-00-00)	TRACK ASSEMBLY .....	1	
2	(806-47331-01-00)	ARM, PIVOT 1 .....	6	
3	90508-65091-00	SPRING, TORSION .....	4	CENTER OR REAR
	90508-65092-00	SPRING, TORSION .....	2	FRONT
4	(802-47337-00-00)	SHAFT, PIVOT .....	3	
5	97313-08030-00	BOLT, HEXAGON .....	6	
6	(806-47347-00-00)	WASHER, LOCK .....	6	
7	885-47320-01-00	SUSPENSION WHEEL COMP. .	12	
8	93306-00441-00	BEARING (89A) (B6004RS) ...	12	
9	99009-42500-00	CIRCLIP .....	12	
10	818-47317-01-00	CAP, WHEEL .....	12	

Property of [www.SmallEngineDiscount.com](http://www.SmallEngineDiscount.com) - Not for Resale

# FRAME

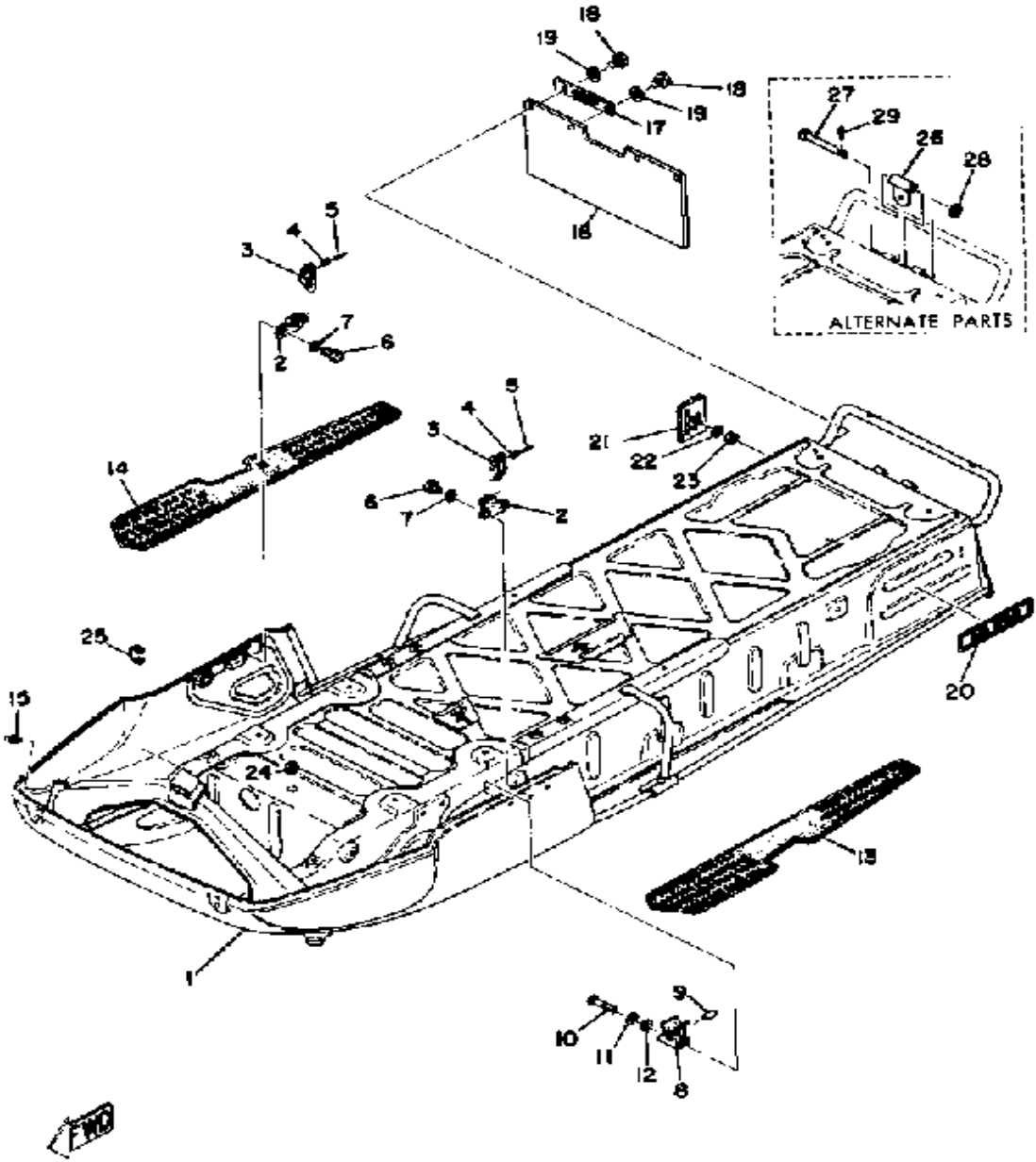


Ref. No.	Part Number	Description	Qty	Remarks
1	(853-21910-00-00)	FRAME .....	1	
2	(806-77172-00-00)	BODY, LATCH 2 .....	2	
3	(806-77137-00-00)	CLAMP 3 .....	2	
4	90508-10012-00	. SPRING, TORSION .....	2	
5	90249-04068-00	. PIN, SPECL SHAPE .....	2	
6	97313-05016-00	BOLT, HEXAGON .....	4	
7	92990-05100-00	WASHER, SPRING .....	4	
8	90464-09006-00	CLAMP .....	2	
9	821-77188-01-00	STOPPER .....	2	
10	97026-06045-00	BOLT .....	2	
11	92906-06100-00	WASHER, SPRING .....	2	
12	92906-06200-00	WASHER .....	2	
13	878-27413-00-00	COVER, FOOTREST .....	1	
14	878-27423-00-00	COVER, FOOTREST .....	1	
15	93700-06M03-00	NIPPLE, GREASE .....	2	
16	(802-77595-02-00)	FLAP .....	1	
17	(802-77593-00-00)	PLATE, FLAP 1 .....	2	
18	97013-06012-00	BOLT .....	4	
19	92995-06100-00	WASHER, SPRING .....	4	
20	(853-77354-00-00)	EMBLEM 4 .....	2	
21	(821-85131-00-00)	REFLECTOR, REAR 1 .....	2	
22	92990-06200-00	WASHER .....	2	
23	95701-06300-00	NUT, NYLON .....	2	
24	810-77716-00-00	ORNAMENT, INSTRUMENT PANEL 2 .....	1	
25	(841-82591-00-00)	BAND .....	1	
26	802-77591-00-00	BRACKET, HITCH 1 .....	1	ALTERNATE PARTS
27	(91701-08102-00)	PIN, CLEVIS .....	1	
28	92990-08200-00	WASHER, PLAIN .....	1	

CONTINUED ON NEXT FRAME ►

Property of [www.SmallEngineDiscount.com](http://www.SmallEngineDiscount.com) - Not for Resale

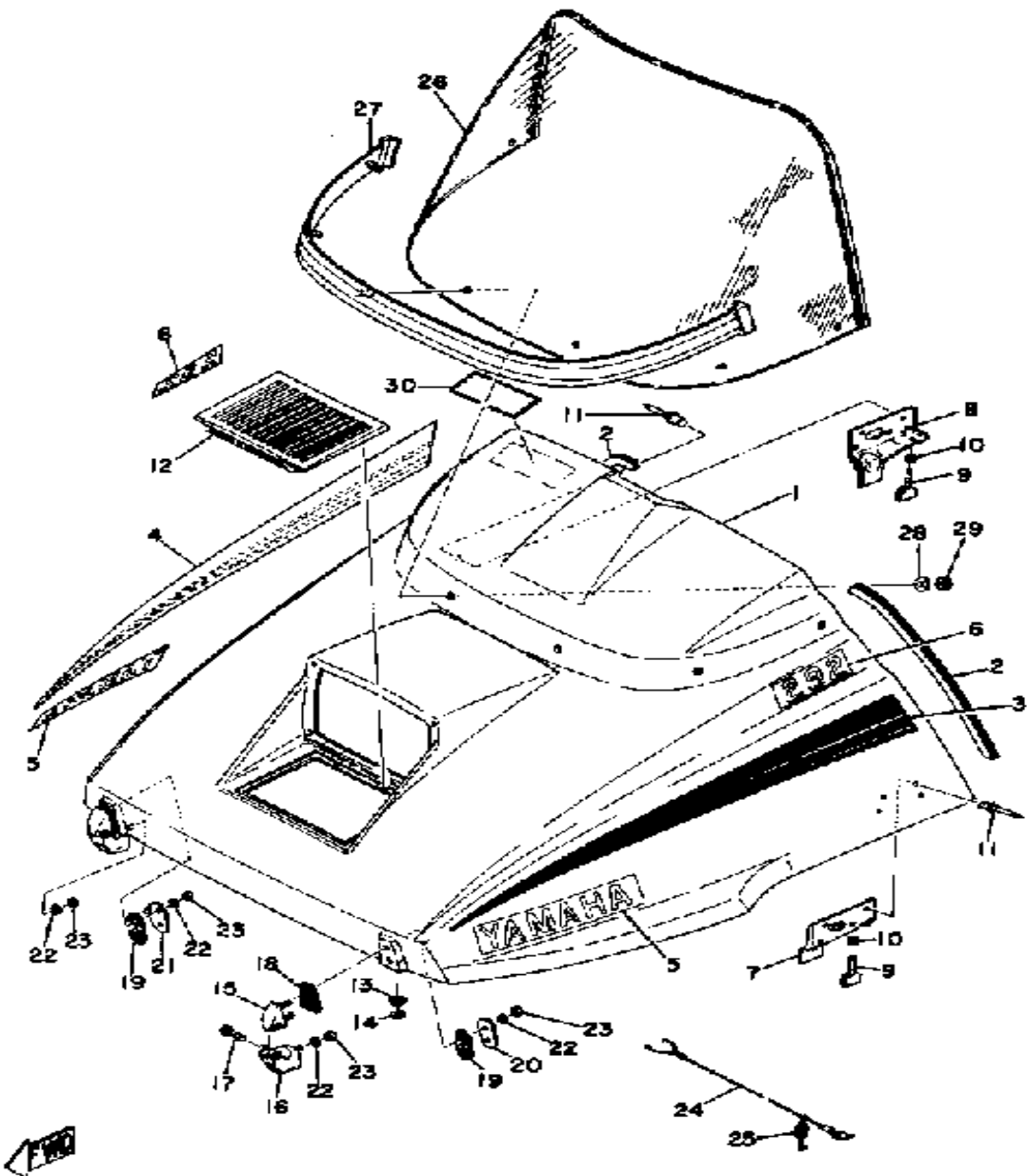
# FRAME



Ref. No.	Part Number	Description	Qty	Remarks
29	91401-25020-00	PIN, COTTER .....	1	
-1	806-77170-00-00	LATCH ASSEMBLY .....	2	

Property of [www.SmallEngineDiscount.com](http://www.SmallEngineDiscount.com) - Not for Resale

# SHROUD



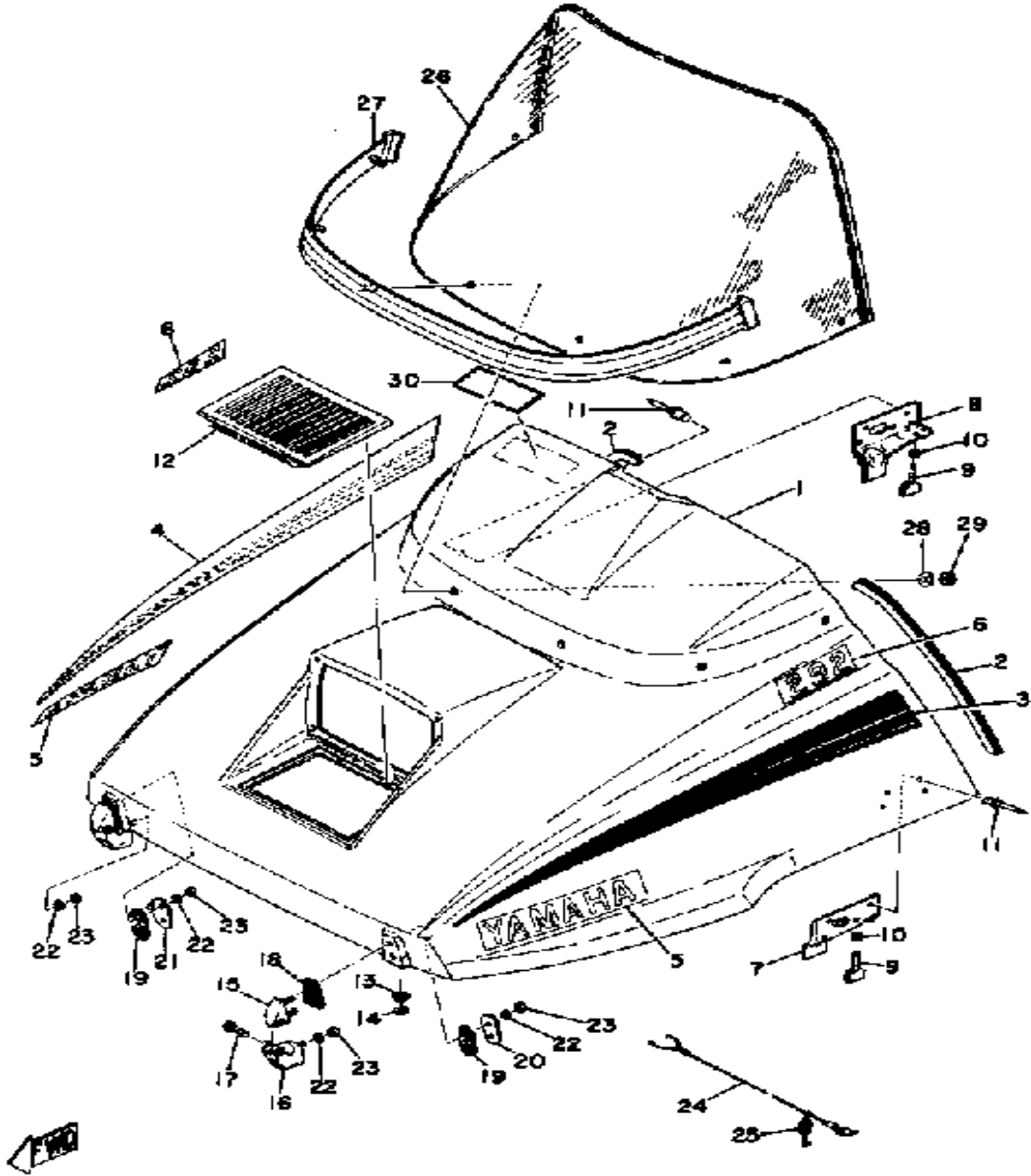
Ref. No.	Part Number	Description	Qty	Remarks
1	(853-77111-00-00)	SHROUD .....	1	
2	(853-77166-00-00)	TRIM 2 .....	1	
3	(853-77163-00-00)	ORNAMENT 1 .....	1	
4	(853-77164-00-00)	ORNAMENT 2 .....	1	
5	(839-77356-00-00)	EMBLEM 6 .....	2	
6	(838-77357-00-00)	EMBLEM 7 .....	2	
7	(841-77136-00-00)	CLAMP 2 .....	1	
8	(841-77138-00-00)	CLAMP 4 .....	1	
9	(841-77171-01-00)	BODY, LATCH 1 .....	2	
10	95380-06600-00	NUT .....	2	
11	90267-40M00-00	RIVET, BLIND .....	8	
12	853-77131-00-00	LOUVER 1 .....	1	
13	838-77143-00-00	EMBLEM 3 .....	2	
14	90183-05003-00	NUT, SPRING .....	2	
15	(841-77140-00-00)	HINGEASSEMBLY .....	2	
16	(841-77147-00-00)	HINGE 3 .....	2	
17	90243-05003-00	PIN .....	2	
18	841-77199-00-00	DAMPER 2 .....	2	
19	(841-77198-00-00)	DAMPER 1 .....	2	
20	(841-77153-00-00)	PLATE, BACK UP 1 .....	1	
21	(841-77154-00-00)	PLATE, BACK UP 2 .....	1	
22	92995-06100-00	WASHER, SPRING .....	6	
23	95380-06600-00	NUT .....	6	
24	841-77118-00-00	STOPPER, SHROUD .....	1	
25	838-77159-00-00	. CLAMP, ROD .....	1	
26	853-77210-00-00	WINDSHIELD .....	1	
27	(853-77220-00-00)	TRIM LOWER ASSEMBLY .....	1	
28	90201-05036-00	WASHER, PLATE .....	6	
29	95701-05300-00	NUT, NYLON .....	6	

CONTINUED ON NEXT FRAME ➤

Property of [www.SmallEngineDiscount.com](http://www.SmallEngineDiscount.com) - Not for Resale

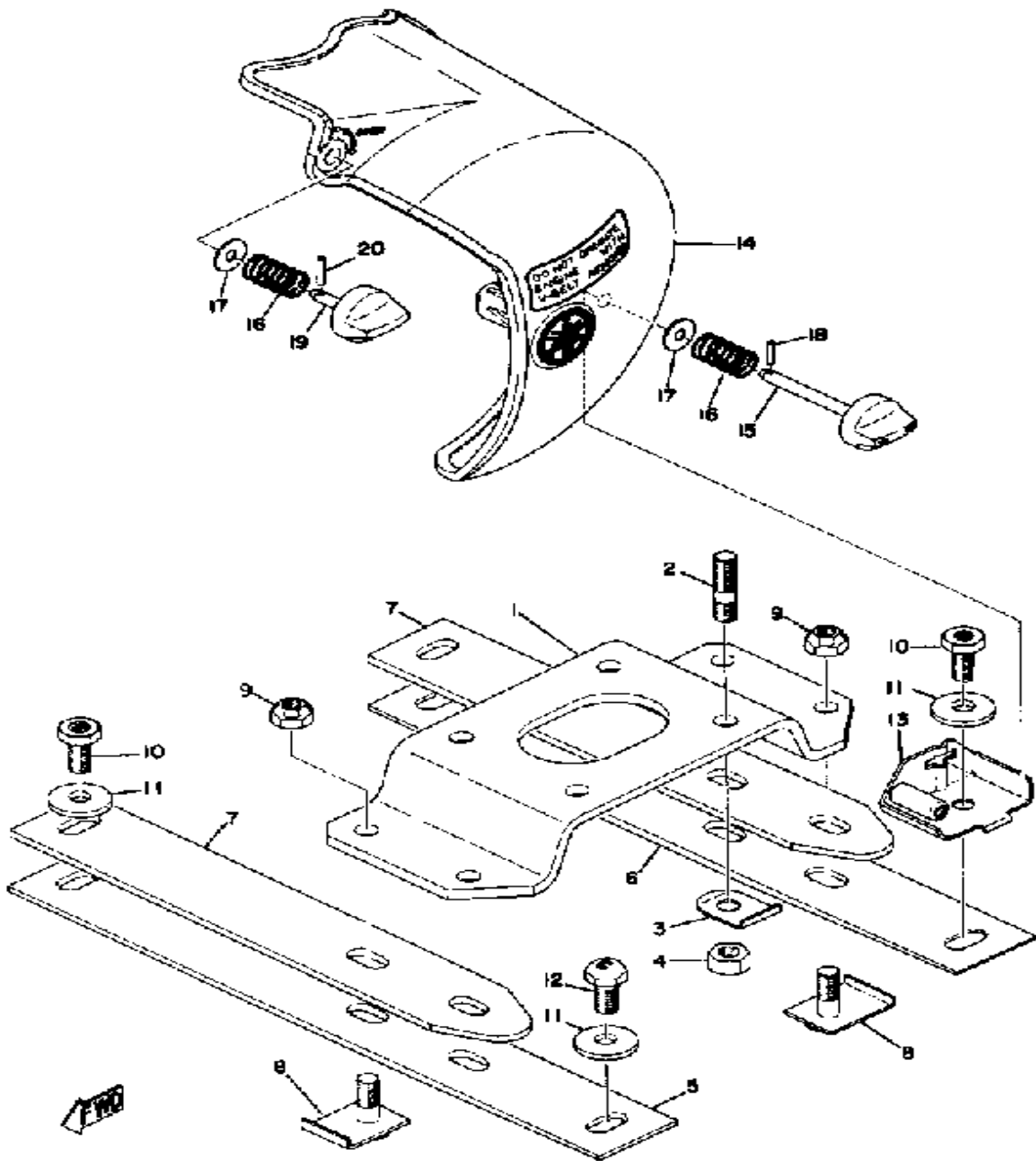
# SHROUD

Ref. No.	Part Number	Description	Qty	Remarks
30	288-21659-00-00	LABEL, SAFETY .....	1	



Property of [www.SmallEngineDiscount.com](http://www.SmallEngineDiscount.com) - Not for Resale

# ENGINE BRACKET

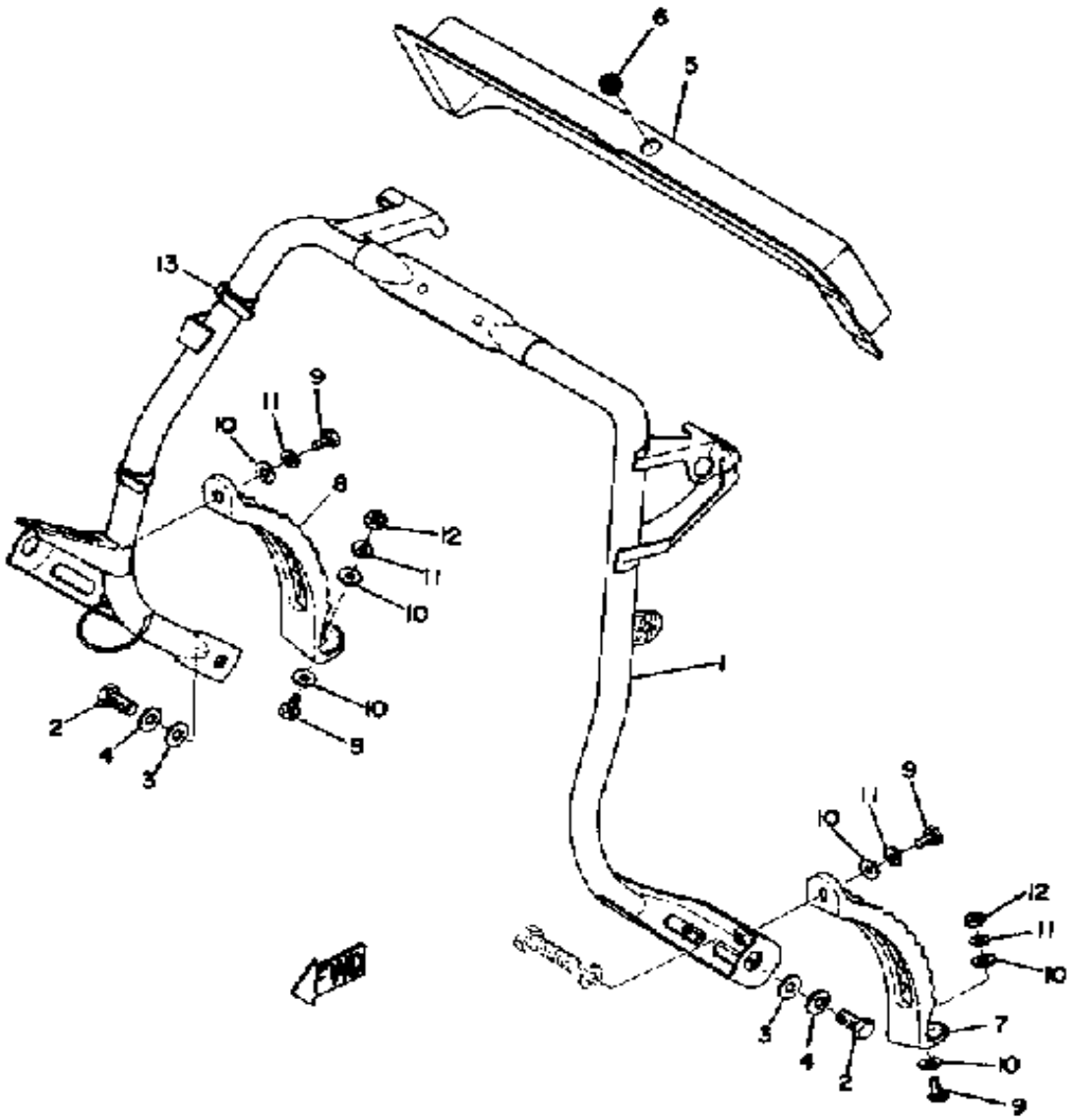


Ref. No.	Part Number	Description	Qty	Remarks
1	(839-21411-01-00)	BRACKET, ENGINE 1	1	
2	(90116-10084-00)	BOLT, STUD	4	
3	(839-21493-00-00)	WASHER, LOCK	4	
4	90185-10031-00	NUT, SELF-LOCKING	4	
5	(839-21419-01-00)	BRACKET, ENGINE 2	1	
6	839-21429-01-00	BRACKET, ENGINE 3	1	
7	(839-21489-00-00)	BRACKET, ENG LOWER	2	
8	(839-21482-00-00)	BOLT, ENG MNTNG 2	4	
9	90185-10030-00	NUT, SELF-LOCKING	4	
10	90101-10056-00	BOLT (823-21481-00)	3	
11	90208-10013-00	WASHER, CONICAL SPR	4	
12	(90106-10015-00)	BOLT, DOME HEAD	1	
13	844-77315-00-00	BRACKET 1	1	
14	(841-77311-00-00)	GUARD, DRIVE	1	
15	(853-77324-00-00)	KNOB	1	
16	90501-16103-00	SPRING, COMPRESSION	2	
17	90201-06063-00	WASHER, PLATE	2	
18	91690-25016-00	PIN, SPRING	1	
19	(806-77324-00-00)	KNOB	1	
20	91609-40018-00	PIN, SPRING	1	

Property of [www.SmallEngineDiscount.com](http://www.SmallEngineDiscount.com) - Not for Resale



# STEERING GATE

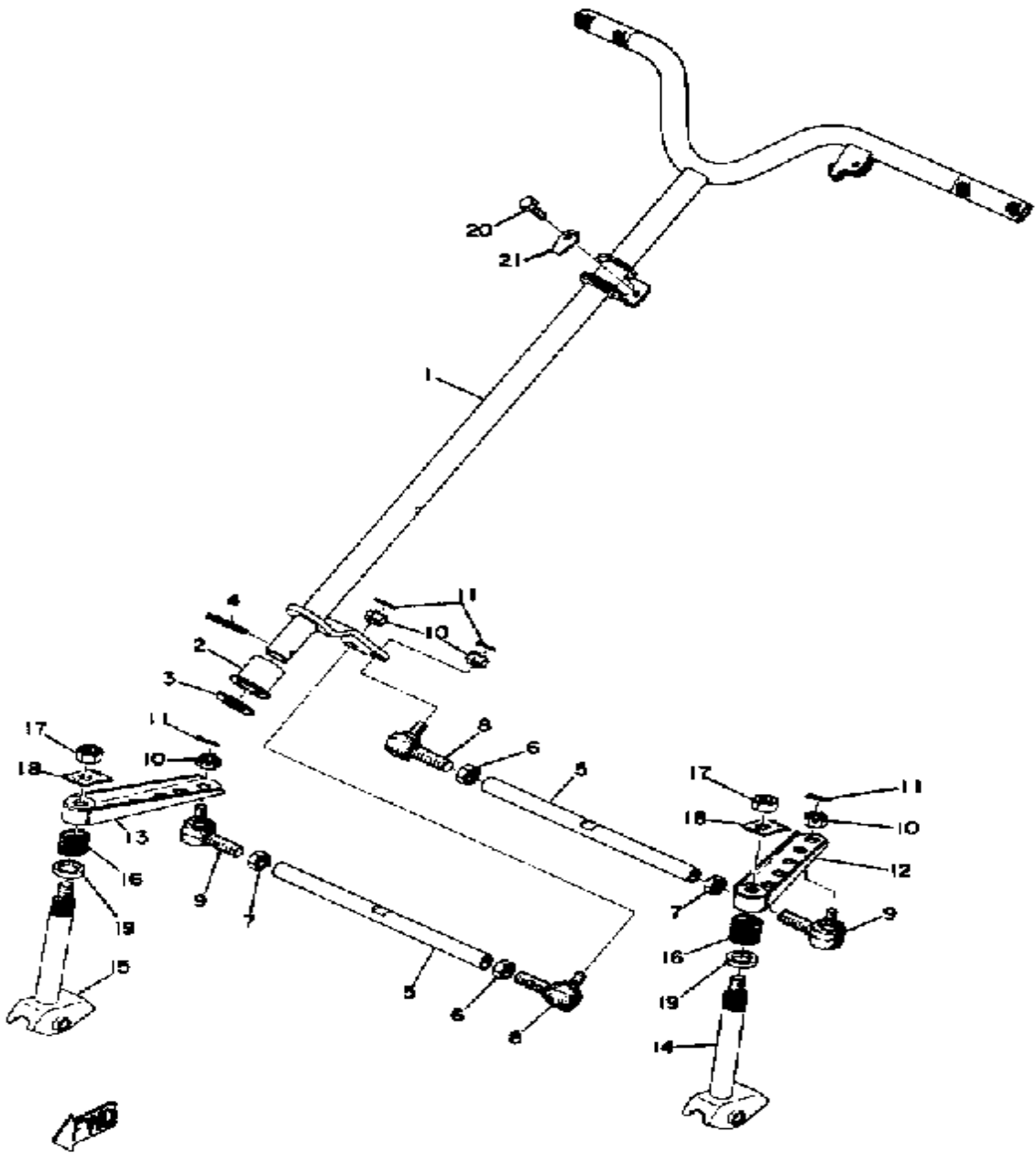


Ref. No.	Part Number	Description	Qty	Remarks
1	(853-23870-00-00)	STEERING GATE .....	1	
2	97026-08018-00	BOLT .....	2	
3	90125-08066-00	UNAVAILABLE IN PRICE BOOK	2	
4	90201-08624-00	WASHER, PLATE .....	2	
5	(853-77711-00-00)	PANEL, INSTRUMENT .....	1	
6	90480-13018-00	GROMMET .....	1	
7	(841-27411-00-00)	FOOTREST 1 .....	1	
8	(841-27421-00-00)	FOOTREST 2 .....	1	
9	97013-06012-00	BOLT .....	4	
10	92990-06200-00	WASHER .....	6	
11	92995-06100-00	WASHER, SPRING .....	4	
12	95380-06600-00	NUT .....	2	
13	437-83936-11-00	BAND, SWITCH CORD .....	2	

Property of [www.SmallEngineDiscount.com](http://www.SmallEngineDiscount.com) - Not for Resale



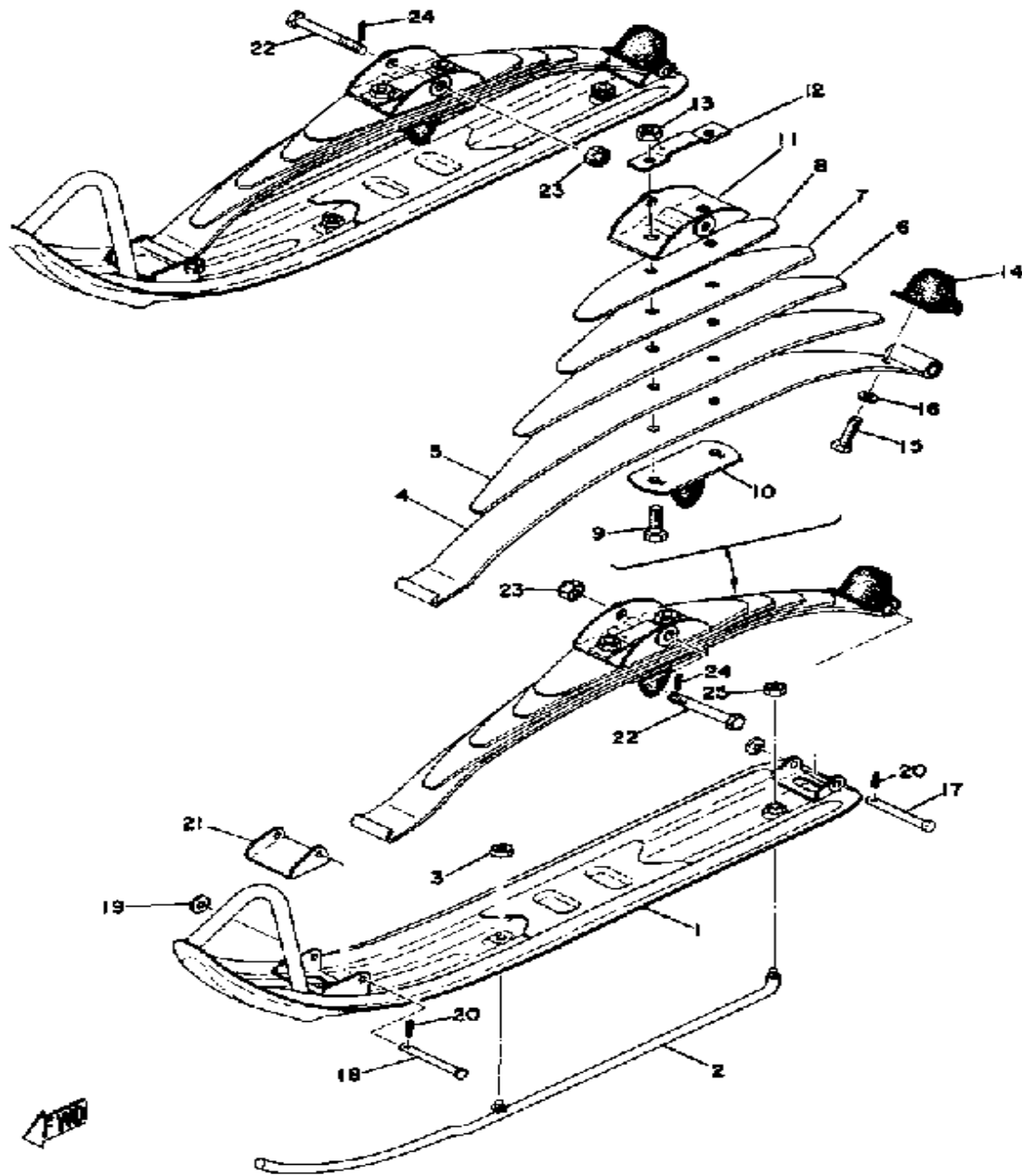
# STEERING



Ref. No.	Part Number	Description	Qty	Remarks
1	(853-23811-00-00)	COLUMN, STEERING	1	
2	(853-23875-00-00)	BEARING, STRG LOWER	1	
3	(841-23812-01-00)	BEARING, STEERING	1	
4	91609-60045-00	PIN, SPRING	1	
5	(853-23821-00-00)	ROD, STEERING RELAY	2	
6	90170-12055-00	NUT	2	
7	90170-12054-00	NUT	2	
8	(821-23841-90-00)	JOINT, UNIVERSAL 1	2	
9	(821-23845-90-00)	JOINT, UNIVERSAL 2	2	
10	90171-10002-00	NUT, CASTLE	4	
11	91401-25030-00	PIN, COTTER	4	
12	(841-23851-01-00)	ARM, OUTSIDE 1	1	
13	841-23852-01-00	ARM, OUTSIDE 2	1	
14	853-23853-01-00	COLUMN, SKI 1	1	
15	853-23854-01-00	COLUMN, SKI 2	1	
16	90501-35154-00	SPRING, COMPRESSION	2	
17	95306-12600-00	NUT	2	
18	90215-12037-00	WASHER, LOCK	2	
19	90560-20037-00	SPACER	2	
20	97313-06020-00	BOLT, HEXAGON	2	
21	(90215-06038-00)	WASHER, LOCK	2	

Property of [www.SmallEngineDiscount.com](http://www.SmallEngineDiscount.com) - Not for Resale

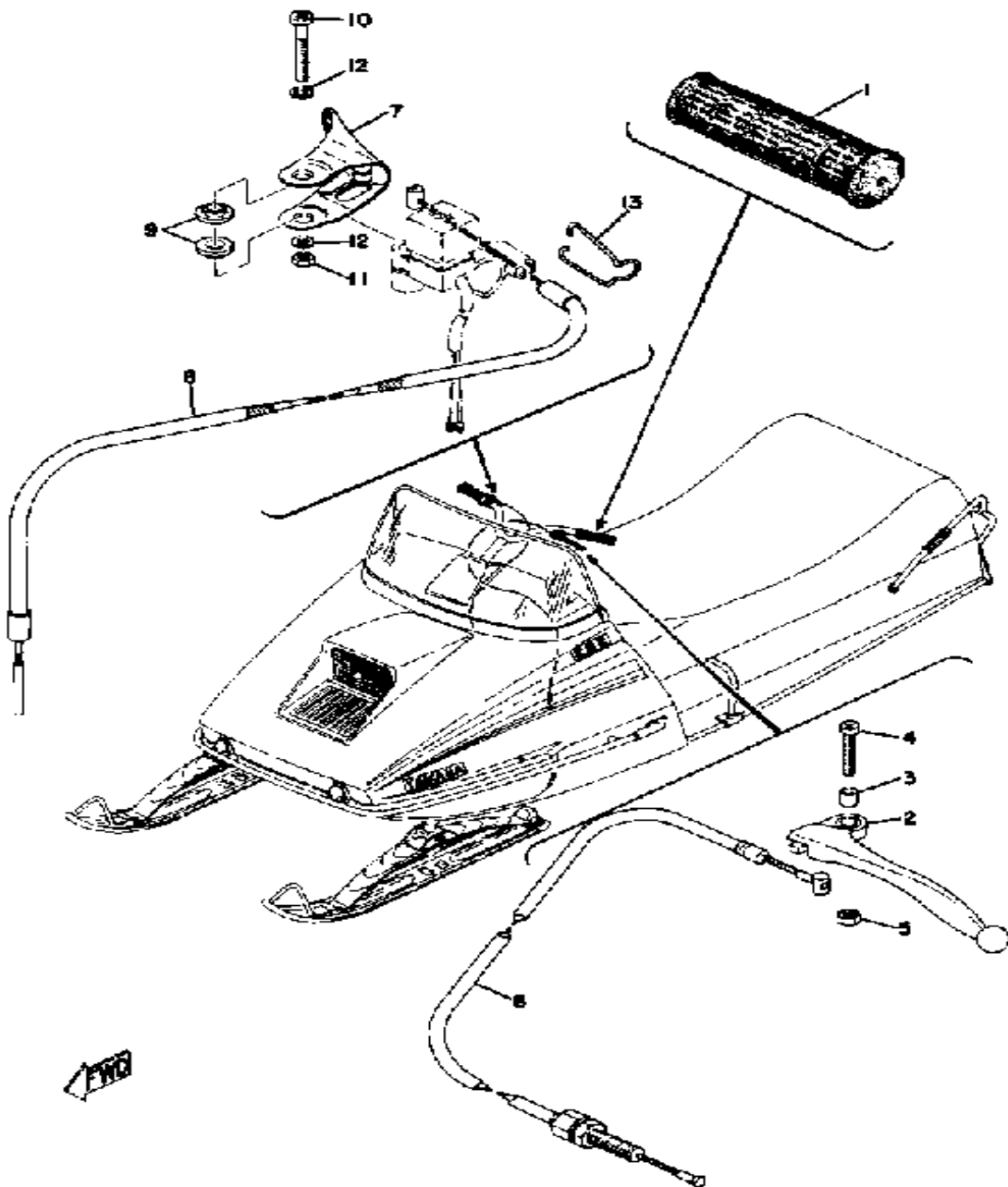
# SKI



Ref. No.	Part Number	Description	Qty	Remarks
1	(853-23710-01-00)	SKI 1 .....	2	
2	853-23731-00-XX	SKI RUNNER, (SV80) .....	2	
3	95336-08600-00	NUT .....	2	
4	841-23761-02-00	. LEAF 1 .....	2	
5	(841-23762-02-00)	LEAF 2 .....	2	
6	(841-23763-01-00)	LEAF 3 .....	2	
7	841-23764-01-00	. LEAF 4 .....	2	
8	841-23771-01-00	. LEAF 5 .....	2	
9	90101-10060-00	. BOLT .....	4	
10	878-23768-00-00	. SEAT, SPRING 1 .....	2	
11	806-23766-00-00	. SADDLE 1 .....	2	
12	90209-10069-00	. WASHER, SPEC'L SHAP ...	2	
13	95336-10600-00	. NUT .....	4	
14	(841-23743-01-00)	STOPPER 1 .....	2	
15	90101-06576-00	. BOLT .....	2	
16	92995-06100-00	. WASHER, SPRING .....	2	
17	90240-08018-00	PIN, CLEVIS .....	2	
18	90240-08019-00	PIN, CLEVIS .....	2	
19	92906-08200-00	WASHER .....	4	
20	91401-30020-00	PIN, COTTER .....	4	
21	853-23735-00-00	PLATE, WEAR 1 .....	2	
22	90102-10023-00	BOLT, WITH HOLE .....	2	
23	95306-10900-00	NUT, SLOTTED .....	2	
24	91490-20025-00	PIN, SPLIT .....	2	
25	90185-08055-00	NUT, SELF-LOCKING .....	2	
-1	(853-23760-00-00)	SPRING ASSEMBLY 1 .....	1	
	(853-23770-00-00)	SPRING ASSEMBLY 2 .....	1	

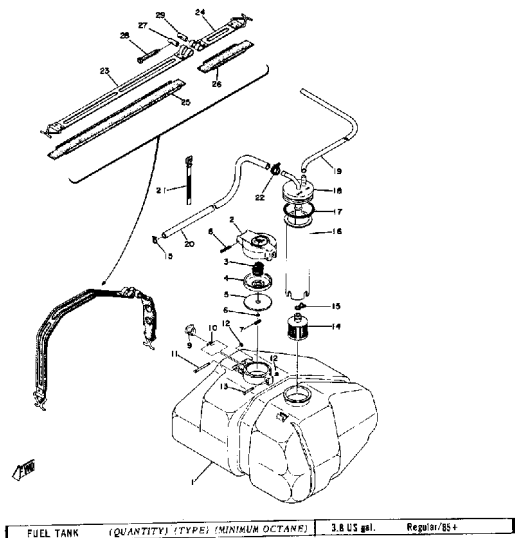
Property of [www.SmallEngineDiscount.com](http://www.SmallEngineDiscount.com) - Not for Resale

# GRIP WIRING



Ref. No.	Part Number	Description	Qty	Remarks
1	801-26241-01-00	GRIP .....	2	
2	803-83912-00-38	LEVER 1 .....	1	
3	802-83913-00-00	COLLAR, LEVER 1 .....	1	
4	90157-05006-00	SCREW, PAN HEAD (803-83915-00) .....	1	
5	95311-05700-00	NUT .....	1	
6	810-26340-00-00	CABLE, BRAKE .....	1	
7	8G8-42138-00-00	. LEVER, THROTTLE .....	1	
	90387-06681-00	. COLLAR .....	2	
	98580-06550-00	. SCREW PAN HEAD (92503-06050) .....	1	
	99999-01028-00	THROTTLE LEVER .....	1	
8	841-26311-00-00	CABLE, THROTTLE 1 .....	1	
9	90387-062M9-00	COLLAR .....	2	
10	90157-06004-00	SCREW, PAN HEAD (810-83925-00) .....	1	
11	95380-06700-00	NUT .....	1	
12	92990-06200-00	WASHER .....	2	
13	90468-10017-00	CLIP (821-26391-00) .....	1	

Property of [www.SmallEngineDiscount.com](http://www.SmallEngineDiscount.com) - Not for Resale



FUEL TANK (QUANTITY) (TYPE) (MINIMUM OCTANE) 3.8 US gal. Regular/85+

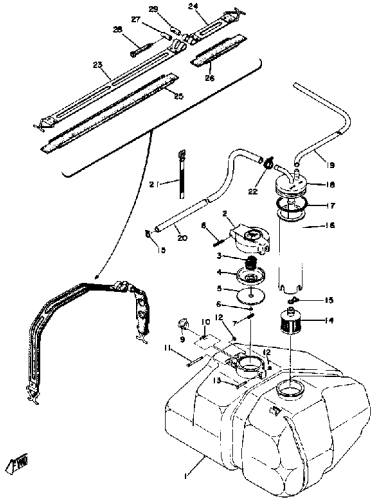
# FUEL TANK

Ref. No.	Part Number	Description	Qty	Remarks
1	853-24111-01-00	FUEL TANK .....	1	
2	813-24611-01-00	BODY, CAP .....	1	
3	90501-20130-00	SPRING, COMPRESSION .....	1	
4	813-24613-01-00	DISC, CAP .....	1	
5	256-24612-00-00	GASKET, CAP .....	1	
6	93210-04122-00	O-RING .....	1	
7	91609-30016-00	PIN, SPRING .....	1	
8	91609-25032-00	PIN, SPRING .....	1	
9	83M-24628-00-00	HOOK .....	1	
10	90508-08003-00	SPRING, TORSION (813-24637-00) .....	1	
11	90249-03017-00	PIN .....	1	
12	93430-02001-00	CIRCLIP .....	2	
13	90249-03016-00	PIN, SPEC"L SHAPE .....	1	
14	8H5-24560-00-00	FILTER ASSEMBLY .....	1	
15	90467-11009-00	CLIP .....	2	
16	(829-24336-00-00)	PIPE, SUCTION 2 .....	1	
17	90506-06065-00	SPRING, TENSION .....	1	
18	853-24335-00-00	PIPE, SUCTION 1 .....	1	
19	90446-09016-00	HOSE .....	1	
20	91A20-07070-00	HOSE .....	1	
21	437-83936-01-00	BAND, SWITCH CORD .....	1	
22	90460-11002-00	CLAMP, HOSE .....	1	
23	853-24173-00-00	BAND, TNK FITTING 1 .....	1	
24	853-24199-00-00	BAND, TNK FITTING 2 .....	1	
25	(853-24183-00-00)	DAMPER, LOCATING 3 .....	1	
26	(853-24184-00-00)	DAMPER, LOCATING 4 .....	1	
27	806-24135-00-00	CLAMP 1 .....	1	
28	90149-05006-00	SCREW, SPEC"L SHAPE (821-24176-00) .....	1	

CONTINUED ON NEXT FRAME ➤

Property of [www.SmallEngineDiscount.com](http://www.SmallEngineDiscount.com) - Not for Resale

# FUEL TANK



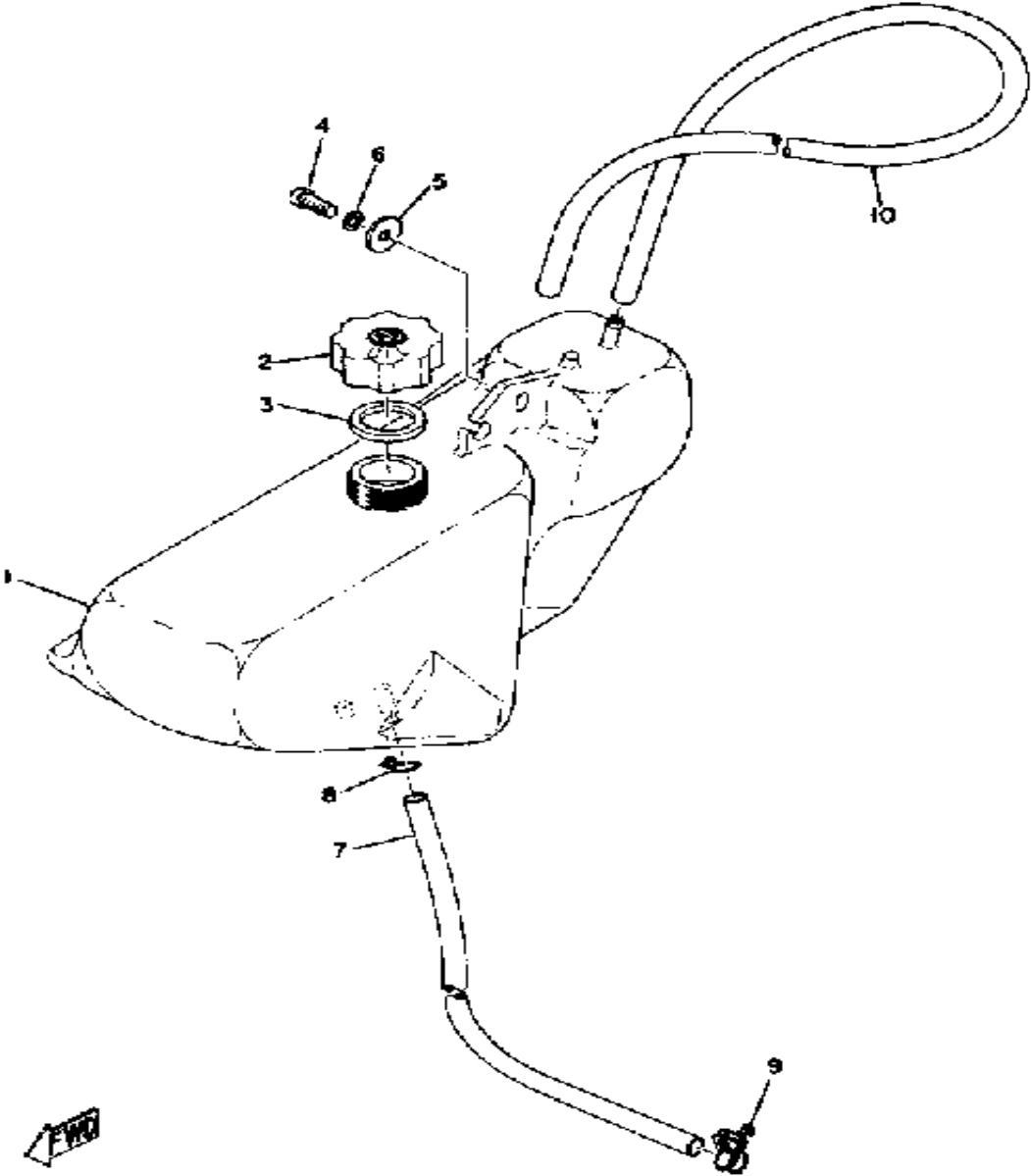
FUEL TANK (QUANTITY) (TYPE) (MINIMUM OCTANE) 3.8 US gal. Regular/85+

Ref. No.	Part Number	Description	Qty	Remarks
29	90179-05030-00	NUT, SPEC'L SHAPE (806-24146-00)	1	

Property of [www.SmallEngineDiscount.com](http://www.SmallEngineDiscount.com) - Not for Resale

C10

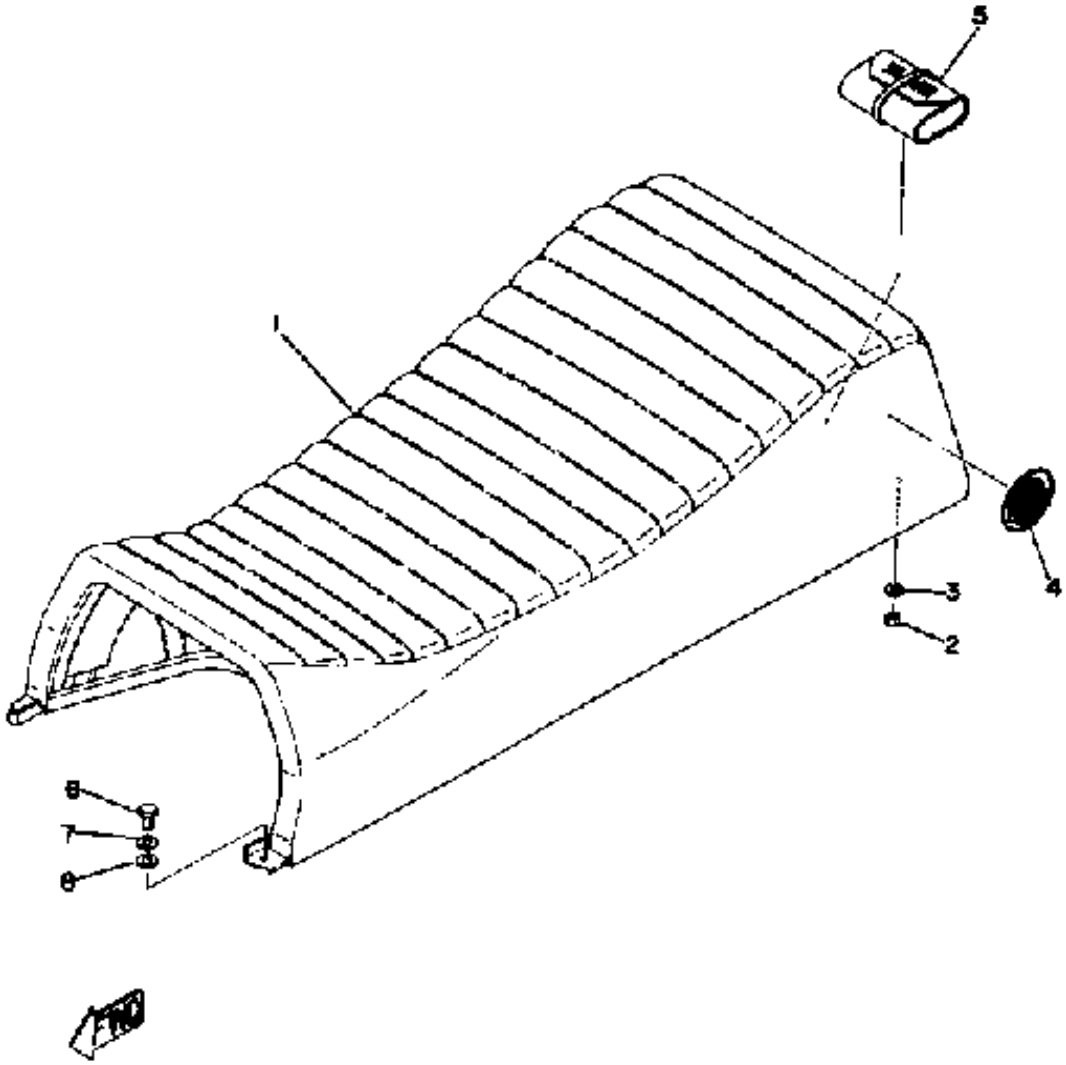
# OIL TANK



Ref. No.	Part Number	Description	Qty	Remarks
1	UNA-VAILA-BL-EI	0 0 .....		
2	296-21771-62-00	BODY, CAP .....	1	
3	296-21772-00-00	GASKET, CAP .....	1	
4	98580-05016-00	SCREW, PAN HEAD .....	1	
5	90201-05036-00	WASHER, PLATE .....	1	
6	92990-05100-00	WASHER, SPRING .....	1	
7	804-46090-14-00	UNAVAILABLE IN PRICE BOOK	1	
8	810-24356-00-00	CLIP, PIPE 1 .....	1	
9	90460-09001-00	CLAMP, HOSE .....	1	
10	90446-09092-00	HOSE .....	1	

Property of [www.SmallEngineDiscount.com](http://www.SmallEngineDiscount.com) - Not for Resale

# SEAT

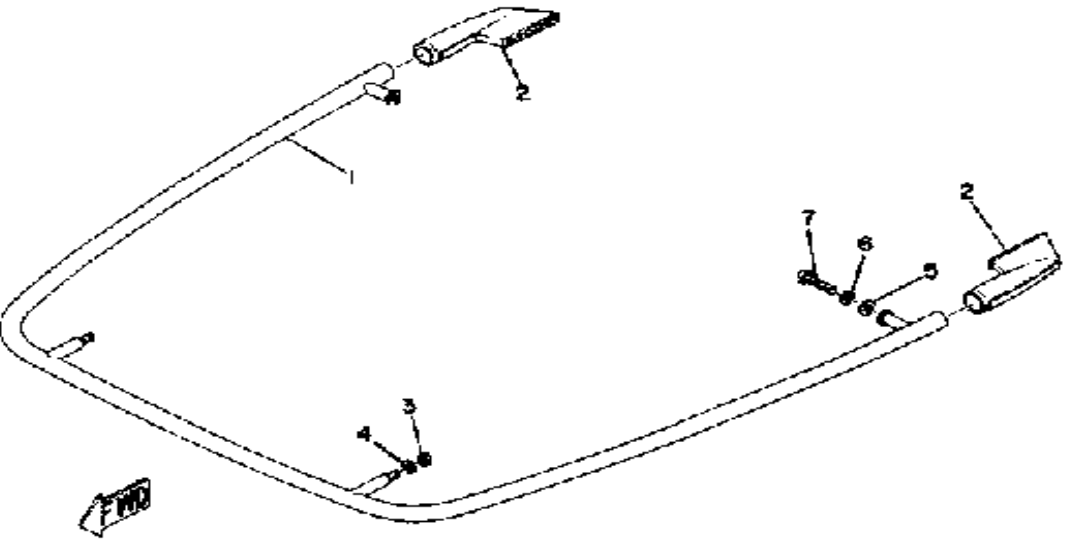
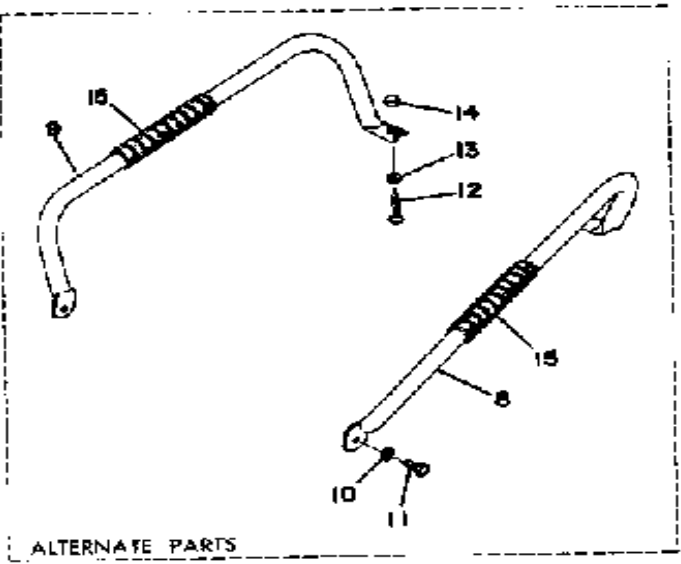


Ref. No.	Part Number	Description	Qty	Remarks
1	(853-24730-00-00)	DOUBLE SEAT ASSEMBLY ...	1	
2	90185-08089-00	NUT, SELF-LOCKING .....	2	
3	90208-08011-00	WASHER, CONICAL SPRING ..	2	
4	821-77352-00-00	EMBLEM 2 .....	2	
5	(821-28100-10-00)	TOOL KIT .....	1	
6	97026-06012-00	BOLT .....	2	
7	92995-06100-00	WASHER, SPRING .....	2	
8	92990-06200-00	WASHER .....	2	
1-1	853-24731-00-00	. COVER, DOUBLE SEAT .....	1	

Property of [www.SmallEngineDiscount.com](http://www.SmallEngineDiscount.com) - Not for Resale

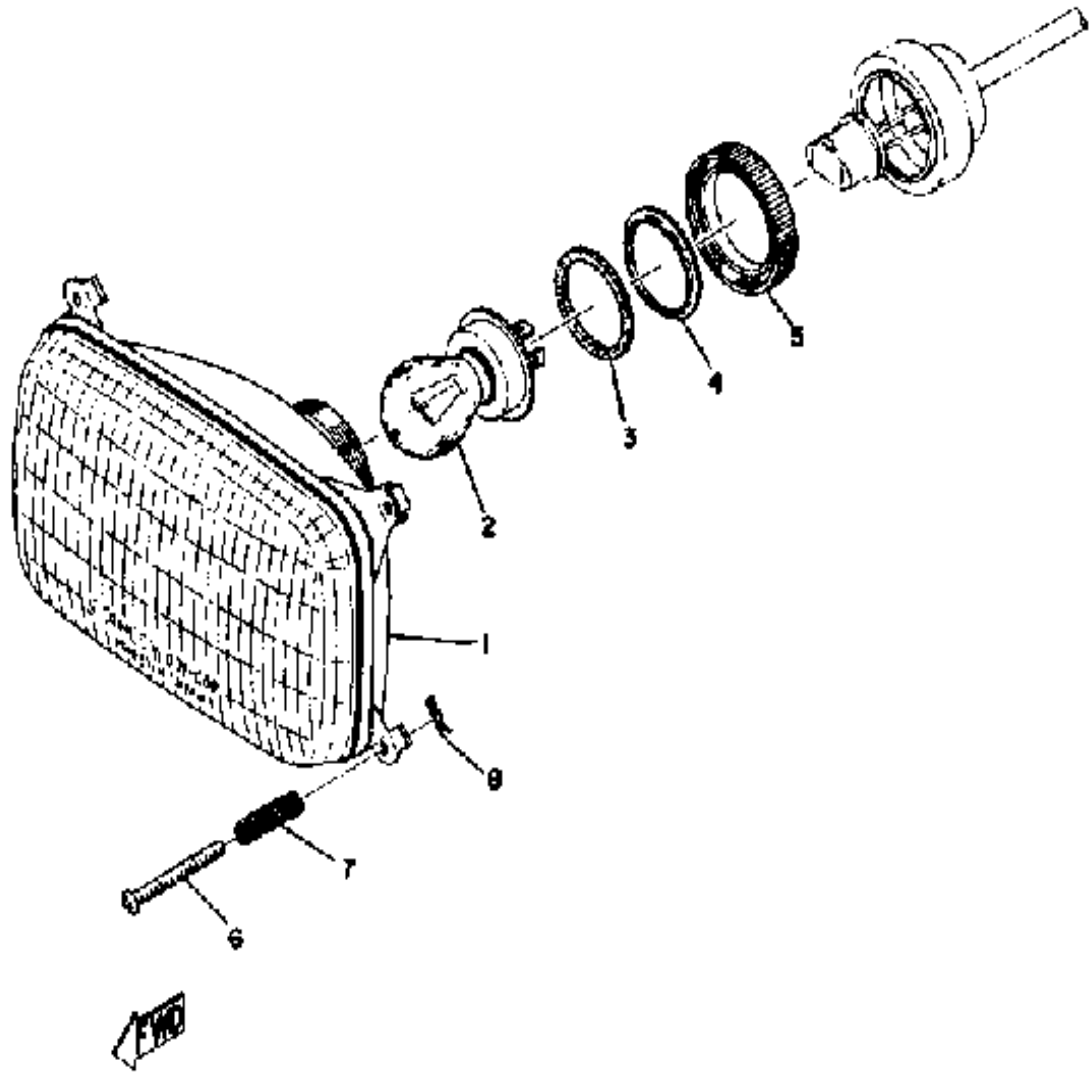


# BUMPER



Ref. No.	Part Number	Description	Qty	Remarks
1	853-77510-00-00	FRONT BUMPER .....	1	
2	838-77523-00-00	END, BUMPER .....	2	
3	95333-08600-00	NUT .....	2	
4	92990-08100-00	WASHER .....	2	
5	(90201-08456-00)	WASHER, PLATE .....	2	
6	92906-08100-00	WASHER, SPRING .....	2	
7	97306-08040-00	BOLT, HEXAGON .....	2	
8	UNA-VAILA-BL-EI	0 0 .....		
9	(853-77572-00-00)	GRIP, ASSIST 2 .....	1	
10	92995-06100-00	WASHER, SPRING .....	2	
11	97013-06012-00	BOLT .....	2	
12	98780-06030-00	SCREW, FLAT HEAD .....	2	
13	92990-06500-00	WASHER .....	2	
14	95303-06800-00	NUT (CROWN) .....	2	
15	838-77575-00-00	COVER, ASSIST GRIP .....	2	

Property of [www.SmallEngineDiscount.com](http://www.SmallEngineDiscount.com) - Not for Resale

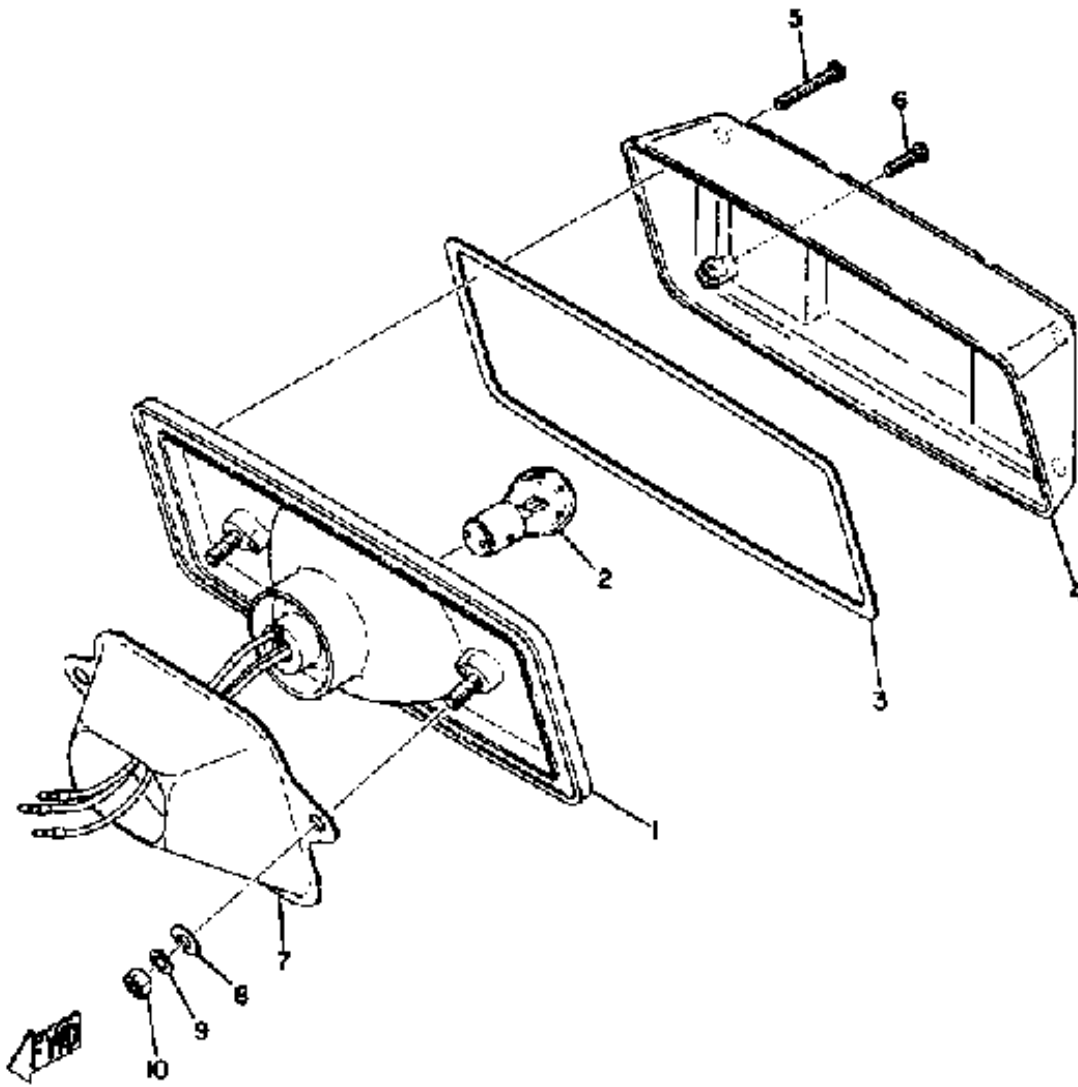


# HEADLIGHT

Ref. No.	Part Number	Description	Qty	Remarks
1	(838-84320-01-00)	LENS ASSEMBLY .....	1	
2	838-84314-00-00	. BULB, HEADLIGHT .....	1	
3	838-84327-00-00	. WASHER, SPECIAL .....	1	
4	838-84328-00-00	. SPACER .....	1	
5	838-84317-00-00	. NUT .....	1	
6	(853-84331-00-00)	SCREW, RIM ADJUSTING ....	4	
7	(853-84332-00-00)	SPRING, SCREW .....	4	
8	(807-84351-00-00)	CLAMP, CORD .....	4	
-1	(853-84310-00-00)	HEADLIGHT UNIT ASSEMBLY .	1	

Property of [www.SmallEngineDiscount.com](http://www.SmallEngineDiscount.com) - Not for Resale

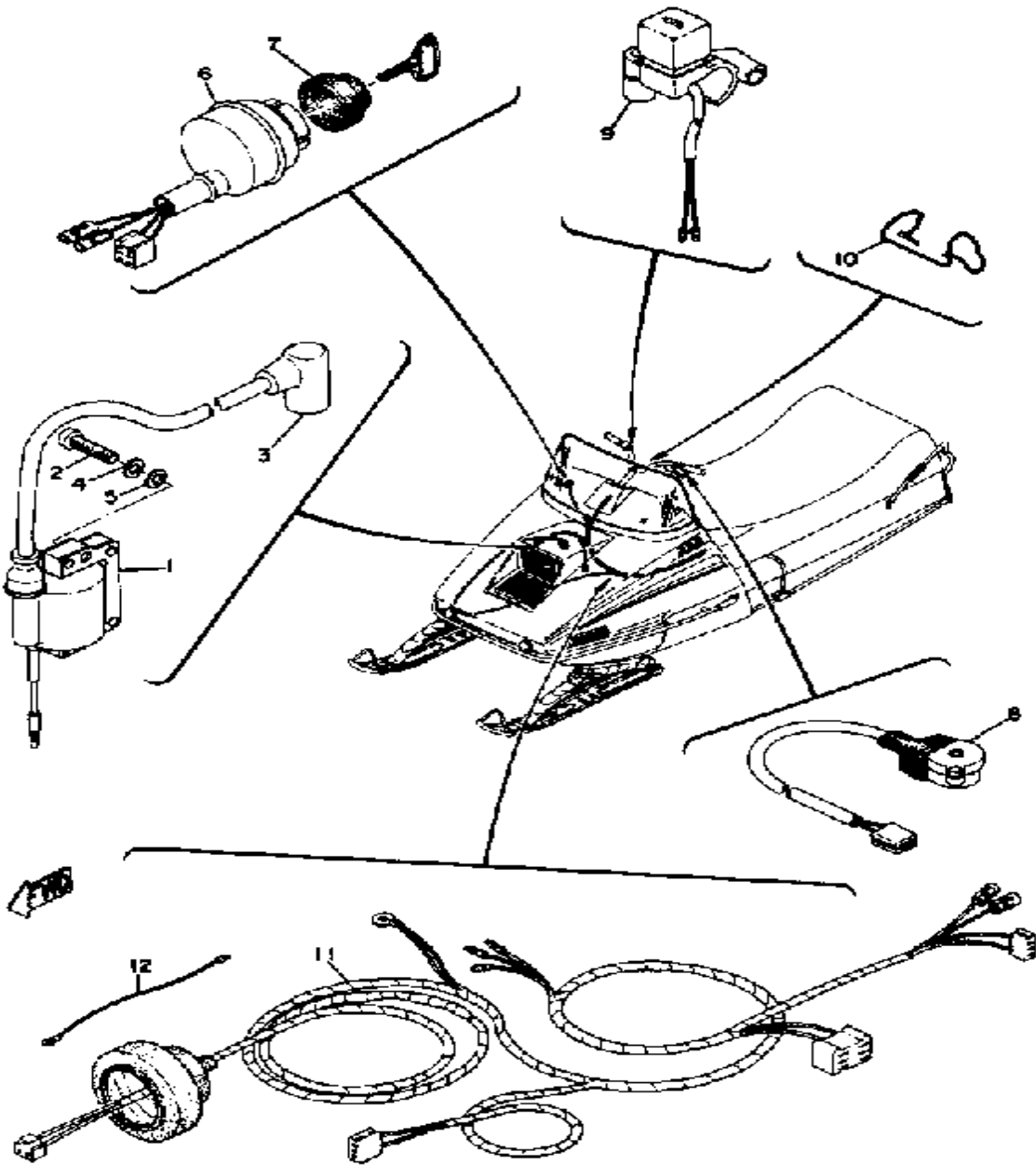
# TAILLIGHT



Ref. No.	Part Number	Description	Qty	Remarks
1	853-84710-00-00	. TAILLIGHT UNIT ASSEMBLY .	1	
2	137-84714-61-00	. BULB, TL 12V23/8W (J50-83311-00) .....	1	
3	821-84712-00-00	. SEAT, BASE .....	1	
4	821-84721-00-00	. LENS, TAILLIGHT .....	1	
5	98511-04030-00	. SCREW, PAN HEAD .....	2	
6	98503-04014-00	. SCREW, PAN HEAD .....	2	
7	(853-24796-00-00)	COVER .....	1	
8	92990-06200-00	WASHER .....	2	
9	92995-06100-00	WASHER, SPRING .....	2	
10	95380-06600-00	NUT .....	2	
-1	853-84710-00-00	TAILLIGHT UNIT ASSEMBLY ..	1	

Property of [www.SmallEngineDiscount.com](http://www.SmallEngineDiscount.com) - Not for Resale

# ELECTRICAL



Ref. No.	Part Number	Description	Qty	Remarks
1	(839-82310-40-00)	IGNITION COIL ASSEMBLY ...	1	
2	98506-06025-00	SCREW, PAN HEAD .....	2	
3	663-82370-01-00	PLUG CAP ASSEMBLY .....	1	
4	92906-06100-00	WASHER, SPRING .....	2	
5	92906-06200-00	WASHER .....	1	
6	(838-82508-20-00)	MAIN SWITCH ASSEMBLY ...	1	
7	806-82516-00-00	COLLAR, MAIN SWITCH .....	1	
8	822-82530-00-00	STOP SWITCH ASSEMBLY ...	1	
9	883-83976-00-00	SWITCH, HANDLE 1 .....	1	
10	(841-82594-00-00)	CLAMP .....	1	
11	(853-82590-20-00)	WIRE HARNESS ASSEMBLY ..	1	
12	(838-82519-00-00)	WIRE, EARTH LEAD .....	1	

Property of [www.SmallEngineDiscount.com](http://www.SmallEngineDiscount.com) - Not for Resale