



YAMAHA

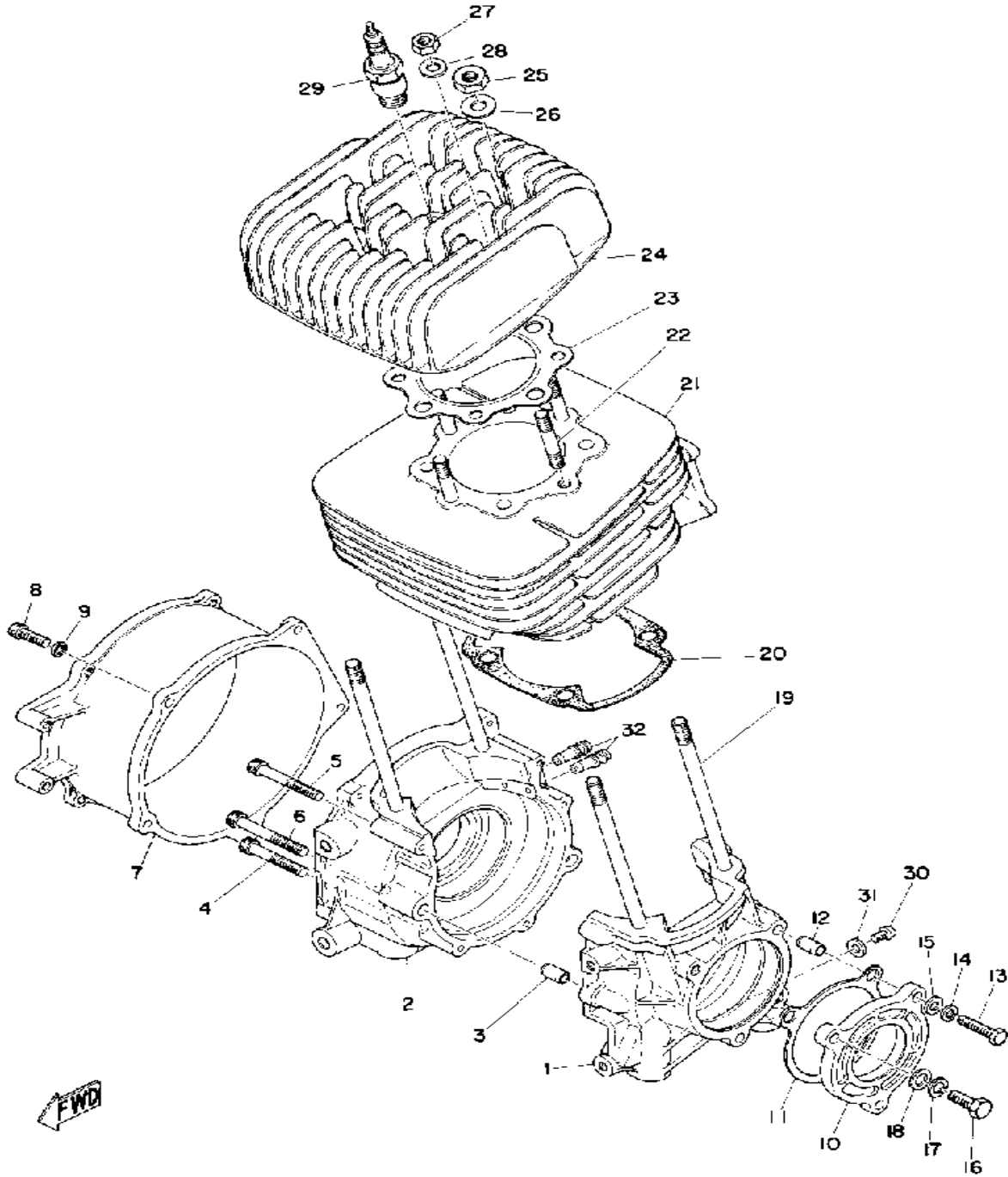
GENUINE

PARTS CATALOGUE

SNOWMOBILE

Property of www.SmallEngineDiscount.com - Not for Resale

CRANKCASE - CYLINDER

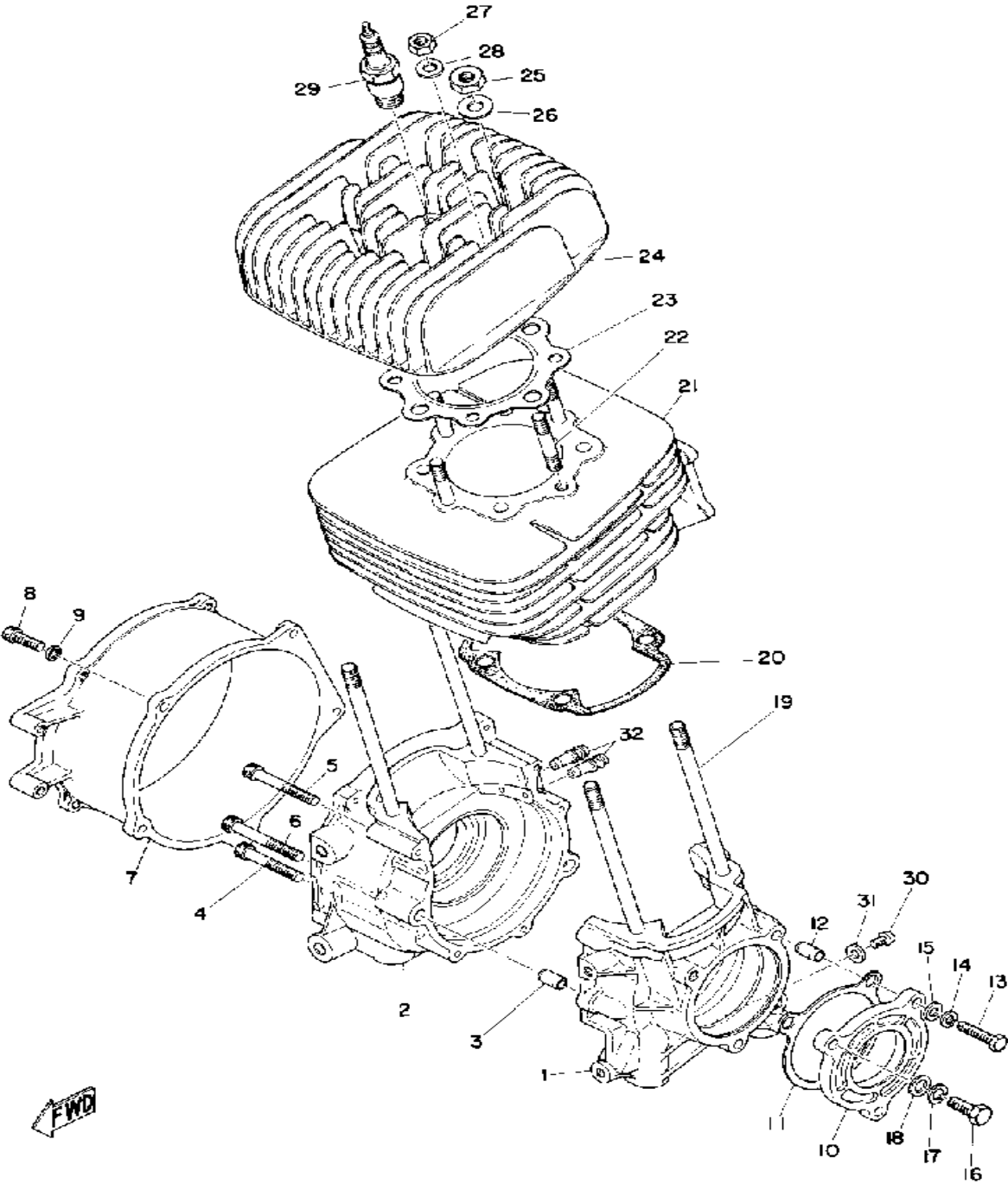


Ref. No.	Part Number	Description	Qty	Remarks
1-1	(856-15111-00-00)	CRANKCASE 1	1	
1-2	(856-15121-00-00)	CRANKCASE 2	1	
1-3	99530-10014-00	PIN, DOWEL	2	
1-4	(91318-06045-00)	BOLT, SOCKET HEAD	3	
1-5	(91318-06050-00)	BOLT, SOCKET HEAD	2	
1-6	91316-06055-00	BOLT, SOCKET HEAD	2	
1-7	(856-15421-00-00)	COVER, CRANKCASE R	1	
1-8	91311-06020-00	BOLT, SOCKET HEAD	5	
1-9	92995-06100-00	WASHER, SPRING	5	
1-10	(856-15396-00-00)	HOUSING, OIL SEAL	1	
1-11	(856-15397-00-00)	GASKET, O/SL HSNG	1	
1-12	99510-08016-00	PIN, DOWEL	2	
1-13	97313-06030-00	BOLT, HEXAGON	2	
1-14	92995-06100-00	WASHER, SPRING	2	
1-15	92990-06200-00	WASHER	2	
1-16	97313-08020-00	BOLT, HEXAGON	1	
1-17	92990-08100-00	WASHER	1	
1-18	92990-08200-00	WASHER, PLAIN	1	
1-19	90116-10094-00	BOLT, STUD (90116-10093)	4	
1-20	(856-11351-00-00)	GASKET, CYLINDER	1	
1-21	(856-11311-00-00)	CYLINDER 1	1	
1-22	90116-08057-00	BOLT, STUD	4	
1-23	856-11181-00-00	GASKET, CYLINDER HEAD 1	1	
1-24	(856-11111-00-00)	HEAD, CYLINDER 1	1	
1-25	95303-10600-00	NUT (95301-10600)	4	
1-26	92990-10200-00	WASHER, PLAIN	4	
1-27	95333-08600-00	NUT	4	
1-28	92990-08200-00	WASHER, PLAIN	4	
1-29	NGK-B10EV-00-00	NGK B10EV 4PK	4	CHAMPION

CONTINUED ON NEXT FRAME ➤

Property of www.SmallEngineDiscount.com - Not for Resale

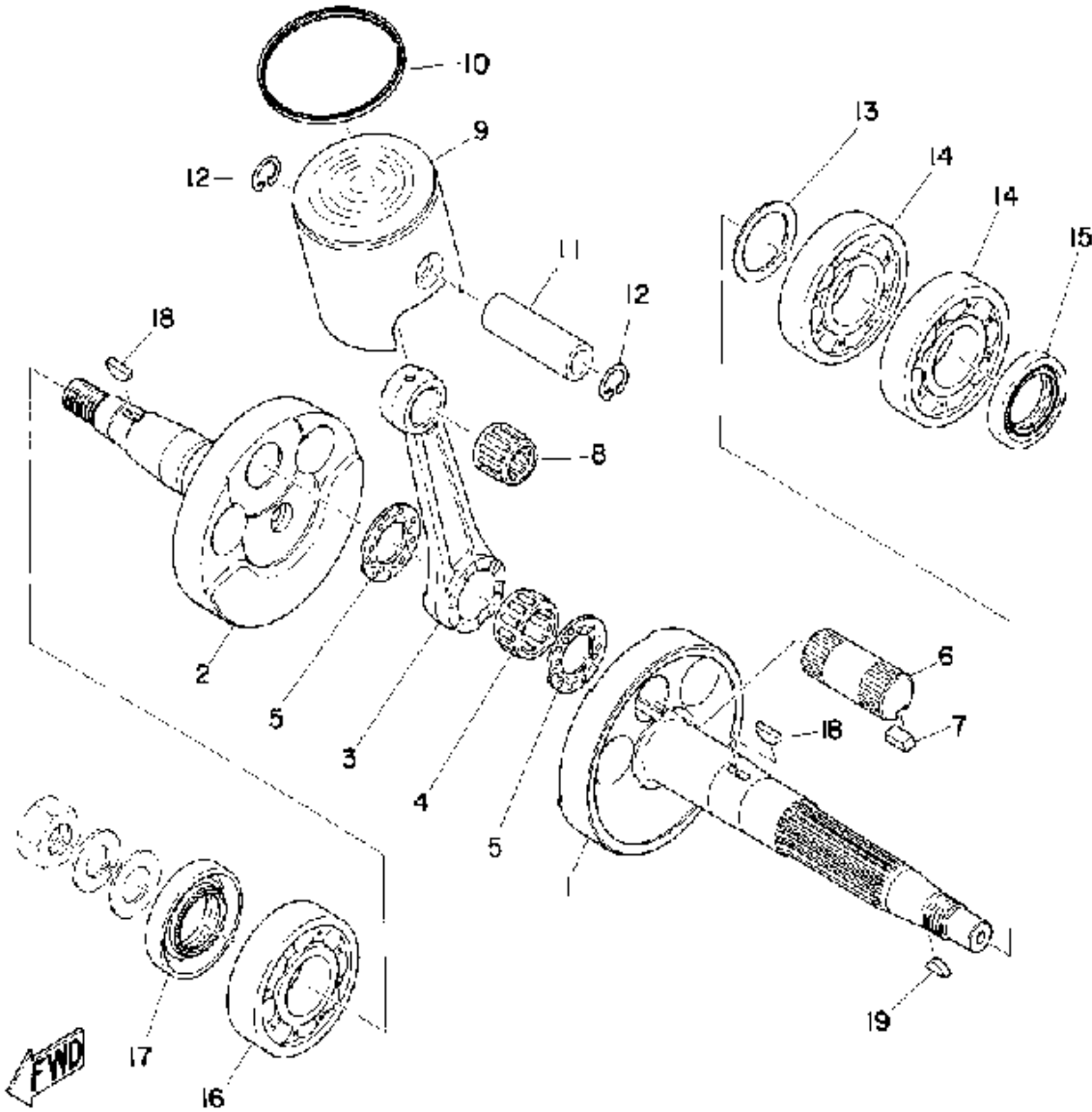
CRANKCASE - CYLINDER



Ref. No.	Part Number	Description	Qty	Remarks
1-30	98580-06010-00	SCREW, PAN HEAD (92503-06010)	1	
1-31	90430-06016-00	GASKET	1	
1-32	J38-11116-00-00	JOINT, BREATHER	2	

Property of www.SmallEngineDiscount.com - Not for Resale

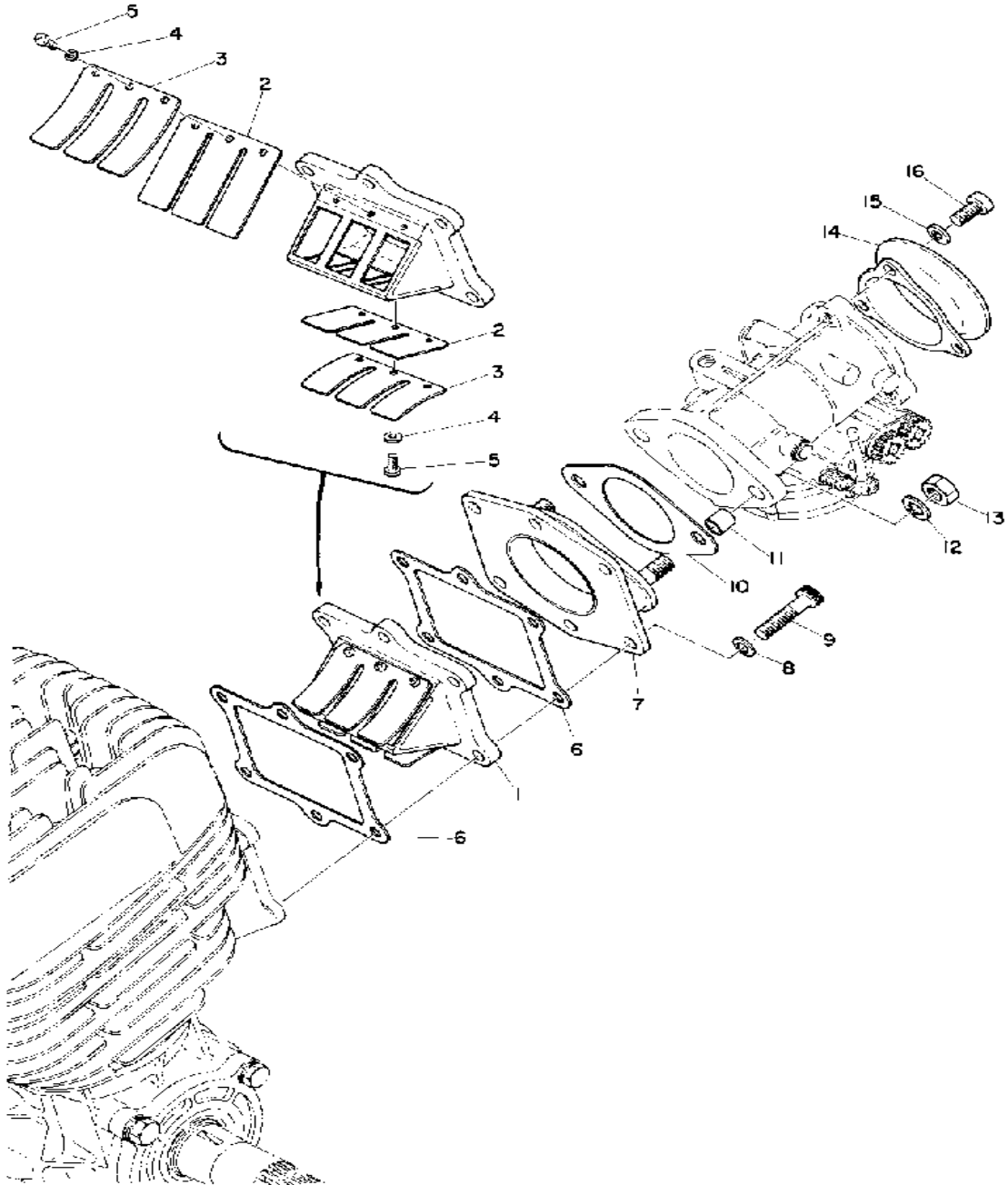
CRANK - PISTON



Ref. No.	Part Number	Description	Qty	Remarks
2-1	(856-11412-00-00)	CRANK 1	1	
2-2	(856-11422-00-00)	CRANK 2	1	
2-3	839-11651-00-00	. ROD, CONNECTING	1	
2-4	93310-42497-00	. BEARING, CYLINDER.# 0	1	
2-5	90209-24073-00	. WASHER	2	
2-6	856-11683-00-00	. PIN, CRANK 2	1	
2-7	(90281-07001-00)	KEY, SLIDING	1	
2-8	93310-218A6-00	BEARING	1	
2-9	856-11631-00-96	PISTON STD	1	
2-10	(856-11611-00-00)	RING, PISTON STD	1	
2-11	214-11633-00-00	PIN, PISTON	1	
2-12	93450-20026-00	CIRCLIP	2	
2-13	(90564-36001-00)	SHIM	1	
2-14	(93306-30608-00)	BEARING	2	
2-15	93103-32082-00	OIL SEAL, SW-TYPE	1	
2-16	(93306-30609-00)	BEARING	1	
2-17	93103-32061-00	OIL SEAL, SW-TYPE	1	
2-18	90280-16053-00	KEY, WOODRUFF	2	
2-19	90280-04001-00	KEY, WOODRUFF	1	
2-0-1	(856-11400-00-00)	CRANKSHAFT ASSEMBLY	1	

Property of www.SmallEngineDiscount.com - Not for Resale

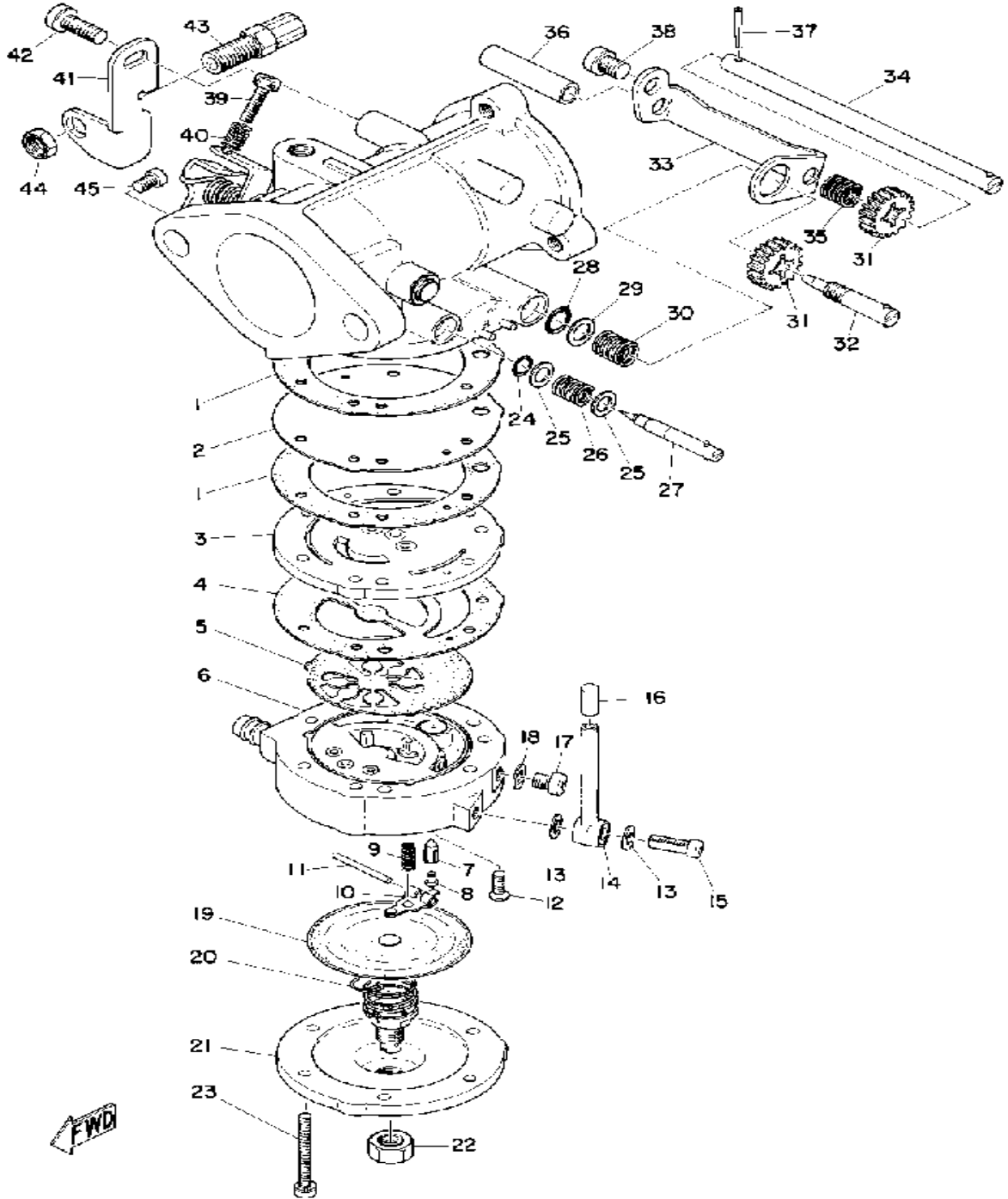
INTAKE



Ref. No.	Part Number	Description	Qty	Remarks
3-1	(856-13610-00-00)	REED VALVE ASSEMBLY	1	
3-2	(856-13613-00-00)	REED, VALVE	2	
3-3	(856-13616-00-00)	STOPPER, REED VALVE	2	
3-4	92990-03100-00	. WASHER, SPRING (92901-03100)	6	
3-5	98580-03008-00	. SCREW, PAN HEAD	6	
3-6	(856-13621-00-00)	GASKET, VALVE SEAT	2	
3-7	856-13565-02-00	JOINT, CARBURETOR	1	
3-8	92995-06100-00	WASHER, SPRING	6	
3-9	91316-06025-00	BOLT	6	
3-10	(856-13556-00-00)	GASKET, MANIFOLD	1	
3-11	(810-13576-00-00)	SPACER	2	
3-12	92990-08100-00	WASHER	2	
3-13	95303-08700-00	NUT	2	
3-14	(810-14479-00-00)	FUNNEL	1	
3-15	92990-06200-00	WASHER	3	
3-16	98503-06014-00	SCREW, PAN HEAD (92502-06016)	3	

Property of www.SmallEngineDiscount.com - Not for Resale

CARBURETOR

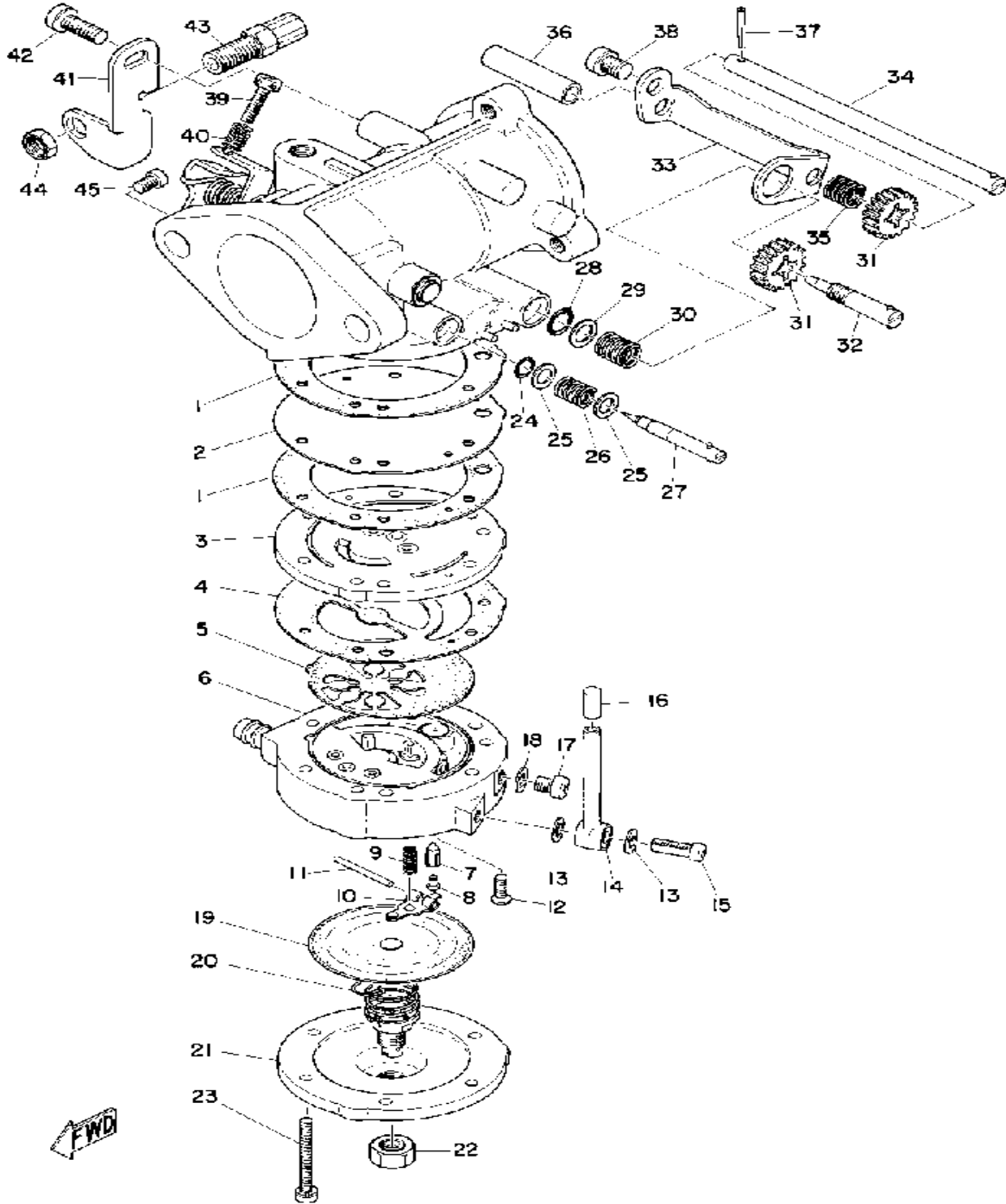


Ref. No.	Part Number	Description	Qty	Remarks
4-1	838-14536-00-00	. GASKET	2	
4-2	834-14541-00-00	. DIAPHRAGM, PUMP	1	
4-3	(838-14542-00-00)	BODY, PUMP 1	1	
4-4	834-14553-00-00	. GASKET	1	
4-5	806-14552-01-00	. VALVE, CHECK	1	
4-6	(856-14543-00-00)	BODY, PUMP 2	1	
4-7	838-14546-00-00	. VALVE, NEEDLE	1	
4-8	676-14186-00-00	. PIN, FLOAT	1	
4-9	810-14556-00-00	. SPRING	1	
4-10	(810-14547-00-00)	ARM, FLOAT	1	
4-11	(806-14548-00-00)	PIN, FLOAT ARM	1	
4-12	98702-03008-00	. SCREW, FLAT HEAD	1	
4-13	806-14559-00-00	. WASHER	2	
4-14	810-14197-02-00	. PIPE, AIRVENT	1	
4-15	8A1-14592-00-00	. SCREW	1	
4-16	(810-24462-00-00)	CAP, BLIND	1	
4-17	(806-14567-01-00)	SCREW	1	
4-18	810-14597-00-00	. WASHER	1	
4-19	810-14545-00-00	. DIAPHRAGM	1	
4-20	(856-14565-00-00)	SCREW, STOP	1	
4-21	(813-14544-00-00)	BODY, PUMP 3	1	
4-22	95303-08700-00	. NUT	1	
4-23	(824-14567-00-00)	SCREW	6	
4-24	824-14563-00-00	. O-RING	1	
4-25	838-14596-00-00	. WASHER	2	
4-26	(824-14531-00-00)	SPRING, AJST SCREW	1	
4-27	(838-14522-00-00)	SCREW, ADJUST	1	
4-28	824-14564-00-00	. O-RING	1	
4-29	838-14597-00-00	. WASHER	1	

CONTINUED ON NEXT FRAME ➤

Property of www.SmallEngineDiscount.com - Not for Resale

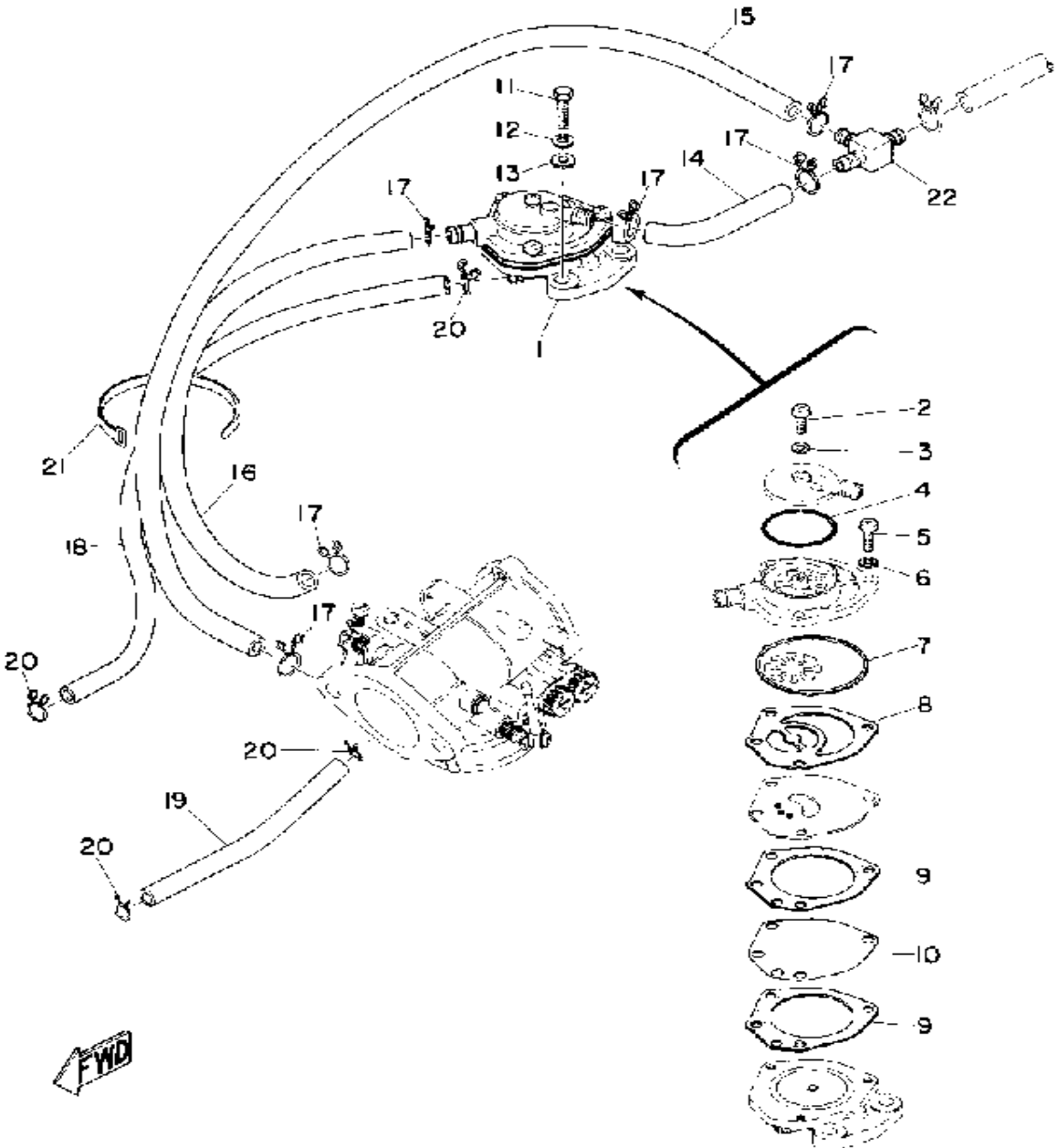
CARBURETOR



Ref. No.	Part Number	Description	Qty	Remarks
4-30	(821-14533-00-00)	SPRING, AJST SCREW	1	
4-31	(844-42152-00-00)	GEAR	2	
4-32	(856-14521-00-00)	SCREW, ADJUST	1	
4-33	(856-14527-00-00)	PLATE	1	
4-34	(856-41258-00-00)	SHAFT, LINK	1	
4-35	(856-14533-00-00)	SPRING, AJST SCREW	1	
4-36	(856-14534-00-00)	COLLAR	1	
4-37	(856-14550-00-00)	PIN, SPRING	1	
4-38	(856-14567-00-00)	SCREW	1	
4-39	(806-14523-00-00)	SCREW, STOP	1	
4-40	(806-14533-00-00)	SPRING, AJST SCREW	1	
4-41	(857-14571-00-00)	BRACKET, THROTTLE	1	
4-42	(844-14567-00-00)	SCREW	1	
4-43	857-14576-00-00	. ADJUSTER, CABLE	1	
4-44	(857-14594-00-00)	NUT	1	
4-45	(823-14500-80-00)	CARBURETOR KIT	1	ALTERNATE PARTSALCOHOL
	98511-04006-00	. SCREW, PAN HEAD (98501-04005)	1	
	4-0-1(856-14501-00-00)	CARBURETOR ASSEMBLY 1	1	

Property of www.SmallEngineDiscount.com - Not for Resale

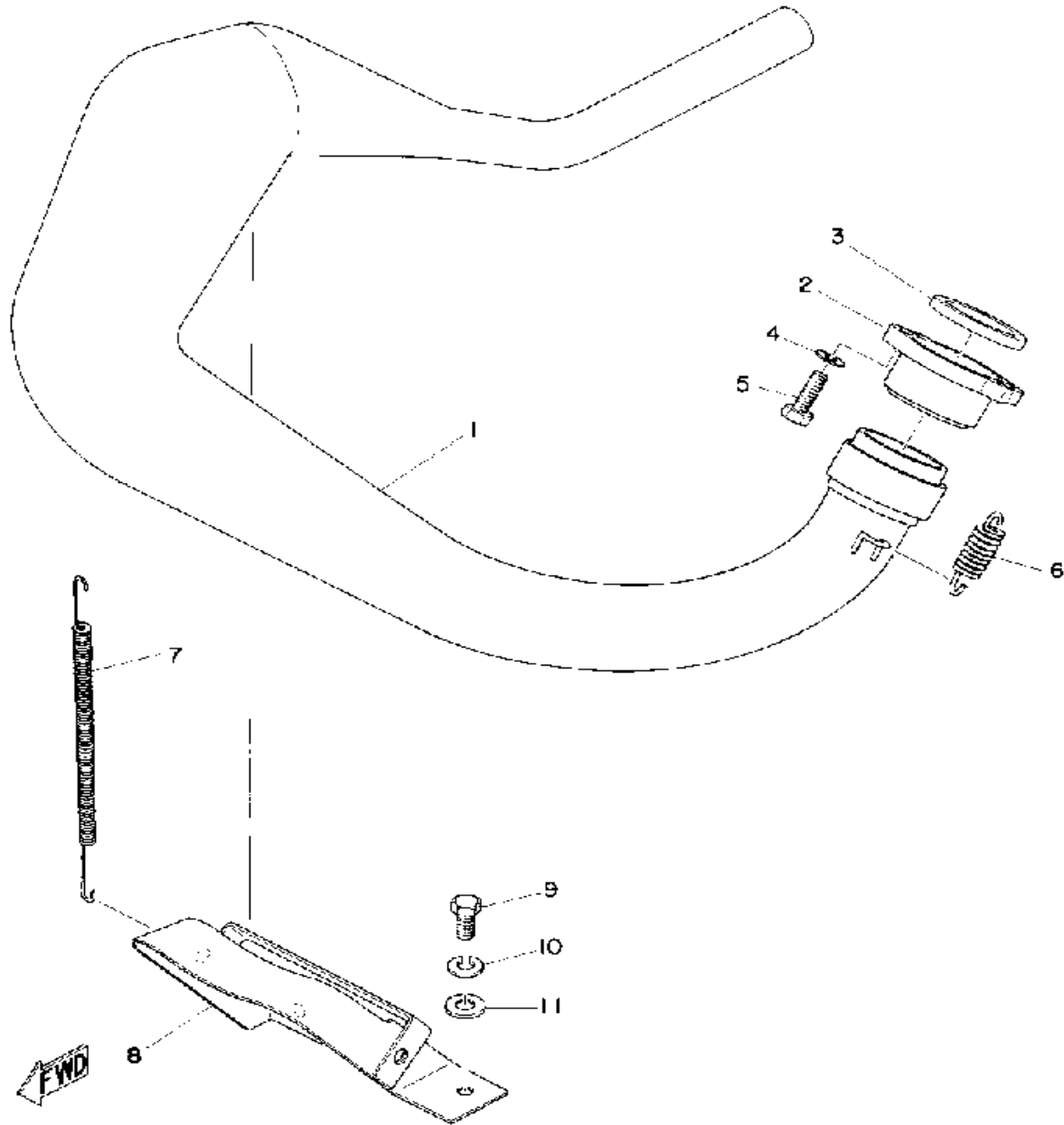
FUEL PUMP - PIPING



Ref. No.	Part Number	Description	Qty	Remarks
5-1	(856-24410-00-00)	FUEL PUMP ASSEMBLY	1	
5-2	(856-24444-00-00)	SCREW	1	
5-3	(856-24437-00-00)	GASKET, BODY 4	1	
5-4	(823-24487-80-00)	O-RING	1	
5-5	98503-04014-00	. SCREW, PAN HEAD	3	
5-6	92901-04100-00	. WASHER, SPRING	3	
5-7	806-14552-01-00	. VALVE, CHECK	1	
5-8	(856-24432-00-00)	GASKET, FUEL PUMP 2	1	
5-9	(856-24431-00-00)	GASKET, FUEL PUMP 1	2	
5-10	823-24411-80-00	. DIAPHRAGM	1	
5-11	97011-06020-00	BOLT	2	
5-12	92995-06100-00	WASHER, SPRING	2	
5-13	92990-06200-00	WASHER	2	
5-14	90446-11019-00	HOSE	1	
5-15	90446-11109-00	HOSE	1	
5-16	(90446-11027-00)	HOSE	1	
5-17	90467-11009-00	CLIP	6	
5-18	90445-10142-00	HOSE	1	
5-19	(90445-10136-00)	HOSE	1	
5-20	90467-09006-00	CLIP	4	
5-21	437-83936-11-00	BAND, SWITCH CORD	1	
5-22	(829-24376-80-00)	PIPE, JOINT 1	1	

Property of www.SmallEngineDiscount.com - Not for Resale

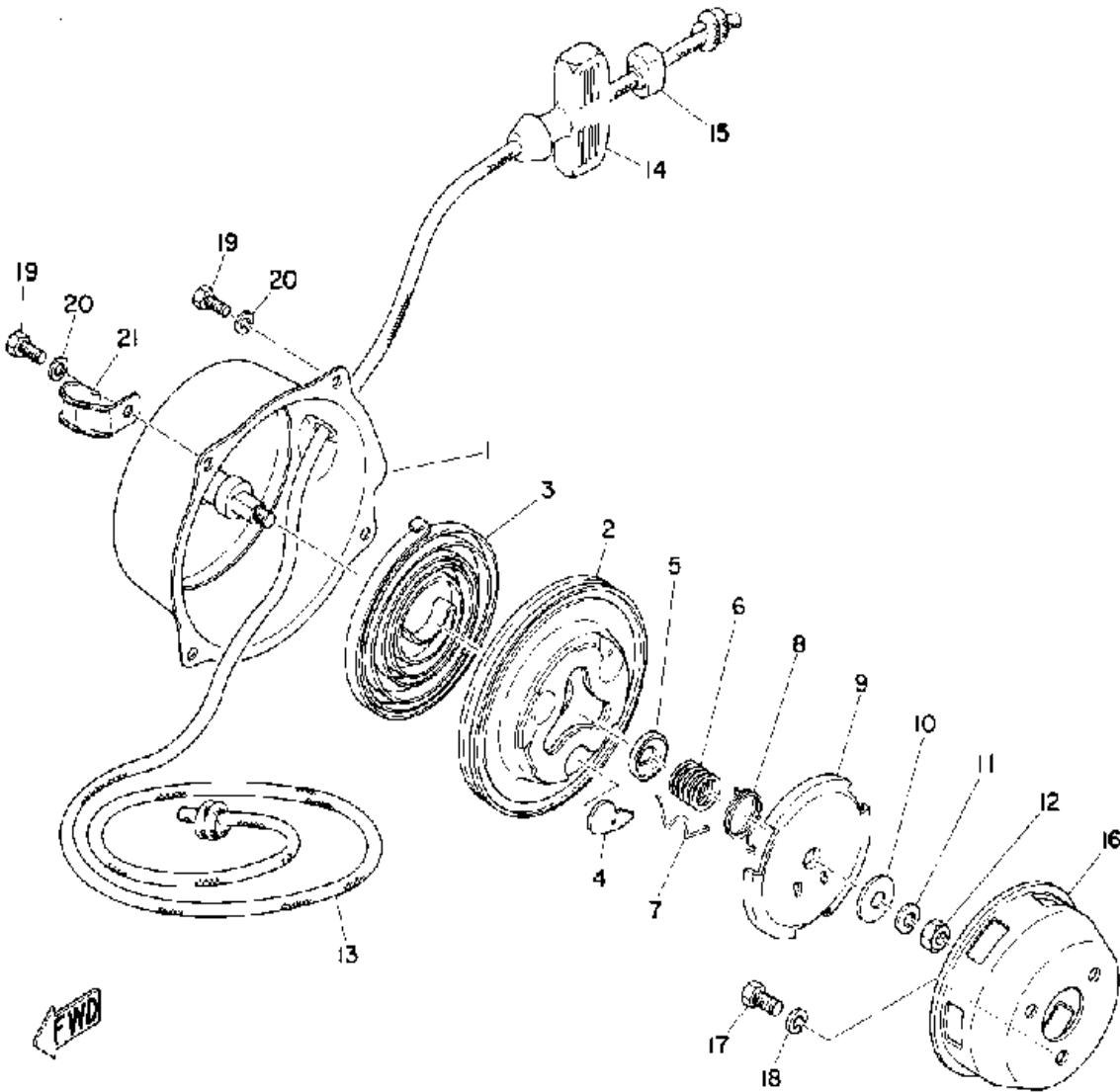
EXHAUST



Ref. No.	Part Number	Description	Qty	Remarks
6-1	(856-14610-00-00)	EXHAUST PIPE ASSEMBLY L .	1	
6-2	(822-14612-00-00)	NUT, RING	1	
6-3	214-14613-00-00	GASKET, EXST PIPE	1	
6-4	92990-08100-00	WASHER	2	
6-5	97013-08025-00	BOLT	2	
6-6	90506-20040-00	SPRING, TENSION (90506-16002)	2	
6-7	(90506-16001-00)	SPRING, TENSION	2	
6-8	(856-14771-02-00)	STAY, MUFFLER 1	1	
6-9	97313-08020-00	BOLT, HEXAGON	2	
6-10	92990-08100-00	WASHER	2	
6-11	92990-08200-00	WASHER, PLAIN	2	

Property of www.SmallEngineDiscount.com - Not for Resale

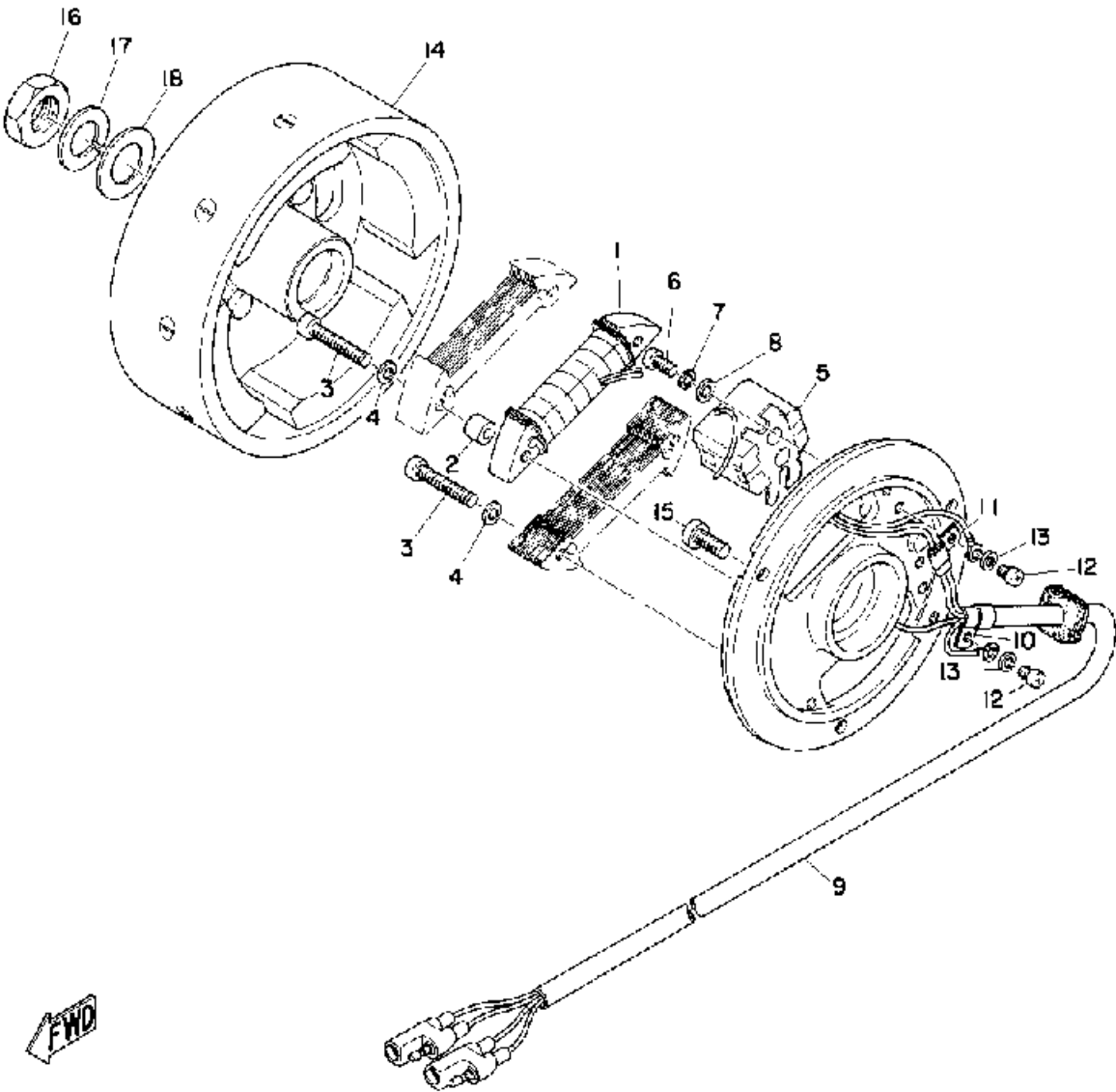
STARTER



Ref. No.	Part Number	Description	Qty	Remarks
7-1	(856-15711-00-00)	CASE, STARTER	1	
7-2	812-15714-00-00	. DRUM, SHEAVE	1	
7-3	802-15713-00-00	. SPRING, STARTER	1	
7-4	812-15741-00-00	PAWL, DRIVE	3	
7-5	(807-15719-00-00)	WASHER, THRUST	1	
7-6	626-15715-01-00	. SPRING, DRIVE PLATE (807-15715-00)	1	
7-7	812-15784-00-00	. SPRING, RETURN	3	
7-8	811-15734-00-00	. SPRING, RETURN	1	
7-9	812-15716-00-00	. PLATE, DRIVE	1	
7-10	807-15726-01-00	. WASHER, FLAT	1	
7-11	92990-08100-00	. WASHER	1	
7-12	95303-08700-00	. NUT	1	
7-13	(856-15751-00-00)	ROPE, STARTER	1	
7-14	807-15755-00-00	. HANDLE, STARTER	1	
7-15	619-15756-00-00	. CONNECTOR 1	1	
7-16	(836-15723-00-00)	PULLEY, STARTER	1	
7-17	97313-08016-00	BOLT, HEXAGON	3	
7-18	92990-08100-00	WASHER	3	
7-19	97313-06016-00	BOLT, HEXAGON	4	
7-20	92995-06100-00	WASHER, SPRING	4	
7-21	90465-06013-00	CLAMP	1	
7-0-1	(856-15710-01-00)	STARTER ASSEMBLY	1	

Property of www.SmallEngineDiscount.com - Not for Resale

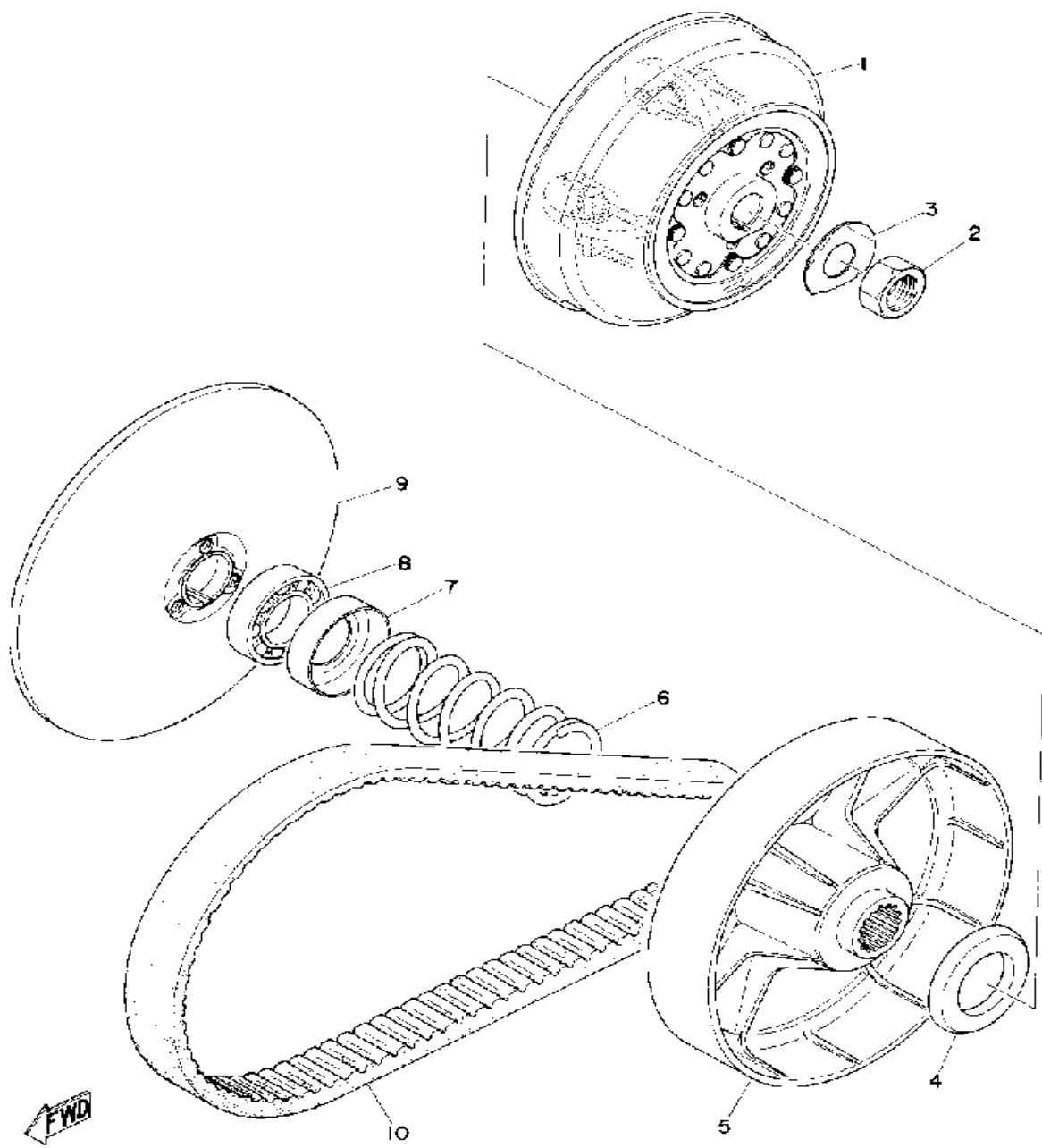
CDI MAGNETO



Ref. No.	Part Number	Description	Qty	Remarks
8-1	(856-85541-10-00)	COIL, CHARGE	1	
8-2	647-81318-10-00	. SPACER	2	
8-3	98501-05035-00	. SCREW, PAN HEAD	4	
8-4	92990-05100-00	. WASHER, SPRING	4	
8-5	(856-85543-10-00)	COIL PULSER	2	
8-6	110-81346-21-00	. SCREW, PAN HEAD	2	
8-7	92901-04100-00	. WASHER, SPRING	2	
8-8	92990-04200-00	. WASHER, PLAIN	2	
8-9	(856-85515-10-00)	LEAD WIRE ASSEMBLY	1	
8-10	109-81328-11-00	. CLAMP	1	
8-11	(363-85528-10-00)	CLAMP, LEAD	1	
8-12	97601-04106-00	. SCREW, PN/HD.W/WSHR ...	2	
8-13	92901-04100-00	. WASHER, SPRING	2	
8-14	(856-85550-10-00)	ROTOR ASSEMBLY	1	
8-15	98503-06014-00	SCREW, PAN HEAD (92502-06016)	3	
8-16	90170-16182-00	NUT	1	
8-17	92901-16100-00	WASHER, SPRING	1	
8-18	90201-16247-00	WASHER, PLATE (807-11557-00)	1	
8-0-1	(856-85500-10-00)	CDI MAGNETO ASSEMBLY ...	1	

Property of www.SmallEngineDiscount.com - Not for Resale

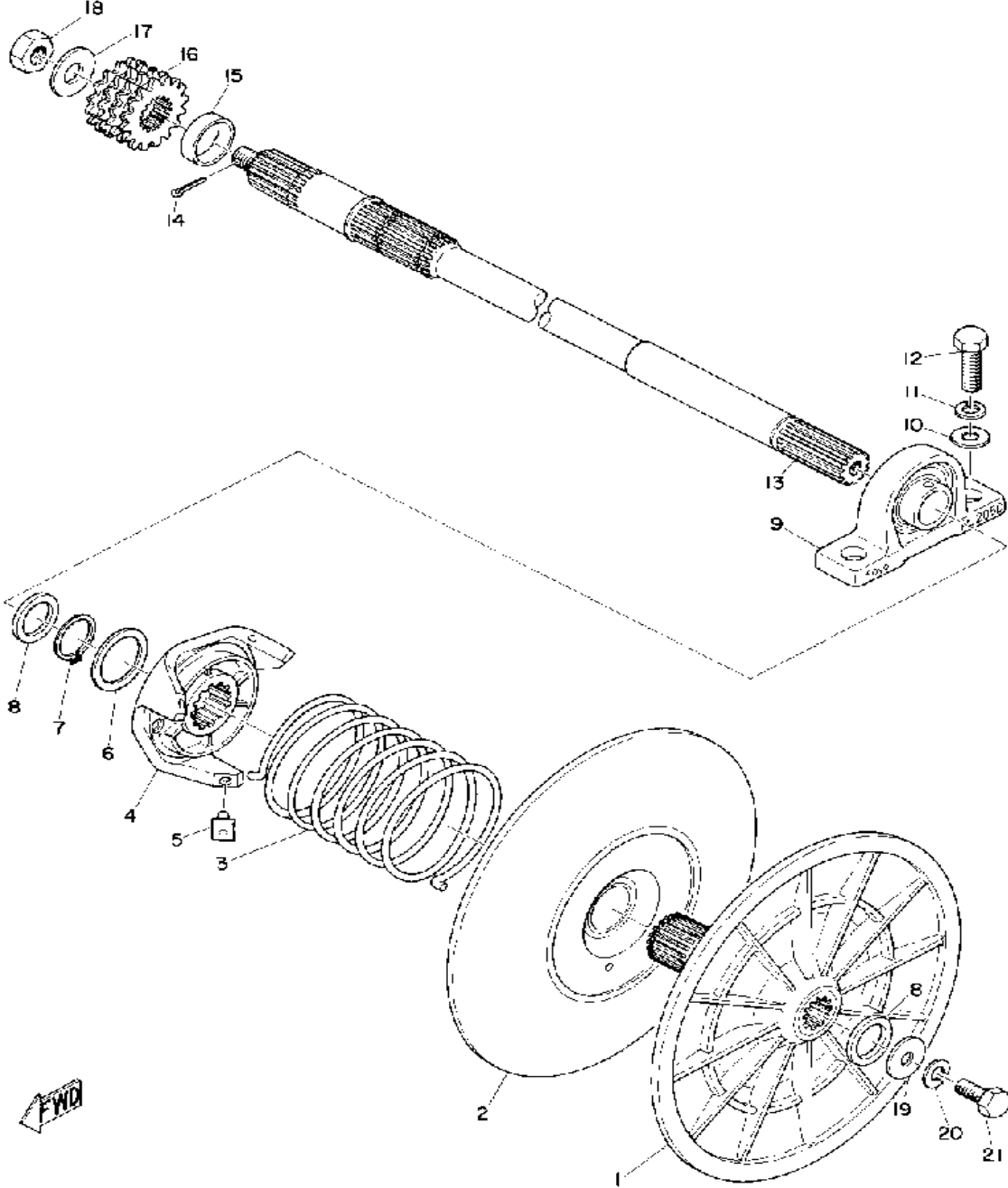
PRIMARY SHEAVE



Ref. No.	Part Number	Description	Qty	Remarks
9-1	(856-17630-00-00)	PRI SHV CAP	1	
9-2	95312-20700-00	NUT (98812-20300)	1	
9-3	90215-20091-00	WASHER, LOCK (856-17646-00)	1	
9-4	(809-17623-00-00)	CAM	1	
9-5	(856-17620-00-00)	PRI SLIDG SHEAVE	1	
9-6	(90501-50169-00)	SPRING, COMPRESSION	1	ALTERNATE PARTS
	(90501-55177-00)	SPRING, COMPRESSION	1	
9-7	(829-17644-00-00)	SEAT, SPRING	1	
9-8	93306-20567-00	BEARING	1	
9-9	(856-17610-00-00)	PRI FIXED SHEAVE	1	
9-10	820-17641-00-00	V-BELT	1	

Property of www.SmallEngineDiscount.com - Not for Resale

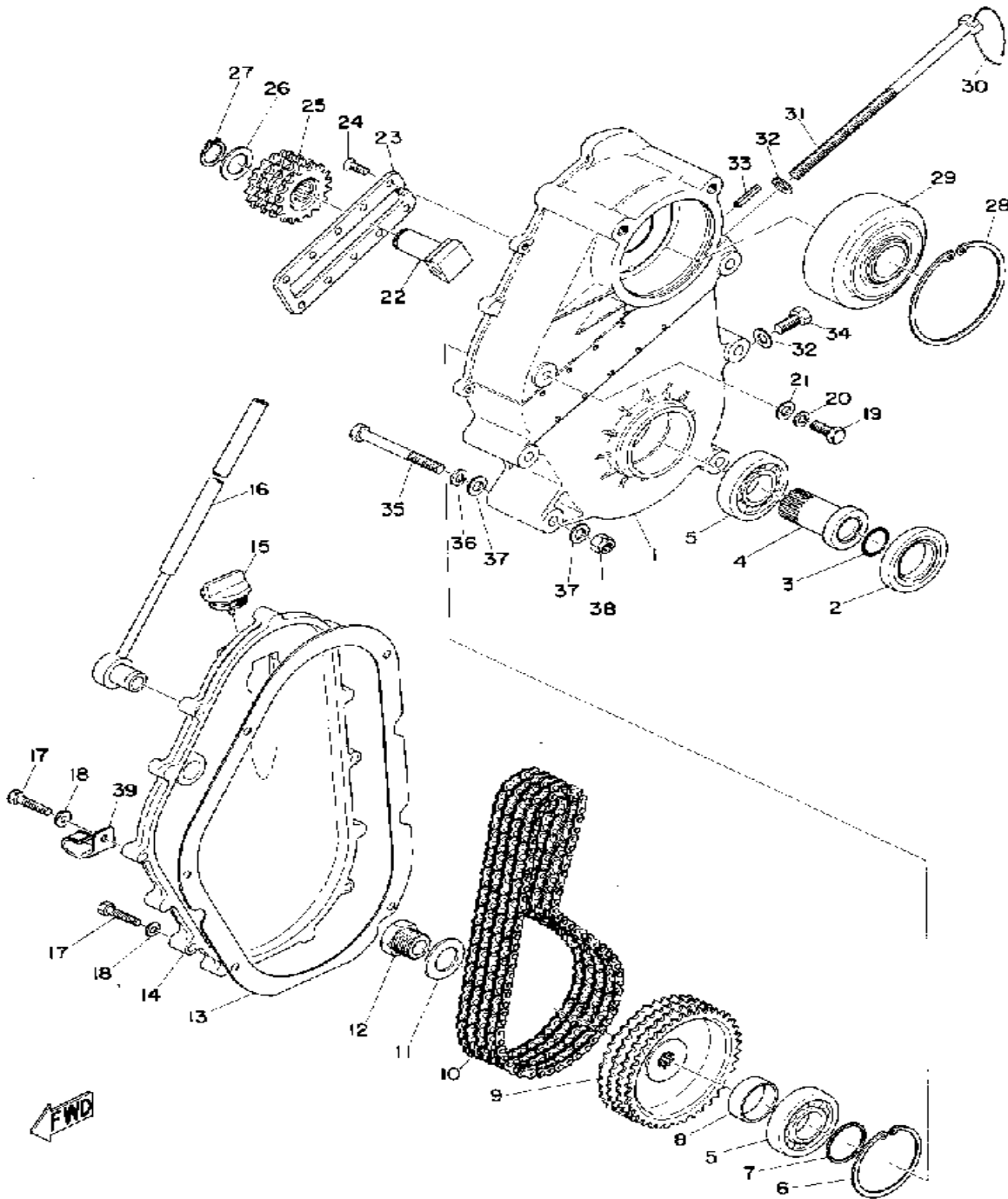
SECONDARY SHEAVE



Ref. No.	Part Number	Description	Qty	Remarks
10-297011-10025-00		BOLT	1	

Property of www.SmallEngineDiscount.com - Not for Resale

TRACK DRIVE

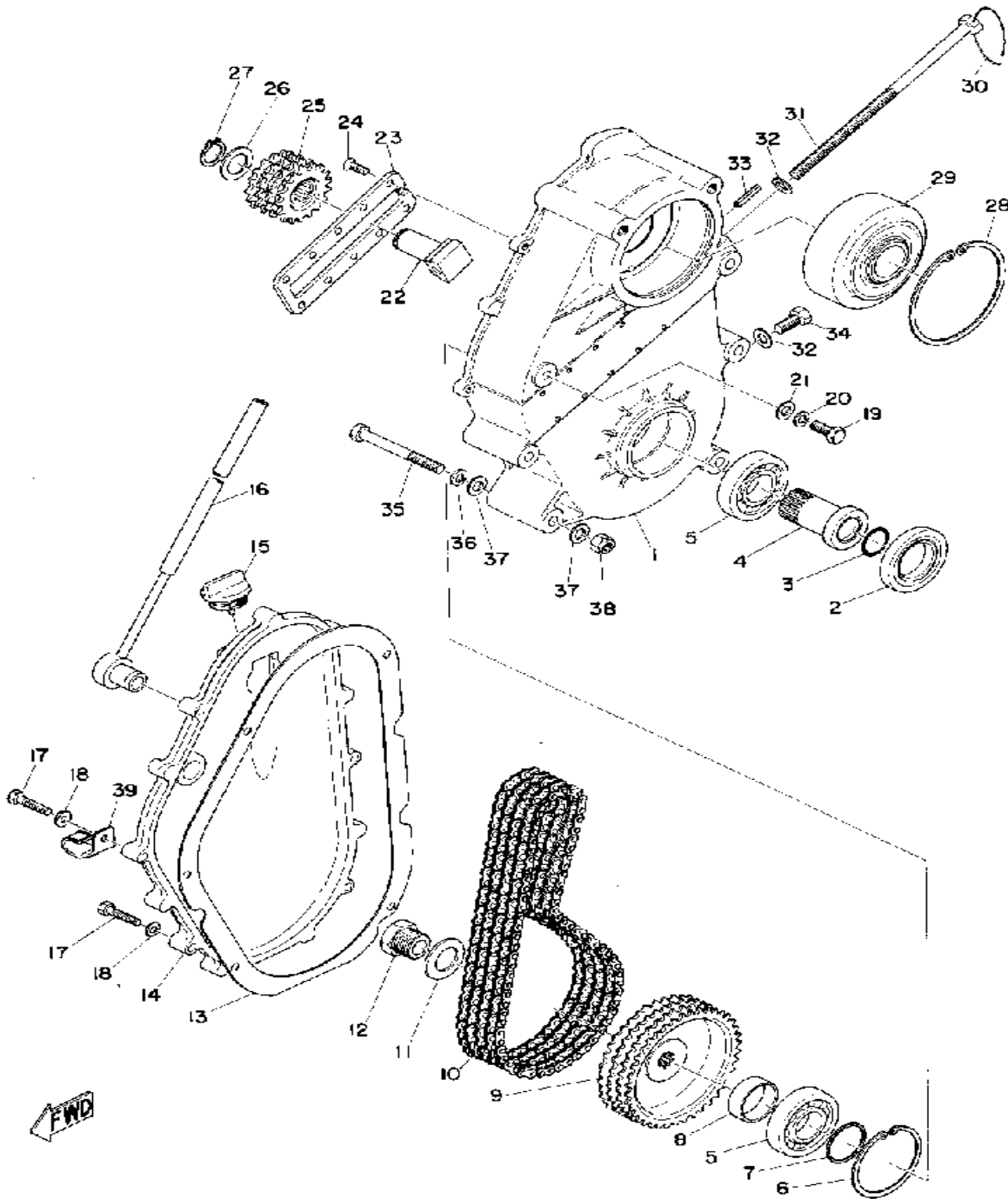


Ref. No.	Part Number	Description	Qty	Remarks
11-1	(856-47541-00-00)	HOUSING, CHAIN	1	
11-2	(93102-40101-00)	OIL SEAL, SD-TYPE	1	
11-3	93210-25070-00	O-RING	1	
11-4	(835-47571-00-00)	JOURNAL 1	1	
11-5	93306-00701-00	BEARING (B6007)	2	
11-6	93420-62070-00	CIRCLIP 54G	1	
11-7	90560-35050-00	SPACER	1	
11-8	(90387-35207-00)	COLLAR	1	
11-9	(856-47587-00-00)	SPROCKET, CHN DRVN	1	ALTERNATE PARTS
	(856-47587-10-00)	SPROCKET, CHN DRVN	1	ALTERNATE PARTS
	(856-47587-20-00)	SPROCKET, CHN DRVN	1	ALTERNATE PARTS
	(856-47587-30-00)	SPROCKET, CHN DRVN	1	ALTERNATE PARTS
	(856-47587-40-00)	SPROCKET, CHN DRVN	1	ALTERNATE PARTS
	(856-47587-50-00)	SPROCKET, CHN DRVN	1	ALTERNATE PARTS
	(856-47587-60-00)	SPROCKET, CHN DRVN	1	ALTERNATE PARTS
	(856-47587-70-00)	SPROCKET, CHN DRVN	1	ALTERNATE PARTS
	(856-47587-80-00)	SPROCKET, CHN DRVN	1	ALTERNATE PARTS
11-10	(94860-35070-00)	CHAIN 8 6	1	ALTERNATE PARTS
	(94860-35072-00)	CHAIN 8 6	1	ALTERNATE PARTS
	(94860-35074-00)	CHAIN 8 6	1	ALTERNATE PARTS
	(94860-35076-00)	CHAIN 8 6	1	ALTERNATE PARTS
	(94860-35078-00)	CHAIN	1	
	(94860-35080-00)	CHAIN 8 6	1	ALTERNATE PARTS
11-11	1821-47582-00-00	SPRING, BELLEVILLE	1	
11-12	120109-24202-00	BOLT (802-47553-00)	1	
11-13	1356-47544-00-00	GASKET	1	
11-14	(856-47543-00-00)	CAP, HOUSING	1	
11-15	1557-47559-00-00	CAP 2	1	
11-16	(857-47586-00-00)	BREATHER	1	

CONTINUED ON NEXT FRAME ➤

Property of www.SmallEngineDiscount.com - Not for Resale

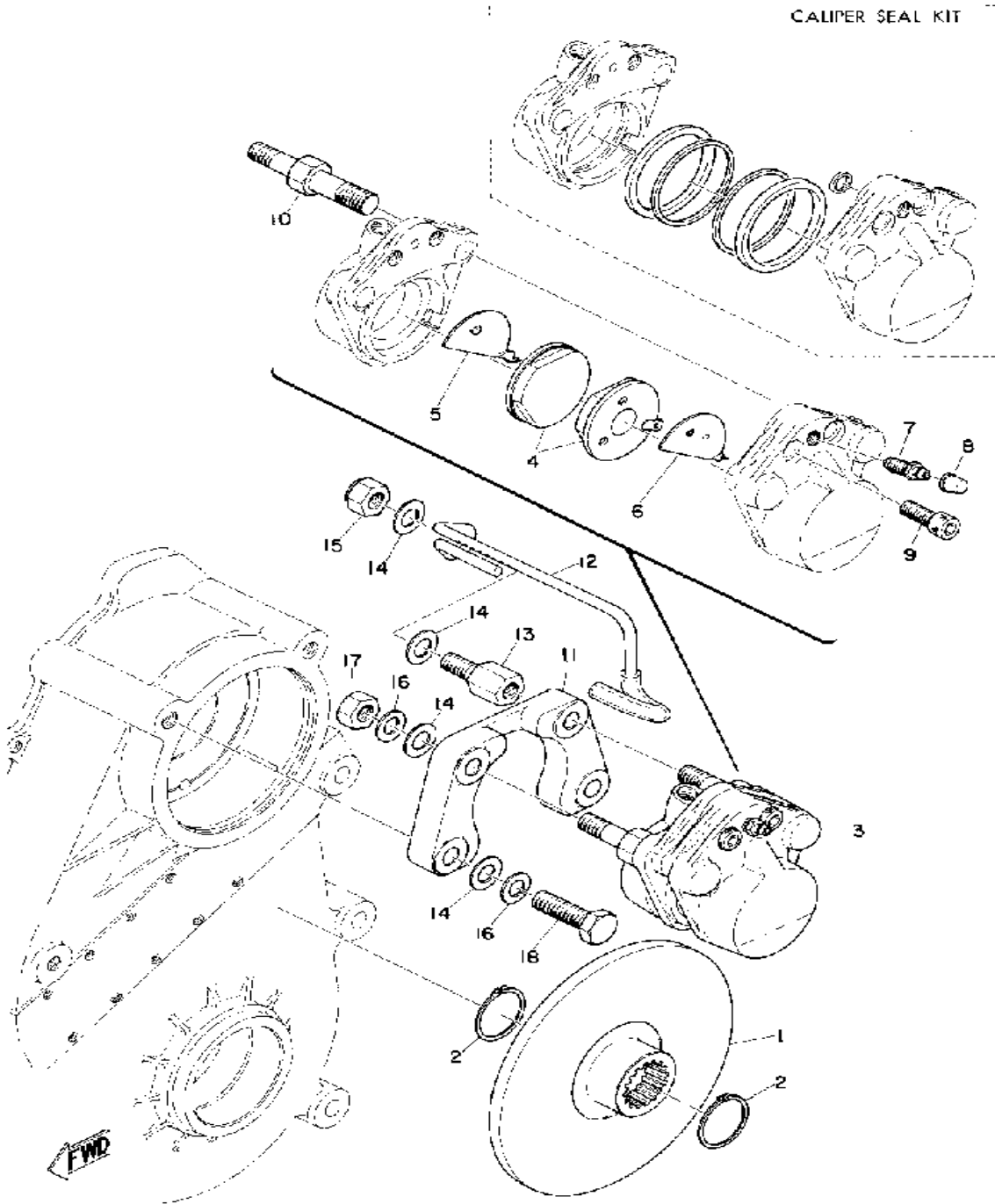
TRACK DRIVE



Ref. No.	Part Number	Description	Qty	Remarks
	11-1797021-06030-00	BOLT	6	
	11-1892995-06100-00	WASHER, SPRING	6	
	11-1997313-08020-00	BOLT, HEXAGON	1	
	11-2092990-08100-00	WASHER	1	
	11-2192990-08200-00	WASHER, PLAIN	1	
	11-22(856-47611-00-00)	TENSIONER	1	
	11-23(856-47613-00-00)	HOLDER	1	
	11-2498603-06018-00	SCREW, OVAL HEAD	10	
	11-25(856-47612-00-00)	WHEEL	1	
	11-260201-20279-00	WASHER, PLATE	1	
	11-2799009-20400-00	CIRCLIP	1	
	11-28(93421-00033-00)	CIRCLIP	1	
	11-29(93306-00604-00)	BEARING	2	
	11-30(90580-10001-00)	WIRE	1	
	11-31(90103-08011-00)	BOLT, HEAD W/HOLE	1	
	11-320210-08002-00	WASHER, SEAL	2	
	11-33(91609-30024-00)	PIN, SPRING	1	
	11-3497313-08020-00	BOLT, HEXAGON	1	
	11-357021-08080-00	BOLT	5	
	11-3692990-08100-00	WASHER	6	
	11-3792990-08200-00	WASHER, PLAIN	11	
	11-380185-08089-00	NUT, SELF-LOCKING	5	
	11-390465-06100-00	CLAMP	2	

Property of www.SmallEngineDiscount.com - Not for Resale

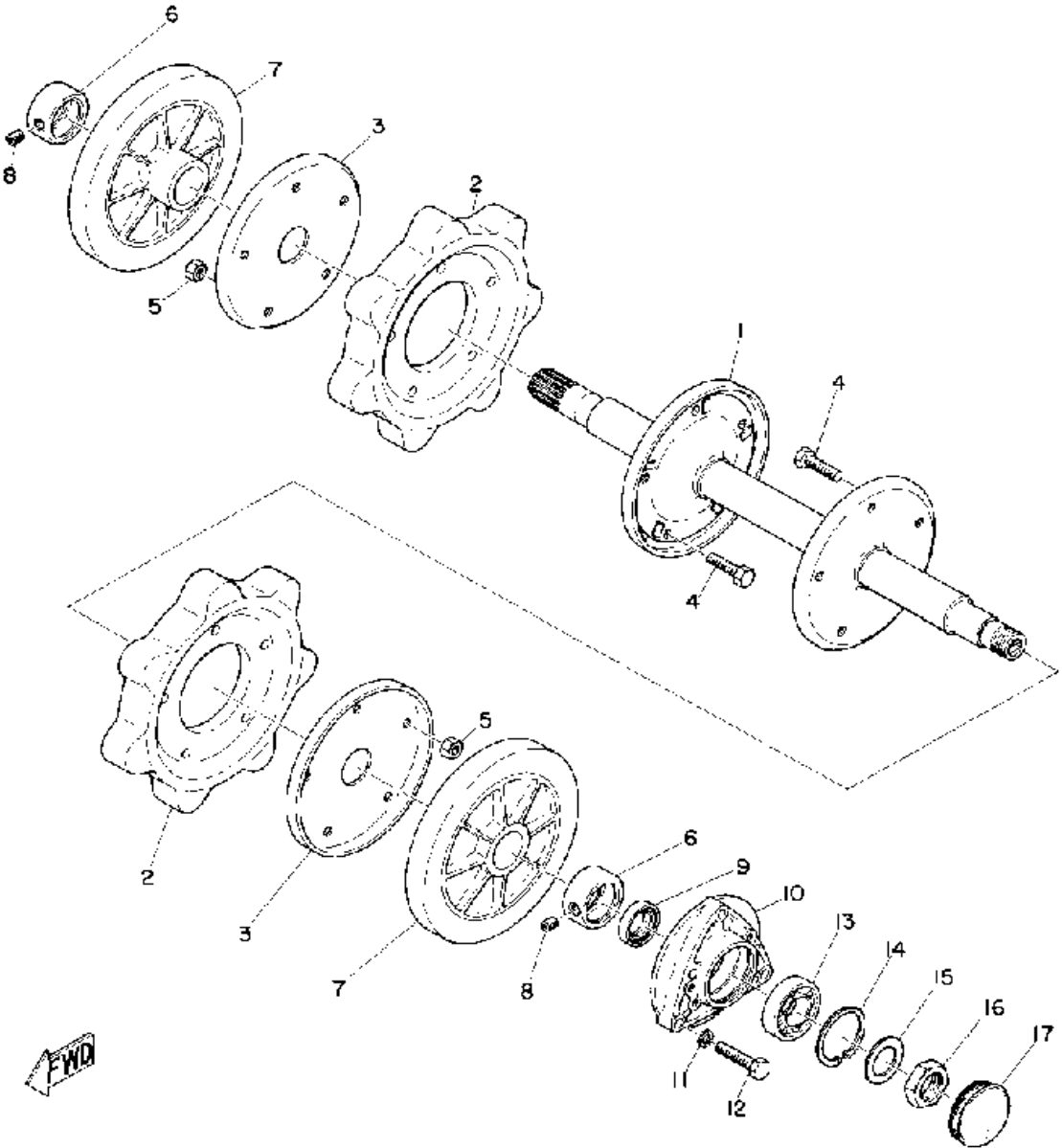
DISK BRAKE - CALIPER



Ref. No.	Part Number	Description	Qty	Remarks
12-1	(856-25831-01-00)	DISC, BRAKE	1	
12-2	(93410-29033-00)	CIRCLIP, S-TYPE	2	
12-3	(856-25810-01-00)	CALIPER ASSEMBLY	1	
12-4	(856-25811-00-00)	PAD, CALIPER 2	2	
12-5	306-25827-04-00	. SHIM, CALIPER (306-25827-02)	1	
12-6	409-25828-50-00	. SHIM, CALIPER (306-25828-02)	1	
12-7	306-25824-00-00	. SCREW, BLEED	1	
12-8	306-25825-01-00	. CAP	1	
12-9	306-25826-01-00	. BOLT 3	2	
12-10	(856-25822-00-00)	BOLT 2	2	
12-11	(856-25819-00-00)	BRACKET, CALIPER	1	
12-12	(857-23874-00-00)	HOLDER, WIRE	1	
12-13	(90179-10003-00)	NUT, SPEC'L SHAPE	1	
12-14	(2990-10200-00)	WASHER, PLAIN	5	
12-15	(90185-10017-00)	NUT, SELF-LOCKING	1	
12-16	(2990-10100-00)	WASHER, SPRING	3	
12-17	(95311-10600-00)	NUT	1	
12-18	(7023-10035-00)	BOLT, HEXAGON	2	
12-0	856-20000-50-00	CALIPER SEAL KIT	1	

Property of www.SmallEngineDiscount.com - Not for Resale

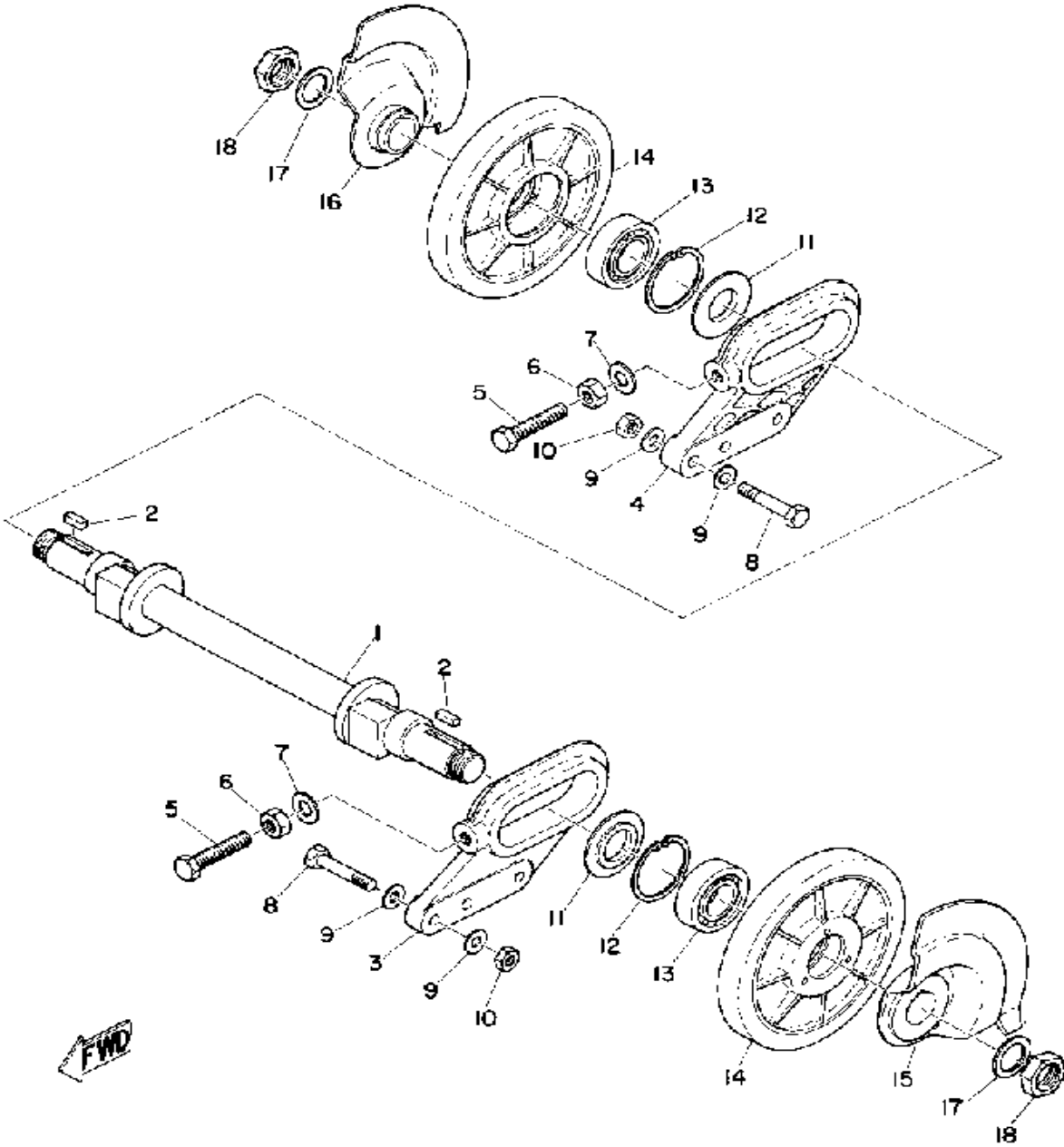
FRONT AXLE



Ref. No.	Part Number	Description	Qty	Remarks
13-1	(856-47510-00-00)	FRONT AXLE	1	
13-2	(856-47531-00-00)	WHEEL, SPROCKET 1	2	
13-3	(856-47522-00-00)	RIM, SPROCKET WHL 2	2	
13-4	97313-08030-00	BOLT, HEXAGON	10	
13-5	90185-08089-00	NUT, SELF-LOCKING	10	
13-6	(856-47526-00-00)	COLLAR	2	
13-7	(856-47534-00-00)	WHEEL, GUIDE 1	2	
13-8	(90149-08001-00)	SCREW, SPEC'L SHAPE	2	
13-9	93102-25084-00	OIL SEAL, SD-TYPE	1	
13-10	841-47551-00-00	HOUSING, FRONT AXLE	1	
13-11	92990-08100-00	WASHER	3	
13-12	97313-08035-00	BOLT, HEXAGON	3	
13-13	93306-00412-00	BEARING	1	
13-14	93420-44029-00	CIRCLIP, R-TYPE	1	
13-15	90208-22001-00	WASHER, CONICAL SPRING	1	
13-16	90170-22094-00	NUT	1	
13-17	810-47552-00-00	CAP	1	

Property of www.SmallEngineDiscount.com - Not for Resale

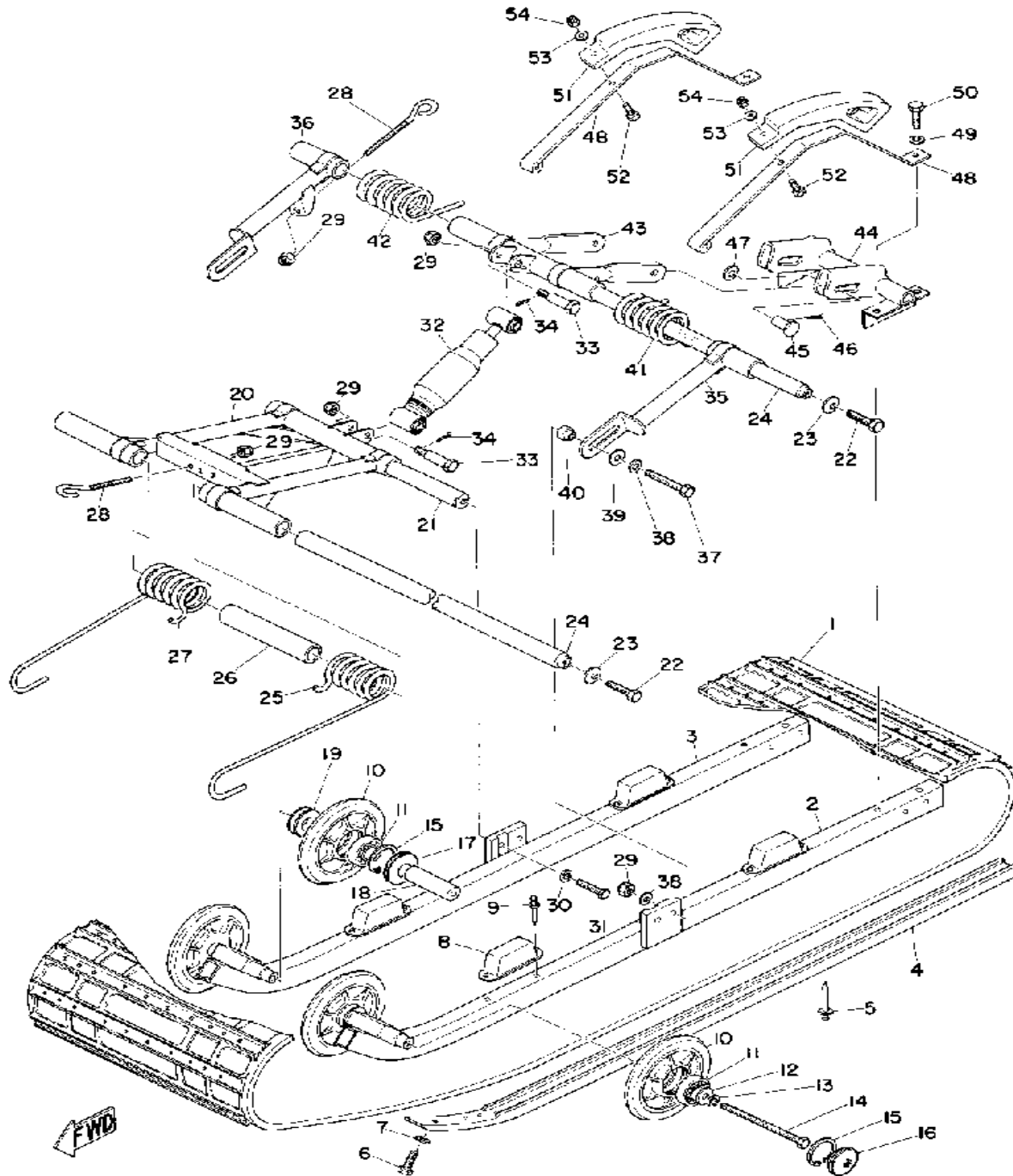
REAR AXLE



Ref. No.	Part Number	Description	Qty	Remarks
14-1	(856-47520-00-00)	REAR AXLE	1	
14-2	90282-05001-00	KEY, STRAIGHT (5MMX16MM)	2	
14-3	(856-47441-00-00)	SLIDER 1	1	
14-4	(856-47442-00-00)	SLIDER 2	1	
14-5	(90101-10124-00)	BOLT	2	
14-6	95311-10600-00	NUT	2	
14-7	92990-10200-00	WASHER, PLAIN	2	
14-8	97313-08050-00	BOLT, HEXAGON (90101-08125)	6	
14-9	92990-08200-00	WASHER, PLAIN	6	
14-10	0185-08089-00	NUT, SELF-LOCKING	6	
14-11	(856-47519-00-00)	PLATE	2	
14-12	09009-52500-00	CIRCLIP	2	
14-13	03306-20509-00	BEARING (B6205) (93306-20525) 0 1	2	
14-14	(856-47535-00-00)	WHEEL, GUIDE 2	2	
14-15	(856-47361-00-00)	ARM, REAR PIVOT 1	1	
14-16	(856-47362-00-00)	ARM, REAR PIVOT 2	1	
14-17	0208-22001-00	WASHER, CONICAL SPRING ..	2	
14-18	0170-22094-00	NUT	2	

Property of www.SmallEngineDiscount.com - Not for Resale

TRACK - SUSPENSION WHEEL

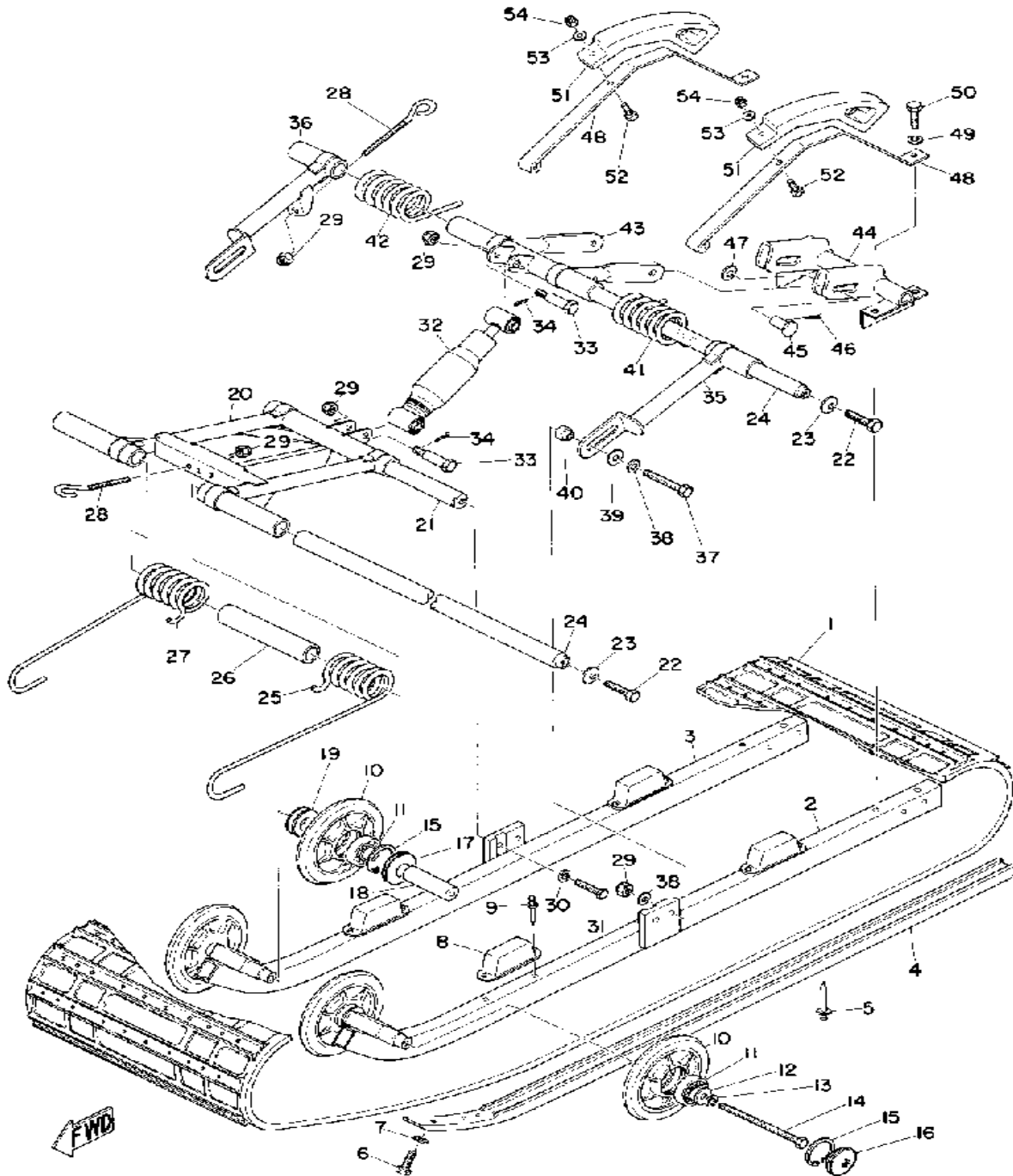


Ref. No.	Part Number	Description	Qty	Remarks
15-1	(856-47110-00-00)	TRACK ASSEMBLY	1	
15-2	(856-47411-00-00)	FRAME, SLIDING 1	1	
15-3	(856-47412-00-00)	FRAME, SLIDING 2	1	
15-4	856-47421-00-00	RUNNER, SLIDING 1	2	
15-5	(90267-40010-00)	RIVET, BLIND	26	
15-6	97001-08025-00	BOLT (1NV)	2	
15-7	92990-08200-00	WASHER, PLAIN	2	
15-8	(856-47456-00-00)	DAMPER 1	4	
15-9	90267-40005-00	RIVET, BLIND	8	
15-10	85-47320-01-00	SUSPENSION WHEEL COMP.	4	
15-11	193306-00441-00	BEARING (89A) (B6004RS)	4	
15-12	20201-085E6-00	WASHER PLATE	2	
15-13	2990-08100-00	WASHER	2	
15-14	7021-08140-00	BOLT, HEXAGON (97301-08100)	2	
15-15	99009-42500-00	CIRCLIP	4	
15-16	18-47317-01-00	CAP, WHEEL	2	
15-17	7829-47317-00-00	CAP, WHEEL	2	
15-18	(856-47465-00-00)	SHAFT 1	1	
15-19	(856-47429-00-00)	ROLLER	2	
15-20	(856-47331-00-00)	ARM, PIVOT 1	1	
15-21	(856-47475-00-00)	SHAFT 2	1	
15-22	290109-08024-00	UNAVAILABLE IN PRICE BOOK (829-47542-00)	4	
15-23	(829-16119-00-00)	SPRING, BELLEVILLE	4	
15-24	(856-47337-00-00)	SHAFT, PIVOT	2	
15-25	(856-47425-00-00)	BRACKET, REAR 2	1	
15-26	(90443-28003-00)	TUBE, COPPER	1	
15-27	(856-47426-00-00)	BRACKET, REAR 1	1	
15-28	(856-47446-00-00)	HOOK 1	4	

CONTINUED ON NEXT FRAME ►

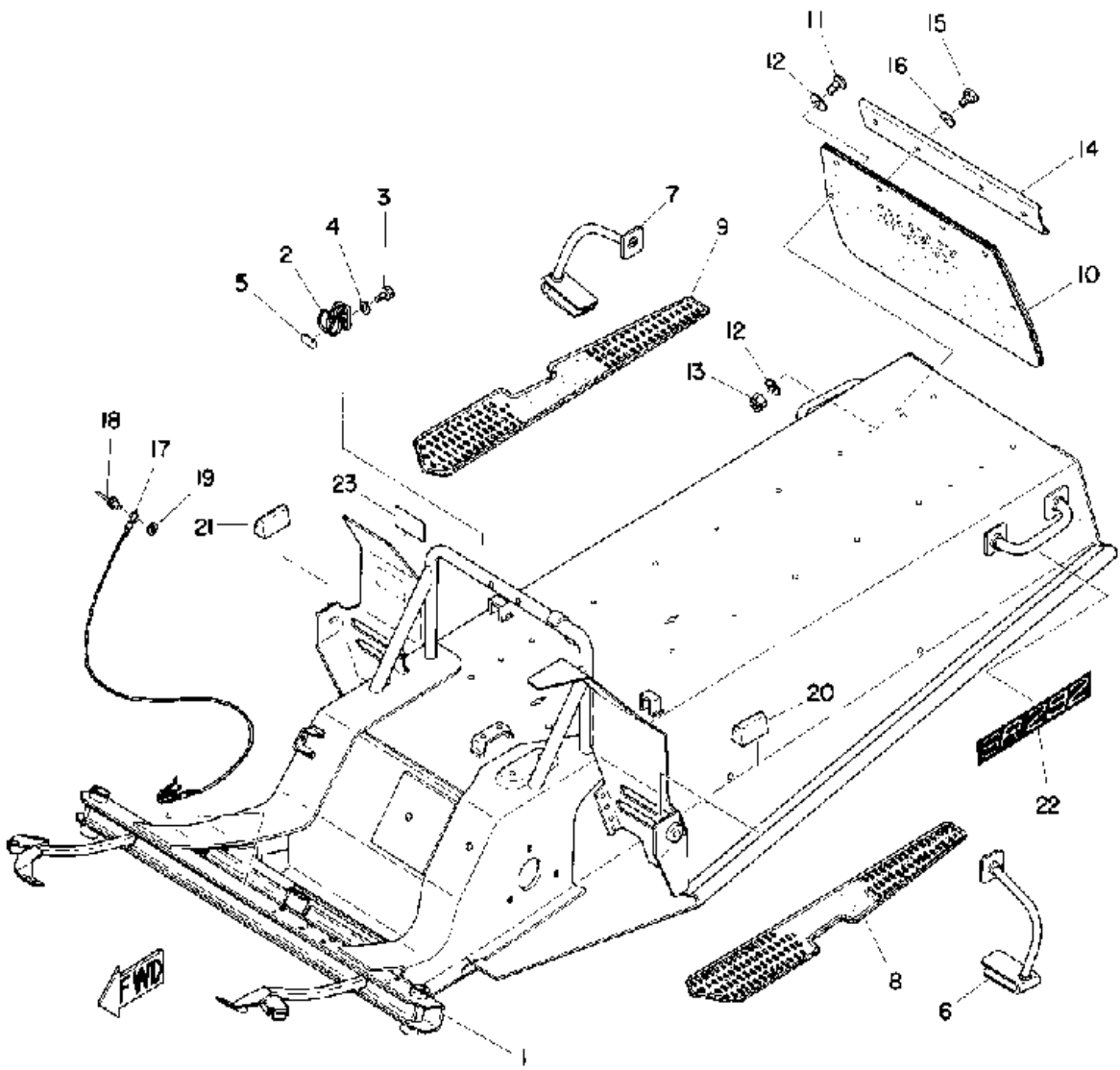
Property of www.SmallEngineDiscount.com - Not for Resale

TRACK - SUSPENSION WHEEL



Ref. No.	Part Number	Description	Qty	Remarks
	15-290185-08089-00	NUT, SELF-LOCKING	8	
	15-302990-08100-00	WASHER	2	
	15-3197313-08040-00	BOLT, HEXAGON (97322-08040)	2	
	15-32856-47480-00-00)	SHOCK ABSORBER	1	
	15-330109-08168-00	BOLT	2	
	15-341401-25020-00	PIN, COTTER	2	
	15-35856-47333-00-00)	ARM, PIVOT 3	1	
	15-36856-47334-00-00)	ARM, PIVOT 4	1	
	15-3797021-08070-00	BOLT	2	
	15-382990-08200-00	WASHER, PLAIN	4	
	15-390201-12472-00	WASHER, PLATE	2	
	15-4090387-08302-00)	COLLAR	2	
	15-41856-47427-00-00)	SPRING 3	1	
	15-42856-47428-00-00)	SPRING 4	1	
	15-43856-47332-00-00)	ARM, PIVOT 2	1	
	15-44856-47451-00-00)	BAR, SUSPENSION	1	
	15-45856-47443-00-00)	SLIDER 3	2	
	15-461401-30030-00	PIN, COTTER	2	
	15-472990-12200-00	WASHER, PLAIN	2	
	15-48856-47495-00-00)	STOPPER 1	2	
	15-492990-08100-00	WASHER	4	
	15-507313-08035-00	BOLT, HEXAGON	4	
	15-51856-47422-00-00)	RUNNER, SLIDING 2	2	
	15-527011-06025-00	BOLT (97001-06025)	6	
	15-532990-06200-00	WASHER	6	
	15-545701-06300-00	NUT, NYLON	6	

Property of www.SmallEngineDiscount.com - Not for Resale

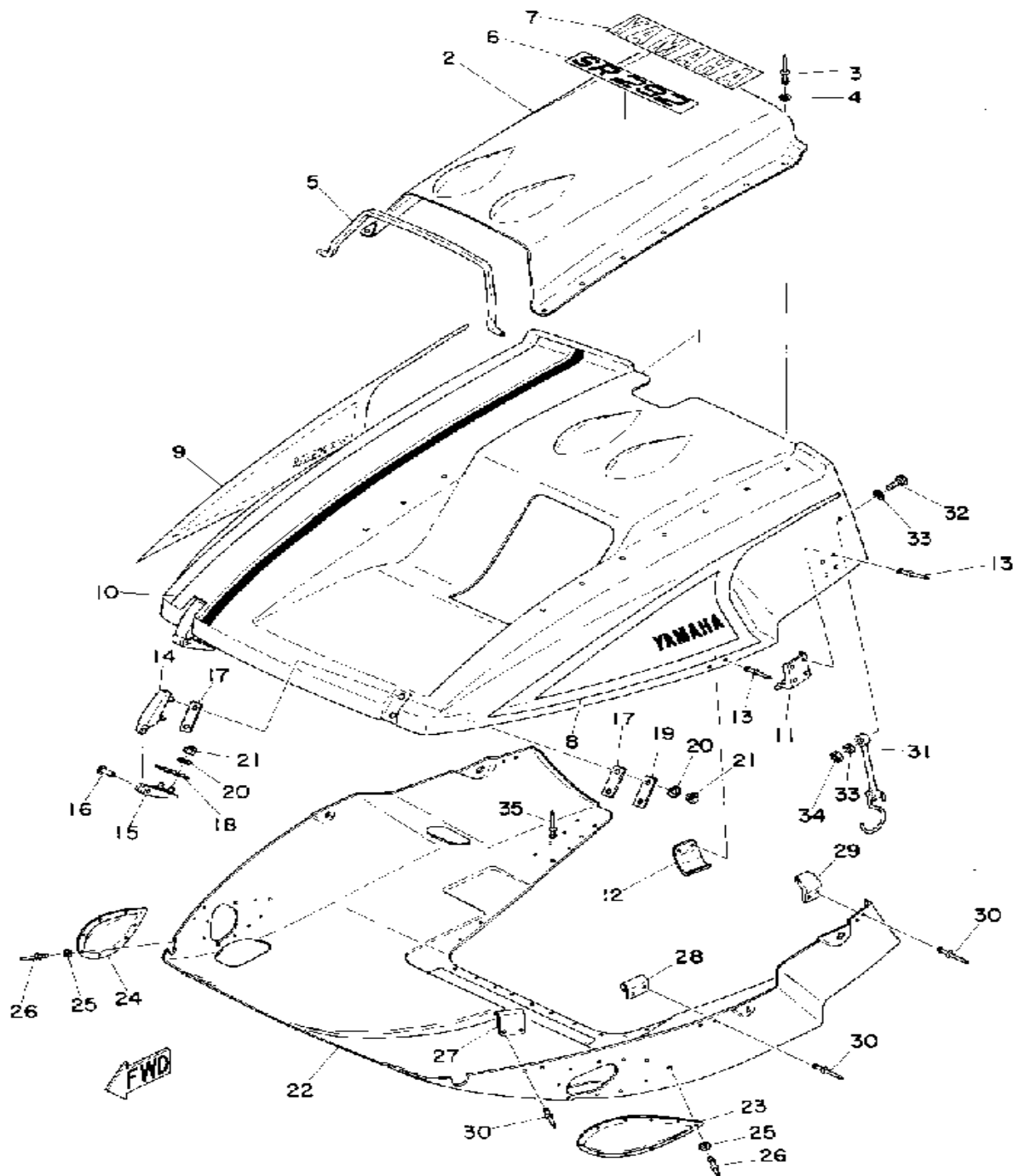


FRAME

Ref. No.	Part Number	Description	Qty	Remarks
16-1	(856-21910-00-00)	FRAME	1	
16-2	(856-23874-00-00)	HOLDER, WIRE	1	
16-3	97313-06040-00	BOLT, HEXAGON	1	
16-4	92995-06100-00	WASHER, SPRING	1	
16-5	(856-23877-00-00)	NUT	1	
16-6	(856-27411-00-00)	FOOTREST 1	1	
16-7	(856-27412-01-00)	BRACKET, FOOTREST 1	1	
16-8	878-27413-00-00	COVER, FOOTREST	1	
16-9	878-27423-00-00	COVER, FOOTREST	1	
16-10	(856-77595-00-00)	FLAP	1	
16-11	198906-06025-00	SCREW, BIND	2	
16-12	20201-06643-00	WASHER, PLATE	4	
16-13	395701-06300-00	NUT, NYLON	2	
16-14	(829-77593-00-00)	PLATE, FLAP 1	1	
16-15	57011-06020-00	BOLT	4	
16-16	02995-06100-00	WASHER, SPRING	4	
16-17	(856-77118-01-00)	STOPPER, SHROUD	1	
16-18	0267-48014-00	RIVET, BLIND	1	
16-19	0201-04325-00	WASHER, PLATE	1	
16-20	(856-77188-00-00)	STOPPER	1	
16-21	(856-77196-00-00)	DAMPER, SHROUD	1	
16-22	(856-77354-00-00)	EMBLEM 4	2	
16-23	(820-77141-00-00)	EMBLEM 1	1	

Property of www.SmallEngineDiscount.com - Not for Resale

SHROUD

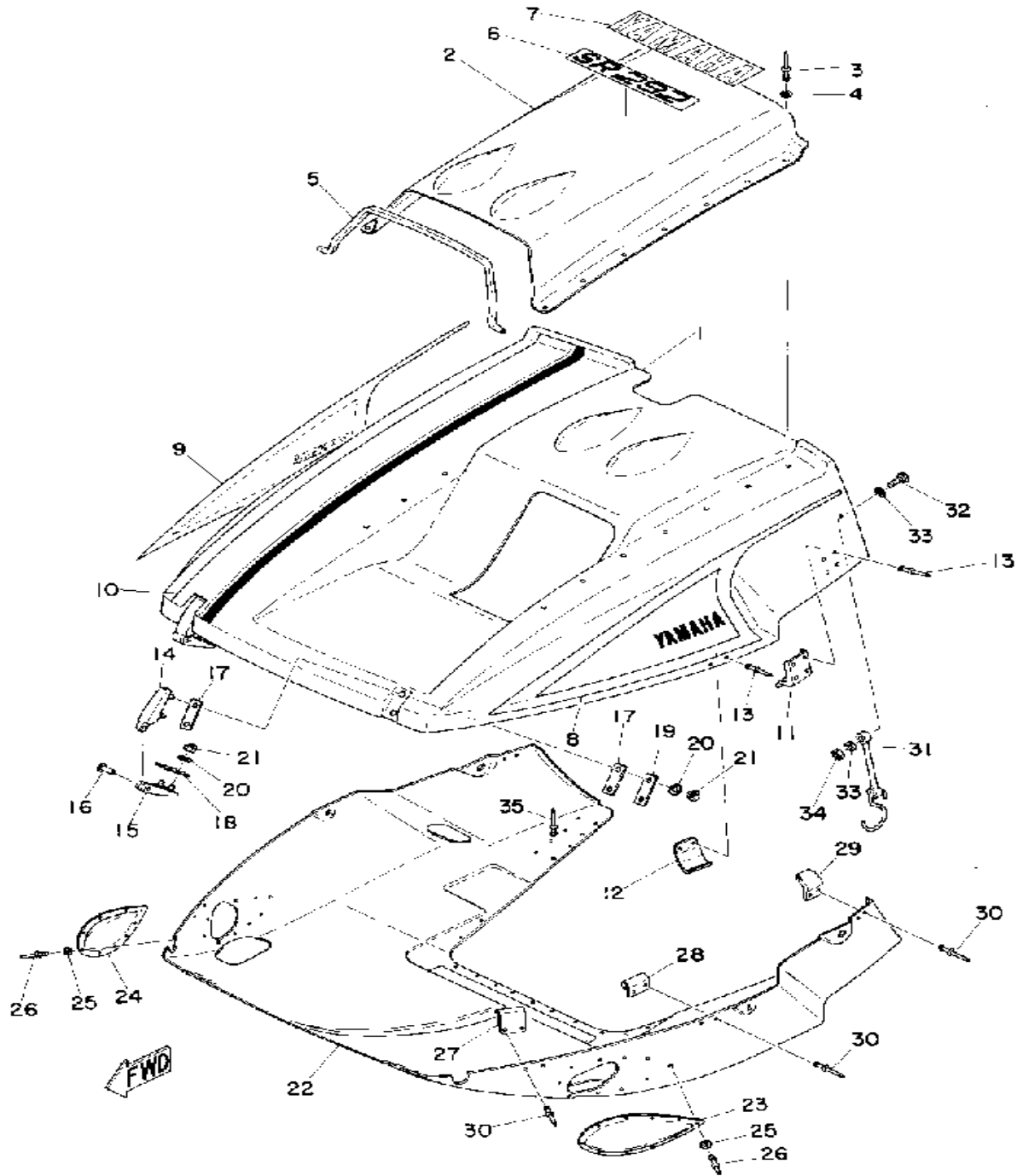


Ref. No.	Part Number	Description	Qty	Remarks
17-1	(856-77111-01-00)	SHROUD	1	
17-2	(856-77131-00-00)	LOUVER 1	1	
17-3	90267-40076-00	RIVET, BLIND	14	
17-4	90201-04015-00	WASHER, PLATE	14	
17-5	(856-77167-00-00)	TRIM 3	1	
17-6	(856-77143-00-00)	EMBLEM 3	1	
17-7	856-77142-00-00	EMBLEM 2	1	
17-8	856-77163-00-00	ORNAMENT 1	1	
17-9	856-77164-00-00	ORNAMENT 2	1	
17-10	856-77169-00-00	ORNAMENT 3	1	
17-11	(856-77128-00-00)	STAY 4	2	
17-12	(856-77127-00-00)	STAY 3	2	
17-13	90267-40054-00	RIVET, BLIND	8	
17-14	(856-77145-00-00)	HINGE 1	2	
17-15	856-77147-00-00	HINGE 3	2	
17-16	90243-05003-00	PIN	2	
17-17	(856-77198-00-00)	DAMPER 1	4	
17-18	(856-77199-00-00)	DAMPER 2	2	
17-19	(856-77153-00-00)	PLATE, BACK UP 1	2	
17-20	92995-06100-00	WASHER, SPRING	8	
17-21	95701-06300-00	NUT, NYLON	8	
17-22	(856-77121-00-00)	HOOD 1	1	
17-23	(856-77133-00-00)	LOUVER 3	1	
17-24	(856-77134-00-00)	LOUVER 4	1	
17-25	90201-04015-00	WASHER, PLATE	19	
17-26	90267-40077-00	RIVET, BLIND	19	
17-27	(856-77124-00-00)	GUIDE 2	2	
17-28	(856-77125-00-00)	STAY 1	2	
17-29	(856-77123-00-00)	GUIDE 1	2	

CONTINUED ON NEXT FRAME ➤

Property of www.SmallEngineDiscount.com - Not for Resale

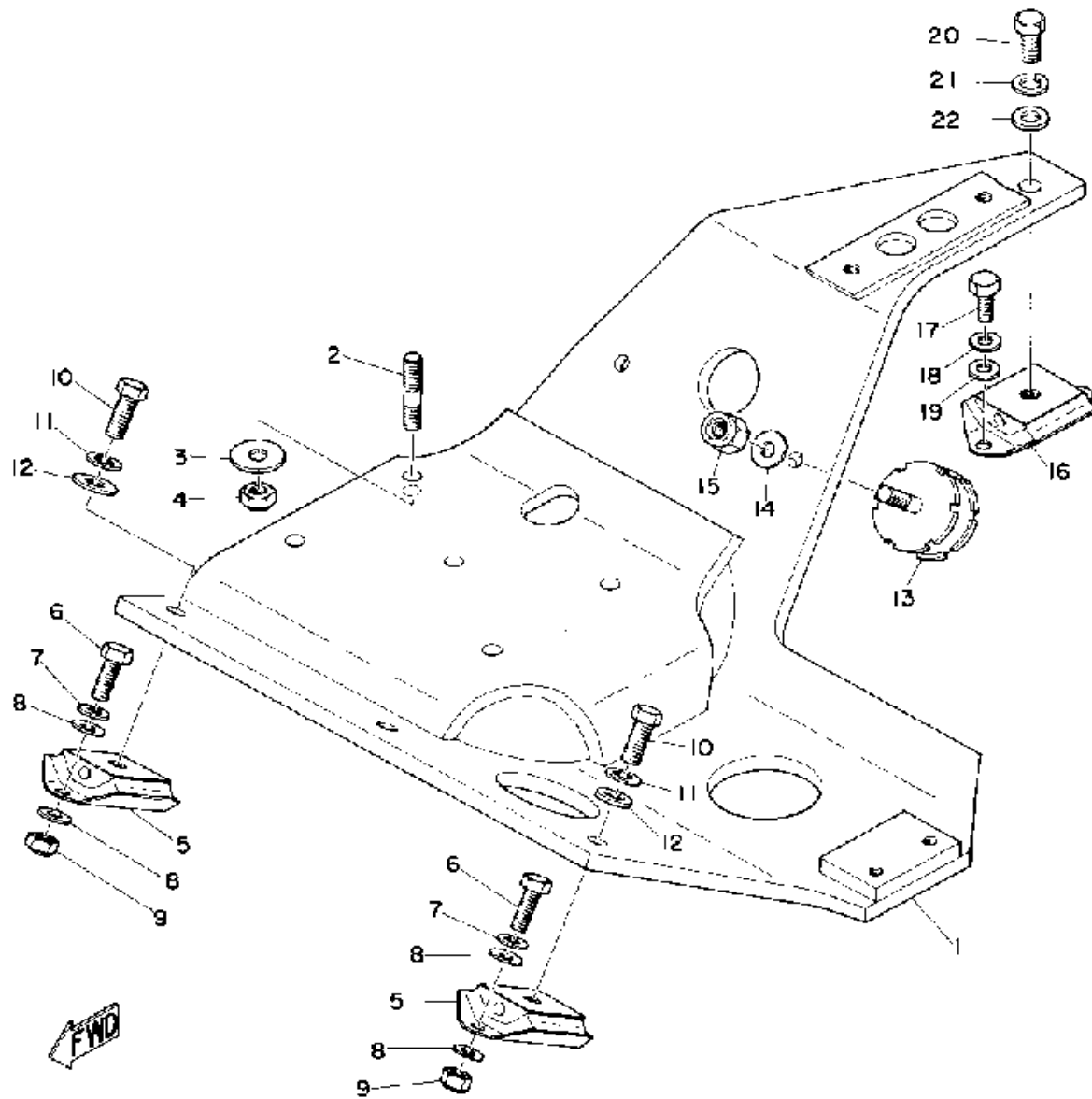
SHROUD



Ref. No.	Part Number	Description	Qty	Remarks
	17-300267-40054-00	RIVET, BLIND	12	
	17-31856-77170-00-00	LATCH ASSEMBLY	2	
	17-327313-06030-00	BOLT, HEXAGON	2	
	17-332990-06200-00	WASHER	4	
	17-345701-06300-00	NUT, NYLON	2	
	17-350267-48078-00	RIVET, BLIND	50	

Property of www.SmallEngineDiscount.com - Not for Resale

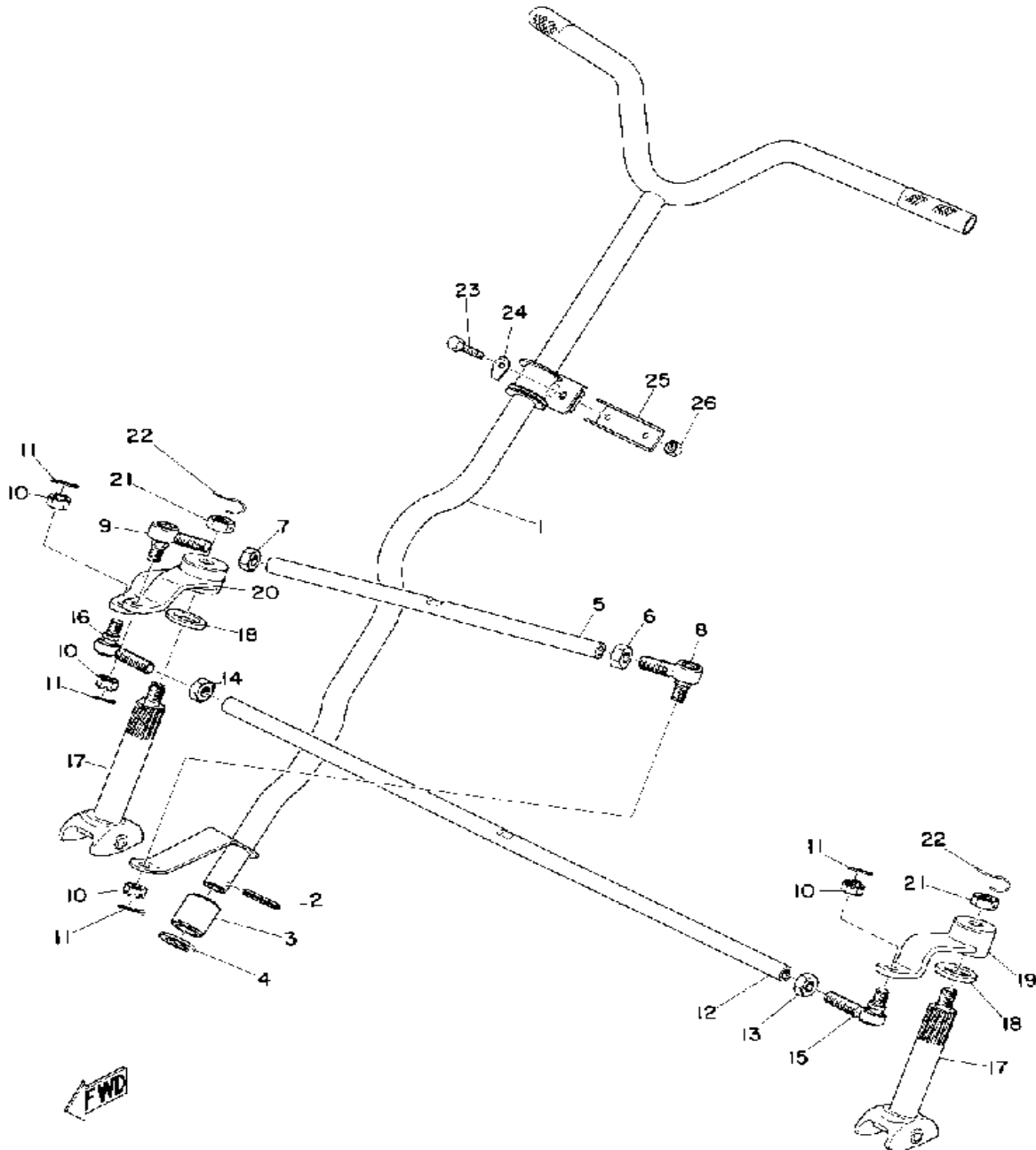
ENGINE BRACKET



Ref. No.	Part Number	Description	Qty	Remarks
18-1	(856-21411-00-00)	BRACKET, ENGINE 1	1	
18-2	90116-10132-00	BOLT, STUD	4	
18-3	90201-10144-00	WASHER, PLATE	4	
18-4	90185-10030-00	NUT, SELF-LOCKING	4	
18-5	(856-21485-00-00)	DAMPER, RUBBER 1	2	
18-6	97313-08020-00	BOLT, HEXAGON	4	
18-7	92990-08100-00	WASHER	4	
18-8	92990-08200-00	WASHER, PLAIN	6	
18-9	95333-08600-00	NUT	2	
18-10	07011-10025-00	BOLT	2	
18-11	02990-10100-00	WASHER, SPRING	2	
18-12	0201-10322-00	WASHER, PLATE	2	
18-13	(856-21486-00-00)	DAMPER 2	2	
18-14	02990-10200-00	WASHER, PLAIN	2	
18-15	0185-10017-00	NUT, SELF-LOCKING	2	
18-16	(856-21485-00-00)	DAMPER, RUBBER 1	1	
18-17	97313-08020-00	BOLT, HEXAGON	2	
18-18	02990-08100-00	WASHER	2	
18-19	02990-08200-00	WASHER, PLAIN	2	
18-20	(90101-10057-00)	BOLT	1	
18-21	02990-10100-00	WASHER, SPRING	1	
18-22	02990-10200-00	WASHER, PLAIN	1	

Property of www.SmallEngineDiscount.com - Not for Resale

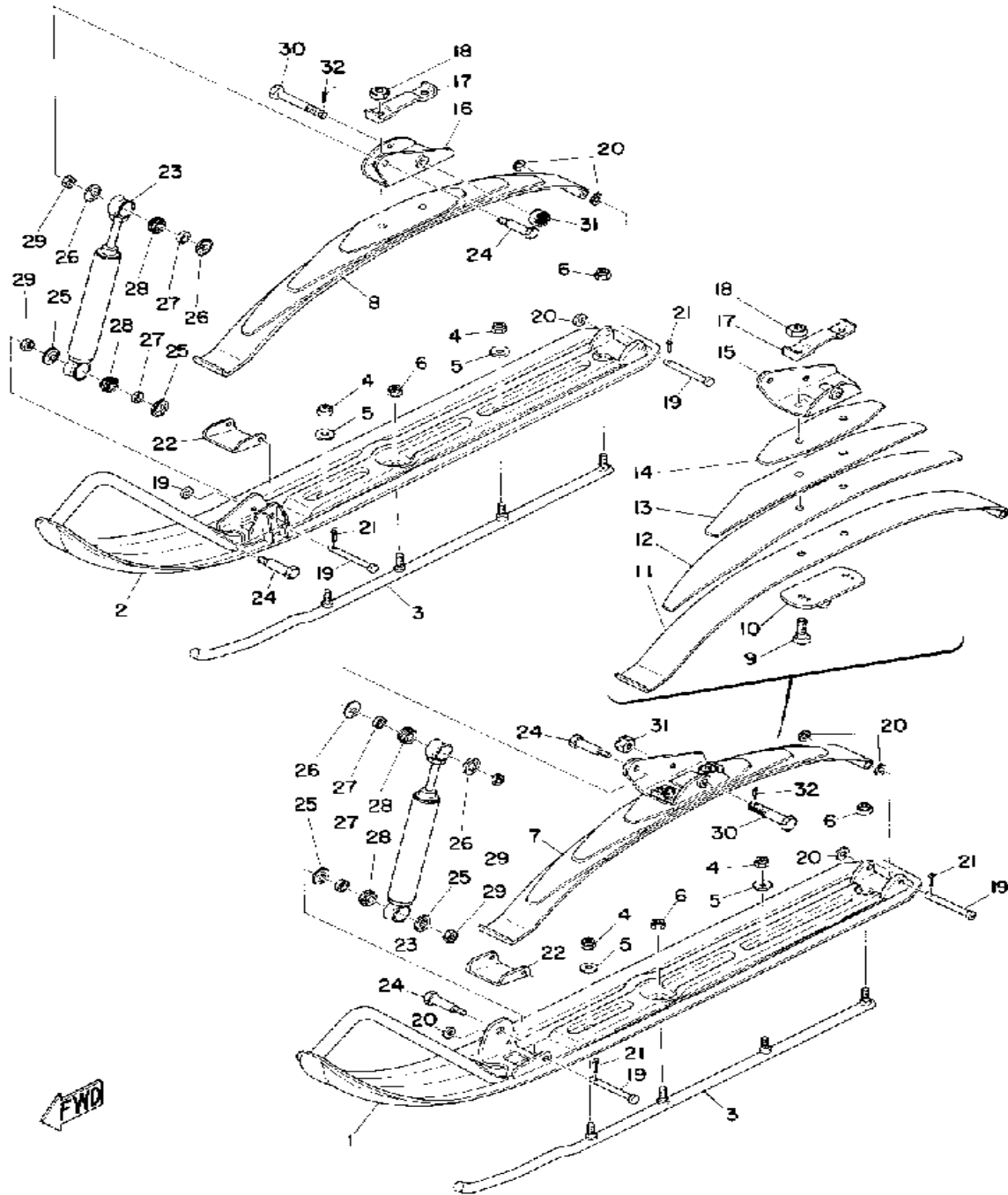
STEERING



Ref. No.	Part Number	Description	Qty	Remarks
19-1	(856-23811-01-00)	COLUMN, STEERING	1	
19-2	91609-60040-00	PIN, SPRING	1	
19-3	(856-23875-00-00)	BEARING, STRG LOWER	1	
19-4	(856-23812-00-00)	BEARING, STEERING	1	
19-5	(856-23831-00-00)	ROD, TIE	1	
19-6	90170-12055-00	NUT	1	
19-7	90170-12054-00	NUT	1	
19-8	821-23841-00-00	UNAVAILABLE IN PRICE BOOK	1	
19-9	821-23845-00-00	UNAVAILABLE IN PRICE BOOK	1	
19-10	0171-10002-00	NUT, CASTLE	4	
19-11	1401-25030-00	PIN, COTTER	4	
19-12	(856-23821-00-00)	ROD, STEERING RELAY	1	
19-13	0170-12055-00	NUT	1	
19-14	0170-12054-00	NUT	1	
19-15	(821-23841-90-00)	JOINT, UNIVERSAL 1	1	
19-16	(821-23845-90-00)	JOINT, UNIVERSAL 2	1	
19-17	(856-23853-10-00)	COLUMN, SKI 1	2	
19-18	(90560-25047-00)	SPACER	2	
19-19	(856-23851-00-00)	ARM, OUTSIDE 1	1	
19-20	(856-23852-00-00)	ARM, OUTSIDE 2	1	
19-21	(95306-12100-00)	NUT, DRILLED	2	
19-23	07313-06040-00	BOLT, HEXAGON	2	
19-24	(90215-06038-00)	WASHER, LOCK	2	
19-25	(856-23895-00-00)	WASHER, LOCK 2	1	
19-26	05701-06300-00	NUT, NYLON	2	

Property of www.SmallEngineDiscount.com - Not for Resale

SKI

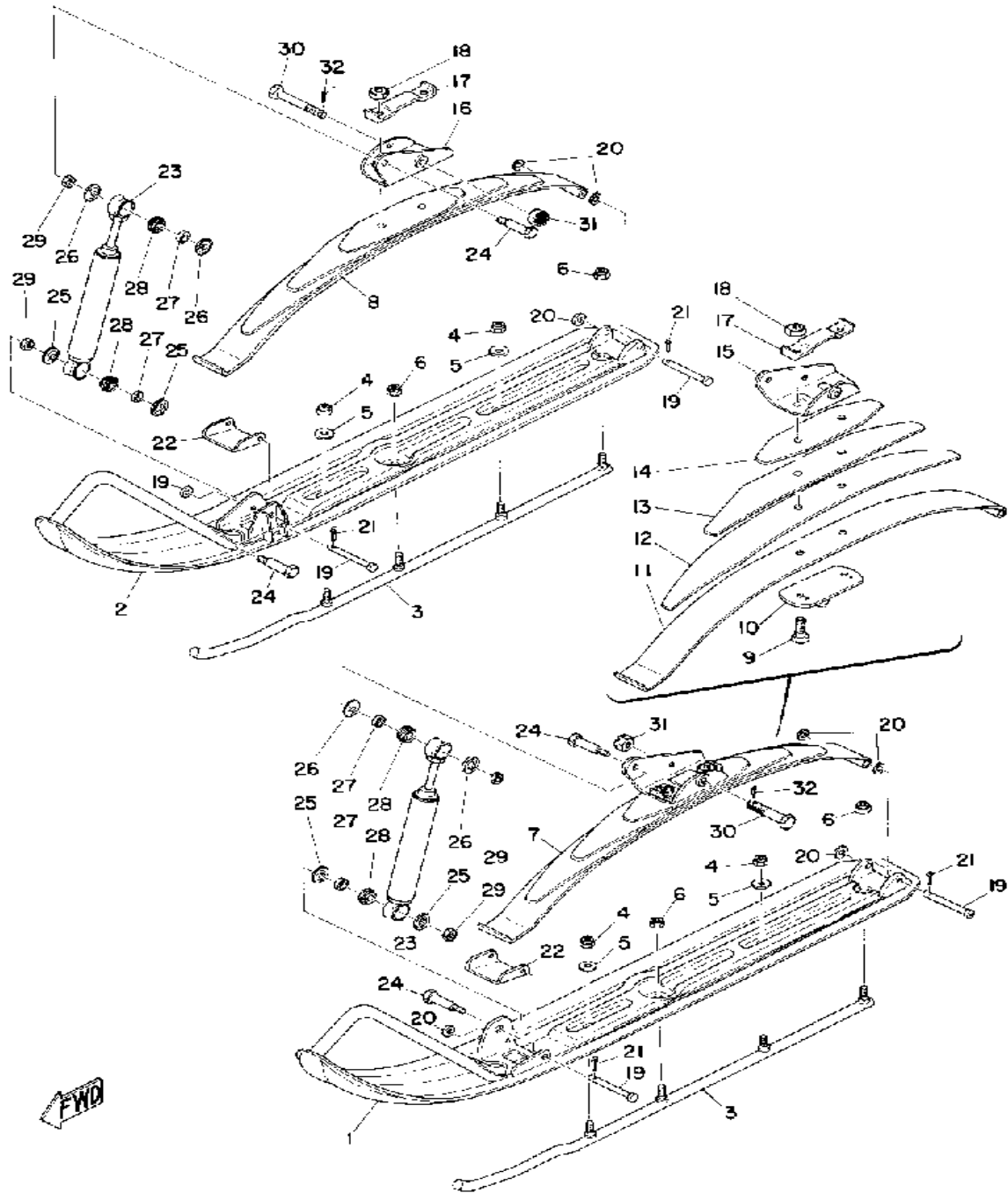


Ref. No.	Part Number	Description	Qty	Remarks
20-1	(856-23710-01-00)	SKI 1	1	
20-2	(856-23720-01-00)	SKI 2	1	
20-3	(856-23731-01-00)	RUNNER 1	2	
20-4	95701-06300-00	NUT, NYLON	4	
20-5	92990-06200-00	WASHER	4	
20-6	95611-08100-00	NUT, U	4	
20-7	(836-23760-00-00)	SPRING ASSEMBLY 1	1	
20-8	(836-23770-00-00)	SPRING ASSEMBLY 2	1	
20-9	90101-10060-00	BOLT	4	
20-10	802-23768-00-00	SEAT, SPRING 1	2	
20-11	(810-23761-00-00)	LEAF 1	2	
20-12	(810-23762-00-00)	LEAF 2	2	
20-13	(810-23763-00-00)	LEAF 3	2	
20-14	(810-23771-00-00)	LEAF 5	2	
20-15	(829-23766-00-00)	SADDLE 1	1	
20-16	(829-23776-00-00)	SADDLE 2	1	
20-17	90209-10069-00	WASHER, SPEC'L SHAP	2	
20-18	95336-10600-00	NUT	4	
20-19	90240-08019-00	PIN, CLEVIS	4	
20-20	90201-087H6-00	WASHER, PLATE	8	
20-21	91401-30020-00	PIN, COTTER	4	
20-22	802-23735-00-00	PLATE, WEAR 1	2	
20-23	(856-23350-00-00)	SHOCK ABSORBER ASSEMBLY	2	
20-24	(90109-08014-00)	BOLT	4	
20-25	(90208-12006-00)	WASHER, CONICAL SPR	4	
20-26	(90208-09005-00)	WASHER, CONICAL SPR	4	
20-27	(90387-12104-00)	COLLAR	4	
20-28	(90385-12013-00)	BUSH, SPEC'L RUBBER	4	

CONTINUED ON NEXT FRAME ►

Property of www.SmallEngineDiscount.com - Not for Resale

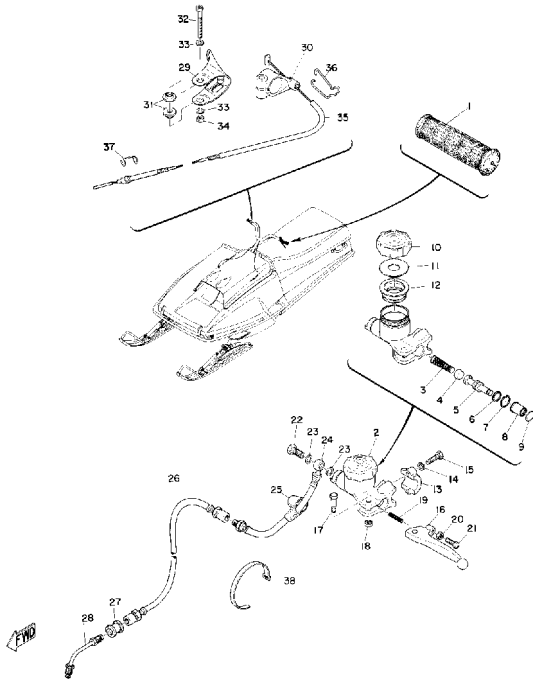
SKI



Ref. No.	Part Number	Description	Qty	Remarks
	20-2995611-08100-00	NUT, U	4	
	20-300102-10023-00	BOLT, WITH HOLE	2	
	20-3195306-10900-00	NUT, SLOTTED	2	
	30-321490-20025-00	PIN, SPLIT	2	

Property of www.SmallEngineDiscount.com - Not for Resale

MASTER CYLINDER - WIRE

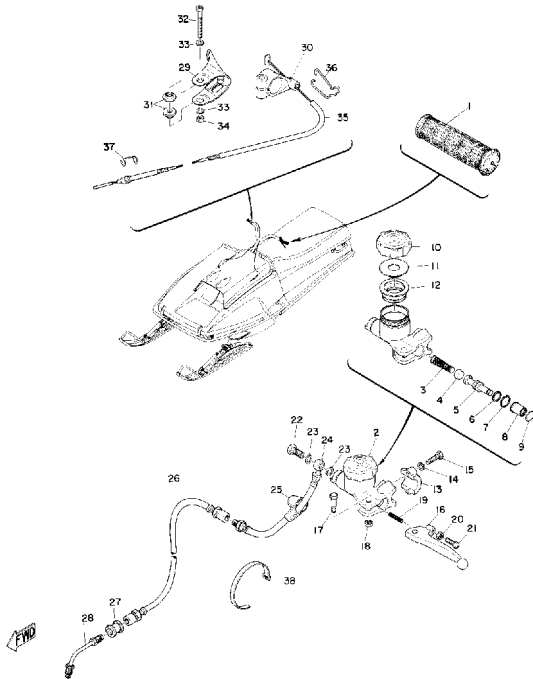


Ref. No.	Part Number	Description	Qty	Remarks
21-1	801-26241-01-00	GRIP	2	
21-2	856-25850-00-00	NO LONGER AVAILABLE	1	
21-3	341-25863-00-00	SPRING, CONICAL	1	
21-4	341-25858-00-00	CUP, CYLINDER 1	1	
21-5	341-25809-00-00	PISTON SET, CALIPER	1	
21-6	341-25857-00-00	SPACER	1	
21-7	341-25866-00-00	CIRCLIP	1	
21-8	341-25868-00-00	BOOT, MASTER CYLINDER ...	1	
21-9	341-25869-00-00	STOPPER, BOOT	1	
21-10	341-25852-00-00	CAP, RESERVOIR	1	
21-11	341-25855-30-00	BUSH, DIAPHRAGM (341-25855-00)	1	
21-12	341-25854-00-00	DIAPHRAGM RESERVOR	1	
21-13	J3-25867-00-00	BRACKET, MASTER CYLINDER (341-25867-00)	1	
21-14	2995-06100-00	WASHER, SPRING	2	
21-15	97011-06025-00	BOLT (97001-06025)	2	
21-16	(856-83912-00-00)	LEVER L	1	
21-17	90109-06465-00	BOLT	1	
21-18	95380-06700-00	NUT	1	
21-19	90501-10312-00	SPRING, COMPRESSION	1	
21-20	90170-06010-00	NUT	1	
21-21	90146-06005-00	SCREW, OVAL FLSTR (306-83928-01)	1	
21-22	90401-10034-00	BOLT, UNION	1	
21-23	90201-10118-00	WASHER, PLATE	2	
21-24	306-25872-06-00	HOSE, BRAKE 1	1	
21-25	306-25862-00-00	BOOT, MASTER CYLINDER ...	1	
21-26	(856-25873-00-00)	HOSE, BRAKE 2	1	
21-27	306-25881-00-00	PROTC, BRAKE HOSE	1	

CONTINUED ON NEXT FRAME ➤

Property of www.SmallEngineDiscount.com - Not for Resale

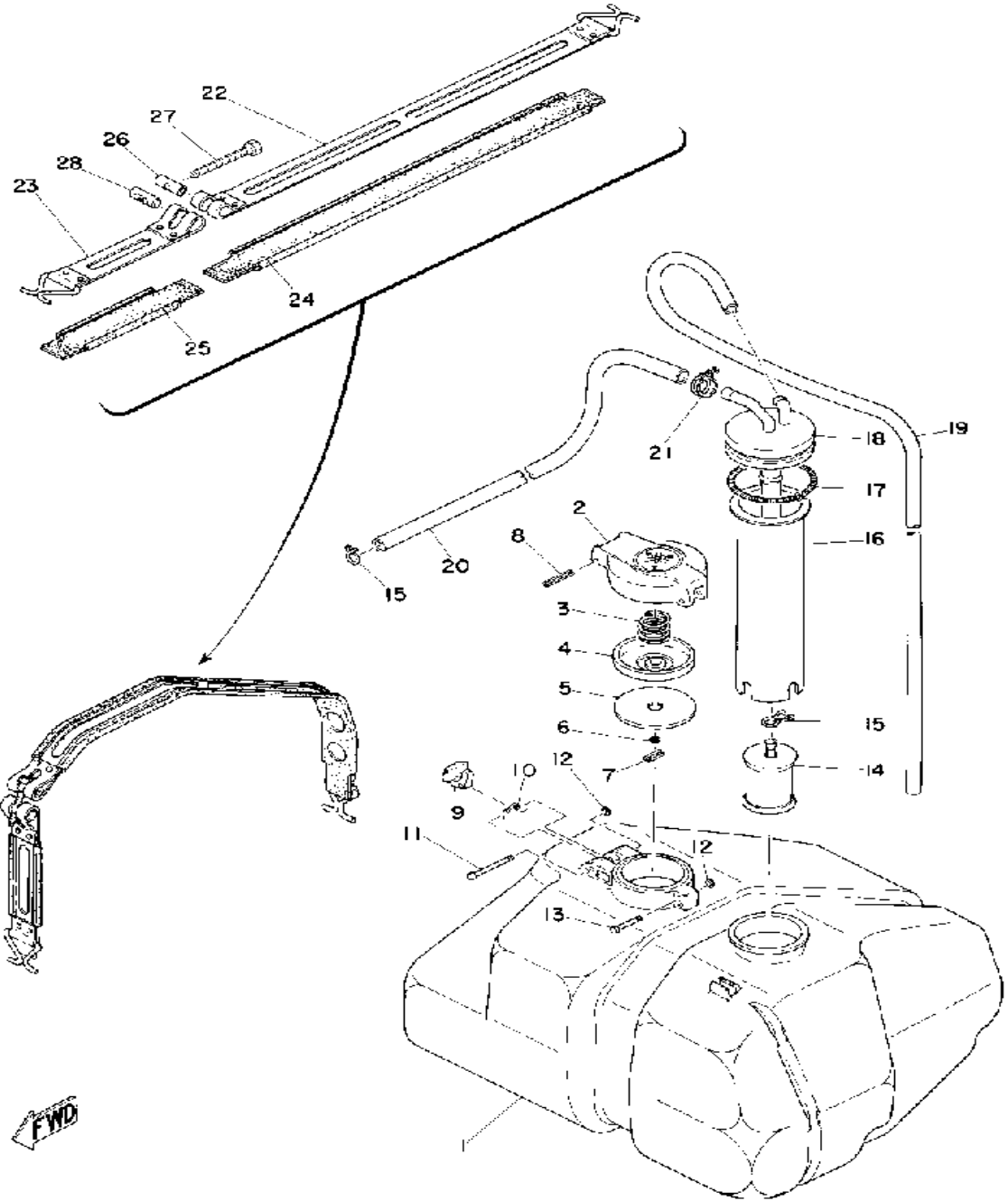
MASTER CYLINDER - WIRE



Ref. No.	Part Number	Description	Qty	Remarks
	21-28(856-25883-00-00)	PIPE, BRAKE 3	1	
	21-2999999-01028-00	THROTTLE LEVER	1	
	21-30810-82821-00-00	HOLDER, LEVER 2	1	
	21-3190387-062M9-00	COLLAR	2	
	21-3290157-06004-00	SCREW, PAN HEAD (810-83925-00)	1	
	21-3392990-06200-00	WASHER	2	
	21-3495380-06700-00	NUT	1	
	21-35856-26311-00-00	CABLE, THROTTLE 1	1	
	21-3690468-10017-00	CLIP (821-26391-00)	1	
	21-3790465-10033-00	CLAMP	1	
	21-38437-83936-11-00	BAND, SWITCH CORD	1	

Property of www.SmallEngineDiscount.com - Not for Resale

FUEL TANK

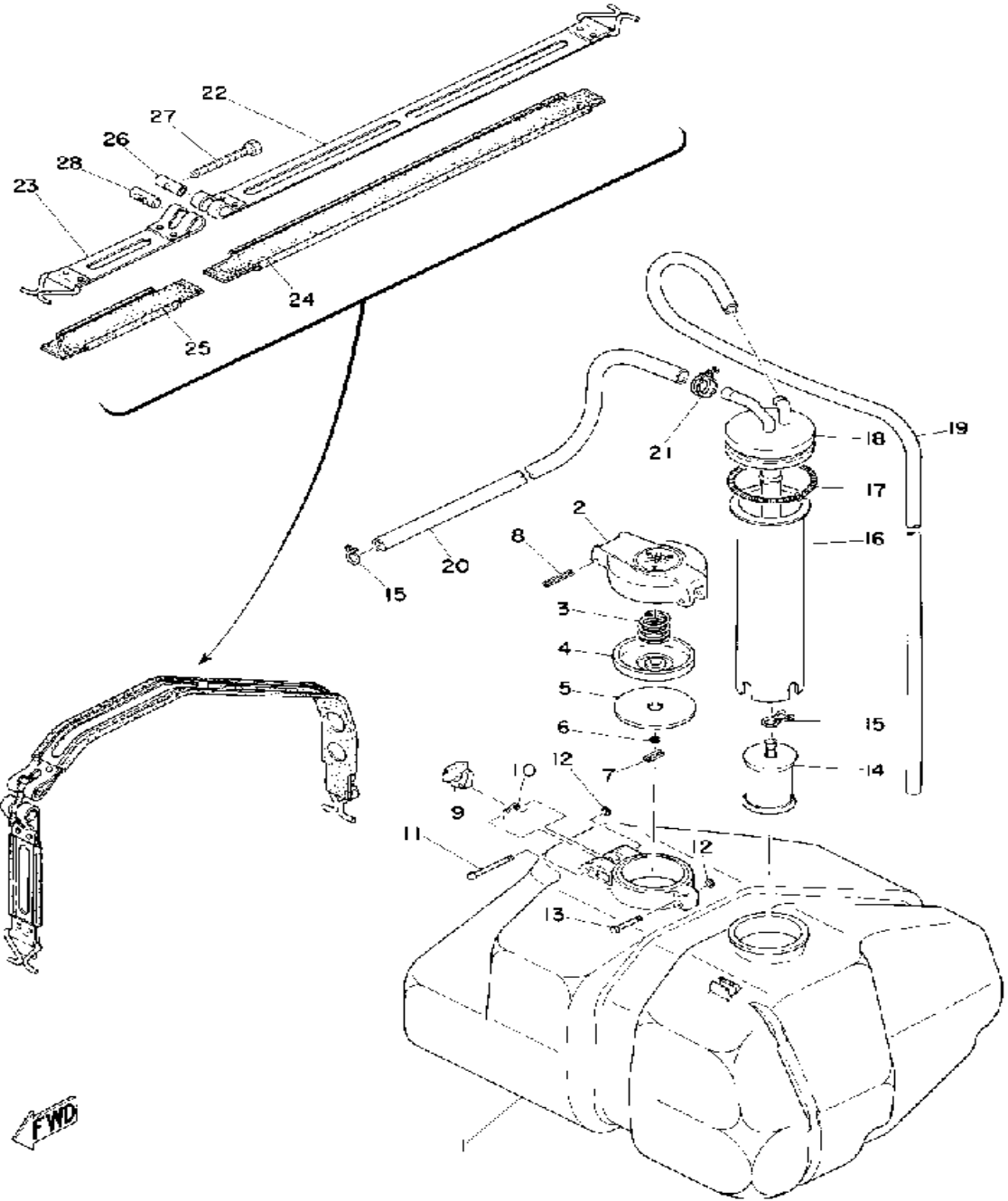


Ref. No.	Part Number	Description	Qty	Remarks
22-1	853-24111-01-00	FUEL TANK	1	
22-2	(848-24611-00-00)	BODY, CAP	1	
22-3	90501-20130-00	SPRING, COMPRESSION	1	
22-4	813-24613-01-00	DISC, CAP	1	
22-5	256-24612-00-00	GASKET, CAP	1	
22-6	93210-04122-00	O-RING	1	
22-7	91609-30016-00	PIN, SPRING	1	
22-8	91609-25032-00	PIN, SPRING	1	
22-9	83M-24628-00-00	HOOK	1	
22-10	0508-08003-00	SPRING, TORSION (813-24637-00)	1	
22-11	0249-03017-00	PIN	1	
22-12	03430-02001-00	CIRCLIP	2	
22-13	0249-03016-00	PIN, SPEC'L SHAPE	1	
22-14	(856-24560-00-00)	FILTER ASSEMBLY	1	
22-15	0467-11009-00	CLIP	2	
22-16	(829-24336-00-00)	PIPE, SUCTION 2	1	
22-17	0506-06065-00	SPRING, TENSION	1	
22-18	853-24335-00-00	PIPE, SUCTION 1	1	
22-19	0446-09092-00	HOSE	1	
22-20	(90446-11027-00)	HOSE	1	
22-21	0460-11002-00	CLAMP, HOSE	1	
22-22	853-24173-00-00	BAND, TNK FITTING 1	1	
22-23	(836-24199-00-00)	BAND, TNK FITTING 2	1	
22-24	(853-24183-00-00)	DAMPER, LOCATING 3	1	
22-25	(813-24184-00-00)	DAMPER, LOCATING 4	1	
22-26	806-24135-00-00	CLAMP 1	1	
22-27	0149-05006-00	SCREW, SPEC'L SHAPE (821-24176-00)	1	

CONTINUED ON NEXT FRAME ►

Property of www.SmallEngineDiscount.com - Not for Resale

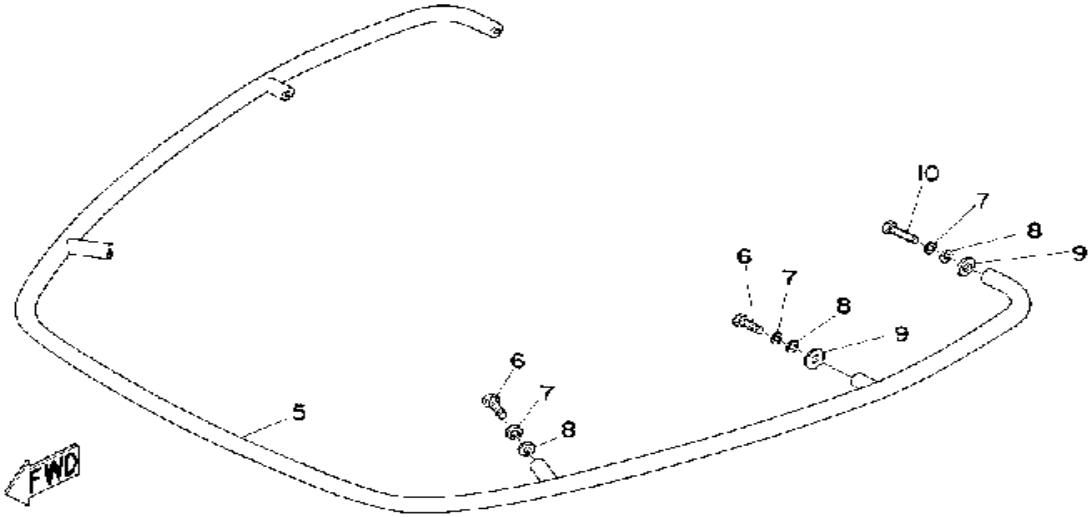
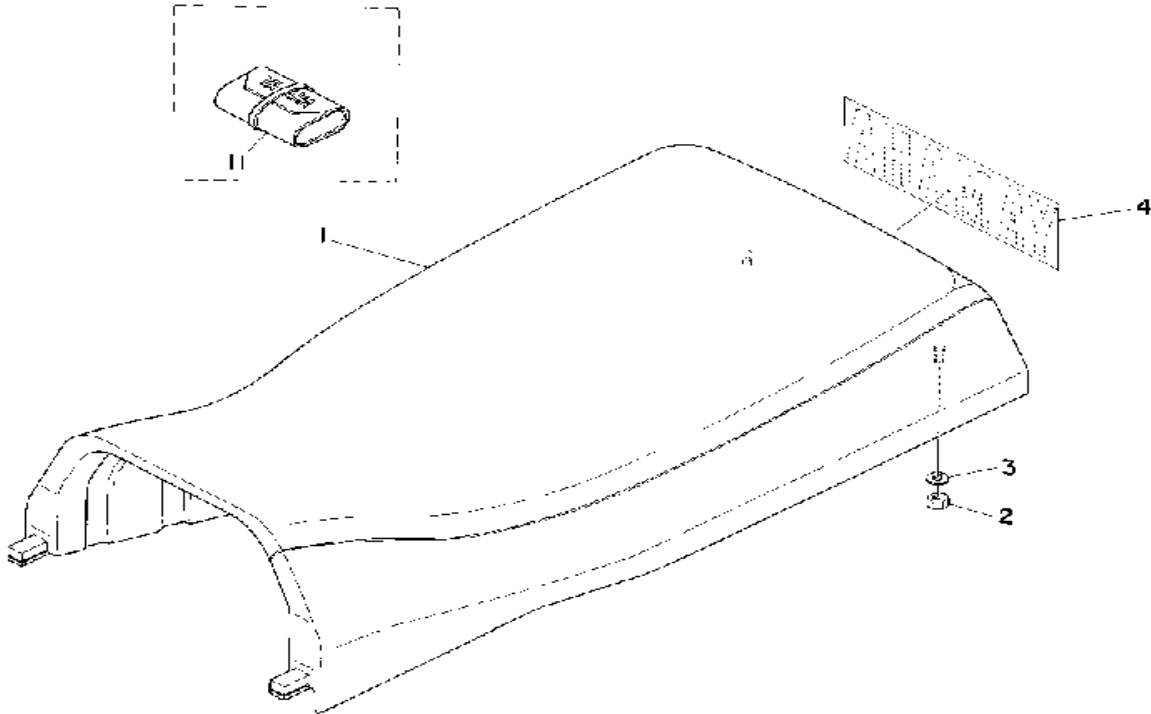
FUEL TANK



Ref. No.	Part Number	Description	Qty	Remarks
	22-280179-05030-00	NUT, SPEC'L SHAPE (806-24146-00)	1	

Property of www.SmallEngineDiscount.com - Not for Resale

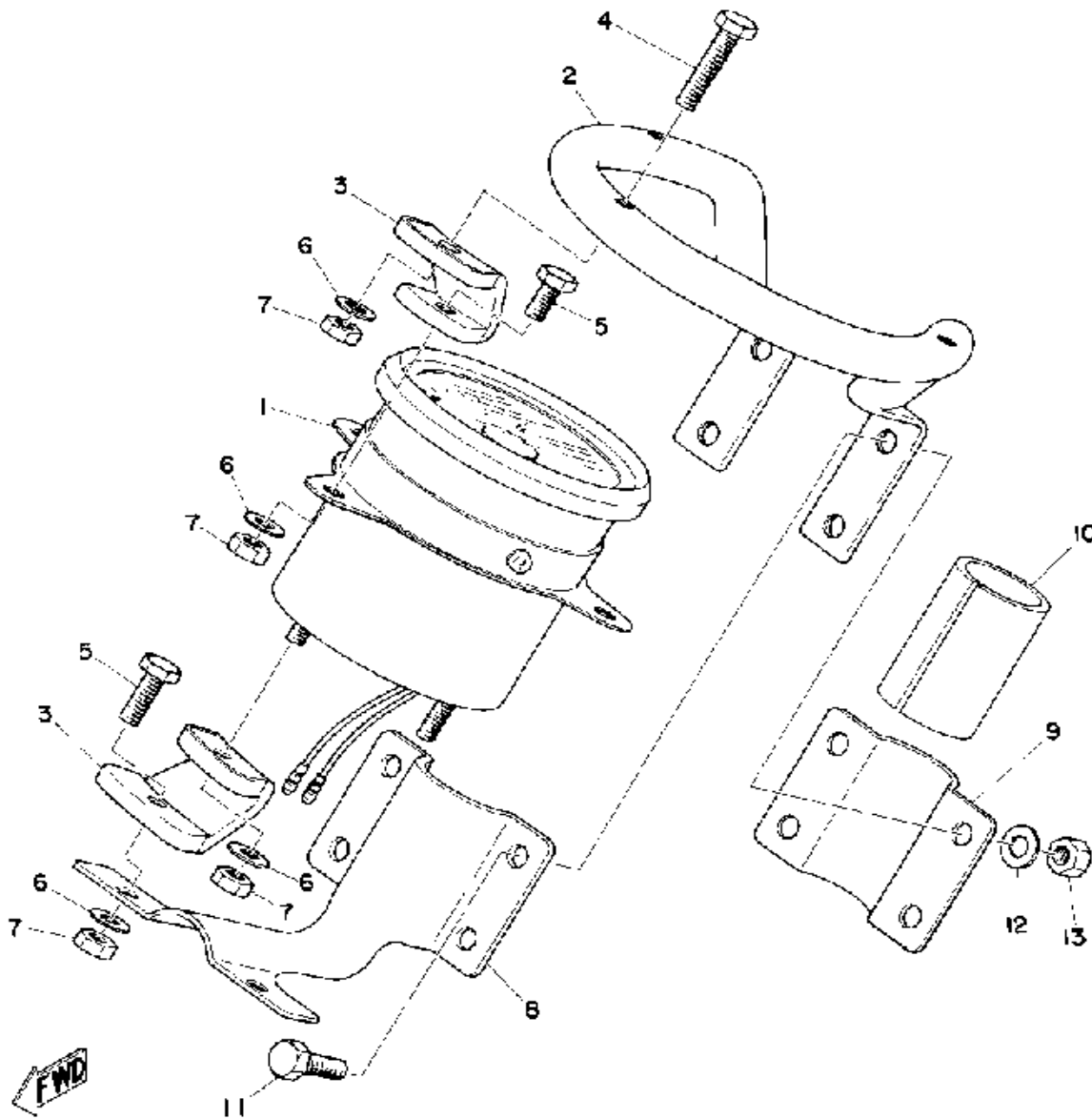
SEAT - BUMPER



Ref. No.	Part Number	Description	Qty	Remarks
23-1	(856-24730-01-00)	DOUBLE SEAT ASSEMBLY ...	1	
23-2	95611-08100-00	NUT, U	2	
23-3	92990-08200-00	WASHER, PLAIN	2	
23-4	(856-77352-00-00)	EMBLEM 2	1	
23-5	(856-77510-00-00)	FRONT BUMPER	1	
23-6	97313-08030-00	BOLT, HEXAGON	4	
23-7	92990-08100-00	WASHER	6	
23-8	92990-08200-00	WASHER, PLAIN	6	
23-9	(90201-08320-00)	WASHER, PLATE	4	
23-10	97313-08040-00	BOLT, HEXAGON (97322-08040)	2	
23-11	(856-28100-10-00)	TOOL KIT	1	

Property of www.SmallEngineDiscount.com - Not for Resale

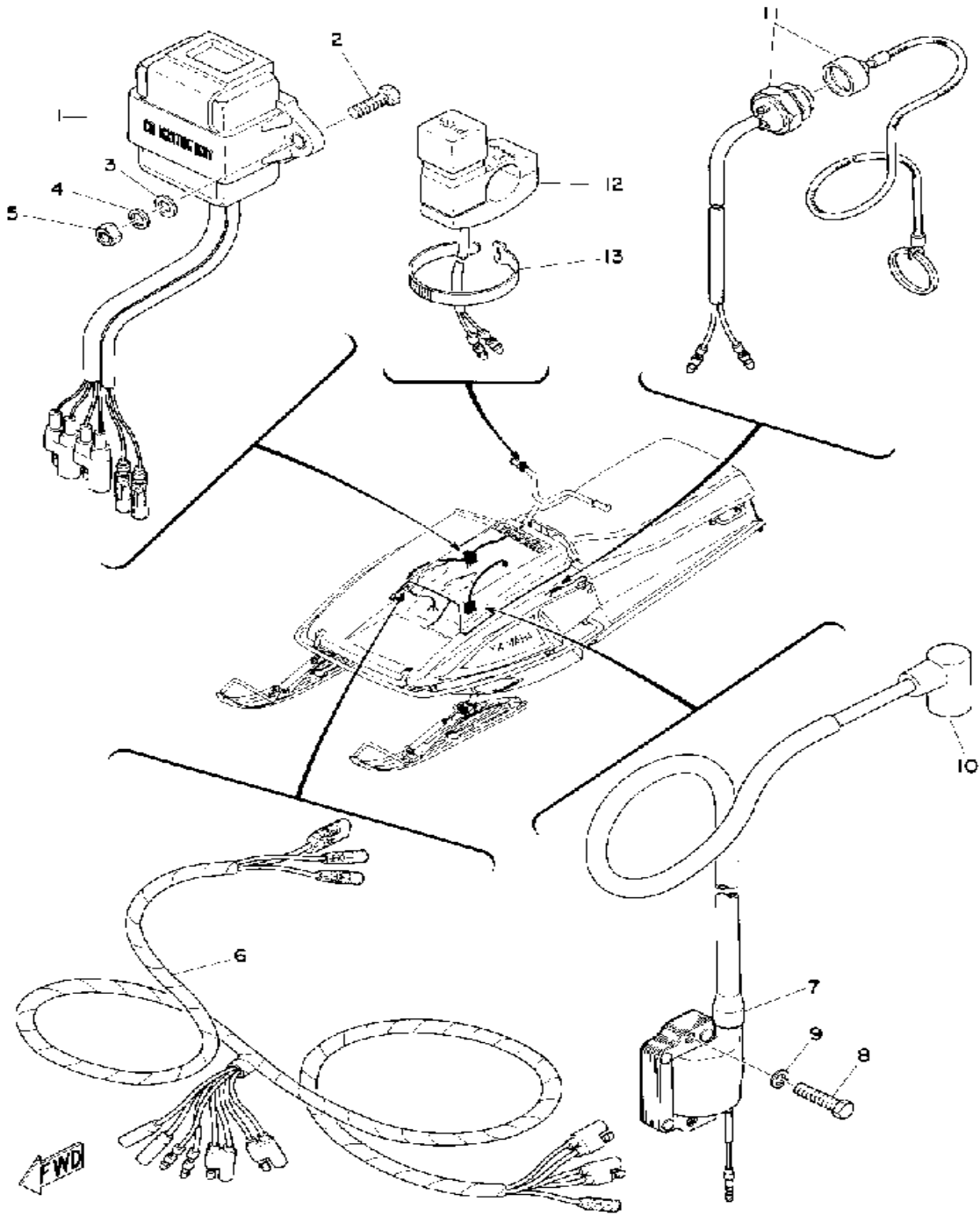
TACHOMETER



Ref. No.	Part Number	Description	Qty	Remarks
24-1	(856-83540-00-00)	TACHOMETER ASSEMBLY ...	1	
24-2	(856-83545-00-00)	BRACKET, TACHOMETER	1	
24-3	143-83543-00-00	DAMPER, BRACKET	5	
24-4	(97326-05025-00)	BOLT, HEXAGON	3	
24-5	(97306-05015-00)	BOLT, HEXAGON	5	
24-6	92906-05200-00	WASHER, PLAIN	8	
24-7	(90185-05018-00)	NUT, SELF-LOCKING	10	
24-8	(856-83544-00-00)	PLATE, FITTING	1	
24-9	856-83577-00-00	PLATE, FITTING	1	
24-10	(856-83541-00-00)	DAMPER	1	
24-11	197016-06020-00	BOLT	4	
24-12	2906-06200-00	WASHER	4	
24-13	35701-06300-00	NUT, NYLON	4	

Property of www.SmallEngineDiscount.com - Not for Resale

ELECTRICAL



Ref. No.	Part Number	Description	Qty	Remarks
25-1	(856-85540-10-00)	CDI UNIT ASSEMBLY	1	
25-2	97011-06020-00	BOLT	2	
25-3	92990-06200-00	WASHER	2	
25-4	92995-06100-00	WASHER, SPRING	2	
25-5	95380-06600-00	NUT	2	
25-6	(856-82590-20-00)	WIRE HARNESS ASSEMBLY ..	1	
25-7	(878-82310-30-00)	IGNITION COIL ASSEMBLY ...	1	
25-8	98506-06025-00	SCREW, PAN HEAD	2	
25-9	92906-06100-00	WASHER, SPRING	1	
25-10	663-82370-01-00	PLUG CAP ASSEMBLY	1	
25-11	(856-82550-01-00)	STOP SWITCH ASSEMBLY ...	1	
25-12	(856-83976-00-00)	SWITCH, HANDLE 1	1	
25-13	437-83936-11-00	BAND, SWITCH CORD	1	

Property of www.SmallEngineDiscount.com - Not for Resale