

**YAMAHA**

**GENUINE**

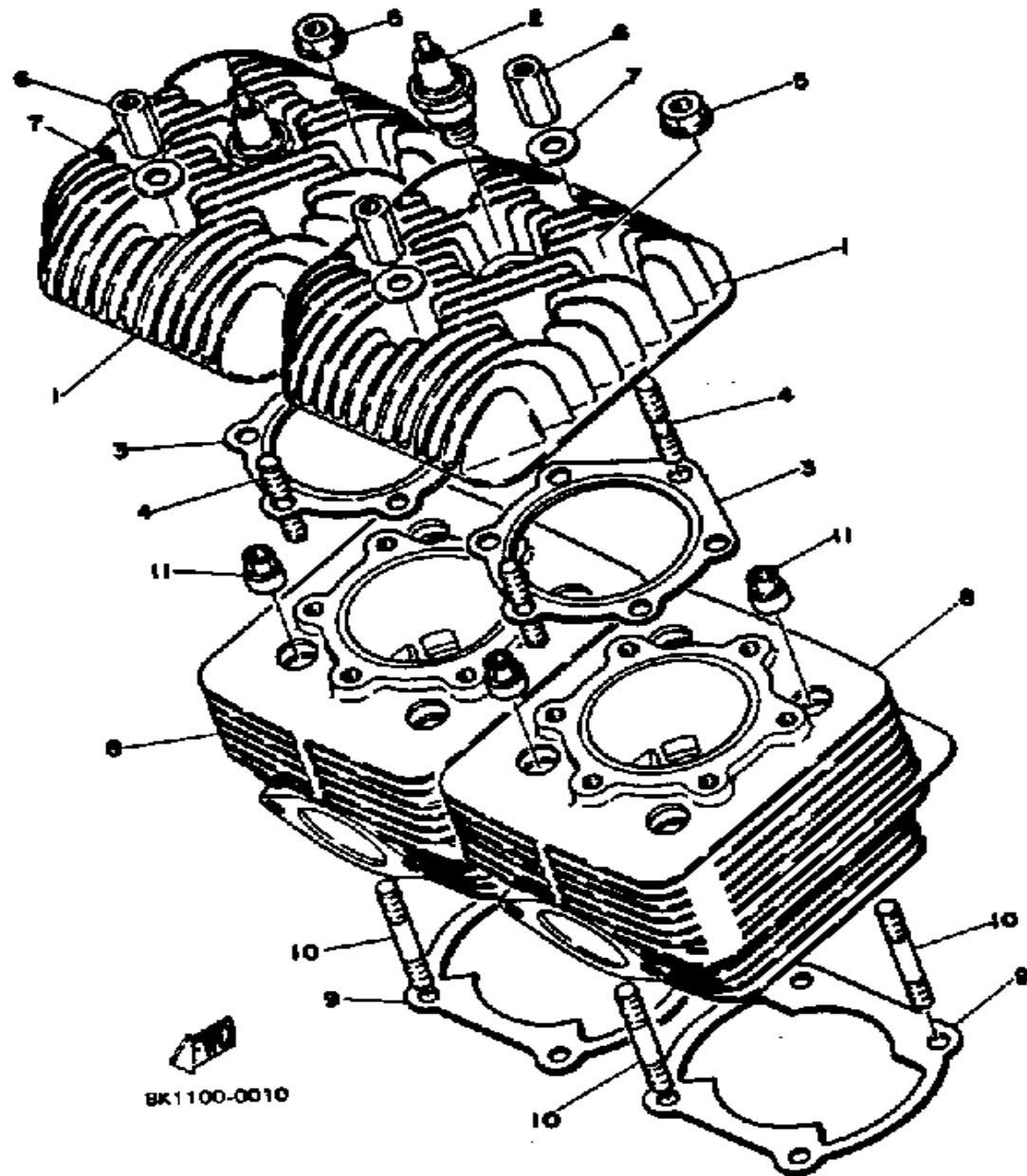
**PARTS CATALOGUE**

**SNOWMOBILE**

Not For Resale

[www.SmallEngineDiscount.com](http://www.SmallEngineDiscount.com)

## CYLINDER SR540D-E-F

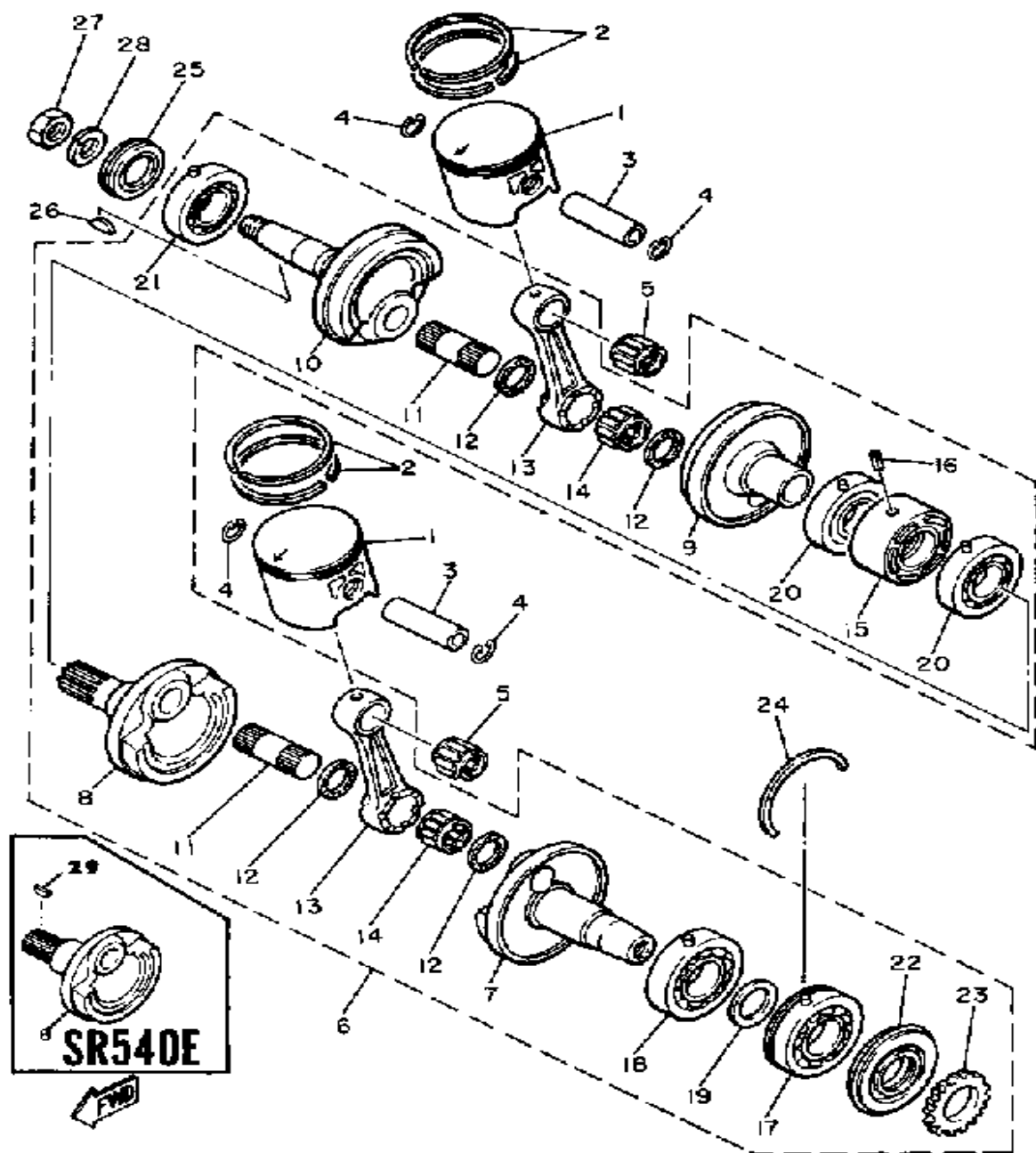


Ref. No.	Part Number	Description	Qty	Remarks
1	8H8-11111-00-00	HEAD, CYLINDER 1 .....	2	
	8R6-11111-00-00	HEAD, CYLINDER 1 .....	2	
2	NGK-BR9ES-00-00	PLUG, SPARK (NGK BR9ES) ..	2	
	NGK-BR9EV-00-00	NGK BR9EV 4PK (94701-00114)	2	
	NGK-BR9EV-01-PC	NGK 1PCTRM BR9EV10 (94702-00193-00) .....	2	
3	8H8-11181-01-00	GASKET, CYLINDER HEAD 1 (8H8-11181-00) .....	2	
4	90116-08104-00	BOLT, STUD .....	12	
5	95701-08500-00	NUT, FLANGE (95702-08500) ..	8	
6	90179-08269-00	NUT, SPEC'L SHAPE .....	4	
7	90201-08100-00	WASHER, PLATE .....	4	
8	8H8-11311-00-00	CYLINDER 1 .....	2	
	8R6-11311-00-00	CYLINDER 1 .....	2	
9	89N-11351-00-00	GASKET, CYLINDER .....	2	
10	90116-08302-00	BOLT, STUD .....	8	
11	90179-08268-00	NUT .....	8	

Not For Resale

[www.SmallEngineDiscount.com](http://www.SmallEngineDiscount.com)

# CRANKSHAFT - PISTON SR540D-E



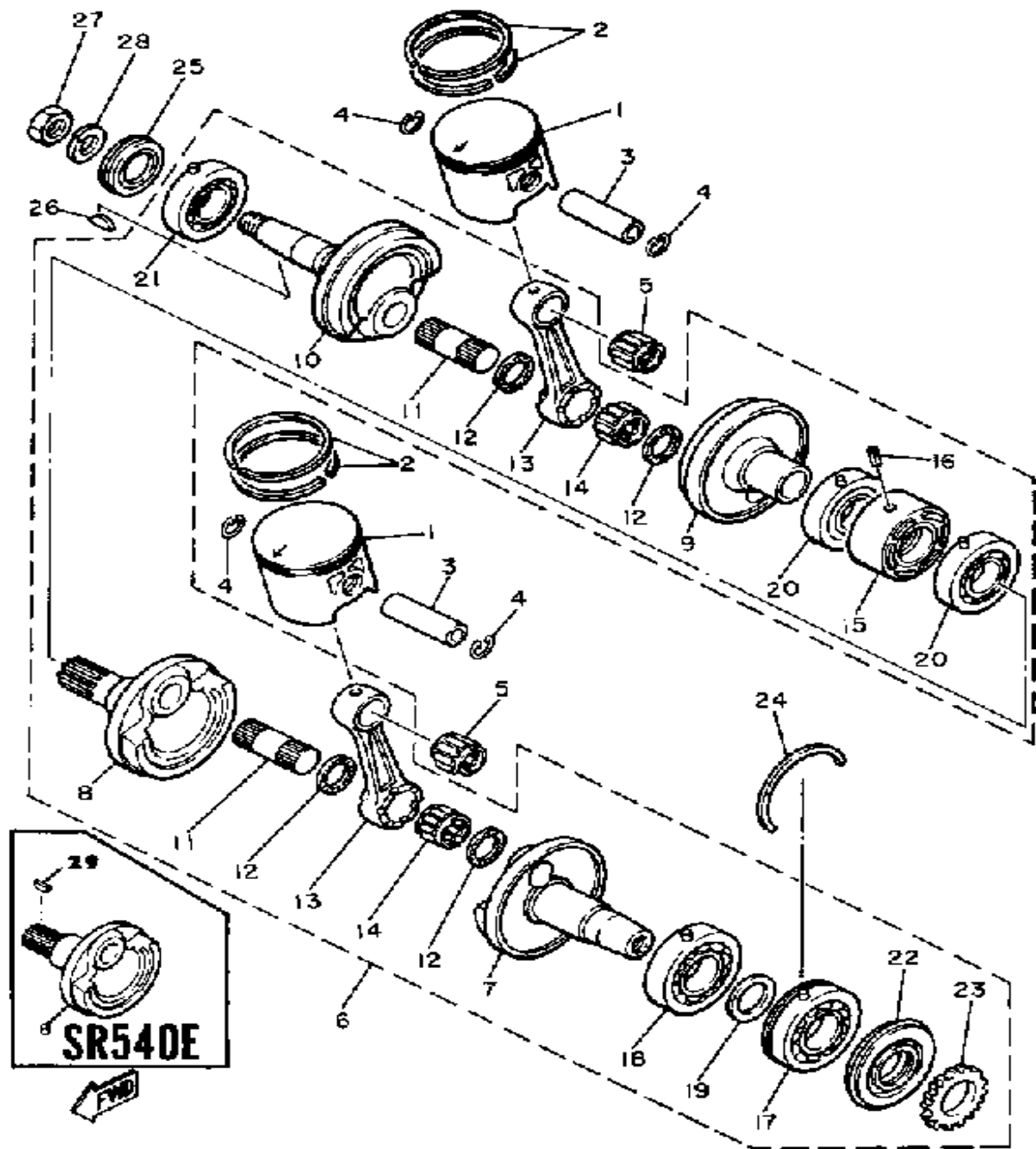
Ref. No.	Part Number	Description	Qty	Remarks
1	8H8-11631-00-94	PISTON STD	2	
	8H8-11635-00-00	PISTON 1 O/S 0.5	2	
	8H8-11636-00-00	PISTON 2 O/S 0.0	2	
	8H8-11637-00-00	PISTON 3 O/S 0.5	2	
	8H8-11638-00-00	PISTON 4 O/S 1.0	2	
2	8F3-11601-00-00	PISTON RINGSET STD	2	
	8F3-11601-10-00	PISTON RINGSET 1ST	2	
	8F3-11601-20-00	PISTON RINGSET 2ND	2	
	8F3-11601-30-00	PISTON RINGSET 3RD	2	
	8F3-11601-40-00	PISTON RINGSET 4TH	2	
3	8H8-11633-00-00	PIN, PISTON	2	
4	93450-20058-00	CIRCLIP, INNER	4	
5	93310-320G0-00	BEARING	2	
6	8R6-11400-01-00	CRANKSHAFT ASSEMBLY	1	
7	8L0-11412-02-00	. CRANK 1	1	
8	8H8-11422-00-00	. CRANK 2	1	
	8H8-11422-01-00	. CRANK 2	1	
9	(8H8-11432-00-00)	CRANK 3	1	
	8H8-11432-01-00	. CRANK 3	1	
10	8H8-11442-00-00	. CRANK 4	1	
11	8H8-11681-00-00	. PIN, CRANK 1	2	
12	90209-24073-00	. WASHER, SPEC'L SHAP	4	
13	8R6-11651-00-00	. ROD, CONNECTING	2	
14	93310-524K4-00	. BEARING	2	
15	8H8-11515-00-00	. SEAL, LABYRINTH 1	1	
16	91609-30010-00	. PIN, SPRING	1	
17	93306-30612-00	. BEARING (B6306)	1	
18	93306-30625-00	. BEARING	1	
19	90201-34683-00	. WASHER, PLATE (90201-33299-00)	1	

CONTINUED ON NEXT FRAME ➤

Not For Resale

www.SmallEngineDiscount.com

# CRANKSHAFT - PISTON SR540D-E

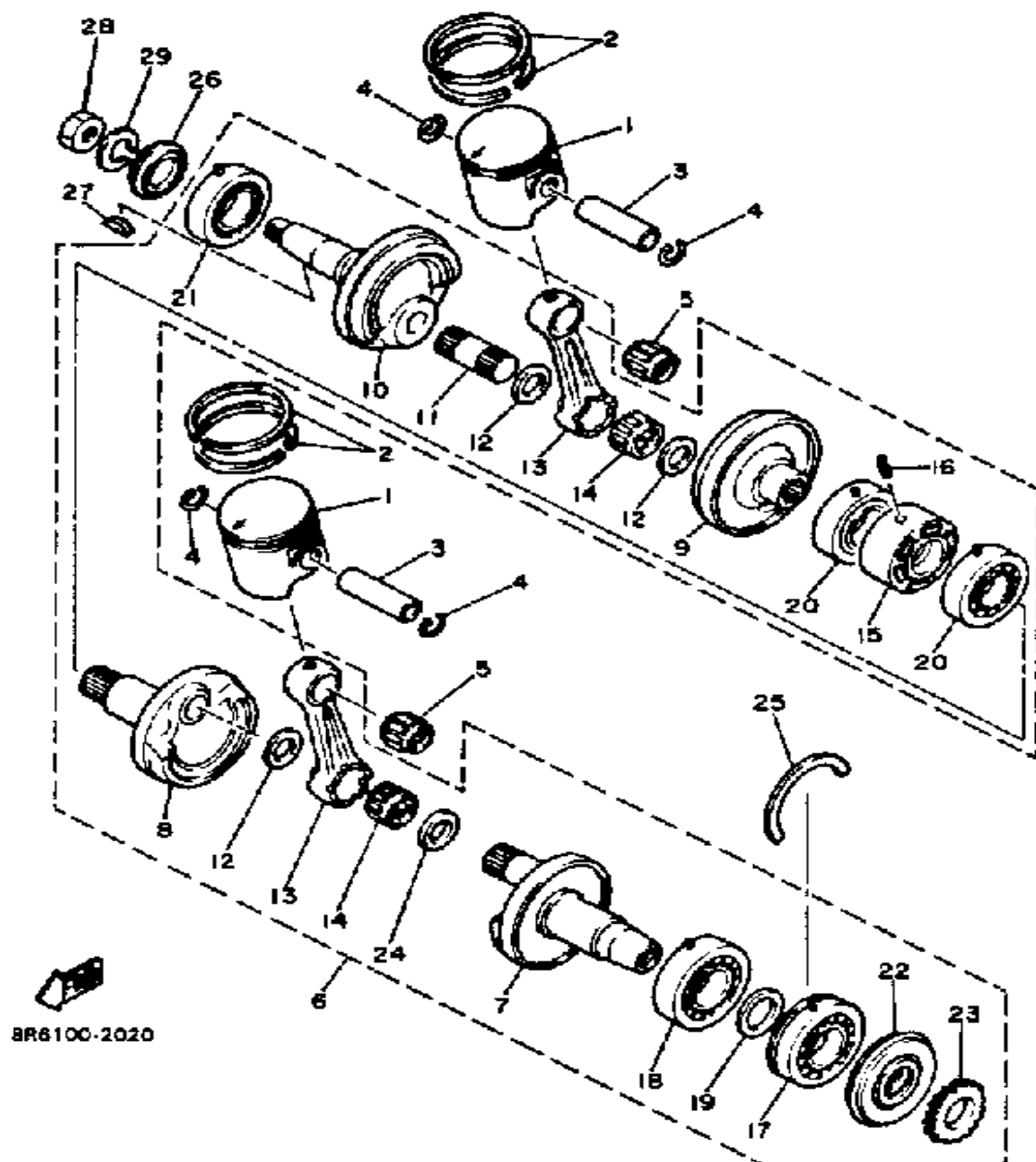


Ref. No.	Part Number	Description	Qty	Remarks
20	93306-20617-00	. BEARING (B6206) .....	2	
21	93306-20617-00	. BEARING (B6206) .....	1	
22	93103-32095-00	. OIL SEAL .....	1	
23	8K2-13178-00-00	. GEAR, PUMP DRIVE .....	1	
24	93440-78069-00	CIRCLIP .....	1	
25	93103-32156-00	OIL SEAL .....	1	
26	90280-05014-00	KEY, WOODRUFF .....	1	
27	90170-16182-00	NUT, HEXAGON .....	1	
28	92901-16100-00	WASHER, SPRING .....	1	
29	90280-05014-00	KEY, WOODRUFF .....	1	

Not For Resale

[www.SmallEngineDiscount.com](http://www.SmallEngineDiscount.com)

# CRANKSHAFT-PISTON SR540F



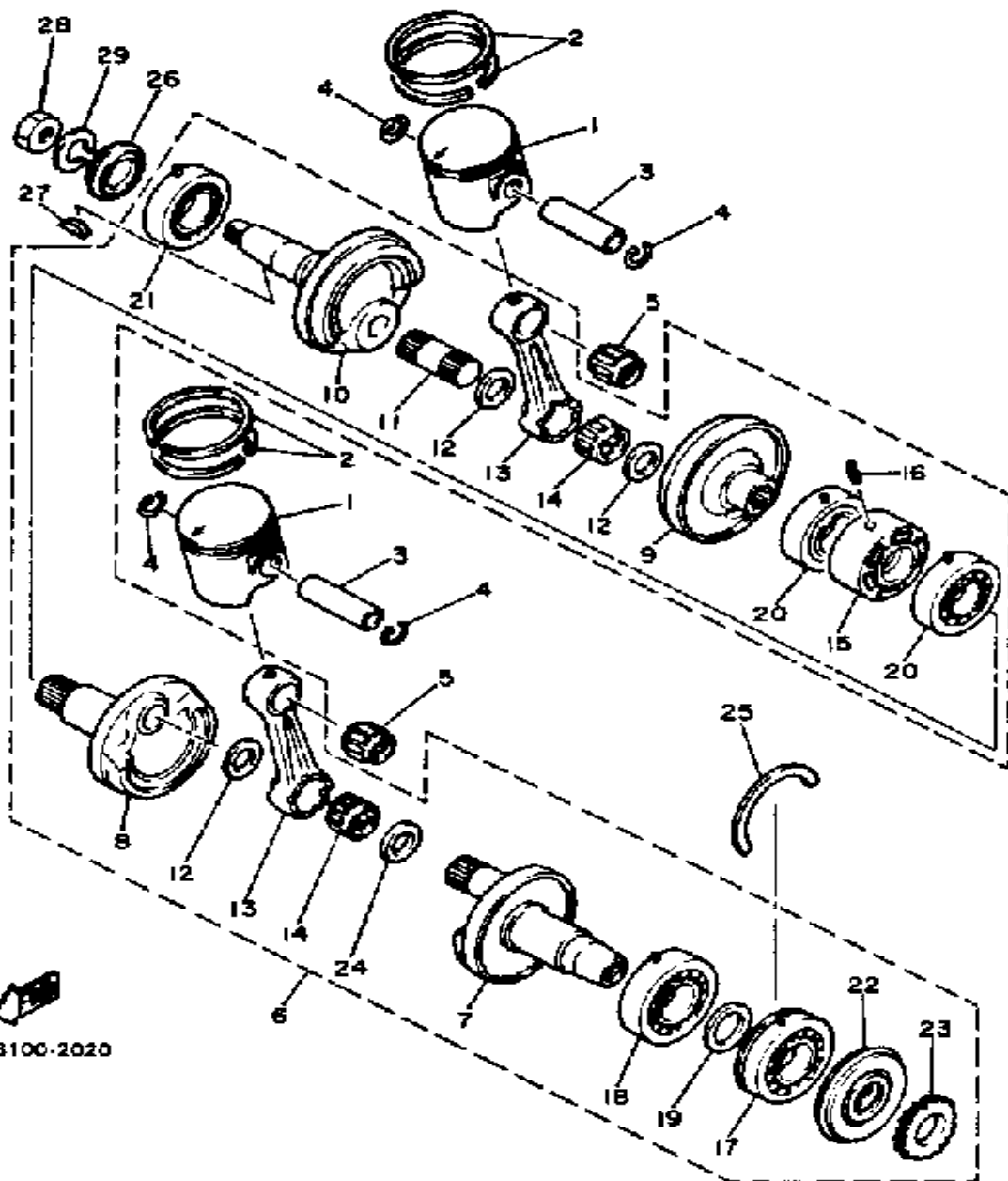
Ref. No.	Part Number	Description	Qty	Remarks
1	8R6-11631-00-95	PISTON (STD)	2	
	8R6-11635-00-00	PISTON (0.25MM O/S)	2	ALT. PART
	8R6-11636-00-00	PISTON (0.50MM O/S)	2	ALT. PART
2	8R6-11601-00-00	PISTON RING SET (STD)	2	
	8R6-11601-10-00	PISTON RING SET (0.25MM O/S)	2	ALT. PART
	8R6-11601-20-00	PISTON RING SET (0.50MM O/S)	2	ALT. PART
3	8H8-11633-00-00	PIN, PISTON	2	
4	93450-21053-00	CIRCLIP	4	
5	93310-320G0-00	BEARING	2	
6	8R6-11400-01-00	CRANKSHAFT ASSEMBLY	1	
7	8R6-11412-00-00	. CRANK 1	1	
8	8R6-11422-00-00	. CRANK 2	1	
9	8R6-11432-01-00	. CRANK 3	1	
10	8H8-11422-00-00	. CRANK 2	1	
11	8H0-11681-00-00	. PIN, CRANK 1	1	
12	90209-24073-00	. WASHER, SPEC'L SHAP	3	
13	8R6-11651-00-00	. ROD, CONNECTING	2	
14	93310-524K4-00	. BEARING	2	
15	8H8-11515-00-00	. SEAL, LABYRINTH 1	1	
16	91609-30010-00	. PIN, SPRING	1	
17	93306-30625-00	. BEARING	1	
18	93306-30625-00	. BEARING	1	
19	90201-34683-00	. WASHER, PLATE (90201-33299-00)	1	
20	93306-20617-00	. BEARING (B6206)	2	
21	93306-20617-00	. BEARING (B6206)	1	
22	93103-32095-00	. OIL SEAL	1	
23	8K2-13178-00-00	. GEAR, PUMP DRIVE	1	

CONTINUED ON NEXT FRAME ►

Not For Resale

www.SmallEngineDiscount.com

# CRANKSHAFT-PISTON SR540F



BR6100-2020

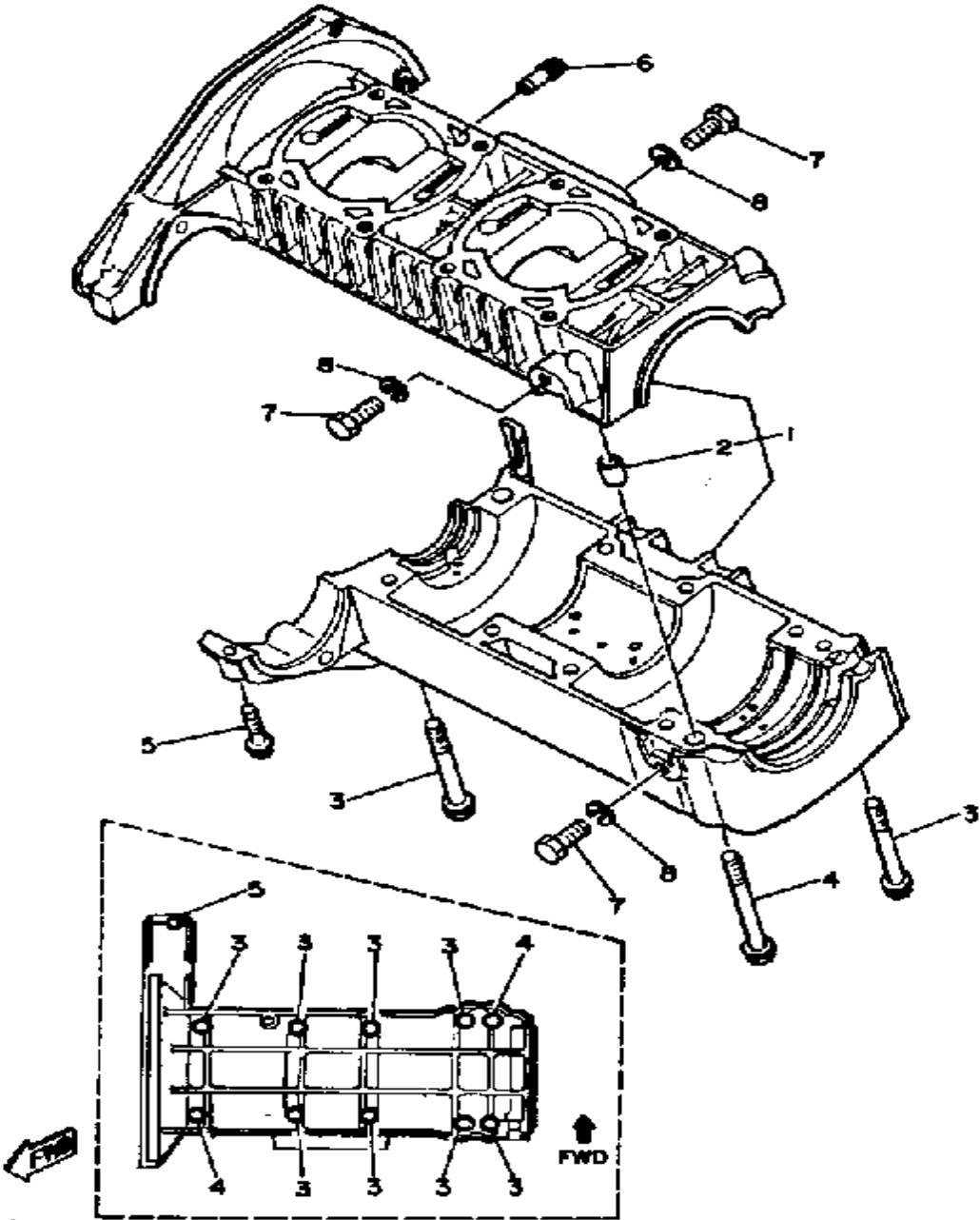
Ref. No.	Part Number	Description	Qty	Remarks
24	8A7-11685-00-00	. WASHER, CRANK PIN . . . . .	1	
25	93440-78069-00	CIRCLIP . . . . .	1	
26	93103-32156-00	OIL SEAL . . . . .	1	
27	90280-05014-00	KEY, WOODRUFF . . . . .	1	
28	90170-16182-00	NUT, HEXAGON . . . . .	1	
29	92901-16100-00	WASHER, SPRING . . . . .	1	

Not For Resale

[www.SmallEngineDiscount.com](http://www.SmallEngineDiscount.com)

# CRANKSHAFT SR540D-E-F

Ref. No.	Part Number	Description	Qty	Remarks
1	8H8-15100-02-00	CRANKCASE ASSEMBLY	1	
2	99510-12016-00	PIN, DOWEL		
3	95811-08075-00	BOLT, FLANGE	8	
4	95811-08085-00	BOLT, FLANGE	2	
5	95811-06030-00	BOLT, FLANGE (95802-06030)	1	
6	J38-11116-00-00	JOINT, BREATHER	1	
7	97313-08020-00	BOLT, HEXAGON	6	
8	92990-08100-00	WASHER, SPRING	6	

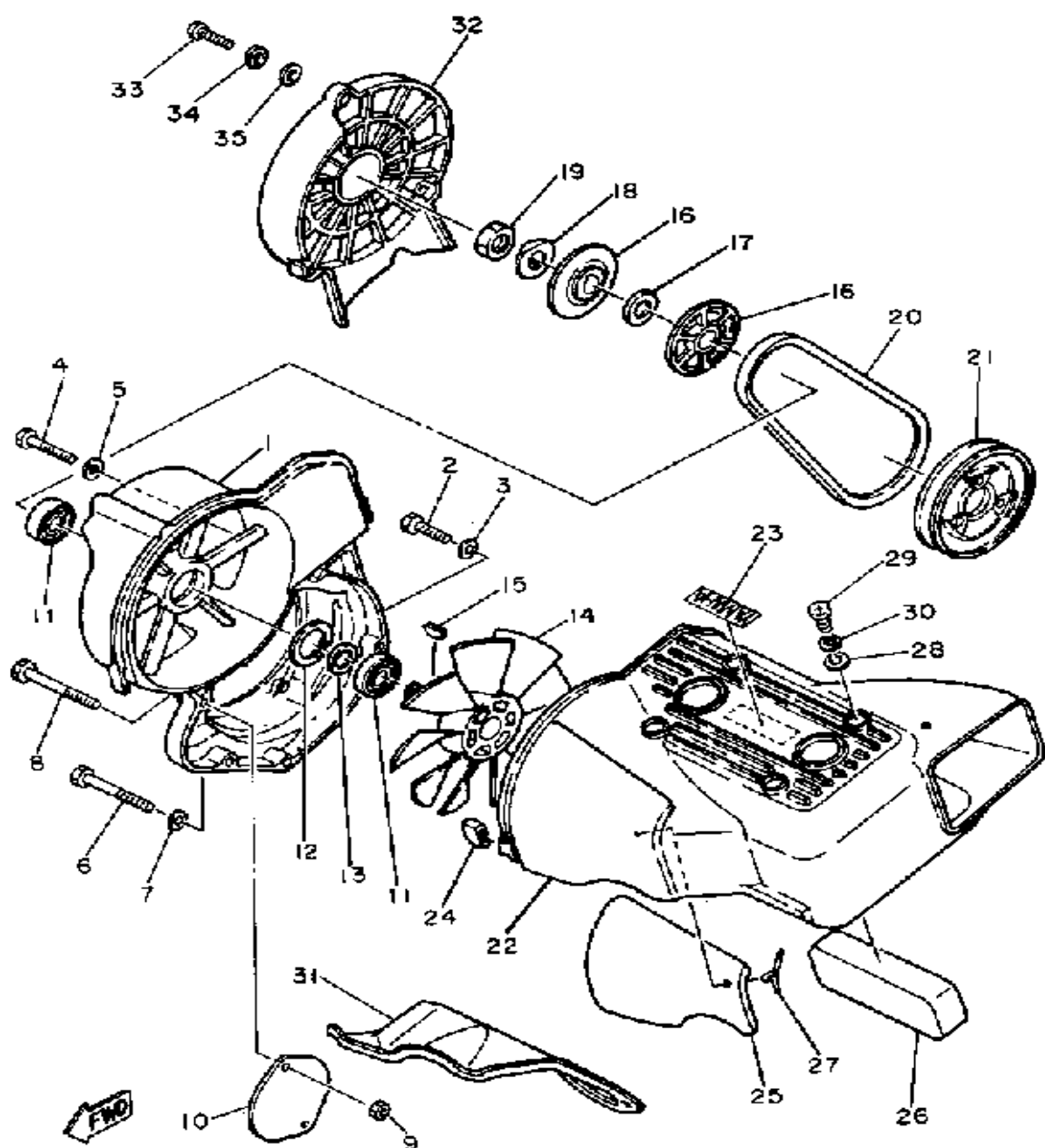


8LB100-1030

Not For Resale

[www.SmallEngineDiscount.com](http://www.SmallEngineDiscount.com)

# AIR SHROUD - FAN SR540D



Ref. No.	Part Number	Description	Qty	Remarks
1	88F-12621-01-00	CASE, FAN .....	1	
2	97313-08035-00	BOLT, HEXAGON .....	2	
3	92901-08600-00	WASHER, PLATE .....	2	
4	97313-08050-00	BOLT, HEXAGON .....	1	
5	92901-08600-00	WASHER, PLATE .....	1	
6	97013-08075-00	BOLT .....	1	
7	92901-08600-00	WASHER, PLATE .....	1	
8	97013-08075-00	BOLT .....	1	
9	95701-08500-00	NUT, FLANGE (95702-08500) ..	2	
10	8K4-12633-00-00	PLATE .....	1	
11	93306-20331-00	BEARING .....	2	
12	93420-40064-00	CIRCLIP, R-TYPE .....	1	
13	90201-17713-00	WASHER, PLATE .....	1	
14	99999-01134-00	FAN (8H8)MODIFIED .....	1	
15	90280-05014-00	KEY, WOODRUFF .....	1	
16	8H8-12619-01-00	PULLEY 2 .....	2	
17	90214-17017-00	WASHER, CLAW (0.5T) .....	1	
	90214-17018-00	WASHER, CLAW (1.0T) .....	1	
18	90215-16149-00	WASHER, LOCK .....	1	
19	90170-16239-00	NUT, HEXAGON .....	1	
20	8H8-12612-00-00	BELT .....	1	
21	8H8-12618-01-00	PULLEY 1 .....	1	
22	8H8-12651-02-00	AIR SHROUD, CYLINDER 1 ...	1	
23	8H8-12629-00-00	EMBLEM .....	1	
24	8H8-12658-00-00	DAMPER, AIR SHRD 1 .....	2	
25	8H8-12659-00-00	DAMPER, AIR SHROUD 2 ....	1	
26	8H8-12669-00-00	DAMPER, AIR SHROUD 4 ....	1	
27	91401-16030-00	PIN, COTTER .....	3	
28	90201-06059-00	WASHER, PLATE .....	4	

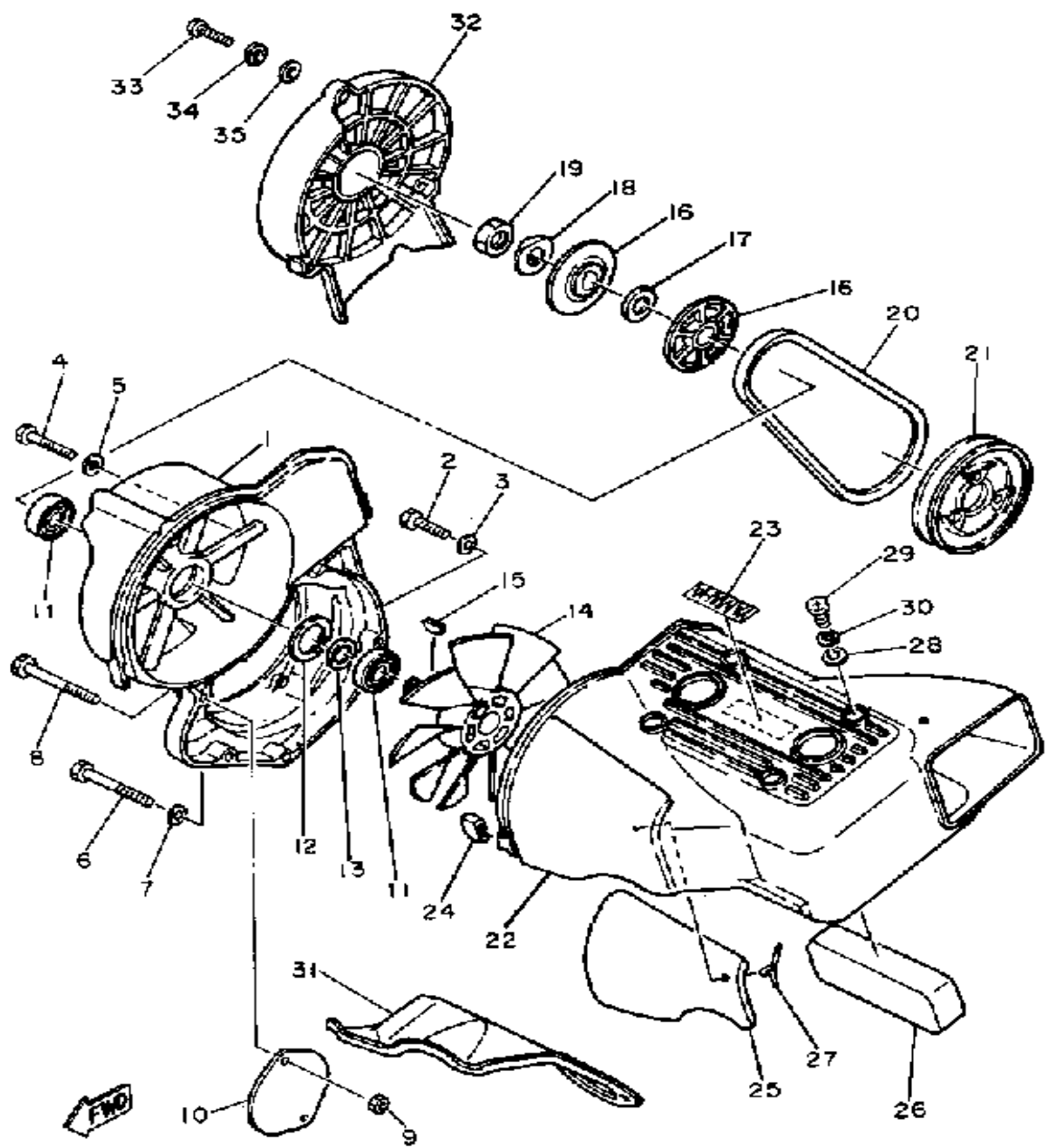
CONTINUED ON NEXT FRAME ►

Not For Resale

www.SmallEngineDiscount.com



# AIR SHROUD - FAN SR540D

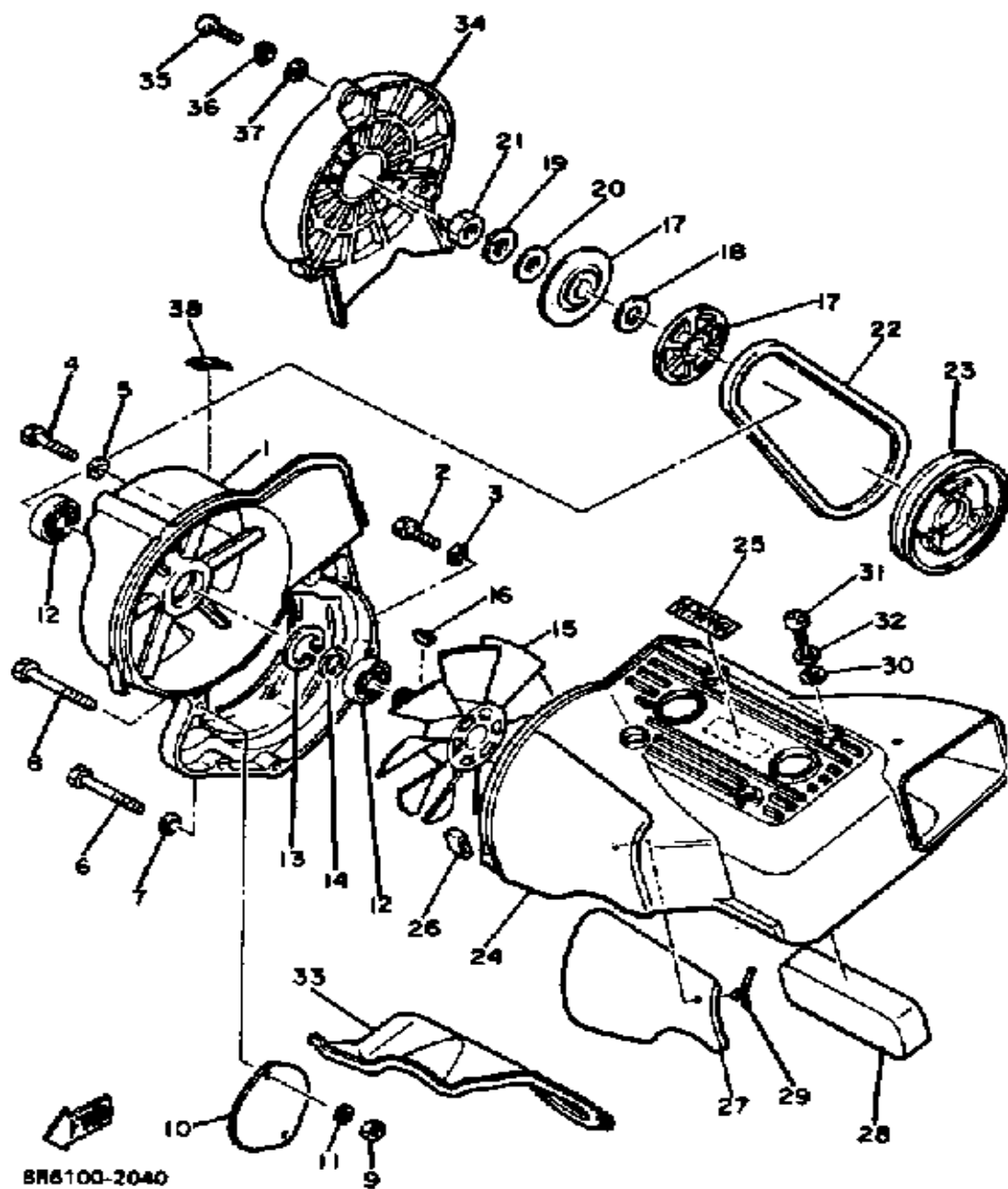


Ref. No.	Part Number	Description	Qty	Remarks
29	98906-06016-00	SCREW, BIND .....	4	
30	92906-06100-00	WASHER, SPRING .....	4	
31	8H8-12652-00-00	AIR SHROUD, CYLINDER 2 ...	1	
32	8L0-12616-00-00	COVER, FAN CASE .....	1	
33	98506-06025-00	SCREW, PAN HEAD .....	3	
34	92906-06100-00	WASHER, SPRING .....	3	
35	90201-062A8-00	WASHER, PLATE .....	3	

Not For Resale

[www.SmallEngineDiscount.com](http://www.SmallEngineDiscount.com)

# AIR SHROUD - FAN SR540E-F



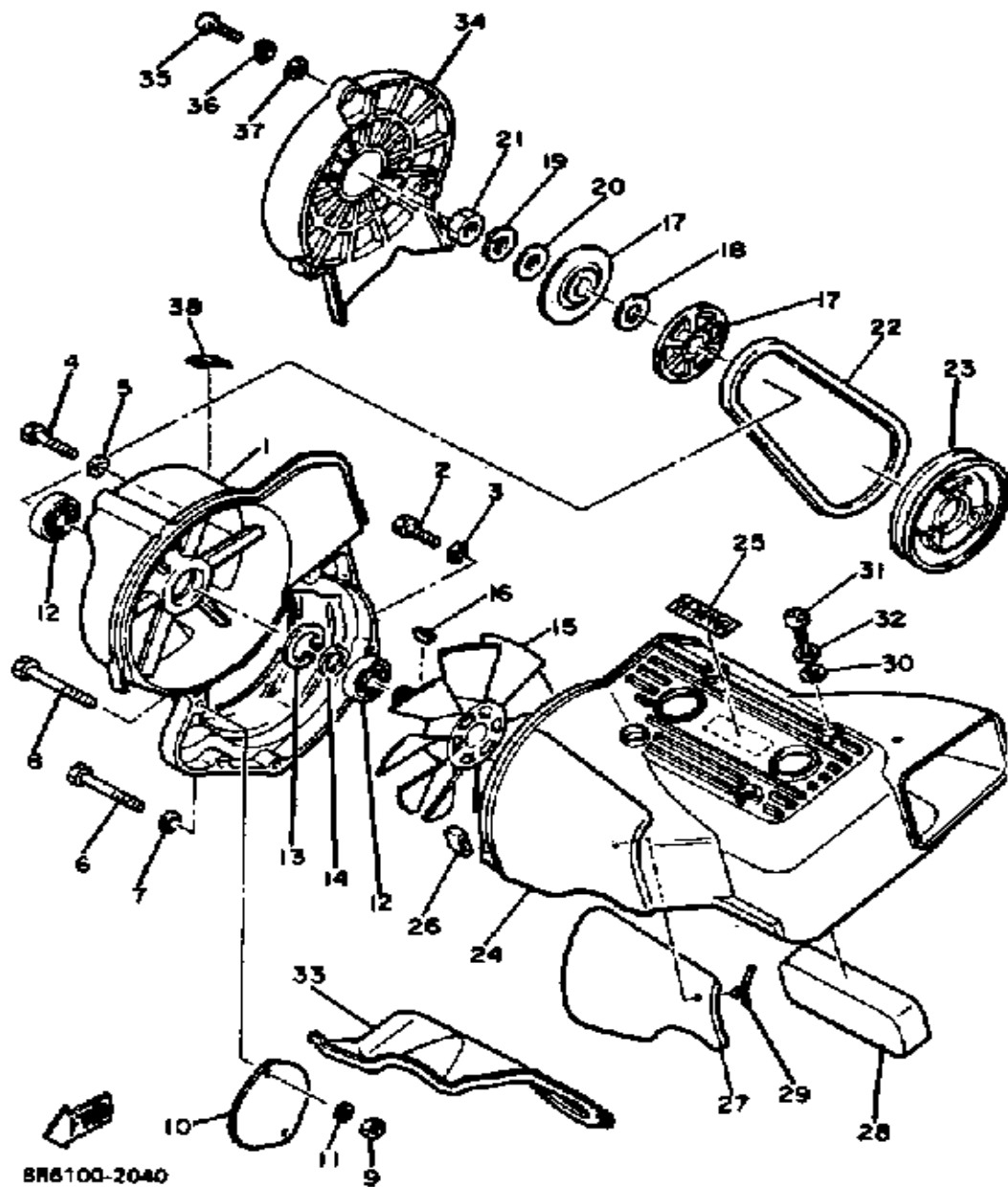
Ref. No.	Part Number	Description	Qty	Remarks
1	88F-12621-01-00	CASE, FAN	1	
2	97313-08035-00	BOLT, HEXAGON	2	
3	92901-08600-00	WASHER, PLATE	2	
4	97313-08050-00	BOLT, HEXAGON	1	
5	92901-08600-00	WASHER, PLATE	1	
6	97013-08075-00	BOLT	1	
7	92901-08600-00	WASHER, PLATE	1	
8	97013-08075-00	BOLT	1	
9	95333-08600-00	NUT	2	
10	8K4-12633-00-00	PLATE	1	
11	92990-08100-00	WASHER, SPRING	2	
12	93306-20315-00	BEARING (B6203)	2	
13	93420-40064-00	CIRCLIP, R-TYPE	1	
14	90201-17713-00	WASHER, PLATE	1	
15	8H8-12611-01-00	FAN	1	
16	90280-05014-00	KEY, WOODRUFF	1	
17	8H8-12619-01-00	PULLEY 2	2	
18	90214-17017-00	WASHER, CLAW (0.5T)	1	
	90214-17018-00	WASHER, CLAW (1.0T)	1	
19	92901-16100-00	WASHER, SPRING	1	
20	90201-17713-00	WASHER, PLATE	1	
21	90170-16182-00	NUT, HEXAGON	1	
22	8H8-12612-00-00	BELT	1	
23	8H8-12618-01-00	PULLEY 1	1	
24	8H8-12651-02-00	AIR SHROUD, CYLINDER 1	1	
25	8H8-12629-00-00	EMBLEM	1	
26	8H8-12658-00-00	DAMPER, AIR SHRD 1	1	
27	8H8-12659-00-00	DAMPER, AIR SHROUD 2	1	
28	8H8-12669-00-00	DAMPER, AIR SHROUD 4	1	

CONTINUED ON NEXT FRAME ►

Not For Resale

www.SmallEngineDiscount.com

# AIR SHROUD - FAN SR540E-F

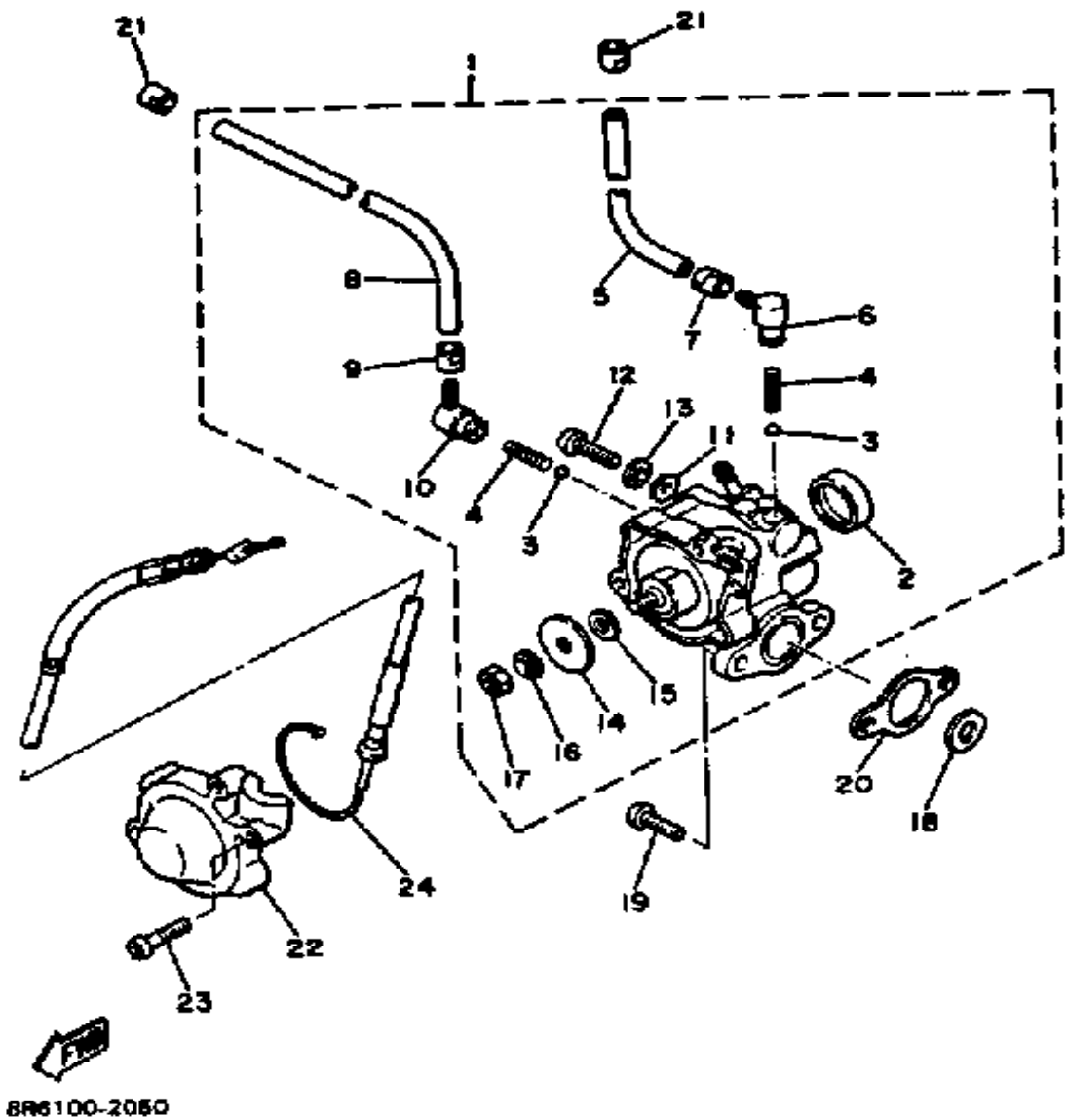


Ref. No.	Part Number	Description	Qty	Remarks
29	91401-16030-00	PIN, COTTER .....	3	
30	90201-06059-00	WASHER, PLATE .....	4	
31	98906-06016-00	SCREW, BIND .....	4	
32	92906-06100-00	WASHER, SPRING .....	4	
33	8H8-12652-00-00	AIR SHROUD, CYLINDER 2 ...	1	
34	8L0-12616-00-00	COVER, FAN CASE .....	1	
35	98506-06025-00	SCREW, PAN HEAD .....	3	
36	92906-06100-00	WASHER, SPRING .....	3	
37	90201-062A8-00	WASHER, PLATE .....	3	
38	8K4-12628-00-00	LABEL, CAUTION .....	1	

Not For Resale

[www.SmallEngineDiscount.com](http://www.SmallEngineDiscount.com)

# OIL PUMP SR540D-E-F



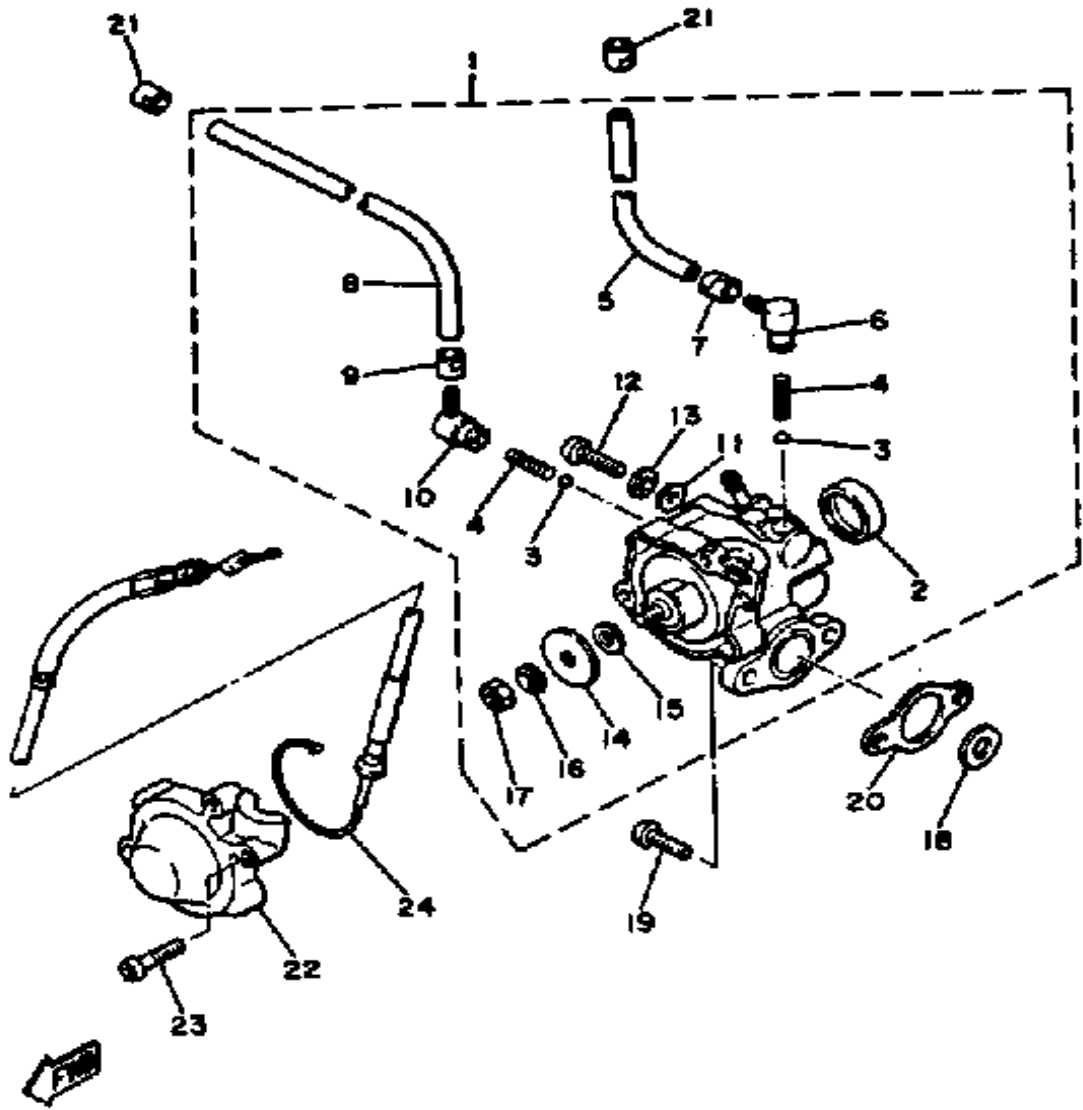
Ref. No.	Part Number	Description	Qty	Remarks
1	8L0-13101-00-00	OIL PUMP ASSEMBLY	1	
	8R6-13101-00-00	OIL PUMP ASSEMBLY	1	
2	90338-21100-00	. PLUG	1	
3	93501-08001-00	. BALL	2	
	93505-32002-00	. BALL	2	
4	90501-02018-00	SPRING, COMPRESSION	2	
5	90445-05350-00	. HOSE (3-100)	1	
6	353-13552-01-00	. NOZZLE	1	
7	90468-02033-00	. CLIP	1	
8	90445-05301-00	. HOSE (214-13161-01)	1	
9	90468-02033-00	. CLIP	1	
10	353-13552-01-00	. NOZZLE	1	
11	90430-04004-00	. GASKET	1	
12	90157-04009-00	. SCREW, PAN HEAD	1	
13	92901-04600-00	. WASHER, PLATE	1	
14	137-13138-01-00	. PLATE, ADJUSTING	1	
15	137-13137-00-03	. SHIM, PLUNGER (0.3T)	1	
	137-13137-00-05	. SHIM, PLUNGER (0.5T)	1	
	137-13137-00-10	. SHIM, PLUNGER (1.0T)	1	
16	92990-05100-00	. WASHER, SPRING	1	
17	95380-05600-00	. NUT	1	
18	90201-08624-00	WASHER, PLATE	1	
19	98580-05014-00	SCREW, PAN HEAD	2	
	98580-05016-00	SCREW, PAN HEAD	2	
20	3MT-13116-00-00	GASKET, PUMP CASE	1	
21	90468-02033-00	CLIP	2	
22	8A5-13146-01-00	COVER, AJST PULLEY	1	
23	98506-04018-00	SCREW, PAN HEAD	3	
24	8H8-26320-01-00	PUMP CABLE ASS'Y	1	

CONTINUED ON NEXT FRAME ►

Not For Resale

www.SmallEngineDiscount.com

# OIL PUMP SR540D-E-F



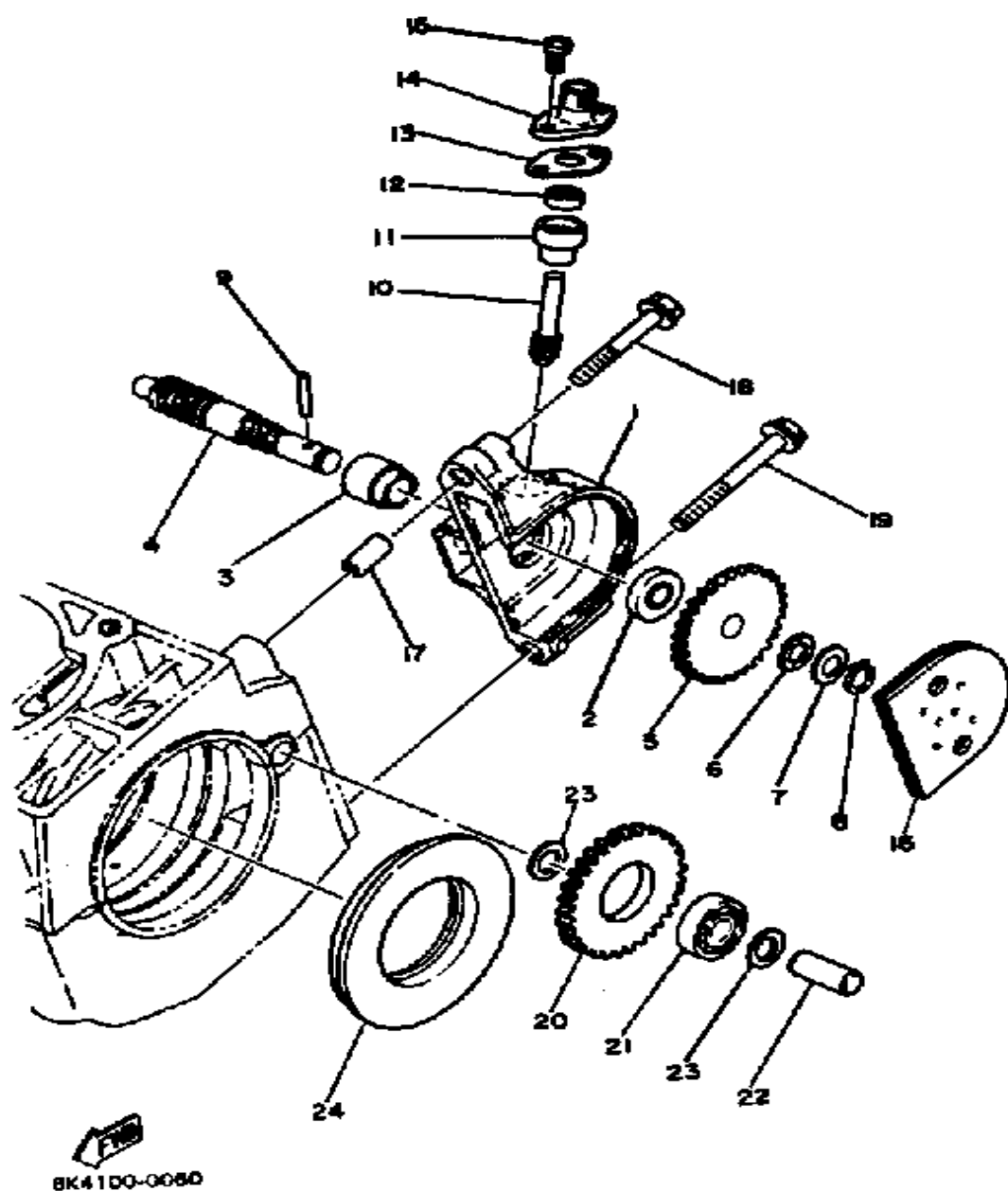
8R6100-2050

Ref. No.	Part Number	Description	Qty	Remarks
24	8L8-26320-02-00	PUMP CABLE ASSEMBLY . . . .	1	

Not For Resale

[www.SmallEngineDiscount.com](http://www.SmallEngineDiscount.com)

# PUMP DRIVE GEAR SR540D-E-F

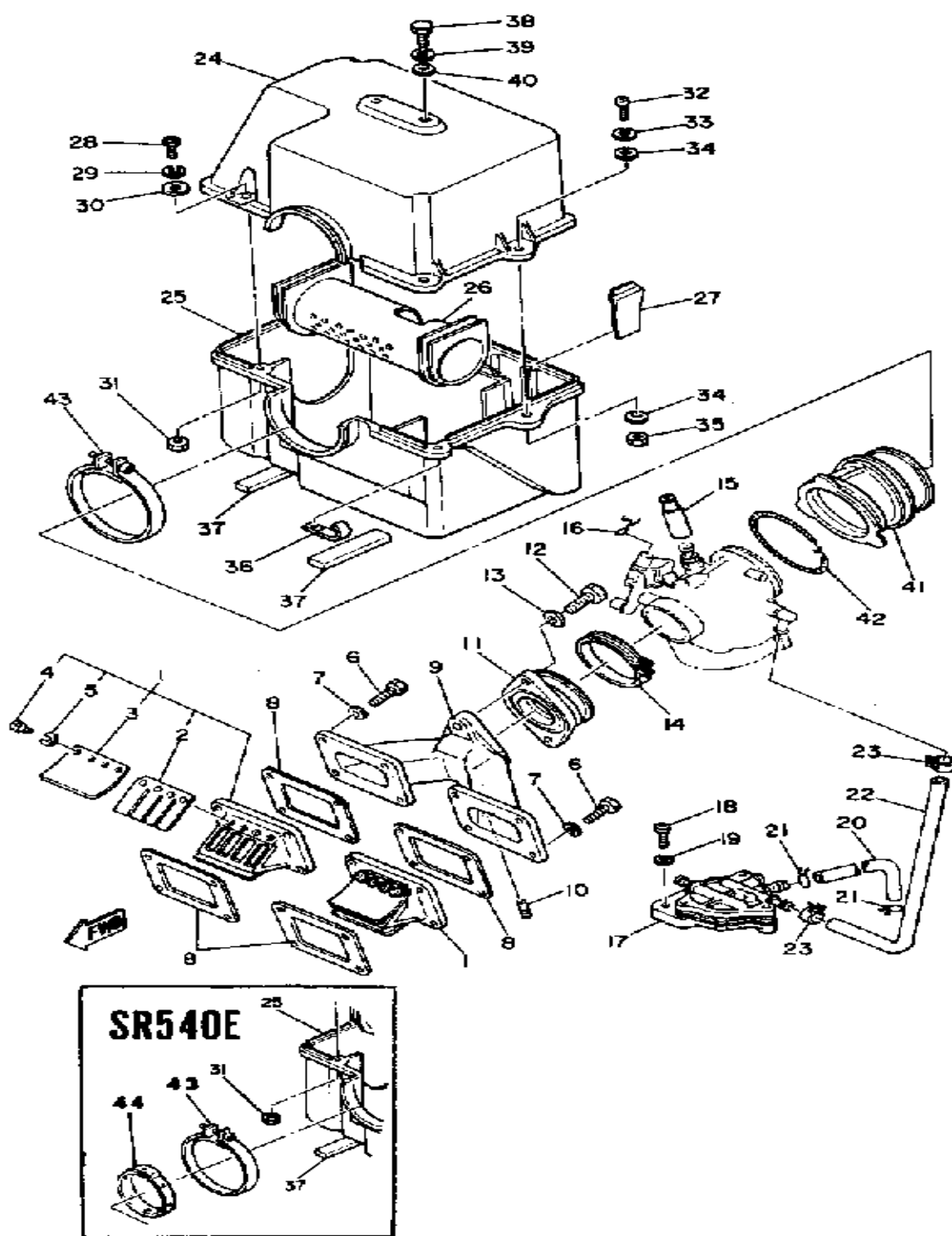


Ref. No.	Part Number	Description	Qty	Remarks
1	8H8-15416-00-00	COVER, OIL PUMP .....	1	
2	93101-10090-00	OIL SEAL .....	1	
3	821-13176-00-00	METAL, WORM SHAFT OUTER	1	
4	826-13175-00-00	SHAFT, WORM .....	1	
	860-13175-00-00	SHAFT, WORM .....	1	
5	821-13188-00-00	GEAR, DRIVE (32T) .....	1	
6	90206-11016-00	WASHER, WAVE .....	1	
7	137-13148-00-00	PLATE, CAM THRUST .....	1	
8	99009-10400-00	CIRCLIP .....	1	
9	93603-22028-00	PIN, DOWEL .....	1	
10	813-17841-00-00	GEAR, DRIVEN (10T) .....	1	
11	821-17843-00-00	BUSH, DRIVEN GEAR OUTER .	1	
12	93104-06033-00	OIL SEAL, SO-TYPE .....	1	
13	821-17818-02-00	GASKET .....	1	
14	821-17819-00-00	CAP, HOUSING .....	1	
15	98580-05010-00	SCREW, PAN HEAD .....	2	
16	8K4-15426-00-00	COVER, OIL PUMP 2 .....	1	
17	99510-08016-00	PIN, DOWEL .....	2	
18	95811-06040-00	BOLT, FLANGE .....	1	
19	95811-06055-00	BOLT, FLANGE (95802-06055) .	1	
20	8H8-13179-00-00	GEAR, IDLE (34T) .....	1	
21	93306-00002-00	BEARING (B6000RS) .....	1	
22	8G8-13342-00-00	SHAFT, IDLE GEAR .....	1	
23	90201-10119-00	WASHER, PLATE .....	2	
24	8K4-13119-00-00	SEAL, GREASE .....	1	

Not For Resale

[www.SmallEngineDiscount.com](http://www.SmallEngineDiscount.com)

# INTAKE SR540D-E



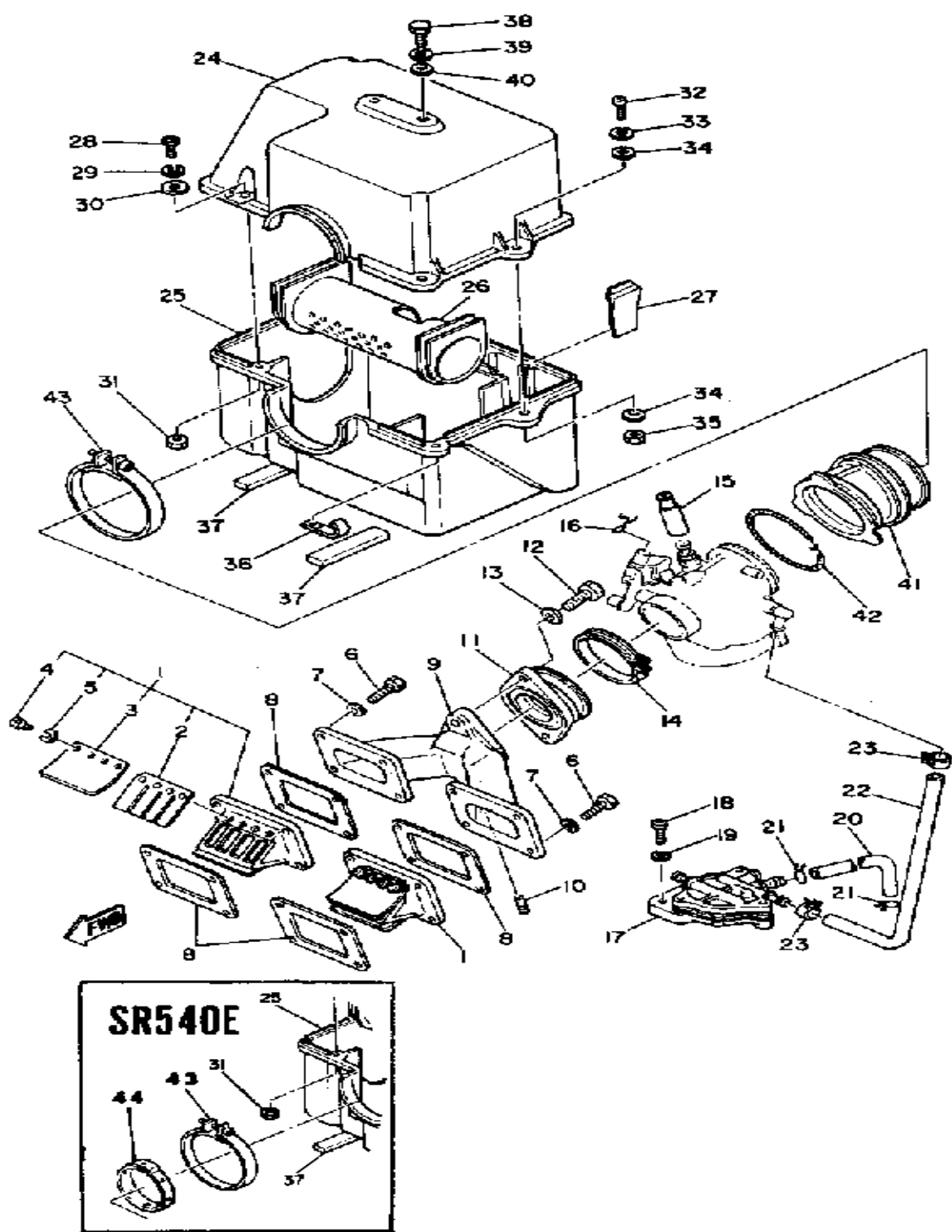
Ref. No.	Part Number	Description	Qty	Remarks
1	8AT-13610-00-00	REED VALVE ASSEMBLY	2	
2	8AT-13613-00-00	. REED, VALVE	4	
3	8H8-13616-00-00	. STOPPER, REED VALVE	4	
4	98580-03008-00	. SCREW, PAN HEAD (98501-03008-00)	16	
5	92990-03100-00	. WASHER, SPRING	16	
6	97011-06025-00	BOLT (97001-06025)	8	
7	92901-06600-00	WASHER	8	
8	8Y7-13556-01-00	GASKET, MANIFOLD	4	
9	8L0-13565-00-00	JOINT, CARBURETOR	1	
10	824-13552-00-00	NOZZLE	2	
11	8H8-13555-01-00	MANIFOLD, INTAKE	1	
12	97001-08025-00	BOLT (1NV)	2	
13	92901-08600-00	WASHER, PLATE	2	
14	90460-60084-00	CLAMP, HOSE	1	
15	8J5-26352-00-00	BOOT	1	
16	830-41222-00-00	CLAMP, THROTTLE	1	
17	8K4-24410-00-00	FUEL PUMP ASSEMBLY	1	
18	98580-06020-00	SCREW, PAN HEAD	2	
19	92995-06100-00	WASHER, SPRING	2	
20	90445-10140-00	HOSE	1	
	90445-10209-00	HOSE	1	
21	90467-09006-00	CLIP	2	
22	90446-11109-00	HOSE	1	
	90446-11290-00	HOSE	1	
23	90467-11028-00	CLIP	2	
24	8K4-14431-00-00	SILENCER, INTAKE 1	1	
25	8K4-14441-01-00	SILENCER, INTAKE 2	1	
26	8L0-14466-00-00	PIPE	1	

CONTINUED ON NEXT FRAME ►

Not For Resale

www.SmallEngineDiscount.com

# INTAKE SR540D-E



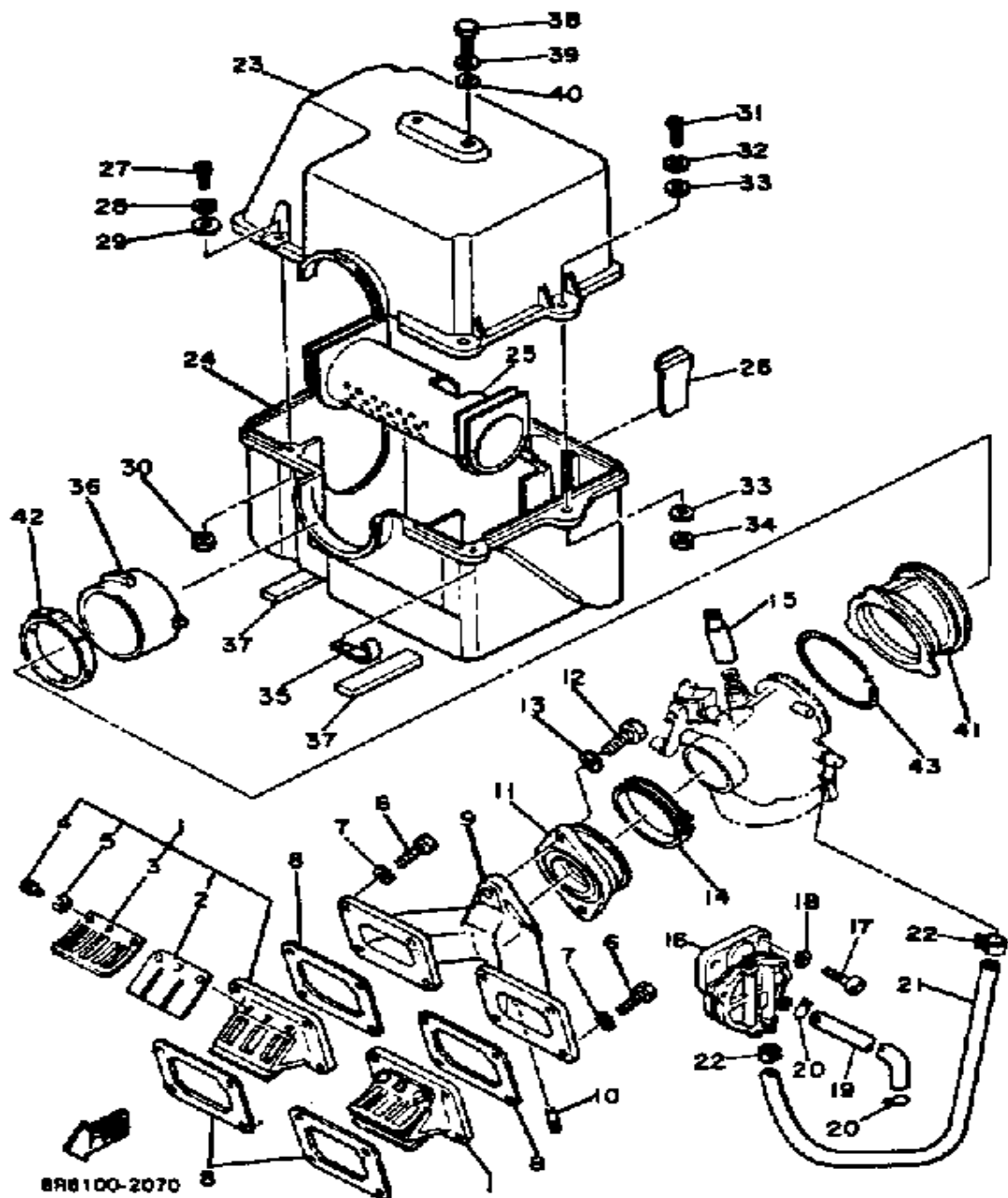
Ref. No.	Part Number	Description	Qty	Remarks
27	8K4-14477-00-00	PLATE .....	2	
28	98580-05016-00	SCREW, PAN HEAD .....	3	
29	92990-05100-00	WASHER, SPRING .....	3	
30	92901-05600-00	WASHER, PLATE .....	3	
31	95311-05700-00	NUT .....	3	
32	98511-06025-00	SCREW PAN HEAD .....	2	
33	92995-06100-00	WASHER, SPRING .....	2	
34	92990-06200-00	WASHER, PLAIN .....	4	
35	95380-06600-00	NUT, HEXAGON .....	2	
36	90462-06058-00	CLAMP .....	1	
37	8K4-14425-00-00	DAMPER 1 .....	2	
38	97313-06016-00	BOLT .....	2	
39	92995-06100-00	WASHER, SPRING .....	2	
40	90201-062A8-00	WASHER, PLATE .....	2	
41	(8L0-14453-01-00)	JOINT, AIR CLNR 1 .....	1	
	8L0-14453-00-00	JOINT, AIR CLNR 1 .....	1	
42	90506-06083-00	SPRING, TENSION .....	1	
43	90460-75020-00	CLAMP, HOSE .....	1	
44	8L8-14455-00-00	BAND .....	1	

Not For Resale



# INTAKE SR540F

Ref. No.	Part Number	Description	Qty	Remarks
1	3R5-13610-00-00	REED VALVE ASSEMBLY	2	
2	3R5-13613-00-00	. REED, VALVE	2	
3	2X5-13616-00-00	. STOPPER, REED VALVE	4	
4	98580-03008-00	. SCREW, PAN HEAD (98501-03008-00)	12	
5	92990-03100-00	. WASHER, SPRING	12	
6	97011-06025-00	BOLT (97001-06025)	8	
7	92901-06600-00	WASHER	8	
8	80L-13621-01-00	GASKET, VALVE SEAT	4	
9	8R6-13565-00-00	JOINT, CARBURETOR	1	
10	824-13552-00-00	NOZZLE	2	
11	8H8-13555-01-00	MANIFOLD, INTAKE	1	
12	97001-08025-00	BOLT (1NV)	2	
13	92901-08600-00	WASHER, PLATE	2	
14	90460-60084-00	CLAMP, HOSE	1	
15	8J5-26352-00-00	BOOT	1	
16	8K4-24410-00-00	FUEL PUMP ASSEMBLY	1	
17	98580-06020-00	SCREW, PAN HEAD	2	
18	92995-06100-00	WASHER, SPRING	2	
19	90445-10140-00	HOSE	1	
20	90467-09006-00	CLIP	2	
21	90446-11290-00	HOSE	1	
22	90467-11028-00	CLIP	2	
23	8K4-14431-00-00	SILENCER, INTAKE 1	1	
24	8K4-14441-01-00	SILENCER, INTAKE 2	1	
25	8L0-14466-00-00	PIPE	1	
26	8K4-14477-00-00	PLATE	2	
27	98580-05016-00	SCREW, PAN HEAD	3	
28	92990-05100-00	WASHER, SPRING	3	



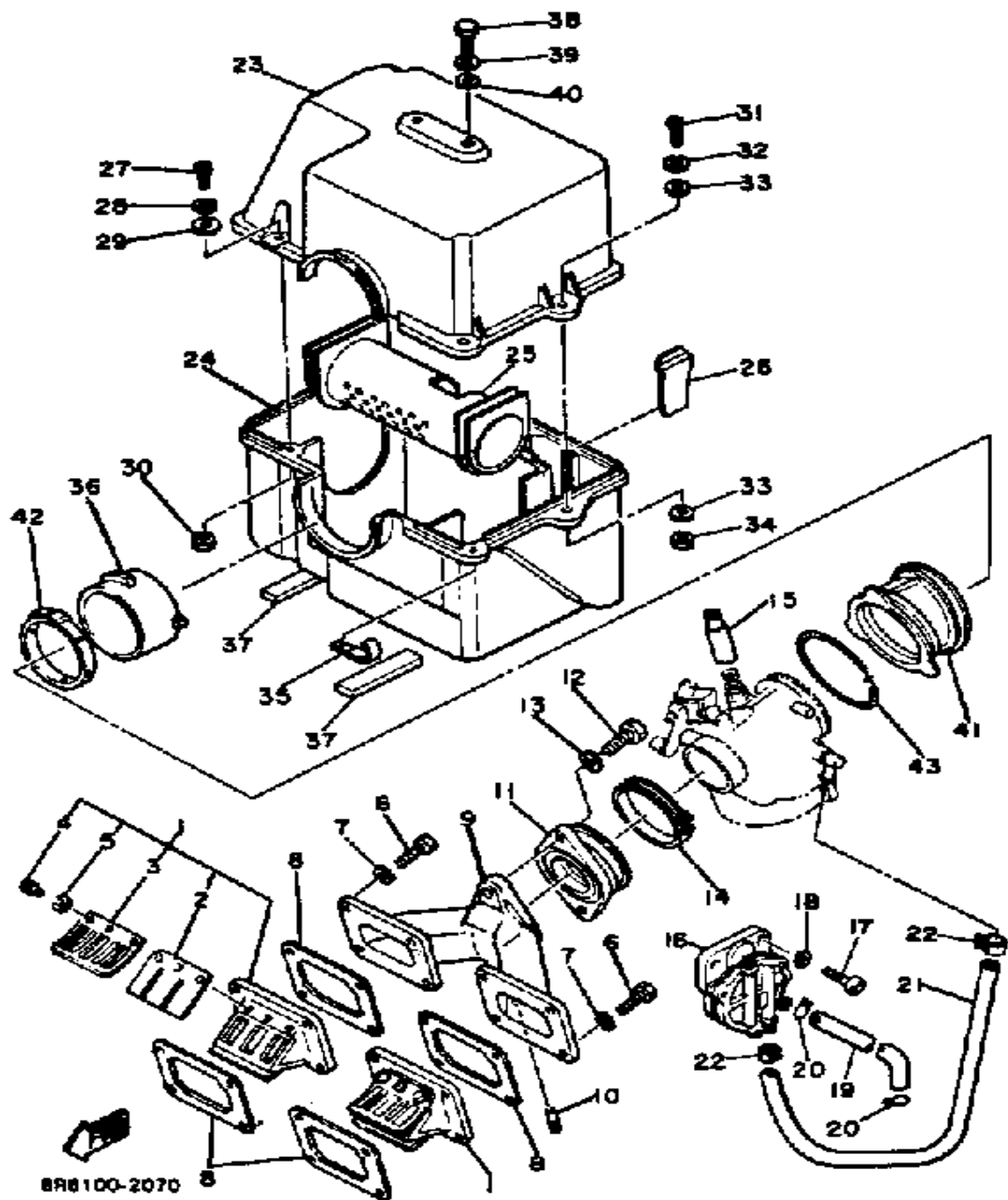
CONTINUED ON NEXT FRAME ►

Not For Resale

www.SmallEngineDiscount.com

# INTAKE SR540F

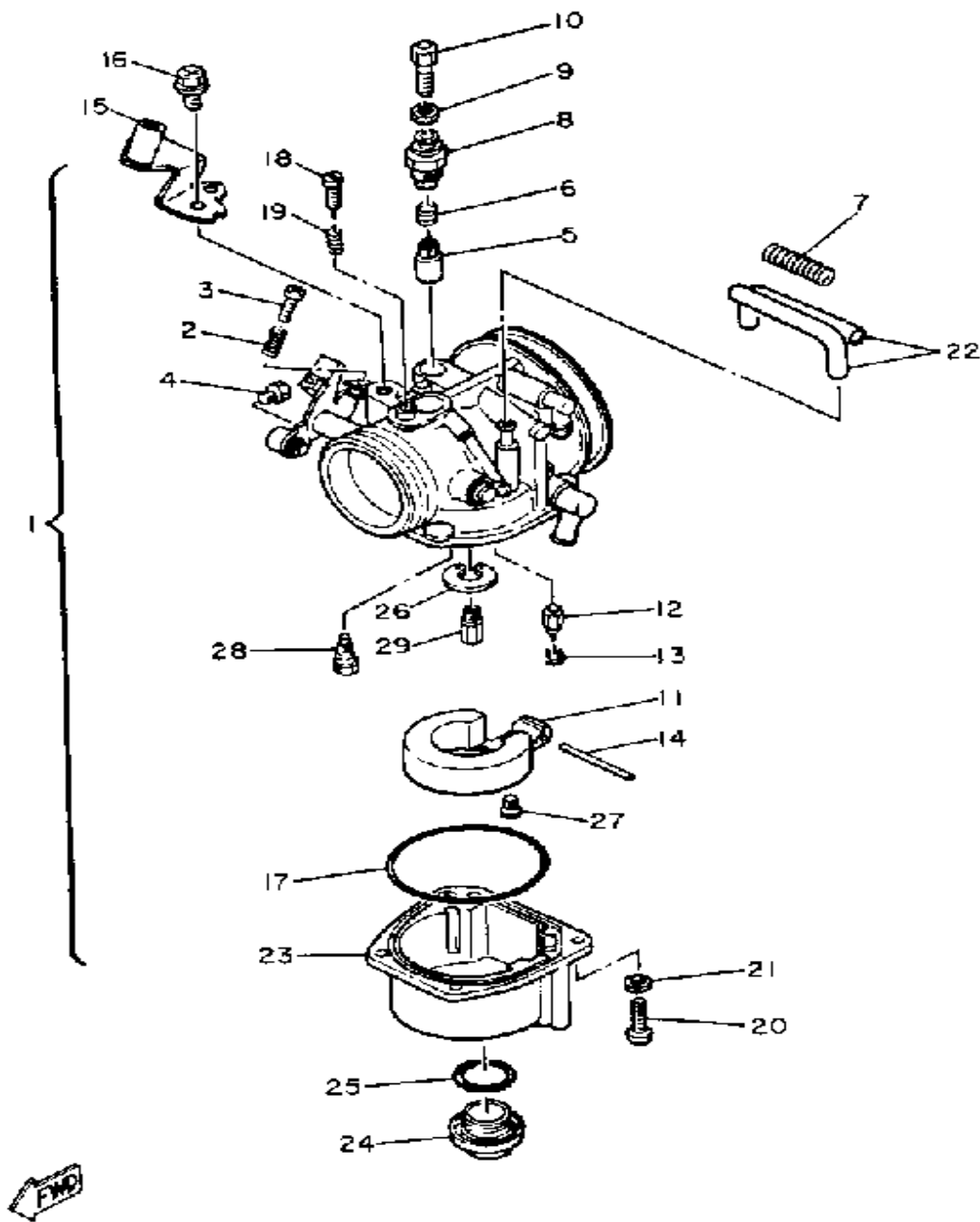
Ref. No.	Part Number	Description	Qty	Remarks
29	92901-05600-00	WASHER, PLATE .....	3	
30	95311-05700-00	NUT .....	3	
31	98511-06025-00	SCREW PAN HEAD .....	2	
32	92995-06100-00	WASHER, SPRING .....	2	
33	92990-06200-00	WASHER, PLAIN .....	4	
34	95380-06600-00	NUT, HEXAGON .....	2	
35	90462-06058-00	CLAMP .....	1	
36	8N8-14465-00-00	PIPE .....	1	
37	8K4-14425-00-00	DAMPER 1 .....	2	
38	97313-06016-00	BOLT .....	2	
39	92995-06100-00	WASHER, SPRING .....	2	
40	90201-062A8-00	WASHER, PLATE .....	2	
41	8N8-14453-01-00	JOINT, AIR CLEANER 1 .....	1	
42	90506-06083-00	SPRING, TENSION .....	1	
43	90460-75020-00	CLAMP, HOSE .....	1	



Not For Resale

[www.SmallEngineDiscount.com](http://www.SmallEngineDiscount.com)

# CARBURETOR SR540D-E-F



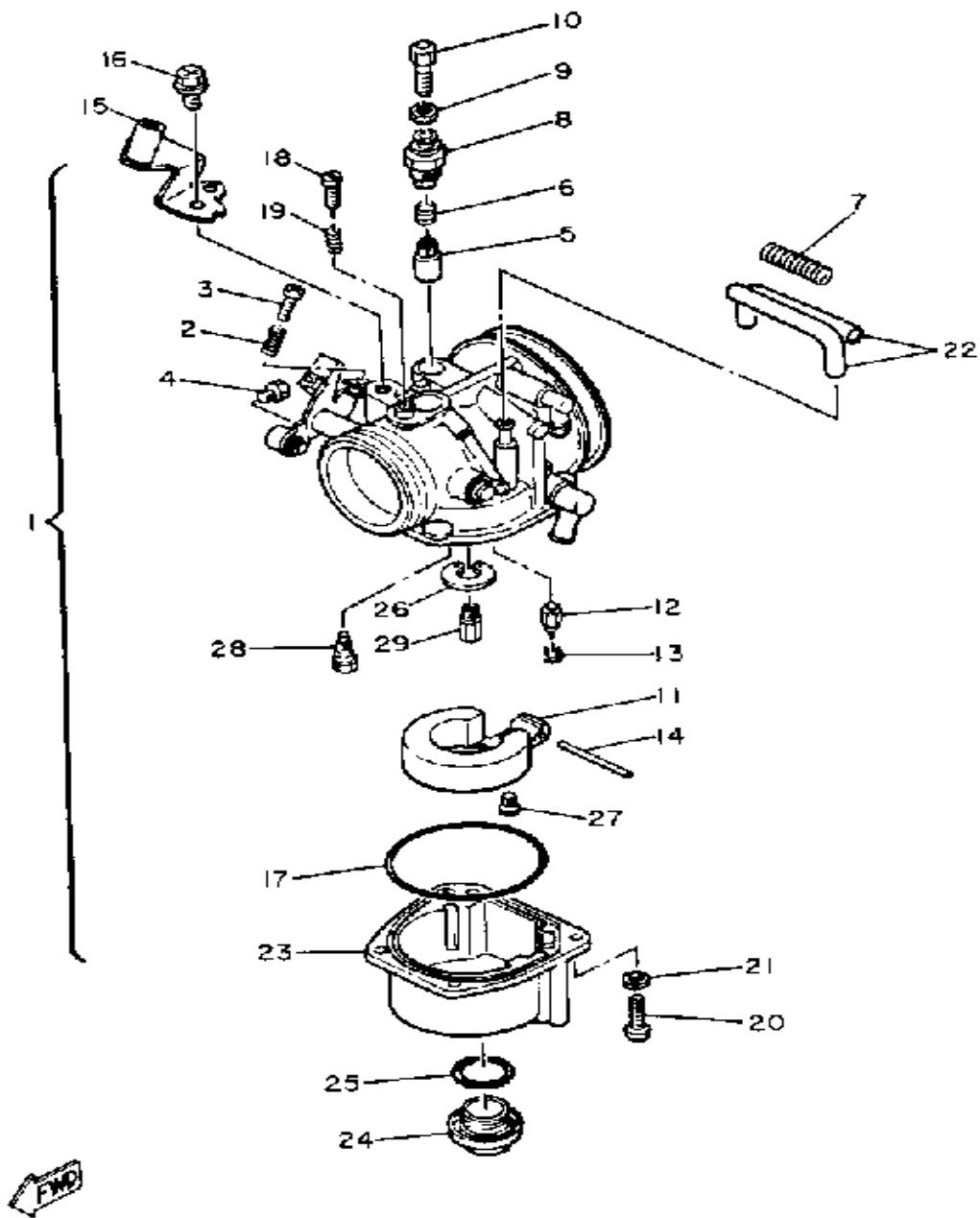
Ref. No.	Part Number	Description	Qty	Remarks
1	(8L0-14101-00-00)	CARBURETOR ASSEMBLY 1	1	
	8L9-14101-00-00	CARBURETOR ASSEMBLY 1	1	
	8R6-14101-01-00	CARBURETOR ASSEMBLY 1	1	
2	90501-12229-00	. SPRING, COMPRESSION	1	
3	90157-04010-00	. SCREW, PAN HEAD	1	
4	(8F3-14591-00-00)	SCREW	1	
	98580-04008-00	. SCREW, PAN HEAD	1	
5	371-14993-60-00	. PLUNGER, STARTER	1	
6	90501-08443-00	. SPRING, COMPRESSION	1	
7	90501-08535-00	. SPRING, COMPRESSION	1	
8	8A6-14969-00-00	. CAP	1	
9	8E7-14161-00-00	. NUT, CABLE ADJUSTING	1	
10	8A6-14977-00-00	. SHAFT, STARTER LEVER	1	
11	8G6-14985-01-00	. FLOAT	1	
12	8E7-14546-01-00	. VALVE, NEEDLE	1	
13	663-14159-00-00	. CLIP	1	
14	663-14548-00-00	. PIN, FLOAT ARM	1	
15	8G6-14572-00-00	. PLATE, STAY	1	
	8R6-14572-00-00	. PLATE, STAY	1	
16	8G6-14592-00-00	. SCREW	1	
17	8G6-14984-00-00	. GASKET, FLOAT CHAMBER	1	
18	8G6-14521-00-00	. SCREW, ADJUST	1	
19	90501-08214-00	. SPRING, COMPRESSION	1	
20	(97602-04114-00)	SCREW, PN/HD.W/WSHR	4	
21	92901-04100-00	. WASHER, SPRING	4	
22	8G6-14994-01-00	. NET, FILTER	2	
23	8K4-14980-00-00	. BODY, FLOAT CHAMBER	1	
24	8M7-14992-00-00	. ROD	1	
25	93210-19309-00	. O-RING	1	

CONTINUED ON NEXT FRAME ►

Not For Resale

www.SmallEngineDiscount.com

# CARBURETOR SR540D-E-F



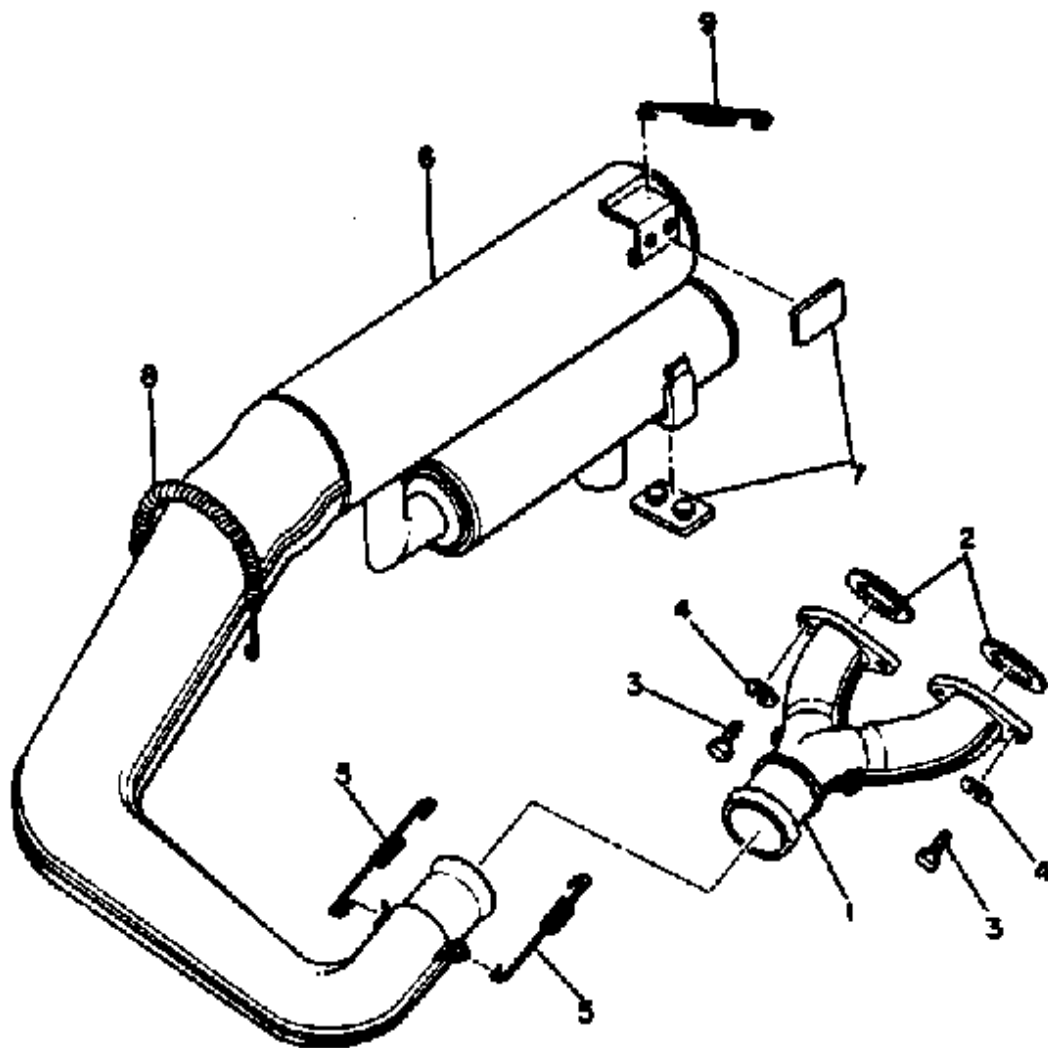
Ref. No.	Part Number	Description	Qty	Remarks
26	(8A5-14159-00-00)	CLIP .....	1	
27	98701-04008-00	. SCREW, FLAT HEAD .....	1	
28	8A6-14516-15-00	. JET, main (#115) .....	1	
	8A6-14516-20-00	. JET, MAIN #1 0 .....	1	
	8G6-14948-23-00	. JET # 0 .....	1	
29	8A6-14516-25-00	. JET, MAIN #1 5 .....	1	U.R.
	8A6-14516-30-00	. JET, MAIN #1 0 .....	1	U.R.
	8A6-14516-35-00	. JET, MAIN #1 5 .....	1	U.R.
	8A6-14516-40-00	. JET, MAIN #1 0 .....	1	U.R.
	8A6-14516-45-00	. JET, MAIN #1 5 .....	1	U.R.
	8A6-14516-50-00	. JET, MAIN #1 0 .....	1	U.R. STD
	8A6-14516-55-00	. JET, MAIN #1 5 .....	1	U.R.

Not For Resale

[www.SmallEngineDiscount.com](http://www.SmallEngineDiscount.com)

# EXHAUST SR540D-E-F

Ref. No.	Part Number	Description	Qty	Remarks
1	8H8-14610-00-00	EXHAUST PIPE ASSEMBLY L	1	
	8K4-14610-00-00	EXHAUST PIPE ASSEMBLY 1	1	
2	821-14613-01-00	GASKET, EXHAUST PIPE	2	
3	97313-08020-00	BOLT, HEXAGON	4	
4	92990-08100-00	WASHER, SPRING	4	
5	821-14773-00-00	SPRING, MUFFLER	2	
	90101-08263-00	BOLT	2	
6	8L0-14710-01-00	MUFFLER ASSEMBLY L	1	
7	8A5-14728-02-00	PROTECTOR, MUFFLER 2	2	
8	90506-14207-00	SPRING, TENSION	1	
9	90506-16212-00	SPRING, TENSION	1	

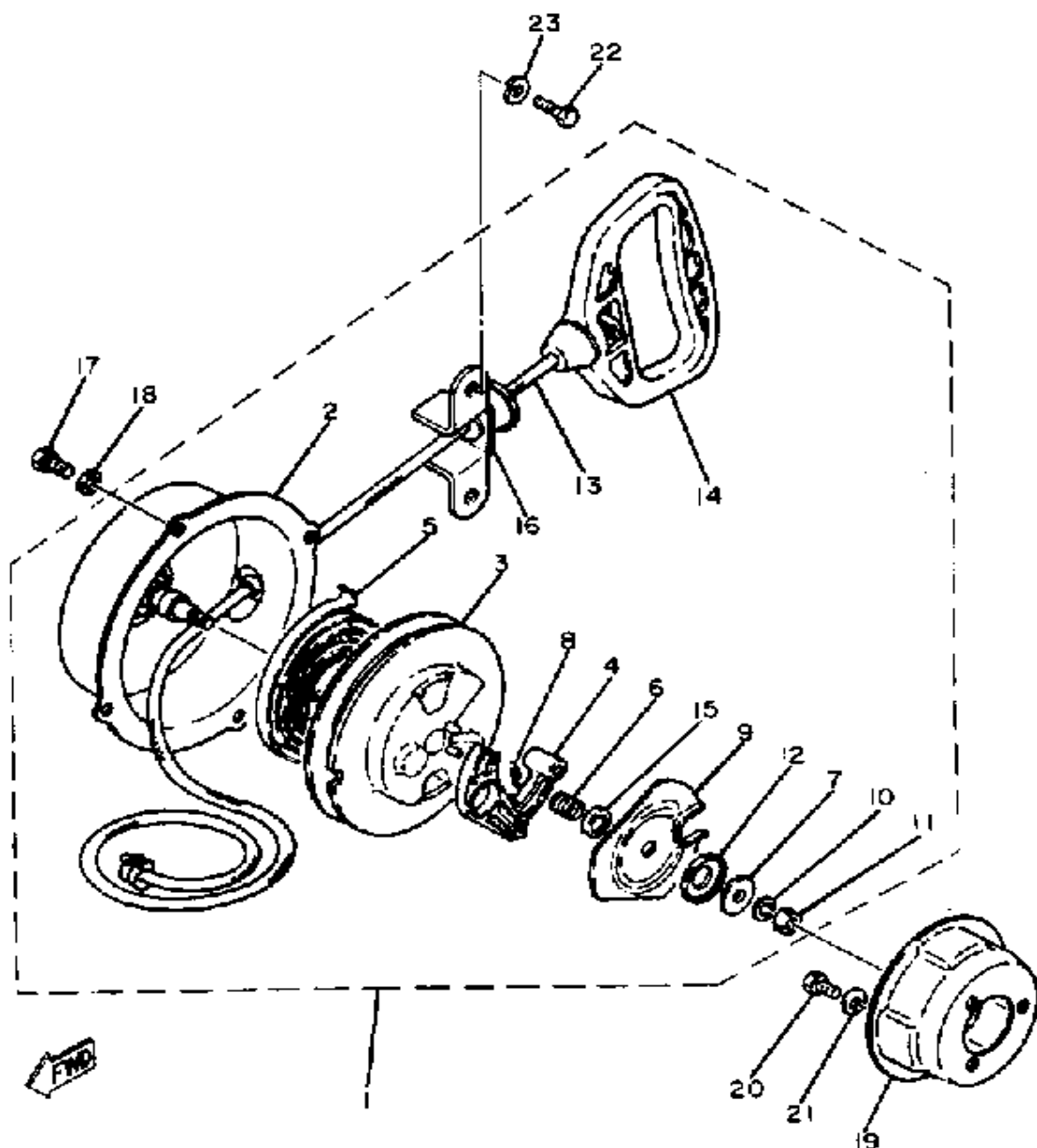


8K4100-0080

Not For Resale

[www.SmallEngineDiscount.com](http://www.SmallEngineDiscount.com)

# STARTER SR540D-E-F

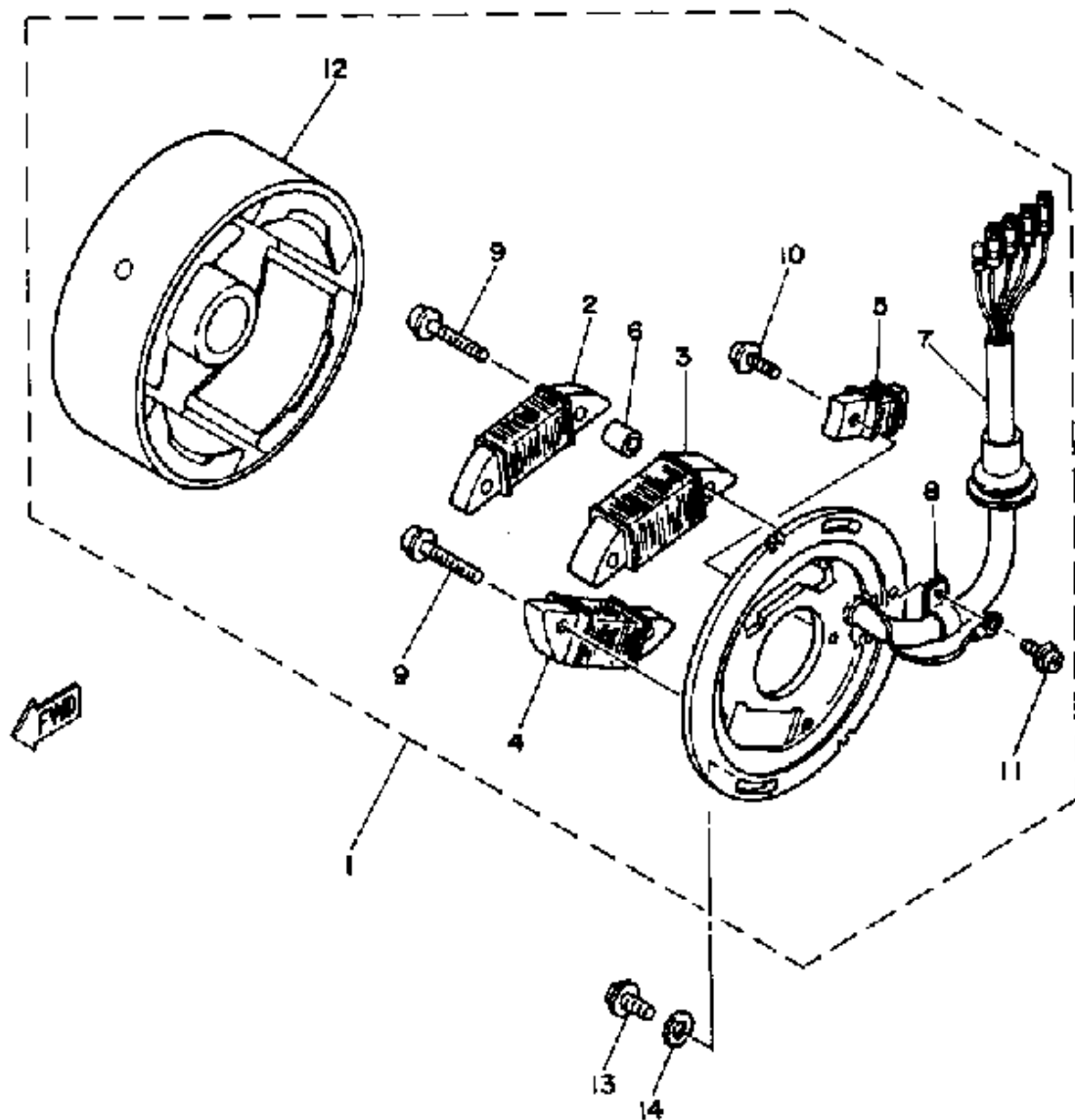


Ref. No.	Part Number	Description	Qty	Remarks
1	8K4-15710-00-00	STARTER ASSEMBLY	1	
2	8H8-15711-00-00	. CASE, STARTER	1	
3	8F3-15714-01-00	. DRUM, SHEAVE	1	
4	8F3-15741-01-00	. PAWL, DRIVE	1	
5	8Y0-15713-00-00	. SPRING, STARTER	1	
6	8F3-15715-00-00	. SPRING, FRICTION	1	
7	8F3-15739-01-00	. WASHER, THRUST	1	
8	8F3-15734-00-00	. SPRING, RETURN	1	
9	8F3-15716-03-00	. PLATE, DRIVE	1	
10	92995-06100-00	. WASHER, SPRING	1	
11	95380-06700-00	. NUT	1	
12	8G5-15739-00-00	. WASHER, THRUST	1	
13	857-15751-00-00	. ROPE, STARTER	1	
14	8F3-15755-00-00	. HANDLE, STARTER	1	
15	82M-15779-00-00	. COVER	1	
16	8K4-15788-00-00	. HOLDER, HANDLE	1	
17	97026-06014-00	BOLT	4	
18	92906-06100-00	WASHER, SPRING	4	
19	8H8-15723-01-00	PULLEY, STARTER	1	
20	97313-08020-00	BOLT, HEXAGON	3	
21	92990-08100-00	WASHER, SPRING	3	
22	97026-06012-00	BOLT	2	
23	92906-06100-00	WASHER, SPRING	2	

Not For Resale

www.SmallEngineDiscount.com

## C - D - I - MAGNETO SR540D

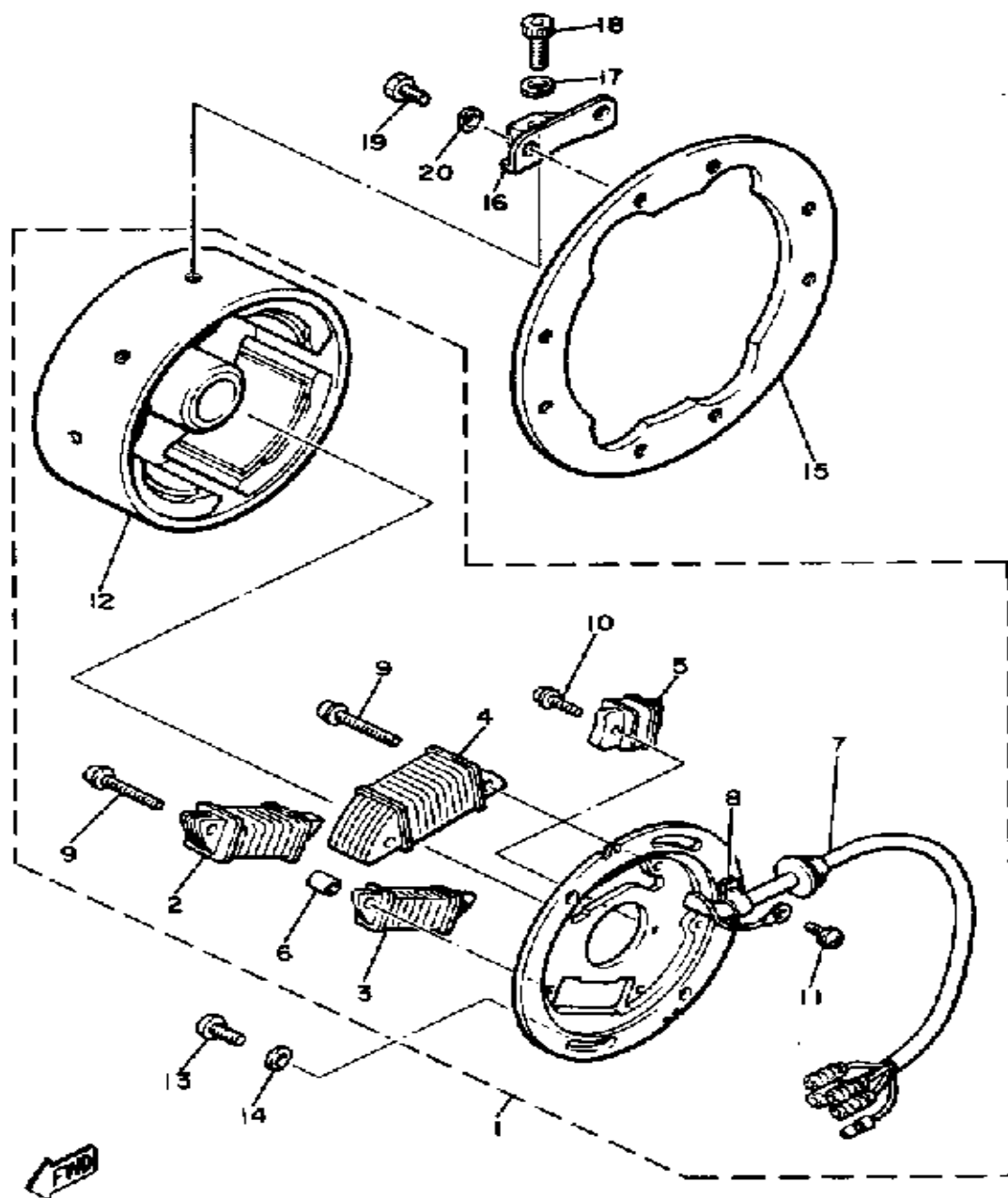


Ref. No.	Part Number	Description	Qty	Remarks
1	8L0-85500-20-00	CDI MAGNETO ASSEMBLY ...	1	
2	8H4-85511-20-00	. COIL SOURCE 1 .....	1	
3	8H5-85541-20-00	. COIL, CHARGE .....	1	
4	8G8-85513-20-00	. COIL, LIGHTING 1 .....	1	
5	8H4-85580-20-00	. COIL, PULSER (8G8-85580-20)	1	
6	8G8-85519-20-00	. SPACER .....	2	
7	8G8-85515-20-00	. LEAD WIRE ASSEMBLY ....	1	
8	104-81328-20-00	. CLAMP .....	1	
9	98501-05035-00	. SCREW, PAN HEAD .....	4	
10	(8J5-81346-20-00)	SCREW, PAN HEAD .....	2	
11	(8J5-81347-20-00)	SCREW, PAN HEAD .....	1	
12	8L0-85500-20-00	. CDI MAGNETO ASSEMBLY ..	1	
13	98903-06014-00	SCREW, BIND .....	2	
14	90201-06043-00	WASHER, PLATE .....	2	

Not For Resale

[www.SmallEngineDiscount.com](http://www.SmallEngineDiscount.com)

# C - D - I - MAGNETO SR540E



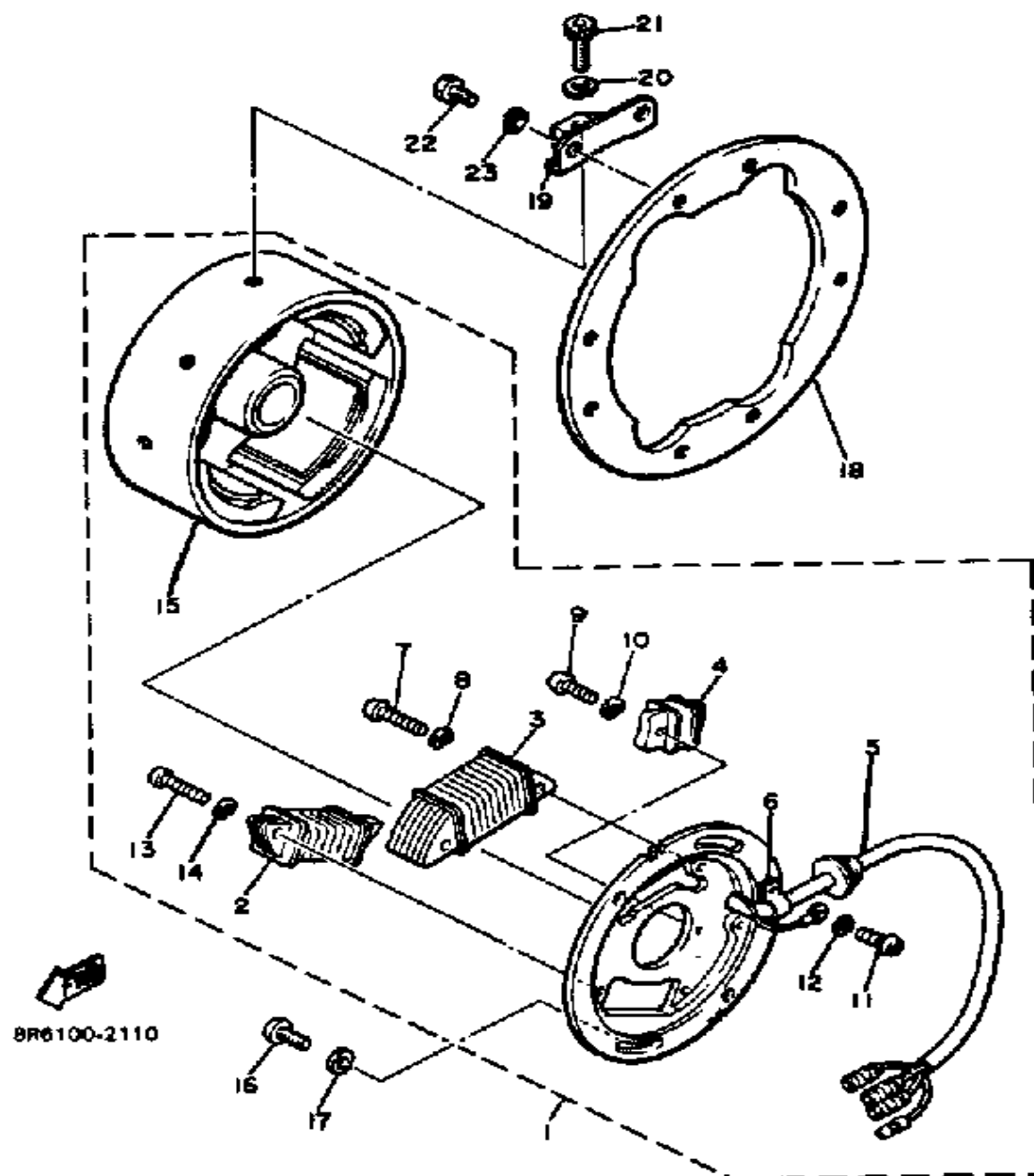
Ref. No.	Part Number	Description	Qty	Remarks
1	8L8-83976-00-00	SWITCH, HANDLE 1	1	
2	8H4-85511-20-00	. COIL SOURCE 1	1	
3	8H5-85541-20-00	. COIL, CHARGE	1	
4	8G8-85513-20-00	. COIL, LIGHTING 1	1	
5	8H4-85580-20-00	. COIL, PULSER (8G8-85580-20)	1	
6	8G8-85519-20-00	. SPACER	2	
7	8G8-85515-20-00	. LEAD WIRE ASSEMBLY	1	
8	104-81328-20-00	. CLAMP	1	
9	98501-05035-00	. SCREW, PAN HEAD	4	
10	98501-05035-00	. SCREW, PAN HEAD	2	
11	98501-05035-00	. SCREW, PAN HEAD	1	
12	8J9-85550-20-00	. ROTOR ASSEMBLY (8K1-85550-20)	1	
13	98903-06014-00	SCREW, BIND	2	
14	90201-06043-00	WASHER, PLATE	2	
15	8H8-81891-00-00	GEAR, RING	1	
16	8H8-81895-00-00	STAY, RING GEAR	4	
17	92990-08100-00	WASHER, SPRING	4	
18	90110-08028-00	BOLT, HEX SKT HEADSOCKET HEAD	4	
19	97013-06012-00	BOLT	8	
20	92995-06100-00	WASHER, SPRING	8	

Not For Resale

www.SmallEngineDiscount.com



## C - D - I - MAGNETO SR540D-F

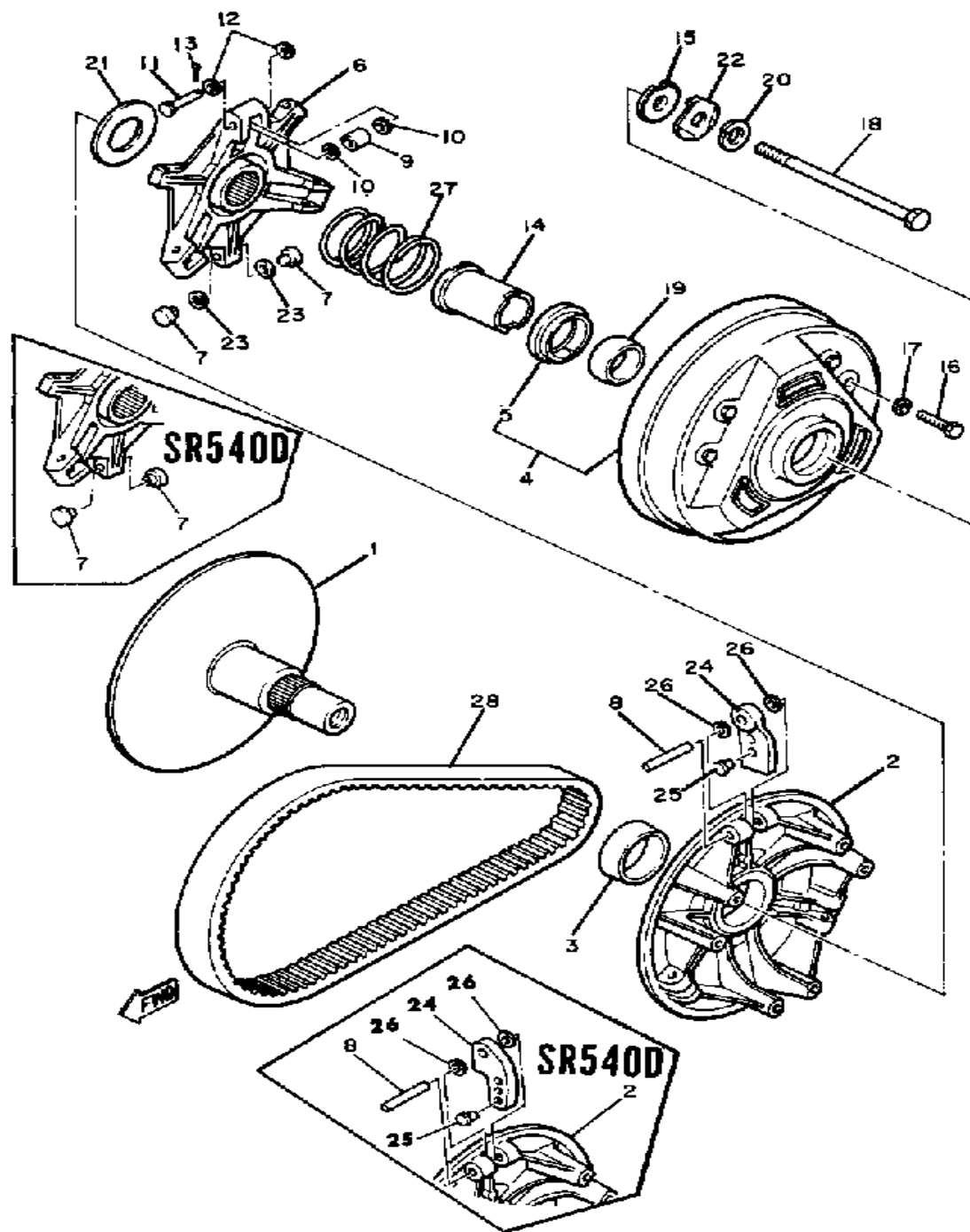


Ref. No.	Part Number	Description	Qty	Remarks
1	8N8-85500-20-00	CDI MAGNETO ASSEMBLY ...	1	
2	8N4-85511-20-00	. COIL SOURCE 1 .....	1	
3	8G8-85513-20-00	. COIL, LIGHTING 1 .....	1	
4	82M-85580-20-00	. COIL, PULSER (8N5-85580-20)	1	
5	(8N5-85500-20-00)	CDI MAGNETO ASSEMBLY ...	1	
6	104-81328-20-00	. CLAMP .....	1	
7	98501-05035-00	. SCREW, PAN HEAD .....	2	
8	92990-05100-00	. WASHER, SPRING .....	2	
9	98506-04018-00	. SCREW, PAN HEAD .....	2	
10	92901-04100-00	. WASHER, SPRING .....	2	
11	98580-04008-00	. SCREW, PAN HEAD .....	1	
12	92901-04100-00	. WASHER, SPRING .....	1	
13	98501-05018-00	. SCREW, PAN HEAD .....	2	
14	92990-05100-00	. WASHER, SPRING .....	2	
15	8J9-85550-20-00	. ROTOR ASSEMBLY (8K1-85550-20) .....	1	
16	98903-06014-00	SCREW, BIND .....	2	
17	90201-06043-00	WASHER, PLATE .....	2	
18	8H8-81891-00-00	GEAR, RING .....	1	
19	8H8-81895-00-00	STAY, RING GEAR .....	4	
20	92990-08100-00	WASHER, SPRING .....	4	
21	90110-08028-00	BOLT, HEX SKT HEADSOCKET HEAD .....	4	
22	97013-06012-00	BOLT .....	8	
23	92995-06100-00	WASHER, SPRING .....	8	

Not For Resale

www.SmallEngineDiscount.com

# PRIMARY SHEAVE SR540D-E



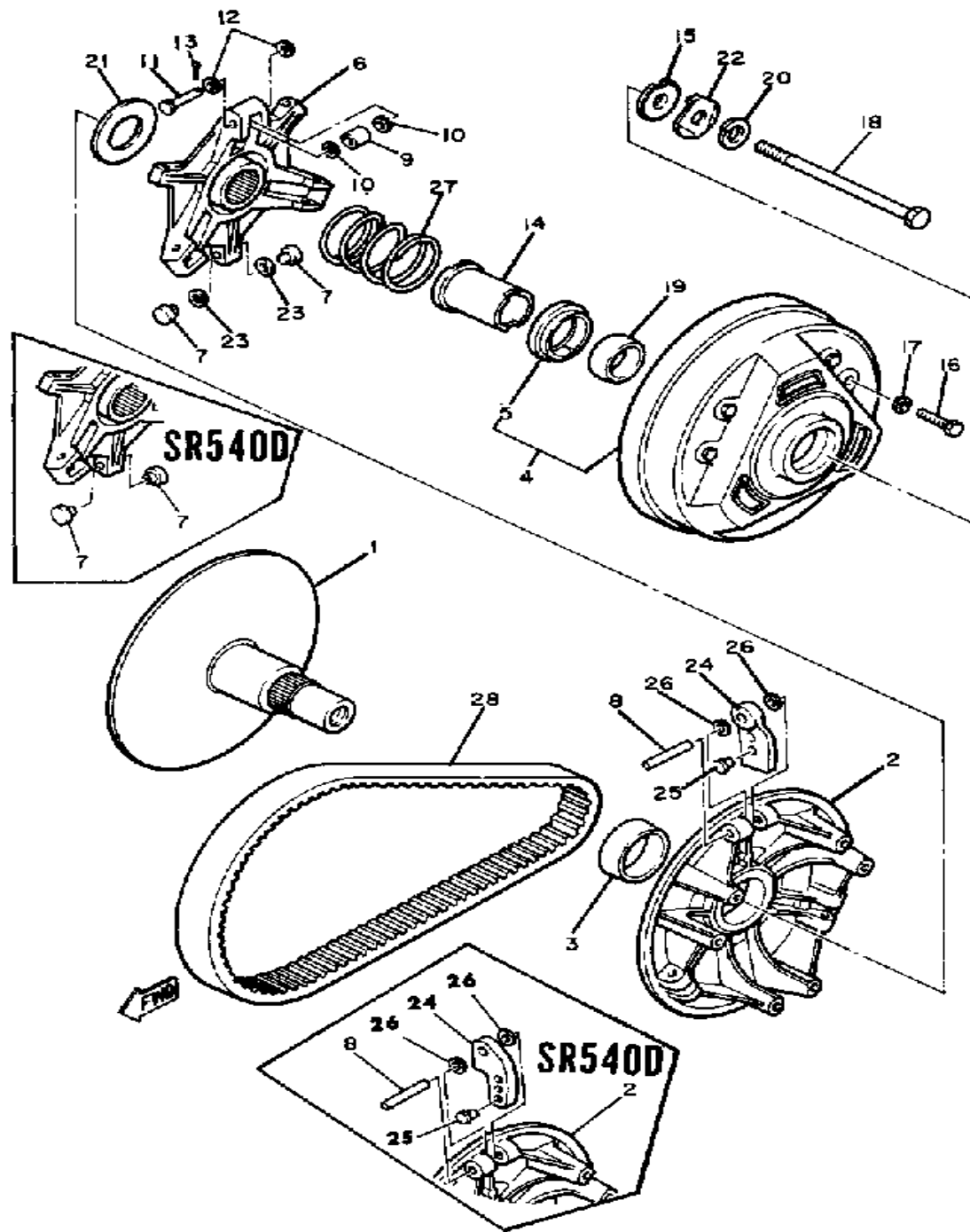
Ref. No.	Part Number	Description	Qty	Remarks
1	8J0-17610-01-00	PRI FIXED SHEAVE	1	
2	8E7-17621-01-00	SHEAVE, PRI SLIDING	1	
3	90389-41021-00	BUSH, SPEC'L SHAPE	1	
4	8E7-W1762-00-00	PRI. SHEAVE CAP	1	
5	8E7-17644-02-00	. SEAT, SPRING	1	
6	8J0-17627-00-00	SPIDER	1	
7	8F2-17653-00-00	SLIDER	6	
8	93607-44120-00	PIN, DOWEL	3	
9	8K2-17645-00-00	COLLAR	3	
	90387-06560-00	COLLAR	3	
10	90202-06113-00	WASHER, PLATE	6	
11	90240-06062-00	PIN, CLEVIS	3	
12	92990-06200-00	WASHER, PLAIN	6	
13	91401-25020-00	PIN, COTTER	3	
14	90387-28721-00	COLLAR	1	
15	8J0-17654-00-00	SPACER 1	1	
16	97313-06030-00	BOLT	6	
17	92995-06100-00	WASHER, SPRING	6	
18	90101-13406-00	BOLT	1	
19	90389-34020-00	BUSH, SPEC'L SHAPE	1	
20	90204-13010-00	WASHER, SPRING	1	
21	90201-32710-00	WASHER, PLATE	1	
22	90215-13047-00	WASHER, LOCK	1	
23	90201-090A4-00	WASHER, PLATE	1	U.N.
24	8L0-17632-00-00	WEIGHT, CLUTCH	3	
	8L9-17632-00-00	WEIGHT, CLUTCH	3	
25	90261-06015-00	RIVET, COUNTERSUNK (ST10.3MM)	3	
	90261-06019-00	RIVET, WEIGHT	6	

CONTINUED ON NEXT FRAME ►

Not For Resale

www.SmallEngineDiscount.com

# PRIMARY SHEAVE SR540D-E

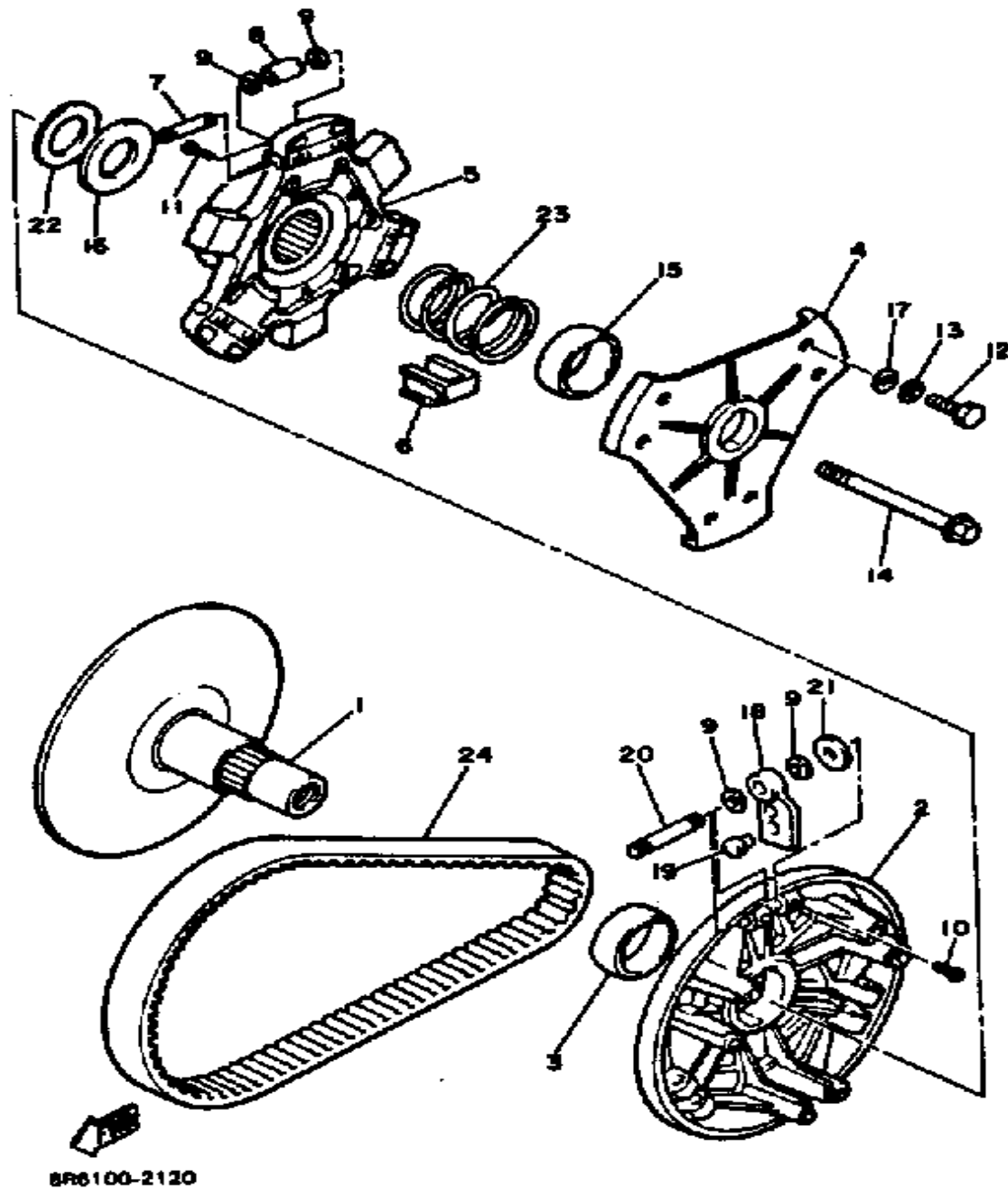


Ref. No.	Part Number	Description	Qty	Remarks
26	90201-07641-00	WASHER, PLATE .....	6	
27	90501-50500-00	SPRING, COMPRESSION .....	1	
	90501-55345-00	SPRING, COMPRESSION .....	1	
28	8F2-17641-01-00	V-BELT .....	1	
	8K2-17602-09-00	CLUTCH SUB ASSEMBLY ....	1	OPTIONAL KITSWITH +
	8L9-00000-50-00	CLTCH TUNE UP KIT .....	1	OPTIONAL KITSWITH *
	8L9-17000-10-00	CLUTCH WEIGHT KIT .....	1	OPTIONAL KITSWITH +

Not For Resale

[www.SmallEngineDiscount.com](http://www.SmallEngineDiscount.com)

# PRIMARY SHEAVE SR540F



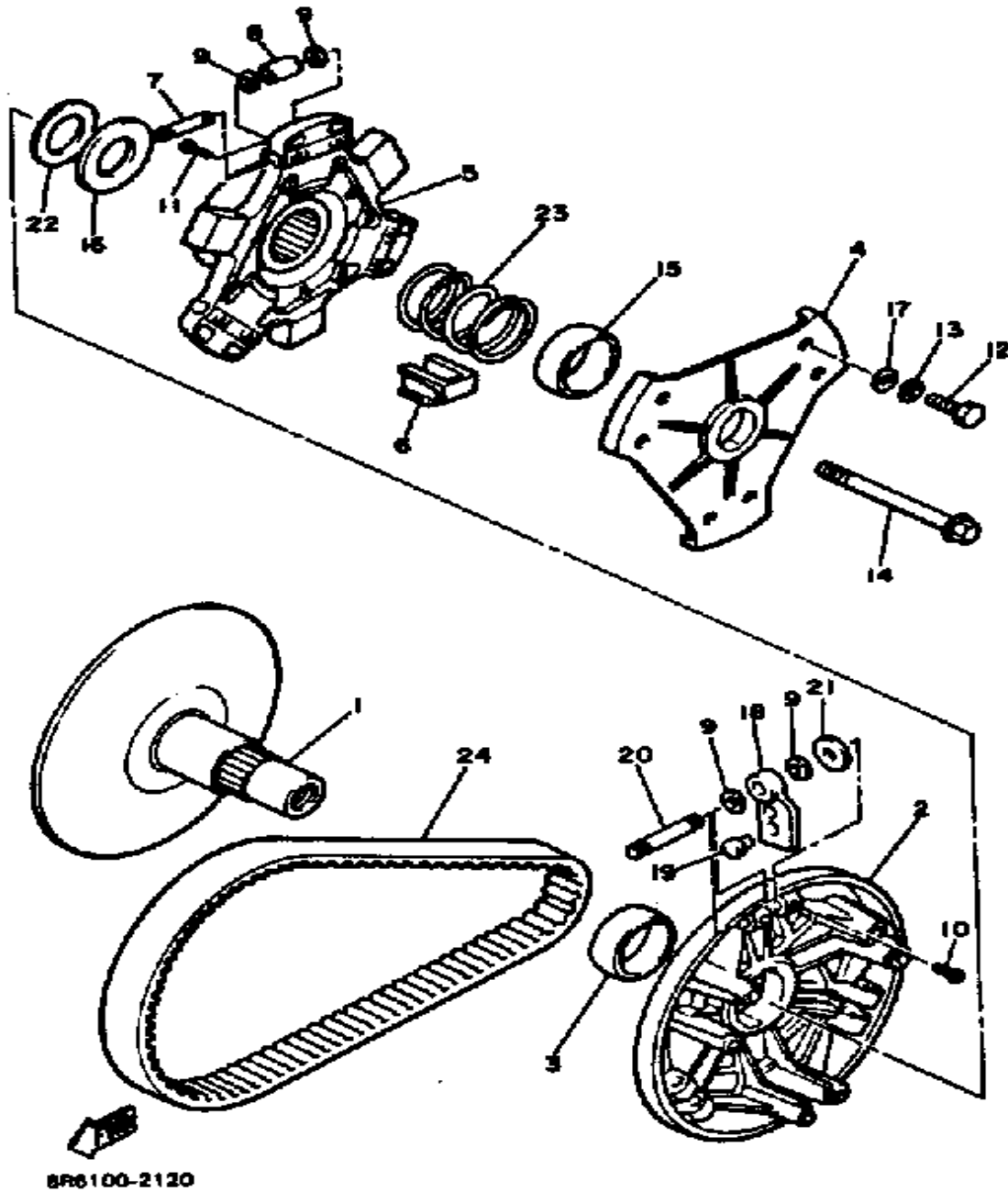
Ref. No.	Part Number	Description	Qty	Remarks
1	8R6-17610-00-00	PRI FIXED SHEAVE .....	1	
2	(8R6-17627-00-00)	SPIDER .....	1	
3	90389-40029-00	BUSH .....	1	
4	8R6-17633-00-00	WEIGHT .....	1	
5	(8R6-17627-00-00)	SPIDER .....	1	
6	8R6-17653-00-00	SLIDER .....	3	
7	8R6-17636-01-00	PIN .....	3	
8	8R6-17645-00-00	COLLAR .....	3	
9	90202-10131-00	WASHER, PLATE .....	12	
10	90110-05049-00	BOLT, HEX SKT HEAD .....	6	
11	90110-05048-00	BOLT, HEX SKT HEAD .....	6	
12	97311-06045-00	BOLT, HEXAGON .....	6	
13	92995-06100-00	WASHER, SPRING .....	6	
14	8R6-17647-00-00	BOLT .....	1	
15	90389-28032-00	BUSH (90389-28026-00) .....	1	
16	90201-32710-00	WASHER, PLATE .....	1	
17	92901-06600-00	WASHER .....	6	
18	8R6-17633-00-00	WEIGHT .....	3	STD *
	8R9-17633-00-00	WEIGHT .....	3	FOR HIGH ALTITUDE
19	90261-06015-00	RIVET, COUNTERSUNK (ST10.3MM) .....	6	STD *
	90261-06016-00	RIVET, CNTRSNK HD .....	3	FOR HIGH ALTITUDE
20	8R6-17628-00-00	PIN, WEIGHT .....	3	
21	90201-101F8-00	WASHER, PLATE .....	1	UN *
22	90201-32710-00	WASHER, PLATE .....	1	
23	90501-50500-00	SPRING, COMPRESSION .....	1	FOR HIGH/ALT
	90501-55672-00	SPRING, GRN/ORNG .....	1	STD
24	8F2-17641-01-00	V-BELT .....	1	
	8R6-00000-50-00	CLUTCH TUNE UP KIT .....	1	OPTIONAL KITSWITH *

CONTINUED ON NEXT FRAME ►

Not For Resale

www.SmallEngineDiscount.com

# PRIMARY SHEAVE SR540F

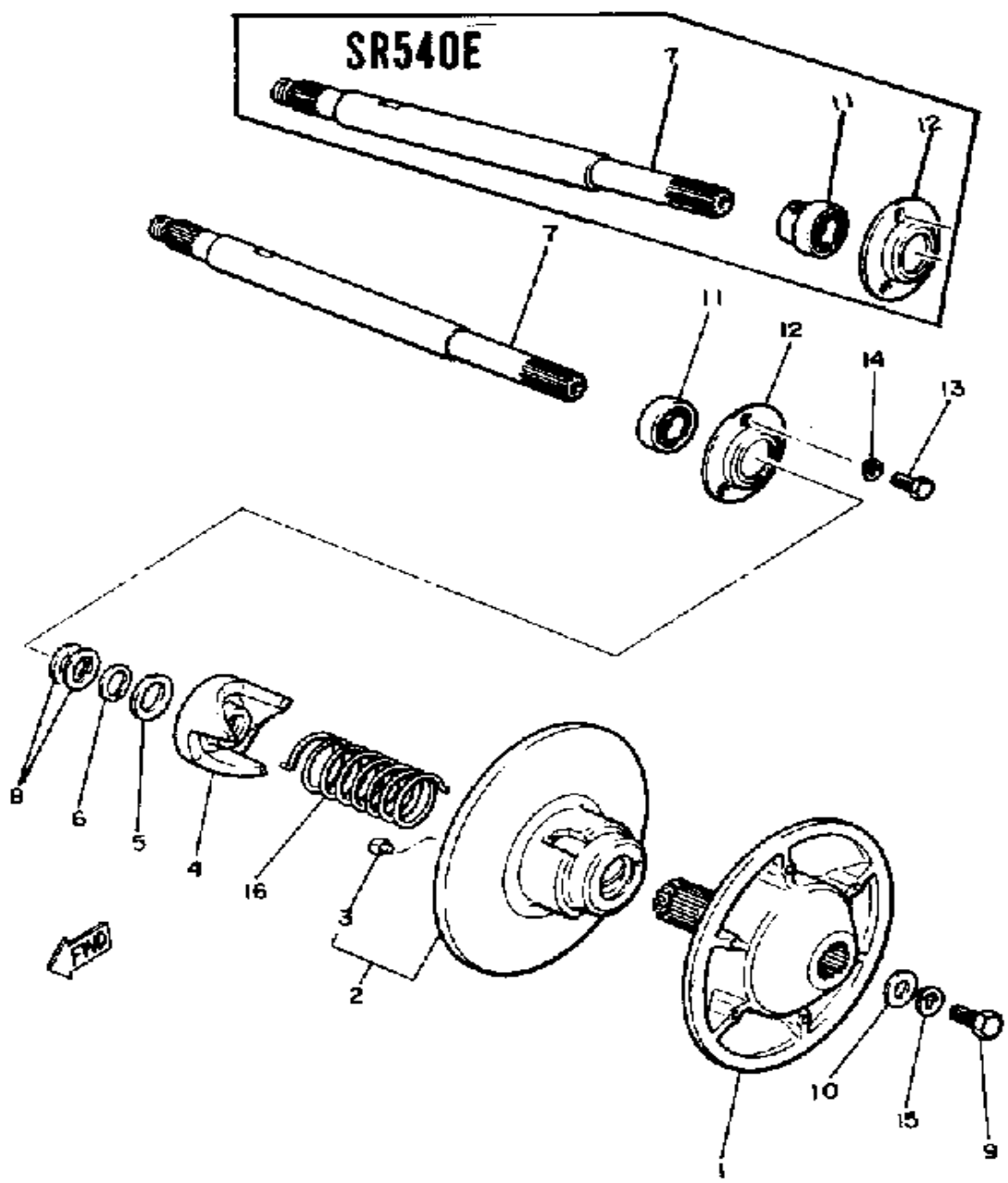


Ref. No.	Part Number	Description	Qty	Remarks
24	8R6-17000-10-00	CLUTCH WEIGHT KIT . . . . .	1	OPTIONAL KITSWITH *
	8R6-17610-00-00	PRI FIXED SHEAVE . . . . .	1	OPTIONAL KITSWITH +

Not For Resale

[www.SmallEngineDiscount.com](http://www.SmallEngineDiscount.com)

# SECONDARY SHEAVE SR540DE

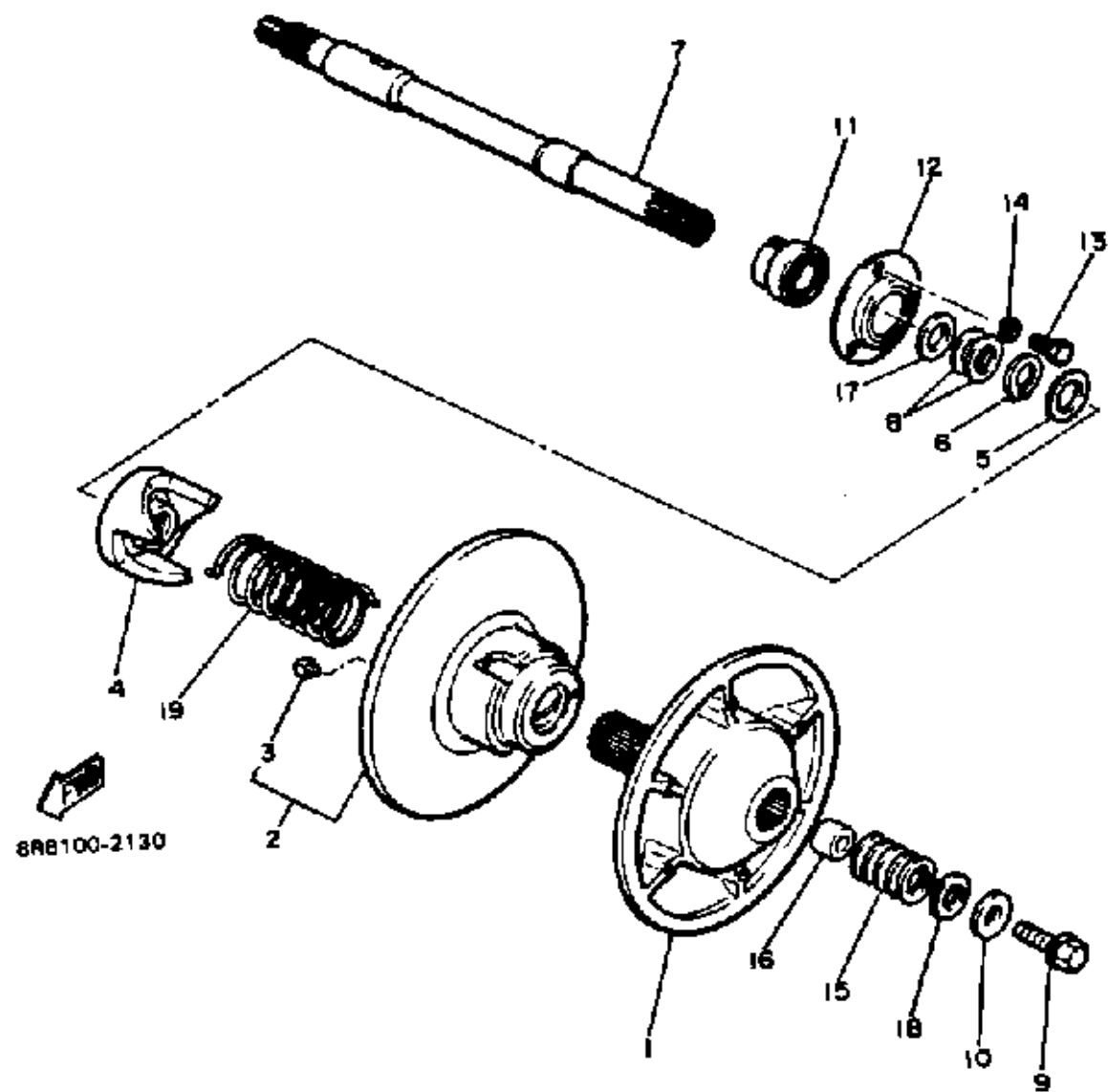


Ref. No.	Part Number	Description	Qty	Remarks
1	8K4-17660-00-00	SEC FXD SHV	1	
2	99999-01794-00	SEC.SLDNG.SHV.SET	1	
3	8X6-17688-00-00	. SHOE, RAMP	3	
4	8K4-17684-00-00	SEAT, SEC SPRING	1	
5	90201-34684-00	WASHER, PLATE	1	
6	93440-34170-00	CIRCLIP (93410-33032-00)	1	
7	8L0-17681-00-00	SHAFT, SECONDARY	1	
8	90201-25526-00	WASHER, PLATE (T2.0)	1	U.R.
	90201-25527-00	WASHER, PLATE (T1.0)	1	U.R.
9	90101-14468-00	BOLT	1	
	90105-14175-00	BOLT, WASHER BASED	1	
10	90201-140A6-00	WASHER, PLATE	1	
11	8L8-17678-00-00	BEARING	1	
	93306-20537-00	BEARING	1	
12	8K4-47631-01-00	HOUSING, BEARING	1	
13	97011-08016-00	BOLT	3	
14	92990-08100-00	WASHER, SPRING	3	
15	92901-14100-00	WASHER, SPRING	1	U.N. (E)
	92901-14100-00	WASHER, SPRING	5	U.N. (E)
16	90508-45286-00	SPRING, TORSION	1	

Not For Resale

www.SmallEngineDiscount.com

# SECONDARY SHEAVE SR540F



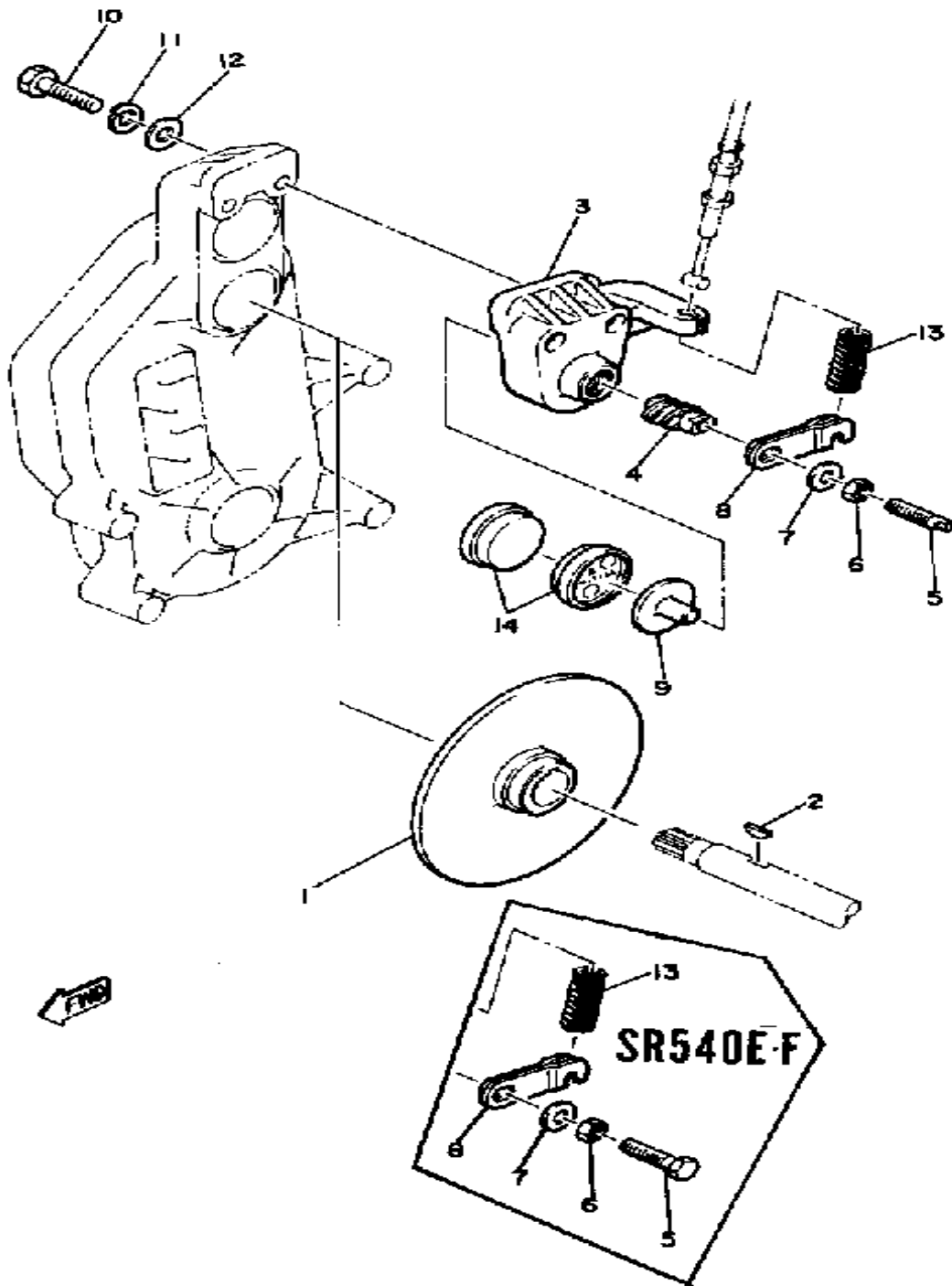
Ref. No.	Part Number	Description	Qty	Remarks
1	8K4-17660-00-00	SEC FXD SHV	1	
2	99999-01794-00	SEC.SLDNG.SHV.SET	1	
3	8X6-17688-00-00	. SHOE, RAMP	3	
4	8K4-17684-00-00	SEAT, SEC SPRING	1	
5	90201-34684-00	WASHER, PLATE	1	
6	93440-34170-00	CIRCLIP (93410-33032-00)	1	
7	82M-17681-00-00	SHAFT, SECONDARY	1	
8	90201-25526-00	WASHER, PLATE (T2.0)	1	U.R.
	90201-25527-00	WASHER, PLATE (T1.0)	1	U.R.
9	90105-14175-00	BOLT, WASHER BASED	1	
10	90201-140A6-00	WASHER, PLATE	1	
11	8L8-17678-00-00	BEARING	1	
12	8K4-47631-01-00	HOUSING, BEARING	1	
13	97011-08016-00	BOLT	3	
14	92990-08100-00	WASHER, SPRING	3	
15	90201-225A4-00	WASHER, PLATE (T=1.0)	5	U.N.
16	90387-147A8-00	COLLAR	1	
17	90201-252F1-00	WASHER, PLATE (T0.5)	1	U.N.
18	90201-222F0-00	WASHER, PLATE (T=0.5)	1	U.N.
19	90508-45508-00	SPRING, TORSION	1	

Not For Resale

[www.SmallEngineDiscount.com](http://www.SmallEngineDiscount.com)

# BRAKE SR540DEF

Ref. No.	Part Number	Description	Qty	Remarks
1	(8K4-25831-00-00)	DISC, BRAKE	1	
	8L8-25831-00-00	DISC, BRAKE (R)	1	
2	8J7-25848-00-00	KEY	1	
3	8K4-25731-00-00	BODY, CALIPER 1	1	
4	878-25728-00-00	CAM	1	
5	90101-08499-00	BOLT	1	
	90149-08033-00	SCREW, SPEC'L SHAPE	1	
6	95303-08700-00	NUT	1	
7	92901-08600-00	WASHER, PLATE	1	
8	878-25726-00-00	LEVER, BRAKE	1	
9	878-25733-00-00	PLATE, BACK UP	1	
10	97313-10055-00	BOLT, HEXAGON (97322-10055)	2	
11	92990-10100-00	WASHER, SPRING	2	
12	92990-10600-00	WASHER, PLATE	2	
13	90501-23337-00	SPRING, COMPRESSION	1	
14	84X-25811-01-00	PAD, CALIPER 2	1	U.R.
	84X-25811-01-00	PAD, CALIPER 2	2	U.R.

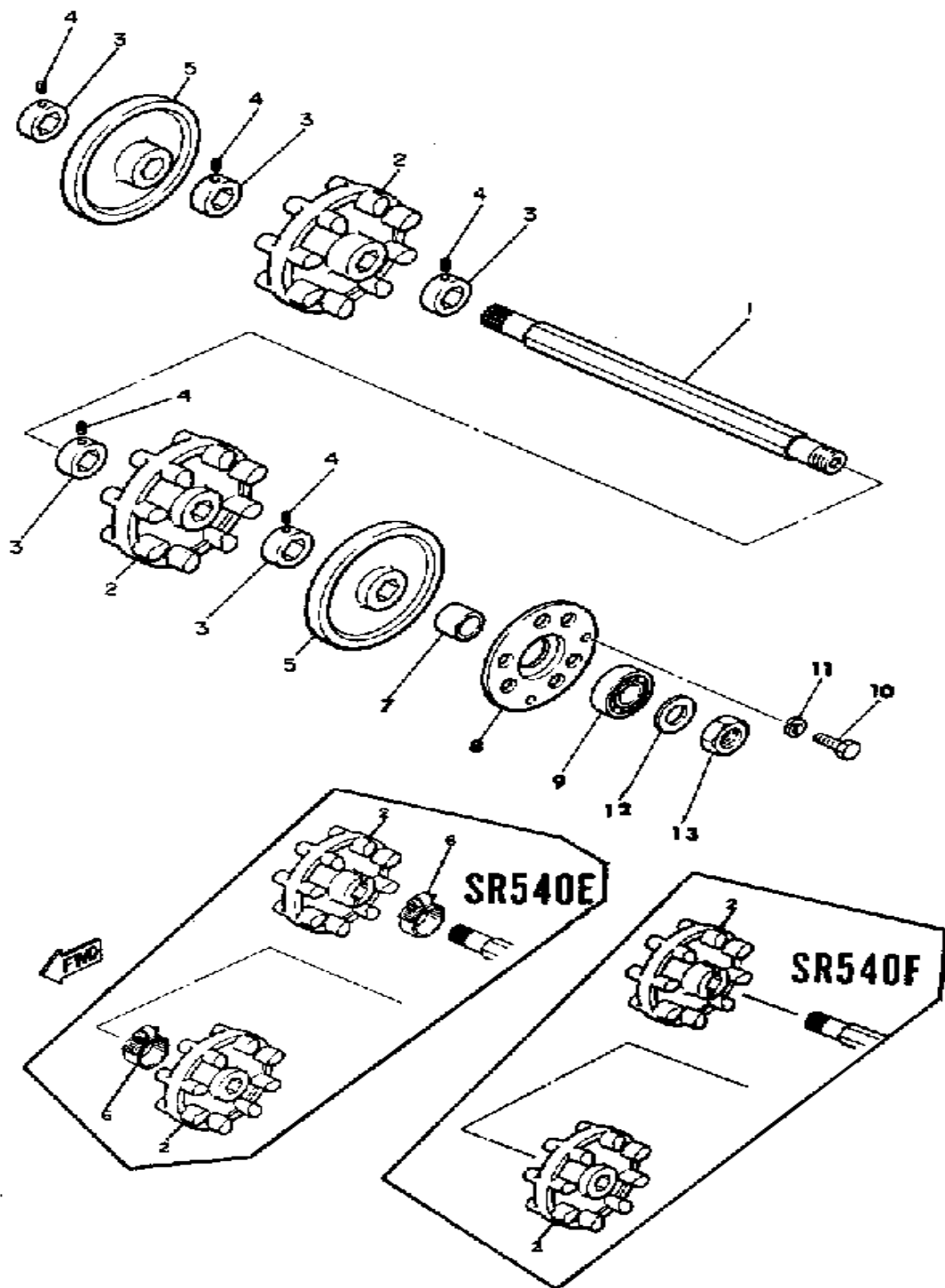


Not For Resale

www.SmallEngineDiscount.com



# TRACK DRIVE 1 SR540DEF

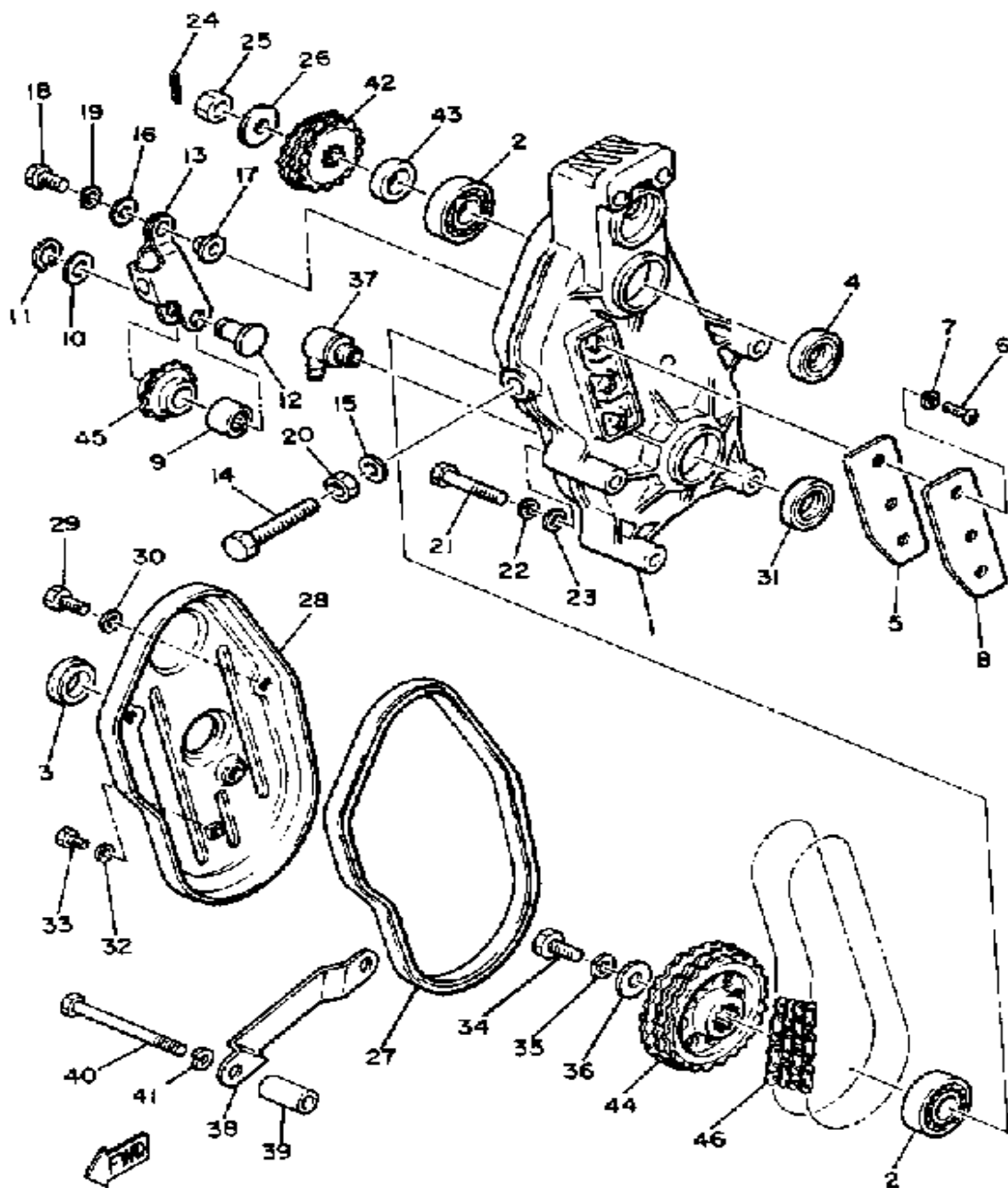


Ref. No.	Part Number	Description	Qty	Remarks
1	8L0-W4751-00-00	AXLE, FRONT	1	
2	(8L0-47531-00-00)	WHEEL, SPROCKET 1	2	
	8L9-47531-00-00	WHEEL, SPROCKET 1	2	
	8R6-W4753-01-00	WHEEL, SPROCKET 1	2	
3	8K1-47526-00-00	COLLAR	3	
	8K1-47526-00-00	COLLAR	5	
4	90113-06039-00	BOLT, SET	3	
	90113-06039-00	BOLT, SET	5	
5	(8J0-47534-01-00)	WHEEL, GUIDE 1	2	
	8L9-47534-01-00	WHEEL, GUIDE 1	2	
6	90460-50079-00	CLAMP, HOSE	2	
7	90387-220A6-00	COLLAR	1	
8	8K4-47551-00-00	HOUSING, FRONT AXLE	1	
9	93306-00420-00	BEARING (B6004)	1	
10	97011-08016-00	BOLT	3	
11	92990-08100-00	WASHER, SPRING	3	
12	90208-22001-00	WASHER, CONICAL SPRING	1	
13	90170-22094-00	NUT	1	

Not For Resale

www.SmallEngineDiscount.com

# TRACK DRIVE 2 SR540D

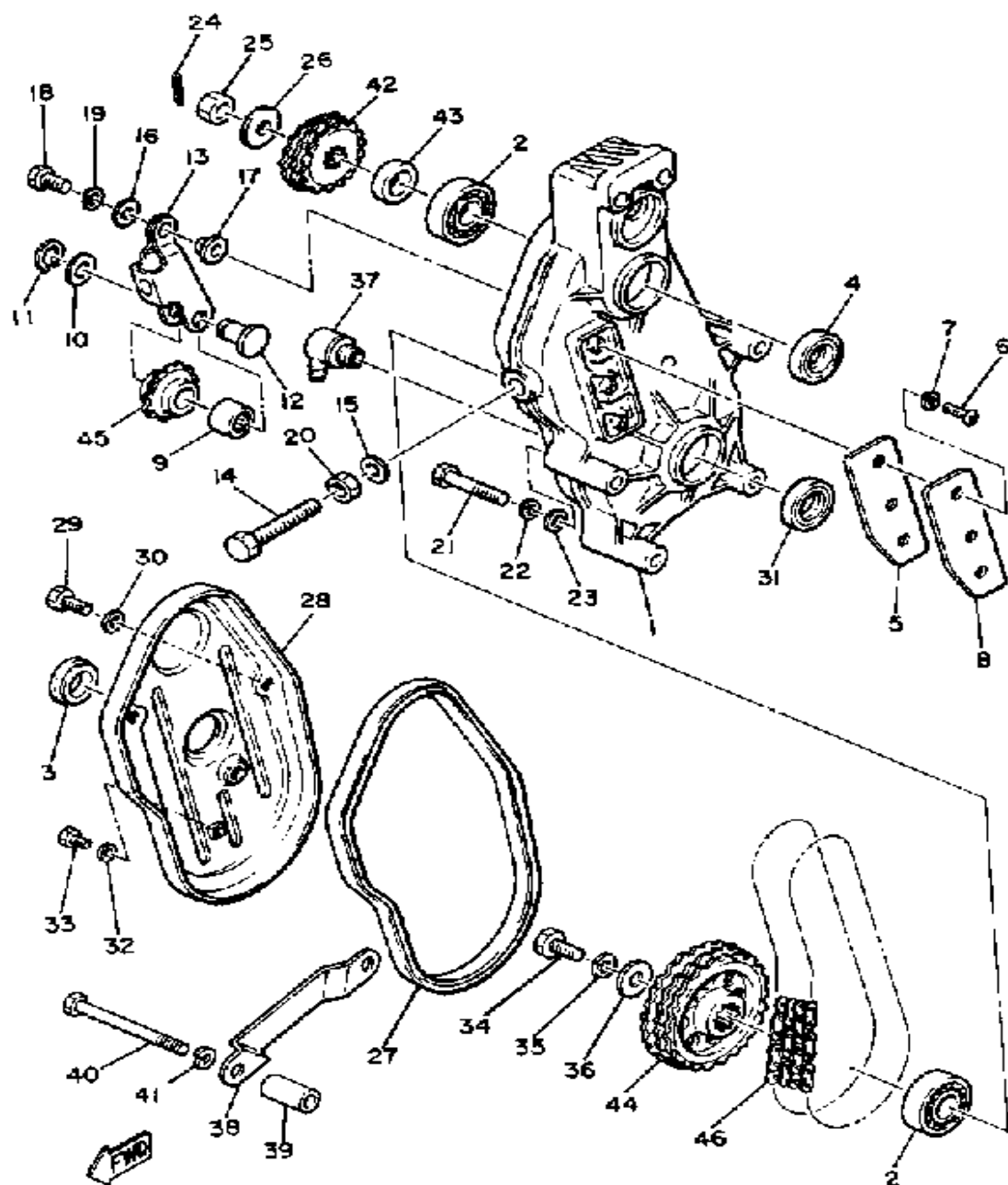


Ref. No.	Part Number	Description	Qty	Remarks
1	8K4-47541-00-00	HOUSING, CHAIN	1	
2	93306-20570-00	BEARING	2	
3	148-22315-00-00	CAP	1	
4	93102-27204-00	OIL SEAL	1	
5	86K-47592-00-00	GASKET (8K4-47592-00)	1	
6	98503-06014-00	SCREW, PAN HEAD (92501-06015)	3	
7	92995-06100-00	WASHER, SPRING	3	
8	8K4-47591-00-00	PLATE	1	
9	93315-21227-00	BEARING	1	
10	90201-12631-00	WASHER, PLATE	1	
11	99009-12400-00	CIRCLIP	1	
12	90249-12135-00	PIN, SPEC'L SHAPE	1	
13	8K4-47613-00-00	HOLDER	1	
14	90101-10357-00	BOLT	1	
15	90210-10004-00	WASHER, SEAL	1	
16	92990-08200-00	WASHER, PLAIN	2	
17	90387-08301-00	COLLAR	1	
18	97013-08025-00	BOLT	1	
19	92990-08100-00	WASHER, SPRING	1	
20	95303-10700-00	NUT	1	
21	97021-08065-00	BOLT	2	
22	92990-08100-00	WASHER, SPRING	2	
23	92901-08600-00	WASHER, PLATE	2	
24	91401-30030-00	PIN, COTTER	1	
25	90170-20211-00	NUT	1	
26	90208-20008-00	WASHER, CONICAL SPRING	1	
27	8K4-47558-00-00	RING, HOUSING	1	
28	8K4-47543-00-00	CAP, HOUSING	1	

CONTINUED ON NEXT FRAME ►

Not For Resale  
[www.SmallEngineDiscount.com](http://www.SmallEngineDiscount.com)

# TRACK DRIVE 2 SR540D

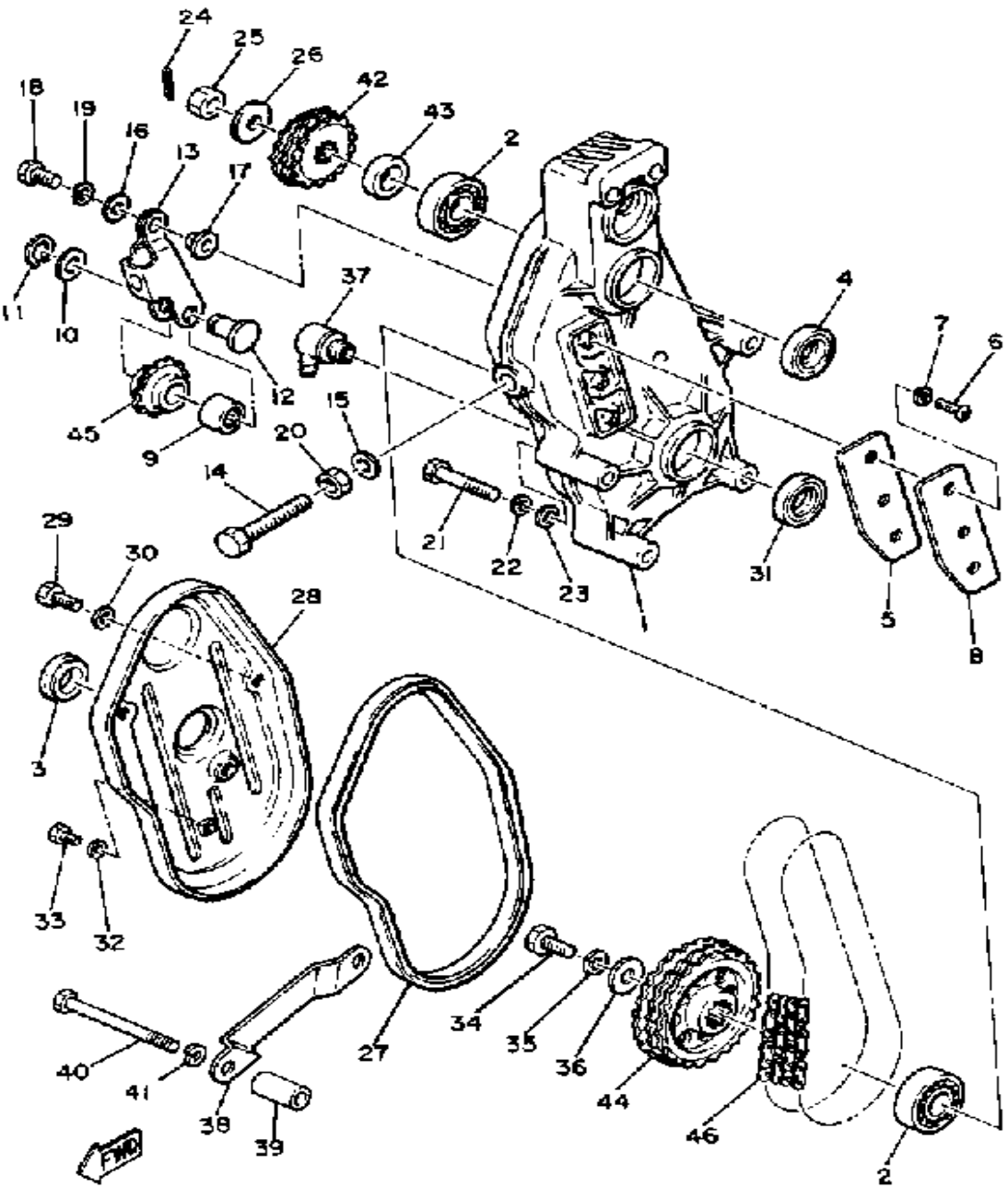


Ref. No.	Part Number	Description	Qty	Remarks
29	97313-08018-00	BOLT, HEXAGON	3	
30	90210-08002-00	WASHER, SEAL	3	
31	93102-25081-00	OIL SEAL	1	
32	90210-06006-00	WASHER, SEAL	1	
33	90210-06006-00	WASHER, SEAL	1	
34	97011-10025-00	BOLT	1	
35	92990-10100-00	WASHER, SPRING	1	
36	90201-10322-00	WASHER, PLATE	1	
37	8E4-24461-00-00	PIPE, JOINT	1	
38	8K4-47565-00-00	STAY 1	1	
39	90387-101A1-00	COLLAR	2	
40	97023-08090-00	BOLT (97321-08090)	2	
41	92990-08100-00	WASHER, SPRING	2	
42	829-17682-00-00	SPRKT, CHAIN DR 20T (20T)	1	U.R.
	829-17682-50-00	SPRKT, CHAIN DR 15T (878-17682-50) (15T)	1	U.R.
	829-17682-60-00	SPRKT, CHAIN DR 16T (16T)	1	U.R.
	829-17682-70-00	SPRKT, CHAIN DR 17T (17T)	1	U.R.
	829-17682-80-00	SPRKT, CHAIN DR 18T (18T)	1	U.R. STD
	829-17682-90-00	SPRKT, CHAIN DR 19T (878-17682-90) (19T)	1	U.R.
	8U9-17693-10-00	SPROCKET, CHAIN DR (878-17693-10) (21T)	1	U.R.
	8U9-17693-20-00	SPROCKET, CHAIN DR (878-17693-20) (22T)	1	U.R.
43	90387-25798-00	COLLAR	1	U.R.
44	878-47548-90-00	SPROCKET, CHN DRVN (29T)	1	U.R. STD
	8U9-47587-00-00	SPROCKET, CHN DRVN (31T)	1	U.R.
	8U9-47587-10-00	SPROCKET, CHN DRVN (888-47587-00) (33T)	1	U.R.

CONTINUED ON NEXT FRAME ►

Not For Resale  
[www.SmallEngineDiscount.com](http://www.SmallEngineDiscount.com)

# TRACK DRIVE 2 SR540D

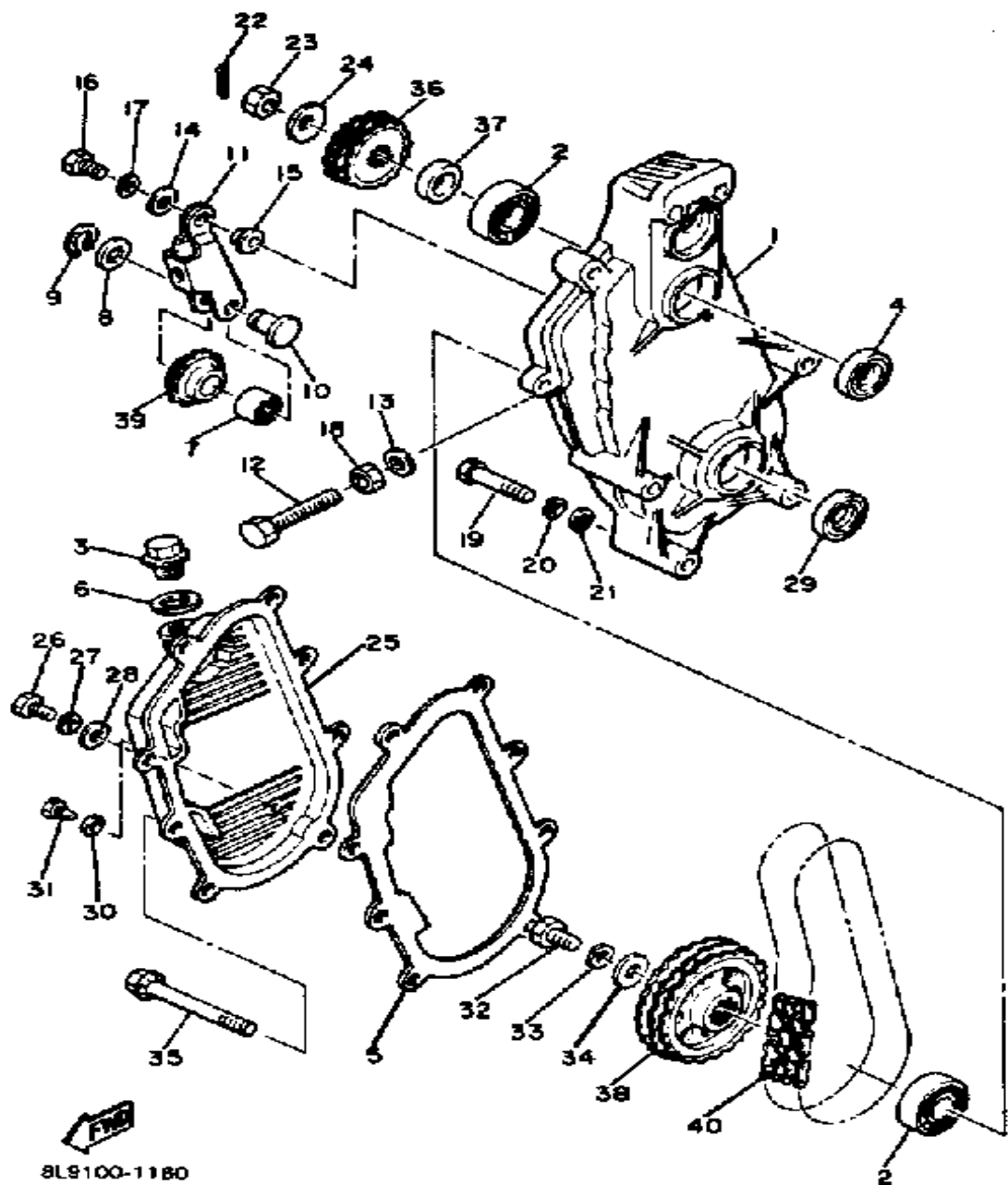


Ref. No.	Part Number	Description	Qty	Remarks
44	8U9-47587-30-00	SPROCKET, CHN DRVN (878-47587-20) (35T)	1	U.R.
45	8L0-47612-00-00	WHEEL	1	
46	94850-35068-00	CHAIN 68 (RS35V-368L)	1	U.R.
	94850-35070-00	CHAIN 70 (RS35V-3 70L)	1	U.R.
	94890-03064-00	CHAIN 8 8	1	U.R. STD

Not For Resale

www.SmallEngineDiscount.com

# TRACK DRIVE 2 SR540EF



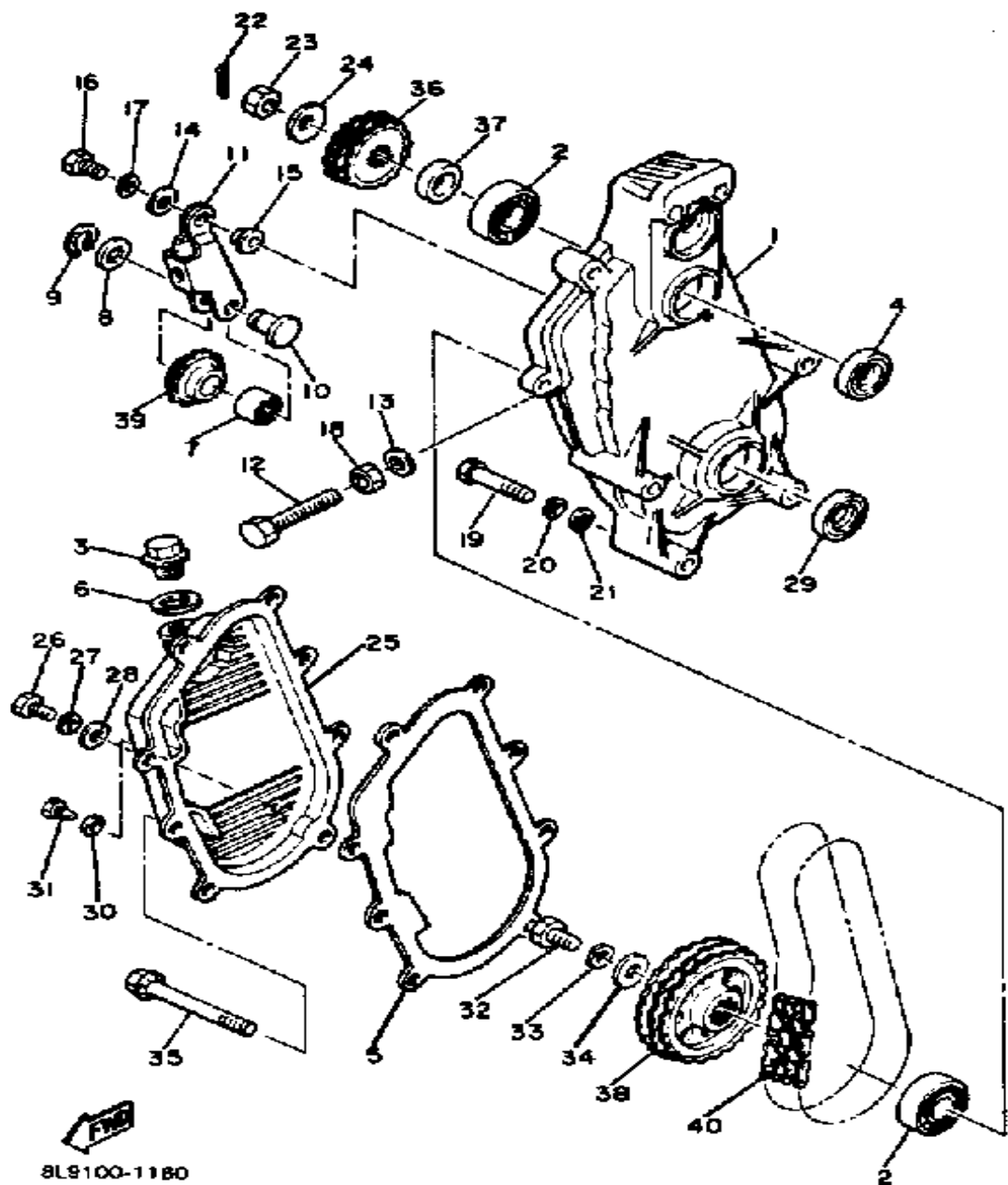
Ref. No.	Part Number	Description	Qty	Remarks
1	99999-02203-00	HOUSING, CHAIN (8L9-47541-00-00)	1	
2	93306-20570-00	BEARING	2	
3	90340-22047-00	PLUG, STRAIGHT SCREW	1	
4	93102-27204-00	OIL SEAL	1	
5	86M-47592-00-00	GASKET	1	
6	90430-22144-00	GASKET	1	
7	93315-21227-00	BEARING	1	
8	90201-12631-00	WASHER, PLATE	1	
9	99009-12400-00	CIRCLIP	1	
10	90249-12135-00	PIN, SPEC'L SHAPE	1	
11	8K4-47613-00-00	HOLDER	1	
12	90101-10357-00	BOLT	1	
13	90210-10004-00	WASHER, SEAL	1	
14	92990-08200-00	WASHER, PLAIN	2	
15	90387-08301-00	COLLAR	1	
16	97013-08025-00	BOLT	1	
17	92990-08100-00	WASHER, SPRING	1	
18	95303-10700-00	NUT	1	
19	97021-08065-00	BOLT	2	
20	92990-08100-00	WASHER, SPRING	2	
21	92901-08600-00	WASHER, PLATE	2	
22	91401-30030-00	PIN, COTTER	1	
23	90170-20211-00	NUT	1	
24	90208-20008-00	WASHER, CONICAL SPRING	1	
25	8L9-47543-00-00	CAP, HOUSING	1	
26	97021-06030-00	BOLT	6	
27	92995-06100-00	WASHER, SPRING	6	
28	92901-06600-00	WASHER	6	

CONTINUED ON NEXT FRAME ►

Not For Resale

www.SmallEngineDiscount.com

# TRACK DRIVE 2 SR540EF



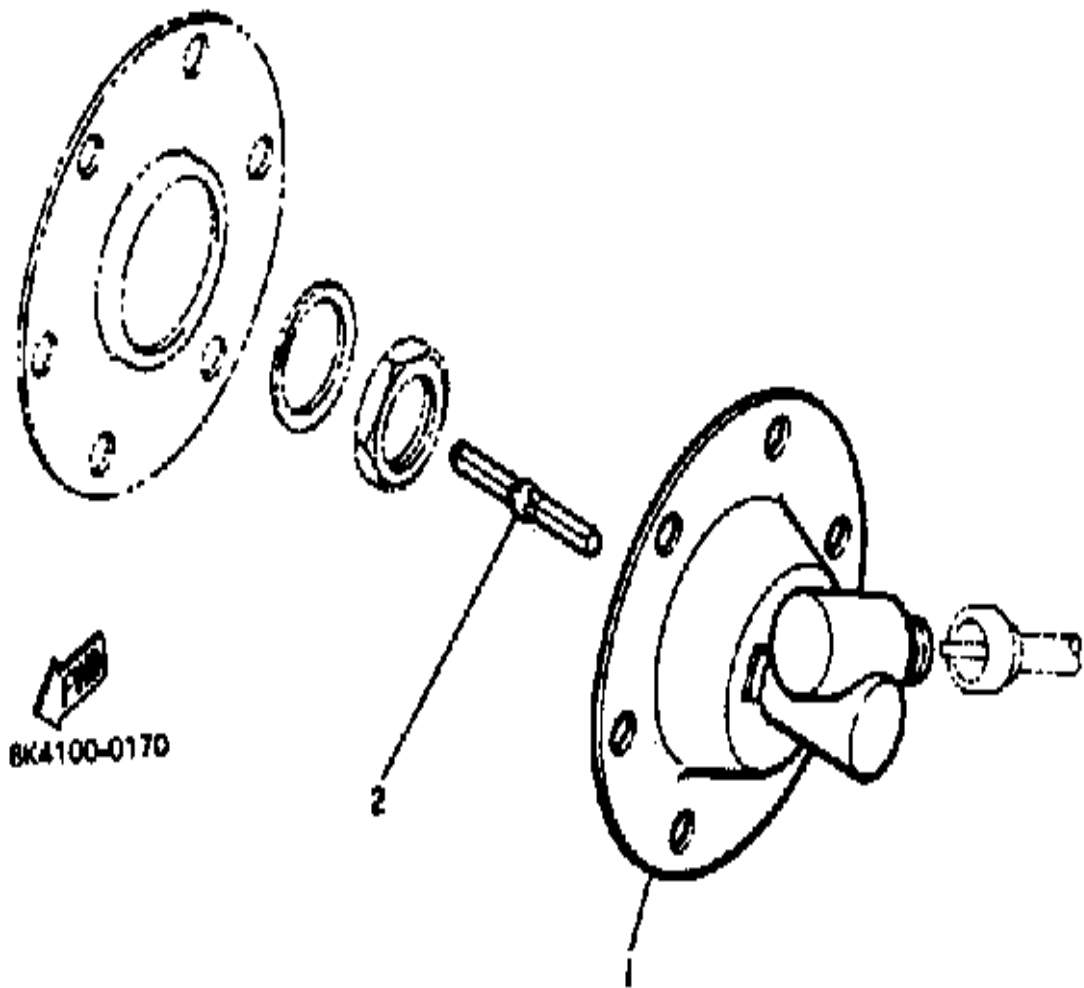
Ref. No.	Part Number	Description	Qty	Remarks
29	93102-25081-00	OIL SEAL .....	1	
30	90210-06006-00	WASHER, SEAL .....	1	
31	97011-06010-00	BOLT (97002-06010) .....	1	
32	97011-10025-00	BOLT .....	1	
33	92990-10100-00	WASHER, SPRING .....	1	
34	90201-10322-00	WASHER, PLATE .....	1	
35	95811-08090-00	BOLT, FLANGE (95822-08090) .	2	
36	829-17682-00-00	SPRKT, CHAIN DR 20T (20T) ..	1	ALT. PRT
	829-17682-50-00	SPRKT, CHAIN DR 15T (878-17682-50) (15T) .....	1	
	829-17682-60-00	SPRKT, CHAIN DR 16T (16T) ..	1	
	829-17682-70-00	SPRKT, CHAIN DR 17T (17T) ..	1	U.R. STD
	829-17682-80-00	SPRKT, CHAIN DR 18T (18T) ..	1	ALT. PRT
	829-17682-90-00	SPRKT, CHAIN DR 19T (878-17682-90) (19T) .....	1	ALT. PRT
	8U9-17693-10-00	SPROCKET, CHAIN DR (878-17693-10) (21T) .....	1	ALT. PRT
	8U9-17693-20-00	SPROCKET, CHAIN DR (878-17693-20) (22T) .....	1	ALT. PRT
37	90387-25798-00	COLLAR .....	1	
38	878-47548-90-00	SPROCKET, CHN DRVN (29T) .	1	ALT. PRT
	8U9-47587-00-00	SPROCKET, CHN DRVN (31T) .	1	U.R. STD
	8U9-47587-10-00	SPROCKET, CHN DRVN (888-47587-00) (33T) .....	1	ALT. PRT
39	8L0-47612-00-00	WHEEL .....	1	
40	94850-35066-00	CHAIN 66 (RS35V-3 66L) .....	1	U.R. STD (F)
	94850-35068-00	CHAIN 68 (RS35V-368L) .....	1	U.R. STD (E)
	94850-35070-00	CHAIN 70 (RS35V-3 70L) .....	1	ALT. PRT
	94890-03064-00	CHAIN 8 8 .....	1	ALT. PRT

Not For Resale

www.SmallEngineDiscount.com

# SPEEDOMETER GEAR UNIT SR540DEF

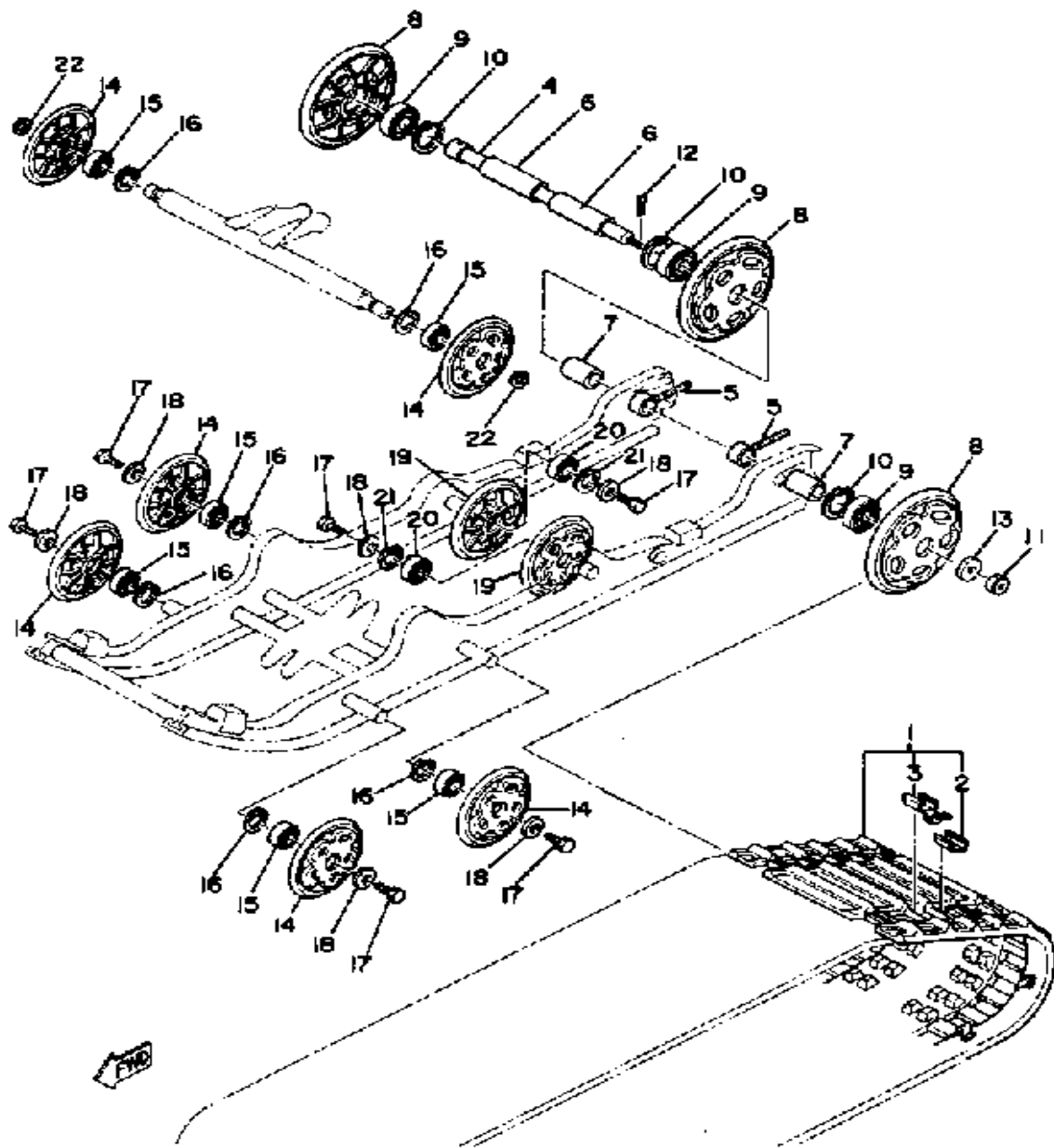
Ref. No.	Part Number	Description	Qty	Remarks
1	8K4-47700-00-00	METER GEAR HOUSING COMP.	1	
	8L9-47700-00-00	METER GEAR HOUSING COMP	1	
2	8K4-47715-00-00	JOINT .....	1	



Not For Resale

[www.SmallEngineDiscount.com](http://www.SmallEngineDiscount.com)

# TRACK SUSPENSION 1 SR540D



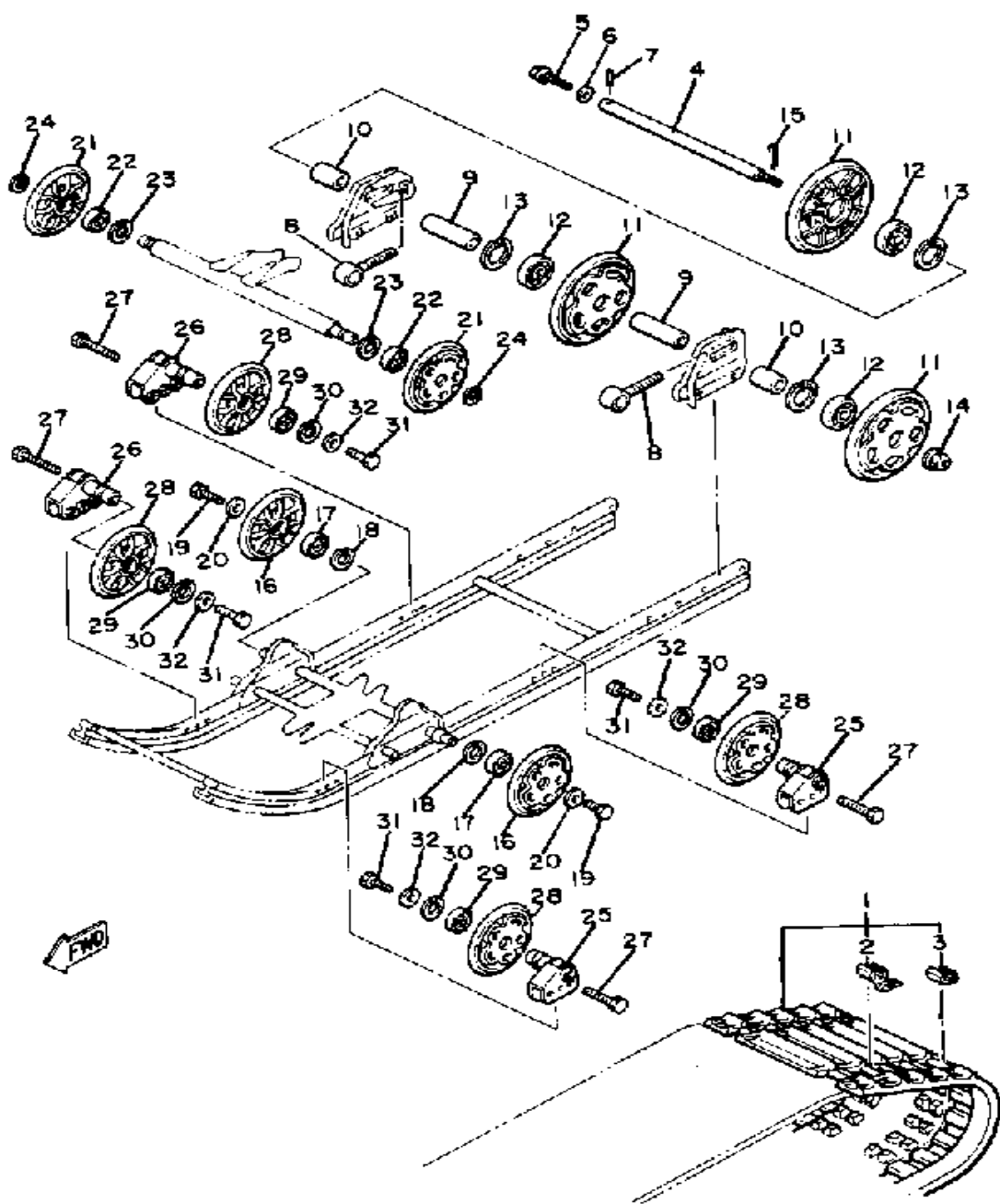
Ref. No.	Part Number	Description	Qty	Remarks
1	8G9-47110-00-00	TRACK ASSEMBLY .....	1	
2	8A5-47113-00-00	. PLATE, REINFORCEMENT ..	46	
3	8G9-47115-00-00	. METAL, SLIDE .....	46	
4	(8K2-47521-02-00)	AXLE, REAR .....	1	
5	8K2-47479-01-00	COLLAR 3 .....	2	
6	90387-20756-00	COLLAR .....	2	
7	90387-21757-00	COLLAR .....	2	
8	8K2-47530-00-00	GUIDE WHEEL COMP. ....	3	
9	93306-20417-00	BEARING (B62042RS) .....	3	
10	99009-47500-00	CIRCLIP .....	3	
11	95601-12100-00	NUT, U .....	1	
12	91401-30020-00	PIN, COTTER .....	1	
13	90201-120A5-00	WASHER, PLATE .....	1	
14	87M-47320-00-00	SUSPENSION WHEEL COMP .	6	
15	93306-00441-00	BEARING (89A) (B6004RS) ...	6	
16	99009-42500-00	CIRCLIP .....	6	
17	90109-08559-00	BOLT .....	6	
18	90201-08681-00	WASHER, PLATE .....	6	
19	87M-47320-00-00	SUSPENSION WHEEL COMP .	2	
20	93306-00441-00	BEARING (89A) (B6004RS) ...	2	
21	99009-42500-00	CIRCLIP .....	2	
22	99009-20400-00	CIRCLIP .....	2	

Not For Resale

[www.SmallEngineDiscount.com](http://www.SmallEngineDiscount.com)



# TRACK SUSPENSION 1 SR540E

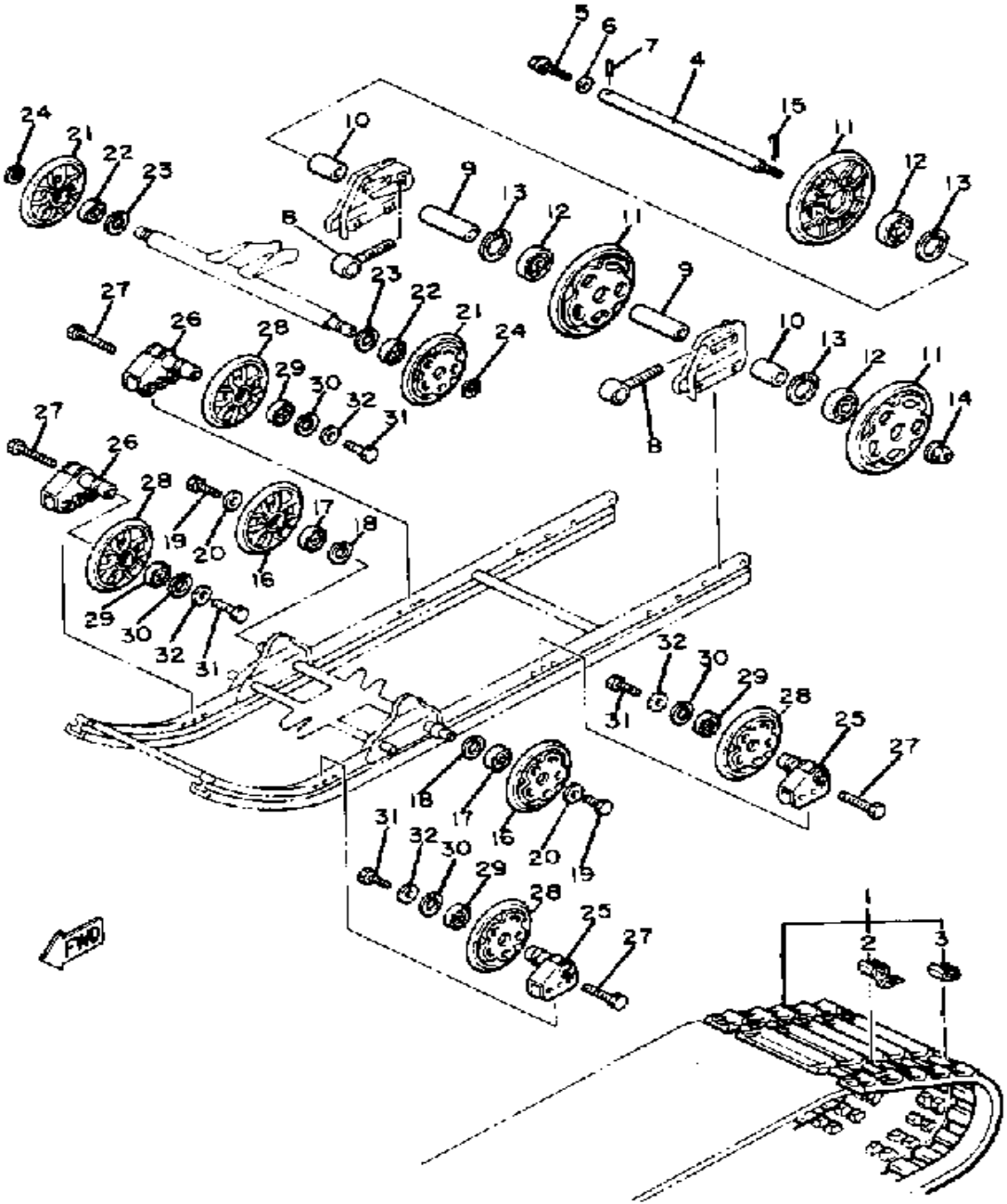


Ref. No.	Part Number	Description	Qty	Remarks
1	87F-47110-01-00	TRACK ASSEMBLY .....	1	
2	8A5-47113-00-00	. PLATE, REINFORCEMENT ..	48	
3	8G9-47115-00-00	. METAL, SLIDE .....	48	
4	8L8-47520-01-00	REAR AXLE COMP. ....	1	
5	95811-12025-00	BOLT, FLANGE .....	1	
6	90201-120A5-00	WASHER, PLATE .....	1	
7	91609-40018-00	PIN, SPRING .....	1	
8	8K2-47479-01-00	COLLAR 3 .....	2	
9	90387-20756-00	COLLAR .....	2	
10	90387-21757-00	COLLAR .....	2	
11	8K2-47530-00-00	GUIDE WHEEL COMP. ....	3	
12	93306-20417-00	BEARING (B62042RS) .....	3	
13	99009-47500-00	CIRCLIP .....	3	
14	95601-14200-00	NUT, SELF LOCKING .....	1	
15	91401-30020-00	PIN, COTTER .....	1	
16	87M-47320-00-00	SUSPENSION WHEEL COMP .	2	
17	93306-00441-00	BEARING (89A) (B6004RS) ...	2	
18	99009-42500-00	CIRCLIP .....	2	
19	90109-08559-00	BOLT .....	2	
20	90201-08681-00	WASHER, PLATE .....	2	
21	87M-47320-00-00	SUSPENSION WHEEL COMP .	2	
22	93306-00441-00	BEARING (89A) (B6004RS) ...	2	
23	99009-42500-00	CIRCLIP .....	2	
24	99009-20400-00	CIRCLIP .....	2	
25	8L8-47418-00-00	BRACKET 4 .....	2	
26	8L8-47419-00-00	BRACKET 7 .....	2	
27	90101-06348-00	BOLT .....	12	
28	87M-47320-00-00	SUSPENSION WHEEL COMP .	4	
29	93306-00441-00	BEARING (89A) (B6004RS) ...	4	

CONTINUED ON NEXT FRAME ►

Not For Resale  
[www.SmallEngineDiscount.com](http://www.SmallEngineDiscount.com)

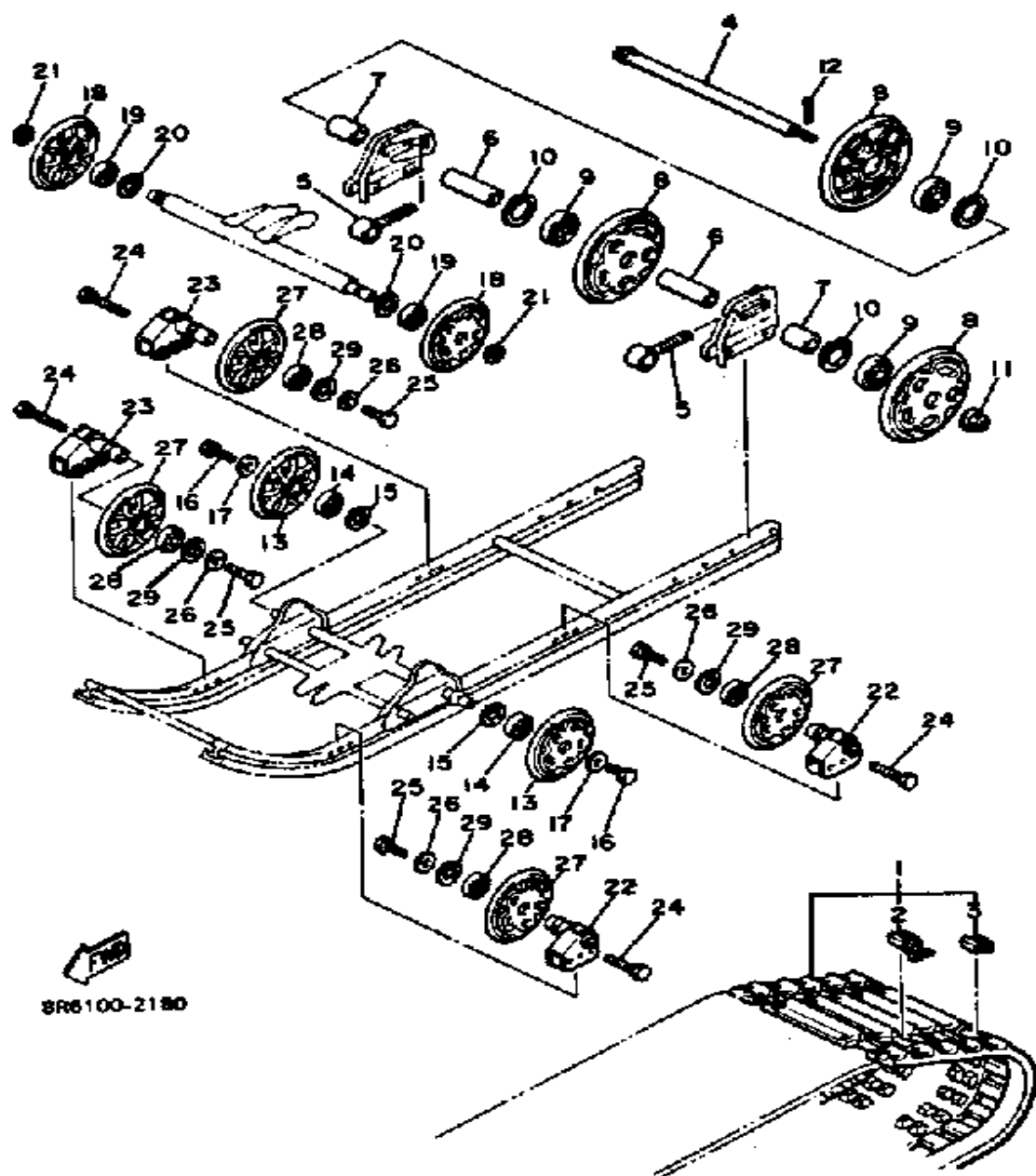
# TRACK SUSPENSION 1 SR540E



Ref. No.	Part Number	Description	Qty	Remarks
30	99009-42500-00	CIRCLIP .....	4	
31	90109-08559-00	BOLT .....	4	
32	90201-08681-00	WASHER, PLATE .....	4	

Not For Resale  
www.SmallEngineDiscount.com

# TRACK SUSPENSION 1 SR540F

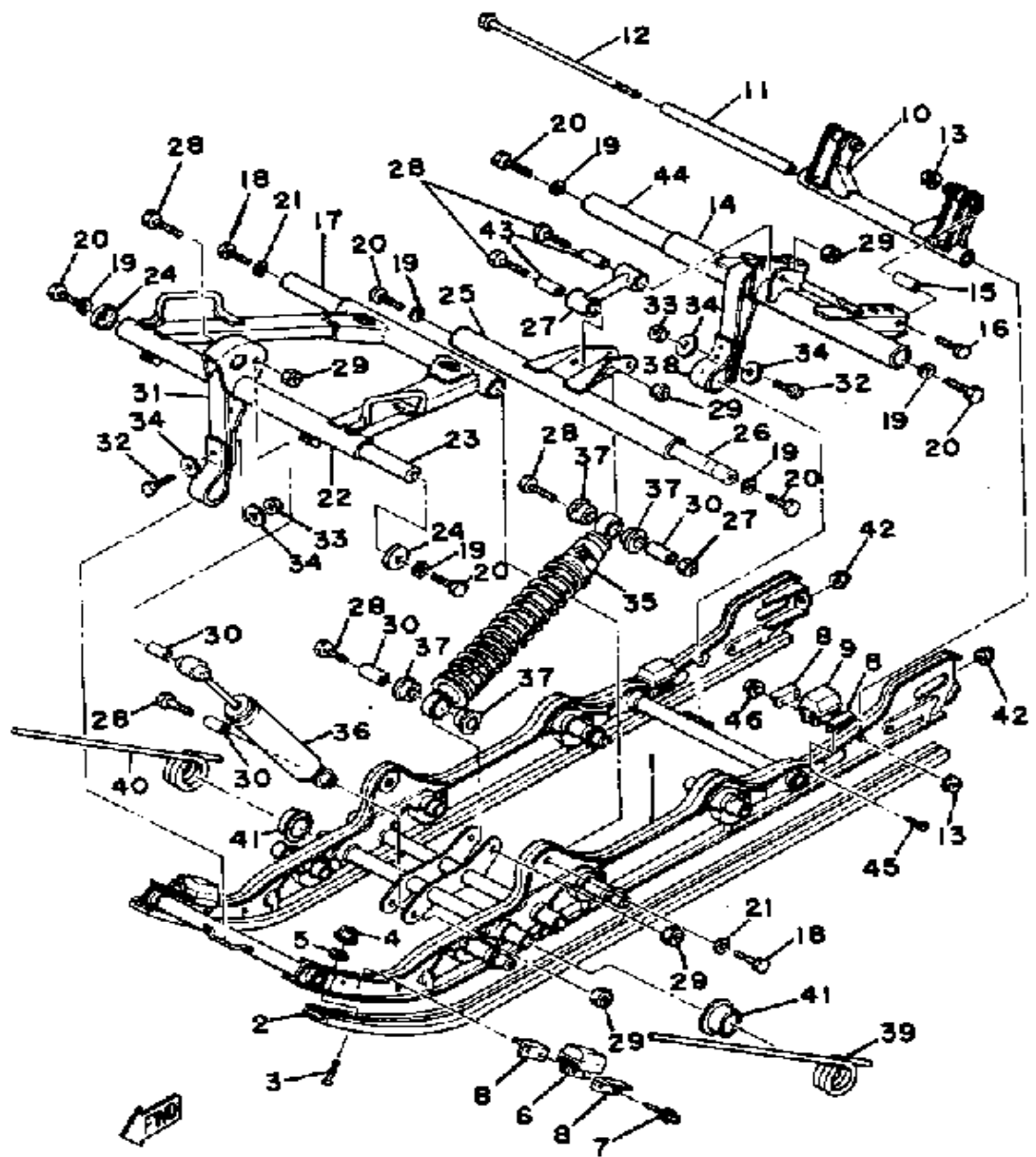


Ref. No.	Part Number	Description	Qty	Remarks
1	87F-47110-01-00	TRACK ASSEMBLY	1	
2	8A5-47113-00-00	. PLATE, REINFORCEMENT	48	
3	8G9-47115-00-00	. METAL, SLIDE	48	
4	8L8-47520-01-00	REAR AXLE COMP.	1	
5	8K2-47479-01-00	COLLAR 3	2	
6	90387-20756-00	COLLAR	2	
7	90387-21757-00	COLLAR	2	
8	8K2-47530-00-00	GUIDE WHEEL COMP.	3	
9	93306-20417-00	BEARING (B62042RS)	3	
10	99009-47500-00	CIRCLIP	3	
11	95601-14200-00	NUT, SELF LOCKING	1	
12	91401-30020-00	PIN, COTTER	1	
13	87M-47320-00-00	SUSPENSION WHEEL COMP	2	
14	93306-00441-00	BEARING (89A) (B6004RS)	2	
15	99009-42500-00	CIRCLIP	2	
16	90109-08559-00	BOLT	2	
17	90201-08681-00	WASHER, PLATE	2	
18	87M-47320-00-00	SUSPENSION WHEEL COMP	2	
19	93306-00441-00	BEARING (89A) (B6004RS)	2	
20	99009-42500-00	CIRCLIP	2	
21	99009-20400-00	CIRCLIP	2	
22	8L8-47418-00-00	BRACKET 4	2	
23	8L8-47419-00-00	BRACKET 7	2	
24	90101-06348-00	BOLT	12	
25	90109-08559-00	BOLT	4	
26	90201-08681-00	WASHER, PLATE	4	
27	87M-47320-00-00	SUSPENSION WHEEL COMP	4	
28	93306-00441-00	BEARING (89A) (B6004RS)	4	
29	99009-42500-00	CIRCLIP	4	

Not For Resale

www.SmallEngineDiscount.com

# TRACK SUSPENSION 2 SR540D



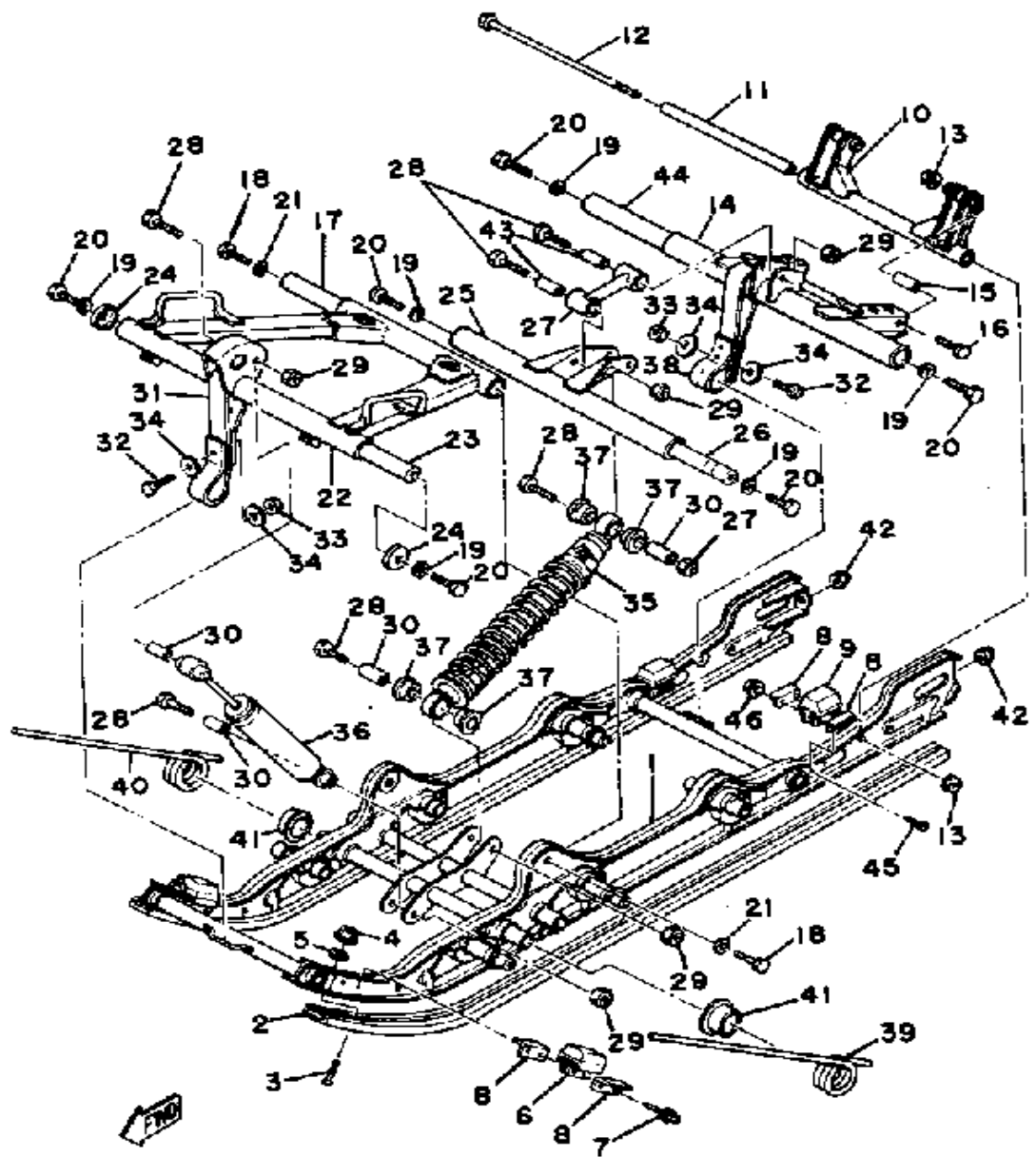
Ref. No.	Part Number	Description	Qty	Remarks
1	8K2-47410-01-00	FRAME SLIDING	1	
2	8K2-47421-00-XX	RUNNER, SLIDING 1	2	
3	92702-08060-00	SCREW, FLAT HEAD	2	
4	95712-08300-00	NUT, FLANGE	2	
5	92990-08200-00	WASHER, PLAIN	2	
6	8K2-47457-00-00	DAMPER 2	2	
7	90267-48062-00	RIVET, BLIND	4	
8	8K2-47458-01-00	PLATE, DAMPER	8	
9	8K2-47456-00-00	DAMPER 1	2	
10	(8K2-47417-00-00)	BRACKET 3	1	
11	90387-08632-00	COLLAR	1	
12	97321-08245-00	BOLT, HEXAGON (97101-08245)	1	
13	95712-08300-00	NUT, FLANGE	3	
14	8K2-47332-01-00	ARM, PIVOT 2	1	
15	90387-08754-00	COLLAR	2	
16	90101-08557-00	BOLT	2	
17	8K2-47485-00-00	SHAFT 3	1	
18	97013-10030-00	BOLT (8J7) (97303-10030)	2	
19	92901-10400-00	WASHER, EX.TOOTH	6	
20	97013-10030-00	BOLT (8J7) (97303-10030)	6	
21	92990-10100-00	WASHER, SPRING	2	
22	8K2-47331-00-00	ARM, PIVOT 1	1	
23	8A5-47465-02-00	SHAFT 1	1	
24	885-47341-00-00	SPACER	2	
25	8K2-47463-00-00	BRACKET 5	1	
26	8K2-47475-00-00	SHAFT 2	1	
27	8K2-47464-00-00	BRACKET 6	1	
28	90101-08557-00	BOLT	6	
29	95712-08300-00	NUT, FLANGE	6	

CONTINUED ON NEXT FRAME ►

Not For Resale

www.SmallEngineDiscount.com

# TRACK SUSPENSION 2 SR540D

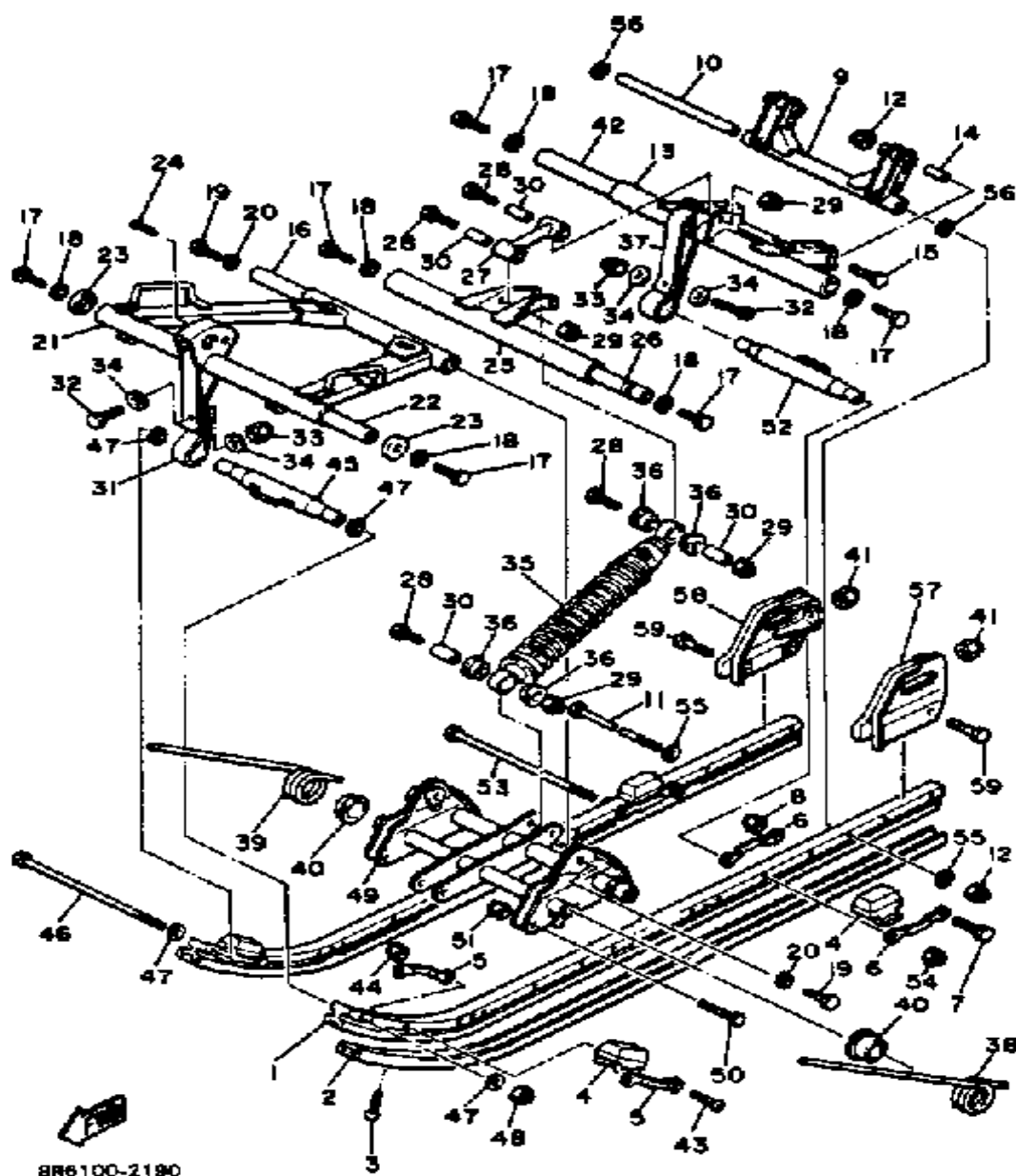


Ref. No.	Part Number	Description	Qty	Remarks
30	90387-08754-00	COLLAR	4	
31	8E3-47495-00-00	STOPPER 1	1	
32	97013-06035-00	BOLT	2	
33	95701-06300-00	NUT, NYLON	2	
34	90201-06407-00	WASHER, PLATE	4	
35	8L8-47480-00-00	SHOCK ABSORBER	1	
36	8K2-47481-01-00	SHOCK ABSORBER 2	1	
37	90387-13758-00	COLLAR	4	
38	(8K2-47495-01-00)	STOPPER 1	1	
39	90508-90408-00	SPRING, TORSION	1	
40	90508-90409-00	SPRING, TORSION	1	
41	90387-30759-00	COLLAR	2	
42	95701-10300-00	NUT, FLANGE	2	
43	90387-08775-00	COLLAR	2	
44	8K2-47465-00-00	SHAFT 1	1	
45	98501-05030-00	SCREW, PAN HEAD	4	
46	95701-05300-00	NUT, NYLON	4	

Not For Resale

[www.SmallEngineDiscount.com](http://www.SmallEngineDiscount.com)

# TRACK SUSPENSION 2 SR540E-F



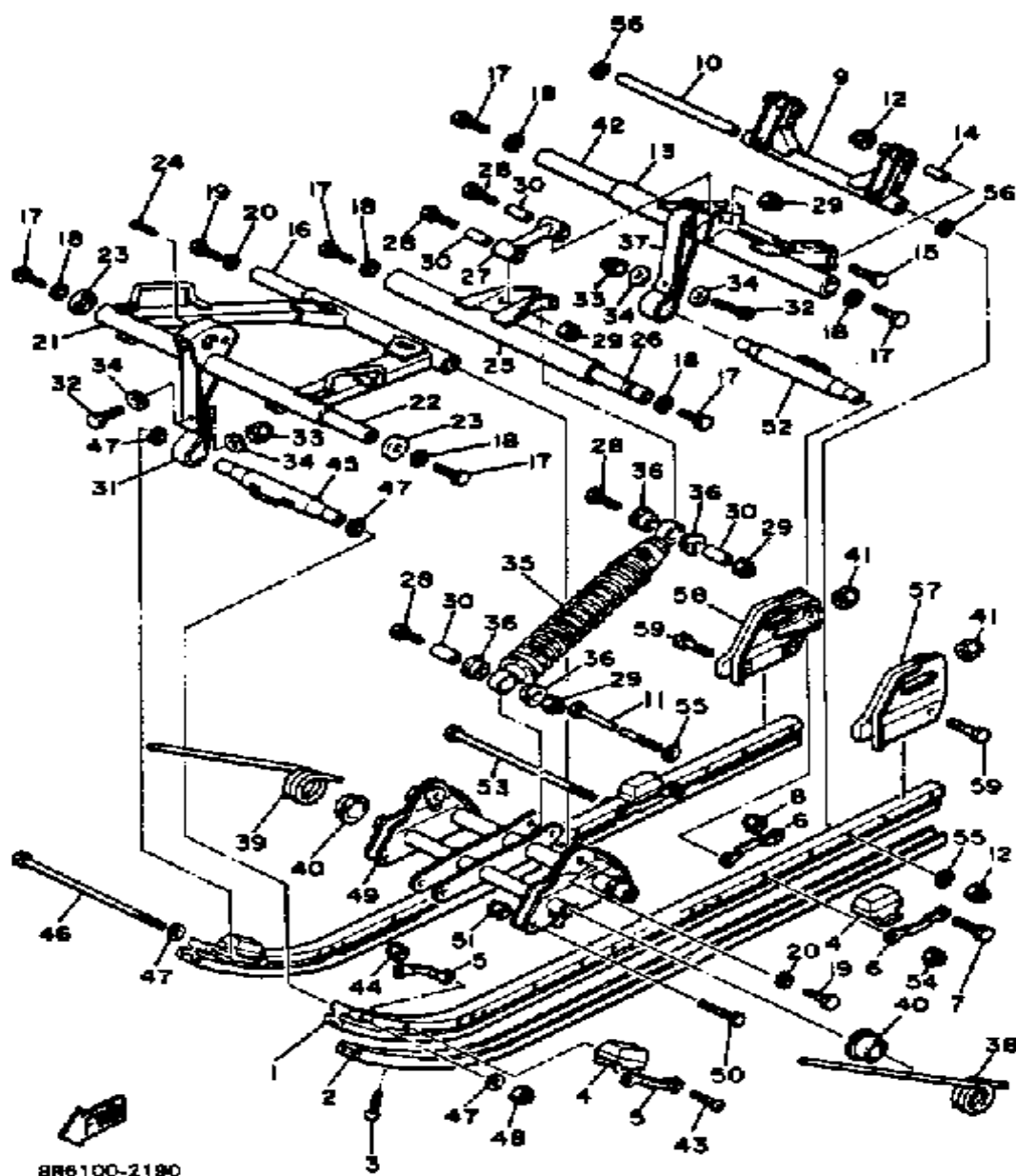
Ref. No.	Part Number	Description	Qty	Remarks
1	8L9-47411-00-00	FRAME, SLIDING 1	2	
2	8R6-47421-00-00	RUNNER, SLIDING 1	2	
3	90151-06010-00	SCREW, COUNTERSUNK	2	
4	8L8-47456-00-00	DAMPER 1	4	
5	885-47458-01-00	PLATE, DAMPER	4	
6	8H8-47458-00-00	PLATE, DAMPER	4	
7	97313-08035-00	BOLT, HEXAGON	2	
8	95712-08300-00	NUT, FLANGE	2	
9	8L8-47417-00-00	BRACKET 3	1	
10	90387-08496-00	COLLAR	1	
11	90101-08374-00	BOLT	1	
12	95712-08300-00	NUT, FLANGE	3	
13	8K2-47332-01-00	ARM, PIVOT 2	1	
14	90387-08754-00	COLLAR	2	
15	90101-08557-00	BOLT	2	
16	82M-47485-01-00	SHAFT 3	1	
17	97013-10030-00	BOLT (8J7) (97303-10030)	6	
18	92901-10400-00	WASHER, EX.TOOTH	6	
19	97013-10030-00	BOLT (8J7) (97303-10030)	2	
20	92990-10100-00	WASHER, SPRING	2	
21	8K2-47331-00-00	ARM, PIVOT 1	1	
22	885-47465-02-00	SHAFT 1	1	
23	885-47341-00-00	SPACER	2	
24	(91402-30045-00)	PIN, COTTER	2	
25	8K2-47463-00-00	BRACKET 5	1	
26	8L8-47475-00-00	SHAFT 2	1	
27	8K2-47464-00-00	BRACKET 6	1	
28	90101-08557-00	BOLT	4	
29	95712-08300-00	NUT, FLANGE	4	

CONTINUED ON NEXT FRAME ►

Not For Resale

www.SmallEngineDiscount.com

# TRACK SUSPENSION 2 SR540E-F



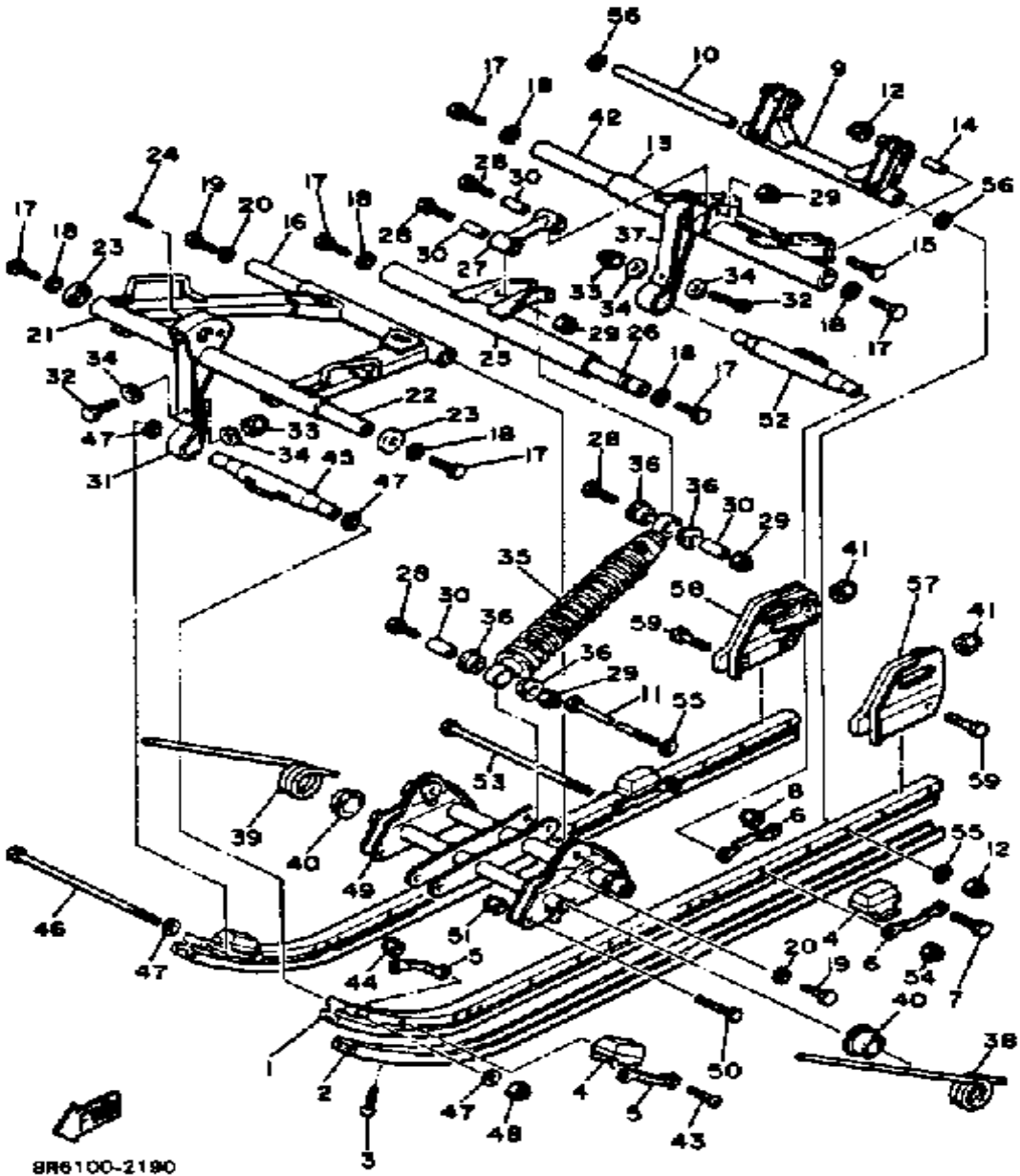
Ref. No.	Part Number	Description	Qty	Remarks
30	90387-08754-00	COLLAR .....	4	
31	888-47495-02-00	STOPPER 1 .....	1	
	8E3-47495-00-00	STOPPER 1 .....	1	
32	97013-06035-00	BOLT .....	2	
33	95701-06300-00	NUT, NYLON .....	2	
34	90201-06407-00	WASHER, PLATE .....	4	
35	8L8-47480-00-00	SHOCK ABSORBER .....	1	
36	90387-13758-00	COLLAR .....	4	
37	888-47495-02-00	STOPPER 1 .....	1	
38	90508-99482-00	SPRING, TORSION .....	1	
39	90508-99483-00	SPRING, TORSION .....	1	
40	90387-30570-00	COLLAR .....	2	
	90387-30759-00	COLLAR .....	2	
41	95701-10300-00	NUT, FLANGE .....	2	
42	8L8-47465-00-00	SHAFT 1 .....	1	
43	98501-05030-00	SCREW, PAN HEAD .....	4	
44	95701-05300-00	NUT, NYLON .....	4	
45	899-47415-00-00	BRACKET 1 .....	1	
46	90101-08374-00	BOLT .....	1	
47	92901-08600-00	WASHER, PLATE .....	4	
48	95712-08300-00	NUT, FLANGE .....	1	
49	(8L9-47416-00-00)	BRACKET 2 .....	1	
50	90101-06348-00	BOLT .....	6	
51	95701-06300-00	NUT, NYLON .....	6	
52	8L8-47469-00-00	COLLAR 1 .....	1	
53	90101-08374-00	BOLT .....	1	
54	95712-08300-00	NUT, FLANGE .....	1	
55	92901-08600-00	WASHER, PLATE .....	2	
56	90201-08649-00	WASHER, PLATE .....	2	

CONTINUED ON NEXT FRAME ►

Not For Resale

www.SmallEngineDiscount.com

# TRACK SUSPENSION 2 SR540E-F



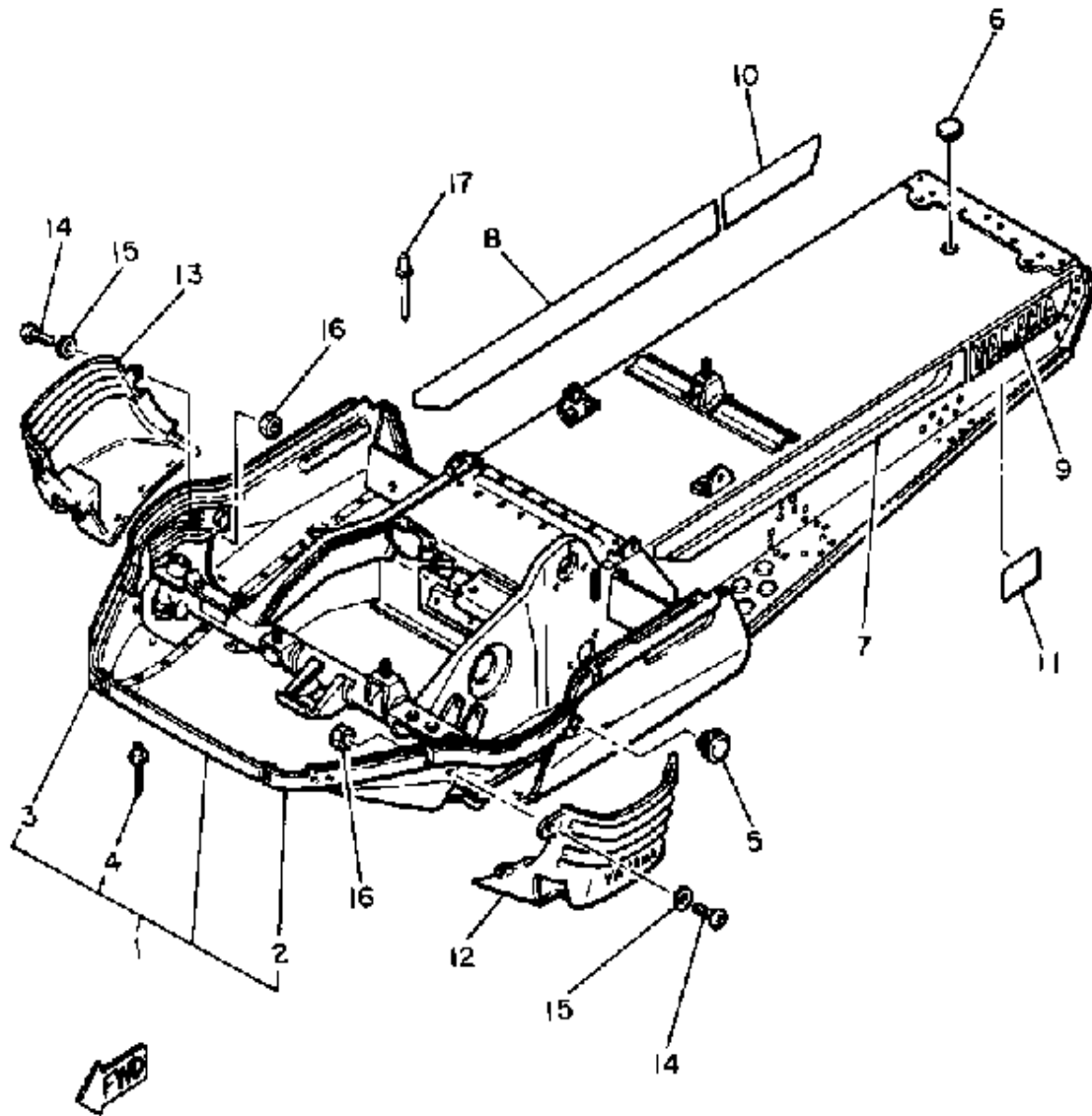
Ref. No.	Part Number	Description	Qty	Remarks
57	8L8-47412-00-00	FRAME, SLIDING 2	1	
58	8L8-47413-00-00	FRAME, SLIDING 3	1	
59	90119-08008-00	BOLT, WITH WASHER	4	

Not For Resale

[www.SmallEngineDiscount.com](http://www.SmallEngineDiscount.com)



# FRAME SR540D

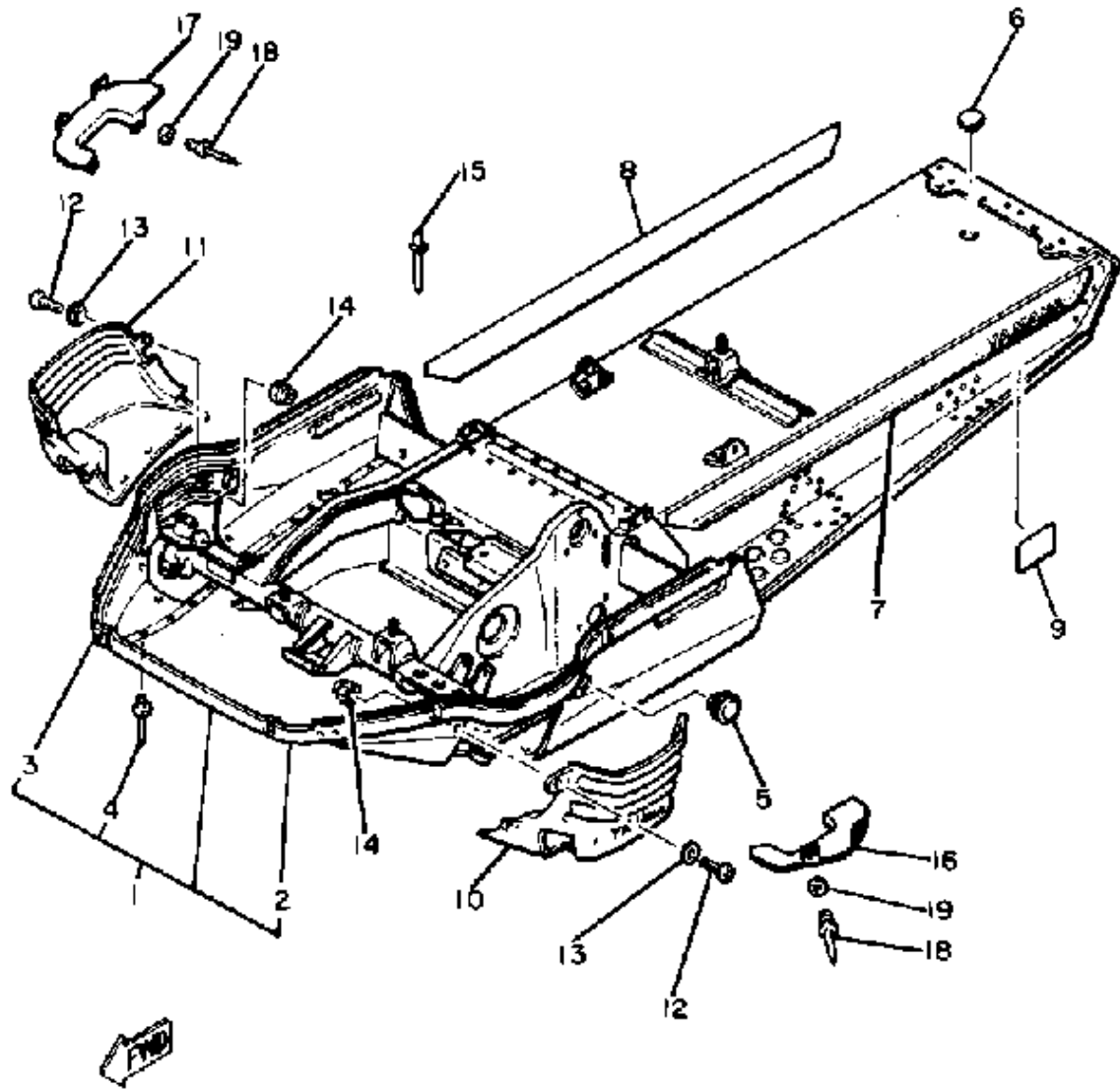


Ref. No.	Part Number	Description	Qty	Remarks
1	(8L0-21910-00-00)	FRAME .....	1	
2	8L0-21982-00-00	. HOOD 1 .....	1	
3	(8L0-21983-00-00)	HOOD 2 .....	1	
4	90267-48060-00	. RIVET, BLIND .....	46	
5	90338-40099-00	PLUG .....	1	
6	810-77716-00-00	ORNAMENT, INSTRUMENT PANEL 2 .....	1	
7	(8L0-77351-00-00)	EMBLEM 1 .....	1	
8	8L0-77352-00-00	EMBLEM 2 .....	1	
9	8L0-77353-00-00	EMBLEM 3 .....	1	
10	8L0-77354-00-00	EMBLEM 4 .....	1	
11	8K2-77742-00-00	INDICATOR 2 .....	1	
12	8L0-2198F-00-00	COVER 1 .....	1	
13	8L0-2198G-00-00	COVER 2 .....	1	
14	90154-05059-00	SCREW, BINDING .....	8	
15	90201-05029-00	WASHER, PLATE .....	8	
16	95701-05300-00	NUT, NYLON .....	8	
17	90267-48059-00	RIVET, BLIND .....	6	

Not For Resale

[www.SmallEngineDiscount.com](http://www.SmallEngineDiscount.com)

# FRAME SR540E

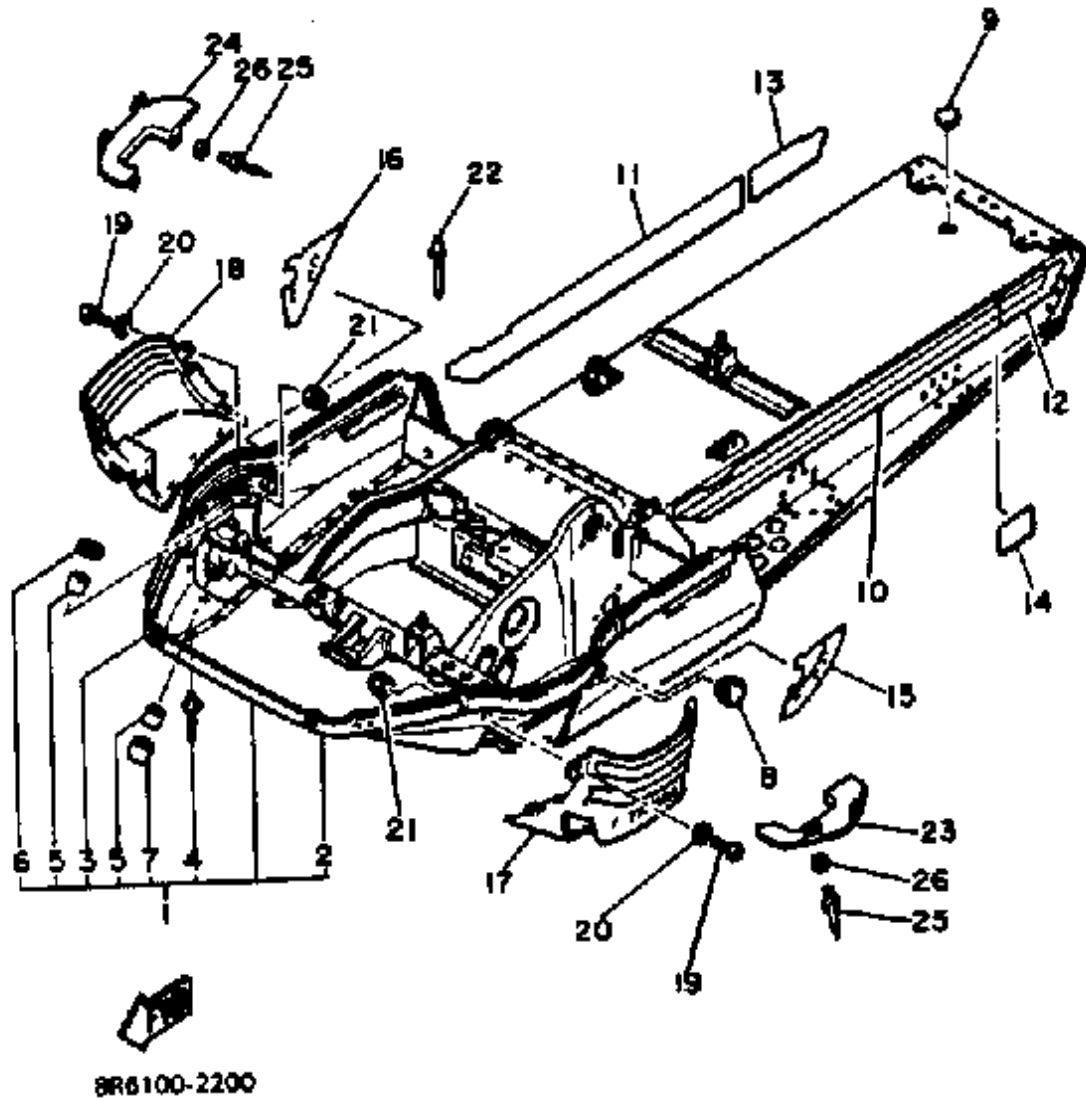


Ref. No.	Part Number	Description	Qty	Remarks
1	(8L9-21910-00-00)	FRAME .....	1	
2	(8L9-21982-01-00)	HOOD 1 .....	1	
3	8L9-21983-01-00	. HOOD 2 .....	1	
4	90267-48053-00	. RIVET, BLIND .....	46	
5	90338-40099-00	PLUG .....	1	
6	810-77716-00-00	ORNAMENT, INSTRUMENT PANEL 2 .....	1	
7	(8L9-77351-00-00)	EMBLEM 1 .....	1	
8	8L9-77352-00-00	EMBLEM 2 .....	1	
9	8K2-77742-00-00	INDICATOR 2 .....	1	
10	8L0-2198F-00-00	COVER 1 .....	1	
11	8L0-2198G-00-00	COVER 2 .....	1	
12	90154-05059-00	SCREW, BINDING .....	8	
13	90201-05029-00	WASHER, PLATE .....	8	
14	95701-05300-00	NUT, NYLON .....	8	
15	90267-48086-00	RIVET, BLIND .....	6	
16	8L9-2199F-00-00	SHIELD, NOISE .....	1	
17	8L9-2199J-00-00	SHIELD, NOISE 2 .....	1	
18	90267-48086-00	RIVET, BLIND .....	8	
19	90201-04325-00	WASHER, PLATE .....	8	

Not For Resale

[www.SmallEngineDiscount.com](http://www.SmallEngineDiscount.com)

# FRAME SR540F



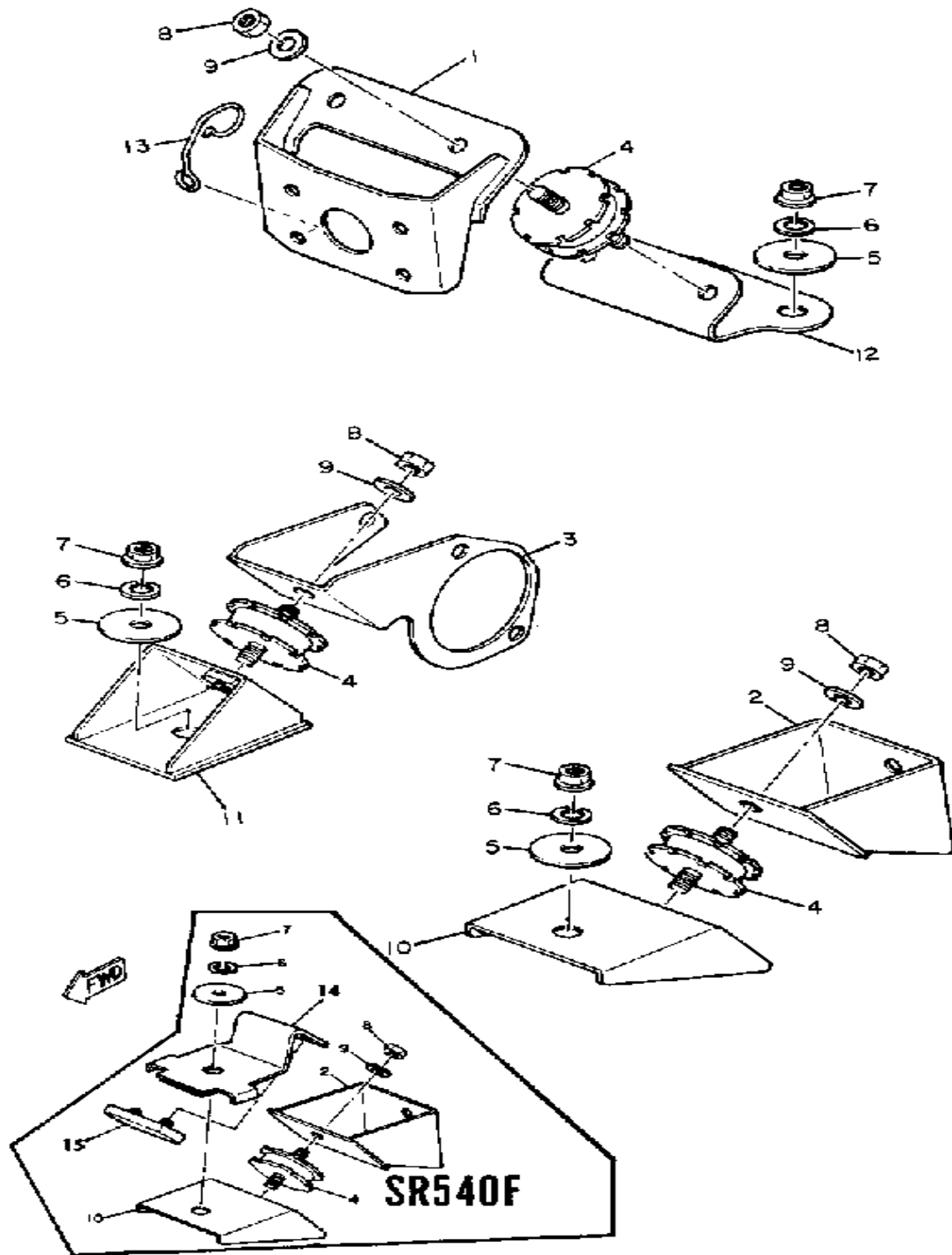
Ref. No.	Part Number	Description	Qty	Remarks
1	8R6-21910-00-00	FRAME .....	1	
2	8R6-21982-00-00	. HOOD 1 .....	1	
3	8R6-21983-00-00	. HOOD 2 .....	1	
4	90267-48060-00	. RIVET, BLIND .....	40	
5	90384-36134-00	. BUSH, BIMETAL FORMED ...	4	
6	93102-36232-00	. OIL SEAL .....	2	
7	93103-36117-00	. OIL SEAL .....	2	
8	90338-40099-00	PLUG .....	1	
9	810-77716-00-00	ORNAMENT, INSTRUMENT PANEL 2 .....	1	
10	(8R6-77351-00-00)	EMBLEM 1 .....	1	
11	(8R6-77352-00-00)	EMBLEM 2 .....	1	
12	(8R6-77353-00-00)	EMBLEM 3 .....	1	
13	8R6-77354-00-00	EMBLEM 4 .....	1	
14	8K2-77742-00-00	INDICATOR 2 .....	1	
15	8R6-77169-00-00	ORNAMENT 3 .....	1	
16	8R6-77113-00-00	ORNAMENT 4 .....	1	
17	8L0-2198F-00-00	COVER 1 .....	1	
18	8L0-2198G-00-00	COVER 2 .....	1	
19	90154-05005-00	SCREW, BINDING .....	8	
20	90201-05029-00	WASHER, PLATE .....	8	
21	95701-05300-00	NUT, NYLON .....	8	
22	90267-48086-00	RIVET, BLIND .....	6	
23	8L9-2199F-00-00	SHIELD, NOISE .....	1	
24	8L9-2199J-00-00	SHIELD, NOISE 2 .....	1	
25	90267-48086-00	RIVET, BLIND .....	8	
26	90201-04325-00	WASHER, PLATE .....	8	

Not For Resale

www.SmallEngineDiscount.com

# ENGINE BRACKET SR540D-E-F

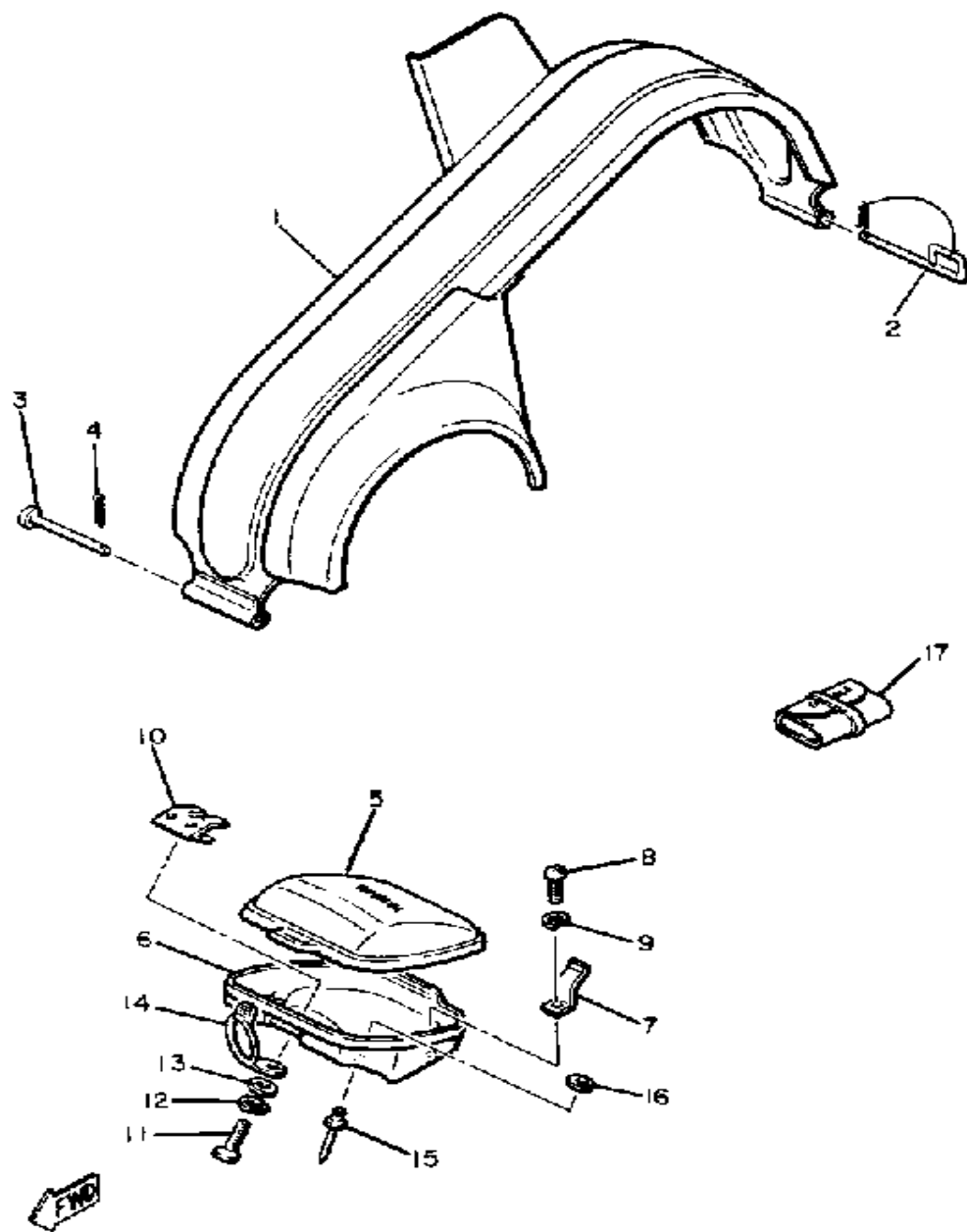
Ref. No.	Part Number	Description	Qty	Remarks
1	8K4-21411-00-00	BRACKET, ENGINE 1	1	
2	8K4-21419-00-00	BRACKET, ENGINE 2	1	
	8R6-21419-00-00	BRACKET, ENGINE 2	1	
3	8K4-21429-00-00	BRACKET, ENGINE 3	1	
4	8K4-21486-00-00	DAMPER 2	4	
	8N8-21486-00-00	DAMPER 2	4	
5	90201-10321-00	WASHER, PLATE	4	
6	92990-10100-00	WASHER, SPRING	4	
7	95701-10500-00	NUT, FLANGE	4	
8	95303-10600-00	NUT	4	
9	92990-10600-00	WASHER, PLATE	4	
10	8H8-21417-01-00	BRACKET, FRT LWR 1	1	
11	8H8-21418-01-00	BRACKET, FRONT LOWER 2	1	
12	8K4-21427-00-00	BRACKET, REAR LWR 1	1	
13	90465-06100-00	CLAMP	1	
14	8R6-2149E-00-00	STOPPER	1	
15	8R6-2140A-00-00	DAMPER, STOPPER	1	



Not For Resale

[www.SmallEngineDiscount.com](http://www.SmallEngineDiscount.com)

# GUARD - LUGGAGE BOX SR540D-E

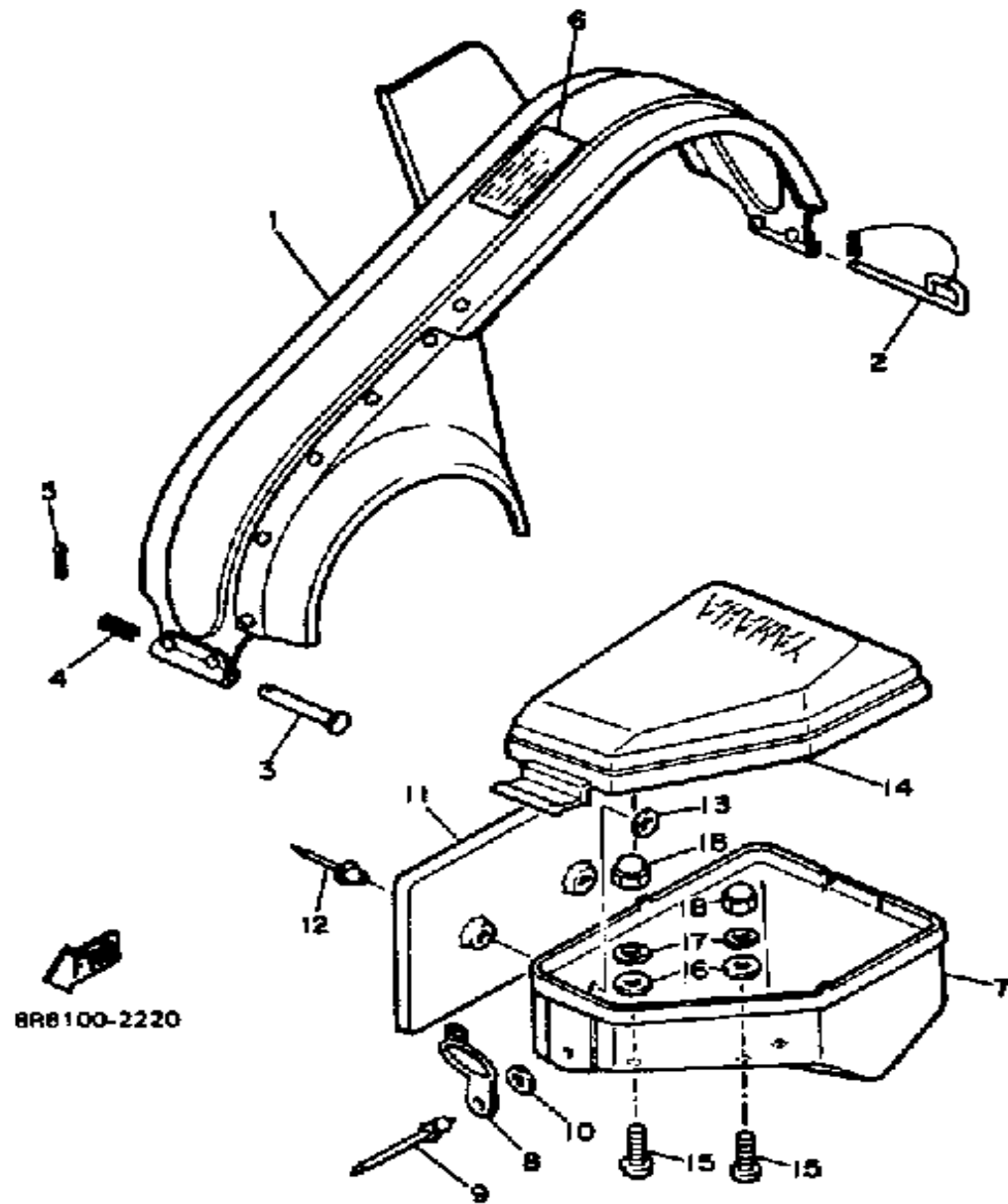


Ref. No.	Part Number	Description	Qty	Remarks
1	8L0-77311-01-00	GUARD, DRIVE (8L0-77311-00)	1	
2	8F3-77327-00-00	SHAFT .....	1	
3	91701-06082-00	PIN, CLEVIS .....	1	
4	90468-18008-00	CLIP .....	1	
5	1T4-2177E-00-00	LID .....	1	
6	1T4-2177A-00-00	BOX .....	1	
7	(8H9-21945-00-00)	BRACKET, TL BX FTNG .....	2	
8	98503-06014-00	SCREW, PAN HEAD (92501-06015) .....	2	
9	92995-06100-00	WASHER, SPRING .....	2	
10	8H9-77376-00-00	BRACKET, SPARK PLUGPLUG	1	
11	98503-06014-00	SCREW, PAN HEAD (92501-06015) .....	1	
12	92995-06100-00	WASHER, SPRING .....	1	
13	92901-06600-00	WASHER .....	1	
14	8K4-77386-00-00	HOOK 1 .....	1	
15	90267-48086-00	RIVET, BLIND .....	1	
16	90201-04325-00	WASHER, PLATE .....	1	
17	8G6-28100-00-00	TOOL KIT (8G6-28100-10) .....	1	

Not For Resale

www.SmallEngineDiscount.com

# GUARD - LUGGAGE BOX SR540F

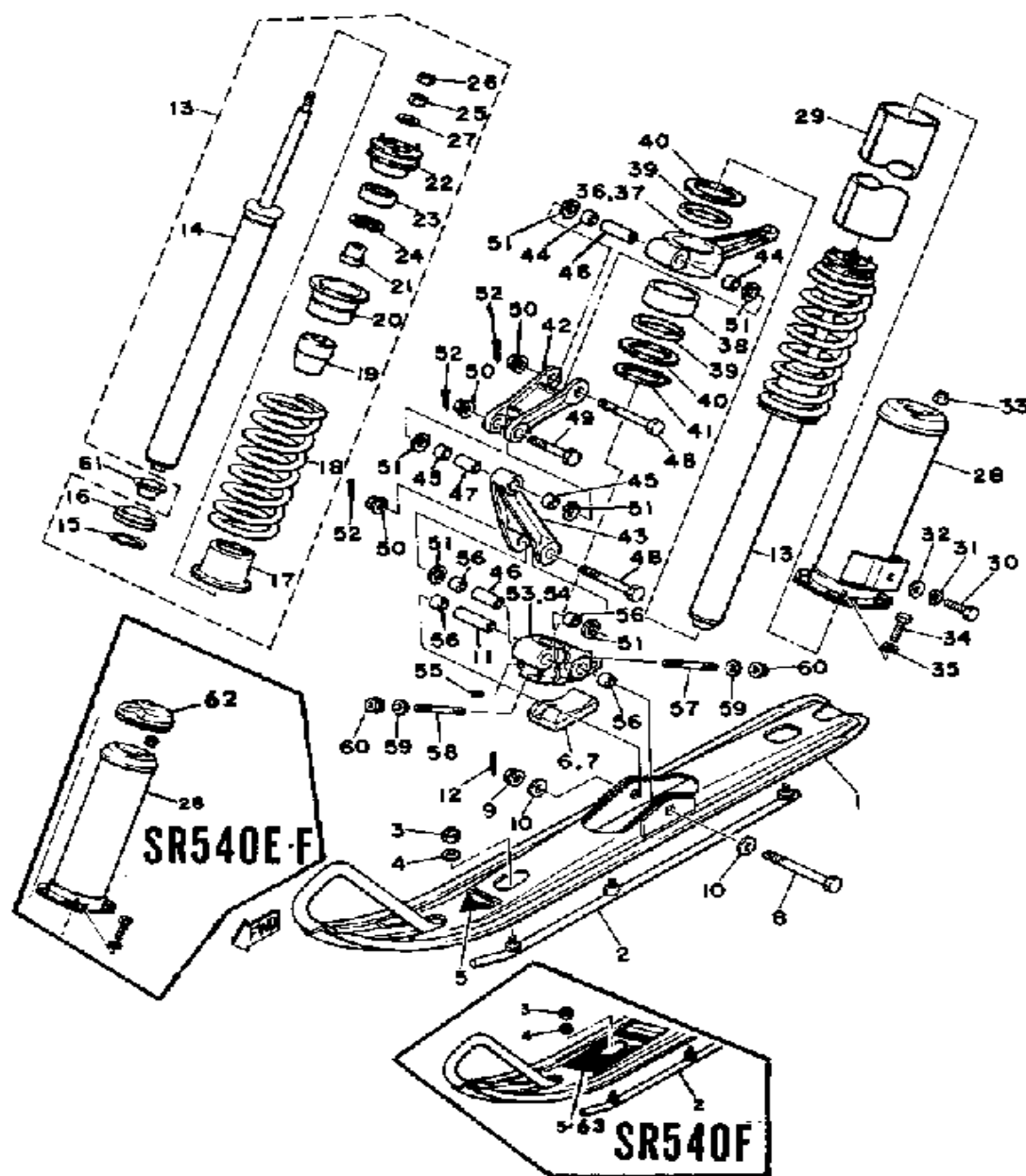


Ref. No.	Part Number	Description	Qty	Remarks
1	8R6-77311-02-00	GUARD, DRIVE .....	1	
2	8F3-77327-00-00	SHAFT .....	1	
3	91701-06082-00	PIN, CLEVIS .....	1	
4	90501-08661-00	SPRING, COMPRESSION .....	1	
5	90468-18008-00	CLIP .....	1	
6	8R6-77761-00-00	LABEL, WARNING 1 .....	1	
7	8N8-77381-00-00	BOX, TOOL .....	1	
8	8K4-77386-00-00	HOOK 1 .....	1	
9	90267-48086-00	RIVET, BLIND .....	1	
10	90201-04325-00	WASHER, PLATE .....	1	
11	8N8-77373-00-00	PROTECTOR .....	1	
12	90267-48079-00	RIVET, BLIND .....	2	
13	90201-04325-00	WASHER, PLATE .....	2	
14	8N8-77382-00-00	LID, TOOL BOX .....	1	
15	98906-06014-00	SCREW, BIND .....	3	
16	90201-06067-00	WASHER, PLATE .....	3	
17	92906-06100-00	WASHER, SPRING .....	3	
18	95306-06800-00	NUT .....	3	

Not For Resale

[www.SmallEngineDiscount.com](http://www.SmallEngineDiscount.com)

# SKI SR540D-E-F



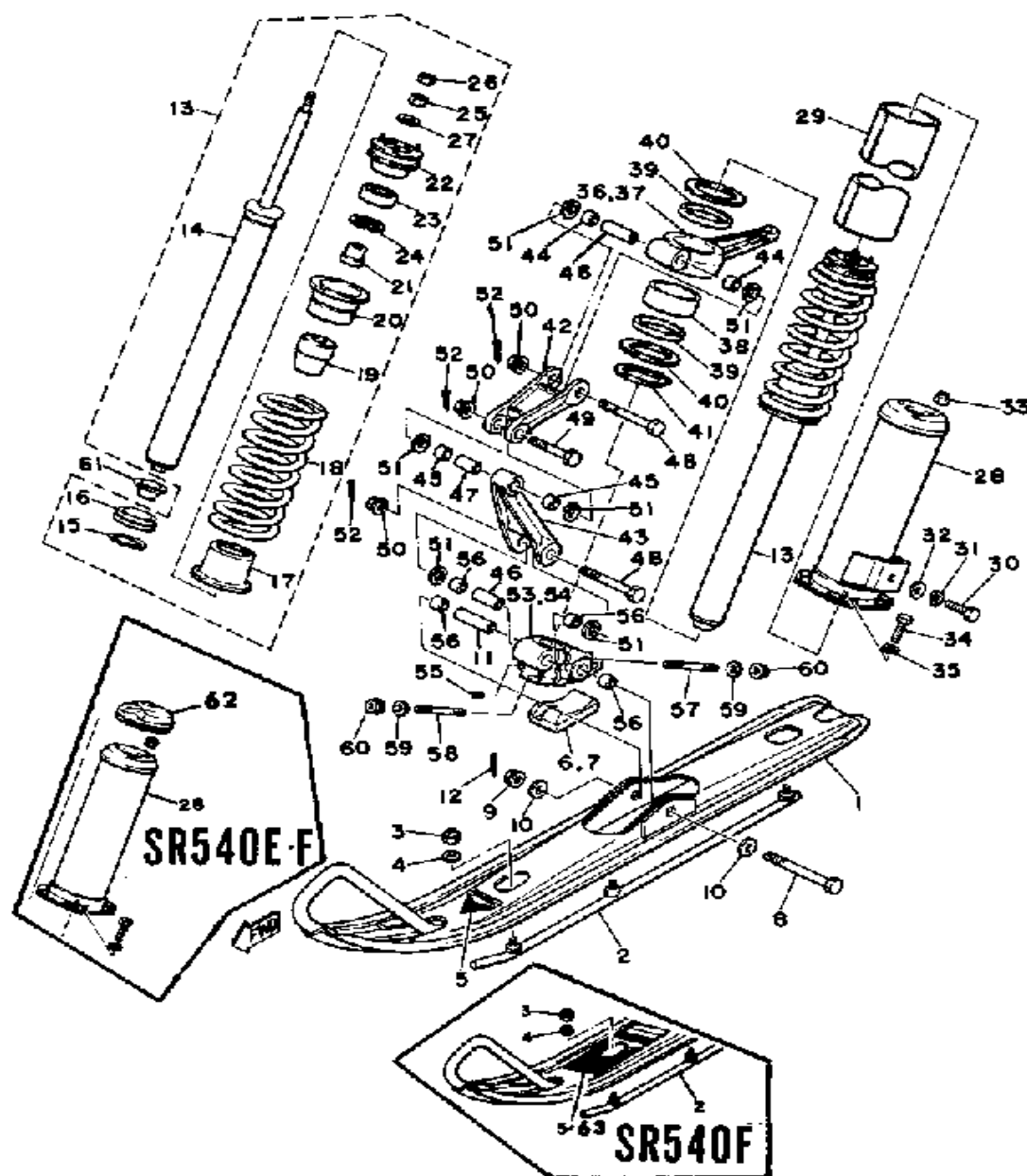
Ref. No.	Part Number	Description	Qty	Remarks
1	8L0-23710-00-00	SKI 1	2	
2	888-23731-01-XX	SKI RUNNER, 1	2	
3	95611-08100-00	NUT, U	6	
4	92901-08600-00	WASHER, PLATE	6	
5	(8L0-77365-00-00) 8R6-77365-00-00	EMBLEM 0	2	
6	8L0-23743-01-00	STOPPER 1	1	
7	8L0-23744-01-00	STOPPER 2	1	
8	90102-10040-00	BOLT, WITH HOLE	2	
9	95706-10300-00	NUT, NYLON	2	
10	92906-10600-00	WASHER	4	
11	90387-10090-00	COLLAR	2	
12	91490-20020-00	PIN, COTTER (91401-20020-00)	2	
13	(8L0-2376A-00-00) 8L9-2376A-00-00	ABSORBER ASSEMBLY 1	2	
14	(8L0-22401-00-00) 8L9-22401-00-00	DAMPER SUB-ASSEMBLY.	1	
15	90468-15098-00 93440-36087-00	. CLIP . CIRCLIP, OUTER	1	
16	(8L0-23768-00-00) (8L9-23768-00-00)	SEAT, SPRING 1	1	
17	8L0-23777-00-00 8L9-23777-00-00	. SEAT, SPRING 2	1	
18	90501-70584-00 90501-75612-00	. SPRING, COMPRESSION	1	
19	8L0-22493-00-00	. BUMP, STOP	1	
20	8L0-23788-00-00	. PLATE, BACK UP	1	
21	90387-100A5-00	. COLLAR	1	
22	8L0-2376H-00-00	. HOLDER, BEARING	1	

CONTINUED ON NEXT FRAME ►

Not For Resale

www.SmallEngineDiscount.com

# SKI SR540D-E-F



Ref. No.	Part Number	Description	Qty	Remarks
23	93306-20226-00	. BEARING .....	1	
24	99009-35500-00	. CIRCLIP .....	1	
25	90170-08220-00	. NUT .....	1	
	95333-08600-00	. NUT .....	1	
26	95303-08700-00	. NUT .....	1	
	95333-08600-00	. NUT .....	1	
27	90201-08107-00	. WASHER, PLATE .....	1	
28	8L0-2376J-00-00	HOLDER, ABSORBER .....	2	
	8L9-2376J-00-00	HOLDER, ABSORBER .....	2	
29	8L0-2376R-00-00	PROTECTOR .....	2	
30	97313-08018-00	BOLT, HEXAGON .....	2	
31	92990-08100-00	WASHER, SPRING .....	2	
32	92990-08200-00	WASHER, PLAIN .....	2	
33	95601-06100-00	NUT, U .....	6	
34	97011-06020-00	BOLT .....	8	
35	92995-06100-00	WASHER, SPRING .....	8	
36	(8L0-23851-00-00)	ARM, OUTSIDE 1 .....	1	
	8L9-23851-00-00	ARM, OUTSIDE 1 .....	1	
37	8L0-23852-00-00	ARM, OUTSIDE 2 .....	1	
	8L9-23852-00-00	ARM, OUTSIDE 2 .....	1	
38	(90384-50092-00)	BUSH, BIMETAL FORM .....	2	
	90384-53175-00	BUSH, BIMETAL FORMED .....	2	
39	93210-49046-00	O-RING .....	4	
	93210-49296-00	O-RING .....	4	
	93210-52312-00	O-RING .....	4	
40	90201-50798-00	WASHER, PLATE .....	4	
	90201-536A1-00	WASHER, PLATE (T=1.0) .....	4	
41	93410-35027-00	CIRCLIP, S-TYPE (S-35) .....	2	
	93410-52061-00	CIRCLIP .....	2	

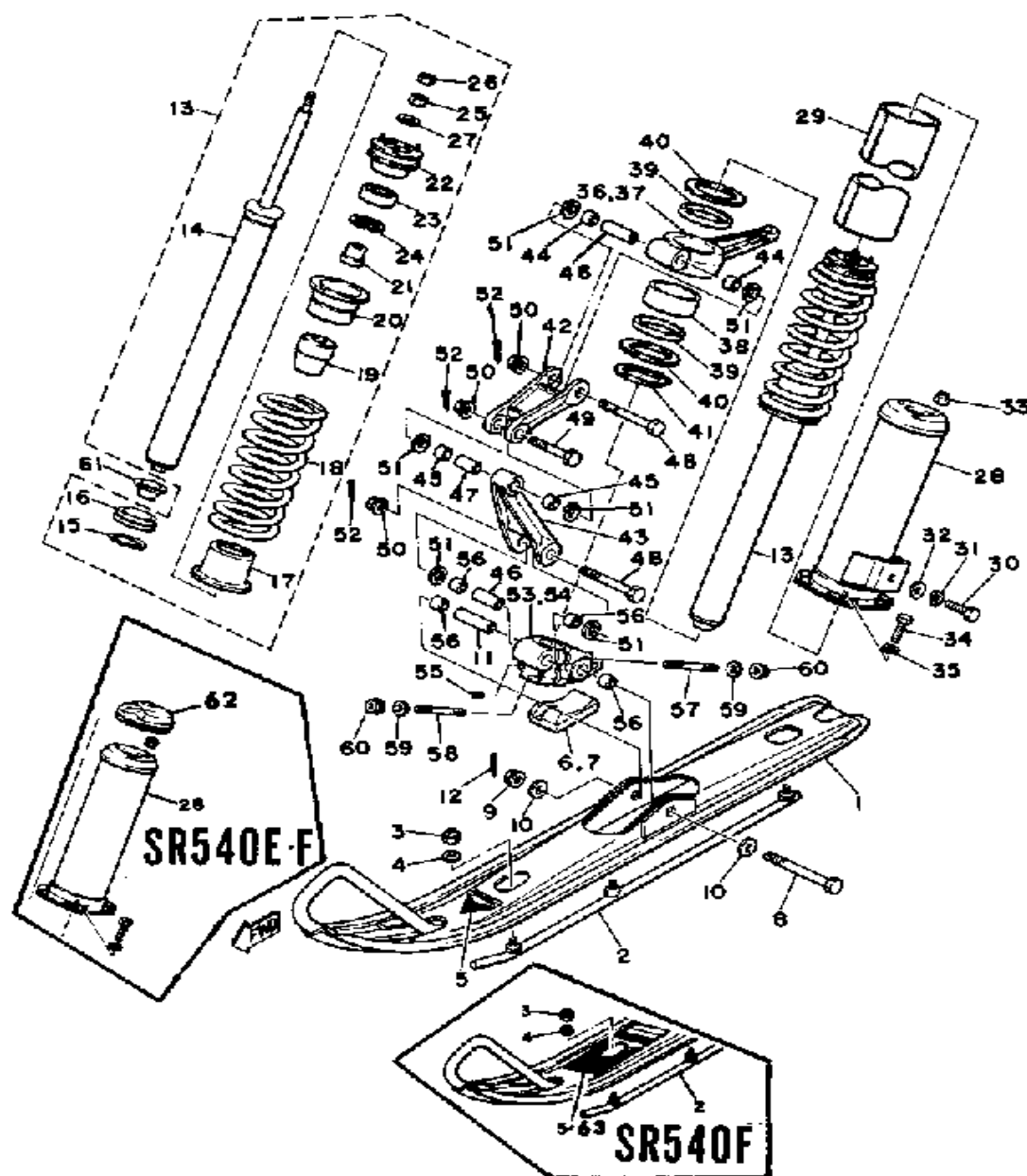
CONTINUED ON NEXT FRAME ►

Not For Resale

www.SmallEngineDiscount.com



# SKI SR540D-E-F

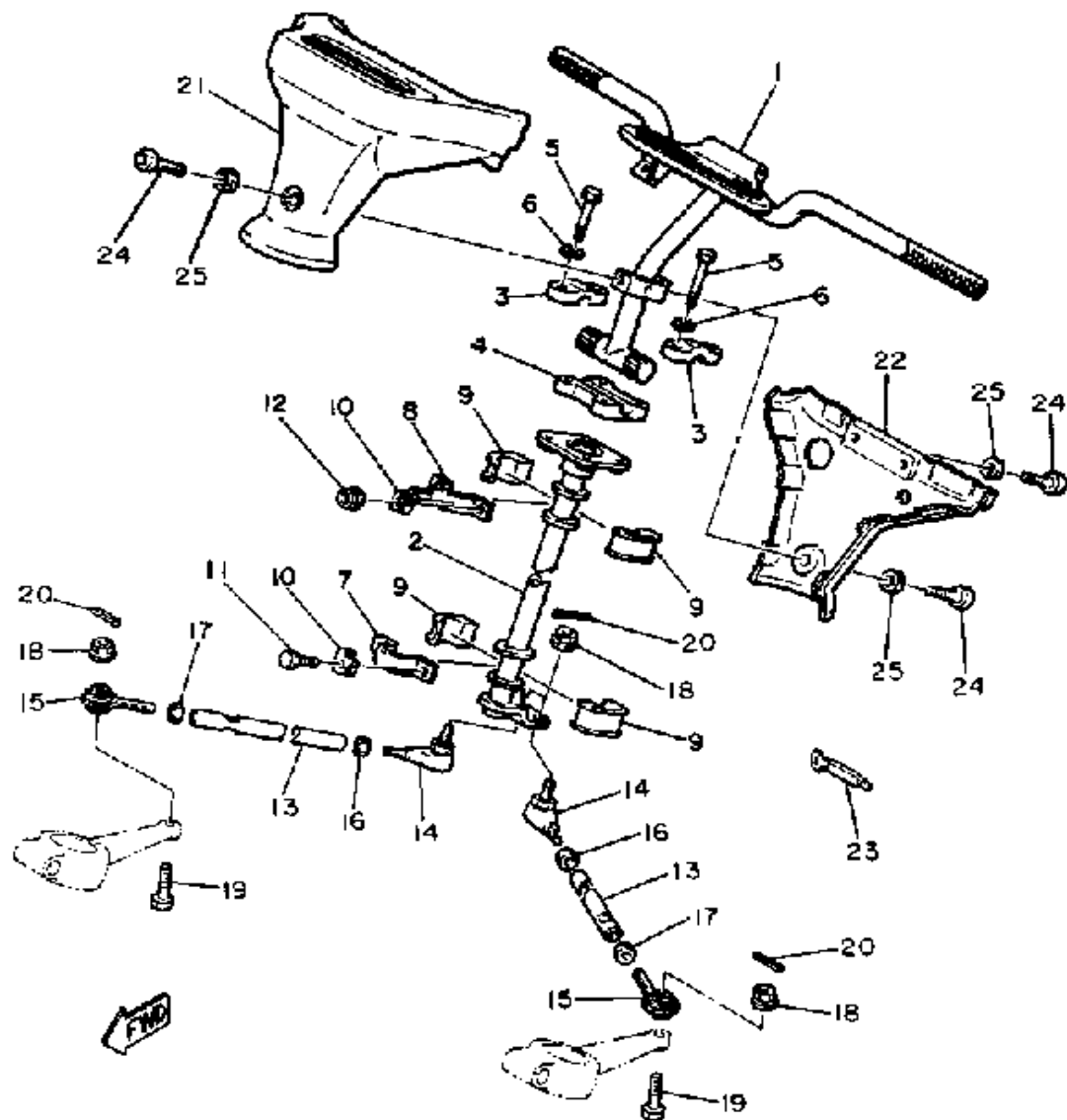


Ref. No.	Part Number	Description	Qty	Remarks
42	8L0-2382E-01-00	ARM, FRONT 1	2	
43	8L0-2382F-00-00	ARM, FRONT 2	2	
44	90384-14091-00	BUSH, BIMETAL FORMED	4	
45	90384-14096-00	BUSH, BIMETAL FORMED	4	
46	90387-101Y9-00	COLLAR	4	
47	90387-100A4-00	COLLAR	2	
48	90102-10039-00	BOLT, WITH HOLE	4	
49	90102-10038-00	BOLT, WITH HOLE	2	
50	95706-10300-00	NUT, NYLON	6	
51	90202-14037-00	WASHER, PLATE	12	
52	91490-20020-00	PIN, COTTER (91401-20020-00)	6	
53	8L9-2376E-00-00	BRACKET, 1 (L.H)	1	
54	8L9-2377E-00-00	BRACKET 2 (R.H)	1	
55	90113-06039-00	BOLT, SET	2	
56	90384-14091-00	BUSH, BIMETAL FORMED	8	
57	90116-08323-00	BOLT, STUD	2	
58	95611-08640-00	BOLT, STUD	2	
59	92901-08600-00	WASHER, PLATE	4	
60	95712-08300-00	NUT, FLANGE	4	
61	8L0-23741-00-00	CAP 1	2	
62	8M6-77553-00-00	PROTECTOR 3	2	
63	8R6-77366-00-00	EMBLEM 1	1	

Not For Resale

www.SmallEngineDiscount.com

# STEERING SR540D

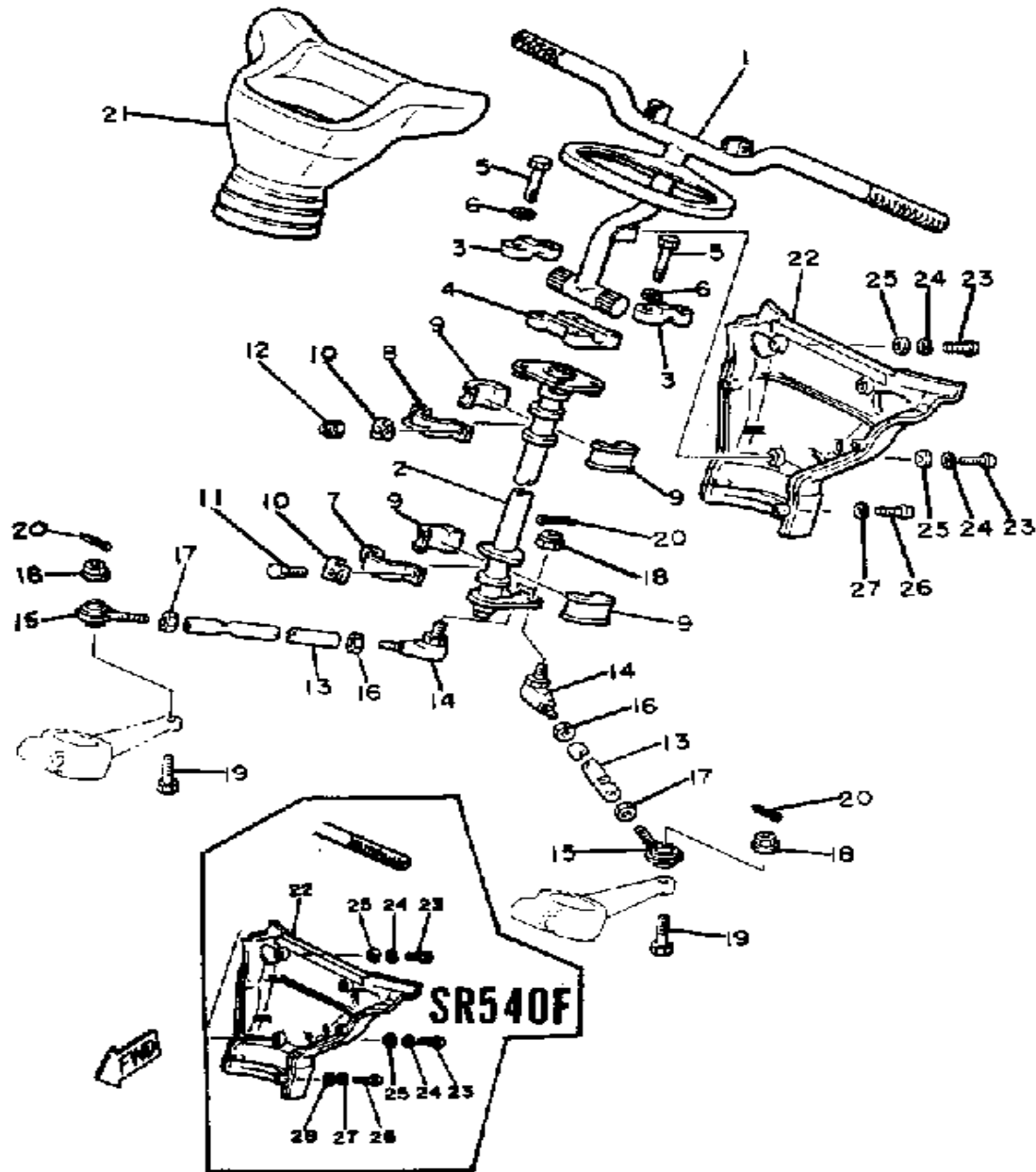


Ref. No.	Part Number	Description	Qty	Remarks
1	(8K4-23811-01-00)	COLUMN, STEERING .....	1	
2	8K4-23813-01-00	COLUMN, steering 2 (8K4-23813-00) .....	1	
3	1E6-23441-00-00	HOLDER, HANDLE UPPER ...	2	
4	164-23441-00-38	HOLDER HANDLE UPR .....	1	
5	97321-08055-00	BOLT, HEXAGON .....	4	
6	92990-08100-00	WASHER, SPRING .....	4	
7	84M-23868-00-00	BRACKET, STEERING LOWER	1	
8	84M-23872-00-00	HOLDER, BEARING .....	1	
9	8F3-23812-00-00	PANEL BEARING, STEERING .	4	
10	90215-08143-00	WASHER, LOCK .....	4	
11	97313-08016-00	BOLT, HEXAGON .....	2	
12	95712-08300-00	NUT, FLANGE .....	2	
13	8L0-23821-00-00	ROD, STEERING RELAY .....	2	
14	86X-23841-00-00	JOINT, UNIVERSAL 1 .....	2	
15	87S-23847-00-00	JOINT, UNIVERSAL 3 .....	2	
16	95303-10700-00	NUT .....	2	
17	90170-10186-00	NUT .....	2	
18	95701-10300-00	NUT, FLANGE .....	4	
19	90102-10031-00	BOLT, WITH HOLE (90102-10059) .....	2	
20	91490-20020-00	PIN, COTTER (91401-20020-00)	4	
21	(8K4-23815-01-00)	PAD, STEERING .....	1	
22	(8K4-23817-01-00)	PAD, STEERING .....	1	
23	25G-83936-01-00	BAND, SWITCH CORD .....	1	
24	98906-05016-00	SCREW, BIND .....	4	
25	90387-06794-00	COLLAR .....	4	

Not For Resale

www.SmallEngineDiscount.com

# STEERING SR540E-F



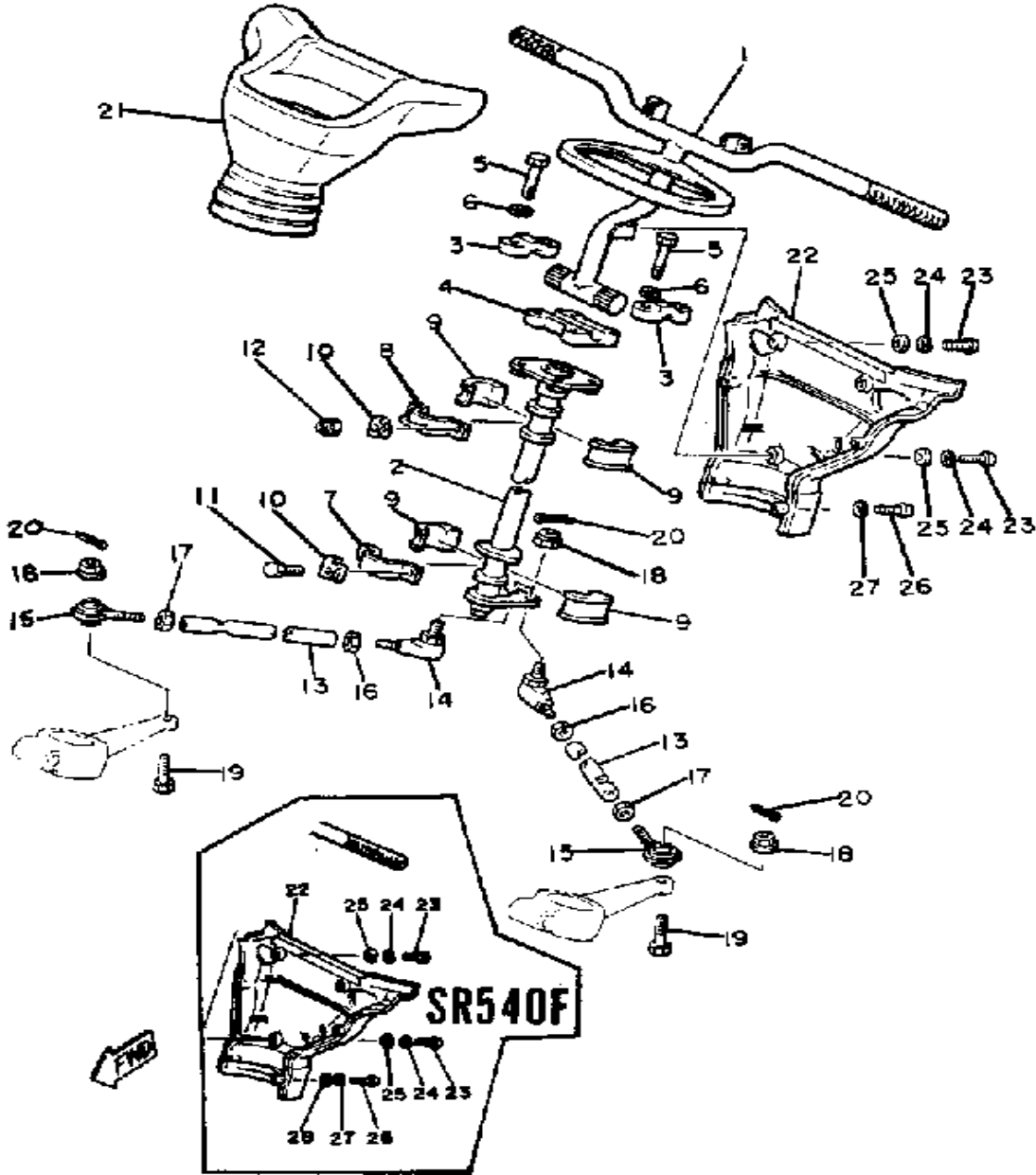
Ref. No.	Part Number	Description	Qty	Remarks
1	81R-23811-00-00	COLUMN, STEERING	1	
2	8L8-23813-00-00	COLUMN, STEERING 2	1	
3	1E6-23441-00-00	HOLDER, HANDLE UPPER	2	
4	164-23441-00-98	HOLDER, HANDLE UPPER	1	
5	97321-08055-00	BOLT, HEXAGON	4	
6	92990-08100-00	WASHER, SPRING	4	
7	84M-23868-00-00	BRACKET, STEERING LOWER	1	
8	84M-23872-00-00	HOLDER, BEARING	1	
9	8F3-23812-00-00	PANEL BEARING, STEERING	4	
10	90215-08262-00	WASHER, LOCK	4	
11	97313-08016-00	BOLT, HEXAGON	2	
12	95712-08300-00	NUT, FLANGE	2	
13	8L0-23821-00-00	ROD, STEERING RELAY	2	
14	86X-23841-00-00	JOINT, UNIVERSAL 1	2	
15	87S-23847-00-00	JOINT, UNIVERSAL 3	2	
16	95303-10700-00	NUT	2	
17	90170-10186-00	NUT	2	
18	95701-10300-00	NUT, FLANGE	4	
19	90102-10031-00	BOLT, WITH HOLE (90102-10059)	2	
20	91490-20020-00	PIN, COTTER (91401-20020-00)	4	
21	8L8-23815-01-00	PAD, STEERING	1	
22	8L8-23817-00-00	PAD, STEERING	1	
	99999-01429-00	PAD KIT (8L8-23817-01)	1	
23	98516-05012-00	SCREW, PAN HEAD 4CG	3	
24	92906-05100-00	WASHER, SPRING	3	
25	90201-05721-00	WASHER, PLATE	3	
	92906-05600-00	WASHER, PLATE	3	
26	98506-04010-00	SCREW, PAN HEAD	4	

CONTINUED ON NEXT FRAME ►

Not For Resale

www.SmallEngineDiscount.com

# STEERING SR540E-F

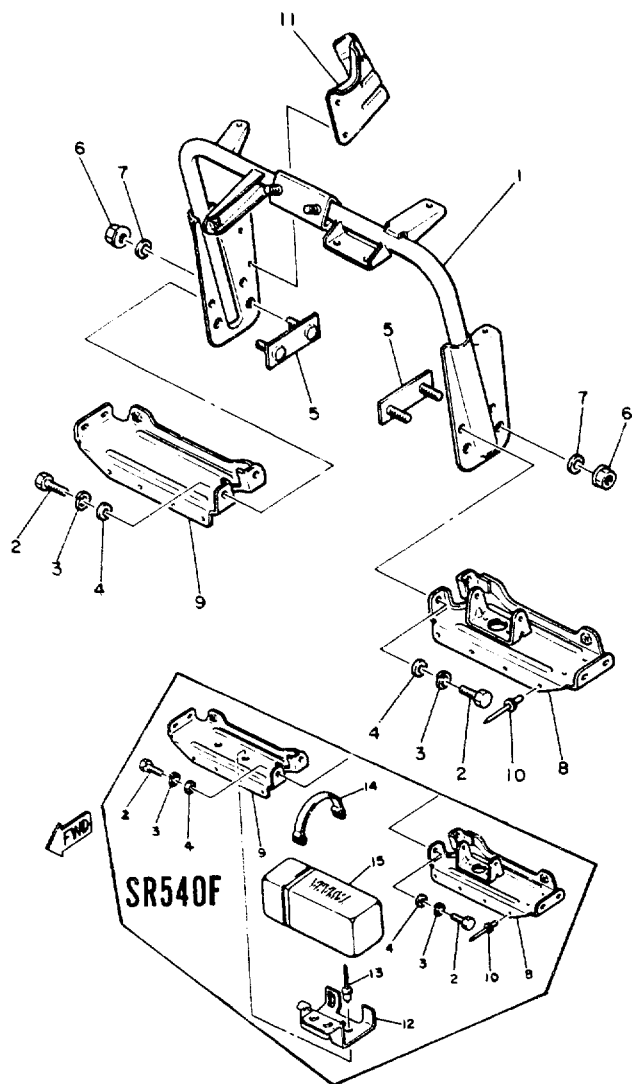


Ref. No.	Part Number	Description	Qty	Remarks
27	92906-04100-00	WASHER, SPRING .....	4	
28	92906-04600-00	WASHER, PLATE .....	4	

Not For Resale

[www.SmallEngineDiscount.com](http://www.SmallEngineDiscount.com)

# STEERING GATE SR540D-E-F

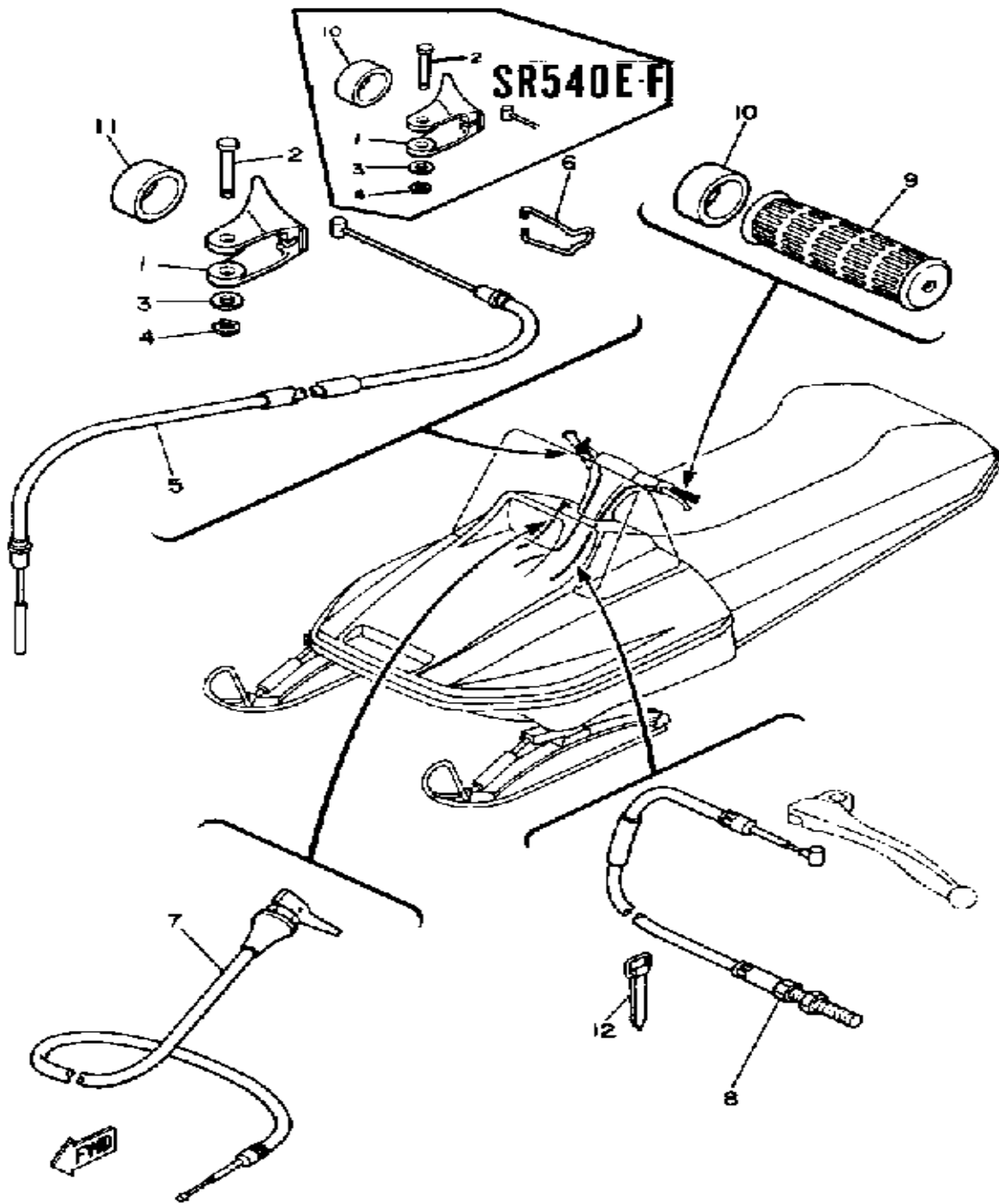


Ref. No.	Part Number	Description	Qty	Remarks
1	8K4-23871-00-00	GATE, STEERING	1	
2	97016-06016-00	BOLT (1KG)	4	
3	92906-06100-00	WASHER, SPRING	4	
4	92906-06200-00	WASHER	4	
5	(8K4-23878-00-00)	BRACKET 0	2	
6	95716-08300-00	NUT, FLANGE	4	
7	92906-08200-00	WASHER	4	
8	(8K4-23883-00-00)	BRACKET 3	1	
	8L8-23883-00-00	BRACKET 3	1	
9	(8K4-23884-00-00)	BRACKET 4	1	
	8L8-23884-00-00	BRACKET 4	1	
10	90267-48053-00	RIVET, BLIND	8	
11	8K4-23886-00-00	BRACKET 6	1	
12	(8N8-21945-00-00)	BRACKET, TL BX FTNG	1	
13	90267-48079-00	RIVET, BLIND	2	
14	4J2-82131-01-00	BAND, BATTERY	1	
15	8U9-28100-00-00	TOOL KIT (8V9-28100-00)	1	

Not For Resale

[www.SmallEngineDiscount.com](http://www.SmallEngineDiscount.com)

# CONTROL - CABLE SR540D-E-F

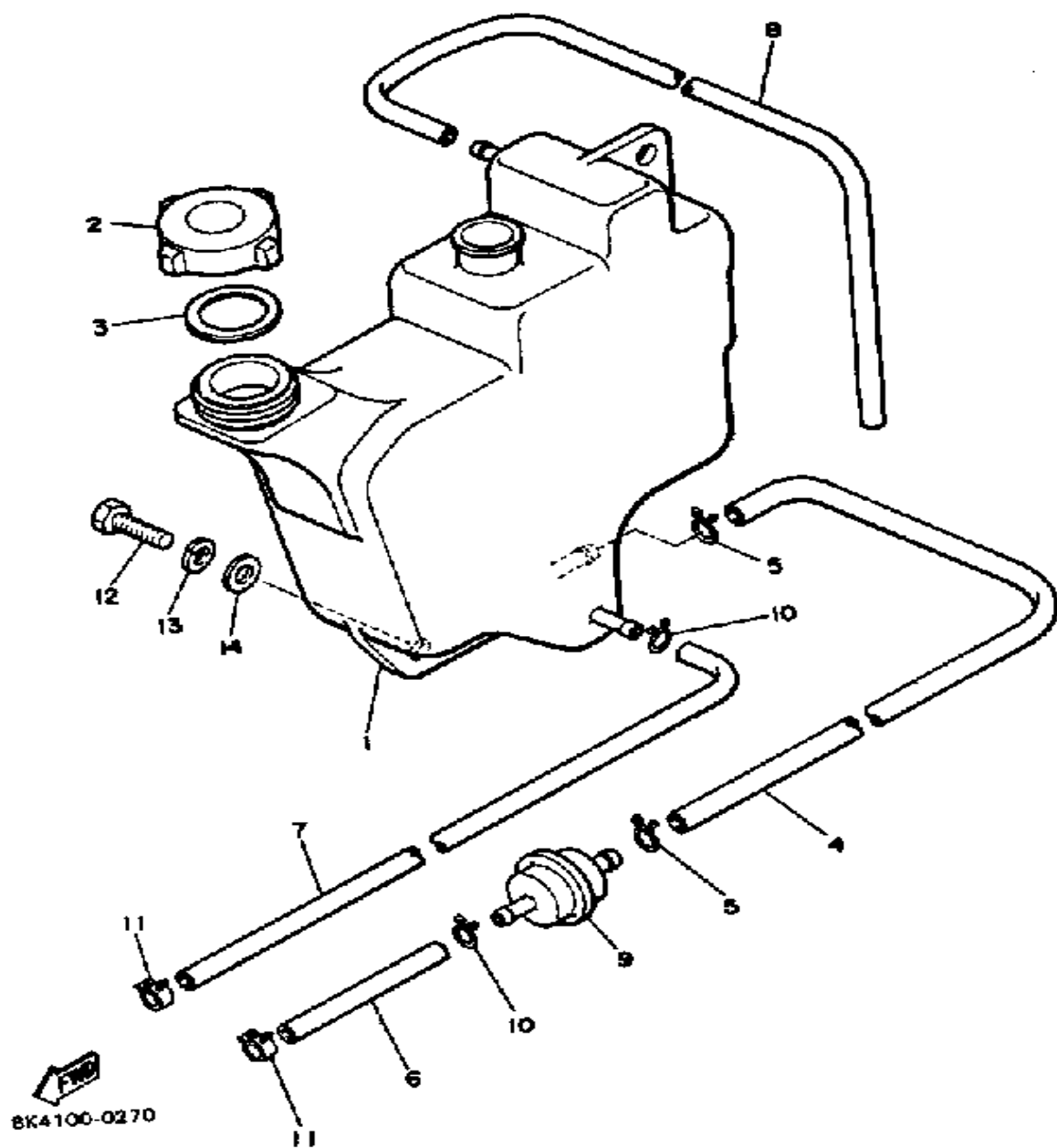


Ref. No.	Part Number	Description	Qty	Remarks
1	8K4-42138-00-00	LEVER, THROTTLE .....	1	
2	90249-06137-00	PIN, SPEC'L SHAPE .....	1	
3	92906-06200-00	WASHER .....	1	
4	93430-04002-00	CIRCLIP .....	1	
5	8K4-26311-00-00	CABLE, throttle 1 .....	1	
	8L8-26311-01-00	CABLE, THROTTLE 1 .....	1	
	8R6-26311-00-00	CABLE, THROTTLE 1 .....	1	
6	90465-10150-00	CLAMP .....	1	
7	8K4-26331-00-00	CABLE, starter 1 .....	1	
	8L8-26331-00-00	CABLE, STARTER 1 .....	1	
8	8K4-26340-00-00	CABLE, BRAKE .....	1	
9	801-26241-01-00	GRIP LH (L.H.) .....	2	
10	90387-22647-00	COLLAR .....	1	
11	90387-22726-00	COLLAR .....	1	
	90387-22726-00	COLLAR .....	2	
12	341-26397-01-00	BAND .....	1	

Not For Resale

[www.SmallEngineDiscount.com](http://www.SmallEngineDiscount.com)

# OIL TANK SR540D-E-F



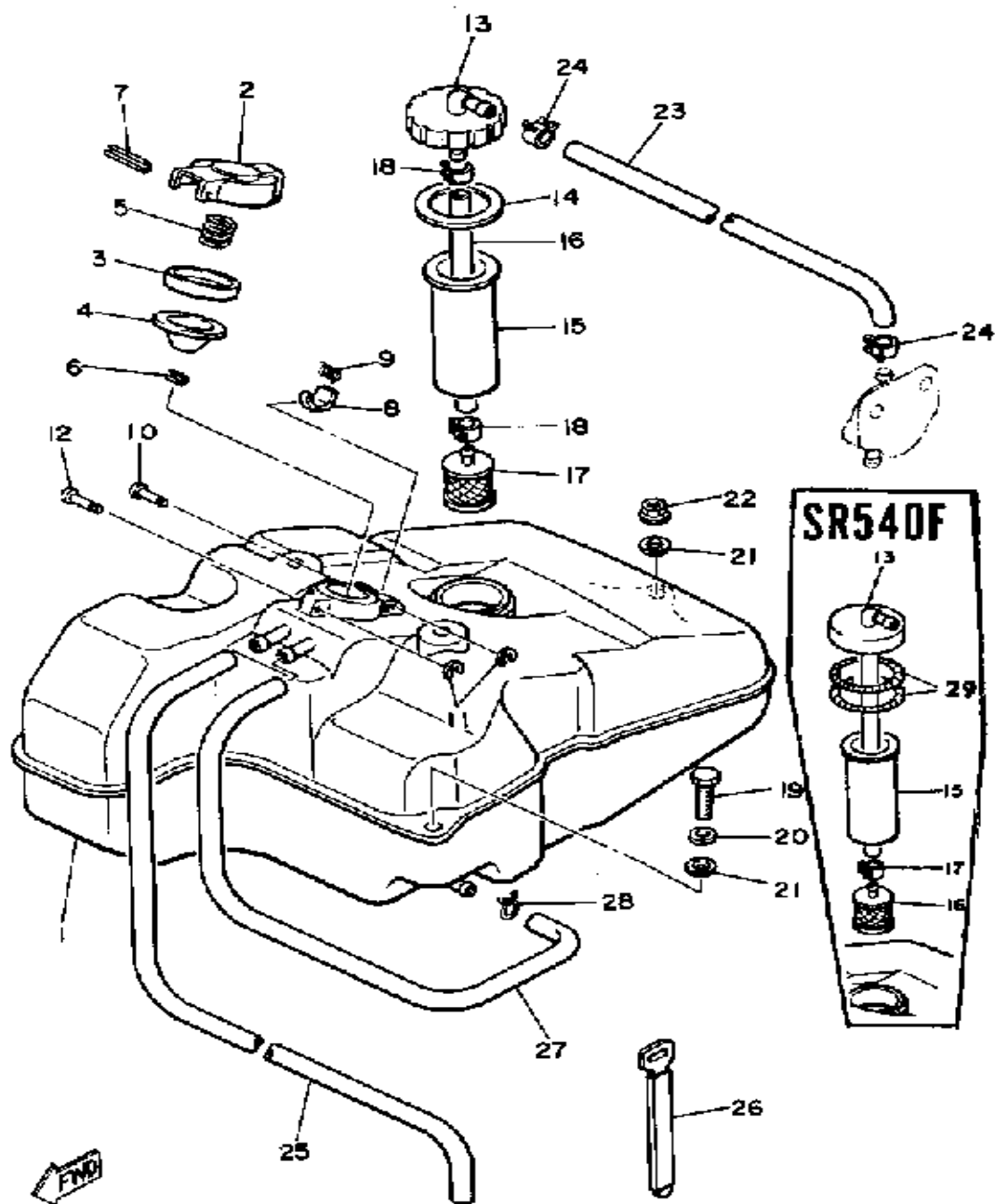
Ref. No.	Part Number	Description	Qty	Remarks
1	86U-21751-00-00	TANK, OIL (8L8-21751-00)	1	
2	863-21771-00-00	BODY, CAP	1	
3	90430-31003-00	GASKET	1	
4	90446-11157-00	HOSE	1	
5	90467-11009-00	CLIP	2	
6	90446-09011-00	HOSE	1	
7	91A20-05036-00	HOSE	1	
8	90446-09013-00	HOSE (90446-09079)	1	
9	8G8-13410-00-00	STRAINER HOUSING ASSEMBLY	1	
10	90467-09005-00	CLIP	2	
11	90467-09026-00	CLIP	2	
12	97023-06020-00	BOLT (3XF) (97302-06020)	2	
13	92995-06100-00	WASHER, SPRING	2	
14	90201-06067-00	WASHER, PLATE	2	

Not For Resale

[www.SmallEngineDiscount.com](http://www.SmallEngineDiscount.com)

# FUEL TANK SR540D-E-F

Ref. No.	Part Number	Description	Qty	Remarks
1	86P-24111-01-00	FUEL TANK (8K4-24111-01)	1	
	99999-01675-00	FUEL TANK SET	1	
2	813-24611-01-00	BODY, CAP	1	
3	813-24613-01-00	DISC, CAP	1	
4	8F7-24641-00-00	GASKET, CAP 1	1	
5	90501-20130-00	SPRING, CAP	1	
6	91609-30016-00	PIN, SPRING	1	
7	91609-25032-00	PIN, SPRING	1	
8	90249-03017-00	PIN	1	
9	90508-10715-00	SPRING, TORSION	1	
10	90249-03017-00	PIN	1	
11	93430-02001-00	CIRCLIP	2	
12	90249-03016-00	PIN, SPEC'L SHAPE	1	
13	83R-24335-00-00	PIPE, SUCTION 1	1	
	8K4-24335-00-00	PIPE, SUCTION 1	1	
14	8K4-24612-00-00	GASKET, CAP	1	
15	8K4-24336-00-00	PIPE, SUCTION 2	1	
16	90446-11081-00	HOSE	1	
17	8H5-24560-00-00	FILTER ASSY	1	
18	90467-11028-00	CLIP	1	
	90467-11028-00	CLIP	2	
19	97001-08025-00	BOLT (1NV)	2	
20	92990-08100-00	WASHER, SPRING	2	
21	90201-08748-00	WASHER, PLATE	3	
	90201-087A9-00	WASHER, PLATE	3	
22	95712-08300-00	NUT, FLANGE	1	
23	(90446-11166-00)	HOSE	1	
	91A20-07070-00	HOSE	1	
24	90467-11028-00	CLIP	2	



CONTINUED ON NEXT FRAME ►

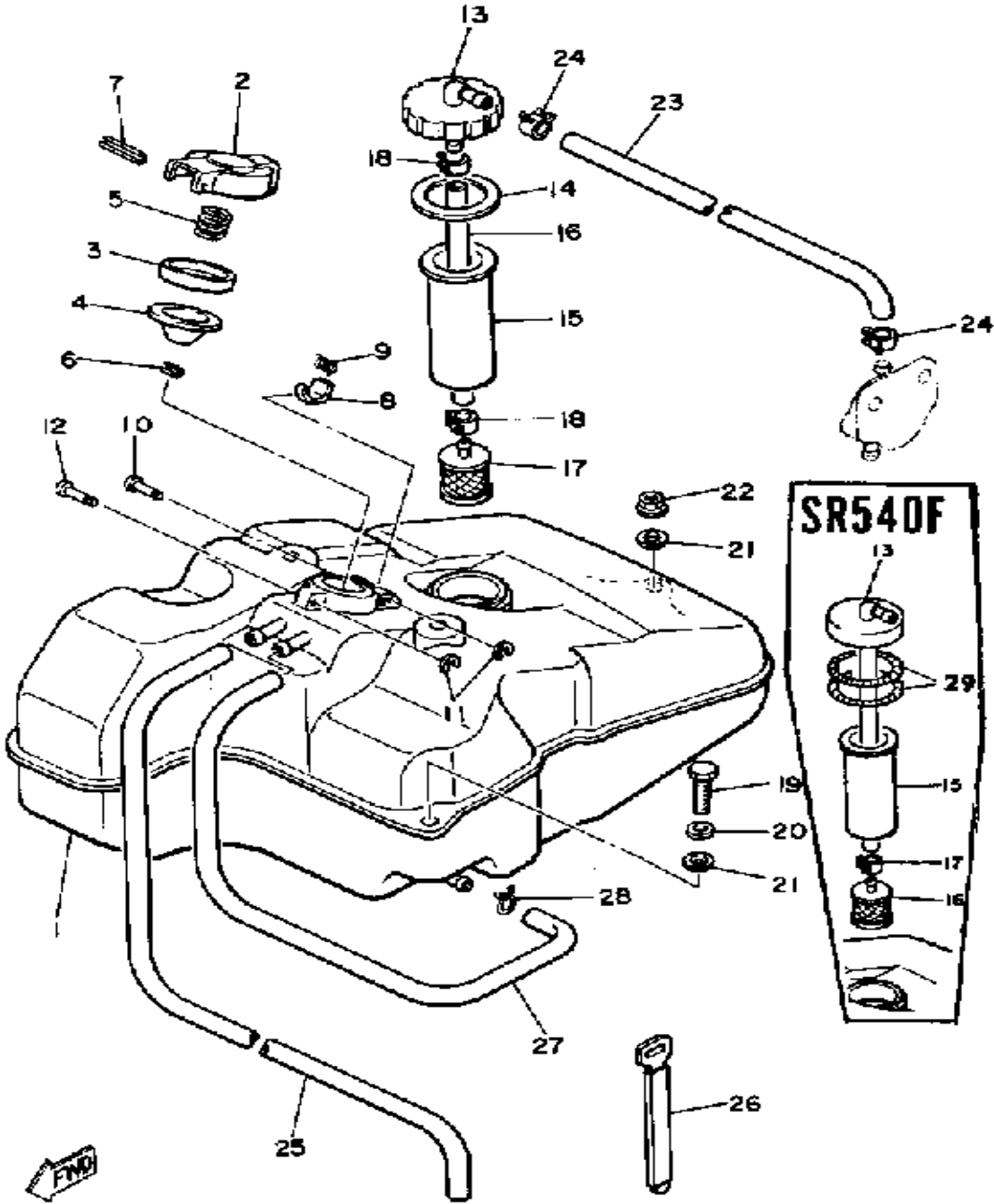
Not For Resale

www.SmallEngineDiscount.com



# FUEL TANK SR540D-E-F

Ref. No.	Part Number	Description	Qty	Remarks
25	90446-09155-00	HOSE .....	1	
26	341-26397-01-00	BAND .....	2	
27	90446-09013-00	HOSE (90446-09079) .....	1	
28	90467-09005-00	CLIP .....	1	
29	90506-06065-00	SPRING, TENSION .....	2	

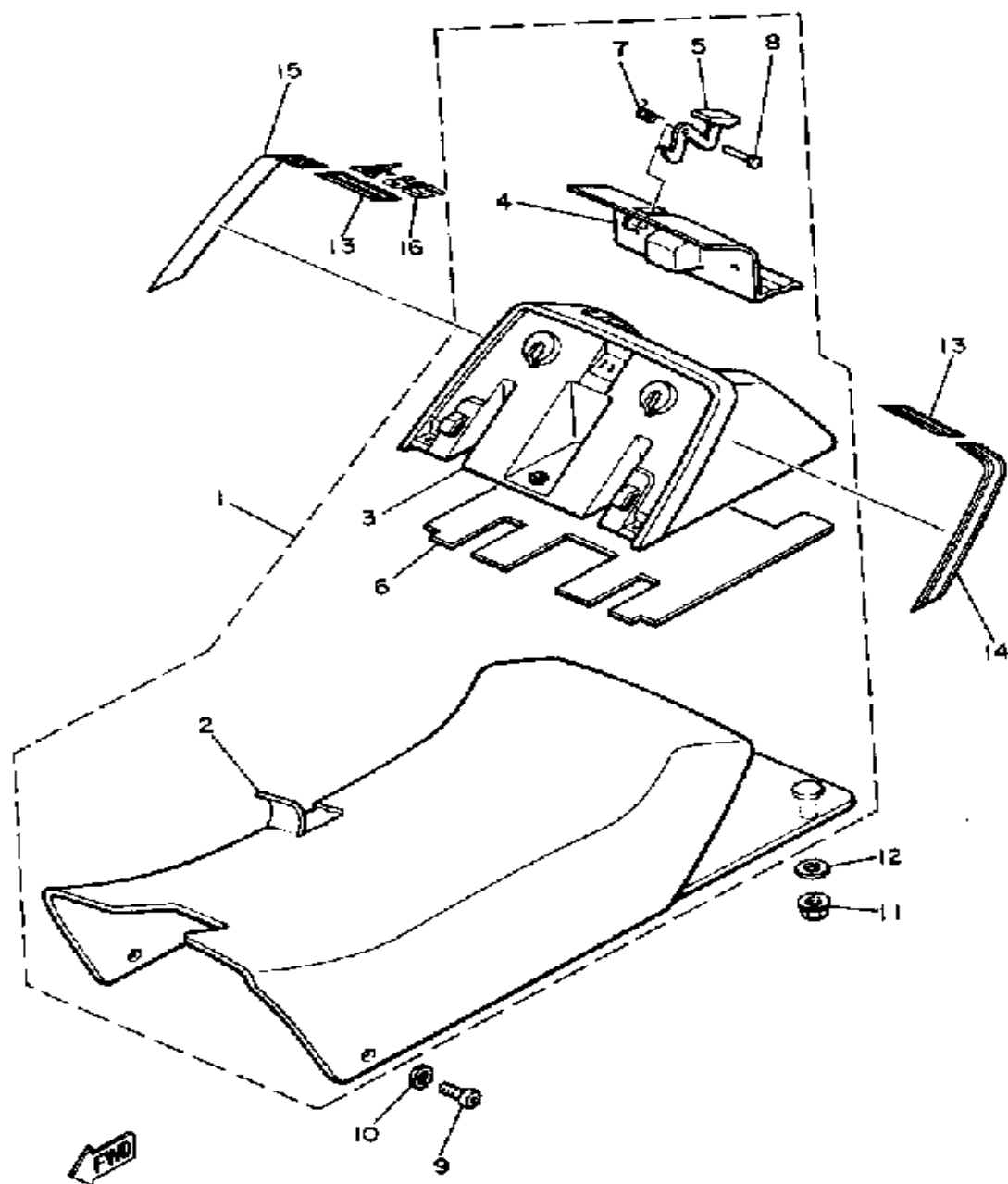


Not For Resale

www.SmallEngineDiscount.com

# SEAT SR540D

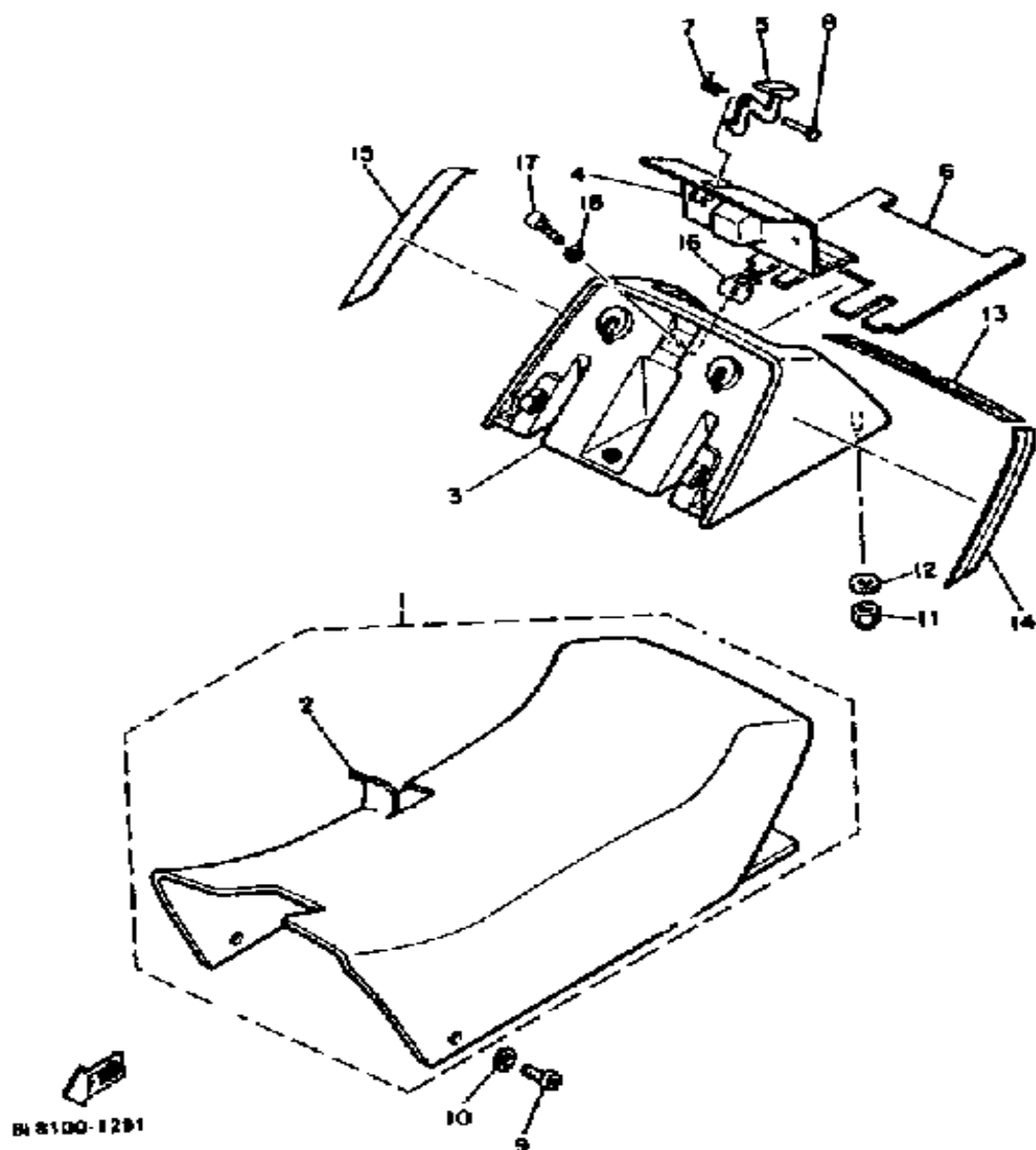
Ref. No.	Part Number	Description	Qty	Remarks
1	(8L0-24710-00-00)	SINGLE SEAT ASSEMBLY	1	
2	(8L0-24711-00-00)	COVER, SINGLE SEAT	1	
3	8L0-2473R-00-00	. BOX 1	1	
4	(8L0-2473T-00-00)	LID 1	1	
5	8L0-24776-00-00	. LEVER, SEAT	1	
6	8K4-24796-00-00	. COVER	1	
7	90508-12395-00	. SPRING, TORSION	1	
8	90243-04004-00	. PIN	1	
9	90154-06003-00	SCREW, BINDING	2	
10	90201-063J2-00	WASHER, PLATE	2	
11	95712-08300-00	NUT, FLANGE	2	
12	90201-08748-00	WASHER, PLATE	2	
13	8L0-77169-00-00	ORNAMENT 3	2	
14	8L0-77113-00-00	ORNAMENT 4	1	
15	8L0-77114-00-00	ORNAMENT 5	1	
16	8L0-77355-00-00	EMBLEM 5	1	



Not For Resale

[www.SmallEngineDiscount.com](http://www.SmallEngineDiscount.com)

# SEAT SR540E

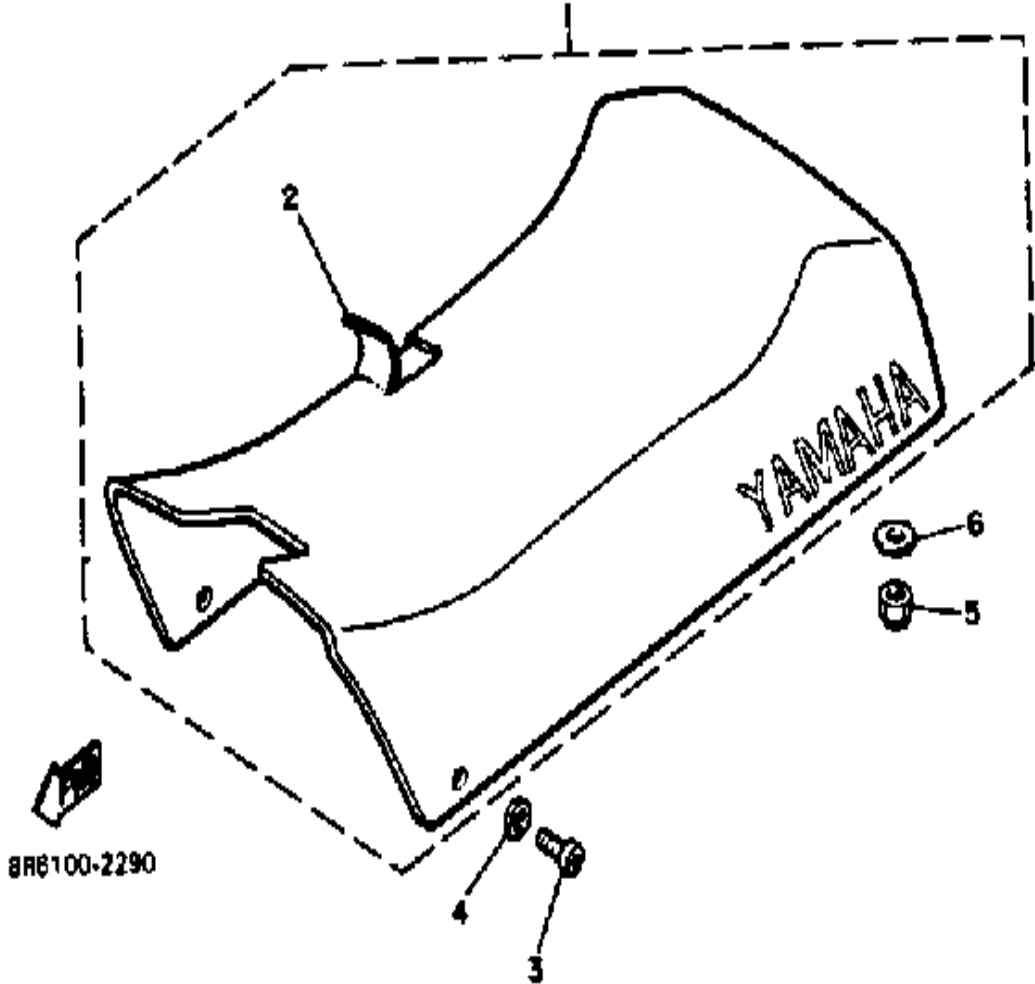


Ref. No.	Part Number	Description	Qty	Remarks
1	8L9-24710-00-00	SINGLE SEAT ASSEMBLY	1	
2	8K4-24711-00-00	. COVER, single seat	1	
3	(8L9-W2475-00-00)	SEAT BOX ASSEMBLY	1	
4	8L9-2473T-00-00	LID 1	1	
5	8L9-24776-00-00	LEVER, SEAT	1	
6	8K4-24796-00-00	COVER	1	
7	90508-12395-00	SPRING, TORSION	1	
8	90243-04004-00	PIN	1	
9	90154-06003-00	SCREW, BINDING	2	
10	90201-063J2-00	WASHER, PLATE	2	
11	95712-08300-00	NUT, FLANGE	6	
12	90201-08748-00	WASHER, PLATE	6	
13	8L9-77285-00-00	STRIPE 5	1	
14	8L9-77286-00-00	STRIPE 6	1	
15	(8L9-77287-00-00)	STRIPE 7	1	
16	8H8-77386-00-00	HOOK 1	1	
17	97313-05014-00	BOLT, HEXAGON	1	
18	92990-05100-00	WASHER, SPRING	1	

Not For Resale

[www.SmallEngineDiscount.com](http://www.SmallEngineDiscount.com)

# SEAT SR540F

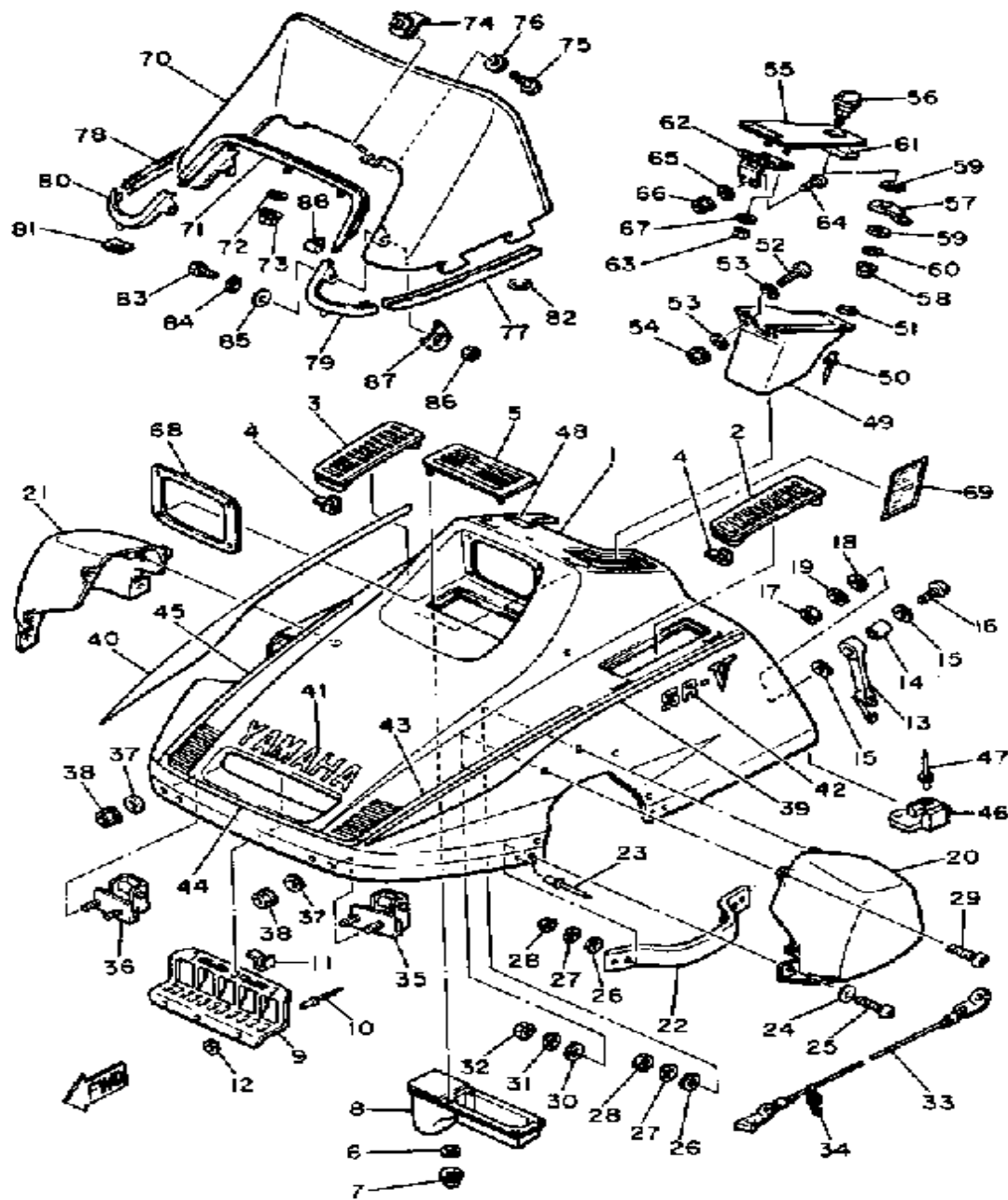


Ref. No.	Part Number	Description	Qty	Remarks
1	8V8-24710-00-00	SINGLE SEAT ASSEMBLY ...	1	
2	8V8-24711-00-00	. COVER, SINGLE SEAT .....	1	
3	90154-06003-00	SCREW, BINDING .....	2	
4	90201-063J2-00	WASHER, PLATE .....	2	
5	95712-08300-00	NUT, FLANGE .....	2	
6	90201-08748-00	WASHER, PLATE .....	2	

Not For Resale

[www.SmallEngineDiscount.com](http://www.SmallEngineDiscount.com)

# SHROUD - WINDSHIELD SR540D

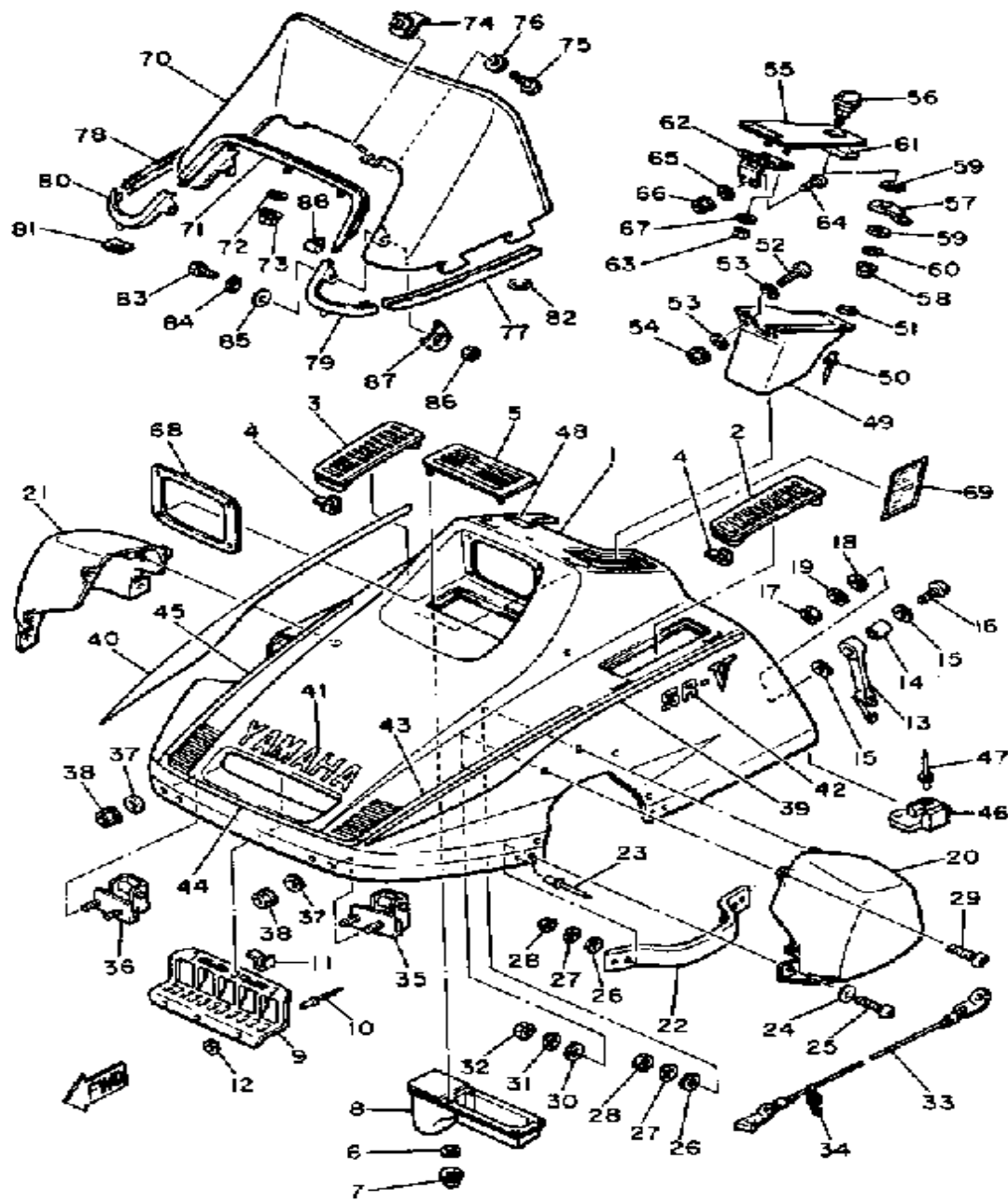


Ref. No.	Part Number	Description	Qty	Remarks
1	8L0-W7711-02-00	SHROUD, ASSEMBLY	1	
2	8L0-77133-00-00	LOUVER 3	1	
3	8L0-77134-00-00	LOUVER 4	1	
4	90468-05094-00	CLIP	4	
5	8L0-77109-00-00	LOUVER 5	1	
6	90201-05029-00	WASHER, PLATE	4	
7	95701-05300-00	NUT, NYLON	4	
8	8K4-7712E-00-00	INSULATOR	1	
9	8K4-77194-00-00	DUCT	1	
10	90267-48053-00	RIVET, BLIND	3	
11	90468-05176-00	CLIP	3	
12	90201-04325-00	WASHER, PLATE	3	
13	8G5-77170-00-00	LATCH ASSEMBLY	2	
14	90560-07007-00	SPACER	2	
15	90201-063J2-00	WASHER, PLATE	4	
16	98906-06030-00	SCREW, BIND	2	
17	95380-06600-00	NUT, HEXAGON	2	
18	92901-06600-00	WASHER	2	
19	92995-06100-00	WASHER, SPRING	2	
20	8L0-77121-00-00	HOOD 1	1	
21	8L0-77122-00-00	HOOD 2	1	
22	8L0-77125-00-00	STAY 1	2	
23	90267-48014-00	RIVET, BLIND	4	
24	90201-05721-00	WASHER, PLATE	4	
25	90154-05005-00	SCREW, BINDING	4	
26	90201-05029-00	WASHER, PLATE	6	
27	92990-05100-00	WASHER, SPRING	5	
28	95380-05600-00	NUT	6	
29	98903-06016-00	SCREW, BIND	8	

CONTINUED ON NEXT FRAME ►

Not For Resale  
[www.SmallEngineDiscount.com](http://www.SmallEngineDiscount.com)

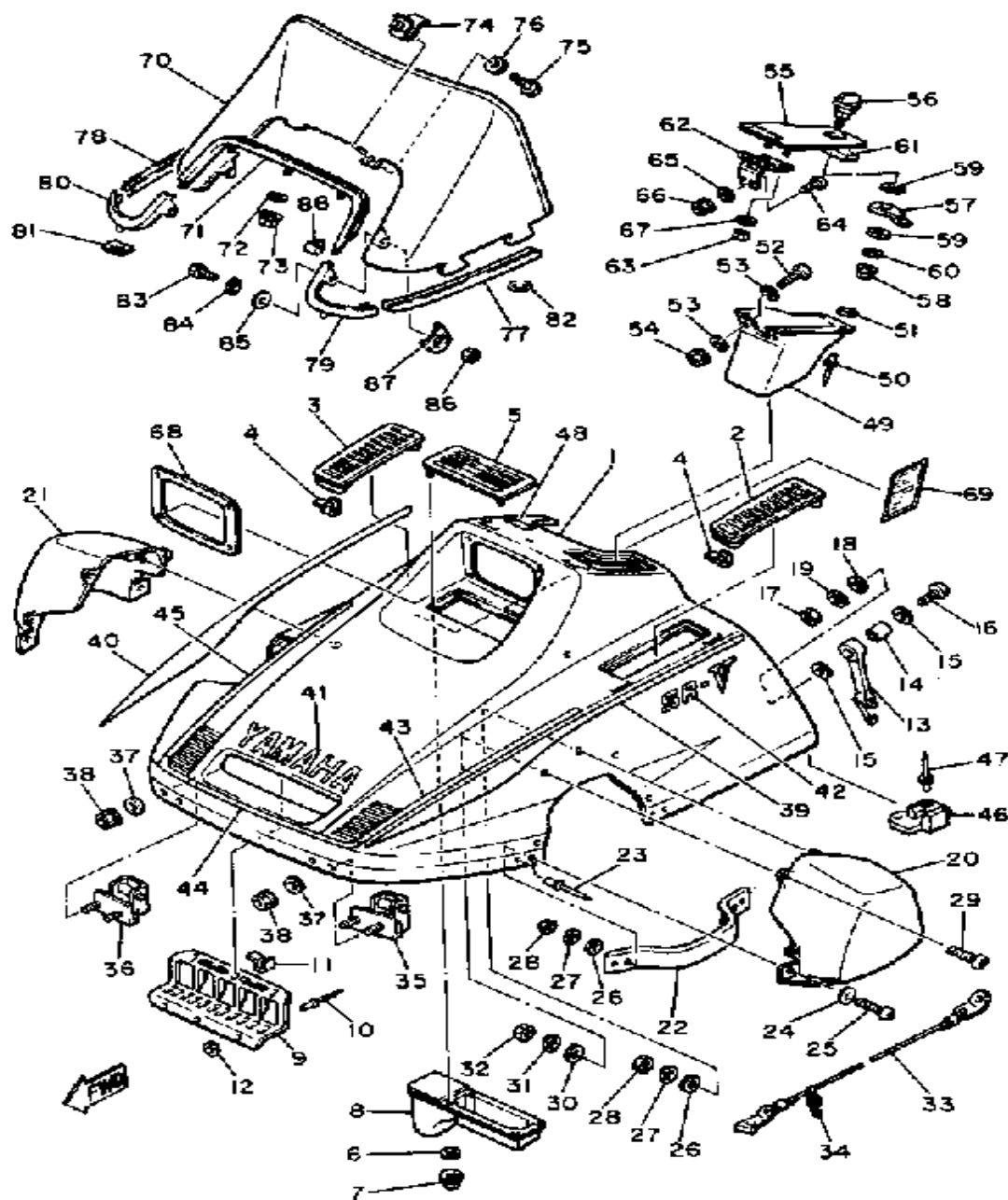
# SHROUD - WINDSHIELD SR540D



Ref. No.	Part Number	Description	Qty	Remarks
30	90201-06M08-00	WASHER, PLATE	8	
31	92995-06100-00	WASHER, SPRING	8	
32	95380-06600-00	NUT, HEXAGON	8	
33	8K4-77118-00-00	STOPPER, SHROUD	1	
34	838-77159-00-00	CLAMP, ROD	1	
35	8L0-77140-00-00	HINGE ASSEMBLY	1	
36	8L0-7714A-00-00	HINGE ASSEMBLY 2	1	
37	90201-06072-00	WASHER, PLATE	4	
38	95701-06300-00	NUT, NYLON	4	
39	(8L0-77163-00-00)	ORNAMENT 1	1	
40	8L0-77164-00-00	ORNAMENT 2	1	
41	(8L0-77357-00-00)	EMBLEM 7	1	
42	(8L0-77358-00-00)	EMBLEM 8	2	
43	8L0-77281-00-00	STRIPE 1	1	
44	8L0-77282-00-00	STRIPE 2	1	
45	8L0-77284-00-00	STRIPE 4	1	
46	8K4-77188-00-00	STOPPER	2	
47	90267-48086-00	RIVET, BLIND	4	
48	288-21659-00-00	LABEL, SAFETY	1	
49	8K4-77391-00-00	LUGGAGE BOX	1	
50	90267-48032-00	RIVET, BLIND	2	
51	90201-04325-00	WASHER, PLATE	2	
52	98516-06020-00	SCREW, PAN HEAD	2	
53	90201-06059-00	WASHER, PLATE	4	
54	95701-06300-00	NUT, NYLON	2	
55	8L0-77392-00-00	COVER, LUGGAGE BOX	1	
56	8L0-77324-00-00	KNOB	1	
57	8K4-77328-00-00	LEVER, arm fitting	1	
58	95706-05300-00	NUT, NYLON	1	

CONTINUED ON NEXT FRAME ►

# SHROUD - WINDSHIELD SR540D

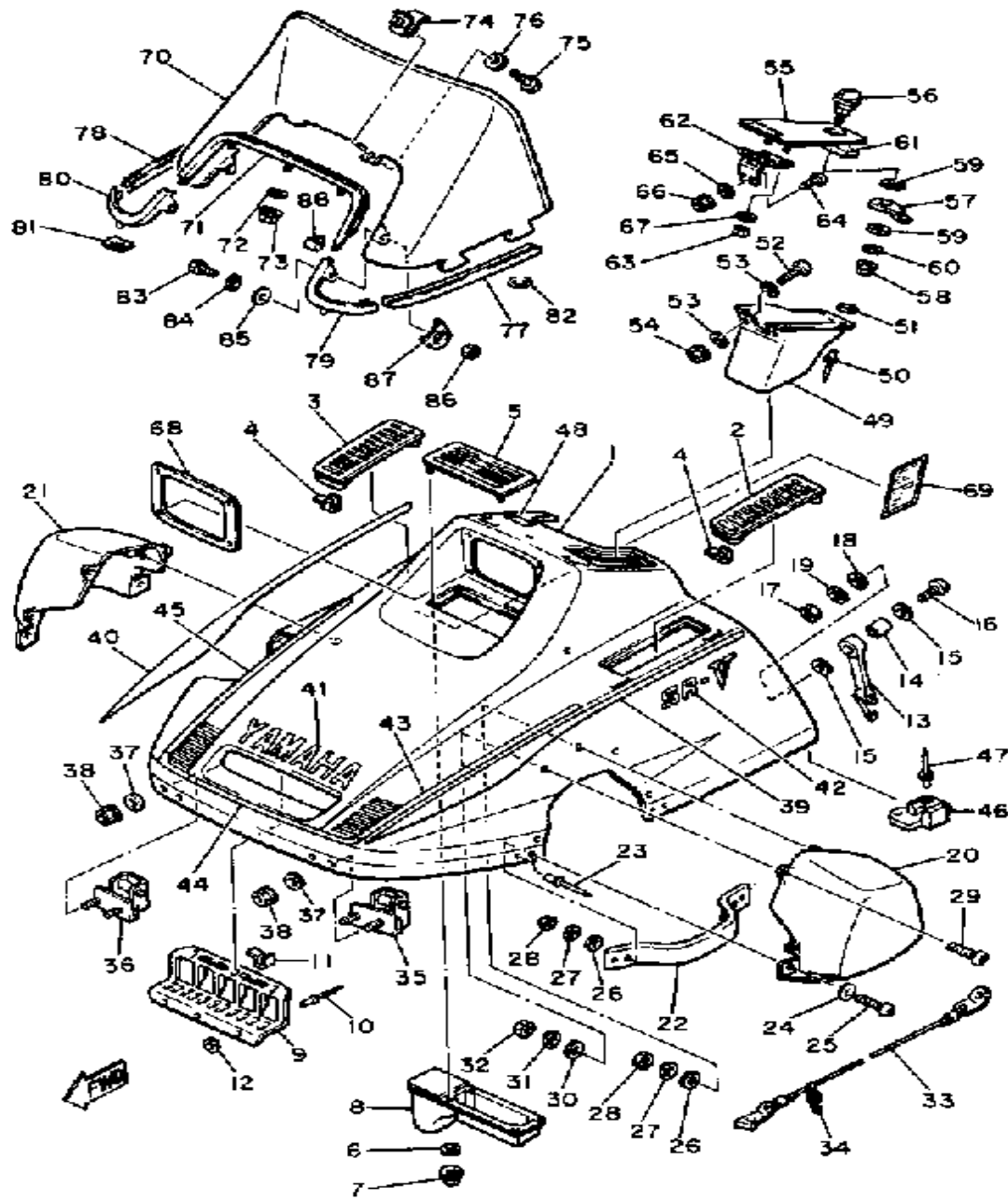


Ref. No.	Part Number	Description	Qty	Remarks
59	90201-10119-00	WASHER, PLATE	2	
60	90201-05725-00	WASHER, PLATE	1	
61	8K4-77374-00-00	DAMPER 2	1	
62	8K4-77470-00-00	HINGE ASSEMBLY	1	
63	95306-05800-00	NUT (CROWN)	2	
64	98586-05016-00	SCREW, PAN HEAD	2	
65	90201-05029-00	WASHER, PLATE	2	
66	95701-05300-00	NUT, NYLON	2	
67	92906-05200-00	WASHER	2	
68	8K4-77165-00-00	TRIM 1	1	
69	8L0-77743-00-00	INDICATOR 3	1	
70	8L0-77210-00-XX	WINDSHIELD (8L0-77210-00)	1	
71	8L0-77214-00-00	TRIM, lower	1	
72	92901-05600-00	WASHER, PLATE	3	
73	95701-05300-00	NUT, NYLON	3	
74	8K4-77222-00-00	BRACKET, WNDSHLD R	1	
75	97011-06010-00	BOLT (97002-06010)	1	
76	92995-06100-00	WASHER, SPRING	1	
77	8L0-77215-00-00	TRIM 3	1	
78	8L0-77216-00-00	TRIM 4	1	
79	8L0-77225-00-00	TRIM 5	1	
80	8L0-77226-00-00	TRIM 6	1	
81	90183-05019-00	NUT, SPRING	2	
82	82H-77223-00-00	FASTNER	4	
83	97313-05016-00	BOLT, HEXAGON	2	
84	92990-05100-00	WASHER, SPRING	2	
85	90201-05033-00	WASHER, PLATE	2	
86	95306-05800-00	NUT (CROWN)	2	
87	(8L0-77116-00-00)	WASHER, SPECIAL	2	

CONTINUED ON NEXT FRAME ►

Not For Resale  
[www.SmallEngineDiscount.com](http://www.SmallEngineDiscount.com)

# SHROUD - WINDSHIELD SR540D



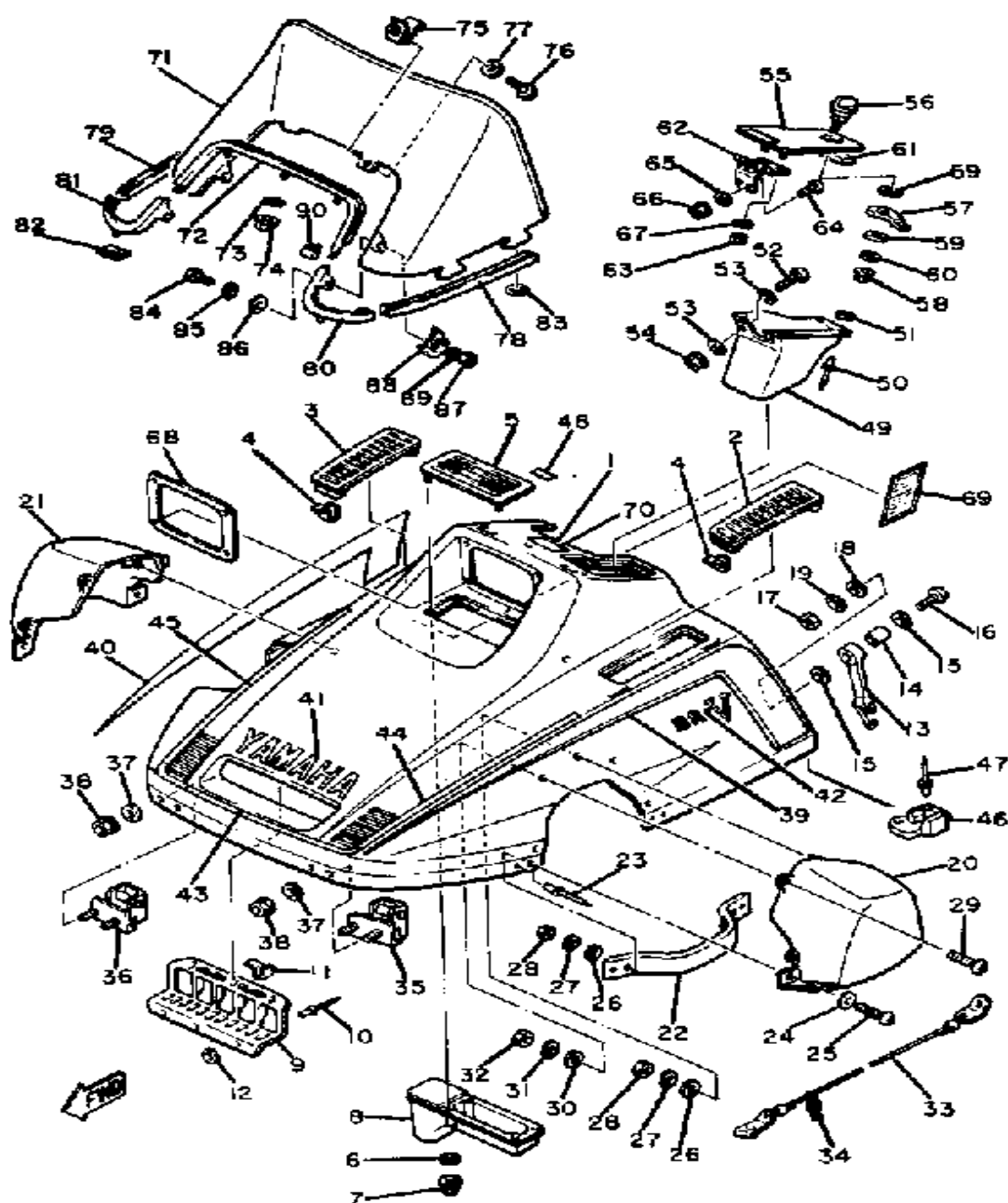
Ref. No.	Part Number	Description	Qty	Remarks
88	8L0-77136-00-00	CLAMP 2 .....	2	

Not For Resale

www.SmallEngineDiscount.com



# SHROUD - WINDSHIELD SR540E

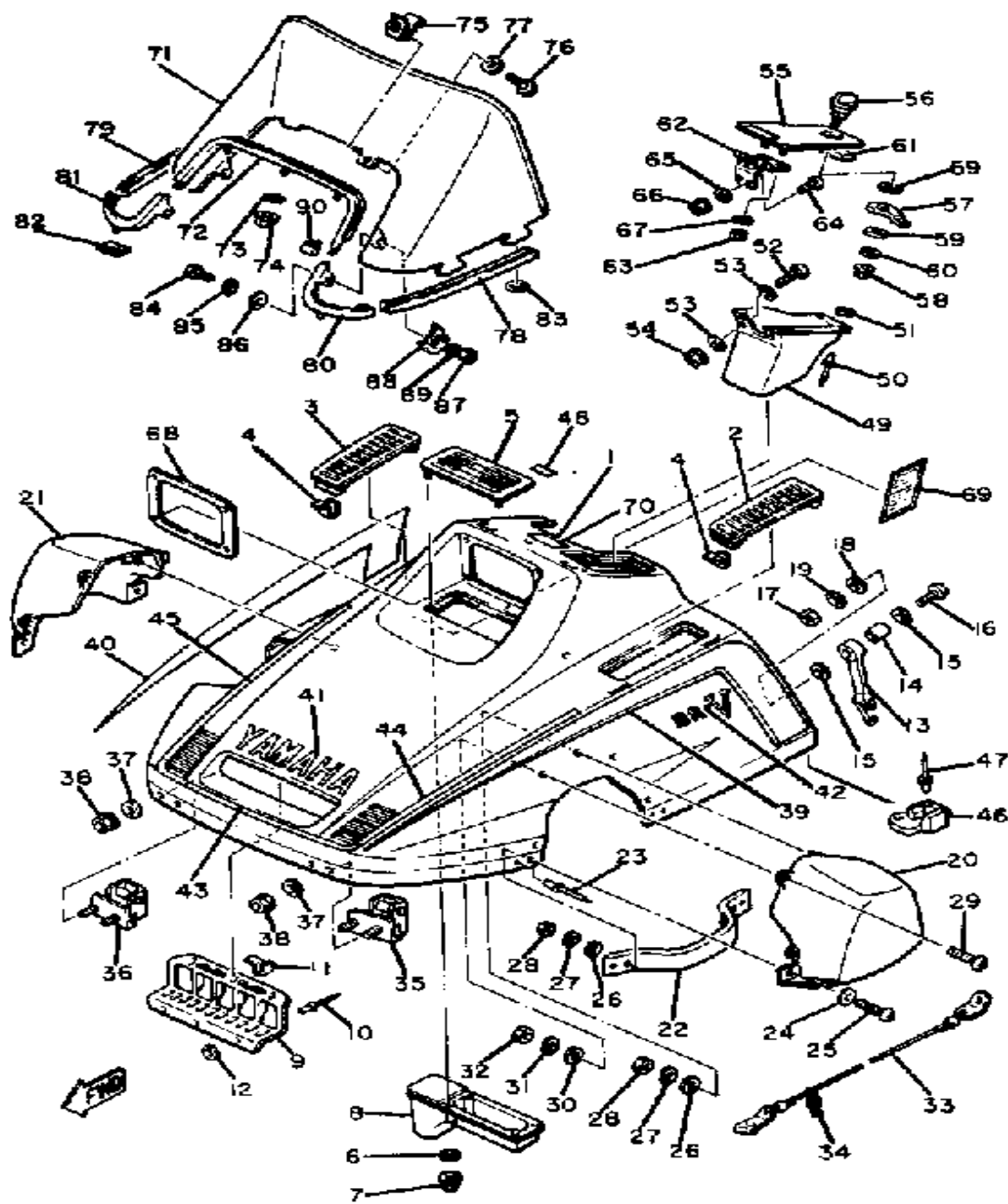


Ref. No.	Part Number	Description	Qty	Remarks
1	8L9-W7711-00-00	SHROUD ASSEMBLY	1	
2	8L9-77133-00-00	LOUVER 3	1	
3	8L9-77134-00-00	LOUVER 4	1	
4	90468-05094-00	CLIP	4	
5	8L9-77109-00-00	LOUVER 5 (83W-77109-00)	1	
6	90201-05029-00	WASHER, PLATE	4	
7	95701-05300-00	NUT, NYLON	4	
8	8K4-7712E-00-00	INSULATOR	1	
9	8K4-77194-00-00	DUCT	1	
10	90267-48053-00	RIVET, BLIND	3	
11	90468-05176-00	CLIP	3	
12	90201-04325-00	WASHER, PLATE	3	
13	8G5-77170-00-00	LATCH ASSEMBLY	2	
14	90560-07007-00	SPACER	2	
15	90201-06067-00	WASHER, PLATE	4	
16	98906-06030-00	SCREW, BIND	2	
17	95380-06600-00	NUT, HEXAGON	2	
18	92901-06600-00	WASHER	2	
19	92995-06100-00	WASHER, SPRING	2	
20	8L0-77121-00-00	HOOD 1	1	
21	8L0-77122-00-00	HOOD 2	1	
22	8L0-77125-00-00	STAY 1	2	
23	90267-48014-00	RIVET, BLIND	4	
24	90201-05721-00	WASHER, PLATE	4	
25	90154-05005-00	SCREW, BINDING	4	
26	90201-05029-00	WASHER, PLATE	4	
27	92990-05100-00	WASHER, SPRING	4	
28	95380-05600-00	NUT	4	
29	98903-06016-00	SCREW, BIND	8	

CONTINUED ON NEXT FRAME ►

Not For Resale  
[www.SmallEngineDiscount.com](http://www.SmallEngineDiscount.com)

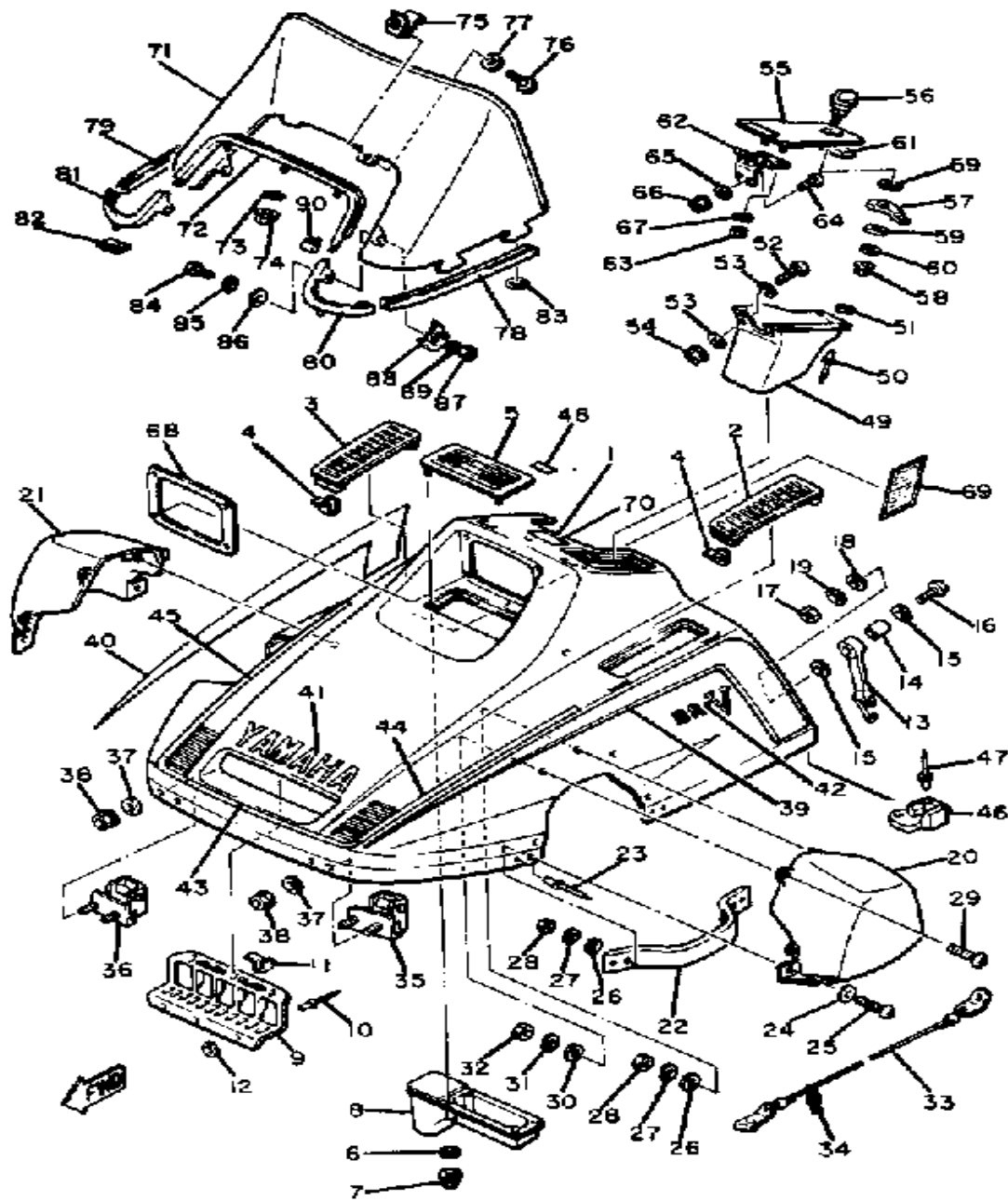
# SHROUD - WINDSHIELD SR540E



Ref. No.	Part Number	Description	Qty	Remarks
30	90201-06M08-00	WASHER, PLATE	8	
31	92995-06100-00	WASHER, SPRING	8	
32	95380-06600-00	NUT, HEXAGON	8	
33	8K4-77118-00-00	STOPPER, SHROUD	1	
34	838-77159-00-00	CLAMP, ROD	1	
35	8L8-77140-00-00	HINGE ASSEMBLY	1	
36	8L8-7714A-00-00	HINGE ASSEMBLY 2	1	
37	90201-067A6-00	WASHER, PLATE	4	
38	95701-06300-00	NUT, NYLON	4	
39	8L9-77163-00-00	ORNAMENT 1	1	
40	8L9-77164-00-00	ORNAMENT 2	1	
41	(8L9-77357-00-00)	EMBLEM 7	1	
42	8L9-77358-00-00	EMBLEM 8	2	
43	8L9-77281-00-00	STRIPE 1	1	
44	(8L9-77282-00-00)	STRIPE 2	1	
45	(8L9-77284-00-00)	STRIPE 4	1	
46	8K4-77188-00-00	STOPPER	2	
47	90267-48086-00	RIVET, BLIND	4	
48	288-21659-00-00	LABEL, SAFETY	1	
49	8K4-77391-00-00	LUGGAGE BOX	1	
50	90267-48078-00	RIVET, BLIND	2	
51	90201-04325-00	WASHER, PLATE	2	
52	98516-06020-00	SCREW, PAN HEAD	2	
53	90201-06059-00	WASHER, PLATE	4	
54	95701-06300-00	NUT, NYLON	2	
55	8L9-77392-00-00	COVER, LUGGAGE BOX	1	
56	(8L9-W0070-00-00)	GRAPHIC SET	1	OPTIONAL KITWITH +
	8L9-77324-00-00	KNOB	1	
57	8K4-77328-00-00	LEVER, arm fitting	1	

CONTINUED ON NEXT FRAME ►

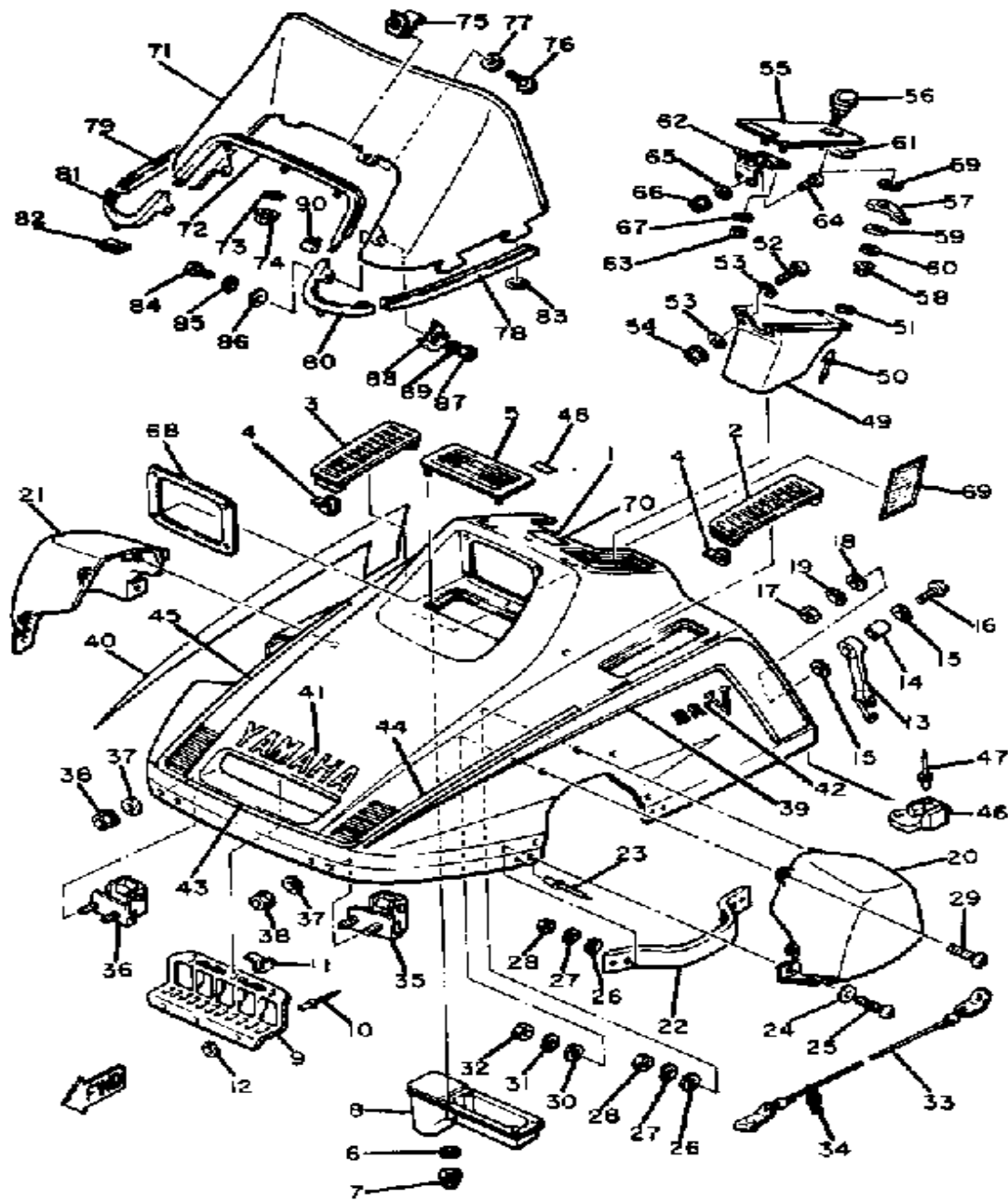
# SHROUD - WINDSHIELD SR540E



Ref. No.	Part Number	Description	Qty	Remarks
58	95706-05300-00	NUT, NYLON	1	
59	90201-10119-00	WASHER, PLATE	2	
60	90201-05725-00	WASHER, PLATE	1	
61	8K4-77374-00-00	DAMPER 2	1	
62	8K4-77470-00-00	HINGE ASSEMBLY	1	
63	95306-05800-00	NUT (CROWN)	2	
64	98586-05016-00	SCREW, PAN HEAD	2	
65	90201-05029-00	WASHER, PLATE	2	
66	95701-05300-00	NUT, NYLON	2	
67	92906-05200-00	WASHER	2	
68	8K4-77165-00-00	TRIM 1	1	
69	8L9-77743-00-00	INDICATOR 3	1	
70	8L2-77761-01-00	LABEL, WARNING 1	1	
71	8L0-77210-00-XX	WINDSHIELD (8L0-77210-00)	1	
72	8L0-77214-00-00	TRIM, lower	1	
73	92901-05600-00	WASHER, PLATE	3	
74	95701-05300-00	NUT, NYLON	3	
75	8K4-77222-00-00	BRACKET, WNDSHLD R	1	
76	97011-06010-00	BOLT (97002-06010)	1	
77	92995-06100-00	WASHER, SPRING	1	
78	8L0-77215-00-00	TRIM 3	1	
79	8L0-77216-00-00	TRIM 4	1	
80	8L0-77225-00-00	TRIM 5	1	
81	8L0-77226-00-00	TRIM 6	1	
82	90183-05019-00	NUT, SPRING	2	
83	82H-77223-00-00	FASTNER	4	
84	97313-05016-00	BOLT, HEXAGON	2	
85	92990-05100-00	WASHER, SPRING	2	
86	90201-05033-00	WASHER, PLATE	2	

CONTINUED ON NEXT FRAME ►

# SHROUD - WINDSHIELD SR540E



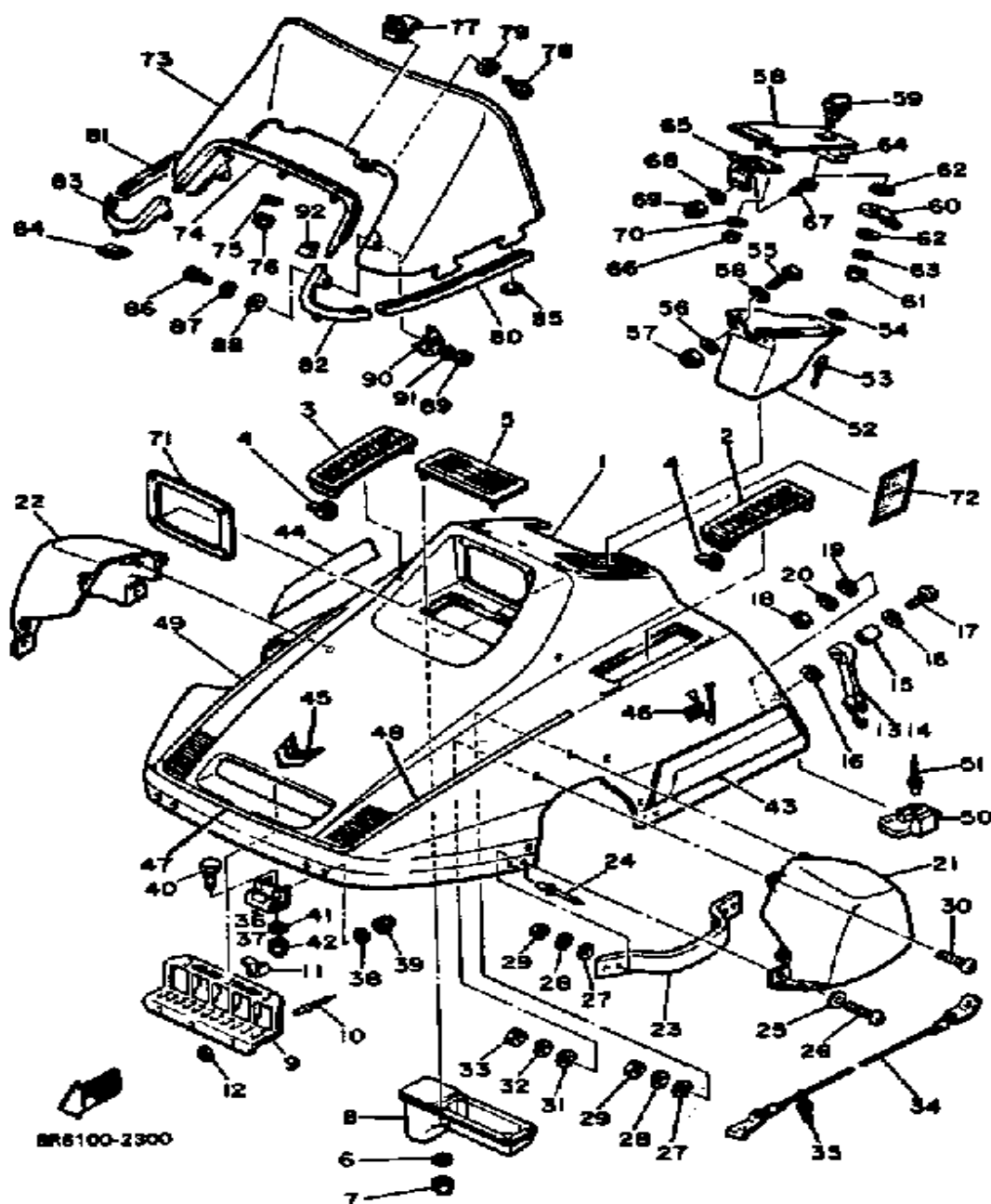
Ref. No.	Part Number	Description	Qty	Remarks
87	95306-05800-00	NUT (CROWN) .....	2	
88	8L9-77116-00-00	WASHER, special .....	2	
89	90201-06643-00	WASHER, PLATE .....	2	
90	8L0-77136-00-00	CLAMP 2 .....	2	

Not For Resale

www.SmallEngineDiscount.com

# SHROUD - WINDSHIELD SR540F

Ref. No.	Part Number	Description	Qty	Remarks
1	8R6-W7711-02-00	SHROUD ASSEMBLY	1	
2	8L9-77133-00-00	LOUVER 3	1	
3	8L9-77134-00-00	LOUVER 4	1	
4	90468-05094-00	CLIP	4	
5	8L9-77109-00-00	LOUVER 5 (83W-77109-00)	1	
6	90201-05029-00	WASHER, PLATE	4	
7	95701-05300-00	NUT, NYLON	4	
8	8K4-7712E-00-00	INSULATOR	1	
9	8K4-77194-00-00	DUCT	1	
10	90267-48053-00	RIVET, BLIND	3	
11	90468-05176-00	CLIP	3	
12	90201-04325-00	WASHER, PLATE	3	
13	8N8-77170-00-00	LATCH ASSEMBLY	1	
14	8G5-77170-00-00	LATCH ASSEMBLY	1	
15	90560-07007-00	SPACER	2	
16	90201-06067-00	WASHER, PLATE	4	
17	98906-06030-00	SCREW, BIND	2	
18	95380-06600-00	NUT, HEXAGON	2	
19	92901-06600-00	WASHER	2	
20	92995-06100-00	WASHER, SPRING	2	
21	8L0-77121-00-00	HOOD 1	1	
22	8L0-77122-00-00	HOOD 2	1	
23	8L0-77125-00-00	STAY 1	2	
24	90267-48014-00	RIVET, BLIND	4	
25	90201-05721-00	WASHER, PLATE	4	
26	90154-05005-00	SCREW, BINDING	4	
27	90201-05029-00	WASHER, PLATE	4	
28	92990-05100-00	WASHER, SPRING	4	
29	95380-05600-00	NUT	4	



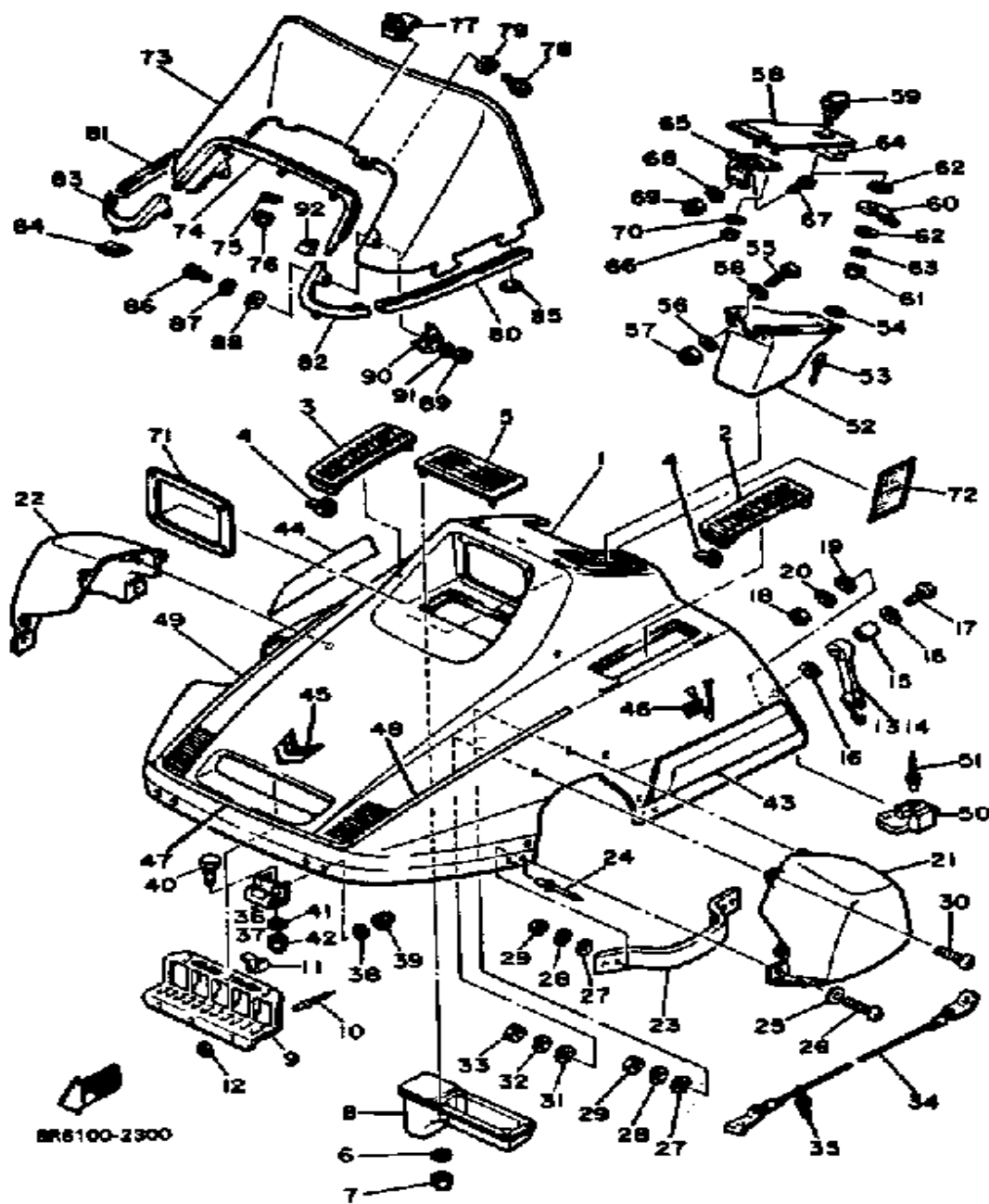
CONTINUED ON NEXT FRAME ►

Not For Resale

www.SmallEngineDiscount.com

# SHROUD - WINDSHIELD SR540F

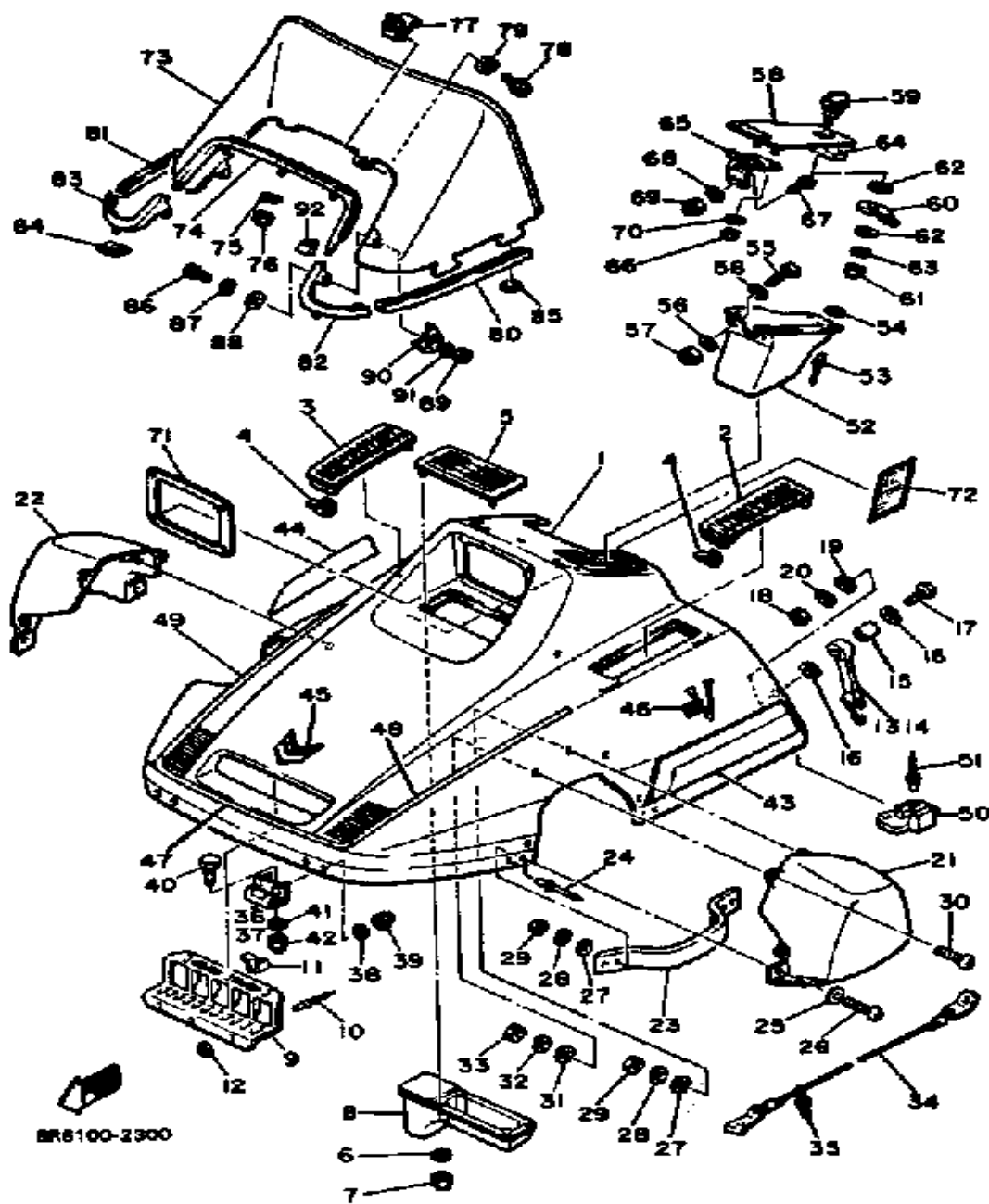
Ref. No.	Part Number	Description	Qty	Remarks
30	98906-06016-00	SCREW, BIND	8	
31	90201-06M08-00	WASHER, PLATE	8	
32	92995-06100-00	WASHER, SPRING	8	
33	95380-06600-00	NUT, HEXAGON	8	
34	8K4-77118-00-00	STOPPER, SHROUD	1	
35	838-77159-00-00	CLAMP, ROD	1	
36	8L8-77140-00-00	HINGE ASSEMBLY	1	
37	8L8-7714A-00-00	HINGE ASSEMBLY 2	1	
38	90201-067A6-00	WASHER, PLATE	4	
39	95701-06300-00	NUT, NYLON	4	
40	97026-06014-00	BOLT	2	
41	90201-062A8-00	WASHER, PLATE	2	
42	95706-06300-00	NUT, NYLON	2	
43	8R6-77163-00-00	ORNAMENT 1	1	
44	8R6-77164-00-00	ORNAMENT 2	1	
45	(8R6-77357-00-00)	EMBLEM 7	1	
46	(8R6-77358-00-00)	EMBLEM 8	2	
47	(8R6-77281-00-00)	STRIPE 1	1	
48	(8R6-77282-00-00)	STRIPE 2	1	
49	(8R6-77283-00-00)	STRIPE 3	1	
50	(8R6-W0070-00-00)	GRAPHIC SET	1	OPTIONAL GRAPHIC SETWITH +
	8K4-77188-00-00	STOPPER	2	
51	90267-48086-00	RIVET, BLIND	4	
52	8K4-77391-00-00	LUGGAGE BOX	1	
53	90267-48078-00	RIVET, BLIND	2	
54	90201-04325-00	WASHER, PLATE	2	
55	98516-06020-00	SCREW, PAN HEAD	2	
56	90201-06059-00	WASHER, PLATE	4	



CONTINUED ON NEXT FRAME ►

# SHROUD - WINDSHIELD SR540F

Ref. No.	Part Number	Description	Qty	Remarks
57	95701-06300-00	NUT, NYLON	2	
58	8L9-77392-00-00	COVER, LUGGAGE BOX	1	
59	8L9-77324-00-00	KNOB	1	
60	8K4-77328-00-00	LEVER, arm fitting	1	
61	95706-05300-00	NUT, NYLON	1	
62	90201-10119-00	WASHER, PLATE	2	
63	90201-05725-00	WASHER, PLATE	1	
64	8K4-77374-00-00	DAMPER 2	1	
65	8K4-77470-00-00	HINGE ASSEMBLY	1	
66	95306-05800-00	NUT (CROWN)	2	
67	98586-05016-00	SCREW, PAN HEAD	2	
68	90201-05029-00	WASHER, PLATE	2	
69	95701-05300-00	NUT, NYLON	2	
70	92906-05200-00	WASHER	2	
71	8K4-77165-00-00	TRIM 1	1	
72	8R6-77743-00-00	INDICATOR 3	1	
73	8L0-77210-00-XX	WINDSHIELD (8L0-77210-00)	1	
74	8L0-77214-00-00	TRIM, lower	1	
75	92901-05600-00	WASHER, PLATE	3	
76	95701-05300-00	NUT, NYLON	3	
77	8K4-77222-00-00	BRACKET, WNDSHLD R	1	
78	97011-06010-00	BOLT (97002-06010)	1	
79	92995-06100-00	WASHER, SPRING	1	
80	8L0-77215-00-00	TRIM 3	1	
81	8L0-77216-00-00	TRIM 4	1	
82	8L0-77225-00-00	TRIM 5	1	
83	8L0-77226-00-00	TRIM 6	1	
84	90183-05019-00	NUT, SPRING	2	
85	82H-77223-00-00	FASTNER	4	

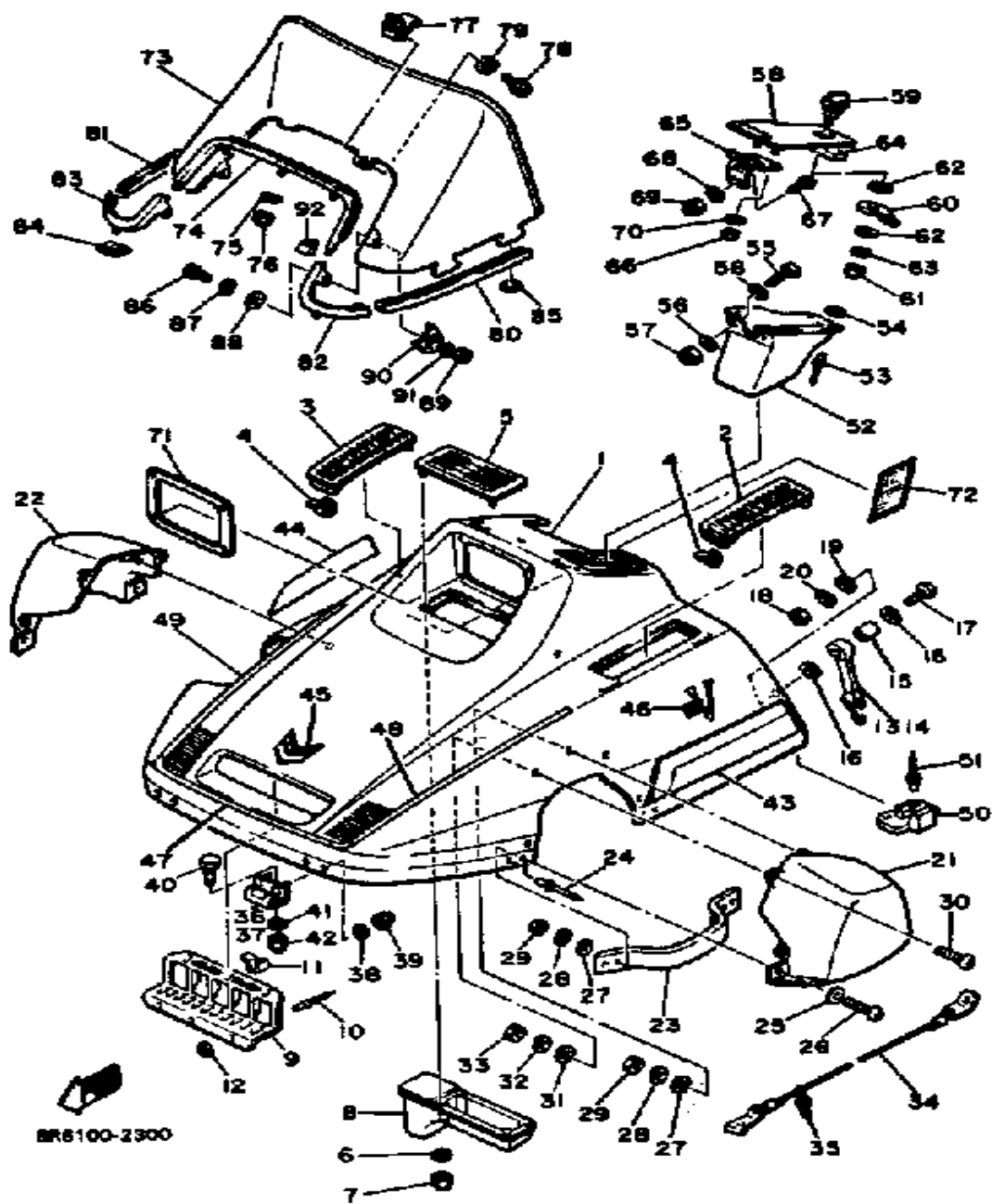


CONTINUED ON NEXT FRAME ►

Not For Resale  
[www.SmallEngineDiscount.com](http://www.SmallEngineDiscount.com)

# SHROUD - WINDSHIELD SR540F

Ref. No.	Part Number	Description	Qty	Remarks
86	97313-05016-00	BOLT, HEXAGON	2	
87	92990-05100-00	WASHER, SPRING	2	
88	90201-05033-00	WASHER, PLATE	1	
89	95306-05800-00	NUT (CROWN)	2	
90	8L9-77116-00-00	WASHER, special	2	
91	90201-06643-00	WASHER, PLATE	2	
92	8L0-77136-00-00	CLAMP 2	2	

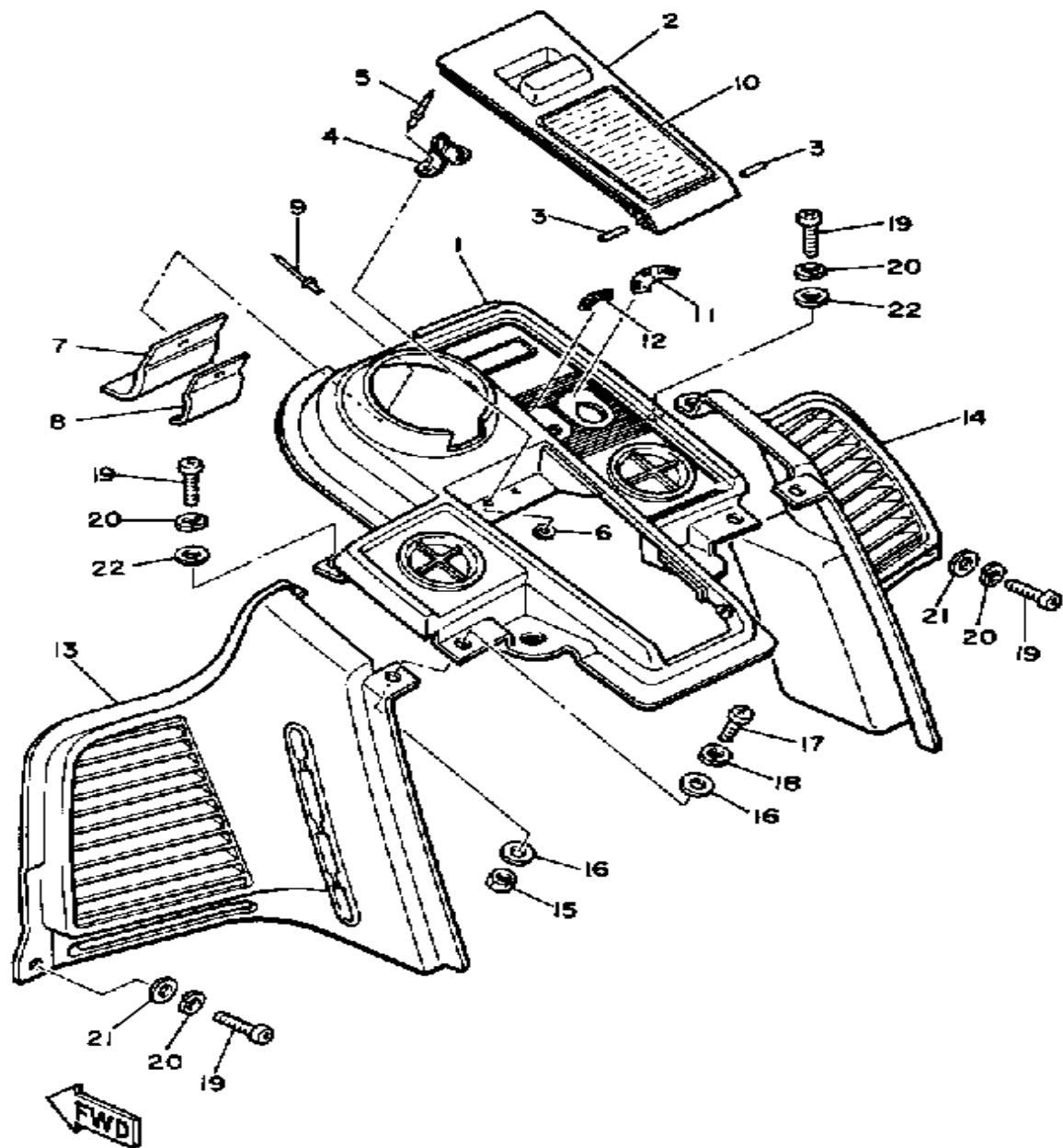


Not For Resale

www.SmallEngineDiscount.com



# INSTRUMENT PANEL SR540D



Ref. No.	Part Number	Description	Qty	Remarks
1	99999-01548-00	PANEL, instrument (8K4-77711-00)	1	
2	8K4-77712-00-00	PANEL, INSTRUMENT	1	
3	8K4-77477-00-00	PIN, HINGE	2	
4	821-24794-01-00	SPRING, SEAT BACK	1	
5	90267-32070-00	RIVET, BLIND	2	
6	90201-03313-00	WASHER, PLATE	2	
7	8K4-77161-00-00	STRIP, WEATHER 1	1	
8	8K4-77185-00-00	PLATE 1	1	
9	90267-48014-00	RIVET, BLIND	1	
10	8K4-77761-00-00	LABEL, WARNING 1	1	
11	8K2-77741-00-00	INDICATOR 1	1	
12	8K4-77742-00-00	INDICATOR 2	1	
13	8K4-77131-00-00	LOUVER 1	1	
14	8K4-77132-00-00	LOUVER 2	1	
15	95380-06600-00	NUT, HEXAGON	2	
16	90201-06059-00	WASHER, PLATE	4	
17	98506-06016-00	SCREW, PANHEAD (92506-06016-00)	2	
18	92906-06100-00	WASHER, SPRING	2	
19	98506-06016-00	SCREW, PANHEAD (92506-06016-00)	4	
20	92906-06100-00	WASHER, SPRING	4	
21	90201-060A3-00	WASHER, PLATE	2	
22	90201-06643-00	WASHER, PLATE	2	

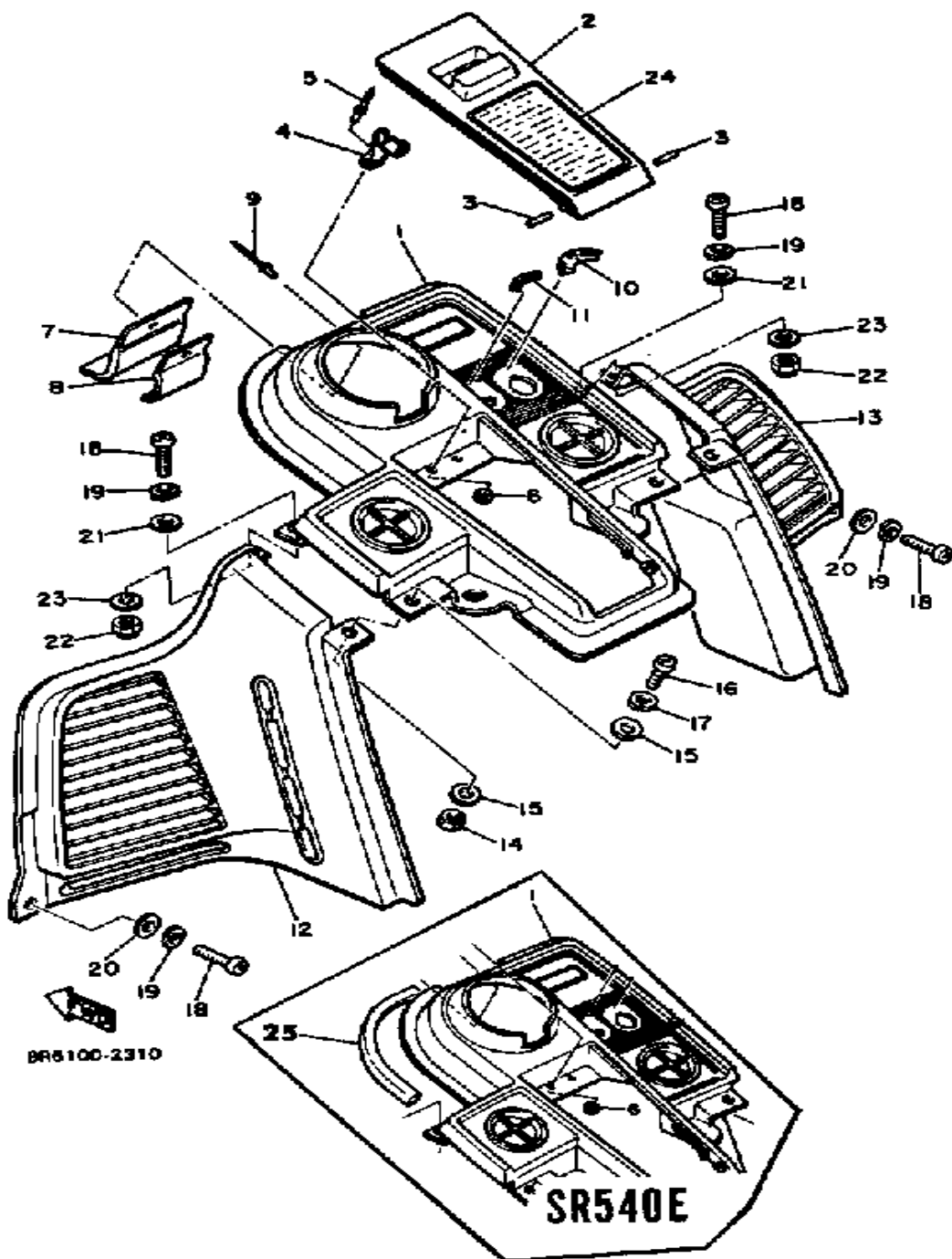
Not For Resale

www.SmallEngineDiscount.com

# INSTRUMENT PANEL SR540E-F

Ref. No.	Part Number	Description	Qty	Remarks
----------	-------------	-------------	-----	---------

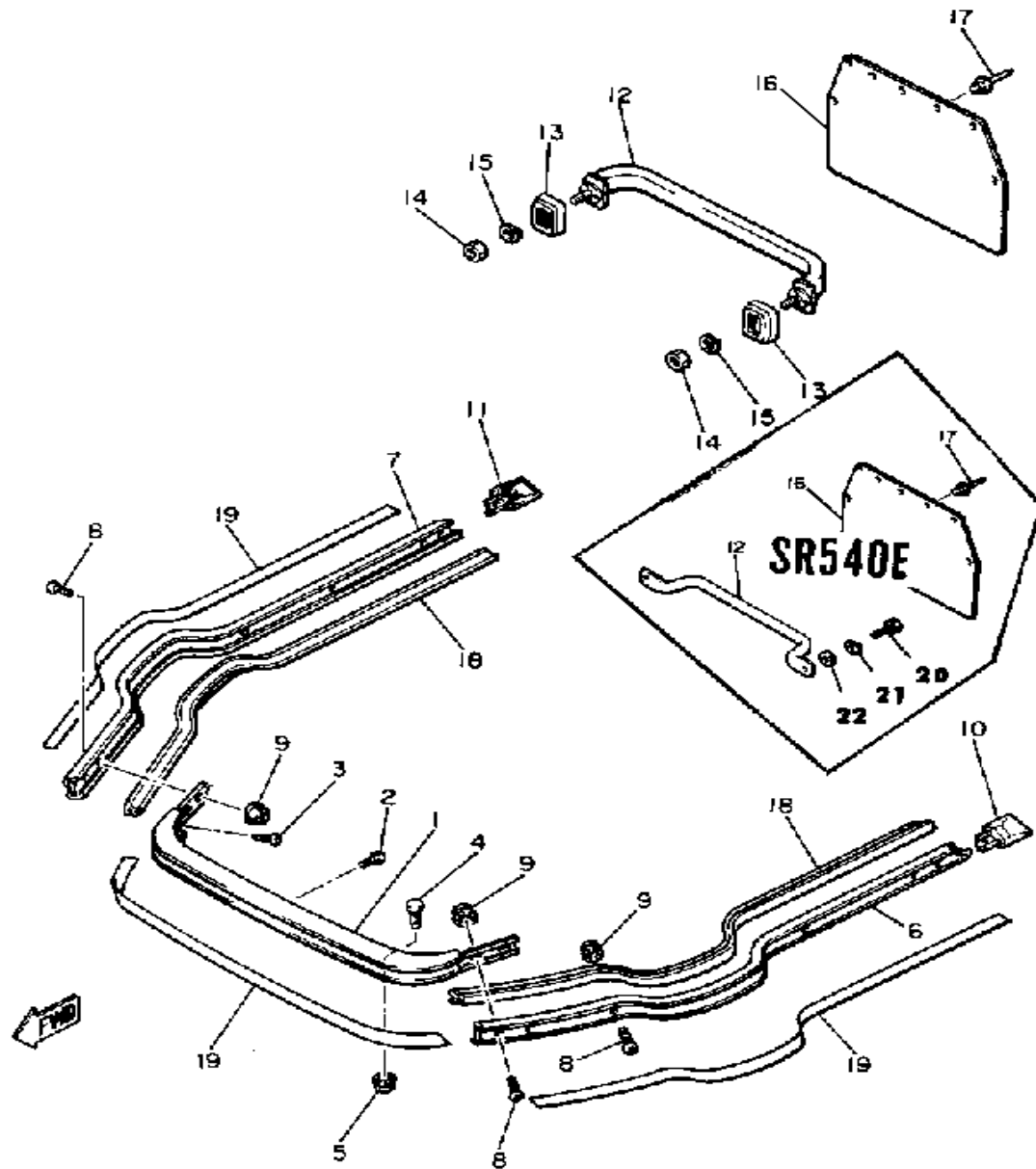
1	8L8-77711-01-00	PANEL INSTRUMENT	1	
2	8K4-77712-00-00	PANEL, INSTRUMENT	1	
3	8K4-77477-00-00	PIN, HINGE	2	
4	821-24794-01-00	SPRING, SEAT BACK	1	
5	90267-32072-00	RIVET, BLIND	2	
6	90201-03313-00	WASHER, PLATE	2	
7	8K4-77161-00-00	STRIP, WEATHER 1	1	
8	8K4-77185-00-00	PLATE 1	1	
9	90267-48014-00	RIVET, BLIND	1	
10	8K2-77741-00-00	INDICATOR 1	1	
11	8K4-77742-00-00	INDICATOR 2	1	
12	8K4-77131-00-00	LOUVER 1	1	
13	8K4-77132-00-00	LOUVER 2	1	
14	95380-06600-00	NUT, HEXAGON	2	
15	90201-06059-00	WASHER, PLATE	4	
16	98506-06016-00	SCREW, PANHEAD (92506-06016-00)	2	
17	92906-06100-00	WASHER, SPRING	2	
18	98506-06016-00	SCREW, PANHEAD (92506-06016-00)	4	
	98516-06020-00	SCREW, PAN HEAD	4	
19	92906-06100-00	WASHER, SPRING	4	
20	90201-060A3-00	WASHER, PLATE	2	
21	92901-06600-00	WASHER	2	
22	95601-06100-00	NUT, U	2	
23	90201-06643-00	WASHER, PLATE	2	
24	8K4-77761-00-00	LABEL, WARNING 1	1	
	8N8-77761-00-00	LABEL, WARNING 1	1	
25	8K4-77162-00-00	STRIP, WEATHER 2	1	



Not For Resale

www.SmallEngineDiscount.com

# BUMPER SR540D-E



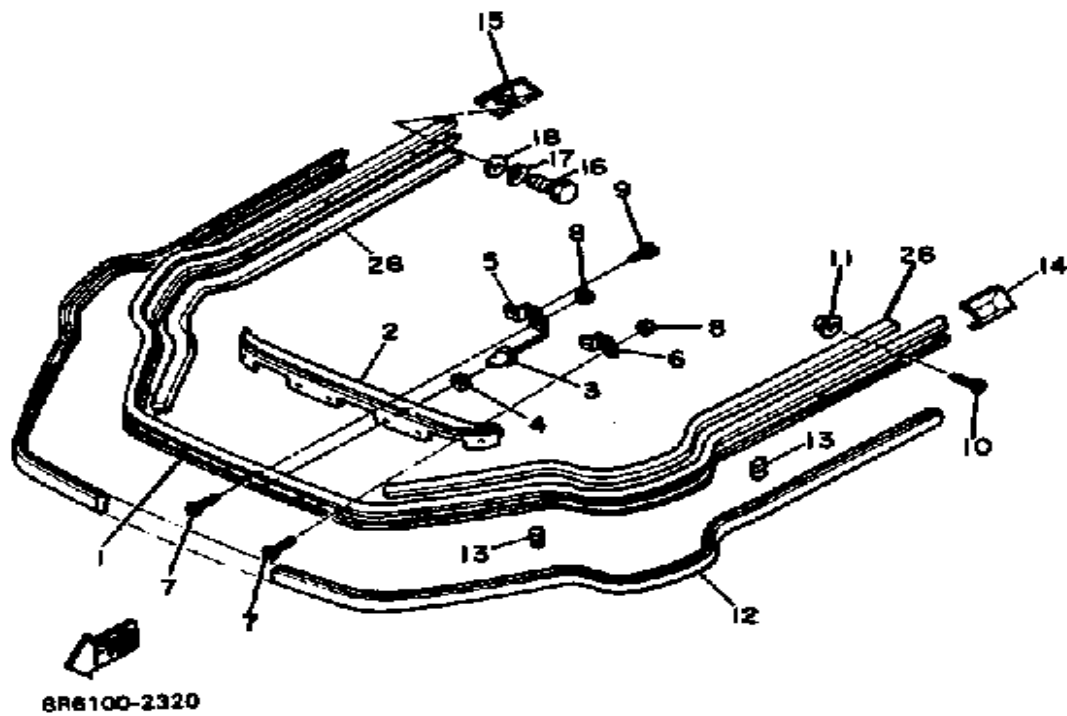
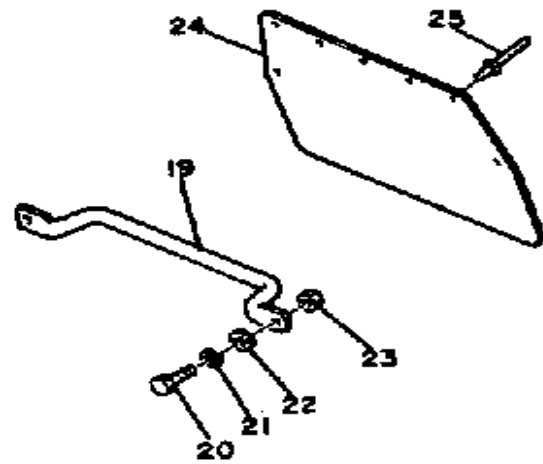
Ref. No.	Part Number	Description	Qty	Remarks
2	98980-06016-00	SCREW, BIND	3	
3	98903-06010-00	SCREW, BIND	2	
4	97026-06014-00	BOLT	2	
5	95706-06300-00	NUT, NYLON	2	
6	8L0-77512-00-00	BUMPER, FRONT 2	1	
	8L9-77512-00-00	BUMPER, FRONT 2	1	
7	8L0-77513-00-00	BUMPER, FRONT 3	1	
	8L9-77513-00-00	BUMPER, FRONT 3	1	
8	98903-06012-00	SCREW, BIND	12	
9	95701-06500-00	NUT, FLANGE	12	
10	8L0-77523-00-00	END, BUMPER	1	
	8L9-77523-00-00	END, BUMPER	1	
11	(8L0-77524-00-00)	END, BUMPER	1	
	8L9-77524-00-00	END, BUMPER	1	
12	8K4-77541-00-00	BUMPER, rear 1	1	
	8L8-77541-00-00	BUMPER, REAR 1	1	
13	8K4-77517-00-00	CAP	2	
14	95333-08600-00	NUT	2	
15	92990-08100-00	WASHER, SPRING	2	
16	8V8-77595-00-00	FLAP	1	
17	90267-48086-00	RIVET, BLIND	5	
18	8L0-77515-00-00	BUSH, RUBBER 1	2	
19	(8L0-77283-00-00)	STRIPE 3	3	
20	97016-08016-00	BOLT	2	
21	92906-08100-00	WASHER, SPRING	2	
22	92906-08600-00	WASHER	2	
25	8L0-77511-00-00	BUMPER, FRONT 1	1	
	8L9-77511-00-00	BUMPER, FRONT 1	1	

Not For Resale

www.SmallEngineDiscount.com

# BUMPER SR540F

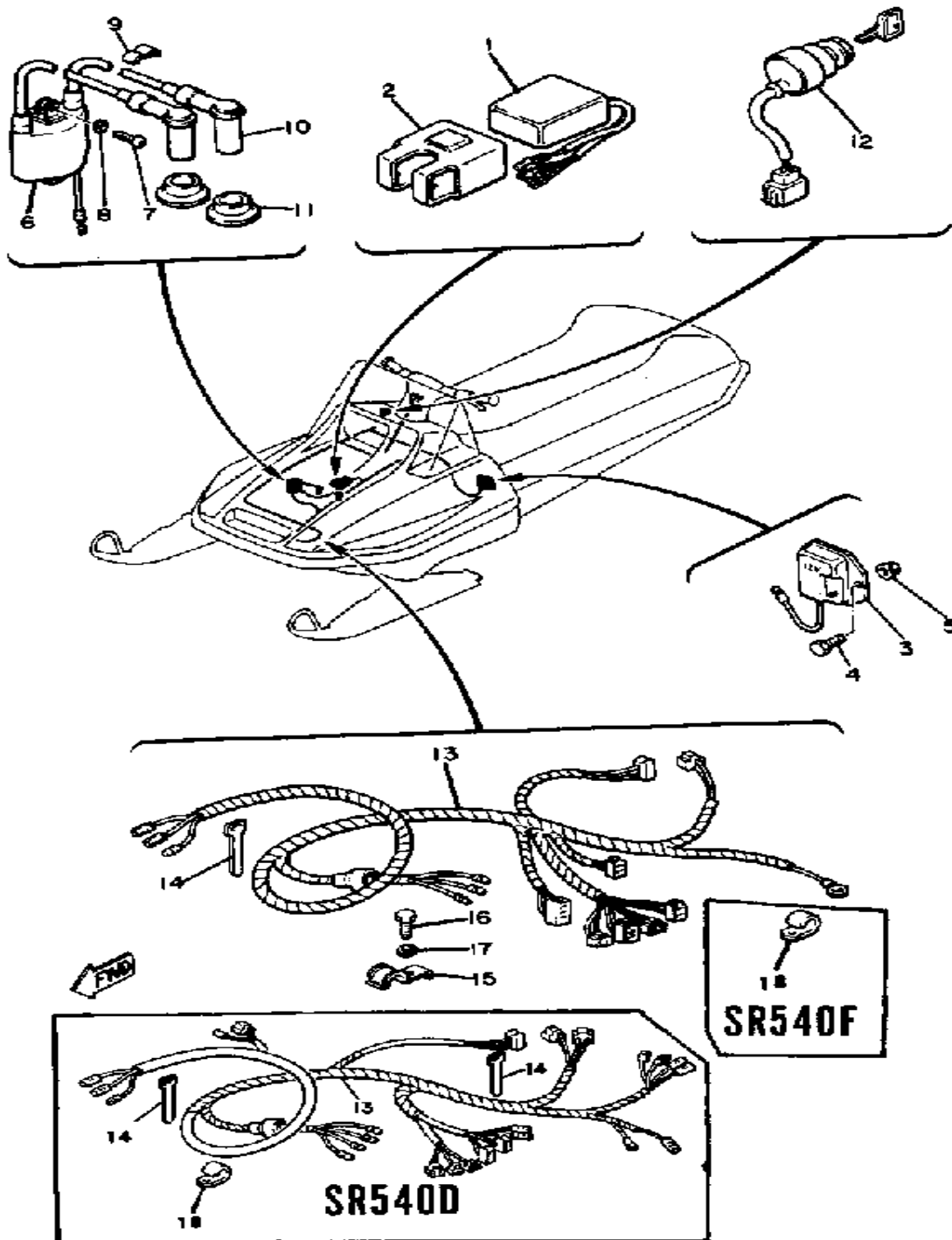
Ref. No.	Part Number	Description	Qty	Remarks
1	8R6-77511-00-00	BUMPER, FRONT 1	1	
2	8R6-77512-00-00	BUMPER, FRONT 2	1	
3	90267-48079-00	RIVET, BLIND	6	
4	90201-04325-00	WASHER, PLATE	6	
5	8N8-77531-00-00	BRACKET, FRONT L (L.H)	1	
6	8N8-77532-00-00	BRACKET, FRONT R (R.H)	2	
7	98701-06012-00	SCREW, FLAT HEAD (92701-06012)	6	
8	95701-06500-00	NUT, FLANGE	6	
9	98903-06014-00	SCREW, BIND	3	
10	98701-06014-00	SCREW, FLAT HEAD	10	
11	95701-06500-00	NUT, FLANGE	10	
12	8R6-77516-00-00	BUSH, RUBBER 2	1	
13	8R6-77527-00-00	PLATE, BACK UP	4	
14	8N8-77523-00-00	END, BUMPER	1	
15	8N8-77524-00-00	END, BUMPER	1	
16	97313-06016-00	BOLT	2	
17	92995-06100-00	WASHER, SPRING	2	
18	92901-06600-00	WASHER	2	
19	8L8-77541-00-00	BUMPER, REAR 1	1	
20	97016-08020-00	BOLT	2	
21	92906-08100-00	WASHER, SPRING	2	
22	92906-08600-00	WASHER	2	
23	95333-08600-00	NUT	2	
24	8V8-77595-00-00	FLAP	1	
25	90267-48086-00	RIVET, BLIND	5	
26	8L0-77515-00-00	BUSH, RUBBER 1	2	



Not For Resale

www.SmallEngineDiscount.com

# ELECTRICAL 1 SR540D-E-F

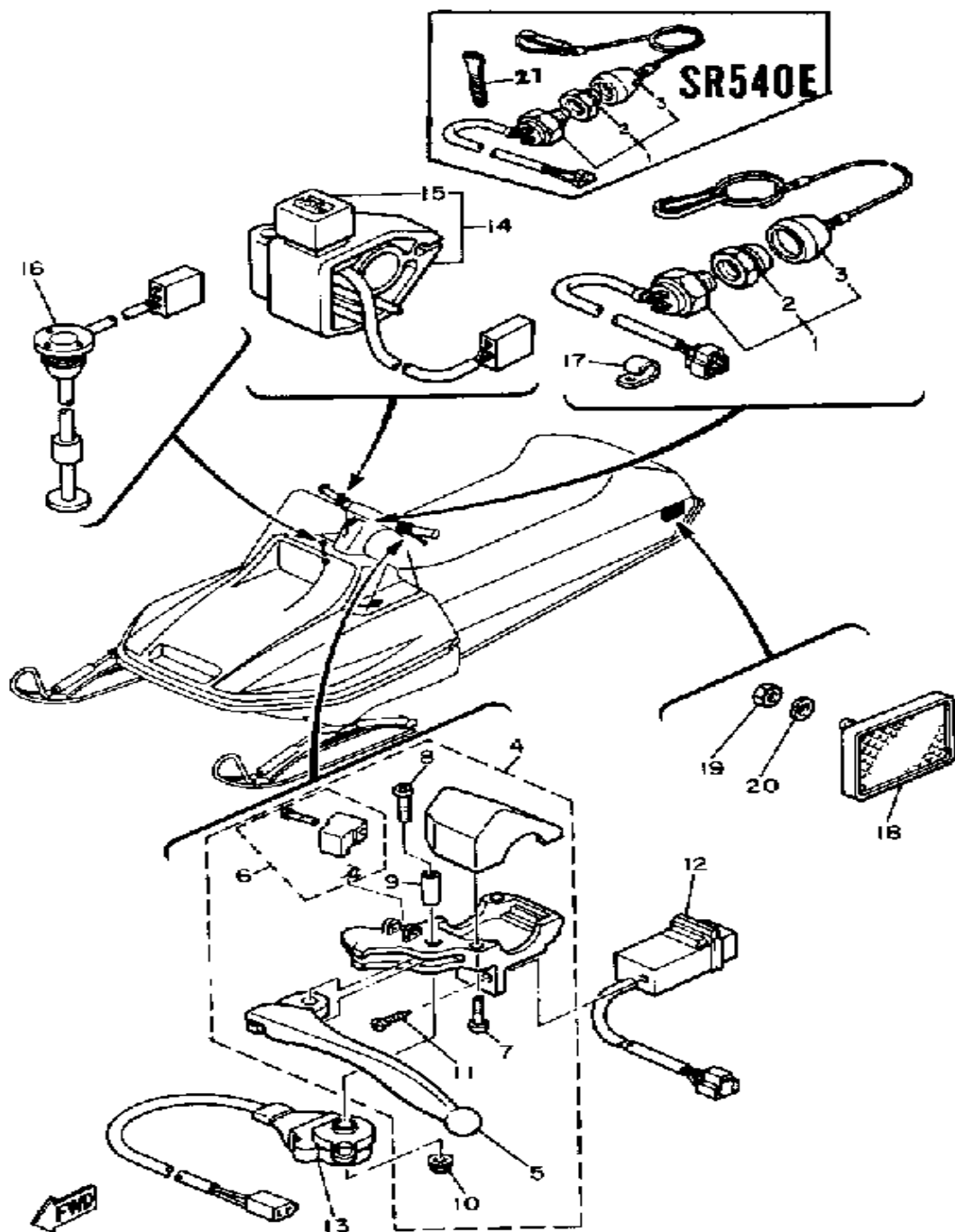


Ref. No.	Part Number	Description	Qty	Remarks
1	8H4-85540-20-00	CDI UNIT ASSEMBLY .....	1	
	8N4-85540-20-00	CDI UNIT ASSEMBLY .....	1	
2	2A7-85546-00-00	BAND .....	1	
3	82F-81910-A0-00	VOLTAGE REGULATOR ASSEMBLY .....	1	
4	97301-06014-00	BOLT, HEXAGON .....	2	
5	95701-06300-00	NUT, NYLON .....	2	
6	8K4-82310-11-00	IGNITION COIL ASSEMBLY ...	1	
7	98580-06020-00	SCREW, PAN HEAD .....	2	
8	92995-06100-00	WASHER, SPRING .....	2	
9	861-82361-00-00	CLAMP, CORD .....	1	
10	8K1-82370-20-00	PLUG CAP ASSY (WITH RESISTOR) .....	2	
11	8G5-82372-00-00	SEAL, PLUG CAP .....	2	
12	8K4-82508-20-00	MAIN SWITCH ASSEMBLY ...	1	
13	8K4-82590-20-00	WIRE HARNESS ASS'Y .....	1	
	8L8-82590-20-00	WIRE HARNESS ASSEMBLY ..	1	
14	437-83936-01-00	BAND, SWITCH CORD .....	1	
	437-83936-01-00	BAND, SWITCH CORD .....	2	
15	90462-06079-00	CLAMP .....	1	
16	97013-06012-00	BOLT .....	1	
17	92995-06100-00	WASHER, SPRING .....	1	
18	90465-08028-00	CLAMP .....	1	
	90465-08028-00	CLAMP .....	2	

Not For Resale

[www.SmallEngineDiscount.com](http://www.SmallEngineDiscount.com)

## ELECTRICAL 2 SR540D-E



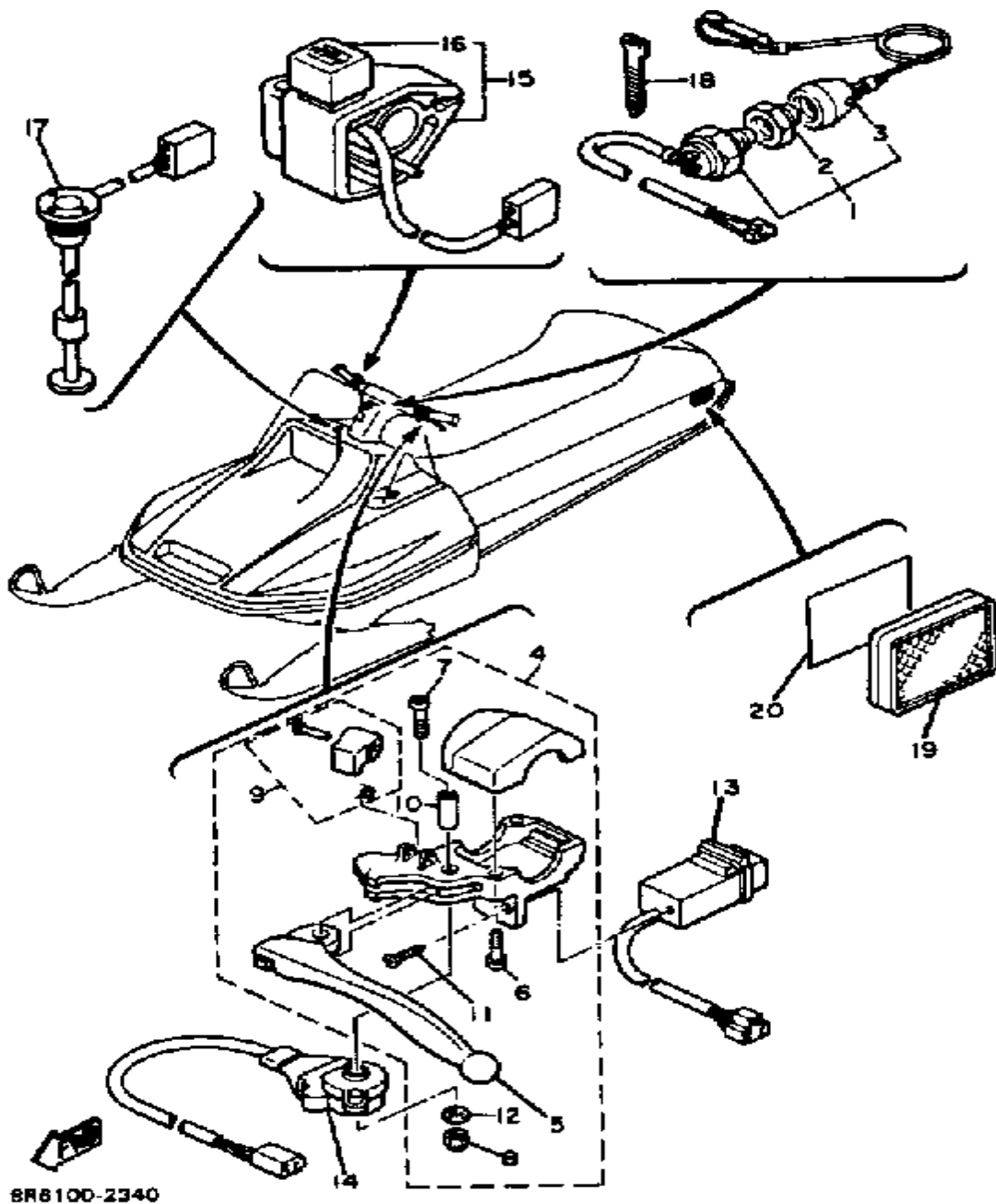
Ref. No.	Part Number	Description	Qty	Remarks
1	8H8-82550-01-00	ENGINE STOP SWITCH ASSEMBLY .....	1	
2	8H8-82557-00-00	. NUT .....	1	
3	8H8-82552-09-00	. CAP, SWITCH .....	1	
4	(8K4-W8291-02-00) 88R-W8291-00-00	LEVER HOLDER ASSEMBLY L LEVER HOLDER ASSEMBLY (LEFT) .....	1	
5	8H8-83912-00-00	. LEVER 1 .....	1	
6	(8H8-83930-00-00) 82A-83930-00-00	LEVER LOCK ASSEMBLY .... . LEVER LOCK ASSEMBLY (8K4-83930-00-00) .....	1	
7	98580-05020-00	. SCREW, PAN HEAD .....	2	
8	98501-05040-00	. SCREW, PAN HEAD (98502-05040) .....	1	
9	802-83913-00-00	. COLLAR, LEVER 1 .....	1	
10	95701-05300-00	. NUT, NYLON .....	1	
11	97780-30312-00	. SCREW, TAPPING (97701-30712-00) .....	2	
12	8H8-83950-01-00	BEAM SWITCH ASSEMBLY ...	1	
13	88R-82530-00-00	STOP SWITCH ASSEMBLY ...	1	
14	(8K4-83976-01-00) 8L8-83976-00-00	SWITCH, HANDLE 1 .....	1	
15	8E3-83956-01-00	. CAP 1 .....	1	
16	4A5-85720-00-00	OIL LVL GAUGE ASSEMBLY (8K2-85720-00) .....	1	
17	90465-08028-00	CLAMP .....	1	
18	8J7-85131-00-00	REFLECTOR, REAR 1 .....	2	
19	95380-06600-00	NUT, HEXAGON .....	2	
20	92995-06100-00	WASHER, SPRING .....	2	
21	437-83936-01-00	BAND, SWITCH CORD .....	1	

Not For Resale

www.SmallEngineDiscount.com

## ELECTRICAL 2 SR540F

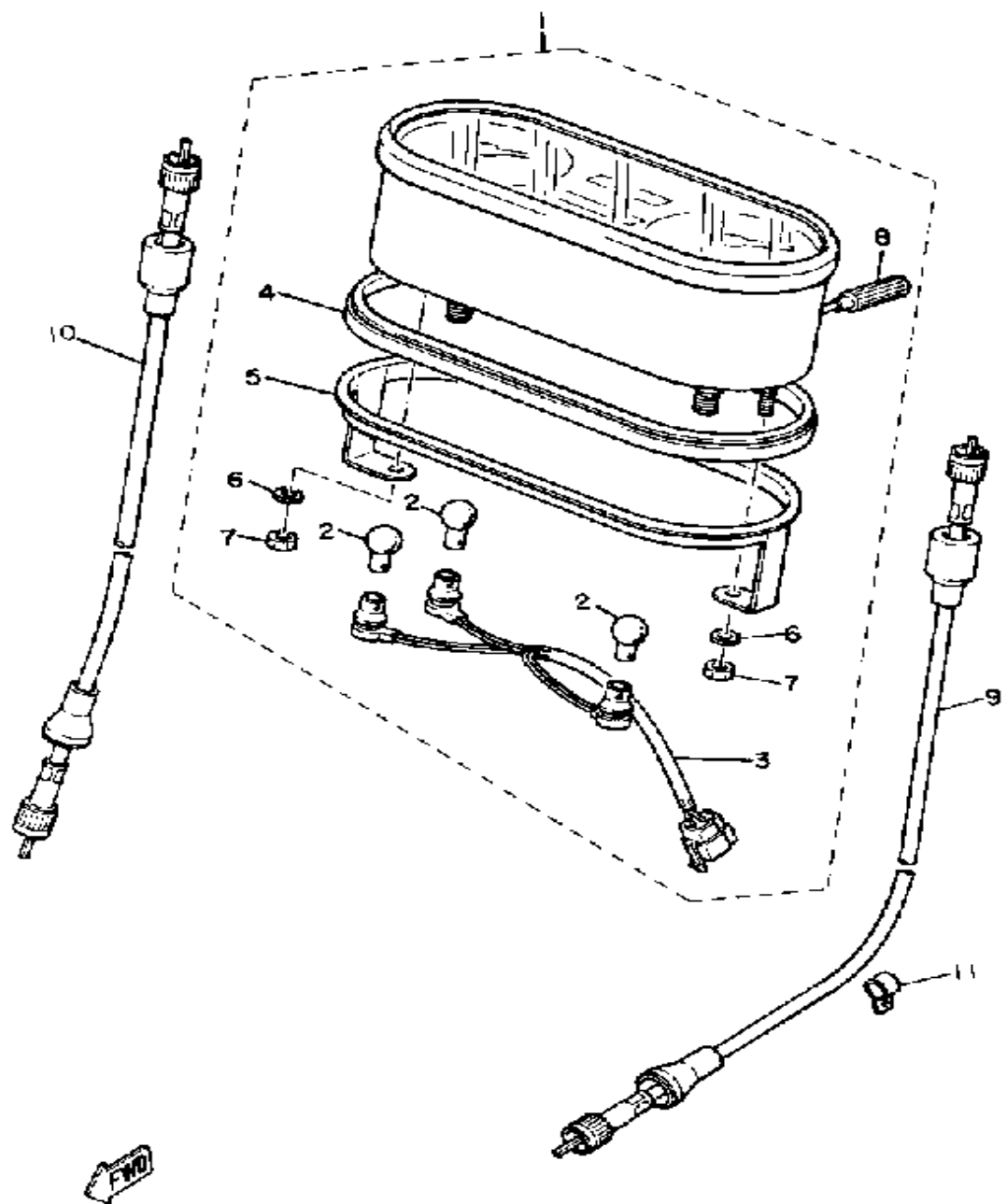
Ref. No.	Part Number	Description	Qty	Remarks
1	8H8-82550-01-00	ENGINE STOP SWITCH ASSEMBLY .....	1	
2	8H8-82557-00-00	. NUT .....	1	
3	8H8-82552-09-00	. CAP, SWITCH .....	1	
4	88R-W8291-00-00	LEVER HOLDER ASSEMBLY (LEFT) .....	1	
5	8H8-83912-00-00	. LEVER 1 .....	1	
6	90157-05027-00	. SCREW, PAN HEAD .....	2	
7	98501-05040-00	. SCREW, PAN HEAD (98502-05040) .....	1	
8	95701-05300-00	. NUT, NYLON .....	1	
9	82A-83930-00-00	. LEVER LOCK ASSEMBLY (8K4-83930-00-00) .....	1	
10	802-83913-00-00	. COLLAR, LEVER 1 .....	1	
11	97780-30312-00	. SCREW, TAPPING (97701-30712-00) .....	2	
12	92990-05200-00	. WASHER, PLAIN .....	1	
13	8H8-83950-01-00	BEAM SWITCH ASSEMBLY ...	1	
14	88R-82530-00-00	STOP SWITCH ASSEMBLY ...	1	
15	8L8-83976-00-00	SWITCH, HANDLE 1 .....	1	
16	8E3-83956-01-00	. CAP 1 .....	1	
17	4A5-85720-00-00	OIL LVL GAUGE ASSEMBLY (8K2-85720-00) .....	1	
18	437-83936-01-00	BAND, SWITCH CORD .....	1	
19	81G-85130-00-00	REAR REFLECTOR ASSEMBLY	2	
20	878-85133-00-00	TAPE, REFLECTOR .....	2	



Not For Resale

www.SmallEngineDiscount.com

# METER SR540D-E-F



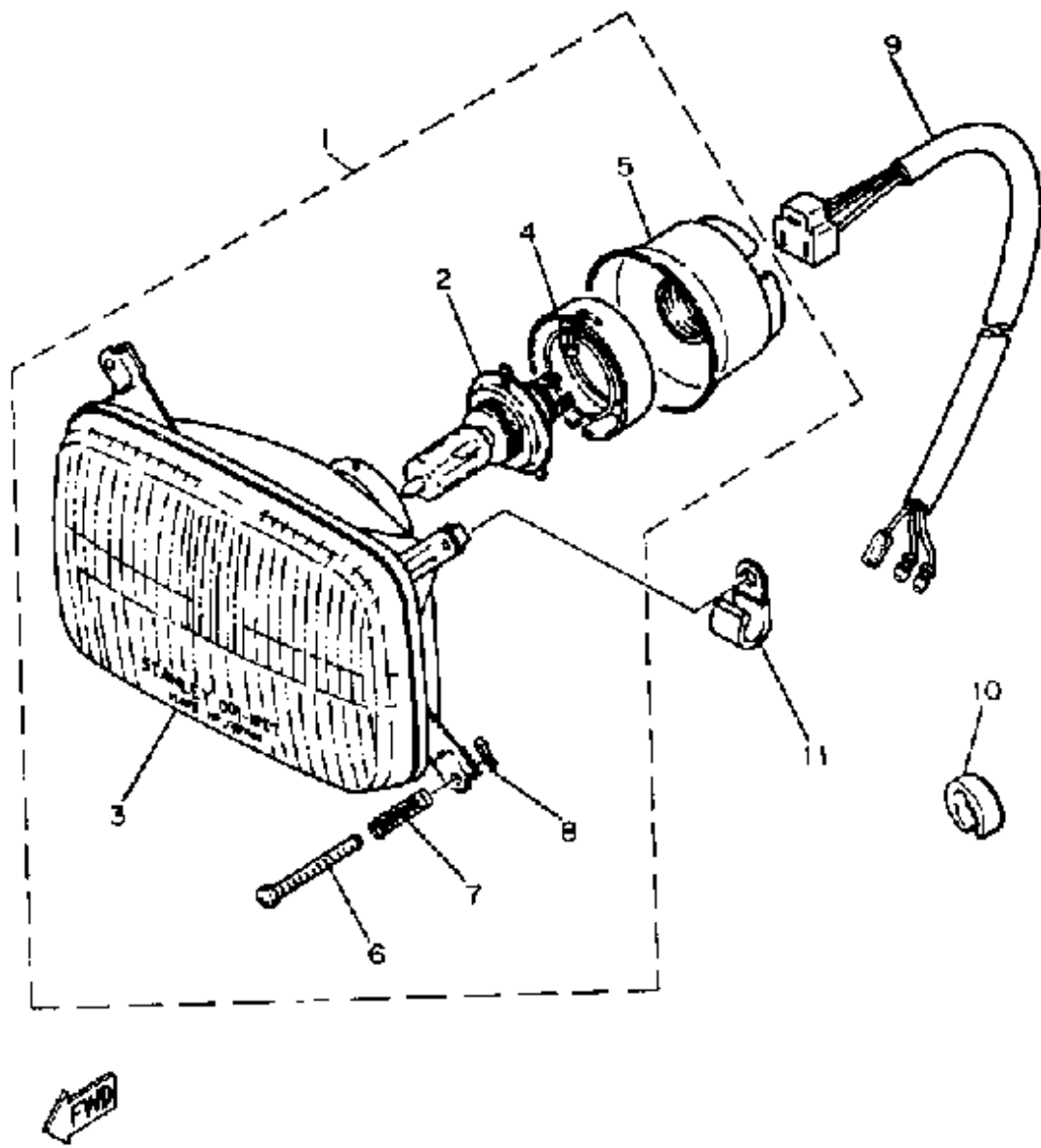
Ref. No.	Part Number	Description	Qty	Remarks
1	8K4-83500-21-00	SPEEDOMETER ASS'Y (8K4-83500-20) .....	1	
	8L8-83500-40-00	SPEEDOMETER ASSEMBLY ..	1	
2	123-83516-21-00	. BULB (12V-3.4W) .....	3	
3	8K4-83536-00-00	. SOCKET, METER .....	1	
4	8K4-83513-00-00	. DAMPER .....	1	
5	8K4-83519-01-00	. BRACKET, METER .....	1	
6	92990-05100-00	. WASHER, SPRING .....	2	
7	95380-05600-00	. NUT .....	2	
8	8L8-83578-00-00	. KNOB, TRIP METER .....	1	
9	8K4-83550-00-00	SPEEDOMETER CABLE ASSEMBLY .....	1	
10	8A1-83550-02-00	TACHOMETER CABLE ASSEMBLY .....	1	
11	90461-06M01-00	CLAMP .....	1	

Not For Resale

[www.SmallEngineDiscount.com](http://www.SmallEngineDiscount.com)



## HEADLIGHT SR540D-E-F

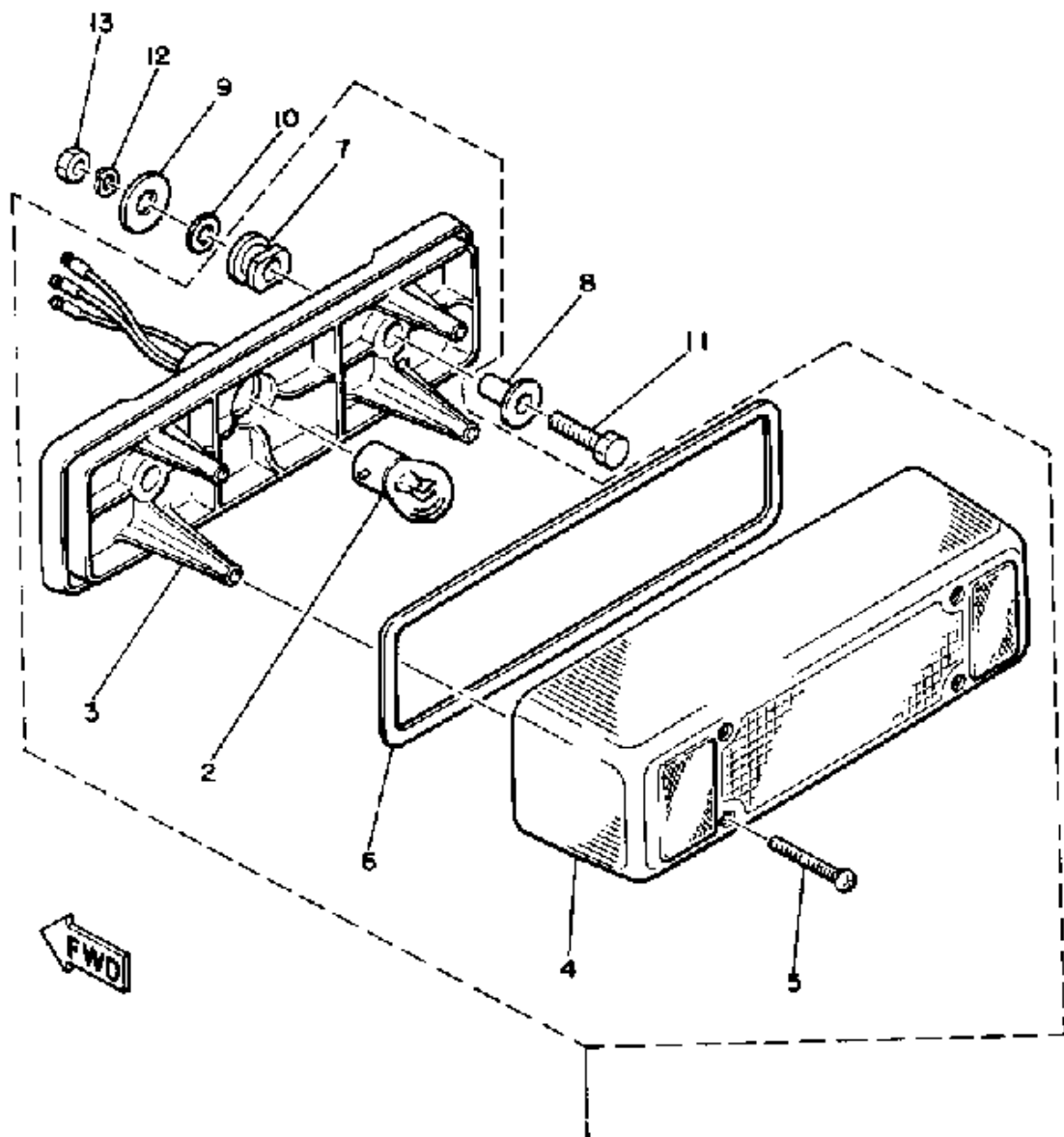


Ref. No.	Part Number	Description	Qty	Remarks
1	8M6-84310-00-00	HEADLIGHT UNIT ASSEMBLY .	1	
2	5V2-84314-00-XX	. BULB (12V-60/55W) . . . . .	1	
3	8K4-84320-00-00	. LENS ASSEMBLY . . . . .	1	
4	8A7-84312-00-00	. SOCKET . . . . .	1	
5	8A7-84397-01-00	. COVER, SOCKET . . . . .	1	
6	8M6-84331-00-00	. SCREW, RIM ADJUSTING . . .	4	
7	8A5-84332-00-00	. SPRING, SCREW . . . . .	4	
8	8K4-84374-00-00	. CLIP . . . . .	4	
9	8H8-84359-00-00	CORD, HEADLIGHT . . . . .	1	
10	90464-10038-00	CLAMP . . . . .	1	
11	90465-08028-00	CLAMP . . . . .	2	

Not For Resale

www.SmallEngineDiscount.com

## TAILLIGHT SR540D-E

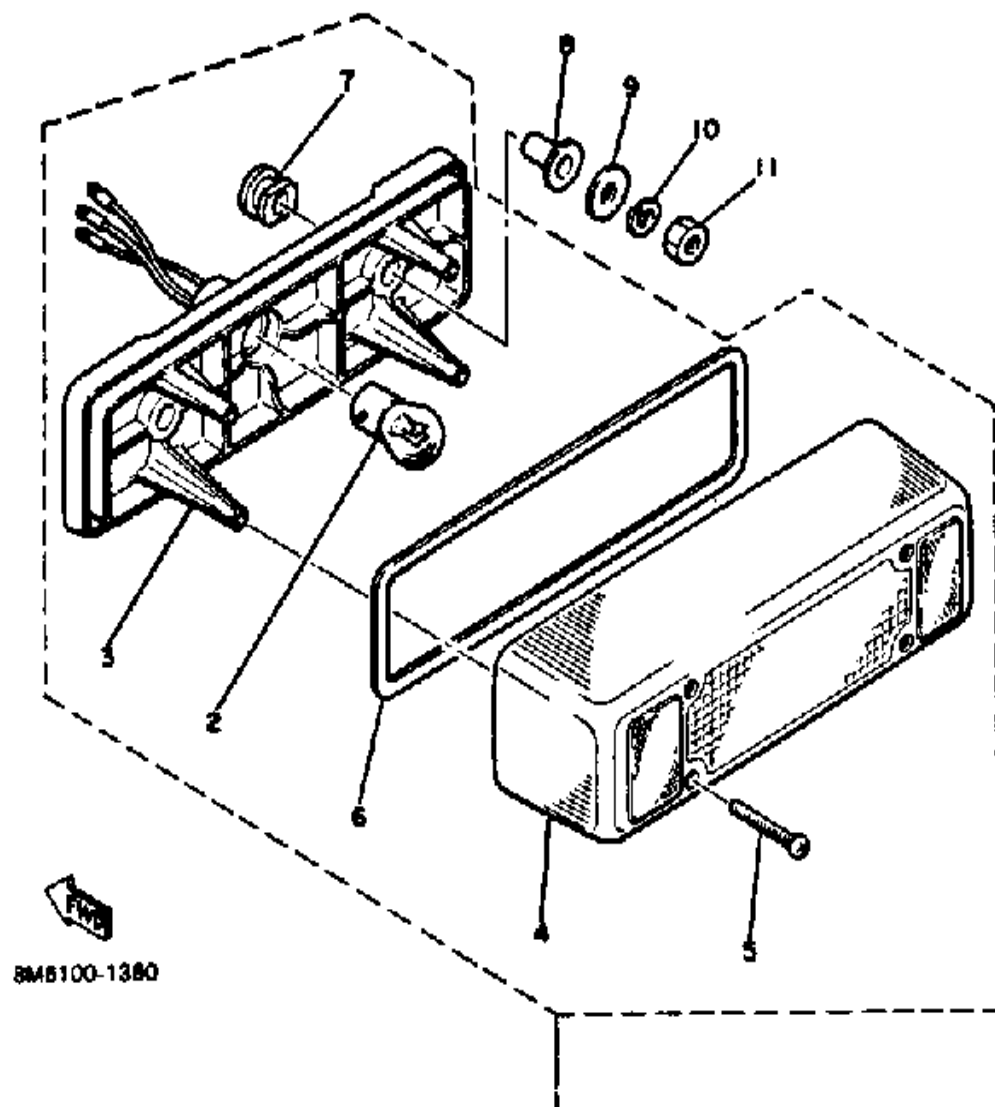


Ref. No.	Part Number	Description	Qty	Remarks
1	8K4-84710-00-00	TAILLIGHT UNIT ASSEMBLY ..	1	
2	137-84714-61-00	. BULB, TL 12V23/8W .....	1	
3	8K4-84711-00-00	. BASE, TAILLIGHT .....	1	
4	8K4-84721-00-00	. LENS, TAILLIGHT .....	1	
5	97780-40130-00	. SCREW, TAPPING .....	4	
6	87M-84723-00-00	. GASKET, TAIL LENS .....	1	
7	8K4-84718-00-00	. GROMMET .....	2	
8	90387-060G8-00	COLLAR .....	2	
9	90201-06407-00	WASHER, PLATE .....	2	
10	90201-06057-00	WASHER, PLATE .....	2	
11	97013-06035-00	BOLT .....	2	
12	92995-06100-00	WASHER, SPRING .....	2	
13	95380-06600-00	NUT, HEXAGON .....	2	

Not For Resale

[www.SmallEngineDiscount.com](http://www.SmallEngineDiscount.com)

# TAILLIGHT SR540F



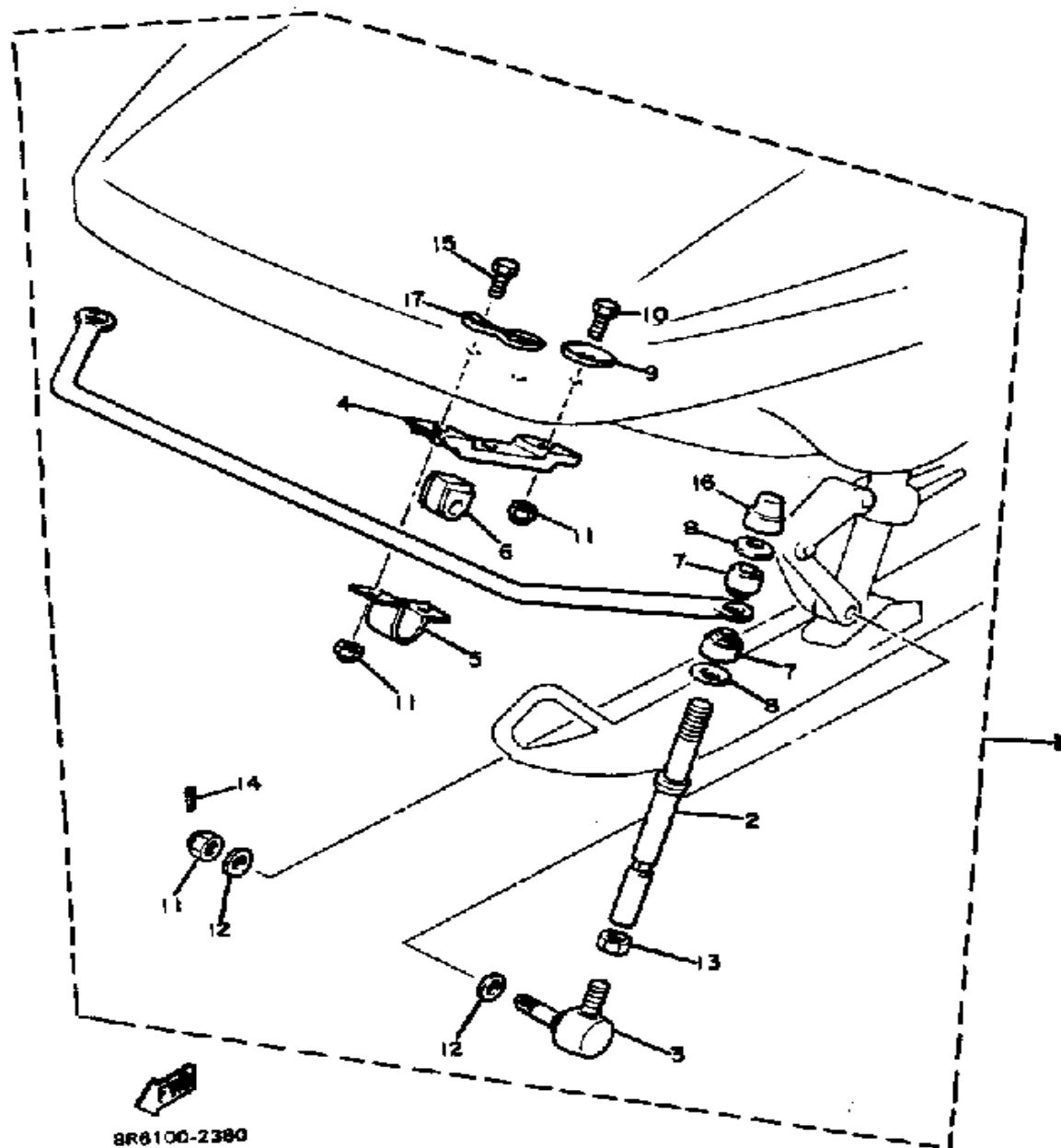
8M8100-1380

Ref. No.	Part Number	Description	Qty	Remarks
1	8K4-84710-00-00	TAILLIGHT UNIT ASSEMBLY ..	1	
2	137-84714-61-00	. BULB, TL 12V23/8W .....	1	
3	8K4-84711-00-00	. BASE, TAILLIGHT .....	1	
4	8K4-84721-00-00	. LENS, TAILLIGHT .....	1	
5	97780-40130-00	. SCREW, TAPPING .....	4	
6	87M-84723-00-00	. GASKET, TAIL LENS .....	1	
7	87M-84723-00-00	. GASKET, TAIL LENS .....	2	
8	90387-060G8-00	COLLAR .....	2	
9	90201-06407-00	WASHER, PLATE .....	2	
10	92995-06100-00	WASHER, SPRING .....	2	
11	95380-06600-00	NUT, HEXAGON .....	2	

Not For Resale

[www.SmallEngineDiscount.com](http://www.SmallEngineDiscount.com)

# STABILIZER KIT (OPTIONAL) SR540F



Ref. No.	Part Number	Description	Qty	Remarks
1	8U7-W0051-00-00	STABILIZER KIT-SRV (8L9-W0051-00)	1	
2	8L9-2386F-10-00	. LINK, STABLZR FRONT	2	
3	8L9-23841-10-00	. JOINT, UNIVERSAL 1	2	
4	8L9-23896-10-00	. BRACKET 5	2	
5	8M6-2386H-10-00	. COVER, STABLZR FRT	2	
6	8L9-2386G-10-00	. BUSH, STABLZR FRONT	2	
7	8L9-2386J-10-00	. CUSHION	4	
8	8L9-2386K-10-00	. RETAINER	4	
9	8L9-23779-10-00	. WASHER	2	
10	(97306-10020-00)	BOLT, HEXAGON	2	
11	95706-10300-00	. NUT, NYLON	10	
12	90201-115A7-00	. WASHER, PLATE	4	
13	95306-10700-00	. NUT	2	
14	91490-20020-00	. PIN, COTTER (91401-20020-00)	2	
15	(97306-10025-00)	BOLT, HEXAGON	4	
16	8L9-23742-10-00	. CAP 2	2	
17	8L9-23774-10-00	. PLATE	2	

Not For Resale

www.SmallEngineDiscount.com

## SR540E

### 1981 SERVICE/HIGH ALTITUDE TUNING DATA

<b>MODEL - IBM I.D. NUMBER</b>	SR540E	8L9
Starting Engine and Frame Number	SA535-016101 / 8L9-016101	
Dry Vehicle Weight	N/A	
<b>ENGINE - Type / Induction System</b>	2-Stroke, 7-Port Reed Valve, Forced Air-Cooled	
Bore x Stroke x Cylinders / Displacement	73 x 64mm x 2 / 535cc	
Compression Ratio	6.0:1	
Piston Skirt Clearance (New/Max)	.055 ~ .060mm / 0.1mm	
Ring End Gap (Top/2nd)	0.3mm ~ 0.5mm / 0.3mm ~ 0.5mm	
Ring Groove Clearance (Top/2nd)	0.02 ~ 0.06mm / 0.02 ~ 0.06mm	
Coolant Type / Mixing Ratio	Ø / Ø	
<b>CARBURETOR - Mfr. / Type / I.D. Number</b>	Keihin / BD44-38 / 8L9-00	
Quantity / Venturi Size (Measured/Effective)	1 / 44mm / 38mm	
Main Jet / Main Air Jet	150 / 180	
Partial Jet / Slow Jet / Slow Air Jet / Air Screw	Ø / 92 / 100 / Ø	
Pilot Jet / Pilot Screw	Ø / 2-1/4 Turns Out	
Needle Jet/Jet Needle-Clip Position/Cutaway/Air Jet	Ø / Ø / Ø / Ø	
Power Jet / Power Air Jet	150 / 170	
Fuel Inlet Valve / Float Level / Fuel Level	2.0 / 15 ± 1.0mm / Ø	
Idle Speed	1500 rpm	
<b>AUTOLUBE - Pump Color / Control Rod Adj.</b>	Pink / 25 ± 1mm @ Pump Wire Assembly at Idle	
Pump Plunger Stroke (Min) (Max)	0.02 ~ 0.25mm / 1.65 ~ 1.87mm	
Output @ 200 Strokes (Full Throttle/Idle)	7.84 ~ 8.89cc / 0.95 ~ 1.19cc	
<b>DRIVE - Type</b>	V-Belt Automatic	
Primary Sheave Engagement rpm	3400 rpm / 6900 rpm	
Belt Length / Width / Wear Limit / IBM Number	1099mm / 31.6mm / 26mm / 8F2	
Primary Ratio(s)	3.5:1 ~ 1:1	
Sheave Center to Center / Offset	270 ±3mm / 11mm	
Primary Spring Color / Length / Rate	Yel-Pink / 81.5mm / 1.5 kg/mm	
Secondary Spring Pre-Load/Part Number/Color	210° / 90508-45286-00 / Yellow	
Secondary Drive Ratio/Chain Pitch-Type/Free Play	1.82 (31/17) / 9.525mm - #35-3 / 10 ±3mm	
Track (Width) / Tension	381mm / 25 ± 5mm @ 10.0 kg	
<b>CAPACITIES - Chain Case / Quantity / Type</b>	250cc (8.4 oz.) / SAE 75 ~ 80 Gear Oil	
Fuel Tank / Quantity / Grade	26.6 Lit. (7.0 Gal.) / Unleaded or Leaded Regular	
Autolube Tank / Quantity / Type	2.5 Lit. (2.64 Qts.) / Yamalube 2*	
<b>ELECTRICAL - Mfr. / Type</b>	Mitsubishi / CDI	
Battery: Model / Spec Gravity / Charge Rate	Ø	
Lighting Output at Full Load	11.8V @ 3000 rpm (@ 80°C)	
Headlight / Taillight / Instrument Ratings	12V60-55W / 12V23-8W / 12V3.4W	
Lighting Coil Resistance	Yel ~ Blk 0.19 Ω ± 10%	
Ignition Source Coil Resistance (Charge Coil)	Brn ~ Blk / 350 Ω ± 10%	
Pulse Coil Resistance	Wht-Red ~ Blk / 9.0 Ω ± 10%	
Ignition Coil Resistance Primary / Secondary	0.15 Ω ± 10% / 3.6K Ω ± 20%	
Spark Plug Type / Gap / Torque	NGK BR9EV / 0.7 ~ 0.8mm / 2.7 m·kg	
Timing (BTDC)	1.5mm BTDC (14° @ 7000 rpm)	

Ø = Does Not Apply To This Model  
 \* = Available from YPDI Warehouse

N/A = Information Not Available

SERVICE COPY	SER MGR	MECH	MECH	MECH	BINDER
OFFICE COPY	GEN MGR	SALES	PARTS	BINDER	PAGE 1 OF 2

#### 1981 SR540E HIGH ALTITUDE SPECIFICATIONS

	STANDARD SETTING	HIGH ALTITUDE
Idle	1500 rpm ± 100	1500 rpm ± 100
Clutch Engagement	3400 rpm ± 100	3600 rpm ± 100
Shift speed	6900 rpm ± 100	6900 rpm ± 100
Main Jet	#150	See "Setting Chart"
Slow Jet	# 92	#95
Low Speed Mixture Screw	2.0 Turns	2.0 Turns
Reduction Ratio	17/31	15/33
Primary Spring	90501-50622-00	90501-55487-00
Primary Weight	8L9-17632-00	8L8-17632-00
Primary Weight Rivets	#2 Hole	As Needed To Achieve Proper Engine rpm
Secondary Spring Twist	#3 Hole 210°	#4 Hole 240°

#### NOTE:

- Pilot jets to be selected according to engine response.
- To prevent fuel pump vapor lock in extremely warm conditions remove louver and air duct located in front of headlight.

#### MAIN JET SETTING CHART

Elevation	Temperature	-30°C	-20°C	-10°C	0°C	10°C	20°C
		(-22°F)	(-4°F)	(14°F)	(32°F)	(50°F)	(68°F)
Sea Level					#150		
600m (2000 ft.)		#155					#145
1200m (4000 ft.)		#155		#150			#145
1800m (6000 ft.)		#150		#145			#140
2400m (8000 ft.)		#145		#140			#135
3000m (10,000 ft.)		#140		#135			#130
		#135		#130			#125

#### 1981 SR540E ALTERNATE PARTS LIST

MAIN JET SIZE	PART NUMBER
#153	3A6-14516-55-00
#150	3A6-14516-50-00*
#145	3A6-14516-45-00
#140	3A6-14516-40-00
#135	3A6-14516-35-00
#130	3A6-14516-30-00
#125	3A6-14516-25-00

GEARING	PART NUMBER
17 T	878-17682-70*
15 T	878-17682-50
31 T	878-47587-00*
33 T	888-47587-00

SLOW JET SIZE	PART NUMBER
#100	8G6-14948-27-00*
# 95	8G6-14948-25-00

\*Standard

## SR540F

### 1982 SERVICE/HIGH ALTITUDE TUNING DATA

<b>MODEL — IBM I.D. NUMBER</b>	SR540F	8R6
Starting Engine and Frame Number	SA535-027101 / 8R6-027101	
Dry Vehicle Weight	190 kg	
<b>ENGINE — Type / Induction System</b>	2-Stroke, 7-Port Reed Valve, Forced Air-Cooled	
Bore x Stroke x Cylinders / Displacement	73 x 64mm x 2 / 535cc	
Compression Ratio	6.0:1	
Piston Skirt Clearance (New/Max)	.055 ~ .060mm / 0.1mm	
Ring End Gap (Top/2nd)	0.2mm ~ 0.4mm / 0.2mm ~ 0.4mm	
Ring Groove Clearance (Top/2nd)	0.02 ~ 0.06mm / 0.02 ~ 0.06mm	
Coolant Type / Mixing Ratio	Ø / Ø	
<b>CARBURETOR — Mfr. / Type / I.D. Number</b>	Keihin / BD44-38 / 8R6-00	
Quantity / Venturi Size (Measured/Effective)	1 / 44mm / 38mm	
Main Jet / Main Air Jet	155 / 180	
Partial Jet / Slow Jet / Slow Air Jet / Air Screw	Ø / 92 / 100 / Ø	
Pilot Jet / Pilot Screw	Ø / 2 Turns Out	
Needle Jet/Needle-Clip Position/Cutaway/Air Jet	Ø / Ø / Ø / Ø	
Power Jet / Power Air Jet	150 / 170	
Fuel Inlet Valve / Float Level / Fuel Level	2.0 / 15 ±.3mm / Ø	
Idle Speed	1500 rpm	
<b>AUTOLUBE — Pump Color / Control Rod Adj.</b>	Gry / 25 ± 1mm @ Pump Wire Assembly @ Idle	
Pump Plunger Stroke (Min / Max)	0.02 ~ 0.25mm / 1.65 ~ 1.87mm	
Output @ 200 Strokes (Full Throttle/Idle)	7.84 ~ 8.89cc / 0.95 ~ 1.19cc	
<b>DRIVE — Type</b>	V-Belt Automatic	
Primary Sheave Engagement rpm	3600 rpm / 7000 rpm	
Belt Length / Width / Wear Limit / IBM Number	1099mm / 31.6mm / 26mm / 8F2	
Primary Ratio(s)	3.5:1 ~ 1:1	
Sheave Center to Center / Offset	270 ±.3mm / 11mm	
Primary Spring Color / Length / Rate	Grn-Org / 78.6mm / 2.1 kg/mm	
Secondary Spring Pre-Load/Part Number/Color	90° / 90508-45508-00 / Green	
Secondary Drive Ratio/Chain Pitch-Type/Free Play	1.82 (31/17) / 9.525mm — #35-3 / 10 ±.3mm	
Track (Width) / Tension	381mm / 25 ±.3mm @ 10.0 kg	
<b>CAPACITIES — Chain Case / Quantity / Type</b>	250cc / SAE 75 ~ 80 Gear Oil	
Fuel Tank Quantity / Grade	26.6 Lit. / Unleaded or Leaded Regular	
Autolube Tank Quantity / Type	2.5 Lit. / Yamalube 2*	
<b>ELECTRICAL — Manufacturer / Type</b>	Mitsubishi / CDI	
Battery: Model / Specific Gravity / Charge Rate	Ø	
Lighting Output @ Full Load	11.8V @ 3000 rpm (@ 80°C)	
Headlight / Taillight / Instrument Ratings	12V60-55W / 12V23-8W / 12V3.4W	
Lighting Coil Resistance	Yel ~ Blk 0.19 Ω ± 10%	
Ignition Source Coil Resistance (Charge Coil)	Brn ~ Blk 590 Ω ± 10%	
Pulse Coil Resistance	Whi-Red ~ Blk / 15.1 Ω ± 10%	
Ignition Coil Resistance Primary / Secondary	0.15 Ω ± 10% / 3.5K Ω ± 20%	
Spark Plug Type / Gap / Torque	NGK BR9EV / 0.7 ~ 0.8mm / 2.7 m-kg	
Timing (BTDC)	1.5mm BTDC (14° @ 7000 rpm)	

Ø = Does Not Apply To This Model  
 \* = Available from YPDI Warehouse

NA = Information Not Available

SERVICE COPY	SER MGR	MECH	MECH	MECH	BINDER
OFFICE COPY	GEN MGR	SALES	PARTS	BINDER	PAGE 1 OF 2

#### 1982 SR540F HIGH ALTITUDE SPECIFICATIONS

	STANDARD SETTING	HIGH ALTITUDE
Idle	1500 rpm ± 100	1500 rpm ± 100
Clutch Engagement	3600 rpm ± 200	3600 rpm ± 200
Shift speed	7000 rpm ± 200	7000 rpm ± 200
Main Jet	#155	See "Setting Chart"
Slow Jet	#92	#92
Low Speed Mixture Screw	2.0 Turns	2.0 Turns
Reduction Ratio	17/31	15/33
Primary Spring	90501-55672-00	90501-50500-00
Primary Weight	8R6-17633-00	8R9-17633-00
Primary Weight Rivets	#1 & #2 Hole	#1 Hole
Secondary Spring Twist	#3 Hole 90°	#3 Hole 90°

**NOTE:**

1. Pilot jets to be selected according to engine response.
2. To prevent fuel pump vapor lock in extremely warm conditions remove louver and air duct located in front of headlight.

**MAIN JET SETTING CHART**

Elevation	Temperature	-30°C	-20°C	-10°C	0°C	10°C	20°C
		(-22°F)	(-4°F)	(14°F)	(32°F)	(50°F)	(68°F)
Sea Level		← #150 →					
600m (2000 ft.)		← #155 →	← #145 →				← #145 →
1200m (4000 ft.)		← #150 →	← #140 →				← #140 →
1800m (6000 ft.)		← #145 →	← #135 →				← #135 →
2400m (8000 ft.)		← #140 →	← #130 →				← #130 →
3000m (10,000 ft.)		← #135 →	← #125 →				← #125 →
		← #130 →	← #120 →				← #120 →

**ALTERNATE PARTS LIST**

MAIN JET SIZE	PART NUMBER	SLOW JET SIZE	PART NUMBER
#155	8A6-14516-55-00*	#100	8G6-14948-27-00
#150	8A6-14516-50-00	#95	8G6-14948-25-00
#145	8A6-14516-45-00		
#140	8A6-14516-40-00		
#135	8A6-14516-35-00		
#130	8A6-14516-30-00		
#125	8A6-14516-25-00		
#120	8A6-14516-20-00		
#115	8A6-14516-15-00		

\*Standard

GEARING	PART NUMBER
17 T	878-17682-70*
15 T	878-17682-50
31 T	878-47587-00*
33 T	888-47587-00

**SERVICE LITERATURE**

PUBLICATION	PART NUMBER	REMARKS
Owner's Manual	LIT-12628-00-42	
Service Manual	LIT-12618-00-42	Supp to SR540D (00-31) & SR540E (00-37)
Assembly Manual	LIT-12668-00-37	Same As SR540E

## SR540D 1980 SERVICE DATA

SNOWMOBILE  
S79-025

<b>MODEL – IBM I.D. NUMBER</b>	SR540	8L0
Starting Engine and Frame Number	SA535-009101 / 8L0-009101	
Dry Vehicle Weight	195 kg (430 lbs.)	
<b>ENGINE – Type / Induction System</b>	2-Stroke, 7-port, Reed Valve, Forced Air-Cooled	
Bore x Stroke x Cylinders / Displacement	73 x 64mm x 2 / 535cc	
Compression Ratio	6.0: 1	
Piston Skirt Clearance (New/Max)	.055 ~ .060mm / 0.1mm	
Ring End Gap (Top/2nd)	0.8mm / 0.8mm	
Ring Groove Clearance (Top/2nd)	0.02 ~ 0.06mm / 0.02 ~ 0.06mm	
Coolant Type / Mixing Ratio	φ / φ	
<b>CARBURETOR – Mfr. / Type / I.D. Number</b>	Keihin / BD44-38 / 8L0-00	
Quantity / Venturi Size (Measured/Effective)	1 / 44mm / 38mm	
Main Jet / Main Air Jet	150 / 180	
Partial Jet / Slow Jet / Slow Air Jet / Air Screw	φ / 90 / 100 / φ	
Pilot Jet / Pilot Screw	φ / 2.5/8 Turns Out	
Needle Jet/Jet Needle-Clip Position/Cutaway/Air Jet	φ / φ / 150 / φ	
Power Jet / Power Air Jet	150 / 170	
Fuel Inlet Valve / Float Level / Fuel Level	2.0 / 15 ± 1.0mm / φ	
Idle Speed	1500 rpm	
<b>AUTOLUBE – Pump Color / Control Rod Adj.</b>	Pink / 25 ± 1mm @ Pump Wire Assembly at Idle	
Pump Plunger Stroke (Min) (Max)	0.02 ~ 0.25mm / 1.65 ~ 1.87mm	
Output @ 200 Strokes (Full Throttle/Idle)	7.84 ~ 8.89cc / 0.95 ~ 1.19cc	
<b>DRIVE – Type</b>	V-Belt Automatic	
Primary Sheave Engagement rpm	3000 ~ 3200 rpm	
Belt Length / Width / Wear Limit / IBM Number	1099mm / 31.6mm / 26mm / 8F2	
Primary Ratio(s)	3.5:1 ~ 1:1	
Sheave Center to Center / Offset	270 + <sup>9</sup> / <sub>8</sub> mm / 11mm	
Primary Spring Color / Length / Rate	Red / 71.3mm / 2.05 ± 0.1 kg/mm	
Secondary Spring Pre-Load/Part Number/Color	180° / 90508 - 45286-00 / Yellow	
Secondary Drive Ratio/Chain Pitch-Type/Freewheel	1.61 (29-18) / 9.525mm / 10 + <sup>5</sup> / <sub>8</sub> mm	
Track (Width) / Tension	381mm / 25 ± 5mm @ 10.0 kg	
<b>CAPACITIES – Chain Case / Quantity / Type</b>	250cc (8.4 oz.) / SAE 75 ~ 80 Gear Oil	
Fuel Tank / Quantity / Grade	26.6 Lit. (7.0 Gal.) / Unleaded or Leaded Regular	
Autolube Tank / Quantity / Type	2.5 Lit. (2.64 Qts.) / Yamalube 2*	
<b>ELECTRICAL – Mfr. / Type</b>	Mitsubishi / CDI	
Battery: Model / Spec Gravity / Charge Rate	φ	
Lighting Output at Full Load	11.8V @ 3000 rpm (@ 80°C)	
Headlight / Taillight / Instrument Ratings	12V60-55W / 12V23-8W / 12V3.4W	
Lighting Coil Resistance	Yel ~ Blk 0.19 Ω ± 10%	
Ignition Source Coil Resistance (Charge Coil)	Brn ~ Blk / 350 Ω ± 10% L:Blu ~ Blk / 15.0 Ω ± 10%	
Pulse Coil Resistance	Wht-Red ~ Blk / 9.0 Ω ± 10%	
Ignition Coil Resistance Primary / Secondary	0.15 Ω ± 10% / 3.6K Ω ± 20%	
Spark Plug Type / Gap / Torque	NGK BR9ES / 0.7 ~ 0.8mm / 2.7 m·kg	
Timing (B.T.D.C.)*	1.5mm BTDC (14° @ 7000 rpm)	

N/A = Information Not Available  
φ = Does Not Apply To This Model

\*After Setting Statically, Check With Timing Light

Service Copy: \_\_\_\_\_ Service Mgr. \_\_\_\_\_ Mechanic \_\_\_\_\_ Mechanic \_\_\_\_\_ Mechanic \_\_\_\_\_ Binder \_\_\_\_\_

Office Copy: \_\_\_\_\_ General Mgr. \_\_\_\_\_ Sales \_\_\_\_\_ Parts \_\_\_\_\_ Binder \_\_\_\_\_

©1979 YAMAHA MOTOR CORPORATION, U.S.A. CYPRESS, CALIF.

December 5, 1979 PAGE 1 OF 1

## C-23 SR540D 1980 SERVICE DATA

SNOWMOBILE  
S79-025

<b>MODEL – IBM I.D. NUMBER</b>	SR540	8L0
Starting Engine and Frame Number	SA535-009101 / 8L0-009101	
Dry Vehicle Weight	195 kg (430 lbs.)	
<b>ENGINE – Type / Induction System</b>	2-Stroke, 7-port, Reed Valve, Forced Air-Cooled	
Bore x Stroke x Cylinders / Displacement	73 x 64mm x 2 / 535cc	
Compression Ratio	6.0: 1	
Piston Skirt Clearance (New/Max)	.055 ~ .060mm / 0.1mm	
Ring End Gap (Top/2nd)	0.8mm / 0.8mm	
Ring Groove Clearance (Top/2nd)	0.02 ~ 0.06mm / 0.02 ~ 0.06mm	
Coolant Type / Mixing Ratio	φ / φ	
<b>CARBURETOR – Mfr. / Type / I.D. Number</b>	Keihin / BD44-38 / 8L0-00	
Quantity / Venturi Size (Measured/Effective)	1 / 44mm / 38mm	
Main Jet / Main Air Jet	150 / 180	
Partial Jet / Slow Jet / Slow Air Jet / Air Screw	φ / 90 / 100 / φ	
Pilot Jet / Pilot Screw	φ / 2.5/8 Turns Out	
Needle Jet/Jet Needle-Clip Position/Cutaway/Air Jet	φ / φ / 150 / φ	
Power Jet / Power Air Jet	150 / 170	
Fuel Inlet Valve / Float Level / Fuel Level	2.0 / 15 ± 1.0mm / φ	
Idle Speed	1500 rpm	
<b>AUTOLUBE – Pump Color / Control Rod Adj.</b>	Pink / 25 ± 1mm @ Pump Wire Assembly at Idle	
Pump Plunger Stroke (Min) (Max)	0.02 ~ 0.25mm / 1.65 ~ 1.87mm	
Output @ 200 Strokes (Full Throttle/Idle)	7.84 ~ 8.89cc / 0.95 ~ 1.19cc	
<b>DRIVE – Type</b>	V-Belt Automatic	
Primary Sheave Engagement rpm	3000 ~ 3200 rpm	
Belt Length / Width / Wear Limit / IBM Number	1099mm / 31.6mm / 26mm / 8F2	
Primary Ratio(s)	3.5:1 ~ 1:1	
Sheave Center to Center / Offset	270 + <sup>9</sup> / <sub>8</sub> mm / 11mm	
Primary Spring Color / Length / Rate	Red / 71.3mm / 2.05 ± 0.1 kg/mm	
Secondary Spring Pre-Load/Part Number/Color	180° / 90508 - 45286-00 / Yellow	
Secondary Drive Ratio/Chain Pitch-Type/Freewheel	1.61 (29-18) / 9.525mm / 10 + <sup>5</sup> / <sub>8</sub> mm	
Track (Width) / Tension	381mm / 25 ± 5mm @ 10.0 kg	
<b>CAPACITIES – Chain Case / Quantity / Type</b>	250cc (8.4 oz.) / SAE 75 ~ 80 Gear Oil	
Fuel Tank / Quantity / Grade	26.6 Lit. (7.0 Gal.) / Unleaded or Leaded Regular	
Autolube Tank / Quantity / Type	2.5 Lit. (2.64 Qts.) / Yamalube 2*	
<b>ELECTRICAL – Mfr. / Type</b>	Mitsubishi / CDI	
Battery: Model / Spec Gravity / Charge Rate	φ	
Lighting Output at Full Load	11.8V @ 3000 rpm (@ 80°C)	
Headlight / Taillight / Instrument Ratings	12V60-55W / 12V23-8W / 12V3.4W	
Lighting Coil Resistance	Yel ~ Blk 0.19 Ω ± 10%	
Ignition Source Coil Resistance (Charge Coil)	Brn ~ Blk / 350 Ω ± 10% L:Blu ~ Blk / 15.0 Ω ± 10%	
Pulse Coil Resistance	Wht-Red ~ Blk / 9.0 Ω ± 10%	
Ignition Coil Resistance Primary / Secondary	0.15 Ω ± 10% / 3.6K Ω ± 20%	
Spark Plug Type / Gap / Torque	NGK BR9ES / 0.7 ~ 0.8mm / 2.7 m·kg	
Timing (B.T.D.C.)*	1.5mm BTDC (14° @ 7000 rpm)	

N/A = Information Not Available  
φ = Does Not Apply To This Model

\*After Setting Statically, Check With Timing Light

Service Copy: \_\_\_\_\_ Service Mgr. \_\_\_\_\_ Mechanic \_\_\_\_\_ Mechanic \_\_\_\_\_ Mechanic \_\_\_\_\_ Binder \_\_\_\_\_

Office Copy: \_\_\_\_\_ General Mgr. \_\_\_\_\_ Sales \_\_\_\_\_ Parts \_\_\_\_\_ Binder \_\_\_\_\_

©1979 YAMAHA MOTOR CORPORATION, U.S.A. CYPRESS, CALIF.

December 5, 1979 PAGE 1 OF 1

Not For Resale

www.SmallEngineDiscount.com