



YAMAHA

GENUINE

PARTS CATALOGUE

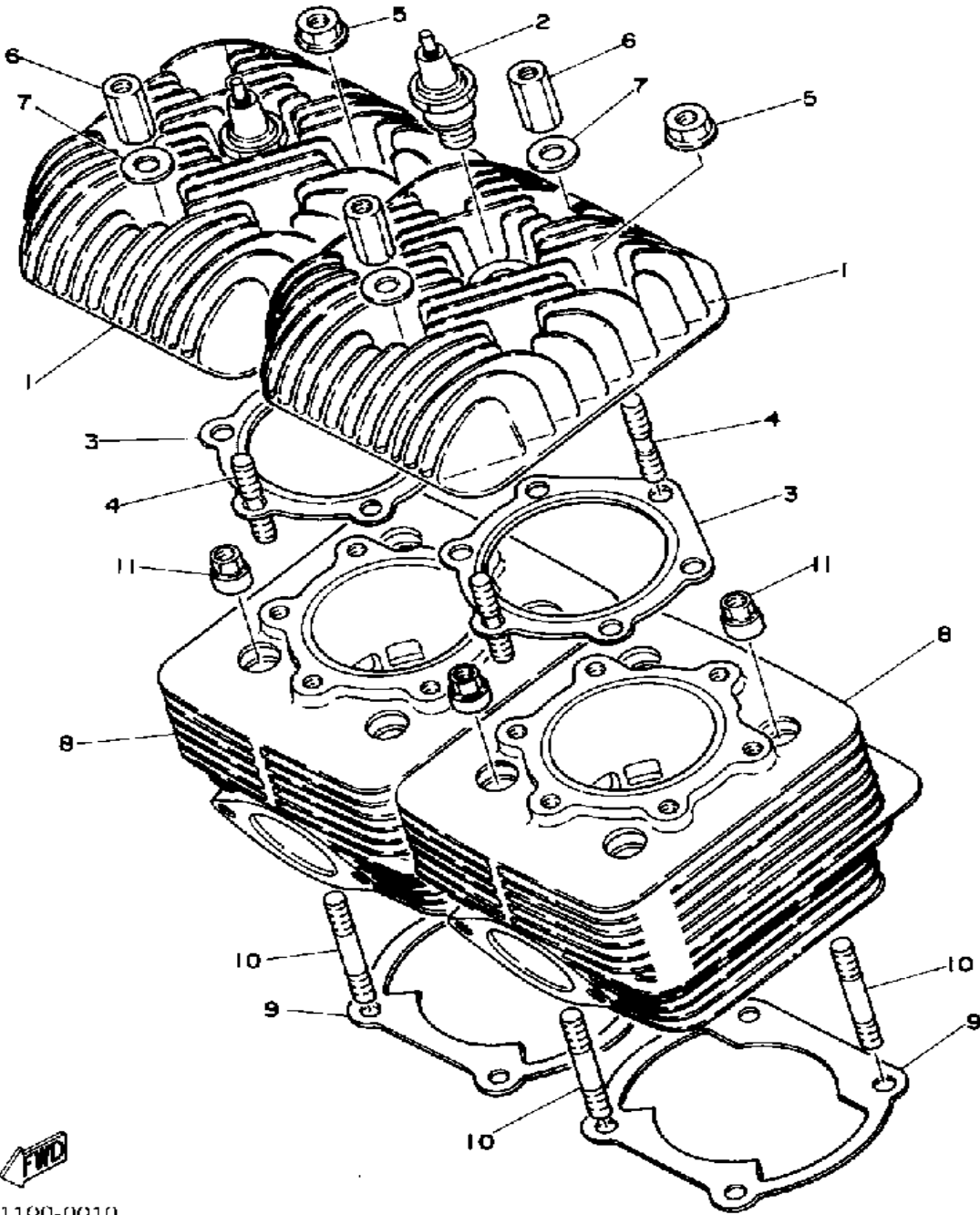
SNOWMOBILE

Not For Resale

www.SmallEngineDiscount.com

CYLINDER

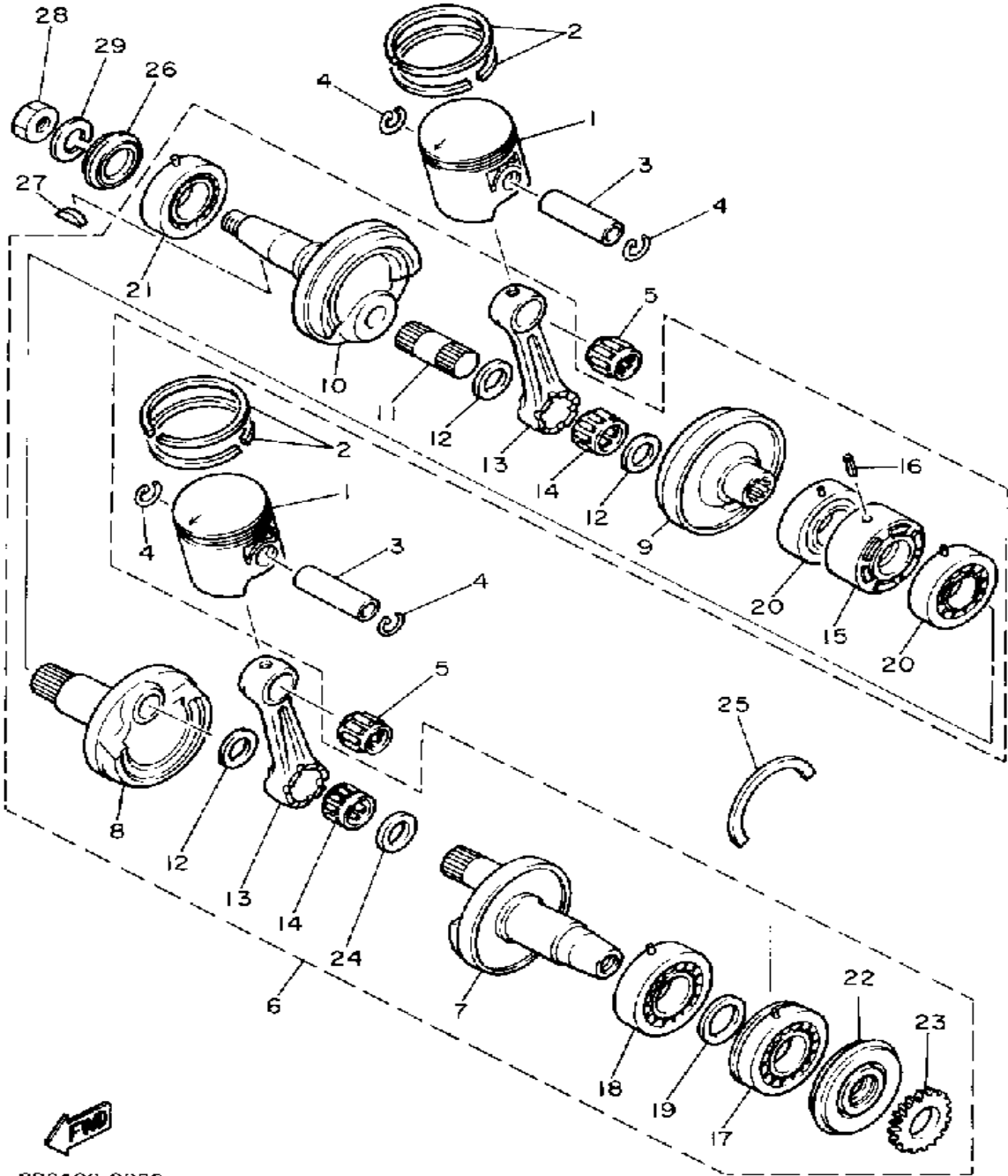
| Ref. No. | Part Number | Description | Qty | Remarks |
|----------|-----------------|---|-----|---------|
| 1 | 8R6-11111-00-00 | HEAD, CYLINDER 1 | 2 | |
| 2 | NGK-BR9EV-01-PC | NGK 1PCTRM BR9EV10 (94702-00193-00) | 2 | |
| 3 | 8H8-11181-01-00 | GASKET, CYLINDER HEAD 1 (8H8-11181-00) | 2 | |
| 4 | 90116-08104-00 | BOLT, STUD | 12 | |
| 5 | 95701-08500-00 | NUT, FLANGE | 8 | |
| 6 | 90179-08269-00 | NUT | 4 | |
| 7 | 90201-08100-00 | WASHER, PLATE | 4 | |
| 8 | 8R6-11311-00-00 | CYLINDER 1 | 2 | |
| 9 | 89N-11351-00-00 | GASKET, CYLINDER | 2 | |
| 10 | 90116-08302-00 | BOLT, STUD | 8 | |
| 11 | 90179-08268-00 | NUT | 8 | |




8K1100-0010

Not For Resale
www.SmallEngineDiscount.com

CRANKSHAFT - PISTON



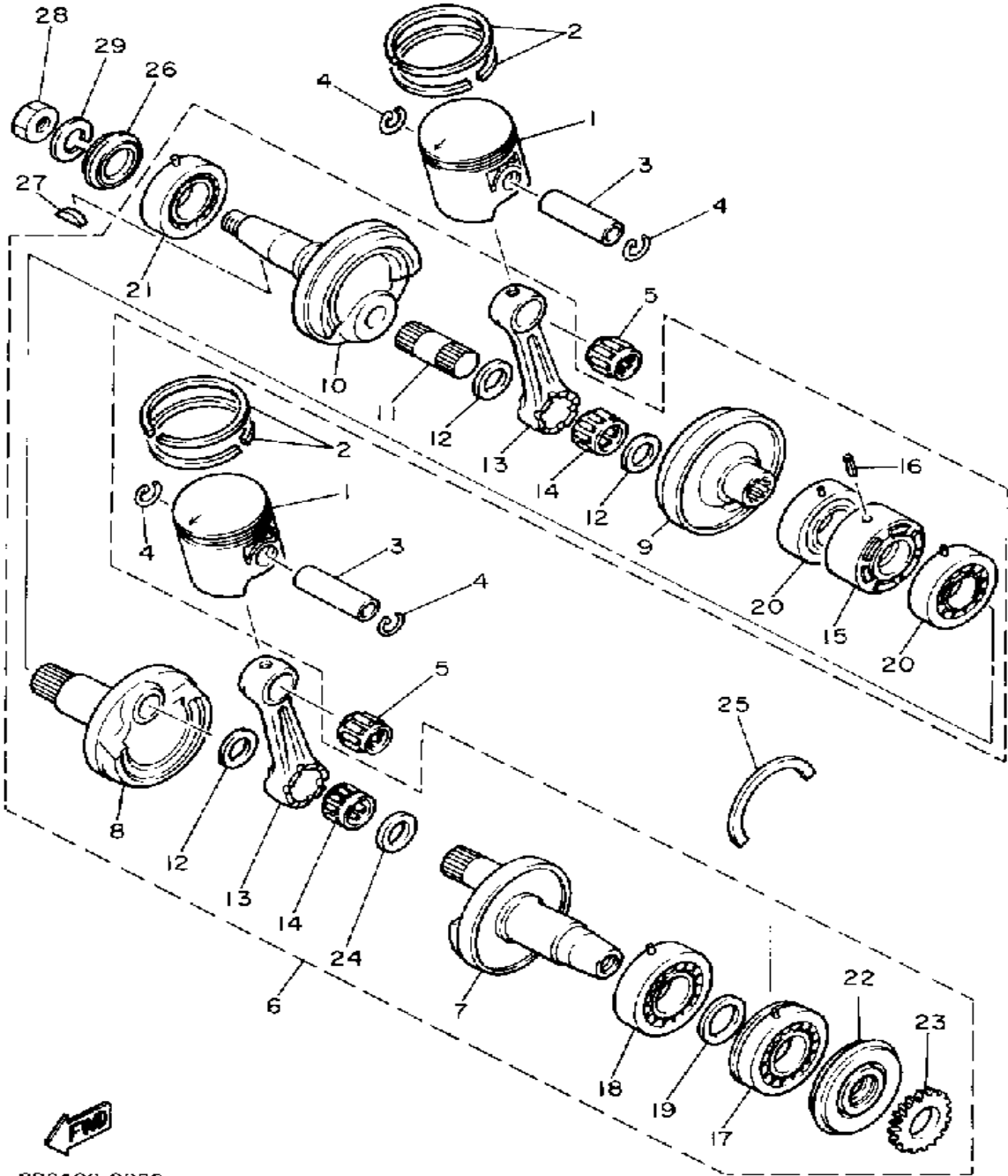
8R6100-2020

| Ref. No. | Part Number | Description | Qty | Remarks |
|----------|-----------------|----------------------------------|-----|----------------|
| 1 | 8R6-11631-00-95 | PISTON (STD) | 2 | U.R. |
| | 8R6-11635-00-00 | PISTON (0.25MM O/S) | 2 | ALTERNATE PART |
| | 8R6-11636-00-00 | PISTON (0.50MM O/S) | 2 | ALTERNATE PART |
| 2 | 8R6-11601-00-00 | PISTON RING SET (STD) | 2 | U.R.äSTD |
| | 8R6-11601-10-00 | PISTON RING SET (0.25MM O/S) | 2 | ALTERNATE PART |
| | 8R6-11601-20-00 | PISTON RING SET (0.50MM O/S) | 2 | ALTERNATE PART |
| 3 | 8H8-11633-00-00 | PIN, PISTON | 2 | |
| 4 | 93450-21053-00 | CIRCLIP | 4 | |
| 5 | 93310-320G0-00 | BEARING | 2 | |
| 6 | 8R6-11400-01-00 | CRANKSHAFT ASSEMBLY | 1 | |
| 7 | 8R6-11412-00-00 | . CRANK 1 | 1 | |
| 8 | 8R6-11422-00-00 | . CRANK 2 | 1 | |
| 9 | 8R6-11432-01-00 | . CRANK 3 | 1 | |
| 10 | 8H8-11442-00-00 | . CRANK 4 | 1 | |
| 11 | 8H0-11681-00-00 | . PIN, CRANK 1 | 1 | |
| 12 | 90209-24073-00 | . WASHER | 3 | |
| 13 | 8R6-11651-00-00 | . ROD, CONNECTING | 2 | |
| 14 | 93310-524K4-00 | . BEARING | 2 | |
| 15 | 8H8-11515-00-00 | . SEAL, LABYRINTH 1 | 1 | |
| 16 | 91609-30010-00 | . PIN, SPRING | 1 | |
| 17 | 93306-30625-00 | . BEARING | 1 | |
| 18 | 93306-30625-00 | . BEARING | 1 | |
| 19 | 90201-34683-00 | . WASHER, PLATE (90201-33299-00) | 1 | |
| 20 | 93306-20617-00 | . BEARING (B6206) | 2 | |
| 21 | 93306-20617-00 | . BEARING (B6206) | 1 | |
| 22 | 93103-32095-00 | . OIL SEAL | 1 | |
| 23 | 8K2-13178-00-00 | . GEAR, PUMP DRIVE | 1 | |

CONTINUED ON NEXT FRAME ➤

Not For Resale
www.SmallEngineDiscount.com

CRANKSHAFT - PISTON



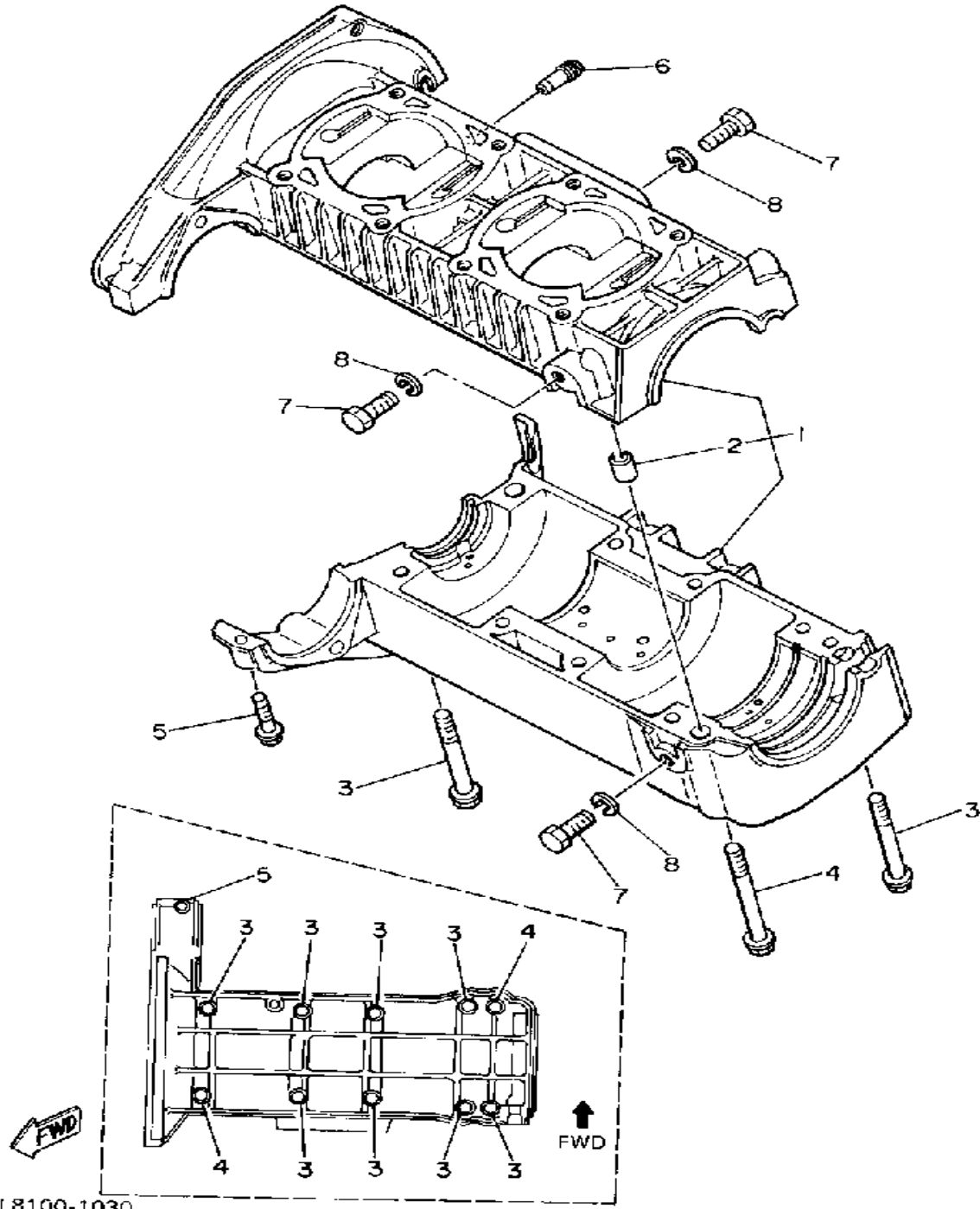
8R6100-2020

| Ref. No. | Part Number | Description | Qty | Remarks |
|----------|-----------------|---------------------------|-----|---------|
| 24 | 8A7-11685-00-00 | . WASHER, CRANK PIN | 1 | |
| 25 | 93440-78069-00 | CIRCLIP | 1 | |
| 26 | 93103-32156-00 | OIL SEAL | 1 | |
| 27 | 90280-05014-00 | KEY, WOODRUFF | 1 | |
| 28 | 90170-16182-00 | NUT | 1 | |
| 29 | 92901-16100-00 | WASHER, SPRING | 1 | |

Not For Resale

www.SmallEngineDiscount.com

CRANKCASE

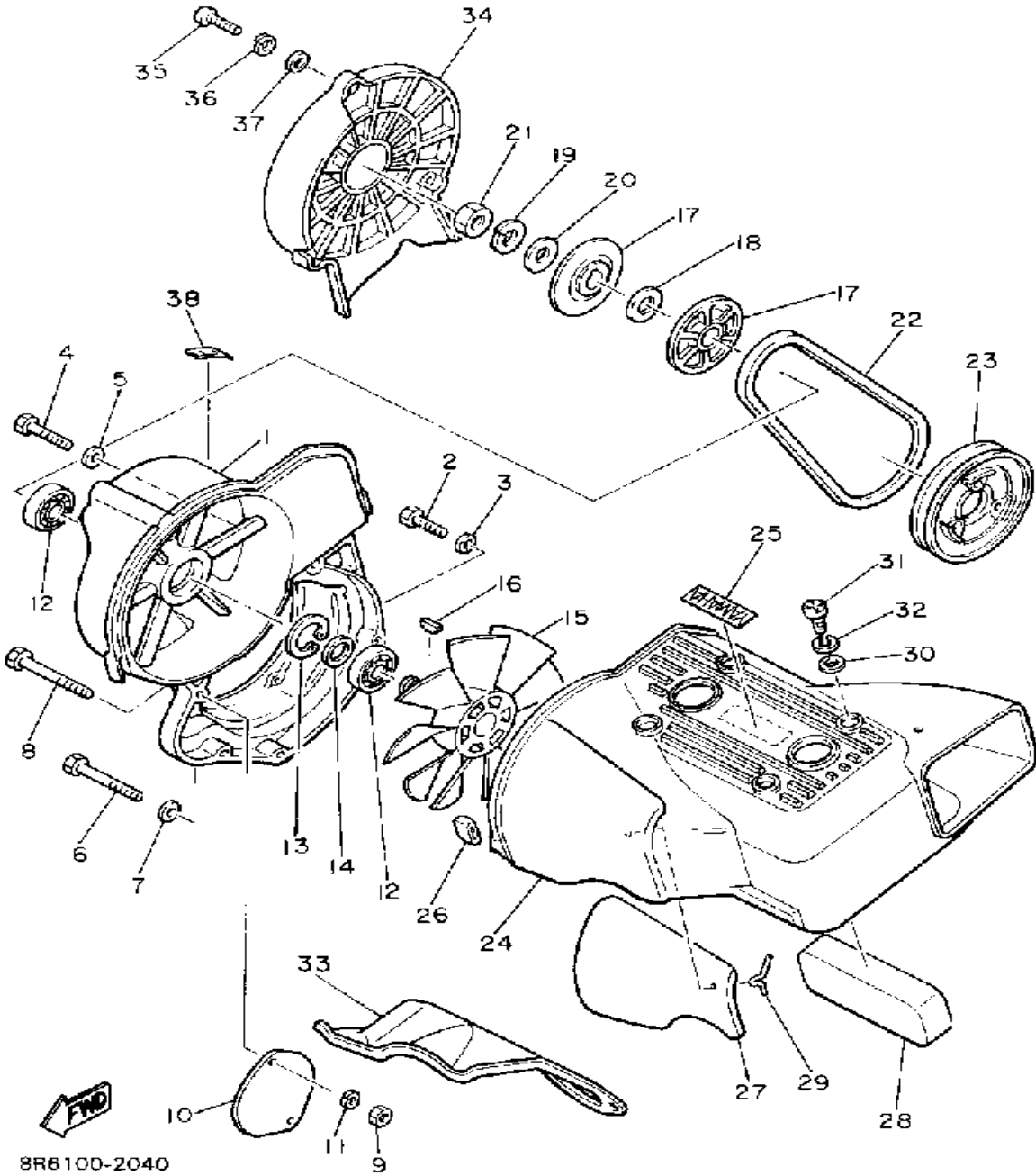


| Ref. No. | Part Number | Description | Qty | Remarks |
|----------|-----------------|--------------------|-----|---------|
| 1 | 8H8-15100-02-00 | CRANKCASE ASSEMBLY | 1 | |
| 2 | 99510-12016-00 | . PIN, DOWEL | 2 | |
| 3 | 95811-08075-00 | BOLT, FLANGE | 8 | |
| 4 | 95811-08085-00 | BOLT, FLANGE | 2 | |
| 5 | 95811-06030-00 | BOLT, FLANGE | 1 | |
| 6 | J38-11116-00-00 | JOINT, BREATHER | 1 | |
| 7 | 97313-08020-00 | BOLT, HEXAGON | 6 | |
| 8 | 92902-08100-00 | WASHER, SPRING | 6 | |

8L8100-1030

Not For Resale
www.SmallEngineDiscount.com

AIR SHROUD - FAN



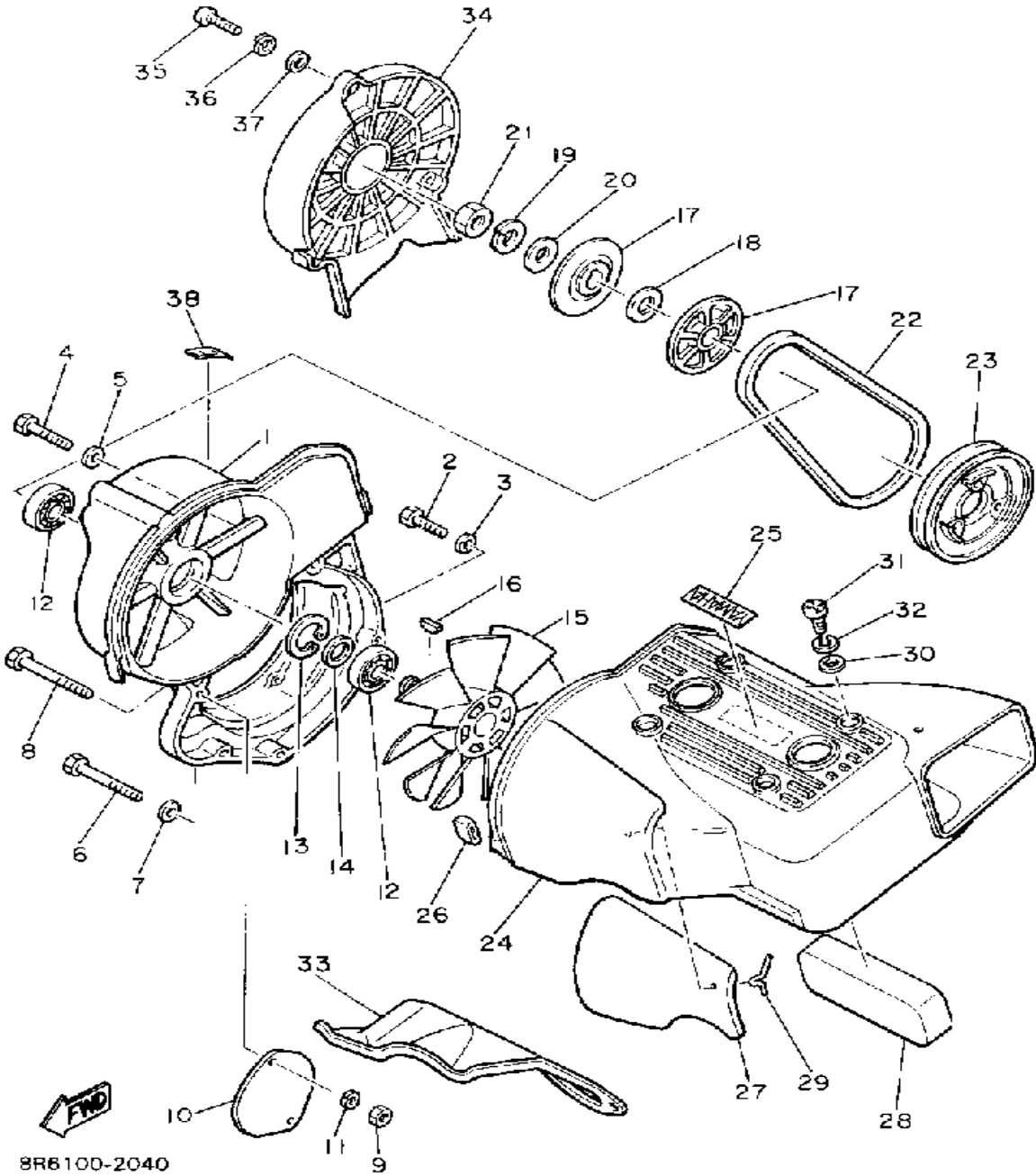
8R6100-2040

| Ref. No. | Part Number | Description | Qty | Remarks |
|----------|-----------------|-----------------------------|-----|---------|
| 1 | 88F-12621-01-00 | CASE, FAN | 1 | |
| 2 | 97313-08035-00 | BOLT, HEXAGON | 2 | |
| 3 | 92901-08600-00 | WASHER | 2 | |
| 4 | 97313-08050-00 | BOLT, HEXAGON (90101-08125) | 1 | |
| 5 | 92901-08600-00 | WASHER | 1 | |
| 6 | 97013-08075-00 | BOLT | 1 | |
| 7 | 92901-08600-00 | WASHER | 1 | |
| 8 | 97013-08075-00 | BOLT | 1 | |
| 9 | 95333-08600-00 | NUT | 2 | |
| 10 | 8K4-12633-00-00 | PLATE | 1 | |
| 11 | 92990-08100-00 | WASHER | 2 | |
| 12 | 93306-20331-00 | BEARING | 2 | |
| 13 | 93420-40064-00 | CIRCLIP | 1 | |
| 14 | 90201-17713-00 | WASHER, PLATE | 1 | |
| 15 | 8H8-12611-01-00 | FAN | 1 | |
| 16 | 90280-05014-00 | KEY, WOODRUFF | 1 | |
| 17 | 8H8-12619-01-00 | PULLEY 2 | 2 | |
| 18 | 90214-17017-00 | WASHER, CLAW (0.5T) | 1 | U.R. |
| | 90214-17018-00 | WASHER, CLAW (1.0T) | 1 | U.R. |
| 19 | 92901-16100-00 | WASHER, SPRING | 1 | |
| 20 | 90201-17713-00 | WASHER, PLATE | 1 | |
| 21 | 90170-16182-00 | NUT | 1 | |
| 22 | 8H8-12612-00-00 | BELT | 1 | |
| 23 | 8H8-12618-01-00 | PULLEY 1 | 1 | |
| 24 | 8H8-12651-02-00 | AIR SHROUD, CYLINDER 1 | 1 | |
| 25 | 8H8-12629-00-00 | EMBLEM | 1 | |
| 26 | 8H8-12658-00-00 | DAMPER, AIR SHROUD 1 | 2 | |
| 27 | 8H8-12659-00-00 | DAMPER, AIR SHROUD 2 | 1 | |
| 28 | 8H8-12669-00-00 | DAMPER, AIR SHROUD 4 | 1 | |

CONTINUED ON NEXT FRAME ➤

Not For Resale
www.SmallEngineDiscount.com

AIR SHROUD - FAN

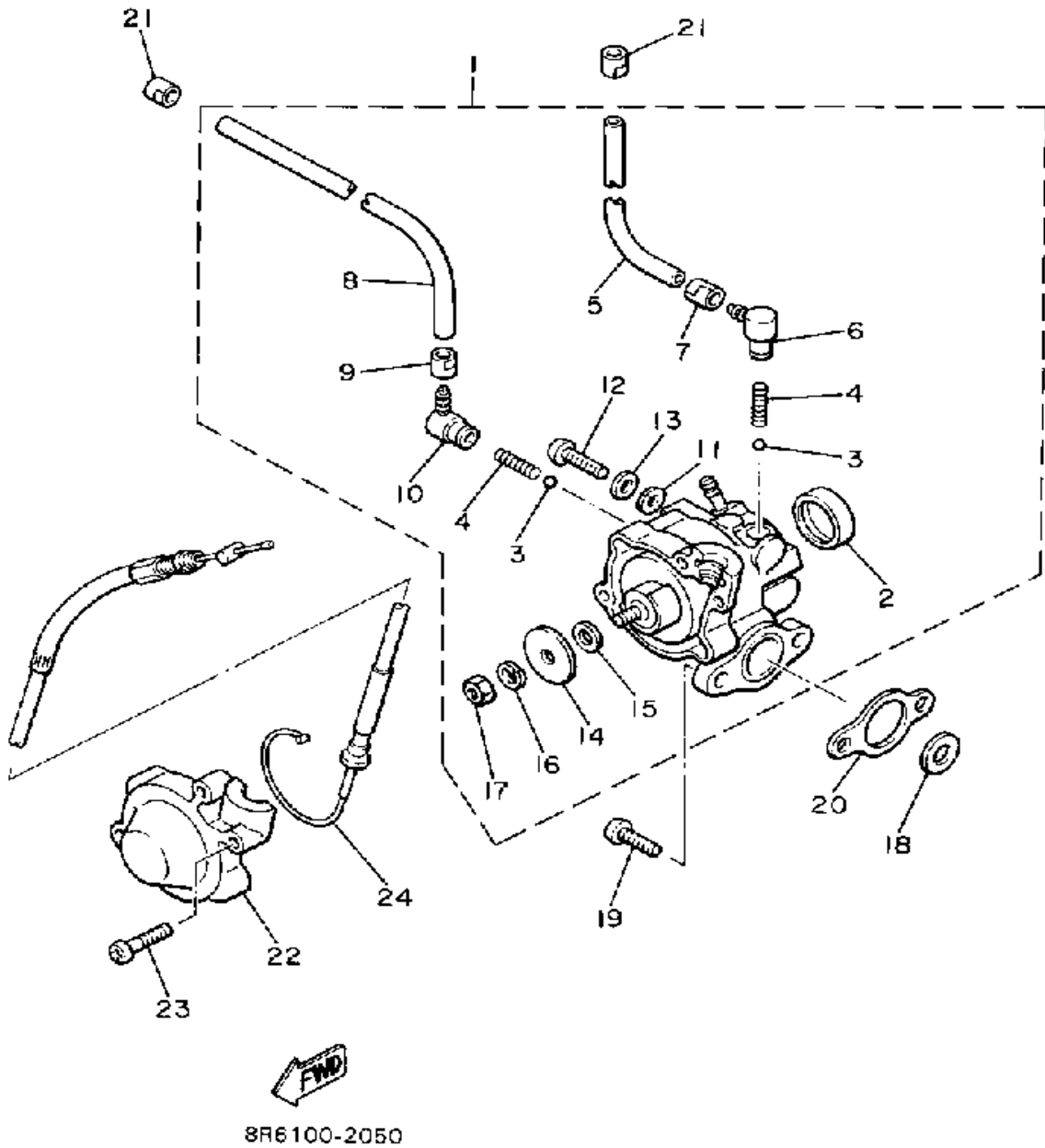


| Ref. No. | Part Number | Description | Qty | Remarks |
|----------|-----------------|----------------------------|-----|---------|
| 29 | 91401-16030-00 | PIN, COTTER | 3 | |
| 30 | 90201-06059-00 | WASHER, PLATE | 4 | |
| 31 | 98906-06016-00 | SCREW, BIND | 4 | |
| 32 | 92906-06100-00 | WASHER, SPRING | 4 | |
| 33 | 8H8-12652-00-00 | AIR SHROUD, CYLINDER 2 ... | 1 | |
| 34 | 8L0-12616-00-00 | COVER, FAN CASE | 1 | |
| 35 | 98506-06025-00 | SCREW, PAN HEAD | 3 | |
| 36 | 92906-06100-00 | WASHER, SPRING | 3 | |
| 37 | 90201-062A8-00 | WASHER, PLATE | 3 | |
| 38 | 8K4-12628-00-00 | LABEL, CAUTION | 1 | |

Not For Resale

www.SmallEngineDiscount.com

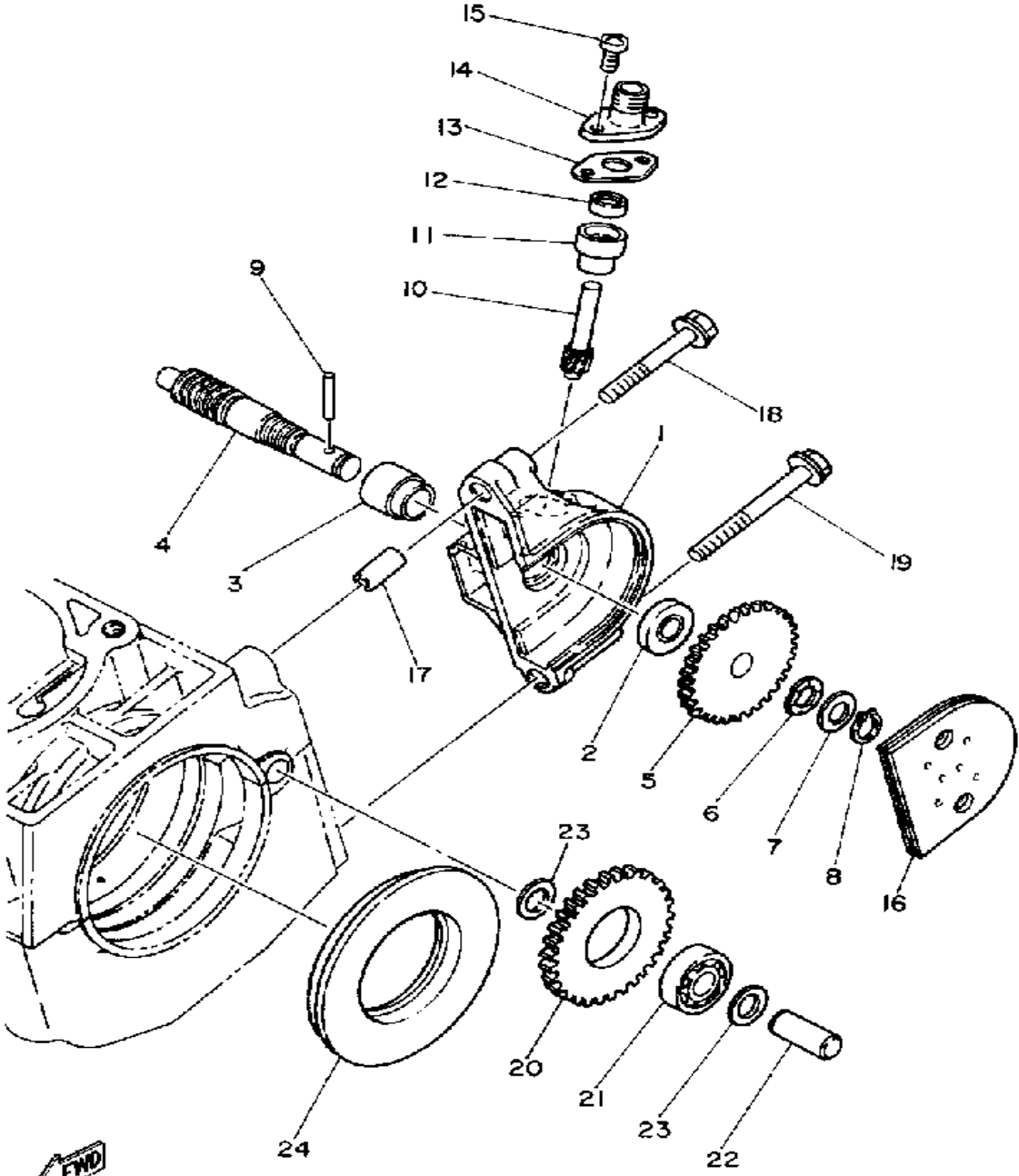
OIL PUMP



| Ref. No. | Part Number | Description | Qty | Remarks |
|----------|-----------------|--|-----|---------|
| 1 | 8R6-13101-00-00 | OIL PUMP ASSEMBLY | 1 | |
| 2 | 90338-21100-00 | . PLUG | 1 | |
| 3 | 93505-32002-00 | . BALL | 2 | |
| 4 | 90501-02018-00 | . SPRING, COMPRESSION | 2 | |
| 5 | 90445-05350-00 | . HOSE (3-100) | 1 | |
| 6 | 353-13552-01-00 | . NOZZLE | 1 | |
| 7 | 90468-02033-00 | . CLIP | 1 | |
| 8 | 90445-05301-00 | . HOSE (214-13161-01) | 1 | |
| 9 | 90468-02033-00 | . CLIP | 1 | |
| 10 | 353-13552-01-00 | . NOZZLE | 1 | |
| 11 | 90430-04004-00 | . GASKET | 1 | |
| 12 | 90157-04009-00 | . SCREW, PAN HEAD | 1 | |
| 13 | 92901-04600-00 | . WASHER, PLATE | 1 | |
| 14 | 137-13138-01-00 | . PLATE, ADJUSTING | 1 | |
| 15 | 137-13137-00-03 | . SHIM (0.3T) | 1 | U.R. |
| | 137-13137-00-05 | . SHIM (0.5T) | 1 | U.R. |
| | 137-13137-00-10 | . SHIM (1.0T) | 1 | U.R. |
| 16 | 92990-05100-00 | . WASHER, SPRING | 1 | |
| 17 | 95380-05600-00 | . NUT | 1 | |
| 18 | 90201-08624-00 | WASHER, PLATE | 1 | |
| 19 | 98580-05014-00 | SCREW, PAN HEAD | 2 | |
| 20 | 3MT-13116-00-00 | . GASKET, PUMP CASE (8Y0-13116-00) | 1 | |
| 21 | 90468-02033-00 | CLIP | 2 | |
| 22 | 8A5-13146-01-00 | COVER, ADJUST PULLEY | 1 | |
| 23 | 98506-04018-00 | SCREW, PAN HEAD | 3 | |
| 24 | 8L8-26320-02-00 | PUMP CABLE ASSEMBLY | 1 | |

Not For Resale
www.SmallEngineDiscount.com

PUMP DRIVE - GEAR



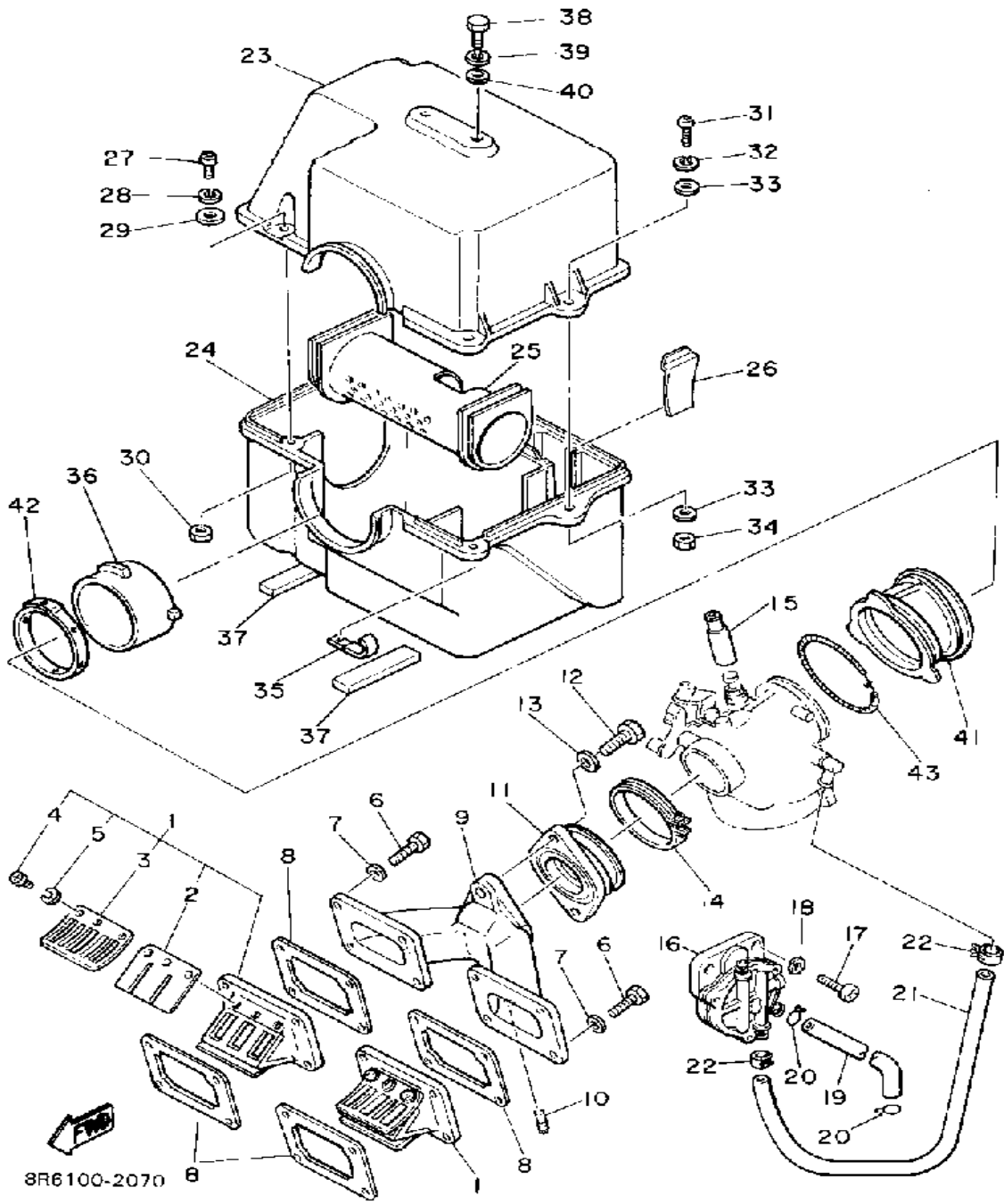
8K4100-0060

| Ref. No. | Part Number | Description | Qty | Remarks |
|----------|-----------------|----------------------------|-----|---------|
| 1 | 8H8-15416-00-00 | COVER, OIL PUMP | 1 | |
| 2 | 93101-10090-00 | OIL SEAL | 1 | |
| 3 | 821-13176-00-00 | METAL, WORM SHAFT OUTER | 1 | |
| 4 | 826-13175-00-00 | SHAFT, WORM | 1 | |
| 5 | 821-13188-00-00 | GEAR, DRIVE (32T) | 1 | |
| 6 | 90206-11016-00 | WASHER, WAVE | 1 | |
| 7 | 137-13148-00-00 | PLATE, CAM THRUST | 1 | |
| 8 | 99009-10400-00 | CIRCLIP | 1 | |
| 9 | 93603-22028-00 | PIN, DOWEL | 1 | |
| 10 | 813-17841-00-00 | GEAR, DRIVEN (10T) | 1 | |
| 11 | 821-17843-00-00 | BUSH, DRIVEN GEAR OUTER | 1 | |
| 12 | 93104-06033-00 | OIL SEAL | 1 | |
| 13 | 821-17818-02-00 | GASKET | 1 | |
| 14 | 821-17819-00-00 | CAP, HOUSING | 1 | |
| 15 | 98580-05010-00 | SCREW, PAN HEAD | 2 | |
| 16 | 8K4-15426-00-00 | COVER, OIL PUMP 2 | 1 | |
| 17 | 99510-08016-00 | PIN, DOWEL | 2 | |
| 18 | 95811-06040-00 | BOLT, FLANGE | 1 | |
| 19 | 95811-06055-00 | BOLT, FLANGE (95802-06055) | 1 | |
| 20 | 8H8-13179-00-00 | GEAR, IDLE (34T) | 1 | |
| 21 | 93306-00002-00 | BEARING (B6000RS) | 1 | |
| 22 | 8G8-13342-00-00 | SHAFT, IDLE GEAR | 1 | |
| 23 | 90201-10119-00 | WASHER, PLATE | 2 | |
| 24 | 8K4-13119-00-00 | SEAL, GREASE | 1 | |

Not For Resale

www.SmallEngineDiscount.com

INTAKE

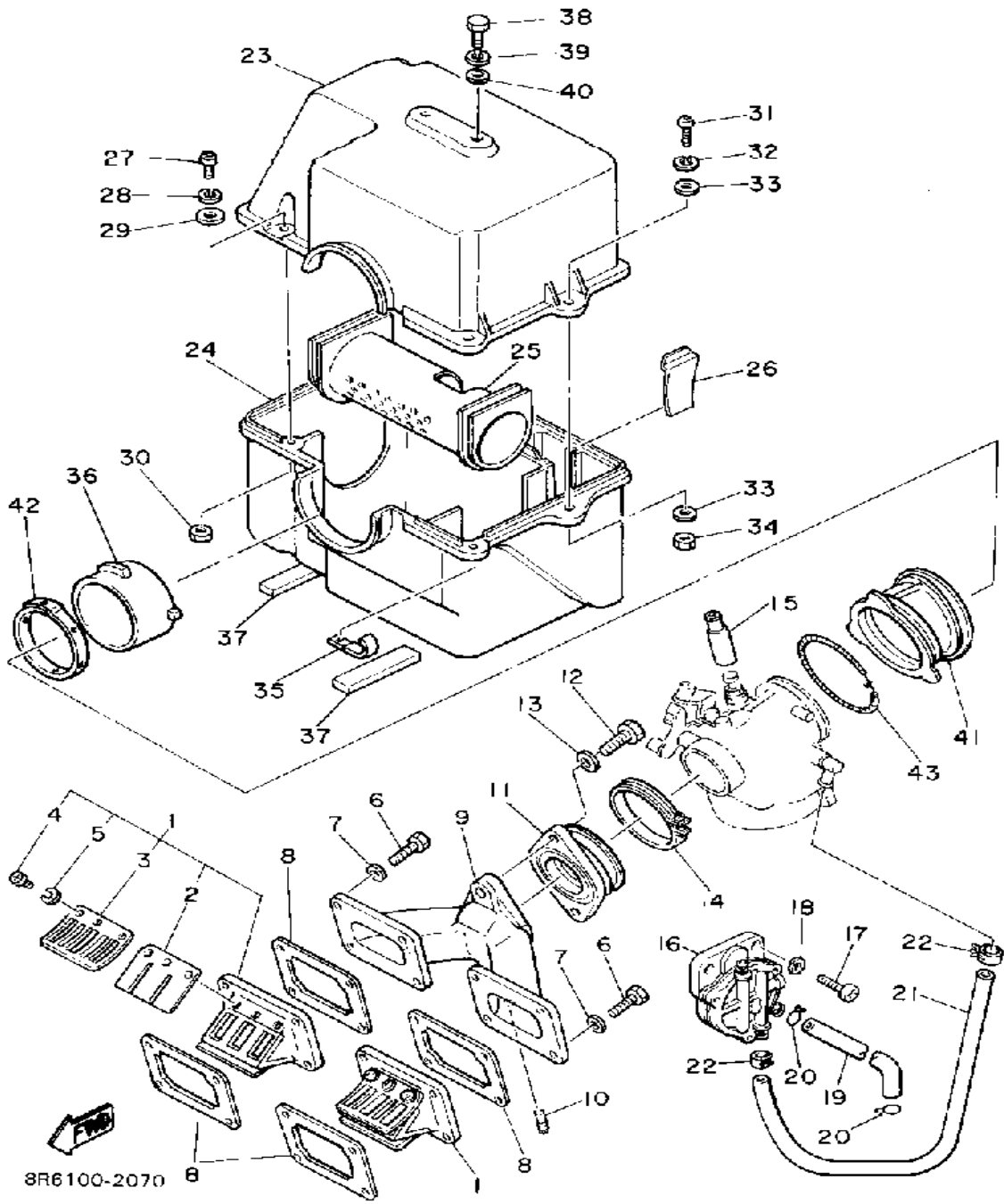


| Ref. No. | Part Number | Description | Qty | Remarks |
|----------|-----------------|--------------------------------|-----|---------|
| 1 | 3R5-13610-00-00 | REED VALVE ASSEMBLY | 2 | |
| 2 | 3R5-13613-00-00 | . REED, VALVE | 2 | |
| 3 | 2X5-13616-00-00 | . STOPPER, REED VALVE | 4 | |
| 4 | 98580-03008-00 | . SCREW, PAN HEAD | 12 | |
| 5 | 92990-03100-00 | . WASHER, SPRING (92901-03100) | 12 | |
| 6 | 97011-06025-00 | BOLT (97001-06025) | 8 | |
| 7 | 92901-06600-00 | WASHER | 8 | |
| 8 | 80L-13621-01-00 | GASKET, VALVE SEAT | 4 | |
| 9 | 8R6-13565-00-00 | JOINT, CARBURETOR | 1 | |
| 10 | 824-13552-00-00 | NOZZLE | 2 | |
| 11 | 8H8-13555-01-00 | MANIFOLD, INTAKE | 1 | |
| 12 | 97001-08025-00 | BOLT (1NV) | 2 | |
| 13 | 92901-08600-00 | WASHER | 2 | |
| 14 | 90460-60084-00 | CLAMP, HOSE | 1 | |
| 15 | 8J5-26352-00-00 | BOOT | 1 | |
| 16 | 8K4-24410-00-00 | FUEL PUMP ASSEMBLY | 1 | |
| 17 | 98580-06020-00 | SCREW | 2 | |
| 18 | 92995-06100-00 | WASHER, SPRING | 2 | |
| 19 | 90445-10140-00 | HOSE | 1 | |
| 20 | 90467-09006-00 | CLIP | 2 | |
| 21 | 90446-11290-00 | HOSE | 1 | |
| 22 | 90467-11028-00 | CLIP | 2 | |
| 23 | 8K4-14431-00-00 | SILENCER, INTAKE 1 | 1 | |
| 24 | 8K4-14441-01-00 | SILENCER, INTAKE 2 | 1 | |
| 25 | 8L0-14466-00-00 | PIPE | 1 | |
| 26 | 8K4-14477-00-00 | PLATE | 2 | |
| 27 | 98580-05016-00 | SCREW, PAN HEAD | 3 | |
| 28 | 92990-05100-00 | WASHER, SPRING | 3 | |

CONTINUED ON NEXT FRAME ➤

Not For Resale
www.SmallEngineDiscount.com

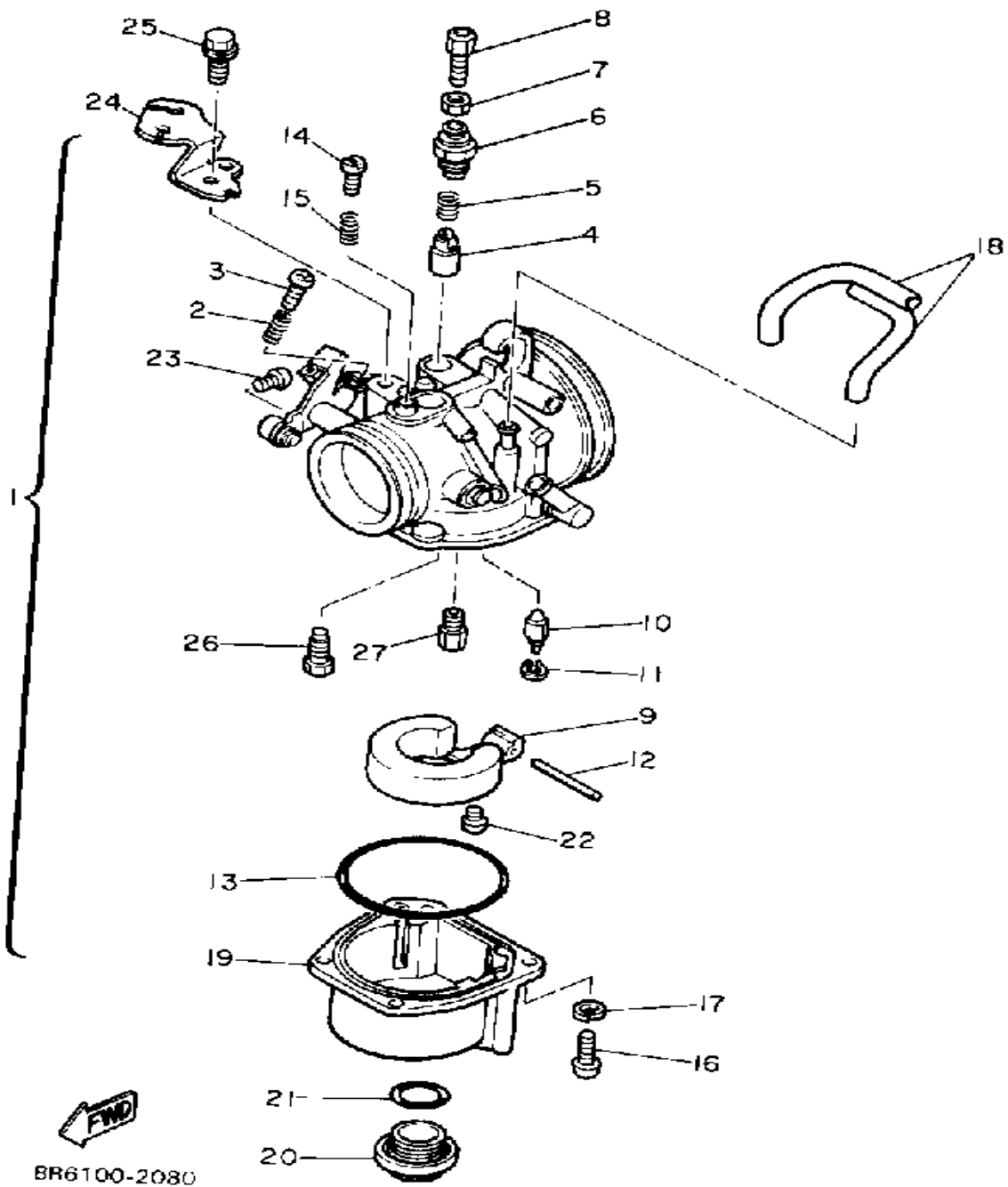
INTAKE



| Ref. No. | Part Number | Description | Qty | Remarks |
|----------|-----------------|------------------------------------|-----|---------|
| 29 | 92901-05600-00 | WASHER, PLATE | 3 | |
| 30 | 95311-05700-00 | NUT | 3 | |
| 31 | 98511-06025-00 | SCREW PAN HEAD (92501-06025) | 2 | |
| 32 | 92995-06100-00 | WASHER, SPRING | 2 | |
| 33 | 92990-06200-00 | WASHER | 4 | |
| 34 | 95380-06600-00 | NUT | 2 | |
| 35 | 90462-06058-00 | CLAMP | 1 | |
| 36 | 8N8-14465-00-00 | PIPE | 1 | |
| 37 | 8K4-14425-00-00 | DAMPER 1 | 2 | |
| 38 | 97313-06016-00 | BOLT, HEXAGON | 2 | |
| 39 | 92995-06100-00 | WASHER, SPRING | 2 | |
| 40 | 90201-062A8-00 | WASHER, PLATE | 2 | |
| 41 | 8N8-14453-01-00 | JOINT, AIR CLEANER 1 | 1 | |
| 42 | 90506-06083-00 | SPRING, TENSION | 1 | |
| 43 | 90460-75020-00 | CLAMP, HOSE | 1 | |

Not For Resale
www.SmallEngineDiscount.com

CARBURETOR



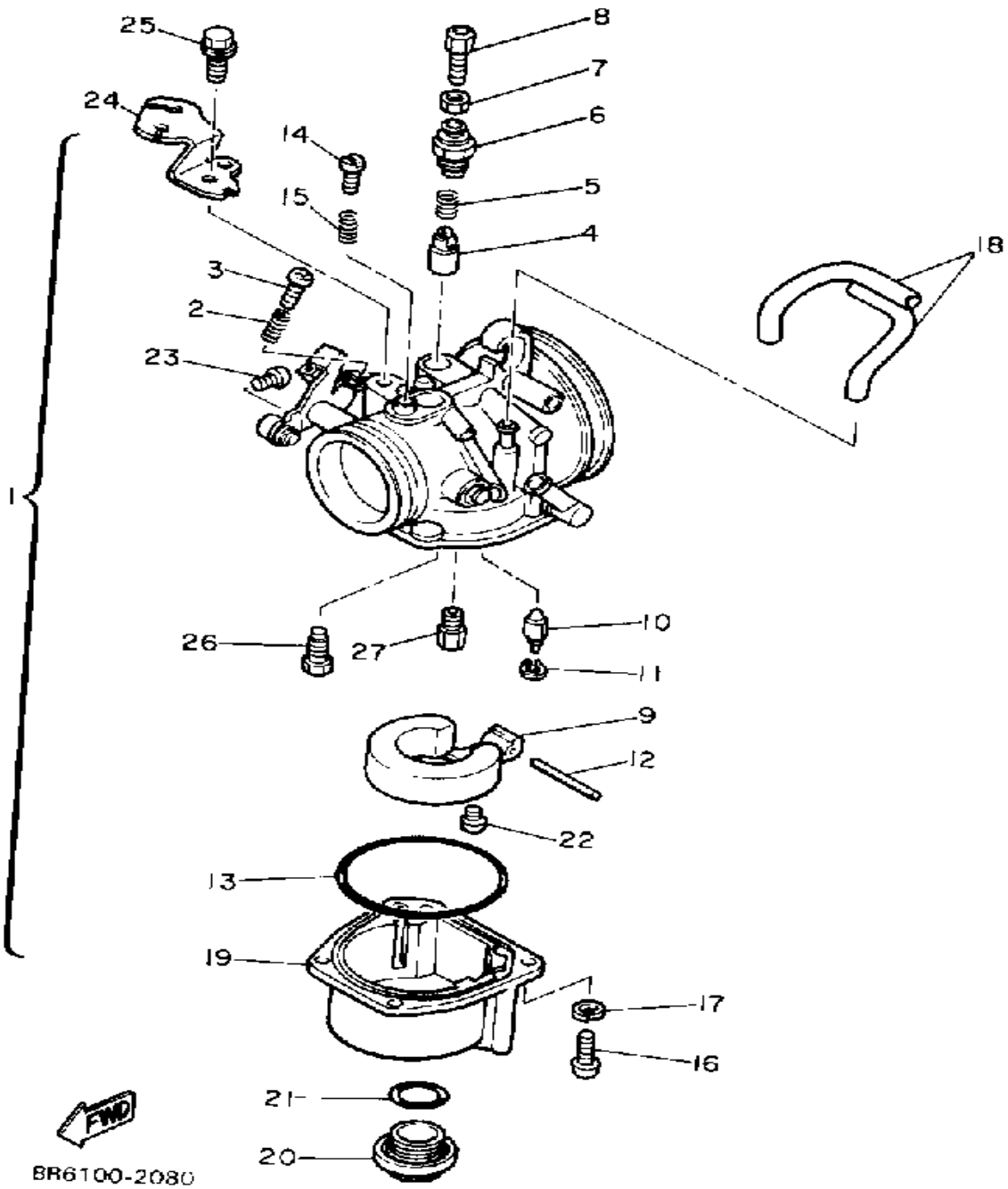
| Ref. No. | Part Number | Description | Qty | Remarks |
|----------|-------------------|-------------------------|-----|---------|
| 1 | 8R6-14101-01-00 | CARBURETOR ASSEMBLY 1 | 1 | |
| 2 | 90501-12229-00 | . SPRING, COMPRESSION | 1 | |
| 3 | 90157-04010-00 | . SCREW, PAN HEAD | 1 | |
| 4 | 371-14993-60-00 | . PLUNGER, STARTER | 1 | |
| 5 | 90501-08443-00 | . SPRING, COMPRESSION | 1 | |
| 6 | 8A6-14969-00-00 | . CAP | 1 | |
| 7 | 8E7-14161-00-00 | . NUT, CABLE ADJUSTING | 1 | |
| 8 | 8A6-14977-00-00 | . SHAFT, STARTER LEVER | 1 | |
| 9 | 8G6-14985-01-00 | . FLOAT | 1 | |
| 10 | 8E7-14546-01-00 | . VALVE, NEEDLE | 1 | |
| 11 | 663-14159-00-00 | . CLIP | 1 | |
| 12 | 663-14548-00-00 | . PIN, FLOAT ARM | 1 | |
| 13 | 8G6-14984-00-00 | . GASKET, FLOAT CHAMBER | 1 | |
| 14 | 8G6-14521-00-00 | . SCREW, ADJUST | 1 | |
| 15 | 90501-08214-00 | . SPRING, COMPRESSION | 1 | |
| 16 | (97602-04114-00) | SCREW, PN/HD.W/WSHR | 4 | |
| 17 | 92901-04100-00 | . WASHER, SPRING | 4 | |
| 18 | 8G6-14994-01-00 | . NET, FILTER | 2 | |
| 19 | 8K4-14980-00-00 | . BODY, FLOAT CHAMBER | 1 | |
| 20 | 8M7-14992-00-00 | . ROD | 1 | |
| 21 | 93210-19309-00 | . O-RING | 1 | |
| 22 | 98701-04008-00 | . SCREW, FLAT HEAD | 1 | |
| 23 | (8F3-14591-00-00) | SCREW | 1 | |
| 24 | 8R6-14572-00-00 | . PLATE, STAY | 1 | |
| 25 | 8G6-14592-00-00 | . SCREW | 1 | |
| 26 | 8G6-14948-24-00 | . JET # 2 | 1 | |
| 27 | 8A6-14516-15-00 | . JET, main (#115) | 1 | U.R. |
| | 8A6-14516-20-00 | . JET, MAIN #1 0 | 1 | U.R. |
| | 8A6-14516-25-00 | . JET, MAIN #1 5 | 1 | U.R. |

CONTINUED ON NEXT FRAME ➤

Not For Resale

www.SmallEngineDiscount.com

CARBURETOR



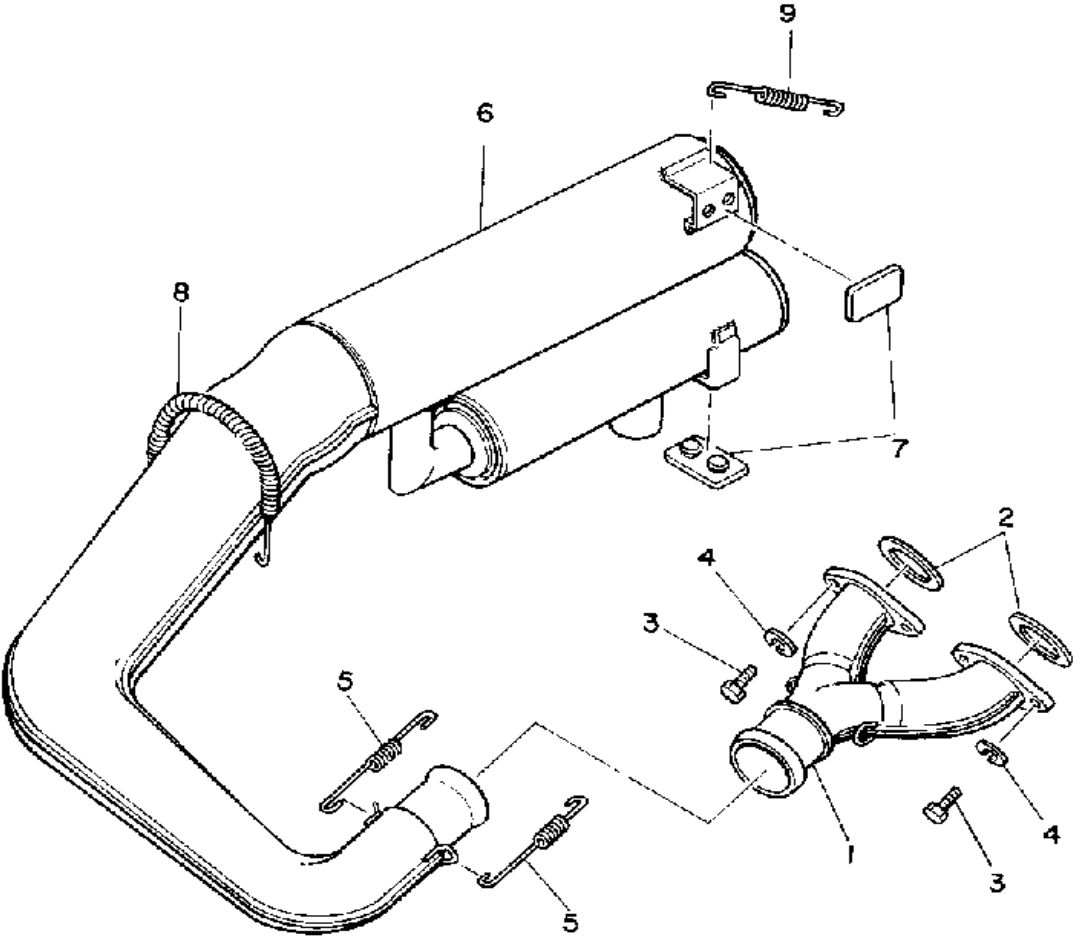
| Ref. No. | Part Number | Description | Qty | Remarks |
|----------|-----------------|------------------|-----|----------|
| 27 | 8A6-14516-30-00 | . JET, MAIN #1 0 | 1 | U.R. |
| | 8A6-14516-35-00 | . JET, MAIN #1 5 | 1 | U.R. |
| | 8A6-14516-40-00 | . JET, MAIN #1 0 | 1 | U.R. |
| | 8A6-14516-50-00 | . JET, MAIN #1 0 | 1 | U.R. STD |
| | 8A6-14516-55-00 | . JET, MAIN #1 5 | 1 | U.R. |
| 37 | 8A6-14516-45-00 | . JET, MAIN #1 5 | 1 | U.R. |

Not For Resale

www.SmallEngineDiscount.com

EXHAUST

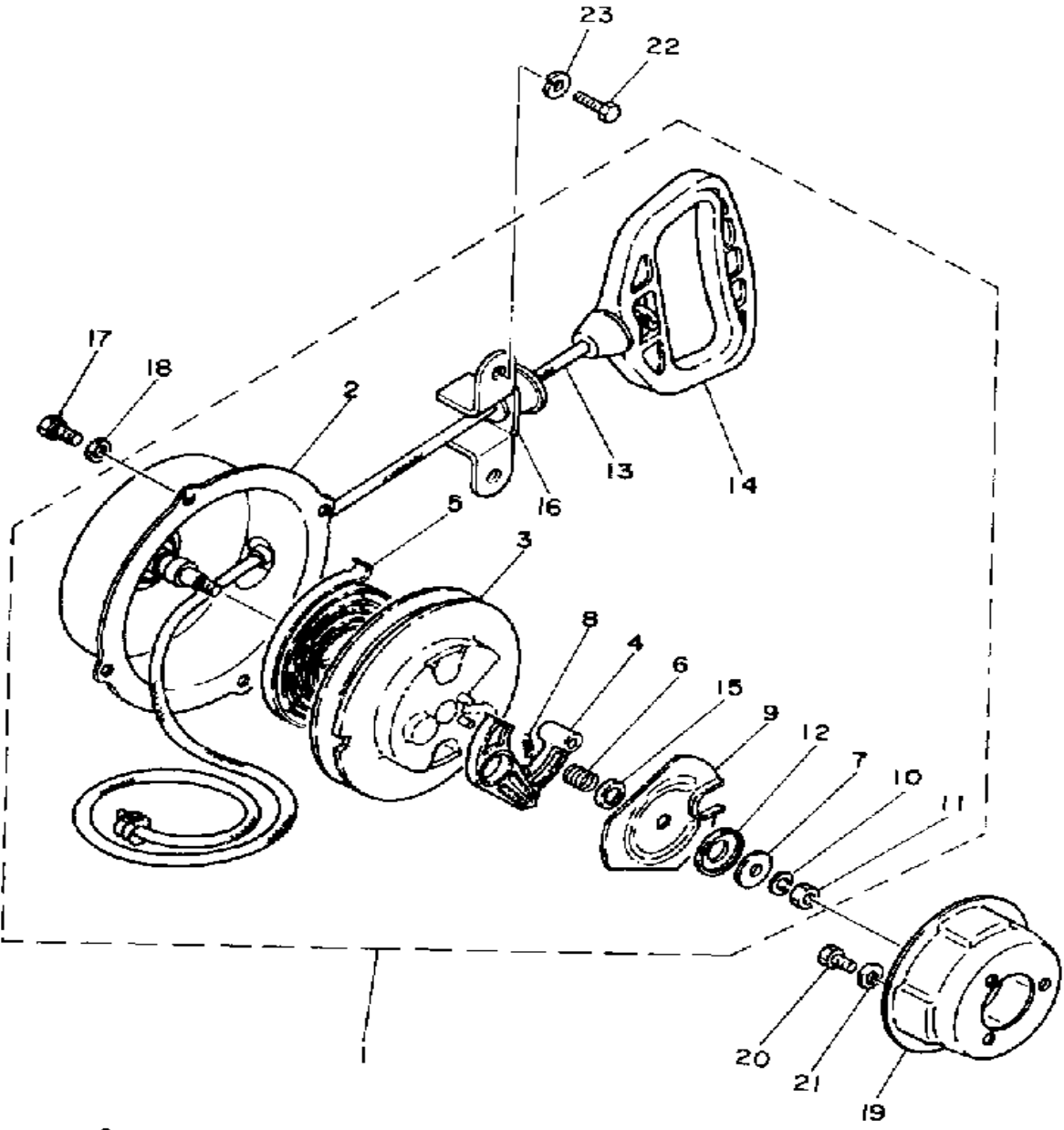
| Ref. No. | Part Number | Description | Qty | Remarks |
|----------|-----------------|-------------------------|-----|---------|
| 1 | 8K4-14610-00-00 | EXHAUST PIPE ASSEMBLY 1 | 1 | |
| 2 | 821-14613-01-00 | GASKET, EXHAUST PIPE | 2 | |
| 3 | 97313-08020-00 | BOLT, HEXAGON | 4 | |
| 4 | 92902-08100-00 | WASHER, SPRING | 4 | |
| 5 | 90506-20272-00 | SPRING, TENSION | 2 | |
| 6 | 8L0-14710-01-00 | MUFFLER ASSEMBLY L | 1 | |
| 7 | 8A5-14728-02-00 | PROTECTOR, MUFFLER 2 | 2 | |
| 8 | 90506-14207-00 | SPRING, TENSION | 1 | |
| 9 | 90506-16212-00 | SPRING, TENSION | 1 | |




8K41C0-0090

Not For Resale
www.SmallEngineDiscount.com

STARTER

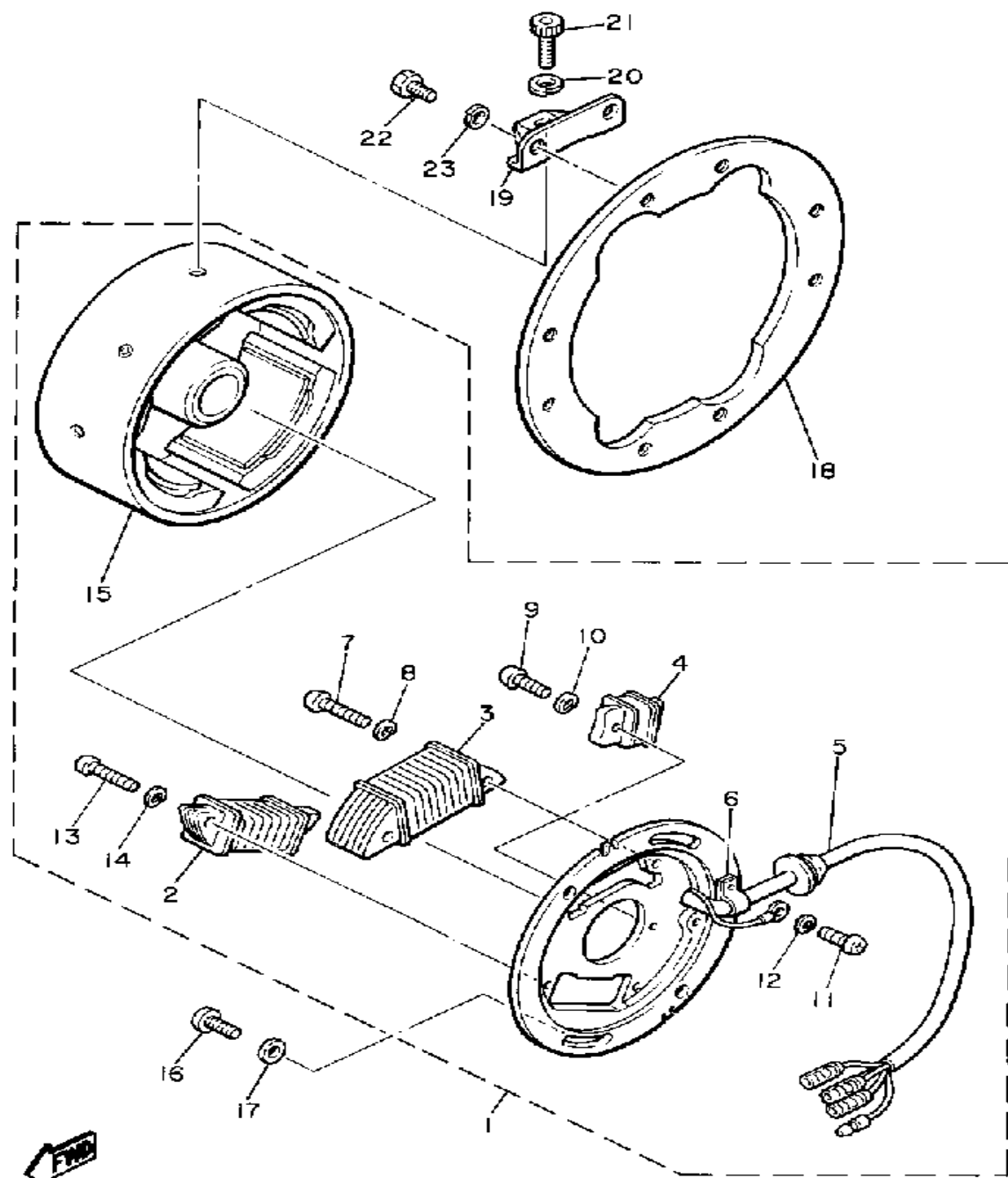


| Ref. No. | Part Number | Description | Qty | Remarks |
|----------|-----------------|--------------------|-----|---------|
| 1 | 8K4-15710-00-00 | STARTER ASSEMBLY | 1 | |
| 2 | 8H8-15711-00-00 | . CASE, STARTER | 1 | |
| 3 | 8F3-15714-01-00 | . DRUM, SHEAVE | 1 | |
| 4 | 8F3-15741-01-00 | . PAWL, DRIVE | 1 | |
| 5 | 8Y0-15713-00-00 | . SPRING, STARTER | 1 | |
| 6 | 8F3-15715-00-00 | . SPRING, FRICTION | 1 | |
| 7 | 8F3-15739-01-00 | . WASHER, THRUST | 1 | |
| 8 | 8F3-15734-00-00 | . SPRING, RETURN | 1 | |
| 9 | 8F3-15716-03-00 | . PLATE, DRIVE | 1 | |
| 10 | 92995-06100-00 | . WASHER, SPRING | 1 | |
| 11 | 95380-06700-00 | . NUT | 1 | |
| 12 | 8G5-15739-00-00 | . WASHER, THRUST | 1 | |
| 13 | 857-15751-00-00 | . WIRE, STARTER | 1 | |
| 14 | 8F3-15755-00-00 | . HANDLE, STARTER | 1 | |
| 15 | 82M-15779-00-00 | . COVER | 1 | |
| 16 | 8K4-15788-00-00 | . HOLDER, HANDLE | 1 | |
| 17 | 97026-06014-00 | BOLT | 4 | |
| 18 | 92906-06100-00 | WASHER, SPRING | 4 | |
| 19 | 8H8-15723-01-00 | PULLEY, STARTER | 1 | |
| 20 | 97313-08020-00 | BOLT, HEXAGON | 3 | |
| 21 | 92902-08100-00 | WASHER, SPRING | 3 | |
| 22 | 97026-06012-00 | BOLT | 2 | |
| 23 | 92906-06100-00 | WASHER, SPRING | 2 | |

8K4100-0100

Not For Resale
www.SmallEngineDiscount.com

C - D - I - MAGNETO



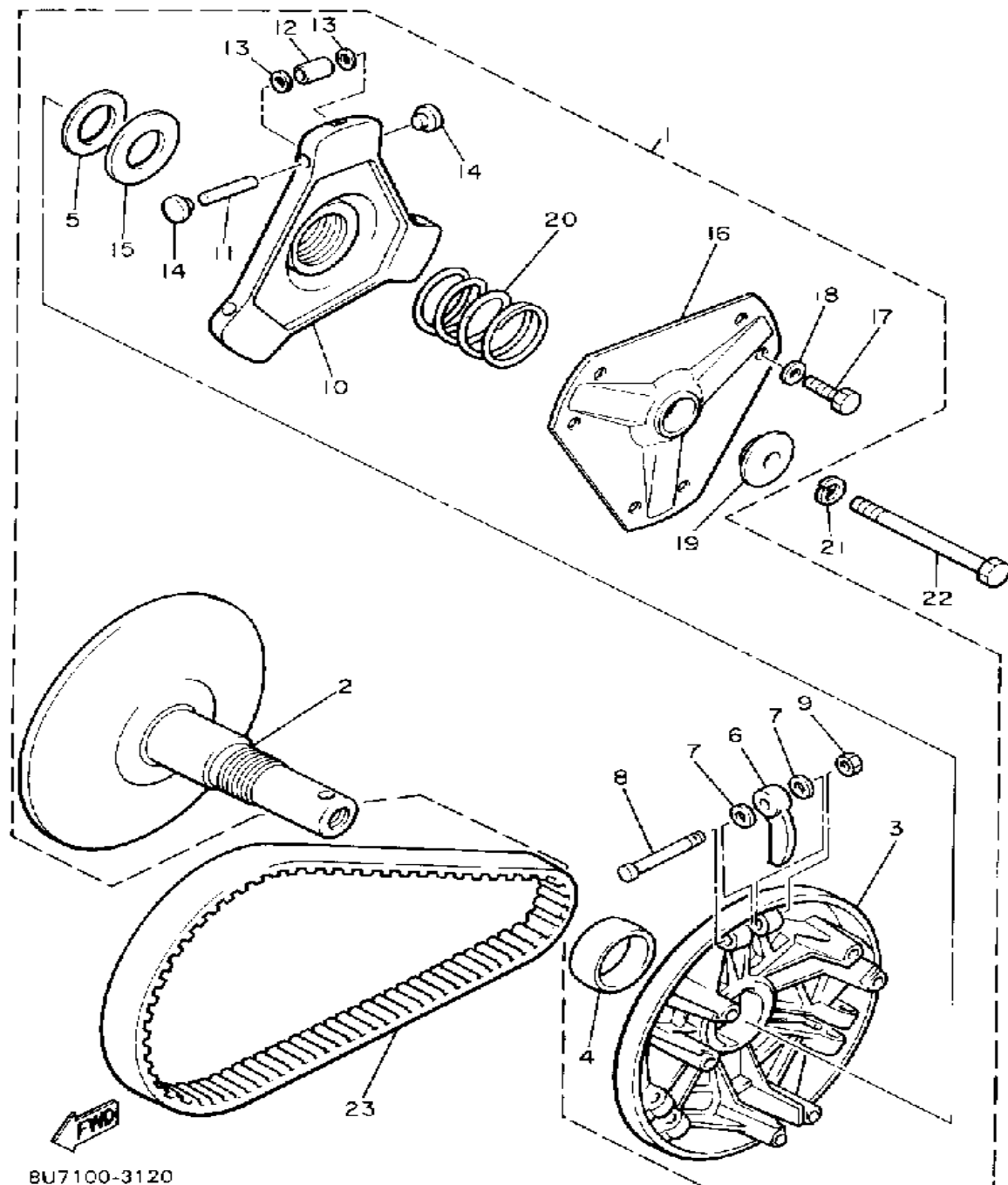
8R6100-2110

| Ref. No. | Part Number | Description | Qty | Remarks |
|----------|-------------------|--|-----|---------|
| 1 | 8N8-85500-20-00 | CDI MAGNETO ASSEMBLY ... | 1 | |
| 2 | 8N4-85511-20-00 | . COIL SOURCE 1 | 1 | |
| 3 | 8G8-85513-20-00 | . COIL, LIGHTING 1 | 1 | |
| 4 | 82M-85580-20-00 | . COIL, PULSER | 1 | |
| 5 | (8N5-85515-20-00) | LEAD WIRE ASSEMBLY | 1 | |
| 6 | 104-81328-20-00 | . CLAMP | 1 | |
| 7 | 98501-05035-00 | . SCREW, PAN HEAD | 2 | |
| 8 | 92990-05100-00 | . WASHER, SPRING | 2 | |
| 9 | 98506-04018-00 | . SCREW, PAN HEAD | 2 | |
| 10 | 92901-04100-00 | . WASHER, SPRING | 2 | |
| 11 | 98580-04008-00 | . SCREW, PAN HEAD | 1 | |
| 12 | 92901-04100-00 | . WASHER, SPRING | 1 | |
| 13 | 98501-05018-00 | . SCREW, PAN HEAD | 2 | |
| 14 | 92990-05100-00 | . WASHER, SPRING | 2 | |
| 15 | 8J9-85550-20-00 | . ROTOR ASSEMBLY (8K1-85550-20) | 1 | |
| 16 | 98903-06014-00 | SCREW, BIND | 2 | |
| 17 | 90201-06043-00 | WASHER, PLATE | 2 | |
| 18 | 8H8-81891-00-00 | GEAR, RING | 1 | |
| 19 | 8H8-81895-00-00 | STAY, RING GEAR | 4 | |
| 20 | 92902-08100-00 | WASHER, SPRING | 4 | |
| 21 | 90110-08028-00 | BOLT, HEX SKT HEADSOCKET HEAD | 4 | |
| 22 | 97013-06012-00 | BOLT | 8 | |
| 23 | 92995-06100-00 | WASHER, SPRING | 8 | |

Not For Resale

www.SmallEngineDiscount.com

PRIMARY SHEAVE



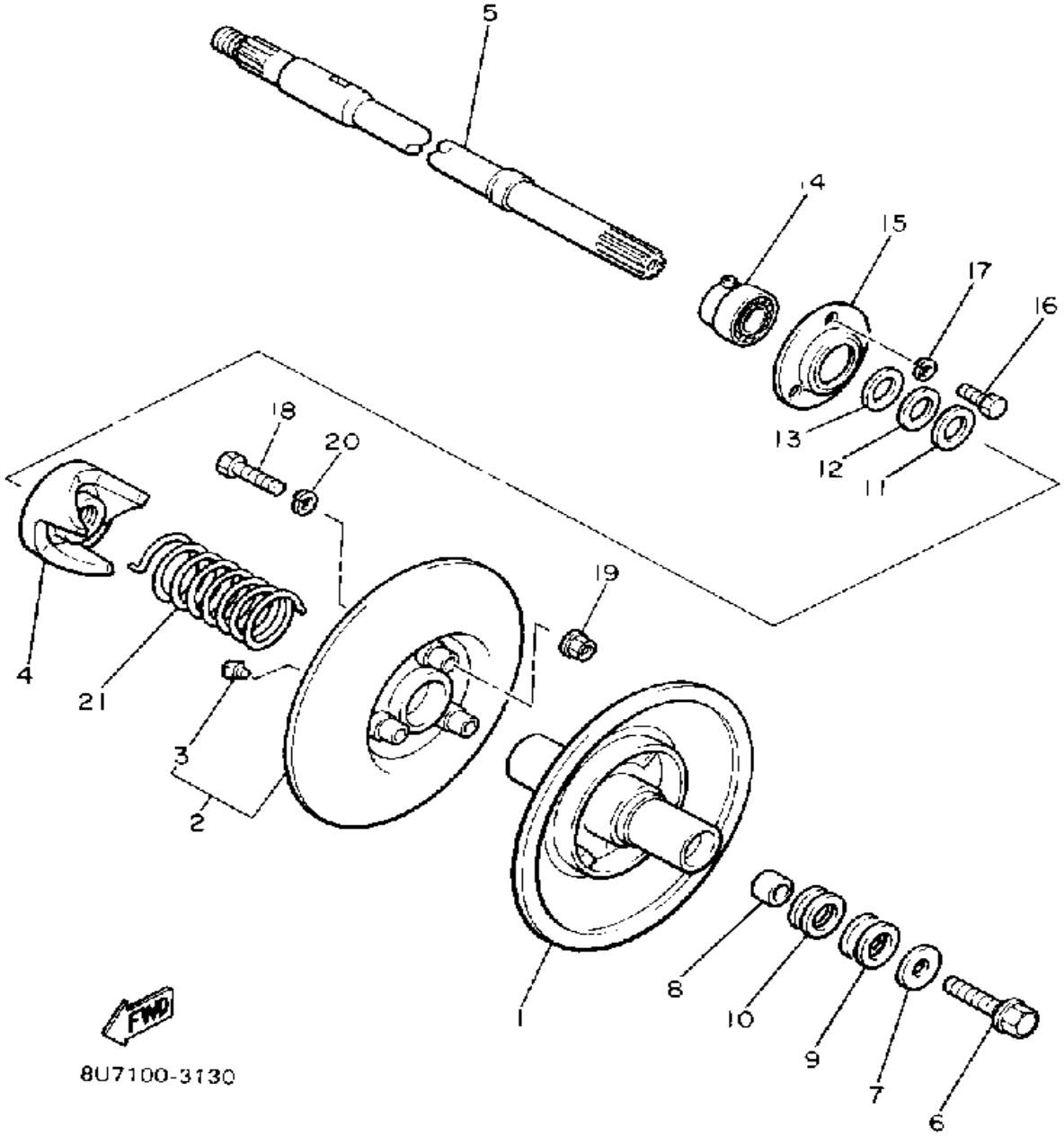
BU7100-3120

| Ref. No. | Part Number | Description | Qty | Remarks |
|----------|-------------------|-------------------------------|-----|---------------|
| 1 | 8U7-17601-00-00 | PRIMARY SHEAVE ASS'Y | 1 | |
| 2 | 8U7-17610-00-00 | . PRI FIXED SHEAVESHEAVE COMP | 1 | |
| 3 | 8U7-17621-00-00 | . SHEAVE, PRI SLIDING | 1 | |
| 4 | 8U7-17625-00-00 | . BUSH COMET | 1 | |
| 5 | (8U7-17639-00-00) | STOPPER | 1 | |
| 6 | 8U7-17633-00-00 | . WEIGHT | 3 | |
| | 8U7-17635-10-00 | . UNAVAILABLE IN PRICE BOOK | 3 | HIGH ALTITUDE |
| 7 | 8U7-17649-00-00 | . SPACER | 6 | |
| 8 | 8U7-17616-00-00 | . BOLT WEIGHT COMET | 3 | |
| 9 | 8U7-17627-00-00 | . SPIDER | 1 | |
| | 8U7-17668-00-00 | . NUT | 3 | |
| 11 | 8U7-17636-00-00 | . PIN | 3 | |
| 12 | 8U7-17645-00-00 | . COLLAR | 3 | |
| 13 | 8U7-17658-00-00 | . WASHER, BELLEVILLE | 6 | |
| 14 | 8U7-17653-00-00 | . SLIDER | 6 | |
| 15 | 8U7-17654-00-00 | . SPACER 1 | 1 | |
| 16 | 8U7-17630-00-00 | . PRI SHV CAPCAP COMP | 1 | |
| 17 | 8U7-17617-00-00 | . BOLT CAP COMET | 6 | |
| 18 | 8U7-17646-00-00 | . WASHER, LOCK | 6 | |
| 19 | 8U7-17648-00-00 | . WASHER | 1 | |
| 20 | 8U7-17643-00-00 | . SPRING | 1 | |
| | 8U7-17643-10-00 | . SPRING, PRIMARY | 1 | HIGH ALTITUDE |
| 21 | 90204-13010-00 | WASHER, SPRING | 1 | |
| 22 | 8U7-17647-01-00 | BOLT | 1 | |
| 23 | 8F2-17641-01-00 | V-BELT | 1 | |

Not For Resale

www.SmallEngineDiscount.com

SECONDARY SHEAVE

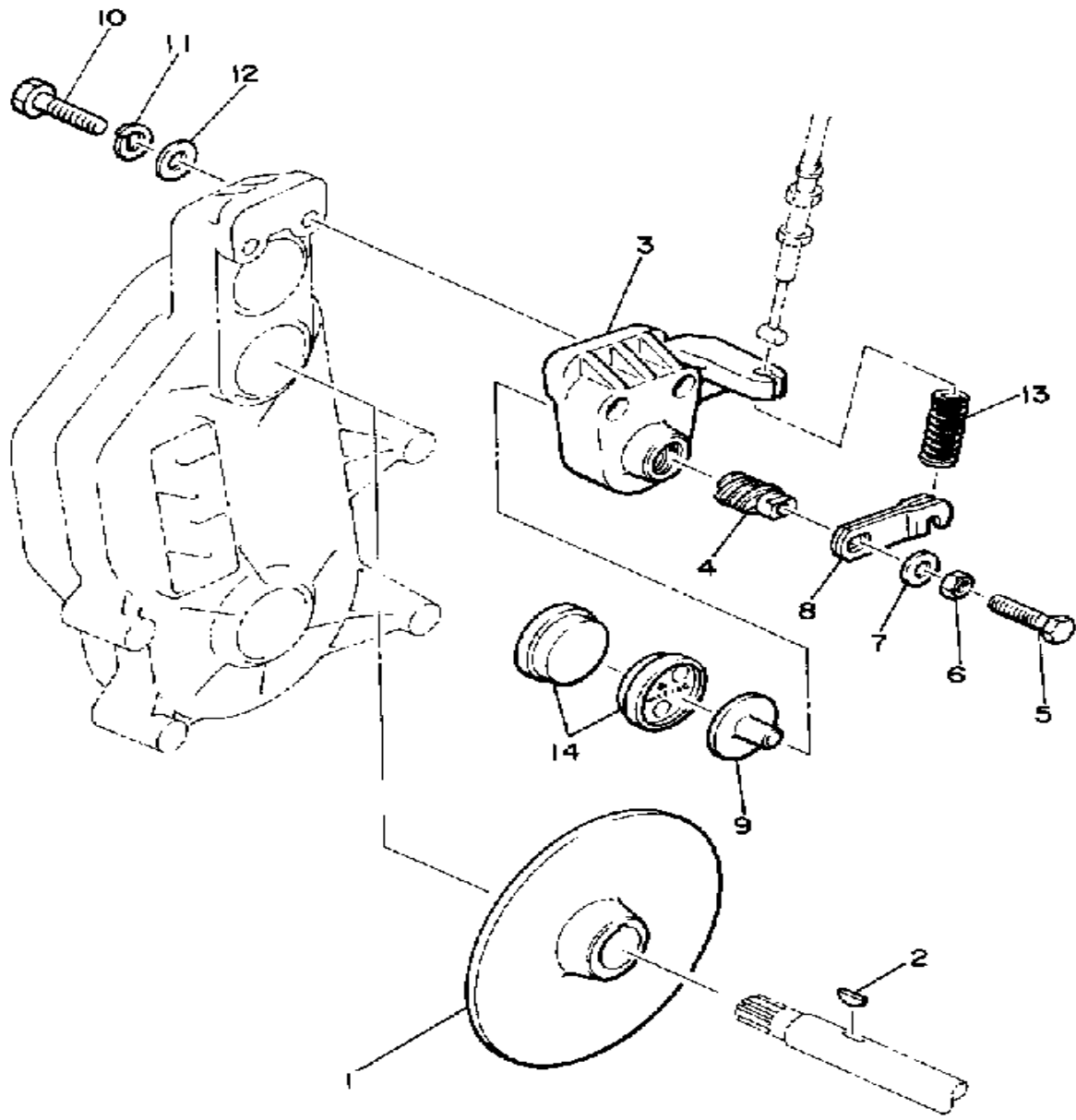


| Ref. No. | Part Number | Description | Qty | Remarks |
|----------|------------------|----------------------|-----|---------|
| 1 | 8K4-17660-00-00 | SEC FXD SHV | 1 | |
| 2 | 99999-01794-00 | SEC.SLDNG.SHV.SET | 1 | |
| 3 | 8X6-17688-00-00 | . SHOE, RAMP | 3 | |
| 4 | 8U7-17684-01-00 | SEAT, SEC SPRING | 1 | |
| 5 | 82M-17681-00-00 | SHAFT, SECONDARY | 1 | |
| 6 | 90105-14236-00 | BOLT, WASHER BASED | 1 | |
| 7 | 90201-140A6-00 | WASHER, PLATE | 1 | |
| 8 | 90387-143G0-00 | COLLAR | 1 | |
| 9 | 90201-222F0-00 | WASHER, PLATE (T0.5) | 1 | |
| 10 | 90201-225A4-00 | WASHER, PLATE (T1.0) | 1 | |
| 11 | 90201-25526-00 | WASHER, PLATE (T2.0) | 1 | |
| 12 | 90201-25527-00 | WASHER, PLATE (T1.0) | 1 | |
| 13 | 90201-252F1-00 | WASHER, PLATE (T0.5) | 1 | |
| 14 | 8L8-17678-00-00 | BEARING | 1 | |
| 15 | 8K4-47631-01-00 | HOUSING, BEARING | 1 | |
| 16 | 97011-08016-00 | BOLT | 3 | |
| 17 | 92990-08100-00 | WASHER | 3 | |
| 18 | (90109-08680-00) | BOLT | 3 | |
| 19 | 95712-08300-00 | NUT, LOCK | 3 | |
| 20 | 90201-08452-00 | WASHER, PLATE | 3 | |
| 21 | 90508-50571-00 | SPRING, TORSION | 1 | |

Not For Resale

www.SmallEngineDiscount.com

BRAKE



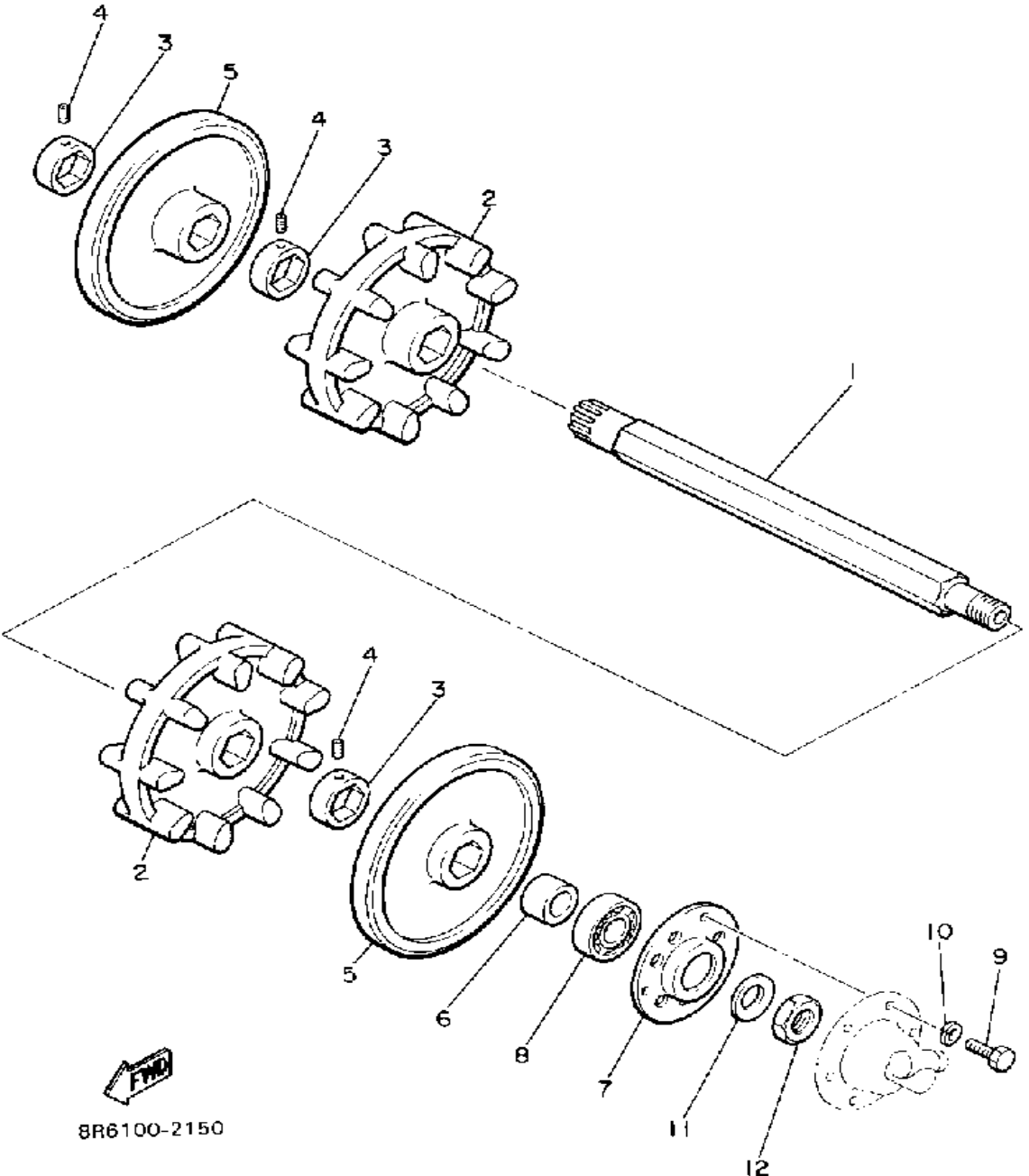
| Ref. No. | Part Number | Description | Qty | Remarks |
|----------|-----------------|-----------------------------|-----|---------|
| 1 | 8L8-25831-00-00 | DISC, BRAKE (R) | 1 | |
| 2 | 8J7-25848-00-00 | KEY | 1 | |
| 3 | 8K4-25731-00-00 | BODY, CALIPER 1 | 1 | |
| 4 | 878-25728-00-00 | CAM | 1 | |
| 5 | 90101-08499-00 | BOLT | 1 | |
| 6 | 95303-08700-00 | NUT | 1 | |
| 7 | 92901-08600-00 | WASHER | 1 | |
| 8 | 878-25726-00-00 | LEVER, BRAKE | 1 | |
| 9 | 878-25733-00-00 | PLATE, BACK UP | 1 | |
| 10 | 97313-10055-00 | BOLT, HEXAGON (97322-10055) | 2 | |
| 11 | 92990-10100-00 | WASHER, SPRING | 2 | |
| 12 | 92990-10600-00 | WASHER, PLATE | 2 | |
| 13 | 90501-23337-00 | SPRING, COMPRESSION | 1 | |
| 14 | 84X-25811-01-00 | PAD, CALIPER 2 | 1 | U.R. |



BL8100-1140

Not For Resale
www.SmallEngineDiscount.com

TRACK DRIVE 1

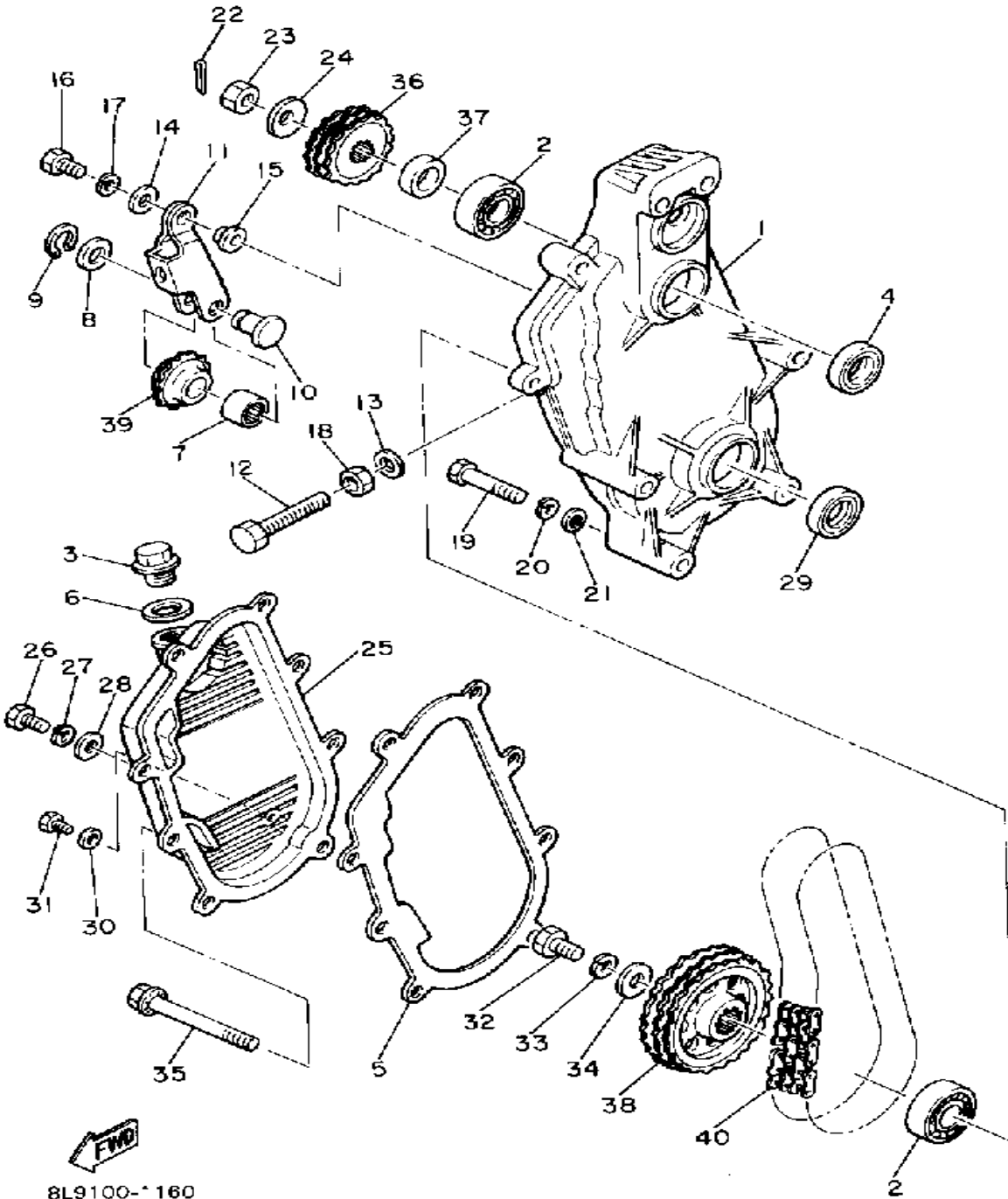


| Ref. No. | Part Number | Description | Qty | Remarks |
|----------|-----------------|------------------------|-----|---------|
| 1 | 8L0-W4751-00-00 | AXLE, FRONT | 1 | |
| 2 | 8R6-W4753-01-00 | WHEEL, SPROCKET 1 | 2 | |
| 3 | 8K1-47526-00-00 | COLLAR | 3 | |
| 4 | 90113-06039-00 | BOLT, SET | 3 | |
| 5 | 8L9-47534-01-00 | WHEEL, GUIDE 1 | 2 | |
| 6 | 90387-220A6-00 | COLLAR | 1 | |
| 7 | 8K4-47551-00-00 | HOUSING, FRONT AXLE | 1 | |
| 8 | 93306-00420-00 | BEARING (B6004) | 1 | |
| 9 | 97011-08016-00 | BOLT | 3 | |
| 10 | 92902-08100-00 | WASHER, SPRING | 3 | |
| 11 | 90208-22001-00 | WASHER, CONICAL SPRING | 1 | |
| 12 | 90170-22094-00 | NUT | 1 | |

Not For Resale

www.SmallEngineDiscount.com

TRACK DRIVE 2



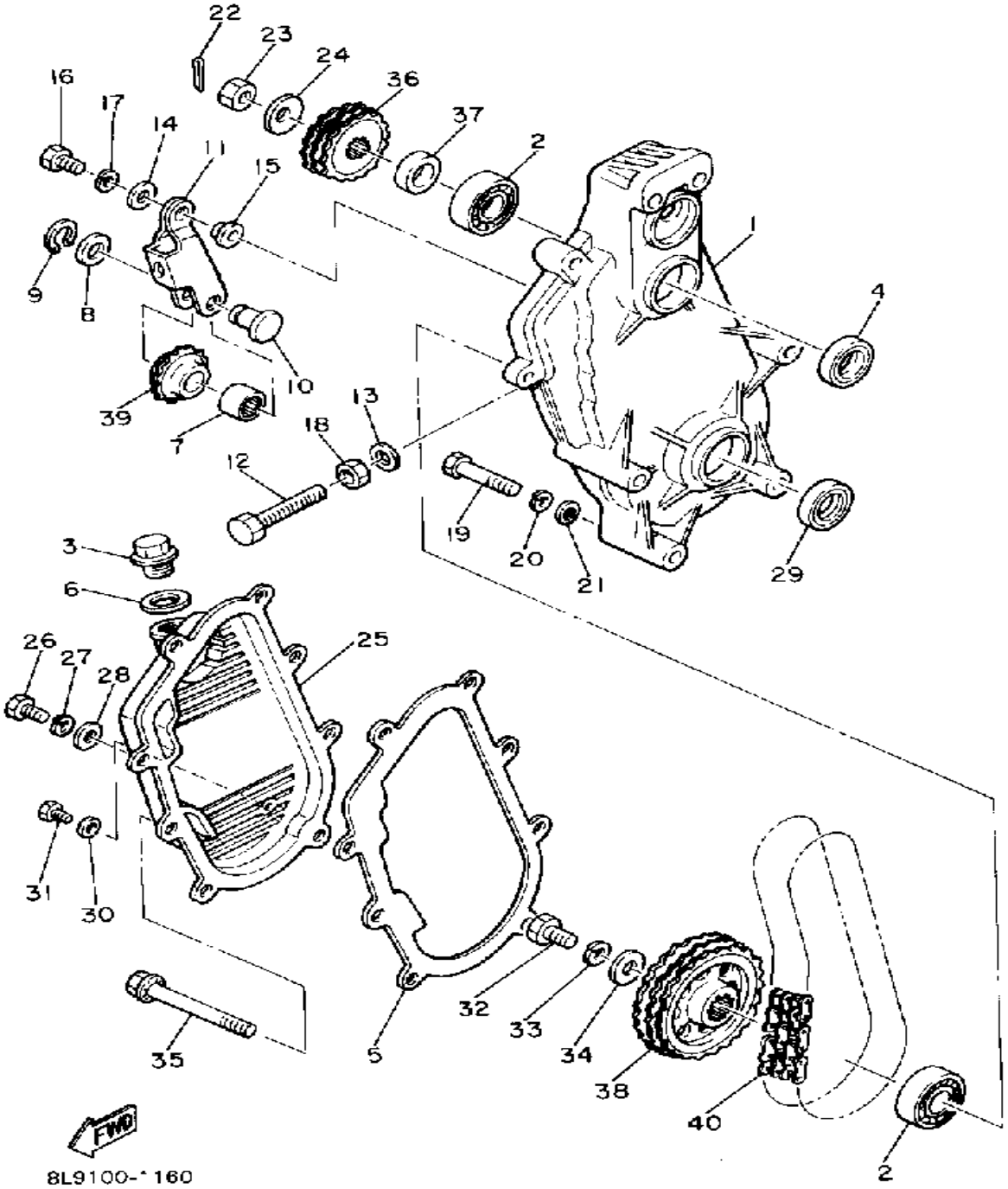
| Ref. No. | Part Number | Description | Qty | Remarks |
|----------|-----------------|-------------------------------------|-----|---------|
| 1 | 99999-02203-00 | HOUSING, CHAIN (8L9-47541-00-00) | 1 | |
| 2 | 93306-20570-00 | BEARING | 2 | |
| 3 | 90340-22047-00 | PLUG, STRAIGHT SCREW | 1 | |
| 4 | 93102-27204-00 | OIL SEAL | 1 | |
| 5 | 86M-47592-00-00 | GASKET | 1 | |
| 6 | 90430-22144-00 | GASKET | 1 | |
| 7 | 93315-21227-00 | BEARING | 1 | |
| 8 | 90201-12631-00 | WASHER, PLATE | 1 | |
| 9 | 99009-12400-00 | CIRCLIP | 1 | |
| 10 | 90249-12135-00 | PIN, SPEC'L SHAPE | 1 | |
| 11 | 8K4-47613-00-00 | HOLDER | 1 | |
| 12 | 90101-10357-00 | BOLT | 1 | |
| 13 | 90210-10004-00 | WASHER, SEAL | 1 | |
| 14 | 92990-08200-00 | WASHER, PLAIN | 2 | |
| 15 | 90387-08301-00 | COLLAR | 1 | |
| 16 | 97013-08025-00 | BOLT | 1 | |
| 17 | 92902-08100-00 | WASHER, SPRING | 1 | |
| 18 | 95303-10700-00 | NUT | 1 | |
| 19 | 97021-08065-00 | BOLT | 2 | |
| 20 | 92902-08100-00 | WASHER, SPRING | 2 | |
| 21 | 92901-08600-00 | WASHER | 2 | |
| 22 | 91401-30030-00 | PIN, COTTER | 1 | |
| 23 | 90170-20211-00 | NUT | 1 | |
| 24 | 90208-20008-00 | WASHER, CONICAL SPRING | 1 | |
| 25 | 8L9-47543-00-00 | CAP, HOUSING | 1 | |
| 26 | 97021-06030-00 | BOLT | 6 | |
| 27 | 92995-06100-00 | WASHER, SPRING | 6 | |
| 28 | 92901-06600-00 | WASHER | 6 | |

CONTINUED ON NEXT FRAME ►

Not For Resale

www.SmallEngineDiscount.com

TRACK DRIVE 2

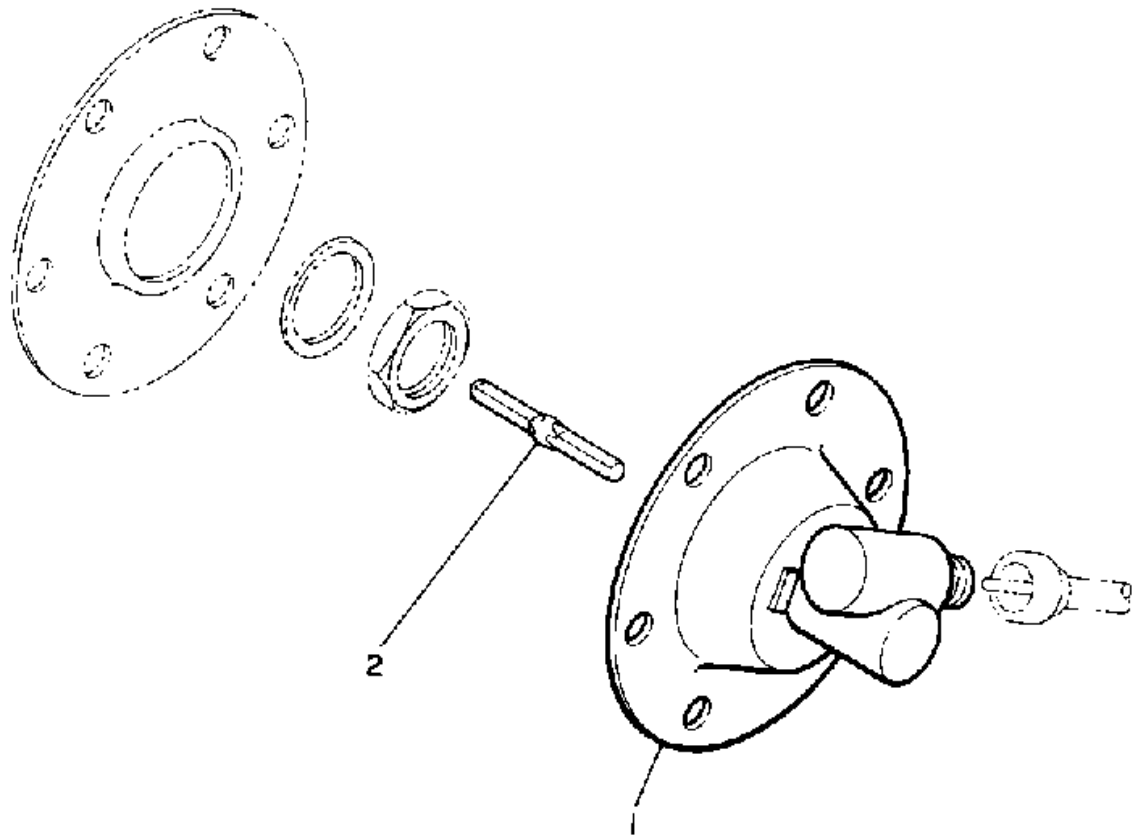


| Ref. No. | Part Number | Description | Qty | Remarks |
|----------|-----------------|--|-----|----------------|
| 29 | 93102-25081-00 | OIL SEAL | 1 | |
| 30 | 90210-06006-00 | WASHER, SEAL | 1 | |
| 31 | 97011-06010-00 | BOLT | 1 | |
| 32 | 97011-10025-00 | BOLT | 1 | |
| 33 | 92990-10100-00 | WASHER, SPRING | 1 | |
| 34 | 90201-10322-00 | WASHER, PLATE | 1 | |
| 35 | 95811-08090-00 | BOLT, FLANGE (95822-08090) . | 2 | |
| 36 | 829-17682-00-00 | SPRKT, CHAIN DR 20T (20T) .. | 1 | ALTERNATE PART |
| | 829-17682-50-00 | SPRKT, CHAIN DR 15T (878-17682-50) (15T) | 1 | ALTERNATE PART |
| | 829-17682-60-00 | SPRKT, CHAIN DR 16T (16T) .. | 1 | ALTERNATE PART |
| | 829-17682-70-00 | SPRKT, CHAIN DR 17T (17T) .. | 1 | U.R. STD |
| | 829-17682-80-00 | SPRKT, CHAIN DR 18T (18T) .. | 1 | ALTERNATE PART |
| | 829-17682-90-00 | SPRKT, CHAIN DR 19T (878-17682-90) (19T) | 1 | ALTERNATE PART |
| | 8U9-17693-10-00 | SPROCKET, CHAIN DR (878-17693-10) (21T) | 1 | ALTERNATE PART |
| | 8U9-17693-20-00 | SPROCKET, CHAIN DR (878-17693-20) (22T) | 1 | ALTERNATE PART |
| 37 | 90387-25798-00 | COLLAR | 1 | |
| 38 | 878-47548-90-00 | SPROCKET, CHN DRVN (29T) . | 1 | ALTERNATE PART |
| | 8U9-47587-00-00 | SPROCKET, CHN DRVN (31T) . | 1 | U.R. STD |
| | 8U9-47587-10-00 | SPROCKET, CHN DRVN (888-47587-00) (33T) | 1 | ALTERNATE PART |
| 39 | 8L0-47612-00-00 | WHEEL | 1 | |
| 40 | 94850-35068-00 | CHAIN 68 (RS35V-368L) | 1 | ALTERNATE PART |
| | 94850-35070-00 | CHAIN 70 (RS35V-3 70L) | 1 | ALTERNATE PART |
| | 94890-03064-00 | CHAIN 8 8 | 1 | ALTERNATE PART |
| | 94890-05066-00 | CHAIN | 1 | U.R. STD |

Not For Resale

www.SmallEngineDiscount.com

SPEEDOMETER - GEAR UNIT



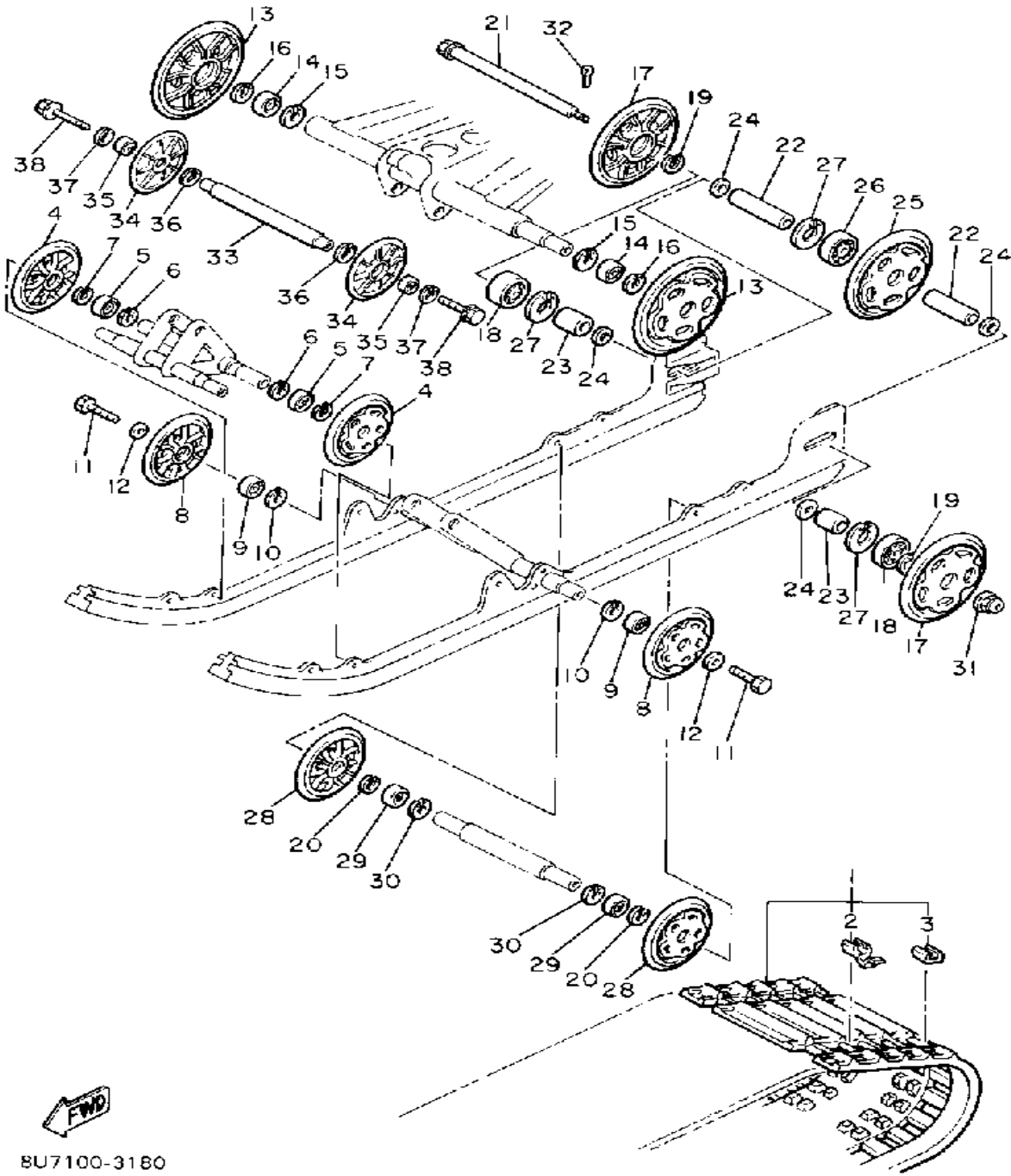
| Ref. No. | Part Number | Description | Qty | Remarks |
|----------|-----------------|-------------------------|-----|---------|
| 1 | 8L9-47700-00-00 | METER GEAR HOUSING COMP | 1 | |
| 2 | 8K4-47715-00-00 | JOINT | 1 | |



8K4100-0170

Not For Resale
www.SmallEngineDiscount.com

TRACK SUSPENSION 1



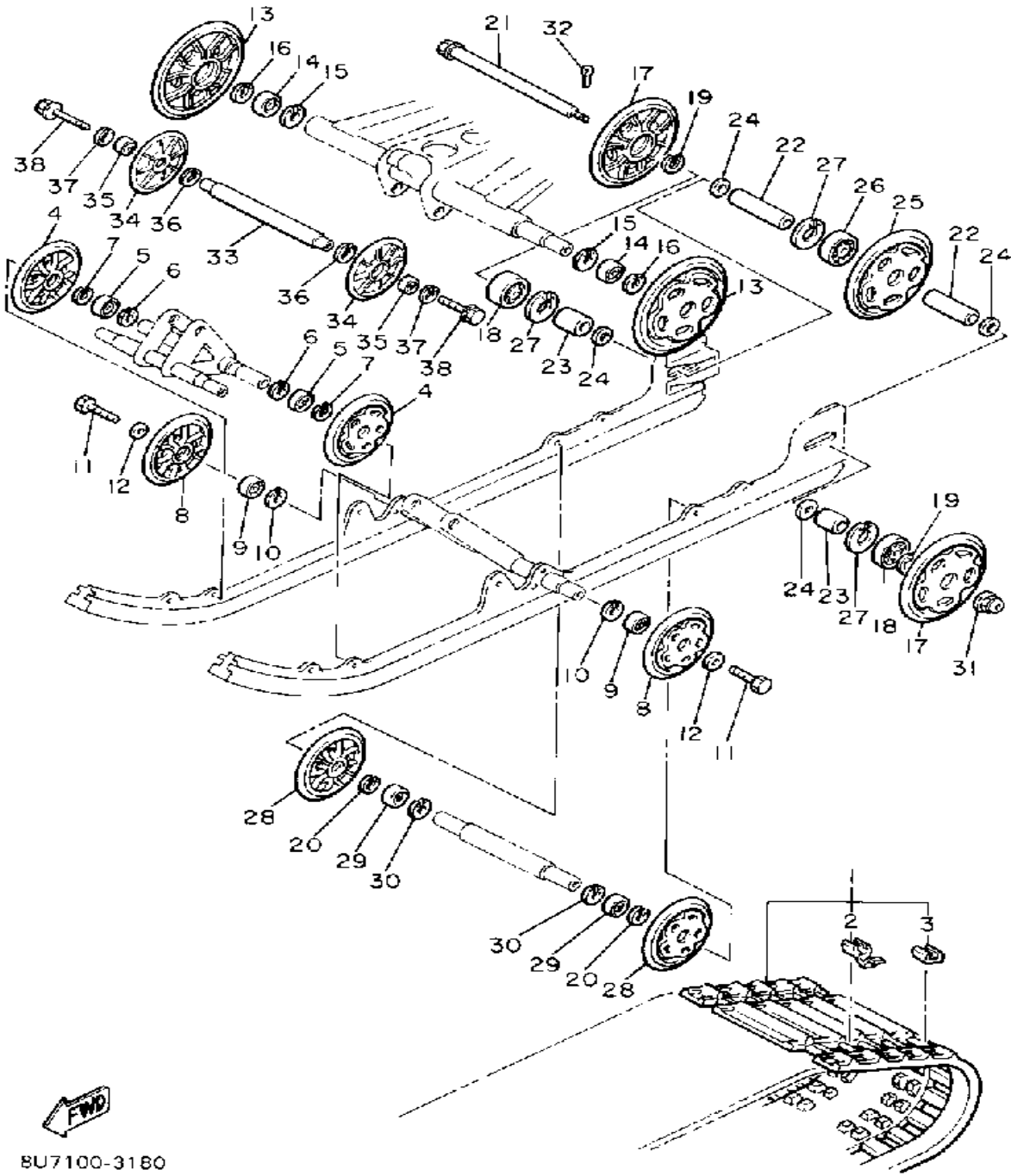
BU7100-3180

| Ref. No. | Part Number | Description | Qty | Remarks |
|----------|-----------------|--------------------------------------|-----|---------|
| 1 | 87F-47110-01-00 | TRACK ASSEMBLY | 1 | |
| 2 | 8A5-47113-00-00 | . PLATE, REINFORCEMENT | 48 | |
| 3 | 8G9-47115-00-00 | . METAL, SLIDE | 48 | |
| 4 | 87M-47320-00-00 | SUSPENSION WHEEL COMP. | 2 | |
| 5 | 93306-00441-00 | BEARING (89A) (B6004RS) | 2 | |
| 6 | 99009-42500-00 | CIRCLIP | 2 | |
| 7 | 99009-20400-00 | CIRCLIP | 2 | |
| 8 | 87U-47320-00-00 | SUSPENSION WHEEL COMP. | 2 | |
| 9 | 93306-00441-00 | BEARING (89A) (B6004RS) | 2 | |
| 10 | 99009-42500-00 | CIRCLIP | 2 | |
| 11 | 90109-08559-00 | BOLT | 2 | |
| 12 | 90201-08681-00 | WASHER, PLATE | 2 | |
| 13 | 8U7-47320-00-00 | SUSPENSION WHEEL COMP. | 2 | |
| 14 | 93306-00441-00 | BEARING (89A) (B6004RS) | 2 | |
| 15 | 99009-42500-00 | CIRCLIP | 2 | |
| 16 | 99009-20400-00 | CIRCLIP | 2 | |
| 17 | 87M-47320-00-00 | SUSPENSION WHEEL COMP. | 2 | |
| 18 | 93306-00441-00 | BEARING (89A) (B6004RS) | 2 | |
| 19 | 99009-42500-00 | CIRCLIP | 2 | |
| 20 | 99009-20400-00 | CIRCLIP | 2 | |
| 21 | 8L8-47520-01-00 | REAR AXLE COMP. (8L8-47520-02-00) | 1 | |
| 22 | 90387-202H9-00 | COLLAR | 2 | |
| 23 | 90387-203H0-00 | COLLAR | 2 | |
| 24 | 90201-20279-00 | WASHER, PLATE | 4 | |
| 25 | 8K2-47530-00-00 | GUIDE WHEEL COMP. | 1 | |
| 26 | 93306-20417-00 | BEARING (B62042RS) | 1 | |
| 27 | 99009-47500-00 | CIRCLIP | 3 | |
| 28 | 8M6-47530-00-00 | GUIDE WHEEL COMP. | 2 | |

CONTINUED ON NEXT FRAME ►

Not For Resale
www.SmallEngineDiscount.com

TRACK SUSPENSION 1

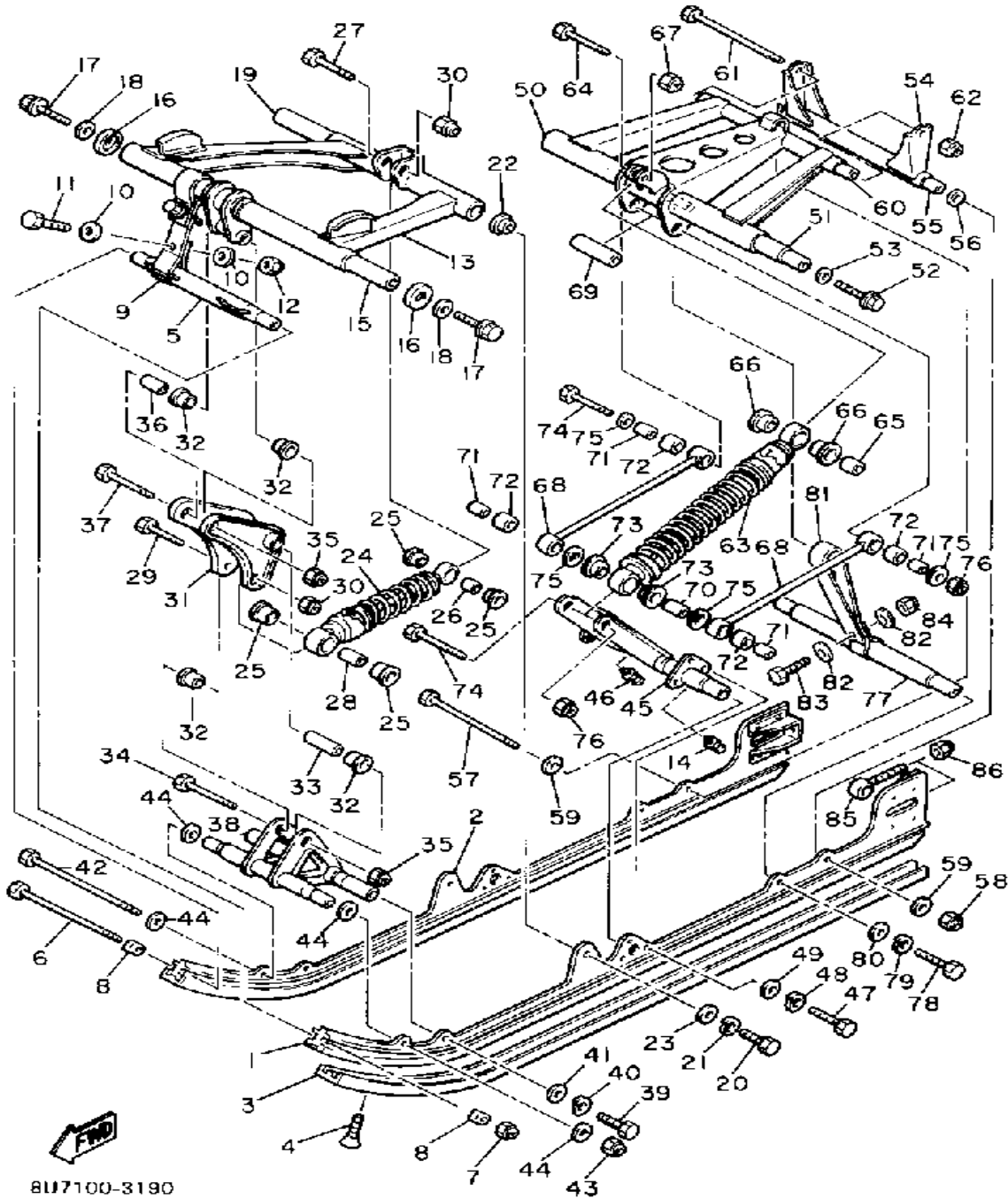


| Ref. No. | Part Number | Description | Qty | Remarks |
|----------|-----------------|-------------------------|-----|---------|
| 29 | 93306-20417-00 | BEARING (B62042RS) | 2 | |
| 30 | 99009-47500-00 | CIRCLIP | 2 | |
| 31 | 95601-14200-00 | NUT, U | 1 | |
| 32 | 91401-30020-00 | PIN, COTTER | 1 | |
| 33 | 8L1-47461-00-00 | IDLER | 1 | |
| 34 | 8H8-47320-00-00 | SUSPENSION WHEEL COMP. | 2 | |
| 35 | 93306-00441-00 | BEARING (89A) (B6004RS) | 2 | |
| 36 | 99009-42500-00 | CIRCLIP | 2 | |
| 37 | 99009-20400-00 | CIRCLIP | 2 | |
| 38 | 95816-08018-00 | BOLT, FLANGE | 2 | |

BU7100-3180

Not For Resale
www.SmallEngineDiscount.com

TRACK SUSPENSION 2



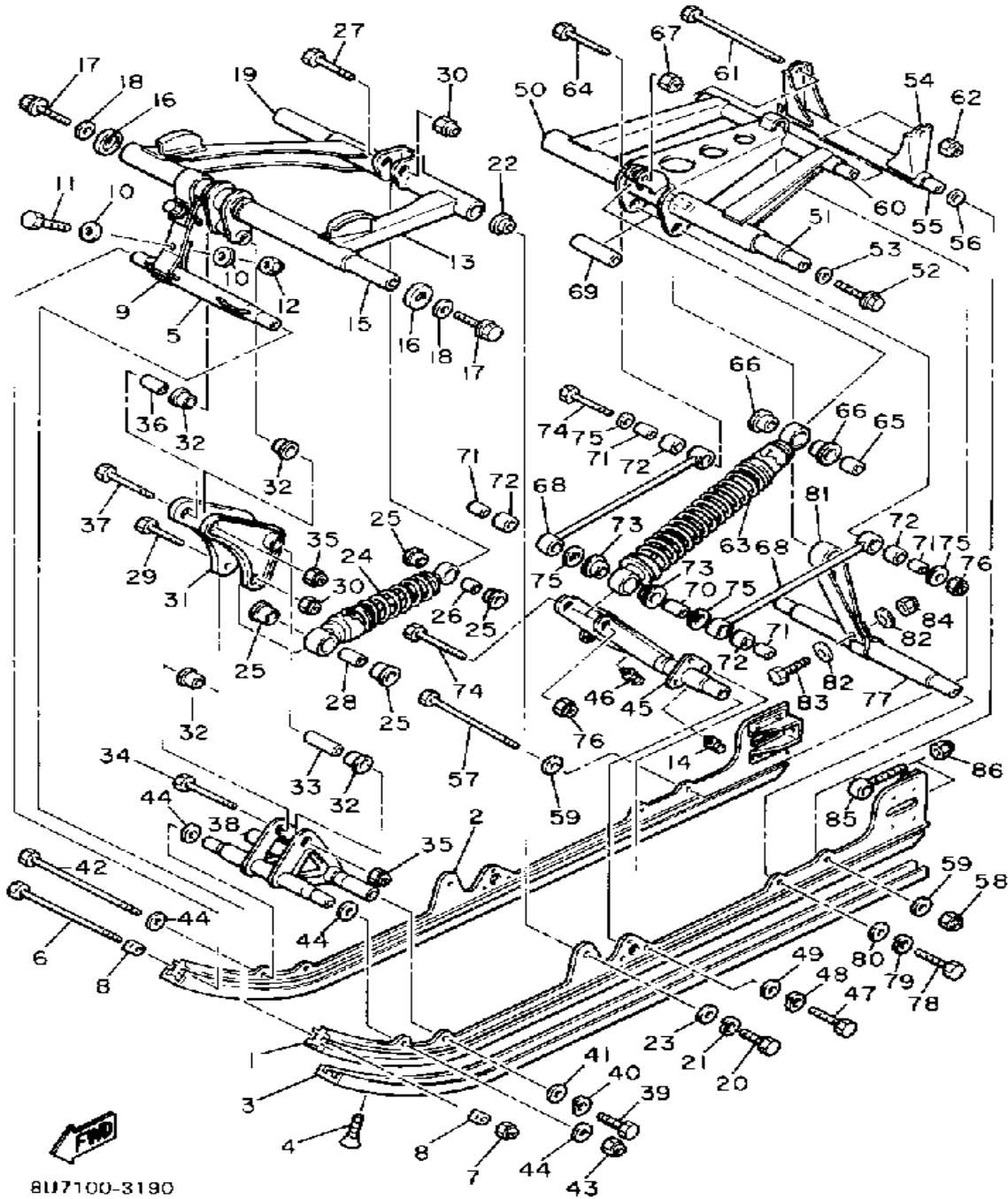
8U7100-3190

| Ref. No. | Part Number | Description | Qty | Remarks |
|----------|-----------------|-----------------------------------|-----|---------|
| 1 | 88R-47411-02-00 | FRAME, SLIDING 1 | 1 | |
| 2 | 88R-47412-02-00 | FRAME, SLIDING 2 | 1 | |
| 3 | 8R9-47421-00-00 | RUNNER, SLIDING 1 | 2 | |
| 4 | 90151-06010-00 | SCREW, COUNTERSUNK | 2 | |
| 5 | 8U7-47415-00-00 | BRACKET 1 | 1 | |
| 6 | 97022-08250-00 | BOLT | 1 | |
| 7 | 95712-08300-00 | NUT, LOCK | 1 | |
| 8 | 8U7-47359-00-00 | WASHER | 2 | |
| 9 | 8U7-47495-00-00 | STOPPER 1 | 2 | |
| 10 | 90201-06407-00 | WASHER, PLATE (90201-06747-00) | 8 | |
| 11 | 97011-06025-00 | BOLT (97001-06025) | 4 | |
| 12 | 95701-06300-00 | NUT, NYLON | 4 | |
| 13 | 8U7-47331-00-00 | ARM, PIVOT 1 | 1 | |
| 14 | 93700-06M03-00 | NIPPLE, GREASE | 1 | |
| 15 | 885-47465-02-00 | SHAFT 1 | 1 | |
| 16 | 8U7-47341-00-00 | SPACER | 2 | |
| 17 | 95816-10035-00 | BOLT, FLANGE | 2 | |
| 18 | 90201-10669-00 | WASHER, PLATE | 2 | |
| 19 | 82M-47485-01-00 | SHAFT 3 | 1 | |
| 20 | 97013-10030-00 | BOLT (8J7) (97303-10030) | 2 | |
| 21 | 92990-10100-00 | WASHER, SPRING | 2 | |
| 22 | 90387-105G6-00 | COLLAR | 2 | |
| 23 | 92990-10200-00 | WASHER, PLAIN | 2 | |
| 24 | 8V9-47481-00-00 | SHOCK ABSORBER 2 | 1 | |
| 25 | 90387-123G4-00 | COLLAR | 4 | |
| 26 | 90387-08775-00 | COLLAR | 1 | |
| 27 | 90101-08557-00 | BOLT | 1 | |
| 28 | 90387-086G1-00 | COLLAR | 1 | |

CONTINUED ON NEXT FRAME ➤

Not For Resale
www.SmallEngineDiscount.com

TRACK SUSPENSION 2



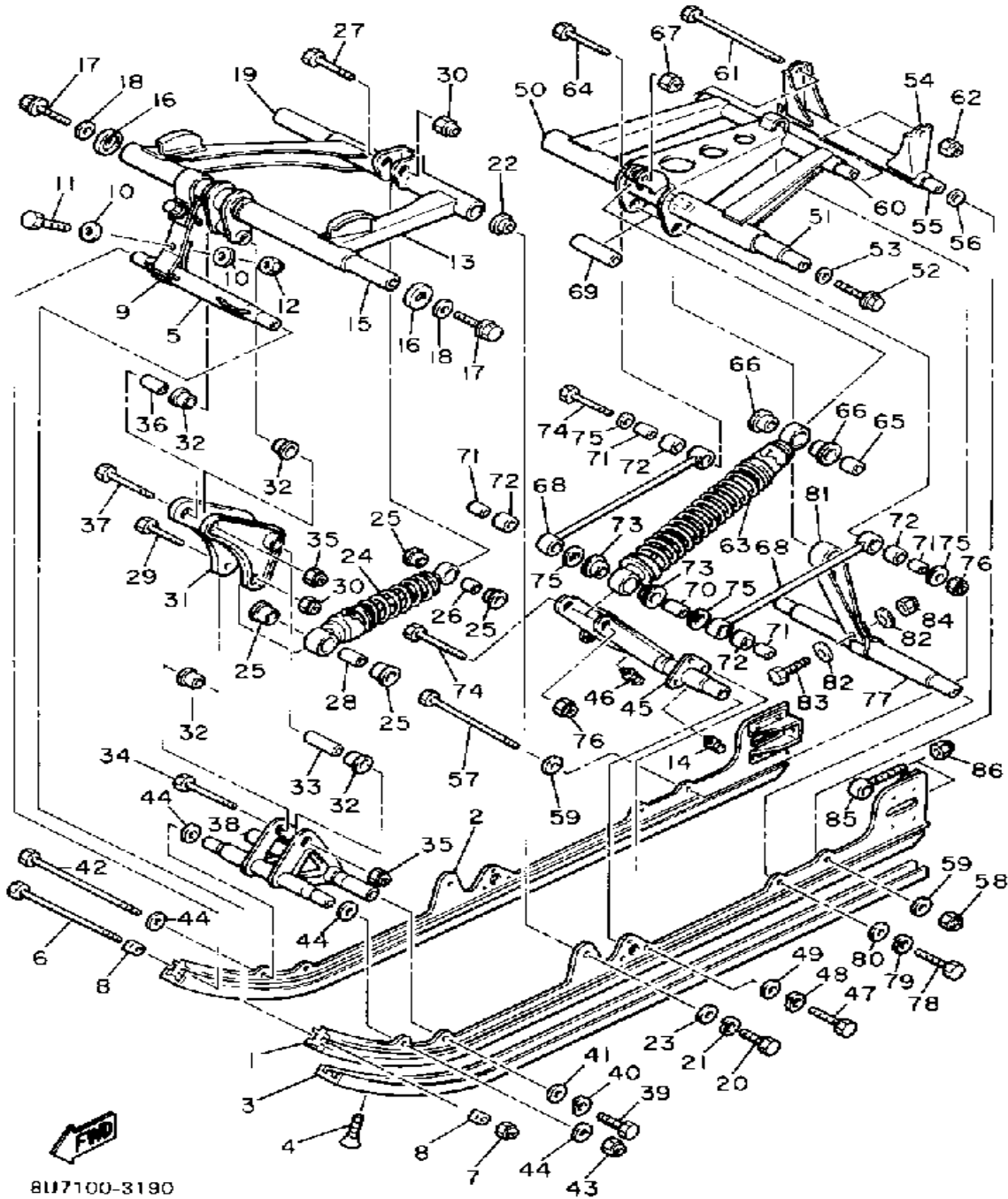
8U7100-3190

| Ref. No. | Part Number | Description | Qty | Remarks |
|----------|-----------------|-----------------------------------|-----|---------|
| 29 | 97021-08065-00 | BOLT | 1 | |
| 30 | 95712-08300-00 | NUT, LOCK | 2 | |
| 31 | 8U7-47464-00-00 | BRACKET 6 | 1 | |
| 32 | 90387-123G5-00 | COLLAR | 4 | |
| 33 | 90387-086G1-00 | COLLAR | 1 | |
| 34 | 97021-08065-00 | BOLT | 1 | |
| 35 | 95712-08300-00 | NUT, LOCK | 2 | |
| 36 | 90387-084G0-00 | COLLAR | 1 | |
| 37 | 97022-08100-00 | BOLT | 1 | |
| 38 | 8U7-47418-00-00 | BRACKET 4 | 1 | |
| 39 | 97013-08025-00 | BOLT | 2 | |
| 40 | 92902-08100-00 | WASHER, SPRING | 2 | |
| 41 | 92901-08600-00 | WASHER | 2 | |
| 42 | 97022-08250-00 | BOLT | 1 | |
| 43 | 95712-08300-00 | NUT, LOCK | 1 | |
| 44 | 92901-08600-00 | WASHER | 4 | |
| 45 | 8AX-47416-00-00 | BRACKET 2 | 1 | |
| 46 | 93700-06M03-00 | NIPPLE, GREASE | 1 | |
| 47 | 97011-06020-00 | BOLT | 6 | |
| 48 | 92995-06100-00 | WASHER, SPRING | 6 | |
| 49 | 92901-06600-00 | WASHER | 6 | |
| 50 | 99999-02178-00 | ARM, PIVOT 2 (8U7-47332-00-00) | 1 | |
| 51 | 8U7-47475-01-00 | SHAFT 2 | 1 | |
| 52 | 95816-10035-00 | BOLT, FLANGE | 2 | |
| 53 | 90201-10669-00 | WASHER, PLATE | 2 | |
| 54 | 8U7-47417-00-00 | BRACKET 3 | 1 | |
| 55 | 90387-08632-00 | COLLAR | 1 | |
| 56 | 90201-08649-00 | WASHER, PLATE | 2 | |

CONTINUED ON NEXT FRAME ►

Not For Resale
www.SmallEngineDiscount.com

TRACK SUSPENSION 2



8U7100-3190

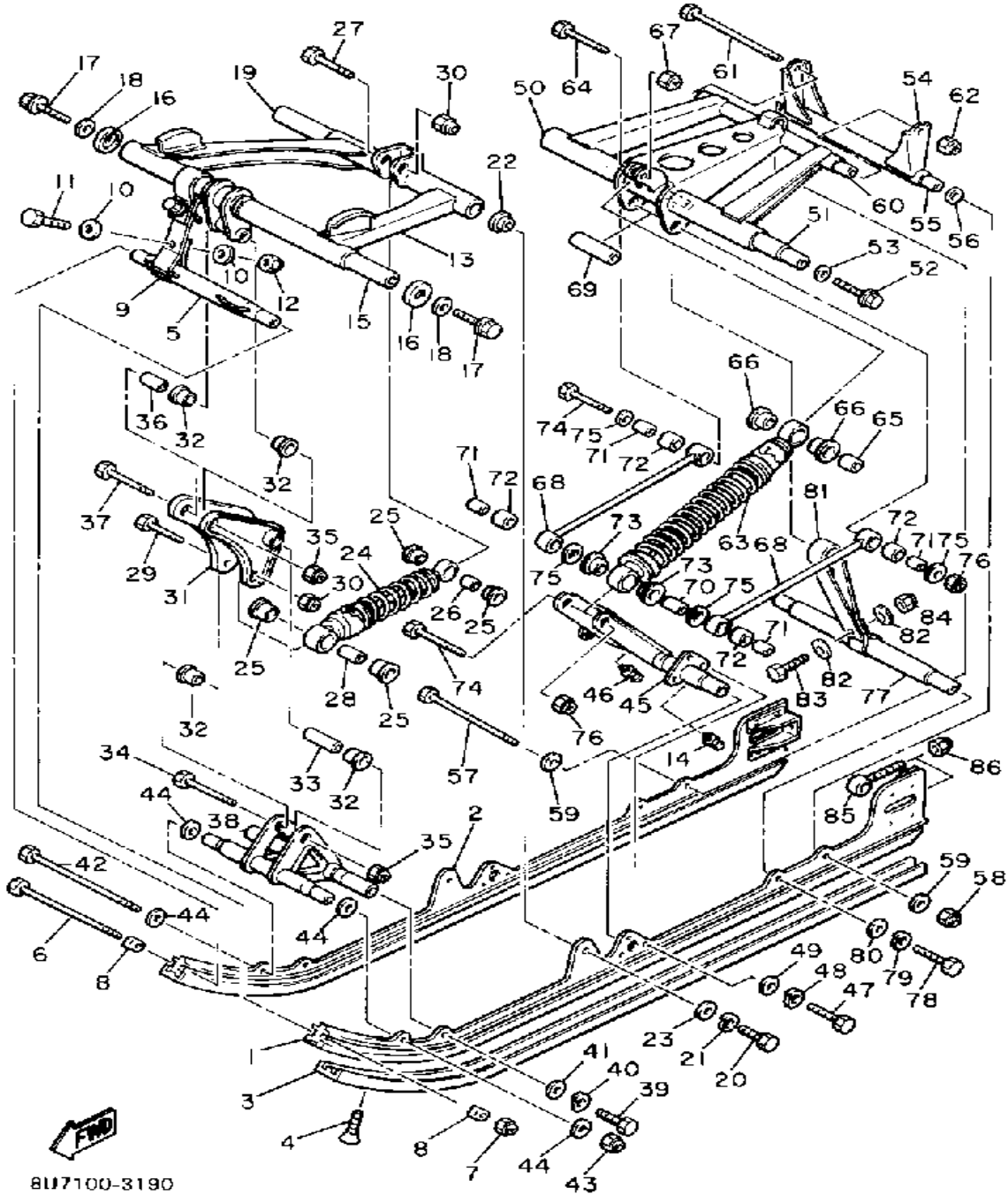
| Ref. No. | Part Number | Description | Qty | Remarks |
|----------|-----------------|--------------------------------|-----|---------|
| 57 | 97022-08250-00 | BOLT | 1 | |
| 58 | 95712-08300-00 | NUT, LOCK | 1 | |
| 59 | 92901-08600-00 | WASHER | 2 | |
| 60 | 90387-083G6-00 | COLLAR | 1 | |
| 61 | 97022-08220-00 | BOLT | 1 | |
| 62 | 95712-08300-00 | NUT, LOCK | 1 | |
| 63 | 8Y0-47480-00-00 | SHOCK ABSORBER | 1 | |
| 64 | 90101-10561-00 | BOLT | 1 | |
| 65 | 90387-105G5-00 | COLLAR | 1 | |
| 66 | 90387-145G7-00 | COLLAR | 2 | |
| 67 | 95701-10300-00 | NUT, FLANGE (95702-10300) | 1 | |
| 68 | 8U7-47494-02-00 | ROD, RELAY | 2 | |
| 69 | 90387-103G9-00 | COLLAR | 1 | |
| 70 | 90387-104G1-00 | COLLAR | 1 | |
| 71 | 90387-100X3-00 | COLLAR | 4 | |
| 72 | 90387-143G7-00 | COLLAR | 4 | |
| 73 | 90387-144G2-00 | COLLAR | 2 | |
| 74 | 90101-10560-00 | BOLT | 2 | |
| 75 | 90201-102A2-00 | WASHER, PLATE | 4 | |
| 76 | 95701-10300-00 | NUT, FLANGE (95702-10300) | 2 | |
| 77 | 8U7-47486-00-00 | SHAFT 4 | 1 | |
| 78 | 97013-08025-00 | BOLT | 2 | |
| 79 | 92902-08100-00 | WASHER, SPRING | 2 | |
| 80 | 92901-08600-00 | WASHER | 2 | |
| 81 | 8U7-47496-00-00 | STOPPER 2 | 1 | |
| 82 | 90201-06407-00 | WASHER, PLATE (90201-06747-00) | 2 | |
| 83 | 97013-06035-00 | BOLT | 1 | |
| 84 | 95701-06300-00 | NUT, NYLON | 1 | |

CONTINUED ON NEXT FRAME ►

Not For Resale

www.SmallEngineDiscount.com

TRACK SUSPENSION 2

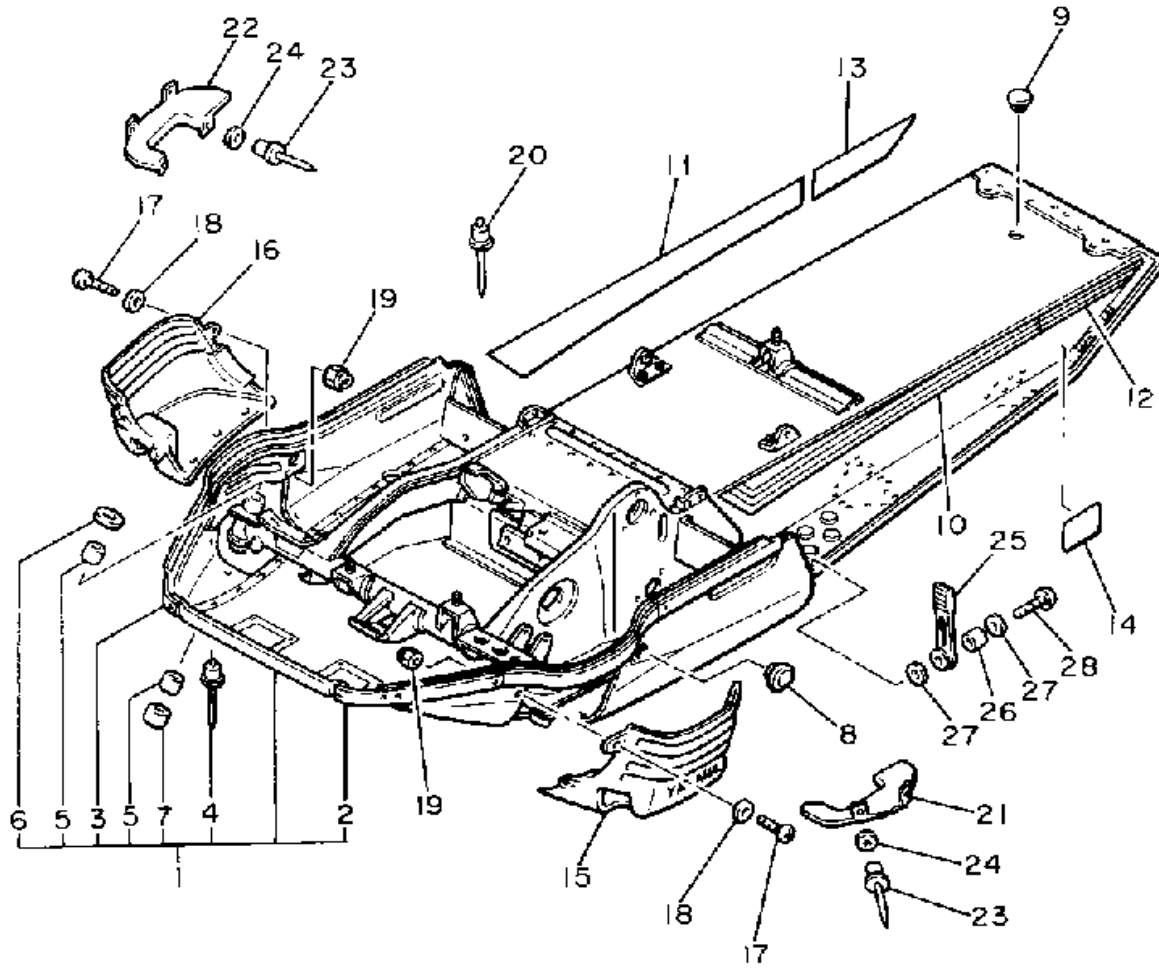


8117100-3190

| Ref. No. | Part Number | Description | Qty | Remarks |
|----------|-----------------|------------------------------|-----|---------|
| 85 | 8K2-47479-01-00 | COLLAR 3 | 2 | |
| 86 | 95701-10300-00 | NUT, FLANGE (95702-10300) .. | 2 | |

Not For Resale

www.SmallEngineDiscount.com



8U7100-3200

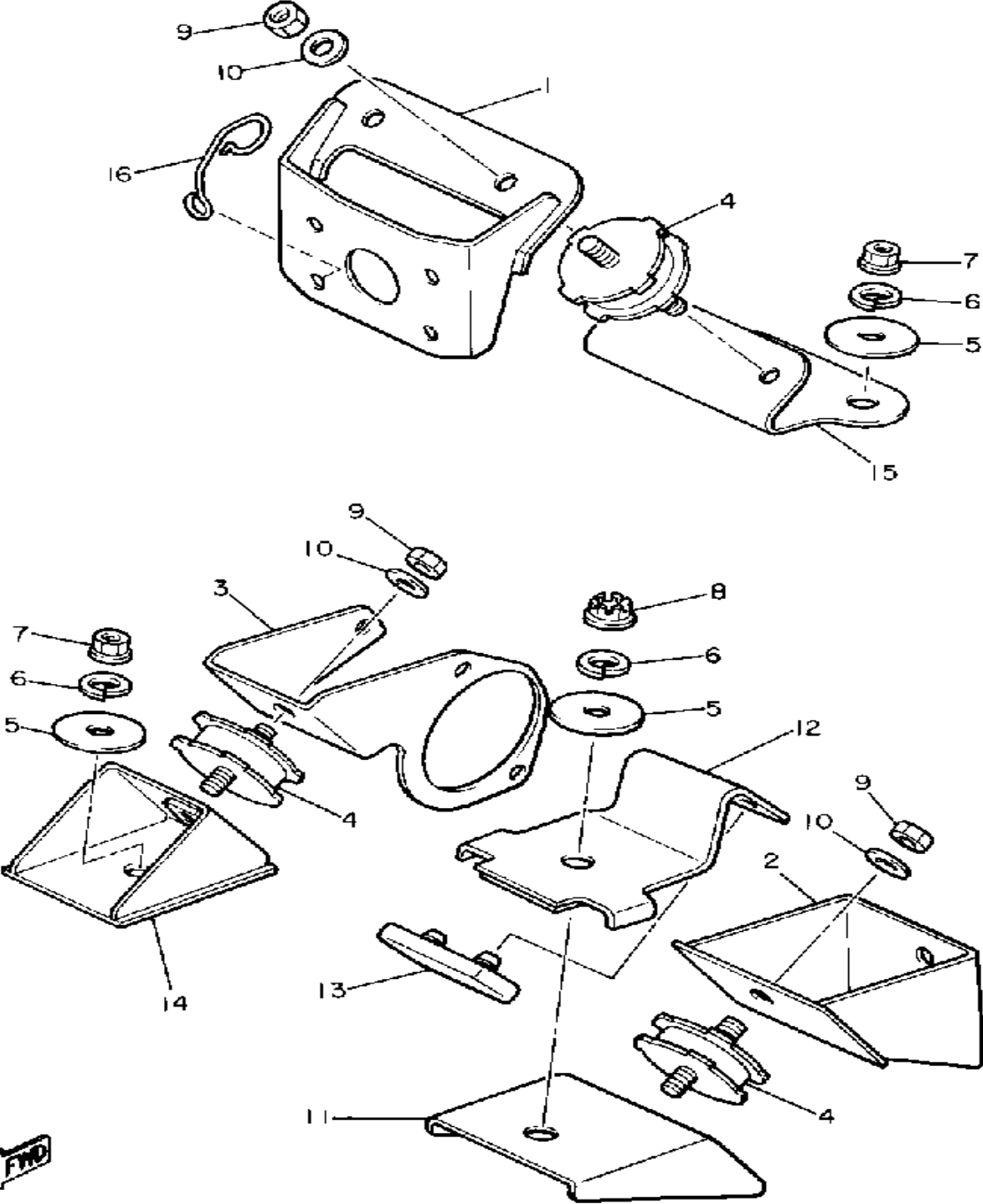
FRAME

| Ref. No. | Part Number | Description | Qty | Remarks |
|----------|-----------------|---------------------------------------|-----|---------|
| 1 | 8U7-21910-00-00 | FRAME COMP. | 1 | |
| 2 | 8U7-21982-00-00 | . HOOD 1 | 1 | |
| 3 | 8U7-21983-00-00 | . HOOD 2 | 1 | |
| 4 | 90267-48060-00 | . RIVET, BLIND | 40 | |
| 5 | 90384-36134-00 | . BUSH, BIMETAL FORMED ... | 4 | |
| 6 | 93102-36232-00 | . OIL SEAL | 2 | |
| 7 | 93103-36117-00 | . OIL SEAL | 2 | |
| 8 | 90338-40099-00 | PLUG | 1 | |
| 9 | 810-77716-00-00 | ORNAMENT, INSTRUMENT PANEL 2 | 1 | |
| 10 | 8U7-77351-00-00 | EMBLEM 1 | 1 | |
| 11 | 8U7-77352-00-00 | EMBLEM 2 | 1 | |
| 12 | 8U7-77353-00-00 | EMBLEM 3 | 1 | |
| 13 | 8U7-77354-00-00 | EMBLEM 4 | 1 | |
| 14 | 8K2-77742-00-00 | INDICATOR 2 | 1 | |
| 15 | 8L0-2198F-00-00 | COVER 1 | 1 | |
| 16 | 8L0-2198G-00-00 | COVER 2 | 1 | |
| 17 | 90154-05005-00 | SCREW, BINDING | 8 | |
| 18 | 90201-05029-00 | WASHER, PLATE | 8 | |
| 19 | 95701-05300-00 | NUT, NYLON | 8 | |
| 20 | 90267-48086-00 | RIVET, BLIND | 6 | |
| 21 | 8L9-2199F-00-00 | SHIELD, NOISE | 1 | |
| 22 | 8L9-2199J-00-00 | SHIELD, NOISE 2 | 1 | |
| 23 | 90267-48086-00 | RIVET, BLIND | 8 | |
| 24 | 90201-04325-00 | WASHER, PLATE | 8 | |
| 25 | 8M6-77171-00-00 | BODY, LATCH 1 | 2 | |
| 26 | 90387-06241-00 | COLLAR | 2 | |
| 27 | 90201-06059-00 | WASHER, PLATE | 4 | |
| 28 | 98906-06030-00 | SCREW, BIND | 2 | |

Not For Resale

www.SmallEngineDiscount.com

ENGINE BRACKET



| Ref. No. | Part Number | Description | Qty | Remarks |
|----------|-----------------|---------------------------|-----|---------|
| 1 | 8K4-21411-00-00 | BRACKET, ENGINE 1 | 1 | |
| 2 | 8R6-21419-00-00 | BRACKET, ENGINE 2 | 1 | |
| 3 | 8K4-21429-00-00 | BRACKET, ENGINE 3 | 1 | |
| 4 | 8N8-21486-00-00 | DAMPER 2 | 4 | |
| 5 | 90201-10321-00 | WASHER, PLATE | 4 | |
| 6 | 92990-10100-00 | WASHER, SPRING | 4 | |
| 7 | 95701-10500-00 | NUT, FLANGE (95702-10500) | 3 | |
| 8 | 90185-10115-00 | NUT, SELF-LOCKING | 1 | |
| 9 | 95303-10600-00 | NUT (95301-10600) | 4 | |
| 10 | 92990-10600-00 | WASHER, PLATE | 4 | |
| 11 | 8H8-21417-01-00 | BRACKET, FRT LWR 1 | 1 | |
| 12 | 8R6-2149E-00-00 | STOPPER | 1 | |
| 13 | 8R6-2140A-00-00 | DAMPER, STOPPER | 1 | |
| 14 | 8H8-21418-01-00 | BRACKET, FRONT LOWER 2 | 1 | |
| 15 | 8K4-21427-00-00 | BRACKET, REAR LWR 1 | 1 | |
| 16 | 90465-06100-00 | CLAMP | 1 | |

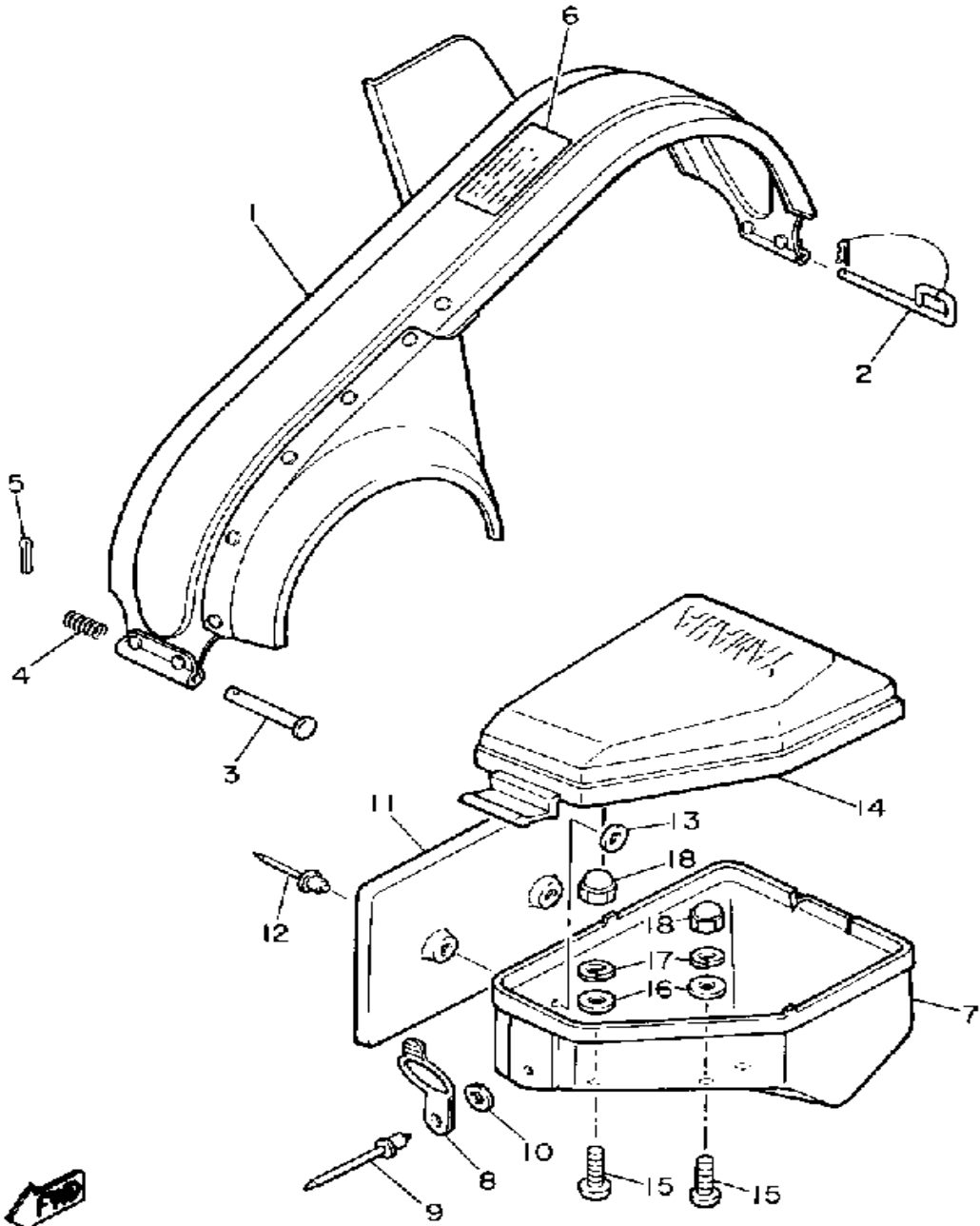


8U7100-3210

Not For Resale
www.SmallEngineDiscount.com

GUARD - LUGGAGE BOX

| Ref. No. | Part Number | Description | Qty | Remarks |
|----------|-----------------|---------------------------|-----|---------|
| 1 | 8R6-77311-02-00 | GUARD, DRIVE | 1 | |
| 2 | 8F3-77327-00-00 | SHAFT | 1 | |
| 3 | 91701-06082-00 | PIN, CLEVIS | 1 | |
| 4 | 90501-08661-00 | SPRING, COMPRESSION | 1 | |
| 5 | 90468-18008-00 | CLIP | 1 | |
| 6 | 8R6-77761-00-00 | LABEL, WARNING 1 | 1 | |
| 7 | 8N8-77381-00-00 | BOX, TOOL | 1 | |
| 8 | 8K4-77386-00-00 | HOOK 1 | 1 | |
| 9 | 90267-48086-00 | RIVET, BLIND | 1 | |
| 10 | 90201-04325-00 | WASHER, PLATE | 1 | |
| 11 | 8N8-77373-00-00 | PROTECTOR | 1 | |
| 12 | 90267-48079-00 | RIVET, BLIND | 2 | |
| 13 | 90201-04325-00 | WASHER, PLATE | 2 | |
| 14 | 8N8-77382-00-00 | LID, TOOL BOX | 1 | |
| 15 | 98906-06014-00 | SCREW, BIND | 3 | |
| 16 | 90201-06067-00 | WASHER, PLATE | 3 | |
| 17 | 92906-06100-00 | WASHER, SPRING | 3 | |
| 18 | 95306-06800-00 | NUT | 3 | |

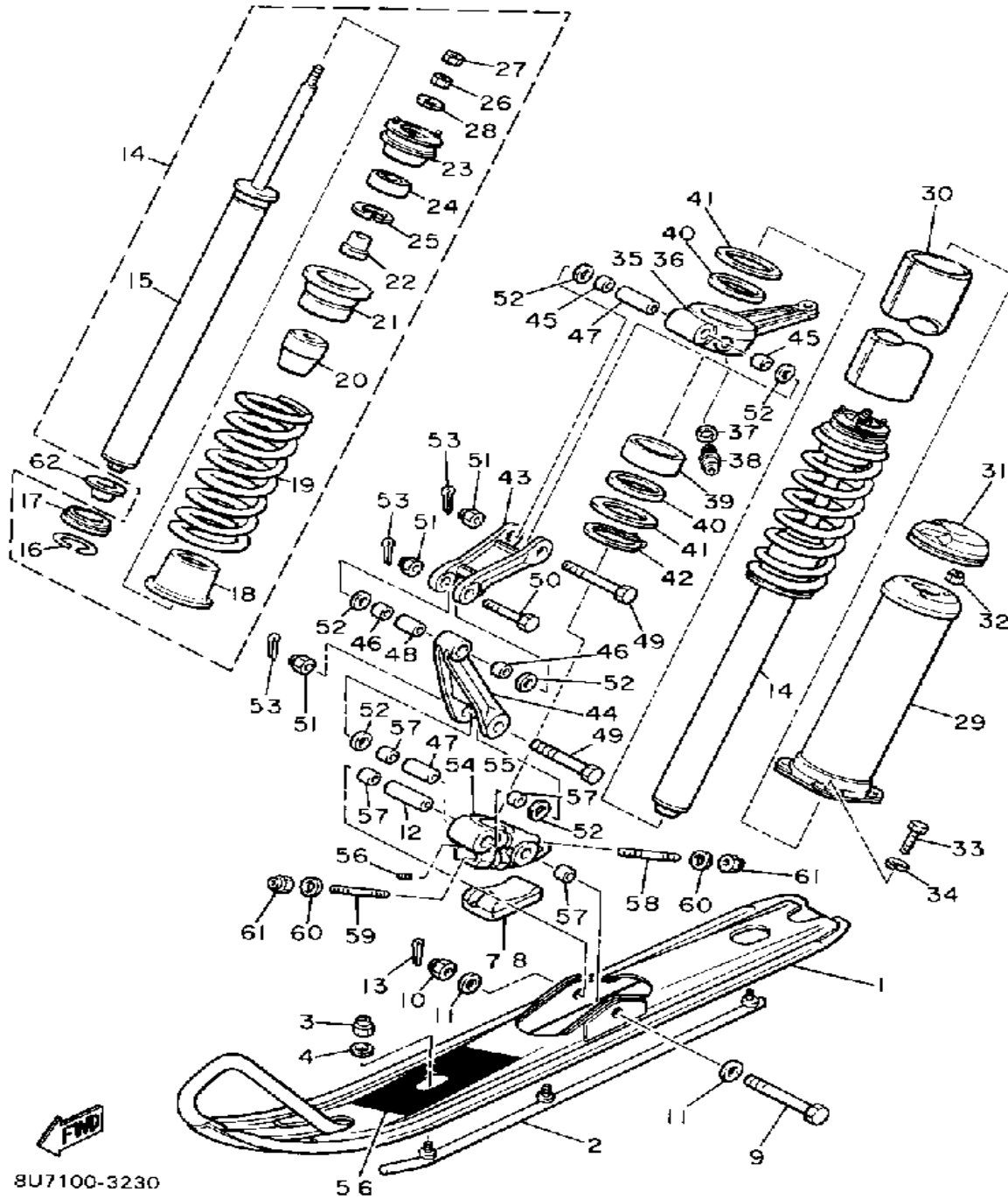


8R610C-2220

Not For Resale

www.SmallEngineDiscount.com

SKI



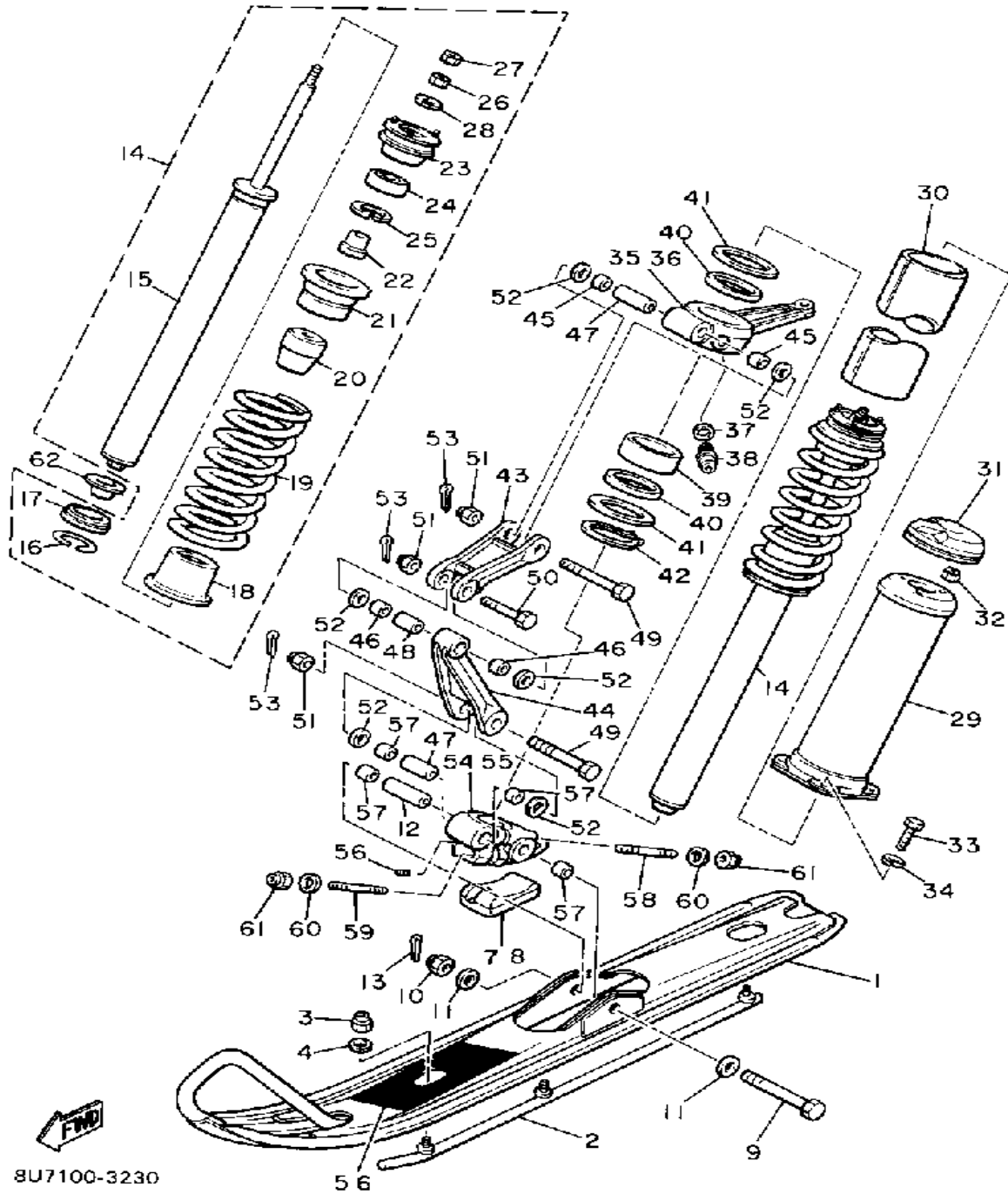
| Ref. No. | Part Number | Description | Qty | Remarks |
|----------|-------------------|------------------------|-----|---------|
| 1 | 8L0-23710-00-00 | SKI 1 | 2 | |
| 2 | 888-23731-01-XX | SKI RUNNER, 1 | 2 | |
| 3 | 95611-08100-00 | NUT, U | 6 | |
| 4 | 92901-08600-00 | WASHER | 6 | |
| 5 | 8U7-77365-00-00 | EMBLEM 0 | 1 | |
| 6 | 8U7-77366-00-00 | EMBLEM 1 | 1 | |
| 7 | 8L0-23743-01-00 | STOPPER 1 | 1 | |
| 8 | 8L0-23744-01-00 | STOPPER 2 | 1 | |
| 9 | 90102-10040-00 | BOLT, WITH HOLE | 2 | |
| 10 | 95706-10300-00 | NUT, NYLON | 2 | |
| 11 | 92906-10600-00 | WASHER | 4 | |
| 12 | 90387-10090-00 | COLLAR | 2 | |
| 13 | 91490-20020-00 | PIN, COTTER | 2 | |
| 14 | 8L9-2376A-00-00 | ABSORBER ASSEMBLY 1 | 2 | |
| 15 | 8L9-22401-00-00 | . DAMPER SUB-ASSEMBLY. | 1 | |
| 16 | 93440-36087-00 | . . CIRCLIP, OUTER | 1 | |
| 17 | (8L9-23768-00-00) | SEAT, SPRING 1 | 1 | |
| 18 | 8L9-23777-00-00 | . SEAT, SPRING 2 | 1 | |
| 19 | 90501-75612-00 | . SPRING, COMPRESSION | 1 | |
| 20 | 8L0-22493-00-00 | . BUMP, STOP | 1 | |
| 21 | 8L0-23788-00-00 | . PLATE, BACK UP | 1 | |
| 22 | 90387-100A5-00 | . COLLAR | 1 | |
| 23 | 8L0-2376H-00-00 | . HOLDER, BEARING | 1 | |
| 24 | 93306-20226-00 | . BEARING | 1 | |
| 25 | 99009-35500-00 | . CIRCLIP | 1 | |
| 26 | 90170-08220-00 | . NUT | 1 | |
| 27 | 95333-08600-00 | . NUT | 1 | |
| 28 | 90201-08107-00 | . WASHER, PLATE | 1 | |
| 29 | 8L9-2376J-00-00 | HOLDER, ABSORBER | 2 | |

CONTINUED ON NEXT FRAME ➤

Not For Resale

www.SmallEngineDiscount.com

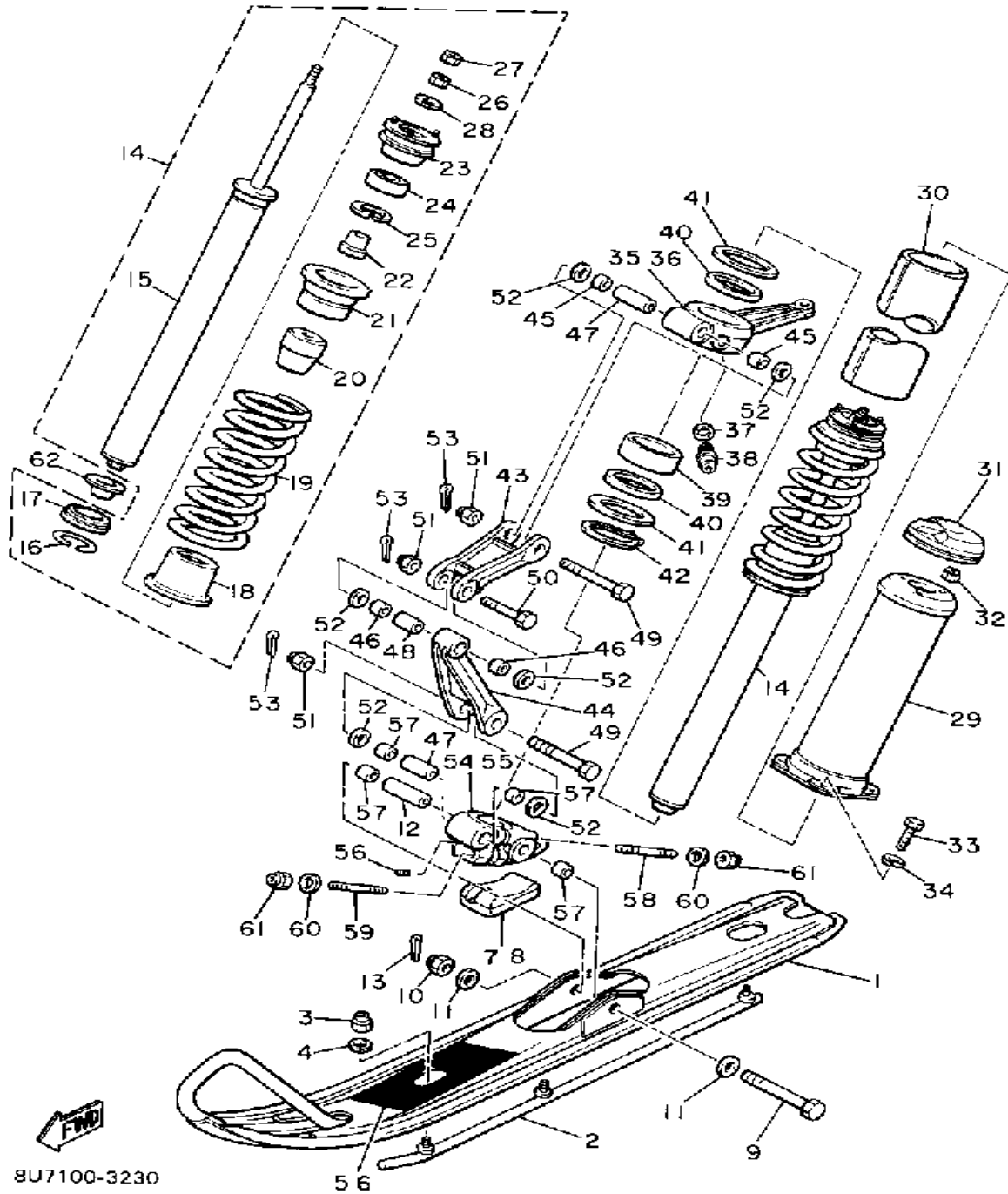
SKI



| Ref. No. | Part Number | Description | Qty | Remarks |
|----------|-----------------|----------------------------|-----|---------|
| 30 | 8L0-2376R-00-00 | PROTECTOR | 2 | |
| 31 | 8M6-77553-00-00 | PROTECTOR 3 | 2 | |
| 32 | 95601-06100-00 | NUT, U | 6 | |
| 33 | 97011-06020-00 | BOLT | 8 | |
| 34 | 92995-06100-00 | WASHER, SPRING | 8 | |
| 35 | 8U7-23851-00-00 | ARM, OUTSIDE 1 | 1 | |
| 36 | 8U7-23852-00-00 | ARM, OUTSIDE 2 | 1 | |
| 37 | 90201-067F9-00 | WASHER, PLATE | 2 | |
| 38 | 93700-06M03-00 | NIPPLE, GREASE | 2 | |
| 39 | 90384-53175-00 | BUSH, BIMETAL FORMED | 2 | |
| 40 | 93109-53036-00 | OIL SEAL | 4 | |
| 41 | 90201-536A1-00 | WASHER, PLATE (T=1.0) | 4 | |
| 42 | 93410-52061-00 | CIRCLIP | 2 | |
| 43 | 8L0-2382E-01-00 | ARM, FRONT 1 | 2 | |
| 44 | 8L0-2382F-00-00 | ARM, FRONT 2 | 2 | |
| 45 | 90384-14091-00 | BUSH, BIMETAL FORMED | 4 | |
| 46 | 90384-14096-00 | BUSH, BIMETAL FORMED | 4 | |
| 47 | 90387-101Y9-00 | COLLAR | 4 | |
| 48 | 90387-100A4-00 | COLLAR | 2 | |
| 49 | 90102-10039-00 | BOLT, WITH HOLE | 4 | |
| 50 | 90102-10038-00 | BOLT, WITH HOLE | 2 | |
| 51 | 95706-10300-00 | NUT, NYLON | 6 | |
| 52 | 90202-14037-00 | WASHER, PLATE | 12 | |
| 53 | 91490-20020-00 | PIN, COTTER | 6 | |
| 54 | 8L9-2376E-00-00 | BRACKET, 1 (L.H) | 1 | |
| 55 | 8L9-2377E-00-00 | BRACKET 2 (R.H) | 1 | |
| 56 | 90113-06039-00 | BOLT, SET | 2 | |
| 57 | 90384-14091-00 | BUSH, BIMETAL FORMED | 8 | |
| 58 | 90116-08323-00 | BOLT, STUD | 2 | |

CONTINUED ON NEXT FRAME ➤

SKI

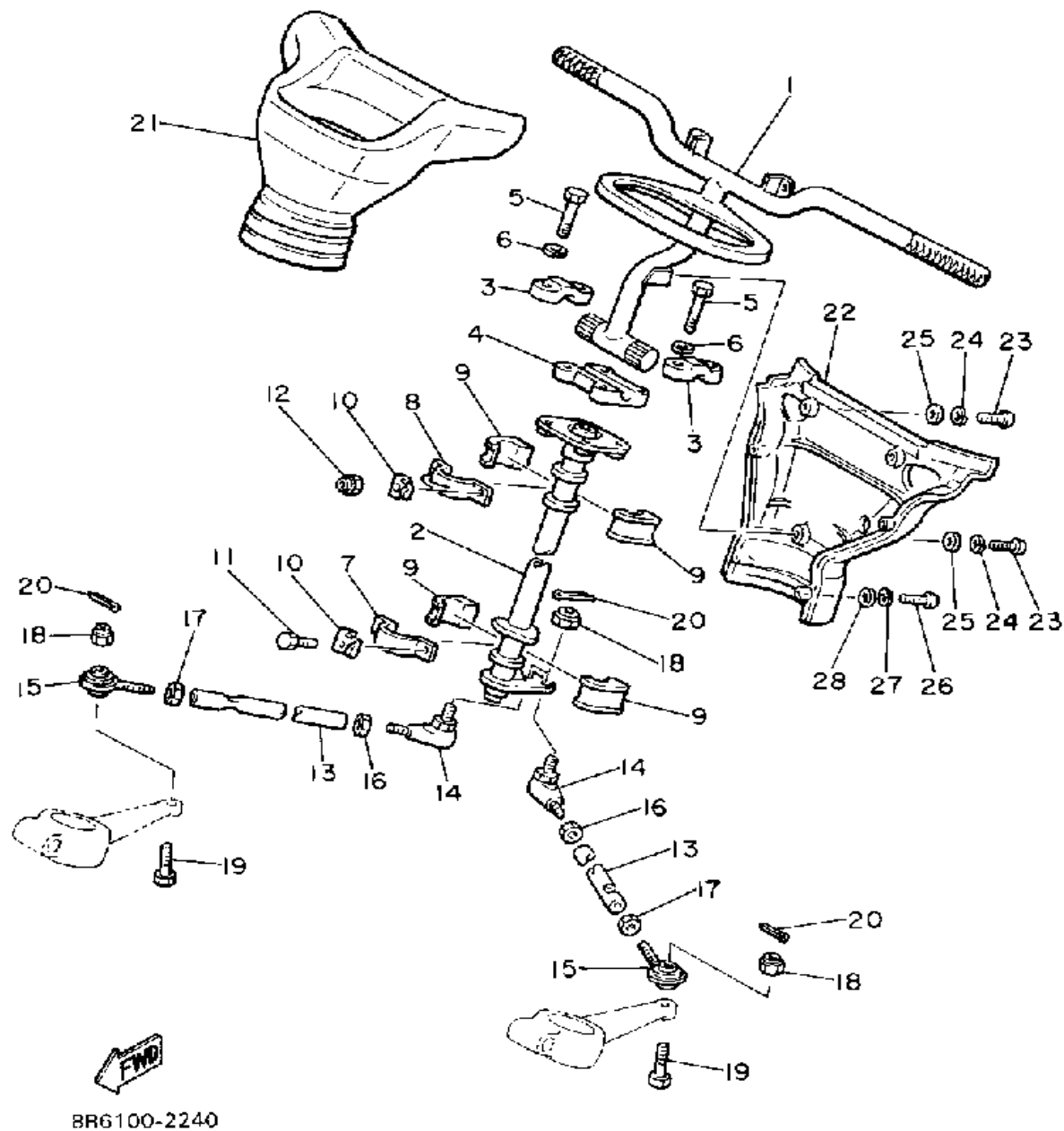


| Ref. No. | Part Number | Description | Qty | Remarks |
|----------|-----------------|------------------|-----|---------|
| 59 | 95611-08640-00 | BOLT, STUD | 2 | |
| 60 | 92901-08600-00 | WASHER | 4 | |
| 61 | 95712-08300-00 | NUT, LOCK | 4 | |
| 62 | 8L0-23741-00-00 | CAP 1 | 2 | |

8U7100-3230

Not For Resale
www.SmallEngineDiscount.com

STEERING

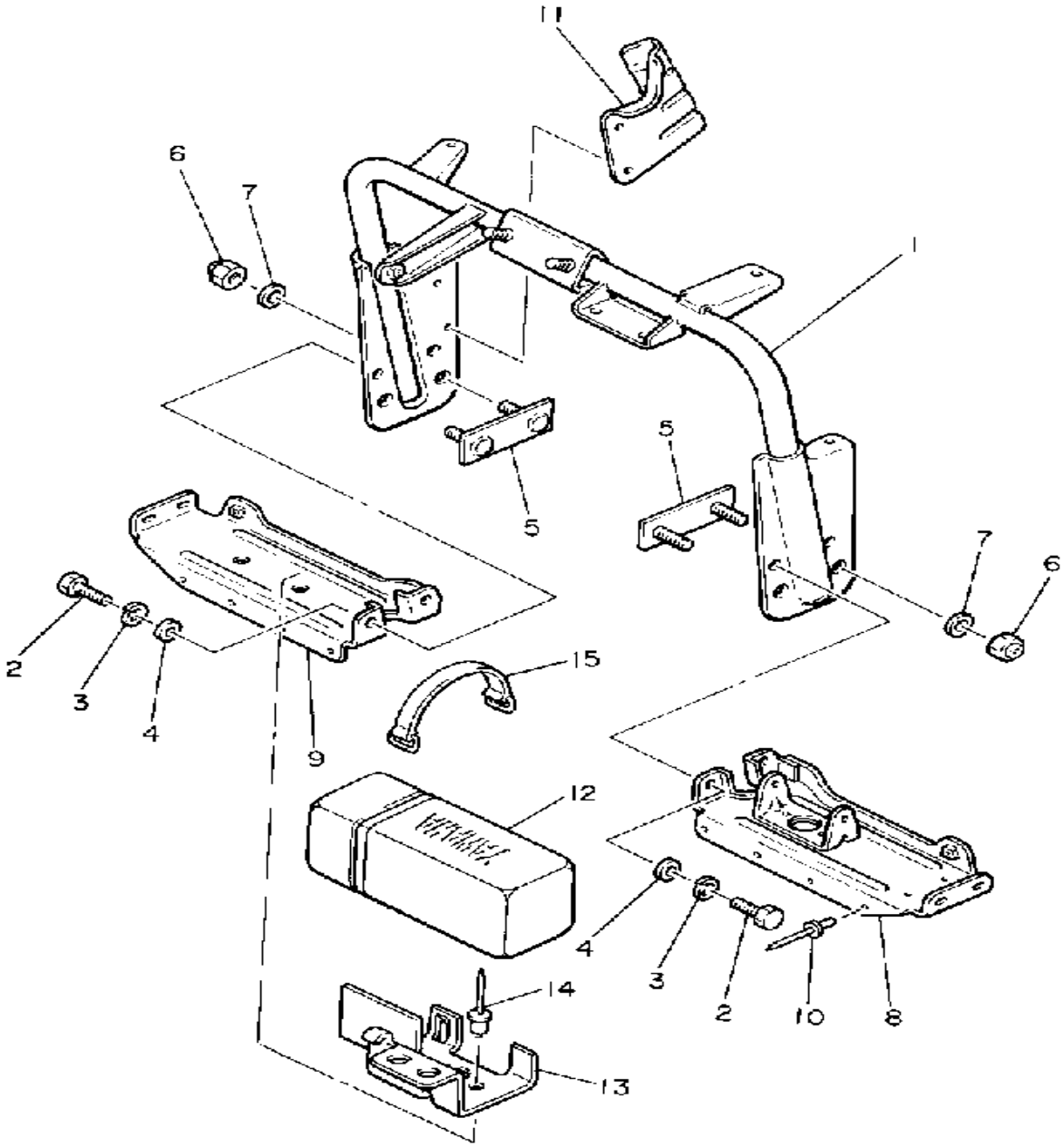


| Ref. No. | Part Number | Description | Qty | Remarks |
|----------|-----------------|------------------------------|-----|---------|
| 1 | 81R-23811-00-00 | COLUMN, STEERING | 1 | |
| 2 | 8L8-23813-00-00 | COLUMN, STEERING 2 | 1 | |
| 3 | 1E6-23441-00-00 | HOLDER, HANDLE UPR | 2 | |
| 4 | 164-23441-00-98 | HOLDER, HANDLE UPPER ... | 1 | |
| 5 | 97321-08055-00 | BOLT, HEXAGON | 4 | |
| 6 | 92902-08100-00 | WASHER, SPRING | 4 | |
| 7 | 84M-23868-00-00 | BRACKET, STEERING LOWER | 1 | |
| 8 | 84M-23872-00-00 | HOLDER, BEARING | 1 | |
| 9 | 8F3-23812-00-00 | PLANE BEARING, STEERING . | 4 | |
| 10 | 90215-08262-00 | WASHER, LOCK | 4 | |
| 11 | 97313-08016-00 | BOLT, HEXAGON | 2 | |
| 12 | 95712-08300-00 | NUT, LOCK | 2 | |
| 13 | 8L0-23821-00-00 | ROD, STEERING RELAY | 2 | |
| 14 | 86X-23841-00-00 | JOINT, UNIVERSAL 1 | 2 | |
| 15 | 87S-23847-00-00 | JOINT, UNIVERSAL 3 | 2 | |
| 16 | 95303-10700-00 | NUT | 2 | |
| 17 | 90170-10186-00 | NUT | 2 | |
| 18 | 95701-10300-00 | NUT, FLANGE (95702-10300) .. | 4 | |
| 19 | 90102-10031-00 | BOLT, WITH HOLE | 2 | |
| 20 | 91490-20020-00 | PIN, COTTER | 4 | |
| 21 | 8L8-23815-01-00 | PAD, STEERING | 1 | |
| 22 | 99999-01429-00 | PAD KIT (8L8-23817-01) | 1 | |
| 23 | 98586-05016-00 | SCREW, PAN HEAD | 3 | |
| 24 | 92906-05100-00 | WASHER, SPRING | 3 | |
| 25 | 90201-05721-00 | WASHER, PLATE | 3 | |
| 26 | 98506-04012-00 | SCREW, PAN HEAD | 4 | |
| 27 | 92906-04100-00 | WASHER, SPRING | 4 | |
| 28 | 92906-04600-00 | WASHER, PLATE | 4 | |

Not For Resale

www.SmallEngineDiscount.com

STEERING GATE



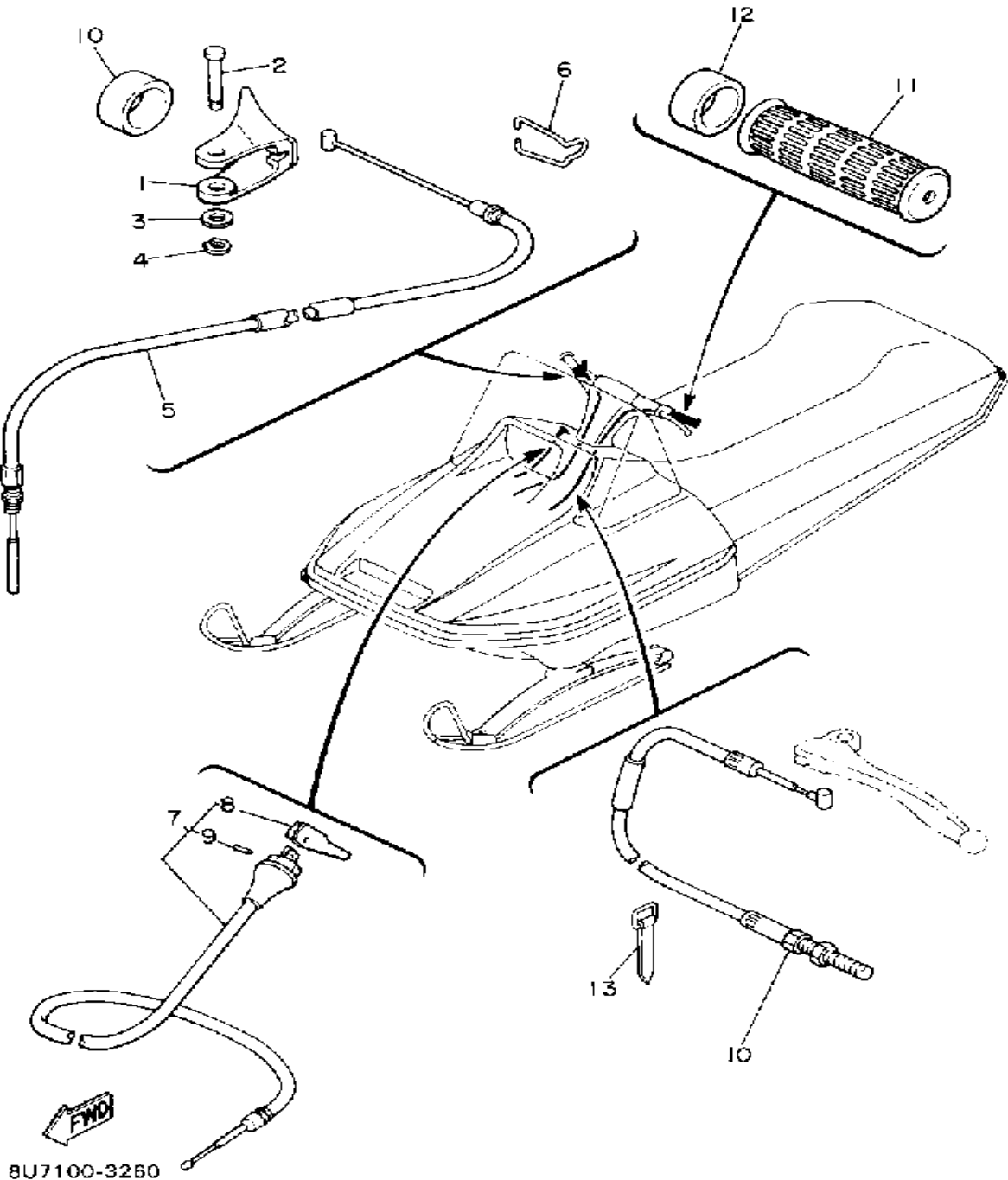
| Ref. No. | Part Number | Description | Qty | Remarks |
|----------|-------------------|--|-----|---------|
| 1 | 8K4-23871-00-00 | GATE, STEERING | 1 | |
| 2 | 97016-06016-00 | BOLT | 4 | |
| 3 | 92906-06100-00 | WASHER, SPRING | 4 | |
| 4 | 92906-06200-00 | WASHER | 4 | |
| 5 | (8K4-23878-00-00) | BRACKET 0 | 2 | |
| 6 | 95716-08300-00 | NUT, FLANGE | 4 | |
| 7 | 92906-08200-00 | WASHER | 4 | |
| 8 | 8L8-23883-00-00 | BRACKET 3 | 1 | |
| 9 | 8L8-23884-00-00 | BRACKET 4 | 1 | |
| 10 | 90267-48053-00 | RIVET, BLIND | 8 | |
| 11 | 8K4-23886-00-00 | BRACKET 6 | 1 | |
| 12 | 8U9-28100-00-00 | TOOL KIT (8V9-28100-00) | 1 | |
| 13 | 8U5-21945-00-00 | BRACKET, TL BX FTNG (8N8-21945-01) | 1 | |
| 14 | 90267-48079-00 | RIVET, BLIND | 2 | |
| 15 | 4J2-82131-01-00 | BAND, BATTERY | 1 | |



8U3100-3250

Not For Resale
www.SmallEngineDiscount.com

CONTROL - CABLE

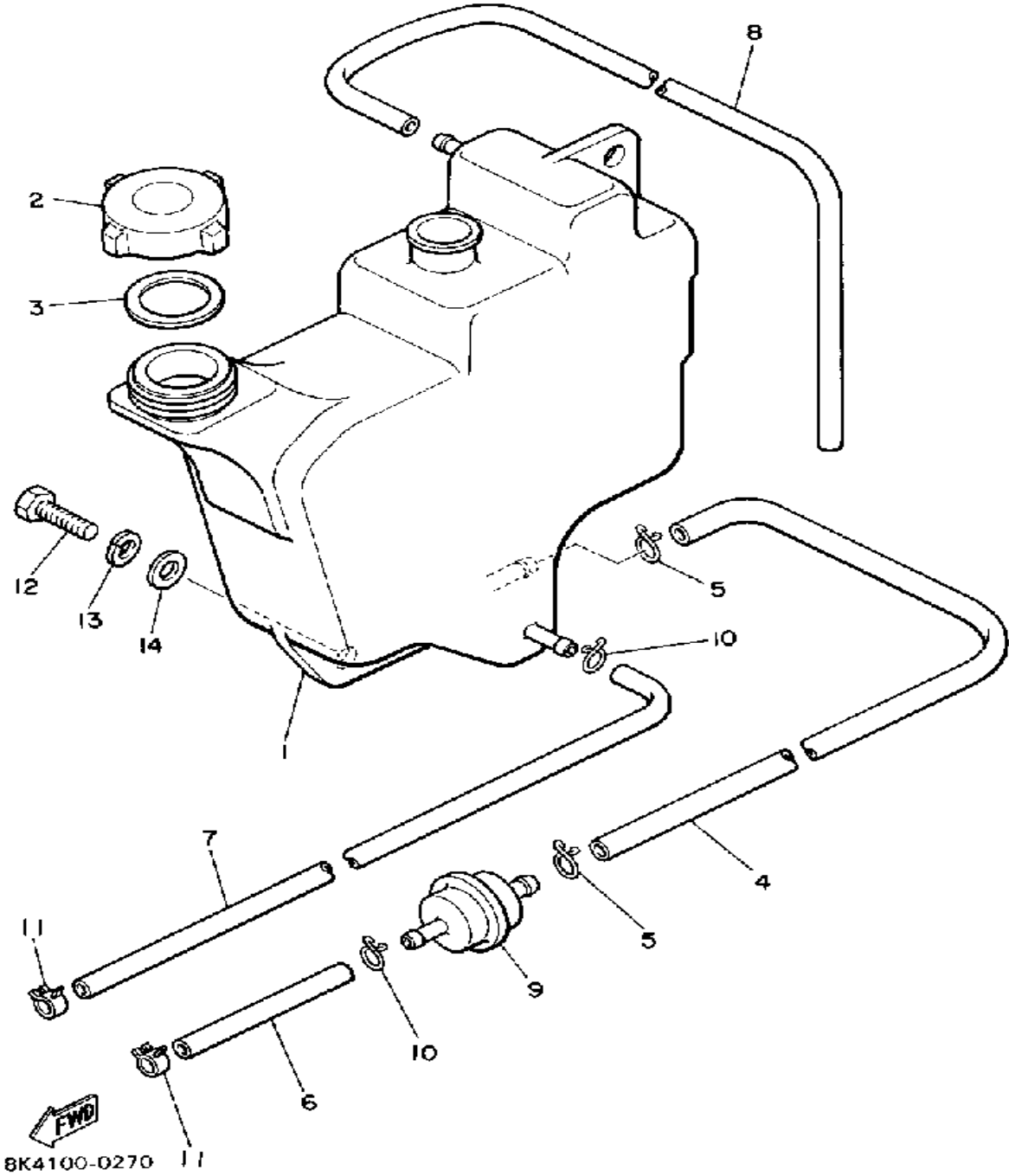


| Ref. No. | Part Number | Description | Qty | Remarks |
|----------|-----------------|-------------------------|-----|---------|
| 1 | 8K4-42138-00-00 | LEVER, THROTTLE | 1 | |
| 2 | 90249-06137-00 | PIN, SPEC"L SHAPE | 1 | |
| 3 | 92906-06200-00 | WASHER | 1 | |
| 4 | 93430-04002-00 | CIRCLIP | 1 | |
| 5 | 8R6-26311-00-00 | CABLE, THROTTLE 1 | 1 | |
| 6 | 90465-10150-00 | CLAMP | 1 | |
| 7 | 8L8-26331-00-00 | CABLE, STARTER 1 | 1 | |
| 8 | 8L2-26374-00-00 | . END, CABLE 3 | 1 | |
| 9 | 91609-30010-00 | . PIN, SPRING | 1 | |
| 10 | 8K4-26340-00-00 | CABLE, BRAKE | 1 | |
| 11 | 801-26241-01-00 | GRIP | 2 | |
| 12 | 90387-22726-00 | COLLAR | 2 | |
| 13 | 341-26397-01-00 | BAND | 1 | |

Not For Resale

www.SmallEngineDiscount.com

OIL TANK

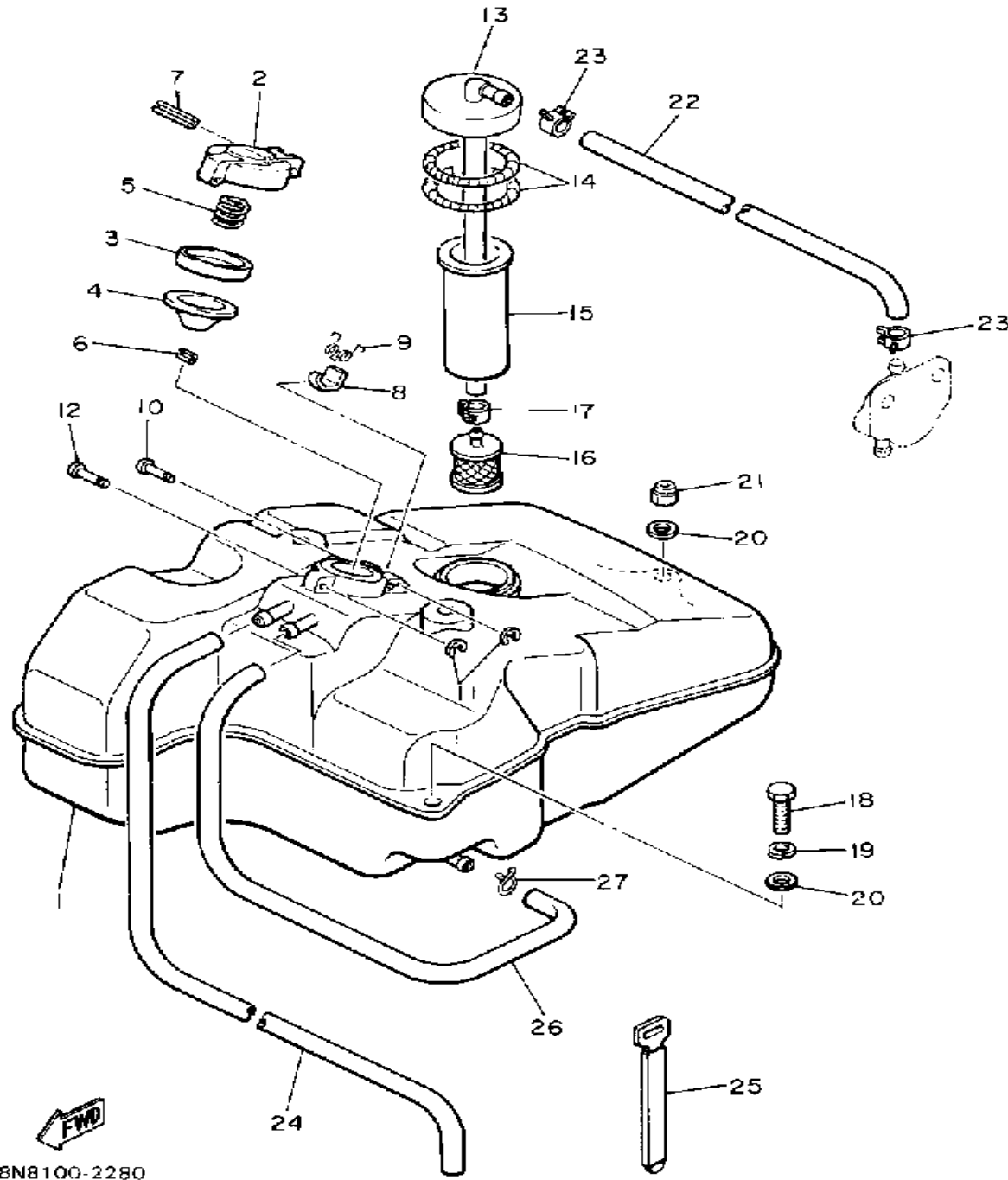


| Ref. No. | Part Number | Description | Qty | Remarks |
|----------|-----------------|---------------------------|-----|---------|
| 1 | 86U-21751-00-00 | TANK, OIL (8L8-21751-00) | 1 | |
| 2 | 863-21771-00-00 | BODY, CAP | 1 | |
| 3 | 90430-31003-00 | GASKET | 1 | |
| 4 | 90446-11157-00 | HOSE | 1 | |
| 5 | 90467-11009-00 | CLIP | 2 | |
| 6 | 90446-09011-00 | HOSE | 1 | |
| 7 | 91A20-05036-00 | TUBE, FLEXIBLE | 1 | |
| 8 | 90446-09013-00 | HOSE (90446-09079) | 1 | |
| 9 | 8G8-13410-00-00 | STRAINER HOUSING ASSEMBLY | 1 | |
| 10 | 90467-09005-00 | CLIP, SCISSOR | 2 | |
| 11 | 90467-09026-00 | CLIP | 2 | |
| 12 | 97023-06020-00 | BOLT (3XF) | 2 | |
| 13 | 92995-06100-00 | WASHER, SPRING | 2 | |
| 14 | 90201-06067-00 | WASHER, PLATE | 2 | |

Not For Resale

www.SmallEngineDiscount.com

FUEL TANK



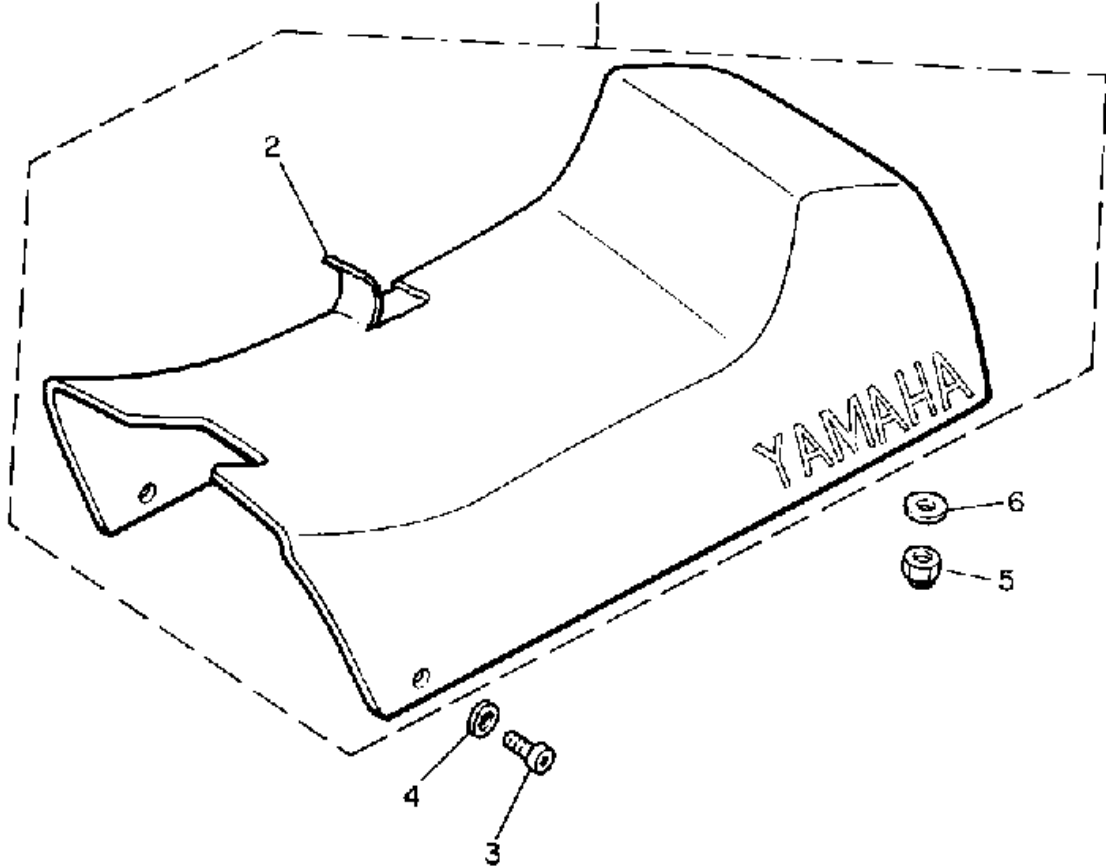
BN8100-2280

| Ref. No. | Part Number | Description | Qty | Remarks |
|----------|-----------------|------------------------------|-----|---------|
| 1 | 86P-24111-01-00 | FUEL TANK (8K4-24111-01) ... | 1 | |
| 2 | 813-24611-01-00 | BODY, CAP | 1 | |
| 3 | 813-24613-01-00 | DISC, CAP | 1 | |
| 4 | 8F7-24641-00-00 | GASKET, CAP 1 | 1 | |
| 5 | 90501-20130-00 | SPRING, COMPRESSION | 1 | |
| 6 | 91609-30016-00 | PIN, SPRING | 1 | |
| 7 | 91609-25032-00 | PIN, SPRING | 1 | |
| 8 | 83M-24628-00-00 | HOOK | 1 | |
| 9 | 90508-10715-00 | SPRING, TORSION | 1 | |
| 10 | 90249-03017-00 | PIN | 1 | |
| 11 | 93430-02001-00 | CIRCLIP | 2 | |
| 12 | 90249-03016-00 | PIN, SPEC'L SHAPE | 1 | |
| 13 | 83R-24335-00-00 | PIPE, SUCTION 1 | 1 | |
| 14 | 90506-06065-00 | SPRING, TENSION | 2 | |
| 15 | 8K4-24336-00-00 | PIPE, SUCTION 2 | 1 | |
| 16 | 8H5-24560-00-00 | FILTER ASSEMBLY | 1 | |
| 17 | 90467-11028-00 | CLIP | 1 | |
| 18 | 97001-08025-00 | BOLT (1NV) | 2 | |
| 19 | 92990-08100-00 | WASHER | 2 | |
| 20 | 90201-087A9-00 | WASHER, PLATE | 3 | |
| 21 | 95712-08300-00 | NUT, LOCK | 1 | |
| 22 | 91A20-07070-00 | HOSE | 1 | |
| 23 | 90467-11028-00 | CLIP | 2 | |
| 24 | 90446-09155-00 | HOSE | 1 | |
| 25 | 341-26397-01-00 | BAND | 2 | |
| 26 | 90446-09013-00 | HOSE (90446-09079) | 1 | |
| 27 | 90467-09005-00 | CLIP, SCISSOR | 1 | |

Not For Resale

www.SmallEngineDiscount.com

SEAT

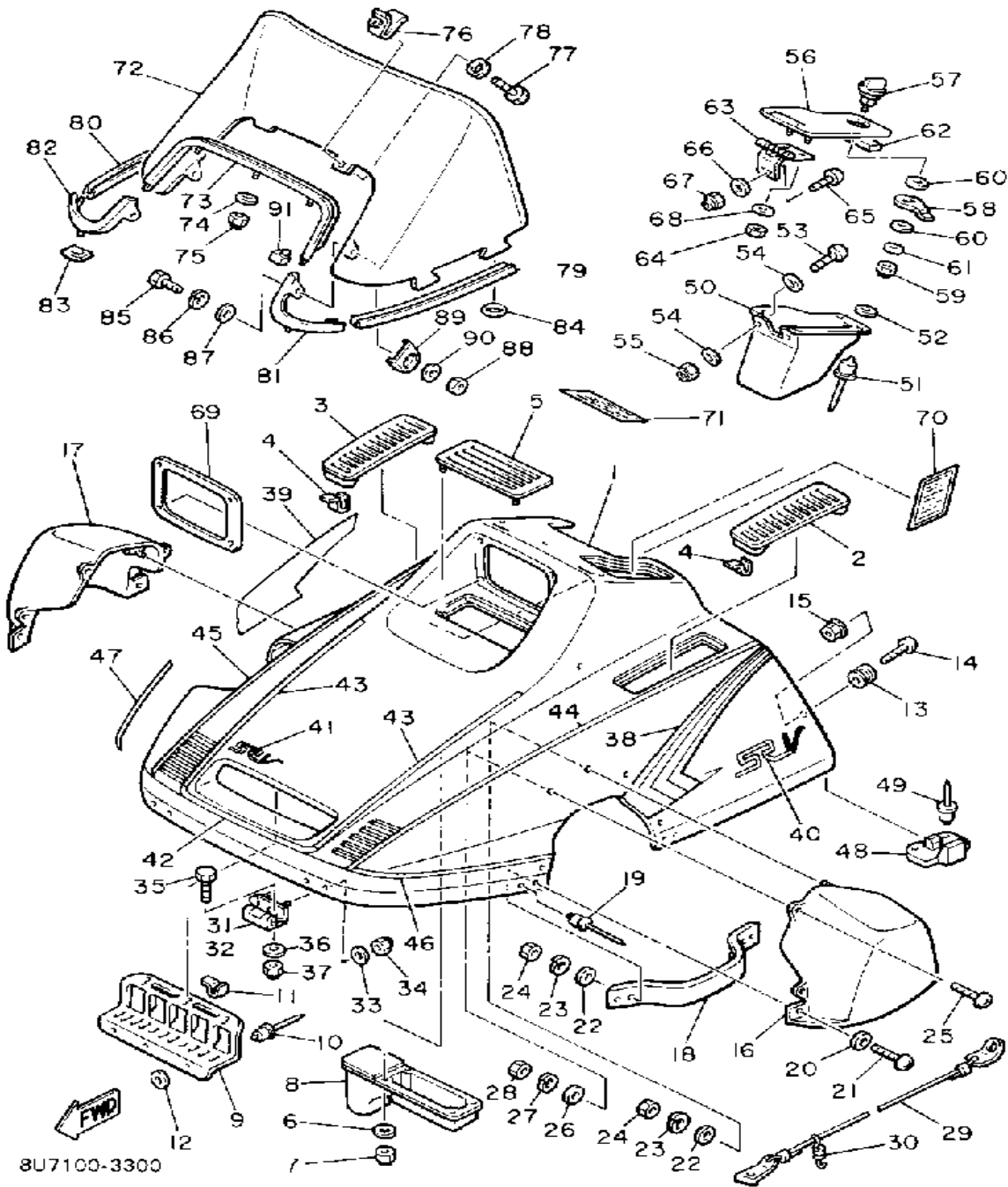


| Ref. No. | Part Number | Description | Qty | Remarks |
|----------|-----------------|----------------------|-----|---------|
| 1 | 8U7-24710-00-00 | SINGLE SEAT ASSEMBLY | 1 | |
| 2 | 8U7-24711-00-00 | . COVER, SINGLE SEAT | 1 | |
| 3 | 90154-06003-00 | SCREW, BINDING | 2 | |
| 4 | 90201-063J2-00 | WASHER, PLATE | 2 | |
| 5 | 95712-08300-00 | NUT, LOCK | 2 | |
| 6 | 90201-08748-00 | WASHER, PLATE | 2 | |


8U7100-3290

Not For Resale
www.SmallEngineDiscount.com

SHROUD - WINDSHIELD

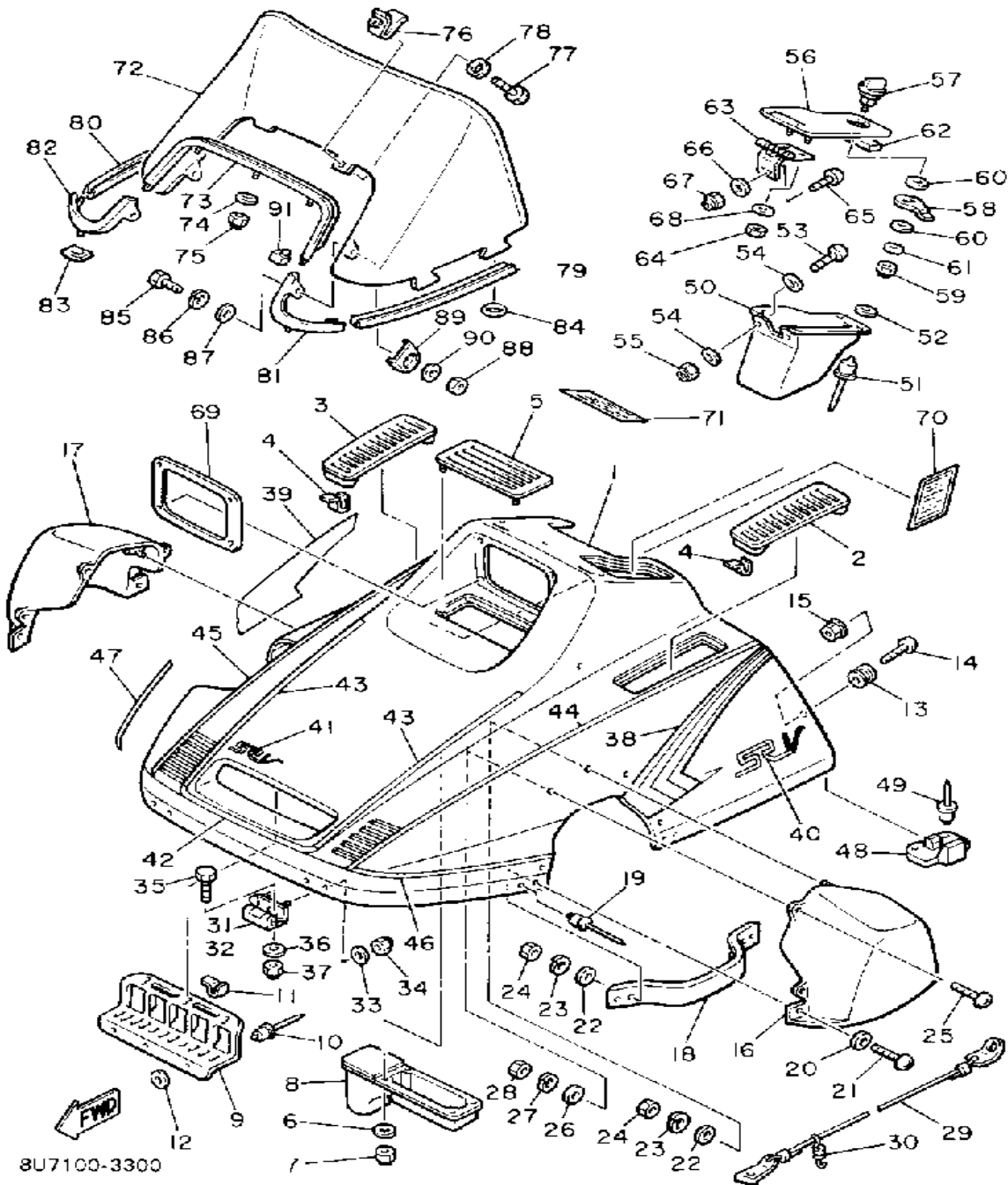


| Ref. No. | Part Number | Description | Qty | Remarks |
|----------|-----------------|-------------------------|-----|---------|
| 1 | 8U7-W7711-02-00 | SHROUD ASSEMBLY | 1 | |
| 2 | 8L9-77133-00-00 | LOUVER 3 | 1 | |
| 3 | 8L9-77134-00-00 | LOUVER 4 | 1 | |
| 4 | 90468-05094-00 | CLIP | 4 | |
| 5 | 8L9-77109-00-00 | LOUVER 5 (83W-77109-00) | 1 | |
| 6 | 90201-05029-00 | WASHER, PLATE | 4 | |
| 7 | 95701-05300-00 | NUT, NYLON | 4 | |
| 8 | 8K4-7712E-00-00 | INSULATOR | 1 | |
| 9 | 8K4-77194-00-00 | DUCT | 1 | |
| 10 | 90267-48053-00 | RIVET, BLIND | 3 | |
| 11 | 90468-05176-00 | CLIP | 3 | |
| 12 | 90201-04325-00 | WASHER, PLATE | 3 | |
| 13 | 8M6-77175-00-00 | HOLDER, LATCH | 2 | |
| 14 | 98906-06030-00 | SCREW, BIND | 2 | |
| 15 | 95701-06500-00 | NUT, FLANGE | 2 | |
| 16 | 8L0-77121-00-00 | HOOD 1 | 1 | |
| 17 | 8L0-77122-00-00 | HOOD 2 | 1 | |
| 18 | 8L0-77125-00-00 | STAY 1 | 2 | |
| 19 | 90267-48014-00 | RIVET, BLIND | 4 | |
| 20 | 90201-05721-00 | WASHER, PLATE | 4 | |
| 21 | 90154-05005-00 | SCREW, BINDING | 4 | |
| 22 | 90201-05029-00 | WASHER, PLATE | 4 | |
| 23 | 92990-05100-00 | WASHER, SPRING | 4 | |
| 24 | 95380-05600-00 | NUT | 4 | |
| 25 | 98906-06016-00 | SCREW, BIND | 8 | |
| 26 | 90201-06M08-00 | WASHER, PLATE | 8 | |
| 27 | 92995-06100-00 | WASHER, SPRING | 8 | |
| 28 | 95380-06600-00 | NUT | 8 | |
| 29 | 8K4-77118-00-00 | STOPPER, SHROUD | 1 | |

CONTINUED ON NEXT FRAME ➤

Not For Resale
www.SmallEngineDiscount.com

SHROUD - WINDSHIELD

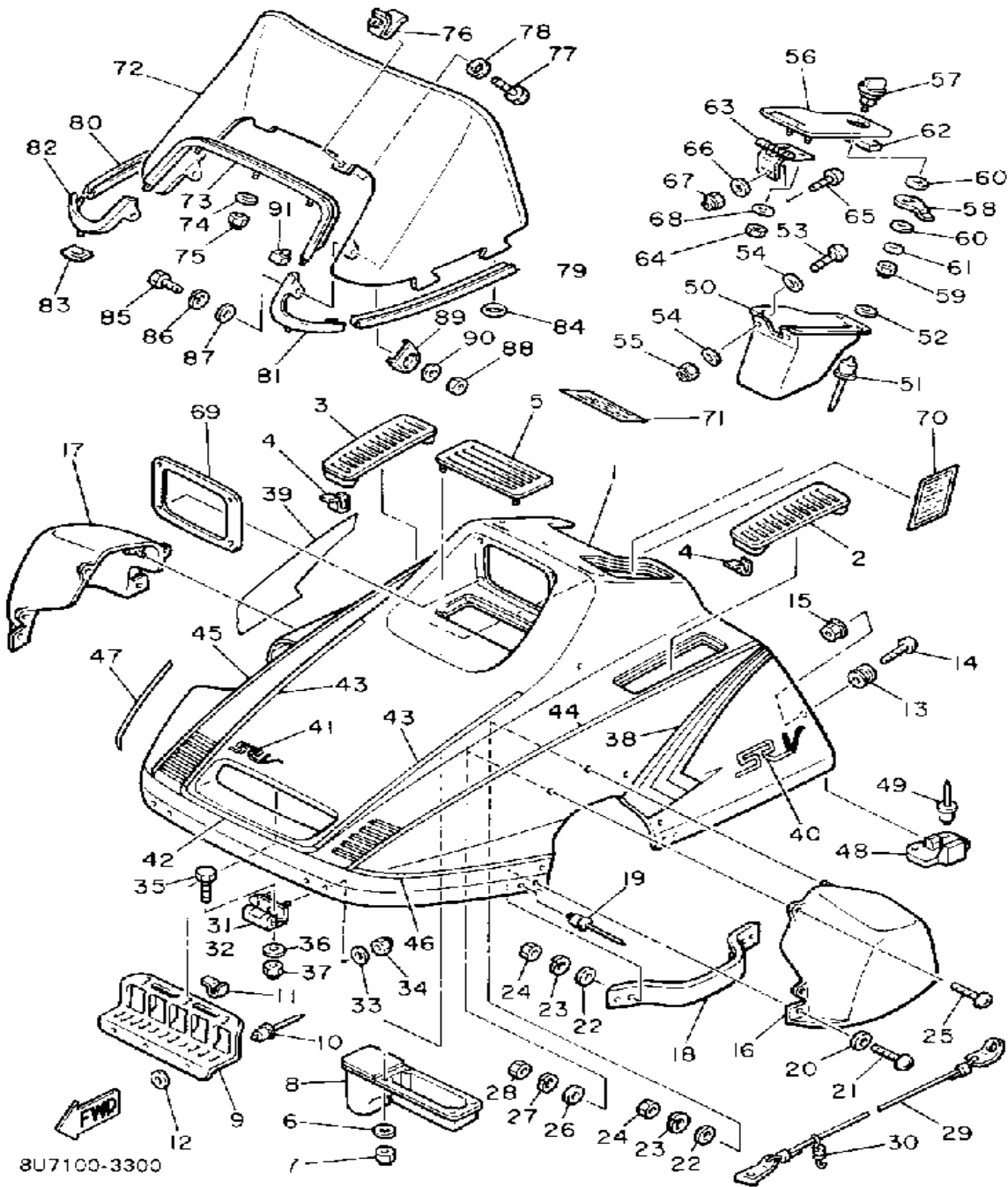


| Ref. No. | Part Number | Description | Qty | Remarks |
|----------|-------------------|--------------------|-----|---------|
| 30 | 838-77159-00-00 | CLAMP, ROD | 1 | |
| 31 | 8L8-77140-00-00 | HINGE ASSEMBLY | 1 | |
| 32 | 8L8-7714A-00-00 | HINGE ASSEMBLY 2 | 1 | |
| 33 | 90201-067A6-00 | WASHER, PLATE | 4 | |
| 34 | 95701-06300-00 | NUT, NYLON | 4 | |
| 35 | 97026-06014-00 | BOLT | 2 | |
| 36 | 90201-062A8-00 | WASHER, PLATE | 2 | |
| 37 | 95706-06300-00 | NUT, NYLON | 2 | |
| 38 | (8U7-77163-00-00) | ORNAMENT 1 | 1 | |
| 39 | 8U7-77164-00-00 | ORNAMENT 2 | 1 | |
| 40 | 8U7-77355-00-00 | EMBLEM 5 | 2 | |
| 41 | (8U7-77356-00-00) | EMBLEM 6 | 1 | |
| 42 | 8U7-77281-00-00 | STRIPE 1 | 1 | |
| 43 | (8U7-77282-00-00) | STRIPE 2 | 2 | |
| 44 | 8U7-77283-00-00 | STRIPE 3 | 1 | |
| 45 | 8U7-77284-00-00 | STRIPE 4 | 1 | |
| 46 | 8U7-77285-00-00 | STRIPE 5 | 1 | |
| 47 | 8U7-77286-00-00 | STRIPE 6 | 1 | |
| 48 | 8K4-77188-00-00 | STOPPER | 2 | |
| 49 | 90267-48086-00 | RIVET, BLIND | 4 | |
| 50 | 8K4-77391-00-00 | LUGGAGE BOX | 1 | |
| 51 | 90267-48078-00 | RIVET, BLIND | 2 | |
| 52 | 90201-04325-00 | WASHER, PLATE | 2 | |
| 53 | 98516-06020-00 | SCREW, PAN HEAD | 2 | |
| 54 | 90201-06059-00 | WASHER, PLATE | 4 | |
| 55 | 95701-06300-00 | NUT, NYLON | 2 | |
| 56 | 8L9-77392-00-00 | COVER, LUGGAGE BOX | 1 | |
| 57 | 8L9-77324-00-00 | KNOB | 1 | |
| 58 | 8K4-77328-00-00 | LEVER, arm fitting | 1 | |

CONTINUED ON NEXT FRAME ➤

Not For Resale
www.SmallEngineDiscount.com

SHROUD - WINDSHIELD

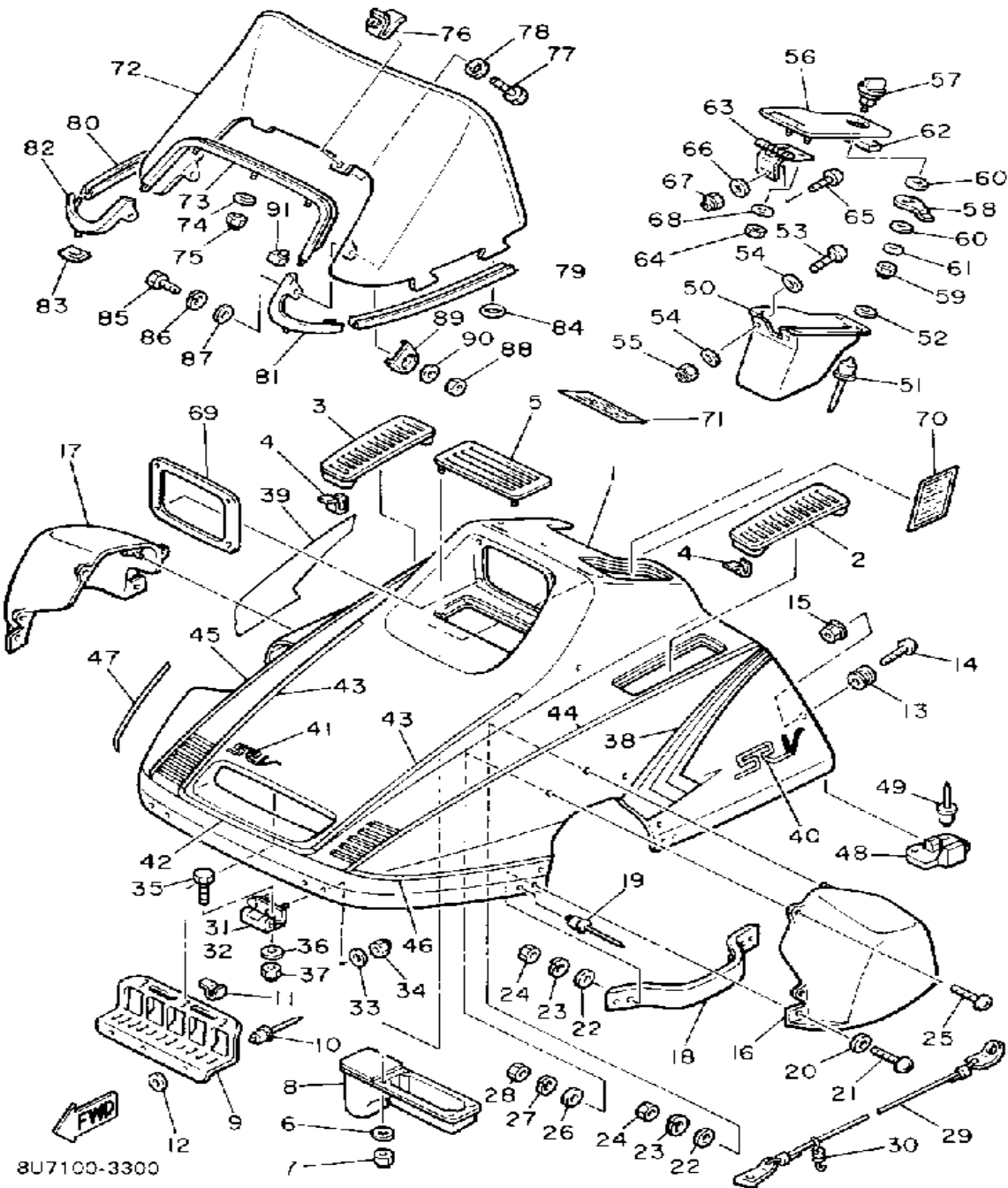


| Ref. No. | Part Number | Description | Qty | Remarks |
|----------|-----------------|---------------------------|-----|---------|
| 59 | 95706-05300-00 | NUT, nylon | 1 | |
| 60 | 90201-10119-00 | WASHER, PLATE | 2 | |
| 61 | 90201-05725-00 | WASHER, PLATE | 1 | |
| 62 | 8K4-77374-00-00 | DAMPER 2 | 1 | |
| 63 | 8K4-77470-00-00 | HINGE ASSEMBLY | 1 | |
| 64 | 95306-05800-00 | NUT (CROWN) | 2 | |
| 65 | 98586-05016-00 | SCREW, PAN HEAD | 2 | |
| 66 | 90201-05029-00 | WASHER, PLATE | 2 | |
| 67 | 95701-05300-00 | NUT, NYLON | 2 | |
| 68 | 92906-05200-00 | WASHER, PLAIN | 2 | |
| 69 | 8K4-77165-00-00 | TRIM 1 | 1 | |
| 70 | 8U7-77743-00-00 | INDICATOR 3 | 1 | |
| 71 | 8U7-77761-00-00 | LABEL, warning 1 | 1 | |
| 72 | 8L0-77210-00-XX | WINDSHIELD (8L0-77210-00) | 1 | |
| 73 | 8L0-77214-00-00 | TRIM, lower | 1 | |
| 74 | 92901-05600-00 | WASHER, PLATE | 3 | |
| 75 | 95701-05300-00 | NUT, NYLON | 3 | |
| 76 | 8K4-77222-00-00 | BRACKET, WNDSHLD R | 1 | |
| 77 | 97011-06010-00 | BOLT | 1 | |
| 78 | 92995-06100-00 | WASHER, SPRING | 1 | |
| 79 | 8L0-77215-00-00 | TRIM 3 | 1 | |
| 80 | 8L0-77216-00-00 | TRIM 4 | 1 | |
| 81 | 8L0-77225-00-00 | TRIM 5 | 1 | |
| 82 | 8L0-77226-00-00 | TRIM 6 | 1 | |
| 83 | 90183-05019-00 | NUT, SPRING | 2 | |
| 84 | 82H-77223-00-00 | FASTNER | 4 | |
| 85 | 97313-05016-00 | BOLT, HEXAGON | 2 | |
| 86 | 92990-05100-00 | WASHER, SPRING | 2 | |
| 87 | 90201-05033-00 | WASHER, PLATE | 1 | |

CONTINUED ON NEXT FRAME ➤

Not For Resale
www.SmallEngineDiscount.com

SHROUD - WINDSHIELD

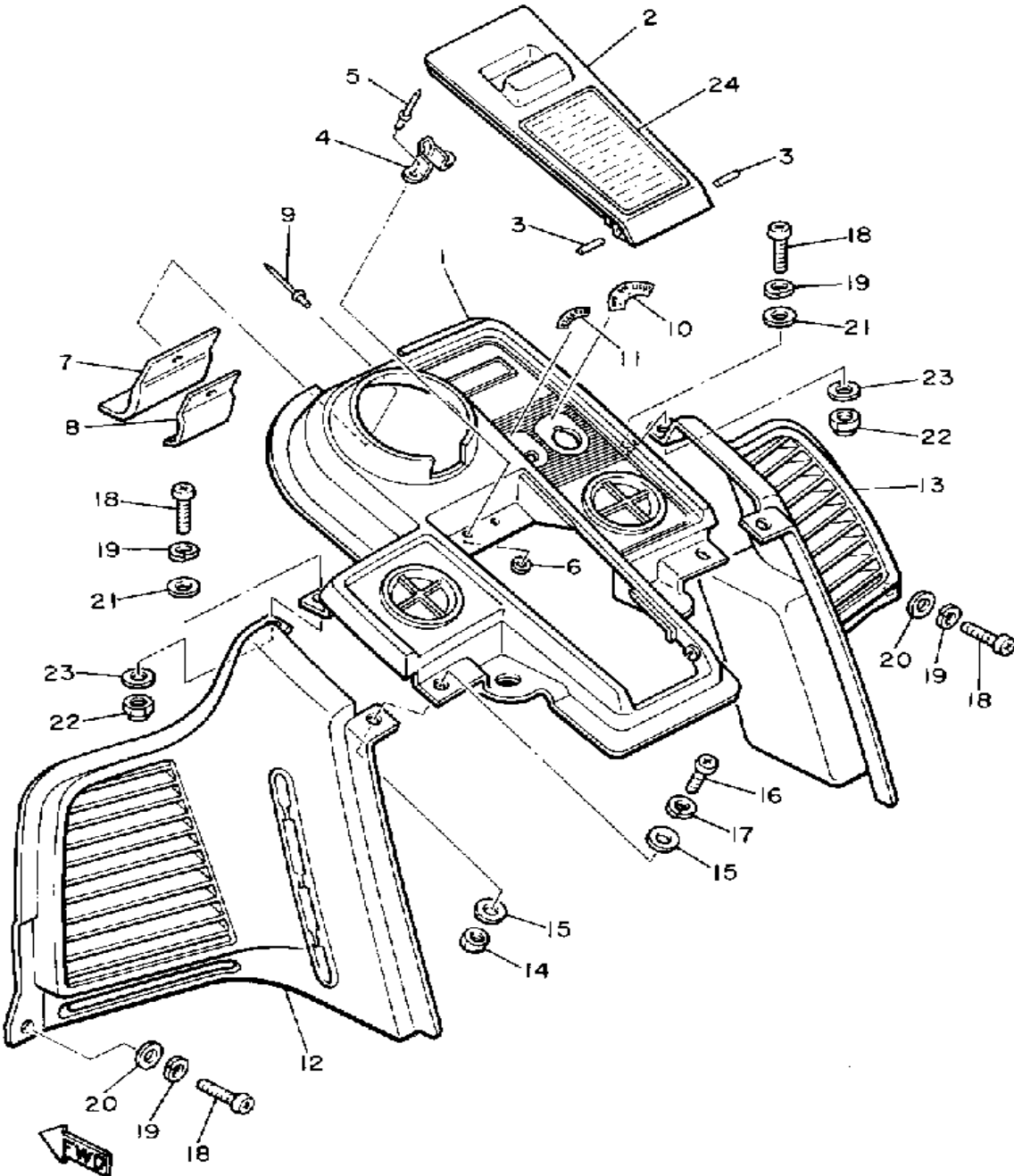


| Ref. No. | Part Number | Description | Qty | Remarks |
|----------|-------------------|-----------------|-----|--------------|
| 88 | 95306-05800-00 | NUT (CROWN) | 2 | |
| 89 | 8L9-77116-00-00 | WASHER, special | 2 | |
| 90 | 90201-06643-00 | WASHER, PLATE | 2 | |
| 91 | (8U7-W0070-00-00) | GRAPHIC SET | 1 | OPTIONAL KIT |
| | 8L0-77136-00-00 | CLAMP 2 | 2 | |

Not For Resale

www.SmallEngineDiscount.com

INSTRUMENT PANEL



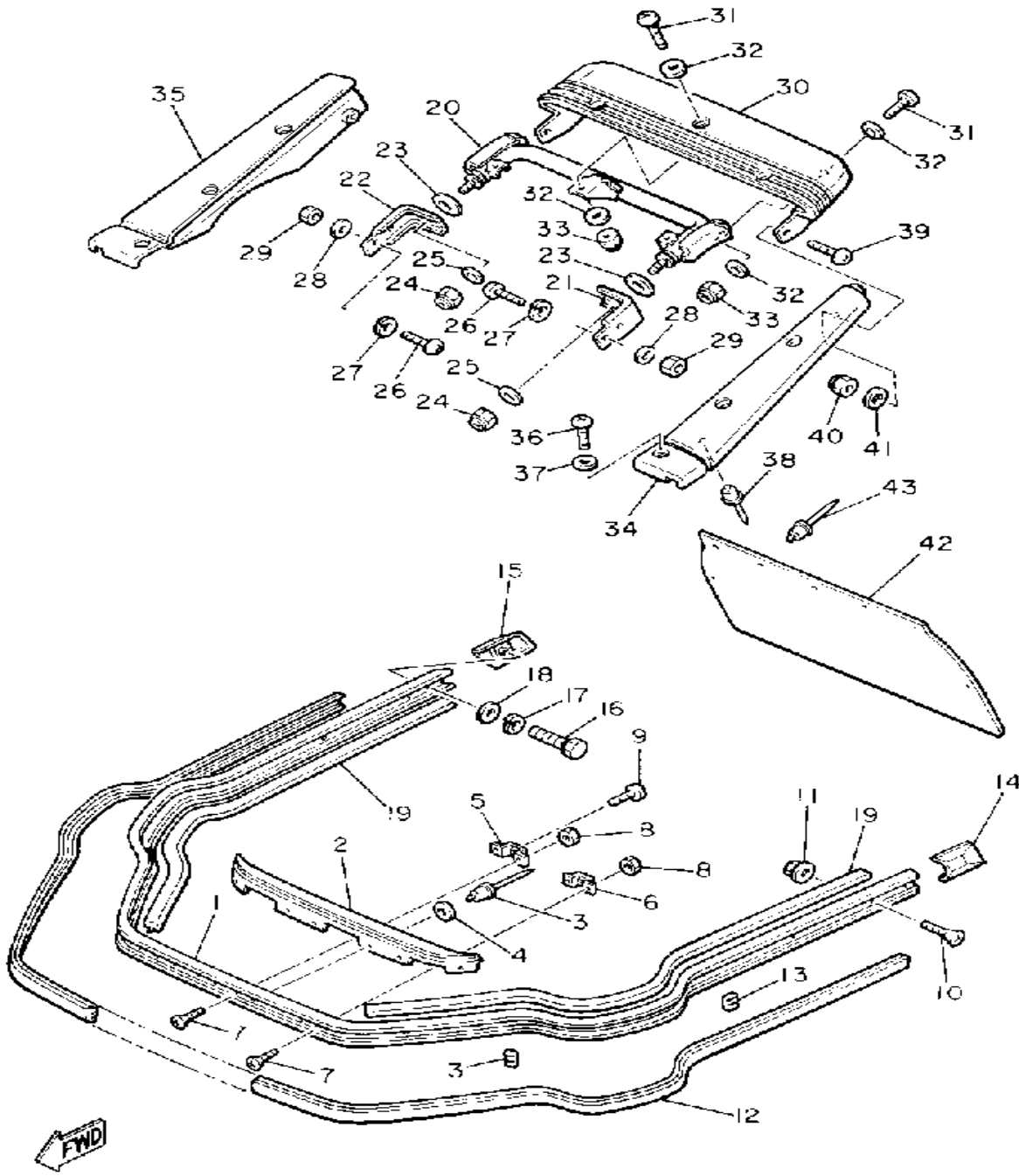
8R6100-23*0

| Ref. No. | Part Number | Description | Qty | Remarks |
|----------|-------------------|-------------------|-----|---------|
| 1 | 8L8-77711-01-00 | PANEL INSTRUMENT | 1 | |
| 2 | 8K4-77712-00-00 | PANEL, INSTRUMENT | 1 | |
| 3 | 8K4-77477-00-00 | PIN, HINGE | 2 | |
| 4 | 821-24794-01-00 | SPRING, SEAT BACK | 1 | |
| 5 | 90267-32072-00 | RIVET, BLIND | 2 | |
| 6 | 90201-03313-00 | WASHER, PLATE | 2 | |
| 7 | 8K4-77161-00-00 | STRIP, WEATHER 1 | 1 | |
| 8 | 8K4-77185-00-00 | PLATE 1 | 1 | |
| 9 | 90267-48014-00 | RIVET, BLIND | 1 | |
| 10 | 8K2-77741-00-00 | INDICATOR 1 | 1 | |
| 11 | 8K4-77742-00-00 | INDICATOR 2 | 1 | |
| 12 | 8K4-77131-00-00 | LOUVER 1 | 1 | |
| 13 | 8K4-77132-00-00 | LOUVER 2 | 1 | |
| 14 | 95380-06600-00 | NUT | 2 | |
| 15 | 90201-06059-00 | WASHER, PLATE | 4 | |
| 16 | 98506-06016-00 | SCREW, PANHEAD | 2 | |
| 17 | 92906-06100-00 | WASHER, SPRING | 2 | |
| 18 | 98516-06020-00 | SCREW, PAN HEAD | 4 | |
| 19 | 92906-06100-00 | WASHER, SPRING | 4 | |
| 20 | 90201-060A3-00 | WASHER, PLATE | 2 | |
| 21 | 92901-06600-00 | WASHER | 2 | |
| 22 | 95601-06100-00 | NUT, U | 2 | |
| 23 | 90201-06643-00 | WASHER, PLATE | 2 | |
| 24 | (8U7-77357-00-00) | EMBLEM 7 | 1 | |

Not For Resale

www.SmallEngineDiscount.com

BUMPER



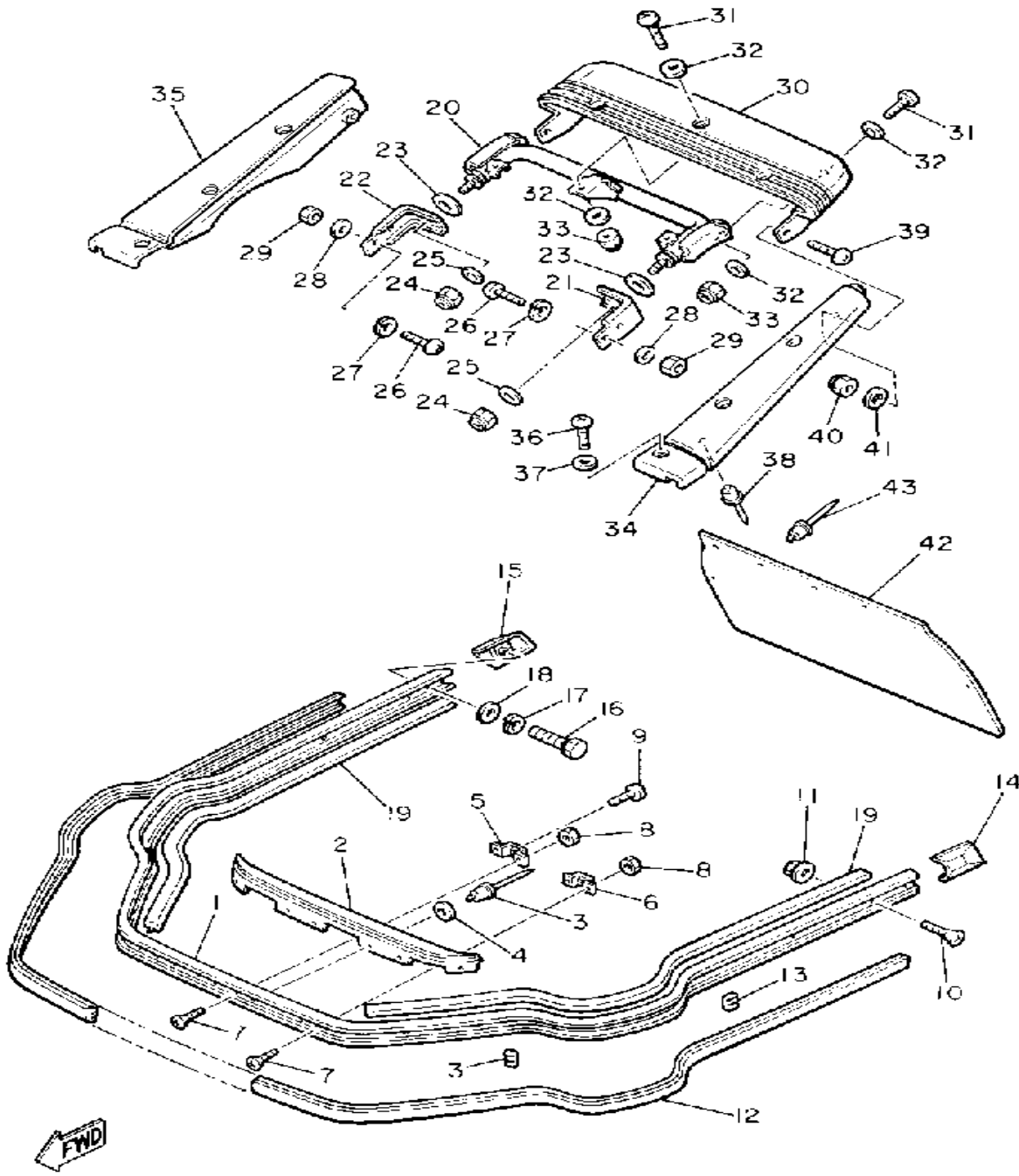
8U7100-3320

| Ref. No. | Part Number | Description | Qty | Remarks |
|----------|-----------------|--------------------------------|-----|---------|
| 1 | 8R6-77511-00-00 | BUMPER, FRONT 1 | 1 | |
| 2 | 8R6-77512-00-00 | BUMPER, FRONT 2 | 1 | |
| 3 | 90267-48079-00 | RIVET, BLIND | 6 | |
| 4 | 90201-04325-00 | WASHER, PLATE | 6 | |
| 5 | 8N8-77531-00-00 | BRACKET, FRONT L (L.H) | 1 | |
| 6 | 8N8-77532-00-00 | BRACKET, FRONT R (R.H) | 2 | |
| 7 | 98701-06012-00 | SCREW, FLAT HEAD (92701-06012) | 6 | |
| 8 | 95701-06500-00 | NUT, FLANGE | 6 | |
| 9 | 98903-06014-00 | SCREW, BIND | 3 | |
| 10 | 98701-06014-00 | SCREW, FLAT HEAD | 10 | |
| 11 | 95701-06500-00 | NUT, FLANGE | 10 | |
| 12 | 8R6-77516-00-00 | BUSH, RUBBER 2 | 1 | |
| 13 | 8R6-77527-00-00 | PLATE, BACK UP | 4 | |
| 14 | 8N8-77523-00-00 | END, BUMPER | 1 | |
| 15 | 8N8-77524-00-00 | END, BUMPER | 1 | |
| 16 | 97313-06016-00 | BOLT, HEXAGON | 2 | |
| 17 | 92995-06100-00 | WASHER, SPRING | 2 | |
| 18 | 92901-06600-00 | WASHER | 2 | |
| 19 | 8L0-77515-00-00 | BUSH, RUBBER 1 | 2 | |
| 20 | 8M6-77541-00-00 | BUMPER, REAR 1 | 1 | |
| 21 | 8M6-77525-01-00 | WASHER 1 | 1 | |
| 22 | 8M6-77526-01-00 | WASHER 2 | 1 | |
| 23 | 90201-12195-00 | WASHER, PLATE | 2 | |
| 24 | 95701-10300-00 | NUT, FLANGE (95702-10300) | 2 | |
| 25 | 92990-10200-00 | WASHER, PLAIN | 2 | |
| 26 | 98902-06020-00 | SCREW, BIND | 4 | |
| 27 | 92995-06100-00 | WASHER, SPRING | 4 | |
| 28 | 92901-06600-00 | WASHER | 4 | |

CONTINUED ON NEXT FRAME ►

Not For Resale
www.SmallEngineDiscount.com

BUMPER

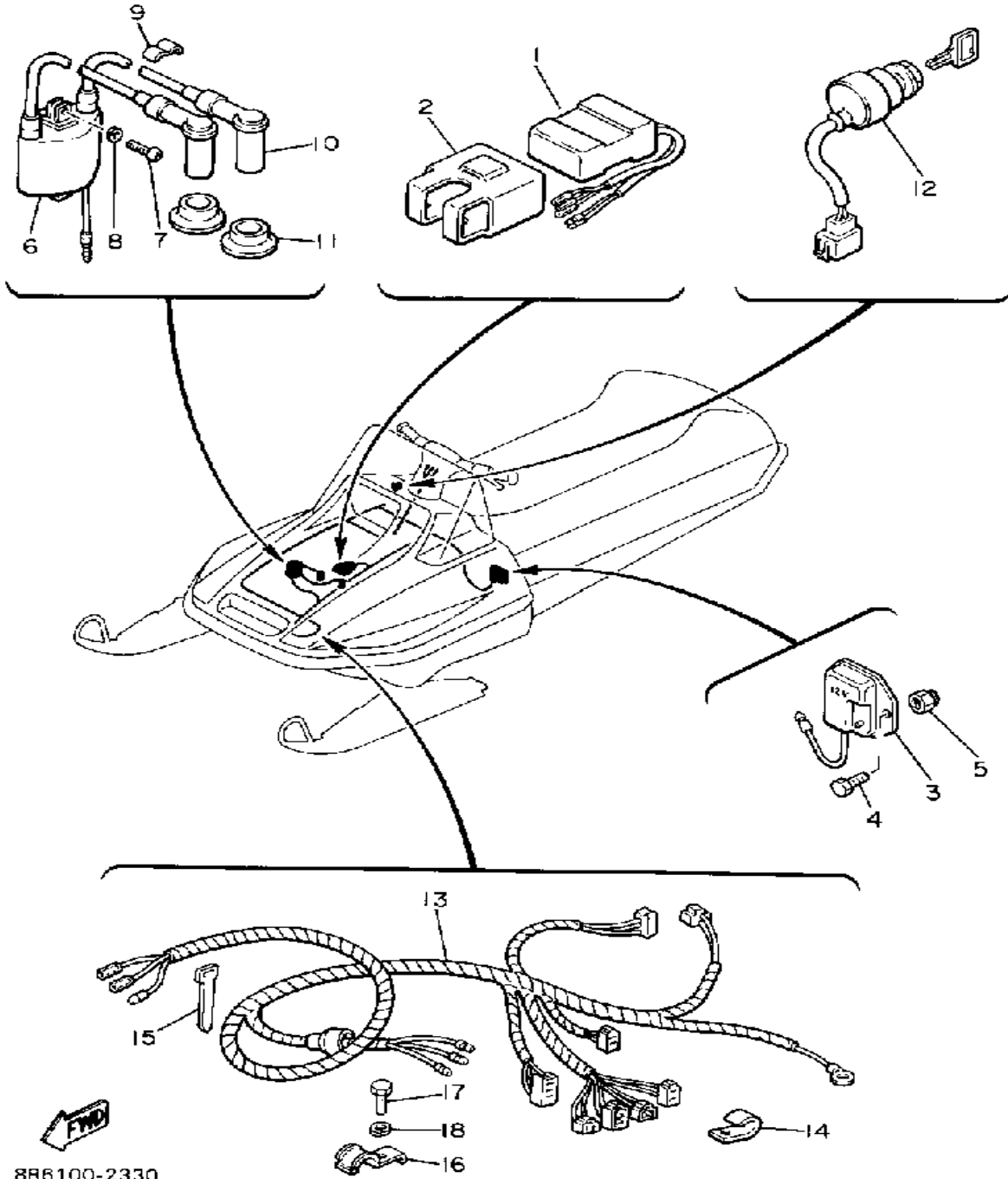


| Ref. No. | Part Number | Description | Qty | Remarks |
|----------|-----------------|----------------------|-----|---------|
| 29 | 95380-06600-00 | NUT | 4 | |
| 30 | 8M6-77542-00-00 | BUMPER, REAR 2 | 1 | |
| 31 | 98906-05016-00 | SCREW, BIND | 5 | |
| 32 | 90201-05721-00 | WASHER, PLATE | 10 | |
| 33 | 95701-05300-00 | NUT, NYLON | 5 | |
| 34 | 8M6-77543-00-00 | BUMPER, REAR 3 | 1 | |
| 35 | 8M6-77544-00-00 | BUMPER, REAR 4 | 1 | |
| 36 | 98906-05012-00 | SCREW, BIND | 6 | |
| 37 | 90201-05721-00 | WASHER, PLATE | 6 | |
| 38 | 90267-48086-00 | RIVET, BLIND | 4 | |
| 39 | 98906-06025-00 | SCREW, BIND | 2 | |
| 40 | 95701-06300-00 | NUT, NYLON | 2 | |
| 41 | 92990-06200-00 | WASHER | 2 | |
| 42 | 8V9-77595-00-00 | FLAP | 1 | |
| 43 | 90267-48086-00 | RIVET, BLIND | 5 | |

8U7100-3320

Not For Resale
www.SmallEngineDiscount.com

ELECTRICAL 1

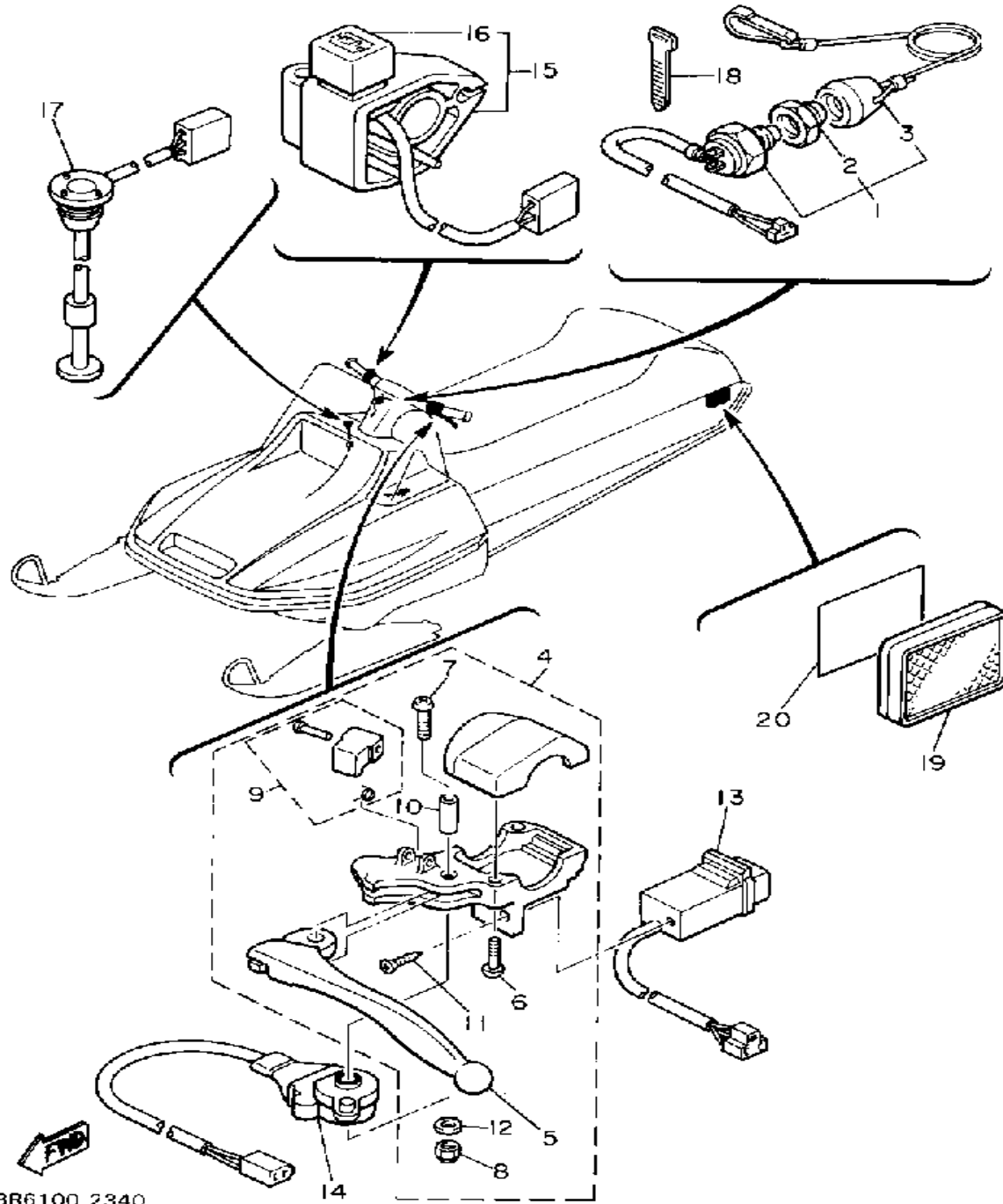


| Ref. No. | Part Number | Description | Qty | Remarks |
|----------|-----------------|---|-----|---------|
| 1 | 8N4-85540-20-00 | CDI UNIT ASSEMBLY | 1 | |
| 2 | 2A7-85546-00-00 | BAND | 1 | |
| 3 | 82F-81910-A0-00 | VOLTAGE REGULATOR ASSEMBLY | 1 | |
| 4 | 97301-06014-00 | BOLT, HEXAGON | 2 | |
| 5 | 95701-06300-00 | NUT, NYLON | 2 | |
| 6 | 8K4-82310-11-00 | IGNITION COIL ASSEMBLY ... | 1 | |
| 7 | 98580-06020-00 | SCREW | 2 | |
| 8 | 92995-06100-00 | WASHER, SPRING | 2 | |
| 9 | 861-82361-00-00 | CLAMP, CORD | 1 | |
| 10 | 8K1-82370-20-00 | PLUG CAP ASSEMBLY (WITH RESISTOR) | 2 | |
| 11 | 8G5-82372-00-00 | SEAL, PLUG CAP | 2 | |
| 12 | 8K4-82508-20-00 | MAIN SWITCH ASSEMBLY ... | 1 | |
| 13 | 8L8-82590-20-00 | WIRE HARNESS ASSEMBLY .. | 1 | |
| 14 | 90465-08028-00 | CLAMP | 1 | |
| 15 | 437-83936-01-00 | BAND, SWITCH CORD | 1 | |
| 16 | 90462-06079-00 | CLAMP | 1 | |
| 17 | 97013-06012-00 | BOLT | 1 | |
| 18 | 92995-06100-00 | WASHER, SPRING | 1 | |

8R6100-2330

Not For Resale
www.SmallEngineDiscount.com

ELECTRICAL 2



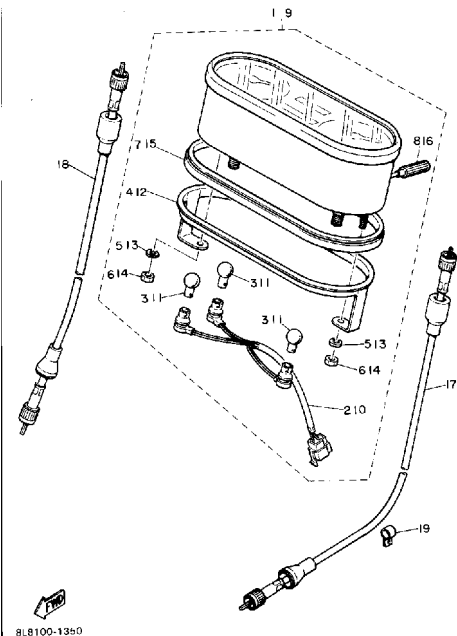
8R6100 2340

| Ref. No. | Part Number | Description | Qty | Remarks |
|----------|-----------------|--|-----|---------|
| 1 | 8H8-82550-01-00 | ENGINE STOP SWITCH ASSEMBLY | 1 | |
| 2 | 8H8-82557-00-00 | . NUT | 1 | |
| 3 | 8H8-82552-09-00 | . CAP, SWITCH | 1 | |
| 4 | 88R-W8291-00-00 | LEVER HOLDER ASSEMBLY (LEFT) | 1 | |
| 5 | 8H8-83912-00-00 | . LEVER 1 | 1 | |
| 6 | 90157-05027-00 | . SCREW, PAN HEAD | 2 | |
| 7 | 98501-05040-00 | . SCREW, PAN HEAD (98502-05040) | 1 | |
| 8 | 95701-05300-00 | . NUT, NYLON | 1 | |
| 9 | 82A-83930-00-00 | . LEVER LOCK ASSEMBLY | 1 | |
| 10 | 802-83913-00-00 | . COLLAR, LEVER 1 | 1 | |
| 11 | 97780-30312-00 | . SCREW, tapping | 2 | |
| 12 | 92990-05200-00 | . WASHER, PLAIN | 1 | |
| 13 | 8H8-83950-01-00 | BEAM SWITCH ASSEMBLY (8K4-83950-01-00) | 1 | |
| 14 | 88R-82530-00-00 | STOP SWITCH ASSEMBLY | 1 | |
| 15 | 8L8-83976-00-00 | SWITCH, HANDLE 1 | 1 | |
| 16 | 8E3-83956-01-00 | . CAP 1 | 1 | |
| 17 | 4A5-85720-00-00 | OIL LVL GAUGE ASSEMBLY (8K2-85720-00) | 1 | |
| 18 | 437-83936-01-00 | BAND, SWITCH CORD | 1 | |
| 19 | 81G-85130-00-00 | REAR REFLECTOR ASSEMBLY | 2 | |
| 20 | 878-85133-00-00 | TAPE, REFLECTOR | 2 | |

Not For Resale

www.SmallEngineDiscount.com

SPEEDOMETER

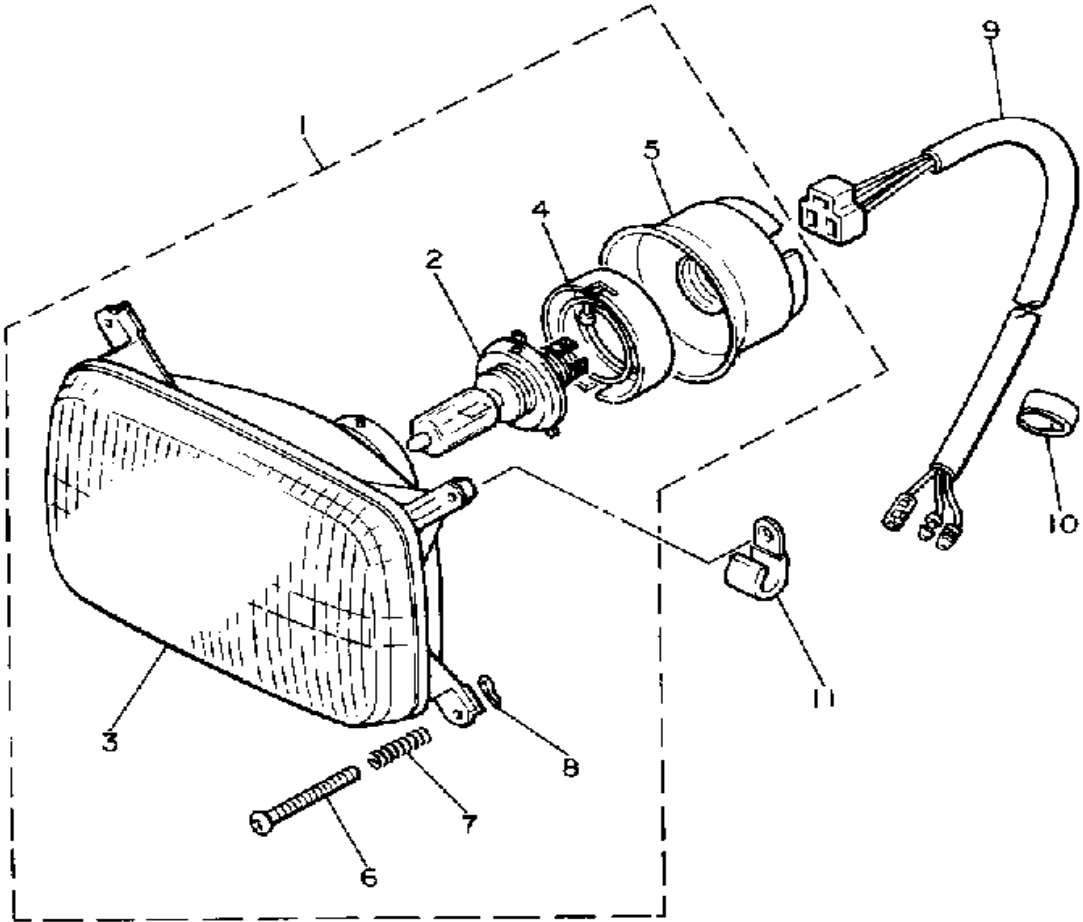


| Ref. No. | Part Number | Description | Qty | Remarks |
|----------|-----------------|----------------------------------|-----|-------------|
| 1 | 8L8-83500-40-00 | SPEEDOMETER ASSEMBLY .. | 1 | U.R. MILE/H |
| 2 | 8K4-83536-00-00 | . SOCKET, METER | 1 | |
| 3 | 123-83516-21-00 | . BULB (12V-3.4W) | 3 | |
| 4 | 8K4-83519-01-00 | . BRACKET, METER | 1 | |
| 5 | 92990-05100-00 | . WASHER, SPRING | 2 | |
| 6 | 95380-05600-00 | . NUT | 2 | |
| 7 | 8K4-83513-00-00 | . DAMPER | 1 | |
| 8 | 8L8-83578-00-00 | . KNOB, TRIP METER | 1 | |
| 9 | 8K4-83550-00-00 | SPEEDOMETER CABLE ASSEMBLY | 1 | |
| 10 | 8A1-83550-02-00 | SPEEDOMETER CABLE ASSEMBLY | 1 | |
| 11 | 90461-06M01-00 | CLAMP | 1 | |

Not For Resale
www.SmallEngineDiscount.com

HEADLIGHT

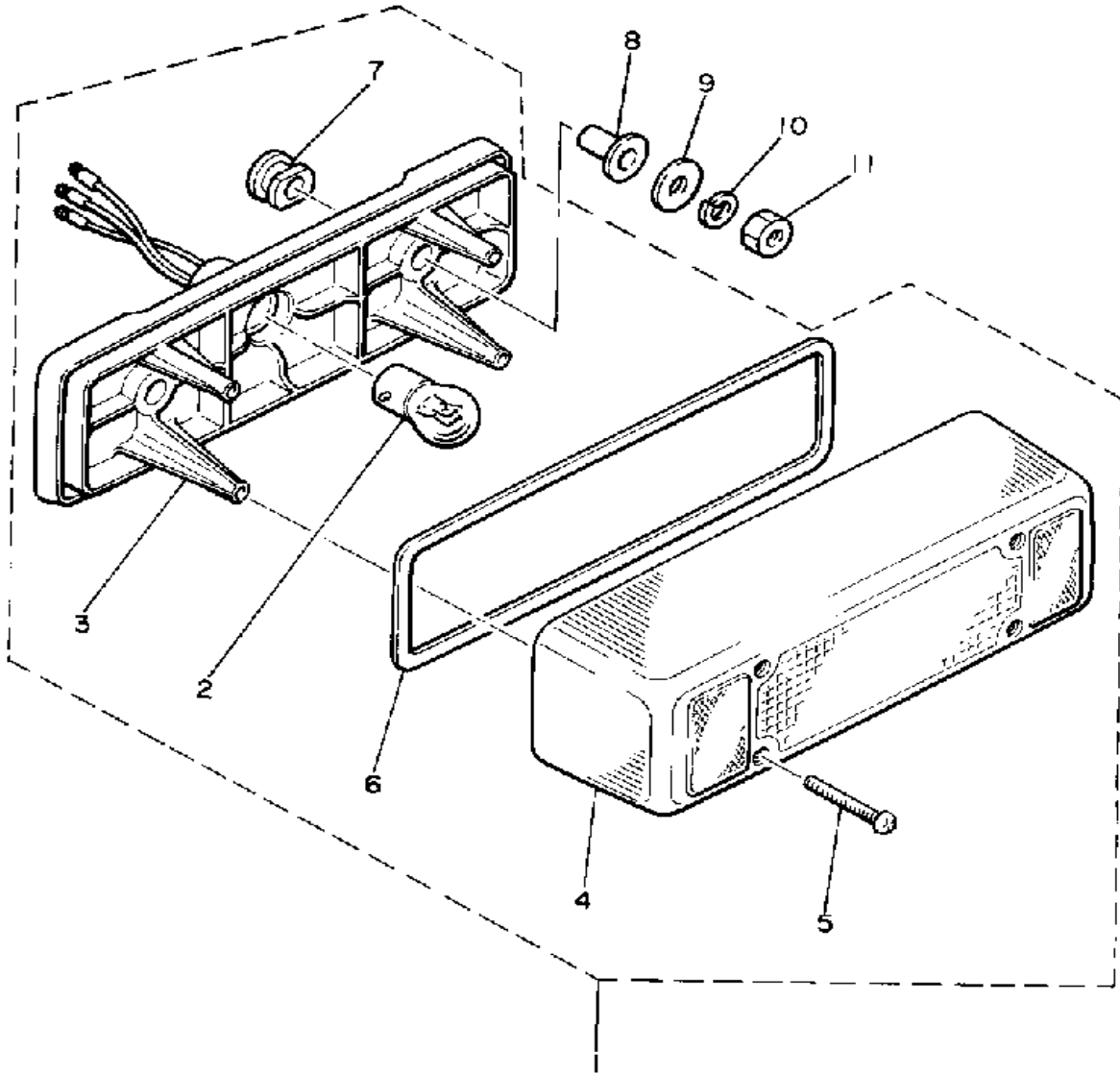
| Ref. No. | Part Number | Description | Qty | Remarks |
|----------|-----------------|---|-----|---------|
| 1 | 8M6-84310-00-00 | HEADLIGHT UNIT ASSEMBLY . | 1 | |
| 2 | 5V2-84314-00-XX | . BULB, HL 12V60/55W (2F9-84314-00) | 1 | LM |
| 3 | 8K4-84320-00-00 | . LENS ASSEMBLY | 1 | |
| 4 | 8A7-84312-00-00 | . HOLDER, SOCKET | 1 | |
| 5 | 8A7-84397-01-00 | . COVER, SOCKET | 1 | |
| 6 | 8M6-84331-00-00 | . SCREW, RIM ADJUSTING (8A5-84331-00-00) | 4 | |
| 7 | 8A5-84332-00-00 | . SPRING, SCREW | 4 | |
| 8 | 8K4-84374-00-00 | . CLIP | 4 | |
| 9 | 8H8-84359-00-00 | CORD, HEADLIGHT | 1 | |
| 10 | 90464-10038-00 | CLAMP | 1 | |
| 11 | 90465-08028-00 | CLAMP | 2 | |



8L8100-1380

Not For Resale
www.SmallEngineDiscount.com

TAILLIGHT

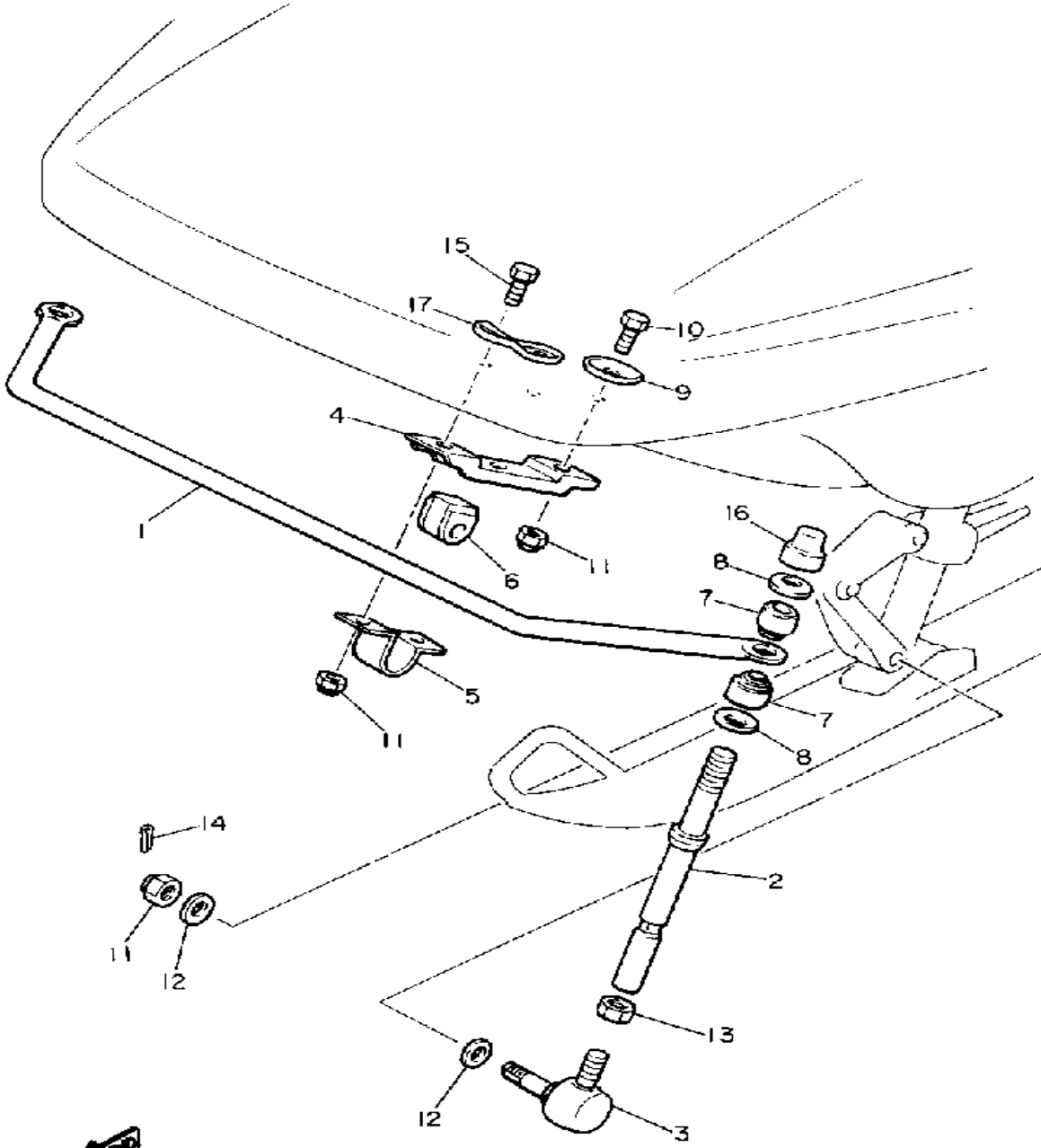


| Ref. No. | Part Number | Description | Qty | Remarks |
|----------|-----------------|---|-----|---------|
| 1 | 8K4-84710-00-00 | TAILLIGHT UNIT ASSEMBLY .. | 1 | |
| 2 | 137-84714-61-00 | . BULB, TL 12V23/8W (J50-83311-00) | 1 | |
| 3 | 8K4-84711-00-00 | . BASE, TAILLIGHT | 1 | |
| 4 | 8K4-84721-00-00 | . LENS, TAILLIGHT | 1 | |
| 5 | 97780-40130-00 | . SCREW, PANHEAD TAPPING (97701-40130-00) | 4 | |
| 6 | 87M-84723-00-00 | . GASKET, TAIL LENS | 1 | |
| 7 | 8K4-84718-00-00 | . GROMMET | 2 | |
| 8 | 90387-060G8-00 | COLLAR | 2 | |
| 9 | 90201-06407-00 | WASHER, PLATE (90201-06747-00) | 2 | |
| 10 | 92995-06100-00 | WASHER, SPRING | 2 | |
| 11 | 95380-06600-00 | NUT | 2 | |


8M6100-1380

Not For Resale
www.SmallEngineDiscount.com

STABILIZER KIT (OPTIONAL)

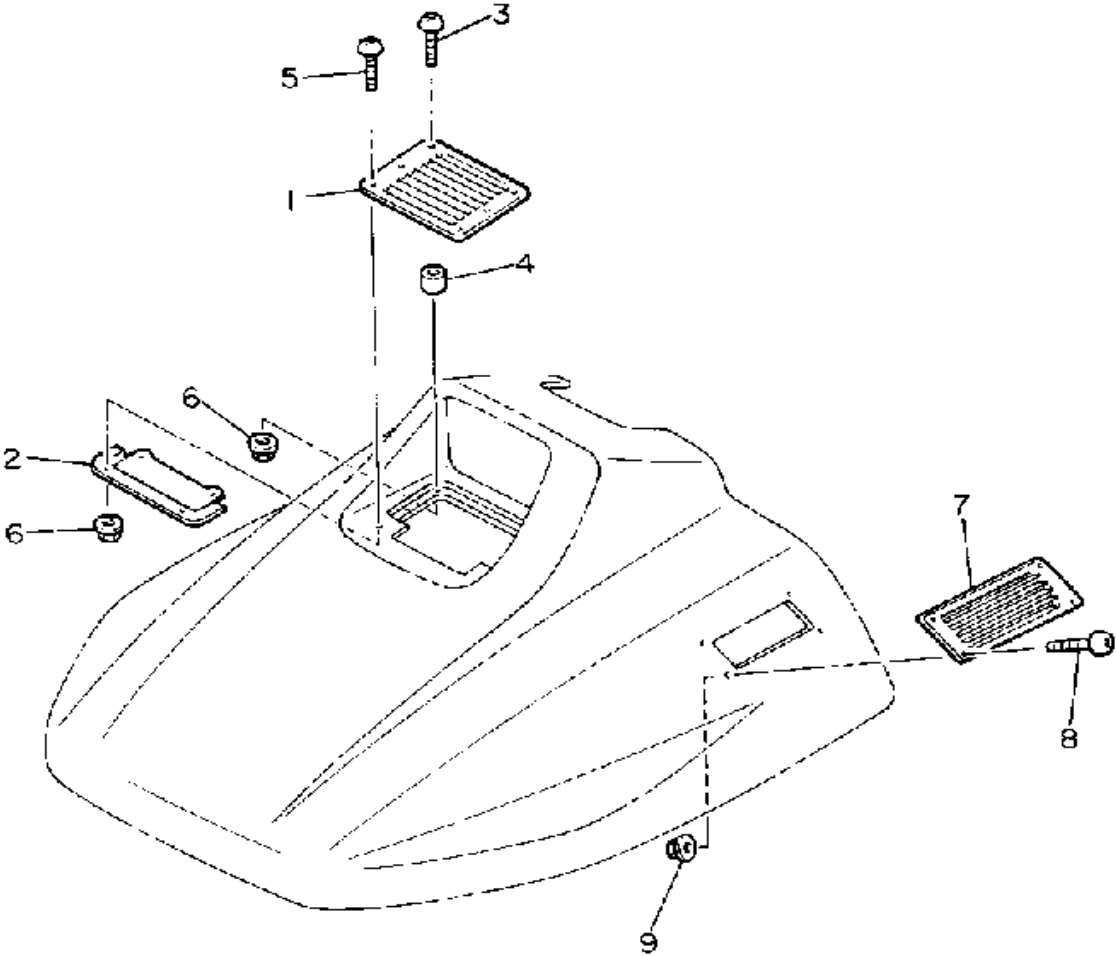


| Ref. No. | Part Number | Description | Qty | Remarks |
|----------|------------------|-----------------------------------|-----|---------|
| 1 | 8U7-W0051-00-00 | STABILIZER KIT-SRV (8L9-W0051-00) | 1 | |
| 2 | 8L9-2386F-10-00 | LINK, STABLZR FRONT | 2 | |
| 3 | 8L9-23841-10-00 | JOINT, UNIVERSAL 1 | 2 | |
| 4 | 8L9-23896-10-00 | BRACKET 5 | 2 | |
| 5 | 8M6-2386H-10-00 | COVER, STABLZR FRT | 2 | |
| 6 | 8L9-2386G-10-00 | BUSH, STABLZR FRONT | 2 | |
| 7 | 8L9-2386J-10-00 | CUSHION | 4 | |
| 8 | 8L9-2386K-10-00 | RETAINER | 4 | |
| 9 | 8L9-23779-10-00 | WASHER | 2 | |
| 10 | (97306-10020-00) | BOLT, HEXAGON | 2 | |
| 11 | 95706-10300-00 | . NUT, NYLON | 10 | |
| 12 | 90201-115A7-00 | . WASHER, PLATE | 4 | |
| 13 | 95306-10700-00 | . NUT | 2 | |
| 14 | 91490-20020-00 | . PIN, COTTER | 2 | |
| 15 | (97306-10025-00) | BOLT, HEXAGON | 4 | |
| 16 | 8L9-23742-10-00 | . CAP 2 | 2 | |
| 17 | 8L9-23774-10-00 | . PLATE | 2 | |

8R6100-2380

Not For Resale
www.SmallEngineDiscount.com

LOUVER



| Ref. No. | Part Number | Description | Qty | Remarks |
|----------|-------------------|------------------------------------|-----|---------|
| 1 | 8U7-77109-00-00 | LOUVER 5 | 1 | |
| 2 | 8U7-77186-00-00 | PLATE 2 | 1 | |
| 3 | 90154-05020-00 | SCREW, BINDING (90164-05013) | 4 | |
| 4 | 90387-05626-00 | COLLAR | 4 | |
| 5 | 90164-05007-00 | SCREW, TAPPING | 2 | |
| 6 | 95701-05500-00 | NUT, FLANGE | 6 | |
| 7 | (8U7-77108-00-00) | LOUVER 6 | 1 | |
| 8 | 90164-05007-00 | SCREW, TAPPING | 4 | |
| 9 | 95701-05500-00 | NUT, FLANGE | 4 | |



8U3100-3380

Not For Resale

www.SmallEngineDiscount.com

SR540G

1983 SERVICE/HIGH ALTITUDE TUNING DATA

| | | |
|---------------------------------------|---------------------------|-----|
| MODEL - IBM I.D. NUMBER | SR540G | 8U7 |
| Starting Engine Number / Frame Number | SA535-048101 / 8U7-048101 | |

| | |
|---|--|
| ENGINE - Type / Induction System | 2-Stroke, Forced Air-cooled/Reed Valve |
| Bore / Stroke / Number Cylinders / Displacement | 73mm / 64mm / 2 / 535cc |
| Compression Ratio | 6.0:1 |
| Piston Skirt Clearance New / Max | 0.055 ~ 0.060mm / 0.1mm |
| Ring End Gap Top / 2nd | 0.2 ~ 0.4mm / 0.2 ~ 0.4mm |
| Ring Groove Clearance Top / 2nd | 0.02 ~ 0.06mm / 0.02 ~ 0.06mm |
| Coolant Type / Mixing Ratio | ∅ / ∅ |

| | |
|---|---|
| CARBURETOR - Mfr. Type / Size / Qty. / I.D. Number | Keihin - BD44-38 / 44-38mm / 1 / 8R6-01 |
| Main Jet / Main Air Jet | 150 / 180 |
| Slow Jet / Slow Air Jet / Air Screw | 92 / 100 / ∅ |
| Pilot Jet / Pilot Screw | ∅ / 2 Turns Out |
| Needle Jet/Jet Needle-Clip Position/Cutaway/Air Jet | ∅ / ∅ / ∅ / ∅ |
| Power Jet / Power Air Jet | 150 / 170 |
| Fuel Inlet Valve / Float Level | 2.0 / 15 ±3mm |
| Idle Speed | 1500 rpm |

| | |
|---|--|
| AUTOLUBE - Pump Color / Control Rod Adjustment | Gray / 25 ±1mm @ Idle @ Pump Wire Assembly |
| Pump Plunger Stroke Min / Max | 0.20 ~ 0.25mm / 1.65 ~ 1.87mm |
| Output @ 200 Strokes Full Throttle / Idle | 7.84 ~ 8.89cc / 0.95 ~ 1.19cc |

| | |
|--|--|
| DRIVE - Engagement rpm / Shift rpm | 3700 rpm / 7000 rpm |
| Belt Length / Width / Wear Limit / IBM Number | 1099mm / 31.6mm / 26mm / 8F2 |
| Sheave Center-to-center / Offset | 270 ±3mm / 13mm |
| Primary Spring Color / Length / Rate / Preload | Red-Silver / 80mm / 1.73 kg/mm / 28.6 kg |
| Secondary Spring Preload / Color | 20° Holes A & 1 / Pink |
| Secondary Drive Teeth / Chain Free Play | 17-31 / 10 ±3mm |
| Track Width / Tension | 15 in / 25 ±3mm @ 10.0 kg |

| | |
|--|---------------------------------|
| CAPACITIES - Chain Case/Gear Case Cap. (Type) | 250cc / ∅ (SAE 80W-90 API GL-4) |
| Fuel Tank Capacity / Type | 26.6 Lit / Regular |
| Autolube Tank Capacity / Type | 2.5 Lit / Yamalube 2 |

| | |
|--|--|
| ELECTRICAL - Manufacturer / Type | Mitsubishi / CDI |
| Battery Model / Specific Gravity / Charge Rate | ∅ |
| Charging Coil Color Code / Resistance | ∅ |
| Headlight / Taillight / Meter Light Ratings | 12V60-55W / 12V23-8W / 12V3.4W |
| Lighting Coil Color Code / Resistance / Output | Yel ~ Blk / 0.19Ω ± 10% / 12V100W @ 3000 rpm |
| Ignition Coil Resistance Primary / Secondary | 0.15Ω ± 10% / 3.5KΩ ± 20% |
| Source Coil Color Code / Resistance | Brn ~ Blk / 590Ω ± 10% |
| Pulser Coil Color Code / Resistance | Wht-Red ~ Blk / 15.1Ω ± 10% |
| Spark Plug Type / Gap / Torque | NGK BR9EV / 0.7 ~ 0.8mm / 2.7 m·kg |
| Ignition Timing | 1.5mm BTDC (14° @ 7000 rpm) |

∅ = Does Not Apply To This Model NA = Information Not Available

| | | | | | |
|--------------|---------|-------|-------|--------|-------------|
| SERVICE COPY | SER MGR | MECH | MECH | MECH | BINDER |
| OFFICE COPY | GEN MGR | SALES | PARTS | BINDER | PAGE 1 OF 2 |

SR540G HIGH ALTITUDE SPECIFICATIONS

| | STANDARD SETTING | HIGH ALTITUDE |
|-------------------------|------------------|--|
| Idle | 1500 rpm ± 100 | 1500 rpm ± 100 |
| Clutch Engagement | 3700 rpm ± 200 | 4200 rpm ± 200 |
| Shift speed | 7000 rpm ± 200 | 7000 rpm ± 200 |
| Main Jet | #150 | See Setting Chart |
| Slow Jet | #92 | #100 |
| Low Speed Mixture Screw | 2.0 Turns Out | 2.0 Turns Out |
| Reduction Ratio | 17/31 | 15/33 |
| Primary Spring | | Grn-Sil, 1.4 kg/mm x 43.2 kg (8U7-17643-10-00) |
| Primary Weight | 8U7-17633-00-00 | 8U7-17633-10-00 |
| Secondary Spring Twist | 20° Holes A & 1 | 50° Holes A & 2 |

NOTE:

- Pilot jets to be selected according to engine response.
- To prevent fuel pump vapor lock in extremely warm conditions, install the vapor lock kit (see Tech Update 5/7/82).

MAIN JET SETTING CHART

| Elevation | Temperature | -30°C | -20°C | -10°C | 0°C | 10°C | 20°C |
|--------------------|-------------|---------|--------|--------|--------|--------|--------|
| | | (-22°F) | (-4°F) | (14°F) | (32°F) | (50°F) | (68°F) |
| Sea Level | | | | | #150 | | |
| 600m (2000 ft.) | | #155 | | #145 | | #140 | |
| 1200m (4000 ft.) | | #150 | | #140 | | #135 | |
| 1800m (6000 ft.) | | #145 | | #135 | | #130 | |
| 2400m (8000 ft.) | | #140 | | #130 | | | |
| 3000m (10,000 ft.) | | #135 | | #125 | | #125 | |
| | | #130 | | | | | #120 |

ALTERNATE PARTS LIST

| MAIN JET SIZE | PART NUMBER | SLOW JET SIZE | PART NUMBER |
|---------------|------------------|----------------|--------------------|
| #155 | 8A6-14516-55-00* | #100 | 8G6-14948-27-00 |
| #150 | 8A6-14516-50-00 | #95 | 8G6-14948-25-00 |
| #145 | 8A6-14516-45-00 | GEARING | PART NUMBER |
| #140 | 8A6-14516-40-00 | | |
| #135 | 8A6-14516-35-00 | | |
| #130 | 8A6-14516-30-00 | | |
| #125 | 8A6-14516-25-00 | | |
| #120 | 8A6-14516-20-00 | | |
| #115 | 8A6-14516-15-00 | 17 T | 878-17682-70* |
| | | 15 T | 878-17682-50 |
| | | 31 T | 878-47587-00* |
| | | 33 T | 888-47587-00 |

SERVICE LITERATURE

| PUBLICATION | PART NUMBER | REMARKS |
|-----------------|-----------------|--|
| Owner's Manual | LIT-12628-00-49 | Supp. to SR540E (00-37) and SR540F (00-42) Same As SR540E |
| Service Manual | LIT-12618-00-49 | |
| Assembly Manual | LIT-12668-00-37 | |

SR540 HIGH ALTITUDE SPECIFICATIONS

| | STANDARD SETTING | HIGH ALTITUDE |
|-------------------------|------------------|--|
| Idle | 1500 rpm ± 100 | 1500 rpm ± 100 |
| Clutch Engagement | 3700 rpm ± 200 | 4200 rpm ± 200 |
| Shift speed | 7000 rpm ± 200 | 7000 rpm ± 200 |
| Main Jet | #150 | See Setting Chart |
| Slow Jet | #92 | #100 |
| Low Speed Mixture Screw | 2.0 Turns Out | 2.0 Turns Out |
| Reduction Ratio | 17/31 | 15/33 |
| Primary Spring | | Grn-Sil, 1.4 kg/mm x 43.2 kg (8U7-17643-10-00) |
| Primary Weight | 8U7-17633-00-00 | 8U7-17633-10-00 |
| Secondary Spring Twist | 20° Holes A & 1 | 50° Holes A & 2 |

NOTE:

1. Pilot jets to be selected according to engine response.
2. To prevent fuel pump vapor lock in extremely warm conditions, install the vapor lock kit (see Tech Update 5/7/82).

MAIN JET SETTING CHART

| Elevation | Temperature | -30°C | -20°C | -10°C | 0°C | 10°C | 20°C |
|--------------------|-------------|---------|--------|--------|--------|--------|--------|
| | | (-22°F) | (-4°F) | (14°F) | (32°F) | (50°F) | (68°F) |
| Sea Level | | | | | #150 | | |
| 600m (2000 ft.) | | #155 | | #145 | | #145 | |
| 1200m (4000 ft.) | | #150 | | #140 | | #140 | |
| 1800m (6000 ft.) | | #145 | | #135 | | #135 | |
| 2400m (8000 ft.) | | #140 | | #130 | | #130 | |
| 3000m (10,000 ft.) | | #135 | | #125 | | #125 | |
| | | #130 | | | | #120 | |

ALTERNATE PARTS LIST

| MAIN JET SIZE | PART NUMBER | SLOW JET SIZE | PART NUMBER |
|---------------|------------------|----------------|--------------------|
| #155 | 8A6-14516-55-00* | #100 | 8G6-14948-27-00 |
| #150 | 8A6-14516-50-00 | #95 | 8G6-14948-25-00 |
| #145 | 8A6-14516-45-00 | | |
| #140 | 8A6-14516-40-00 | GEARING | PART NUMBER |
| #135 | 8A6-14516-35-00 | | |
| #130 | 8A6-14516-30-00 | 17 T | 878-17682-70* |
| #125 | 8A6-14516-25-00 | 15 T | 878-17682-50 |
| #120 | 8A6-14516-20-00 | 31 T | 878-47587-00* |
| #115 | 8A6-14516-15-00 | 33 T | 888-47587-00 |
| | *Standard | | |

SERVICE LITERATURE

| PUBLICATION | PART NUMBER | REMARKS |
|-----------------|-----------------|--|
| Owner's Manual | LIT-12628-00-49 | |
| Service Manual | LIT-12618-00-49 | Supp. to SR540E (00-37) and SR540F (00-42) |
| Assembly Manual | LIT-12668-00-37 | Same As SR540E |