



**YAMAHA**

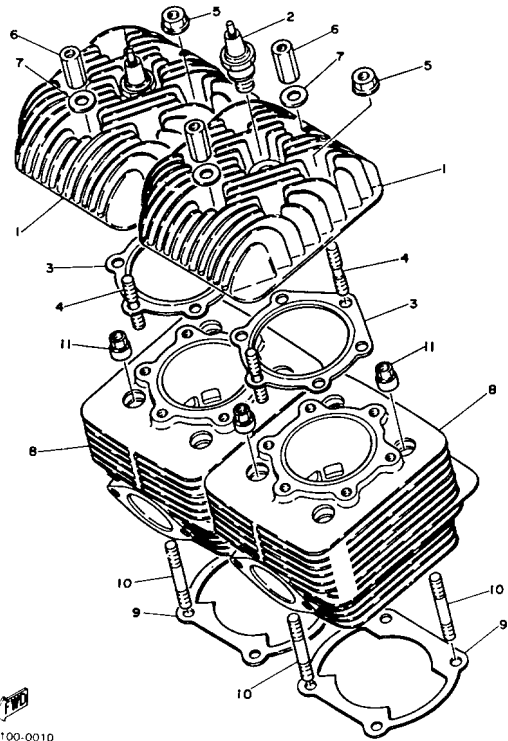
**GENUINE**

**PARTS CATALOGUE**

**SNOWMOBILE**

Not For Resale

[www.SmallEngineDiscount.com](http://www.SmallEngineDiscount.com)



8K1100-0010

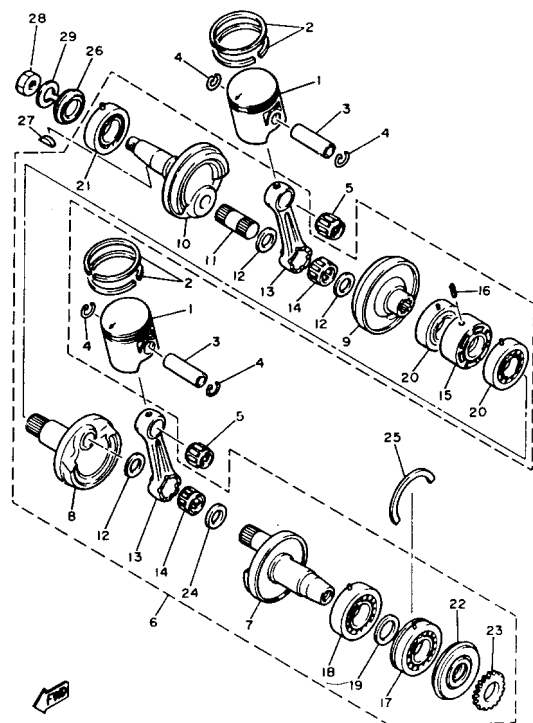
# CYLINDER

Ref. No.	Part Number	Description	Qty	Remarks
1	8R6-11111-00-00	HEAD, CYLINDER 1 .....	2	
2	NGK-BR9EV-01-PC	NGK 1PCTRM BR9EV10 (94702-00193-00) .....	2	
3	8H8-11181-01-00	GASKET, CYLINDER HEAD 1 (8H8-11181-00) .....	2	
4	90116-08104-00	BOLT, STUD .....	12	
5	95701-08500-00	NUT, FLANGE .....	8	
6	90179-08269-00	NUT .....	4	
7	90201-08100-00	WASHER, PLATE .....	4	
8	8R6-11311-00-00	CYLINDER 1 .....	2	
9	89N-11351-00-00	GASKET, CYLINDER .....	2	
10	90116-08302-00	BOLT, STUD .....	8	
11	90179-08268-00	NUT .....	8	

Not For Resale

[www.SmallEngineDiscount.com](http://www.SmallEngineDiscount.com)

# CRANKSHAFT - PISTON

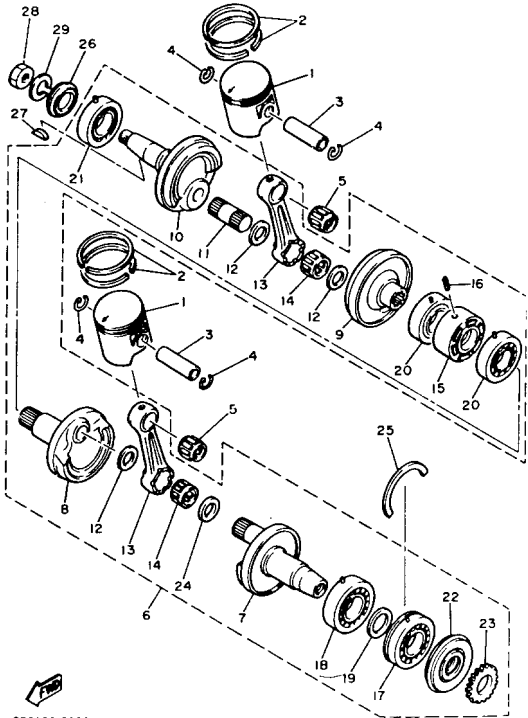


Ref. No.	Part Number	Description	Qty	Remarks
1	8R6-11631-00-95	PISTON (STD)	2	U.R.
	8R6-11635-00-00	PISTON (0.25MM O/S)	2	Alternate Part
	8R6-11636-00-00	PISTON (0.50MM O/S)	2	Alternate Part
2	8R6-11601-00-00	PISTON RING SET (STD)	2	U.R. STD
	8R6-11601-10-00	PISTON RING SET (0.25MM O/S)	2	Alternate Part
	8R6-11601-20-00	PISTON RING SET (0.50MM O/S)	2	Alternate Part
3	8H8-11633-00-00	PIN, PISTON	2	
4	93450-21053-00	CIRCLIP	4	
5	93310-320G0-00	BEARING	2	
6	8R6-11400-01-00	CRANKSHAFT ASSEMBLY	1	
7	8R6-11412-00-00	. CRANK 1	1	
8	8R6-11422-00-00	. CRANK 2	1	
9	8R6-11432-01-00	. CRANK 3	1	
10	8H8-11442-00-00	. CRANK 4	1	
11	8H0-11681-00-00	. PIN, CRANK 1	1	
12	90209-24073-00	. WASHER	3	
13	8R6-11651-00-00	. ROD, CONNECTING	2	
14	93310-524K4-00	. BEARING	2	
15	8H8-11515-00-00	. SEAL, LABYRINTH 1	1	
16	91609-30010-00	. PIN, SPRING	1	
17	93306-30625-00	. BEARING	1	
18	93306-30625-00	. BEARING	1	
19	90201-34683-00	. WASHER, PLATE (90201-33299-00)	1	
20	93306-20620-00	. BEARING (B6206)	2	
21	93306-20620-00	. BEARING (B6206)	1	
22	93103-32095-00	. OIL SEAL	1	
23	8K2-13178-00-00	. GEAR, PUMP DRIVE	1	

CONTINUED ON NEXT FRAME ►

Not For Resale  
[www.SmallEngineDiscount.com](http://www.SmallEngineDiscount.com)

# CRANKSHAFT - PISTON



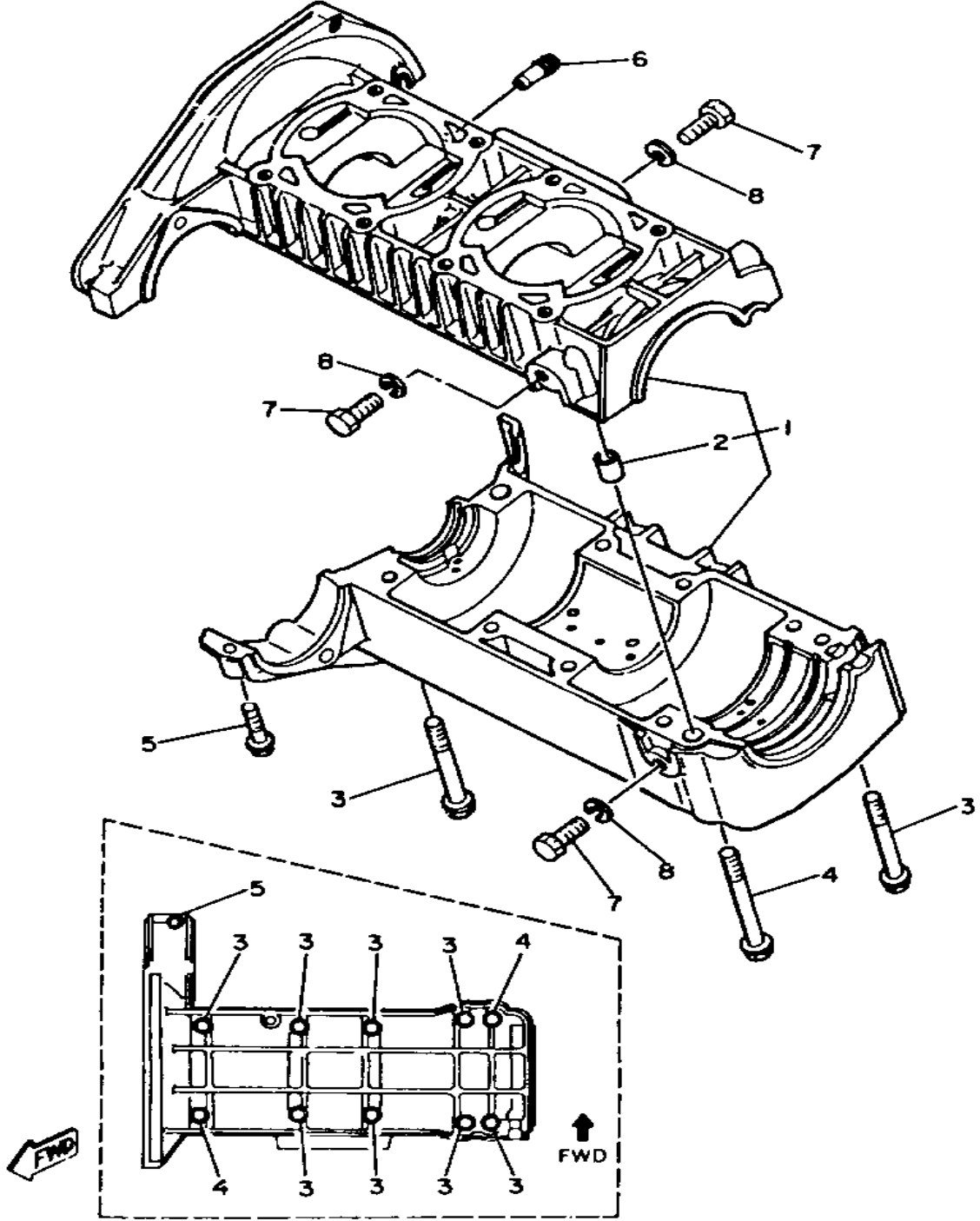
Ref. No.	Part Number	Description	Qty	Remarks
24	8A7-11685-00-00	. WASHER, CRANK PIN .....	1	
25	93440-78069-00	CIRCLIP .....	1	
26	93103-32156-00	OIL SEAL .....	1	
27	90280-05014-00	KEY, WOODRUFF .....	1	
28	90170-16182-00	NUT .....	1	
29	92901-16100-00	WASHER, SPRING .....	1	

BR6100-2020

Not For Resale  
[www.SmallEngineDiscount.com](http://www.SmallEngineDiscount.com)

# CRANKCASE

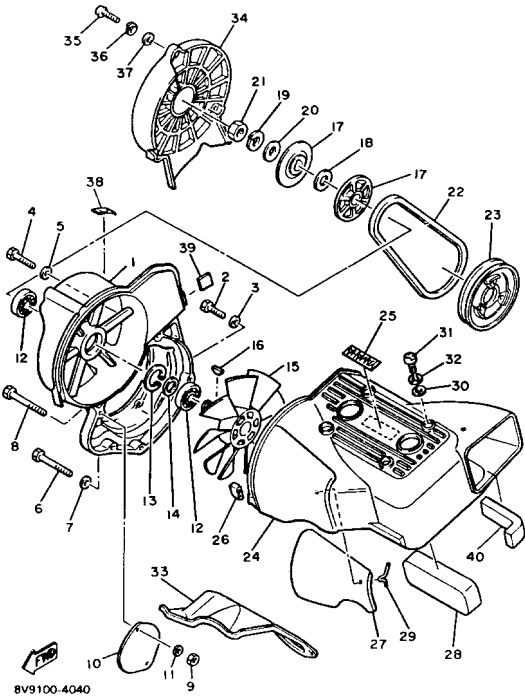
Ref. No.	Part Number	Description	Qty	Remarks
1	8H8-15100-02-00	CRANKCASE ASSEMBLY	1	
2	99510-12016-00	. PIN, DOWEL	2	
3	95811-08075-00	BOLT, FLANGE	8	
4	95811-08085-00	BOLT, FLANGE	2	
5	95811-06030-00	BOLT, FLANGE	1	
6	J38-11116-00-00	JOINT, BREATHER	1	
7	97313-08020-00	BOLT, HEXAGON	6	
8	92990-08100-00	WASHER	6	



8LB100-1030

Not For Resale  
[www.SmallEngineDiscount.com](http://www.SmallEngineDiscount.com)

# AIR SHROUD - FAN

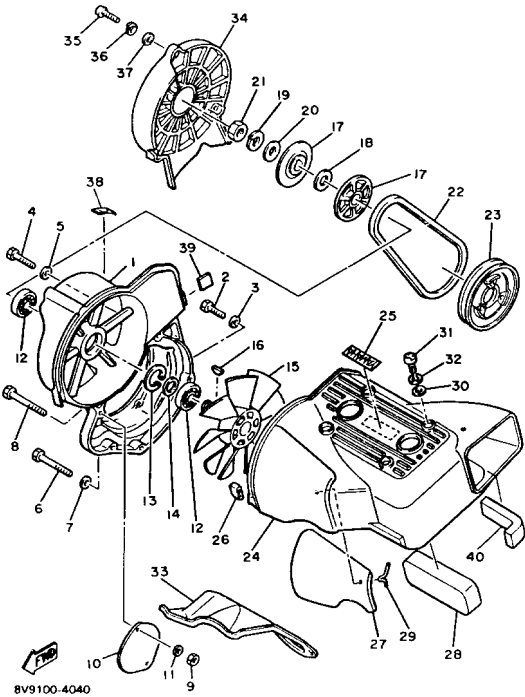


Ref. No.	Part Number	Description	Qty	Remarks
1	8H8-12621-02-00	CASE, fan (8H8-12621-01)	1	
2	97313-08035-00	BOLT, HEXAGON	2	
3	92901-08600-00	WASHER	2	
4	97313-08050-00	BOLT, HEXAGON (90101-08125)	1	
5	92901-08600-00	WASHER	1	
6	97013-08075-00	BOLT	1	
7	92901-08600-00	WASHER	1	
8	97013-08075-00	BOLT	1	
9	95303-08600-00	NUT	2	
10	8K4-12633-00-00	PLATE	1	
11	92990-08100-00	WASHER	2	
12	93306-20331-00	BEARING	2	
13	93420-40064-00	CIRCLIP	1	
14	90201-17713-00	WASHER, PLATE	1	
15	8H8-12611-01-00	FAN	1	
16	90280-05014-00	KEY, WOODRUFF	1	
17	8H8-12619-01-00	PULLEY 2	2	
18	90214-17017-00	WASHER, CLAW (0.5T)	1	U.R.
	90214-17018-00	WASHER, CLAW (1.0T)	1	U.R.
19	92901-16100-00	WASHER, SPRING	1	
20	90201-17713-00	WASHER, PLATE	1	
21	90170-16182-00	NUT	1	
22	8H8-12612-00-00	BELT	1	
23	8H8-12618-01-00	PULLEY 1	1	
24	8H8-12651-02-00	AIR SHROUD, CYLINDER 1	1	
25	8H8-12629-00-00	EMBLEM	1	
26	8H8-12658-00-00	DAMPER, AIR SHROUD 1	2	
27	8H8-12659-00-00	DAMPER, AIR SHROUD 2	1	
28	8H8-12669-00-00	DAMPER, AIR SHROUD 4	1	

CONTINUED ON NEXT FRAME ➤

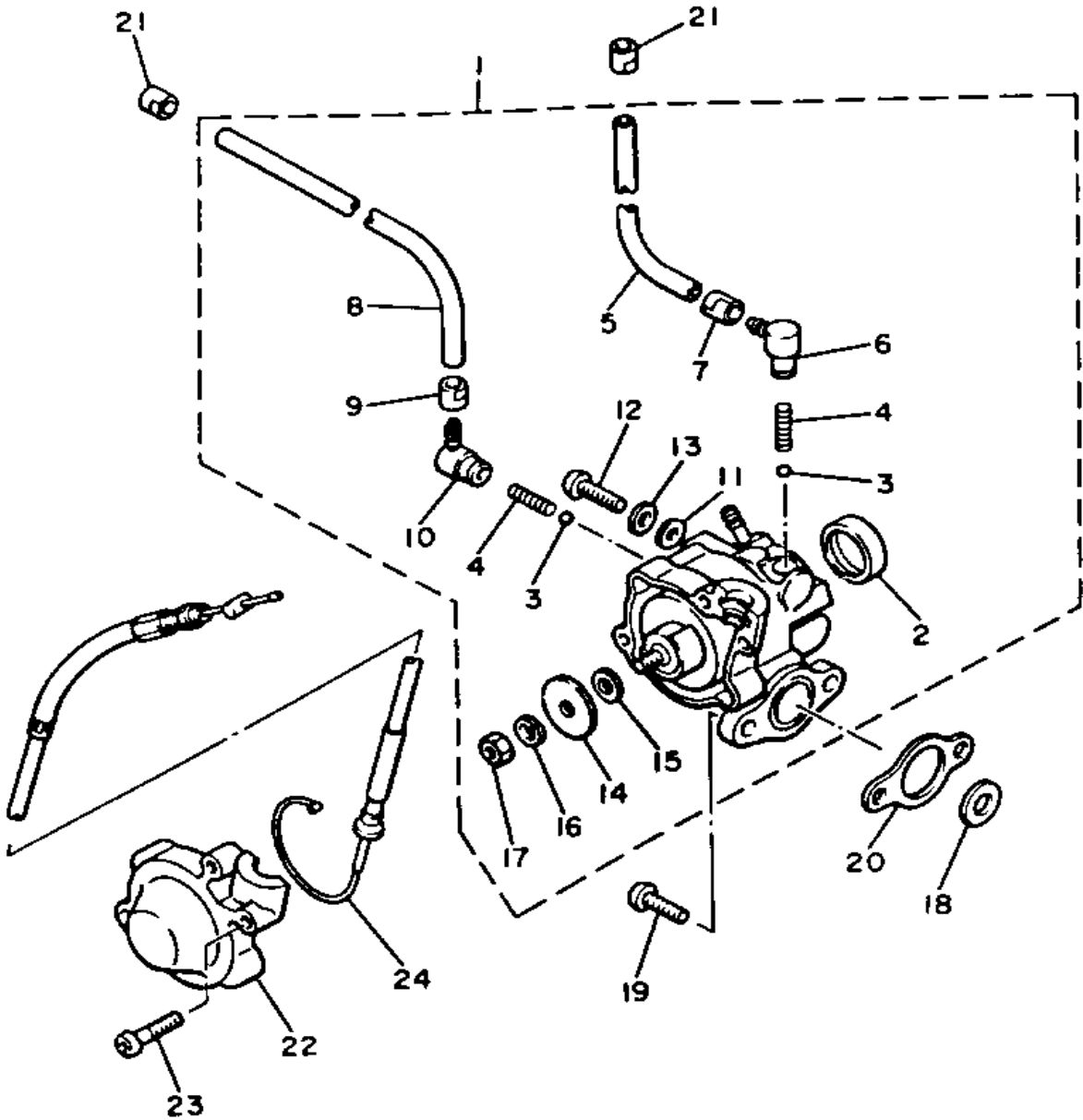
Not For Resale  
www.SmallEngineDiscount.com

# AIR SHROUD - FAN



Ref. No.	Part Number	Description	Qty	Remarks
29	91401-16030-00	PIN, COTTER .....	3	
30	90201-06059-00	WASHER, PLATE .....	4	
31	98906-06016-00	SCREW, BIND .....	4	
32	92906-06100-00	WASHER, SPRING .....	4	
33	8H8-12652-00-00	AIR SHROUD, CYLINDER 2 ...	1	
34	8L0-12616-00-00	COVER, FAN CASE .....	1	
35	98506-06025-00	SCREW, PAN HEAD .....	3	
36	92906-06100-00	WASHER, SPRING .....	3	
37	90201-062A8-00	WASHER, PLATE .....	3	
38	8K4-12628-00-00	LABEL, CAUTION .....	1	
39	(8V8-12679-00-00)	DAMPER, SHROUD 6 .....	1	
40	8V8-12678-00-00	DAMPER, AIR SHROUD 5 ....	1	

# OIL PUMP



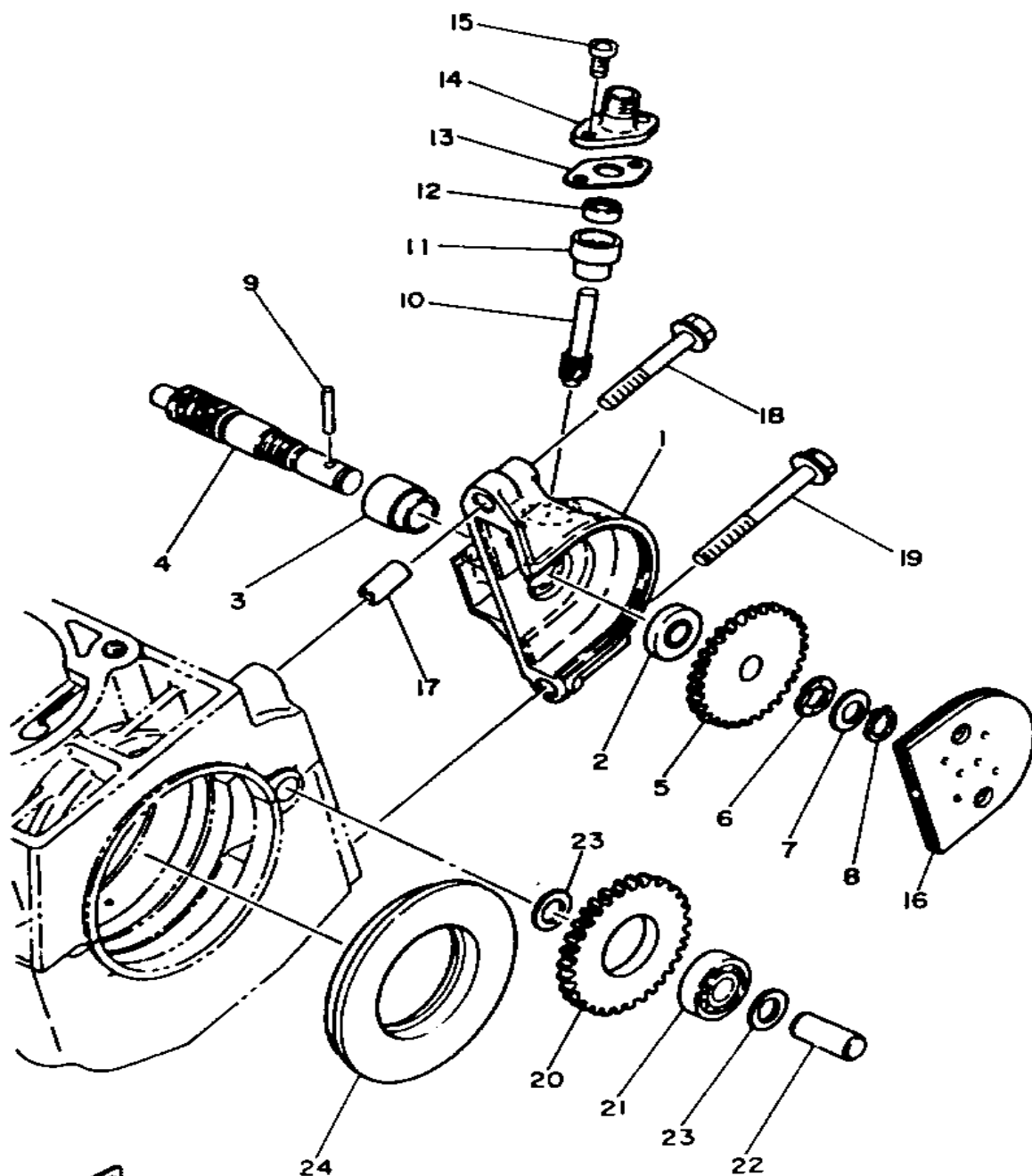
Ref. No.	Part Number	Description	Qty	Remarks
1	8V9-13101-00-00	OIL PUMP ASS'Y	1	
2	90338-21100-00	. PLUG	1	
3	93505-32002-00	. BALL	2	
4	90501-02018-00	. SPRING, COMPRESSION	2	
5	90446-08210-00	. HOSE	1	
6	353-13552-01-00	. NOZZLE	1	
7	90468-02025-00	. CLIP	1	
8	90446-08204-00	. HOSE	1	
9	90468-02025-00	. CLIP	1	
10	353-13552-01-00	. NOZZLE	1	
11	90430-04004-00	. GASKET	1	
12	90157-04009-00	. SCREW, PAN HEAD	1	
13	92901-04600-00	. WASHER, PLATE	1	
14	137-13138-01-00	. PLATE, ADJUSTING	1	
15	137-13137-00-03	. SHIM (0.3T)	1	U.R.
	137-13137-00-05	. SHIM (0.5T)	1	U.R.
	137-13137-00-10	. SHIM (1.0T)	1	U.R.
16	92990-05100-00	. WASHER, SPRING	1	
17	95301-05600-00	. NUT	1	
18	90201-08624-00	WASHER, PLATE	1	
19	98580-05014-00	SCREW, PAN HEAD	2	
20	8Y0-13116-01-00	GASKET, PUMP CASE	1	
21	90468-02025-00	CLIP	2	
22	8A5-13146-01-00	COVER, ADJUST PULLEY	1	
23	98506-04018-00	SCREW, PAN HEAD	3	
24	8L8-26320-01-00	PUMP CABLE ASSEMBLY	1	

Not For Resale

www.SmallEngineDiscount.com



# PUMP DRIVE - GEAR



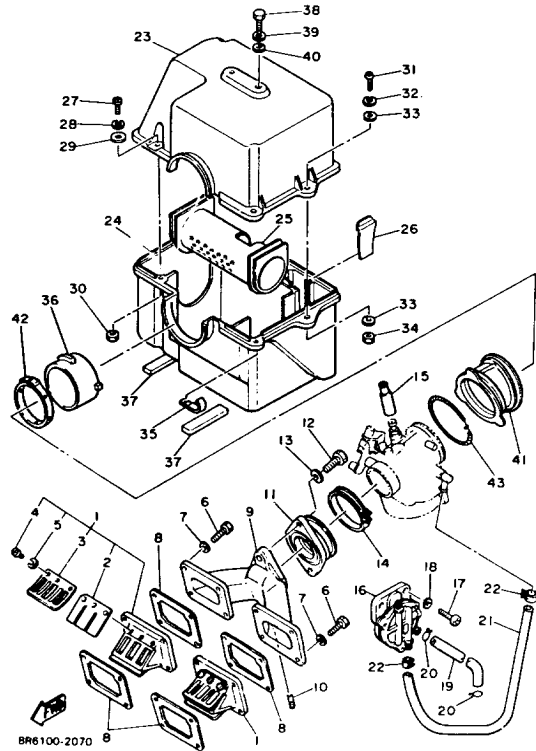
8K4100-0060

Ref. No.	Part Number	Description	Qty	Remarks
1	8H8-15416-00-00	COVER, OIL PUMP	1	
2	93101-10090-00	OIL SEAL	1	
3	821-13176-00-00	METAL, WORM SHAFT OUTER	1	
4	826-13175-00-00	SHAFT, WORM	1	
5	821-13188-00-00	GEAR, DRIVE (32T)	1	
6	90206-11016-00	WASHER, WAVE	1	
7	137-13148-00-00	PLATE, CAM THRUST	1	
8	99009-10400-00	CIRCLIP	1	
9	93603-22028-00	PIN, DOWEL	1	
10	813-17841-00-00	GEAR, DRIVEN (10T)	1	
11	821-17843-00-00	BUSH, DRIVEN GEAR OUTER	1	
12	93104-06033-00	OIL SEAL	1	
13	821-17818-02-00	GASKET	1	
14	821-17819-00-00	CAP, HOUSING	1	
15	98501-05010-00	SCREW, PAN HEAD	2	
16	8K4-15426-00-00	COVER, OIL PUMP 2	1	
17	99510-08016-00	PIN, DOWEL	2	
18	95811-06040-00	BOLT, FLANGE	1	
19	95811-06055-00	BOLT, FLANGE (95802-06055)	1	
20	8H8-13179-00-00	GEAR, IDLE (34T)	1	
21	93306-00002-00	BEARING (B6000RS)	1	
22	8G8-13342-00-00	SHAFT, IDLE GEAR	1	
23	90201-10119-00	WASHER, PLATE	2	
24	8K4-13119-00-00	SEAL, GREASE	1	

Not For Resale

www.SmallEngineDiscount.com

# AIR FILTER

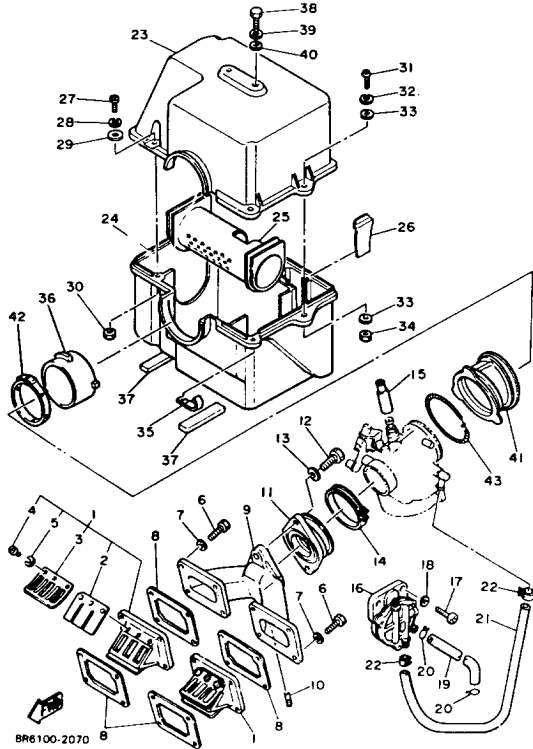


Ref. No.	Part Number	Description	Qty	Remarks
1	3R5-13610-00-00	REED VALVE ASSEMBLY	2	
2	3R5-13613-00-00	. REED, VALVE	2	
3	2X5-13616-00-00	. STOPPER, REED VALVE	4	
4	98580-03008-00	. SCREW, PAN HEAD	12	
5	92990-03100-00	. WASHER, SPRING (92901-03100)	12	
6	97011-06025-00	BOLT (97001-06025)	8	
7	92901-06600-00	WASHER	8	
8	80L-13621-01-00	GASKET, VALVE SEAT	4	
9	8R6-13565-00-00	JOINT, CARBURETOR	1	
10	824-13552-00-00	NOZZLE	2	
11	8H8-13555-01-00	MANIFOLD, INTAKE	1	
12	97001-08025-00	BOLT (1NV)	2	
13	92901-08600-00	WASHER	2	
14	90460-60084-00	CLAMP, HOSE	1	
15	8J5-26352-00-00	BOOT	1	
16	8K4-24410-00-00	FUEL PUMP ASSEMBLY	1	
17	92580-06020-00	SCREW, PAN HEAD	2	
18	92995-06100-00	WASHER, SPRING	2	
19	90445-10140-00	HOSE	1	
20	90467-09006-00	CLIP	2	
21	90446-11290-00	HOSE	1	
22	90467-11028-00	CLIP	2	
23	8K4-14431-00-00	SILENCER, INTAKE 1	1	
24	8K4-14441-01-00	SILENCER, INTAKE 2	1	
25	8L0-14466-00-00	PIPE	1	
26	8K4-14477-00-00	PLATE	2	
27	98580-05016-00	SCREW, PAN HEAD	3	
28	92990-05100-00	WASHER, SPRING	3	

CONTINUED ON NEXT FRAME ►

Not For Resale  
www.SmallEngineDiscount.com

# AIR FILTER

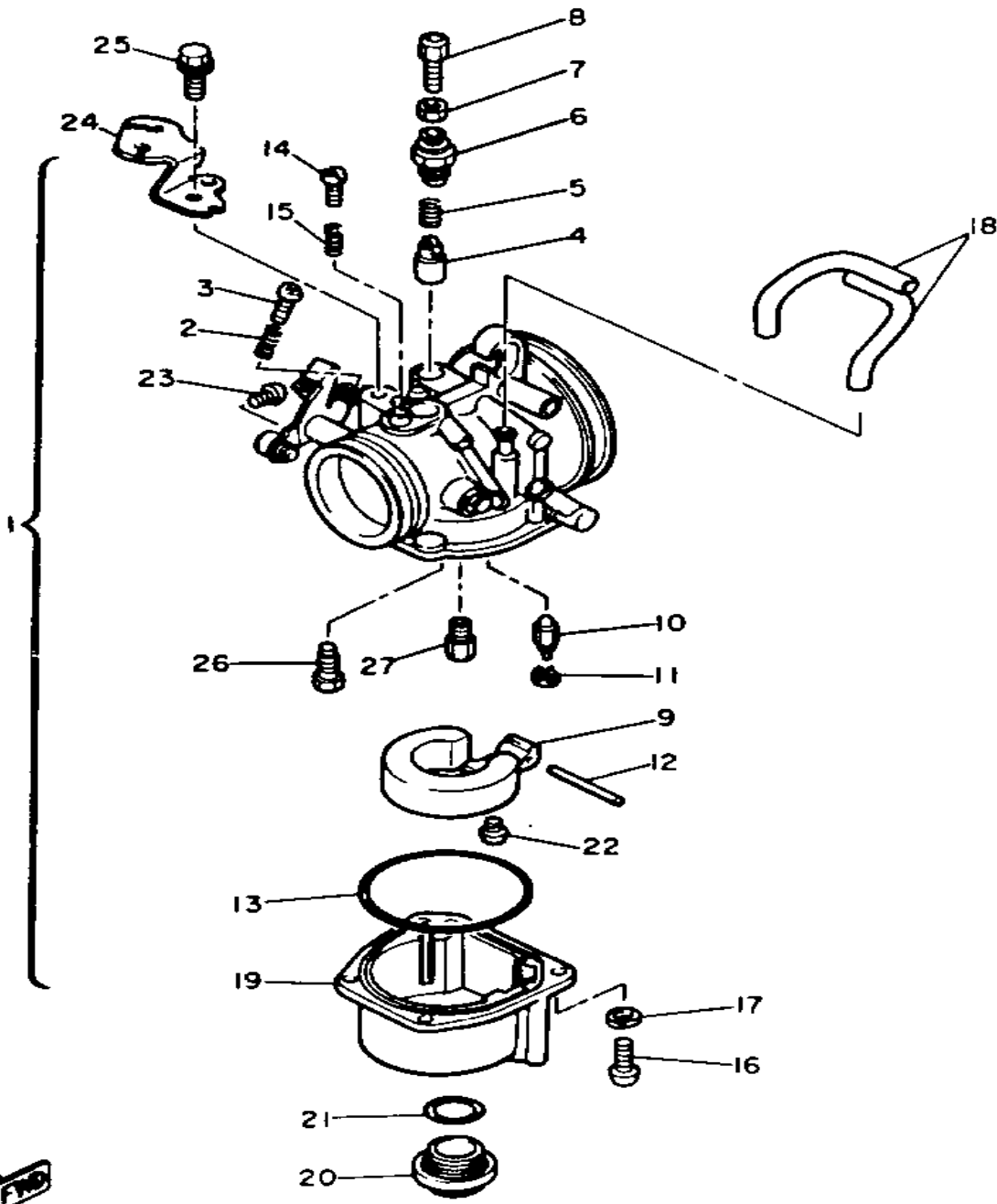


Ref. No.	Part Number	Description	Qty	Remarks
29	92901-05600-00	WASHER, PLATE .....	3	
30	95301-05700-00	NUT (95302-05700) .....	3	
31	98501-06025-00	SCREW, panhead (92501-06025) .....	2	
32	92995-06100-00	WASHER, SPRING .....	2	
33	92990-06200-00	WASHER .....	4	
34	95380-06600-00	NUT .....	2	
35	90462-06058-00	CLAMP .....	1	
36	8N8-14465-00-00	PIPE .....	1	
37	8K4-14425-00-00	DAMPER 1 .....	2	
38	97313-06016-00	BOLT, HEXAGON .....	2	
39	92995-06100-00	WASHER, SPRING .....	2	
40	90201-062A8-00	WASHER, PLATE .....	2	
41	8N8-14453-01-00	JOINT, AIR CLEANER 1 .....	1	
42	90506-06083-00	SPRING, TENSION .....	1	
43	90460-75020-00	CLAMP, HOSE .....	1	

Not For Resale  
www.SmallEngineDiscount.com

# CARBURETOR

Ref. No.	Part Number	Description	Qty	Remarks
1	8R6-14101-01-00	CARBURETOR ASSEMBLY 1	1	
2	90501-12229-00	. SPRING, COMPRESSION	1	
3	90157-04010-00	. SCREW, PAN HEAD	1	
4	371-14993-60-00	. PLUNGER, STARTER	1	
5	90501-08443-00	. SPRING, COMPRESSION	1	
6	8A6-14969-00-00	. CAP	1	
7	8E7-14161-00-00	. NUT, CABLE ADJUSTING	1	
8	8A6-14977-00-00	. SHAFT, STARTER LEVER	1	
9	8G6-14985-01-00	. FLOAT	1	
10	8E7-14546-01-00	. VALVE, NEEDLE	1	
11	663-14159-00-00	. CLIP	1	
12	663-14548-00-00	. PIN, FLOAT ARM	1	
13	8G6-14984-00-00	. GASKET, FLOAT CHAMBER	1	
14	8G6-14521-00-00	. SCREW, ADJUST	1	
15	90501-08214-00	. SPRING, COMPRESSION	1	
16	ø97-60204-11-40	. SCREW, pan head (98502-04040)	4	
17	92901-04100-00	. WASHER, SPRING	4	
18	8G6-14994-01-00	. NET, FILTER	2	
19	8K4-14980-00-00	. BODY, FLOAT CHAMBER	1	
20	8M7-14992-00-00	. ROD	1	
21	93210-19309-00	. O-RING	1	
22	98701-04008-00	. SCREW, FLAT HEAD	1	
23	(8F3-14591-00-00)	SCREW	1	
24	8R6-14572-00-00	. PLATE, STAY	1	
25	8G6-14592-00-00	. SCREW	1	
26	8G6-14948-24-00	. JET # 2	1	
27	8A6-14516-15-00	. JET, main (#115)	1	U.R.
	8A6-14516-20-00	. JET, MAIN #1 0	1	U.R.



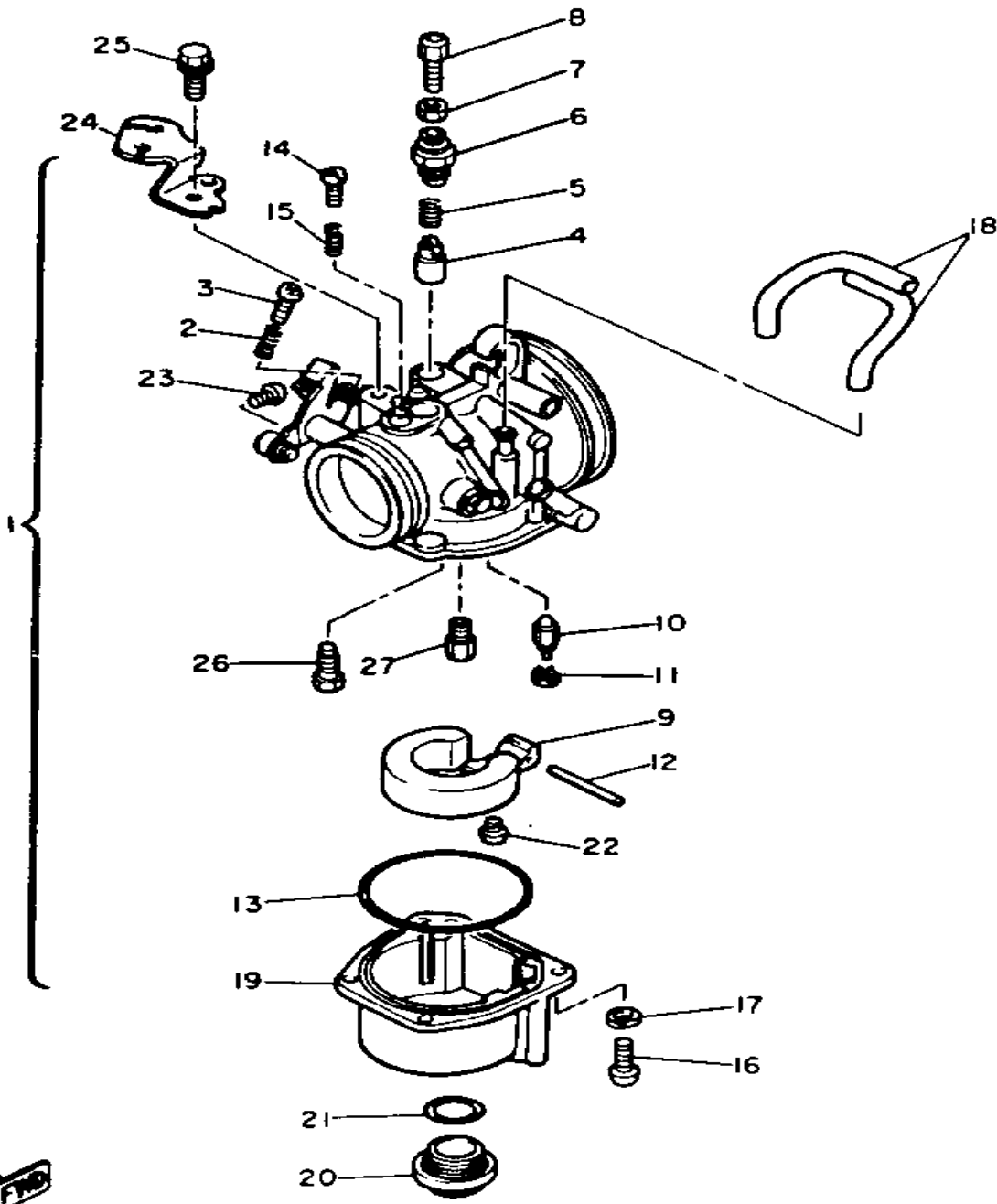
BR6100-2080

CONTINUED ON NEXT FRAME ►

Not For Resale  
[www.SmallEngineDiscount.com](http://www.SmallEngineDiscount.com)

# CARBURETOR

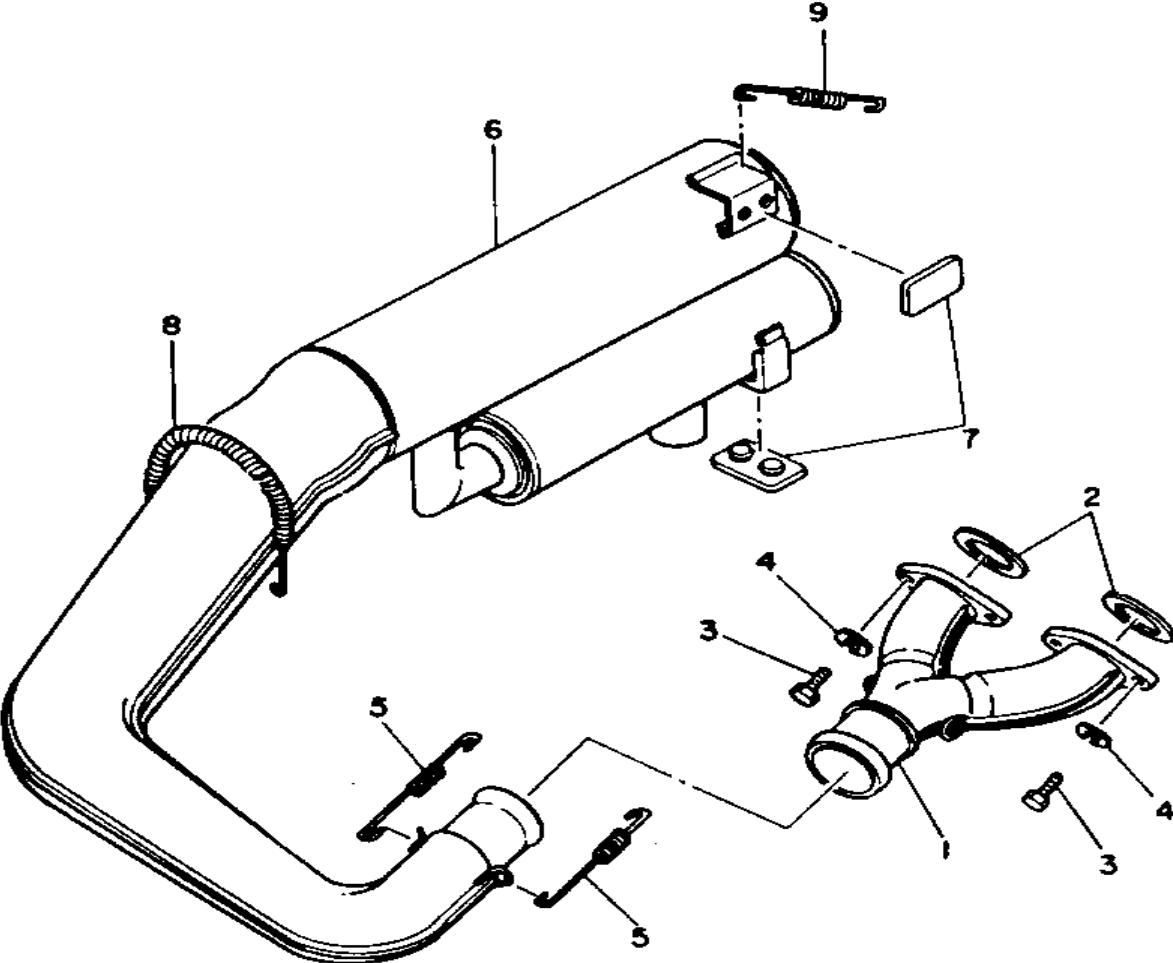
Ref. No.	Part Number	Description	Qty	Remarks
27	8A6-14516-25-00	. JET, MAIN #1 5 .....	1	U.R.
	8A6-14516-30-00	. JET, MAIN #1 0 .....	1	U.R.
	8A6-14516-35-00	. JET, MAIN #1 5 .....	1	U.R.
	8A6-14516-40-00	. JET, MAIN #1 0 .....	1	U.R.
	8A6-14516-45-00	. JET, MAIN #1 5 .....	1	U.R.
	8A6-14516-50-00	. JET, MAIN #1 0 .....	1	U.R. STD
	8A6-14516-55-00	. JET, MAIN #1 5 .....	1	U.R.



BR6100-2080

Not For Resale  
[www.SmallEngineDiscount.com](http://www.SmallEngineDiscount.com)

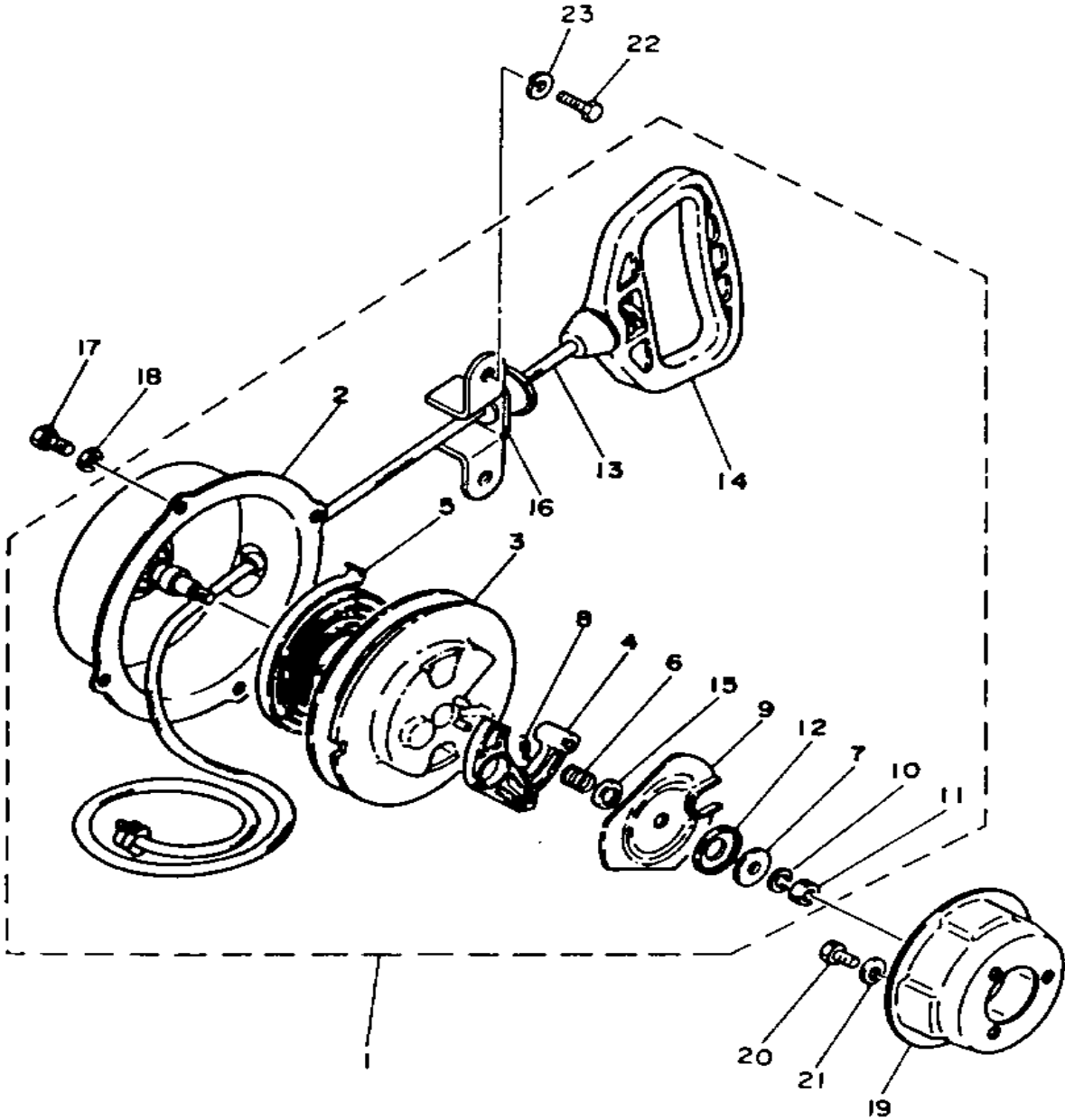
# EXHAUST



Ref. No.	Part Number	Description	Qty	Remarks
1	8K4-14610-00-00	EXHAUST PIPE ASSEMBLY 1	1	
2	821-14613-01-00	GASKET, EXHAUST PIPE	2	
3	97313-08020-00	BOLT, HEXAGON	4	
4	92990-08100-00	WASHER	4	
5	90506-20272-00	SPRING, TENSION	2	
6	8L0-14710-01-00	MUFFLER ASSEMBLY L	1	
7	8A5-14728-02-00	PROTECTOR, MUFFLER 2	2	
8	90506-14207-00	SPRING, TENSION	1	
9	90506-16212-00	SPRING, TENSION	1	

  
8K4100-0090

# STARTER

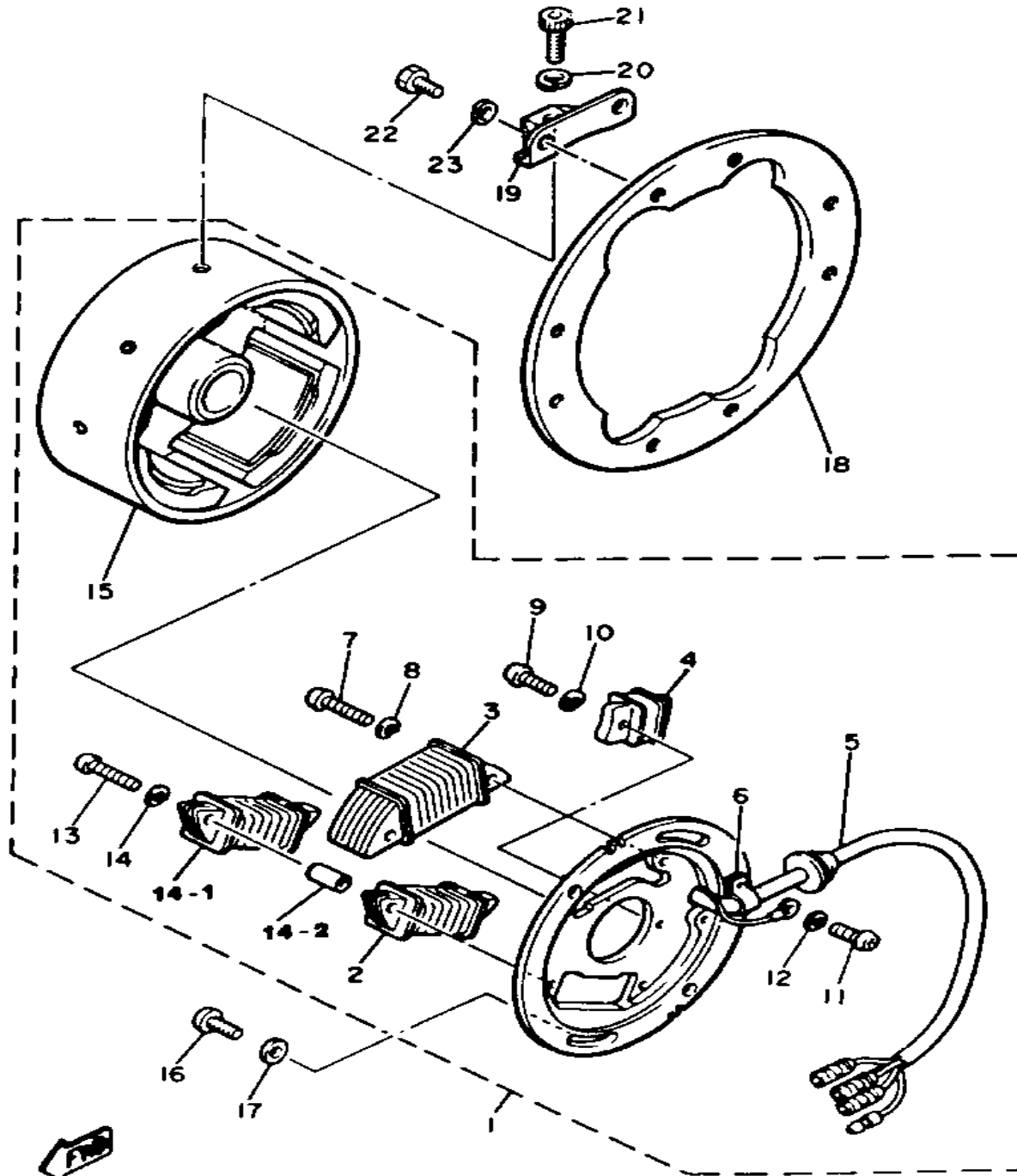


Ref. No.	Part Number	Description	Qty	Remarks
1	8K4-15710-00-00	STARTER ASSEMBLY	1	
2	8H8-15711-00-00	. CASE, STARTER	1	
3	8F3-15714-01-00	. DRUM, SHEAVE	1	
4	8F3-15741-01-00	. PAWL, DRIVE	1	
5	8Y0-15713-00-00	. SPRING, STARTER	1	
6	8F3-15715-00-00	. SPRING, FRICTION	1	
7	8F3-15739-01-00	. WASHER, THRUST	1	
8	8F3-15734-00-00	. SPRING, RETURN	1	
9	8F3-15716-03-00	. PLATE, DRIVE	1	
10	92995-06100-00	. WASHER, SPRING	1	
11	95380-06700-00	. NUT	1	
12	8G5-15739-00-00	. WASHER, THRUST	1	
13	857-15751-00-00	. WIRE, STARTER	1	
14	8F3-15755-00-00	. HANDLE, STARTER	1	
15	82M-15779-00-00	. COVER	1	
16	8K4-15788-00-00	. HOLDER, HANDLE	1	
17	97006-06014-00	BOLT	4	
18	92906-06100-00	WASHER, SPRING	4	
19	8H8-15723-01-00	PULLEY, STARTER	1	
20	97313-08020-00	BOLT, HEXAGON	3	
21	92990-08100-00	WASHER	3	
22	97026-06012-00	BOLT	2	
23	92906-06100-00	WASHER, SPRING	2	

 8K4100-0100

Not For Resale  
[www.SmallEngineDiscount.com](http://www.SmallEngineDiscount.com)

# GENERATOR



BR6100-2110

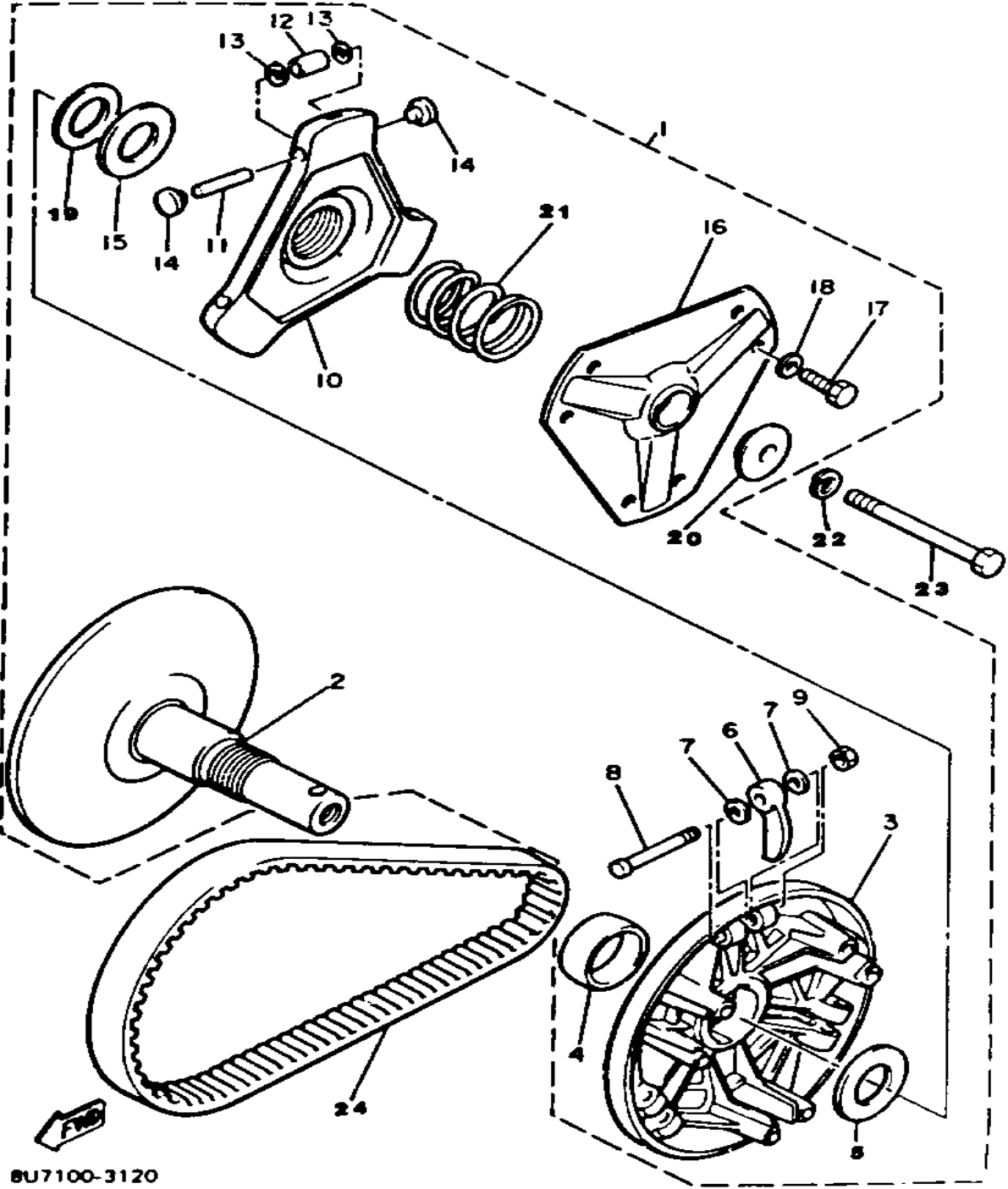
Ref. No.	Part Number	Description	Qty	Remarks
1	8V8-85500-20-00	CDI MAGNETO ASSEMBLY ...	1	
2	86M-85511-00-00	. COIL, SOURCE .....	1	
3	8G8-85513-20-00	. COIL, LIGHTING 1 .....	1	
4	82M-85580-20-00	. COIL, PULSER .....	1	
5	8W0-85515-20-00	LEAD WIRE ASSEMBLY (8V0-85515-20) .....	1	
6	445-81328-20-00	. CLAMP .....	1	
7	98501-05035-00	. SCREW, PAN HEAD .....	2	
8	92990-05100-00	. WASHER, SPRING .....	2	
9	98506-04018-00	. SCREW, PAN HEAD .....	2	
10	92901-04100-00	. WASHER, SPRING .....	2	
11	98580-04008-00	. SCREW, PAN HEAD .....	1	
12	92901-04100-00	. WASHER, SPRING .....	1	
	98501-05018-00	. SCREW, PAN HEAD .....	2	
14	92990-05100-00	. WASHER, SPRING .....	2	
15	8J9-85550-20-00	. ROTOR ASSEMBLY (8K1-85550-20) .....	1	
16	98903-06014-00	SCREW, BIND .....	2	
17	90201-06043-00	WASHER, PLATE .....	2	
18	8H8-81891-00-00	GEAR, RING .....	1	
19	8H8-81895-00-00	STAY, RING GEAR .....	4	
20	92990-08100-00	WASHER .....	4	
21	90110-08028-00	BOLT, HEX SKT HEADSOCKET HEAD .....	4	
22	97013-06012-00	BOLT .....	8	
23	92995-06100-00	WASHER, SPRING .....	8	
14-1	82M-85514-20-00	. COIL, LIGHTING 2 .....	1	
14-2	8T0-85519-20-00	. SPACER .....	2	

Not For Resale

www.SmallEngineDiscount.com



# PRIMARY SHEAVE



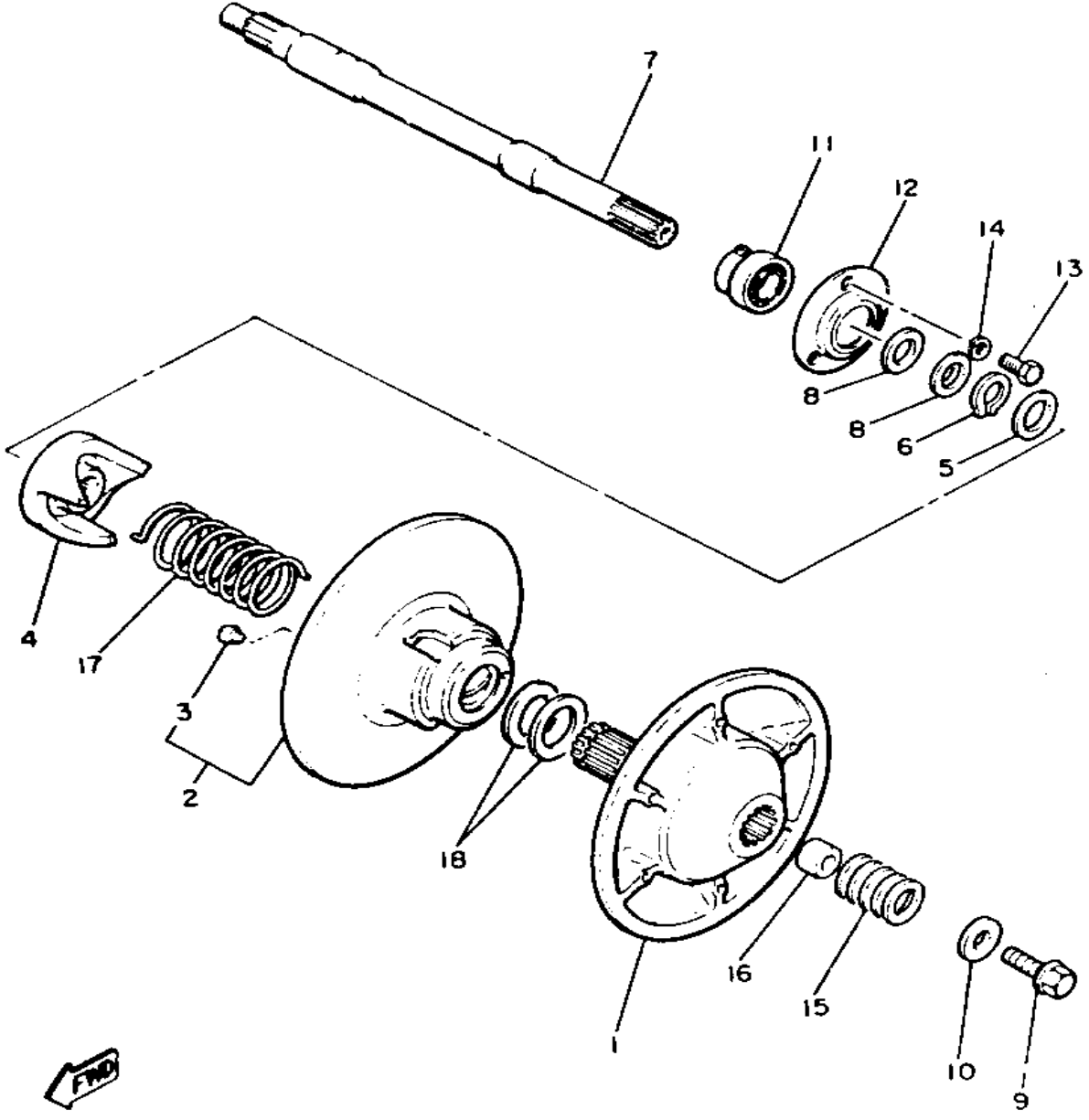
8U7100-3120

Ref. No.	Part Number	Description	Qty	Remarks
1	8U7-17601-00-00	PRIMARY SHEAVE ASS'Y	1	
2	8U7-17610-00-00	. PRI FIXED SHEAVESHEAVE COMP	1	
3	8U7-17621-00-00	. SHEAVE, PRI SLIDING	1	
4	8U7-17625-00-00	. BUSH COMET	1	
5	(8U7-17639-00-00)	STOPPER	1	
6	8U7-17633-10-00	. WEIGHT (8U7-17633-11-00)	3	Alt. Prt. Comet #2.209940
	8U7-17633-10-00	. WEIGHT (8U7-17633-11-00)	3	
7	8U7-17649-00-00	. SPACER	6	
8	8U7-17616-00-00	. BOLT WEIGHT COMET	3	
9	8U7-17668-00-00	. NUT	3	
10	8U7-17627-00-00	. SPIDER	1	
11	8U7-17636-00-00	. PIN	3	
12	8U7-17645-00-00	. COLLAR	3	
13	8U7-17658-00-00	. WASHER, BELLEVILLE	6	
14	8U7-17653-00-00	. SLIDER	6	
15	8U7-17654-00-00	. SPACER 1	1	
16	8U7-17630-00-00	. PRI SHV CAPCAP COMP	1	
17	8U7-17617-00-00	. BOLT CAP COMET	6	
18	8U7-17646-00-00	. WASHER, LOCK	6	
19	8U9-17687-00-00	. SHIM	1	Comet #207398
20	8U7-17648-00-00	. WASHER	1	
21	8U7-17643-00-00	. SPRING	1	
	8U7-17643-00-00	. SPRING	1	Alt. Part Comet #209935
22	90204-13010-00	WASHER, SPRING	1	
23	8U7-17647-01-00	BOLT	1	
24	8F2-17641-01-00	V-BELT	1	

Not For Resale

www.SmallEngineDiscount.com

# SECONDARY SHEAVE

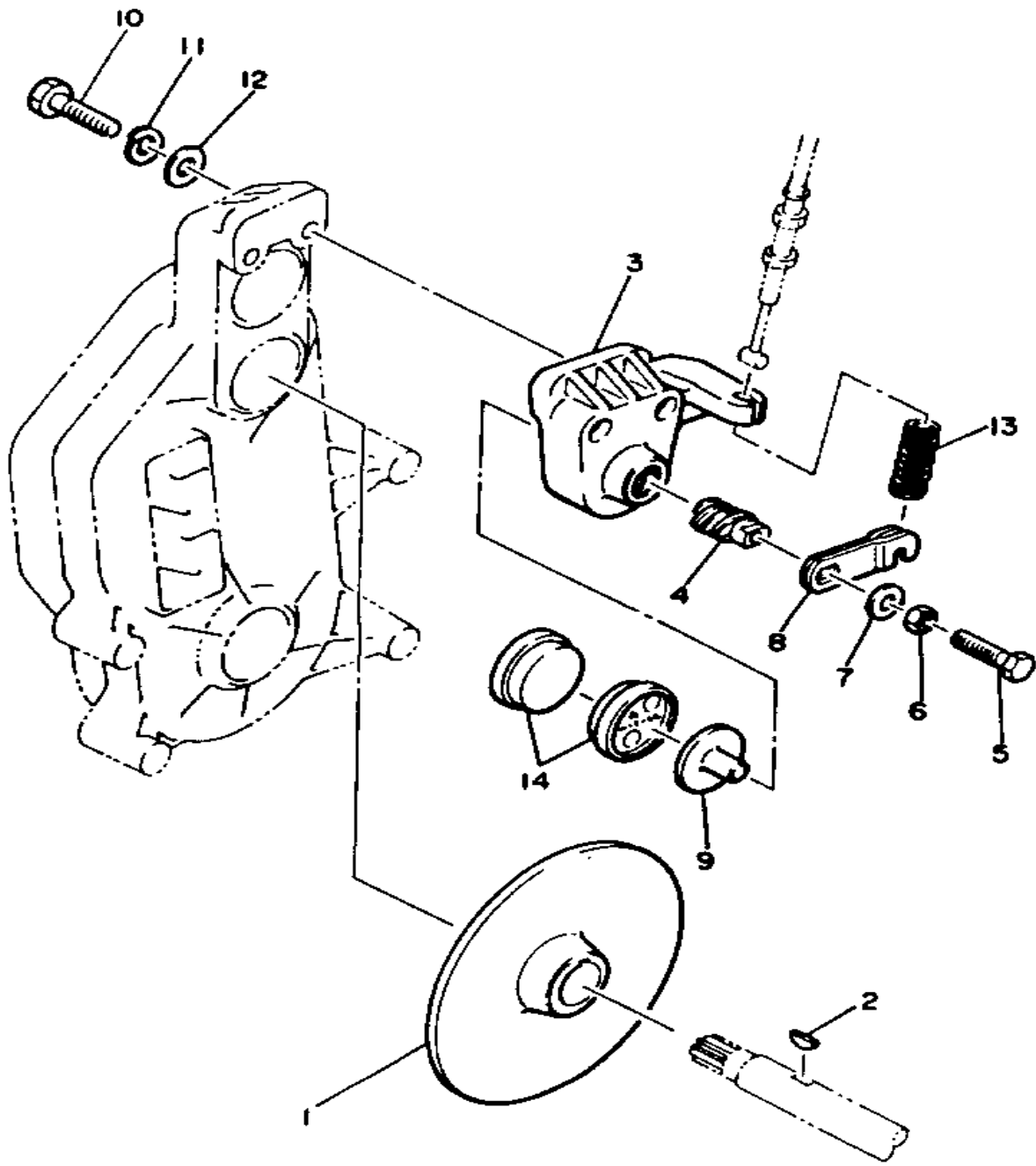


Ref. No.	Part Number	Description	Qty	Remarks
1	80R-17660-01-00	SEC. FIXED SHEAVECOMP	1	
2	80R-17670-01-00	SEC.SLIDING SHEAVE	1	
3	8X6-17688-00-00	. SHOE, RAMP	3	
4	8U7-17684-01-00	SEAT, SEC SPRING	1	
5	90201-34684-00	WASHER, PLATE	1	
6	93440-34170-00	CIRCLIP	1	
7	82M-17681-00-00	SHAFT, SECONDARY	1	
8	90201-252F1-00	WASHER, PLATE (T0.5)	1	U.R.
	90201-25526-00	WASHER, PLATE (T2.0)	1	U.R.
	90201-25527-00	WASHER, PLATE (T1.0)	1	U.R.
9	90105-14175-00	BOLT, WASHER BASED	1	
10	90201-140A6-00	WASHER, PLATE	1	
11	8L8-17678-00-00	BEARING	1	
12	8K4-47631-01-00	HOUSING, BEARING	1	
13	97011-08016-00	BOLT	3	
14	92990-08100-00	WASHER	3	
15	90201-222F0-00	WASHER, PLATE (T0.5)	1	U.R.
	90201-225A4-00	WASHER, PLATE (T1.0)	5	U.R.
16	90387-147A8-00	COLLAR	1	
17	90508-50571-00	SPRING, TORSION	1	
18	90201-345G2-00	WASHER, PLATE	2	

FWD  
8V8110-4131

Not For Resale  
www.SmallEngineDiscount.com

# BRAKE

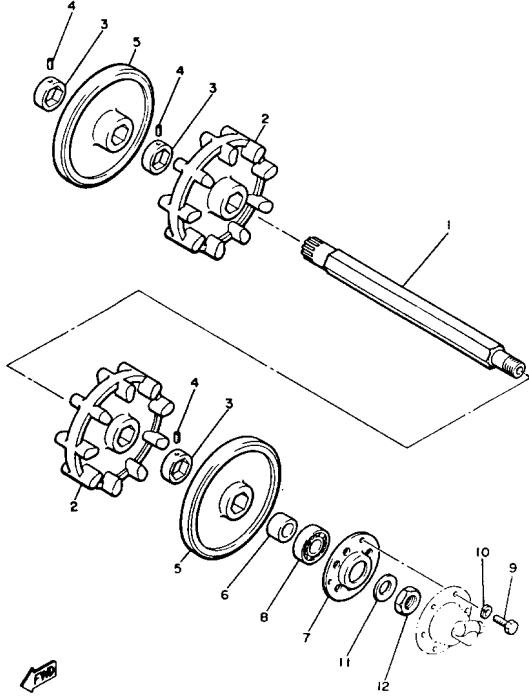


Ref. No.	Part Number	Description	Qty	Remarks
1	8L8-25831-00-00	DISC, BRAKE (R) .....	1	
2	8J7-25848-00-00	KEY .....	1	
3	8K4-25731-00-00	BODY, CALIPER 1 .....	1	
4	878-25728-00-00	CAM .....	1	
5	90101-08499-00	BOLT .....	1	
6	95303-08700-00	NUT .....	1	
7	92901-08600-00	WASHER .....	1	
8	878-25726-00-00	LEVER, BRAKE .....	1	
9	878-25733-00-00	PLATE, BACK UP .....	1	
10	97313-10055-00	BOLT, HEXAGON (97322-10055)	2	
11	92990-10100-00	WASHER, SPRING .....	2	
12	92990-10600-00	WASHER, PLATE .....	2	
13	90501-23337-00	SPRING, COMPRESSION .....	1	
14	84X-25811-01-00	PAD, CALIPER 2 .....	1	U.R.

Not For Resale

[www.SmallEngineDiscount.com](http://www.SmallEngineDiscount.com)

# TRACK DRIVE 1



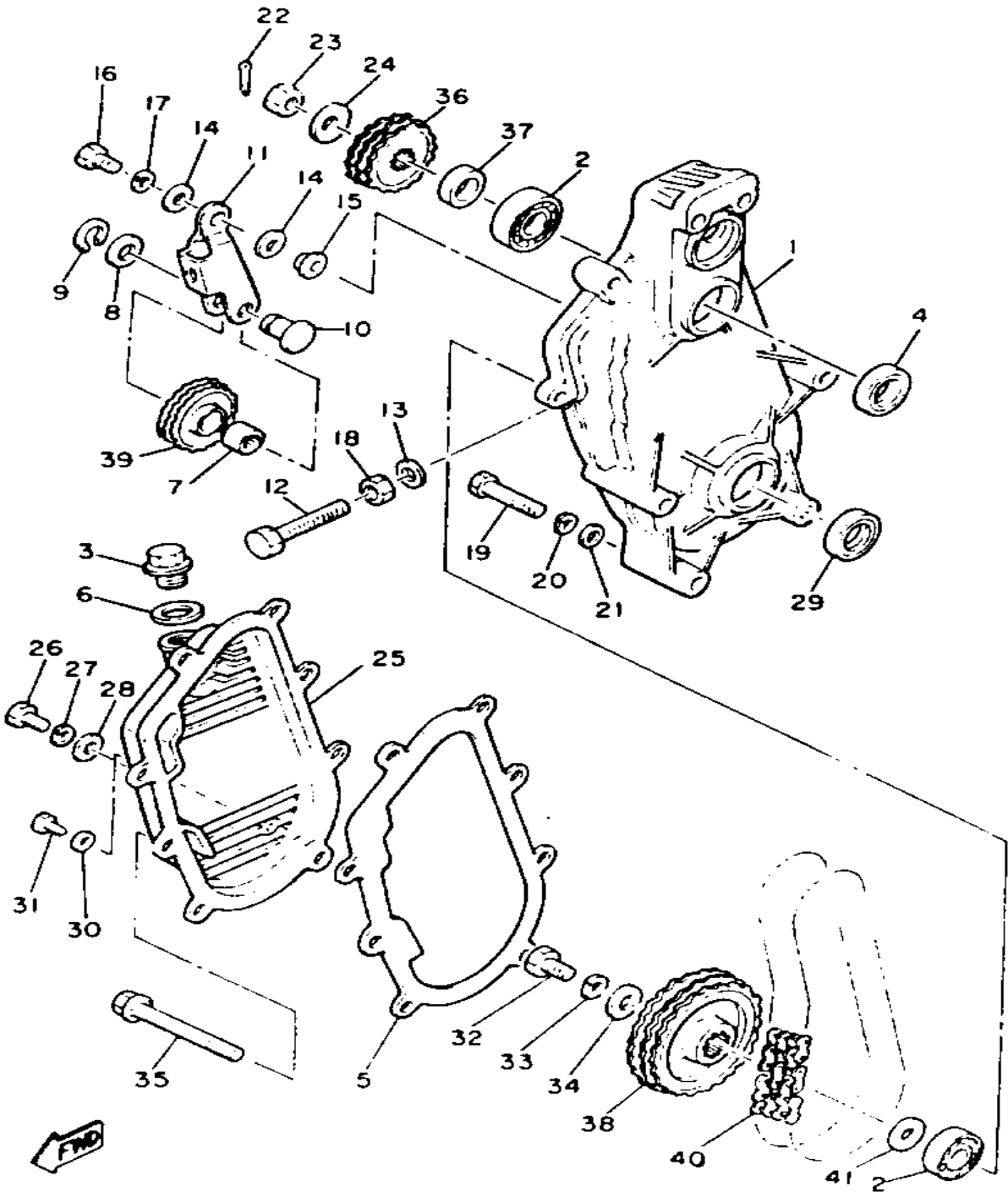
8R6100-2150

Ref. No.	Part Number	Description	Qty	Remarks
1	8L0-W4751-00-00	AXLE, FRONT .....	1	
2	8R6-W4753-01-00	WHEEL, SPROCKET 1 .....	2	
3	8K1-47526-00-00	COLLAR .....	3	
4	90113-06039-00	BOLT, SET .....	3	
5	8L9-47534-01-00	WHEEL, GUIDE 1 .....	2	
6	90387-220A6-00	COLLAR .....	1	
7	8K4-47551-00-00	HOUSING, FRONT AXLE .....	1	
8	93306-00420-00	BEARING (B6004) .....	1	
9	97011-08016-00	BOLT .....	3	
10	92990-08100-00	WASHER .....	3	
11	90208-22001-00	WASHER, CONICAL SPRING ..	1	
12	90170-22094-00	NUT .....	1	

Not For Resale

[www.SmallEngineDiscount.com](http://www.SmallEngineDiscount.com)

# TRACK DRIVE 2

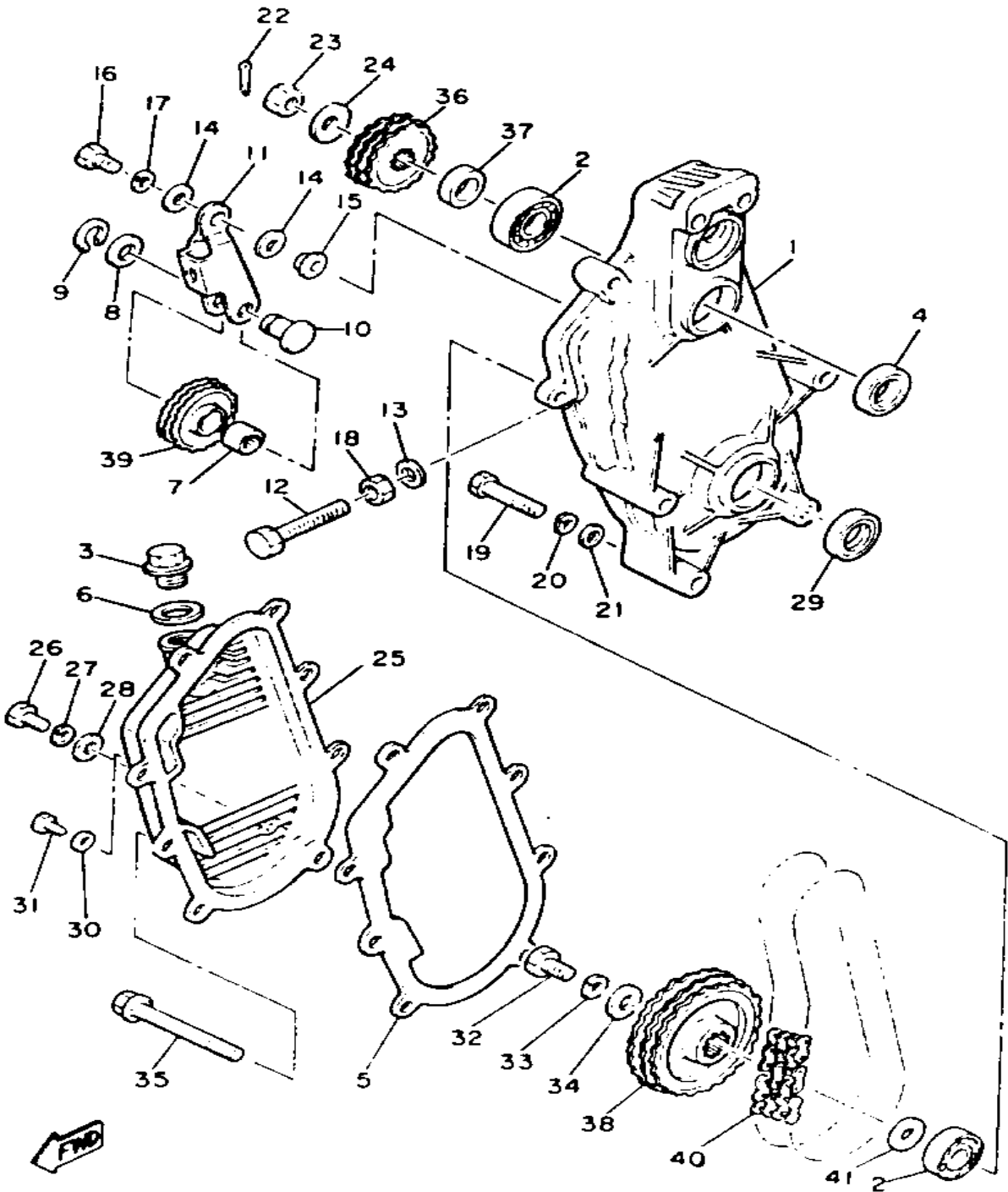


Ref. No.	Part Number	Description	Qty	Remarks
1	3YJ-15371-00-00	. BREATHER .....	1	
	8L9-47541-01-00	. HOUSING, CHAIN .....	1	
	8L9-47542-09-00	. BOLT .....	1	
	90105-08447-00	. BOLT, WASHER BASED .....	1	
	90201-094G1-00	. WASHER, PLATE .....	1	
	99999-02203-00	HOUSING, CHAIN (8L9-47541-00-00) .....	1	
2	93306-20570-00	BEARING .....	2	
3	90340-22047-00	PLUG, STRAIGHT SCREW .....	1	
4	93102-27204-00	OIL SEAL .....	1	
5	86M-47592-00-00	GASKET .....	1	
6	90430-22144-00	GASKET .....	1	
7	93315-21227-00	BEARING .....	1	
8	90201-12631-00	WASHER, PLATE .....	1	
9	99009-12400-00	CIRCLIP .....	1	
10	90249-12135-00	PIN, SPEC'L SHAPE .....	1	
11	8K4-47613-00-00	HOLDER .....	1	
12	90101-10357-00	BOLT .....	1	
13	90210-10004-00	WASHER, SEAL .....	1	
14	92990-08200-00	WASHER, PLAIN .....	2	
15	90387-08301-00	COLLAR .....	1	
16	97013-08025-00	BOLT .....	1	
17	92990-08100-00	WASHER .....	1	
18	95301-10700-00	NUT (98801-10300) .....	1	
19	97021-08065-00	BOLT .....	2	
20	92990-08100-00	WASHER .....	2	
21	92901-08600-00	WASHER .....	2	
22	91401-30030-00	PIN, COTTER .....	1	
23	90170-20211-00	NUT .....	1	

CONTINUED ON NEXT FRAME ►

Not For Resale  
www.SmallEngineDiscount.com

# TRACK DRIVE 2

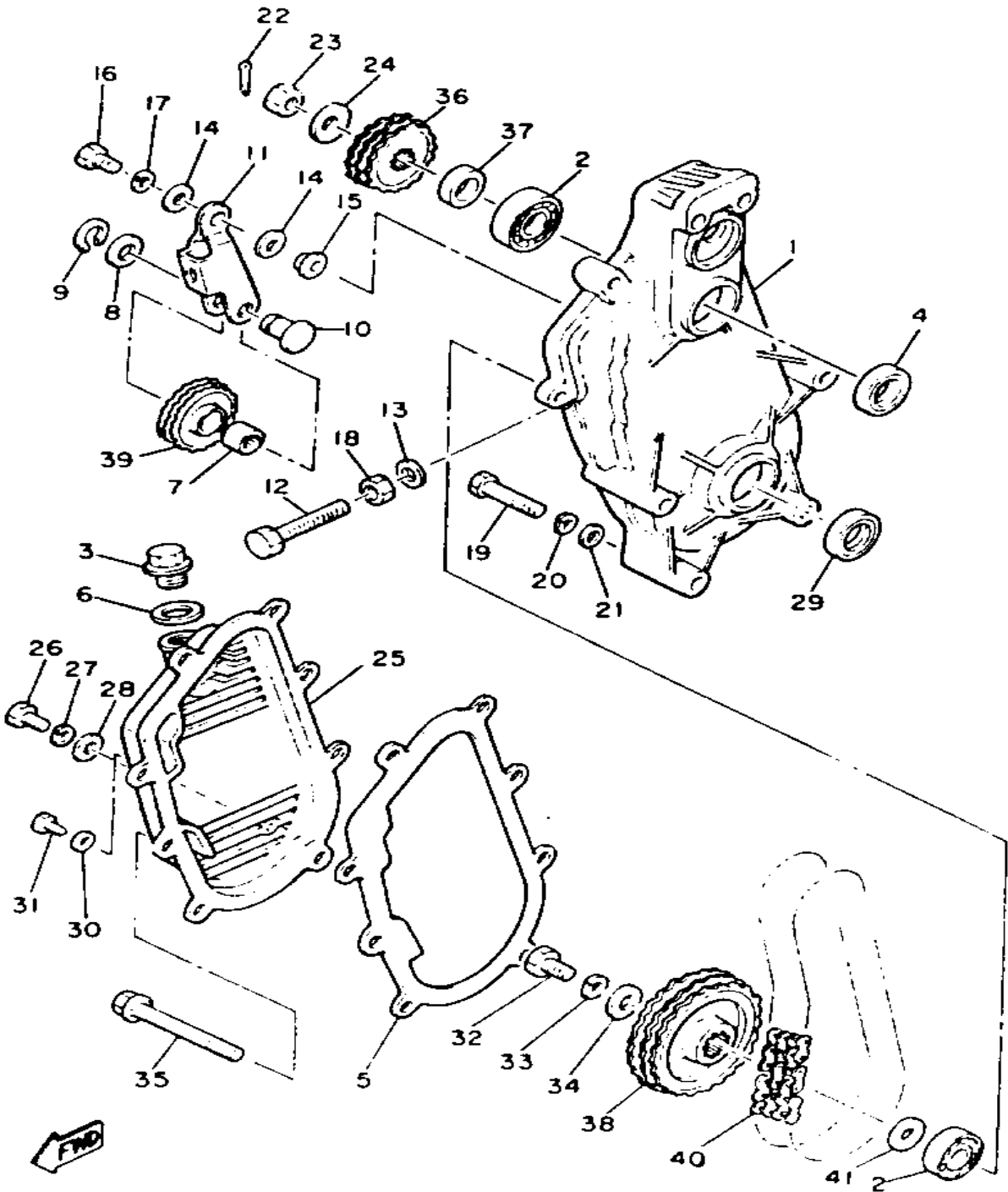


Ref. No.	Part Number	Description	Qty	Remarks
24	90208-20008-00	WASHER, CONICAL SPRING ..	1	
25	8L9-47543-00-00	CAP, HOUSING .....	1	
26	97021-06030-00	BOLT .....	6	
27	92995-06100-00	WASHER, SPRING .....	6	
28	92901-06600-00	WASHER .....	6	
29	93102-25081-00	OIL SEAL .....	1	
30	90210-06006-00	WASHER, SEAL .....	1	
31	97011-06010-00	BOLT .....	1	
32	97011-10025-00	BOLT .....	1	
33	92990-10100-00	WASHER, SPRING .....	1	
34	90201-10322-00	WASHER, PLATE .....	1	
35	95811-08090-00	BOLT, FLANGE (95822-08090) .	2	
36	829-17682-00-00	SPRKT, CHAIN DR 20T (20T) ..	1	Alt. Part
	829-17682-50-00	SPRKT, CHAIN DR 15T (878-17682-50) (15T) .....	1	Alt. Part
	829-17682-60-00	SPRKT, CHAIN DR 16T (16T) ..	1	Alt. Part
	829-17682-70-00	SPRKT, CHAIN DR 17T (17T) ..	1	U.R. STD
	829-17682-80-00	SPRKT, CHAIN DR 18T (18T) ..	1	Alt. Part
	829-17682-90-00	SPRKT, CHAIN DR 19T (878-17682-90) (19T) .....	1	Alt. Part
	8U9-17693-10-00	SPROCKET, CHAIN DR (878-17693-10) (21T) .....	1	Alt. Part
	8U9-17693-20-00	SPROCKET, CHAIN DR (878-17693-20) (22T) .....	1	Alt. Part
37	90387-25798-00	COLLAR .....	1	
38	878-47548-90-00	SPROCKET, CHN DRVN (29T) .	1	Alt. Part
	8U9-47587-00-00	SPROCKET, CHN DRVN (31T) .	1	U.R. STD
	8U9-47587-10-00	SPROCKET, CHN DRVN (888-47587-00) (33T) .....	1	Alt. Part
39	8L0-47612-00-00	WHEEL .....	1	

CONTINUED ON NEXT FRAME ►

Not For Resale  
www.SmallEngineDiscount.com

# TRACK DRIVE 2



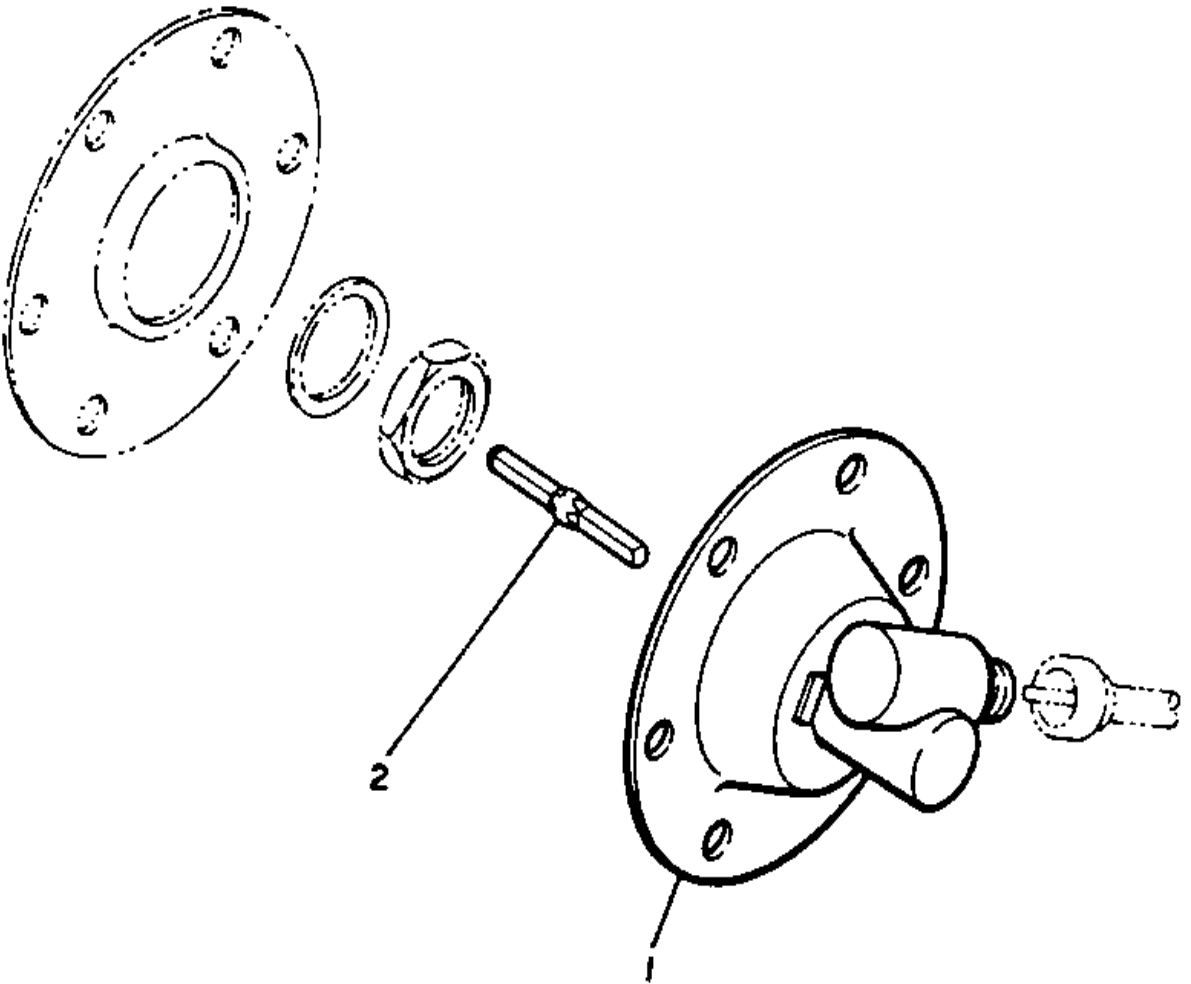
Ref. No.	Part Number	Description	Qty	Remarks
40	94850-35068-00	CHAIN 68 (RS35V-368L) .....	1	Alt. Part
	94850-35070-00	CHAIN 70 (RS35V-3 70L) .....	1	Alt. Part
	94890-03064-00	CHAIN 8 8 .....	1	Alt. Part
	94890-05066-00	CHAIN .....	1	U.R. STD
41	90201-25526-00	WASHER, PLATE (T2.0) .....	1	

Not For Resale

www.SmallEngineDiscount.com

# SPEEDOMETER - GEAR UNIT

Ref. No.	Part Number	Description	Qty	Remarks
1	8L9-47700-00-00	METER GEAR HOUSING COMP	1	
2	8K4-47715-00-00	JOINT .....	1	

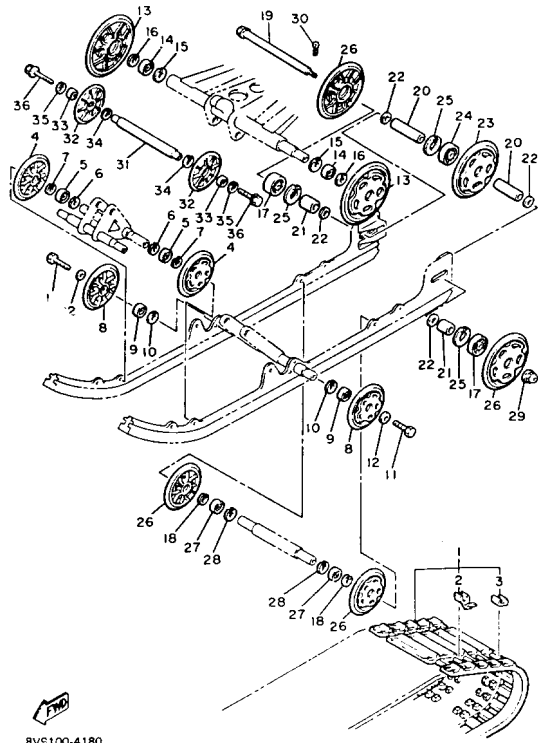


Not For Resale

[www.SmallEngineDiscount.com](http://www.SmallEngineDiscount.com)



# TRACK SUSPENSION 1

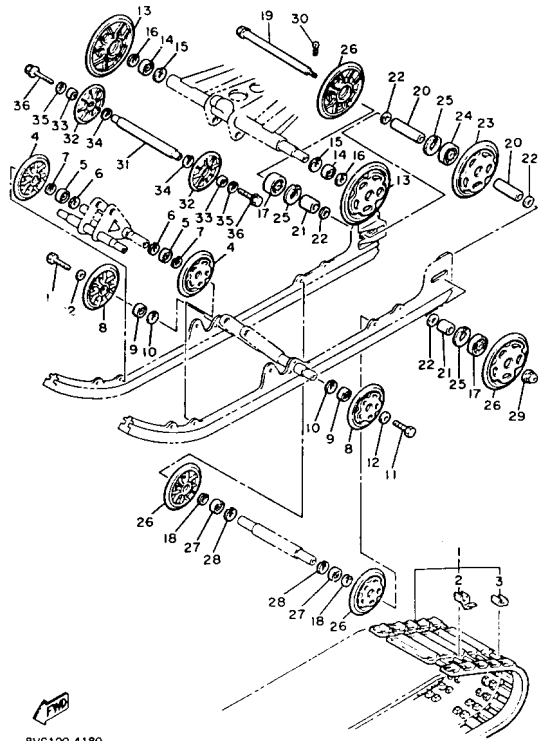


Ref. No.	Part Number	Description	Qty	Remarks
1	87F-47110-01-00	TRACK ASSEMBLY .....	1	
2	8A5-47113-00-00	. PLATE, REINFORCEMENT ..	48	
3	8G9-47115-00-00	. METAL, SLIDE .....	48	
4	87M-47320-00-00	SUSPENSION WHEEL COMP. .	4	
5	93306-00416-00	BEARING (B6004RS) .....	2	
6	99009-42500-00	CIRCLIP .....	2	
7	99009-20400-00	CIRCLIP .....	2	
8	87U-47320-00-00	SUSPENSION WHEEL COMP. .	2	
9	93306-00416-00	BEARING (B6004RS) .....	2	
10	99009-42500-00	CIRCLIP .....	2	
11	90109-08559-00	BOLT .....	2	
12	90201-08681-00	WASHER, PLATE .....	2	
13	8U7-47320-00-00	SUSPENSION WHEEL COMP. .	2	
14	93306-00416-00	BEARING (B6004RS) .....	2	
15	99009-42500-00	CIRCLIP .....	2	
16	99009-20400-00	CIRCLIP .....	2	
17	93306-00416-00	BEARING (B6004RS) .....	2	
18	99009-20400-00	CIRCLIP .....	2	
19	8L8-47520-01-00	REAR AXLE COMP. (8L8-47520-02-00) .....	1	
20	90387-202H9-00	COLLAR .....	2	
21	90387-203H0-00	COLLAR .....	2	
22	90201-20279-00	WASHER, PLATE .....	4	
23	8K2-47530-00-00	GUIDE WHEEL COMP. ....	1	
24	93306-20417-00	BEARING (B62042RS) .....	1	
25	99009-47500-00	CIRCLIP .....	3	
26	8M6-47530-00-00	GUIDE WHEEL COMP. ....	2	
27	93306-20417-00	BEARING (B62042RS) .....	2	
28	99009-47500-00	CIRCLIP .....	2	

CONTINUED ON NEXT FRAME ►

Not For Resale  
[www.SmallEngineDiscount.com](http://www.SmallEngineDiscount.com)

# TRACK SUSPENSION 1

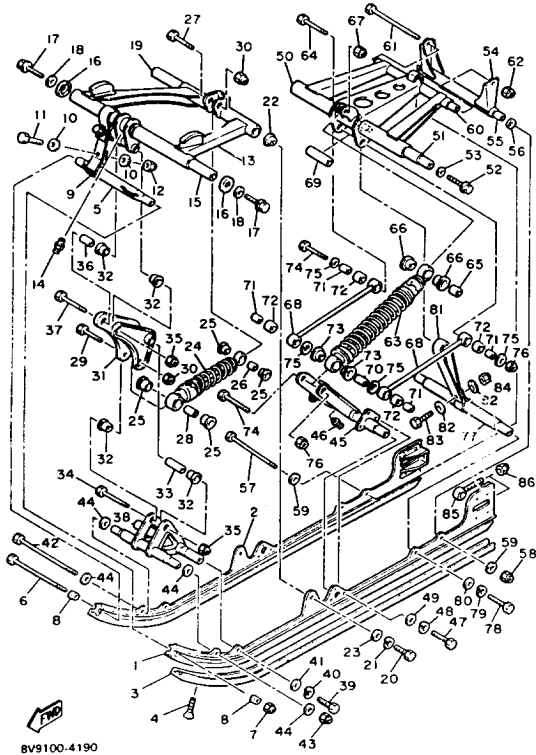


Ref. No.	Part Number	Description	Qty	Remarks
29	95601-14200-00	NUT, U .....	1	
30	91401-30020-00	PIN, COTTER .....	1	
31	8L1-47461-00-00	IDLER .....	1	
32	8H8-47320-00-00	SUSPENSION WHEEL COMP. .	2	
33	93306-00416-00	BEARING (B6004RS) .....	2	
34	99009-42500-00	CIRCLIP .....	2	
35	99009-20400-00	CIRCLIP .....	2	
36	95816-08018-00	BOLT, FLANGE .....	2	

Not For Resale

[www.SmallEngineDiscount.com](http://www.SmallEngineDiscount.com)

# TRACK SUSPENSION 2

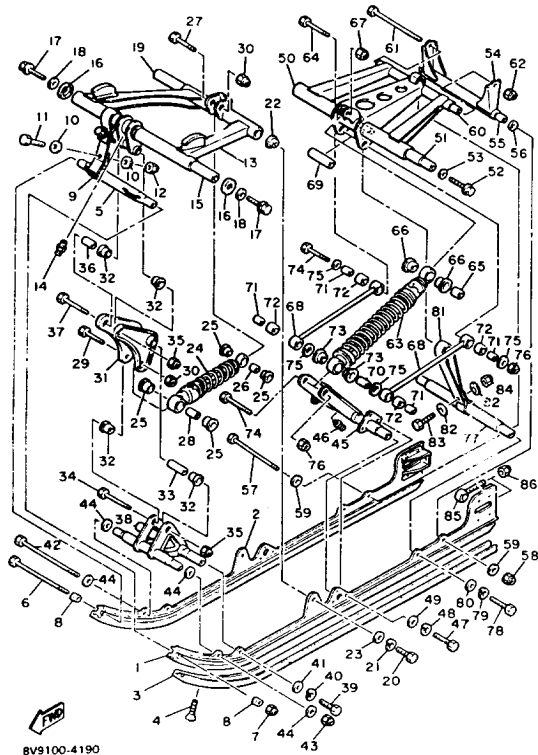


Ref. No.	Part Number	Description	Qty	Remarks
1	88R-47411-02-00	FRAME, SLIDING 1	1	
2	88R-47412-02-00	FRAME, SLIDING 2	1	
3	8R9-47421-00-00	RUNNER, SLIDING 1	2	
4	90151-06010-00	SCREW, COUNTERSUNK	2	
5	8U7-47415-00-00	BRACKET 1	1	
6	97022-08250-00	BOLT	1	
7	95712-08300-00	NUT, LOCK	1	
8	8U7-47359-00-00	WASHER	2	
9	8U7-47495-00-00	STOPPER 1	2	
10	90201-06407-00	WASHER, PLATE (90201-06747-00)	8	
11	97011-06025-00	BOLT (97001-06025)	4	
12	95701-06300-00	NUT, NYLON	4	
13	8U7-47331-00-00	ARM, PIVOT 1	1	
14	93700-06004-00	NIPPLE, GREASE	1	
15	885-47465-02-00	SHAFT 1	1	
16	8U7-47341-00-00	SPACER	2	
17	95816-10035-00	BOLT, FLANGE	2	
18	90201-10669-00	WASHER, PLATE	2	
19	82M-47485-01-00	SHAFT 3	1	
20	97013-10030-00	BOLT (8J7) (97303-10030)	2	
21	92990-10100-00	WASHER, SPRING	2	
22	90387-105G6-00	COLLAR	2	
23	92990-10200-00	WASHER, PLAIN	2	
24	8V9-47481-00-00	SHOCK ABSORBER 2	1	
25	90387-123G4-00	COLLAR	4	
26	90387-08775-00	COLLAR	1	
27	90101-08557-00	BOLT	1	
28	90387-086G1-00	COLLAR	1	

CONTINUED ON NEXT FRAME ►

Not For Resale  
[www.SmallEngineDiscount.com](http://www.SmallEngineDiscount.com)

# TRACK SUSPENSION 2



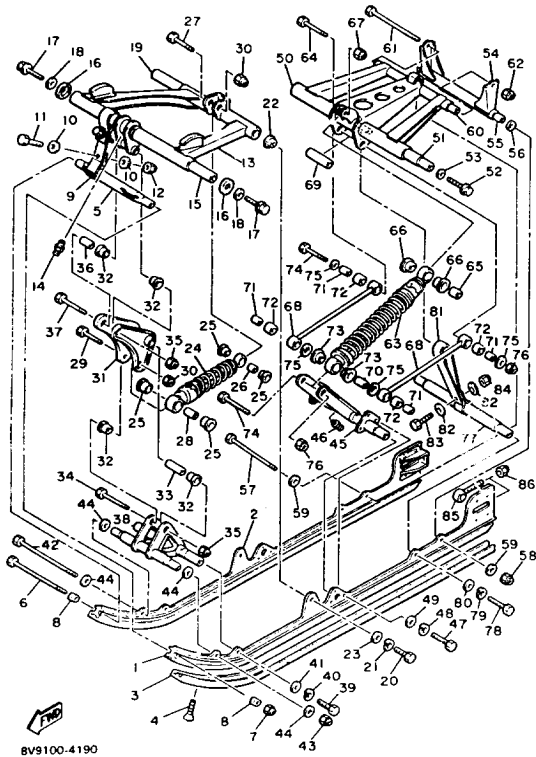
Ref. No.	Part Number	Description	Qty	Remarks
29	97021-08065-00	BOLT	1	
30	95712-08300-00	NUT, LOCK	2	
31	8U7-47464-00-00	BRACKET 6	1	
32	90387-123G5-00	COLLAR	4	
33	90387-086G1-00	COLLAR	1	
34	97021-08065-00	BOLT	1	
35	95712-08300-00	NUT, LOCK	2	
36	90387-084G0-00	COLLAR	1	
37	97022-08100-00	BOLT	1	
38	8U7-47418-00-00	BRACKET 4	1	
39	97013-08025-00	BOLT	2	
40	92990-08100-00	WASHER	2	
41	92901-08600-00	WASHER	2	
42	97022-08250-00	BOLT	1	
43	95712-08300-00	NUT, LOCK	1	
44	92901-08600-00	WASHER	4	
45	8AX-47416-00-00	BRACKET 2	1	
46	93700-06004-00	NIPPLE, GREASE	1	
47	97321-06020-00	BOLT	6	
48	92995-06100-00	WASHER, SPRING	6	
49	92901-06600-00	WASHER	6	
50	89J-47332-00-00	. ARM, PIVOT 2	1	
	90201-08795-00	. WASHER, PLATE	2	
	95712-08300-00	. NUT, LOCK	2	
	99999-02178-00	ARM, PIVOT 2 (8U7-47332-00-00)	1	
51	8U7-47475-01-00	SHAFT 2	1	
52	95816-10035-00	BOLT, FLANGE	2	
53	90201-10669-00	WASHER, PLATE	2	

CONTINUED ON NEXT FRAME ►

Not For Resale

www.SmallEngineDiscount.com

# TRACK SUSPENSION 2

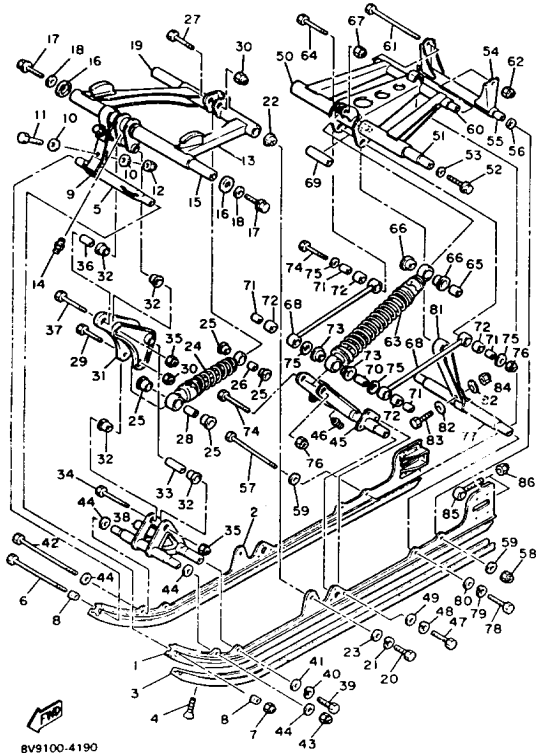


Ref. No.	Part Number	Description	Qty	Remarks
54	8U7-47417-00-00	BRACKET 3	1	
55	90387-08632-00	COLLAR	1	
56	90201-08649-00	WASHER, PLATE	2	
57	97022-08250-00	BOLT	1	
58	95712-08300-00	NUT, LOCK	1	
59	92901-08600-00	WASHER	2	
60	90387-083G6-00	COLLAR	1	
61	97022-08220-00	BOLT	1	
62	95712-08300-00	NUT, LOCK	1	
63	8Y0-47480-00-00	SHOCK ABSORBER	1	
64	90101-10561-00	BOLT	1	
65	90387-105G5-00	COLLAR	1	
66	90387-145G7-00	COLLAR	2	
67	95702-10300-00	NUT, nylon	1	
68	8U7-47494-02-00	ROD, RELAY	2	
69	90387-103G9-00	COLLAR	1	
70	90387-104G1-00	COLLAR	1	
71	90387-100X3-00	COLLAR	4	
72	90387-143G7-00	COLLAR	4	
73	90387-144G2-00	COLLAR	2	
74	90101-10560-00	BOLT	2	
75	90201-102A2-00	WASHER, PLATE	4	
76	95702-10300-00	NUT, nylon	2	
77	8U7-47486-00-00	SHAFT 4	1	
78	97013-08025-00	BOLT	2	
79	92990-08100-00	WASHER	2	
80	92901-08600-00	WASHER	2	
81	8U7-47496-00-00	STOPPER 2	1	
82	90201-06407-00	WASHER, PLATE (90201-06747-00 )	2	

CONTINUED ON NEXT FRAME ►

Not For Resale  
www.SmallEngineDiscount.com

# TRACK SUSPENSION 2

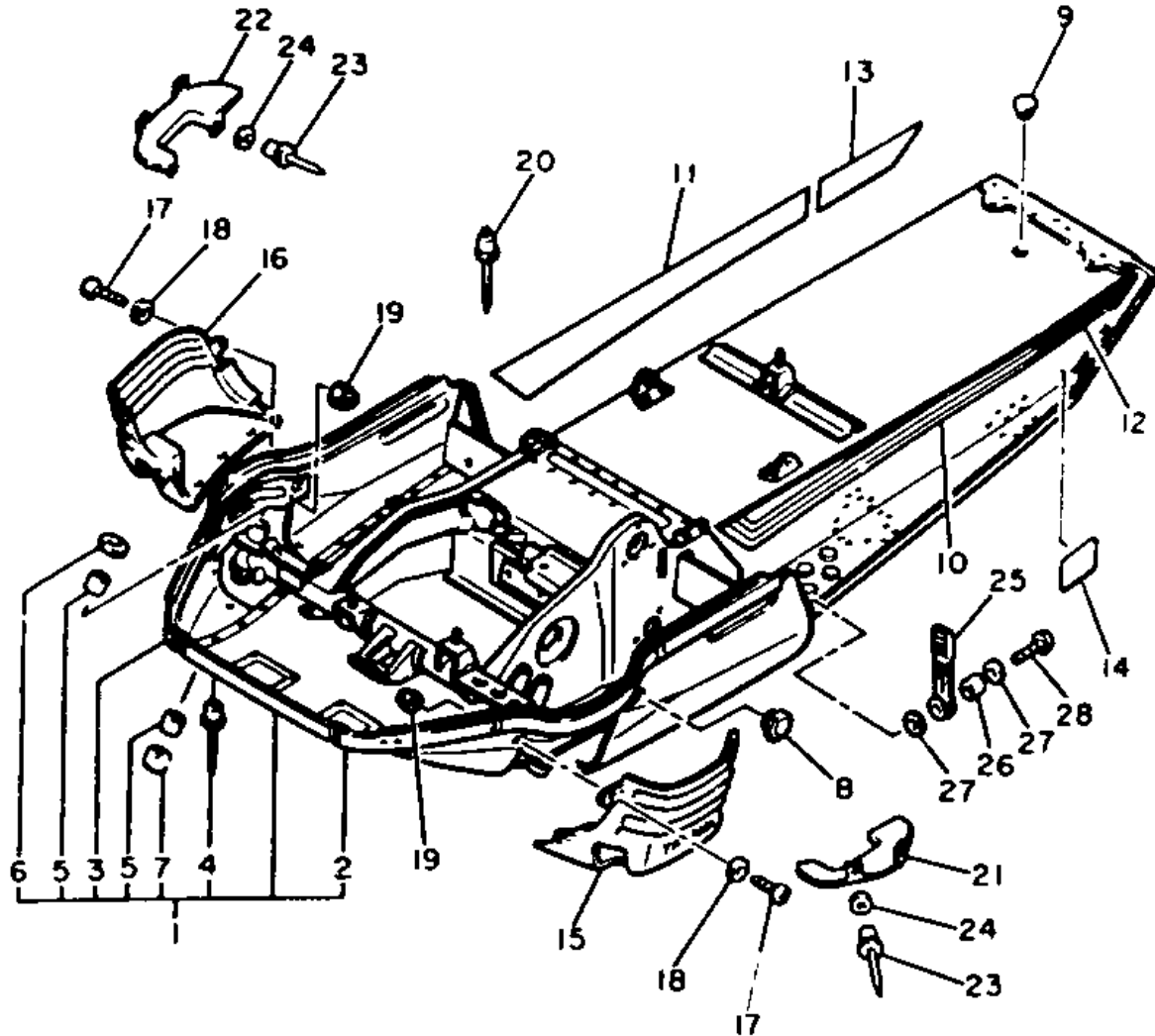


Ref. No.	Part Number	Description	Qty	Remarks
83	97013-06035-00	BOLT .....	1	
84	95702-06300-00	NUT, FLANGE .....	1	
85	8K2-47479-01-00	COLLAR 3 .....	2	
86	95702-10300-00	NUT, nylon .....	2	

Not For Resale

www.SmallEngineDiscount.com

# FRAME



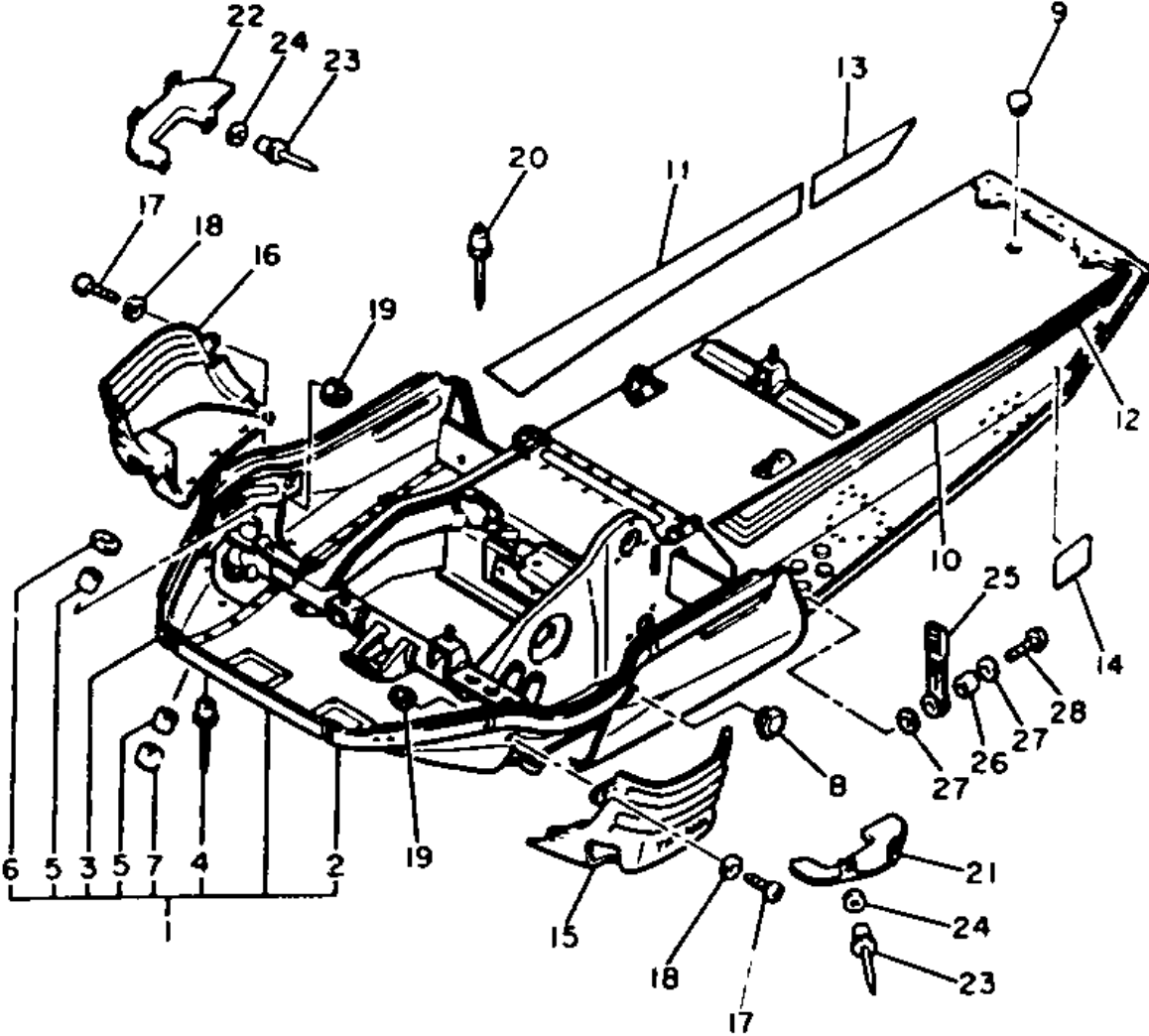
Ref. No.	Part Number	Description	Qty	Remarks
1	8U7-21910-00-00	FRAME COMP. ....	1	
2	8U7-21982-00-00	. HOOD 1 .....	1	
3	8U7-21983-00-00	. HOOD 2 .....	1	
4	90267-48060-00	. RIVET, BLIND .....	40	
5	90384-36134-00	. BUSH, BIMETAL FORMED ...	4	
6	93102-36232-00	. OIL SEAL .....	2	
7	93103-36117-00	. OIL SEAL .....	2	
8	90338-40099-00	PLUG .....	1	
9	810-77716-00-00	ORNAMENT, INSTRUMENT PANEL 2 .....	1	
10	8V9-77351-00-00	EMBLEM 1 .....	1	
11	8V9-77352-00-00	EMBLEM 2 .....	1	
12	8V9-77353-00-00	EMBLEM 3 .....	1	
13	8V9-77354-00-00	EMBLEM 4 .....	1	
14	8K2-77742-00-00	INDICATOR 2 .....	1	
15	8L0-2198F-00-00	COVER 1 .....	1	
16	8L0-2198G-00-00	COVER 2 .....	1	
17	90154-05005-00	SCREW, BINDING .....	8	
18	90201-05029-00	WASHER, PLATE .....	8	
19	95701-05300-00	NUT, NYLON .....	8	
20	90267-48086-00	RIVET, BLIND .....	6	
21	8L9-2199F-00-00	SHIELD, NOISE .....	1	
22	8L9-2199J-00-00	SHIELD, NOISE 2 .....	1	
23	90267-48086-00	RIVET, BLIND .....	8	
24	90201-04325-00	WASHER, PLATE .....	8	
25	8M6-77171-00-00	BODY, LATCH 1 .....	2	
26	90387-06241-00	COLLAR .....	2	
27	90201-06059-00	WASHER, PLATE .....	4	
28	98906-06030-00	SCREW, BIND .....	2	

CONTINUED ON NEXT FRAME ►

Not For Resale  
[www.SmallEngineDiscount.com](http://www.SmallEngineDiscount.com)

# FRAME

Ref. No.	Part Number	Description	Qty	Remarks
28	ø8U-72190-01-00	WIDE STANCE FRAME	1	OPTIONAL PART

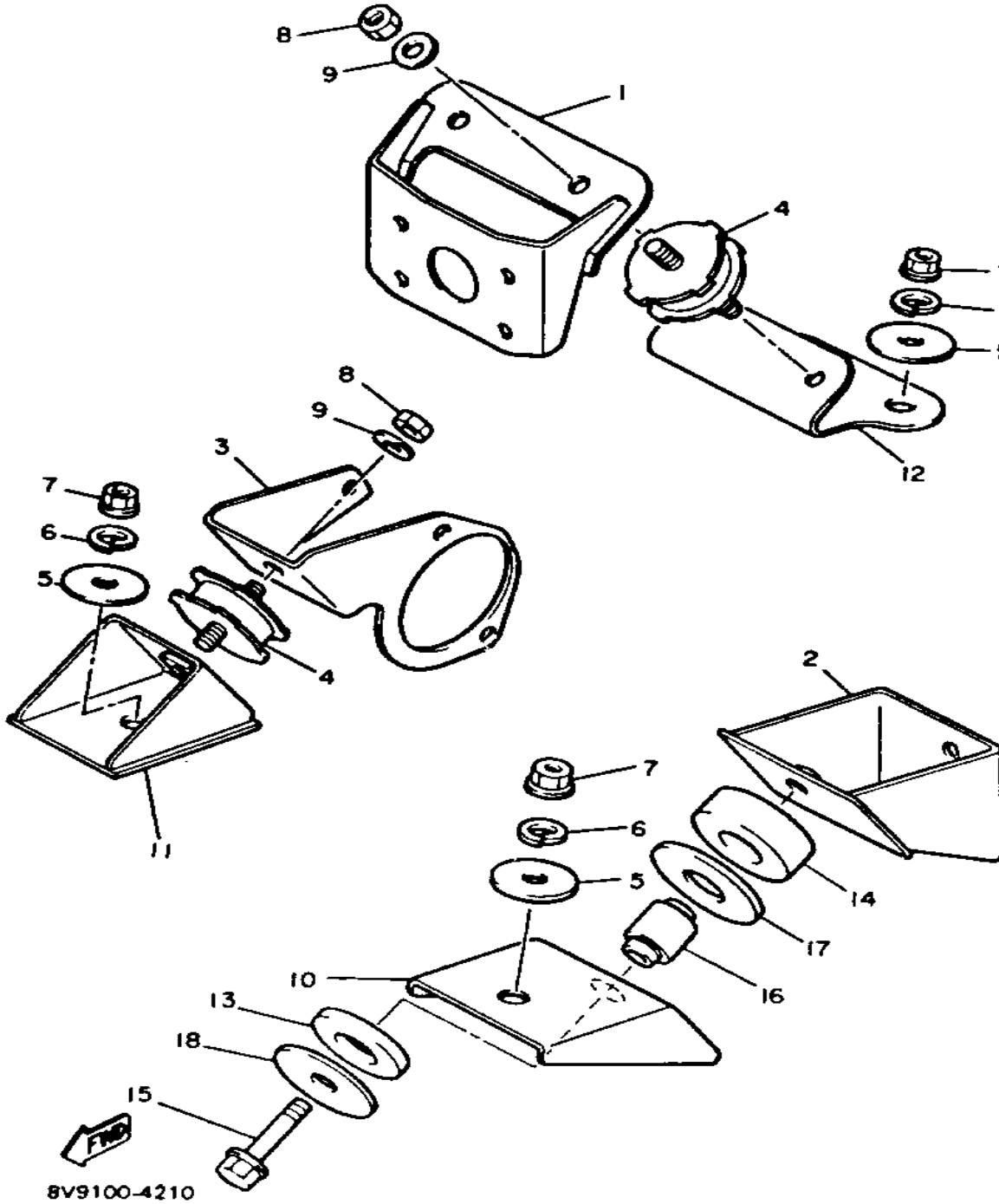


Not For Resale

[www.SmallEngineDiscount.com](http://www.SmallEngineDiscount.com)



# ENGINE BRACKET



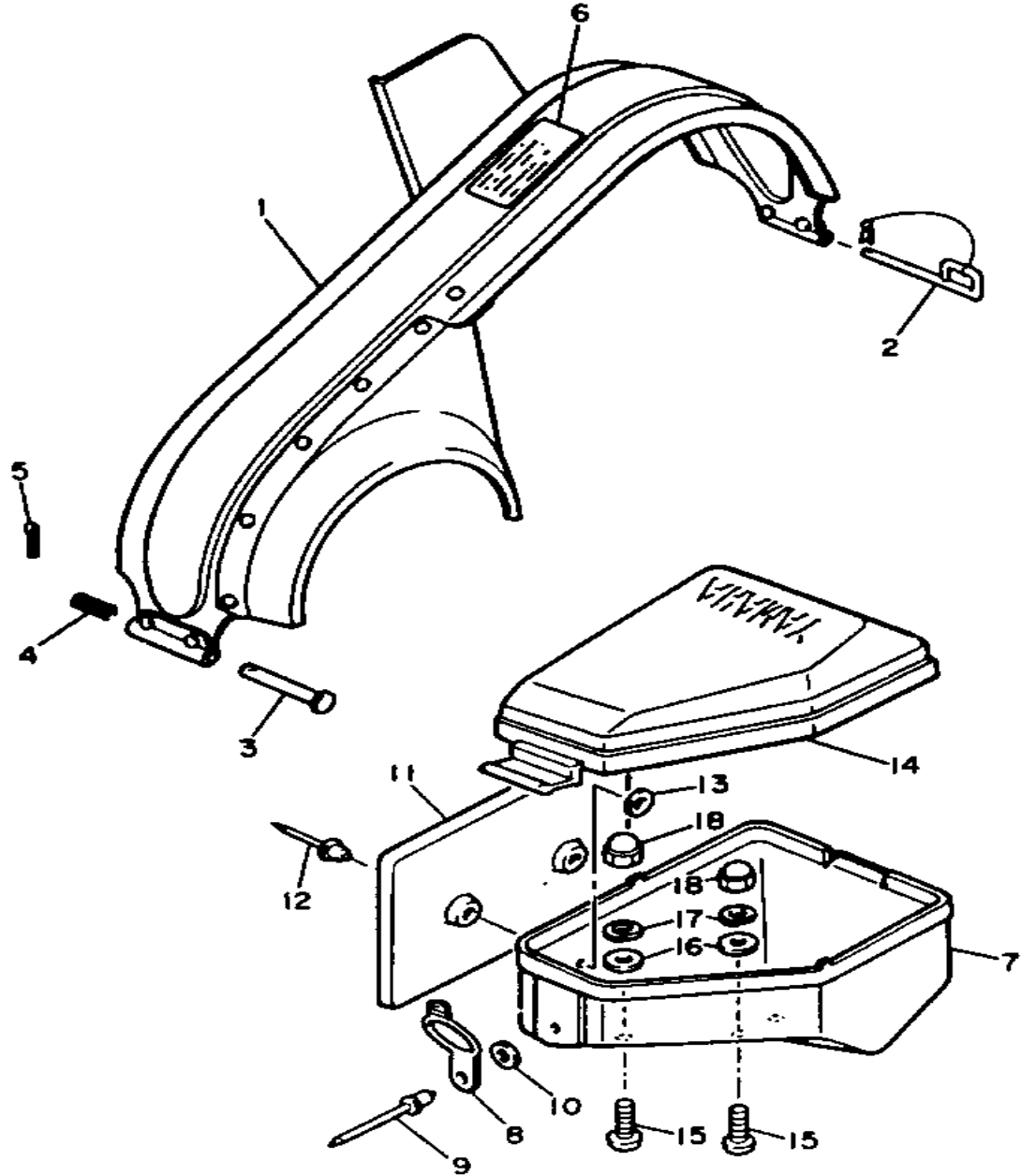
Ref. No.	Part Number	Description	Qty	Remarks
1	8K4-21411-00-00	BRACKET, ENGINE 1	1	
2	8V9-21419-00-00	BRACKET, ENGINE 2	1	
3	8K4-21429-00-00	BRACKET, ENGINE 3	1	
4	8N8-21486-00-00	DAMPER 2	3	
5	90201-10321-00	WASHER, PLATE	4	
6	92990-10100-00	WASHER, SPRING	4	
7	95701-10500-00	NUT, FLANGE (95702-10500)	3	
8	95303-10600-00	NUT (95301-10600)	4	
9	92990-10600-00	WASHER, PLATE	4	
10	8V9-21417-00-00	BRACKET, FRT LWR 1LOWER 1	1	
11	8H8-21418-01-00	BRACKET, FRONT LOWER 2	1	
12	8K4-21427-00-00	BRACKET, REAR LWR 1	1	
13	8V9-21486-00-00	DAMPER 2	1	
14	8V9-21485-00-00	DAMPER, RUBBER 1	1	
15	95811-10045-00	BOLT, FLANGE	1	
16	90380-10129-00	BUSH, SOLID	1	
17	90201-257G7-00	WASHER, PLATE	1	
18	90201-107G8-00	WASHER, PLATE	1	
19	90464-16039-00	CLAMP	1	

Not For Resale

[www.SmallEngineDiscount.com](http://www.SmallEngineDiscount.com)

# GUARD - LUGGAGE BOX

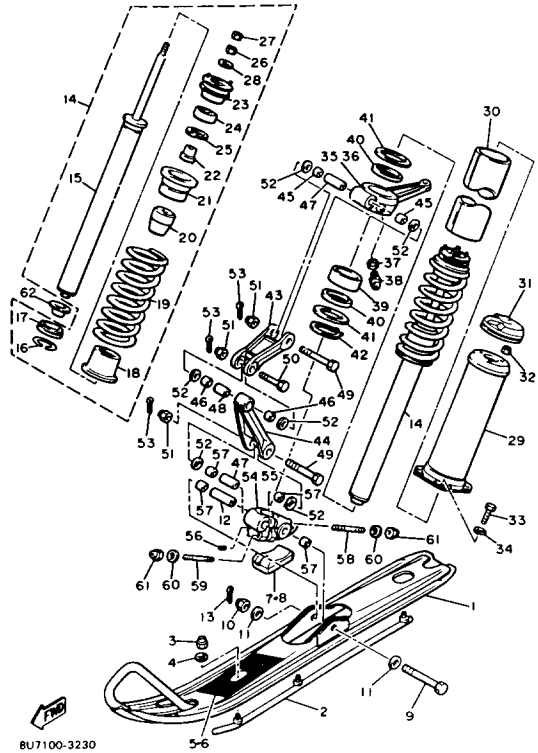
Ref. No.	Part Number	Description	Qty	Remarks
1	8R6-77311-02-00	GUARD, DRIVE .....	1	
2	8F3-77327-00-00	SHAFT .....	1	
3	91701-06082-00	PIN, CLEVIS .....	1	
4	90501-08661-00	SPRING, COMPRESSION .....	1	
5	90468-18008-00	CLIP .....	1	
6	8R6-77761-00-00	LABEL, WARNING 1 .....	1	
7	8N8-77381-00-00	BOX, TOOL .....	1	
8	8K4-77386-00-00	HOOK 1 .....	1	
9	90267-48086-00	RIVET, BLIND .....	1	
10	90201-04325-00	WASHER, PLATE .....	1	
11	8N8-77373-00-00	PROTECTOR .....	1	
12	90267-48079-00	RIVET, BLIND .....	2	
13	90201-04325-00	WASHER, PLATE .....	2	
14	8N8-77382-00-00	LID, TOOL BOX .....	1	
15	98906-06014-00	SCREW, BIND .....	3	
16	90201-06067-00	WASHER, PLATE .....	3	
17	92906-06100-00	WASHER, SPRING .....	3	
18	95306-06800-00	NUT .....	3	



8R6100-2220

Not For Resale  
[www.SmallEngineDiscount.com](http://www.SmallEngineDiscount.com)

# SKI



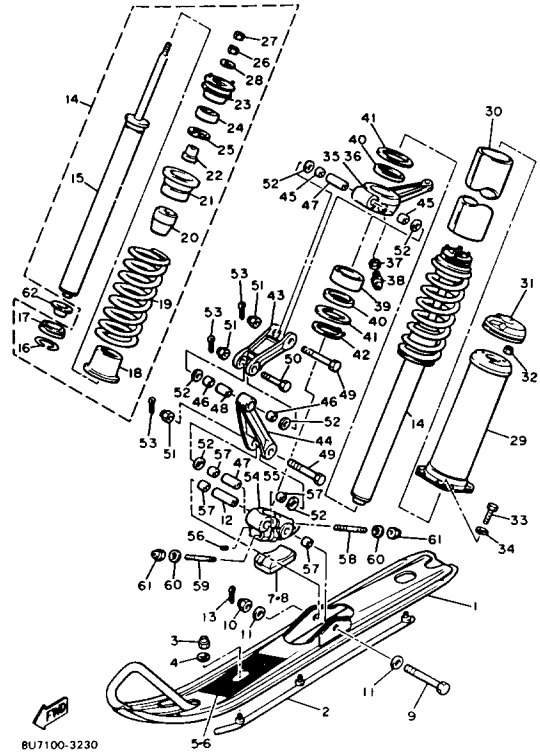
8U7100-3230

Ref. No.	Part Number	Description	Qty	Remarks
1	8L0-23710-00-00	SKI 1	2	
2	888-23731-01-XX	SKI RUNNER, 1	2	
3	95611-08100-00	NUT, U	6	
4	92901-08600-00	WASHER	6	
5	8V9-77365-00-00	EMBLEM 0	1	
6	8V9-77366-00-00	EMBLEM 1	1	
7	8L0-23743-01-00	STOPPER 1	1	
8	8L0-23744-01-00	STOPPER 2	1	
9	90102-10040-00	BOLT, WITH HOLE	2	
10	95706-10300-00	NUT, NYLON	2	
11	92906-10600-00	WASHER	4	
12	90387-10090-00	COLLAR	2	
13	91402-20018-00	PIN, cotter	2	
14	8L9-2376A-00-00	ABSORBER ASSEMBLY 1	2	
15	8L9-22401-00-00	. DAMPER SUB-ASSEMBLY.	1	
16	93440-36087-00	. . CIRCLIP, OUTER	1	
17	ø8L-92376-80-00	. . SEAT, spring 1	1	
18	8L9-23777-00-00	. SEAT, SPRING 2	1	
19	90501-75612-00	. SPRING, COMPRESSION	1	
20	8L0-22493-00-00	. BUMP, STOP	1	
21	8L0-23788-00-00	. PLATE, BACK UP	1	
22	90387-100A5-00	. COLLAR	1	
23	8L0-2376H-00-00	. HOLDER, BEARING	1	
24	93306-20226-00	. BEARING	1	
25	99009-35500-00	. CIRCLIP	1	
26	90170-08220-00	. NUT	1	
27	95303-08600-00	. NUT	1	
28	90201-08107-00	. WASHER, PLATE	1	
29	8L9-2376J-00-00	HOLDER, ABSORBER	2	

CONTINUED ON NEXT FRAME ➤

Not For Resale  
[www.SmallEngineDiscount.com](http://www.SmallEngineDiscount.com)

# SKI



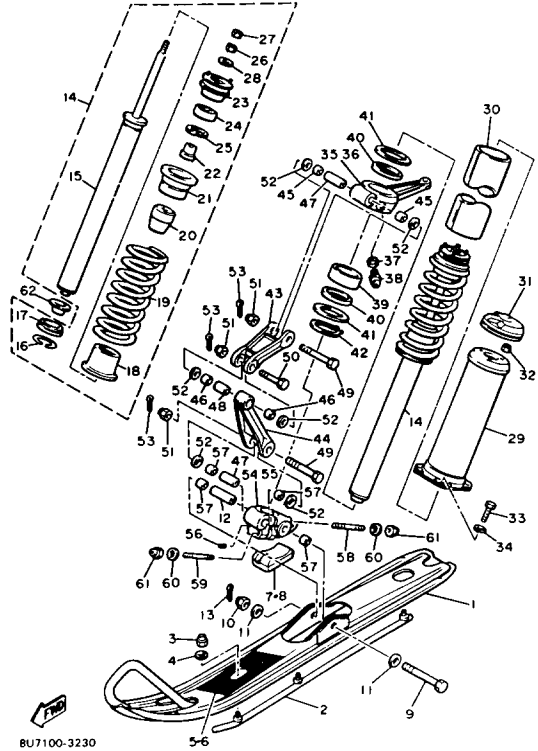
8U7100-3230

Ref. No.	Part Number	Description	Qty	Remarks
30	8L0-2376R-00-00	PROTECTOR .....	2	
31	8M6-77553-00-00	PROTECTOR 3 .....	2	
32	95601-06100-00	NUT, U .....	6	
33	97011-06020-00	BOLT .....	8	
34	92995-06100-00	WASHER, SPRING .....	8	
35	8U7-23851-00-00	ARM, OUTSIDE 1 .....	1	
36	8U7-23852-00-00	ARM, OUTSIDE 2 .....	1	
37	90201-067F9-00	WASHER, PLATE .....	2	
38	93700-06004-00	NIPPLE, GREASE .....	2	
39	90384-53175-00	BUSH, BIMETAL FORMED ....	2	
40	93109-53036-00	OIL SEAL .....	4	
41	90201-536A1-00	WASHER, PLATE (T=1.0) ....	4	
42	93410-52061-00	CIRCLIP .....	2	
43	8L0-2382E-01-00	ARM, FRONT 1 .....	2	
44	8L0-2382F-00-00	ARM, FRONT 2 .....	2	
45	90384-14091-00	BUSH, BIMETAL FORMED ....	4	
46	90384-14096-00	BUSH, BIMETAL FORMED ....	4	
47	90387-101Y9-00	COLLAR .....	4	
48	90387-100A4-00	COLLAR .....	2	
49	90102-10039-00	BOLT, WITH HOLE .....	4	
50	90102-10038-00	BOLT, WITH HOLE .....	2	
51	95706-10300-00	NUT, NYLON .....	6	
52	90202-14037-00	WASHER, PLATE .....	12	
53	91490-20020-00	PIN, COTTER .....	6	
54	8L9-2376E-00-00	BRACKET, 1 (L.H) .....	1	
55	8L9-2377E-00-00	BRACKET 2 (R.H) .....	1	
56	90113-06039-00	BOLT, SET .....	2	
57	90384-14091-00	BUSH, BIMETAL FORMED ....	8	
58	90116-08323-00	BOLT, STUD .....	2	

CONTINUED ON NEXT FRAME ➤

Not For Resale  
[www.SmallEngineDiscount.com](http://www.SmallEngineDiscount.com)

# SKI



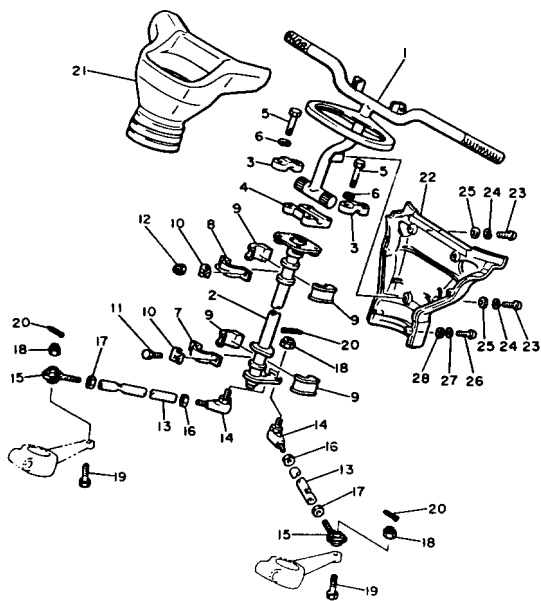
8U7100-3230

Ref. No.	Part Number	Description	Qty	Remarks
59	95611-08640-00	BOLT, STUD .....	2	
60	92901-08600-00	WASHER .....	4	
61	95712-08300-00	NUT, LOCK .....	4	
62	8L0-23741-00-00	CAP 1 .....	2	

Not For Resale

[www.SmallEngineDiscount.com](http://www.SmallEngineDiscount.com)

# STEERING



8R6100-2240

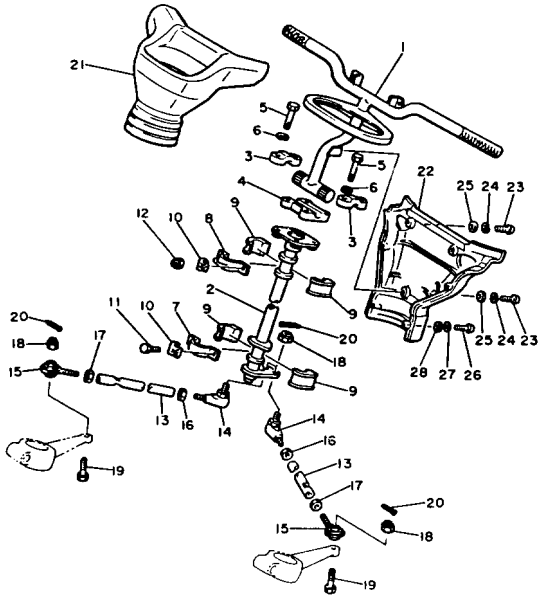
Ref. No.	Part Number	Description	Qty	Remarks
1	81R-23811-00-00	COLUMN, STEERING	1	
2	8L8-23813-00-00	COLUMN, STEERING 2	1	
3	1E6-23441-00-00	HOLDER, HANDLE UPR	2	
4	164-23814-00-98	HOLDER, handle upper (8G5-23814-00-00)	1	
5	97321-08055-00	BOLT, HEXAGON	4	
6	92990-08100-00	WASHER	4	
7	84M-23868-00-00	BRACKET, STEERING LOWER	1	
8	84M-23872-00-00	HOLDER, BEARING	1	
9	8F3-23812-00-00	PLANE BEARING, STEERING	4	
10	90215-08262-00	WASHER, LOCK	4	
11	97313-08016-00	BOLT, HEXAGON	2	
12	95712-08300-00	NUT, LOCK	2	
13	8L0-23821-00-00	ROD, STEERING RELAY	2	
14	86X-23841-00-00	JOINT, UNIVERSAL 1	2	
15	87S-23847-00-00	JOINT, UNIVERSAL 3	2	
16	95303-10700-00	NUT	2	
17	90170-10186-00	NUT	2	
18	95701-10300-00	NUT, FLANGE (95702-10300)	4	
19	90102-10031-00	BOLT, WITH HOLE	2	
20	91402-20018-00	PIN, cotter	4	
21	8L8-23815-01-00	PAD, STEERING	1	
22	8L8-23817-02-00	. PAD, STEERING	1	
	8Y0-23818-00-00	. COVER, STEERING	1	
	99999-01429-00	PAD KIT (8L8-23817-01)	1	
23	98506-05016-00	SCREW, PAN HEAD	3	
24	92906-05100-00	WASHER, SPRING	3	
25	90201-05721-00	WASHER, PLATE	3	
26	98506-04012-00	SCREW, PAN HEAD	4	

CONTINUED ON NEXT FRAME ►

Not For Resale

www.SmallEngineDiscount.com

# STEERING



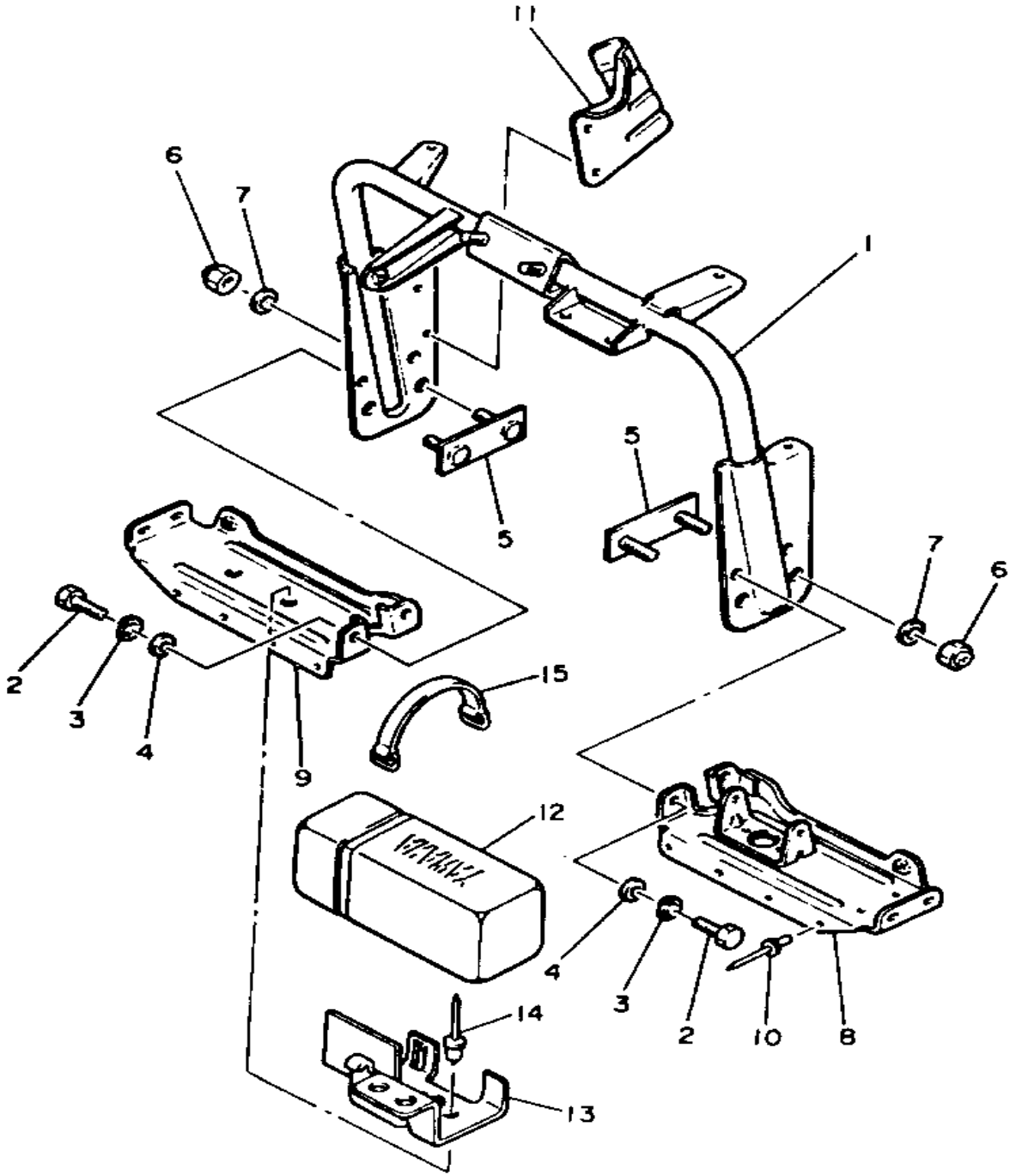
8R6100-2240

Ref. No.	Part Number	Description	Qty	Remarks
27	92906-04100-00	WASHER, SPRING .....	4	
28	92906-04600-00	WASHER, PLATE .....	4	

Not For Resale

www.SmallEngineDiscount.com

# STEERING GATE



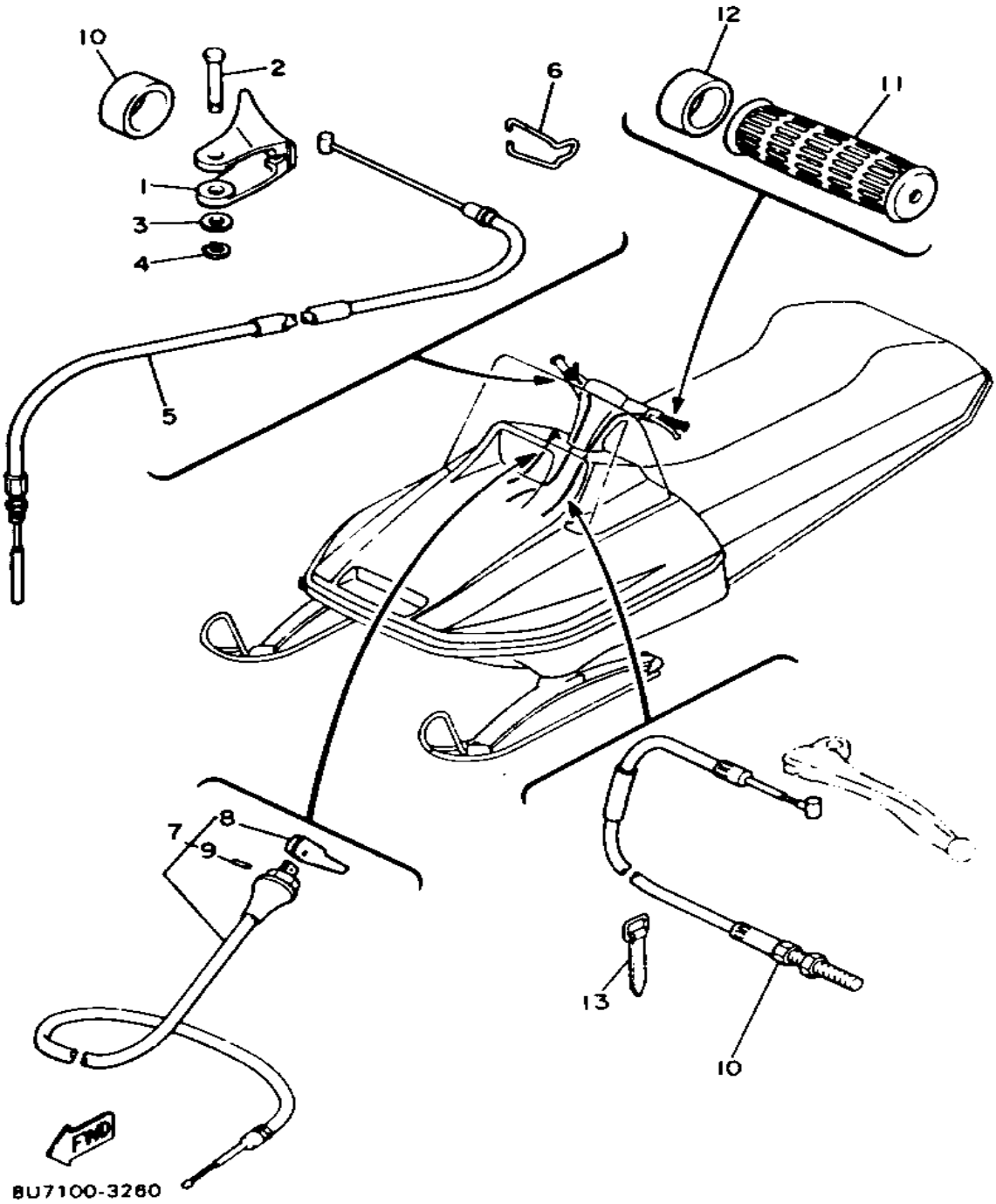
Ref. No.	Part Number	Description	Qty	Remarks
1	8K4-23871-00-00	GATE, STEERING .....	1	
2	97016-06016-00	BOLT .....	4	
3	92906-06100-00	WASHER, SPRING .....	4	
4	92906-06200-00	WASHER .....	4	
5	(8K4-23878-00-00)	BRACKET 0 .....	2	
6	95716-08300-00	NUT, FLANGE .....	4	
7	92906-08200-00	WASHER .....	4	
8	8L8-23883-00-00	BRACKET 3 .....	1	
9	8L8-23884-00-00	BRACKET 4 .....	1	
10	90267-48053-00	RIVET, BLIND .....	8	
11	8K4-23886-00-00	BRACKET 6 .....	1	
12	8U9-28100-00-00	TOOL KIT (8V9-28100-00) ....	1	
13	8U5-21945-00-00	BRACKET, TL BX FTNG (8N8-21945-01) .....	1	
14	90267-48079-00	RIVET, BLIND .....	2	
15	4J2-82131-01-00	BAND, BATTERY .....	1	

Not For Resale

[www.SmallEngineDiscount.com](http://www.SmallEngineDiscount.com)



# CONTROL - CABLE

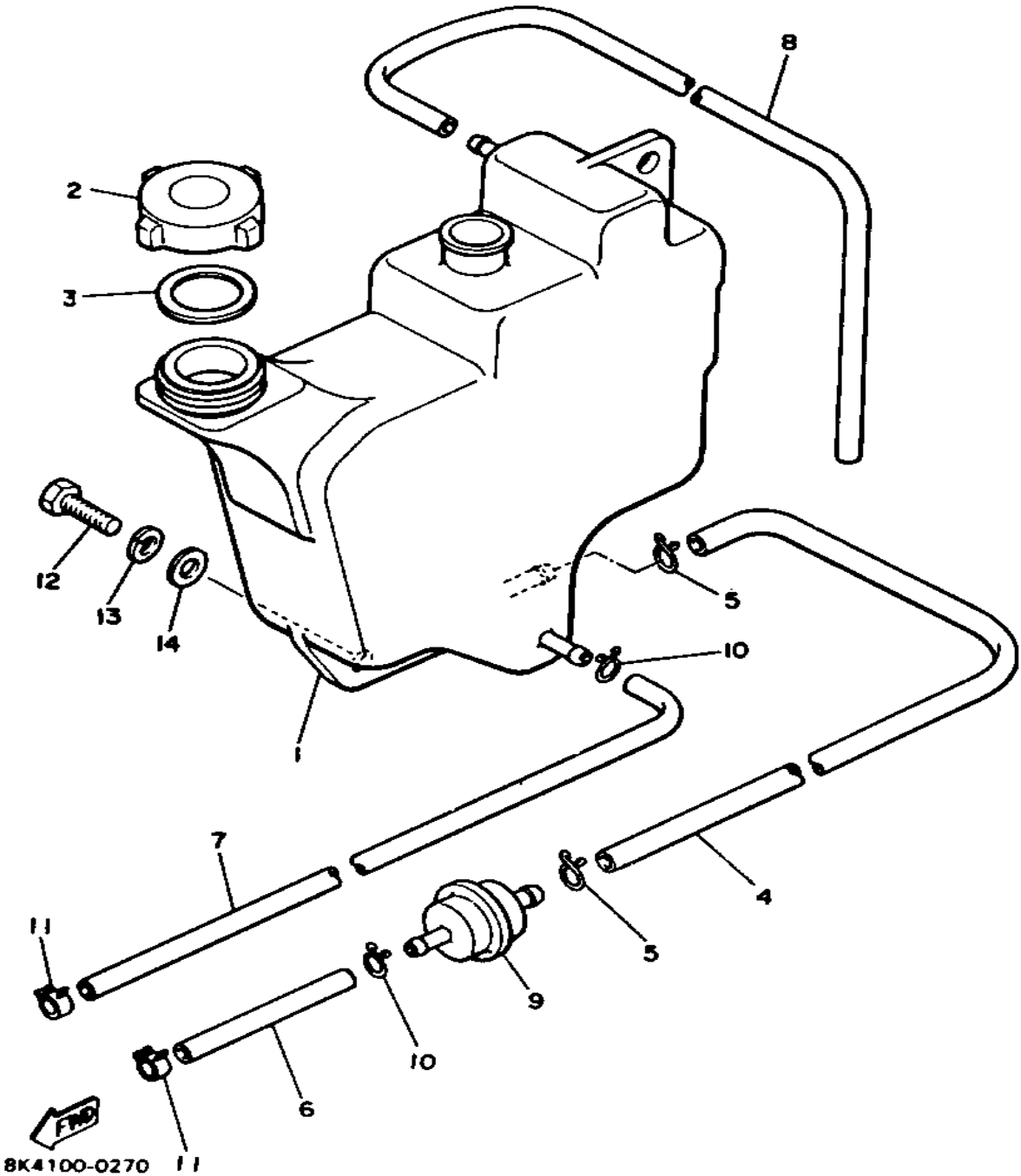


Ref. No.	Part Number	Description	Qty	Remarks
1	8K4-42138-00-00	LEVER, THROTTLE	1	
2	90249-06137-00	PIN, SPEC"L SHAPE	1	
3	92906-06200-00	WASHER	1	
4	93430-04002-00	CIRCLIP	1	
5	8R6-26311-00-00	CABLE, THROTTLE 1	1	
6	90465-10150-00	CLAMP	1	
7	8L8-26331-00-00	CABLE, STARTER 1	1	
8	8L2-26374-00-00	. END, CABLE 3	1	
9	91609-30010-00	. PIN, SPRING	1	
10	8K4-26340-00-00	CABLE, BRAKE	1	
11	801-26241-01-00	GRIP	2	
12	90387-22726-00	COLLAR	2	
13	341-26397-01-00	BAND	1	

Not For Resale

www.SmallEngineDiscount.com

# OIL TANK

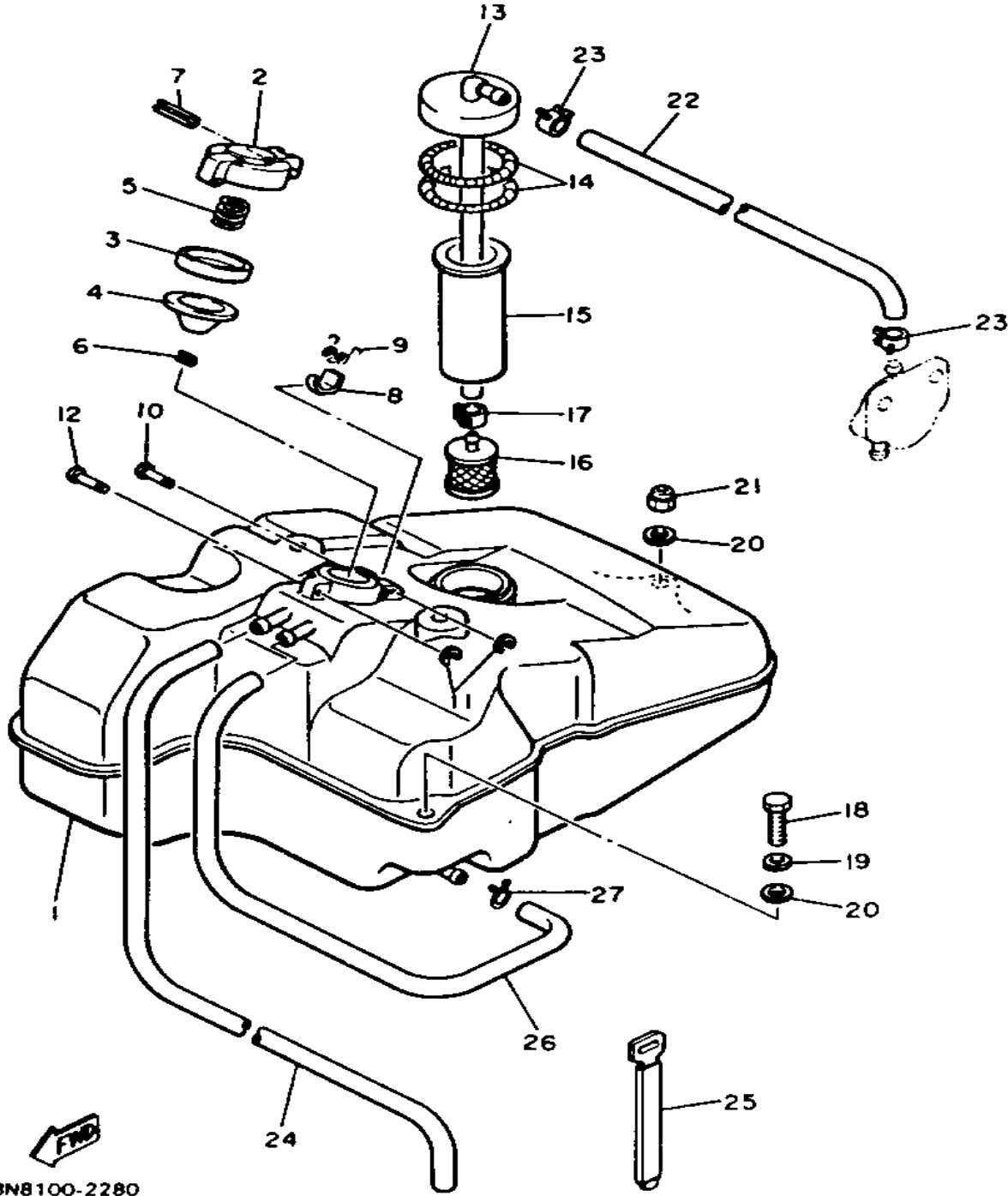


Ref. No.	Part Number	Description	Qty	Remarks
1	864-21751-00-00	TANK, oil (8L8-21751-00-00)	1	
2	863-21771-00-00	BODY, CAP	1	
3	90430-31003-00	GASKET	1	
4	90446-11157-00	HOSE	1	
5	90467-11009-00	CLIP	2	
6	90446-09011-00	HOSE	1	
7	90446-09211-00	HOSE	1	
8	90446-09013-00	HOSE (90446-09079)	1	
9	8G8-13410-00-00	STRAINER HOUSING ASSEMBLY	1	
10	90467-09005-00	CLIP, SCISSOR	2	
11	90467-09026-00	CLIP	2	
12	97023-06020-00	BOLT (3XF)	2	
13	92995-06100-00	WASHER, SPRING	2	
14	90201-06067-00	WASHER, PLATE	2	

Not For Resale

www.SmallEngineDiscount.com

# FUEL TANK



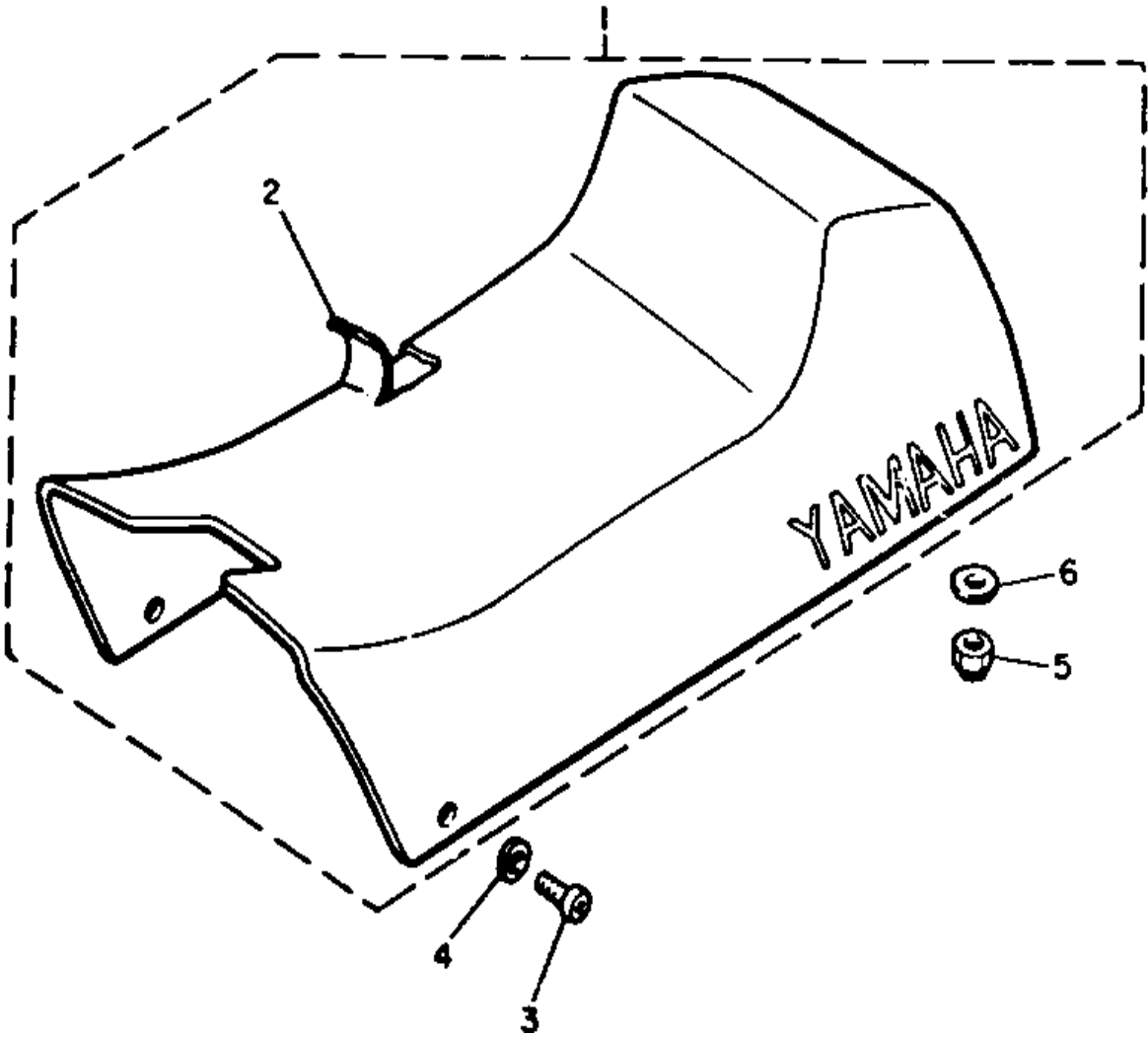
8N8100-2280

Ref. No.	Part Number	Description	Qty	Remarks
1	86P-24111-01-00	FUEL TANK (8K4-24111-01) ...	1	
2	813-24611-01-00	BODY, CAP .....	1	
3	813-24613-01-00	DISC, CAP .....	1	
4	8F7-24641-00-00	GASKET, CAP 1 .....	1	
5	90501-20130-00	SPRING, COMPRESSION .....	1	
6	91609-30016-00	PIN, SPRING .....	1	
7	91609-25032-00	PIN, SPRING .....	1	
8	83M-24628-01-00	HOOK (813-24628-00-00) .....	1	
9	90508-10715-00	SPRING, TORSION .....	1	
10	90249-03017-00	PIN .....	1	
11	93430-02001-00	CIRCLIP .....	2	
12	90249-03016-00	PIN, SPEC'L SHAPE .....	1	
13	83R-24335-00-00	PIPE, SUCTION 1 .....	1	
14	90506-06065-00	SPRING, TENSION .....	2	
15	8K4-24336-00-00	PIPE, SUCTION 2 .....	1	
16	8H5-24560-00-00	FILTER ASSEMBLY .....	1	
17	90467-11028-00	CLIP .....	1	
18	97001-08025-00	BOLT (1NV) .....	2	
19	92990-08100-00	WASHER .....	2	
20	90201-087A9-00	WASHER, PLATE .....	3	
21	95712-08300-00	NUT, LOCK .....	1	
22	91A20-07070-00	HOSE .....	1	
23	90467-11028-00	CLIP .....	2	
24	90446-09155-00	HOSE .....	1	
25	341-26397-01-00	BAND .....	2	
26	90446-09013-00	HOSE (90446-09079) .....	1	
27	90467-09005-00	CLIP, SCISSOR .....	1	

Not For Resale

www.SmallEngineDiscount.com

# SEAT

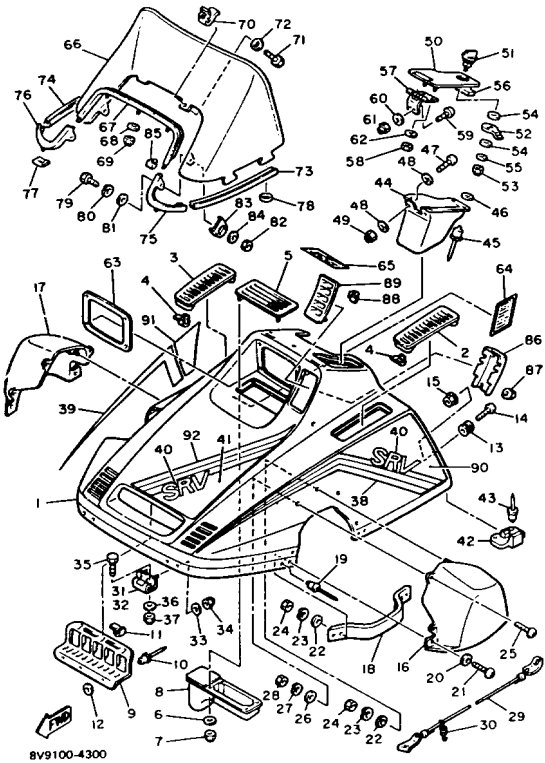


Ref. No.	Part Number	Description	Qty	Remarks
1	82W-24710-00-00	SINGLE SEAT ASSEMBLY	1	
2	82W-24711-00-00	. COVER, SINGLE SEAT	1	
3	90154-06003-00	SCREW, BINDING	2	
4	90201-063J2-00	WASHER, PLATE	2	
5	95712-08300-00	NUT, LOCK	2	
6	90201-08748-00	WASHER, PLATE	2	

Not For Resale

[www.SmallEngineDiscount.com](http://www.SmallEngineDiscount.com)

# SHROUD - WINDSHIELD

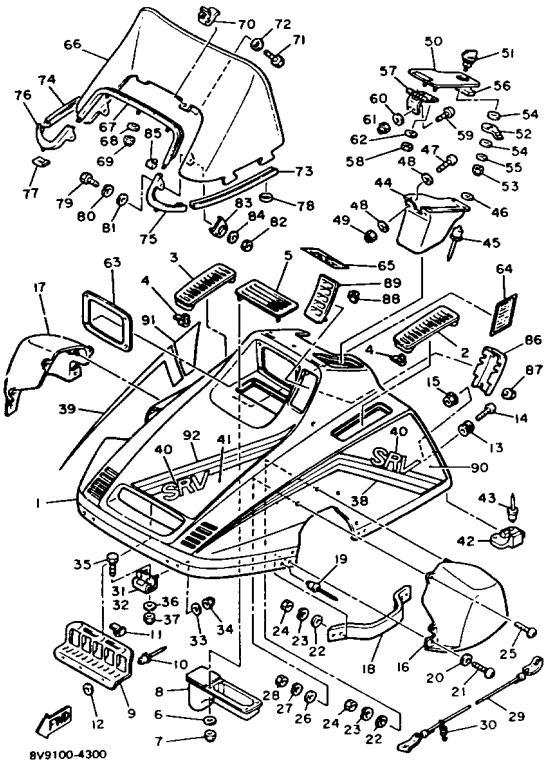


Ref. No.	Part Number	Description	Qty	Remarks
1	8V9-W7711-01-00	SHROUD ASSEMBLY	1	See Note
2	8L9-77133-00-00	LOUVER 3	1	
3	8L9-77134-00-00	LOUVER 4	1	
4	90468-05094-00	CLIP	4	
5	8V9-77109-00-00	LOUVER 5	1	
6	90201-05029-00	WASHER, PLATE	4	
7	95701-05300-00	NUT, NYLON	4	
8	8K4-7712E-00-00	INSULATOR	1	
9	8K4-77194-00-00	DUCT	1	
10	90267-48053-00	RIVET, BLIND	3	
11	90468-05096-00	CLIP	3	
12	90201-04325-00	WASHER, PLATE	3	
13	8M6-77175-00-00	HOLDER, LATCH	2	
14	98906-06030-00	SCREW, BIND	2	
15	95701-06500-00	NUT, FLANGE	2	
16	8L0-77121-00-00	HOOD 1	1	
17	8L0-77122-00-00	HOOD 2	1	
18	8L0-77125-00-00	STAY 1	2	
19	90267-48014-00	RIVET, BLIND	4	
20	90201-05029-00	WASHER, PLATE	4	
21	90154-05005-00	SCREW, BINDING	4	
22	90201-05029-00	WASHER, PLATE	4	
23	92990-05100-00	WASHER, SPRING	4	
24	95301-05600-00	NUT	4	
25	98906-06016-00	SCREW, BIND	8	
26	90201-06M08-00	WASHER, PLATE	8	
27	92995-06100-00	WASHER, SPRING	8	
28	95380-06600-00	NUT	8	
29	8K4-77118-00-00	STOPPER, SHROUD	1	

CONTINUED ON NEXT FRAME ➤

Not For Resale  
[www.SmallEngineDiscount.com](http://www.SmallEngineDiscount.com)

# SHROUD - WINDSHIELD

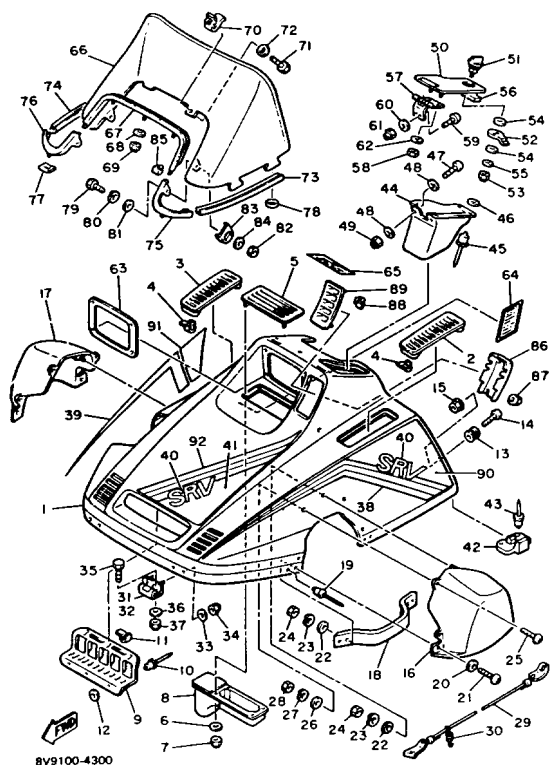


Ref. No.	Part Number	Description	Qty	Remarks
30	838-77159-00-00	CLAMP, ROD .....	1	
31	8L8-77140-00-00	HINGE ASSEMBLY .....	1	
32	8L8-7714A-00-00	HINGE ASSEMBLY 2 .....	1	
33	90201-067A6-00	WASHER, PLATE .....	4	
34	95701-06300-00	NUT, NYLON .....	4	
35	97006-06014-00	BOLT .....	2	
36	90201-062A8-00	WASHER, PLATE .....	2	
37	95706-06300-00	NUT, NYLON .....	2	
38	8V9-77163-00-00	ORNAMENT 1 .....	1	
39	8V9-77164-00-00	ORNAMENT 2 .....	1	
40	(8V9-77355-00-00)	EMBLEM 5 .....	2	
41	8V9-77356-00-00	EMBLEM 6 .....	1	
42	8K4-77188-00-00	STOPPER .....	2	
43	90267-48086-00	RIVET, BLIND .....	4	
44	8K4-77391-00-00	LUGGAGE BOX .....	1	
45	90267-48078-00	RIVET, BLIND .....	2	
46	90201-04325-00	WASHER, PLATE .....	2	
47	98516-06020-00	SCREW, PAN HEAD .....	2	
48	90201-06059-00	WASHER, PLATE .....	4	
49	95701-06300-00	NUT, NYLON .....	2	
50	8V9-77392-00-00	COVER, LUGGAGE BOX .....	1	
51	8L9-77324-00-00	KNOB .....	1	
52	8K4-77328-00-00	LEVER, arm fitting .....	1	
53	95706-05300-00	NUT, nylon .....	1	
54	90201-10119-00	WASHER, PLATE .....	2	
55	90201-05725-00	WASHER, PLATE .....	1	
56	8K4-77374-00-00	DAMPER 2 .....	1	
57	8K4-77470-00-00	HINGE ASSEMBLY .....	1	
58	95306-05800-00	NUT (CROWN) .....	2	

CONTINUED ON NEXT FRAME ➤

Not For Resale  
www.SmallEngineDiscount.com

# SHROUD - WINDSHIELD



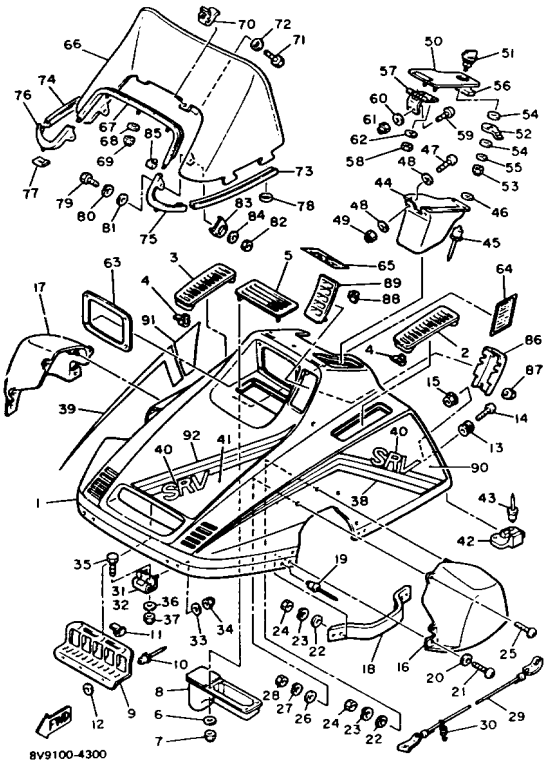
Ref. No.	Part Number	Description	Qty	Remarks
59	98506-05016-00	SCREW, PAN HEAD	2	
60	90201-05029-00	WASHER, PLATE	2	
61	95701-05300-00	NUT, NYLON	2	
62	92906-05200-00	WASHER, PLAIN	2	
63	8K4-77165-00-00	TRIM 1	1	
64	8U7-77743-00-00	INDICATOR 3	1	
65	8U7-77761-00-00	LABEL, warning 1	1	
66	8L0-77210-00-XX	WINDSHIELD (8L0-77210-00)	1	
67	8L0-77214-00-00	TRIM, lower	1	
68	92901-05600-00	WASHER, PLATE	3	
69	95701-05300-00	NUT, NYLON	3	
70	8K4-77222-00-00	BRACKET, WNDSHLD R	1	
71	97011-06010-00	BOLT	1	
72	92995-06100-00	WASHER, SPRING	1	
73	8L0-77215-00-00	TRIM 3	1	
74	8L0-77216-00-00	TRIM 4	1	
75	8L0-77225-00-00	TRIM 5	1	
76	8L0-77226-00-00	TRIM 6	1	
77	90183-05019-00	NUT, SPRING	2	
78	82H-77223-00-00	FASTNER	4	
79	97313-05016-00	BOLT, HEXAGON	2	
80	92990-05100-00	WASHER, SPRING	2	
81	90201-05033-00	WASHER, PLATE	1	
82	95306-05800-00	NUT (CROWN)	2	
83	8L9-77116-00-00	WASHER, special	2	
84	90201-06643-00	WASHER, PLATE	2	
85	8L0-77136-00-00	CLAMP 2	2	
86	8V8-77185-00-00	PLATE 1	1	
87	95701-04500-00	NUT, FLANGE	4	

CONTINUED ON NEXT FRAME ►

Not For Resale

www.SmallEngineDiscount.com

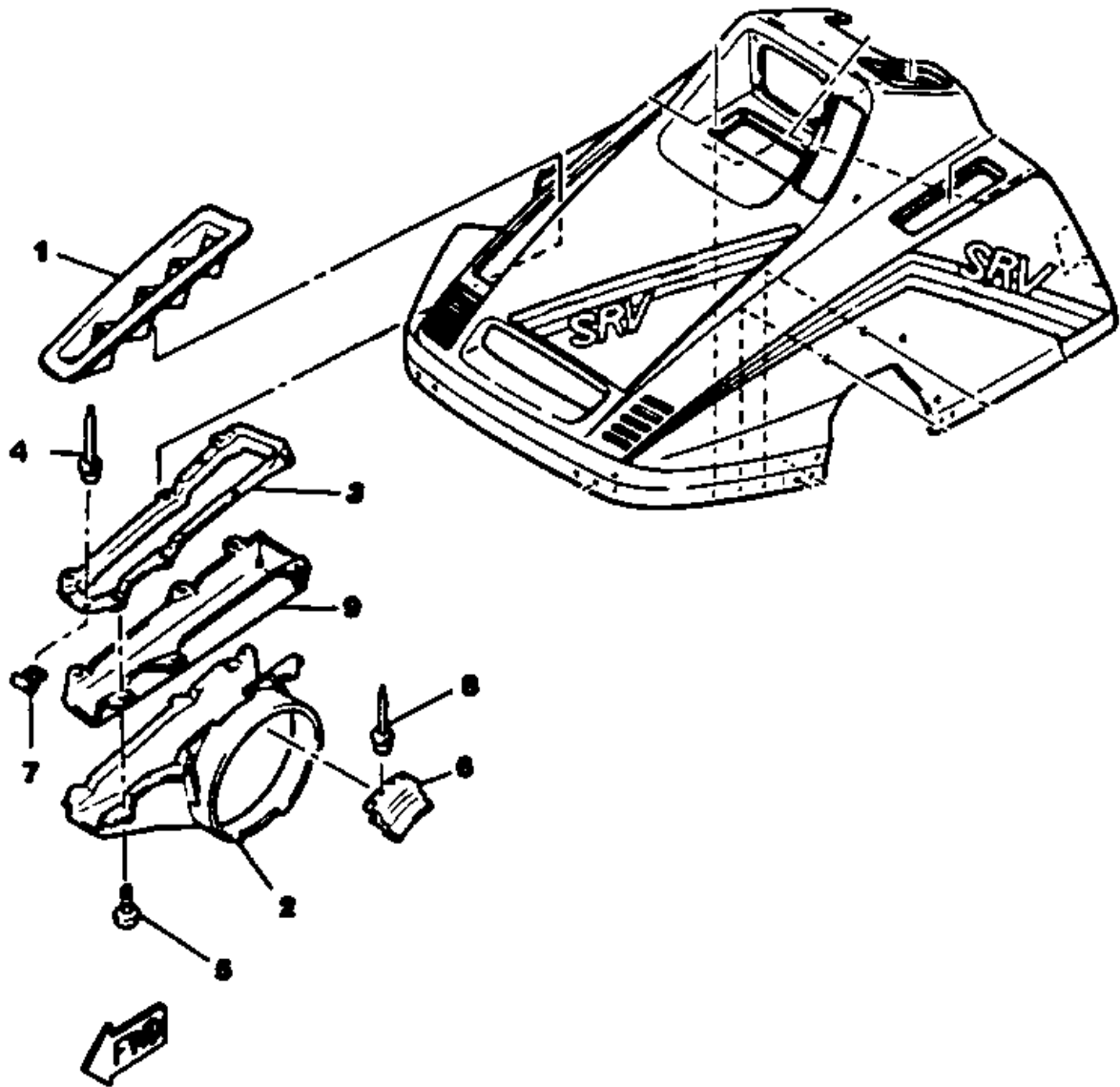
# SHROUD - WINDSHIELD



Ref. No.	Part Number	Description	Qty	Remarks
88	90468-05094-00	CLIP .....	4	
89	8V9-77108-00-00	LOUVER 6 .....	1	
90	8V9-77169-00-00	ORNAMENT 3 .....	1	
91	8V9-77113-00-00	ORNAMENT 4 .....	1	
92	8V9-77357-00-00	EMBLEM 7 .....	1	



# ADDITIONAL SHROUD

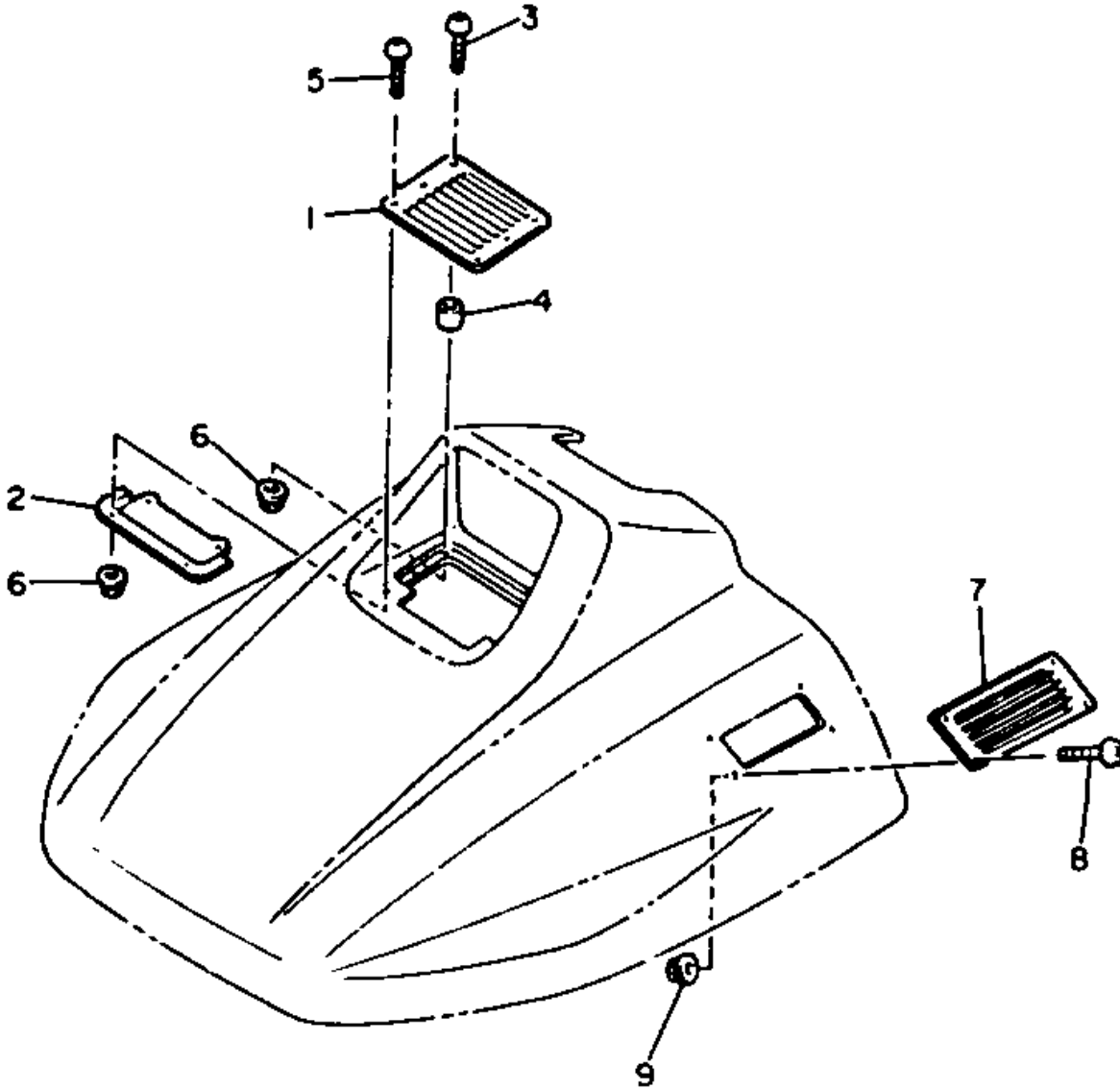


Ref. No.	Part Number	Description	Qty	Remarks
1	8V9-77131-00-00	LOUVER 1 .....	1	
2	8V9-77194-00-00	DUCT .....	1	
3	8V9-77153-00-00	PLATE, BACK UP 1 .....	1	
4	90267-40105-00	RIVET, BLIND .....	8	
5	98906-06010-00	SCREW, BIND .....	6	
6	8Y0-77515-00-00	BUSH, RUBBER 1 .....	1	
7	90468-05138-00	CLIP .....	5	
8	90269-05039-00	RIVET .....	4	
9	8Y0-77186-00-00	PLATE 2 .....	1	

Not For Resale

[www.SmallEngineDiscount.com](http://www.SmallEngineDiscount.com)

# LOUVER

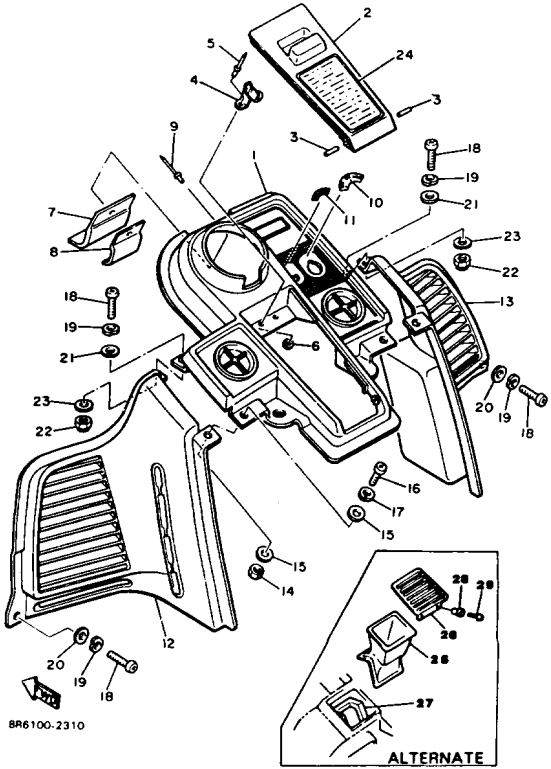


Ref. No.	Part Number	Description	Qty	Remarks
1	8U7-77109-00-00	LOUVER 5 .....	1	
2	8U7-77186-00-00	PLATE 2 .....	1	
3	90154-05020-00	SCREW, BINDING (90164-05013) .....	4	
4	90387-05626-00	COLLAR .....	4	
5	90164-05007-00	SCREW, TAPPING .....	2	
6	95701-05500-00	NUT, FLANGE .....	6	
7	(8U7-77108-00-00)	LOUVER 6 .....	1	
8	90164-05007-00	SCREW, TAPPING .....	4	
9	95701-05500-00	NUT, FLANGE .....	4	

Not For Resale

[www.SmallEngineDiscount.com](http://www.SmallEngineDiscount.com)

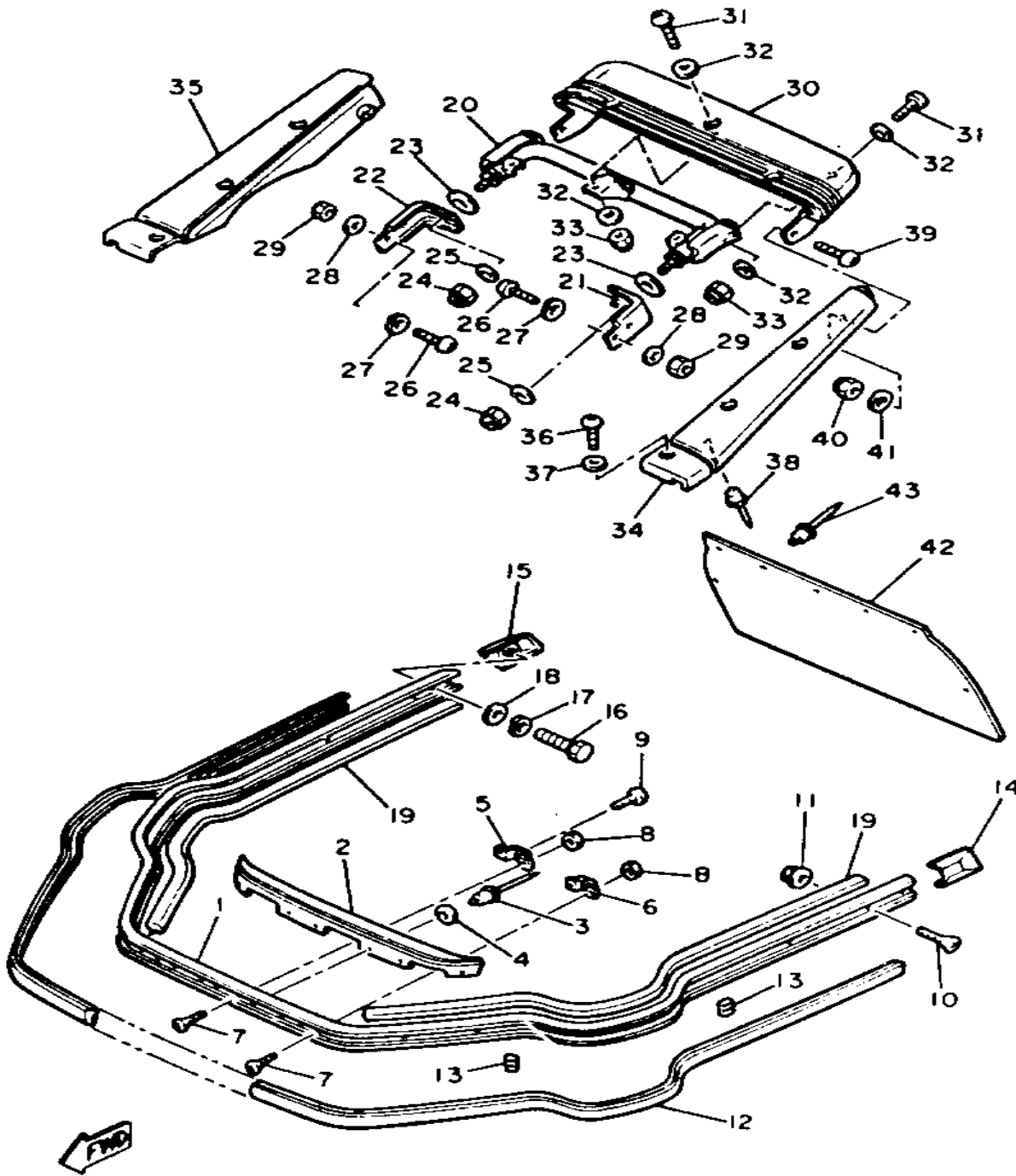
# INSTRUMENT PANEL



Ref. No.	Part Number	Description	Qty	Remarks
1	8L8-77711-01-00	PANEL INSTRUMENT .....	1	
2	8K4-77712-00-00	PANEL, INSTRUMENT .....	1	
3	8K4-77477-00-00	PIN, HINGE .....	2	
4	821-24794-01-00	SPRING, SEAT BACK .....	1	
5	90267-32072-00	RIVET, BLIND .....	2	
6	90201-03313-00	WASHER, PLATE .....	2	
7	8K4-77161-00-00	STRIP, WEATHER 1 .....	1	
8	8K4-77185-00-00	PLATE 1 .....	1	
9	90267-48014-00	RIVET, BLIND .....	1	
10	8K2-77741-00-00	INDICATOR 1 .....	1	
11	8K4-77742-00-00	INDICATOR 2 .....	1	
12	8K4-77131-00-00	LOUVER 1 .....	1	
13	8K4-77132-00-00	LOUVER 2 .....	1	
14	95380-06600-00	NUT .....	2	
15	90201-06059-00	WASHER, PLATE .....	4	
16	92506-06016-00	SCREW, pan head .....	2	
17	92906-06100-00	WASHER, SPRING .....	2	
18	98516-06020-00	SCREW, PAN HEAD .....	4	
19	92906-06100-00	WASHER, SPRING .....	4	
20	90201-060A3-00	WASHER, PLATE .....	2	
21	92901-06600-00	WASHER .....	2	
22	95601-06100-00	NUT, U .....	2	
23	90201-06643-00	WASHER, PLATE .....	2	
24	8V9-77358-00-00	EMBLEM 7 .....	1	
25	8V9-14437-00-00	DUCT .....	1	Alt. Part
26	8V9-14478-00-00	LOUVER .....	1	Alt. Part
27	8V9-14409-00-00	DAMPER .....	1	Alt. Part
28	90179-05525-00	NUT .....	2	Alt. Part
29	90154-05005-00	SCREW, BINDING .....	2	Alt. Part

Not For Resale  
www.SmallEngineDiscount.com

# BUMPER



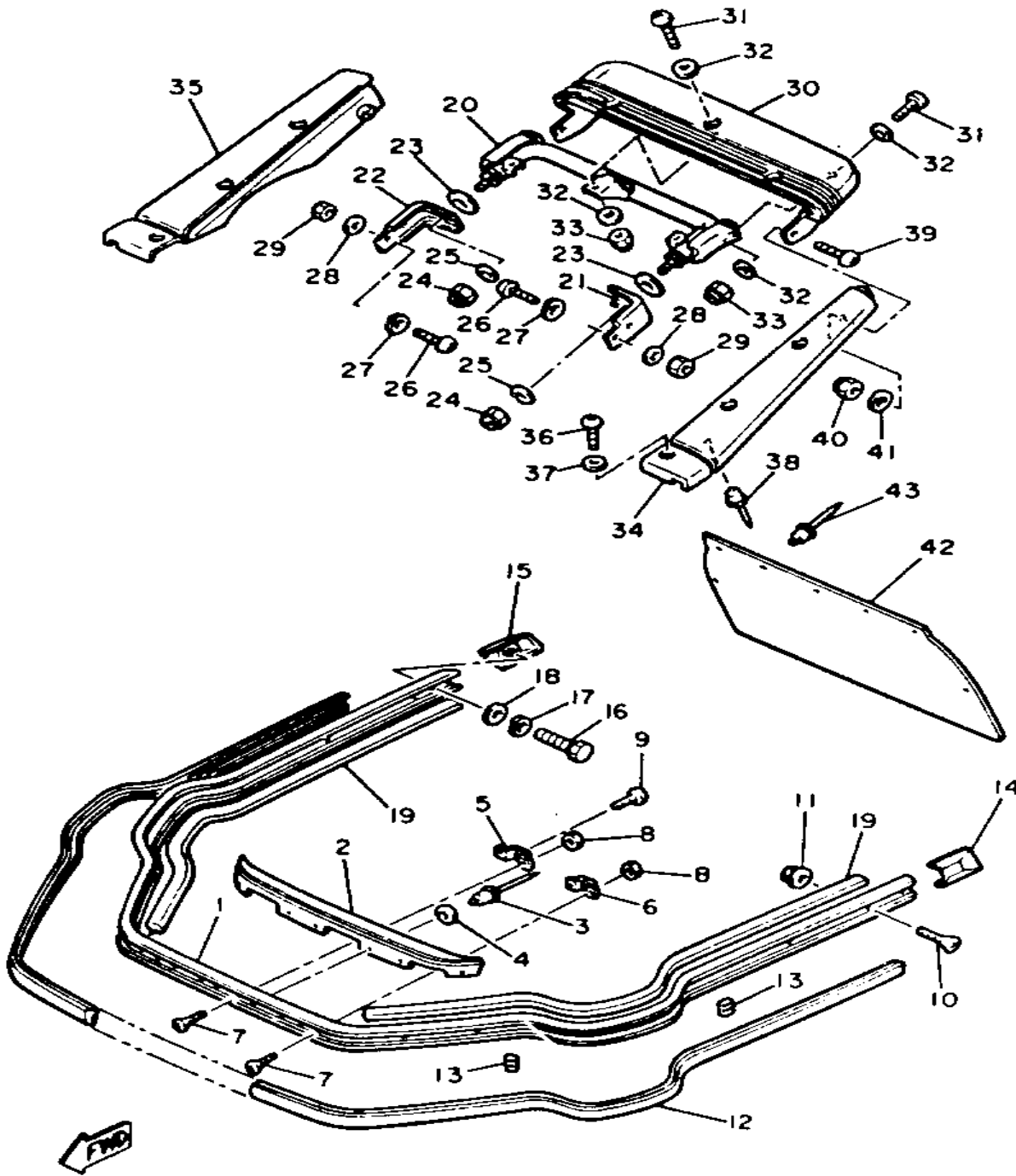
Ref. No.	Part Number	Description	Qty	Remarks
1	8R6-77511-00-00	BUMPER, FRONT 1	1	
2	8R6-77512-00-00	BUMPER, FRONT 2	1	
3	90267-48079-00	RIVET, BLIND	6	
4	90201-04325-00	WASHER, PLATE	6	
5	8N8-77531-00-00	BRACKET, FRONT L (L.H)	1	
6	8N8-77532-00-00	BRACKET, FRONT R (R.H)	2	
7	98701-06012-00	SCREW, FLAT HEAD (92701-06012)	6	
8	95701-06500-00	NUT, FLANGE	6	
9	98903-06014-00	SCREW, BIND	3	
10	98701-06014-00	SCREW, FLAT HEAD	10	
11	95701-06500-00	NUT, FLANGE	10	
12	8R6-77516-00-00	BUSH, RUBBER 2	1	
13	8R6-77527-00-00	PLATE, BACK UP	4	
14	8N8-77523-00-00	END, BUMPER	1	
15	8N8-77524-00-00	END, BUMPER	1	
16	97313-06016-00	BOLT, HEXAGON	2	
17	92995-06100-00	WASHER, SPRING	2	
18	92901-06600-00	WASHER	2	
19	8L0-77515-00-00	BUSH, RUBBER 1	2	
20	8M6-77541-00-00	BUMPER, REAR 1	1	
21	8M6-77525-01-00	WASHER 1	1	
22	8M6-77526-01-00	WASHER 2	1	
23	90201-12195-00	WASHER, PLATE	2	
24	95701-10300-00	NUT, FLANGE (95702-10300)	2	
25	92990-10200-00	WASHER, PLAIN	2	
26	98902-06020-00	SCREW, BIND	4	
27	92995-06100-00	WASHER, SPRING	4	
28	92901-06600-00	WASHER	4	

8U7100-3320

CONTINUED ON NEXT FRAME ►

Not For Resale  
[www.SmallEngineDiscount.com](http://www.SmallEngineDiscount.com)

# BUMPER



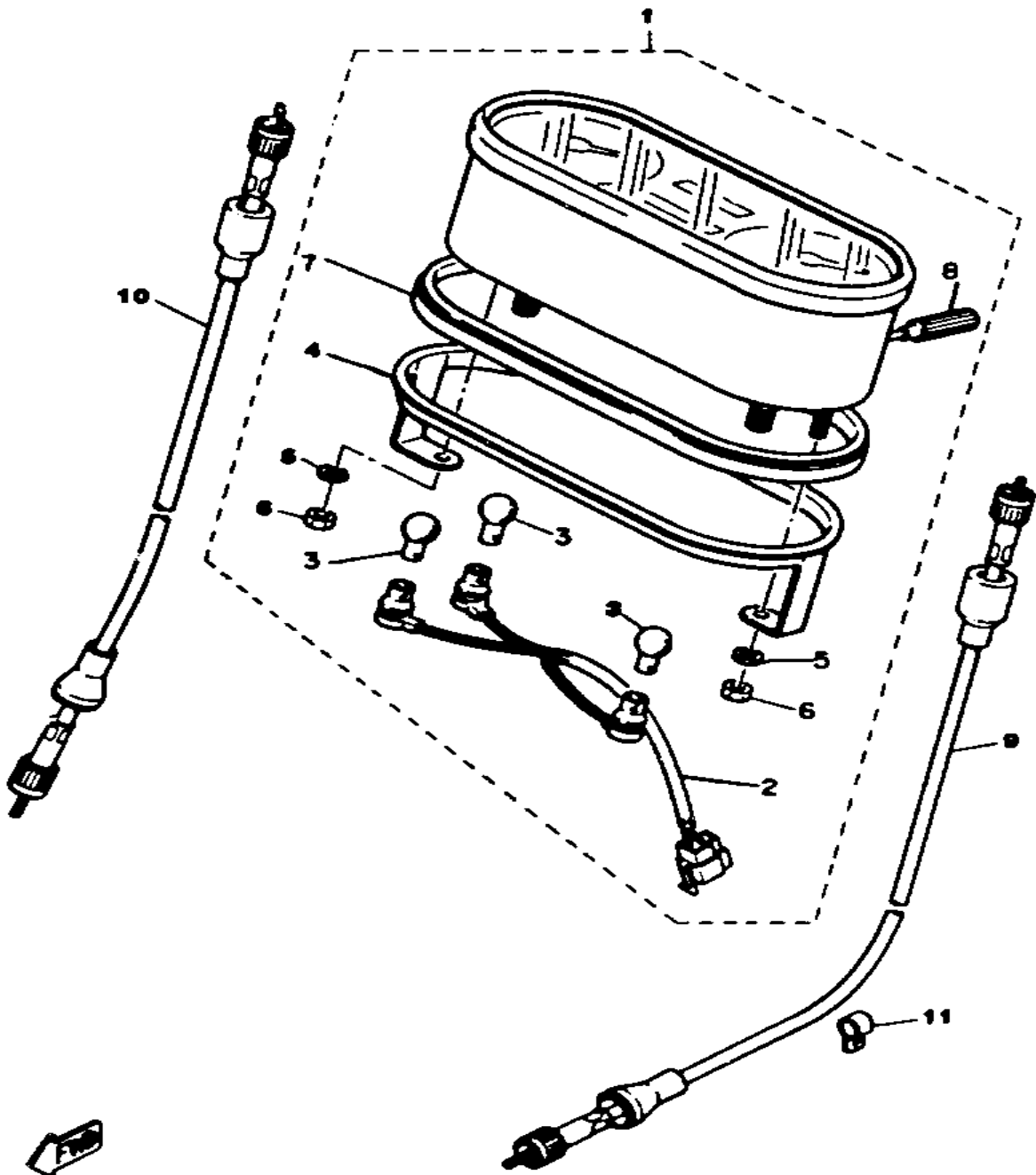
8U7100-3320

Ref. No.	Part Number	Description	Qty	Remarks
29	95380-06600-00	NUT .....	4	
30	8M6-77542-00-00	BUMPER, REAR 2 .....	1	
31	98906-05016-00	SCREW, BIND .....	5	
32	90201-05721-00	WASHER, PLATE .....	10	
33	95701-05300-00	NUT, NYLON .....	5	
34	8M6-77543-00-00	BUMPER, REAR 3 .....	1	
35	8M6-77544-00-00	BUMPER, REAR 4 .....	1	
36	98906-05012-00	SCREW, BIND .....	6	
37	90201-05721-00	WASHER, PLATE .....	6	
38	90267-48086-00	RIVET, BLIND .....	4	
39	98906-06025-00	SCREW, BIND .....	2	
40	95701-06300-00	NUT, NYLON .....	2	
41	92990-06200-00	WASHER .....	2	
42	8V9-77595-00-00	FLAP .....	1	
43	90267-48086-00	RIVET, BLIND .....	5	

Not For Resale

[www.SmallEngineDiscount.com](http://www.SmallEngineDiscount.com)

# METER

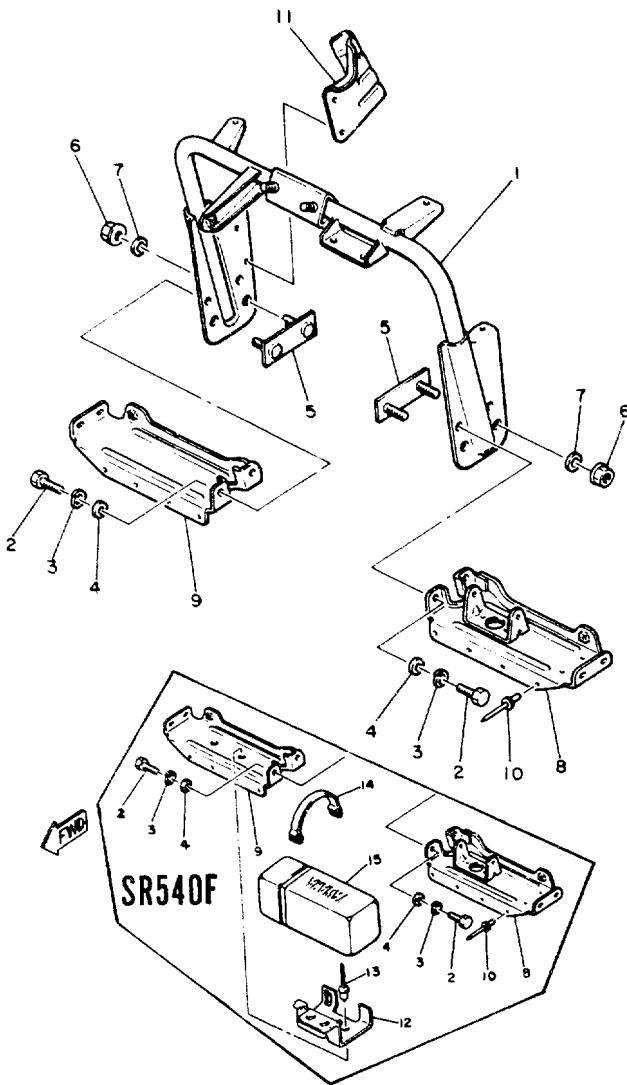


Ref. No.	Part Number	Description	Qty	Remarks
1	81R-83500-40-00	SPEEDOMETER ASSEMBLY ..	1	U.R. mile/h
2	8U9-83536-00-00	. SOCKET, METER .....	1	
3	4G1-84744-00-00	. BULB, MTR.12V3.4W .....	3	
4	8K4-83519-01-00	. BRACKET, METER .....	1	
5	92990-05100-00	. WASHER, SPRING .....	2	
6	95301-05600-00	. NUT .....	2	
7	8K4-83513-00-00	. DAMPER .....	1	
8	8L8-83578-00-00	. KNOB, TRIP METER .....	1	
9	8K4-83550-00-00	SPEEDOMETER CABLE ASSEMBLY .....	1	U.R.
10	8A1-83550-02-00	SPEEDOMETER CABLE ASSEMBLY .....	1	U.R.
11	90461-06M01-00	CLAMP .....	1	

BLB100-1350

Not For Resale  
[www.SmallEngineDiscount.com](http://www.SmallEngineDiscount.com)

# HEADLIGHT

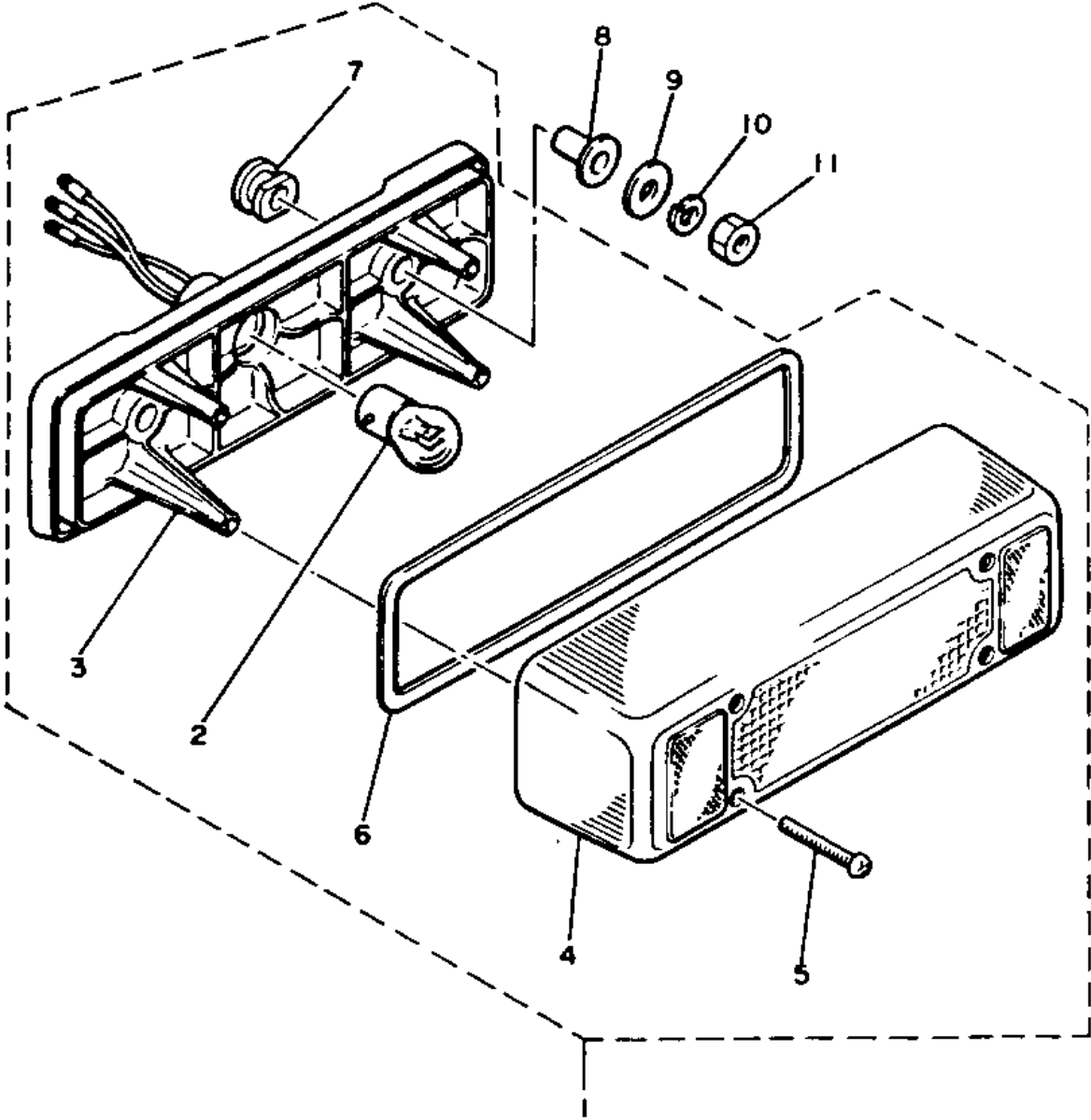


Ref. No.	Part Number	Description	Qty	Remarks
1	8M6-84310-00-00	HEADLIGHT UNIT ASSEMBLY	1	
2	5V2-84314-00-XX	. BULB, HL 12V60/55W (2F9-84314-00)	1	LM
3	8K4-84320-00-00	. LENS ASSEMBLY	1	
4	8A7-84312-00-00	. HOLDER, SOCKET	1	
5	8A7-84397-01-00	. COVER, SOCKET	1	
6	8M6-84331-00-00	. SCREW, RIM ADJUSTING (8A5-84331-00-00)	4	
7	8A5-84332-00-00	. SPRING, SCREW	4	
8	8K4-84374-00-00	. CLIP	4	
9	8H8-84359-00-00	CORD, HEADLIGHT	1	
10	90464-10038-00	CLAMP	1	
11	90465-08028-00	CLAMP	2	

Not For Resale

[www.SmallEngineDiscount.com](http://www.SmallEngineDiscount.com)

# TAILLIGHT

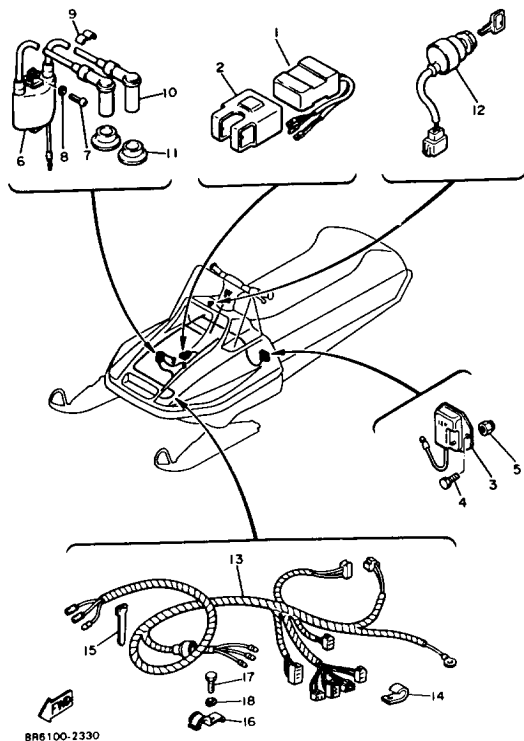


Ref. No.	Part Number	Description	Qty	Remarks
1	8K4-84710-00-00	TAILLIGHT UNIT ASSEMBLY ..	1	
2	137-84714-61-00	. BULB, TL 12V23/8W (J50-83311-00) .....	1	
3	8K4-84711-00-00	. BASE, TAILLIGHT .....	1	
4	8K4-84721-00-00	. LENS, TAILLIGHT .....	1	
5	97780-40130-00	. SCREW, PANHEAD TAPPING (97701-40130-00) .....	4	
6	87M-84723-00-00	. GASKET, TAIL LENS .....	1	
7	8K4-84718-00-00	. GROMMET .....	2	
8	90387-060G8-00	COLLAR .....	2	
9	90201-06407-00	WASHER, PLATE (90201-06747-00) .....	2	
10	92990-06100-00	WASHER, SPRING .....	2	
11	95380-06600-00	NUT .....	2	

Not For Resale

www.SmallEngineDiscount.com



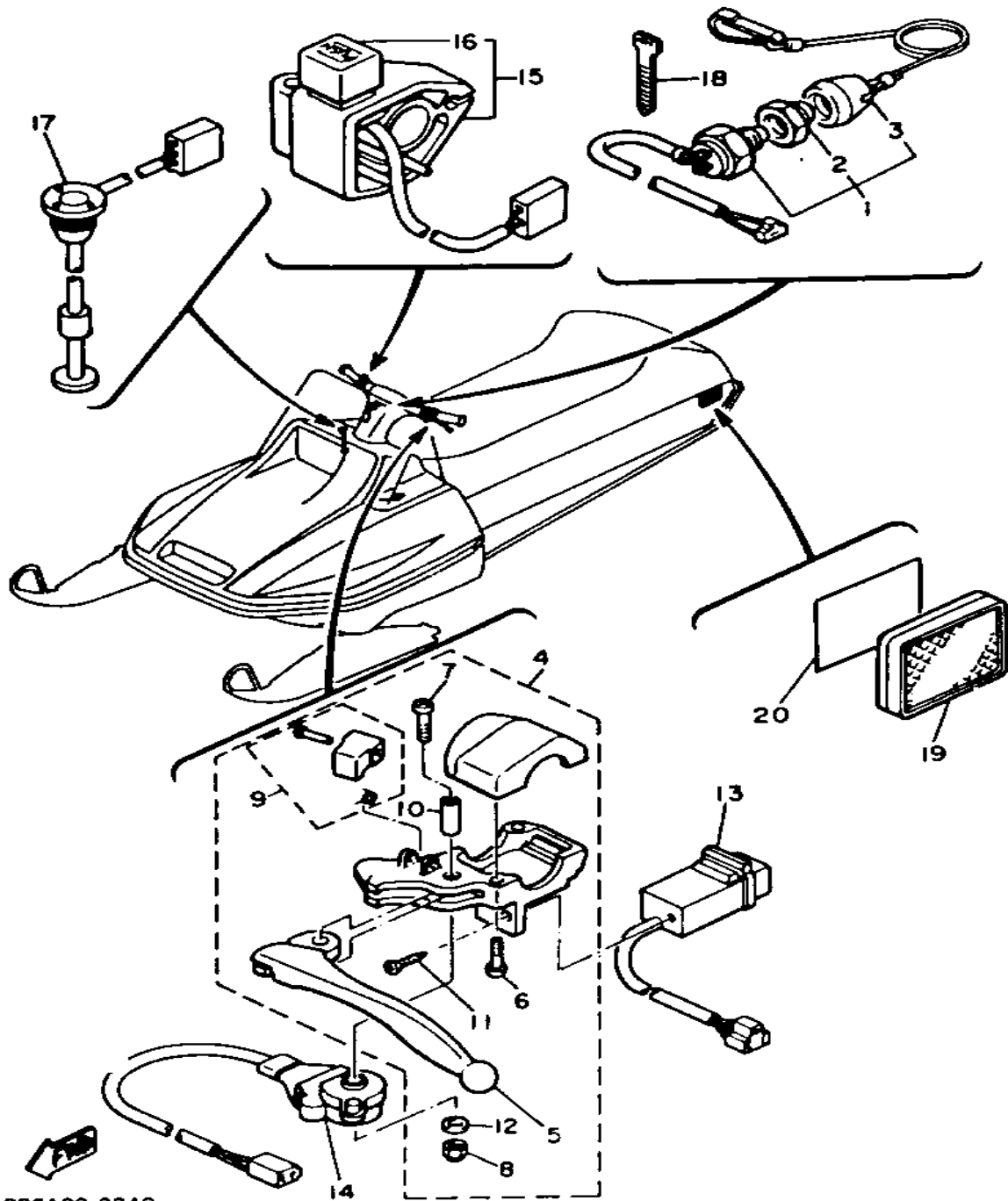


# ELECTRICAL 1

Ref. No.	Part Number	Description	Qty	Remarks
1	8N4-85540-20-00	CDI UNIT ASSEMBLY .....	1	
2	2A7-85546-00-00	BAND .....	1	
3	82F-81910-A0-00	VOLTAGE REGULATOR ASSEMBLY .....	1	
4	97301-06014-00	BOLT, HEXAGON .....	2	
5	95701-06300-00	NUT, NYLON .....	2	
6	8V8-82310-10-00	IGNITION COIL ASSEMBLY ...	1	
7	92580-06020-00	SCREW, PAN HEAD .....	2	
8	92995-06100-00	WASHER, SPRING .....	2	
9	861-82361-00-00	CLAMP, CORD .....	1	
10	8K1-82370-20-00	PLUG CAP ASSEMBLY (WITH RESISTOR) .....	2	
11	8G5-82372-00-00	SEAL, PLUG CAP .....	2	
12	8K4-82508-20-00	MAIN SWITCH ASSEMBLY ...	1	
13	8V8-82590-20-00	WIRE HARNESS ASSEMBLY ..	1	
14	90465-08028-00	CLAMP .....	1	
15	437-83936-01-00	BAND, SWITCH CORD .....	1	
16	90462-06079-00	CLAMP .....	1	
17	97013-06012-00	BOLT .....	1	
18	92995-06100-00	WASHER, SPRING .....	1	

Not For Resale  
[www.SmallEngineDiscount.com](http://www.SmallEngineDiscount.com)

# ELECTRICAL 2

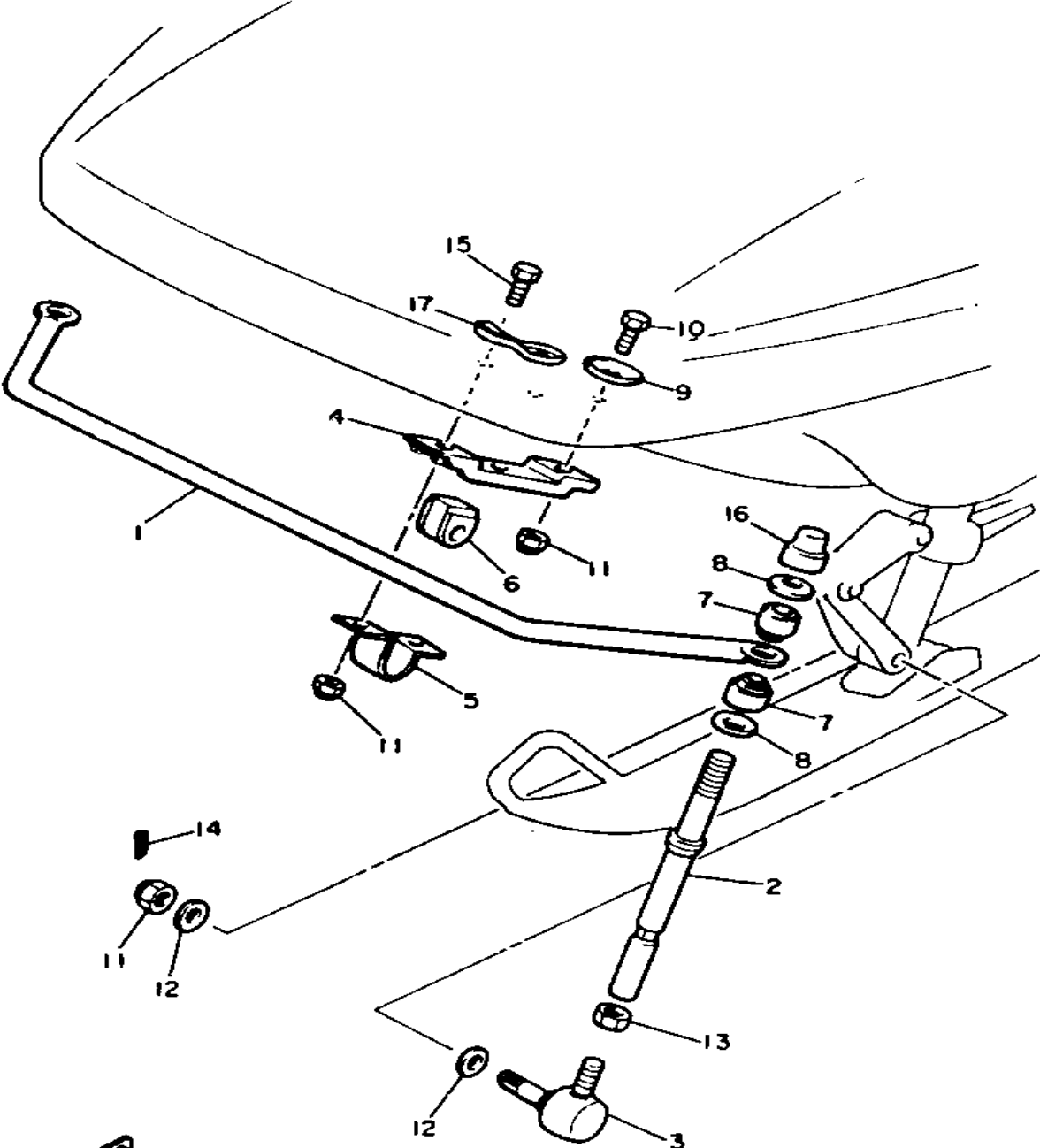


Ref. No.	Part Number	Description	Qty	Remarks
1	8H8-82550-01-00	ENGINE STOP SWITCH ASSEMBLY	1	
2	8H8-82557-00-00	. NUT	1	
3	8H8-82552-09-00	. CAP, SWITCH	1	
4	88R-W8291-00-00	LEVER HOLDER ASSEMBLY (LEFT)	1	
5	8H8-83912-00-00	. LEVER 1	1	
6	90157-05027-00	. SCREW, PAN HEAD	2	
7	98501-05040-00	. SCREW, PAN HEAD (98502-05040)	1	
8	95701-05300-00	. NUT, NYLON	1	
9	82A-83930-00-00	. LEVER LOCK ASSEMBLY	1	
10	802-83913-00-00	. COLLAR, LEVER 1	1	
11	97780-30312-00	. SCREW, tapping	2	
12	92990-05200-00	. WASHER, PLAIN	1	
13	8H8-83950-01-00	BEAM SWITCH ASSEMBLY (8K4-83950-01-00)	1	
14	88R-82530-00-00	STOP SWITCH ASSEMBLY	1	
15	8L8-83976-00-00	SWITCH, HANDLE 1	1	
16	8E3-83956-01-00	. CAP 1	1	
17	4A5-85720-00-00	OIL LVL GAUGE ASSEMBLY (8K2-85720-00)	1	
18	437-83936-01-00	BAND, SWITCH CORD	1	
19	81G-85130-00-00	REAR REFLECTOR ASSEMBLY	2	
20	878-85133-00-00	TAPE, REFLECTOR	2	

Not For Resale

www.SmallEngineDiscount.com

# ALTERNATE (BODY RIG - )



Ref. No.	Part Number	Description	Qty	Remarks
1	(8L9-2386E-10-00)	BAR, STABLZR FRONT	1	
2	8L9-2386F-10-00	LINK, STABLZR FRONT	2	
3	8L9-23841-10-00	JOINT, UNIVERSAL 1	2	
4	8L9-23896-10-00	BRACKET 5	2	
5	8M6-2386H-10-00	COVER, STABLZR FRT	2	
6	8L9-2386G-10-00	BUSH, STABLZR FRONT	2	
7	8L9-2386J-10-00	CUSHION	4	
8	8L9-2386K-10-00	RETAINER	4	
9	8L9-23779-10-00	WASHER	2	
10	ø97-30610-02-00	BOLT	2	
11	95706-10300-00	NUT, NYLON	10	
12	90201-115A7-00	WASHER, PLATE	4	
13	95306-10700-00	NUT	2	
14	91402-20018-00	PIN, cotter	2	
15	ø97-30610-02-50	BOLT	4	
16	8L9-23742-10-00	CAP 2	2	
17	8L9-23774-10-00	PLATE	2	
18	8U7-2386N-10-00	BUSH, STABILIZER	2	
19	90460-16192-00	CLAMP, HOSE	2	

BR6100-2380

Not For Resale  
[www.SmallEngineDiscount.com](http://www.SmallEngineDiscount.com)

# SERVICE DATA

YAMAHA D/E 91683 RA 833-012

## SR540H 1984 SERVICE/HIGH ALTITUDE TUNING DATA

Model - Unit ID Number	SR540H	BY
Starting Engine Number / Frame Number	S4S36-040901 / 8V9-060901	

Ignition - Type / Induction System	2-Stroke, Forced-air Cooled, Reed Valve
Bore / Stroke / Number Cylinders / Displacement	73.0mm / 64.0mm / 2 / 536cc
Compression Ratio	8.0:1
Piston Pin Clearance New / Max	0.025 ~ 0.060mm / 0.10mm
Ring End Gap Top / 2nd	0.2 ~ 0.4mm / 0.2 ~ 0.4mm
Ring Groove Clearance Top / 2nd	0.02 ~ 0.05mm / 0.02 ~ 0.05mm
Coatting Type / Mixing Ratio	0

Dimensions - Main Jet / Size / Qty / Lub. Standard	46mm - 8D44-38 / 44-33mm / 2 / 88-01
Main Jet / Main Air Jet	150 / 180
Slow Jet / Slow Air Jet / Air Screw	92 / 100 / 0
Pilot Jet / Pilot Screw	0 / 2 Turns Out
Needle Jet / Jet Needle-Clip Position / Cutaway / Air Jet	01 / 01 / 0
Power Jet / Power Air Jet	150 / 170
Fuel Inlet Valve - Float Level	2.0 / 15.3mm
Idle Speed	1500rpm

Dimensions - Pump Color / Control Rod Adjustment	Green / 25 ± 1mm @ Idle @ Pump Wre Assembly
Pump Plunger Stroke Min / Max	0.20 ~ 0.25mm / 1.65 ~ 1.87mm
Output @ 200 Strokes Full Throttle / Idle	7.84 ~ 8.89cc / 0.9% ~ 1.9cc

Dimensions - Engagement Area / Shim Size	3700 ± 100rpm / 7000 ± 100rpm
Shim Length / Width / Wear Limit / Shim Number	109mm / 31.6mm / 20mm / B2
Shim Groove Center-to-center / Offset	270.3mm / 41 ± 0.5mm
Primary Spring Color / Length / Rate / Preload	Red-SH / 80.0mm / 1.73kg/mm / 28 kg
Secondary Spring Preload / Color	30° (B-1) / Pink
Secondary Drive Ratio / Chain Free Play	17.31 / 10.3mm
Track Width / Tension	15in / 25 ~ 30mm @ 10kg

Dimensions - Chain Case/Bear Case Cap. Type	250cc / 0 (SAE 80W90 API GL-4)
Fuel Tank Capacity / Type	26.6 Lit / Regulator
Autolube Tank Capacity / Type	2.5 Lit / Yamaha L2

Dimensions - Size / Type	Mitsubishi / CDI
Battery Model / Specific Gravity / Charge Rate	0
Charging Coil Color Code / Resistance	0
Headlight / Taillight / Meter Light Ratings	12V60-65W / 12V23-8W / 12V3.4W
Lighting Coil Color Code / Resistance / Output	1W ~ 8W / 0.190 ± 10% / 12V100W
Handbar Heater Coil Color Code / Resistance	1W~8W ~ 8W / 0.660 ± 10%
Ignition Coil Resistance Primary / Secondary	0.150 ± 10% / 3.5KΩ ± 20%
Source Coil Color Code / Resistance	8W ~ 5W / 1.700 ± 10%
Pulse Coil Color Code / Resistance	1W~8W ~ 8W / 1.70 ± 12%
Spark Plug Type / Gap / Torque	HXK BR9EV / 0.7 ~ 0.8mm / 2.7m-tg
Ignition Timing	15mm BTDC

Service Code	SR 540H	MECH	MECH	MECH	MECH	MECH
OPC Code	SR 540H	SR540H	SR540H	SR540H	SR540H	SR540H

YAMAHA D/E 91683 RA 833-012

### SERIES HIGH ALTITUDE SPECIFICATIONS

	STANDARD SETTING	HIGH ALTITUDE
Idle	1500rpm	Standard
Clutch Engagement	3700 ± 200rpm	4200 ± 200rpm
Shift Speed	7000 ± 200rpm	Standard
Main Jet	#150	See Setting Chart
Slow / Pilot Jet	# 92	#100 (or as required)
Low Speed Mixture Screw	2.0 Turns Out	Standard
Gear Reduction	Red-SH	See Sprocket Chart
Primary Spring	Red-SH	0m-SH (U7-17643-10-00)
Primary Weight	8U7-17633-11-00 (Orig)	8U7-17633-11-00 (Orig)
Secondary Spring Preload	30° (A-2)	30° (A-2)

ELEVATION	TEMP							JET SIZE	PART NUMBER
	-30°C -22°F	-20°C -4°F	-10°C 14°F	0°C 32°F	10°C 50°F	20°C 68°F	30°C 86°F		
Sea Level to 999ft	← #150 →							#150	8A6-14516-55-00
999ft to 3999ft	← #145 →							#145	8A6-14516-45-00
4000 to 9999ft	← #140 →							#140	8A6-14516-40-00
9999ft to 19999ft	← #135 →							#135	8A6-14516-35-00
20000 to 29999ft	← #130 →							#130	8A6-14516-30-00
30000 to 39999ft	← #125 →							#125	8A6-14516-25-00
40000 to 49999ft	← #120 →							#120	8A6-14516-20-00
50000 to 99999ft	← #115 →							#115	8G6-14948-27-00
100000 to 199999ft	← # 95 →							# 95	8G6-14948-25-00

ELEVATION	DRIVEN SPROCKET		SPROCKET	PART NUMBER
	DRIVEN SPROCKET	DRIVEN SPROCKET		
Sea Level ~ 5000ft	3rd ~ 1st	3rd	151	878-17482-60-00
4000ft ~ 8000ft	1st ~ 1st	3rd	151	878-17482-50-00
7000ft ~ Above	1st	3rd	331	888-47587-00-00

PUBLICATION	PART NUMBER	REMARKS
Owner's Manual	U7-12628-00-54	
Service Manual	U7-12618-00-54	Supp. to SR540E (E0-37), F (E0-42), and G (E0-49)
Assembly Manual	U7-12608-00-54	Supp. to Basic Assembly Manual (U7-11666-00-52)

0 = Does Not Apply to This Model NA = Information Not Available

Service Code	SR 540H	MECH	MECH	MECH	MECH	MECH
OPC Code	SR 540H	SR540H	SR540H	SR540H	SR540H	SR540H

# SERVICE DATA

YAMAHA D/E 91683 RA 833-012

## SR540H 1984 SERVICE/HIGH ALTITUDE TUNING DATA

Model - Unit ID Number	SR540H	BY
Starting Engine Number / Frame Number	S4S36-040901 / 8V9-060901	

Ignition - Type / Induction System	2-Stroke, Forced-air Cooled, Reed Valve
Bore / Stroke / Number Cylinders / Displacement	73.0mm / 64.0mm / 2 / 536cc
Compression Ratio	8.0:1
Piston Pin Clearance New / Max	0.025 ~ 0.060mm / 0.10mm
Ring End Gap Top / 2nd	0.2 ~ 0.4mm / 0.2 ~ 0.4mm
Ring Groove Clearance Top / 2nd	0.02 ~ 0.05mm / 0.02 ~ 0.05mm
Coatting Type / Mixing Ratio	0

Dimensions - Main Jet / Size / Qty / Lub. Standard	46mm - 8D44-38 / 44-33mm / 2 / 88-01
Main Jet / Main Air Jet	150 / 180
Slow Jet / Slow Air Jet / Air Screw	92 / 100 / 0
Pilot Jet / Pilot Screw	0 / 2 Turns Out
Needle Jet / Jet Needle-Clip Position / Cutaway / Air Jet	01 / 01 / 0
Power Jet / Power Air Jet	150 / 170
Fuel Inlet Valve - Float Level	2.0 / 15.3mm
Idle Speed	1500rpm

Dimensions - Pump Color / Control Rod Adjustment	Green / 25 ± 1mm @ Idle @ Pump Wre Assembly
Pump Plunger Stroke Min / Max	0.20 ~ 0.25mm / 1.65 ~ 1.87mm
Output @ 200 Strokes Full Throttle / Idle	7.84 ~ 8.89cc / 0.9% ~ 1.9cc

Dimensions - Engagement Area / Shim Size	3700 ± 100rpm / 7000 ± 100rpm
Shim Length / Width / Wear Limit / Shim Number	109mm / 31.6mm / 20mm / B2
Shim Groove Center-to-center / Offset	270.3mm / 41 ± 0.5mm
Primary Spring Color / Length / Rate / Preload	Red-SH / 80.0mm / 1.73kg/mm / 28 kg
Secondary Spring Preload / Color	30° (B-1) / Pink
Secondary Drive Ratio / Chain Free Play	17.31 / 10.3mm
Track Width / Tension	15in / 25 ~ 30mm @ 10kg

Dimensions - Chain Case/Bear Case Cap. Type	250cc / 0 (SAE 80W90 API GL-4)
Fuel Tank Capacity / Type	26.6 Lit / Regulator
Autolube Tank Capacity / Type	2.5 Lit / Yamaha L2

Dimensions - Size / Type	Mitsubishi / CDI
Battery Model / Specific Gravity / Charge Rate	0
Charging Coil Color Code / Resistance	0
Headlight / Taillight / Meter Light Ratings	12V60-65W / 12V23-8W / 12V3.4W
Lighting Coil Color Code / Resistance / Output	1W ~ 8W / 0.190 ± 10% / 12V100W
Handbar Heater Coil Color Code / Resistance	1W~8W ~ 8W / 0.660 ± 10%
Ignition Coil Resistance Primary / Secondary	0.150 ± 10% / 3.5KΩ ± 20%
Source Coil Color Code / Resistance	8W ~ 5W / 1.700 ± 10%
Pulse Coil Color Code / Resistance	1W~8W ~ 8W / 1.70 ± 12%
Spark Plug Type / Gap / Torque	HXK BR9EV / 0.7 ~ 0.8mm / 2.7m-tg
Ignition Timing	15mm BTDC

Service Code	SR 540H	MECH	MECH	MECH	MECH	MECH
OPC Code	SR 540H	SR540H	SR540H	SR540H	SR540H	SR540H

Not For Resale  
www.SmallEngineDiscount.com

# TECHNICAL BULLETIN

DATE: September 14, 1983

## GENERAL HIGH ALTITUDE COMPENSATION PROGRAM

A new Snowmobile High Altitude Compensation Program has been created to let each dealership set up its machines to specifications appropriate to its market area. Use the following procedure to set up machines for high altitude and receive credit.

mine the parts needed to set up each customer's machine for his intended high-altitude use.

NOTE: SR250 and PZ480 models require high-altitude special changes only when used in heavy, wet snow or for towing heavy loads.

### AFFECTED MODELS

All 1984 "X" models  
All noncurrent models invoiced after April 1, 1983

### PROCEDURE

1. Using the appropriate 1984 Service/High Altitude Tuning Data Technical Bulletin, determine the parts needed to set up each customer's machine for his intended high-altitude use.

2. Order the parts and install them on each machine when setting them for high altitude use.

3. To receive credit for the high altitude modifications, fill in the primary I.D. and date of invoice for each model modified on a Snowmobile High Altitude Compensation Program form as shown below.

DATE: September 14, 1983

4. Send the completed forms to the Warranty Department along with your normal warranty correspondence.

5. Upon receipt of the forms, your parts account will be credited as follows:

MODEL	CREDIT PER UNIT
SR250	
SS440	
ET300	
PZ480	
EC340	
PZ480SE	
ET340	
SR540	
ET340T	
VX0540	

If you have any questions regarding the Snowmobile High Altitude Compensation Program, contact your Regional Technician/Adviser.

PAGE 2 OF 2

# TECHNICAL BULLETIN

SNOWMOBILE DATE: 12-16-83 No. 883-016

DATE: March 28, 1984

## ALL 1984 MODELS PREDELIVERY CHAINCASE OIL LEVEL CHECK

The gearcase oil level must be checked on all 1984 snowmobile models during pre-delivery servicing. Some units left the factory with an inadequate amount of oil in the chaincase. Oil must be added to these units prior to delivery to the customer. If the chaincase oil was not checked during pre-delivery of a sold unit, the customer must be contacted and instructed in checking the chaincase oil.

### SOLD UNITS

If there is a chance the chaincase oil level was not checked on a sold affected unit, contact the customer immediately, instruct him to check the chaincase oil as directed above and to add oil as needed.

### CHAINCASE OIL QUANTITIES

SR250H: 200cc	SS440H: 250cc
ET300H: 450cc	PZ480H: 250cc
EC340H: 400cc	PZ480SEH: 250cc
ET340H: 400cc	SR540H: 250cc
ET340TH: 400cc	VX0540H: 250cc

### AFFECTED UNITS

All SR250H	All ET340H	All PZ480H
All ET300H	All ET340TH	All PZ480SEH
All EC340H	All SS440H	All SR540H
		All VX0540H

### PROCEDURE

#### UNSOLD UNITS

During pre-delivery service of each affected unit, check the chaincase oil level by inserting a thin, wire rod into the chain case filler hole until it reaches the bottom. Withdraw the rod and check the oil level; if no oil appears on the rod, add the proper amount of chaincase oil. Use SAE 80W/90 API GL-4 gear lubricant.

### WARRANTY

The warranty labor allowance for adding oil to units which require it is 0.1 hour; this amount covers both the oil and the labor. The problem code is 91 E. To receive credit, follow standard service-per-bulletin procedures.

Since checking the chaincase oil is a part of pre-delivery service, any warranty requests for damage due to lack of oil will be refused.

## SR540H VAPOR LOCK KIT

A kit is available from Yamaha Parts Distributors Inc. for installation on affected units that experience vapor lock when operated at altitudes higher than 6000 ft. above sea level. The kit consists of a cooling duct assembly to provide more air to the engine, and an intake duct assembly that allows the engine to draw cool air from the instrument panel area.

### PROCEDURE

Complete installation instructions are provided with the kit. When installing the kit, note the following:

- When cutting the panel for the intake duct, loosen the panel and pull it away from the fuel tank to provide clearance.

- Carefully cut the panel with an X-acto® knife along the edges indicated.

### AFFECTED UNITS

SR540H units that have experienced vapor lock

### PARTS INFORMATION

PART NUMBER	DESCRIPTION	REMARKS	DEALER COST
908P1-50050-00	Vapor Lock Kit	Resolves vapor lock	

### WARRANTY

Warranty will cover the installation of this kit only on affected units which have experienced vapor lock. The warranty labor allowance is 1.0 hour.

The problem code is 90PL. To receive credit, follow standard service-per-bulletin procedures.

SERVICE COPY	SR MGR	MGR	MGR	MGR	MGR
OFFICE COPY	SR MGR	SALES	PARTS	BOOKS	PAGE 1 OF 1

YAMAHA MOTOR CORPORATION, U.S.A. CYRUS, CALIFORNIA

SERVICE COPY	SR MGR	MGR	MGR	MGR	MGR
OFFICE COPY	SR MGR	SALES	PARTS	BOOKS	PAGE 1 OF 1