



**YAMAHA**

**GENUINE**

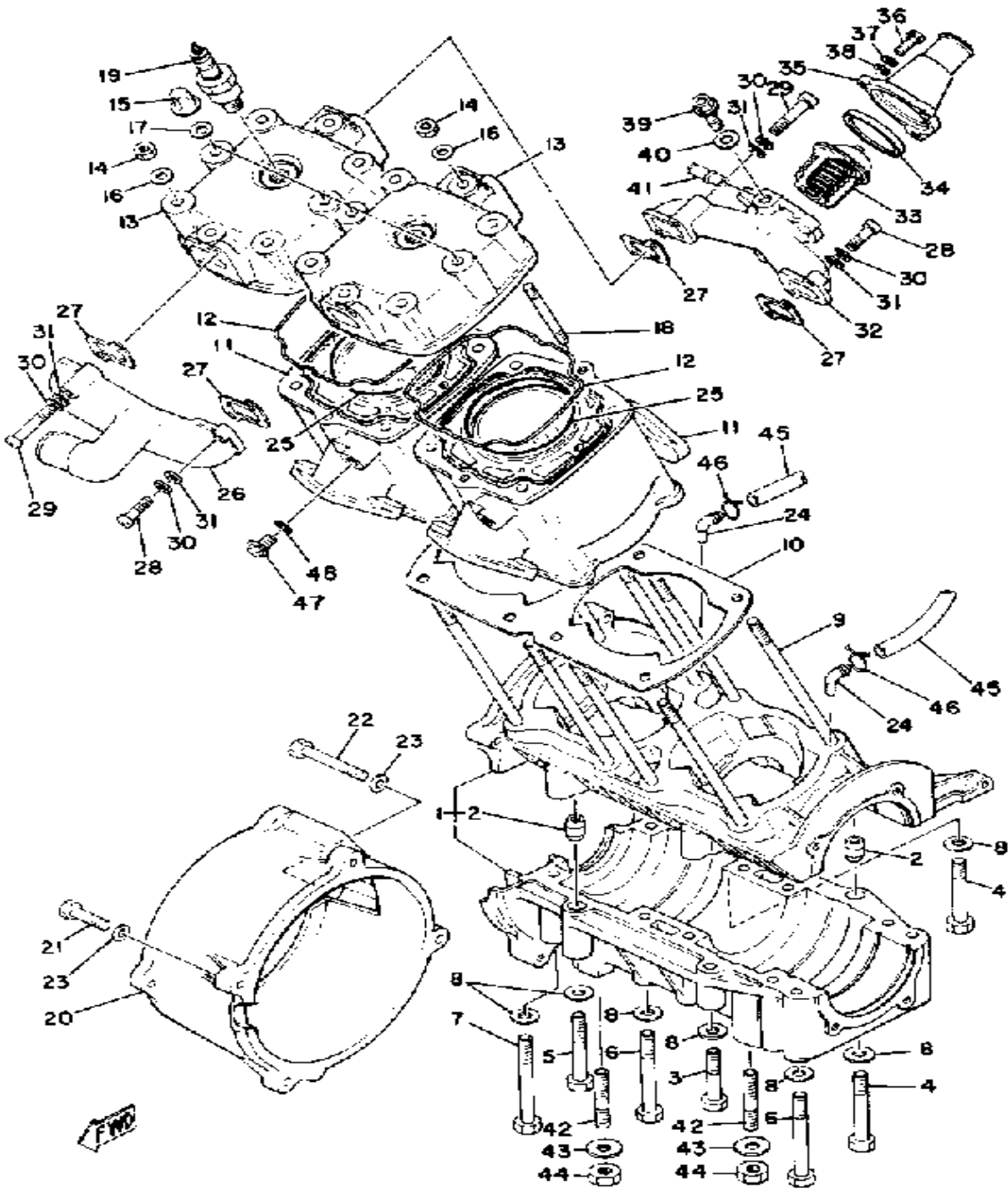
**PARTS CATALOGUE**

**SNOWMOBILE**

Property of [www.SmallEngineDiscount.com](http://www.SmallEngineDiscount.com) - Not for Resale

A1

# CYLINDER - CRANKCASE

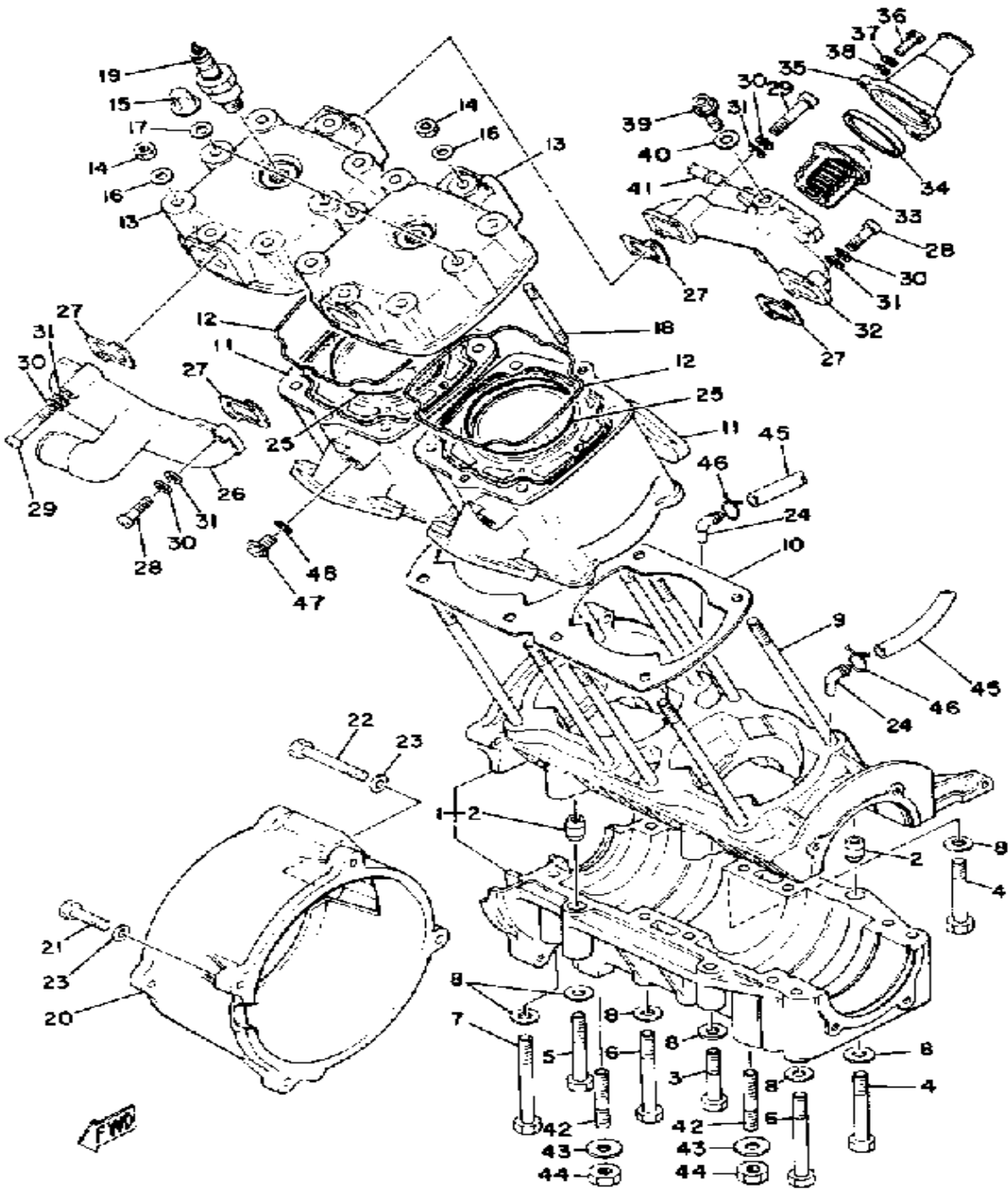


Ref. No.	Part Number	Description	Qty	Remarks
1	(8F2-15100-00-00)	CRANKCASE ASSEMBLY	1	
2	99510-12016-00	. PIN, DOWEL	2	
3	(97311-08050-00)	BOLT, HEXAGON	1	
4	97313-08055-00	BOLT, HEXAGON	2	
5	(97311-08070-00)	BOLT, HEXAGON	1	
6	(97311-08075-00)	BOLT, HEXAGON	8	
7	(97311-08080-00)	BOLT, HEXAGON	2	
8	90201-08086-00	WASHER, PLATE	14	
9	8G9-11361-00-00	BOLT, CYLINDER HOLDING 1	8	NEW DESIGN
10	8H0-11351-00-00	GASKET, CYLINDER	1	
11	8G9-11311-01-00	CYLINDER 1	2	
12	8A7-11181-00-00	GASKET, CYLINDER HEAD 1	2	
13	(8J0-11111-00-00)	HEAD, CYLINDER 1	2	
14	90170-08220-00	NUT	12	
15	90179-08210-00	NUT, SPEC'L SHAPE	4	
16	90201-08100-00	WASHER, PLATE	12	
17	90201-080L7-00	WASHER, PLATE	4	
18	90116-08302-00	BOLT, STUD	8	
19	NGK-B9EV0-00-00	PLUG, SPARK (NGK B9EV)	2	
20	8G9-15421-00-00	COVER, CRANKCASE R	1	
21	97011-06025-00	BOLT (97001-06025)	3	
22	97313-06050-00	BOLT	1	
23	90201-061A5-00	WASHER, PLATE	4	
24	8E4-24461-00-00	PIPE, JOINT	2	
25	93210-78307-00	O-RING	2	
26	(8A7-12498-00-00)	JOINT	1	
27	8A7-13556-00-00	GASKET, MANIFOLD	4	
28	98511-06025-00	SCREW PAN HEAD (92501-06025)	4	

CONTINUED ON NEXT FRAME ►

Property of [www.SmallEngineDiscount.com](http://www.SmallEngineDiscount.com) - Not for Resale

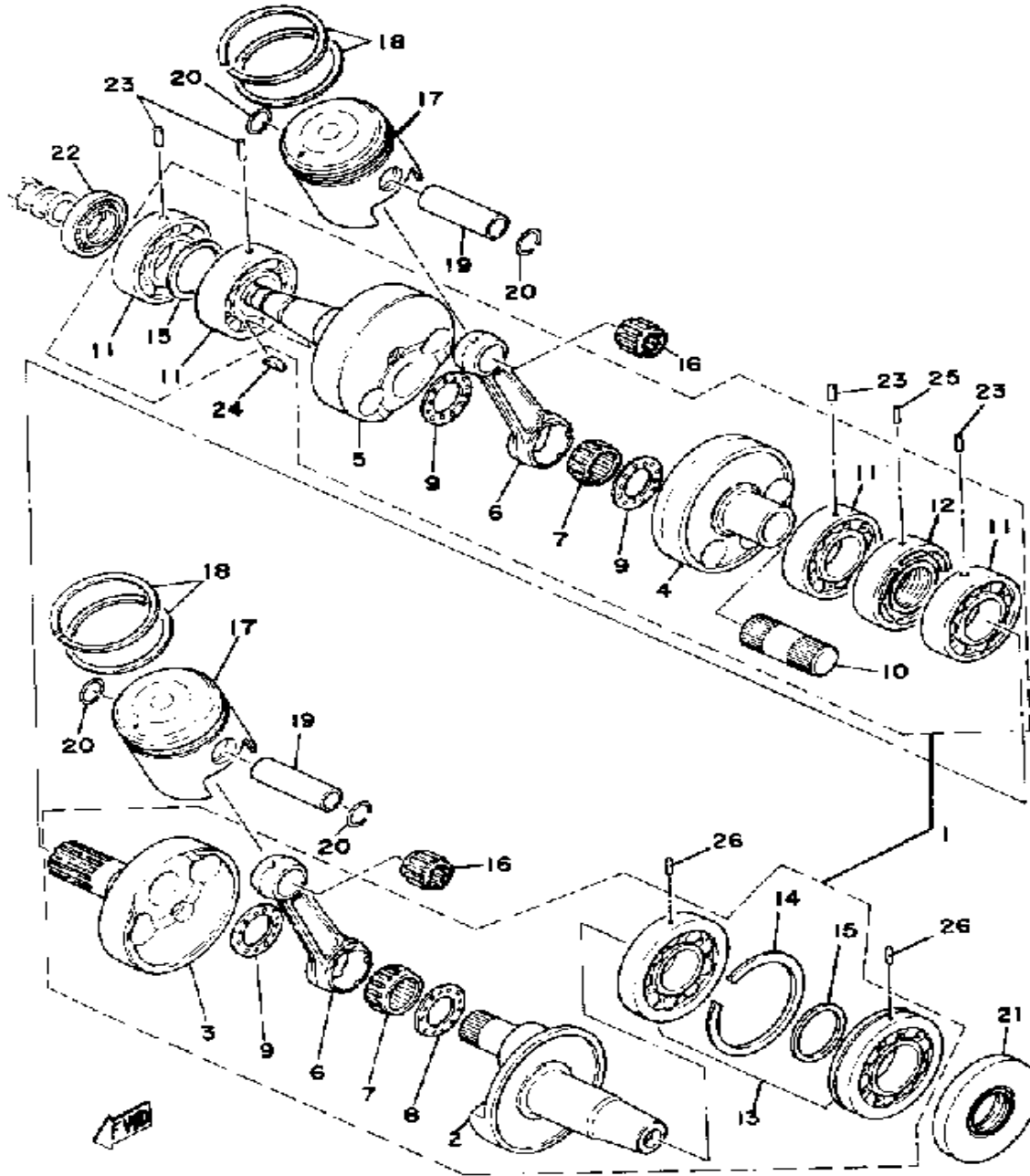
# CYLINDER - CRANKCASE



Ref. No.	Part Number	Description	Qty	Remarks
29	98580-06040-00	SCREW, pan head (92501-06040-00)	4	
30	92995-06100-00	WASHER, SPRING	8	
31	90201-061A5-00	WASHER, PLATE	8	
32	(8A7-11346-00-00)	CASE, THERMOSTAT	1	
33	8G9-12411-03-00	THERMOSTAT	1	
34	8A7-12412-01-00	SEAL, THERMOSTAT	1	
35	8A7-12413-00-00	COVER, THERMOSTAT	1	
36	98580-06020-00	SCREW	3	
37	92995-06100-00	WASHER, SPRING	3	
38	90201-061A5-00	WASHER, PLATE	3	
39	95811-08012-00	BOLT, FLANGE	1	
40	90201-080L7-00	WASHER, PLATE	1	
41	8A7-12499-00-00	JOINT	1	
42	90116-10132-00	BOLT, STUD	4	
43	90201-10322-00	WASHER, PLATE	4	
44	90185-10030-00	NUT, SELF-LOCKING	4	
45	90445-10345-00	HOSE	2	
46	90467-09006-00	CLIP	4	
47	(90340-10051-00)	PLUG, STRAIGHT SCRW	2	
48	93210-11124-00	O-RING (1.6-10.6)	2	

Property of [www.SmallEngineDiscount.com](http://www.SmallEngineDiscount.com) - Not for Resale

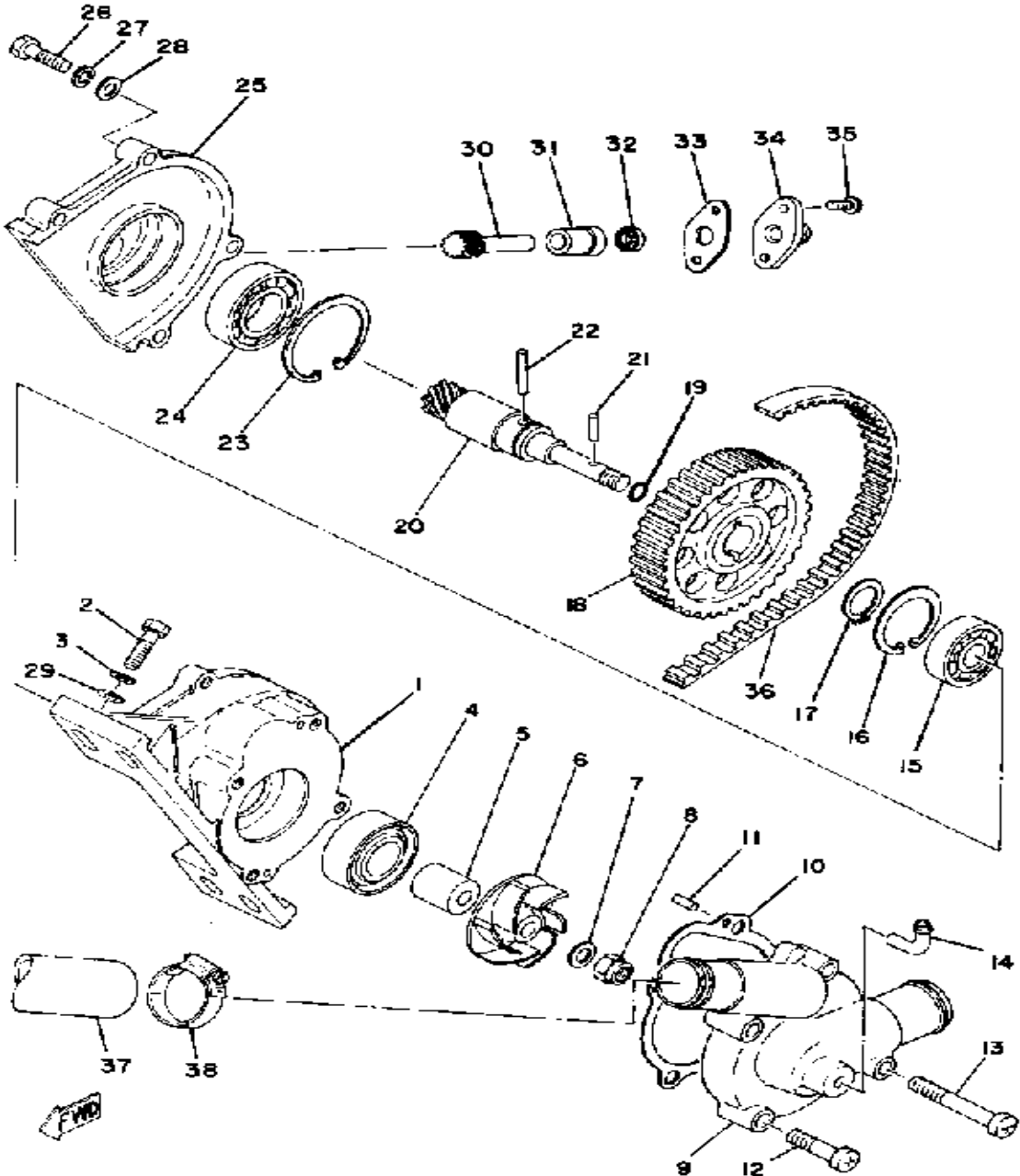
# CRANK - PISTON



Ref. No.	Part Number	Description	Qty	Remarks
1	8G9-11400-00-00	CRANKSHAFT ASSEMBLY	1	
2	8H0-11412-00-00	. CRANK 1	1	
3	8H0-11422-00-00	. CRANK 2	1	
4	8H0-11432-00-00	. CRANK 3	1	
5	8G9-11442-00-00	. CRANK 4	1	
6	8H0-11651-00-00	. ROD, CONNECTING	2	
7	93310-524K4-00	. BEARING	2	
8	8A7-11685-00-00	. WASHER, CRANK PIN	1	
9	90209-24073-00	. WASHER	3	
10	8H0-11681-00-00	. PIN, CRANK 1	1	
11	93306-20633-00	. BEARING	4	
12	(8G9-11515-01-00)	SEAL, LABYRINTH 1	1	
13	8H0-11415-01-00	. BEARING ASSEMBLY 1	1	
14	93440-78011-00	. CIRCLIP, OUTER	1	
15	90201-34683-00	. WASHER, PLATE (90201-33299-00)	2	
16	93310-320G0-00	BEARING	2	
17	8J0-11631-00-93	PISTON STD	2	
18	8G9-11601-00-00	PISTON RINGSET STD	2	
19	8J0-11633-00-00	PIN, PISTON	2	
20	93450-21053-00	CIRCLIP	4	
21	93103-32095-00	OIL SEAL	1	
22	93103-32156-00	OIL SEAL	1	
23	93604-12037-00	PIN, DOWEL	4	
24	90280-05014-00	KEY, WOODRUFF	1	
25	93604-16092-00	PIN, DOWEL	1	
26	93604-07141-00	PIN, DOWEL	2	

Property of [www.SmallEngineDiscount.com](http://www.SmallEngineDiscount.com) - Not for Resale

# WATER PUMP



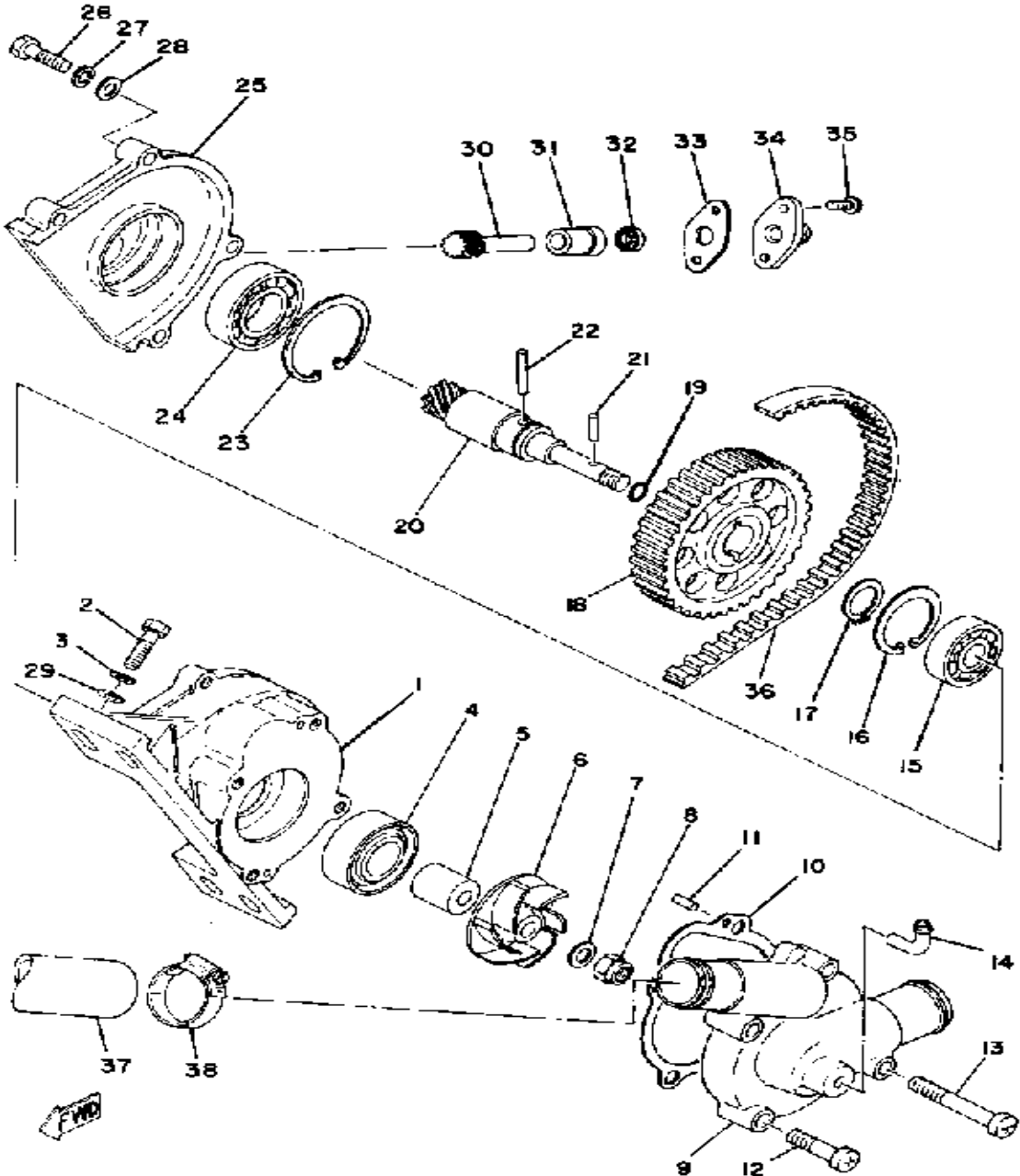
Ref. No.	Part Number	Description	Qty	Remarks
1	(8A7-12421-00-00)	HOUSING, WATER PUMP	1	
2	97011-06020-00	BOLT	4	
3	92995-06100-00	WASHER, SPRING	4	
4	93103-20101-00	OIL SEAL, SW-TYPE	1	
5	90387-08517-00	COLLAR	1	
6	8A7-12451-00-00	IMPELLER, WATER PMP	1	
7	90201-08452-00	WASHER, PLATE	1	
8	90185-08045-00	NUT, SELF-LOCKING	1	
9	(8A7-W1241-01-00)	COVER, HOUSING	1	
10	8A7-12427-00-00	GASKET, HSNG CVR 1	1	
11	93604-10011-00	PIN, DOWEL	2	
12	98580-06030-00	SCREW PAN HEAD	3	
13	98580-06550-00	SCREW PAN HEAD (92503-06050)	1	
14	8A7-12463-00-00	PIPE, BREATHER	1	
15	93306-20117-00	BEARING	1	
16	99009-32500-00	CIRCLIP	1	
17	99009-17400-00	CIRCLIP	1	
18	(8H0-12442-00-00)	PULLEY 2	1	
19	93210-08006-00	O-RING	1	
20	(8A7-12458-00-00)	SHAFT, IMPELLER	1	
21	91690-30012-00	PIN, SPRING	1	
22	(93604-22121-00)	PIN, DOWEL	1	
23	99009-42500-00	CIRCLIP	1	
24	93306-00441-00	BEARING (89A) (B6004RS)	1	
25	(8A7-17811-00-00)	HOUSING, TACH GEAR	1	
26	97011-06025-00	BOLT (97001-06025)	4	
27	92995-06100-00	WASHER, SPRING	4	
28	90201-061A5-00	WASHER, PLATE	4	

CONTINUED ON NEXT FRAME ➤

Property of [www.SmallEngineDiscount.com](http://www.SmallEngineDiscount.com) - Not for Resale



# WATER PUMP

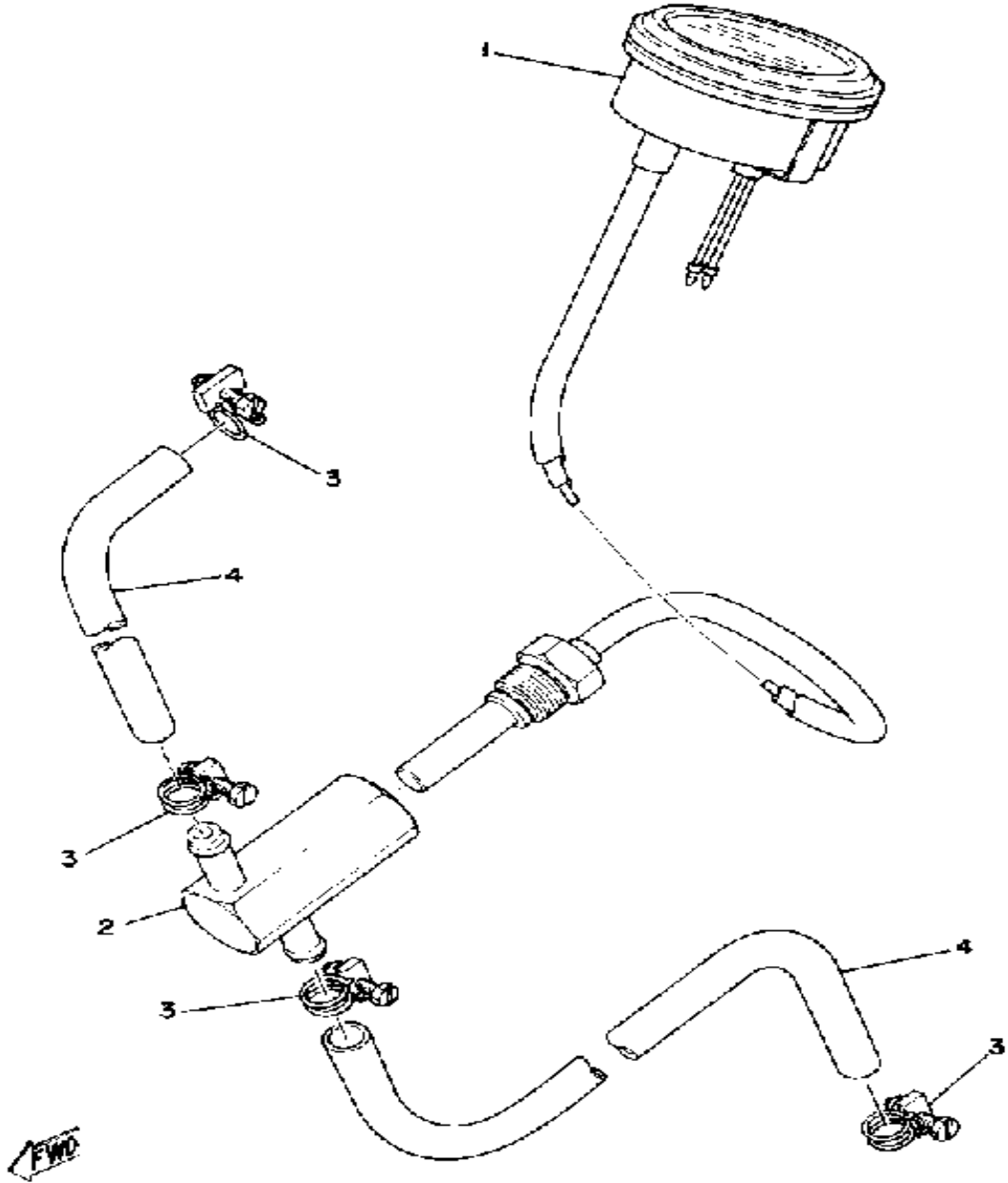


Ref. No.	Part Number	Description	Qty	Remarks
29	90201-06727-00	WASHER, PLATE .....	4	
30	8A7-17841-00-00	GEAR, DRIVEN .....	1	
31	8A7-17843-00-00	BUSH, DRVN GR OUTER .....	1	
32	93104-06033-00	OIL SEAL .....	1	
33	821-17818-02-00	GASKET .....	1	
34	821-17819-00-00	CAP, HOUSING .....	1	
35	98580-05010-00	SCREW, PAN HEAD .....	2	
36	8H0-12444-01-00	BELT 1 .....	1	
37	8A7-12481-00-00	PIPE 1 .....	1	
38	90460-38292-00	CLAMP, HOSE .....	2	

Property of [www.SmallEngineDiscount.com](http://www.SmallEngineDiscount.com) - Not for Resale

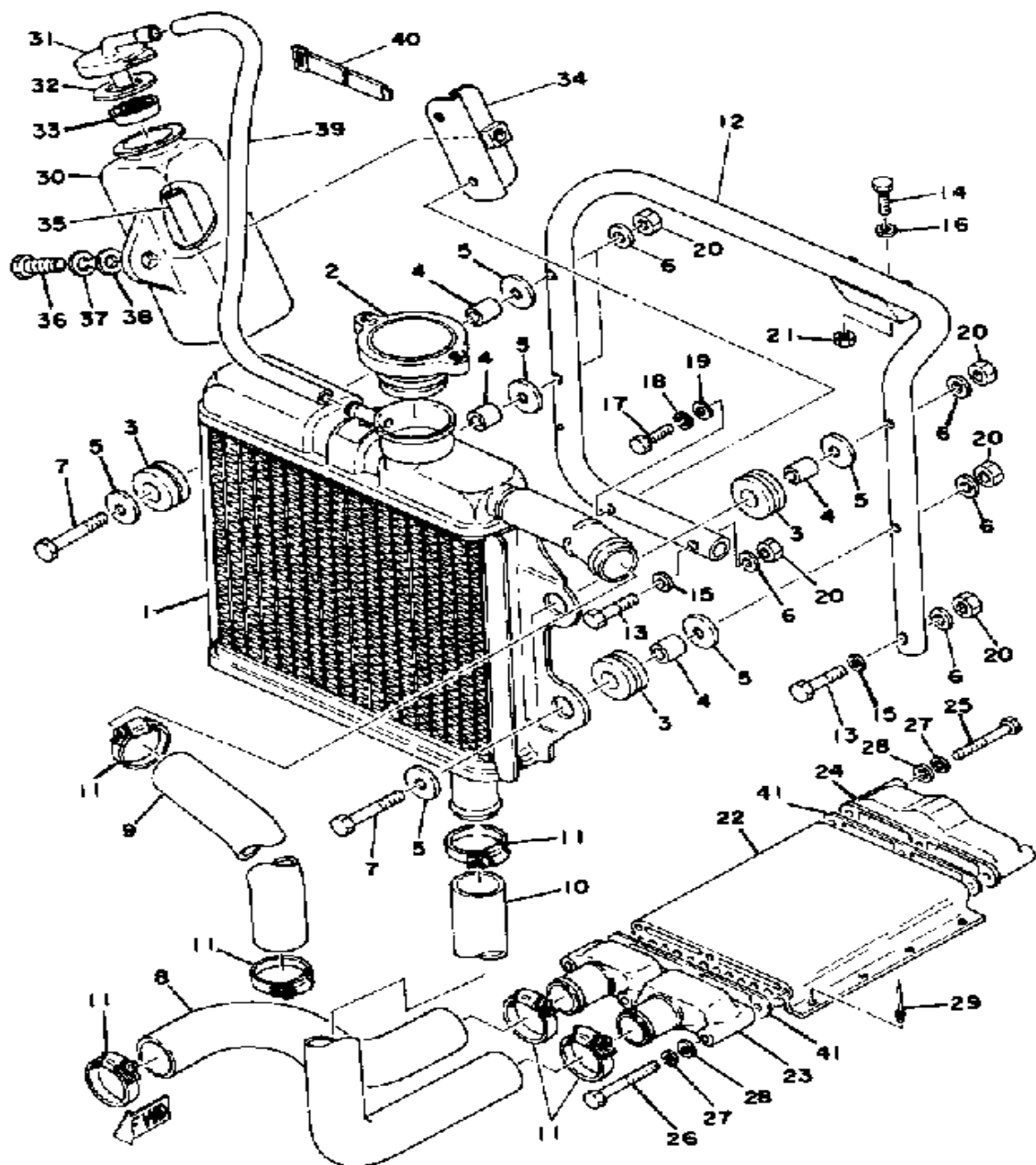
# WATER TEMPERATURE

Ref. No.	Part Number	Description	Qty	Remarks
1	8X6-83590-00-00	WATER TEMP METER .....	1	
2	8A7-12446-01-00	JOINT .....	1	
3	90460-11002-00	CLAMP, HOSE .....	4	
4	90445-11700-00	HOSE .....	2	



Property of [www.SmallEngineDiscount.com](http://www.SmallEngineDiscount.com) - Not for Resale

# RADIATOR



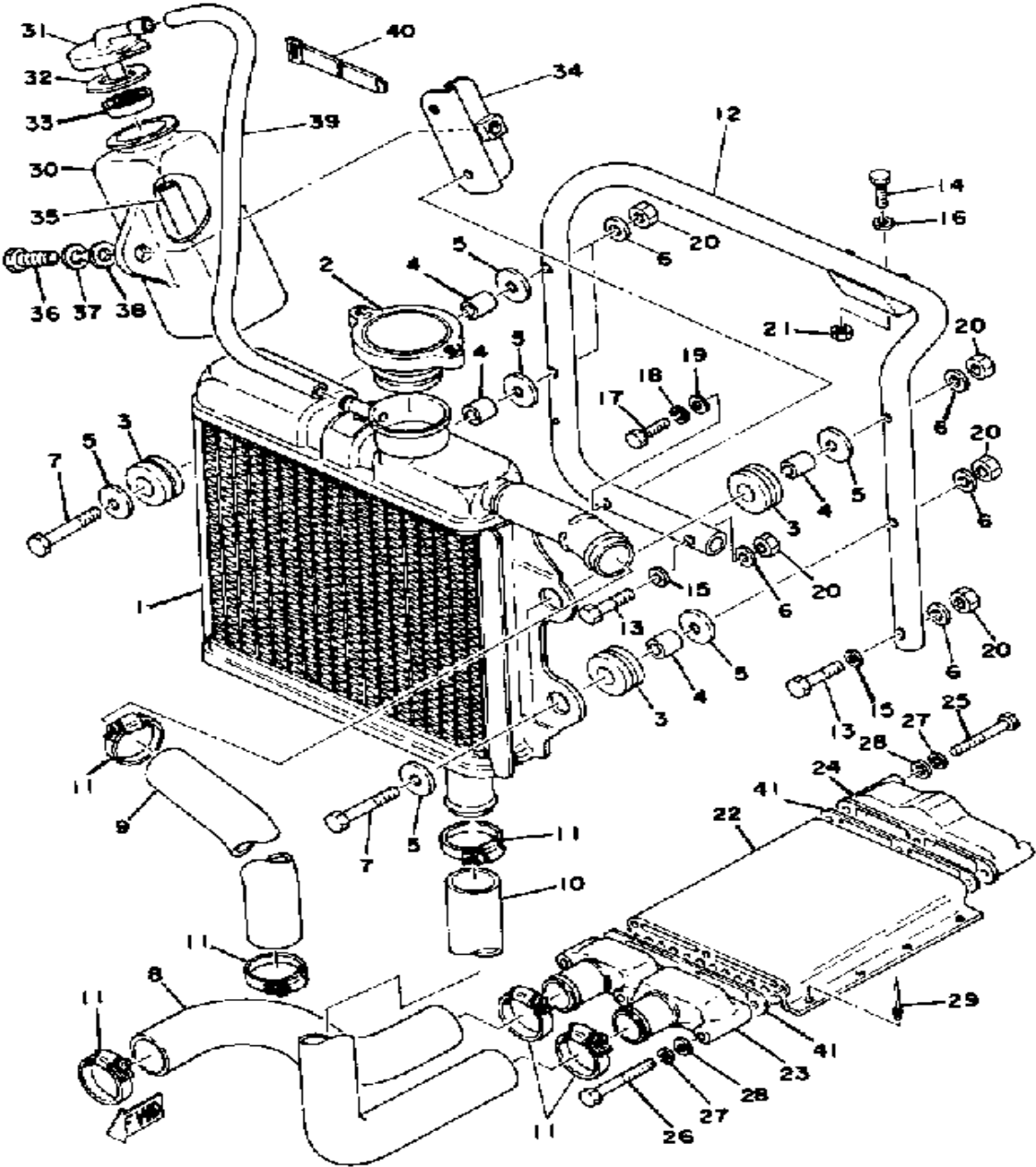
Ref. No.	Part Number	Description	Qty	Remarks
1	8A7-12460-00-00	RADIATOR ASSEMBLY	1	
2	11H-12462-00-00	CAP, RADIATOR	1	
3	90480-20131-00	GROMMET	4	
4	90387-06518-00	COLLAR	4	
5	90201-06067-00	WASHER, PLATE	8	
6	90201-065F3-00	WASHER, PLATE	6	
7	97313-06040-00	BOLT, HEXAGON	4	
8	(8G9-12485-00-00)	PIPE 5	1	
9	8A7-12482-00-00	PIPE 2	1	
10	(8G9-12483-00-00)	PIPE 3	1	
11	90460-38292-00	CLAMP, HOSE	6	
12	(8A7-12464-00-00)	STAY, RADIATOR	1	
13	97021-06030-00	BOLT	2	
14	97313-08018-00	BOLT, HEXAGON (97301-08016)	1	
15	92995-06100-00	WASHER, SPRING	2	
16	92901-08600-00	WASHER	1	
17	97011-06025-00	BOLT (97001-06025)	2	
18	92995-06100-00	WASHER, SPRING	2	
19	90201-06643-00	WASHER, PLATE	2	
20	95601-06100-00	NUT, U	6	
21	95611-08100-00	NUT, U	1	
22	8H0-12466-00-00	EXCHANGER, HEAT	1	
23	8G9-12469-00-00	JOINT 1	1	
24	8G9-12479-00-00	JOINT	1	
25	(97301-05050-00)	BOLT, HEXAGON	3	
26	(97321-05045-00)	BOLT, HEXAGON	3	
27	92990-05100-00	WASHER, SPRING	6	
28	92901-05600-00	WASHER, PLATE	6	
29	90267-48053-00	RIVET, BLIND	8	

CONTINUED ON NEXT FRAME ➤

Property of [www.SmallEngineDiscount.com](http://www.SmallEngineDiscount.com) - Not for Resale



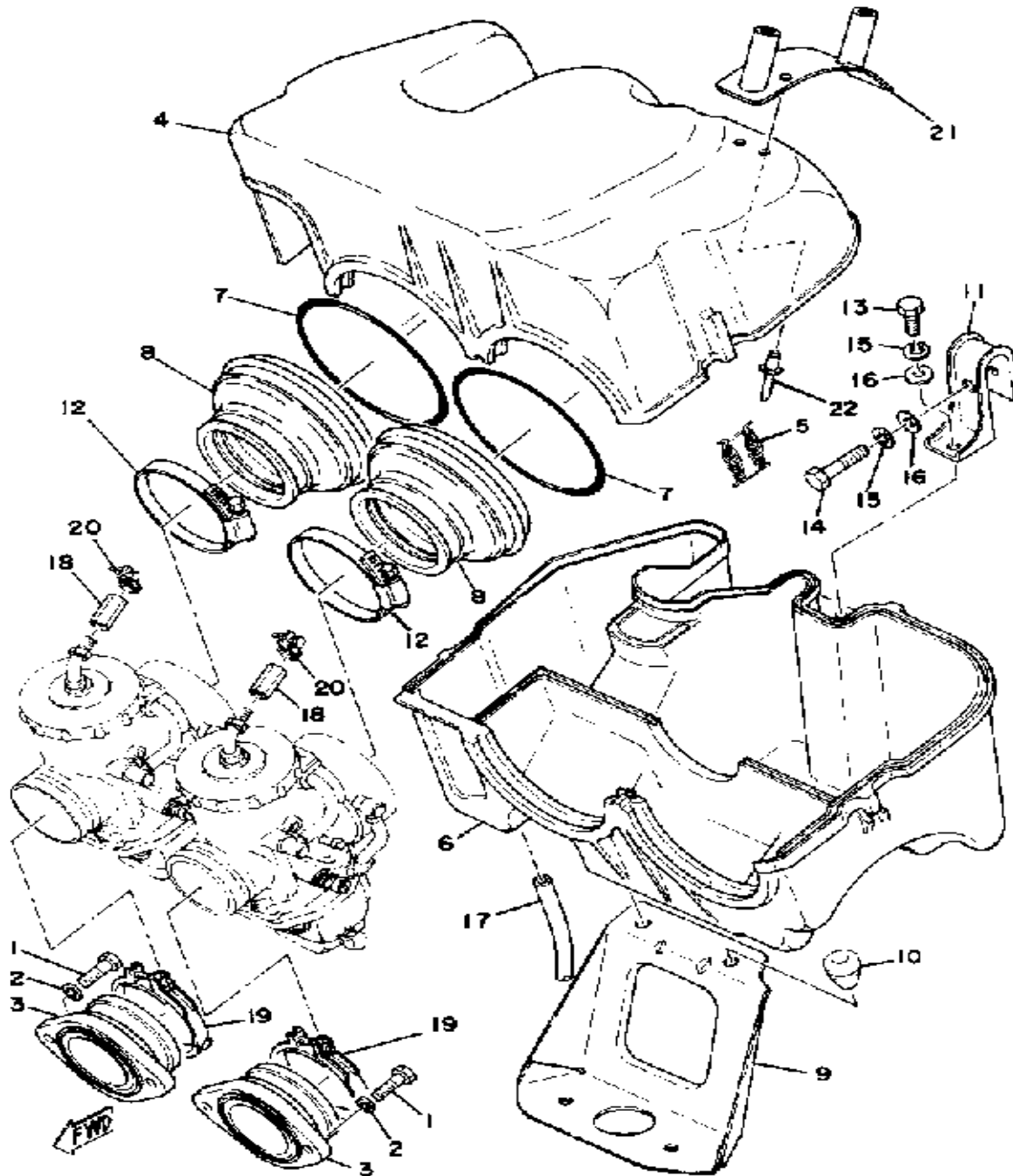
# RADIATOR



Ref. No.	Part Number	Description	Qty	Remarks
30	8A7-21871-00-00	TANK, RECOVERY .....	1	
31	8A2-21875-00-00	CAP .....	1	
32	8A2-16716-00-00	GASKET, CAP .....	1	
33	8A2-21872-00-00	STOPPER .....	1	
34	(8A7-21873-01-00)	BRACKET, RECOV TANK ....	1	
35	90445-11374-00	HOSE (7-140) .....	1	
36	97313-08018-00	BOLT, HEXAGON (97301-08016)	1	
37	92990-08100-00	WASHER .....	1	
38	92901-08600-00	WASHER .....	1	
39	90445-11306-00	HOSE .....	1	
40	437-83936-01-00	BAND, SWITCH CORD .....	1	
41	8G9-12474-00-00	GASKET 1 .....	2	

Property of [www.SmallEngineDiscount.com](http://www.SmallEngineDiscount.com) - Not for Resale

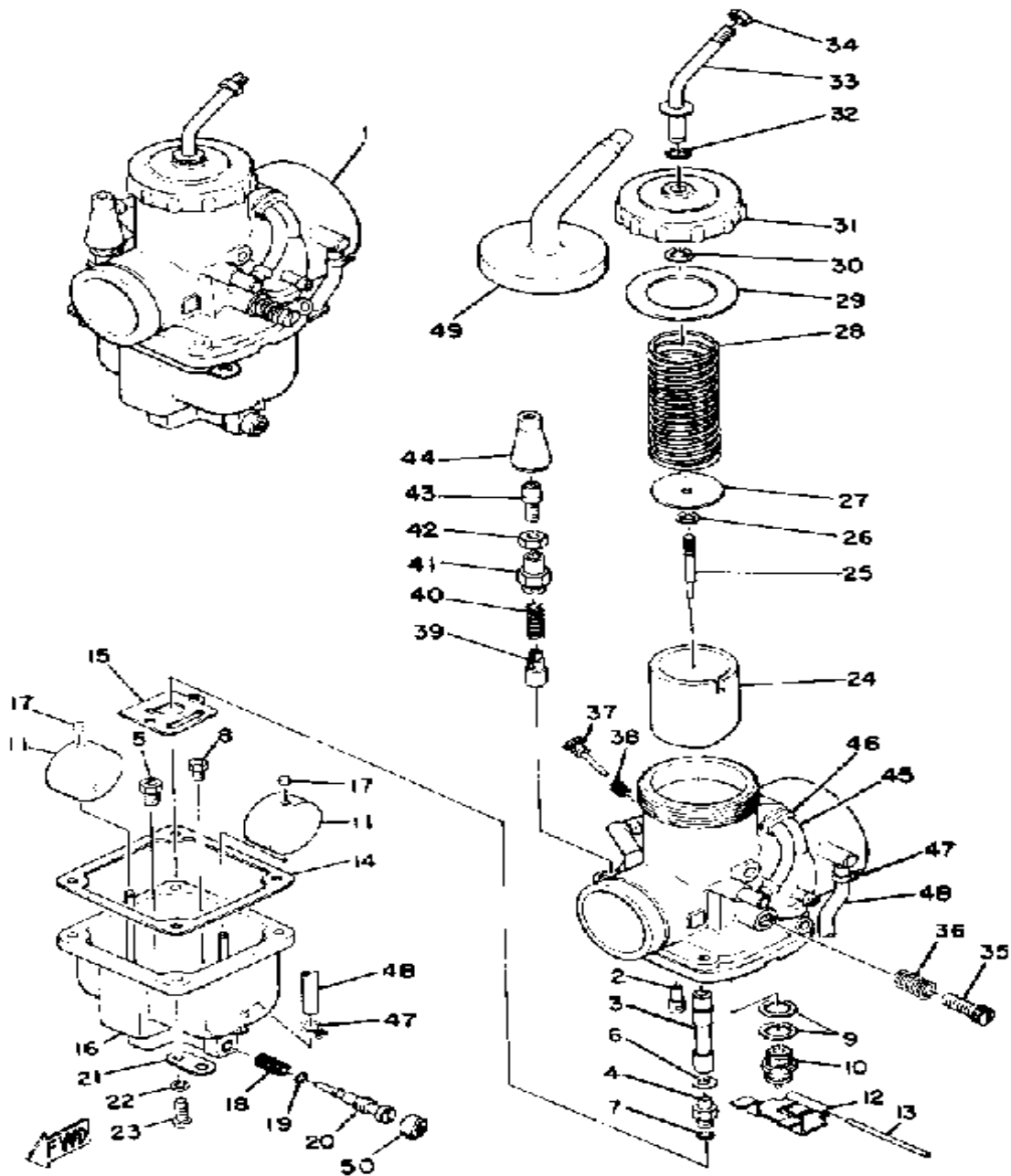
# INTAKE



Ref. No.	Part Number	Description	Qty	Remarks
1	97313-08020-00	BOLT, HEXAGON .....	4	
2	92990-08100-00	WASHER .....	4	
3	8A8-13555-01-00	MANIFOLD, INTAKE (8A8-13555-01) .....	2	
4	(8G9-14431-00-00)	SILENCER, INTAKE 1 .....	1	
5	90507-12041-00	SPRING, TENSION (90507-12014) .....	3	
6	(8F2-14441-00-00)	SILENCER, INTAKE 2 .....	1	
7	8A7-14458-00-00	GUIDE, ELEMENT .....	2	
8	8G9-14453-00-00	JOINT, AIR CLNR 1 .....	2	
9	(8F2-14499-00-00)	STAY 2 .....	1	
10	90480-11057-00	GROMMET .....	2	
11	8A7-14494-00-00	STAY 2 .....	1	
12	90460-70080-00	CLAMP, HOSE .....	2	
13	97011-06020-00	BOLT .....	1	
14	97021-06030-00	BOLT .....	1	
15	92995-06100-00	WASHER, SPRING .....	2	
16	90201-061A5-00	WASHER, PLATE .....	2	
17	(90445-09102-00)	HOSE .....	2	
18	8A7-26323-00-00	NUT, AJUSTING .....	2	
19	86M-13575-00-00	BAND .....	2	
20	90460-11002-00	CLAMP, HOSE .....	2	
21	8G9-14493-00-00	STAY 1 .....	1	
22	90267-32071-00	RIVET, BLIND .....	4	

Property of [www.SmallEngineDiscount.com](http://www.SmallEngineDiscount.com) - Not for Resale

# CARBURETOR

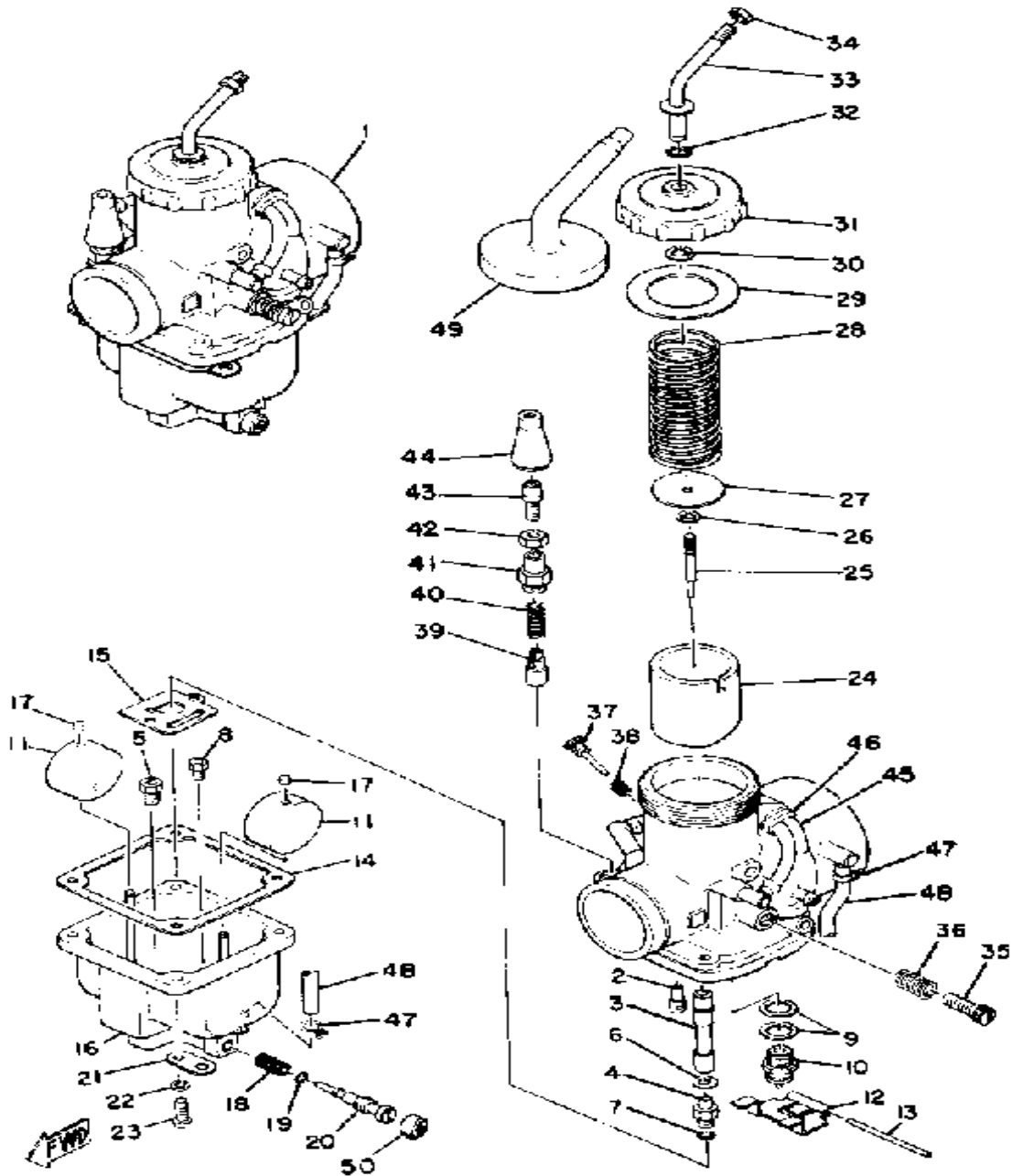


Ref. No.	Part Number	Description	Qty	Remarks
1	(8G9-14101-00-00)	CARBURETOR ASSEMBLY 1	1	
	(8G9-14102-00-00)	CARBURETOR ASSEMBLY 2	1	
2	193-14142-30-A0	. JET, PILOT #30 (#30)	2	
3	239-14141-32-00	. NOZZLE, MAIN (0-2)	2	
4	276-14145-00-00	. SETTER, NEEDLE JET	2	
5	137-14143-44-A1	. JET, MAIN #20	2	U.R.
	137-14143-50-A1	. JET, MAIN (#250)	2	U.R.
	137-14143-56-A0	. JET, MAIN (#280)	2	U.R.
	137-14143-62-A1	. JET, MAIN (#310)	2	U.R. STD
6	137-14153-00-00	. WASHER, MAIN JET	2	
7	214-14147-00-00	. O-RING	2	
8	620-14231-16-00	. JET, MAIN #80 (#80)	1	
9	239-14195-00-00	. WASHER, NEEDLE VALVE	4	
10	500-14190-15-00	. NEEDLE VALVE ASSEMBLY	2	
11	214-14185-00-00	. FLOAT	4	
12	363-14187-00-00	. ARM, FLOAT	2	
13	537-14186-00-00	. PIN, FLOAT	2	
14	363-14184-00-00	. GASKET, FLOAT CHMBR	2	
15	510-14146-00-00	. PLATE	2	
16	(8A8-14181-00-00)	BODY, FLOAT CHMBR 1	1	
	(8A8-14183-00-00)	BODY, FLOAT CHMBR 2	1	
17	214-14118-00-00	. CAP	4	
18	174-14134-00-00	. SPRING, AIR ADJUSTING	2	
19	354-14147-00-00	. O-RING	2	
20	(8A8-14923-00-00)	SCREW, PILOT	2	
21	313-14146-00-00	. PLATE	2	
22	92990-05100-00	. WASHER, SPRING	8	
23	98580-05016-00	. SCREW, PAN HEAD	8	
24	(8A8-14112-20-00)	VALVE, THROTTLE 1	1	

CONTINUED ON NEXT FRAME ➤

Property of [www.SmallEngineDiscount.com](http://www.SmallEngineDiscount.com) - Not for Resale

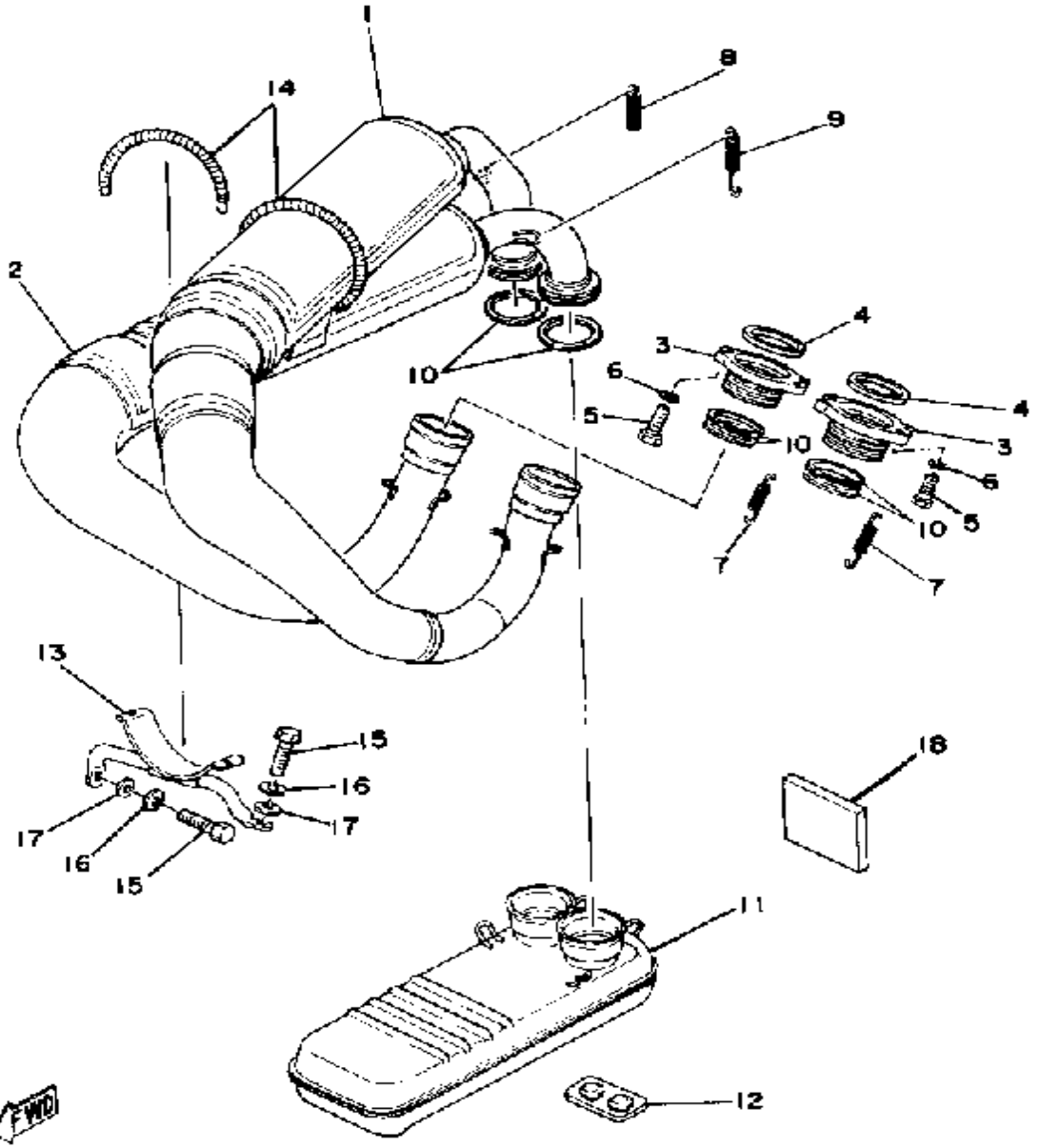
# CARBURETOR



Ref. No.	Part Number	Description	Qty	Remarks
24	(8A8-14113-20-00)	VALVE, THROTTLE 2	1	
25	275-14116-13-00	. NEEDLE	2	
26	164-14137-00-00	. CLIP	2	
27	(363-14136-00-00)	SEAT, SPRING	2	
28	363-14131-00-00	. SPRING, THROTTLE VALVE	2	
29	363-14126-00-00	. GASKET	2	
30	363-14137-00-00	. CLIP	2	
31	510-14158-00-00	. TOP, MIXING CHAMBER	2	
32	509-14198-00-00	. GASKET	2	
33	8A8-14155-00-00	. GUIDE, CABLE	2	
34	127-14161-00-00	. NUT, CABLE ADJUSTING	2	
35	1L8-14122-00-00	. SCREW, THROTTLE	2	
36	137-14133-00-00	. SPRING, THRTL STOP	2	
37	23X-14104-00-00	. AIR SCREW SET	2	
38	127-14134-00-00	. SPRING, AIR ADJUSTING	2	
39	58E-14171-00-00	. PLUNGER, STARTER	2	
40	127-14135-00-00	. SPRING, PLUNGER	2	
41	(8A7-14174-00-00)	CAP, PLUNGER	2	
42	802-14161-00-00	. NUT, CABLE ADJUSTING	2	
43	12G-14106-00-00	. CABLE ADJUST SCREW SET	2	
44	8A7-14169-00-00	. CAP	2	
45	(8F2-14197-00-00)	PIPE, AIRVENT	4	
46	(8F2-14139-00-00)	CLIP, PIPE	4	
47	8A7-14139-00-00	. CLIP, PIPE	4	
48	8A7-14196-00-00	. PIPE	2	
49	(8A8-14471-00-00)	CAP, CARBURETOR	2	
50	8A7-14969-00-00	CAP	2	

Property of [www.SmallEngineDiscount.com](http://www.SmallEngineDiscount.com) - Not for Resale

# EXHAUST

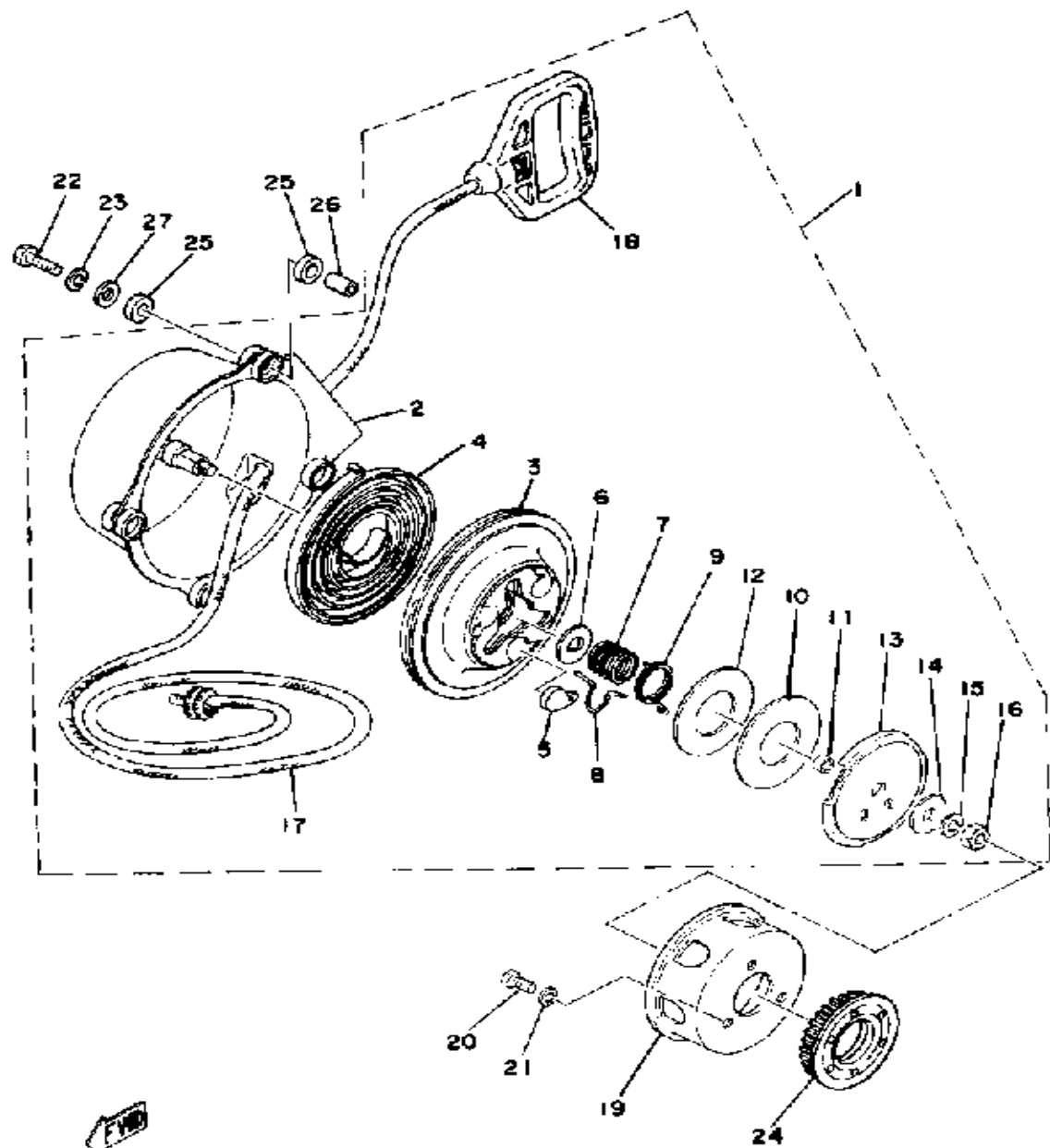


Ref. No.	Part Number	Description	Qty	Remarks
1	8G9-14610-01-00	EXHAUST PIPE ASSEMBLY L .	1	
2	8G9-14620-01-00	EXHAUST PIPE ASSEMBLY R .	1	
3	8J0-14612-00-00	NUT, RING . . . . .	2	
4	8A7-14613-00-00	UNAVAILABLE IN PRICE BOOK	2	
5	97013-08025-00	BOLT . . . . .	4	
6	92990-08100-00	WASHER . . . . .	4	
7	90506-20115-00	SPRING, TENSION . . . . .	4	
8	90506-14033-00	SPRING, TENSION . . . . .	1	
9	90506-23045-00	SPRING, TENSION . . . . .	1	
10	888-14633-00-00	RING . . . . .	6	
11	(8A7-14640-00-00)	2ND SILENCER, MUFF . . . . .	1	
12	8A5-14728-02-00	PROTECTOR, MUFFLER 2 . . . . .	1	
13	(8A7-14771-00-00)	STAY, MUFFLER 1 . . . . .	1	
14	90506-16076-00	SPRING, TENSION . . . . .	2	
15	97313-08016-00	BOLT, HEXAGON . . . . .	2	
16	92990-08100-00	WASHER . . . . .	2	
17	92901-08600-00	WASHER . . . . .	2	
18	(8A7-14747-00-00)	DAMPER, MUFFLER . . . . .	1	

Property of [www.SmallEngineDiscount.com](http://www.SmallEngineDiscount.com) - Not for Resale



# STARTER

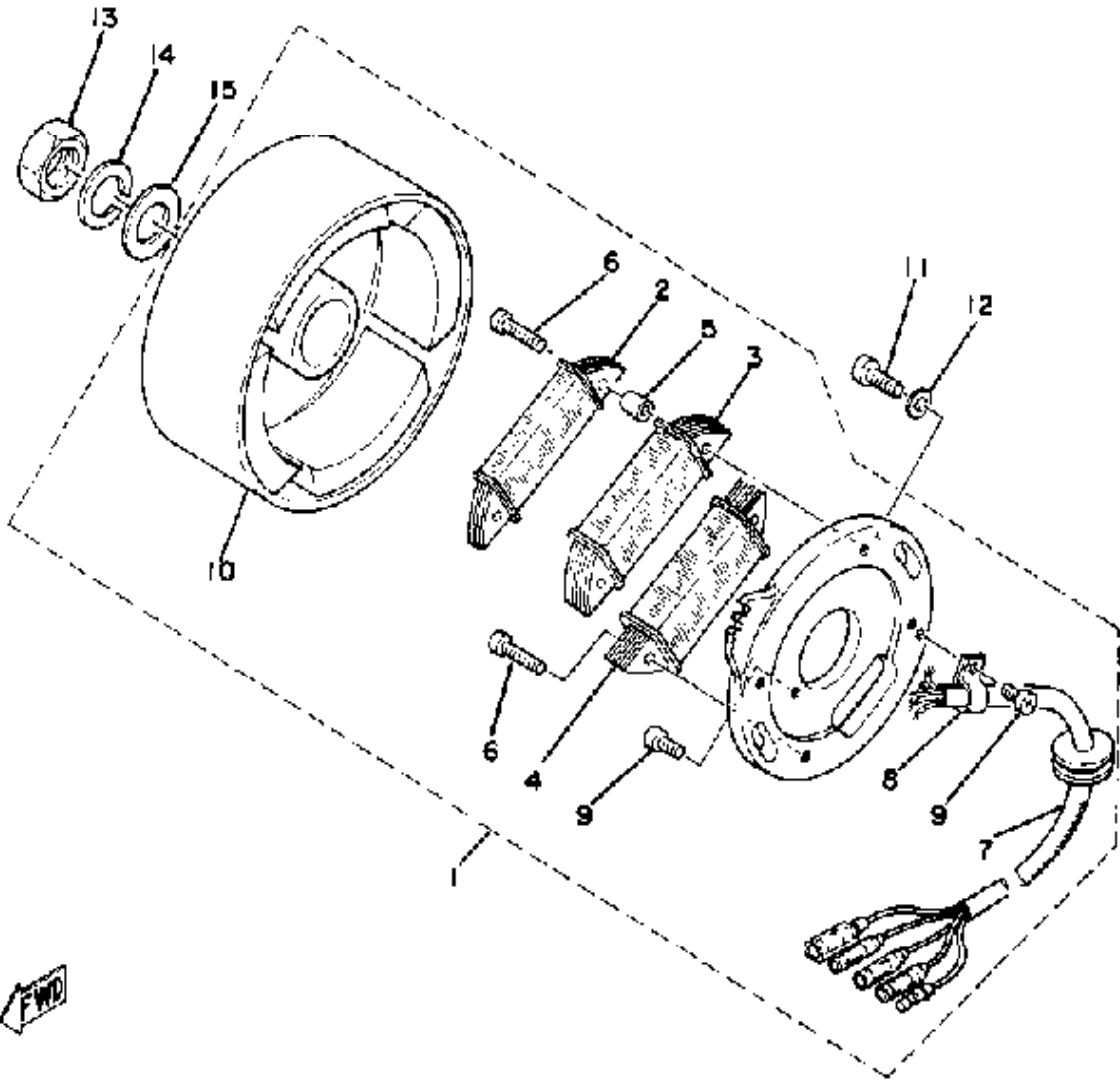


Ref. No.	Part Number	Description	Qty	Remarks
1	8G9-15710-00-00	STARTER ASSEMBLY .....	1	
2	8G9-15711-01-00	. CASE, STARTER .....	1	
3	857-15714-00-00	. DRUM, SHEAVE .....	1	
4	8Y0-15713-00-00	. SPRING, STARTER .....	1	
5	616-15741-01-00	. PAWL, DRIVE .....	3	
6	(802-15726-00-00)	WASHER, FLAT .....	1	
7	626-15715-01-00	. SPRING, DRIVE PLATE (807-15715-00) .....	1	
8	811-15784-00-00	. SPRING, RETURN .....	3	
9	811-15734-00-00	. SPRING, RETURN .....	1	
10	8A7-15719-00-00	. WASHER, THRUST .....	1	
11	8A7-15753-00-00	. BUSH .....	1	
12	8A7-15739-00-00	. WASHER, THRUST .....	1	
13	8A7-15716-00-00	. PLATE, DRIVE .....	1	
14	807-15726-01-00	. WASHER, FLAT .....	1	
15	92990-08100-00	. WASHER .....	1	
16	95303-08700-00	. NUT .....	1	
17	857-15751-00-00	. WIRE, STARTER .....	1	
18	8F3-15755-00-00	. HANDLE, STARTER .....	1	
19	(8A7-15723-00-00)	PULLEY, STARTER .....	1	
20	91316-08030-00	BOLT, SOCKET HEAD .....	3	
21	92990-08100-00	WASHER .....	3	
22	97021-06030-00	BOLT .....	4	
23	92995-06100-00	WASHER, SPRING .....	4	
24	8H0-12441-00-00	PULLEY 1 .....	1	
25	90385-10033-00	BUSH, SPEC'L RUBBER .....	8	
26	90387-06652-00	COLLAR (6.1-12-15.6) .....	4	
27	90201-06074-00	WASHER, PLATE .....	4	

Property of [www.SmallEngineDiscount.com](http://www.SmallEngineDiscount.com) - Not for Resale



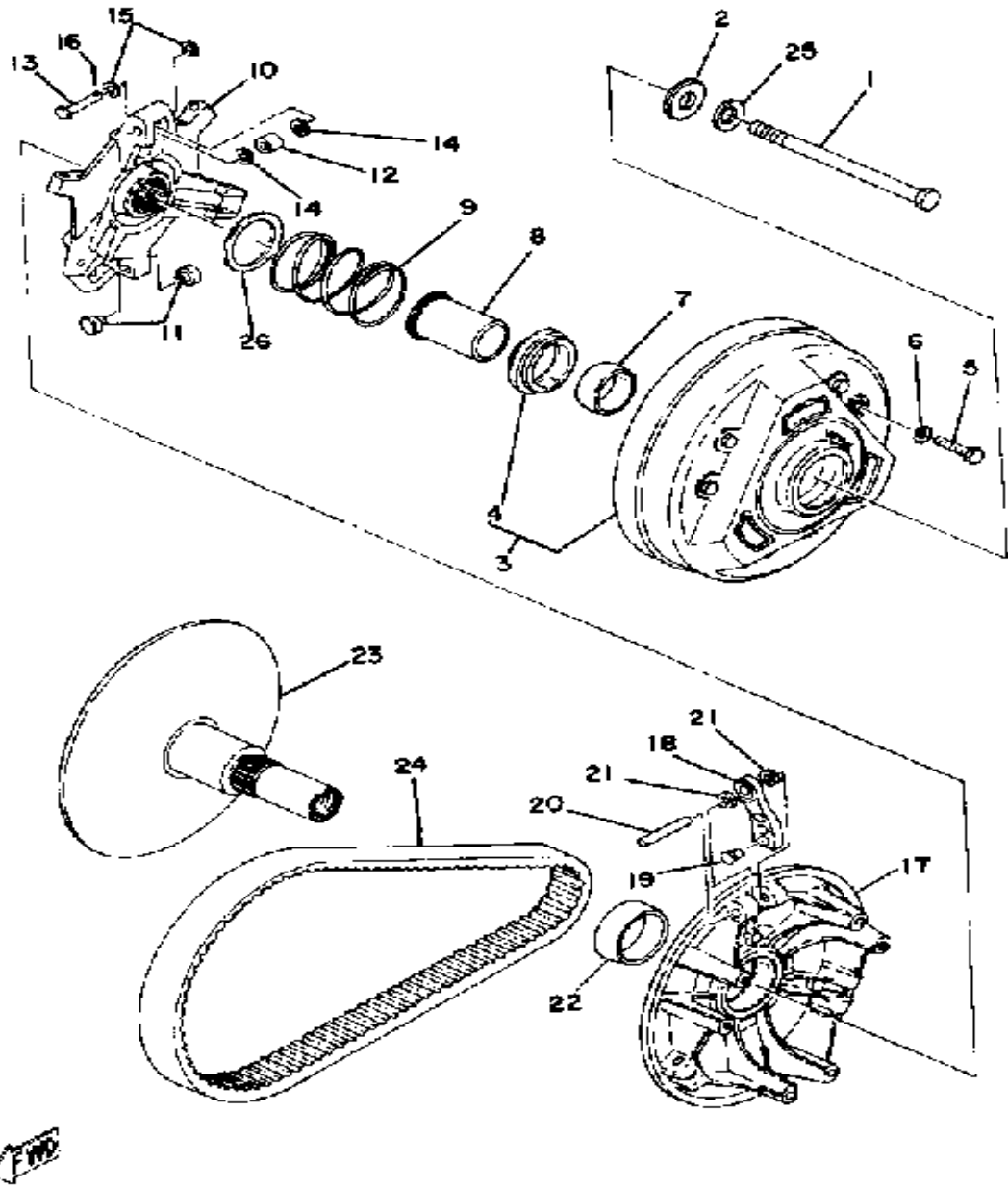
# C - D - I - MAGNETO



Ref. No.	Part Number	Description	Qty	Remarks
1	(8G9-85500-10-00)	CDI MAGNETO ASSEMBLY ...	1	
2	8G9-85541-10-00	. COIL, CHARGE .....	1	
3	8G9-85512-10-00	. COIL SOURCE 2 .....	1	
4	8F2-85513-10-00	. COIL, LIGHTING 1 .....	1	
5	888-81318-10-00	. SPACER .....	2	
6	647-81325-91-00	. CONDENSER 1 .....	4	
7	(8G9-85515-10-00)	LEAD WIRE ASSEMBLY .....	1	
8	109-81328-11-00	. CLAMP .....	1	
9	98580-04008-00	. SCREW, PAN HEAD .....	2	
10	(8G9-85550-10-00)	ROTOR ASSEMBLY .....	1	
11	98580-06018-00	SCREW, PAN HEAD .....	2	
12	90201-06643-00	WASHER, PLATE .....	2	
13	90170-16182-00	NUT .....	1	
14	92901-16100-00	WASHER, SPRING .....	1	
15	90201-16247-00	WASHER, PLATE (807-11557-00) .....	1	

Property of [www.SmallEngineDiscount.com](http://www.SmallEngineDiscount.com) - Not for Resale

# PRIMARY SHEAVE

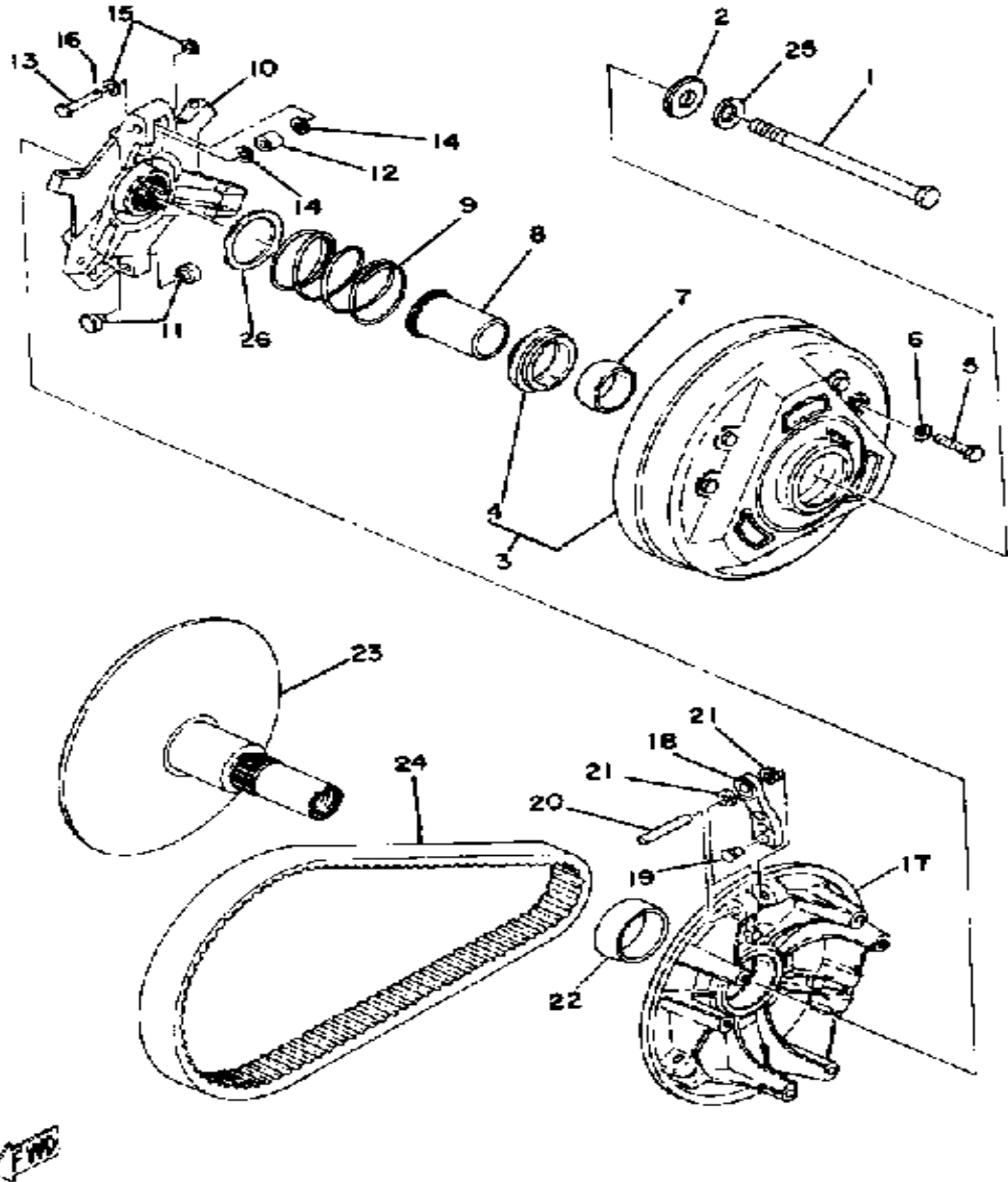


Ref. No.	Part Number	Description	Qty	Remarks
1	90101-13406-00	BOLT	1	
2	8A7-17654-00-00	SPACER 1	1	
3	8E7-W1762-00-00	PRI. SHEAVE CAP	1	
4	8E7-17644-02-00	. SEAT, SPRING	1	
5	97313-06030-00	BOLT, HEXAGON	6	
6	92901-06400-00	WASHER, EX.TOOTH	6	
7	90389-34019-00	BUSH, SPEC"L SHAPE	1	
8	90387-28630-00	COLLAR	1	
9	(90501-55397-00)	SPRING, COMPRESSION	1	
10	8A7-17627-00-00	SPIDER	1	
11	8F2-17653-00-00	SLIDER	6	
12	90387-06560-00	COLLAR	3	
13	90240-06062-00	PIN, CLEVIS	3	
14	90202-06113-00	WASHER, PLATE	6	
15	92990-06200-00	WASHER	6	
16	91401-25020-00	PIN, COTTER	3	
17	8E7-17621-01-00	SHEAVE, PRI SLIDING	1	
18	8G9-17632-00-00	WEIGHT, CLUTCH	3	SEE OPTIONAL PARTS
19	90261-06016-00	RIVET, CNTRS NK HD	3	SEE OPTIONAL PARTS
20	93607-44120-00	PIN, DOWEL	3	
21	90201-07641-00	WASHER, PLATE	6	
22	90389-41018-00	BUSH, SPEC"L SHAPE	1	
23	8F2-17610-00-00	PRI FIXED SHEAVE	1	
24	8F2-17641-01-00	V-BELT	1	
25	90204-13010-00	WASHER, SPRING	1	
26	(8G5-00000-50-00)	CLUTCH TUNE UP KIT		
	(8G8-17000-10-00)	CLUTCH WEIGHT KIT		

CONTINUED ON NEXT FRAME ►

Property of [www.SmallEngineDiscount.com](http://www.SmallEngineDiscount.com) - Not for Resale

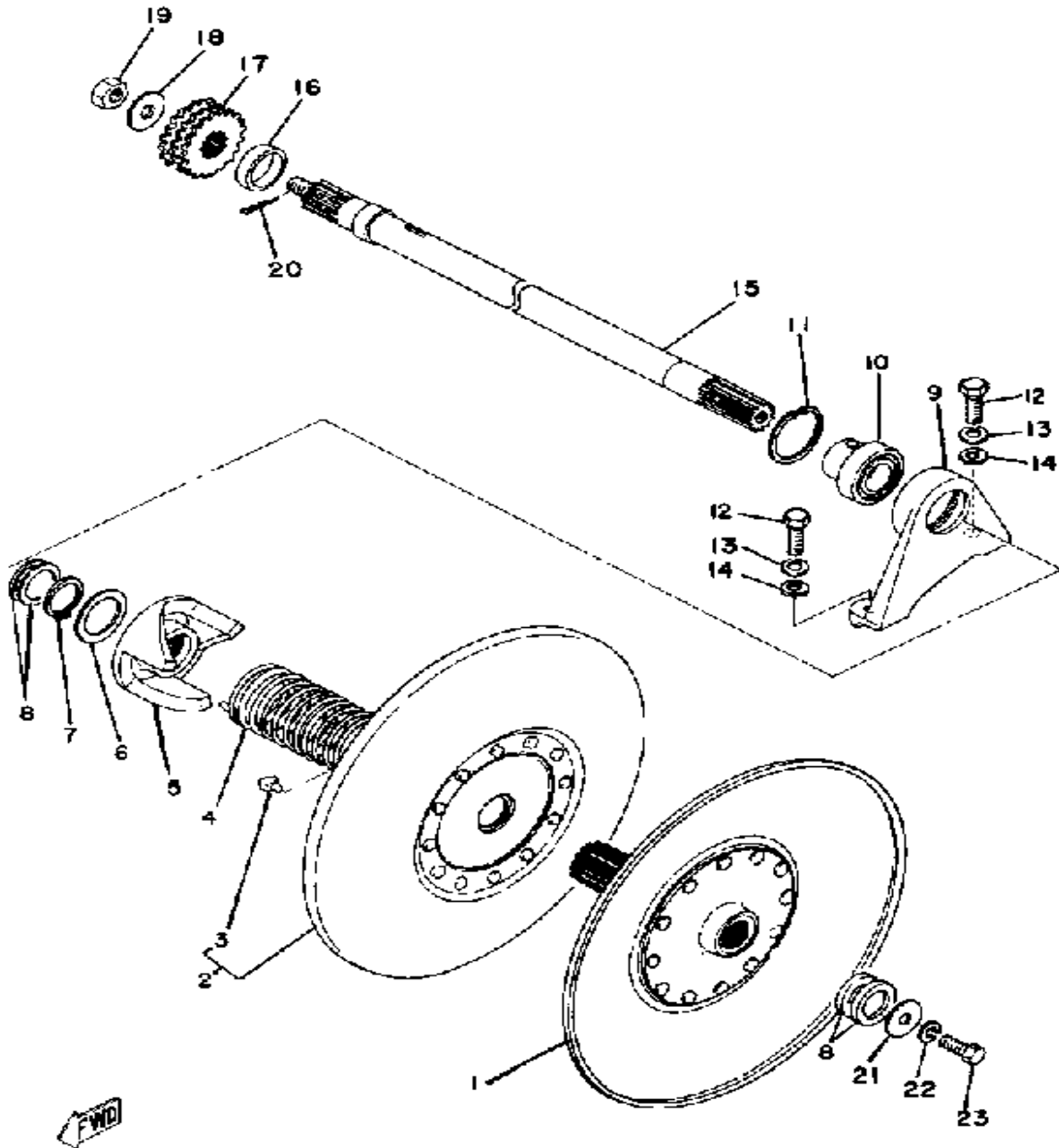
# PRIMARY SHEAVE



Ref. No.	Part Number	Description	Qty	Remarks
26	8G6-17601-09-00	PRIMARY SHEAVE ASSEMBLY		
	90201-45592-00	WASHER, PLATE .....	1	

Property of [www.SmallEngineDiscount.com](http://www.SmallEngineDiscount.com) - Not for Resale

# SECONDARY SHEAVE

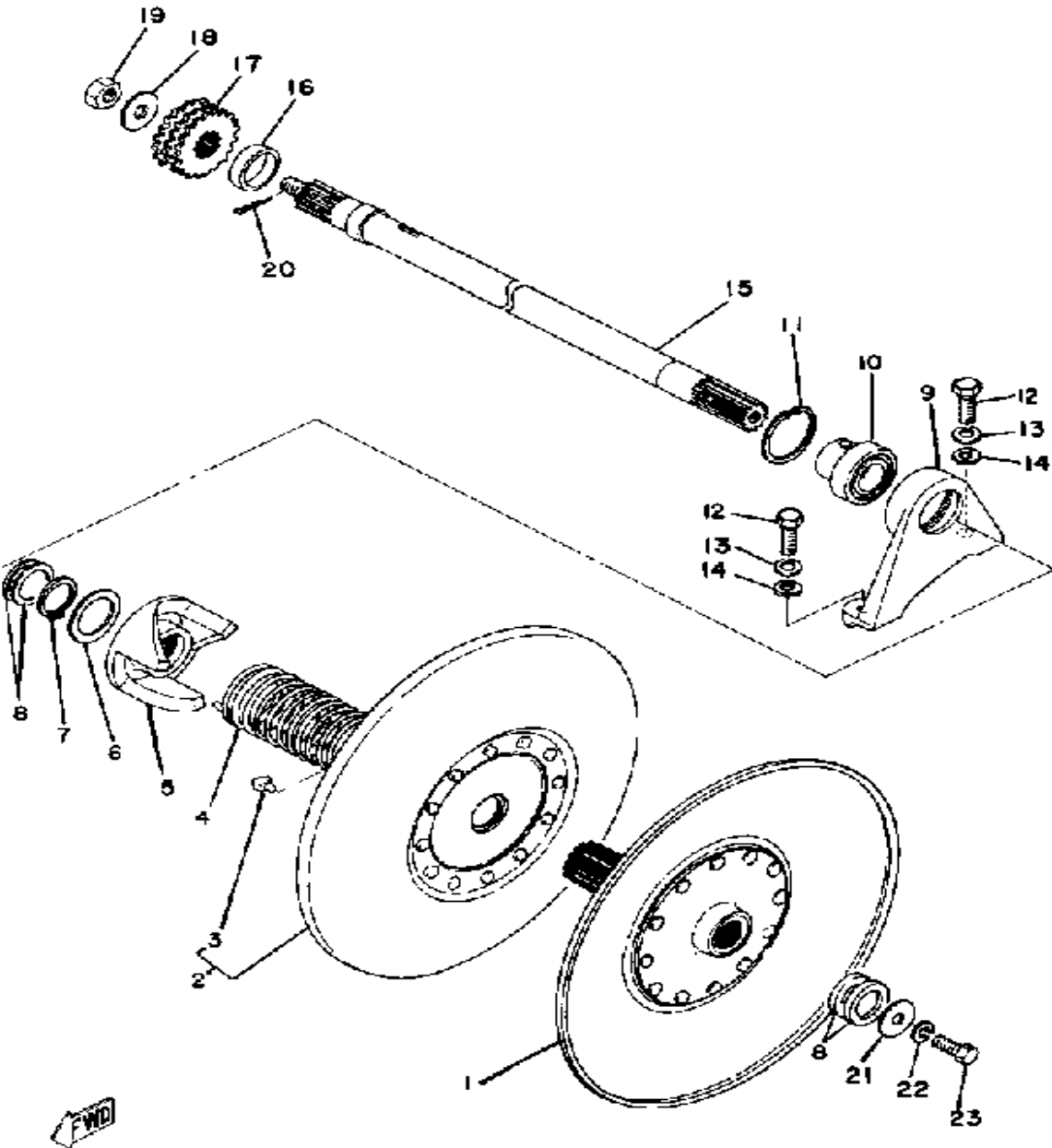


Ref. No.	Part Number	Description	Qty	Remarks
1	8A5-17660-01-00	SEC FXD SHVSHEAVE COMP.	1	
2	(8F2-17670-00-00)	SEC SLIDING SHEAVE .....	1	
3	8X6-17688-00-00	. SHOE, RAMP .....	3	
4	90508-45286-00	SPRING, TORSION .....	1	
5	8A7-17684-00-00	SEAT, SEC SPRING .....	1	
6	90201-34684-00	WASHER, PLATE .....	1	
7	93440-34170-00	CIRCLIP .....	1	
8	90201-25526-00	. WASHER, PLATE (T2.0) .....	1	
	90201-25527-00	. WASHER, PLATE (T1.0) .....	1	
	99999-01011-00	SPACER (25-36-5.0) .....	1	
9	878-47631-00-00	HOUSING, BEARING .....	1	
10	888-17678-00-00	BEARING .....	1	
11	99009-52500-00	CIRCLIP .....	1	
12	97013-10030-00	BOLT (8J7) (97303-10030) ....	2	
13	92990-10100-00	WASHER, SPRING .....	2	
14	90201-10124-00	WASHER, PLATE .....	2	
15	(888-17680-00-00)	SHAFT, SECONDARY .....	1	
16	90387-25259-00	COLLAR .....	1	
17	829-17682-00-00	SPRKT, CHAIN DR 20T (20T) ..	1	
	829-17682-50-00	SPRKT, CHAIN DR 15T (878-17682-50) (15T) .....	1	ALTERNATE PARTS
	829-17682-60-00	SPRKT, CHAIN DR 16T (16T) ..	1	
	829-17682-70-00	SPRKT, CHAIN DR 17T (17T) ..	1	
	829-17682-80-00	SPRKT, CHAIN DR 18T (18T) ..	1	
	829-17682-90-00	SPRKT, CHAIN DR 19T (878-17682-90) (19T) .....	1	
	8U9-17693-10-00	SPROCKET, CHAIN DR (878-17693-10) (21T) .....	1	
	8U9-17693-20-00	SPROCKET, CHAIN DR (878-17693-20) (22T) .....	1	

CONTINUED ON NEXT FRAME ►

Property of [www.SmallEngineDiscount.com](http://www.SmallEngineDiscount.com) - Not for Resale

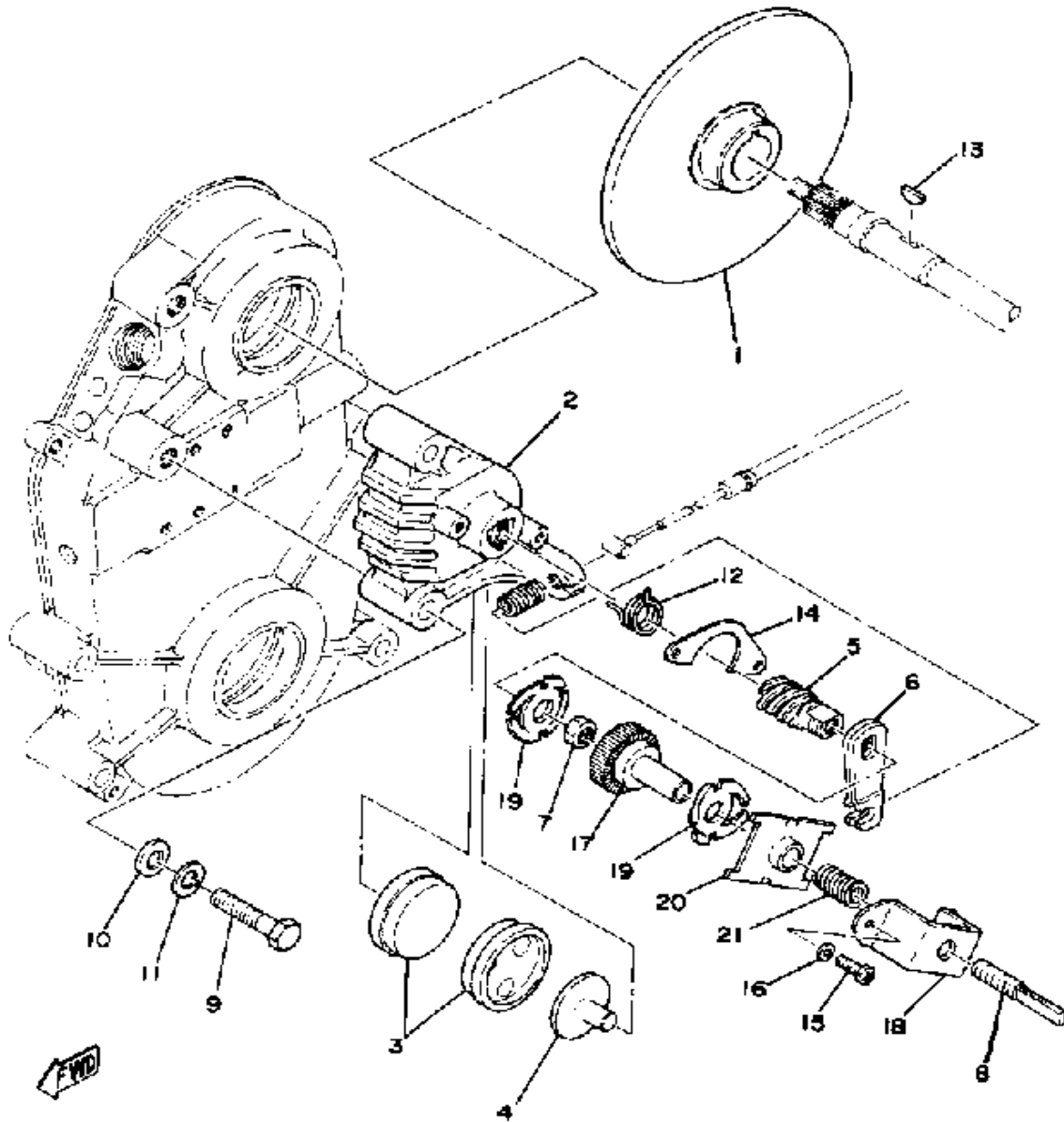
# SECONDARY SHEAVE



Ref. No.	Part Number	Description	Qty	Remarks
18	90201-14319-00	WASHER, PLATE .....	1	
19	95312-14600-00	NUT .....	1	
20	91401-30030-00	PIN, COTTER .....	1	
21	90201-10321-00	WASHER, PLATE .....	1	
22	92990-10100-00	WASHER, SPRING .....	1	
23	97011-10025-00	BOLT .....	1	

Property of [www.SmallEngineDiscount.com](http://www.SmallEngineDiscount.com) - Not for Resale

# BRAKE

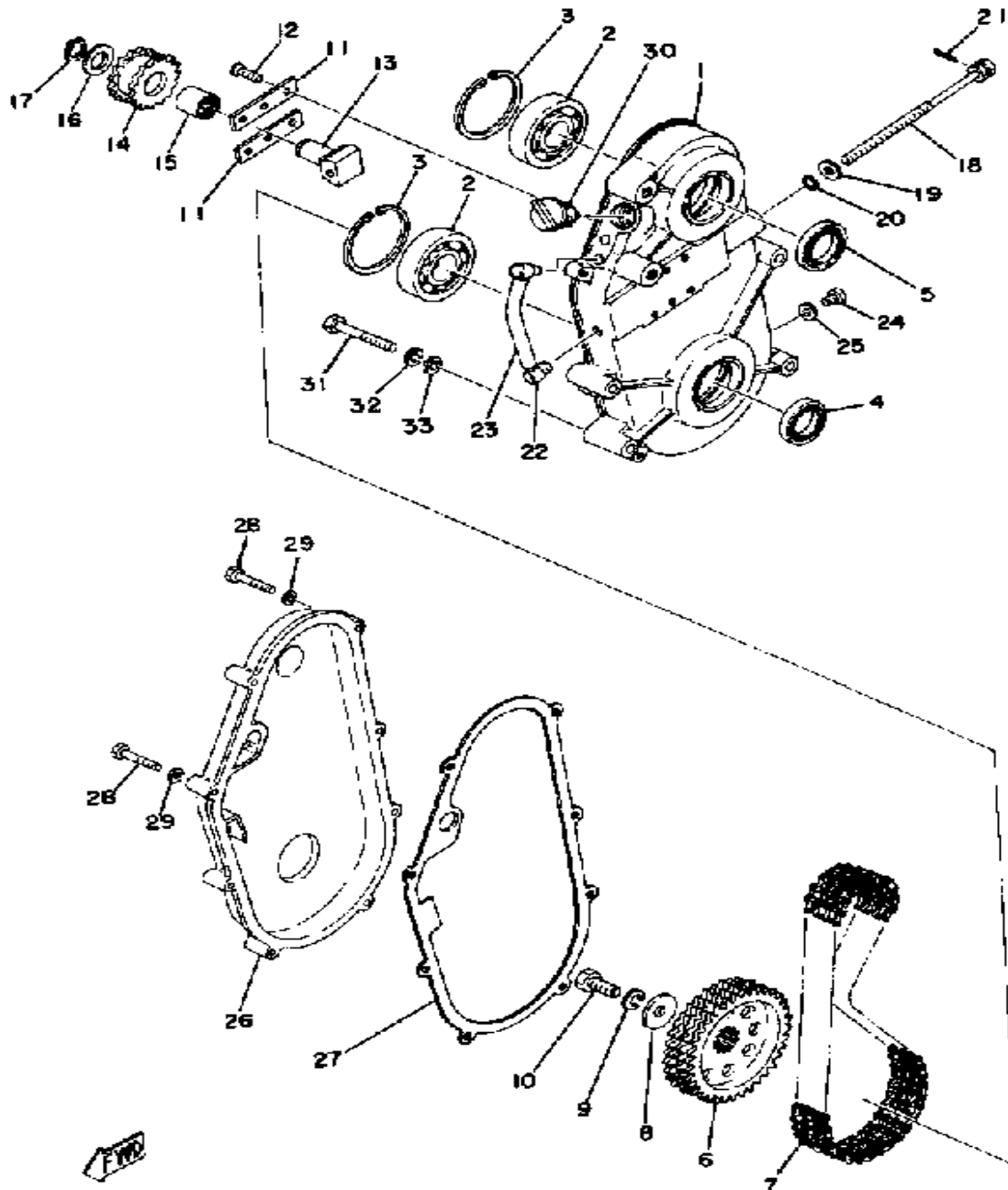


Ref. No.	Part Number	Description	Qty	Remarks
1	888-25831-00-00	DISC, BRAKE .....	1	
2	8A7-25731-00-00	BODY, CALIPER 1 .....	1	
3	84X-25811-01-00	PAD, CALIPER 2 .....	2	
4	878-25733-00-00	PLATE, BACK UP .....	1	
5	(8H0-25728-00-00)	CAM .....	1	
6	878-25726-00-00	LEVER, BRAKE .....	1	
7	95301-12700-00	NUT (95302-12700) .....	1	
8	90149-08122-00	SCREW, SPEC'L SHAPE .....	1	
9	97012-10060-00	BOLT (84K) .....	2	
10	92990-10600-00	WASHER, PLATE .....	2	
11	92990-10100-00	WASHER, SPRING .....	2	
12	90508-35293-00	SPRING, TORSION .....	1	
13	8J7-25848-00-00	KEY .....	1	
14	(8A7-25736-00-00)	HOOK, SPRING .....	1	
15	98503-06014-00	SCREW, PAN HEAD (92502-06016) .....	2	
16	92995-06100-00	WASHER, SPRING .....	2	
17	(8H0-25771-00-00)	RATCHET, ADJUSTING .....	1	
18	(8H0-25722-00-00)	BRACKET, ADJUSTING .....	1	
19	(8H0-25772-00-00)	LOCK, ONE WAY 1 .....	2	
20	8H0-25773-00-00	NO LONGER AVAILABLE .....	1	
21	(90501-12501-00)	SPRING, COMPRESSION .....	1	

Property of [www.SmallEngineDiscount.com](http://www.SmallEngineDiscount.com) - Not for Resale



# TRACK DRIVE

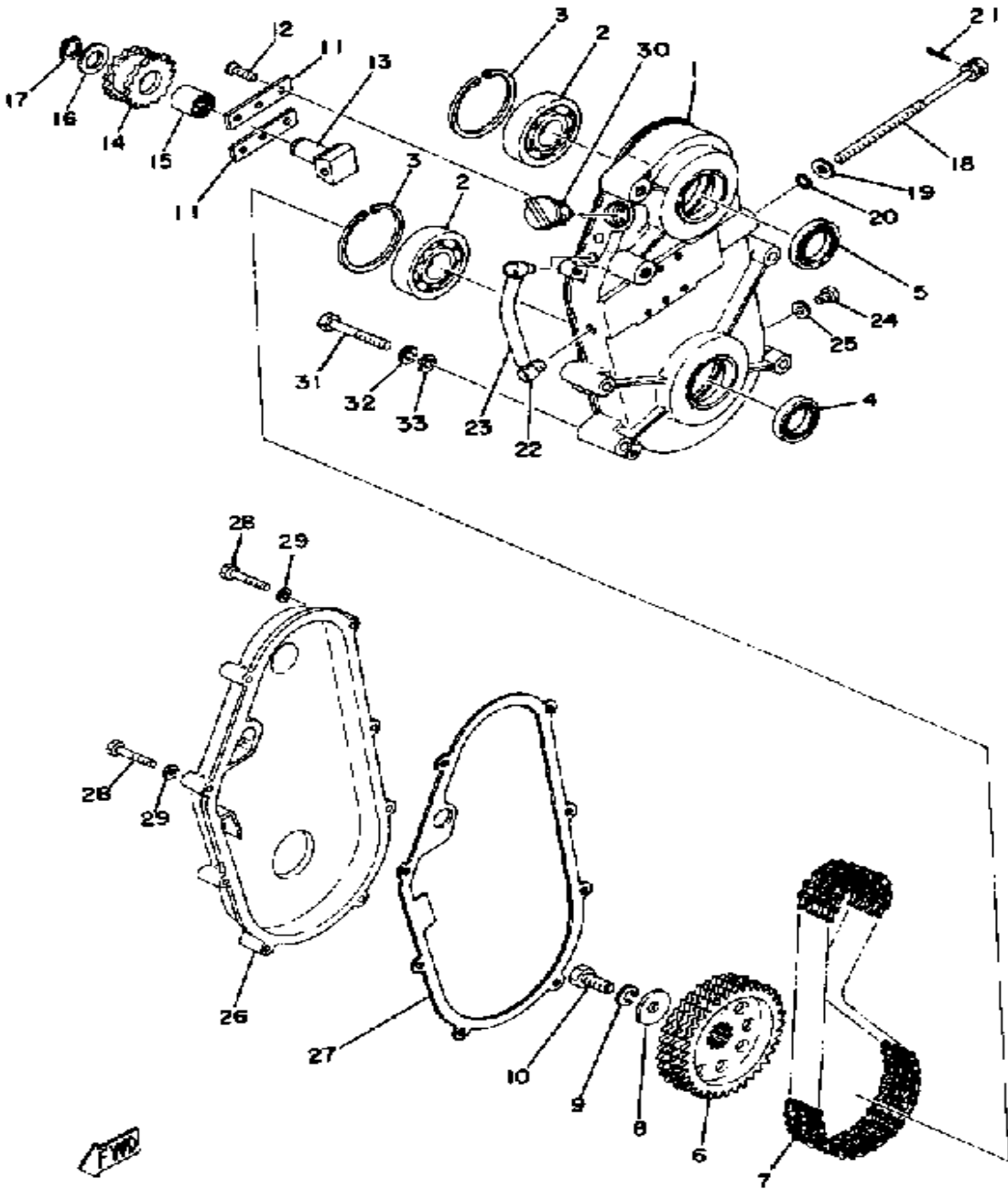


Ref. No.	Part Number	Description	Qty	Remarks
1	8A7-47541-00-00	HOUSING, CHAIN	1	
2	93306-30536-00	BEARING	2	
3	93420-62070-00	CIRCLIP 54G	2	
4	93102-25081-00	OIL SEAL	1	
5	93102-33140-00	OIL SEAL, SD-TYPE	1	
6	878-47548-90-00	SPROCKET, CHN DRVN (29T)	1	
	8U9-47587-00-00	SPROCKET, CHN DRVN (31T)	1	ALTERNATE PARTS
	8U9-47587-10-00	SPROCKET, CHN DRVN (888-47587-00) (33T)	1	
	8U9-47587-30-00	SPROCKET, CHN DRVN (878-47587-20) (35T)	1	
7	94850-35070-00	CHAIN 70 (RS35V-3 70L)	1	
	94850-35072-00	CHAIN 72 (RS35V-3 72L)	1	
	94850-35074-00	CHAIN 4	1	
8	90201-10321-00	WASHER, PLATE	1	
9	92990-10100-00	WASHER, SPRING	1	
10	97011-10025-00	BOLT	1	
11	8A7-47613-00-00	HOLDER	2	
12	98701-06014-00	SCREW, FLAT HEAD	6	
13	878-47611-00-00	TENSIONER	1	
14	878-47612-00-00	WHEEL	1	
15	93317-31701-00	BEARING	1	
16	90201-17406-00	WASHER, PLATE	1	
17	99009-17400-00	CIRCLIP	1	
18	90109-08357-00	BOLT	1	
19	90201-084M4-00	WASHER, PLATE (90201-08088-00)	1	
20	93210-08006-00	O-RING	1	
21	90468-16065-00	CLIP	1	
22	583-15371-00-00	BREATHER	2	

CONTINUED ON NEXT FRAME ►

Property of [www.SmallEngineDiscount.com](http://www.SmallEngineDiscount.com) - Not for Resale

# TRACK DRIVE

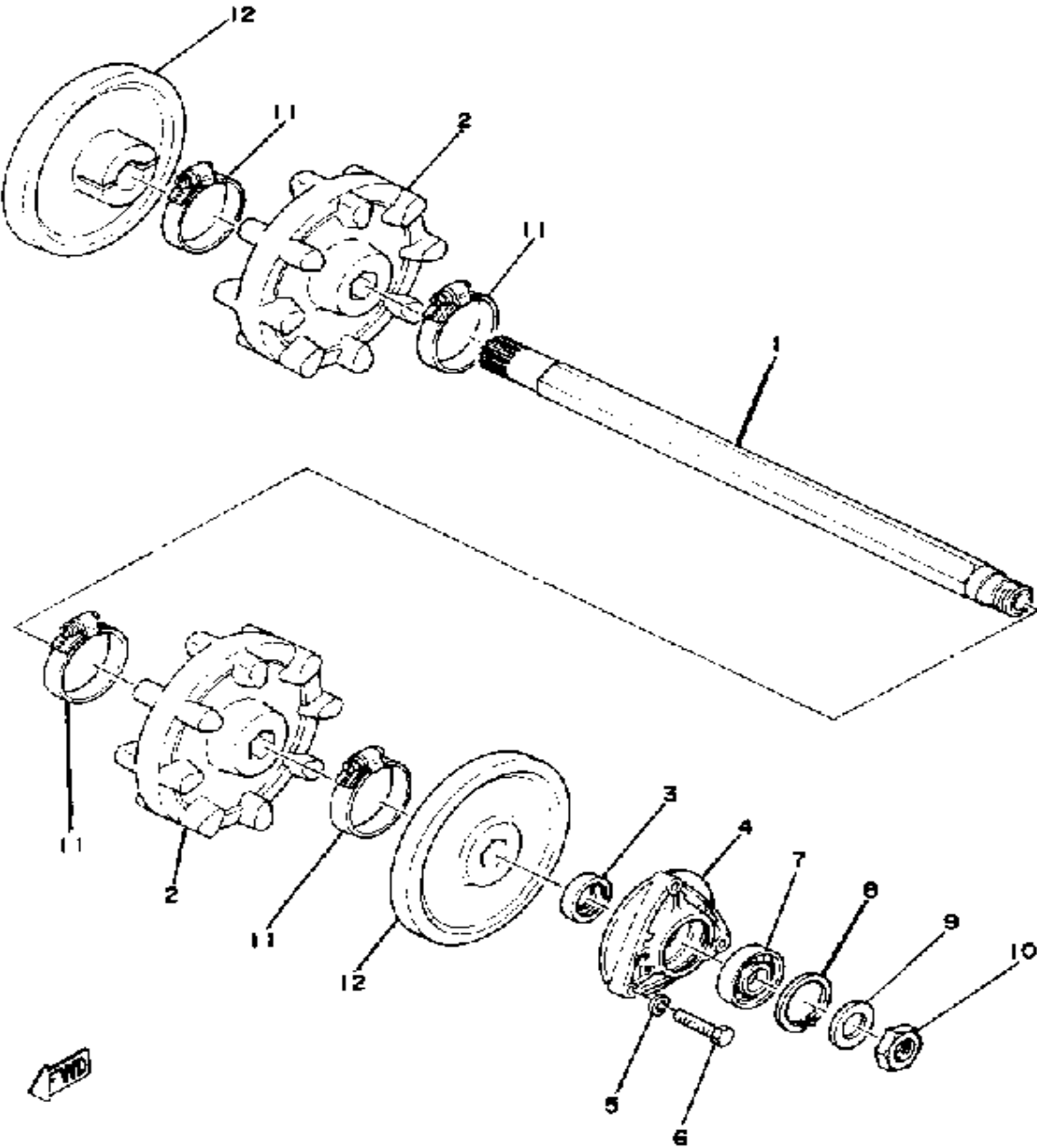


Ref. No.	Part Number	Description	Qty	Remarks
23	90445-09064-00	HOSE .....	1	
24	98580-06010-00	SCREW, PAN HEAD (92503-06010) .....	1	
25	90430-06016-00	GASKET .....	1	
26	888-47543-00-00	CAP, HOUSING .....	1	
27	878-47544-00-00	GASKET .....	1	
28	97013-06035-00	BOLT .....	8	
29	90201-061A5-00	WASHER, PLATE .....	8	
30	857-47559-00-00	CAP 2 .....	1	
31	97321-08055-00	BOLT, HEXAGON .....	4	
32	92990-08100-00	WASHER .....	4	
33	92901-08600-00	WASHER .....	4	

Property of [www.SmallEngineDiscount.com](http://www.SmallEngineDiscount.com) - Not for Resale

**B10**

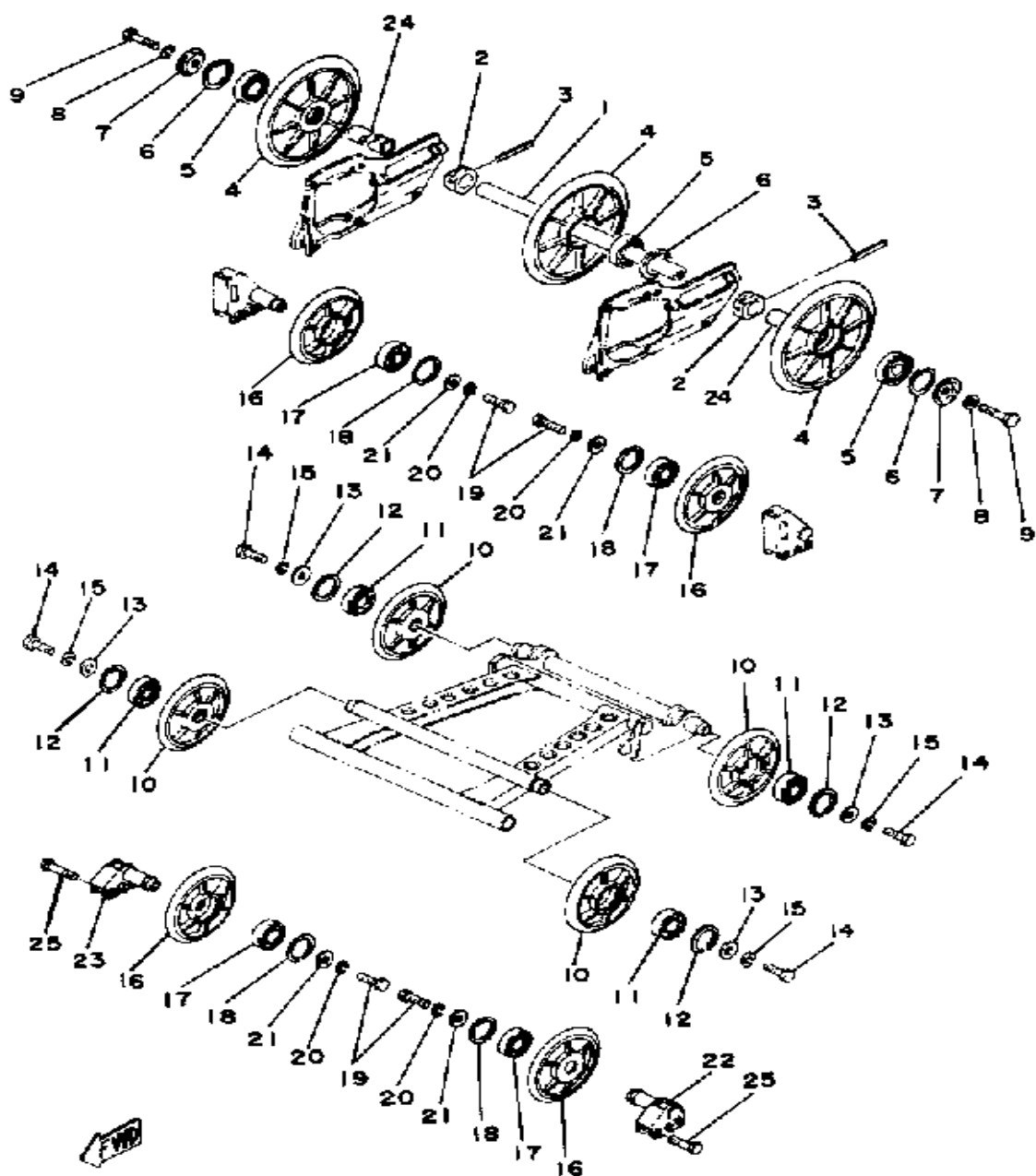
# FRONT AXLE



Ref. No.	Part Number	Description	Qty	Remarks
1	8A5-W4751-00-00	AXLE, FRONT .....	1	
2	8J7-47531-01-00	WHEEL, SPROCKET 1 .....	2	
3	93102-25084-00	OIL SEAL, SD-TYPE .....	1	
4	841-47551-00-00	HOUSING, FRONT AXLE .....	1	
5	92990-08100-00	WASHER .....	3	
6	97013-08025-00	BOLT .....	3	
7	93306-00412-00	BEARING .....	1	
8	93420-44029-00	CIRCLIP, R-TYPE .....	1	
9	90208-22001-00	WASHER, CONICAL SPRING ..	1	
10	90170-22094-00	NUT .....	1	
11	90460-50079-00	CLAMP, HOSE .....	4	
12	8G9-47530-00-00	GUIDE WHEEL .....	2	

Property of [www.SmallEngineDiscount.com](http://www.SmallEngineDiscount.com) - Not for Resale

# REAR AXLE - WHEEL

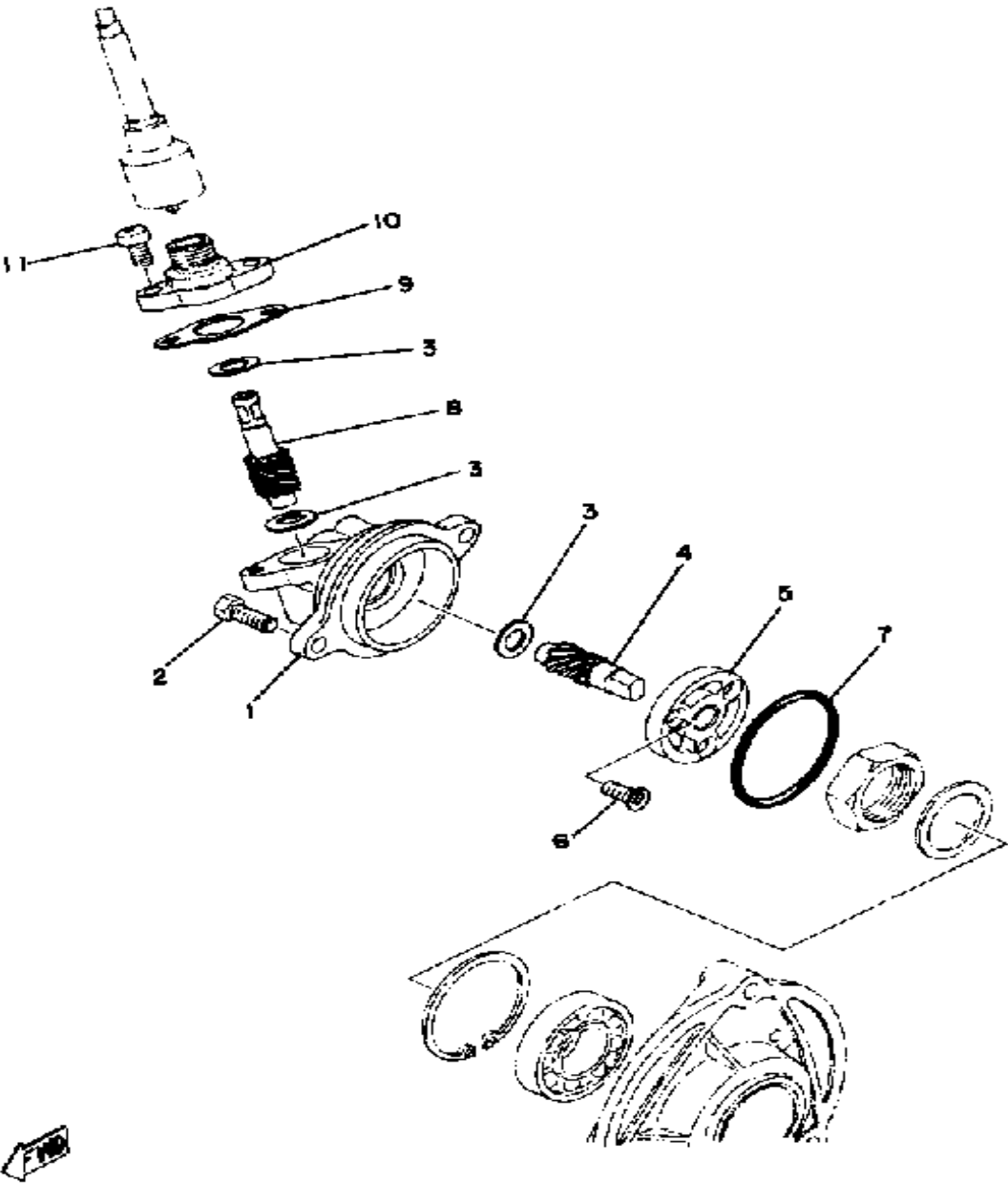


Ref. No.	Part Number	Description	Qty	Remarks
1	8A5-47521-00-00	AXLE, REAR	1	
2	8G9-47479-00-00	COLLAR 3	2	
3	91609-40040-00	PIN, SPRING	2	
4	8L4-47530-00-00	GUIDE WHEEL COMP.	3	
5	93306-20417-00	BEARING (B62042RS)	3	
6	99009-47500-00	CIRCLIP	3	
7	90209-08124-00	WASHER, SPEC'L SHAP	2	
8	92990-08100-00	WASHER	2	
9	97013-08025-00	BOLT	2	
10	885-47320-01-00	SUSPENSION WHEEL COMP.	4	
11	93306-00441-00	BEARING (89A) (B6004RS)	4	
12	99009-42500-00	CIRCLIP	4	
13	90209-06137-00	WASHER, SPEC'L SHAP	4	
14	90109-06464-00	BOLT	4	
15	92995-06100-00	WASHER, SPRING	4	
16	885-47320-01-00	SUSPENSION WHEEL COMP.	4	
17	93306-00441-00	BEARING (89A) (B6004RS)	4	
18	99009-42500-00	CIRCLIP	4	
19	90109-06464-00	BOLT	4	
20	92995-06100-00	WASHER, SPRING	4	
21	90209-06137-00	WASHER, SPEC'L SHAP	4	
22	99999-02047-00	BRACKET 4 SET	1	
23	99999-02048-00	BRACKET 7 SET	1	
24	90387-20510-00	COLLAR	2	
25	90101-06348-00	BOLT	6	

Property of [www.SmallEngineDiscount.com](http://www.SmallEngineDiscount.com) - Not for Resale

B12

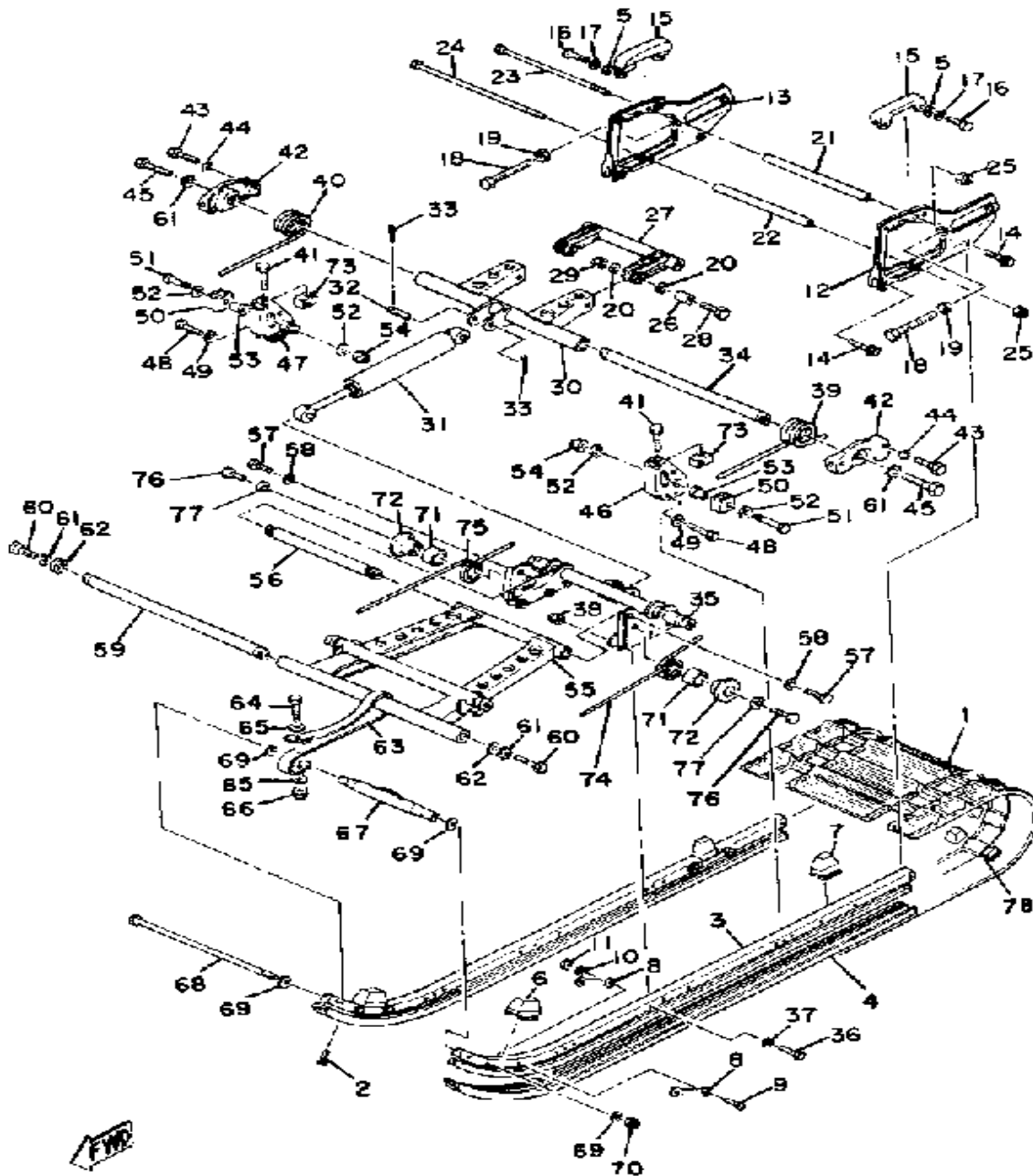
# SPEEDOMETER - GEAR UNIT



Ref. No.	Part Number	Description	Qty	Remarks
1	8E6-47711-10-00	HOUSING .....	1	
2	97313-06016-00	BOLT, HEXAGON .....	2	
3	810-47717-10-00	SHIM .....	3	
4	8A5-47731-00-00	GEAR, DRIVE .....	1	
5	853-47712-10-00	JOURNAL .....	1	
6	98701-04012-00	SCREW, FLAT HEAD .....	3	
7	93210-43141-00	O-RING .....	1	
8	8A5-47741-00-00	GEAR, DRIVEN .....	1	
9	810-47727-10-00	GASKET .....	1	
10	8E3-47721-10-00	COVER, HOUSING .....	1	
11	98580-05012-00	SCREW, PAN HEAD .....	2	

Property of [www.SmallEngineDiscount.com](http://www.SmallEngineDiscount.com) - Not for Resale

# TRACK SUSPENSION



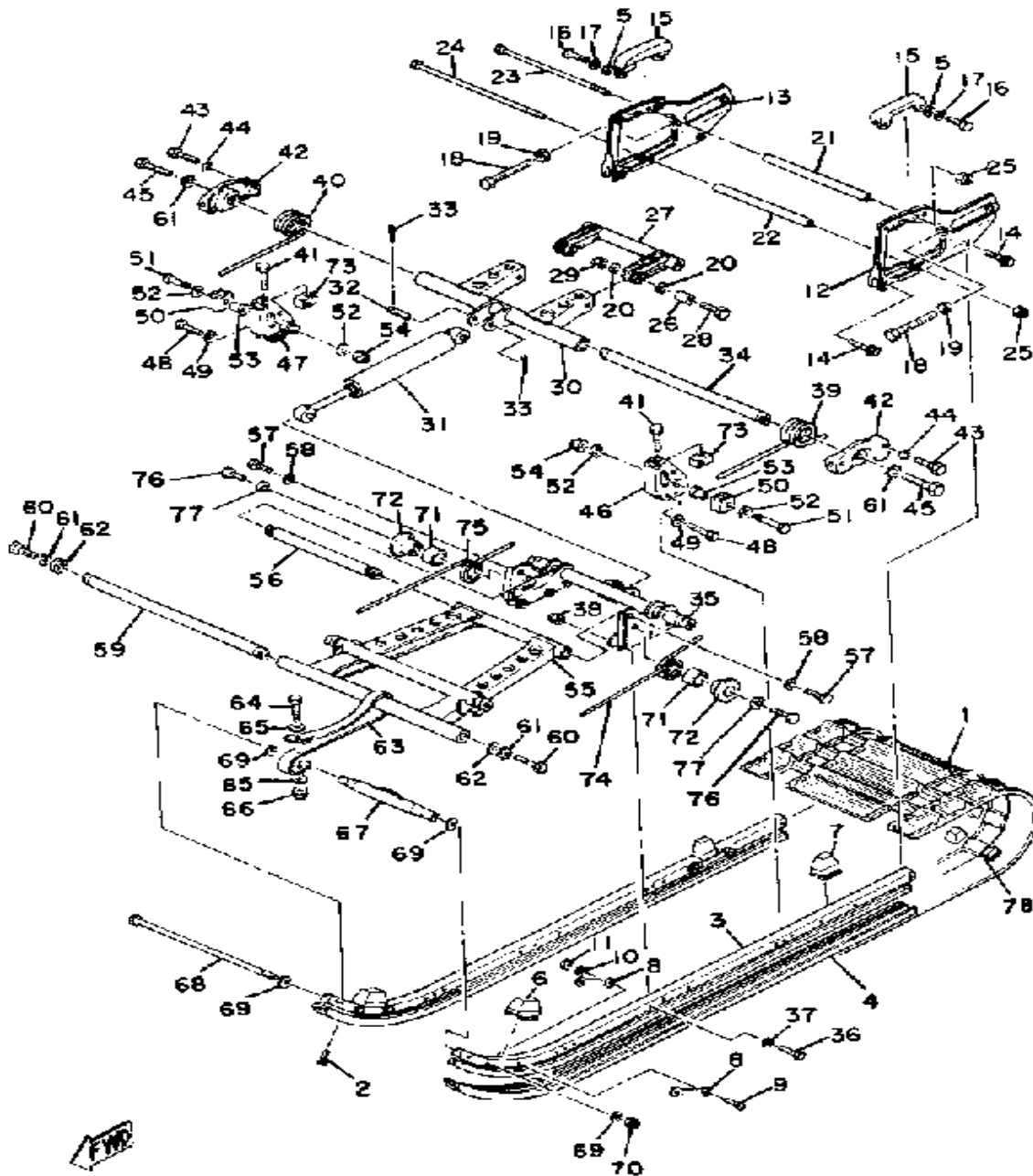
Ref. No.	Part Number	Description	Qty	Remarks
1	8G9-47110-00-00	TRACK ASSEMBLY .....	1	
2	90151-06010-00	SCREW, COUNTERSUNK ....	2	
3	8E7-47411-00-00	FRAME, SLIDING 1 .....	2	
4	8N5-47421-00-XX	RUNNER, SLIDING 1 (8E7-47421-10) .....	2	
5	90201-065F3-00	WASHER, PLATE .....	4	
6	8E3-47457-00-00	DAMPER 2 .....	2	
7	885-47457-00-00	DAMPER 2 .....	2	
8	885-47458-01-00	PLATE, DAMPER .....	4	
9	98501-05030-00	SCREW, PAN HEAD .....	4	
10	92990-05100-00	WASHER, SPRING .....	4	
11	95380-05600-00	NUT .....	4	
12	8A5-47412-00-00	FRAME, SLIDING 2 .....	1	
13	8A5-47413-00-00	FRAME, SLIDING 3 .....	1	
14	90119-08008-00	BOLT, WITH WASHER .....	4	
15	8E3-47422-00-00	RUNNER, SLIDING 2 .....	2	
16	97011-06025-00	BOLT (97001-06025) .....	4	
17	92995-06100-00	WASHER, SPRING .....	4	
18	90101-10293-00	BOLT .....	2	
19	95303-10700-00	NUT .....	2	
20	90201-08649-00	WASHER, PLATE .....	4	
21	90387-08497-00	COLLAR .....	1	
22	90387-08496-00	COLLAR .....	1	
23	97022-08250-00	BOLT .....	1	
24	90101-08374-00	BOLT .....	1	
25	95712-08300-00	NUT, LOCK .....	2	
26	90387-08508-00	COLLAR .....	2	
27	8A5-47417-00-00	BRACKET 3 .....	1	
28	97313-08050-00	BOLT, HEXAGON (90101-08125)	2	

CONTINUED ON NEXT FRAME ►

Property of [www.SmallEngineDiscount.com](http://www.SmallEngineDiscount.com) - Not for Resale



# TRACK SUSPENSION

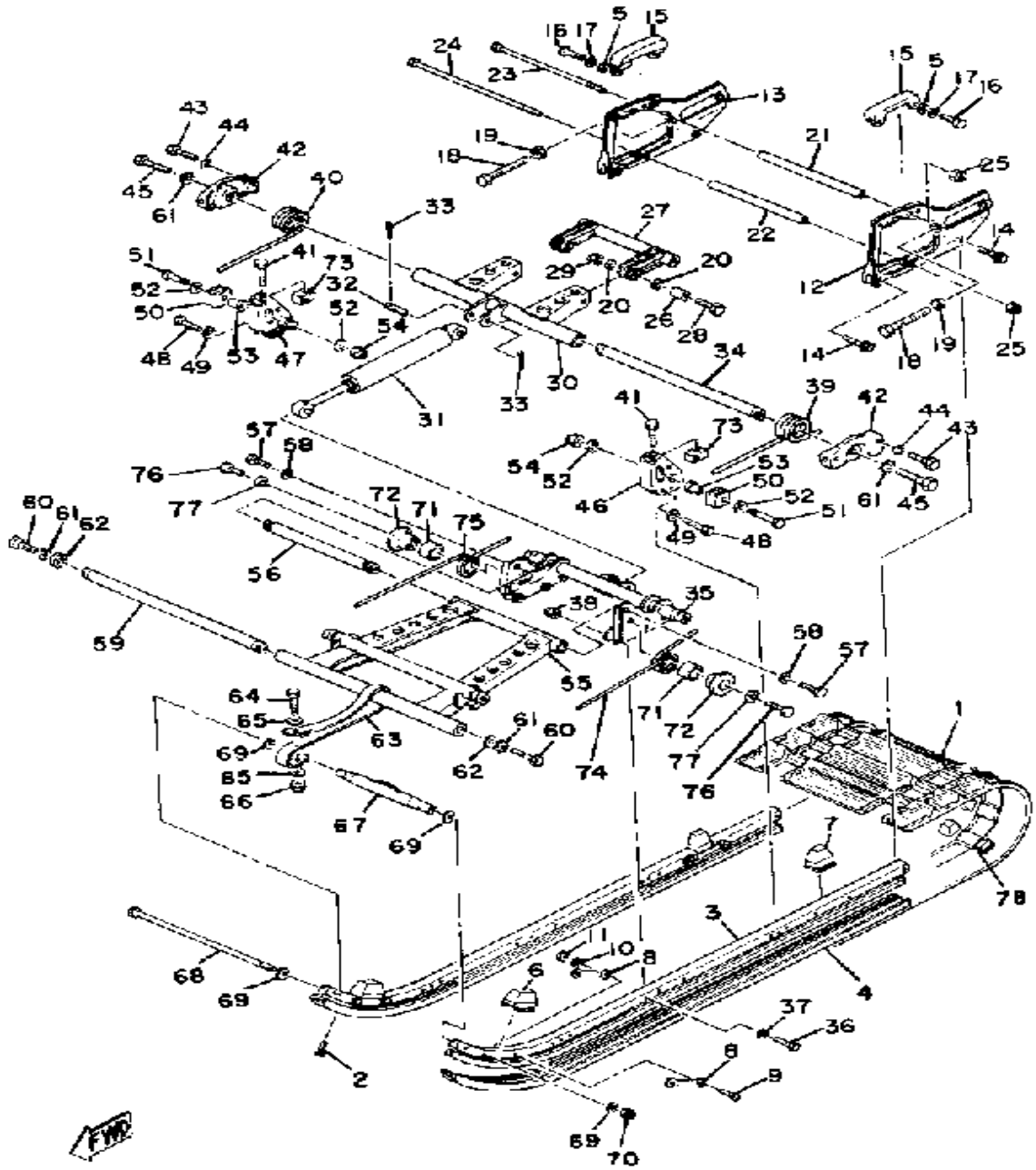


Ref. No.	Part Number	Description	Qty	Remarks
29	95712-08300-00	NUT, LOCK	2	
30	8A5-47332-00-00	ARM, PIVOT 2	1	
31	8E7-47480-00-00	SHOCK ABSORBER	1	
32	90240-12115-00	PIN, CLEVIS	2	
33	91401-30030-00	PIN, COTTER	2	
34	8A5-47475-02-00	SHAFT 2	1	
35	8G9-47416-01-00	BRACKET 2	1	
36	90101-06348-00	BOLT	6	
37	92995-06100-00	WASHER, SPRING	6	
38	95701-06300-00	NUT, NYLON	6	
39	90508-99331-00	SPRING, TORSION	1	
40	90508-99332-00	SPRING, TORSION	1	
41	90101-10200-00	BOLT	2	
42	8G6-47426-00-00	BRACKET, REAR 1	2	
43	97313-08018-00	BOLT, HEXAGON (97301-08016)	4	
44	92901-08400-00	WASHER, EX.TOOTH	4	
45	97013-10030-00	BOLT (8J7) (97303-10030)	2	
46	8G6-47463-00-00	BRACKET 5	1	
47	(8G6-47464-00-00)	BRACKET 6	1	
48	90101-06348-00	BOLT	6	
49	92995-06100-00	WASHER, SPRING	6	
50	890-47447-00-00	HOOK 2	2	
51	97021-08065-00	BOLT	2	
52	92990-08200-00	WASHER, PLAIN	4	
53	90387-08575-00	COLLAR	2	
54	95712-08300-00	NUT, LOCK	2	
55	8A5-47331-01-00	ARM, PIVOT 1	1	
56	8A5-47485-02-00	SHAFT 3	1	
57	97013-10030-00	BOLT (8J7) (97303-10030)	2	

CONTINUED ON NEXT FRAME ►

Property of [www.SmallEngineDiscount.com](http://www.SmallEngineDiscount.com) - Not for Resale

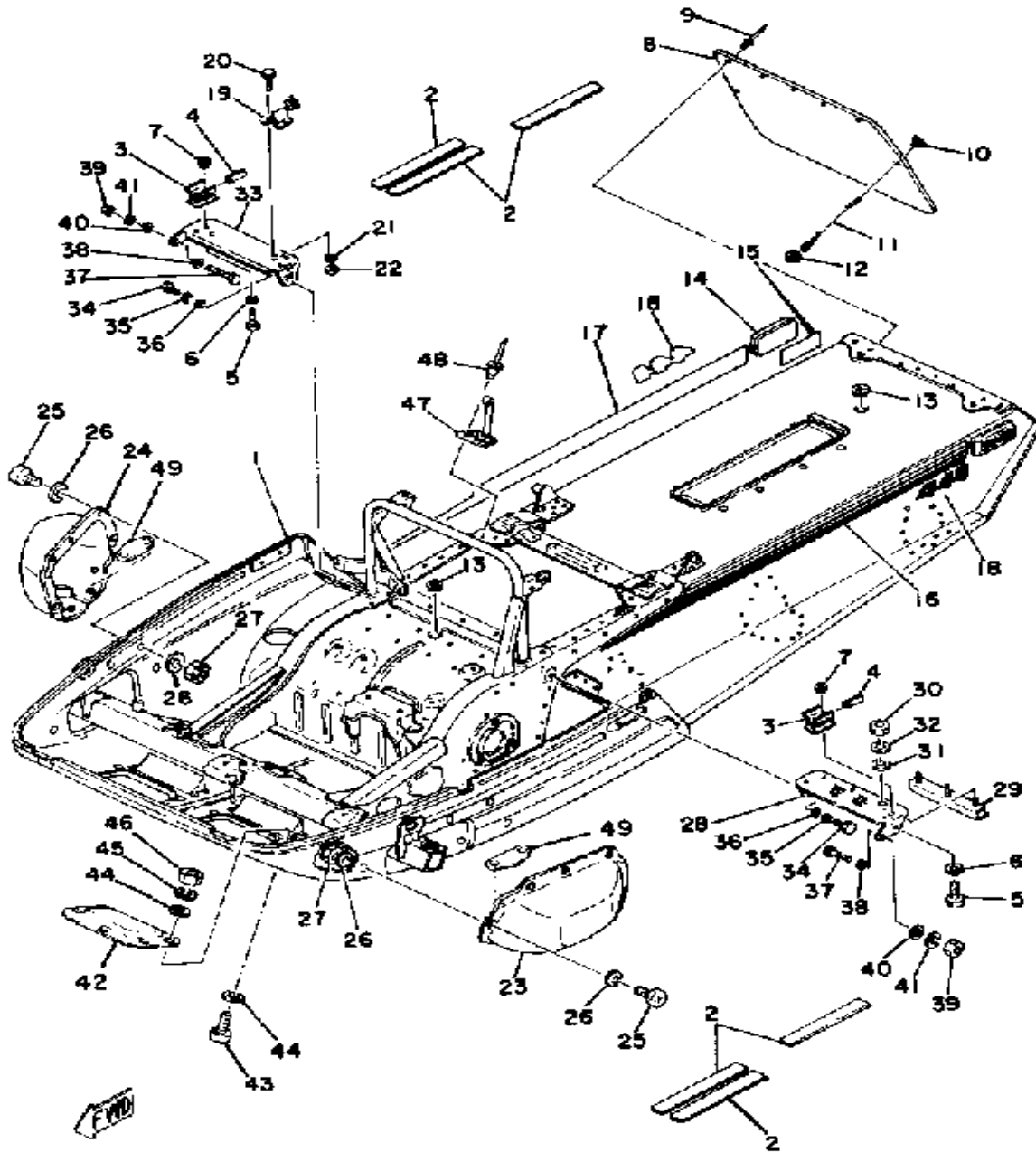
# TRACK SUSPENSION



Ref. No.	Part Number	Description	Qty	Remarks
58	92990-10100-00	WASHER, SPRING .....	2	
59	8A5-47465-02-00	SHAFT 1 .....	1	
60	97013-10030-00	BOLT (8J7) (97303-10030) ....	2	
61	92901-10400-00	WASHER, EX.TOOTH .....	4	
62	885-47341-00-00	SPACER .....	2	
63	8E3-47495-00-00	STOPPER 1 .....	1	
64	97013-06035-00	BOLT .....	1	
65	90201-06407-00	WASHER, PLATE (90201-06747-00) .....	1	
66	95701-06300-00	NUT, NYLON .....	1	
67	899-47415-00-00	BRACKET 1 .....	1	
68	90101-08374-00	BOLT .....	1	
69	92990-08200-00	WASHER, PLAIN .....	4	
70	95712-08300-00	NUT, LOCK .....	1	
71	90387-30570-00	COLLAR .....	2	
72	8E7-47446-00-00	HOOK 1 .....	2	
73	8G6-47446-00-00	HOOK 1 .....	2	
74	90508-65377-00	SPRING, TORSION .....	1	
75	90508-65378-00	SPRING, TORSION .....	1	
76	97021-10018-00	BOLT .....	2	
77	92990-10100-00	WASHER, SPRING .....	2	
78	8A5-47115-00-00	METAL, SLIDE .....	1	

Property of [www.SmallEngineDiscount.com](http://www.SmallEngineDiscount.com) - Not for Resale

# FRAME

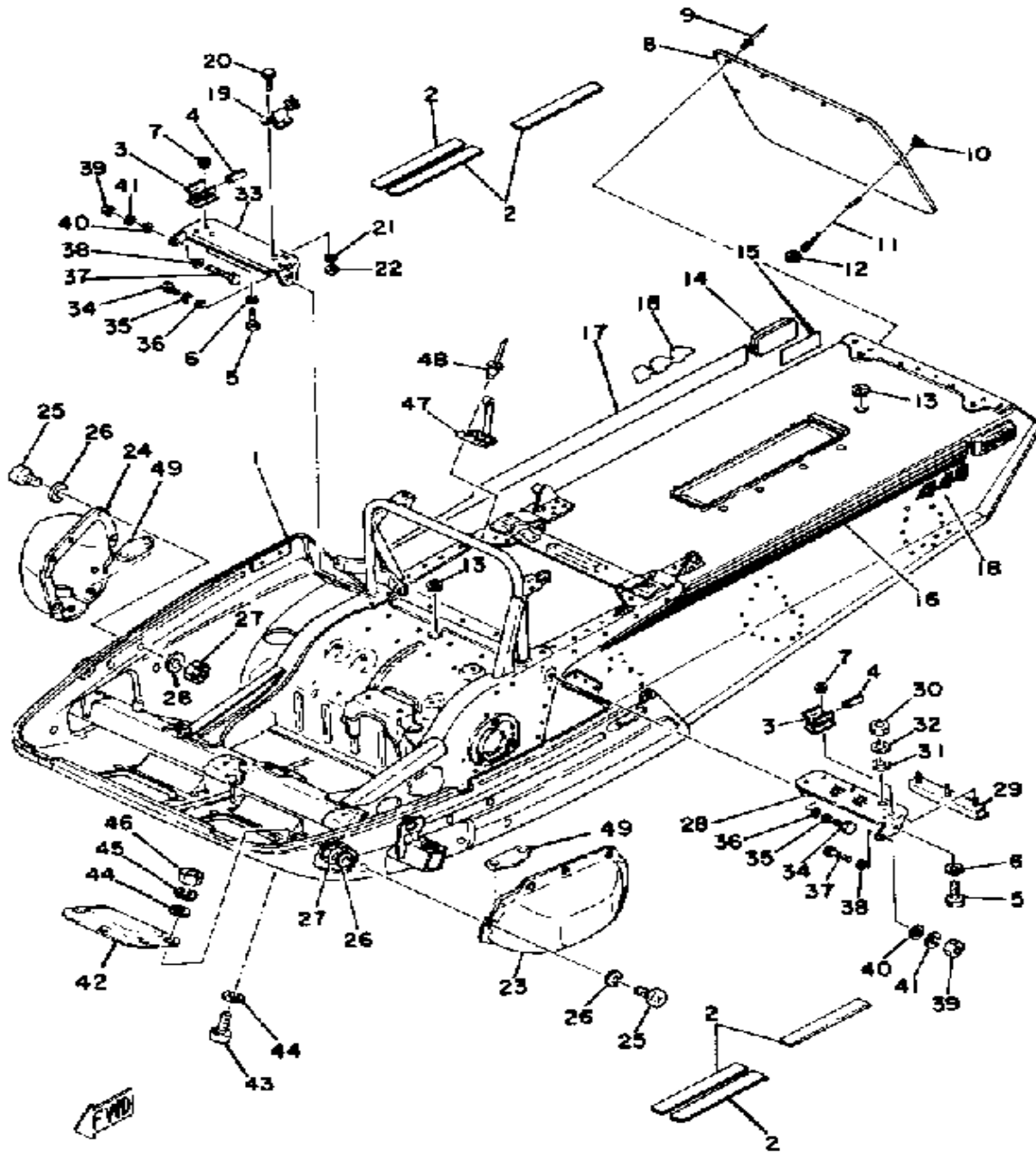


Ref. No.	Part Number	Description	Qty	Remarks
1	8G9-21910-00-00	FRAME .....	1	
2	8G6-27413-00-00	COVER, FOOTREST PARTS .....	6	
3	878-77137-01-00	CLAMP 3 .....	2	
4	878-77188-00-00	STOPPER .....	2	
5	97001-06008-00	BOLT, HEXAGON .....	2	
6	90201-06407-00	WASHER, PLATE (90201-06747-00) .....	2	
7	95701-06300-00	NUT, NYLON .....	2	
8	8V8-77595-00-00	FLAP .....	1	
9	90267-48086-00	RIVET, BLIND .....	5	
10	90338-10024-00	PLUG, SPEC'L SHAPE .....	2	
11	878-77596-00-00	STOPPER, FLAP .....	2	
12	(90468-16059-00)	CLIP .....	2	
13	810-77716-00-00	ORNAMENT, INSTRUMENT PANEL 2 .....	2	
14	81G-85130-00-00	REAR REFLECTOR ASSEMBLY	2	
15	878-85133-00-00	TAPE, REFLECTOR .....	2	
16	8G9-77351-00-00	EMBLEM 1 .....	1	
17	8G9-77352-00-00	EMBLEM 2 .....	1	
18	(8G6-77353-00-00)	EMBLEM 3 .....	2	
19	8A5-23874-00-00	HOLDER, WIRE .....	1	
20	97313-06016-00	BOLT, HEXAGON .....	2	
21	92995-06100-00	WASHER, SPRING .....	2	
22	95701-06300-00	NUT, NYLON .....	2	
23	8G9-21982-00-00	HOOD 1 .....	1	
24	8G9-21983-00-00	HOOD 2 .....	1	
25	98903-05012-00	SCREW, BIND .....	16	
26	92901-05600-00	WASHER, PLATE .....	28	
27	95701-05300-00	NUT, NYLON .....	16	

CONTINUED ON NEXT FRAME ►

Property of [www.SmallEngineDiscount.com](http://www.SmallEngineDiscount.com) - Not for Resale

# FRAME

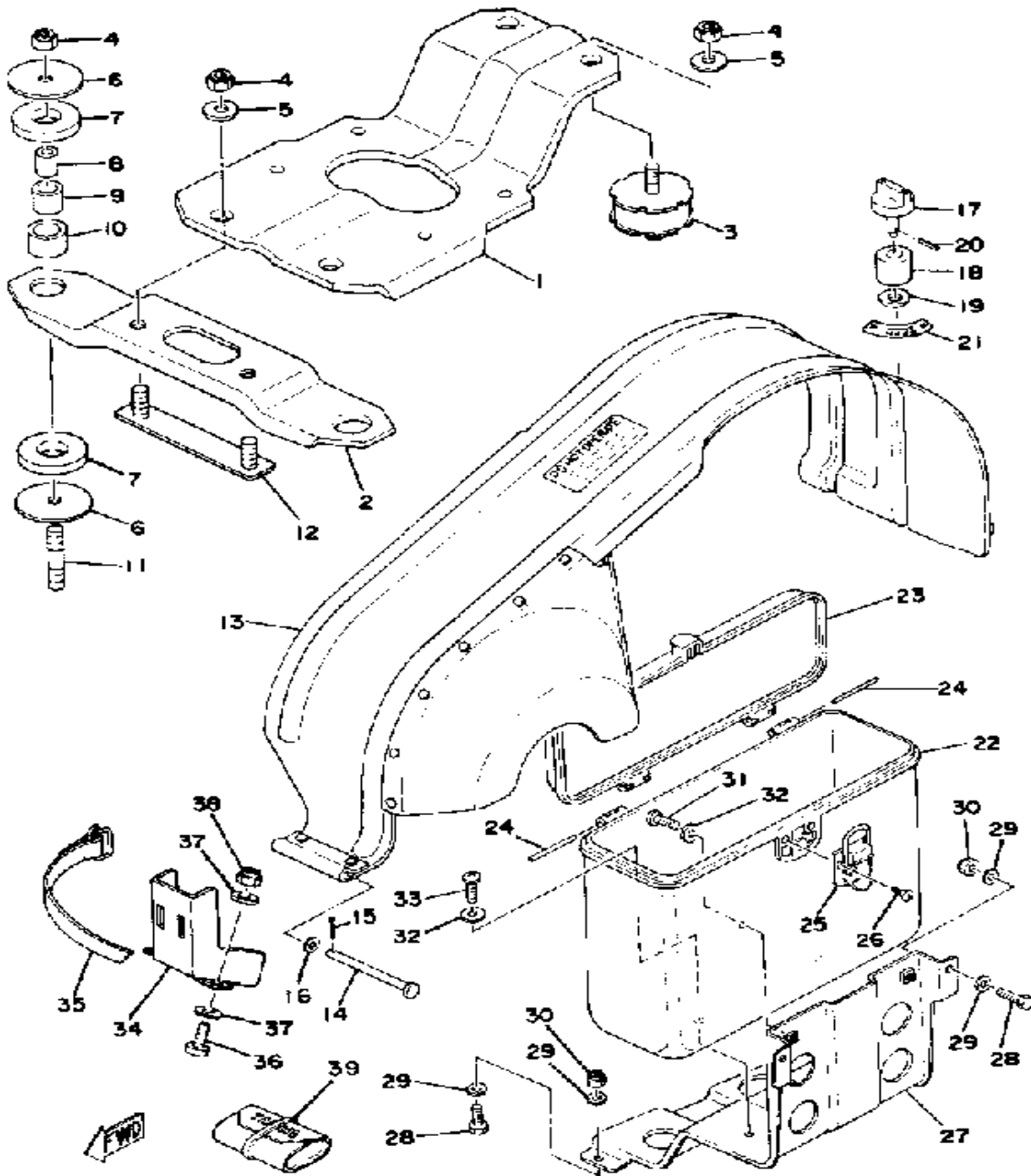


Ref. No.	Part Number	Description	Qty	Remarks
28	8G9-23883-00-00	BRACKET 3	1	
29	(8G9-82589-00-00)	PROTC, WIRE HARNESS	1	
30	95301-04600-00	NUT	3	
31	92901-04600-00	WASHER, PLATE	3	
32	92901-04100-00	WASHER, SPRING	3	
33	8A5-23884-00-00	BRACKET 4	1	
34	97313-08018-00	BOLT, HEXAGON (97301-08016)	2	
35	92990-08100-00	WASHER	2	
36	92901-08600-00	WASHER	2	
37	97313-05012-00	BOLT, HEXAGON	4	
38	92901-05600-00	WASHER, PLATE	4	
39	95303-05800-00	NUT (CROWN)	4	
40	90201-05031-00	WASHER, PLATE	4	
41	92990-05100-00	WASHER, SPRING	4	
42	8G9-21917-00-00	PANEL, SUB FRAME 6	2	
43	98580-05012-00	SCREW, PAN HEAD	10	
44	92901-05600-00	WASHER, PLATE	20	
45	92990-05100-00	WASHER, SPRING	10	
46	95380-05600-00	NUT	10	
47	8G9-23885-00-00	BRACKET 5	1	
48	90267-48014-00	RIVET, BLIND	2	
49	(8G9-21997-00-00)	PATCH 0	2	

Property of [www.SmallEngineDiscount.com](http://www.SmallEngineDiscount.com) - Not for Resale



# ENGINE BRACKET DRIVE GUARD

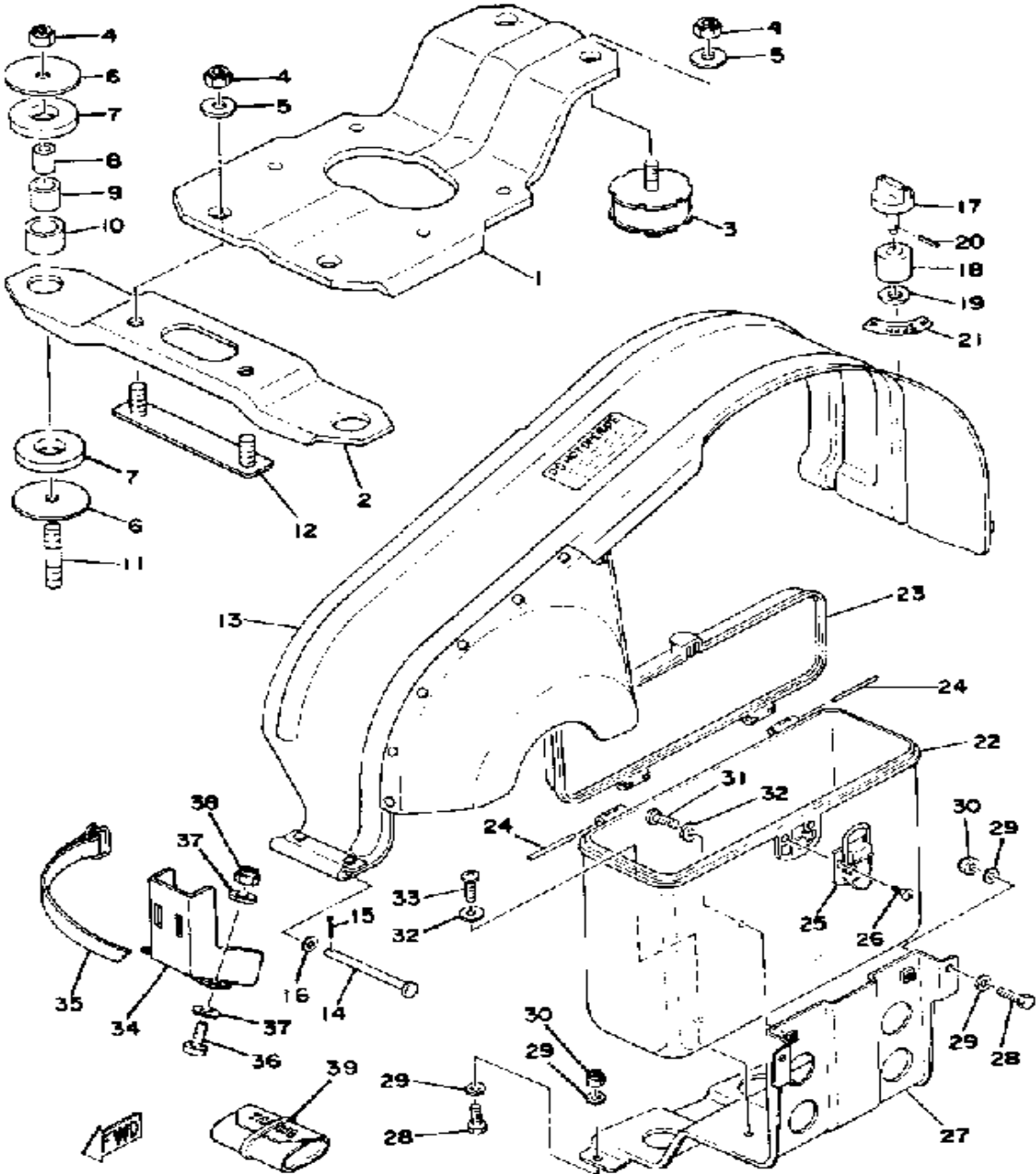


Ref. No.	Part Number	Description	Qty	Remarks
1	8A7-21411-00-00	BRACKET, ENGINE 1	1	
2	(8F2-21419-00-00)	BRACKET, ENGINE 2	1	
3	857-21486-00-00	DAMPER 2	2	
4	90185-10017-00	NUT, SELF-LOCKING	6	
5	90201-10321-00	WASHER, PLATE	4	
6	90201-10151-00	WASHER, PLATE	4	
7	8A5-21485-00-00	DAMPER, RUBBER 1	4	
8	(90387-10613-00)	COLLAR	2	
9	90385-15025-00	BUSH, SPEC'L RUBBER	2	
10	90387-21515-00	COLLAR	2	
11	95611-10345-00	BOLT, STUD	2	
12	(8F2-21481-00-00)	BOLT, ENG MNTNG 1	1	
13	8F2-77311-00-00	GUARD, DRIVE	1	
14	91701-06082-00	PIN, CLEVIS	1	
15	91490-20020-00	PIN, COTTER	1	
16	90201-061A5-00	WASHER, PLATE	1	
17	(829-77324-00-00)	KNOB	2	
18	90385-08009-00	BUSH, SPEC'L RUBBER	2	
19	90201-08104-00	WASHER, PLATE	2	
20	91609-40024-00	PIN, SPRING (91609-40025-00)	2	
21	(829-77366-00-00)	EMBLEM 1	2	
22	(8E7-77391-00-00)	LUGGAGE BOX	1	
23	8E7-77392-00-00	COVER, LUGGAGE BOX	1	
24	90249-03021-00	PIN, SPEC'L SHAPE	2	
25	8E7-77340-00-00	LUGGE BOX LTCH ASSEMBLY	1	
26	98702-03008-00	SCREW, FLAT HEAD	3	
27	(8E7-77397-00-00)	STAY 1	1	
28	97313-06016-00	BOLT, HEXAGON	5	
29	90201-061A5-00	WASHER, PLATE	10	

CONTINUED ON NEXT FRAME ➤

Property of [www.SmallEngineDiscount.com](http://www.SmallEngineDiscount.com) - Not for Resale

# ENGINE BRACKET DRIVE GUARD

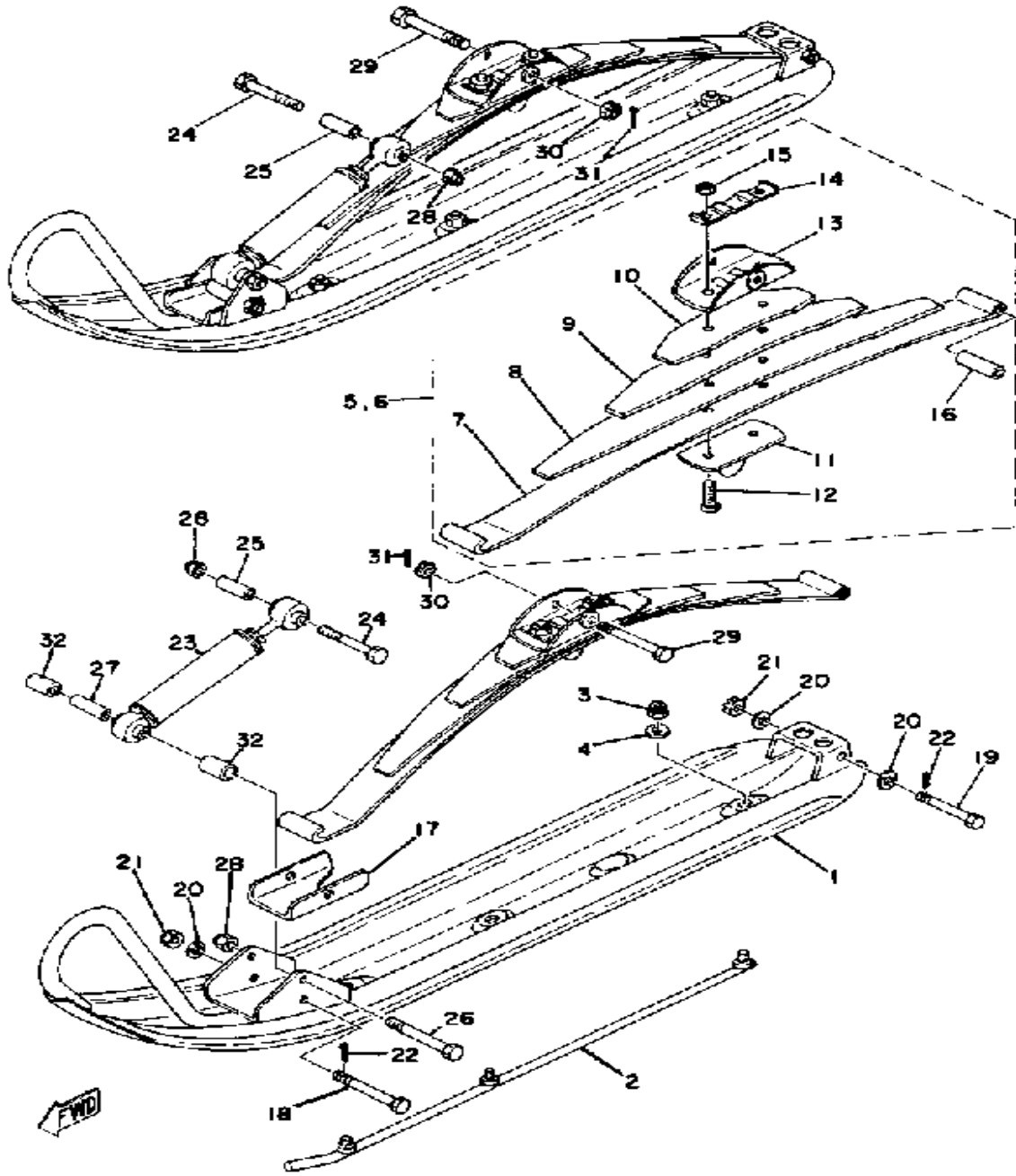


Ref. No.	Part Number	Description	Qty	Remarks
30	95701-06300-00	NUT, NYLON	5	
31	98903-06012-00	SCREW, BIND	2	
32	90201-06407-00	WASHER, PLATE (90201-06747-00)	4	
33	97313-06016-00	BOLT, HEXAGON	2	
34	(8G9-77338-00-00)	STAY, BELT	1	
35	(8G9-77332-00-00)	BAND, SERVICE BAG	2	
36	98580-05016-00	SCREW, PAN HEAD	3	
37	92901-05600-00	WASHER, PLATE	6	
38	95701-05300-00	NUT, NYLON	3	
39	8G6-28100-00-00	TOOL KIT (8G6-28100-10)	1	

Property of [www.SmallEngineDiscount.com](http://www.SmallEngineDiscount.com) - Not for Resale



# SKI

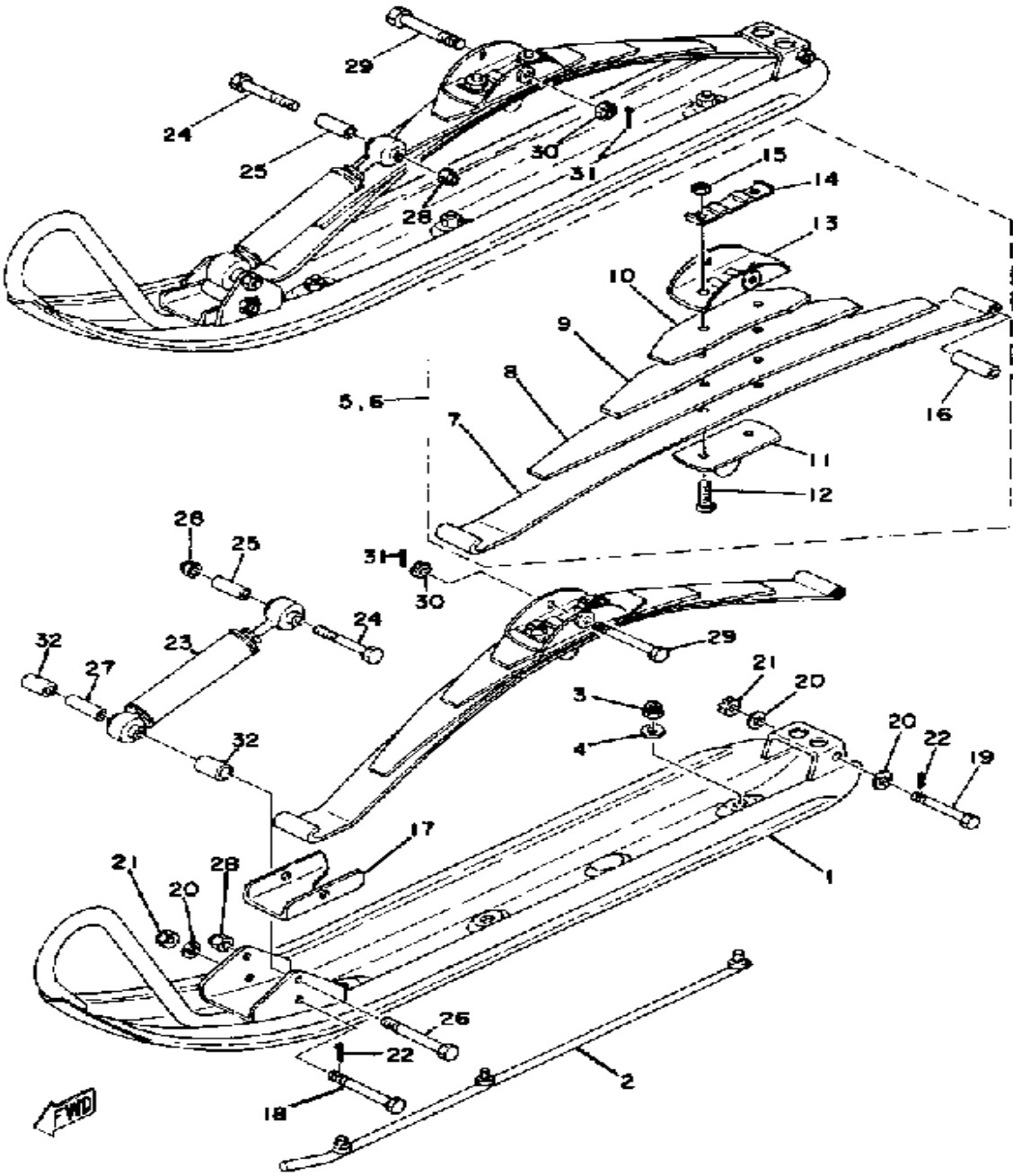


Ref. No.	Part Number	Description	Qty	Remarks
1	8G9-23710-00-00	SKI 1	2	
2	888-23731-01-XX	SKI RUNNER, 1	2	
3	95611-08100-00	NUT, U	6	
4	92901-08600-00	WASHER	6	
5	8G9-23760-00-00	SPRING ASSEMBLY 1	1	
6	(8G9-23770-00-00)	SPRING ASSEMBLY 2	1	
7	888-23761-00-00	. LEAF 1	2	
8	865-23762-00-00	. LEAF 2	2	
9	899-23763-00-00	. LEAF 3	2	
10	899-23764-00-00	. LEAF 4	2	
11	878-23768-00-00	. SEAT, SPRING 1	2	
12	90109-105E7-00	. BOLT	4	
13	888-23766-10-00	. SADDLE 1	2	
14	90215-10155-00	. WASHER, LOCK	2	
15	95701-10500-00	. NUT, FLANGE (95702-10500)	4	
16	90387-08478-00	. COLLAR	2	
17	888-23735-00-00	PLATE, WEAR 1	2	
18	90102-08025-00	BOLT, WITH HOLE	2	
19	90102-08027-00	BOLT, WITH HOLE	2	
20	92901-08600-00	WASHER	6	
21	95301-08900-00	NUT, SLOTTED (98801-08500)	4	
22	91490-20020-00	PIN, COTTER	4	
23	8G9-23350-00-00	SHOCK ABSORBER ASSEMBLY	2	
24	97313-08055-00	BOLT, HEXAGON	2	
25	90387-08262-00	COLLAR	2	
26	97013-08075-00	BOLT	2	
27	90387-08224-00	COLLAR	2	
28	95712-08300-00	NUT, LOCK	4	

CONTINUED ON NEXT FRAME ►

Property of [www.SmallEngineDiscount.com](http://www.SmallEngineDiscount.com) - Not for Resale

# SKI

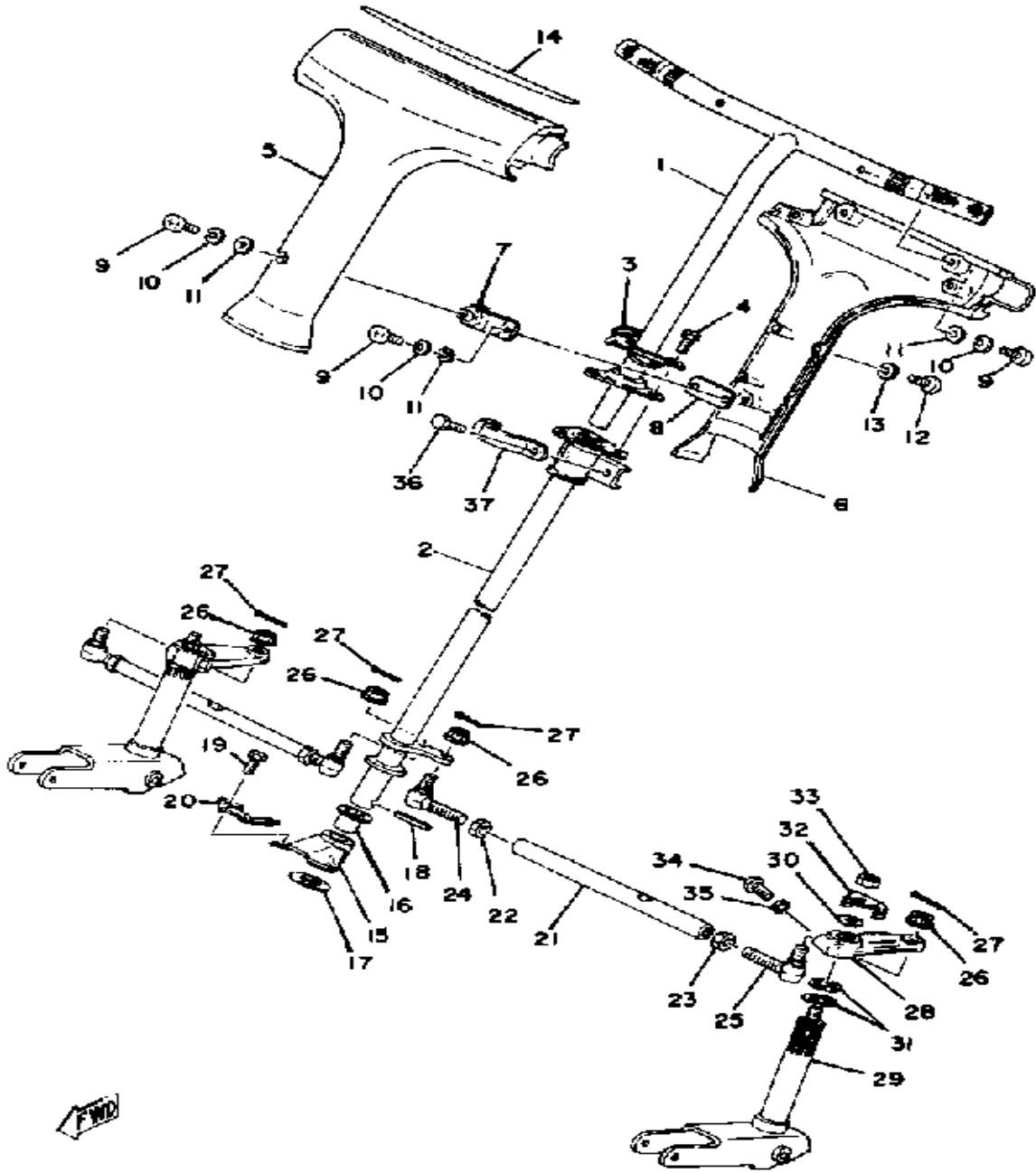


Ref. No.	Part Number	Description	Qty	Remarks
29	90102-12022-00	BOLT, WITH HOLE .....	2	
30	90171-12040-00	NUT, CASTLE .....	2	
31	91401-30030-00	PIN, COTTER .....	2	
32	90387-12484-00	COLLAR .....	4	

Property of [www.SmallEngineDiscount.com](http://www.SmallEngineDiscount.com) - Not for Resale

C10

# STEERING

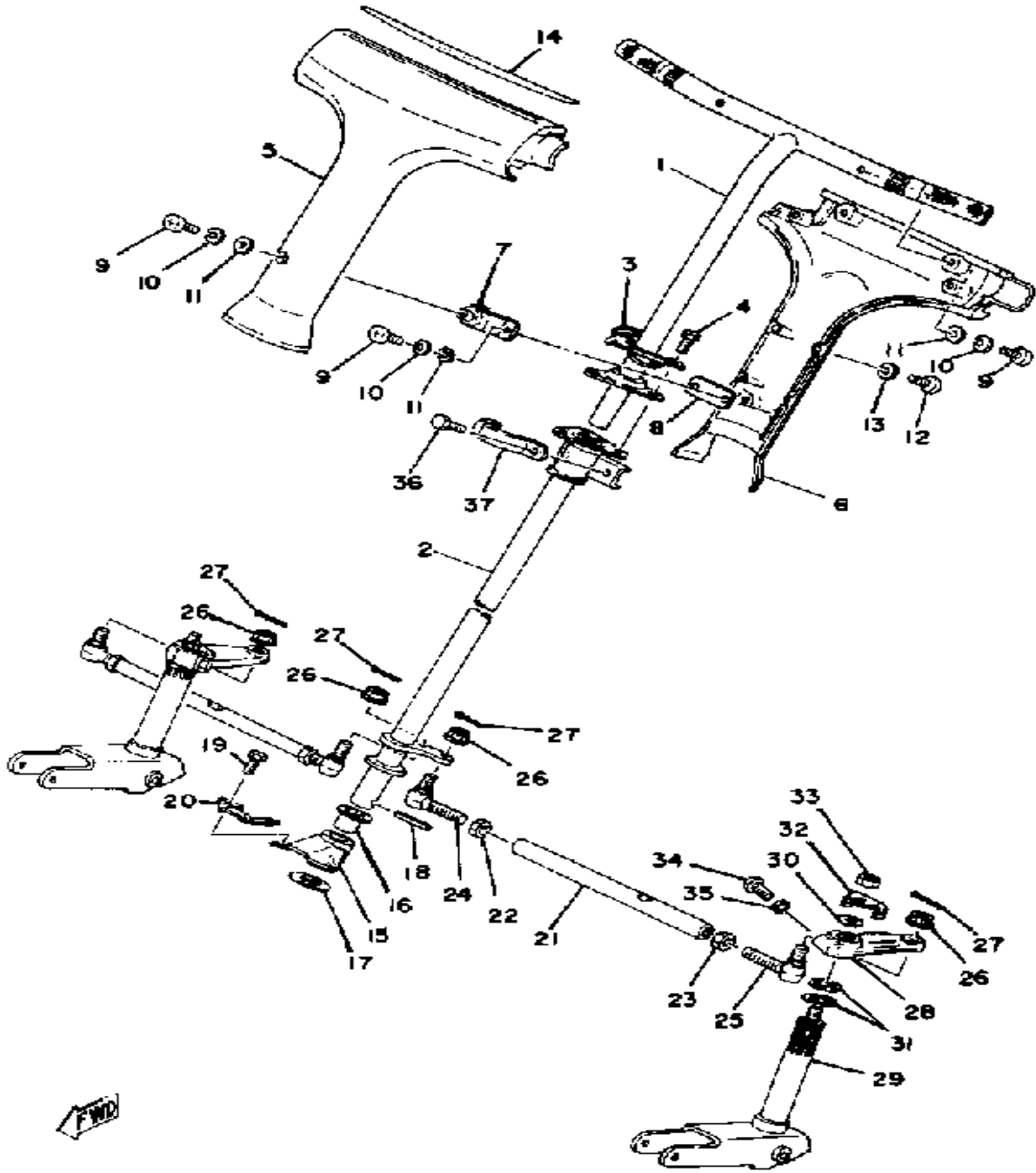


Ref. No.	Part Number	Description	Qty	Remarks
1	8G9-23811-00-00	COLUMN, STEERING	1	
2	8E7-23813-00-00	COLUMN, STEERING 2	1	
3	(888-23894-00-00)	WASHER, LOCK 1	1	
4	97011-06016-00	BOLT	3	
5	(8G9-23815-00-00)	PAD, STEERING	1	
6	8G9-23817-00-00	PAD, STEERING	1	
7	8G9-23881-00-00	BRACKET 1	1	
8	(8G9-23882-01-00)	BRACKET 2	1	
9	98516-05012-00	SCREW, PAN HEAD 4CG	5	
10	92906-05100-00	WASHER, SPRING	5	
11	92906-05600-00	WASHER, PLATE	5	
12	98506-04012-00	SCREW, PAN HEAD	4	
13	92906-04100-00	WASHER, SPRING	4	
14	8G9-23819-00-00	EMBLEM	1	
15	8E7-23868-00-00	BRACKET, STRG LOWERLOWER	1	
16	8E7-23875-00-00	BEARING, STRG LOWERLOWER	1	
17	(856-23812-00-00)	BEARING, STEERING	1	
18	91609-60040-00	PIN, SPRING	1	
19	97313-08018-00	BOLT, HEXAGON (97301-08016)	2	
20	(8E7-23895-00-00)	WASHER, LOCK 2	1	
21	8F2-23821-00-00	ROD, STEERING RELAY	2	
22	95303-10700-00	NUT	2	
23	90170-10186-00	NUT	2	
24	888-23841-91-00	JOINT, UNIVERSAL 1	2	
25	888-23845-91-00	JOINT, UNIVERSAL 2	2	
26	90171-10018-00	NUT, CASTLE	4	
27	91401-25030-00	PIN, COTTER	4	

CONTINUED ON NEXT FRAME ►

Property of [www.SmallEngineDiscount.com](http://www.SmallEngineDiscount.com) - Not for Resale

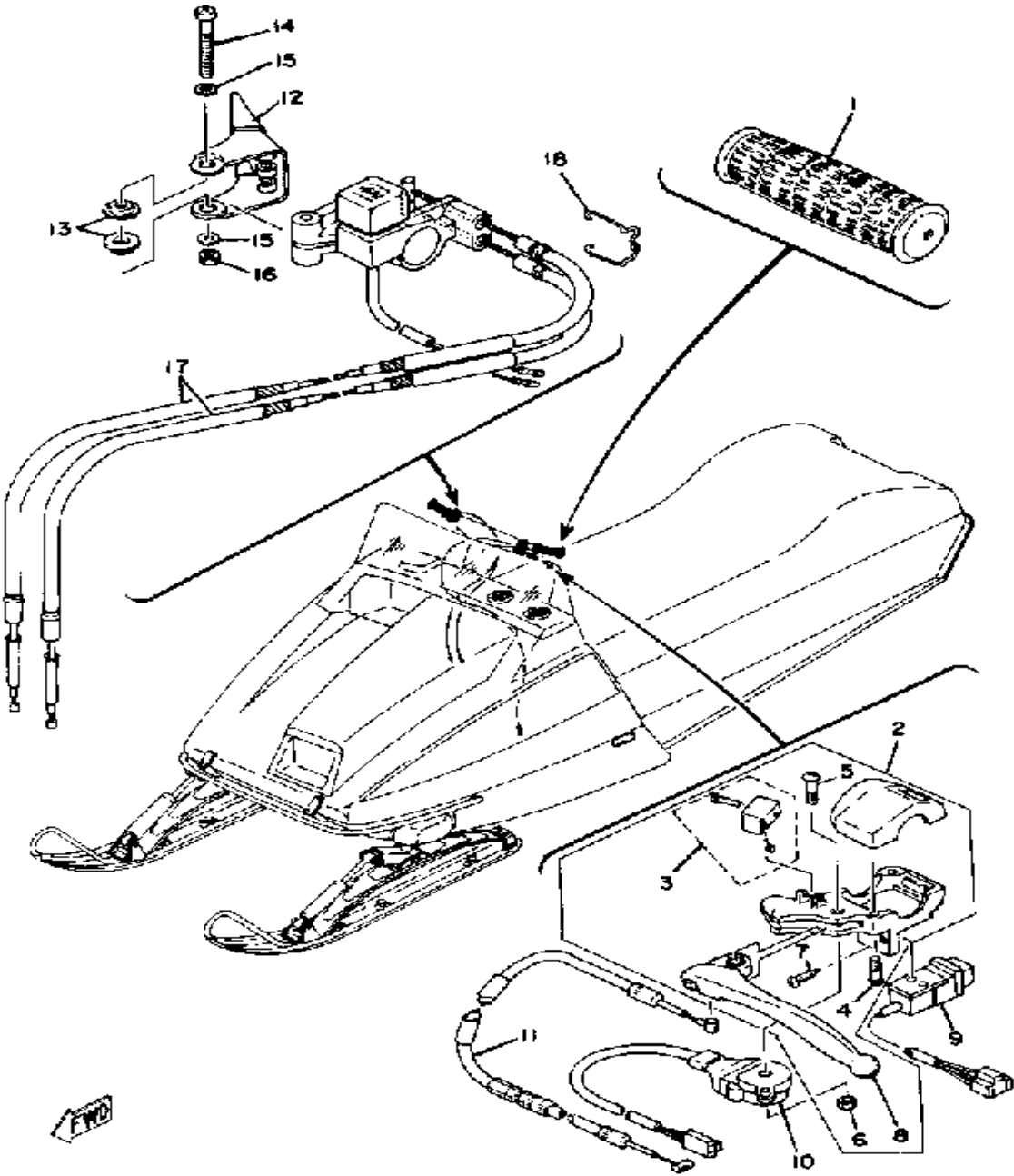
# STEERING



Ref. No.	Part Number	Description	Qty	Remarks
28	(8F2-23851-00-00)	ARM, OUTSIDE 1	2	
29	8G9-23853-00-00	COLUMN, SKI 1	2	
30	90201-100A1-00	WASHER, PLATE	2	
31	90206-20037-00	WASHER, WAVE	4	
32	90215-10096-00	WASHER, LOCK	2	
33	95303-10600-00	NUT (95301-10600)	2	
34	97313-08030-00	BOLT, HEXAGON	2	
35	92990-08100-00	WASHER	2	
36	97011-06016-00	BOLT	2	
37	90215-06054-00	WASHER, LOCK	1	

Property of [www.SmallEngineDiscount.com](http://www.SmallEngineDiscount.com) - Not for Resale

# GRIP WIRING

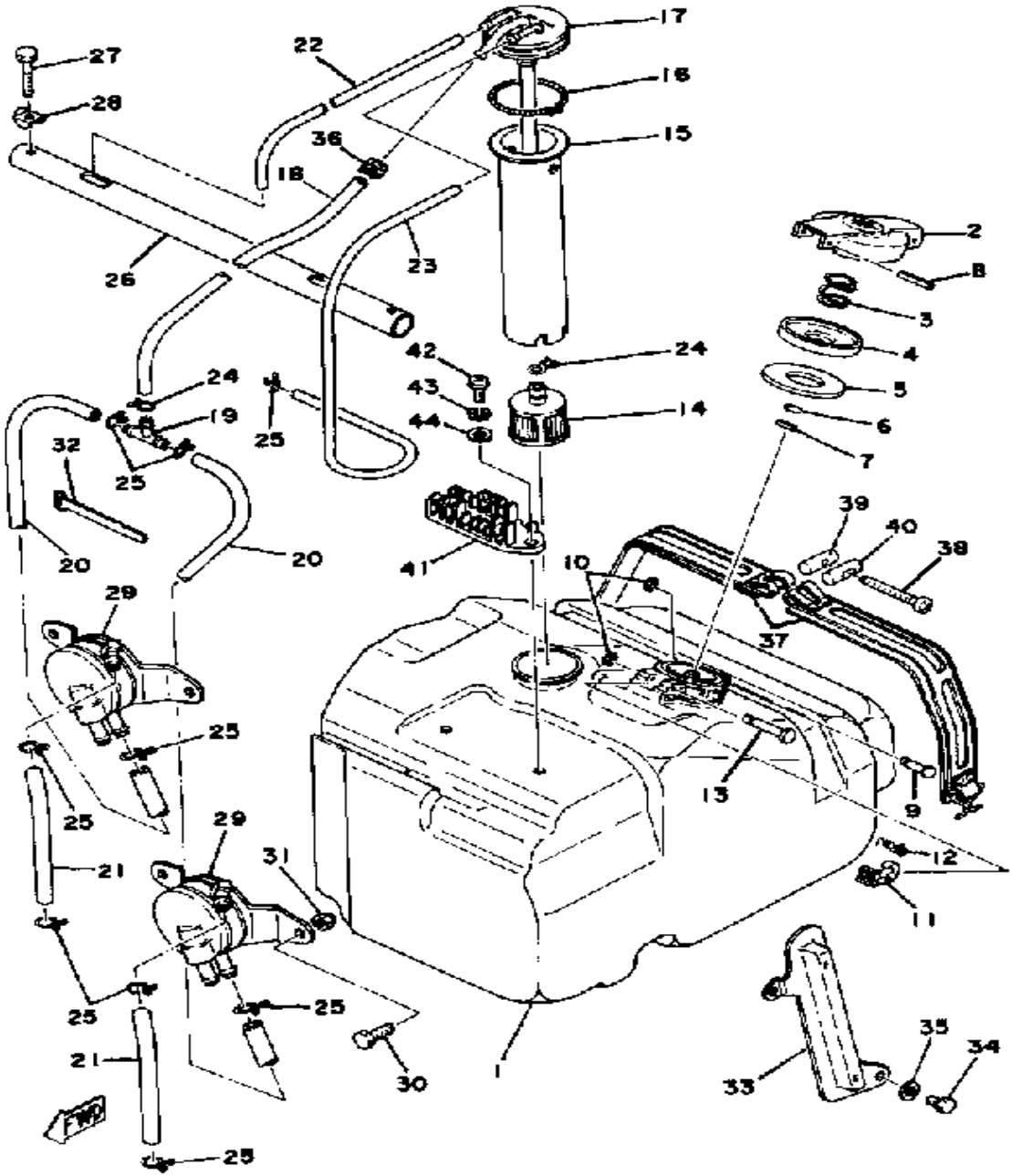


Ref. No.	Part Number	Description	Qty	Remarks
1	801-26241-01-00	GRIP .....	2	
2	8E3-W8291-01-00	LEVER HOLDER ASSEMBLY (LEFT) .....	1	
3	8E3-83930-00-00	. LEVER LOCK ASSEMBLY ...	1	
4	98501-05018-00	. SCREW, PAN HEAD .....	2	
5	98501-05035-00	. SCREW, PAN HEAD .....	1	
6	95701-05300-00	. NUT, NYLON .....	1	
7	97780-30312-00	. SCREW, tapping .....	1	
8	803-83912-00-38	. LEVER 1 .....	1	
9	8H8-83950-01-00	BEAM SWITCH ASSEMBLY (8K4-83950-01-00) .....	1	
10	8R4-82530-00-00	STOP SWITCH ASSEMBLY ...	1	
11	(8G9-26340-01-00)	CABLE, BRAKE .....	1	
12	(8H0-42138-00-00)	LEVER, THROTTLE .....	1	
13	90387-062M9-00	COLLAR .....	2	
14	98580-06545-00	SCREW PAN HEAD (92503-06045) .....	1	
15	90201-061A5-00	WASHER, PLATE .....	2	
16	95701-06300-00	NUT, NYLON .....	1	
17	8G9-26311-00-00	CABLE, THROTTLE 1 .....	2	
18	(878-26391-00-00)	CLIP, CABLE .....	1	

Property of [www.SmallEngineDiscount.com](http://www.SmallEngineDiscount.com) - Not for Resale



# FUEL TANK



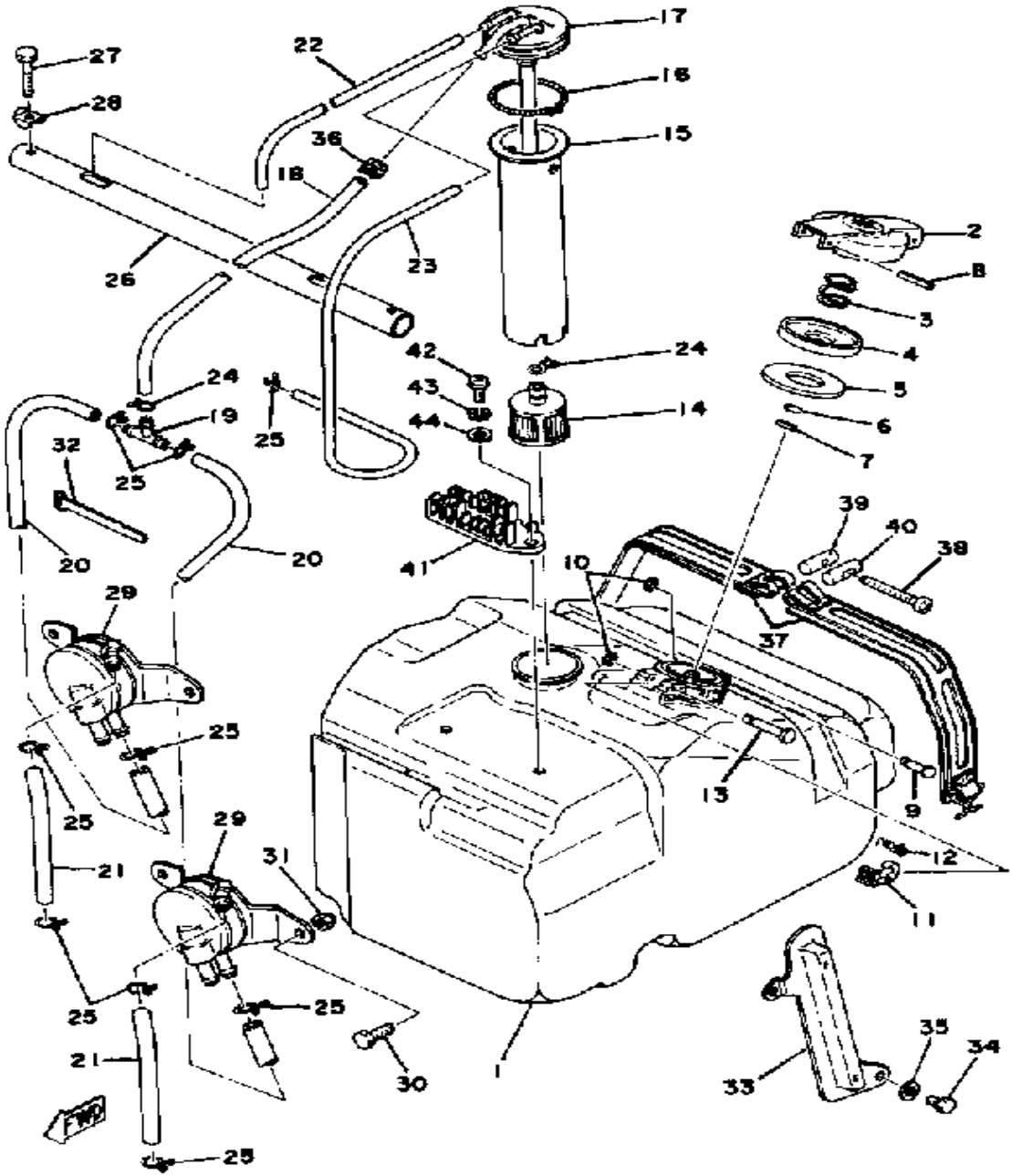
Ref. No.	Part Number	Description	Qty	Remarks
1	(8G9-24111-00-00)	FUEL TANK .....	1	
2	(8A7-24611-00-00)	BODY, CAP .....	1	
3	90501-20130-00	SPRING, COMPRESSION .....	1	
4	813-24613-01-00	DISC, CAP .....	1	
5	256-24612-00-00	GASKET, CAP .....	1	
6	93210-04122-00	O-RING .....	1	
7	91609-30016-00	PIN, SPRING .....	1	
8	91609-25032-00	PIN, SPRING .....	1	
9	90249-03016-00	PIN, SPEC'L SHAPE .....	1	
10	93430-02001-00	CIRCLIP .....	2	
11	83M-24628-00-00	HOOK .....	1	
12	90508-10715-00	SPRING, TORSION .....	1	
13	90249-03017-00	PIN .....	1	
14	8H5-24560-00-00	FILTER ASSEMBLY .....	1	
15	(8G9-24336-01-00)	PIPE, SUCTION 2 .....	1	
16	90506-06065-00	SPRING, TENSION .....	1	
17	(8G9-24335-00-00)	PIPE, SUCTION 1 .....	1	
18	(90446-11029-00)	HOSE .....	1	
19	807-24376-00-00	PIPE, JOINT 1 .....	1	
20	90446-09014-00	HOSE .....	2	
21	90446-09135-00	HOSE (5-390) (248-21745-00) ..	2	
22	90446-09183-00	HOSE .....	1	
23	90446-09059-00	HOSE .....	1	
24	90467-11009-00	CLIP .....	2	
25	90467-09005-00	CLIP, SCISSOR .....	9	
26	(878-24173-01-00)	BAND, TNK FITTING 1 .....	1	
27	97313-06040-00	BOLT, HEXAGON .....	2	
28	(90215-06048-00)	WASHER, LOCK .....	2	
29	8F2-24410-00-00	FUEL PUMP ASSEMBLY .....	2	

CONTINUED ON NEXT FRAME ➤

Property of [www.SmallEngineDiscount.com](http://www.SmallEngineDiscount.com) - Not for Resale



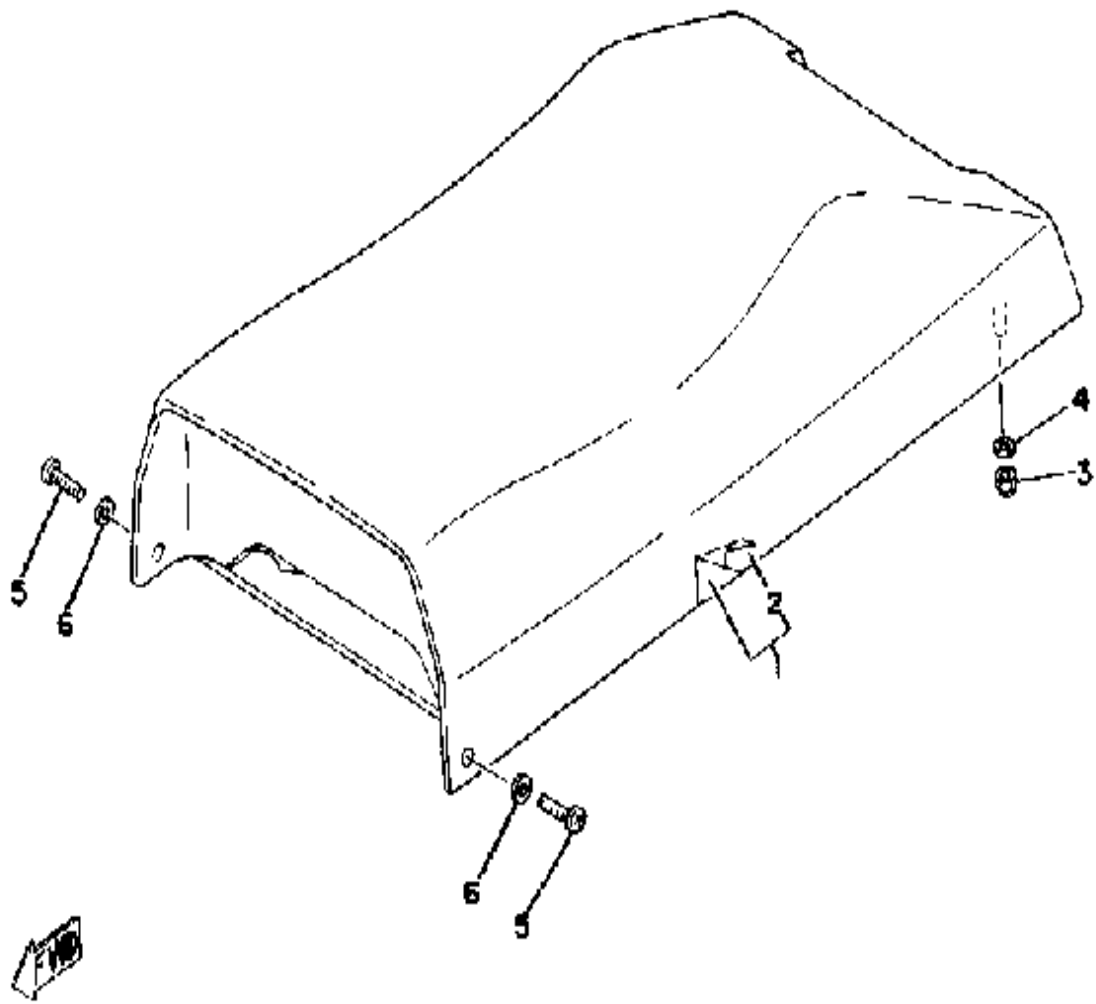
# FUEL TANK



Ref. No.	Part Number	Description	Qty	Remarks
30	97013-06012-00	BOLT	4	
31	95601-06100-00	NUT, U	4	
32	437-83936-01-00	BAND, SWITCH CORD	2	
33	8G9-21761-00-00	GAUGE, LEVEL	1	
34	97013-06012-00	BOLT	2	
35	90201-061A5-00	WASHER, PLATE	2	
36	90467-11028-00	CLIP	1	
37	8G9-24199-00-00	BAND, TNK FITTING 2	2	
38	90149-05006-00	SCREW, SPEC'L SHAPE (821-24176-00)	1	
39	90179-05030-00	NUT, SPEC'L SHAPE (806-24146-00)	1	
40	806-24135-00-00	CLAMP 1	1	
41	8F3-21794-00-00	HOLDER, COUPLER	1	
42	98503-06014-00	SCREW, PAN HEAD (92502-06016)	2	
43	92995-06100-00	WASHER, SPRING	2	
44	90201-061A5-00	WASHER, PLATE	2	

Property of [www.SmallEngineDiscount.com](http://www.SmallEngineDiscount.com) - Not for Resale

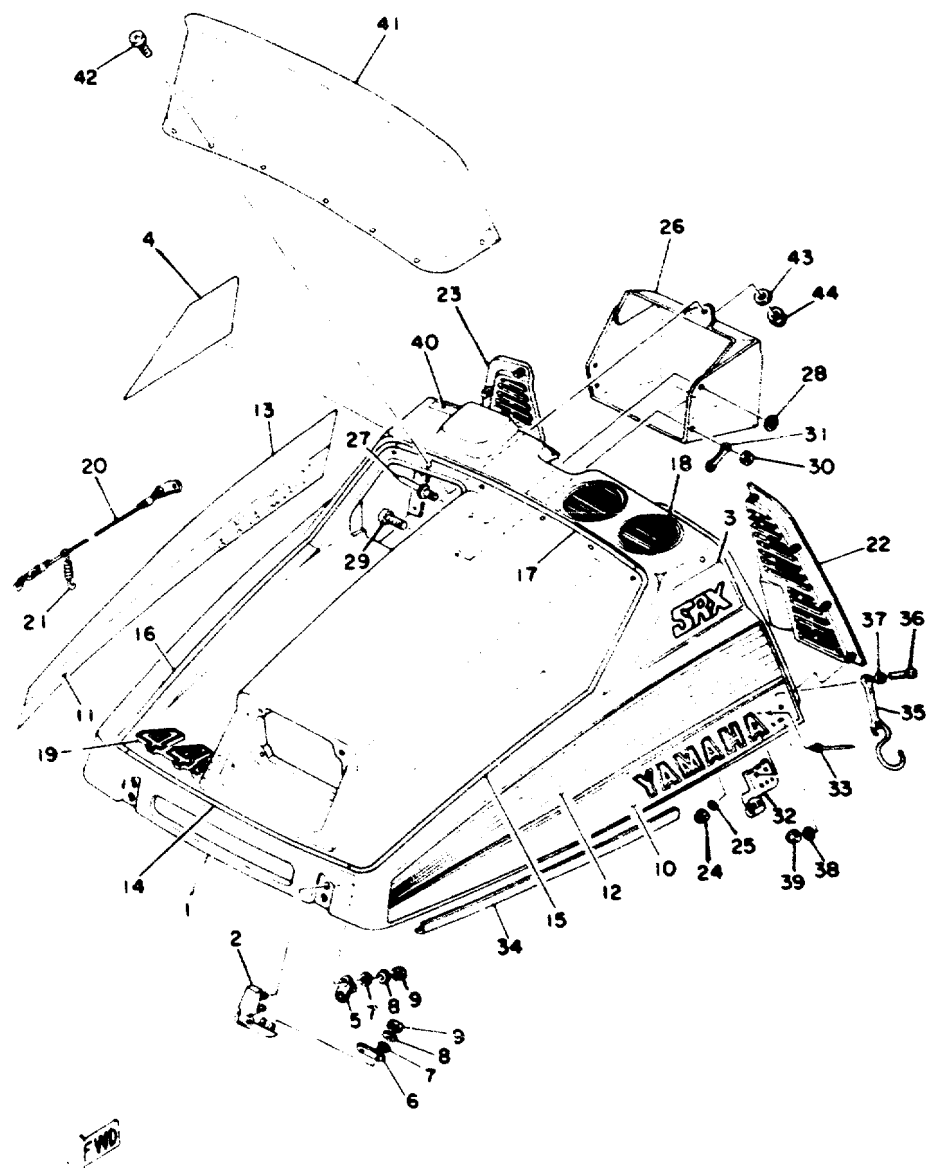
# SEAT



Ref. No.	Part Number	Description	Qty	Remarks
1	8G9-24710-00-00	SINGLE SEAT ASSEMBLY	1	
2	8G9-24711-00-00	. COVER, SINGLE SEAT	1	
3	95712-08300-00	NUT, LOCK	2	
4	90201-08107-00	WASHER, PLATE	2	
5	90159-06019-00	SCREW, WITH WASHER	2	
6	90201-06059-00	WASHER, PLATE	2	

Property of [www.SmallEngineDiscount.com](http://www.SmallEngineDiscount.com) - Not for Resale

# SHROUD

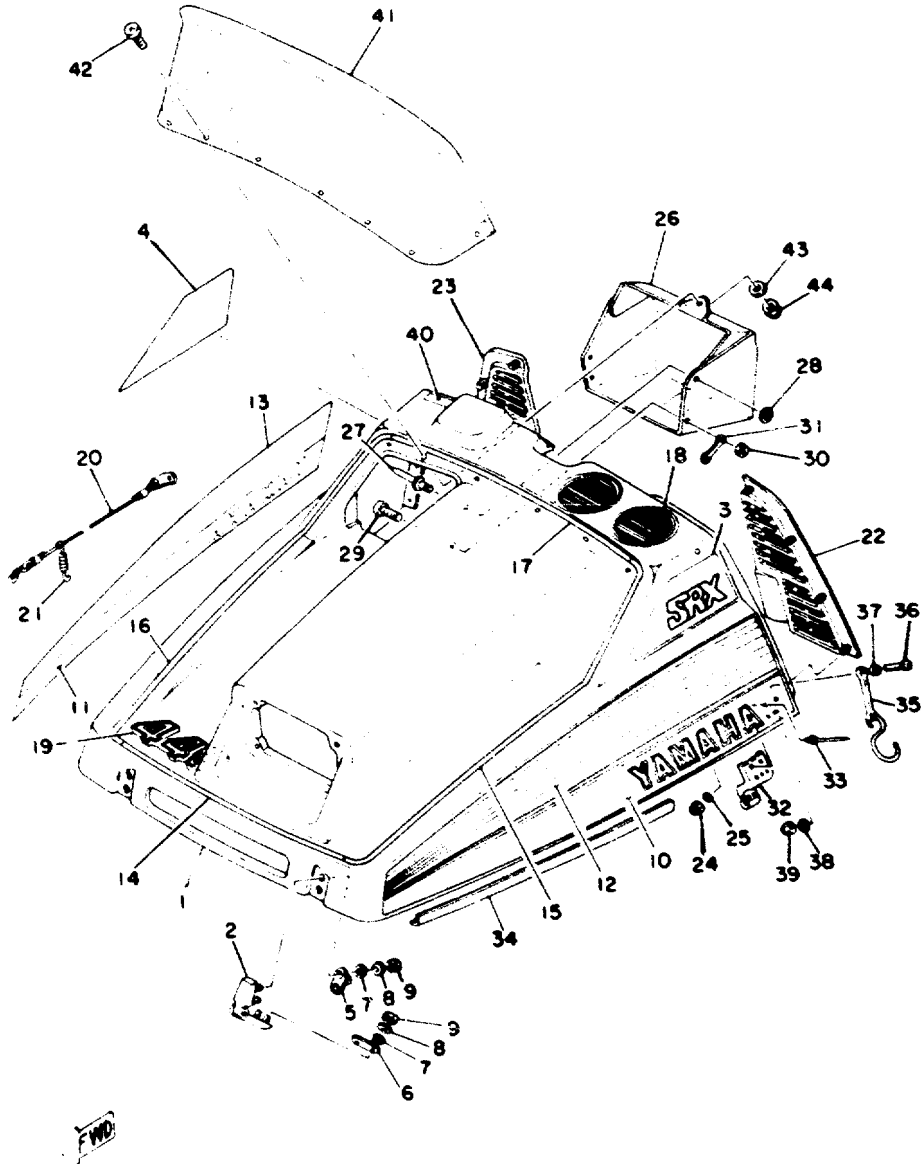


Ref. No.	Part Number	Description	Qty	Remarks
1	(8G9-77110-00-00)	SHROUD ASSEMBLY	1	
2	878-77140-00-00	HINGE ASSEMBLY	2	
3	(8G9-7716E-00-00)	REFLECTOR 1	1	
4	(8G9-7716F-00-00)	REFLECTOR 2	1	
5	8G6-77153-00-00	PLATE, BACK UP 1	2	
6	878-77154-00-00	PLATE, BACK UP 2	2	
7	90201-061A5-00	WASHER, PLATE	6	
8	92995-06100-00	WASHER, SPRING	6	
9	95380-06600-00	NUT	6	
10	8G9-77163-00-00	ORNAMENT 1	1	
11	8G9-77164-00-00	ORNAMENT 2	1	
12	(8J0-77113-01-00)	ORNAMENT 4	1	
	(8J0-77114-01-00)	ORNAMENT 5	1	
	(99999-01358-00)	ORNAMENT	1	
13	(8F2-77114-00-00)	ORNAMENT 5	1	
14	8G9-77282-00-00	STRIPE 2	1	
15	(8G9-77283-00-00)	STRIPE 3	1	
16	(8G9-77284-00-00)	STRIPE 4	1	
17	(8G9-77285-00-00)	STRIPE 5	1	
18	8A7-77133-00-00	LOUVER 3	2	
19	(8G9-77358-00-00)	EMBLEM 8	1	
20	8F2-77118-00-00	STOPPER, SHROUD	1	
21	838-77159-00-00	CLAMP, ROD	1	
22	8A5-77131-01-00	LOUVER 1	1	
23	8A5-77132-01-00	LOUVER 2	1	
24	95701-05300-00	NUT, NYLON	8	
25	90201-05029-00	WASHER, PLATE	8	
26	(8K2-77194-00-00)	DUCT	1	
27	90267-48078-00	RIVET, BLIND	3	

CONTINUED ON NEXT FRAME ➤

Property of [www.SmallEngineDiscount.com](http://www.SmallEngineDiscount.com) - Not for Resale

# SHROUD

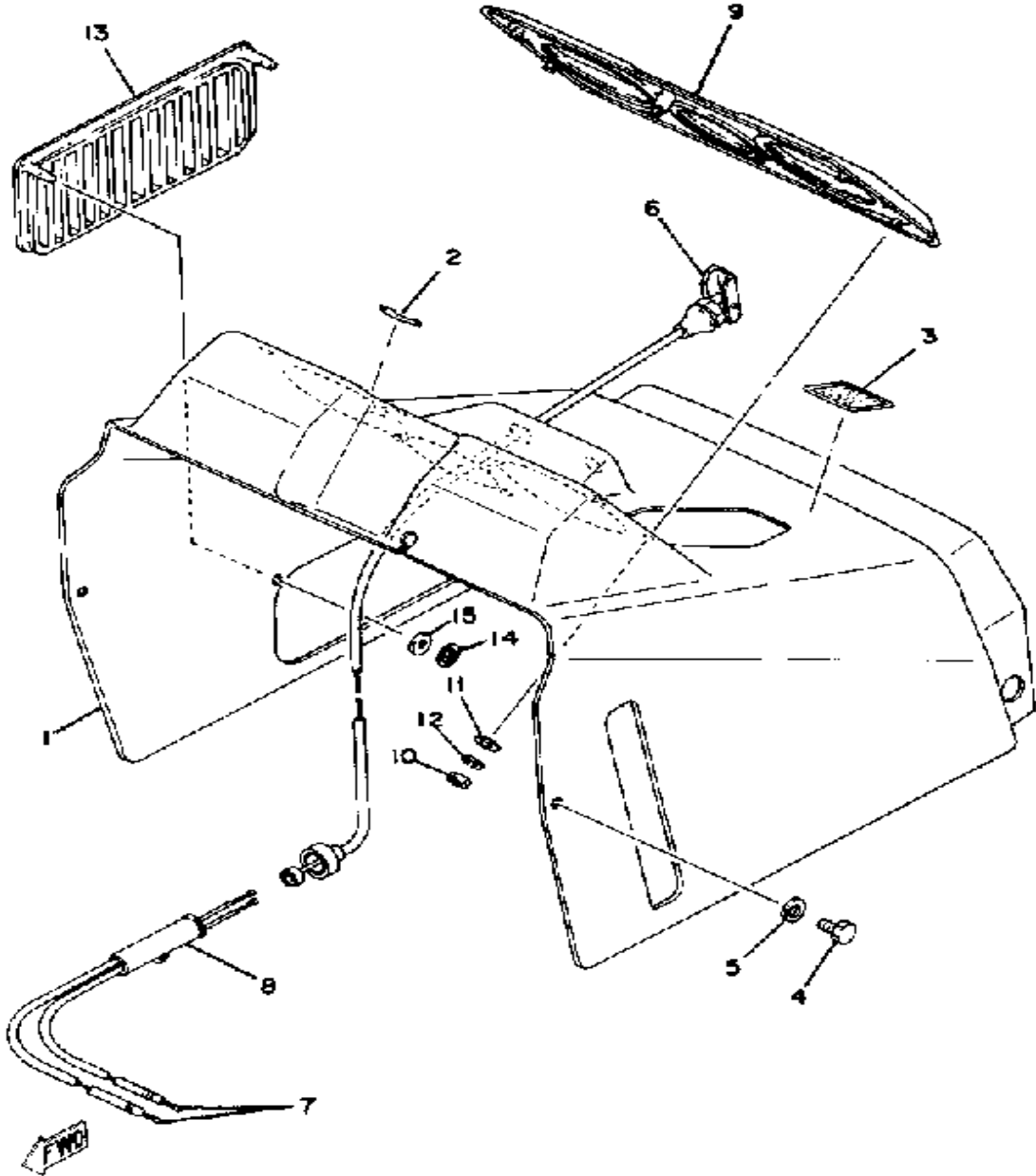


Ref. No.	Part Number	Description	Qty	Remarks
28	90201-04325-00	WASHER, PLATE .....	3	
29	98901-05016-00	SCREW, BIND (98903-05016-00)	1	
30	95701-05300-00	NUT, NYLON .....	1	
31	(8A7-77116-00-00)	WASHER, SPECIAL .....	1	
32	(8F2-77136-00-00)	CLAMP 2 .....	2	
33	90267-40M00-00	RIVET, BLIND .....	6	
34	(8A7-77161-01-00)	STRIP, WEATHER 1 .....	2	
35	856-77170-00-00	LATCH ASSEMBLY .....	2	
36	98980-06030-00	SCREW, BIND .....	2	
37	90201-06067-00	WASHER, PLATE .....	2	
38	90201-061A5-00	WASHER, PLATE .....	2	
39	95701-06300-00	NUT, NYLON .....	2	
40	288-21659-00-00	LABEL, SAFETY .....	1	
41	8G9-77210-00-00	WINDSHIELD .....	1	
42	90154-05059-00	SCREW, BINDING .....	8	
43	90201-05029-00	WASHER, PLATE .....	8	
44	95701-05300-00	NUT, NYLON .....	8	

Property of [www.SmallEngineDiscount.com](http://www.SmallEngineDiscount.com) - Not for Resale

D6

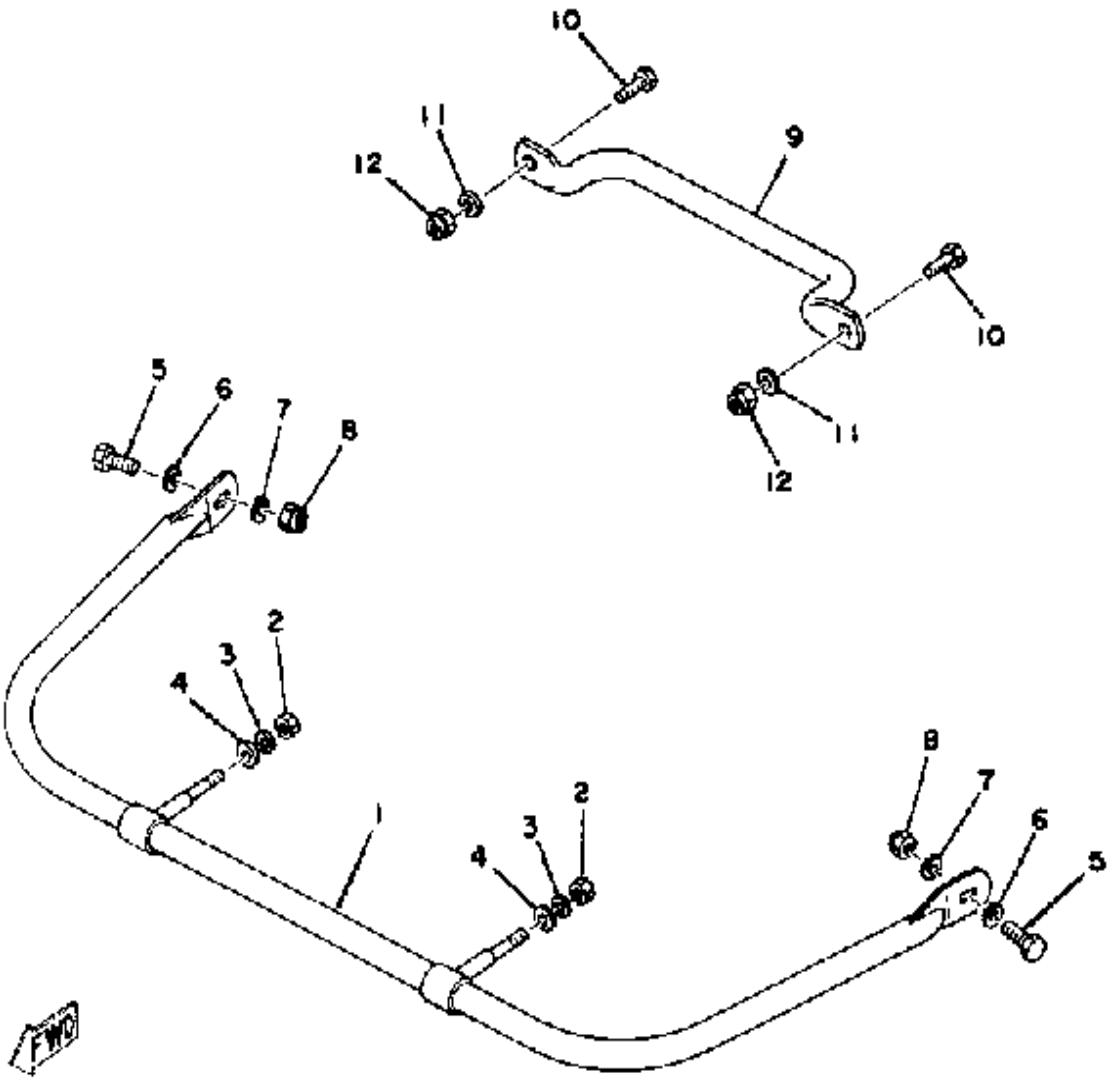
# INSTRUMENT PANEL



Ref. No.	Part Number	Description	Qty	Remarks
1	8G9-77711-00-00	PANEL, INSTRUMENT	1	
2	(878-77741-00-00)	INDICATOR 1	1	
3	(8G9-77743-00-00)	INDICATOR 3	1	
4	97026-06014-00	BOLT	2	
5	90201-061A5-00	WASHER, PLATE	2	
6	8G9-26331-00-00	CABLE, STARTER 1	1	
7	8A7-26334-00-00	CABLE, STARTER 2	2	
8	137-26261-01-00	CONNECTOR, CABLE	1	
9	(8G9-77712-00-00)	PANEL, INSTRUMENT	1	
10	95380-05600-00	NUT	6	
11	92901-05600-00	WASHER, PLATE	6	
12	92990-05100-00	WASHER, SPRING	6	
13	8A5-77108-30-00	LOUVER 6	1	
14	90183-05003-00	NUT, SPRING	2	
15	838-77143-00-00	EMBLEM 3	2	

Property of [www.SmallEngineDiscount.com](http://www.SmallEngineDiscount.com) - Not for Resale

# BUMPER



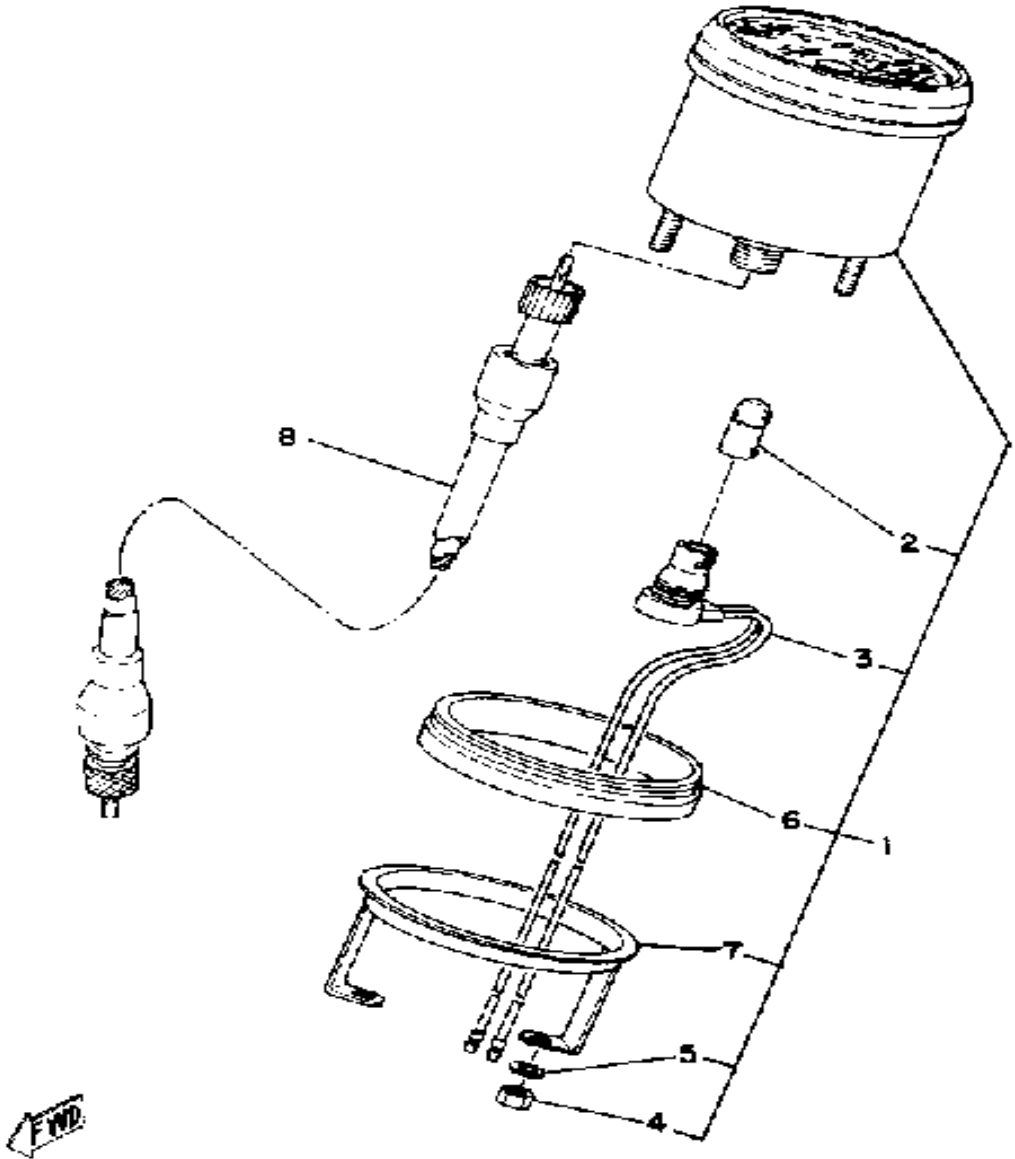
Ref. No.	Part Number	Description	Qty	Remarks
1	(8A7-77510-00-00)	FRONT BUMPER .....	1	
2	95333-08600-00	NUT .....	2	
3	92990-08100-00	WASHER .....	2	
4	92901-08600-00	WASHER .....	2	
5	97001-08025-00	BOLT (1NV) .....	2	
6	90201-08104-00	WASHER, PLATE .....	2	
7	92901-08600-00	WASHER .....	2	
8	95712-08300-00	NUT, LOCK .....	2	
9	8L8-77541-00-00	BUMPER, REAR 1 .....	1	
10	97313-08020-00	BOLT, HEXAGON .....	2	
11	92901-08600-00	WASHER .....	2	
12	95712-08300-00	NUT, LOCK .....	2	

Property of [www.SmallEngineDiscount.com](http://www.SmallEngineDiscount.com) - Not for Resale



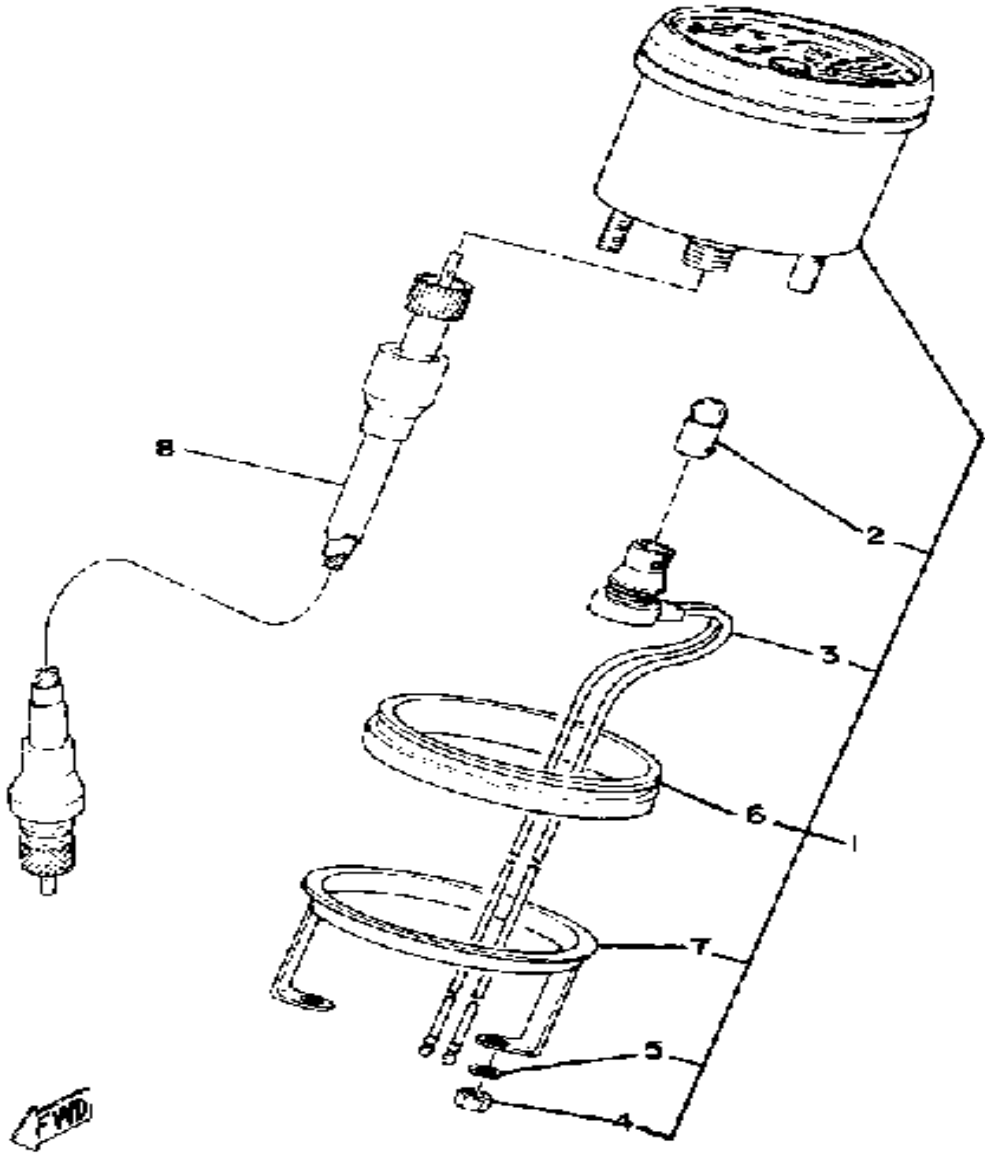
# METER

Ref. No.	Part Number	Description	Qty	Remarks
1	8G9-83510-20-00	SPEEDOMETER ASSEMBLY ..	1	MILE/H-KM/H
2	123-83516-21-00	. BULB (12V-3.4W) .....	1	
3	(861-83536-40-00)	SOCKET, METER .....	1	
4	95380-05600-00	. NUT .....	2	
5	92990-05100-00	. WASHER, SPRING .....	2	
6	8G6-83523-00-00	. DAMPER .....	1	
7	8G6-83519-00-00	. BRACKET, METER .....	1	
8	813-83550-01-00	SPEEDOMETER CABLEASS"Y	1	



Property of [www.SmallEngineDiscount.com](http://www.SmallEngineDiscount.com) - Not for Resale

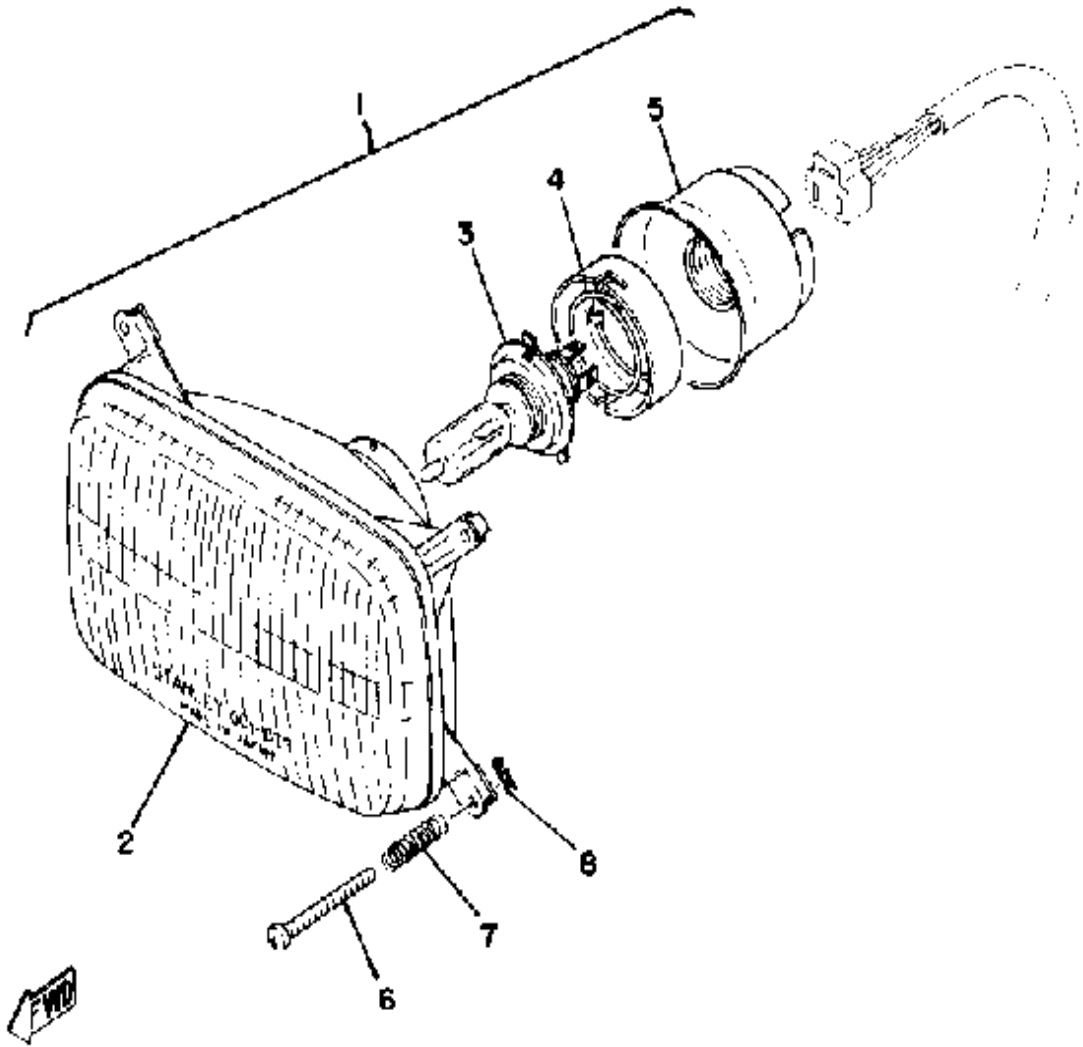
# TACHOMETER



Ref. No.	Part Number	Description	Qty	Remarks
1	8G9-83540-00-00	TACHOMETER ASSEMBLY ...	1	
2	123-83516-21-00	. BULB (12V-3.4W) .....	1	
3	(861-83536-40-00)	SOCKET, METER .....	1	
4	95380-05600-00	. NUT .....	2	
5	92990-05100-00	. WASHER, SPRING .....	2	
6	8G6-83523-00-00	. DAMPER .....	1	
7	8G6-83519-00-00	. BRACKET, METER .....	1	
8	839-83550-01-00	SPEEDOMETER CABLE .....	1	

Property of [www.SmallEngineDiscount.com](http://www.SmallEngineDiscount.com) - Not for Resale

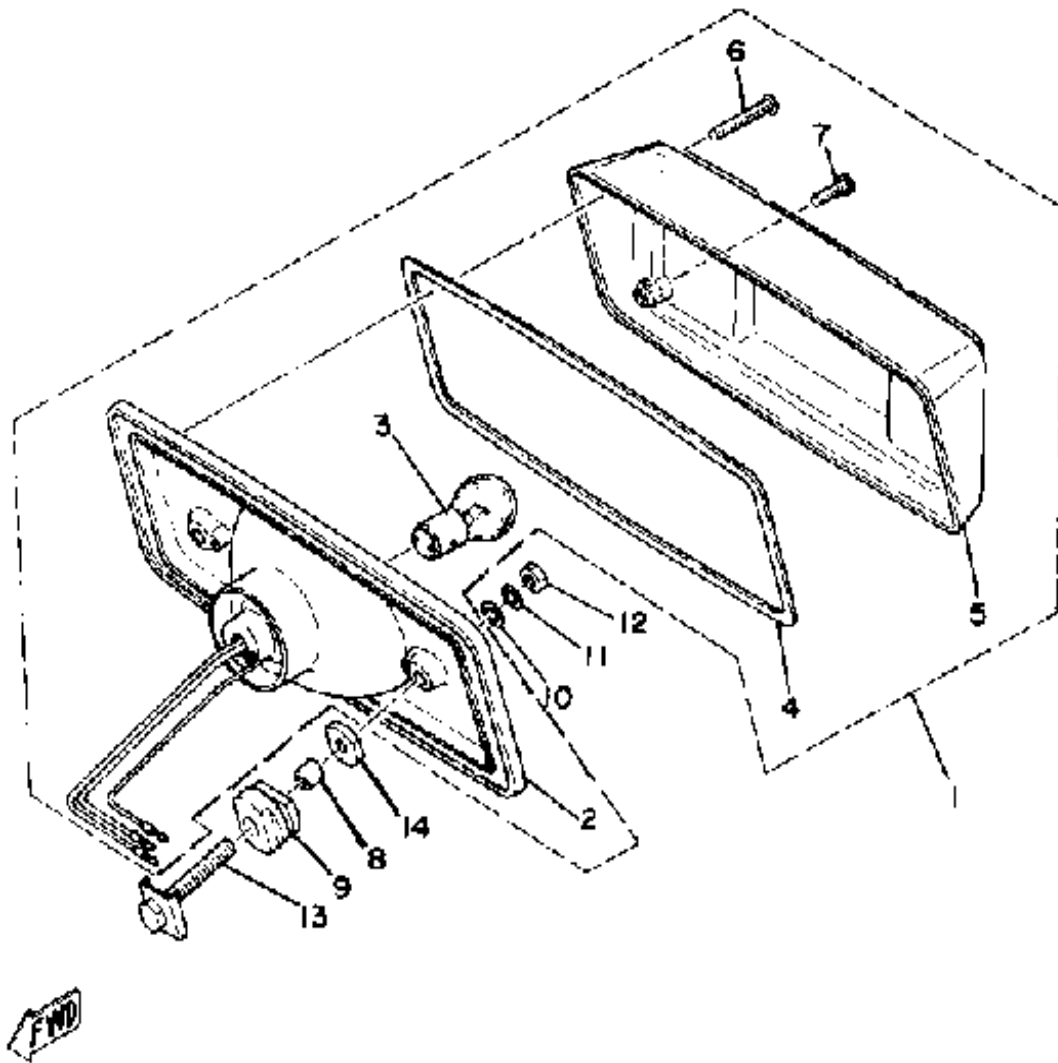
# HEAD LIGHT



Ref. No.	Part Number	Description	Qty	Remarks
1	8M6-84310-00-00	HEADLIGHT UNIT ASSEMBLY .	1	
2	8A7-84320-00-00	. LENS ASSEMBLY . . . . .	1	
3	5V2-84314-00-XX	. BULB, HL 12V60/55W (2F9-84314-00) . . . . .	1	
4	8A7-84312-00-00	. HOLDER, SOCKET . . . . .	1	
5	8A7-84397-01-00	. COVER, SOCKET . . . . .	1	
6	8M6-84331-00-00	. SCREW, RIM ADJUSTING (8A5-84331-00-00) . . . . .	4	
7	8A5-84332-00-00	. SPRING, SCREW . . . . .	4	
8	8K4-84374-00-00	. CLIP . . . . .	4	

Property of [www.SmallEngineDiscount.com](http://www.SmallEngineDiscount.com) - Not for Resale

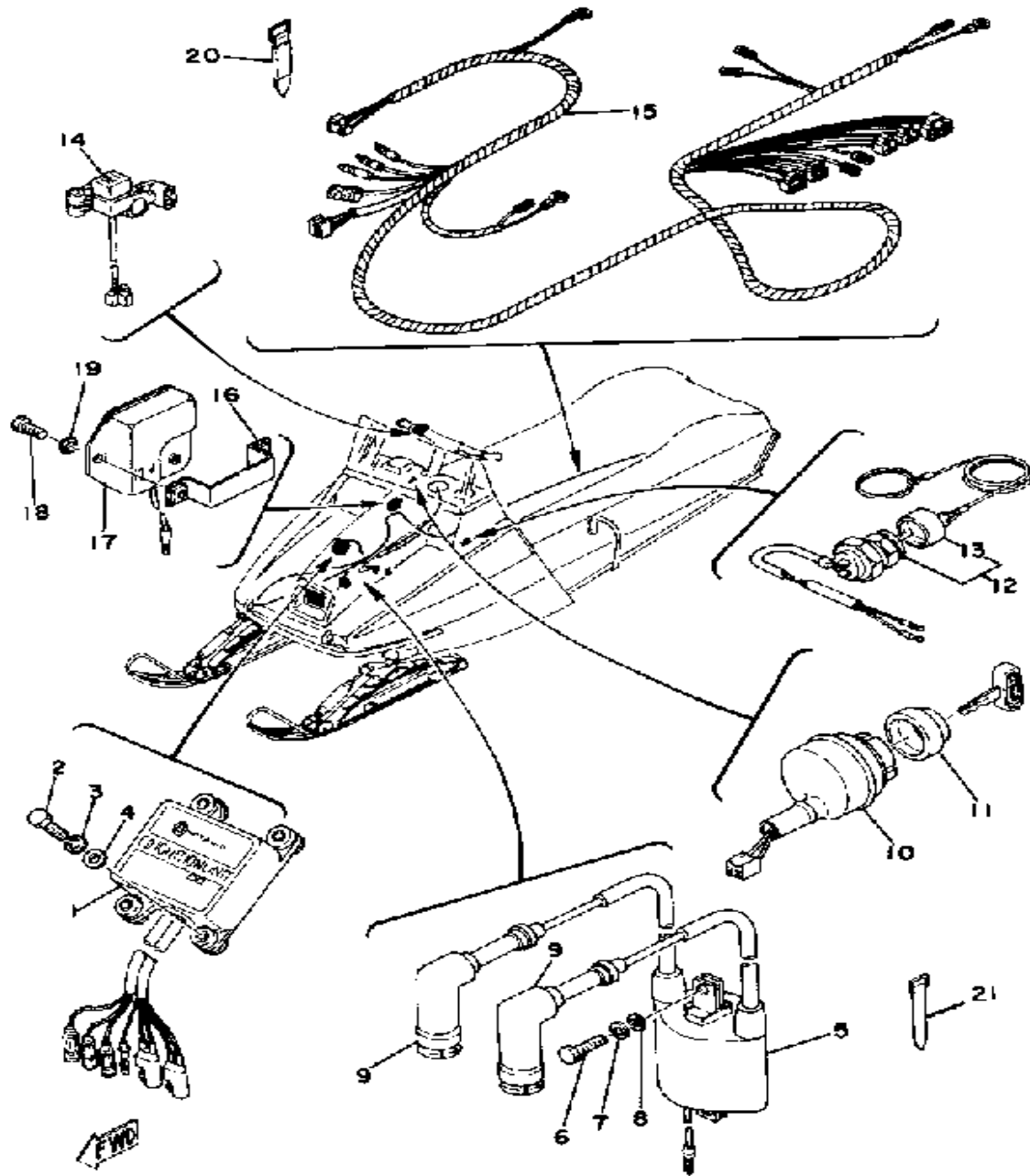
# TAILLIGHT



Ref. No.	Part Number	Description	Qty	Remarks
1	8A1-84710-00-00	TAILLIGHT UNIT ASSEMBLY ..	1	
2	8A1-84710-00-00	. TAILLIGHT UNIT ASSEMBLY .	1	
3	137-84714-61-00	. BULB, TL 12V23/8W (J50-83311-00) .....	1	
4	821-84712-00-00	. SEAT, BASE .....	1	
5	821-84721-00-00	. LENS, TAILLIGHT .....	1	
6	98511-04030-00	. SCREW, PAN HEAD .....	2	
7	98503-04014-00	. SCREW, PAN HEAD .....	2	
8	90387-074W0-00	COLLAR .....	2	
9	90480-10187-00	GROMMET .....	2	
10	90201-061A5-00	WASHER, PLATE .....	2	
11	92995-06100-00	WASHER, SPRING .....	2	
12	95380-06600-00	NUT .....	2	
13	90109-06428-00	BOLT .....	2	
14	90179-06209-00	NUT, SPEC'L SHAPE .....	2	

Property of [www.SmallEngineDiscount.com](http://www.SmallEngineDiscount.com) - Not for Resale

# ELECTRICAL



Ref. No.	Part Number	Description	Qty	Remarks
1	8G9-85540-10-00	CDI UNIT ASSEMBLY	1	
2	97301-05025-00	BOLT, HEXAGON (97201-05025)	4	
3	92990-05100-00	WASHER, SPRING	4	
4	92901-05600-00	WASHER, PLATE	4	
5	8G9-82310-11-00	IGNITION COIL ASSEMBLY	1	
6	97011-06020-00	BOLT	2	
7	92995-06100-00	WASHER, SPRING	2	
8	90201-061A5-00	WASHER, PLATE	2	
9	8E7-82370-11-00	PLUG CAP ASSEMBLY	2	
10	8F3-82508-20-00	MAIN SWITCH ASSEMBLY	1	
11	806-82516-00-00	COLLAR, MAIN SWITCH	1	
12	8H8-82550-01-00	ENGINE STOP SWITCH ASSEMBLY	1	
13	8H8-82552-09-00	. CAP, SWITCH	1	
14	8E7-83976-01-00	SWITCH, HANDLE 1 (8E7-83976-00)	1	
15	(8G9-82590-20-00)	WIRE HARNESS ASSEMBLY	1	
16	8G6-81915-00-00	PLATE, REG FITTING	1	
17	82F-81910-A0-00	VOLTAGE REGULATOR ASSEMBLY	1	
18	97313-06016-00	BOLT, HEXAGON	2	
19	92901-06400-00	WASHER, EX.TOOTH	2	
20	437-83936-01-00	BAND, SWITCH CORD	3	
21	341-26397-01-00	BAND	4	

Property of [www.SmallEngineDiscount.com](http://www.SmallEngineDiscount.com) - Not for Resale

# SRX440B 1978 SERVICE DATA

SNOWMOBILE  
S7-008

MODEL – IBM I.D. NUMBER	SRX440B – 8G9
Starting Engine and Frame Number	RT439-000101 / 8G9-000101
<b>ENGINE</b> (type) (induction system)	2-stroke, twin, liquid cooled, 5-port, piston port
Bore x Stroke x Cylinders Displacement	68.5mm x 59.6mm x 2 / 439cc
Compression Ratio/Compression Pressure	7.7:1 / NA
Piston Skirt Clearance (new/max)	.060 ~ .075mm / 0.1mm
Ring End Gap (top/2nd)	0.35 ~ 0.55mm / same
Ring Groove Clearance (top/2nd)	.03 ~ .07mm / same
<b>CARBURETOR</b> (mfr) (type) (I.D. number)	Mikuni / VM36 / 8G9-00L (left) 8G9-00R (right)
Quantity/Venturi size (measured) (effective)	2 / 37mm / 36mm
Fuel Inlet Valve (size)/Float Level	1.5 / 18 ± 1mm
Jet Needle/Needle Jet/Cut Away	6DH13-3 / 0-2 / 2.0
Main Jet/Slow Jet/Air Screw (turns out)	310 / 30 / NA
Idle Speed	1500 rpm
<b>AUTOLUBE</b> – Pump Color/Control Rod Adj.	φ / φ
Pump Plunger Stroke (min) (max)	φ
Output @ 200 strokes (full throttle/idle)	φ
<b>DRIVE</b> (type)	V-belt Automatic
Primary Sheave Engagement RPM	3500 ~ 3900
Belt Length/Width/Wear Limit/IBM number	1099mm / 31.5mm / 26mm / 8F2
Primary Ratio(s)	3.5:1 ~ 1:1
Sheave Center to Center/Offset	270 ± 2mm / 5.5mm
Primary Spring Color/Length/Rate	Red-White / 72.5mm / 2.22 kg-mm
Secondary Spring Pre-load/Part Number / Color	90° / 90508-45286- / Yellow
Secondary Drive Ratio/Chain Pitch-type/Freeplay	29-18 / No. 35 - triplex / 10mm
Track (width)/Tension	380mm / 25mm @ 10 kg
<b>SLIDE SUSPENSION</b> – Stopper Band/Rear Spring	φ / Middle Position
<b>CAPACITIES</b> – Chain Case (quantity) (type)	320cc / SAE75-80, API, GL-3
Fuel Tank (quantity) (grade)	7.4 gal. Pre-mix Premium Gasoline
Autolube Tank (quantity) (type)	φ (16:1 Yamalube 2 or 20:1 Yamalube R)
Torque Converter (quantity) (type)	φ
<b>ELECTRICAL</b> – Charging System (mfr) (type)	Hitachi CDI
Lighting Output at Full Load	12V-100W
Headlight/Tailight/Instrument Ratings	Halogen 12V 60-55W / 12V23-8W
Lighting Coil Resistance	Yel-Blk / 0.22Ω ± 10%
Stoplight Coil Resistance	φ
Ignition Source Coil Resistance (charge coil)	Brn-Red / 170Ω ± 10%
Pulser Coil Resistance	Red-Wht / 10Ω ± 10%
Coil Resistance (primary) (secondary)	0.15Ω ± 10% / 3.6KΩ ± 20%
Breaker Point Gap	φ
Spark Plug Type/Heat Range/Gap	NGK B9EV / 0.5 ~ 0.6mm
Timing (B.T.D.C.)*	1.4 ± 0.1mm BTDC

N/A = Information Not Available  
φ = Does Not Apply To This Model

\*After setting statically, check with timing light.

M-12

# SRX440B 1978 SERVICE DATA

SNOWMOBILE  
S7-008

MODEL – IBM I.D. NUMBER	SRX440B – 8G9
Starting Engine and Frame Number	RT439-000101 / 8G9-000101
<b>ENGINE</b> (type) (induction system)	2-stroke, twin, liquid cooled, 5-port, piston port
Bore x Stroke x Cylinders Displacement	68.5mm x 59.6mm x 2 / 439cc
Compression Ratio/Compression Pressure	7.7:1 / NA
Piston Skirt Clearance (new/max)	.060 ~ .075mm / 0.1mm
Ring End Gap (top/2nd)	0.35 ~ 0.55mm / same
Ring Groove Clearance (top/2nd)	.03 ~ .07mm / same
<b>CARBURETOR</b> (mfr) (type) (I.D. number)	Mikuni / VM36 / 8G9-00L (left) 8G9-00R (right)
Quantity/Venturi size (measured) (effective)	2 / 37mm / 36mm
Fuel Inlet Valve (size)/Float Level	1.5 / 18 ± 1mm
Jet Needle/Needle Jet/Cut Away	6DH13-3 / 0-2 / 2.0
Main Jet/Slow Jet/Air Screw (turns out)	310 / 30 / NA
Idle Speed	1500 rpm
<b>AUTOLUBE</b> – Pump Color/Control Rod Adj.	φ / φ
Pump Plunger Stroke (min) (max)	φ
Output @ 200 strokes (full throttle/idle)	φ
<b>DRIVE</b> (type)	V-belt Automatic
Primary Sheave Engagement RPM	3500 ~ 3900
Belt Length/Width/Wear Limit/IBM number	1099mm / 31.5mm / 26mm / 8F2
Primary Ratio(s)	3.5:1 ~ 1:1
Sheave Center to Center/Offset	270 ± 2mm / 5.5mm
Primary Spring Color/Length/Rate	Red-White / 72.5mm / 2.22 kg-mm
Secondary Spring Pre-load/Part Number / Color	90° / 90508-45286- / Yellow
Secondary Drive Ratio/Chain Pitch-type/Freeplay	29-18 / No. 35 - triplex / 10mm
Track (width)/Tension	380mm / 25mm @ 10 kg
<b>SLIDE SUSPENSION</b> – Stopper Band/Rear Spring	φ / Middle Position
<b>CAPACITIES</b> – Chain Case (quantity) (type)	320cc / SAE75-80, API, GL-3
Fuel Tank (quantity) (grade)	7.4 gal. Pre-mix Premium Gasoline
Autolube Tank (quantity) (type)	φ (16:1 Yamalube 2 or 20:1 Yamalube R)
Torque Converter (quantity) (type)	φ
<b>ELECTRICAL</b> – Charging System (mfr) (type)	Hitachi CDI
Lighting Output at Full Load	12V-100W
Headlight/Tailight/Instrument Ratings	Halogen 12V 60-55W / 12V23-8W
Lighting Coil Resistance	Yel-Blk / 0.22Ω ± 10%
Stoplight Coil Resistance	φ
Ignition Source Coil Resistance (charge coil)	Brn-Red / 170Ω ± 10%
Pulser Coil Resistance	Red-Wht / 10Ω ± 10%
Coil Resistance (primary) (secondary)	0.15Ω ± 10% / 3.6KΩ ± 20%
Breaker Point Gap	φ
Spark Plug Type/Heat Range/Gap	NGK B9EV / 0.5 ~ 0.6mm
Timing (B.T.D.C.)*	1.4 ± 0.1mm BTDC

N/A = Information Not Available  
φ = Does Not Apply To This Model

\*After setting statically, check with timing light.

Property of www.SmallEngineDiscount.com - Not for Resale

K1