



**YAMAHA**

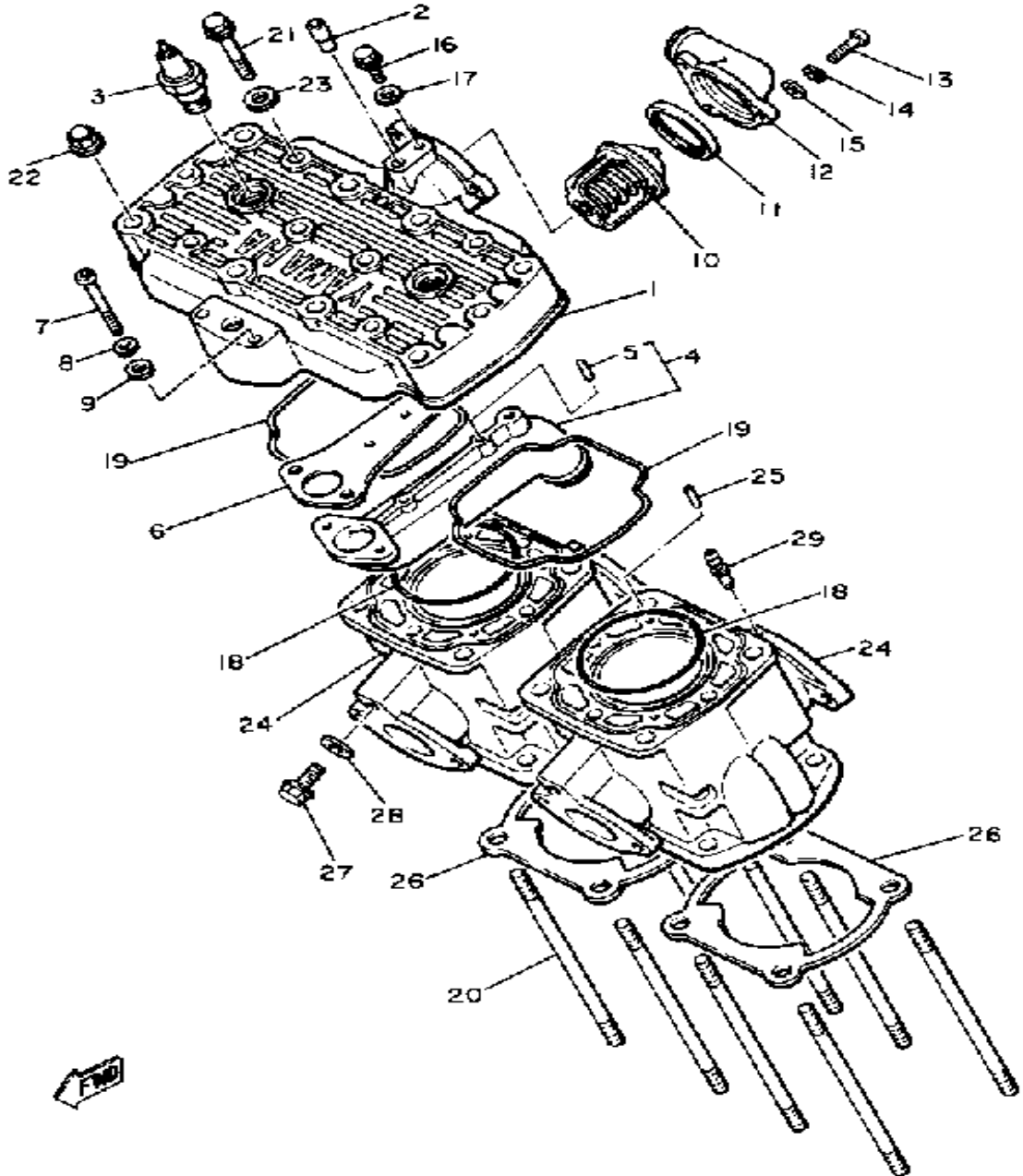
**GENUINE**

**PARTS CATALOGUE**

**SNOWMOBILE**

Property of [www.SmallEngineDiscount.com](http://www.SmallEngineDiscount.com) - Not for Resale

# CRANKCASE - CYLINDER

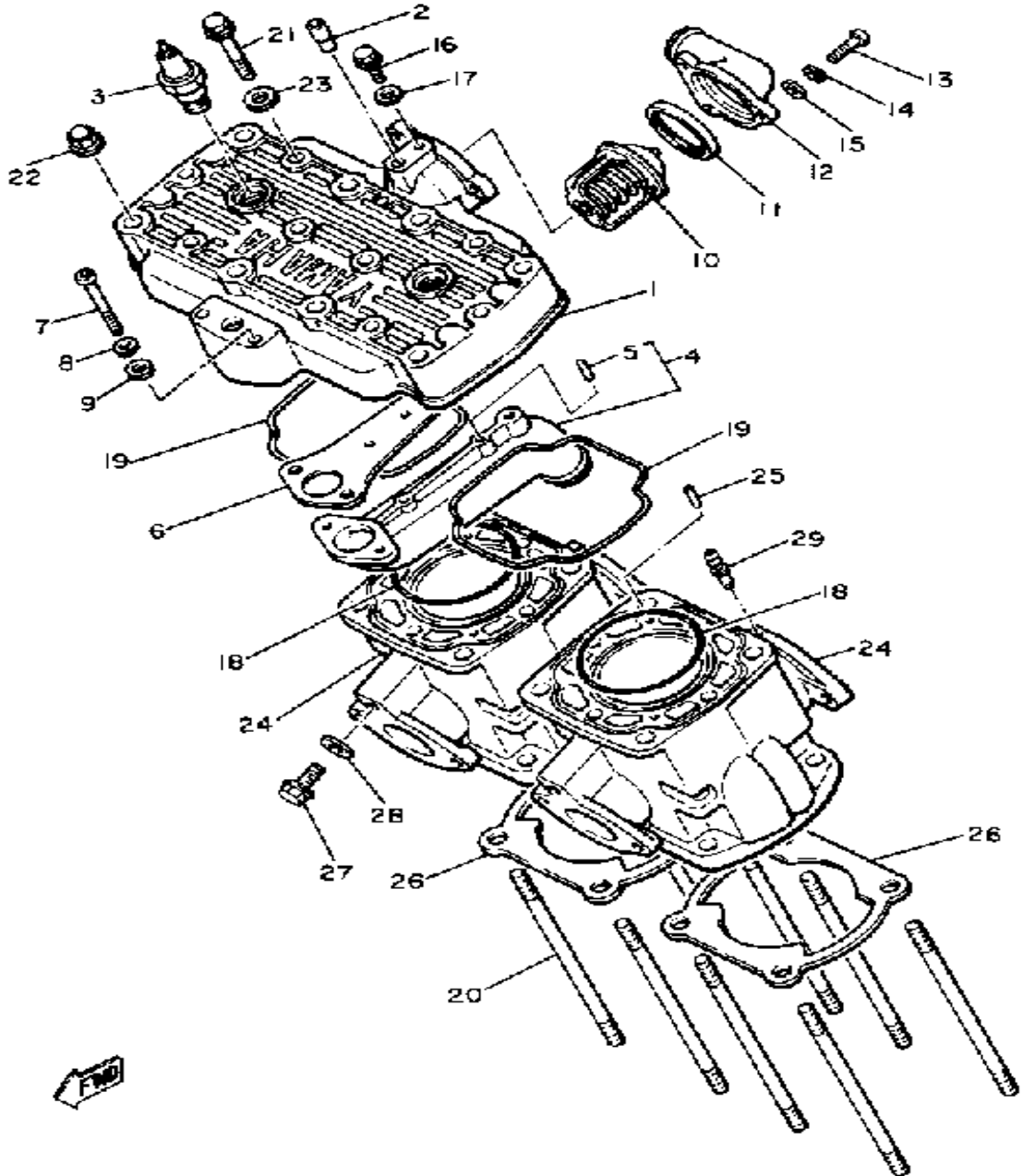


Ref. No.	Part Number	Description	Qty	Remarks
1	8M6-11111-00-00	HEAD, CYLINDER 1	1	
2	8A7-12463-00-00	PIPE, BREATHER	1	
3	NGK-BR9EV-00-00	NGK BR9EV 4PK (94701-00114)	2	
4	8M6-12498-01-00	PROTECTOR	1	
5	91609-30010-00	. PIN, SPRING	2	
6	8M6-12435-03-00	GASKET	1	
7	98580-06055-00	SCREW, pan head (92501-06065-00)	3	
8	92995-06100-00	WASHER, SPRING	3	
9	90201-061A5-00	WASHER, PLATE	3	
10	8G9-12411-03-00	THERMOSTAT	1	
11	8A7-12412-01-00	SEAL, THERMOSTAT	1	
12	8M6-12413-00-00	COVER, THERMOSTAT	1	
13	98580-06020-00	SCREW	3	
14	92995-06100-00	WASHER, SPRING	3	
15	90201-061A5-00	WASHER, PLATE	3	
16	95811-06012-00	BOLT, FLANGE	1	
17	90210-06006-00	WASHER, SEAL	1	
18	93210-74444-00	O-RING	2	
19	8M6-11181-00-00	GASKET, CYLINDER HEAD 1	2	
20	8M6-11361-00-00	BOLT, CYLINDER HOLDING 1	8	
21	95811-08055-00	BOLT, FLANGE	8	
22	90176-10049-00	NUT, CROWN	8	
23	90201-080L7-00	WASHER, PLATE	8	
24	8M6-11311-00-00	CYLINDER 1	2	
25	93604-07141-00	PIN, DOWEL	4	
26	8M6-11351-00-00	GASKET, CYLINDER	2	
27	95811-10016-00	BOLT, FLANGE (95801-10016)	2	
28	90201-11723-00	WASHER, PLATE	2	

CONTINUED ON NEXT FRAME ►

Property of [www.SmallEngineDiscount.com](http://www.SmallEngineDiscount.com) - Not for Resale

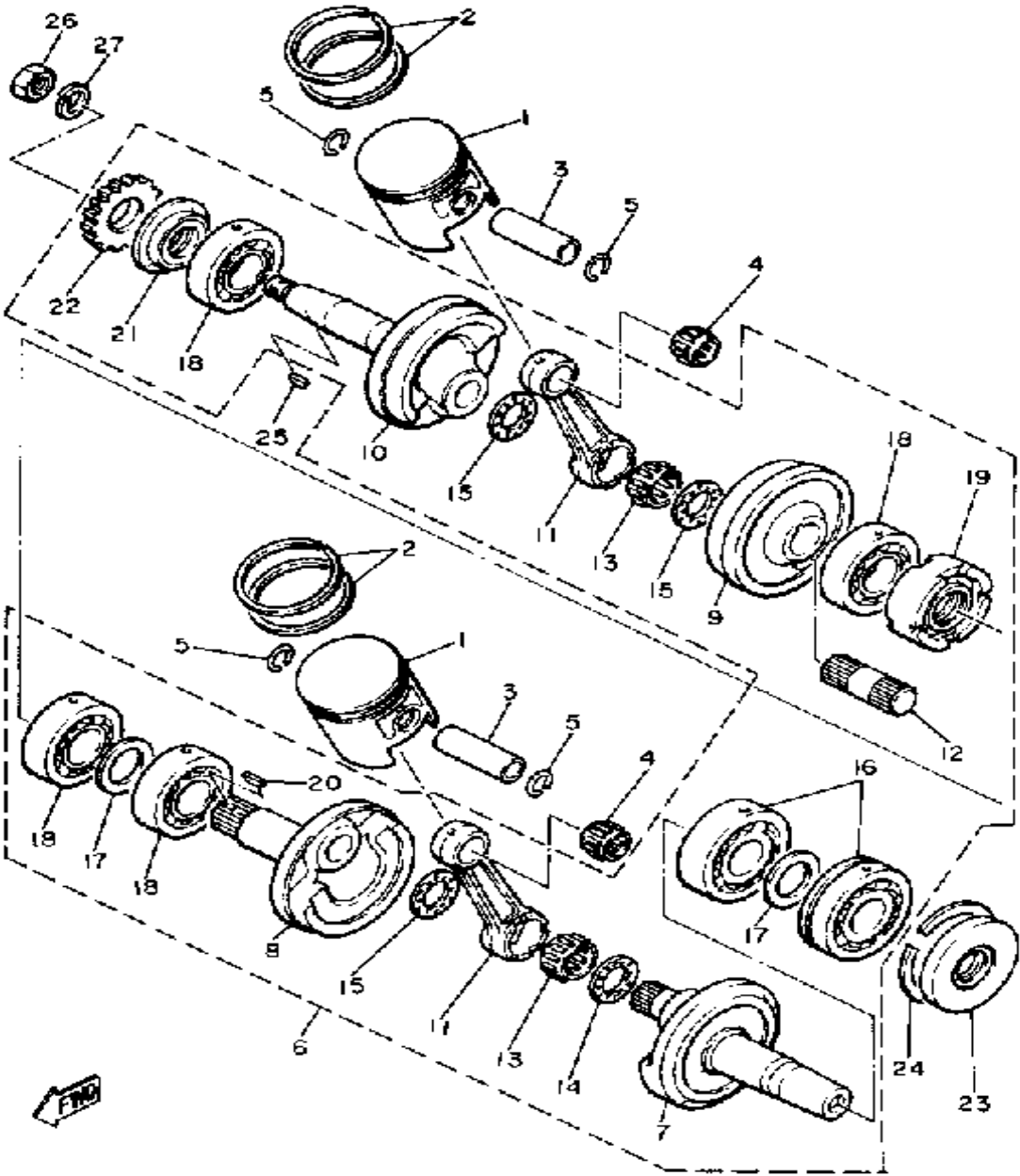
# CRANKCASE - CYLINDER



Ref. No.	Part Number	Description	Qty	Remarks
29	824-13552-00-00	NOZZLE .....	2	

Property of [www.SmallEngineDiscount.com](http://www.SmallEngineDiscount.com) - Not for Resale

# CRANKSHAFT - PISTON

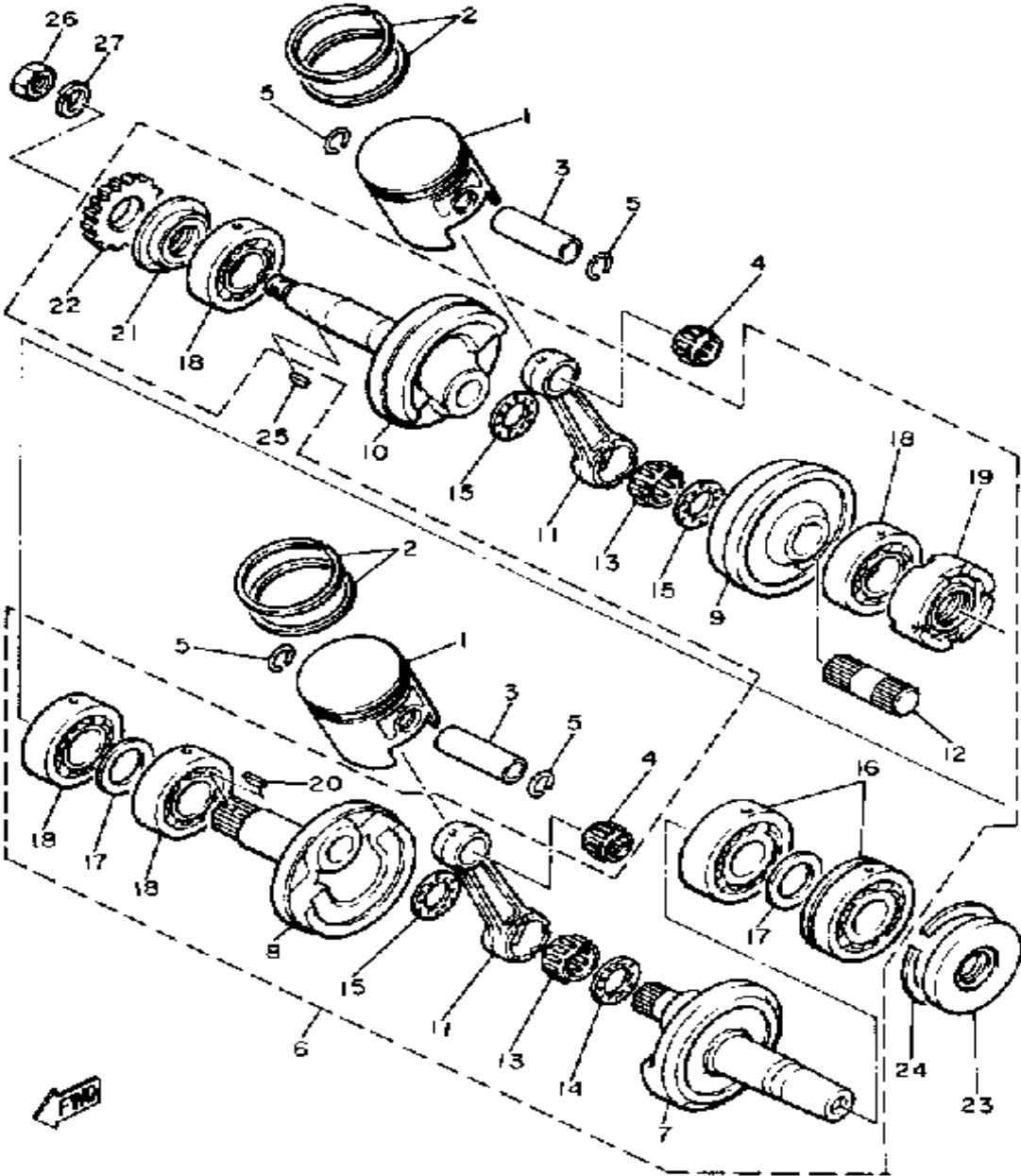


Ref. No.	Part Number	Description	Qty	Remarks
1	8M6-11631-00-93	PISTON STD (STD)	2	
2	8M6-11611-00-00	RING, PISTON STD	2	
3	8J0-11633-00-00	PIN, PISTON	2	
4	93310-320G0-00	BEARING	2	
5	93450-21053-00	CIRCLIP	4	
6	8M6-11400-02-00	CRANKSHAFT ASSEMBLY (8M6-11400-00)	1	
7	(8M6-11412-02-00)	CRANK 1	1	
	8M6-11412-00-00	. CRANK 1	1	
8	8H8-11422-01-00	. CRANK 2	1	
	8M6-11422-00-00	. CRANK 2	1	
9	(8M6-11432-00-00)	CRANK 3	1	
	8H8-11432-01-00	. CRANK 3	1	
10	(8M6-11442-00-00)	CRANK 4	1	
	(8M6-11442-01-00)	CRANK 4	1	
11	(8M6-11651-02-00)	ROD, CONNECTING	2	
	8H0-11651-00-00	. ROD, CONNECTING	2	
12	8H0-11681-00-00	. PIN, CRANK 1	1	
	8R9-11681-00-00	. PIN, CRANK 1	1	
13	93310-524K4-00	. BEARING	2	
	93310-525K6-00	. BEARING, CYLINDRICAL	2	
14	8A7-11685-00-00	. WASHER, CRANK PIN	1	
	8R9-11685-00-00	. WASHER, CRANK PIN	1	
15	90209-24073-00	. WASHER	3	
	90209-25085-00	. WASHER	3	
16	8H0-11415-01-00	. BEARING ASSEMBLY 1	1	
17	90201-34683-00	. WASHER, PLATE (90201-33299-00)	2	
18	93306-20633-00	. BEARING	4	

CONTINUED ON NEXT FRAME ►

Property of [www.SmallEngineDiscount.com](http://www.SmallEngineDiscount.com) - Not for Resale

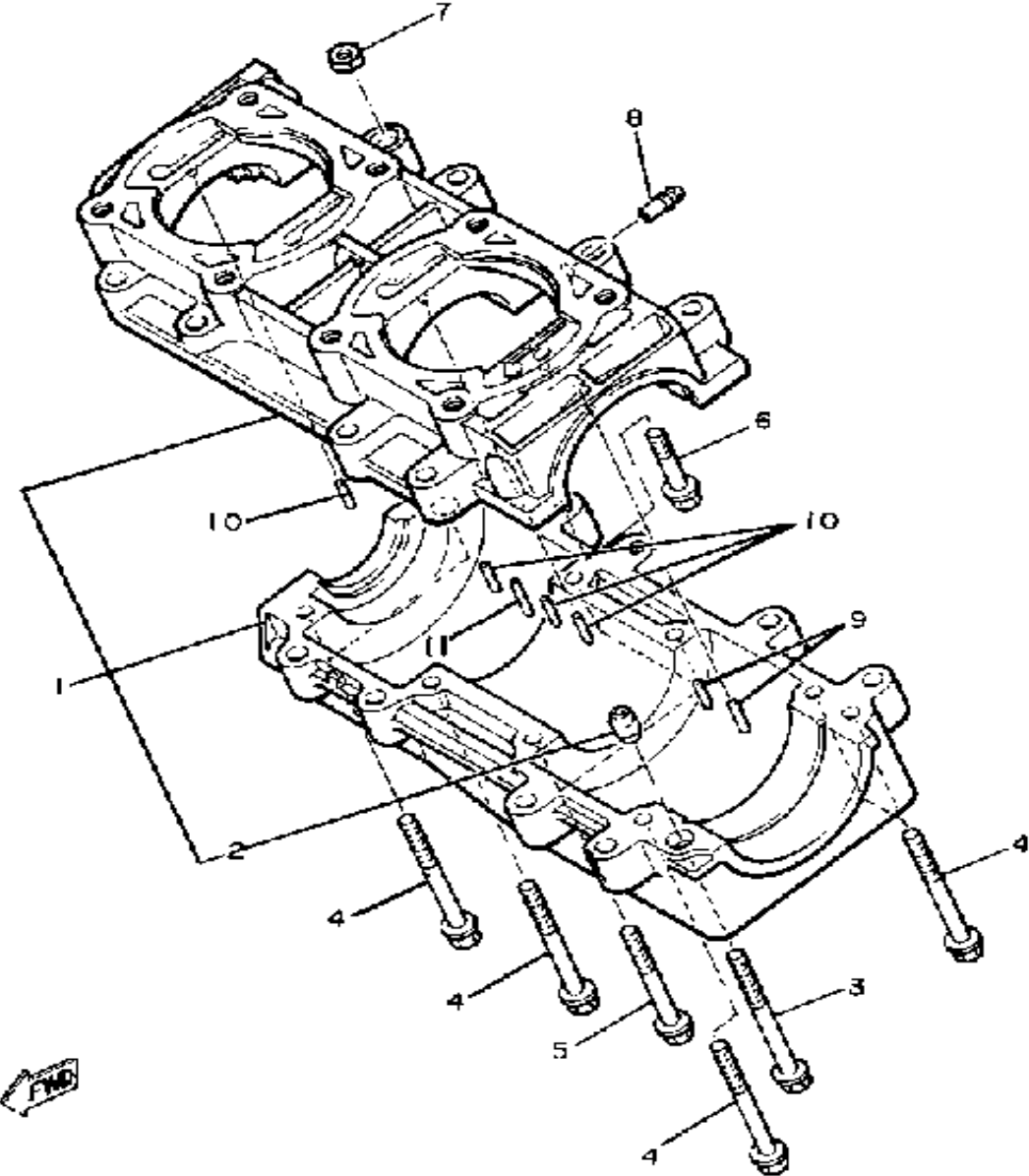
# CRANKSHAFT - PISTON



Ref. No.	Part Number	Description	Qty	Remarks
19	8M6-11515-00-00	. SEAL, LABYRINTH 1	1	
20	90280-05014-00	. KEY, WOODRUFF	1	
21	93103-32116-00	. OIL SEAL, SW-TYPE	1	
22	(8M6-13178-00-00)	GEAR, PUMP DRIVE	1	
23	93103-32095-00	OIL SEAL	1	
24	93440-78011-00	CIRCLIP, OUTER	1	
25	90280-05014-00	KEY, WOODRUFF	1	
26	90170-16182-00	NUT	1	
27	92901-16100-00	WASHER, SPRING	1	

Property of [www.SmallEngineDiscount.com](http://www.SmallEngineDiscount.com) - Not for Resale

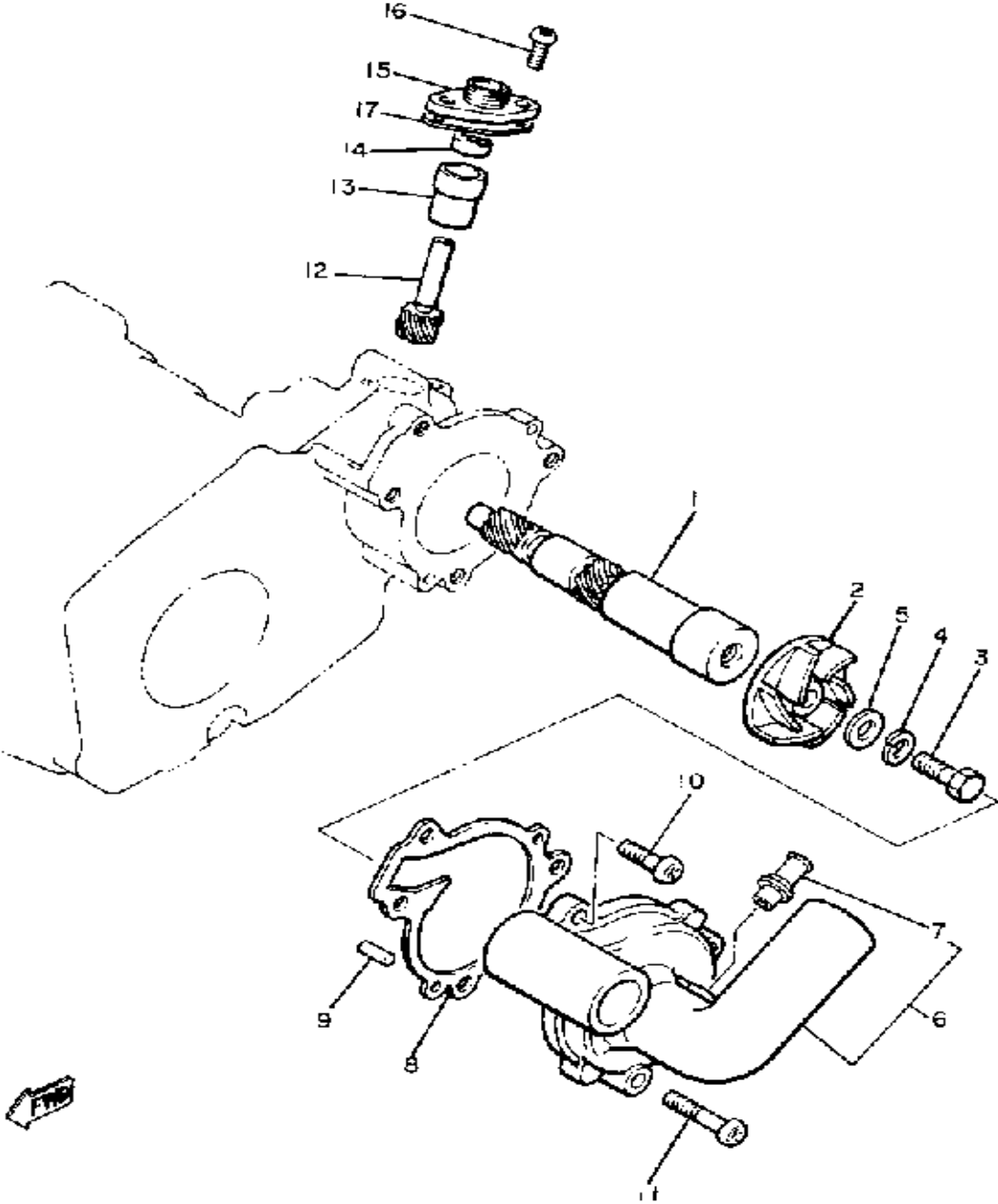
# CRANKCASE



Ref. No.	Part Number	Description	Qty	Remarks
1	(8M6-15100-00-00)	CRANKCASE ASSEMBLY	1	
2	99510-12016-00	. PIN, DOWEL	2	
3	95811-08095-00	BOLT, FLANGE	1	
4	95811-08085-00	BOLT, FLANGE	6	
5	95811-08075-00	BOLT, FLANGE	3	
6	95811-08050-00	BOLT, FLANGE (95812-08050)	1	
7	95333-08600-00	NUT	1	
8	J38-11116-00-00	JOINT, BREATHER	1	
9	93604-07141-00	PIN, DOWEL	2	
10	93604-12037-00	PIN, DOWEL	4	
11	93604-16092-00	PIN, DOWEL	1	

Property of [www.SmallEngineDiscount.com](http://www.SmallEngineDiscount.com) - Not for Resale

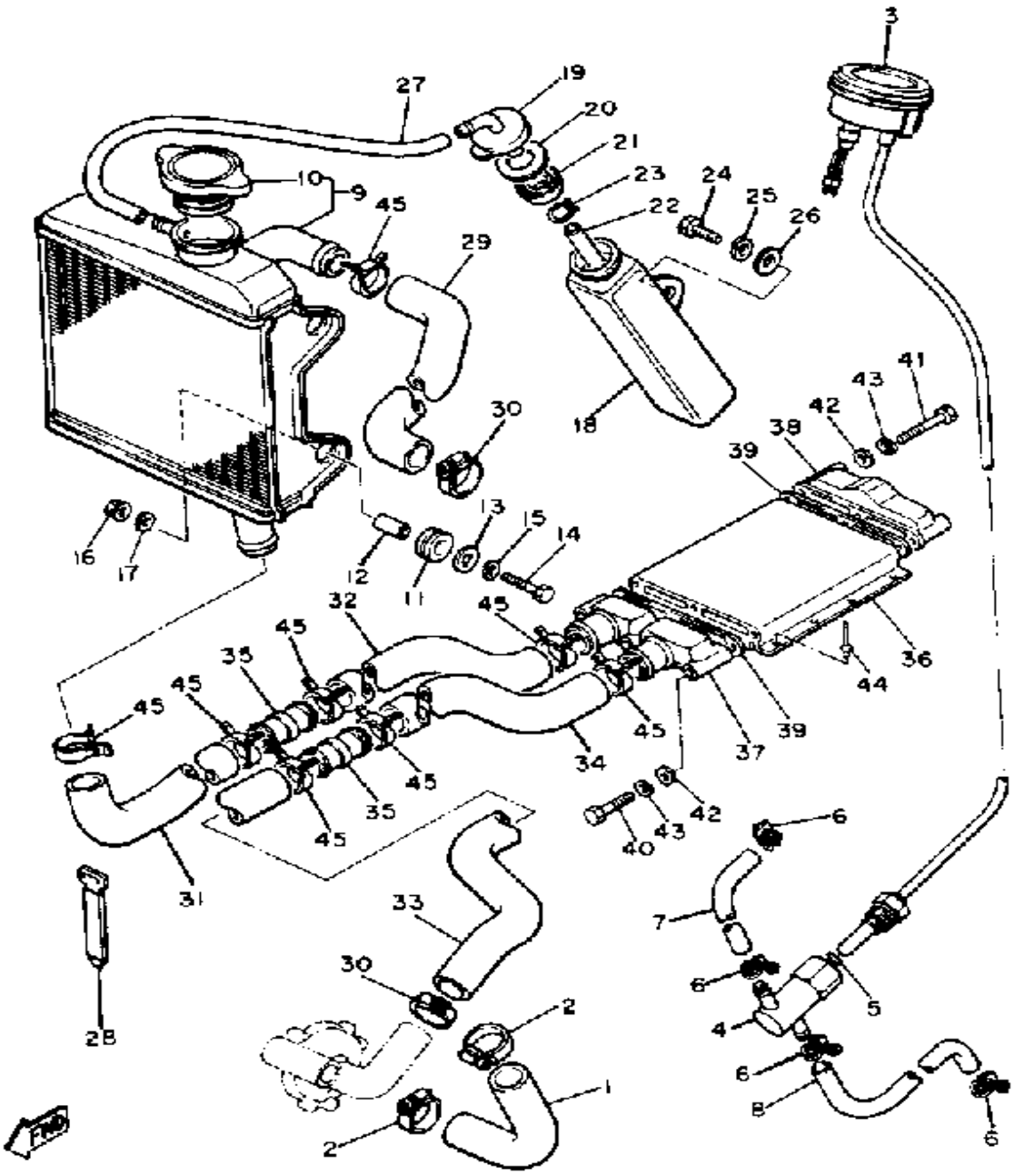
# WATER PUMP



Ref. No.	Part Number	Description	Qty	Remarks
1	8M6-12458-01-00	SHAFT, IMPELLER (8M6-12458-00)	1	
2	8A7-12451-00-00	IMPELLER, WATER PMP	1	
3	97395-08025-00	BOLT, HEXAGON	1	
4	92990-08100-00	WASHER	1	
5	92901-08600-00	WASHER	1	
6	8M6-W1241-00-00	COVER, HOUSING	1	
7	8A7-12499-00-00	. JOINT	1	
8	8M6-12427-01-00	GASKET, HOUSING CVR	1	
9	93604-10011-00	PIN, DOWEL	2	
10	98503-06014-00	SCREW, PAN HEAD (92502-06016)	2	
11	98580-06030-00	SCREW PAN HEAD	2	
12	8M6-17841-00-00	GEAR, DRIVEN	1	
13	8A7-17843-00-00	BUSH, DRVN GR OUTER	1	
14	93104-06033-00	OIL SEAL	1	
15	821-17819-00-00	CAP, HOUSING	1	
16	98580-05010-00	SCREW, PAN HEAD	2	
17	821-17818-02-00	GASKET	1	

Property of [www.SmallEngineDiscount.com](http://www.SmallEngineDiscount.com) - Not for Resale

# RADIATOR - HOSE



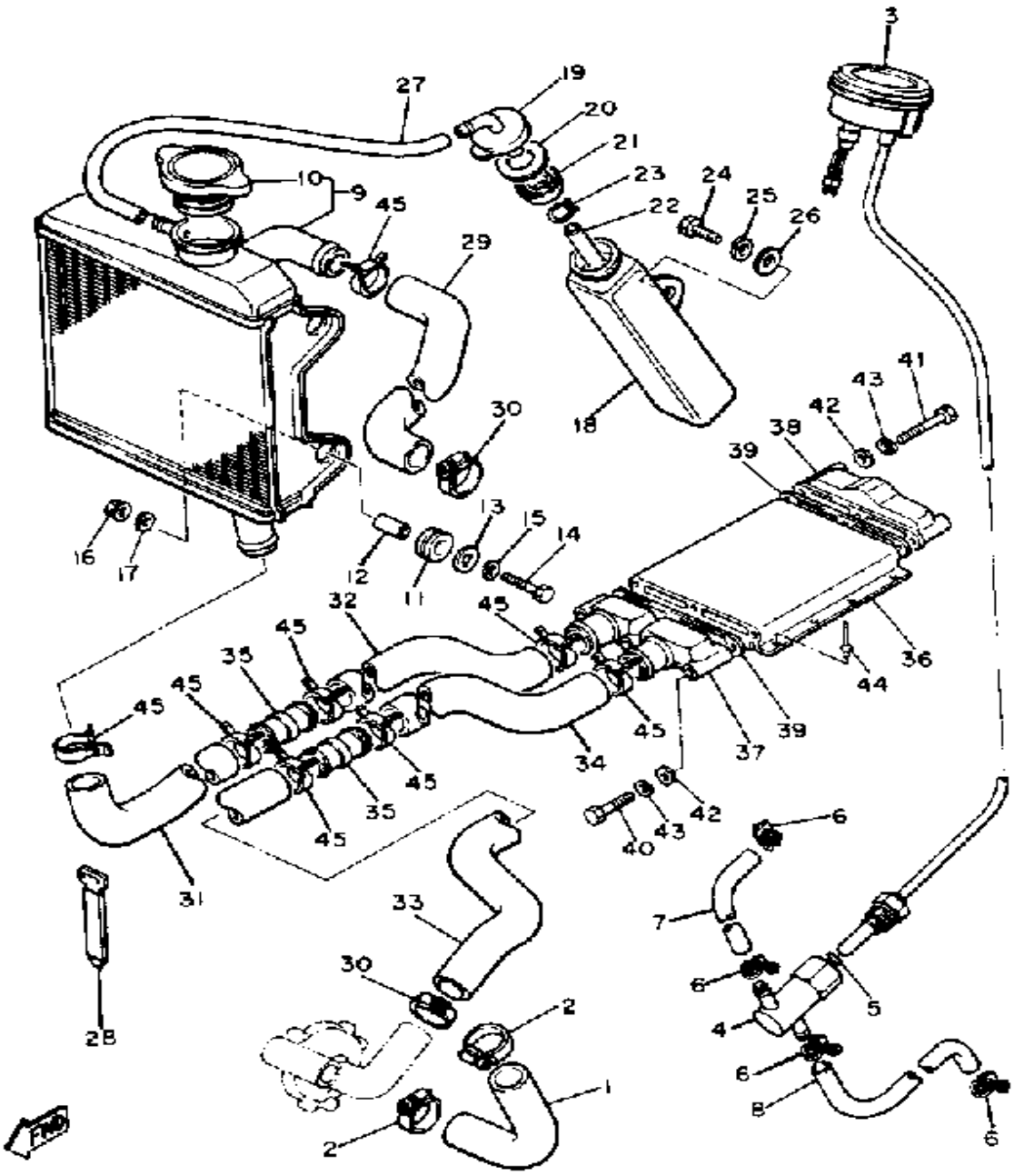
Ref. No.	Part Number	Description	Qty	Remarks
1	8M6-12481-01-00	PIPE 1 .....	1	
2	90460-38292-00	CLAMP, HOSE .....	2	
3	8X6-83590-00-00	WATER TEMP METER .....	1	
4	8A7-12446-01-00	JOINT .....	1	
5	93210-10118-00	O-RING .....	1	
6	90460-11149-00	CLAMP, HOSE .....	4	
7	84M-1243E-00-00	HOSE, 2 .....	1	
8	8J0-12484-00-00	PIPE 4 (7-145) .....	1	
9	8M6-12460-00-00	RADIATOR ASSEMBLY .....	1	
10	11H-12462-00-00	. CAP, RADIATOR .....	1	
11	90480-20131-00	GROMMET .....	4	
12	90387-06518-00	COLLAR .....	4	
13	90201-06067-00	WASHER, PLATE .....	4	
14	97021-06030-00	BOLT .....	4	
15	92995-06100-00	WASHER, SPRING .....	4	
16	95701-06300-00	NUT, NYLON .....	4	
17	92990-06200-00	WASHER .....	4	
18	8A2-21871-00-00	TANK, RECOVERY .....	1	
19	8A2-21875-00-00	CAP .....	1	
20	8A2-16716-00-00	GASKET, CAP .....	1	
21	8A2-21872-00-00	STOPPER .....	1	
22	90445-11293-00	HOSE .....	1	
23	90467-10008-00	CLIP .....	1	
24	97313-06016-00	BOLT, HEXAGON .....	1	
25	92995-06100-00	WASHER, SPRING .....	1	
26	90201-06067-00	WASHER, PLATE .....	1	
27	90445-11152-00	HOSE .....	1	
28	341-26397-01-00	BAND .....	1	
29	(8M6-12482-00-00)	PIPE 2 .....	1	

CONTINUED ON NEXT FRAME ➤

Property of [www.SmallEngineDiscount.com](http://www.SmallEngineDiscount.com) - Not for Resale



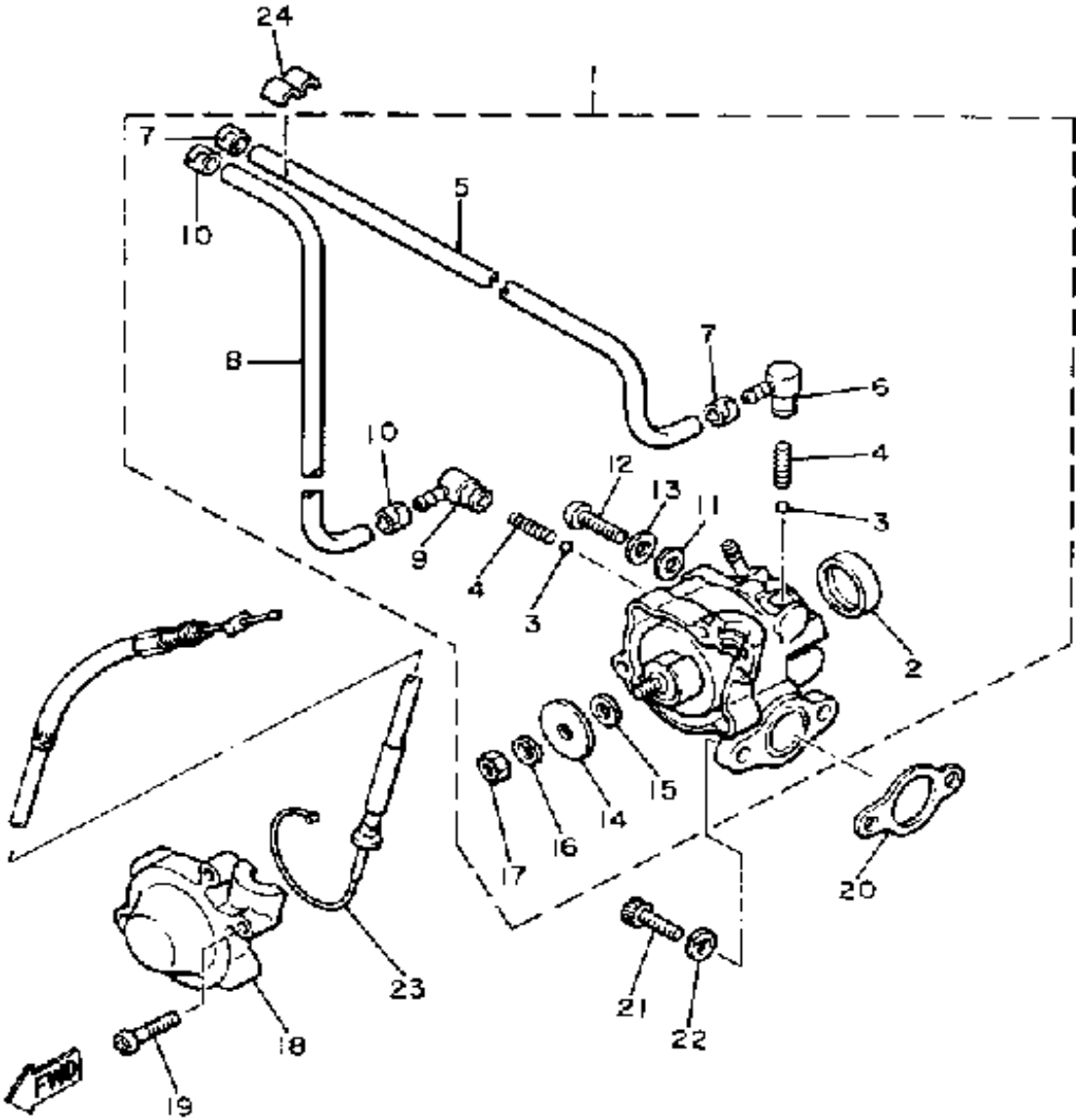
# RADIATOR - HOSE



Ref. No.	Part Number	Description	Qty	Remarks
30	90460-38292-00	CLAMP, HOSE .....	2	
31	8M6-12483-00-00	PIPE 3 .....	1	
32	8M6-12484-00-00	PIPE 4 .....	1	
33	8M6-12485-00-00	PIPE 5 .....	1	
34	(8M6-12476-00-00)	PIPE 6 .....	1	
35	8M6-12581-00-00	JOINT, HOSE 1 .....	2	
36	8H0-12466-00-00	EXCHANGER, HEAT .....	1	
37	8G9-12469-00-00	JOINT 1 .....	1	
38	8G9-12479-00-00	JOINT .....	1	
39	8G9-12474-00-00	GASKET 1 .....	2	
40	(97321-05045-00)	BOLT, HEXAGON .....	3	
41	(97301-05050-00)	BOLT, HEXAGON .....	3	
42	92901-05600-00	WASHER, PLATE .....	6	
43	92990-05100-00	WASHER, SPRING .....	6	
44	90267-48053-00	RIVET, BLIND .....	8	
45	90467-28046-00	CLIP .....	8	

Property of [www.SmallEngineDiscount.com](http://www.SmallEngineDiscount.com) - Not for Resale

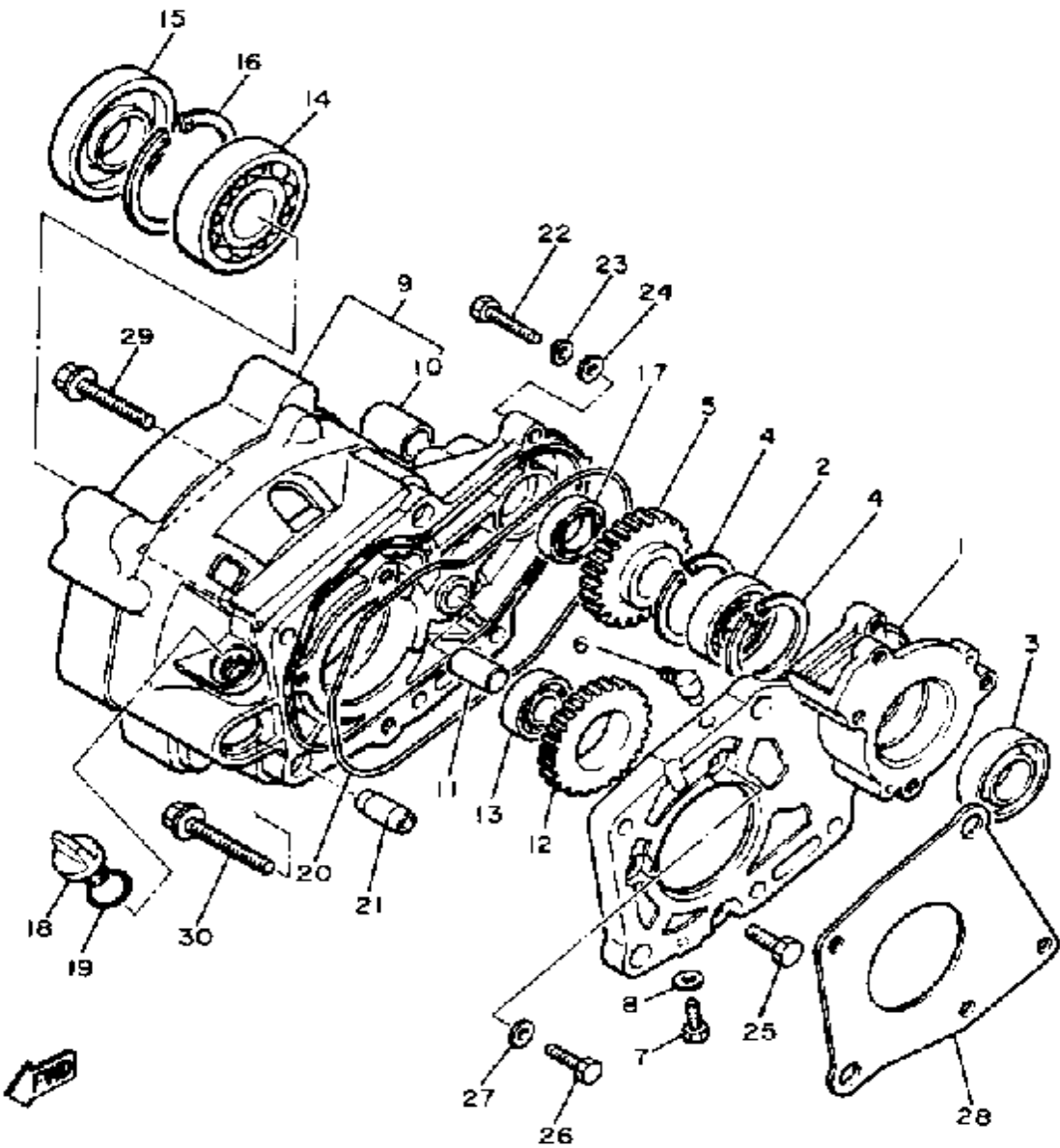
# OIL PUMP



Ref. No.	Part Number	Description	Qty	Remarks
1	8M6-13101-00-00	OIL PUMP ASSEMBLY	1	
2	90338-21100-00	. PLUG	1	
3	93505-32002-00	. BALL	2	
4	90501-02018-00	. SPRING, COMPRESSION	2	
5	90445-08555-00	. HOSE	1	
6	353-13552-01-00	. NOZZLE	1	
7	90468-02025-00	. CLIP	2	
8	90445-08556-00	. HOSE	1	
9	353-13552-01-00	. NOZZLE	1	
10	90468-02025-00	. CLIP	2	
11	90430-04004-00	. GASKET	1	
12	90157-04009-00	. SCREW, PAN HEAD	1	
13	92901-04600-00	. WASHER, PLATE	1	
14	137-13138-01-00	. PLATE, ADJUSTING	1	
15	137-13137-00-03	. SHIM (0.3T)	1	U.R.
	137-13137-00-05	. SHIM (0.5T)	1	U.R.
	137-13137-00-10	. SHIM (1.0T)	1	U.R.
16	92990-05100-00	. WASHER, SPRING	1	
17	95380-05600-00	. NUT	1	
18	8A5-13146-01-00	COVER, ADJUST PULLEY	1	
19	98506-04018-00	SCREW, PAN HEAD	3	
20	3MT-13116-00-00	GASKET, PUMP CASE (8Y0-13116-00)	1	
21	91311-05016-00	BOLT, SOCKET HEAD	2	
22	92990-05100-00	WASHER, SPRING	2	
23	8G8-26320-01-00	PUMP CABLE ASSEMBLY	1	
24	861-82361-00-00	CLAMP, CORD	2	

Property of [www.SmallEngineDiscount.com](http://www.SmallEngineDiscount.com) - Not for Resale

# PUMP DRIVE - GEAR

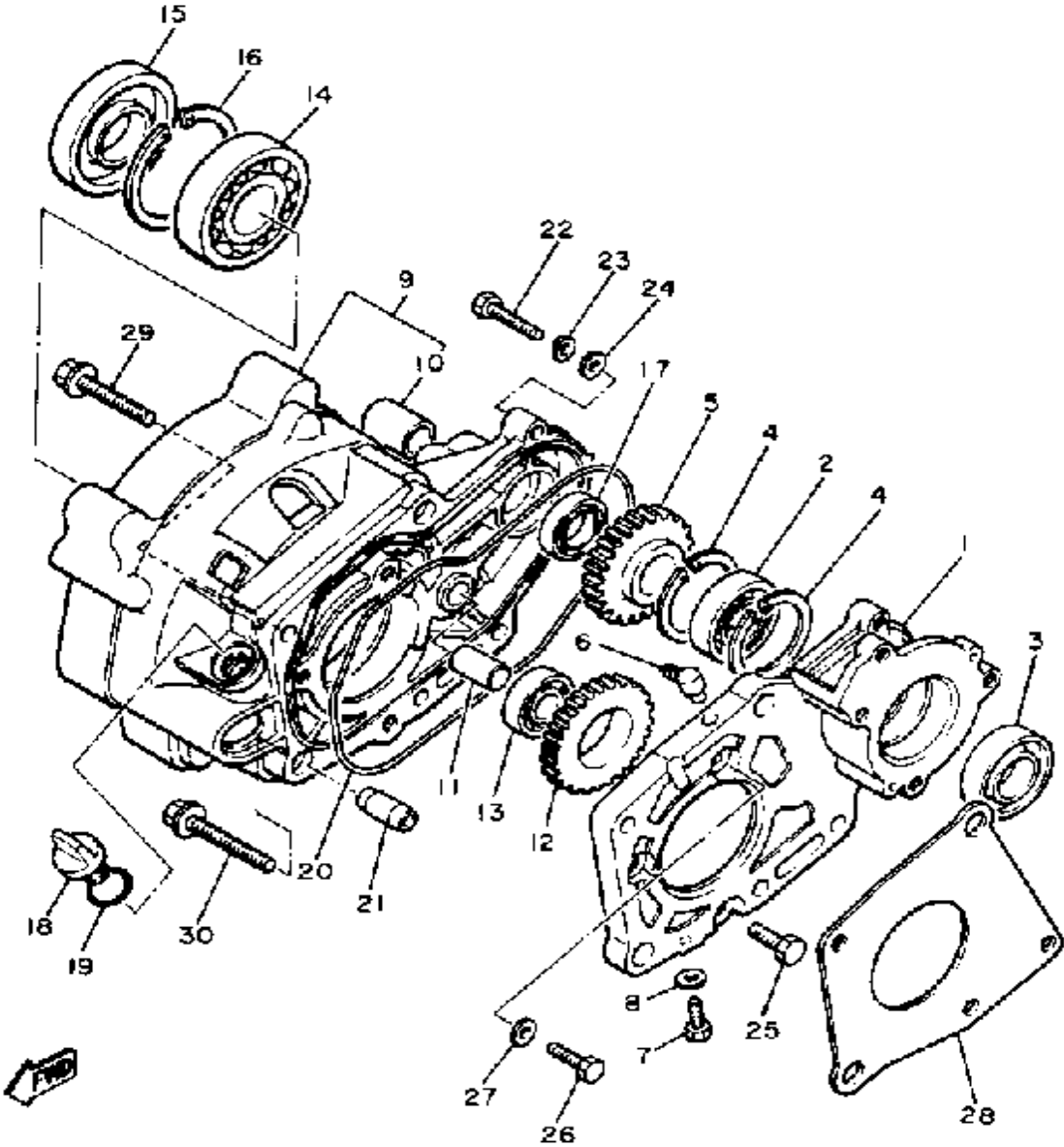


Ref. No.	Part Number	Description	Qty	Remarks
1	(8M6-15416-01-00)	COVER, OIL PUMP	1	
2	93306-00426-00	BEARING	1	
3	93103-25133-00	OIL SEAL, SW-TYPE (93103-25118)	1	
4	99009-42500-00	CIRCLIP	2	
5	8M6-13188-01-00	GEAR, DRIVE (8M6-13188-00)	1	
6	353-13552-01-00	NOZZLE	1	
7	97011-06010-00	BOLT	1	
8	90201-06630-00	WASHER, PLATE	1	
9	(8M6-15426-01-00)	COVER, OIL PUMP R	1	
10	90380-15082-00	. BUSH, SOLID	1	
11	8M6-13342-00-00	SHAFT, IDLE GEAR	1	
12	8M6-13179-00-00	GEAR, IDLE	1	
13	93316-00101-00	BEARING, CYLINDER.# 6	1	
14	93306-30536-00	BEARING	1	
15	93103-25120-00	OIL SEAL, SW-TYPE	1	
16	93420-62070-00	CIRCLIP 54G	1	
17	93103-20115-00	OIL SEAL, SW-TYPE	1	
18	4J2-15363-00-00	PLUG, OIL	1	
19	93210-14104-00	O-RING	1	
20	93211-44445-00	O-RING	1	
21	91800-13025-00	PIN, DOWEL	2	
22	97021-06030-00	BOLT	2	
23	92995-06100-00	WASHER, SPRING	2	
24	90201-061A5-00	WASHER, PLATE	2	
25	97313-08016-00	BOLT, HEXAGON	1	
26	97011-06020-00	BOLT	2	
27	90210-06006-00	WASHER, SEAL	2	
28	8M6-15456-00-00	GASKET, O/PMP CVR 1	1	

CONTINUED ON NEXT FRAME ►

Property of [www.SmallEngineDiscount.com](http://www.SmallEngineDiscount.com) - Not for Resale

# PUMP DRIVE - GEAR

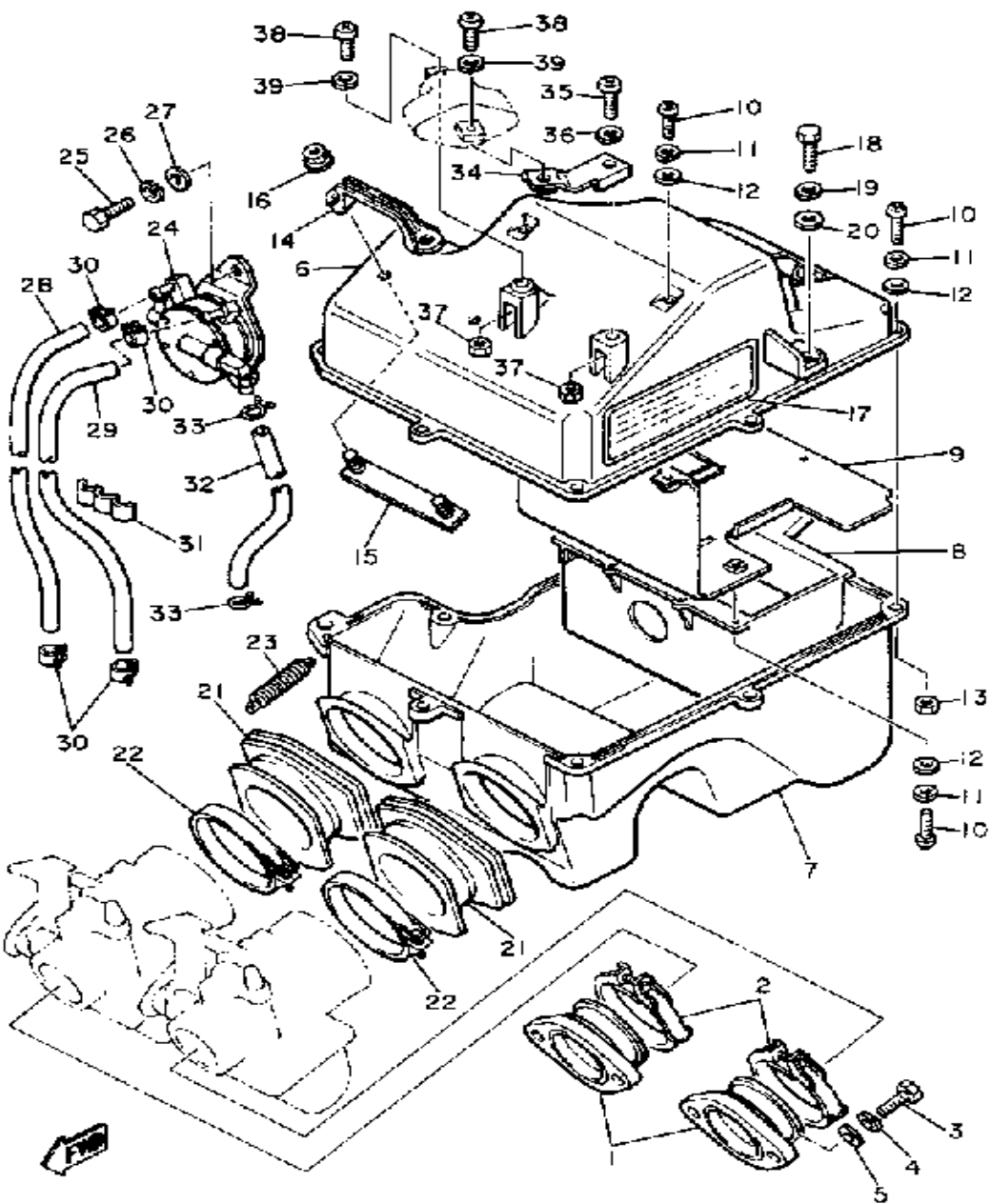


Ref. No.	Part Number	Description	Qty	Remarks
29	95811-08045-00	BOLT, FLANGE (JN5) . . . . .	3	
30	95811-08050-00	BOLT, FLANGE (95812-08050) . . . . .	2	

Property of [www.SmallEngineDiscount.com](http://www.SmallEngineDiscount.com) - Not for Resale

# INTAKE

Ref. No.	Part Number	Description	Qty	Remarks
1	8M6-13555-00-00	MANIFOLD, INTAKE	2	
2	90460-60084-00	CLAMP, HOSE	2	
3	97001-08025-00	BOLT (1NV)	4	
4	92990-08100-00	WASHER	4	
5	92901-08600-00	WASHER	4	
6	8M6-14431-00-00	SILENCER, INTAKE 1	1	
7	8M6-14441-00-00	SILENCER, INTAKE 2	1	
8	8M6-14472-00-00	PLATE, ELEMENT	1	
9	(8M6-14477-00-00)	PLATE	1	
10	98580-05016-00	SCREW, PAN HEAD	11	
11	92990-05100-00	WASHER, SPRING	11	
12	92901-05600-00	WASHER, PLATE	11	
13	95311-05700-00	NUT	7	
14	8M6-14497-00-00	STAY, THRTL VALVE	1	
15	8M6-14484-00-00	PLATE, CLNR CS FTNG	1	
16	95706-06300-00	NUT, NYLON	2	
17	8A5-14488-00-00	LABEL, CAUTION	1	
18	97011-06025-00	BOLT (97001-06025)	2	
19	92995-06100-00	WASHER, SPRING	2	
20	90201-06059-00	WASHER, PLATE	2	
21	(99999-01173-00)	JOINT 1	2	
22	90460-68230-00	CLAMP, HOSE	2	
23	90506-06243-00	SPRING, TENSION	2	
24	8M6-24410-00-00	FUEL PUMP ASSEMBLY	1	
25	97013-06012-00	BOLT	2	
26	92995-06100-00	WASHER, SPRING	2	
27	90201-061A5-00	WASHER, PLATE	2	
28	91A30-05024-00	TUBE, FLEXIBLE VINYL	1	
29	91A20-05036-00	TUBE, FLEXIBLE	1	

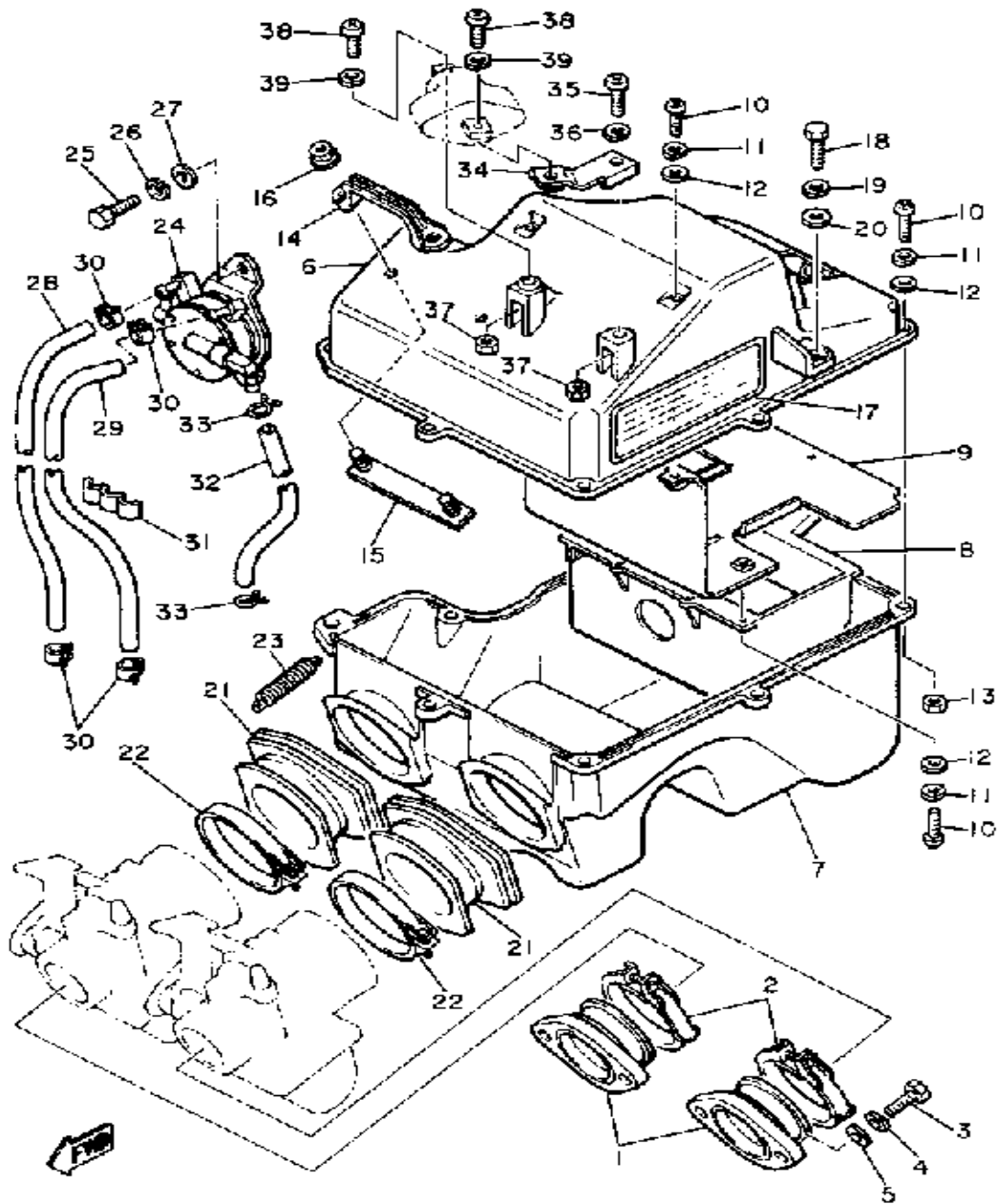


CONTINUED ON NEXT FRAME ➤

Property of [www.SmallEngineDiscount.com](http://www.SmallEngineDiscount.com) - Not for Resale

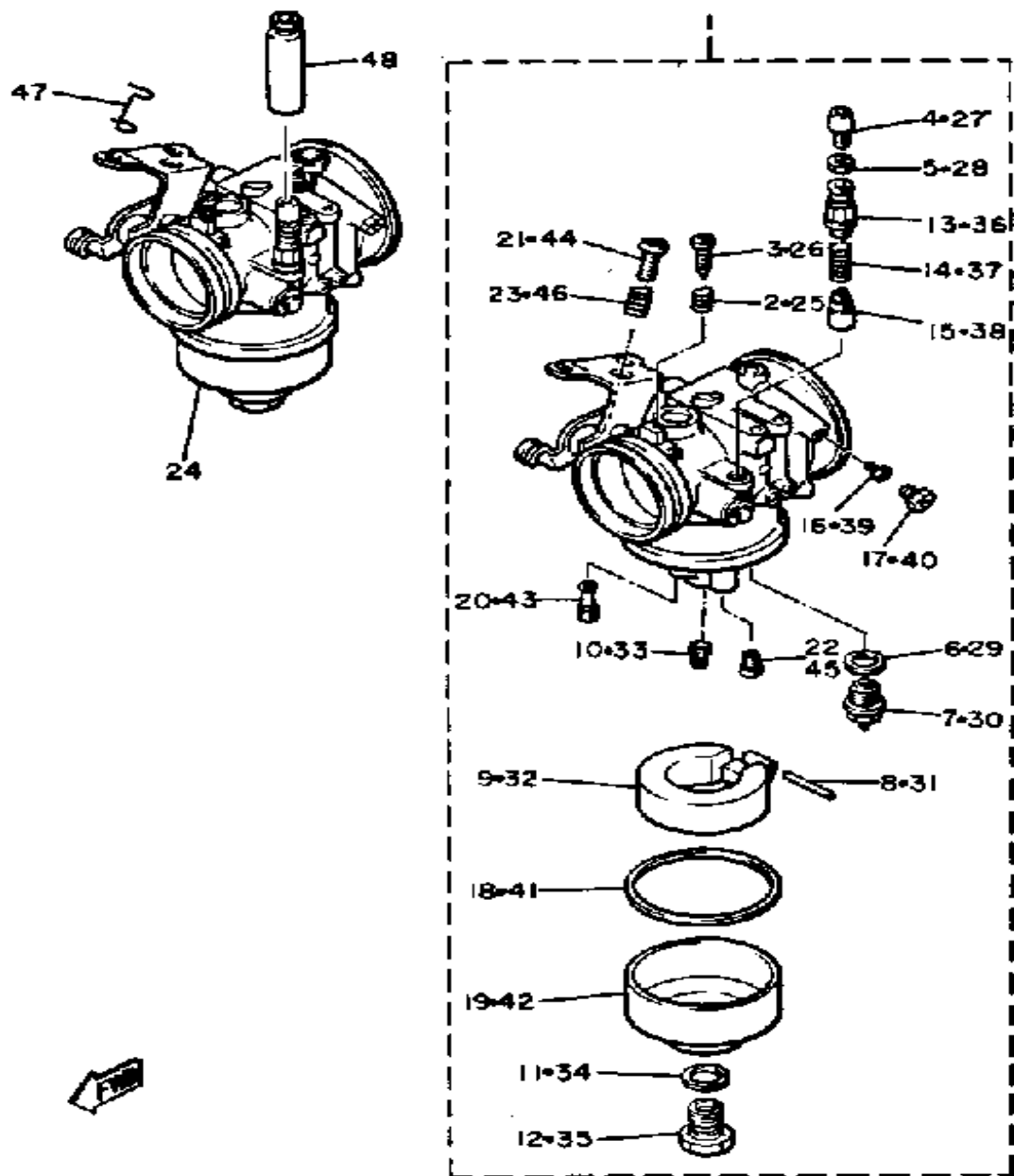
# INTAKE

Ref. No.	Part Number	Description	Qty	Remarks
30	90467-09026-00	CLIP	4	
31	(90468-15076-00)	CLIP	1	
32	90445-10144-00	HOSE	1	
33	90467-09006-00	CLIP	2	
34	8M6-82316-00-00	BRACKET, IGN COIL	1	
35	98580-06030-00	SCREW PAN HEAD	1	
36	92995-06100-00	WASHER, SPRING	1	
37	95380-06600-00	NUT	2	
38	98503-06014-00	SCREW, PAN HEAD (92502-06016)	2	
39	92995-06100-00	WASHER, SPRING	2	



Property of [www.SmallEngineDiscount.com](http://www.SmallEngineDiscount.com) - Not for Resale

# CARBURETOR

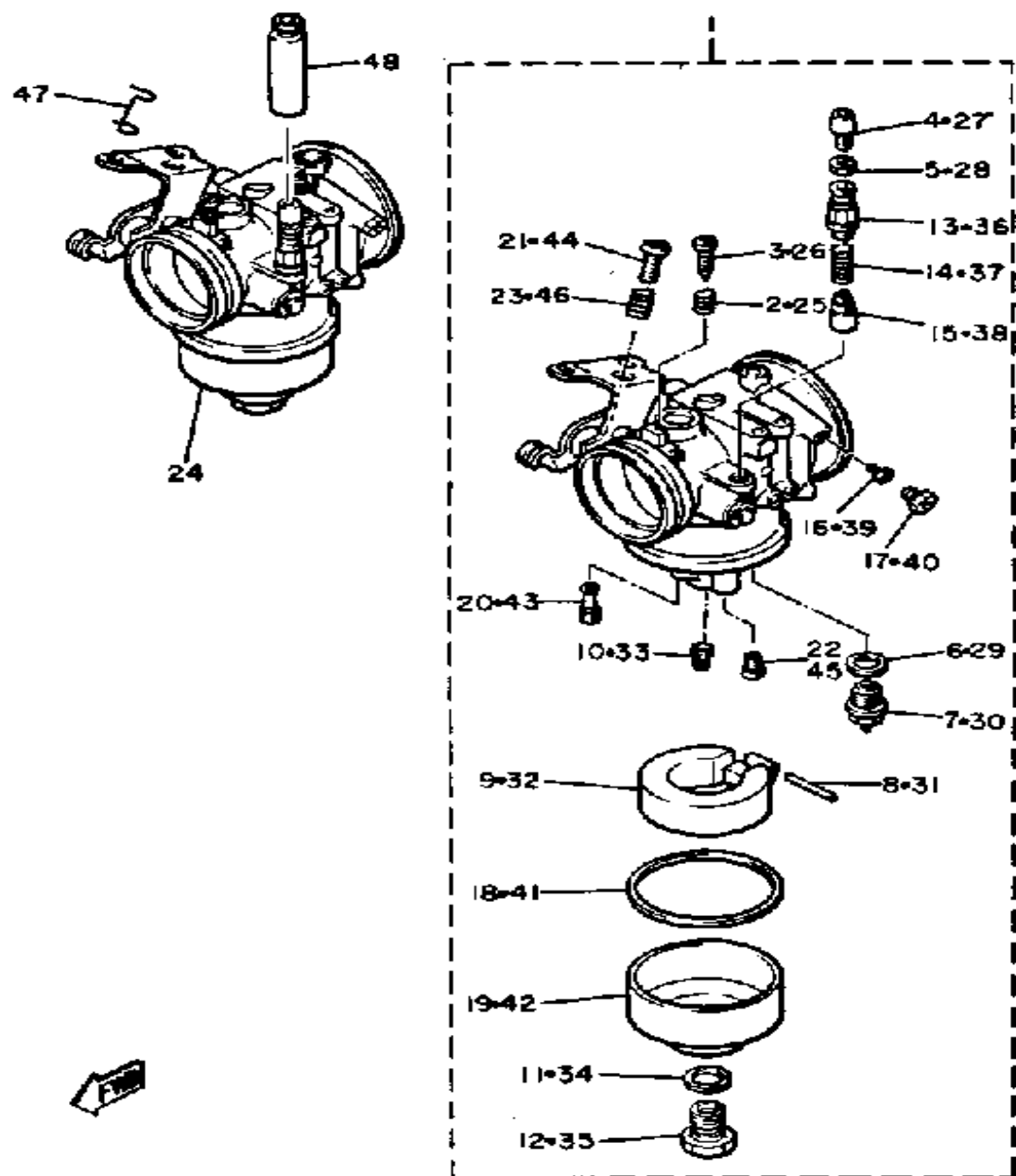


Ref. No.	Part Number	Description	Qty	Remarks
1	8M6-14101-00-00	CARBURETOR ASSEMBLY 1	1	
2	8M6-14134-00-00	. SPRING, AIR ADJUSTING (TJ)	1	
3	620-14211-00-00	. SCREW, PILOT ADJUSTING	1	
4	12G-14106-00-00	. CABLE ADJUST SCREW SET	1	
5	127-14161-00-00	. NUT, CABLE ADJUSTING	1	
6	214-14195-00-00	. WASHER, NEEDLE VALVE	1	
7	168-14190-15-00	. NEEDLE VALVE ASSEMBLY	1	
8	8M6-14186-00-00	. PIN, FLOAT	1	
9	8M6-14185-00-00	. FLOAT	1	
10	256-14944-27-A1	. JET, MAIN 1 5	1	ALTERNATE PART
	3G2-14231-24-00	. JET, MAIN (#120)	1	ALTERNATE PART
	3G2-14231-25-00	. JET, MAIN (#125)	1	ALTERNATE PART
	3G2-14231-26-A0	. JET, MAIN (#130) (3G2-14231-26-00)	1	ALTERNATE PART
	3G2-14231-28-00	. JET, MAIN (#140)	1	ALTERNATE PART 1
	3G2-14231-29-00	. JET, MAIN (#145)	1	STD
	3G2-14231-30-A0	. JET, MAIN (#150)	1	ALTERNATE PART
11	286-14198-00-00	. GASKET	1	
12	8M6-14261-00-00	. HOLDER	1	
13	8G8-14174-00-00	. CAP, PLUNGER	1	
14	127-14135-00-00	. SPRING, PLUNGER	1	
15	58E-14171-00-00	. PLUNGER, STARTER	1	
16	3G2-1423A-67-00	. JET, MAIN #825 (#82.5)	1	STD
	8M6-14991-00-00	. SCREW	1	ALTERNATE PART
17	8K2-14172-00-00	. PILOT JET, AIR	1	
18	8M6-14126-00-00	. GASKET	1	
19	8M6-14181-00-00	. BODY, FLOAT CHAMBER 1	1	
20	193-14142-90-A1	. JET, PILOT (# 90)	1	STD
	193-1414F-00-A1	. JET, PILOT (#100)	1	ALTERNATE PART

CONTINUED ON NEXT FRAME ►

Property of [www.SmallEngineDiscount.com](http://www.SmallEngineDiscount.com) - Not for Resale

# CARBURETOR



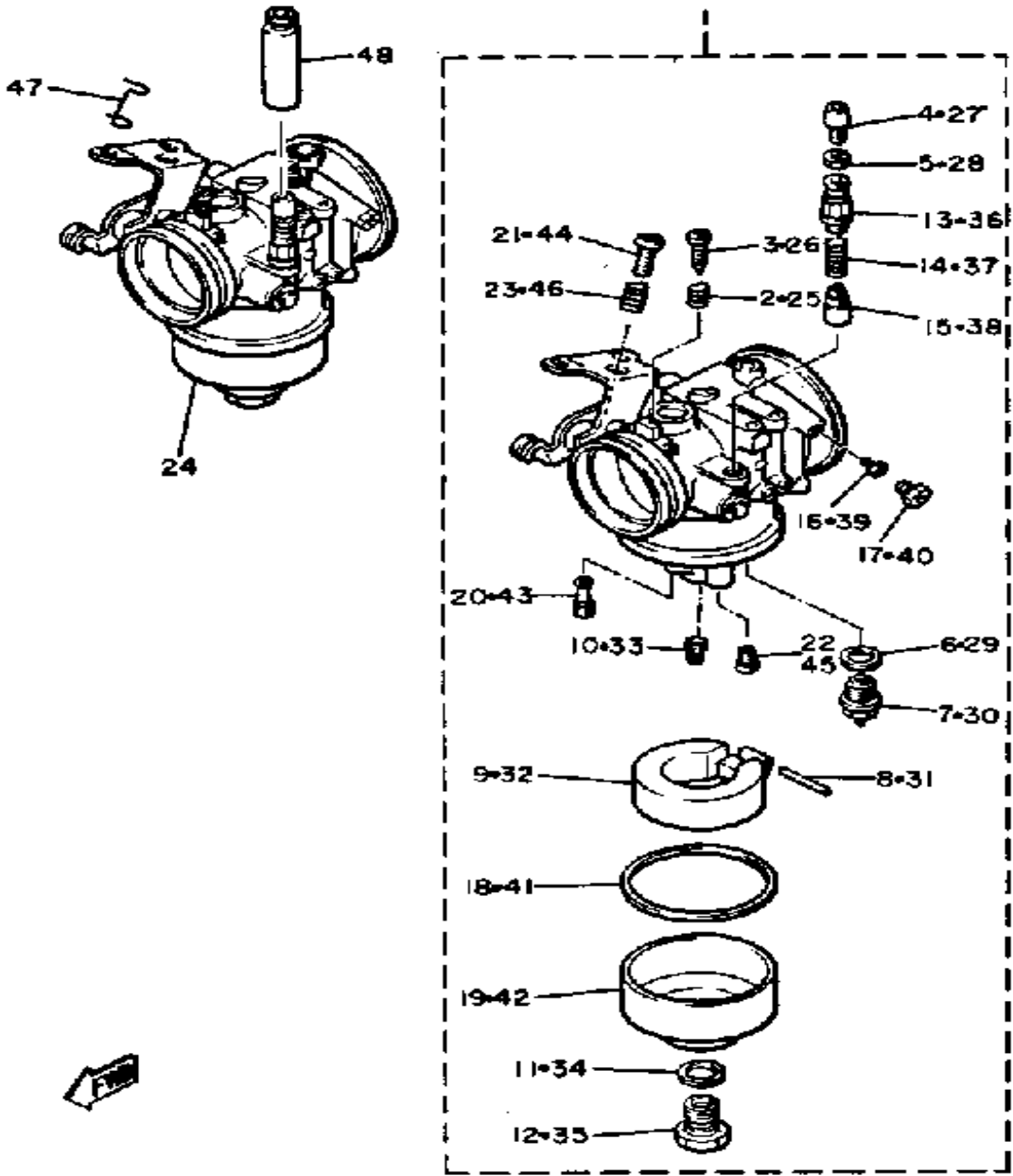
Ref. No.	Part Number	Description	Qty	Remarks
20	193-1414F-10-A1	. JET, PILOT #110 (8H9-14142-05) (105.0)	1	ALTERNATE PART
	193-1414F-15-A1	. JET, PILOT #115 (#115) (193-1414F-15)	1	ALTERNATE PART
21	(8M6-14121-00-00)	SCREW, THRTL STOP	1	
22	(256-14944-65-00)	JET, MAIN #72 5	1	ALTERNATE PART
	3G2-14231-19-00	. JET, POWER (# 95)	1	STD
23	143-14133-00-00	. SPRING, THRTL STOP	1	
24	(8M6-14102-00-00)	CARBURETOR ASSEMBLY 2	1	
25	8M6-14134-00-00	. SPRING, AIR ADJUSTING (TJ)	1	
26	620-14211-00-00	. SCREW, PILOT ADJUSTING	1	
27	12G-14106-00-00	. CABLE ADJUST SCREW SET	1	
28	127-14161-00-00	. NUT, CABLE ADJUSTING	1	
29	214-14195-00-00	. WASHER, NEEDLE VALVE	1	
30	168-14190-15-00	. NEEDLE VALVE ASSEMBLY	1	
31	8M6-14186-00-00	. PIN, FLOAT	1	
32	8M6-14185-00-00	. FLOAT	1	
33	256-14944-27-A1	. JET, MAIN 1 5	1	ALTERNATE PART
	3G2-14231-24-00	. JET, MAIN (#120)	1	ALTERNATE PART
	3G2-14231-25-00	. JET, MAIN (#125)	1	ALTERNATE PART
	3G2-14231-26-A0	. JET, MAIN (#130) (3G2-14231-26-00)	1	ALTERNATE PART
	3G2-14231-28-00	. JET, MAIN (#140)	1	ALTERNATE PART
	3G2-14231-29-00	. JET, MAIN (#145)	1	STD
	3G2-14231-30-A0	. JET, MAIN (#150)	1	ALTERNATE PART
34	286-14198-00-00	. GASKET	1	
35	8M6-14261-00-00	. HOLDER	1	
36	8G8-14174-00-00	. CAP, PLUNGER	1	
37	127-14135-00-00	. SPRING, PLUNGER	1	
38	58E-14171-00-00	. PLUNGER, STARTER	1	

CONTINUED ON NEXT FRAME ➤

Property of [www.SmallEngineDiscount.com](http://www.SmallEngineDiscount.com) - Not for Resale



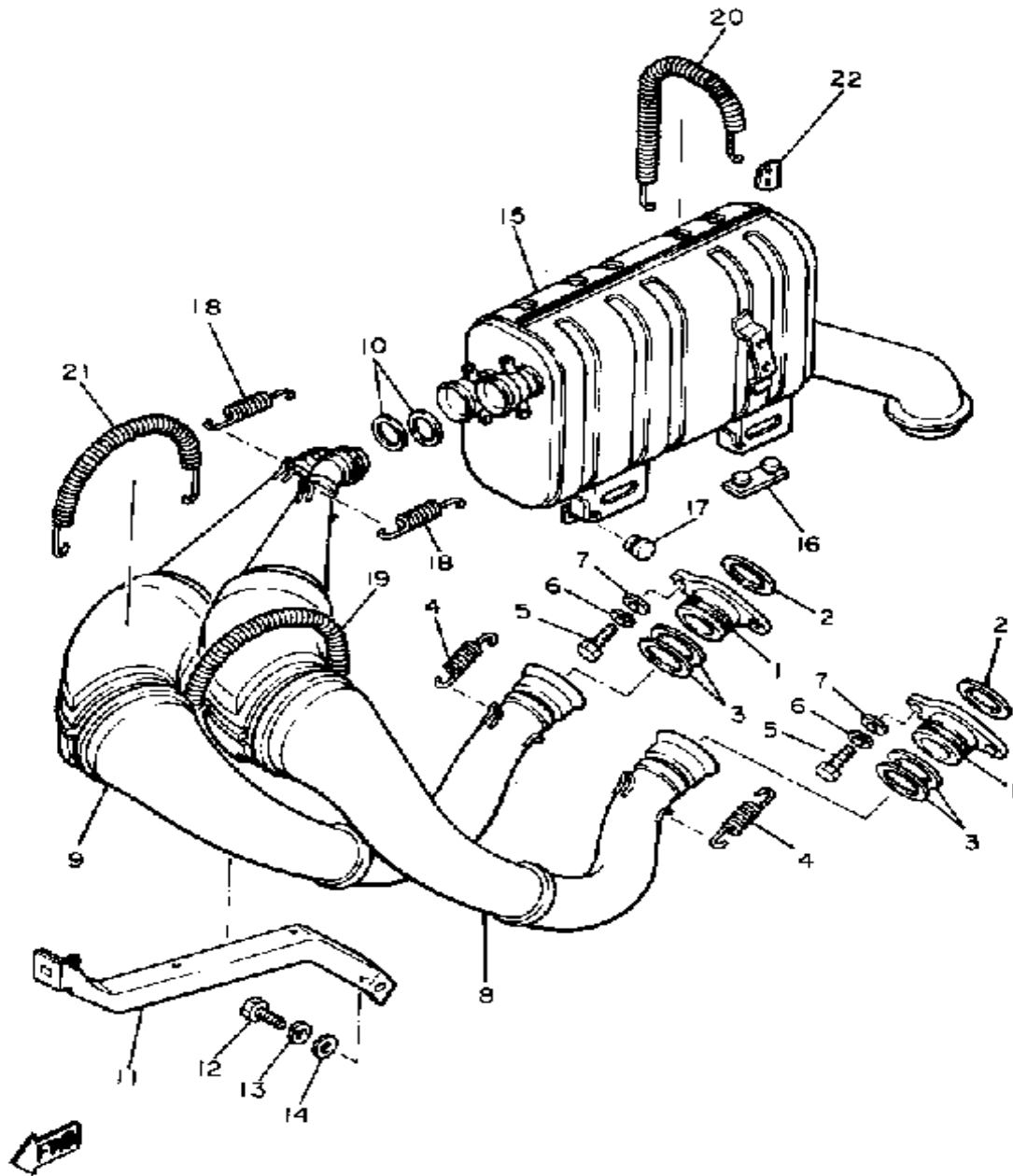
# CARBURETOR



Ref. No.	Part Number	Description	Qty	Remarks
39	256-14944-87-00	. JET, MAIN #87 5	1	STD 1
	8M6-14991-00-00	. SCREW	1	ALTERNATE PART
40	8K2-14172-00-00	. PILOT JET, AIR	1	
41	8M6-14126-00-00	. GASKET	1	
42	8M6-14181-00-00	. BODY, FLOAT CHAMBER 1	1	
43	193-14142-90-A1	. JET, PILOT (# 90)	1	STD
	193-1414F-00-A1	. JET, PILOT (#100)	1	ALTERNATE PART
	193-1414F-10-A1	. JET, PILOT #110 (8H9-14142-05) (105.0)	1	ALTERNATE PART
	193-1414F-15-A1	. JET, PILOT #115 (#115) (193-1414F-15)	1	ALTERNATE PART
44	(8M6-14121-00-00)	SCREW, THRTL STOP	1	
45	(256-14944-65-00)	JET, MAIN #72 5	1	ALTERNATE PART
	3G2-14231-19-00	. JET, POWER (# 95)	1	STD
46	143-14133-00-00	. SPRING, THRTL STOP	1	
47	90465-10033-00	CLAMP	2	
48	8J5-26352-00-00	BOOT	2	

Property of [www.SmallEngineDiscount.com](http://www.SmallEngineDiscount.com) - Not for Resale

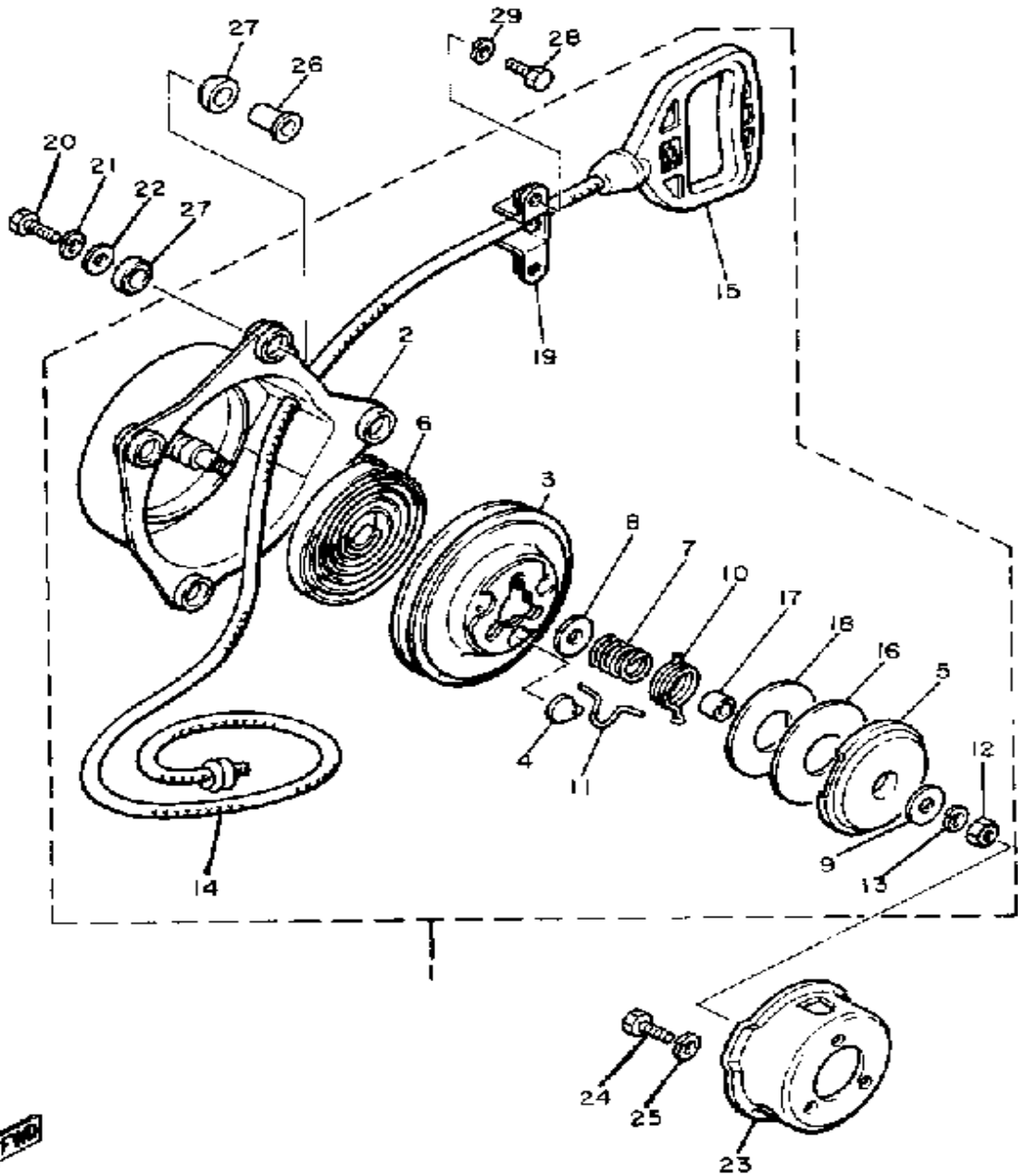
# EXHAUST



Ref. No.	Part Number	Description	Qty	Remarks
1	8J0-14612-00-00	NUT, RING .....	2	
2	8A7-14613-00-00	UNAVAILABLE IN PRICE BOOK	2	
3	888-14633-00-00	RING .....	4	
4	90506-20115-00	SPRING, TENSION .....	4	
5	97013-08025-00	BOLT .....	4	
6	92990-08100-00	WASHER .....	4	
7	92901-08600-00	WASHER .....	4	
8	(8M6-14610-00-00)	EXHAUST PIPE ASSEMBLY L .	1	
9	(8M6-14620-00-00)	EXHAUST PIPE ASSEMBLY R .	1	
10	8F2-14633-00-00	RING .....	2	
11	8M6-14771-00-00	STAY, MUFFLER 1 .....	1	
12	97011-08016-00	BOLT .....	1	
13	92990-08100-00	WASHER .....	1	
14	92990-08200-00	WASHER, PLAIN .....	1	
15	(8M6-14640-00-00)	2ND SILENCER, MUFF .....	1	
16	8A5-14728-02-00	PROTECTOR, MUFFLER 2 ....	3	
17	90480-11298-00	GROMMET .....	1	
18	90506-20093-00	SPRING, TENSION .....	4	
19	90506-16196-00	SPRING, TENSION .....	1	
20	90506-16198-00	SPRING, TENSION .....	1	
21	90506-16210-00	SPRING, TENSION .....	1	
22	8M6-14768-00-00	STOPPER .....	1	

Property of [www.SmallEngineDiscount.com](http://www.SmallEngineDiscount.com) - Not for Resale

# STARTER



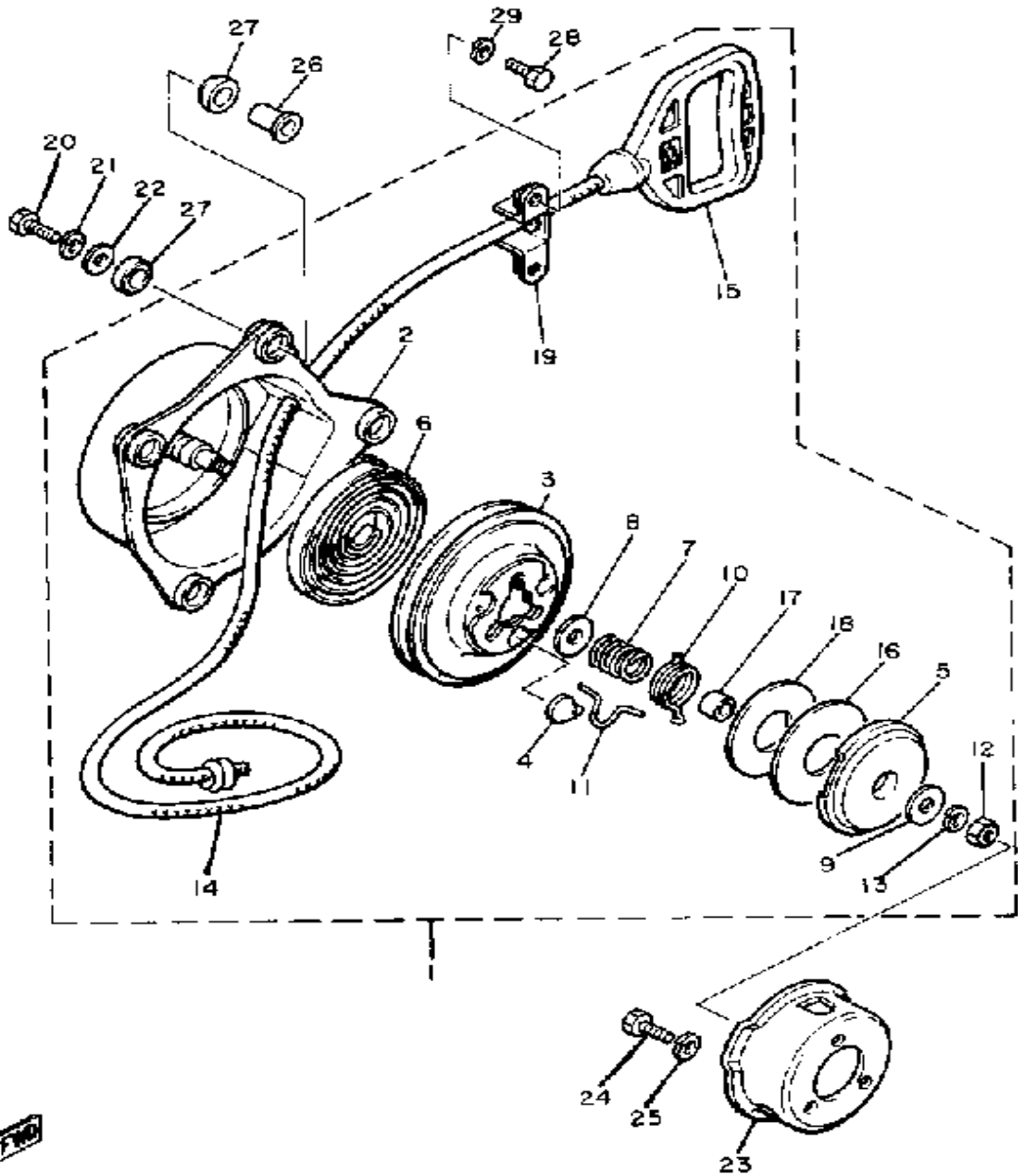
Ref. No.	Part Number	Description	Qty	Remarks
1	8M6-15710-04-00	STARTER ASSEMBLY (8M6-15710-02)	1	
2	8M6-15711-04-00	. CASE, STARTER (8M6-15711-01)	1	
3	857-15714-00-00	. DRUM, SHEAVE	1	
4	811-15741-00-00	. PAWL, DRIVE	3	
5	8A7-15716-00-00	. PLATE, DRIVE	1	
6	8Y0-15713-00-00	. SPRING, STARTER	1	
7	626-15715-01-00	. SPRING, DRIVE PLATE (807-15715-00)	1	
8	(802-15726-00-00)	WASHER, FLAT	1	
9	807-15726-01-00	. WASHER, FLAT	1	
10	811-15734-00-00	. SPRING, RETURN	1	
11	811-15784-00-00	. SPRING, RETURN	3	
12	95303-08700-00	. NUT	1	
13	92990-08100-00	. WASHER	1	
14	857-15751-00-00	. WIRE, STARTER	1	
15	8F3-15755-00-00	. HANDLE, STARTER	1	
16	8A7-15719-00-00	. WASHER, THRUST	1	
17	8A7-15753-00-00	. BUSH	1	
18	8A7-15739-00-00	. WASHER, THRUST	1	
19	8K4-15788-00-00	. HOLDER, HANDLE	1	
20	97313-06040-00	BOLT, HEXAGON	4	
21	92995-06100-00	WASHER, SPRING	4	
22	90201-06067-00	WASHER, PLATE	8	
23	8M6-15723-01-00	PULLEY, STARTER	1	
24	97011-08016-00	BOLT	3	
25	92990-08100-00	WASHER	3	
26	90387-063E9-00	COLLAR	4	
27	90385-12036-00	BUSH	8	

CONTINUED ON NEXT FRAME ►

Property of [www.SmallEngineDiscount.com](http://www.SmallEngineDiscount.com) - Not for Resale

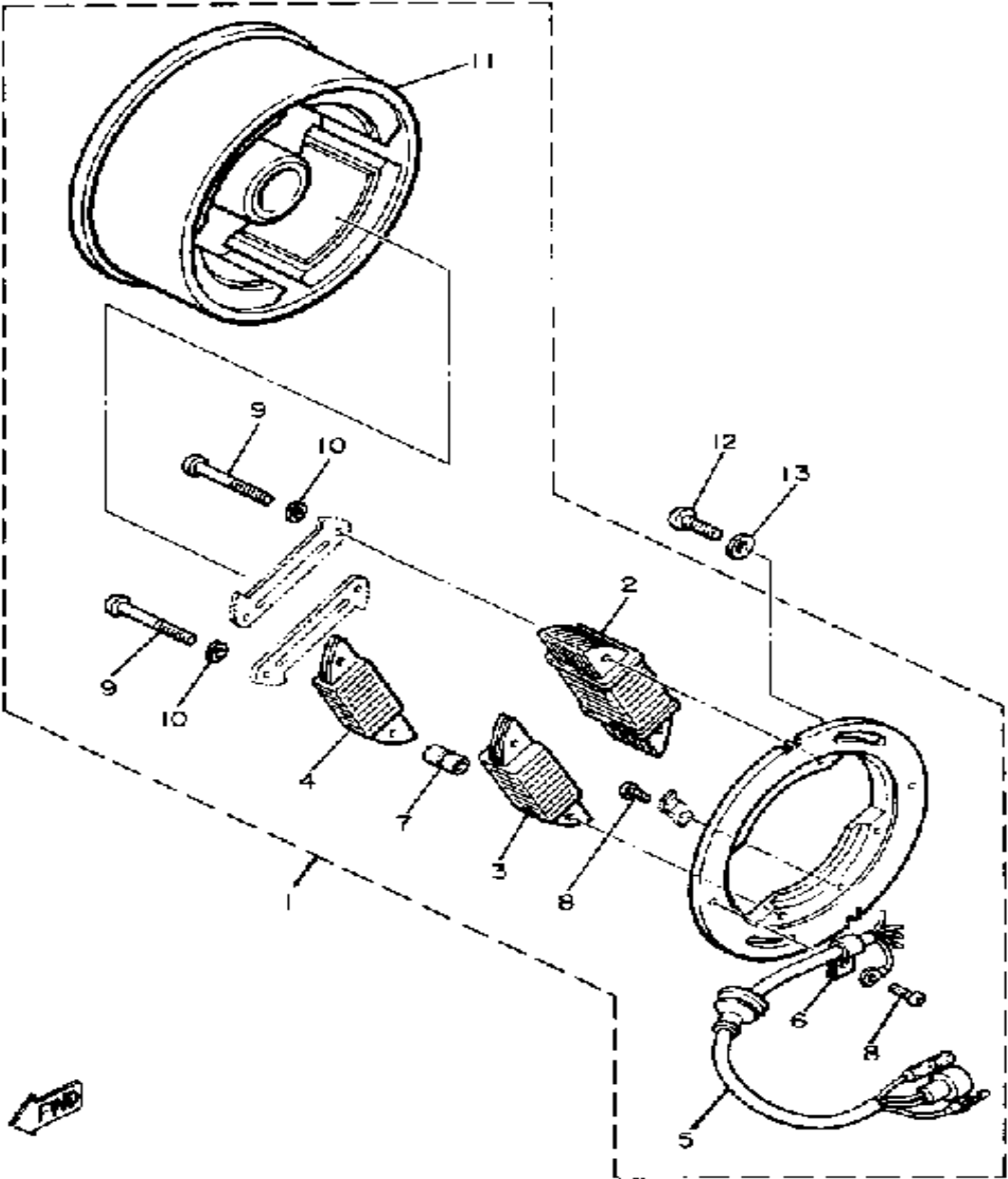
# STARTER

Ref. No.	Part Number	Description	Qty	Remarks
28	97026-06012-00	BOLT .....	2	
29	92906-06100-00	WASHER, SPRING .....	2	



Property of [www.SmallEngineDiscount.com](http://www.SmallEngineDiscount.com) - Not for Resale

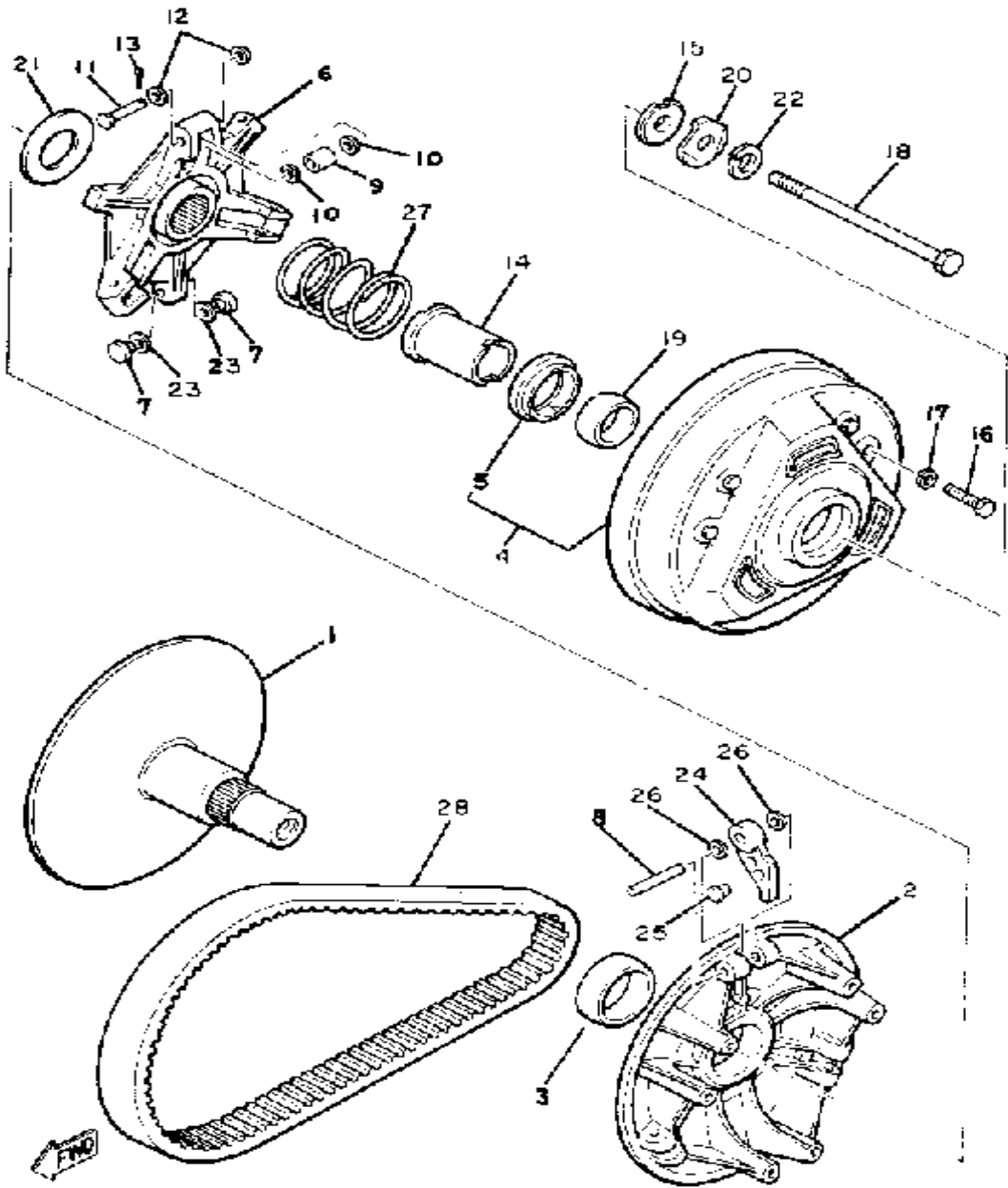
# C - D - I - MAGNETO



Ref. No.	Part Number	Description	Qty	Remarks
1	(8R9-85500-10-00)	CDI MAGNETO ASSEMBLY ...	1	
2	8K4-85513-10-00	. COIL, LIGHTING 1 .....	1	
3	482-85520-10-00	. COIL, CHARGE .....	1	
4	8G9-85541-10-00	. COIL, CHARGE .....	1	
5	(8M6-85515-10-00)	LEAD WIRE ASSEMBLY .....	1	
6	109-81328-11-00	. CLAMP .....	1	
7	(8M6-81318-10-00)	SPACER .....	2	
8	98580-04008-00	. SCREW, PAN HEAD .....	2	
9	98501-05040-00	. SCREW, PAN HEAD (98502-05040) .....	4	
10	92990-05100-00	. WASHER, SPRING .....	4	
11	(8M6-85550-10-00)	ROTOR ASSEMBLY .....	1	
12	98980-06016-00	SCREW, BINDING .....	2	
13	90201-06043-00	WASHER, PLATE .....	2	

Property of [www.SmallEngineDiscount.com](http://www.SmallEngineDiscount.com) - Not for Resale

# PRIMARY SHEAVE

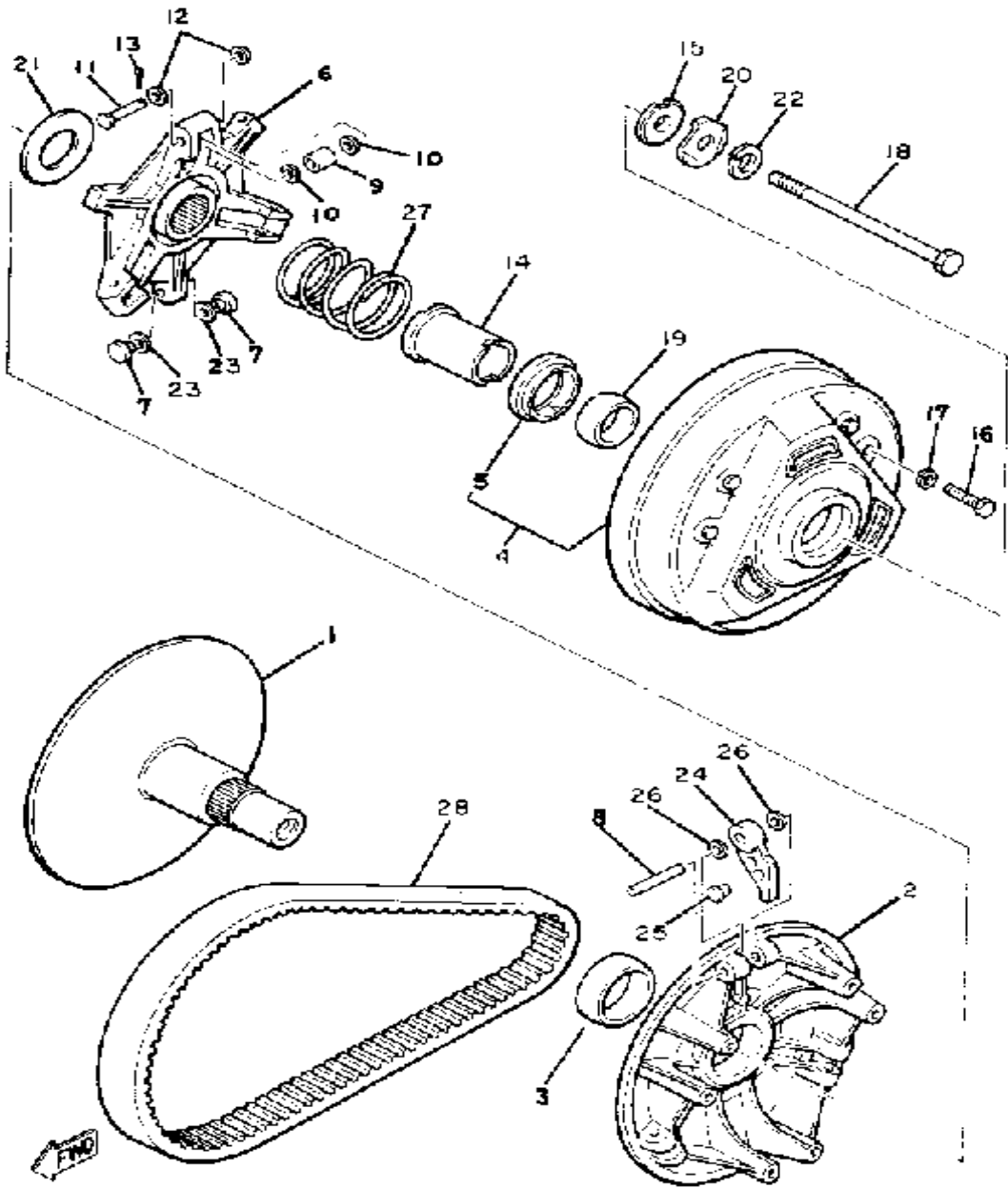


Ref. No.	Part Number	Description	Qty	Remarks
1	8J0-17610-01-00	PRI FIXED SHEAVE	1	
2	8E7-17621-01-00	SHEAVE, PRI SLIDING	1	
3	90389-41021-00	BUSH, SPEC'L SHAPE	1	
4	8E7-W1762-00-00	PRI. SHEAVE CAP	1	
5	8E7-17644-02-00	. SEAT, SPRING	1	
6	8J0-17627-00-00	SPIDER	1	
7	8F2-17653-00-00	SLIDER	6	
8	93607-44120-00	PIN, DOWEL	3	
9	8K2-17645-00-00	COLLAR	3	
10	90202-06113-00	WASHER, PLATE	6	
11	90240-06062-00	PIN, CLEVIS	3	
12	92990-06200-00	WASHER	6	
13	91401-25020-00	PIN, COTTER	3	
14	90387-28721-00	COLLAR	1	
15	8J0-17654-00-00	SPACER 1	1	
16	97313-06030-00	BOLT, HEXAGON	6	
17	92995-06100-00	WASHER, SPRING	6	
18	90101-13406-00	BOLT	1	
19	90389-34020-00	BUSH, SPEC'L SHAPE	1	
20	90215-13047-00	WASHER, LOCK	1	
21	90201-32710-00	WASHER, PLATE	1	
22	90204-13010-00	WASHER, SPRING	1	
23	90201-090A4-00	WASHER, PLATE	6	U.N.
24	8M6-17632-00-00	WEIGHT, CLUTCH (STD)	3	U.R.
	8M6-17632-70-00	WEIGHT, CLUTCH	3	ALTERNATE PART
25	90261-06017-00	RIVET, COUNTERSUNK (ST11.3MM)	3	
26	90201-07641-00	WASHER, PLATE	6	

CONTINUED ON NEXT FRAME ►

Property of [www.SmallEngineDiscount.com](http://www.SmallEngineDiscount.com) - Not for Resale

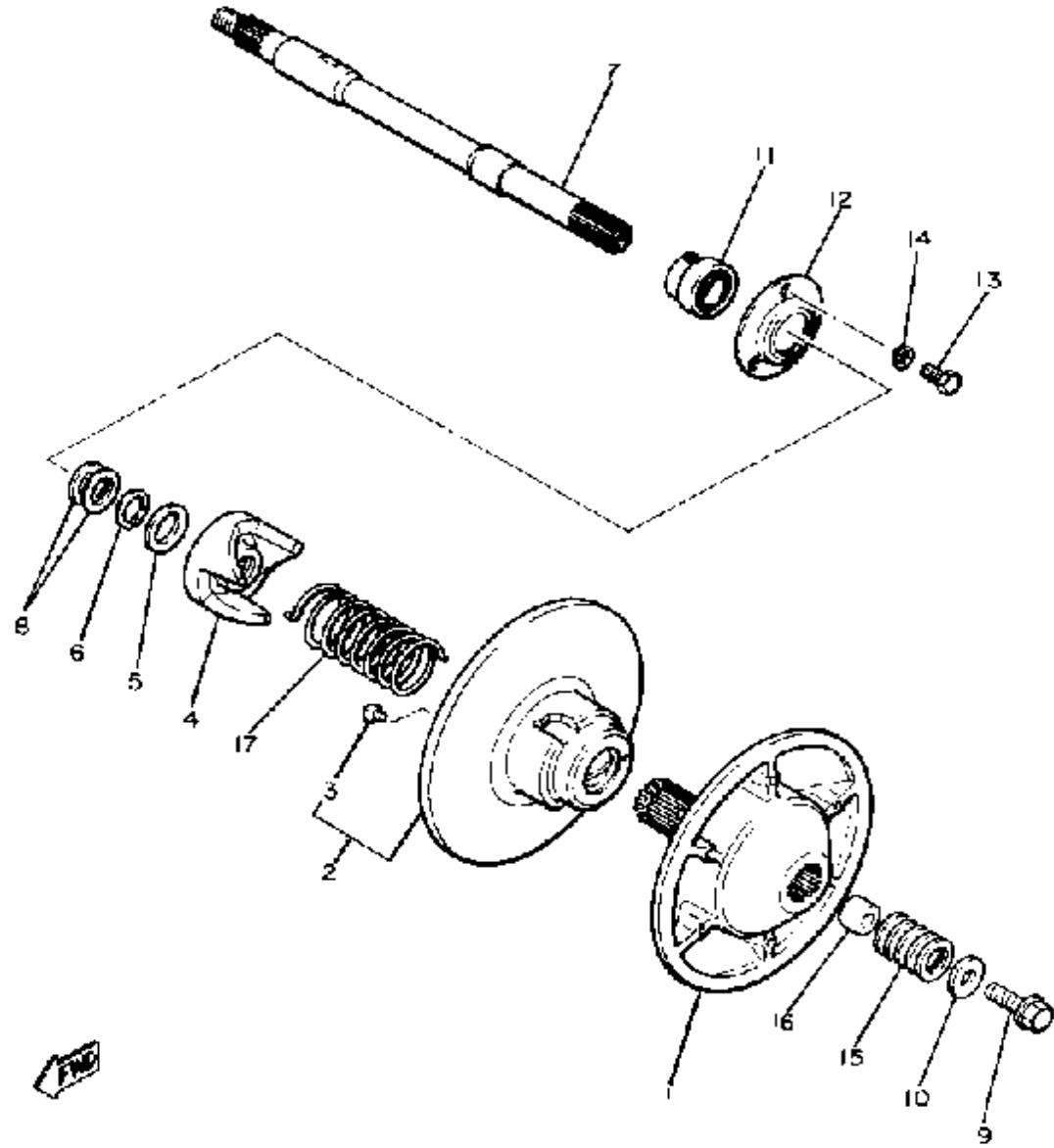
# PRIMARY SHEAVE



Ref. No.	Part Number	Description	Qty	Remarks
27	(90501-55355-00)	SPRING, YEL/YEL	1	ALTERNATE PART
	(90501-55403-00)	SPRING, COMPRESSION	1	U.R. STD
28	8K2-17602-09-00	CLUTCH SUB ASSEMBLY	1	OPTIONAL KITSWITH +
	8L9-00000-50-00	CLTCH TUNE UP KIT	1	WITH *
	8M6-17000-10-00	CLUTCH WEIGHT KIT	1	WITH -
	8M6-17641-00-00	V-BELT	1	

Property of [www.SmallEngineDiscount.com](http://www.SmallEngineDiscount.com) - Not for Resale

# SECONDARY SHEAVE

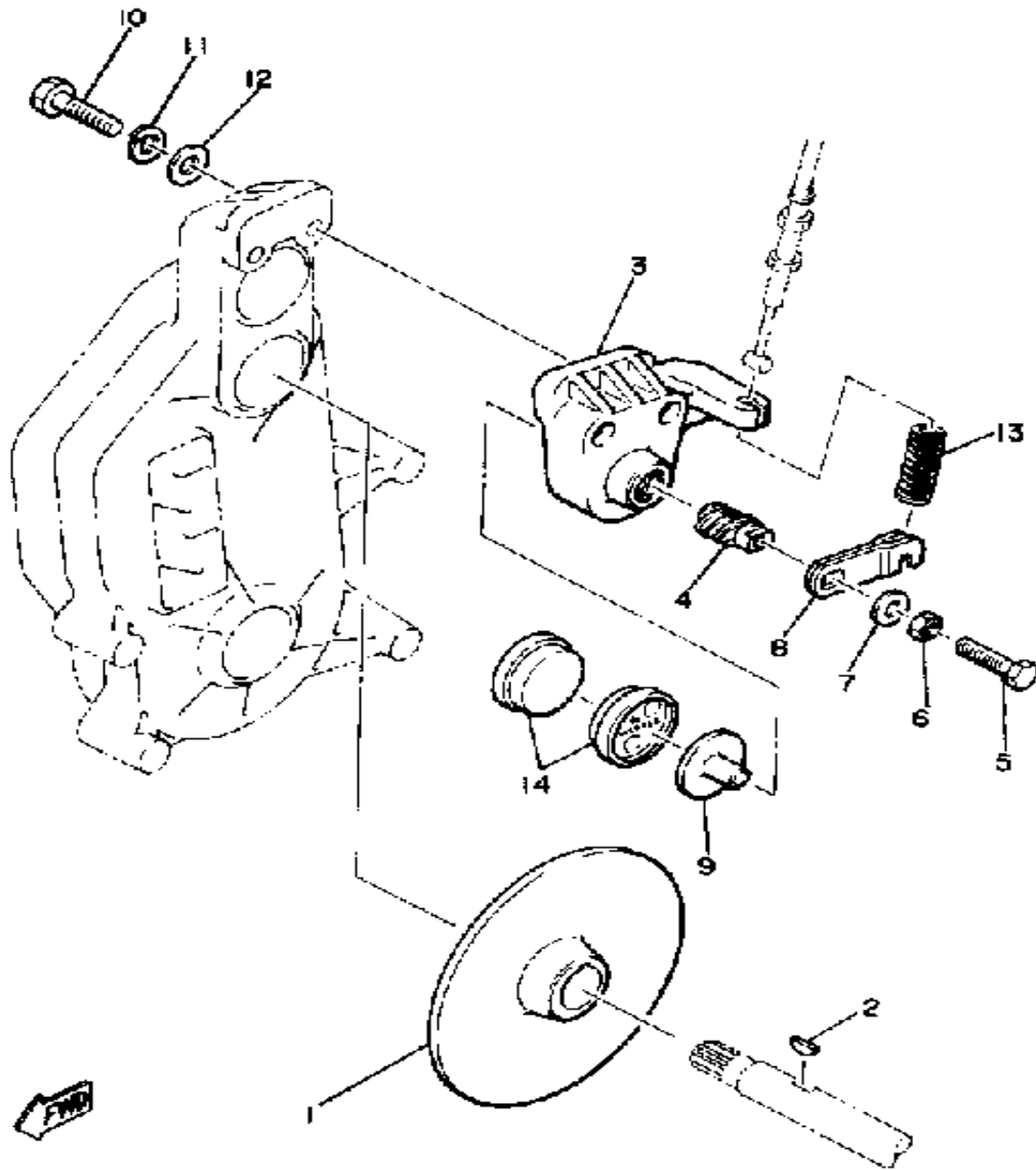


Ref. No.	Part Number	Description	Qty	Remarks
1	8K4-17660-00-00	SEC FXD SHV .....	1	
2	99999-01794-00	SEC.SLDNG.SHV.SET .....	1	
3	8X6-17688-00-00	. SHOE, RAMP .....	3	
4	8K4-17684-00-00	SEAT, SEC SPRING .....	1	
5	90201-34684-00	WASHER, PLATE .....	1	
6	93440-34170-00	CIRCLIP .....	1	
7	82M-17681-00-00	SHAFT, SECONDARY .....	1	
8	90201-25526-00	WASHER, PLATE (T2.0) .....	1	U.R.
	90201-25527-00	WASHER, PLATE (T1.0) .....	1	U.R.
9	90105-14175-00	BOLT, WASHER BASED .....	1	
10	90201-140A6-00	WASHER, PLATE .....	1	
11	8L8-17678-00-00	BEARING .....	1	
12	8K4-47631-01-00	HOUSING, BEARING .....	1	
13	97011-08016-00	BOLT .....	3	
14	92990-08100-00	WASHER .....	3	
15	90201-225A4-00	WASHER, PLATE (T1.0) .....	3	U.N.
16	90387-147A8-00	COLLAR .....	1	
17	90508-45286-00	SPRING, TORSION .....	1	

Property of [www.SmallEngineDiscount.com](http://www.SmallEngineDiscount.com) - Not for Resale



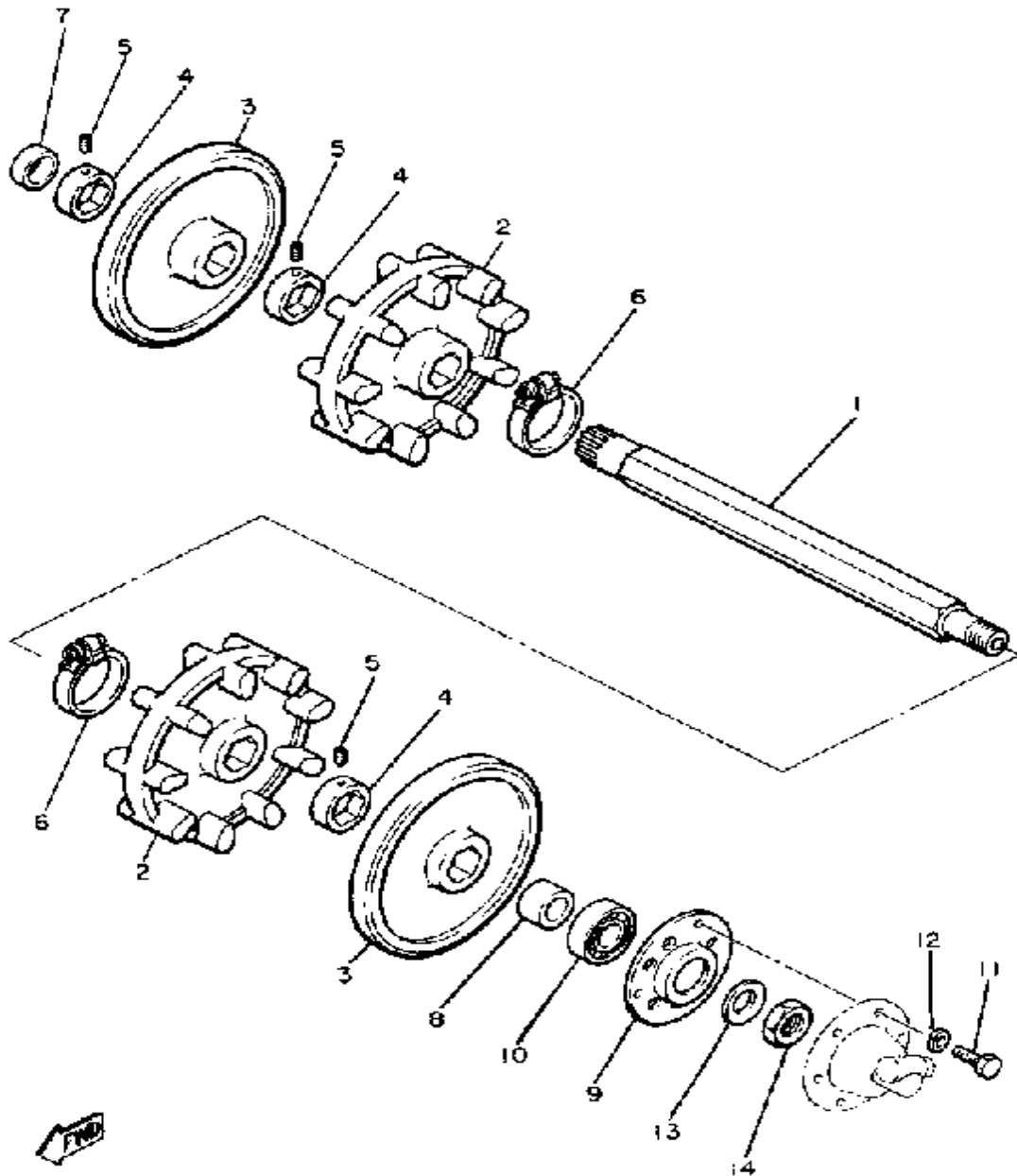
# BRAKE



Ref. No.	Part Number	Description	Qty	Remarks
1	8L8-25831-00-00	DISC, BRAKE (R) .....	1	
2	8J7-25848-00-00	KEY .....	1	
3	8K4-25731-00-00	BODY, CALIPER 1 .....	1	
4	878-25728-00-00	CAM .....	1	
5	90101-08499-00	BOLT .....	1	
6	95303-08700-00	NUT .....	1	
7	92901-08600-00	WASHER .....	1	
8	878-25726-00-00	LEVER, BRAKE .....	1	
9	878-25733-00-00	PLATE, BACK UP .....	1	
10	97313-10055-00	BOLT, HEXAGON (97322-10055)	2	
11	92990-10100-00	WASHER, SPRING .....	2	
12	92990-10600-00	WASHER, PLATE .....	2	
13	90501-23337-00	SPRING, COMPRESSION .....	1	
14	84X-25811-01-00	PAD, CALIPER 2 .....	2	U.R.

Property of [www.SmallEngineDiscount.com](http://www.SmallEngineDiscount.com) - Not for Resale

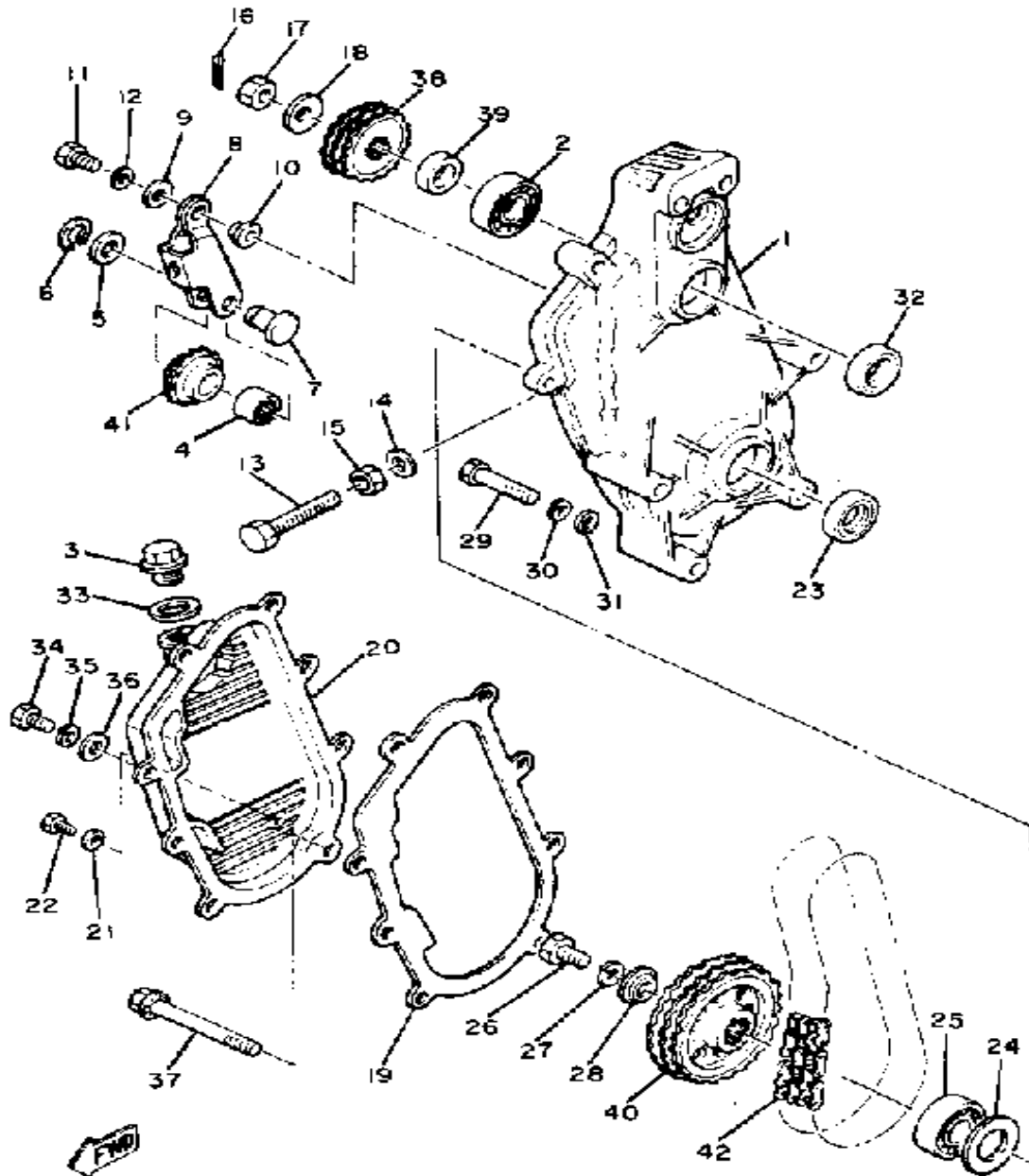
# TRACK DRIVE



Ref. No.	Part Number	Description	Qty	Remarks
1	(8M6-W4751-00-00)	AXLE, FRONT	1	
2	8M6-47531-00-00	WHEEL, SPROCKET 1	2	
3	(8M6-47534-00-00)	WHEEL, GUIDE 1	2	
4	(8M6-47526-00-00)	COLLAR	3	
5	90113-06039-00	BOLT, SET	3	
6	90460-50079-00	CLAMP, HOSE	2	
7	90387-280E1-00	COLLAR	1	
8	90387-227A9-00	COLLAR	1	
9	8K4-47551-00-00	HOUSING, FRONT AXLE	1	
10	93306-00420-00	BEARING (B6004)	1	
11	97011-08016-00	BOLT	3	
12	92990-08100-00	WASHER	3	
13	90208-22001-00	WASHER, CONICAL SPRING	1	
14	90170-22094-00	NUT	1	

Property of [www.SmallEngineDiscount.com](http://www.SmallEngineDiscount.com) - Not for Resale

# TRACK DRIVE 2

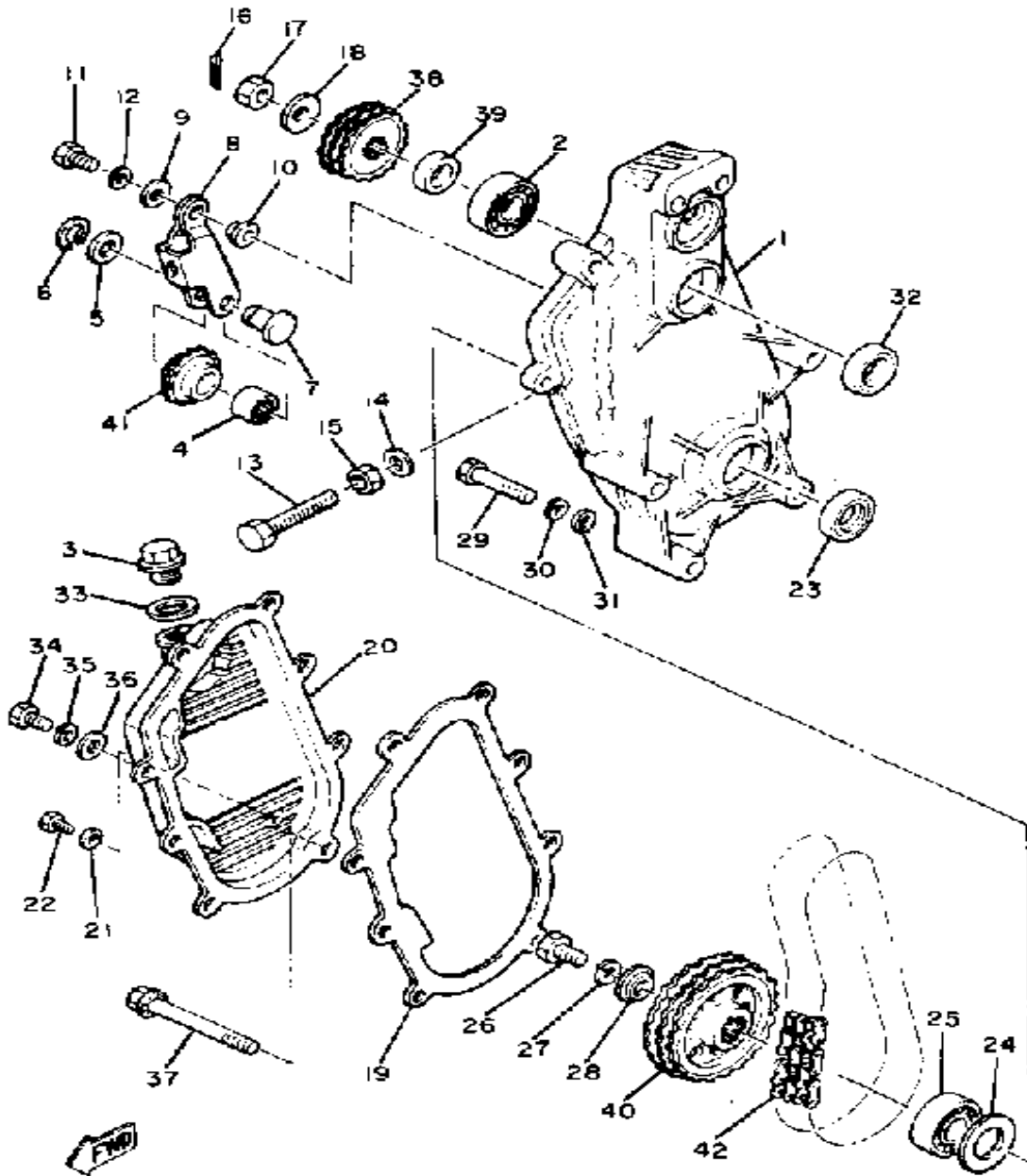


Ref. No.	Part Number	Description	Qty	Remarks
1	99999-02203-00	HOUSING, CHAIN (8L9-47541-00-00)	1	
2	93306-20570-00	BEARING	1	
3	90340-22047-00	PLUG, STRAIGHT SCREW	1	
4	93315-21227-00	BEARING	1	
5	90201-12631-00	WASHER, PLATE	1	
6	99009-12400-00	CIRCLIP	1	
7	90249-12135-00	PIN, SPEC'L SHAPE	1	
8	8K4-47613-00-00	HOLDER	1	
9	92990-08200-00	WASHER, PLAIN	2	
10	90387-08301-00	COLLAR	1	
11	97013-08025-00	BOLT	1	
12	92990-08100-00	WASHER	1	
13	90101-10357-00	BOLT	1	
14	90210-10004-00	WASHER, SEAL	1	
15	95303-10700-00	NUT	1	
16	91401-30030-00	PIN, COTTER	1	
17	90170-20211-00	NUT	1	
18	90208-20008-00	WASHER, CONICAL SPRING	1	
19	86M-47592-00-00	GASKET	1	
20	8L9-47543-00-00	CAP, HOUSING	1	
21	90210-06006-00	WASHER, SEAL	1	
22	97011-06010-00	BOLT	1	
23	93102-34230-00	OIL SEAL, SD-TYPE	1	
24	(90201-405A5-00)	WASHER, PLATE	1	
25	93306-20547-00	BEARING	1	
26	97013-06012-00	BOLT	1	
27	92995-06100-00	WASHER, SPRING	1	
28	90209-06137-00	WASHER, SPEC'L SHAP	1	

CONTINUED ON NEXT FRAME ►

Property of [www.SmallEngineDiscount.com](http://www.SmallEngineDiscount.com) - Not for Resale

# TRACK DRIVE 2



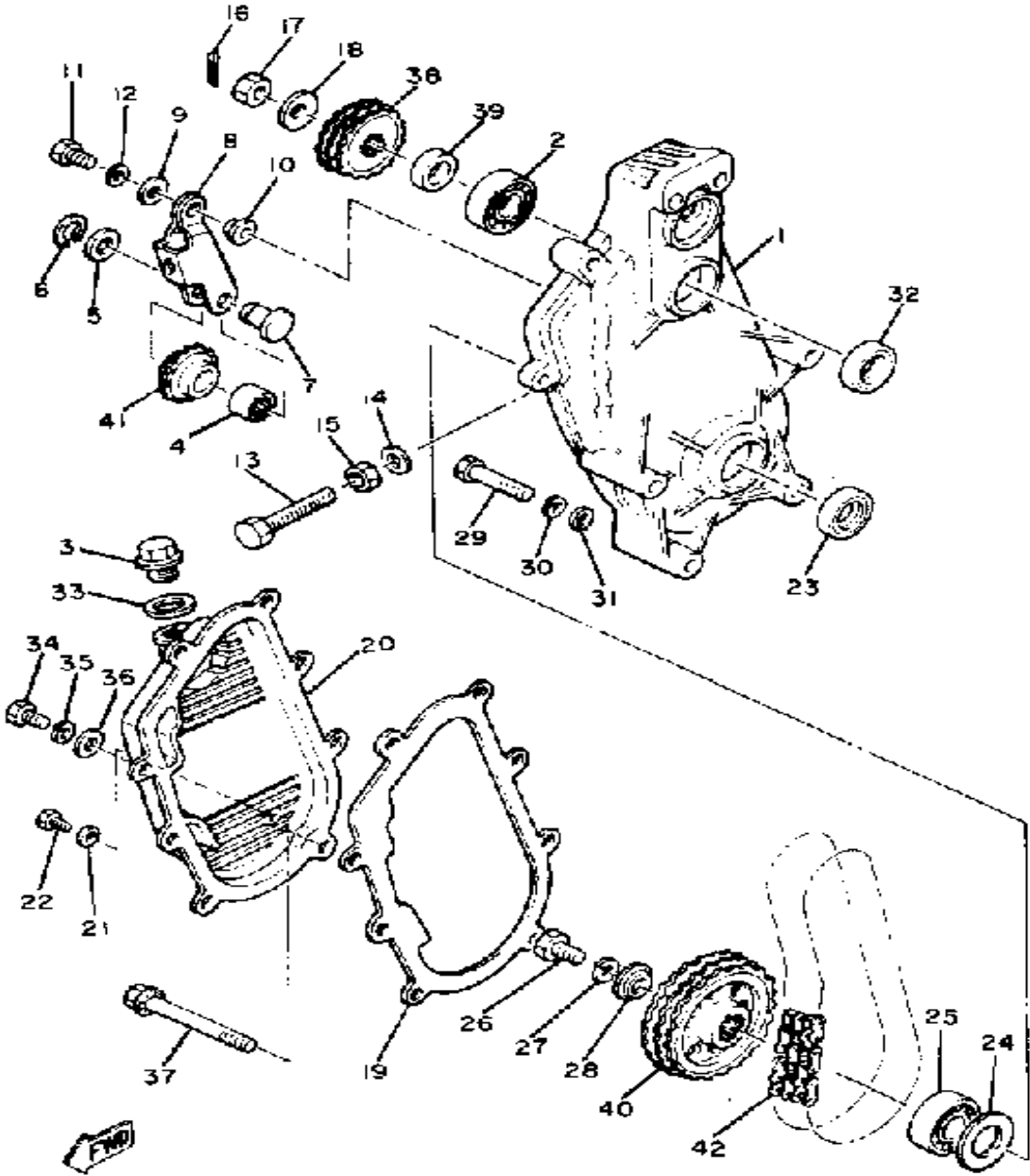
Ref. No.	Part Number	Description	Qty	Remarks
29	97021-08065-00	BOLT	2	
30	92990-08100-00	WASHER	2	
31	92901-08600-00	WASHER	2	
32	93102-27204-00	OIL SEAL	1	
33	90430-22144-00	GASKET	1	
34	97021-06030-00	BOLT	6	
35	92995-06100-00	WASHER, SPRING	6	
36	90201-061A5-00	WASHER, PLATE	6	
37	95811-08090-00	BOLT, FLANGE (95822-08090)	2	
38	829-17682-00-00	SPRKT, CHAIN DR 20T (20T)	1	ALTERNATE PART
	829-17682-50-00	SPRKT, CHAIN DR 15T (878-17682-50) (15T)	1	ALTERNATE PART
	829-17682-60-00	SPRKT, CHAIN DR 16T (16T)	1	ALTERNATE PART
	829-17682-70-00	SPRKT, CHAIN DR 17T (17T)	1	U.R. STD
	829-17682-80-00	SPRKT, CHAIN DR 18T (18T)	1	ALTERNATE PART
	829-17682-90-00	SPRKT, CHAIN DR 19T (878-17682-90) (19T)	1	ALTERNATE PART
	8U9-17693-10-00	SPROCKET, CHAIN DR (878-17693-10) (21T)	1	ALTERNATE PART
	8U9-17693-20-00	SPROCKET, CHAIN DR (878-17693-20) (22T)	1	ALTERNATE PART
39	90387-25798-00	COLLAR	1	
40	(8M6-47548-90-00)	SPROCKET, CHN DRVN	1	ALTERNATE PART
	(8M6-47587-10-00)	SPROCKET, CHN DRVN	1	U.R. STD
	(8M6-47587-20-00)	SPROCKET, CHN DRVN	1	ALTERNATE PART
	(8M6-47587-30-00)	SPROCKET, CHN DRVN	1	ALTERNATE PART
41	8L0-47612-00-00	WHEEL	1	
42	94850-35066-00	CHAIN 66 (RS35V-3 66L)	1	U.R. STD
	94850-35068-00	CHAIN 68 (RS35V-368L)	1	ALTERNATE PART
	94850-35070-00	CHAIN 70 (RS35V-3 70L)	1	ALTERNATE PART

CONTINUED ON NEXT FRAME ►

Property of [www.SmallEngineDiscount.com](http://www.SmallEngineDiscount.com) - Not for Resale

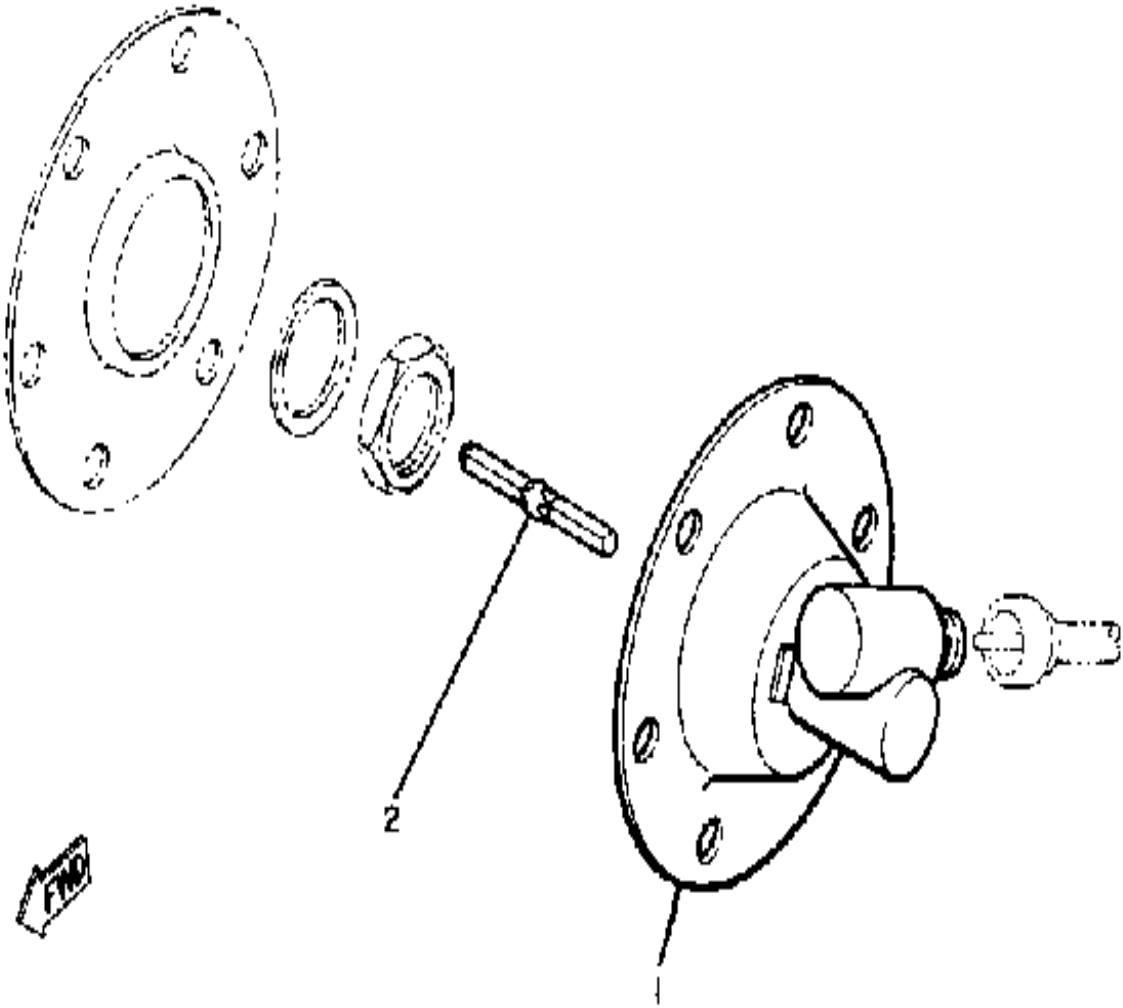
# TRACK DRIVE 2

Ref. No.	Part Number	Description	Qty	Remarks
42	94890-03064-00	CHAIN 8 8 .....	1	ALTERNATE PART



Property of [www.SmallEngineDiscount.com](http://www.SmallEngineDiscount.com) - Not for Resale

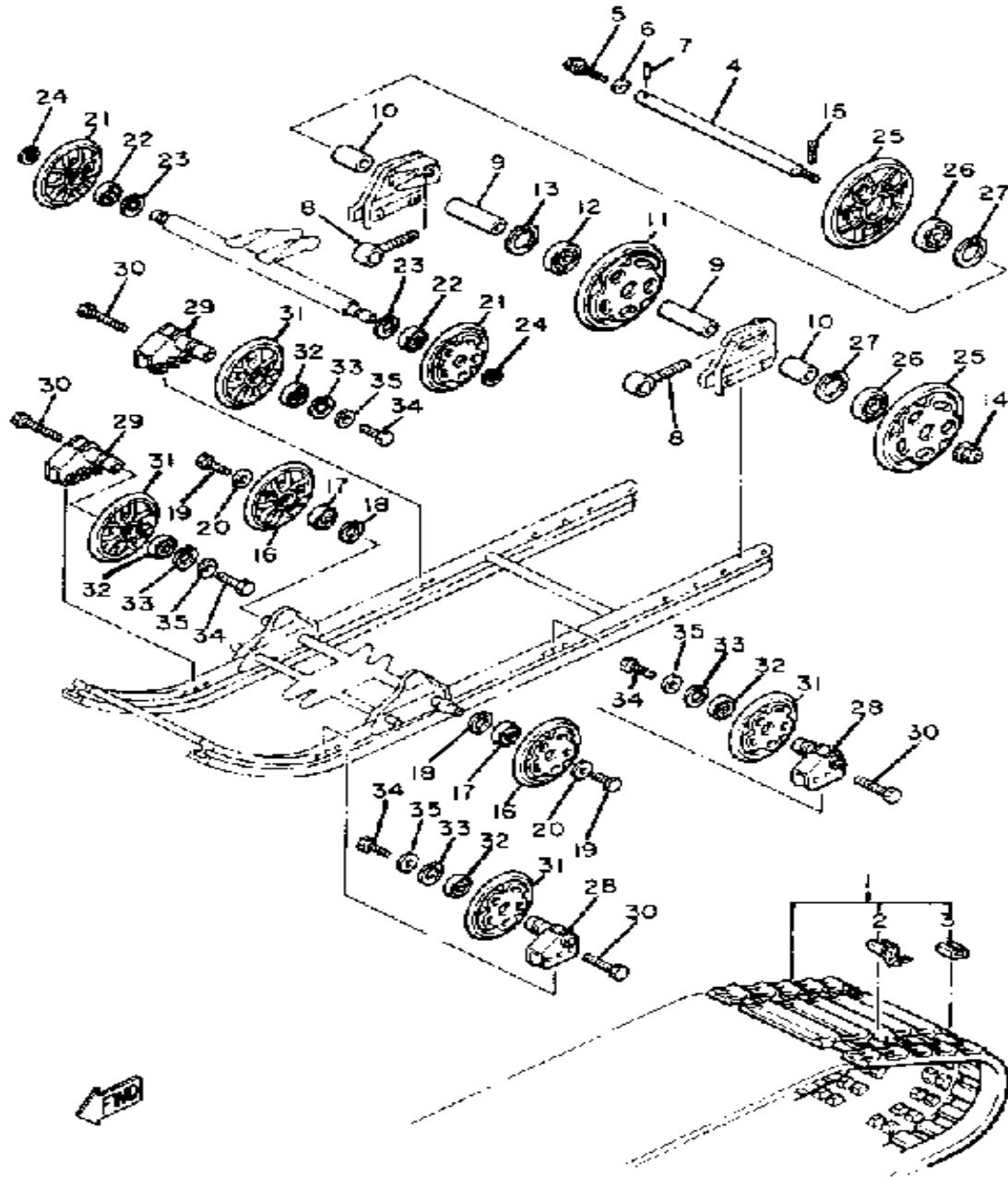
# SPEEDOMETER - GEAR UNIT



Ref. No.	Part Number	Description	Qty	Remarks
1	8L9-47700-00-00	METER GEAR HOUSING COMP	1	
2	8K4-47715-00-00	JOINT .....	1	

Property of [www.SmallEngineDiscount.com](http://www.SmallEngineDiscount.com) - Not for Resale

# TRACK SUSPENSION 1

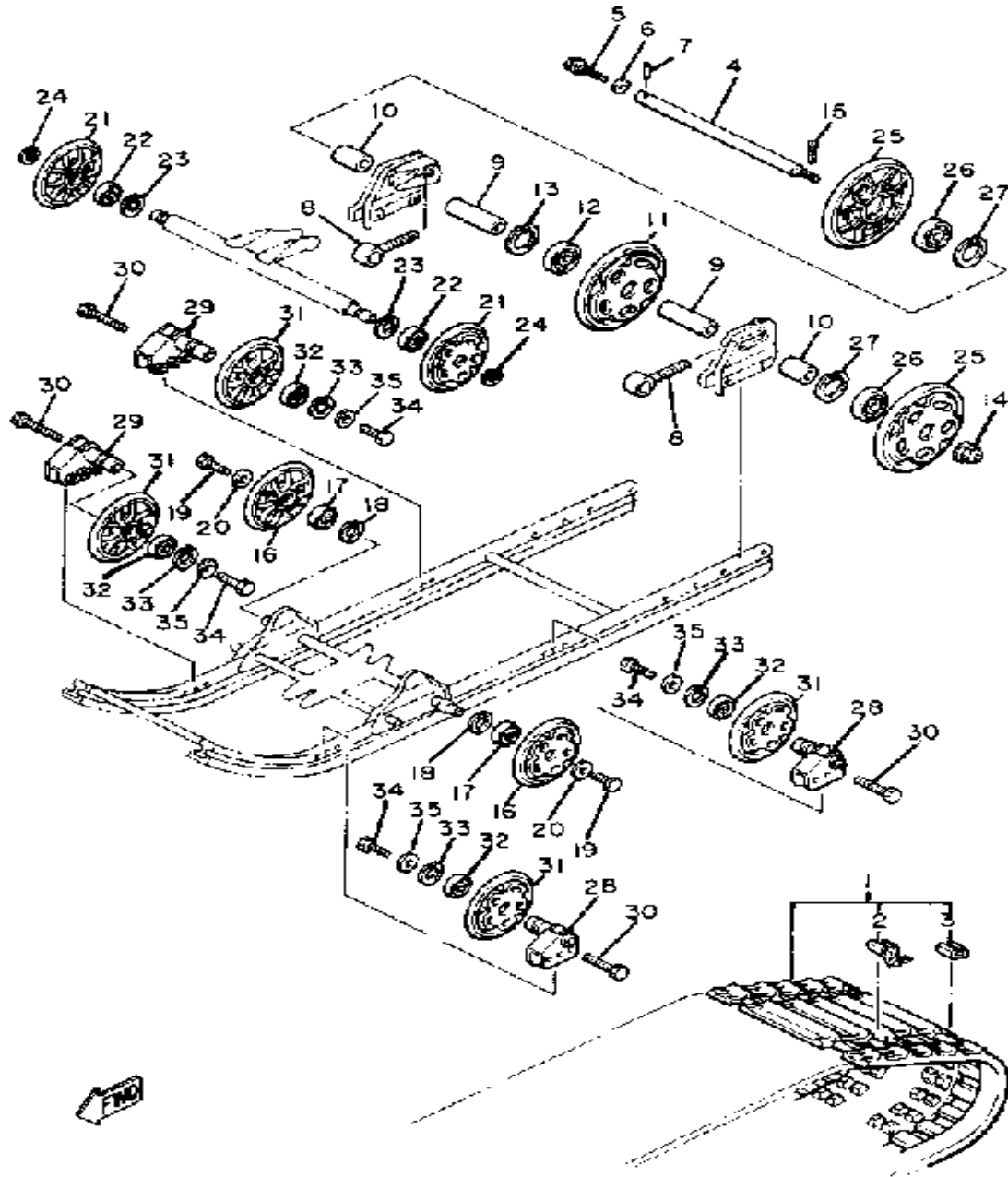


Ref. No.	Part Number	Description	Qty	Remarks
1	87F-47110-01-00	TRACK ASSEMBLY .....	1	
2	8A5-47113-00-00	. PLATE, REINFORCEMENT ..	48	
3	8G9-47115-00-00	. METAL, SLIDE .....	48	
4	8L8-47520-01-00	REAR AXLE COMP. (8L8-47520-02-00) .....	1	
5	95811-12025-00	BOLT, FLANGE .....	1	
6	90201-120A5-00	WASHER, PLATE .....	1	
7	91609-40018-00	PIN, SPRING .....	1	
8	8K2-47479-01-00	COLLAR 3 .....	2	
9	90387-20756-00	COLLAR .....	2	
10	90387-21757-00	COLLAR .....	2	
11	8K2-47530-00-00	GUIDE WHEEL COMP. ....	1	
12	93306-20417-00	BEARING (B62042RS) .....	1	
13	99009-47500-00	CIRCLIP .....	1	
14	95601-14200-00	NUT, U .....	1	
15	91401-30020-00	PIN, COTTER .....	1	
16	87U-47320-00-00	SUSPENSION WHEEL COMP. .	2	
17	93306-00441-00	BEARING (89A) (B6004RS) ...	2	
18	99009-42500-00	CIRCLIP .....	2	
19	90109-08559-00	BOLT .....	2	
20	90201-08681-00	WASHER, PLATE .....	2	
21	87M-47320-00-00	SUSPENSION WHEEL COMP. .	2	
22	93306-00441-00	BEARING (89A) (B6004RS) ...	2	
23	99009-42500-00	CIRCLIP .....	2	
24	99009-20400-00	CIRCLIP .....	2	
25	8M6-47530-00-00	GUIDE WHEEL COMP. ....	2	
26	93306-20417-00	BEARING (B62042RS) .....	2	
27	99009-47500-00	CIRCLIP .....	2	
28	8L8-47418-00-00	BRACKET 4 .....	2	

CONTINUED ON NEXT FRAME ►

Property of [www.SmallEngineDiscount.com](http://www.SmallEngineDiscount.com) - Not for Resale

# TRACK SUSPENSION 1

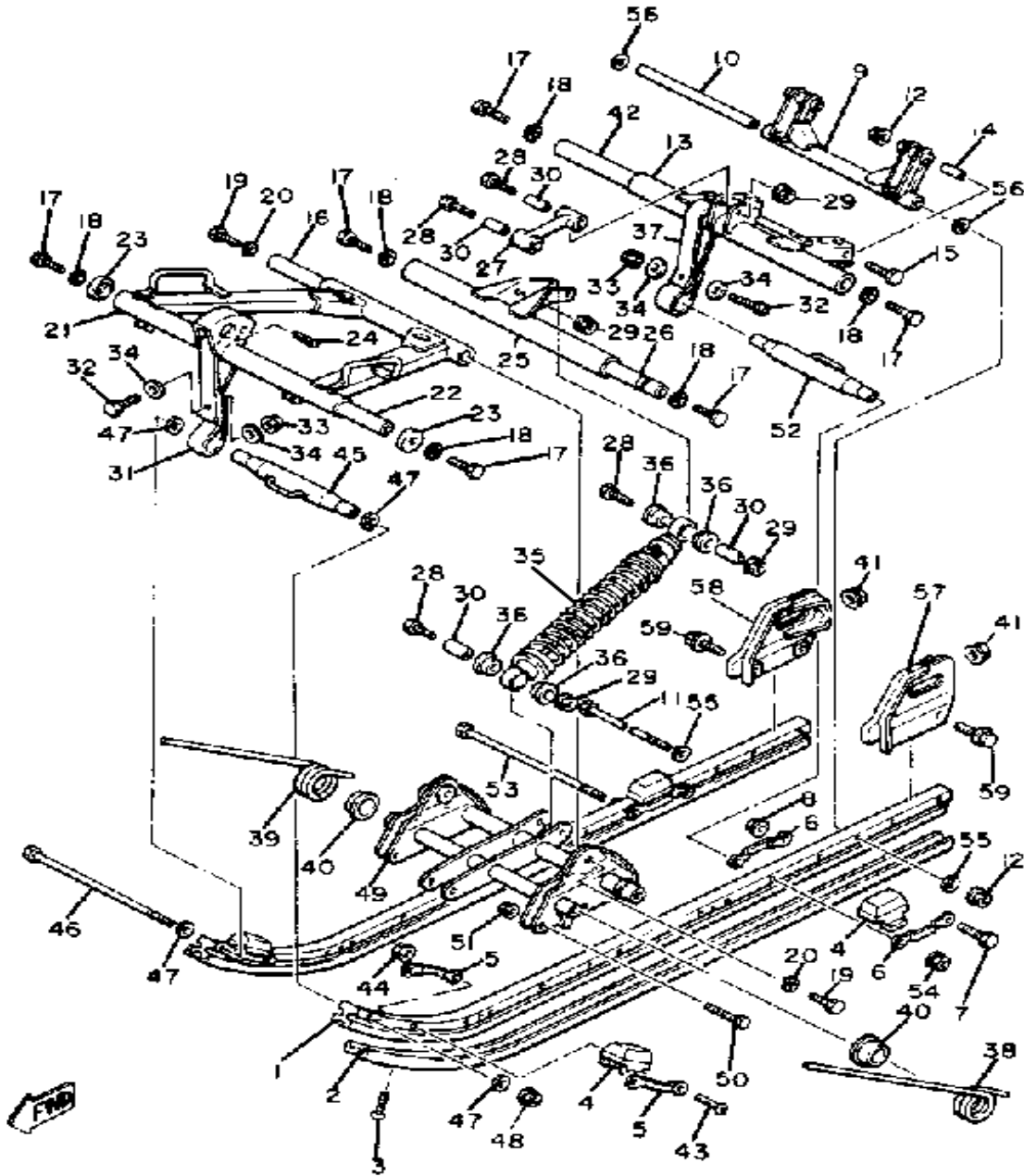


Ref. No.	Part Number	Description	Qty	Remarks
29	8L8-47419-00-00	BRACKET 7	2	
30	90101-06348-00	BOLT	12	
31	87U-47320-00-00	SUSPENSION WHEEL COMP.	4	
32	93306-00441-00	BEARING (89A) (B6004RS)	4	
33	99009-42500-00	CIRCLIP	4	
34	90109-08559-00	BOLT	4	
35	90201-08681-00	WASHER, PLATE	4	

Property of [www.SmallEngineDiscount.com](http://www.SmallEngineDiscount.com) - Not for Resale



# TRACK SUSPENSION 2

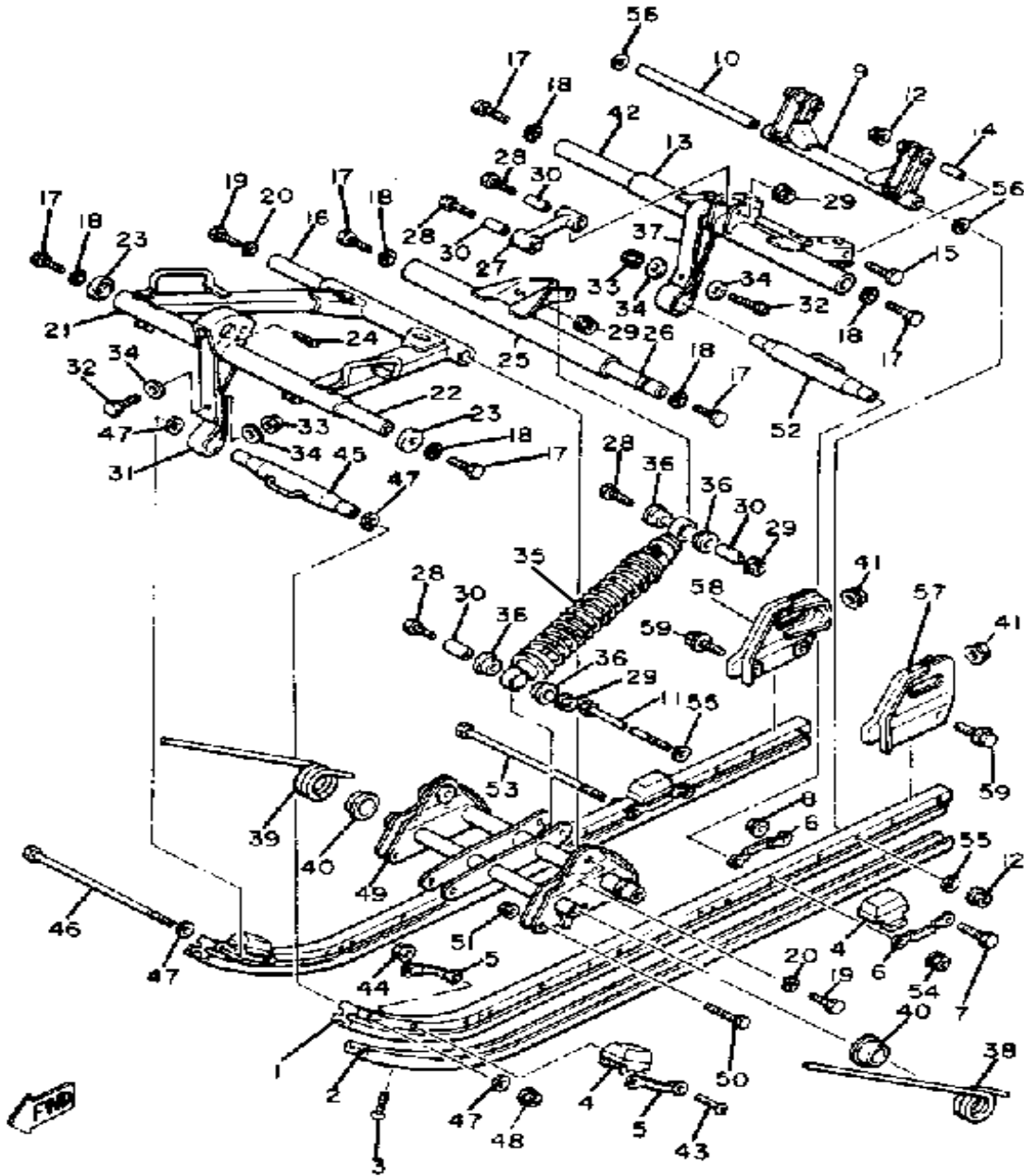


Ref. No.	Part Number	Description	Qty	Remarks
1	8M6-47411-00-00	FRAME, SLIDING 1	2	
2	8R9-47421-00-00	RUNNER, SLIDING 1	2	
3	90151-06010-00	SCREW, COUNTERSUNK	2	
4	8L8-47456-00-00	DAMPER 1	4	
5	885-47458-01-00	PLATE, DAMPER	4	
6	8H8-47458-00-00	PLATE, DAMPER	4	
7	97313-08035-00	BOLT, HEXAGON	2	
8	95712-08300-00	NUT, LOCK	2	
9	8L8-47417-00-00	BRACKET 3	1	
10	90387-08496-00	COLLAR	1	
11	90101-08374-00	BOLT	1	
12	95712-08300-00	NUT, LOCK	3	
13	8K2-47332-01-00	ARM, PIVOT 2	1	
14	90387-08754-00	COLLAR	2	
15	90101-08557-00	BOLT	2	
16	82M-47485-01-00	SHAFT 3	1	
17	97013-10030-00	BOLT (8J7) (97303-10030)	6	
18	92901-10400-00	WASHER, EX.TOOTH	6	
19	97013-10030-00	BOLT (8J7) (97303-10030)	2	
20	92990-10100-00	WASHER, SPRING	2	
21	8K2-47331-00-00	ARM, PIVOT 1	1	
22	885-47465-02-00	SHAFT 1	1	
23	885-47341-00-00	SPACER	2	
24	(91402-30045-00)	PIN, COTTER	2	
25	8K2-47463-00-00	BRACKET 5	1	
26	8L8-47475-00-00	SHAFT 2	1	
27	8K2-47464-00-00	BRACKET 6	1	
28	90101-08557-00	BOLT	4	
29	95712-08300-00	NUT, LOCK	4	

CONTINUED ON NEXT FRAME ►

Property of [www.SmallEngineDiscount.com](http://www.SmallEngineDiscount.com) - Not for Resale

# TRACK SUSPENSION 2

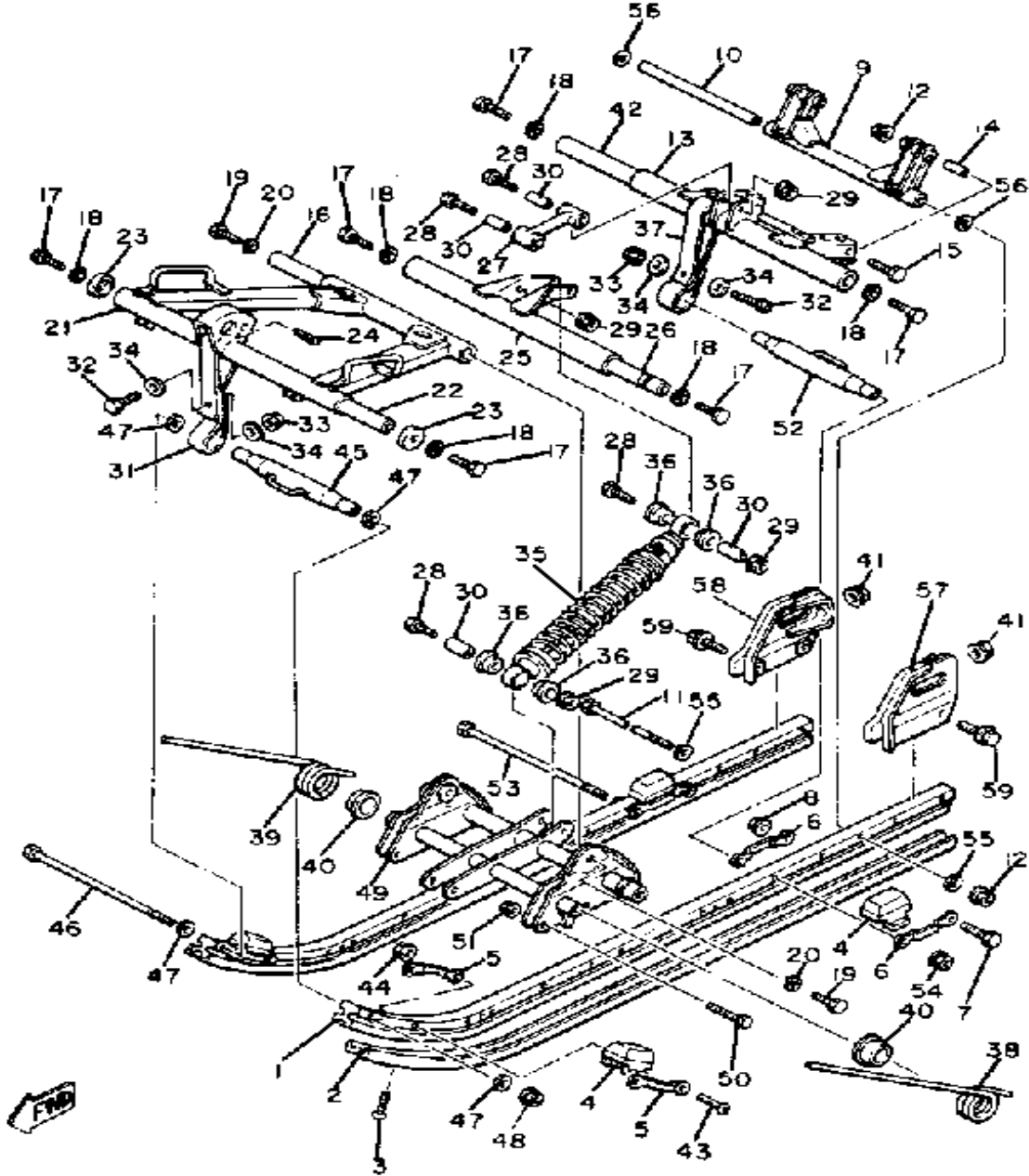


Ref. No.	Part Number	Description	Qty	Remarks
30	90387-08754-00	COLLAR .....	4	
31	8E3-47495-00-00	STOPPER 1 .....	1	
32	97013-06035-00	BOLT .....	2	
33	95701-06300-00	NUT, NYLON .....	2	
34	90201-06407-00	WASHER, PLATE (90201-06747-00) .....	4	
35	8L8-47480-00-00	SHOCK ABSORBER .....	1	
36	90387-13758-00	COLLAR .....	4	
37	888-47495-02-00	STOPPER 1 .....	1	
38	90508-99482-00	SPRING, TORSION .....	1	
39	90508-99483-00	SPRING, TORSION .....	1	
40	90387-30570-00	COLLAR .....	2	
41	95701-10300-00	NUT, FLANGE (95702-10300) ..	2	
42	8L8-47465-00-00	SHAFT 1 .....	1	
43	98501-05030-00	SCREW, PAN HEAD .....	4	
44	95701-05300-00	NUT, NYLON .....	4	
45	899-47415-00-00	BRACKET 1 .....	1	
46	90101-08374-00	BOLT .....	1	
47	92901-08600-00	WASHER .....	4	
48	95712-08300-00	NUT, LOCK .....	1	
49	(8L9-47416-00-00)	BRACKET 2 .....	1	
50	90101-06348-00	BOLT .....	6	
51	95701-06300-00	NUT, NYLON .....	6	
52	8L8-47469-00-00	COLLAR 1 .....	1	
53	90101-08374-00	BOLT .....	1	
54	95712-08300-00	NUT, LOCK .....	1	
55	92901-08600-00	WASHER .....	2	
56	90201-08649-00	WASHER, PLATE .....	2	
57	8L8-47412-00-00	FRAME, SLIDING 2 .....	1	

CONTINUED ON NEXT FRAME ►

Property of [www.SmallEngineDiscount.com](http://www.SmallEngineDiscount.com) - Not for Resale

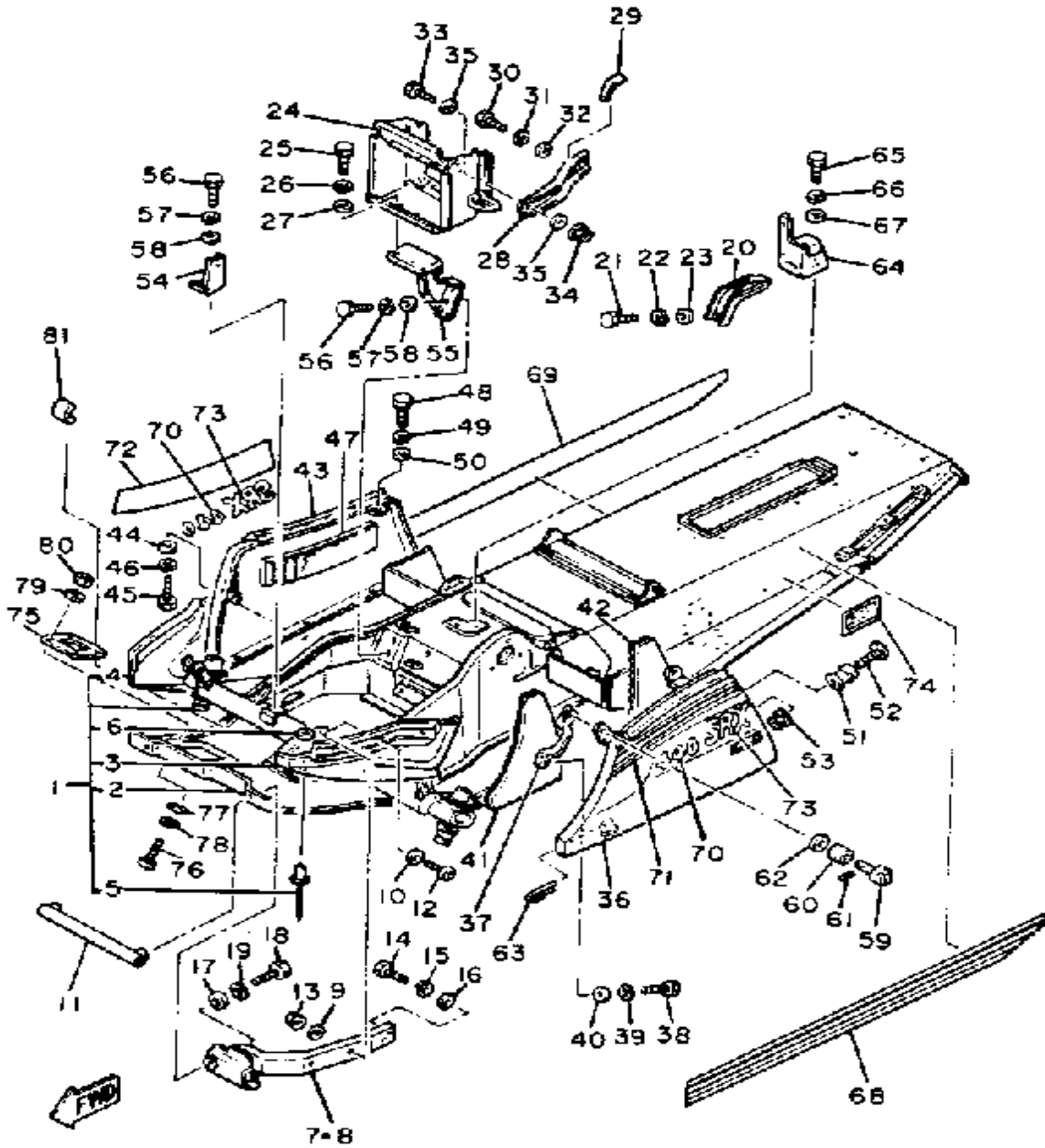
# TRACK SUSPENSION 2



Ref. No.	Part Number	Description	Qty	Remarks
58	8L8-47413-00-00	FRAME, SLIDING 3	1	
59	90119-08008-00	BOLT, WITH WASHER	4	

Property of [www.SmallEngineDiscount.com](http://www.SmallEngineDiscount.com) - Not for Resale

# FRAME

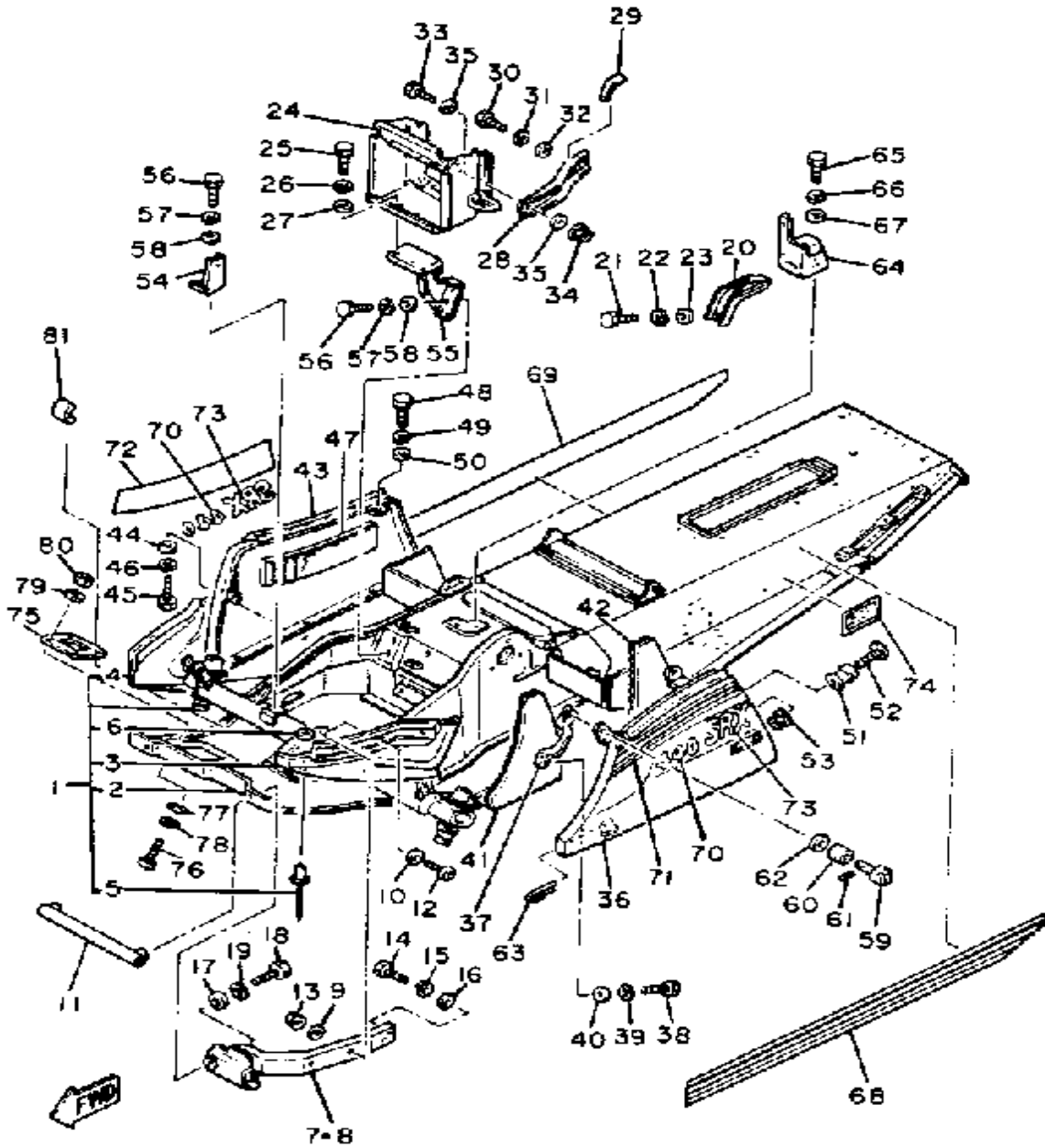


Ref. No.	Part Number	Description	Qty	Remarks
1	(8M6-21910-01-00)	FRAME .....	1	
2	8M6-21912-00-00	. PANEL, SUB FRAME 1 .....	1	
3	8M6-21982-00-00	. HOOD 1 .....	1	
4	8M6-21983-00-00	. HOOD 2 .....	1	
5	90267-48086-00	. RIVET, BLIND .....	16	
6	90201-04325-00	. WASHER, PLATE .....	16	
7	8M6-2194Y-00-00	BRACKET, FRT BMPR 3 .....	1	
8	8M6-2195Y-00-00	BRACKET, FRT BMPR 4 .....	1	
9	90201-061A5-00	WASHER, PLATE .....	4	
10	92990-08200-00	WASHER, PLAIN .....	4	
11	8M6-2191Y-00-00	BRACKET, FRT BMPR 7 .....	1	
12	98980-06030-00	SCREW, BIND .....	4	
13	95701-06500-00	NUT, FLANGE .....	4	
14	97021-06030-00	BOLT .....	4	
15	92995-06100-00	WASHER, SPRING .....	4	
16	90201-061A5-00	WASHER, PLATE .....	4	
17	92990-08200-00	WASHER, PLAIN .....	2	
18	97001-08025-00	BOLT (1NV) .....	2	
19	92990-08100-00	WASHER .....	2	
20	8M6-12491-00-00	CLAMP 1 .....	1	
21	97013-06012-00	BOLT .....	1	
22	92995-06100-00	WASHER, SPRING .....	1	
23	90201-061A5-00	WASHER, PLATE .....	1	
24	8M6-12661-00-00	DUCT .....	1	
25	97026-06012-00	BOLT .....	2	
26	92906-06100-00	WASHER, SPRING .....	2	
27	92906-06200-00	WASHER .....	2	
28	(8M6-12464-00-00)	STAY, RADIATOR .....	1	
29	8M6-77319-00-00	DAMPER 1 .....	1	

CONTINUED ON NEXT FRAME ➤

Property of [www.SmallEngineDiscount.com](http://www.SmallEngineDiscount.com) - Not for Resale

# FRAME

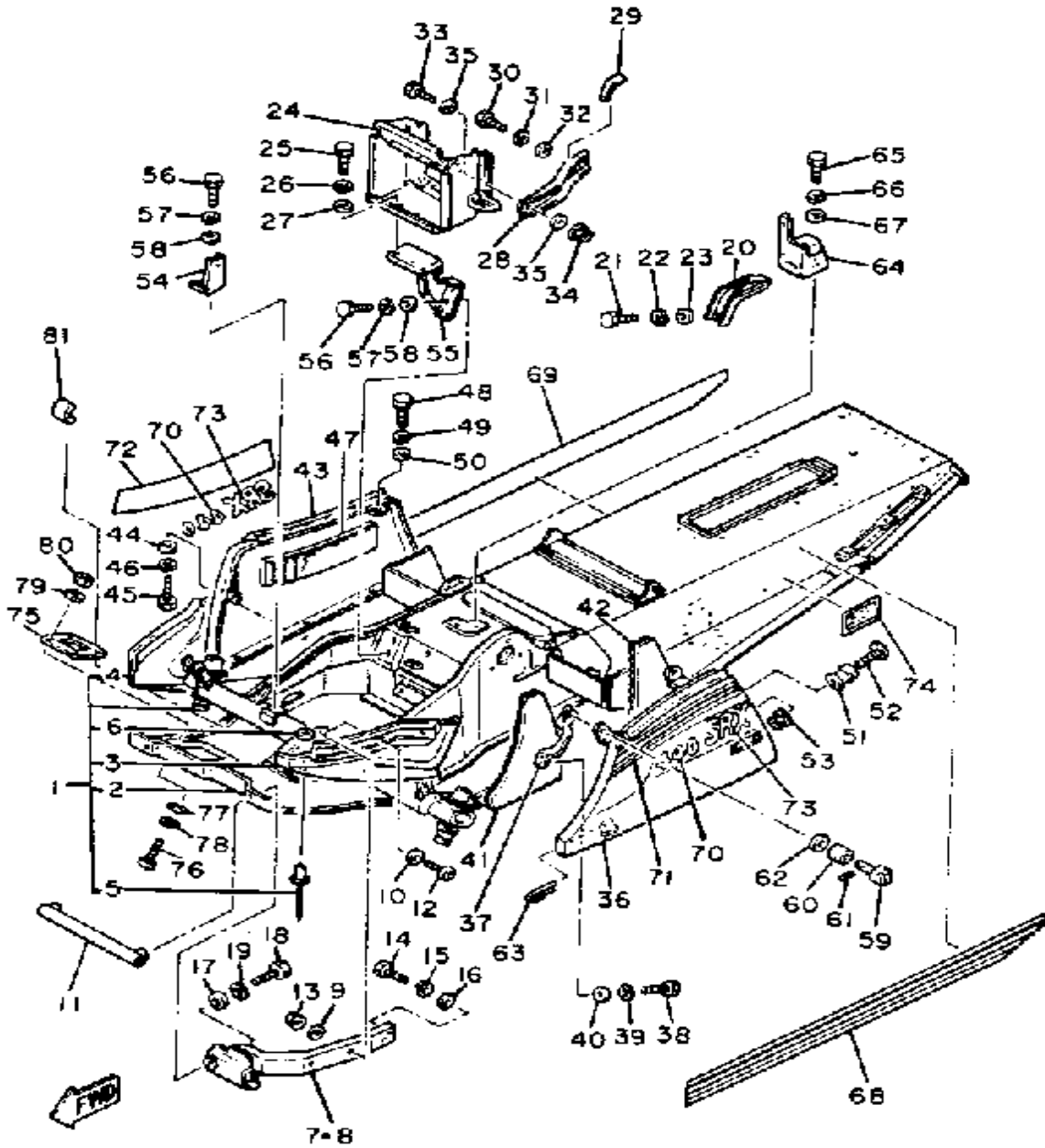


Ref. No.	Part Number	Description	Qty	Remarks
30	97013-06012-00	BOLT	2	
31	92995-06100-00	WASHER, SPRING	2	
32	92990-06200-00	WASHER	2	
33	97313-06016-00	BOLT, HEXAGON	1	
34	95701-06300-00	NUT, NYLON	1	
35	92990-06200-00	WASHER	2	
36	8M6-2197A-00-00	HOOD ASSEMBLY 3	1	
37	8M6-2194T-00-00	PROTC, AJST SCRW 1	1	
38	97013-06012-00	BOLT	2	
39	92995-06100-00	WASHER, SPRING	2	
40	90201-061A5-00	WASHER, PLATE	2	
41	8M6-77271-00-00	DAMPER, NOISE 1	1	
42	8M6-77272-00-00	DAMPER, NOISE 2	1	
43	8M6-2198A-00-00	HOOD ASSEMBLY 4	1	
44	90201-062A8-00	WASHER, PLATE	3	
45	97016-06016-00	BOLT	3	
46	92906-06100-00	WASHER, SPRING	3	
47	8M6-77273-00-00	DAMPER, NOISE 3	1	
48	97013-06012-00	BOLT	2	
49	92995-06100-00	WASHER, SPRING	2	
50	90201-06M08-00	WASHER, PLATE	2	
51	8M6-77175-00-00	HOLDER, LATCH	2	
52	98906-06030-00	SCREW, BIND	2	
53	95701-06500-00	NUT, FLANGE	2	
54	(8M6-2172K-00-00)	BRACKET 1	1	
55	(8M6-2172L-00-00)	BRACKET 2	1	
56	97013-06012-00	BOLT	4	
57	92995-06100-00	WASHER, SPRING	4	
58	90201-061A5-00	WASHER, PLATE	4	

CONTINUED ON NEXT FRAME ➤

Property of [www.SmallEngineDiscount.com](http://www.SmallEngineDiscount.com) - Not for Resale

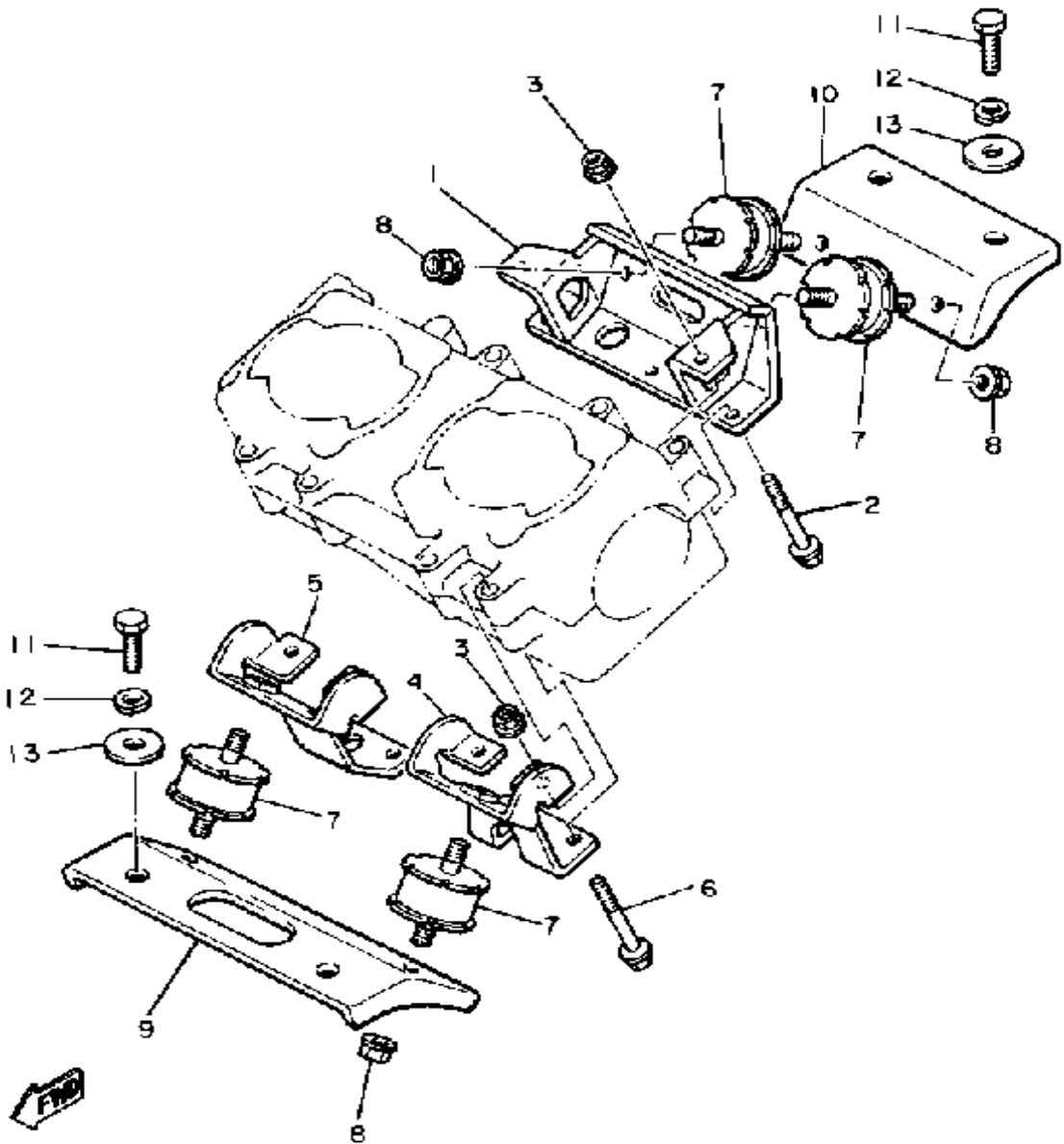
# FRAME



Ref. No.	Part Number	Description	Qty	Remarks
59	8A5-77324-00-00	KNOB	2	
60	90385-08009-00	BUSH, SPEC'L RUBBER	2	
61	91609-40024-00	PIN, SPRING (91609-40025-00)	2	
62	90201-08104-00	WASHER, PLATE	2	
63	8A7-77157-00-00	PIN, HINGE	2	
64	8M6-2194R-00-00	BRACKET, FUEL TNK 2	1	
65	97013-06012-00	BOLT	2	
66	92995-06100-00	WASHER, SPRING	2	
67	90201-061A5-00	WASHER, PLATE	2	
68	8M6-77351-00-00	EMBLEM 1	1	
69	8M6-77352-00-00	EMBLEM 2	1	
70	(8M6-77353-00-00)	EMBLEM 3	2	
71	(8M6-77354-00-00)	EMBLEM 4	1	
72	(8M6-77355-00-00)	EMBLEM 5	1	
73	(8M6-77356-00-00)	EMBLEM 6	2	
74	8K2-77742-00-00	INDICATOR 2	1	
75	8M6-21917-00-00	PANEL, SUB FRAME 6	2	
76	98516-05012-00	SCREW, PAN HEAD 4CG	8	
77	92906-05600-00	WASHER, PLATE	8	
78	92990-05100-00	WASHER, SPRING	8	
79	92901-05600-00	WASHER, PLATE	8	
80	95380-05600-00	NUT	8	
81	(8M6-W0070-10-00)	GRAPHIC SET	1	WITH -
	8M6-77162-00-00	STRIP, WEATHER 2	1	

Property of [www.SmallEngineDiscount.com](http://www.SmallEngineDiscount.com) - Not for Resale

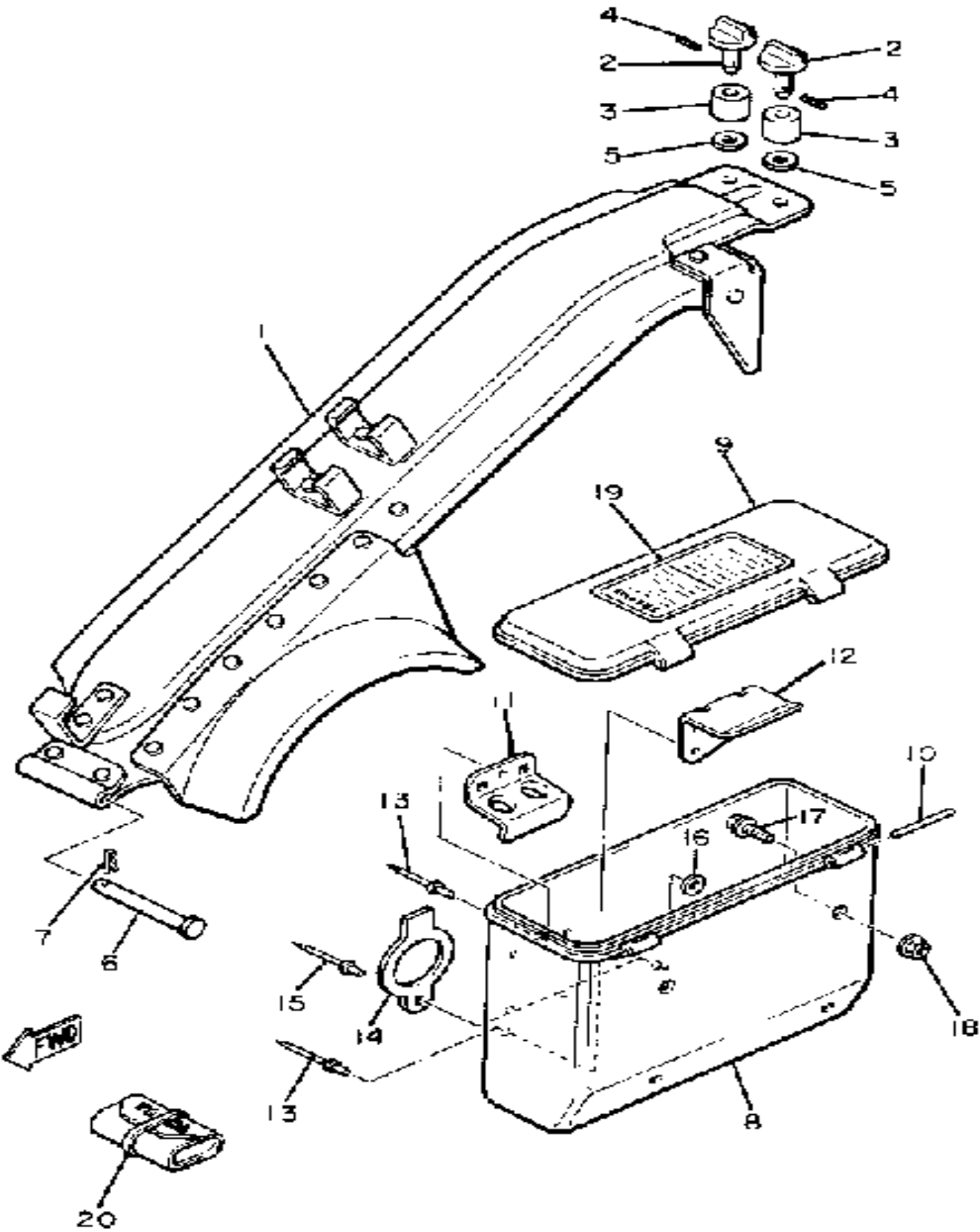
# ENGINE BRACKET



Ref. No.	Part Number	Description	Qty	Remarks
1	8M6-21411-00-00	BRACKET, ENGINE 1	1	
2	95811-08070-00	BOLT, FLANGE	3	
3	95701-08500-00	NUT, FLANGE	7	
4	99999-01200-00	BRACKET, ENG 2	1	
5	8M6-21429-01-00 (8M6-21429-00)	BRACKET, ENGINE 3	1	
6	95811-08080-00	BOLT, FLANGE	4	
7	8M6-21486-01-00	DAMPER 2	4	
8	95701-10500-00	NUT, FLANGE (95702-10500)	6	
9	8M6-21415-00-00	BRACKET, FRT UPR 1	1	
10	8M6-21425-00-00	BRACKET, REAR UPR 1	1	
11	97011-10025-00	BOLT	4	
12	92990-10100-00	WASHER, SPRING	4	
13	90201-10321-00	WASHER, PLATE	4	

Property of [www.SmallEngineDiscount.com](http://www.SmallEngineDiscount.com) - Not for Resale

# GAURD - LUGGAGE BOX

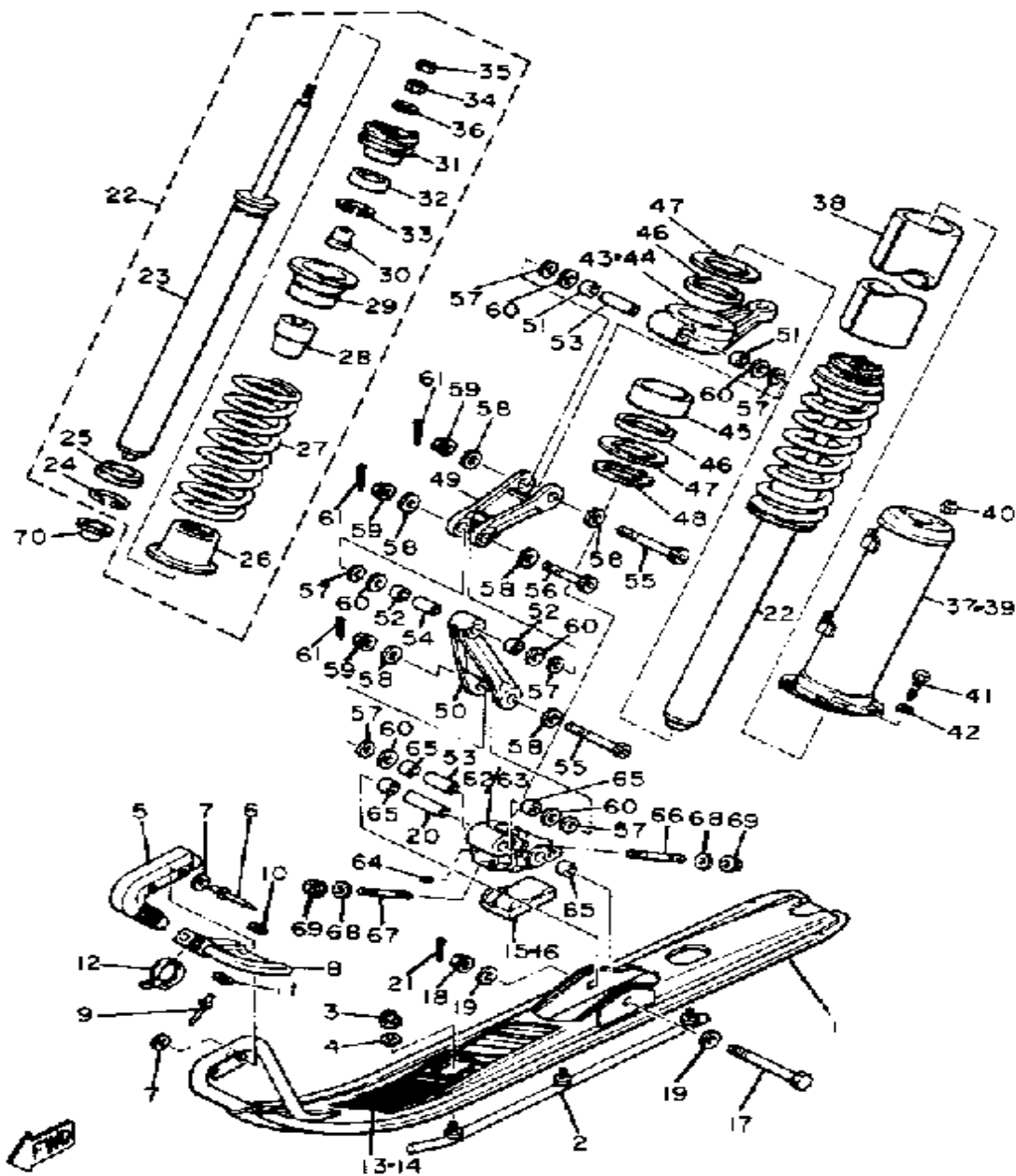


Ref. No.	Part Number	Description	Qty	Remarks
1	8M6-77311-02-00	GUARD, DRIVE (8M6-77311-01)	1	
2	(829-77324-00-00)	KNOB	2	
3	90385-08009-00	BUSH, SPEC'L RUBBER	2	
4	91609-40018-00	PIN, SPRING	2	
5	90201-08104-00	WASHER, PLATE	2	
6	91702-06070-00	PIN, CLEVIS	1	
7	90468-18008-00	CLIP	1	
8	8M6-77391-00-00	LUGGAGE BOX	1	
9	8M6-77392-00-00	COVER, LUGGAGE BOX	1	
10	90249-03021-00	PIN, SPEC'L SHAPE	2	
11	8H8-77376-00-00	BRACKET, SPARK PLUG	1	
12	8H8-28175-00-00	HOLDER, TOOL	1	
13	90267-48057-00	RIVET, BLIND	5	
14	8M6-77386-00-00	INACTIVE PART NUMBER	1	
15	90267-48086-00	RIVET, BLIND	1	
16	90201-04325-00	WASHER, PLATE	1	
17	95811-06012-00	BOLT, FLANGE	4	
18	95701-06500-00	NUT, FLANGE	4	
19	8M6-77743-00-00	INDICATOR 3	1	
20	8G6-28100-00-00	TOOL KIT (8G6-28100-10)	1	

Property of [www.SmallEngineDiscount.com](http://www.SmallEngineDiscount.com) - Not for Resale



# SKI

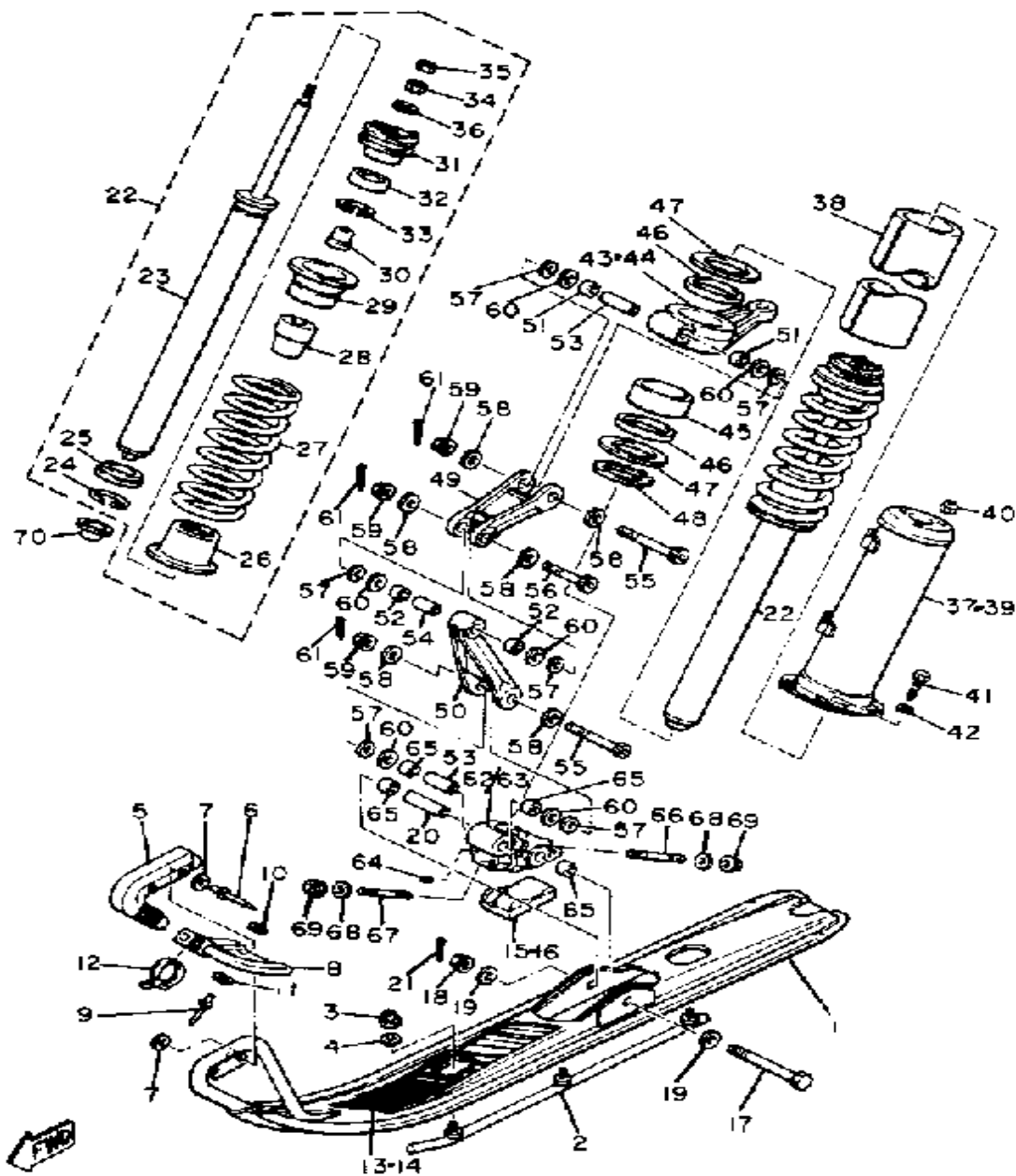


Ref. No.	Part Number	Description	Qty	Remarks
1	8M6-23710-01-00	SKI 1 (8M6-23710-00)	2	
2	8M6-23731-00-XX	SKI RUNNER, 1 (8M6-23731-00)	2	
3	95611-08100-00	NUT, U	6	
4	92901-08600-00	WASHER	6	
5	8M6-23747-00-00	PROTECTOR, SKI	2	
6	90267-40029-00	RIVET, BLIND	8	
7	90201-042E0-00	WASHER, PLATE	4	
8	8M6-23748-00-00	PROTECTOR, SKI 2	2	
9	90267-40029-00	RIVET, BLIND	4	
10	90201-042E0-00	WASHER, PLATE	2	
11	90201-047A2-00	WASHER, PLATE	4	
12	90465-13169-00	CALMP	2	
13	(8M6-77365-00-00)	EMBLEM 0	1	
14	(8M6-77366-00-00)	EMBLEM 1	1	
15	8L0-23743-01-00	STOPPER 1	1	
16	8L0-23744-01-00	STOPPER 2	1	
17	90102-10040-00	BOLT, WITH HOLE	2	
18	95706-10300-00	NUT, NYLON	2	
19	92906-10600-00	WASHER	4	
20	90387-10090-00	COLLAR	2	
21	91490-20020-00	PIN, COTTER	2	
22	8L9-2376A-00-00	ABSORBER ASSEMBLY 1	2	
23	8L9-22401-00-00	. DAMPER SUB-ASSEMBLY.	1	
24	93440-36087-00	. CIRCLIP, OUTER	1	
25	(8L9-23768-00-00)	SEAT, SPRING 1	1	
26	8L9-23777-00-00	. SEAT, SPRING 2	1	
27	90501-75612-00	. SPRING, COMPRESSION	1	
28	8L0-22493-00-00	. BUMP, STOP	1	
29	8L0-23788-00-00	. PLATE, BACK UP	1	

CONTINUED ON NEXT FRAME ➤

Property of [www.SmallEngineDiscount.com](http://www.SmallEngineDiscount.com) - Not for Resale

# SKI

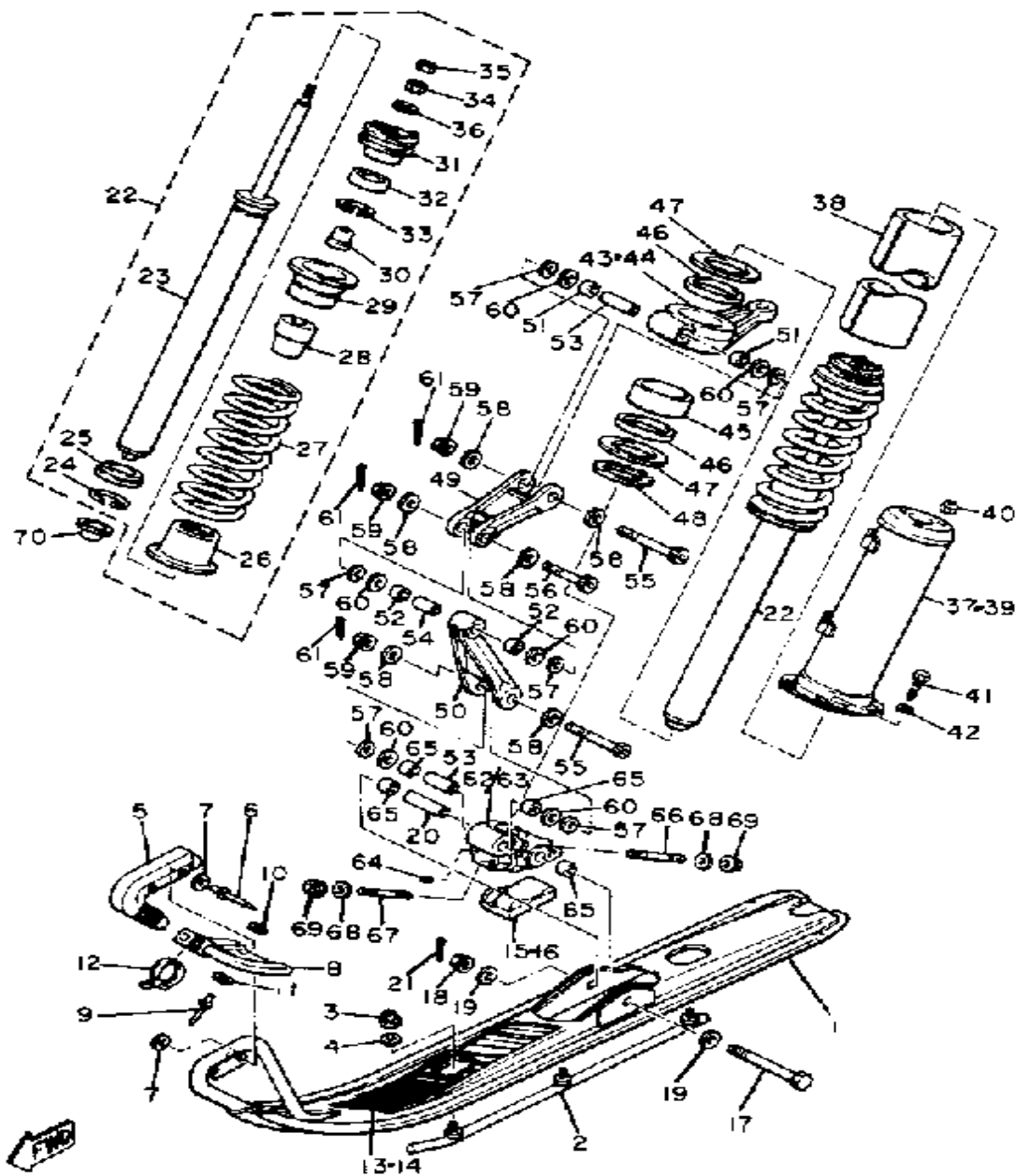


Ref. No.	Part Number	Description	Qty	Remarks
30	90387-100A5-00	. COLLAR	1	
31	8L0-2376H-00-00	. HOLDER, BEARING	1	
32	93306-20226-00	. BEARING	1	
33	99009-35500-00	. CIRCLIP	1	
34	90170-08220-00	. NUT	1	
35	95333-08600-00	. NUT	1	
36	90201-08107-00	. WASHER, PLATE	1	
37	8M6-2376J-01-00	HOLDER, ABSORBER (8M6-2376J-00)	1	
38	8L0-2376R-00-00	PROTECTOR	2	
39	8M6-2377J-00-00	HOLDER, ABSORBER 2	1	
40	95601-06100-00	NUT, U	6	
41	97011-06020-00	BOLT	8	
42	92995-06100-00	WASHER, SPRING	8	
43	(8M6-23851-00-00)	ARM, OUTSIDE 1	1	
44	(8M6-23852-00-00)	ARM, OUTSIDE 2	1	
45	90384-53175-00	BUSH, BIMETAL FORMED	2	
46	93210-52312-00	O-RING	4	
47	90201-536A1-00	WASHER, PLATE (T=1.0)	4	
48	93410-52061-00	CIRCLIP	2	
49	8M6-2382E-00-00	ARM, FRONT 1	2	
50	8M6-2382F-00-00	ARM, FRONT 2	2	
51	90384-14091-00	BUSH, BIMETAL FORMED	4	
52	90384-14096-00	BUSH, BIMETAL FORMED	4	
53	90387-101Y9-00	COLLAR	4	
54	90387-100A4-00	COLLAR	2	
55	90110-10037-00	BOLT, HEX SKT HEAD	4	
56	90110-10036-00	BOLT, HEX SKT HEAD	2	
57	90201-105A8-00	WASHER, PLATE	12	

CONTINUED ON NEXT FRAME ►

Property of [www.SmallEngineDiscount.com](http://www.SmallEngineDiscount.com) - Not for Resale

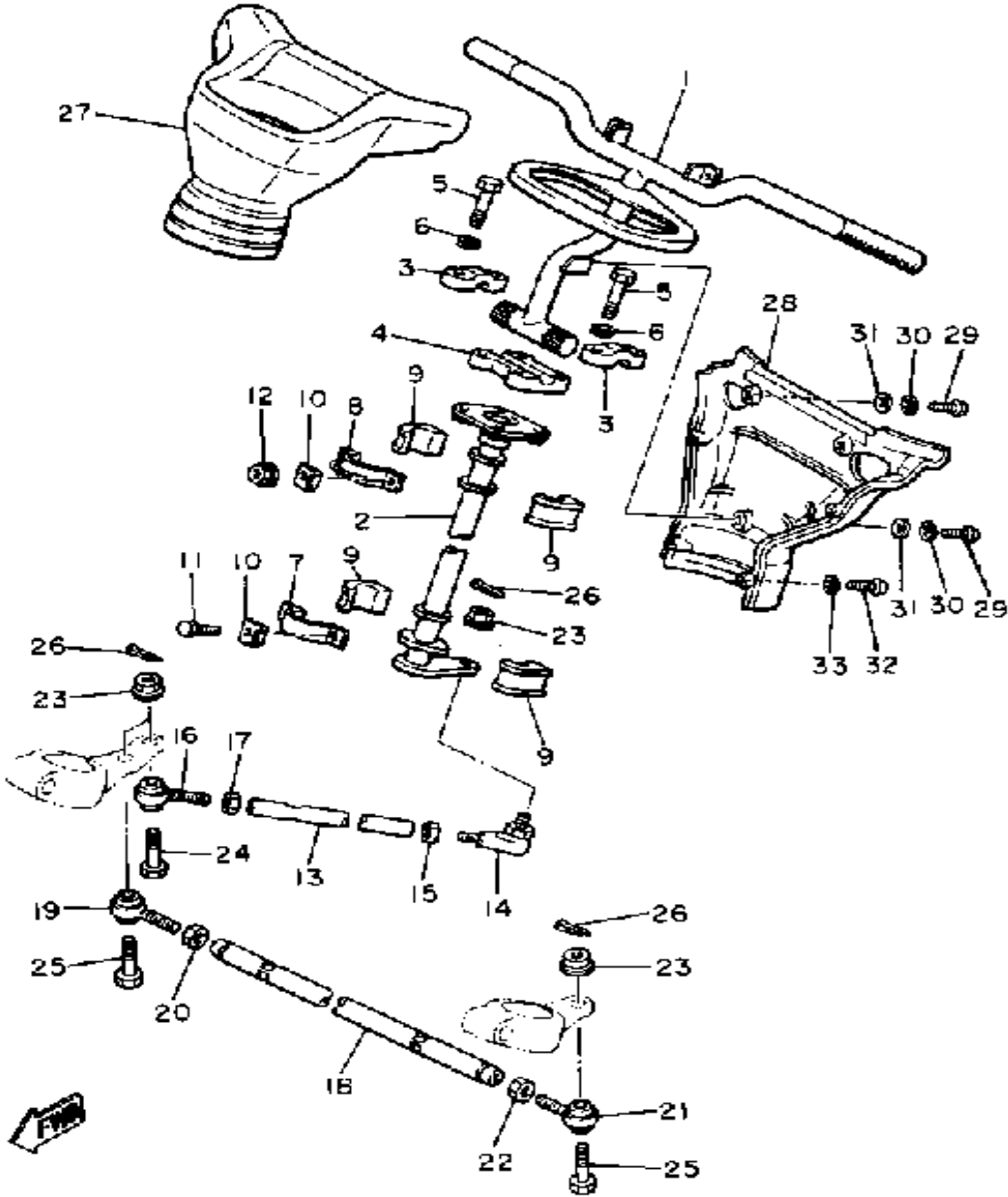
# SKI



Ref. No.	Part Number	Description	Qty	Remarks
58	90201-115A7-00	WASHER, PLATE .....	12	
59	95706-10300-00	NUT, NYLON .....	6	
60	90202-14037-00	WASHER, PLATE .....	12	
61	91490-20020-00	PIN, COTTER .....	6	
62	8L9-2376E-00-00	BRACKET, 1 (L.H) .....	1	
63	8L9-2377E-00-00	BRACKET 2 (R.H) .....	1	
64	90113-06039-00	BOLT, SET .....	2	
65	90384-14091-00	BUSH, BIMETAL FORMED .....	8	
66	90116-08323-00	BOLT, STUD .....	2	
67	95611-08640-00	BOLT, STUD .....	2	
68	92901-08600-00	WASHER .....	4	
69	95712-08300-00	NUT, LOCK .....	4	
70	8L0-23741-00-00	CAP 1 .....	2	

Property of [www.SmallEngineDiscount.com](http://www.SmallEngineDiscount.com) - Not for Resale

# STEERING

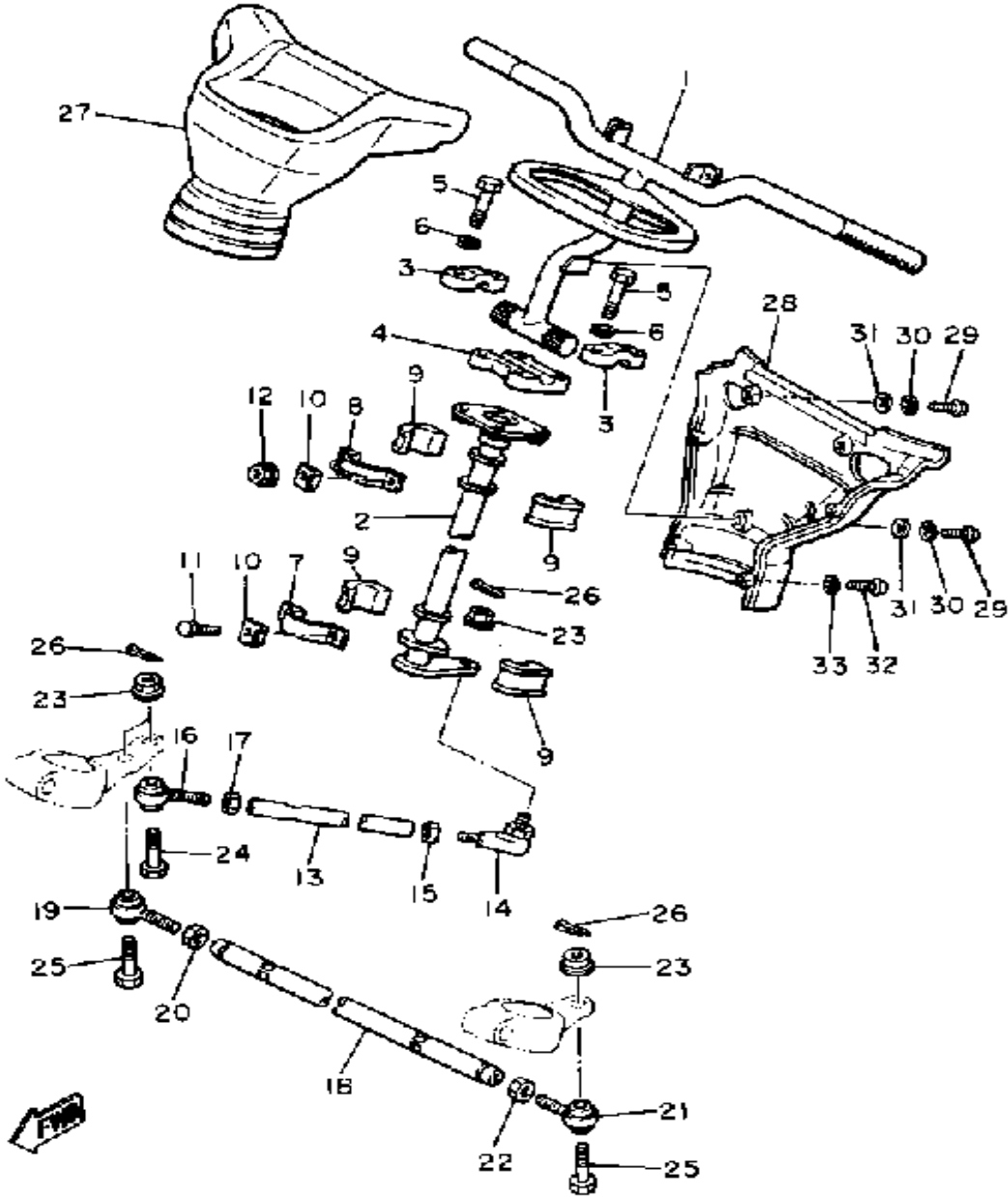


Ref. No.	Part Number	Description	Qty	Remarks
1	81R-23811-00-00	COLUMN, STEERING	1	
2	8M6-23813-00-00	COLUMN, STEERING 2	1	
3	1E6-23441-00-00	HOLDER, HANDLE UPR	2	
4	164-23441-00-38	HOLDER HANDLE UPR	1	
5	97321-08055-00	BOLT, HEXAGON	4	
6	92990-08100-00	WASHER	4	
7	84M-23868-00-00	BRACKET, STEERING LOWER	1	
8	84M-23872-00-00	HOLDER, BEARING	1	
9	8F3-23812-00-00	PLANE BEARING, STEERING	4	
10	90215-08262-00	WASHER, LOCK	4	
11	97313-08016-00	BOLT, HEXAGON	2	
12	95712-08300-00	NUT, LOCK	2	
13	8M6-23821-00-00	ROD, STEERING RELAY	1	
14	86X-23841-00-00	JOINT, UNIVERSAL 1	1	
15	95303-10700-00	NUT	1	
16	87S-23847-00-00	JOINT, UNIVERSAL 3	1	
17	90170-10186-00	NUT	1	
18	8M6-23831-00-00	ROD, TIE	1	
19	87S-23847-00-00	JOINT, UNIVERSAL 3	1	
20	90170-10186-00	NUT	1	
21	87S-23845-00-00	JOINT, UNIVERSAL 2	1	
22	95303-10700-00	NUT	1	
23	95706-10300-00	NUT, NYLON	4	
24	90102-10031-00	BOLT, WITH HOLE	1	
25	90102-10044-00	BOLT, WITH HOLE	2	
26	91490-20020-00	PIN, COTTER	4	
27	8L8-23815-01-00	PAD, STEERING	1	
28	99999-01429-00	PAD KIT (8L8-23817-01)	1	
29	98516-05012-00	SCREW, PAN HEAD 4CG	3	

CONTINUED ON NEXT FRAME ➤

Property of [www.SmallEngineDiscount.com](http://www.SmallEngineDiscount.com) - Not for Resale

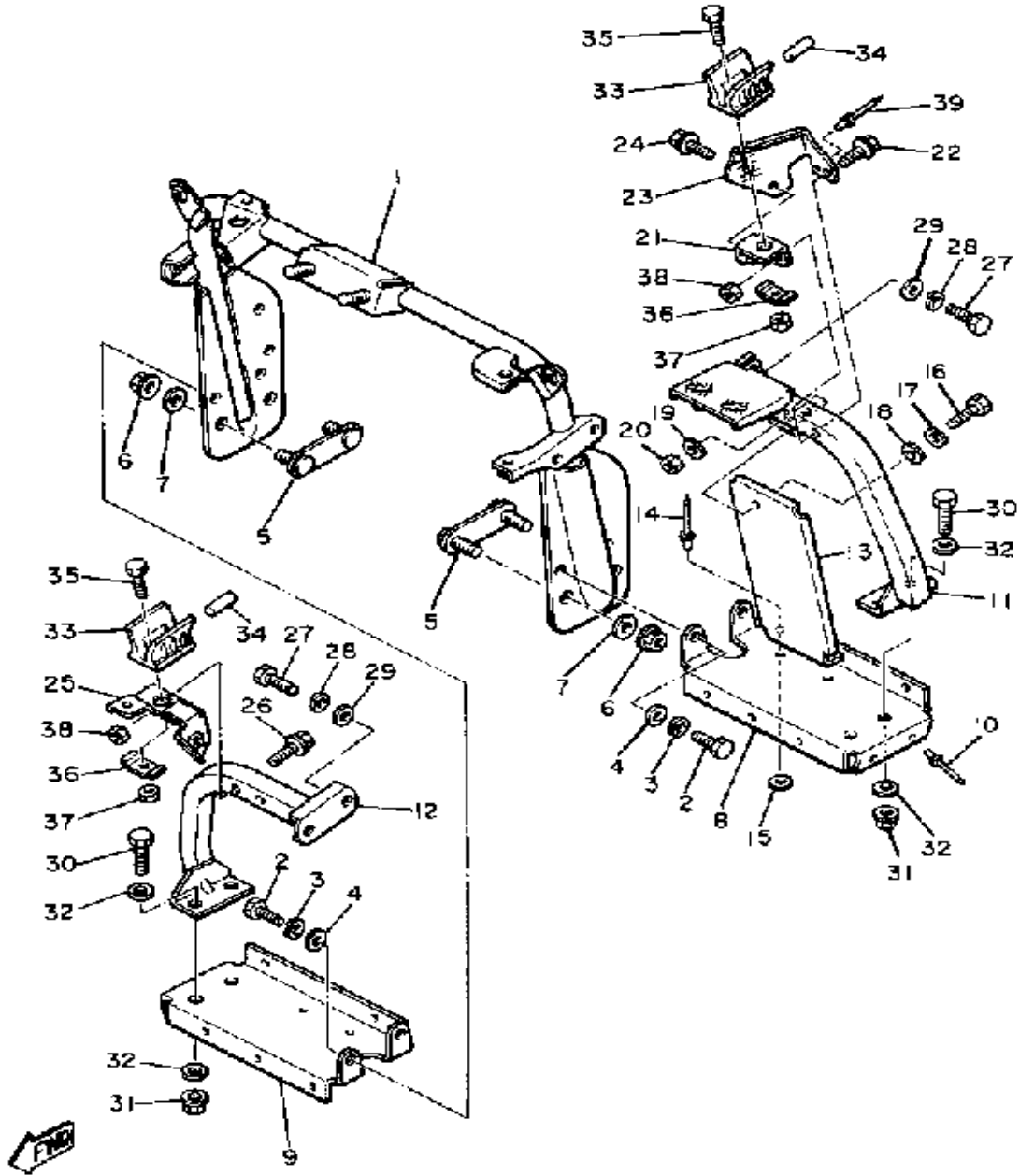
# STEERING



Ref. No.	Part Number	Description	Qty	Remarks
30	92906-05100-00	WASHER, SPRING .....	3	
31	92906-05600-00	WASHER, PLATE .....	3	
32	98506-04010-00	SCREW, PAN HEAD .....	4	
33	92906-04100-00	WASHER, SPRING .....	4	

Property of [www.SmallEngineDiscount.com](http://www.SmallEngineDiscount.com) - Not for Resale

# STEERING GATE

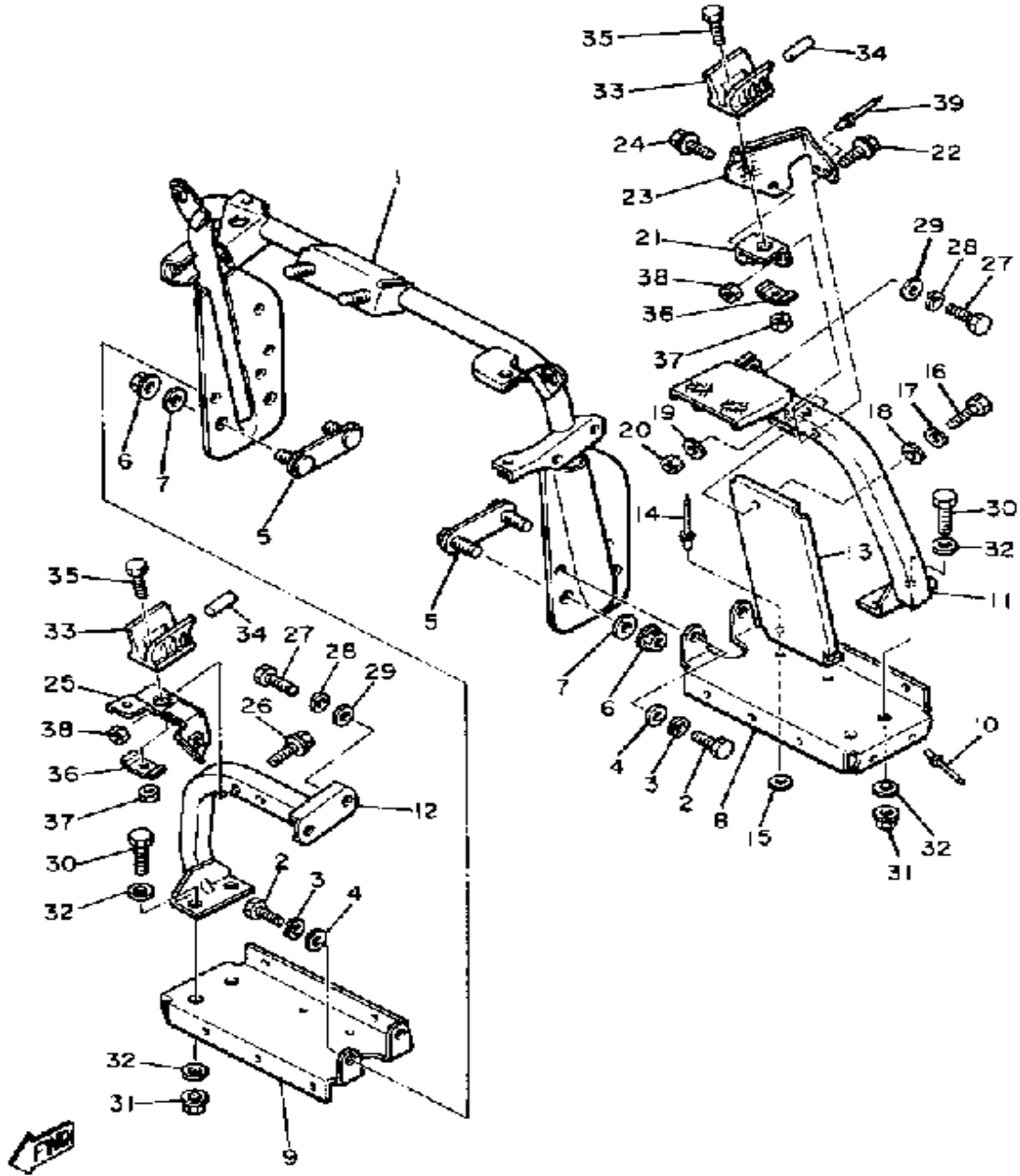


Ref. No.	Part Number	Description	Qty	Remarks
1	8M6-23870-00-00	STEERING GATE .....	1	
2	97313-06016-00	BOLT, HEXAGON .....	4	
3	92995-06100-00	WASHER, SPRING .....	4	
4	92990-06200-00	WASHER .....	4	
5	8M6-23878-00-00	BRACKET 0 .....	2	
6	95712-08300-00	NUT, LOCK .....	4	
7	92990-08200-00	WASHER, PLAIN .....	4	
8	8M6-23883-00-00	BRACKET 3 .....	1	
9	8M6-23884-00-00	BRACKET 4 .....	1	
10	90267-48053-00	RIVET, BLIND .....	14	
11	(8M6-23885-01-00)	BRACKET 5 .....	1	
12	8M6-23886-00-00	BRACKET 6 .....	1	
13	8M6-23881-00-00	BRACKET 1 .....	1	
14	90267-48079-00	RIVET, BLIND .....	2	
15	90201-04325-00	WASHER, PLATE .....	2	
16	97023-06020-00	BOLT (3XF) .....	1	
17	92995-06100-00	WASHER, SPRING .....	1	
18	90201-061A5-00	WASHER, PLATE .....	1	
19	90201-061A5-00	WASHER, PLATE .....	1	
20	95380-06600-00	NUT .....	1	
21	8M6-23887-00-00	BRACKET 7 .....	1	
22	95811-06030-00	BOLT, FLANGE .....	1	
23	8M6-23888-01-00	BRACKET 8 (8M6-23888-00) ..	1	
24	95811-06010-00	BOLT, FLANGE .....	1	
25	8M6-23889-01-00	BRACKET 9 .....	1	
26	95811-06030-00	BOLT, FLANGE .....	2	
27	97313-06016-00	BOLT, HEXAGON .....	4	
28	92995-06100-00	WASHER, SPRING .....	4	
29	92990-06200-00	WASHER .....	4	

CONTINUED ON NEXT FRAME ➤

Property of [www.SmallEngineDiscount.com](http://www.SmallEngineDiscount.com) - Not for Resale

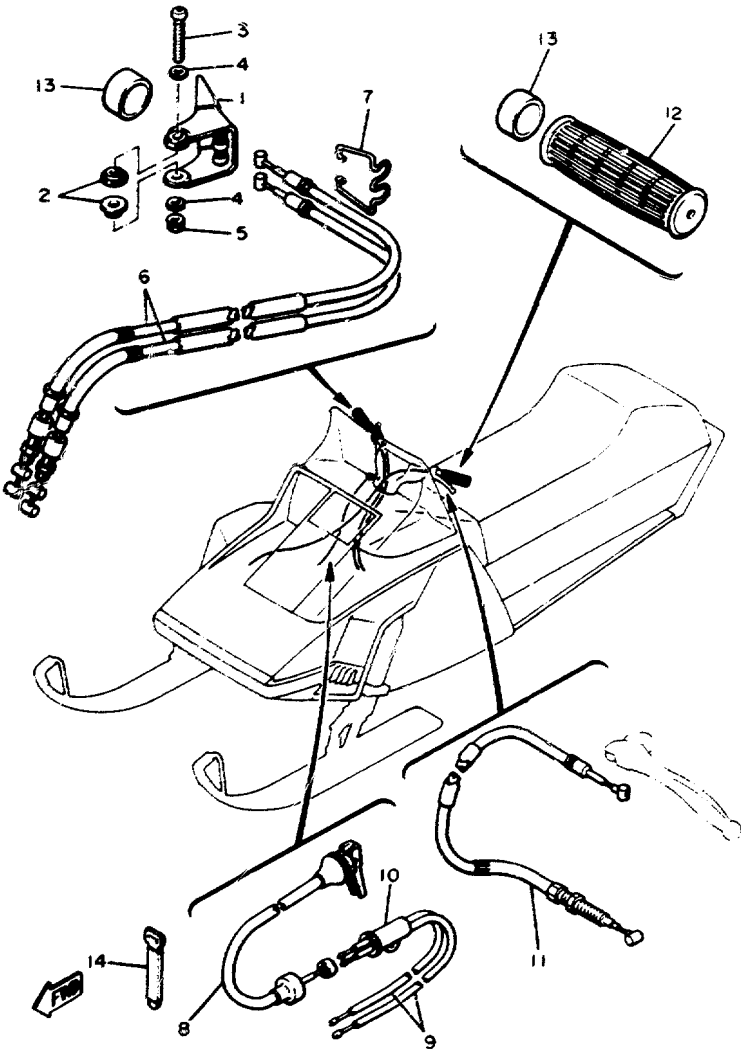
# STEERING GATE



Ref. No.	Part Number	Description	Qty	Remarks
30	97023-06020-00	BOLT (3XF)	4	
31	95701-06300-00	NUT, NYLON	4	
32	92990-06200-00	WASHER	8	
33	878-77137-01-00	CLAMP 3	2	
34	878-77188-00-00	STOPPER	2	
35	97001-06008-00	BOLT, HEXAGON	2	
36	8M6-77125-00-00	STAY 1	2	
37	95601-06100-00	NUT, U	2	
38	95601-06100-00	NUT, U	2	
39	90267-48079-00	RIVET, BLIND	1	

Property of [www.SmallEngineDiscount.com](http://www.SmallEngineDiscount.com) - Not for Resale

# CONTROL - CABLE

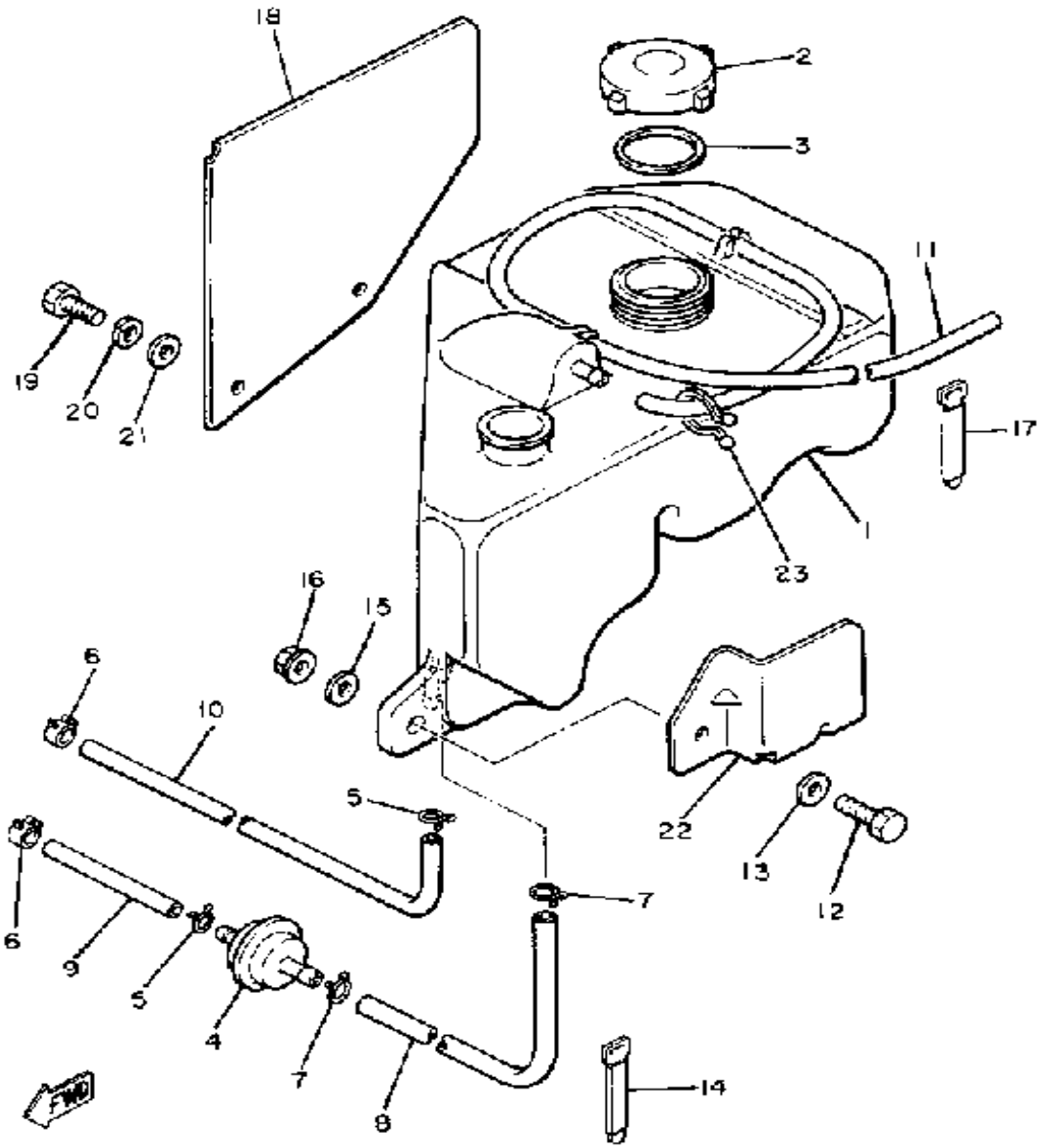


Ref. No.	Part Number	Description	Qty	Remarks
1	8M6-42138-00-00	LEVER, THROTTLE	1	
2	90387-06681-00	COLLAR	2	
3	98506-06050-00	SCREW, PAN HEAD	1	
4	92906-06600-00	WASHER	2	
5	95706-06300-00	NUT, NYLON	1	
6	8M6-26311-01-00	CABLE, THROTTLE 1	2	
7	8M6-26391-01-00	CLIP, CABLE	1	
8	8M6-26331-00-00	CABLE, STARTER 1	1	
9	8M6-26334-00-00	CABLE, STARTER 2	2	
10	137-26261-01-00	CONNECTOR, CABLE	1	
11	8K4-26340-00-00	CABLE, BRAKE	1	
12	801-26241-01-00	GRIP	2	
13	90387-22726-00	COLLAR	2	
14	341-26397-01-00	BAND	1	

Property of [www.SmallEngineDiscount.com](http://www.SmallEngineDiscount.com) - Not for Resale



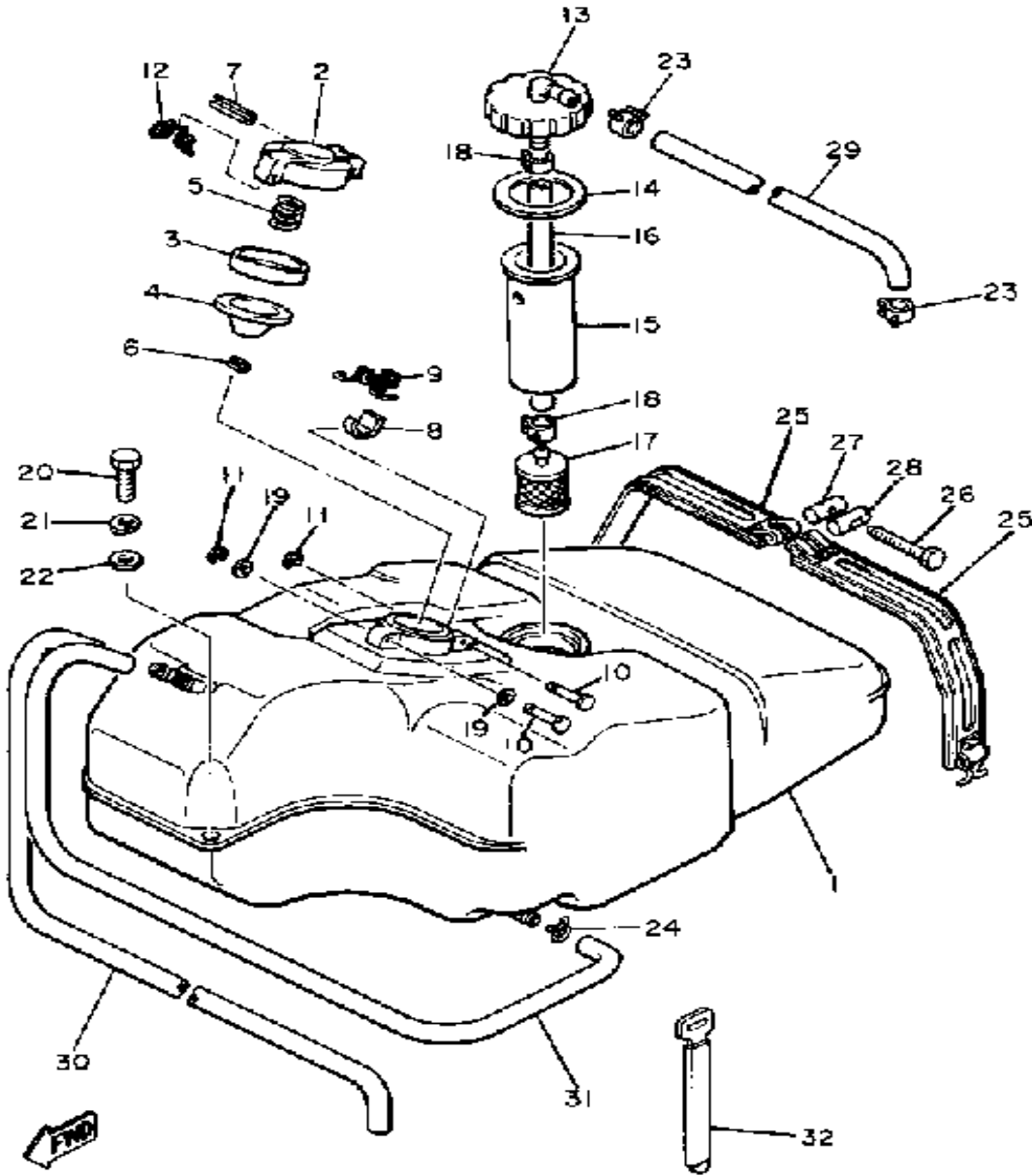
# OIL TANK



Ref. No.	Part Number	Description	Qty	Remarks
1	8M6-21751-00-00	TANK, OIL .....	1	
2	863-21771-00-00	BODY, CAP .....	1	
3	90430-31003-00	GASKET .....	1	
4	8G8-13410-00-00	STRAINER HOUSING ASSEMBLY .....	1	
5	90467-09005-00	CLIP, SCISSOR .....	2	
6	90467-09026-00	CLIP .....	2	
7	90467-11009-00	CLIP .....	2	
8	91A20-07018-00	TUBE, FLEXIBLE VINYL .....	1	
9	90446-09088-00	HOSE .....	1	
10	90446-09013-00	HOSE (90446-09079) .....	1	
11	90446-09155-00	HOSE .....	1	
12	97011-06025-00	BOLT (97001-06025) .....	2	
13	90201-06067-00	WASHER, PLATE .....	2	
14	341-26397-01-00	BAND .....	2	
15	92990-06200-00	WASHER .....	1	
16	95701-06300-00	NUT, NYLON .....	1	
17	25G-83936-01-00	BAND, SWITCH CORD .....	1	
18	8M6-2174A-00-00	INSULATOR, SIDE CVR .....	1	
19	97013-06012-00	BOLT .....	2	
20	92995-06100-00	WASHER, SPRING .....	2	
21	90201-061A5-00	WASHER, PLATE .....	2	
22	8M6-2176E-01-00	PLATE .....	1	
23	90464-16039-00	CLAMP .....	1	

Property of [www.SmallEngineDiscount.com](http://www.SmallEngineDiscount.com) - Not for Resale

# FUEL TANK

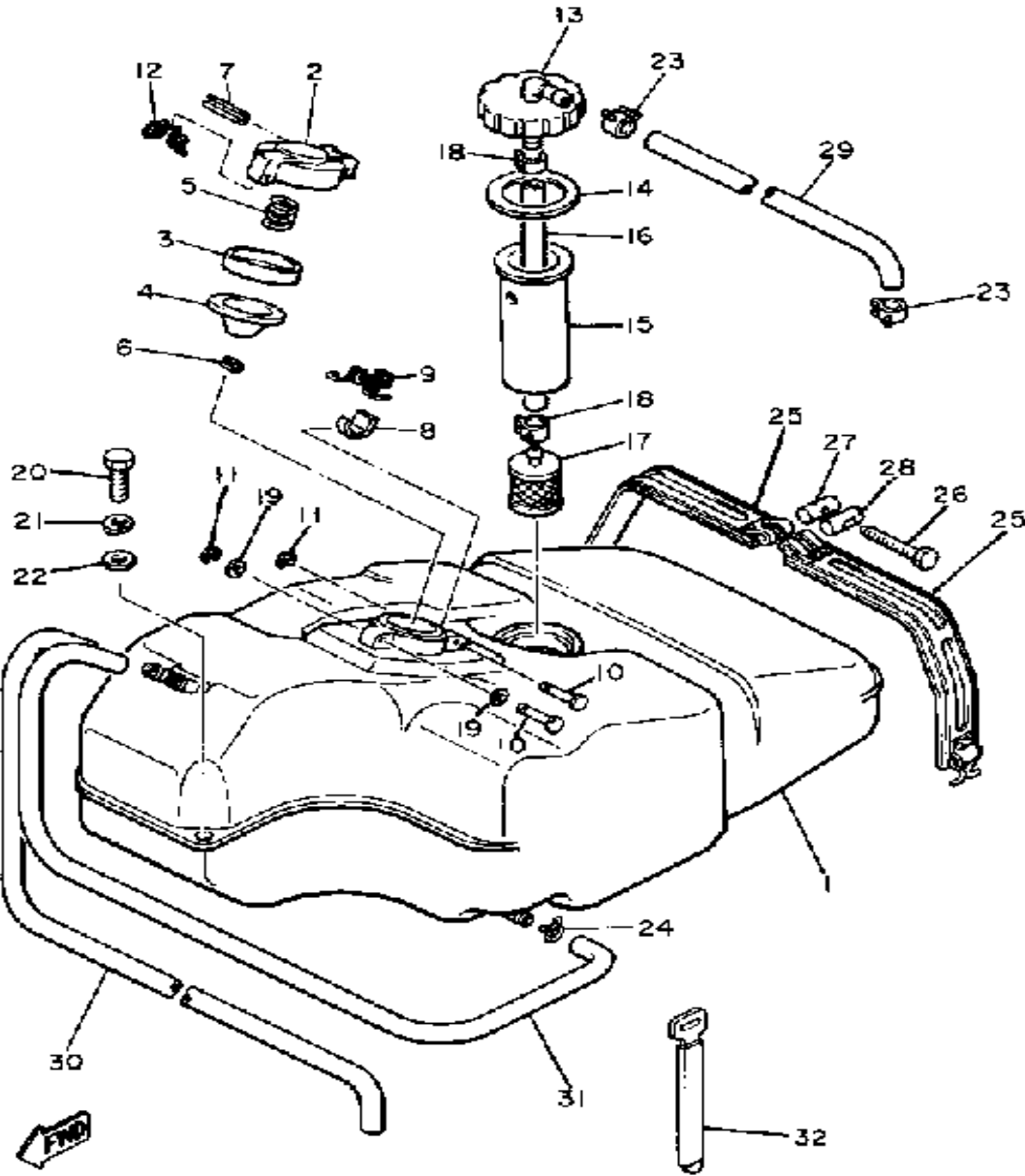


Ref. No.	Part Number	Description	Qty	Remarks
1	(8M6-24111-00-00)	FUEL TANK .....	1	
2	813-24611-01-00	BODY, CAP .....	1	
3	813-24613-01-00	DISC, CAP .....	1	
4	8F7-24641-00-00	GASKET, CAP 1 .....	1	
5	90501-20130-00	SPRING, COMPRESSION .....	1	
6	91609-30016-00	PIN, SPRING .....	1	
7	91609-25032-00	PIN, SPRING .....	1	
8	83M-24628-00-00	HOOK .....	1	
9	90508-10715-00	SPRING, TORSION .....	1	
10	90249-03017-00	PIN .....	2	
11	93430-02001-00	CIRCLIP .....	2	
12	90508-08353-00	SPRING, TORSION .....	1	
13	8K4-24335-00-00	PIPE, SUCTION 1 .....	1	
14	8K4-24612-00-00	GASKET, CAP .....	1	
15	8M6-24336-00-00	PIPE, SUCTION 2 .....	1	
16	90446-11175-00	HOSE .....	1	
17	8H5-24560-00-00	FILTER ASSEMBLY .....	1	
18	90467-11028-00	CLIP .....	2	
19	90201-03313-00	WASHER, PLATE .....	2	
20	97001-08025-00	BOLT (1NV) .....	1	
21	92990-08100-00	WASHER .....	1	
22	90201-087A9-00	WASHER, PLATE .....	1	
23	90467-11028-00	CLIP .....	2	
24	90467-09005-00	CLIP, SCISSOR .....	1	
25	(8M6-24199-00-00)	BAND, TNK FITTING 2 .....	2	
26	90149-05006-00	SCREW, SPEC'L SHAPE (821-24176-00) .....	1	
27	90179-05030-00	NUT, SPEC'L SHAPE (806-24146-00) .....	1	

CONTINUED ON NEXT FRAME ►

Property of [www.SmallEngineDiscount.com](http://www.SmallEngineDiscount.com) - Not for Resale

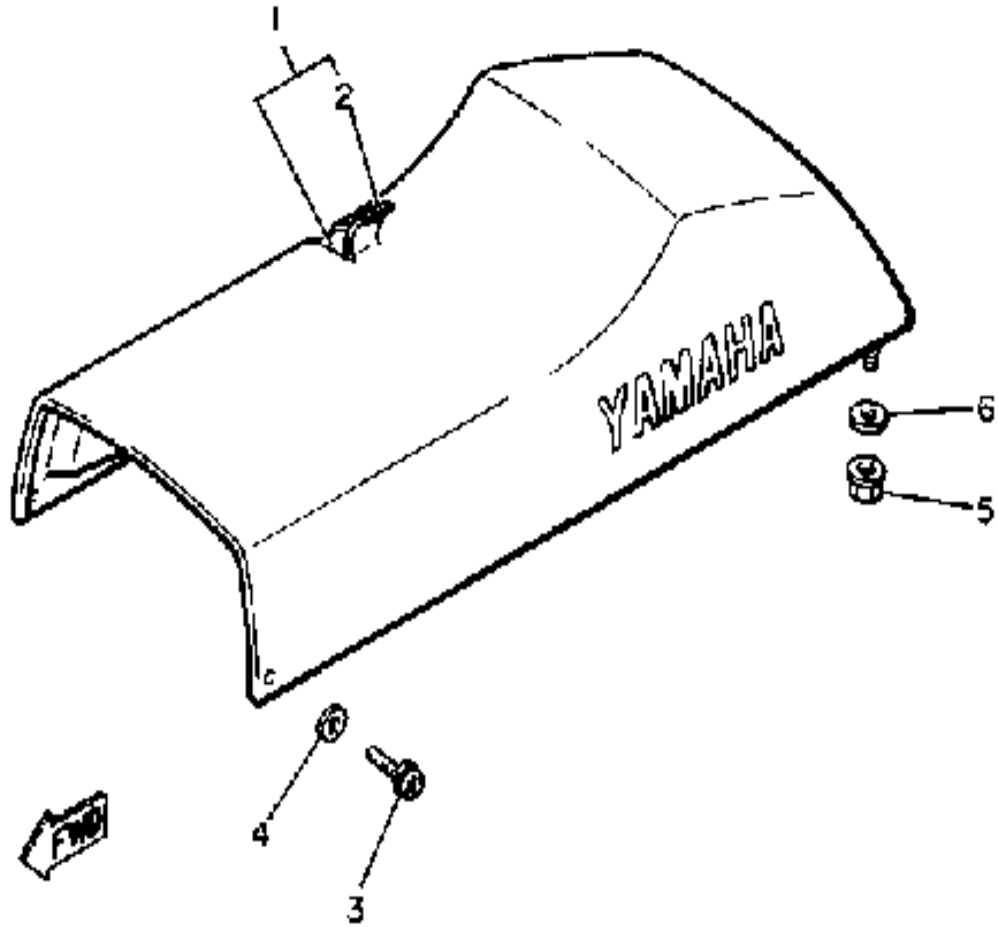
# FUEL TANK



Ref. No.	Part Number	Description	Qty	Remarks
28	806-24135-00-00	CLAMP 1	1	
29	91A20-07070-00	HOSE	1	
30	90446-09165-00	HOSE	1	
31	90446-09155-00	HOSE	1	
32	341-26397-01-00	BAND	3	

Property of [www.SmallEngineDiscount.com](http://www.SmallEngineDiscount.com) - Not for Resale

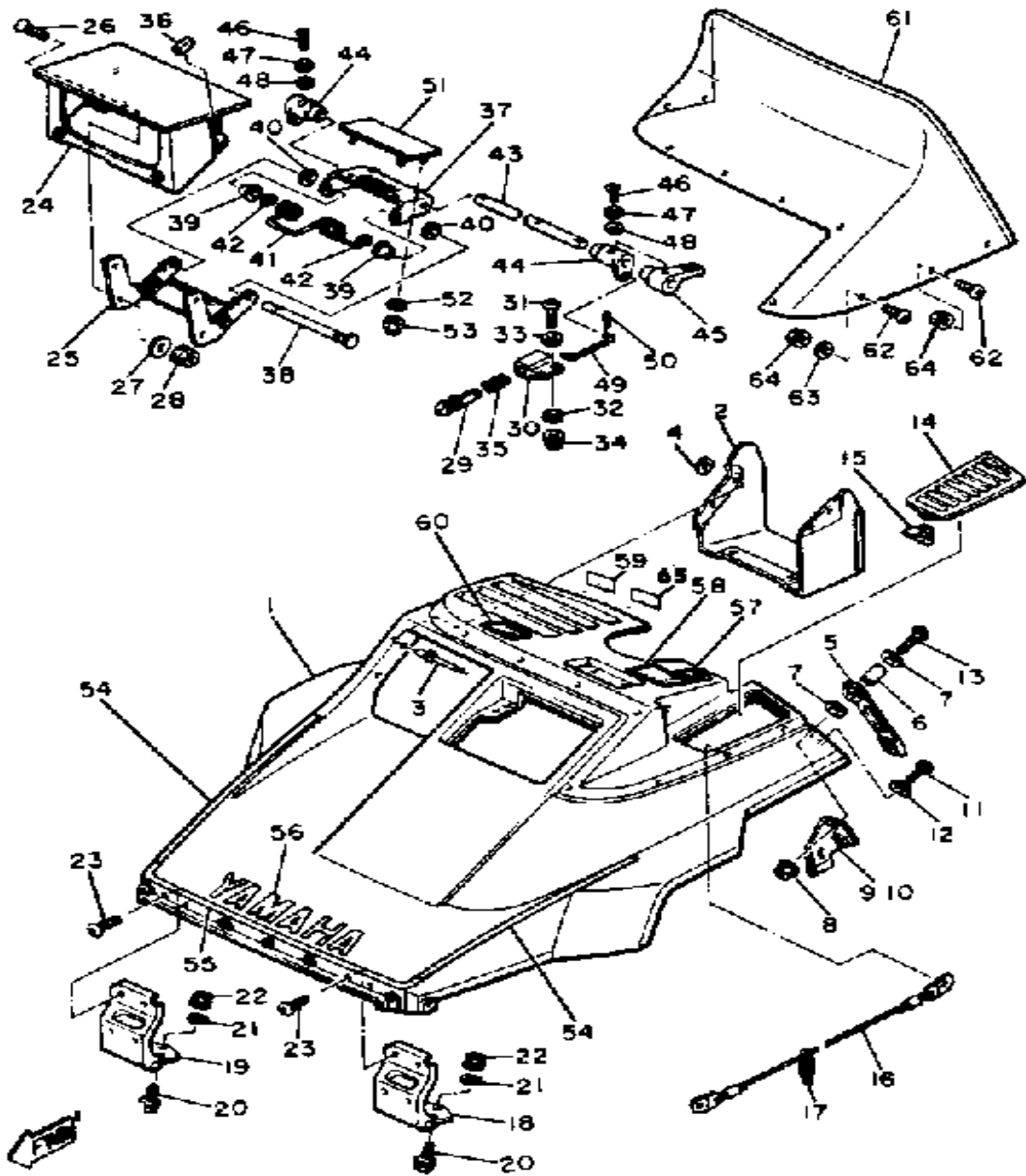
# SEAT



Ref. No.	Part Number	Description	Qty	Remarks
1	8M6-24710-00-00	SINGLE SEAT ASSEMBLY	1	
2	8M6-24711-00-00	. COVER, SINGLE SEAT	1	
3	90159-06019-00	SCREW, WITH WASHER	2	
4	90201-063J2-00	WASHER, PLATE	2	
5	95712-08300-00	NUT, LOCK	2	
6	90201-08748-00	WASHER, PLATE	2	

Property of [www.SmallEngineDiscount.com](http://www.SmallEngineDiscount.com) - Not for Resale

# SHROUD - WINSHIELD

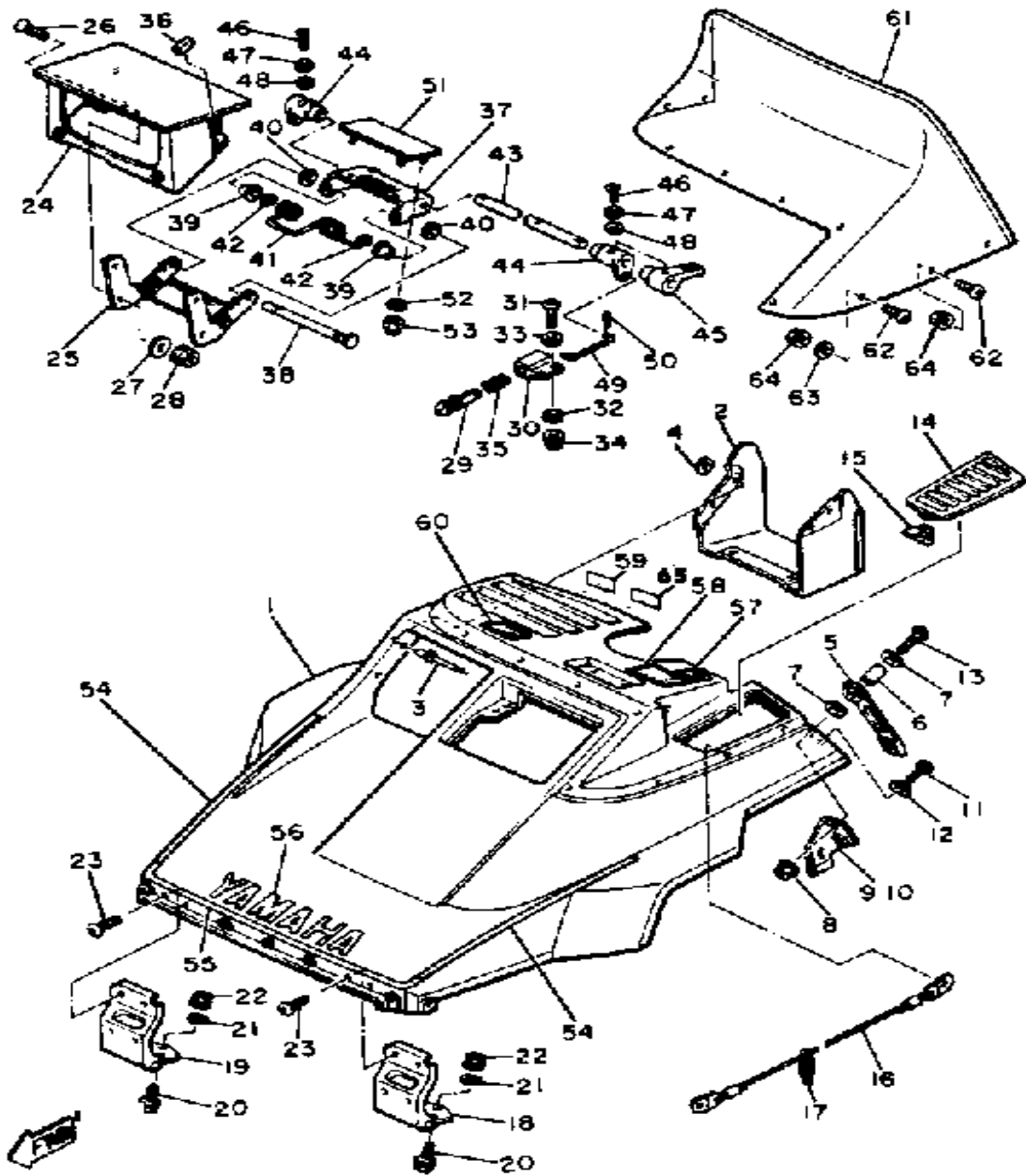


Ref. No.	Part Number	Description	Qty	Remarks
1	(8M6-W7711-00-00)	SHROUD ASSEMBLY	1	
2	8M6-77194-00-00	DUCT	1	
3	90267-48051-00	RIVET, BLIND	6	
4	90201-04325-00	WASHER, PLATE	6	
5	8M6-77171-00-00	BODY, LATCH 1	2	
6	90387-06241-00	COLLAR	2	
7	90201-06059-00	WASHER, PLATE	4	
8	95701-06500-00	NUT, FLANGE	2	
9	8M6-77135-00-00	CLAMP 1	1	
10	8M6-77136-00-00	CLAMP 2	1	
11	98906-06016-00	SCREW, BIND	2	
12	92906-06200-00	WASHER	2	
13	98906-06025-00	SCREW, BIND	2	
14	8M6-77133-00-00	LOUVER 3	1	
15	90468-05094-00	CLIP	4	
16	8A5-77118-00-00	STOPPER, SHROUD	1	
17	838-77159-00-00	CLAMP, ROD	1	
18	8M6-77140-01-00	HINGE ASSEMBLY	1	
19	8M6-7714A-00-00	HINGE ASSEMBLY 2	1	
20	95816-06016-00	BOLT, FLANGE	6	
21	90201-065F3-00	WASHER, PLATE	6	
22	95701-06300-00	NUT, NYLON	6	
23	98980-06016-00	SCREW, BINDING	4	
24	8M6-84311-00-00	BODY, HEADLIGHT	1	
25	8M6-84318-00-00	STAY, HEADLIGHT 1	1	
26	98706-05016-00	SCREW, FLAT HEAD	4	
27	92990-05200-00	WASHER, PLAIN	4	
28	95701-05300-00	NUT, NYLON	4	
29	8M6-77119-00-00	ROD 1	2	

CONTINUED ON NEXT FRAME ➤

Property of [www.SmallEngineDiscount.com](http://www.SmallEngineDiscount.com) - Not for Resale

# SHROUD - WINSHIELD

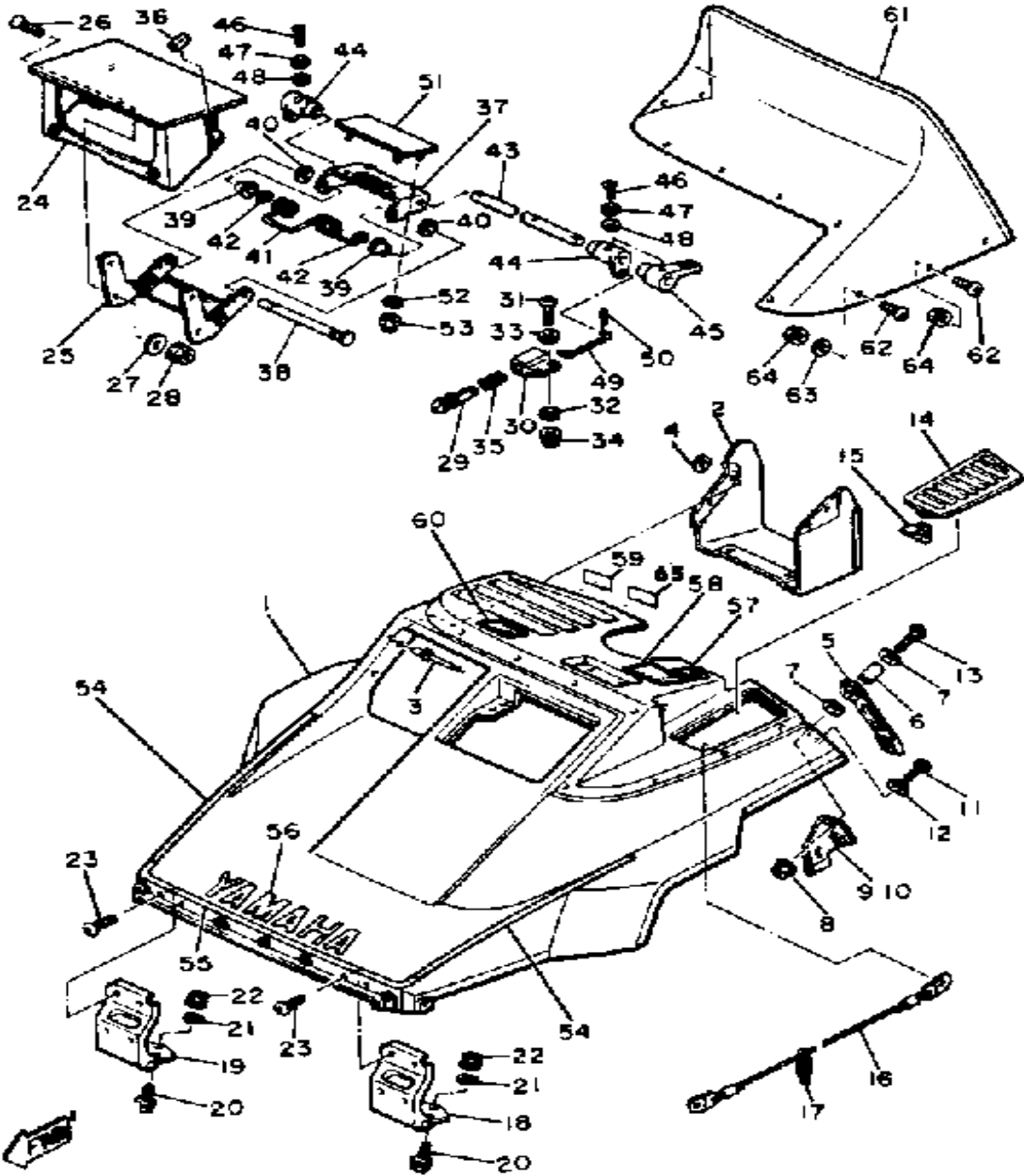


Ref. No.	Part Number	Description	Qty	Remarks
30	8M6-77139-00-00	HOLDER, ROD 1	2	
31	98906-06025-00	SCREW, BIND	4	
32	92990-06200-00	WASHER	4	
33	92906-06200-00	WASHER	4	
34	95701-06300-00	NUT, NYLON	4	
35	8M6-77184-00-00	SPRING R (R.H.)	2	
36	8M6-77185-00-00	PLATE 1	2	
37	8M6-84319-00-00	STAY, HEADLIGHT 2	1	
38	8M6-8411R-00-00	PIN	1	
39	8M6-77176-00-00	COLLAR 1	2	
40	8M6-77178-00-00	WASHER 1	3	
41	8M6-77174-00-00	SPRING 1	1	
42	99080-07600-00	CIRCLIP (E)	2	
43	8M6-77158-00-00	PIN, HINGE 2	1	
44	8M6-77159-00-00	CLAMP, ROD	2	
45	8M6-77173-00-00	LEVER, LATCH 1	1	
46	98506-03016-00	SCREW, PAN HEAD	3	
47	92990-03100-00	WASHER, SPRING (92901-03100)	3	
48	92902-03600-00	WASHER	3	
49	8M6-77129-00-00	ROD 2	2	
50	91401-10015-00	PIN, COTTER	4	
51	8M6-77189-00-00	COVER, LEVER	1	
52	92990-05200-00	WASHER, PLAIN	4	
53	95601-05100-00	NUT, U	4	
54	8M6-77281-00-00	STRIPE 1	2	
55	8M6-77282-00-00	STRIPE 2	1	
56	8M6-77357-00-00	EMBLEM 7	1	
57	8K2-77744-01-00	INDICATOR 4	1	

CONTINUED ON NEXT FRAME ►

Property of [www.SmallEngineDiscount.com](http://www.SmallEngineDiscount.com) - Not for Resale

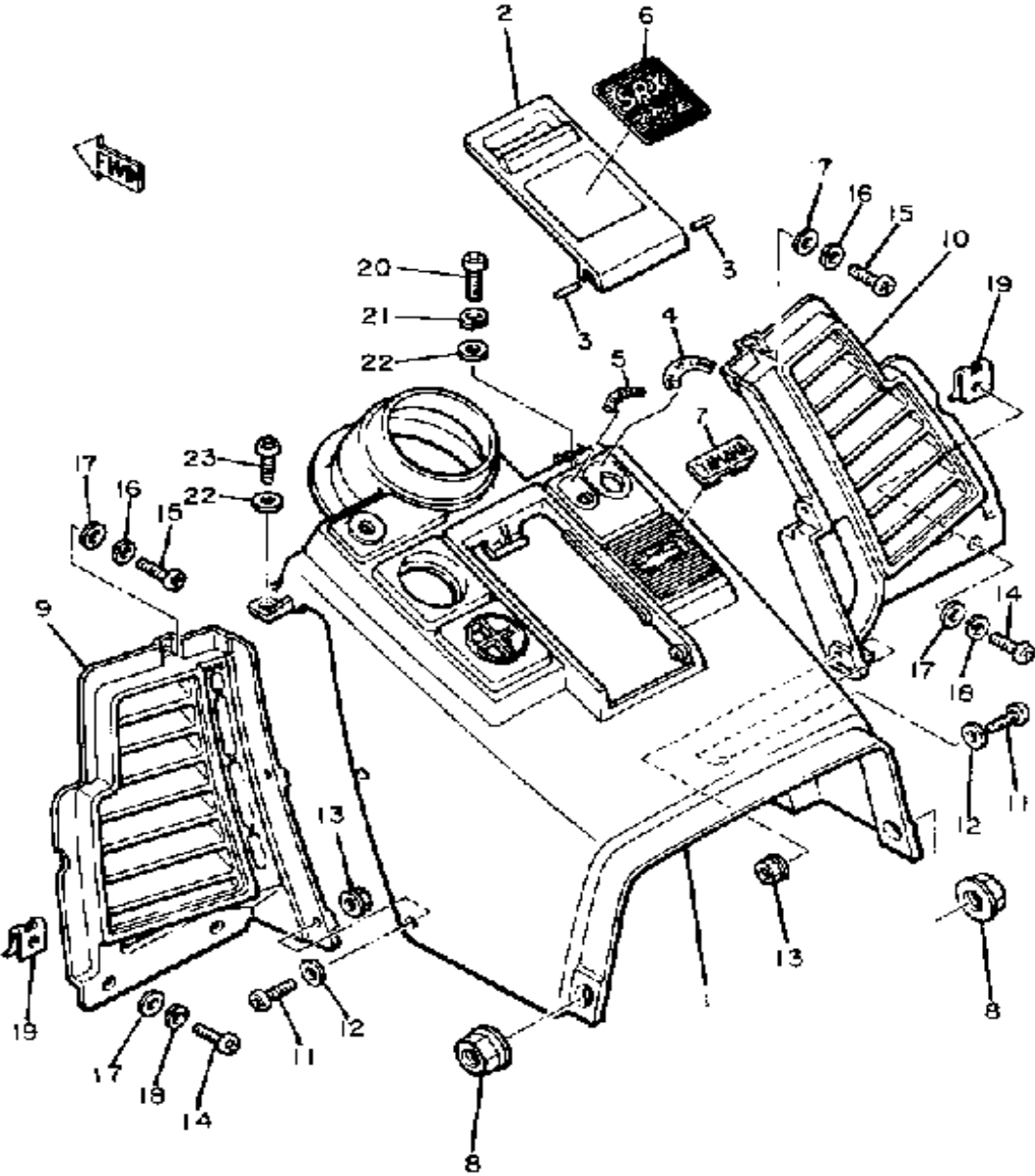
# SHROUD - WINSHIELD



Ref. No.	Part Number	Description	Qty	Remarks
58	8A7-77763-00-00	LABEL, WARNING 3	1	
59	288-21659-00-00	LABEL, SAFETY	1	
60	8L2-77761-01-00	LABEL, WARNING 1	1	
61	8M6-77210-00-00	WINDSHIELD	1	
62	90154-05005-00	SCREW, BINDING	10	
63	90201-05029-00	WASHER, PLATE	9	
64	95701-05300-00	NUT, NYLON	10	
65	(8M6-W0070-00-00)	GRAPHIC SET	1	WITH +
	(8M6-W0070-10-00)	GRAPHIC SET		
	8L2-77767-00-00	LABEL, WARNING 7	1	

Property of [www.SmallEngineDiscount.com](http://www.SmallEngineDiscount.com) - Not for Resale

# INSTRUMENT PANEL

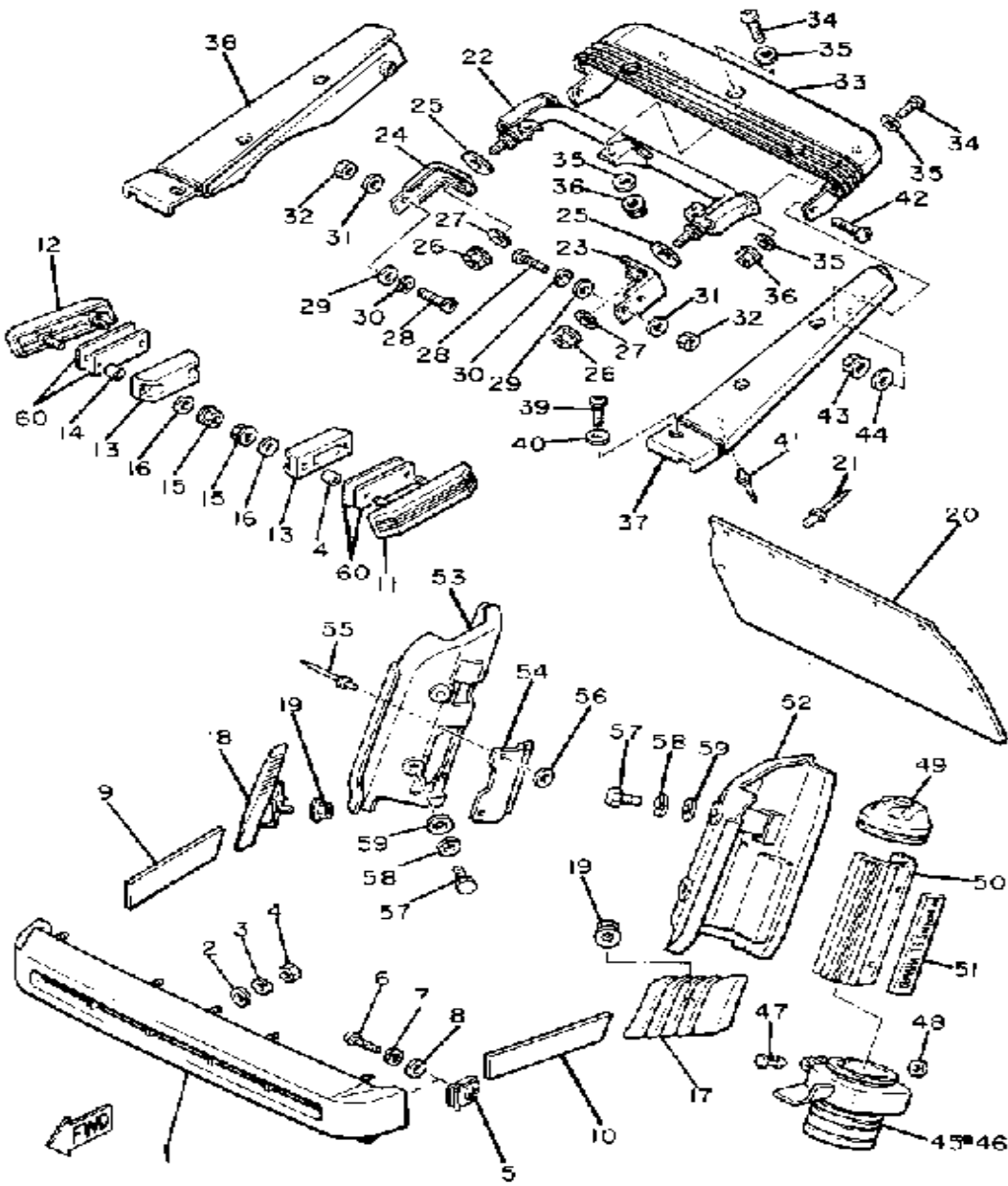


Ref. No.	Part Number	Description	Qty	Remarks
1	(8M6-77711-00-00)	PANEL, INSTRUMENT .....	1	
2	8M6-77712-00-00	PANEL, INSTRUMENT .....	1	
3	8K4-77477-00-00	PIN, HINGE .....	2	
4	8K2-77741-00-00	INDICATOR 1 .....	1	
5	8K4-77742-00-00	INDICATOR 2 .....	1	
6	(8M6-77715-00-00)	ORMNT, INSTR PNL 1 .....	1	
7	8M6-77725-00-00	EMBLEM 1 .....	1	
8	90179-16251-00	NUT, SPEC'L SHAPE .....	2	
9	8M6-77131-00-00	LOUVER 1 .....	1	
10	8M6-77132-00-00	LOUVER 2 .....	1	
11	98516-05012-00	SCREW, PAN HEAD 4CG .....	3	
12	90201-05725-00	WASHER, PLATE .....	3	
13	95701-05300-00	NUT, NYLON .....	3	
14	90167-05007-00	SCREW, TAPPING .....	4	
15	98586-05016-00	SCREW, PAN HEAD .....	2	
16	92906-05100-00	WASHER, SPRING .....	2	
17	90201-05721-00	WASHER, PLATE .....	6	
18	92906-05100-00	WASHER, SPRING .....	4	
19	90183-05013-00	NUT, SPRING .....	4	
20	98506-06016-00	SCREW, PANHEAD .....	1	
21	92906-06100-00	WASHER, SPRING .....	1	
22	90201-062A8-00	WASHER, PLATE .....	2	
23	98516-06012-00	SCREW, PAN HEAD .....	1	

Property of [www.SmallEngineDiscount.com](http://www.SmallEngineDiscount.com) - Not for Resale



# BUMPER

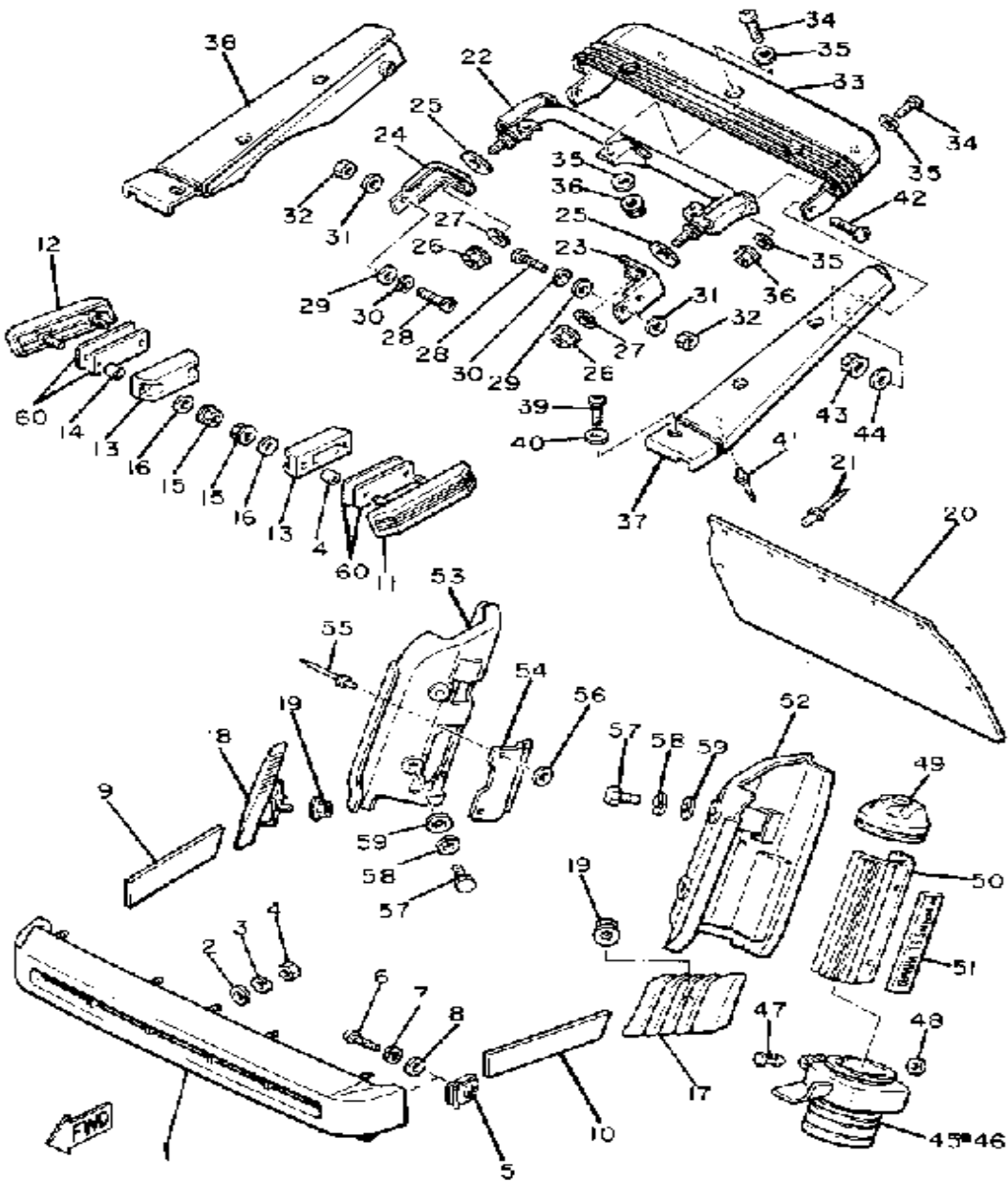


Ref. No.	Part Number	Description	Qty	Remarks
1	8M6-77510-00-00	FRONT BUMPER	1	
2	92990-05200-00	WASHER, PLAIN	9	
3	92990-05100-00	WASHER, SPRING	9	
4	95380-05600-00	NUT	9	
5	90183-05013-00	NUT, SPRING	2	
6	98580-05016-00	SCREW, PAN HEAD	2	
7	92990-05100-00	WASHER, SPRING	2	
8	92901-05600-00	WASHER, PLATE	2	
9	8M6-77512-00-00	BUMPER, FRONT 2	1	
10	8M6-77511-00-00	BUMPER, FRONT 1	1	
11	8M6-77513-00-00	BUMPER, FRONT 3	1	
12	8M6-77514-00-00	BUMPER, FRONT 4	1	
13	8M6-77529-00-00	SPACER, BUMPER	2	
14	90387-06241-00	COLLAR	4	
15	95701-06300-00	NUT, NYLON	4	
16	92990-06200-00	WASHER	4	
17	8M6-77523-00-00	END, BUMPER	1	
18	8M6-77524-00-00	END, BUMPER	1	
19	95701-06500-00	NUT, FLANGE	2	
20	8V9-77595-00-00	FLAP	1	
21	90267-48086-00	RIVET, BLIND	5	
22	8M6-77541-00-00	BUMPER, REAR 1	1	
23	8M6-77525-01-00	WASHER 1	1	
24	8M6-77526-01-00	WASHER 2	1	
25	90201-12195-00	WASHER, PLATE	2	
26	95701-10300-00	NUT, FLANGE (95702-10300)	2	
27	92990-10200-00	WASHER, PLAIN	2	
28	98980-06020-00	SCREW, BIND	4	
29	92990-06200-00	WASHER	4	

CONTINUED ON NEXT FRAME ➤

Property of [www.SmallEngineDiscount.com](http://www.SmallEngineDiscount.com) - Not for Resale

# BUMPER

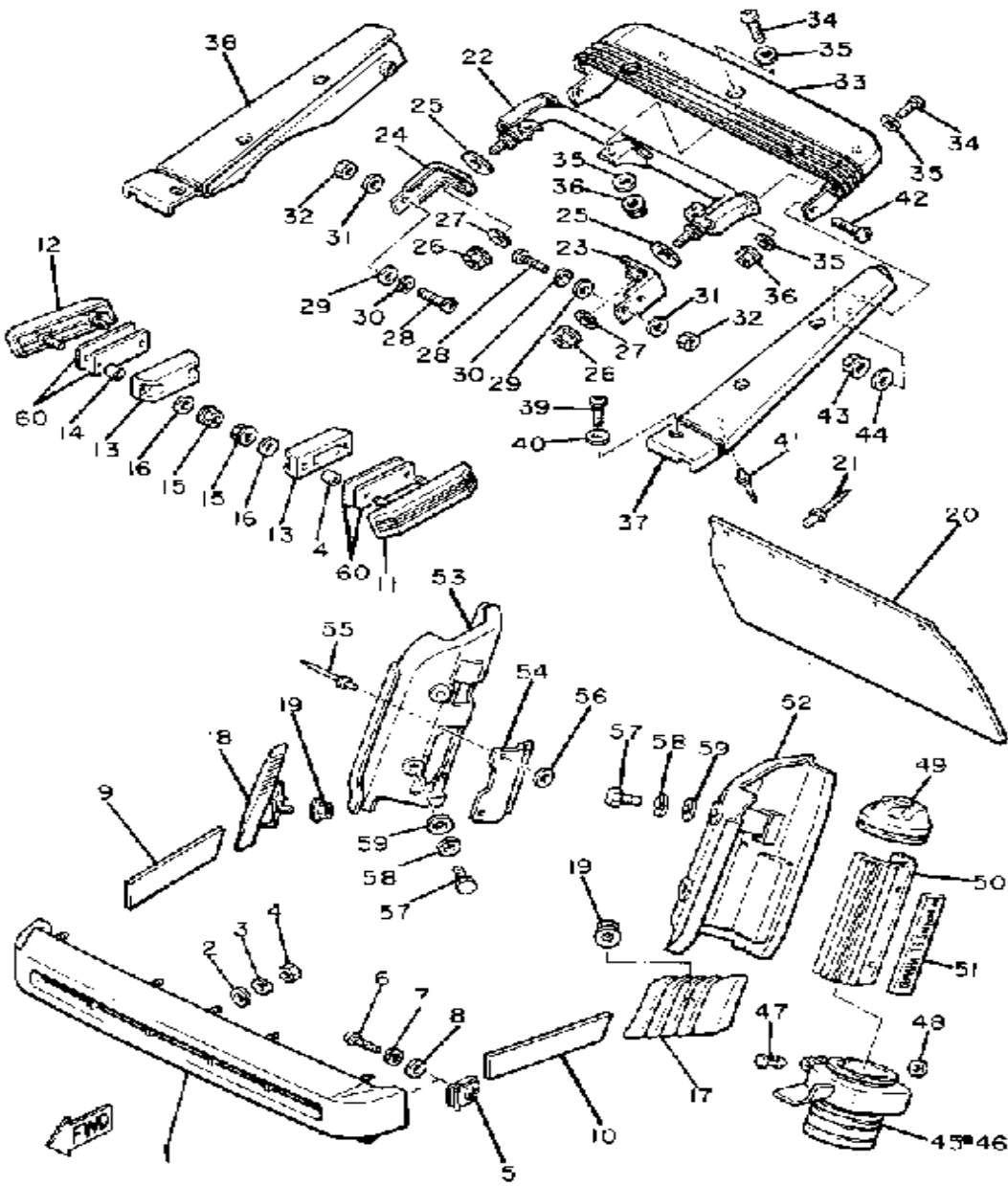


Ref. No.	Part Number	Description	Qty	Remarks
30	92995-06100-00	WASHER, SPRING	4	
31	90201-061A5-00	WASHER, PLATE	4	
32	95380-06600-00	NUT	4	
33	8M6-77542-00-00	BUMPER, REAR 2	1	
34	98906-05016-00	SCREW, BIND	5	
35	90201-05721-00	WASHER, PLATE	10	
36	95701-05300-00	NUT, NYLON	5	
37	8M6-77543-00-00	BUMPER, REAR 3	1	
38	8M6-77544-00-00	BUMPER, REAR 4	1	
39	98906-05012-00	SCREW, BIND	6	
40	90201-05721-00	WASHER, PLATE	6	
41	90267-48086-00	RIVET, BLIND	4	
42	98906-06025-00	SCREW, BIND	2	
43	95701-06300-00	NUT, NYLON	2	
44	92990-06200-00	WASHER	2	
45	8M6-77551-01-00	PROTECTOR 1 (8M6-77551-00)	1	
46	8M6-77552-00-00	PROTECTOR 2	1	
47	90269-04025-00	RIVET	2	
48	90201-044H9-00	WASHER, PLAIN	2	
49	8M6-77553-00-00	PROTECTOR 3	2	
50	8M6-77554-00-00	PROTECTOR 4	2	
51	8M6-77369-00-00	EMBLEM 4	2	
52	8R9-77556-00-00	PROTECTOR 6	1	
53	8M6-77557-00-00	PROTECTOR 7	1	
54	8M6-77535-00-00	STAY 1	1	
55	90267-40029-00	RIVET, BLIND	4	
56	90201-047A2-00	WASHER, PLATE	4	
57	97013-06012-00	BOLT	6	
58	92995-06100-00	WASHER, SPRING	6	

CONTINUED ON NEXT FRAME ➤

Property of [www.SmallEngineDiscount.com](http://www.SmallEngineDiscount.com) - Not for Resale

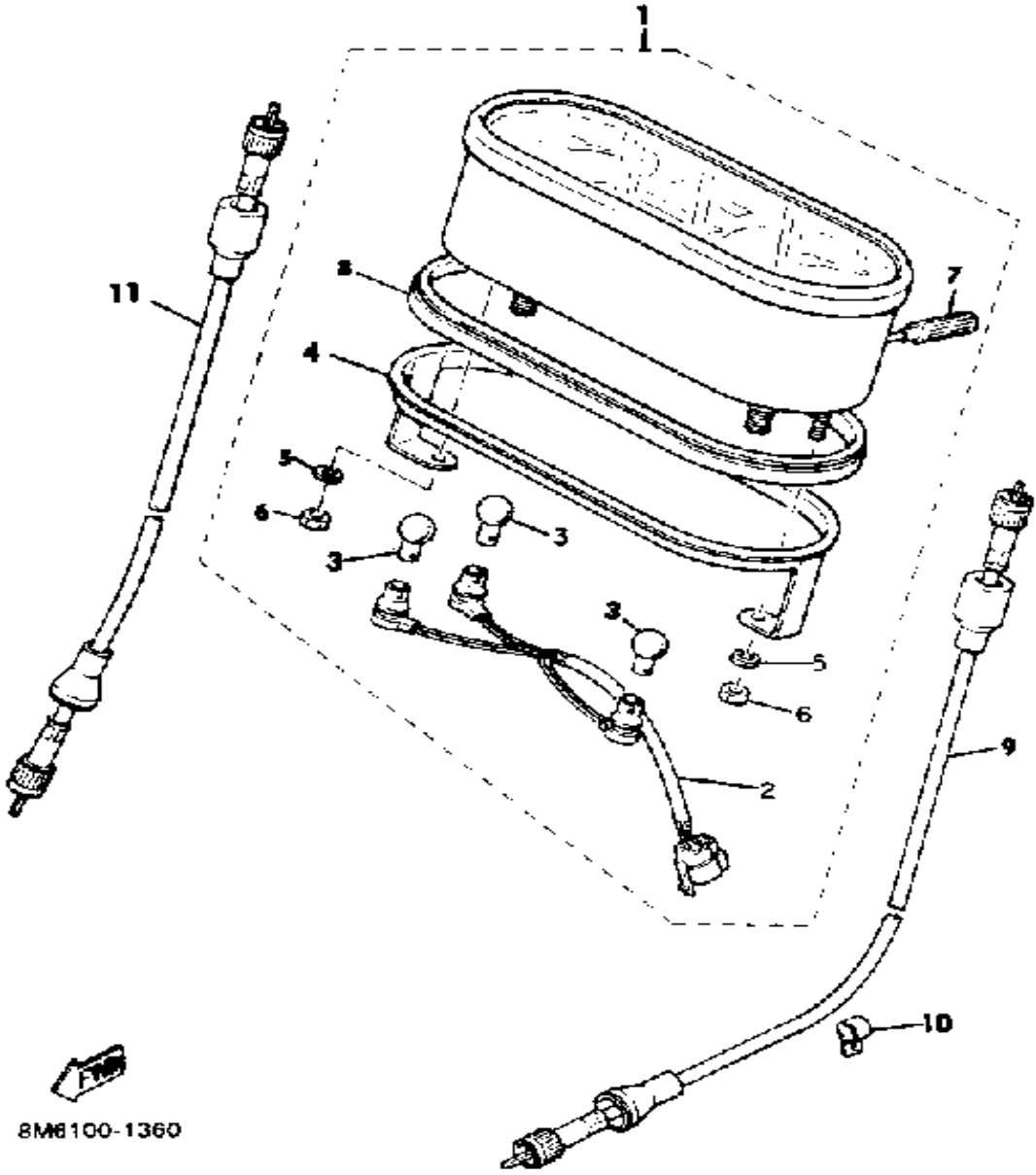
# BUMPER



Ref. No.	Part Number	Description	Qty	Remarks
59	92990-06200-00	WASHER .....	6	
60	8M6-21967-00-00	PATCH 7 .....	4	

Property of [www.SmallEngineDiscount.com](http://www.SmallEngineDiscount.com) - Not for Resale

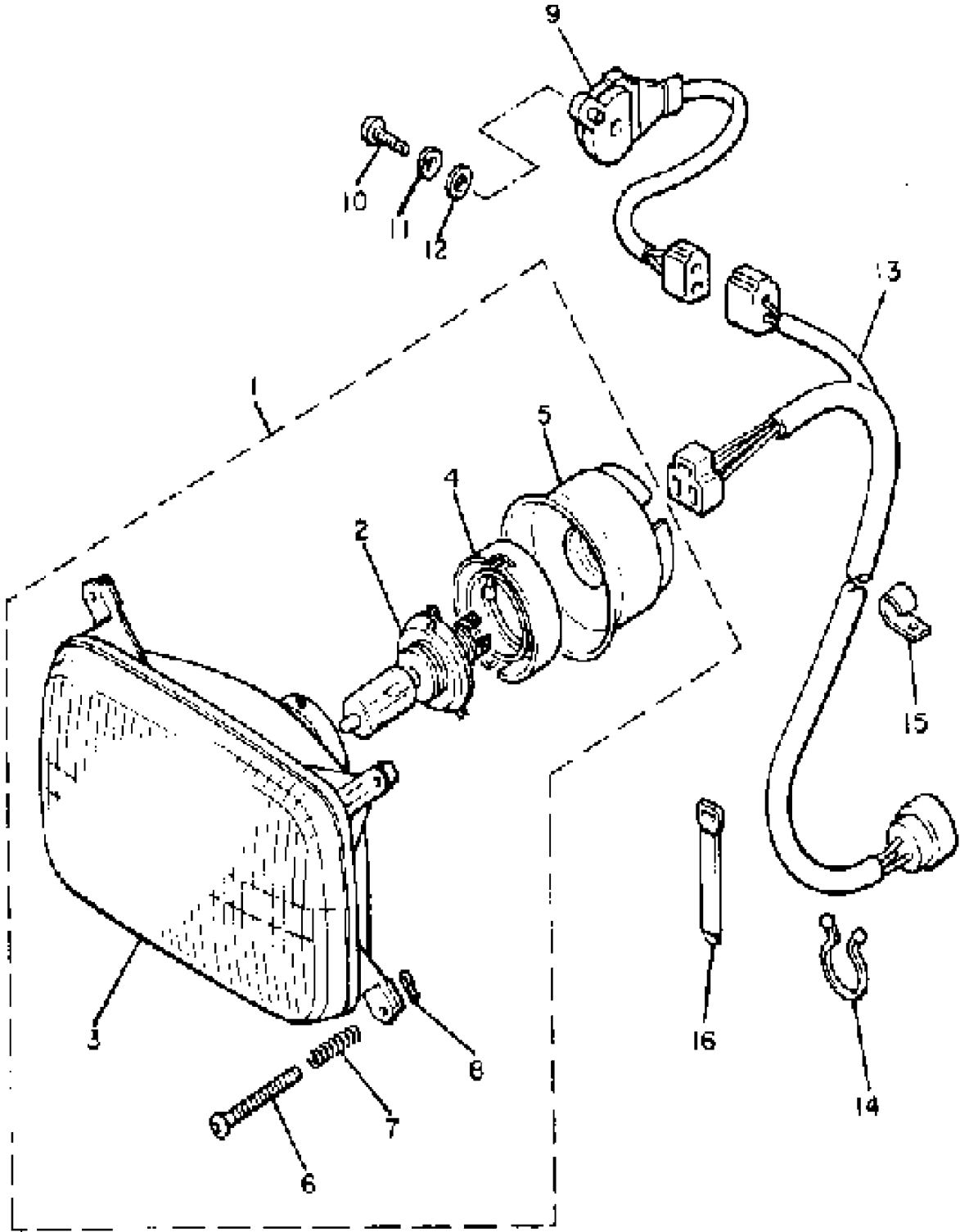
# METER



Ref. No.	Part Number	Description	Qty	Remarks
1	8M6-83500-40-00	SPEEDOMETER ASSEMBLY ..	1	MILE/H
2	8K4-83536-00-00	. SOCKET, METER .....	1	
3	123-83516-21-00	. BULB (12V-3.4W) .....	3	
4	8K4-83519-01-00	. BRACKET, METER .....	1	
5	92990-05100-00	. WASHER, SPRING .....	2	
6	95380-05600-00	. NUT .....	2	
7	8L8-83578-00-00	. KNOB, TRIP METER .....	1	
8	8K4-83513-00-00	. DAMPER .....	1	
9	8K4-83550-00-00	SPEEDOMETER CABLE ASSEMBLY .....	1	
10	90461-06M01-00	CLAMP .....	1	
11	839-83550-01-00	SPEEDOMETER CABLE .....	1	

Property of [www.SmallEngineDiscount.com](http://www.SmallEngineDiscount.com) - Not for Resale

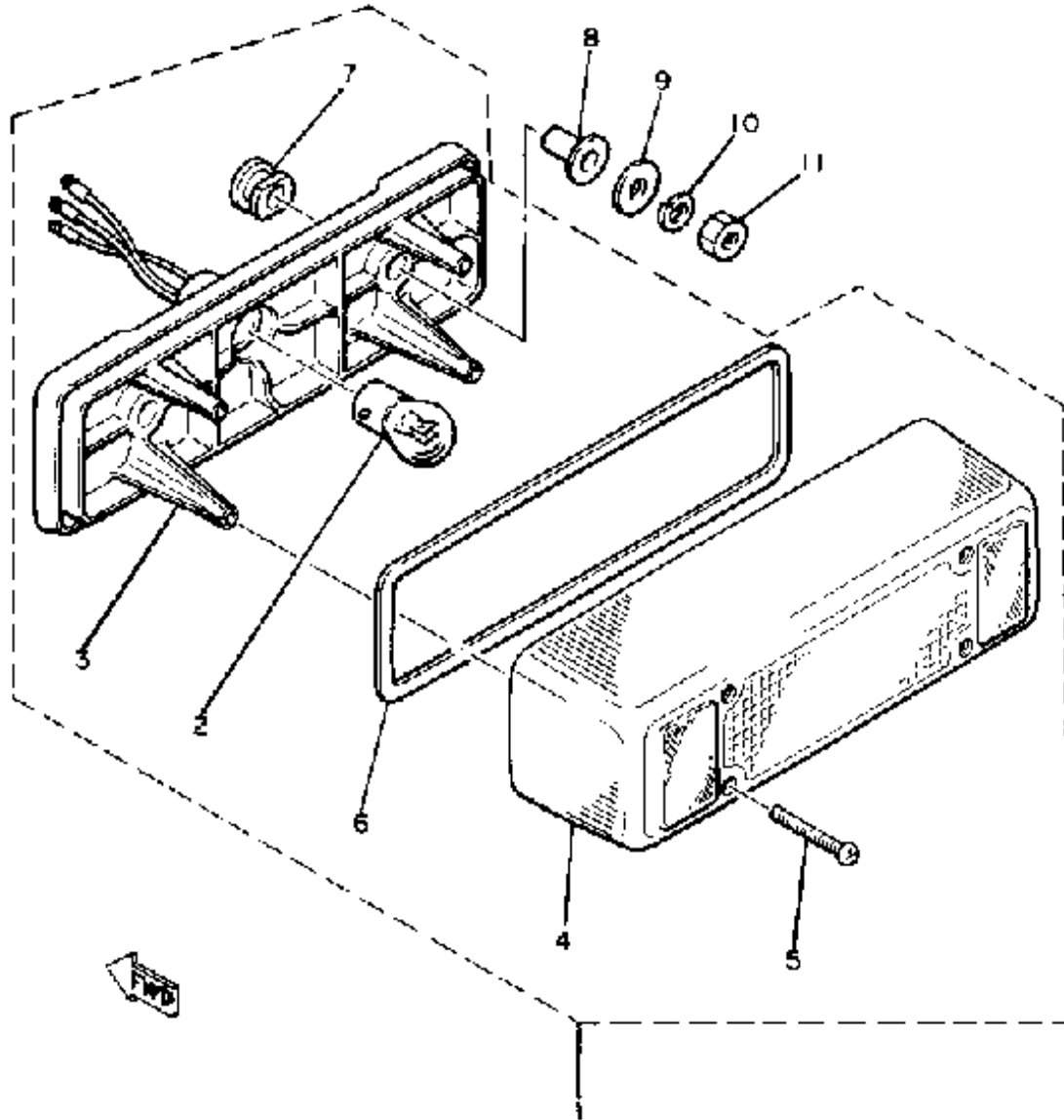
# HEADLIGHT



Ref. No.	Part Number	Description	Qty	Remarks
1	8M6-84310-00-00	HEADLIGHT UNIT ASSEMBLY	1	
2	5V2-84314-00-XX	. BULB, HL 12V60/55W (2F9-84314-00)	1	
3	8A7-84320-00-00	. LENS ASSEMBLY	1	
4	8A7-84312-00-00	. HOLDER, SOCKET	1	
5	8A7-84397-01-00	. COVER, SOCKET	1	
6	8M6-84331-00-00	. SCREW, RIM ADJUSTING (8A5-84331-00-00)	4	
7	8A5-84332-00-00	. SPRING, SCREW	4	
8	8K4-84374-00-00	. CLIP	2	
9	8M6-82520-01-00	LIGHT SWITCH ASSEMBLY (8M6-82520-00)	1	
10	98503-05025-00	SCREW, PAN HEAD (98501-05025)	1	
11	92990-05100-00	WASHER, SPRING	1	
12	92901-05600-00	WASHER, PLATE	1	
13	8X6-84359-00-00	CORD, HEADLIGHT	1	
14	90464-16039-00	CLAMP	1	
15	90465-06013-00	CLAMP	1	
16	341-26397-01-00	BAND	1	

Property of [www.SmallEngineDiscount.com](http://www.SmallEngineDiscount.com) - Not for Resale

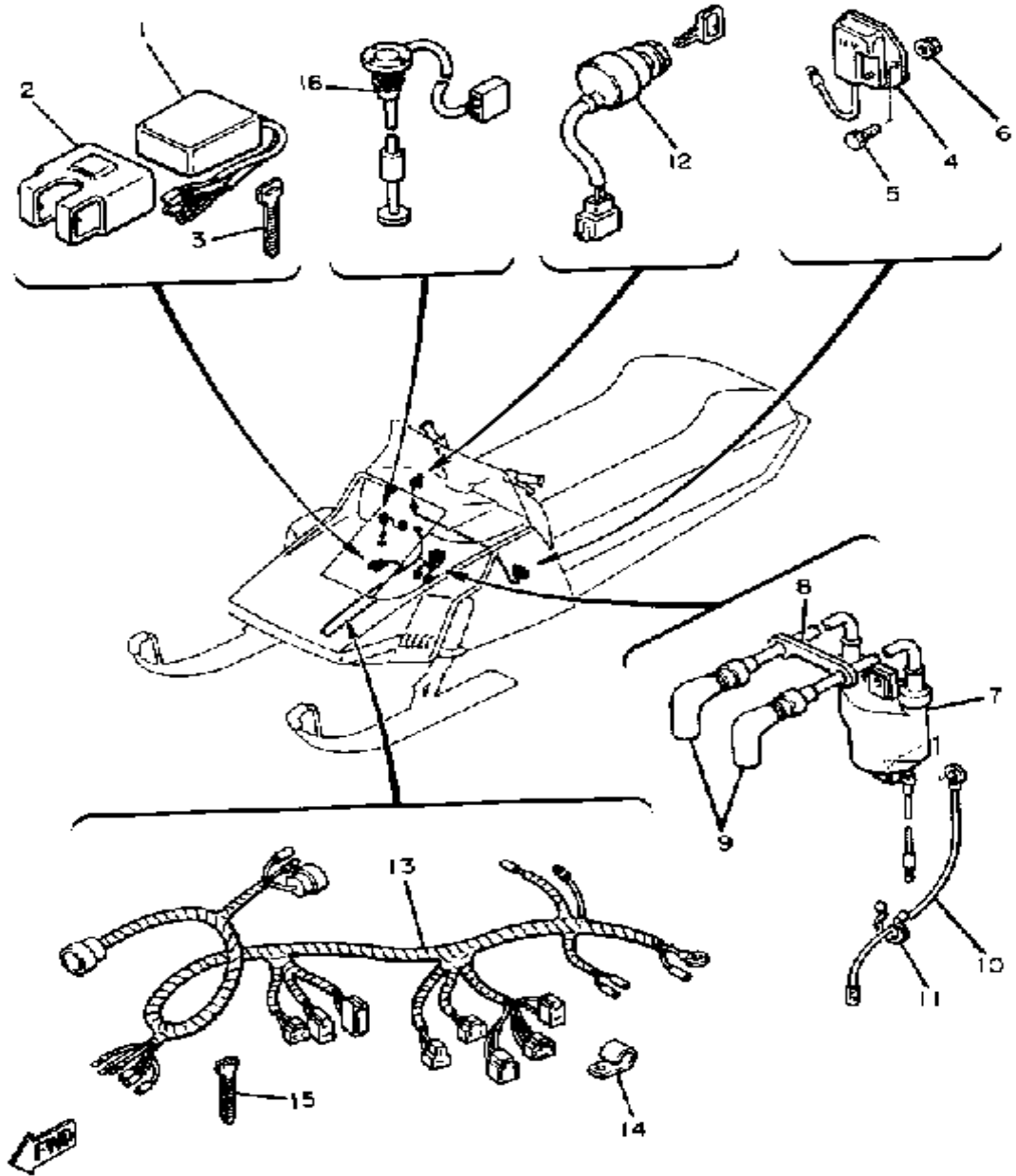
# TAILLIGHT



Ref. No.	Part Number	Description	Qty	Remarks
1	8K4-84710-00-00	TAILLIGHT UNIT ASSEMBLY ..	1	
2	838-84714-01-00	. BULB (12V-23/8W) .....	1	
3	8K4-84711-00-00	. BASE, TAILLIGHT .....	1	
4	8K4-84721-00-00	. LENS, TAILLIGHT .....	1	
5	97780-40130-00	. SCREW, PANHEAD TAPPING (97701-40130-00) .....	4	
6	87M-84723-00-00	. GASKET, TAIL LENS .....	1	
7	8K4-84718-00-00	. GROMMET .....	2	
8	90387-060G8-00	COLLAR .....	2	
9	90201-06407-00	WASHER, PLATE (90201-06747-00) .....	2	
10	92995-06100-00	WASHER, SPRING .....	2	
11	95380-06600-00	NUT .....	2	

Property of [www.SmallEngineDiscount.com](http://www.SmallEngineDiscount.com) - Not for Resale

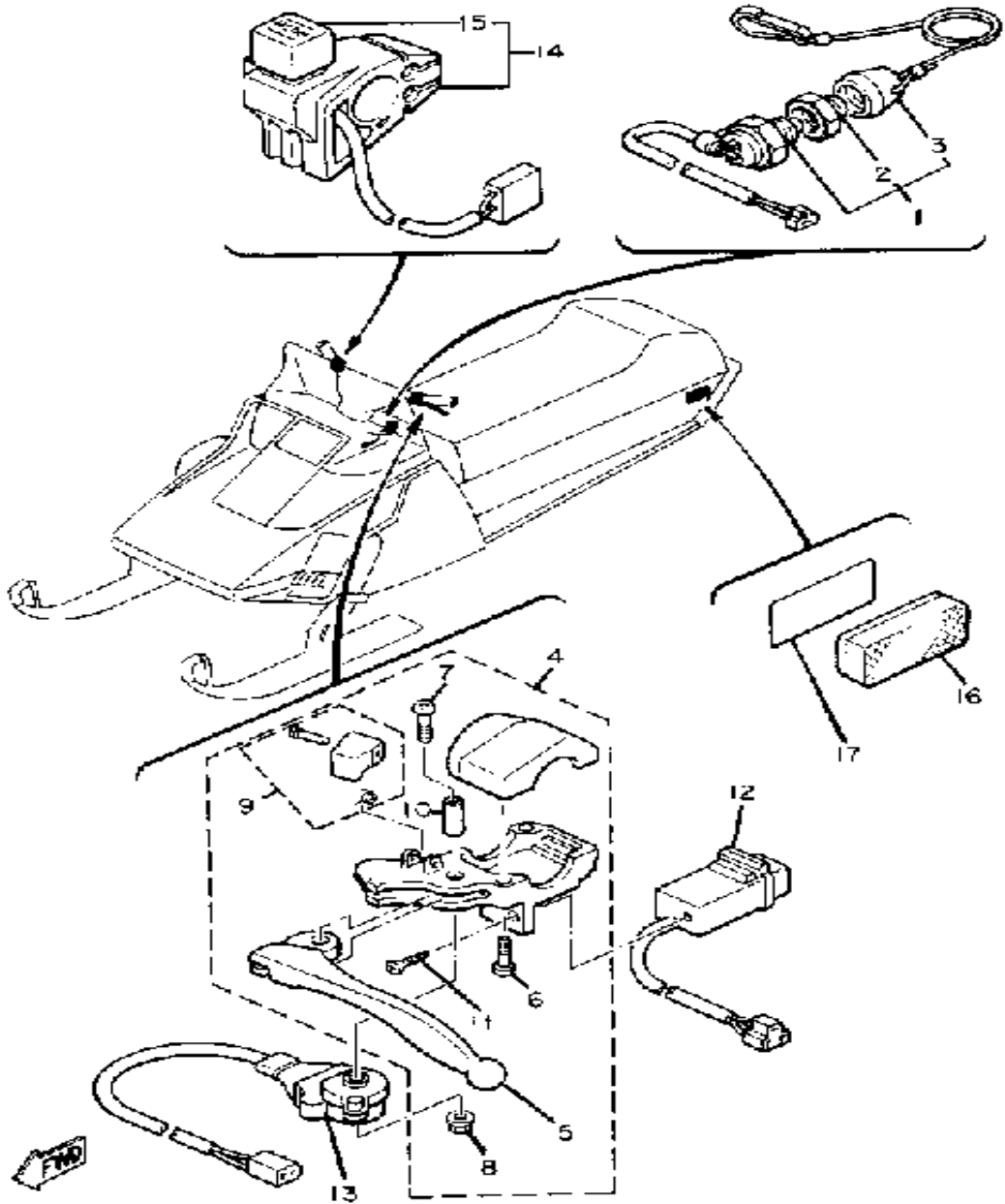
# ELECTRICAL 1



Ref. No.	Part Number	Description	Qty	Remarks
1	8K4-85540-10-00	CDI UNIT ASSEMBLY	1	
2	2A7-85546-00-00	BAND	1	
3	437-83936-01-00	BAND, SWITCH CORD	1	
4	82F-81910-A0-00	VOLTAGE REGULATOR ASSEMBLY	1	
5	97301-06014-00	BOLT, HEXAGON	2	
6	95701-06300-00	NUT, NYLON	2	
7	8M6-82310-T0-00	IGNITION COIL ASSEMBLY	1	
8	90464-07015-00	CLAMP	1	
9	81E-82370-20-00	PLUG CAP ASSEMBLY	2	
10	J42-82318-00-00	WIRE, SUB-LEAD	1	
11	90465-18147-00	CLAMP	1	
12	8K4-82508-20-00	MAIN SWITCH ASSEMBLY	1	
13	(8R9-82590-20-00)	WIRE HARNESS ASSEMBLY	1	
14	90465-08028-00	CLAMP	2	
15	437-83936-01-00	BAND, SWITCH CORD	1	
16	8M6-85720-00-00	OIL LVL GAUGE ASSEMBLY	1	

Property of [www.SmallEngineDiscount.com](http://www.SmallEngineDiscount.com) - Not for Resale

# ELECTRICAL 2



Ref. No.	Part Number	Description	Qty	Remarks
1	8H8-82550-01-00	ENGINE STOP SWITCH ASSEMBLY	1	
2	8H8-82557-00-00	. NUT	1	
3	8H8-82552-09-00	. CAP, SWITCH	1	
4	88R-W8291-00-00	LEVER HOLDER ASSEMBLY (LEFT)	1	
5	8H8-83912-00-00	. LEVER 1	1	
6	98580-05020-00	. SCREW, PAN HEAD	2	
7	98501-05040-00	. SCREW, PAN HEAD (98502-05040)	1	
8	95701-05300-00	. NUT, NYLON	1	
9	82A-83930-00-00	. LEVER LOCK ASSEMBLY	1	
10	802-83913-00-00	. COLLAR, LEVER 1	1	
11	97780-30312-00	. SCREW, tapping	2	
12	8H8-83950-01-00	BEAM SWITCH ASSEMBLY (8K4-83950-01-00)	1	
13	88R-82530-00-00	STOP SWITCH ASSEMBLY	1	
14	(8M6-83976-00-00)	SWITCH, HANDLE 1	1	
15	8E3-83956-01-00	. CAP 1	1	
16	81G-85130-00-00	REAR REFLECTOR ASSEMBLY	2	
17	878-85133-00-00	TAPE, REFLECTOR	2	

Property of [www.SmallEngineDiscount.com](http://www.SmallEngineDiscount.com) - Not for Resale



# SRX440E

## 1981 SERVICE/HIGH ALTITUDE TUNING DATA

This bulletin replaces S80-017.  
Please remove and destroy bulletin S80-017. ▲ Denotes a change from the original bulletin.

<b>MODEL - IBM I.D. NUMBER</b>	SRX440E	8M6
Starting Engine / Frame Number	RT437-000101 / 8M6-000101	
Dry Vehicle Weight	NA	
<b>ENGINE - Type / Induction System</b>	2-Stroke, 5-Port, Piston Valve, Liquid-Cooled	
Bore x Stroke x Cylinders / Displacement (cc)	66mm x 64mm x 2 / 437cc	
Compression Ratio	6.7: 1	
Piston Skirt Clearance (New / Max)	0.065 ~ 0.070mm / 0.1mm	
Ring End Gap: Top / 2nd	0.35 ~ 0.55mm / ∅	
Ring Groove Clearance: Top / 2nd	0.03 ~ 0.05mm / ∅	
Coolant Type / Mixing Ratio	Ethyl Glycol-Water / 50-50	
<b>CARBURETOR - Mfr. / Type / I.D. Number</b>	Mikuni / B40-38 / 8M6-00L, 8M6-00R	
Quantity / Venturi Size (Measured / Effective)	2 / (40mm / 38mm)	
Main Jet / Main Air Jet	145 / 1.6	
Partial Jet / Slow Jet / Slow Air Jet / Air Screw	∅ / ∅ / 0.7 / ∅	
Pilot Jet / Pilot Screw	90 / 1-3/4 Turns Out	
Needle Jet / Jet Needle-Clip Position / Cutaway / Air Jet	∅ / ∅ / ∅ / 0.8	
HP Jet	HPJ1 - #95 / HPJ2 - L: #87.5 R: #82.5	
Fuel Inlet Valve / Float Level / Fuel Level	1.5 / 53 ±1mm (From Bore Center)	
Idle Speed	1800 ± 100 rpm	
<b>AUTOLUBE - Pump Color / Control Rod Adjustment</b>	Green / 25 ± 1mm @ Pump Assembly @ Idle	
Pump Plunger Stroke: Min / Max	0.25 ~ 0.30mm / 1.72 ~ 1.92mm	
Output @ 200 Strokes: Full Throttle / Idle	8.17 ~ 9.12cc / 1.19 ~ 1.43cc	
<b>DRIVE - Type</b>	V-Belt Automatic	
Engagement rpm / Shift rpm	5000 ± 200 rpm / 9250 ± 100 rpm	
Belt Length / Width / Wear Limit / IBM Number	1175mm / 31.6mm / 26mm / 8M6	
Primary Ratio(s)	3.5:1 ~ 1:1	
Sheave Center to Center / Offset	305 ± 1.5mm / 11 ± 0.5mm	
Primary Spring Color / Length / Rate	Yel-Wht / 84.4mm / 1.75 kg/mm	
Secondary Spring Preload / Part Number / Color	240° / 90508-45286-00 / Yellow	
Secondary Drive Ratio / Chain Pitch-Type / Free play	31-17 / 9.525 No. 35-3 / 10 <sup>-15</sup> mm	
Track Width / Tension	381mm (15 in) / 25 mm @ 10 kg	
<b>CAPACITIES - Chain Case/Pump Gear Case/Qty/Type</b>	250cc / 35 ~ 40cc / SAE 75-80, API GL-3 / Same	
Fuel Tank / Quantity / Grade	22.5 Lit. (6 Gal.) / Regular	
Autolube Tank / Quantity / Type	2.5 Lit. (3 Qts.) / Yamalube 2*	
<b>ELECTRICAL - Mfr. / Type</b>	Hitachi / CDI	
Battery: Model / Specific Gravity / Charge Rate	∅	
Lighting Output At Full Load	11.8V @ 3000 rpm (@ 80°C)	
Headlight / Taillight / Instrument Ratings	12V60-55W / 12V23-8W / 12V3.4W	
Lighting Coil Resistance	Yel ~ Blk / 0.216 Ω ± 10%	
Ignition Source Coil Resistance (Charge Coil)	Brn ~ Red / 225 Ω ± 10% Wht-Red ~ Red / 10 Ω ± 10%	
Pulse Coil Resistance	∅	
Ignition Coil Resistance Primary Ω / Secondary Ω	0.12 Ω ± 10% / 4.0K Ω ± 20%	
Spark Plug Type / Gap / Torque	NGK BR9EV / 0.7 ~ 0.8mm / 2.7 m-kg	
Timing (BTDC) ◀	1.5mm BTDC / 16° @ 9000 rpm	

∅ = Does Not Apply To This Model  
◀ = After Setting Statically, Check With Timing Light

\*Available From Yamaha Parts Distributors Inc.  
NA = Information Not Available

SERVICE COPY	SER MGR	MECH	MECH	MECH	BINDER
OFFICE COPY	GEN MGR	SALES	PARTS	BINDER	PAGE 1 OF 2

### 1981 SRX440E HIGH ALTITUDE SPECIFICATIONS

	STANDARD SETTING	HIGH ALTITUDE
Idle	1800 ± 100 rpm	3000 ~ 3500 rpm
Clutch Engagement	5000 ± 100 rpm	6000 ± 100 rpm
Shift speed	9250 ± 100 rpm	9250 ± 100 rpm
Main Jet	#145	See "Setting Chart"
Pilot Jet	#90	#100
Low Speed Mixture Screw	1-3/4 Turns	5/8 ~ 1-1/8 Turns
Reduction Ratio	17/31	15/33
Primary Spring	Yel-Wht 90501-55403-00 40 x 1.75	Yel 90501-55355-00 65 x 1.75 or Blu-Sil 90501-55356-00 64 x 2.0 ▲
Primary Weight	8M6-17632-00	8M6-17632-70
Primary Weight Rivets	1 Rivet #1 Hole	No Rivets
Secondary Spring Twist	240°	240° ~ 270° As Necessary
Primary Spring Shims	None	Up to 3 Shims
Spider Shim	1 or 2 As Needed	1 or 2 As Needed
HPJ1	#95	#72.5
HPJ2	L: 87.5 R: 82.5	L: 0▶ R: 0▶ 6000 Ft. & Above

NOTE: Pilot jets to be selected according to engine response. ▶ Blind Plug 8M6-14991-00-00

#### ▲ MAIN JET SETTING CHART

Elevation	Temperature					
	-30°C (-22°F)	-20°C (-4°F)	-10°C (14°F)	0°C (32°F)	10°C (50°F)	20°C (68°F)
Sea Level	← #160 →		← #155 →		← #145 →	
600m (2000 ft.)	← #150 →		← #145 →		← #140 →	
1200m (4000 ft.)	← #145 →		← #140 →		← #135 →	
1800m (6000 ft.)	← #140 →		← #135 →		← #130 →	
Install Blind Plug	← #135 →		← #130 →		← #125 →	
2400m (8000 ft.)	← #130 →		← #125 →		← #120 →	
3000m (10,000 ft.)	← #125 →		← #120 →		← #115 →	

#### 1981 SRX440E ALTERNATE PARTS LIST

PILOT JET SIZE	PART NUMBER
# 80	193-14142-80-00
90	193-14142-90-00
95	193-14142-95-00
100	8H9-14142-00-00

GEARING	PART NUMBER
17 T	878-17682-70-00*
15 T	878-17682-50-00
31 T	8M6-47587-10-00*
33 T	8M6-47587-30-00

Property of www.SmallEngineDiscount.com - Not for Resale

**1981 SRX440E HIGH ALTITUDE SPECIFICATIONS**

	STANDARD SETTING	HIGH ALTITUDE
Idle	1800 ± 100 rpm	3000 ~ 3500 rpm
Clutch Engagement	5000 ± 100 rpm	6000 ± 100 rpm
Shift speed	9250 ± 100 rpm	9250 ± 100 rpm
Main Jet	#145	See "Setting Chart"
Pilot Jet	#90	#100
Low Speed Mixture Screw	1-3/4 Turns	5/8 ~ 1-1/8 Turns
Reduction Ratio	17/31	15/33
Primary Spring	Yel-Wht 90501-55403-00 40 x 1.75	Yel 90501-55355-00 65 x 1.75 or Blu-Sil 90501-55356-00 64 x 2.0    Δ
Primary Weight	8M6-17632-00	8M6-17632-70
Primary Weight Rivets	1 Rivet #1 Hole	No Rivets
Secondary Spring Twist	240°	240° ~ 270° As Necessary
Primary Spring Shims	None	Up to 3 Shims
Spider Shim	1 or 2 As Needed	1 or 2 As Needed
HPJ1	#95	#72.5
HPJ2	L: 87.5    R: 82.5	L: 0    R: 0 ▶ 6000 Ft. & Above

NOTE: Pilot jets to be selected according to engine response.      ▶ Blind Plug 8M6-14991-00-00

▲ MAIN JET SETTING CHART

Elevation	Temperature					
	-30°C (-22°F)	-20°C (-4°F)	-10°C (14°F)	0°C (32°F)	10°C (50°F)	20°C (68°F)
Sea Level	← #160 →	← #155 →	← #150 →	← #145 →	← #140 →	← #135 →
600m (2000 ft.)	← #150 →	← #145 →	← #140 →			
1200m (4000 ft.)		← #140 →				
1800m (6000 ft.)	← #145 →			← #135 →		
2400m (8000 ft.)		← #135 →				
3000m (10,000 ft.)	← #140 →			← #130 →		

1981 SRX440E ALTERNATE PARTS LIST

PILOT JET SIZE	PART NUMBER
# 80	193-14142-80-00
90	193-14142-90-00
95	193-14142-95-00
100	8H9-14142-00-00

GEARING	PART NUMBER
17 T	878-17682-70-00*
15 T	878-17682-50-00
31 T	8M6-47587-10-00*
33 T	8M6-47587-30-00

\*Standard

Property of www.SmallEngineDiscount.com - Not for Resale