



YAMAHA

GENUINE

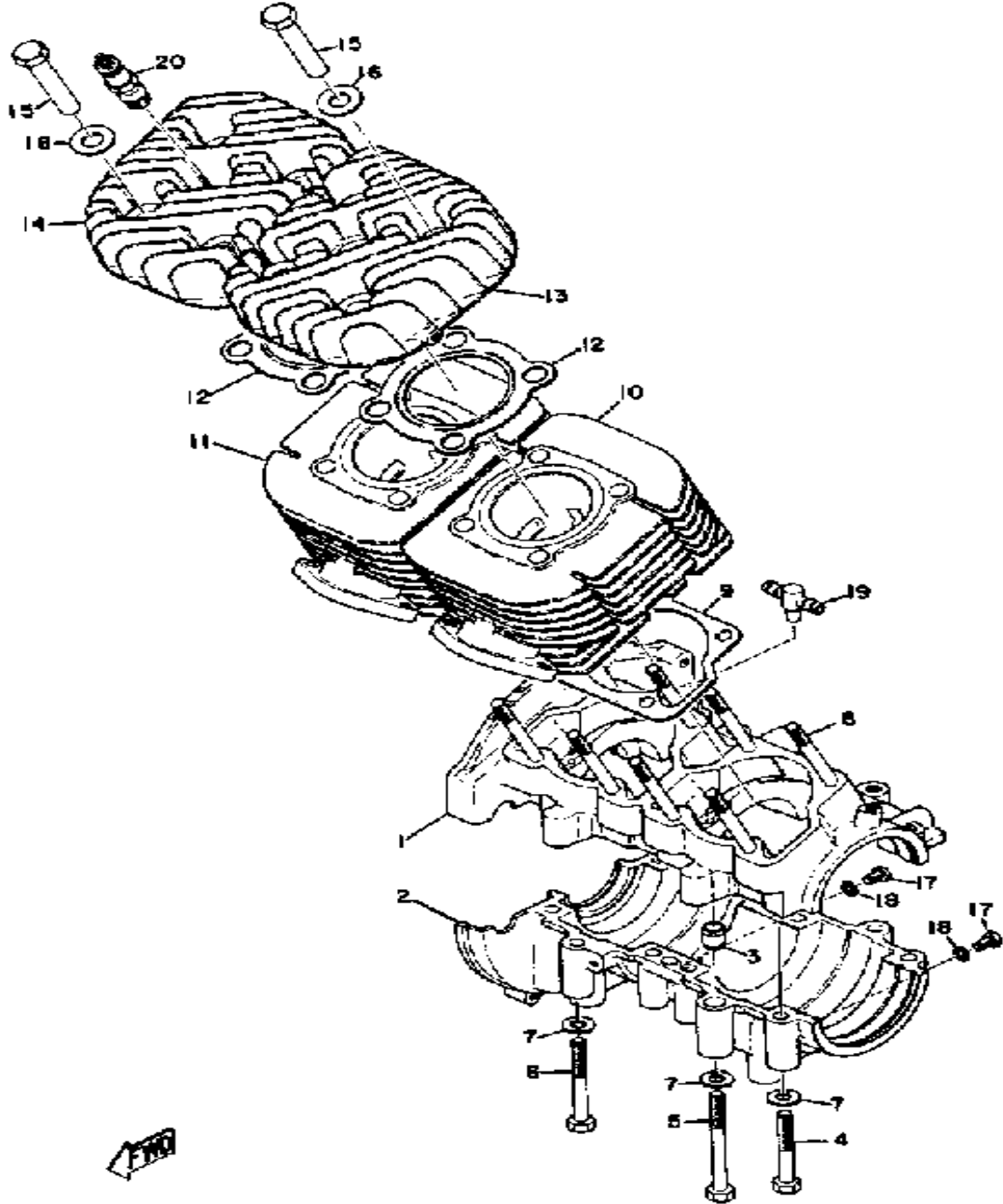
PARTS CATALOGUE

SNOWMOBILE

Property of www.SmallEngineDiscount.com - Not for Resale

A1

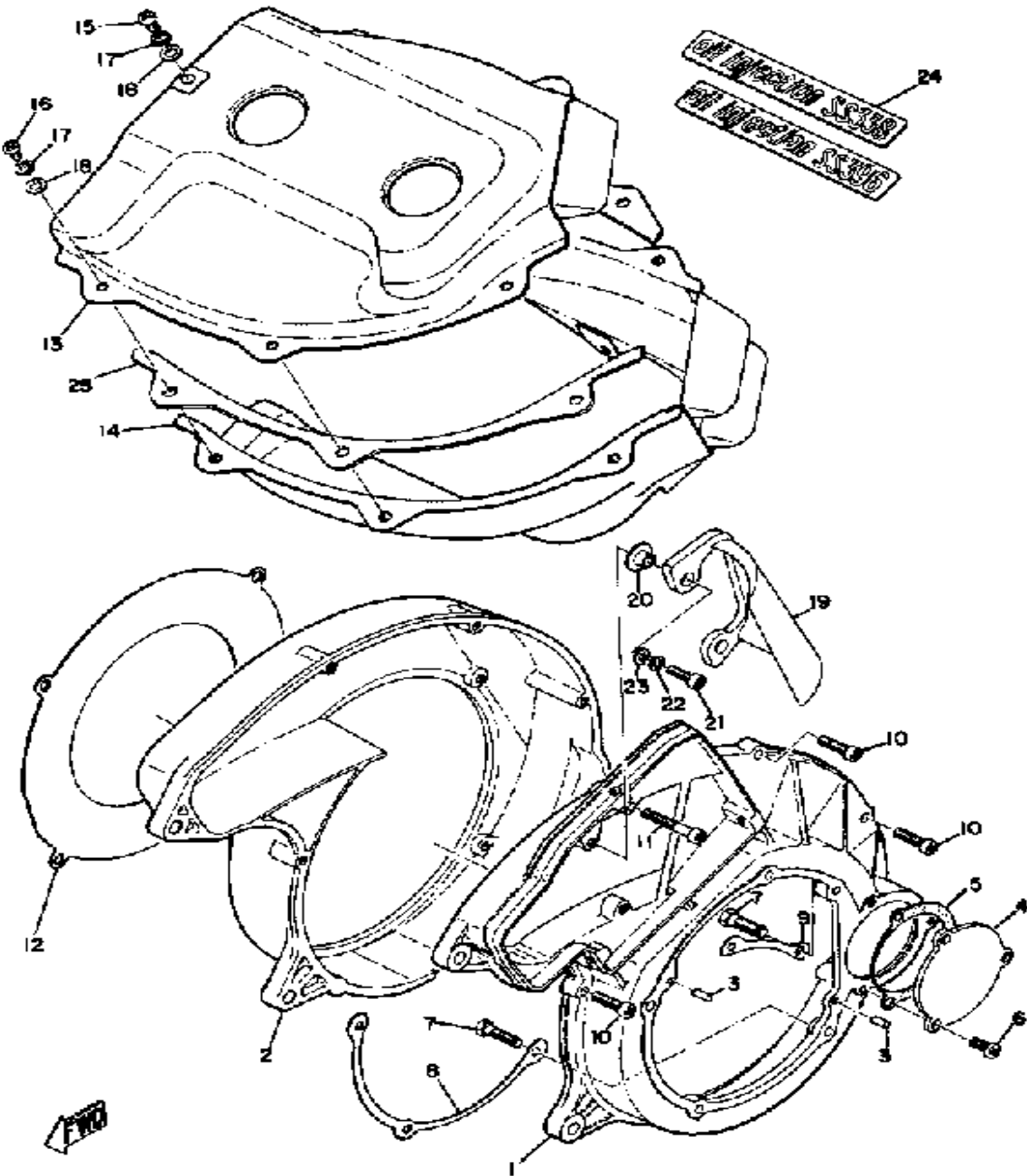
CRANKCASE



Ref. No.	Part Number	Description	Qty	Remarks
1	UNA-VAILA-BL-EI	0 0	11	
2	UNA-VAILA-BL-EI	0 0	11	
3	99510-12016-00	PIN, DOWEL	2	
4	97013-08060-00	BOLT (663)	8	
5	97021-08070-00	BOLT	2	
6	97313-08085-00	BOLT, HEXAGON	2	
7	92990-08200-00	WASHER, PLAIN	12	
8	90116-08064-00	BOLT, STUD	8	
9	807-11351-01-00	GASKET, CYLINDER	2	
10	(806-11311-70-00)	CYLINDER 1	1	
	(809-11311-00-00)	CYLINDER 1	1	
11	(806-11321-70-00)	CYLINDER 2	1	
	809-11321-00-00	CYLINDER 2	1	
12	806-11181-00-00	GASKET, CYLINDER HEAD 1 .	2	
13	(806-11111-70-00)	HEAD, CYLINDER 1	1	
	(809-11111-00-00)	HEAD, CYLINDER 1	1	
14	(806-11121-70-00)	HEAD, CYLINDER 2	1	
	(809-11121-00-00)	HEAD, CYLINDER 2	1	
15	90179-08076-00	NUT, SPEC'L SHAPE	8	
16	92990-12200-00	WASHER, PLAIN	8	
17	98580-06010-00	SCREW, PAN HEAD (92503-06010)	2	
18	90430-06017-00	GASKET	2	
19	(807-24461-00-00)	PIPE, JOINT	1	
20	(94701-00016-00)	SPARK PLUG B9EN	2	U.R.
	(94701-00017-00)	SPARK PLUG B10EN	2	U.R. STD
	(94701-00018-00)	SPARK PLUG B11EN	2	U.R.
-1	(807-15100-00-00)	CRANKCASE ASSEMBLY	1	
12-1	807-11181-00-00	GASKET, CYLINDER HEAD 1 .	2	

Property of www.SmallEngineDiscount.com - Not for Resale

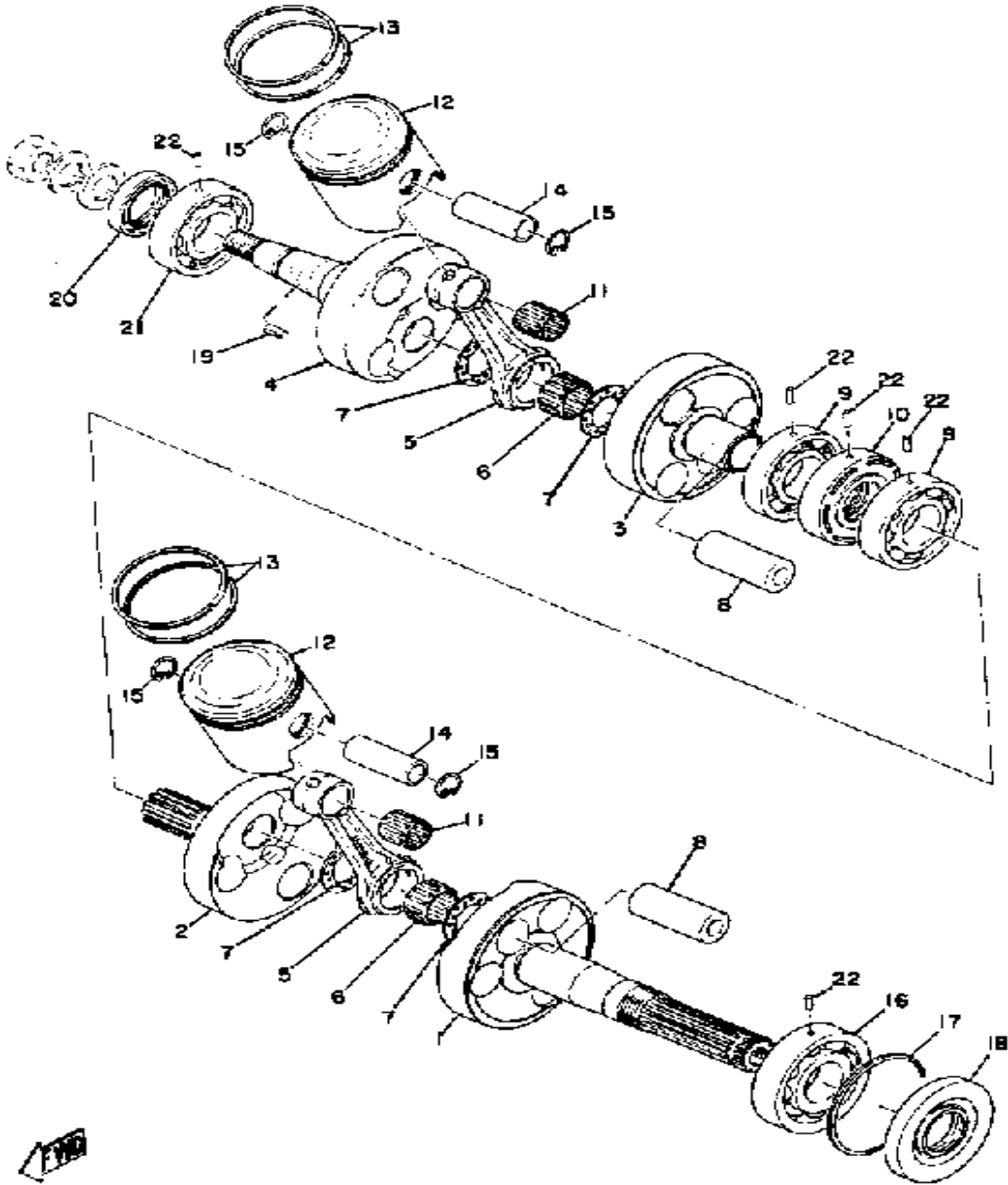
FAN CASE & AIR SHROUD



Ref. No.	Part Number	Description	Qty	Remarks
1	(807-12621-00-00)	CASE, FAN	1	
2	(807-12622-00-00)	CASE, FAN 2	1	
3	93604-14012-00	PIN, DOWEL	2	
4	(807-12633-00-00)	PLATE	1	
5	(807-12663-00-00)	GASKET	1	
6	98901-05016-00	SCREW, BIND (98903-05016-00)	3	
7	(807-12623-00-00)	BOLT	5	
8	(807-12624-00-00)	WASHER, LOCK 1	1	
9	(807-12625-00-00)	WASHER, LOCK 2	1	
10	98511-06025-00	SCREW PAN HEAD (92501-06025)	4	
11	98580-06040-00	SCREW, pan head (92501-06040-00)	1	
12	(807-12631-00-00)	DEFLECTOR 1	1	
13	(807-12651-00-35)	AIR SHROUD, CYLINDER 1	1	
14	(807-12652-00-35)	AIR SHROUD, CYLINDER 2	1	
15	98580-06012-00	SCREW, PAN HEAD	5	
16	98580-06010-00	SCREW, PAN HEAD (92503-06010)	7	
17	92995-06100-00	WASHER, SPRING	12	
18	92990-06200-00	WASHER	12	
19	(807-12632-00-00)	DEFLECTOR 2	1	
20	(90387-07036-00)	COLLAR	2	
21	98580-06020-00	SCREW	2	
22	92995-06100-00	WASHER, SPRING	2	
23	(807-12664-00-00)	WASHER	2	
24	(806-77351-70-00) (809-77351-00-00)	EMBLEM 1	1	
25	(809-12658-00-00)	DAMPER, AIR SHRD 1	1	

Property of www.SmallEngineDiscount.com - Not for Resale

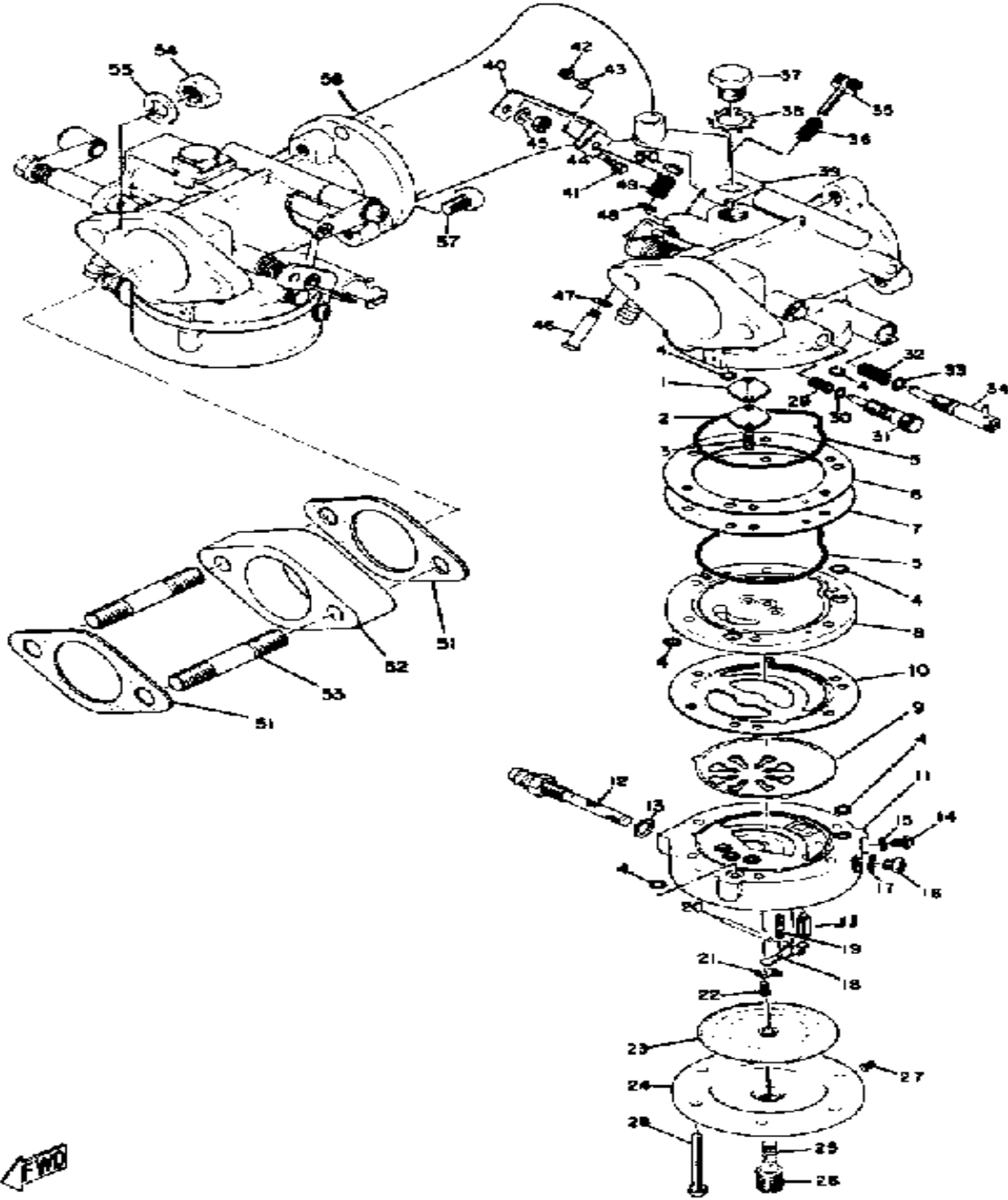
CRANK & PISTON



Ref. No.	Part Number	Description	Qty	Remarks
1	(807-11412-00-00)	CRANK 1	1	
2	(807-11422-00-00)	CRANK 2	1	
3	(807-11432-00-00)	CRANK 3	1	
4	(807-11442-00-00)	CRANK 4	1	
5	8A7-11651-00-00	. ROD, CONNECTING (838-11651-00)	2	
6	93310-42497-00	. BEARING, CYLINDER.# 0 ...	2	
7	90209-24073-00	. WASHER	4	
8	168-11681-00-00	. PIN, CRANK 1	2	
9	93306-20633-00	. BEARING	2	
10	(168-11515-00-00)	SEAL, LABYRINTH 1	1	
11	93310-218A6-00	BEARING	2	
12	(806-11631-70-96)	PISTON . 6	2	
	809-11631-00-96	PISTON .96 (0.96)	2	
13	(806-11611-00-00)	RING, PISTON STD	2	
	807-11601-00-00	PISTON RINGSET STD	2	
14	168-11633-00-00	PIN, PISTON	2	
15	93450-20026-00	CIRCLIP	4	
16	93306-30603-00	BEARING	1	
17	93440-78011-00	CIRCLIP, OUTER	1	
18	93103-32054-00	OIL SEAL, SW-TYPE	1	
19	214-11545-00-00	KEY, WOODRUFF	1	
20	93103-32156-00	OIL SEAL	1	
21	93306-20633-00	BEARING	1	
22	93604-12037-00	PIN, DOWEL	5	
-1	(807-11400-00-00)	CRANKSHAFT ASSEMBLY ...	1	

Property of www.SmallEngineDiscount.com - Not for Resale

CARBURETOR

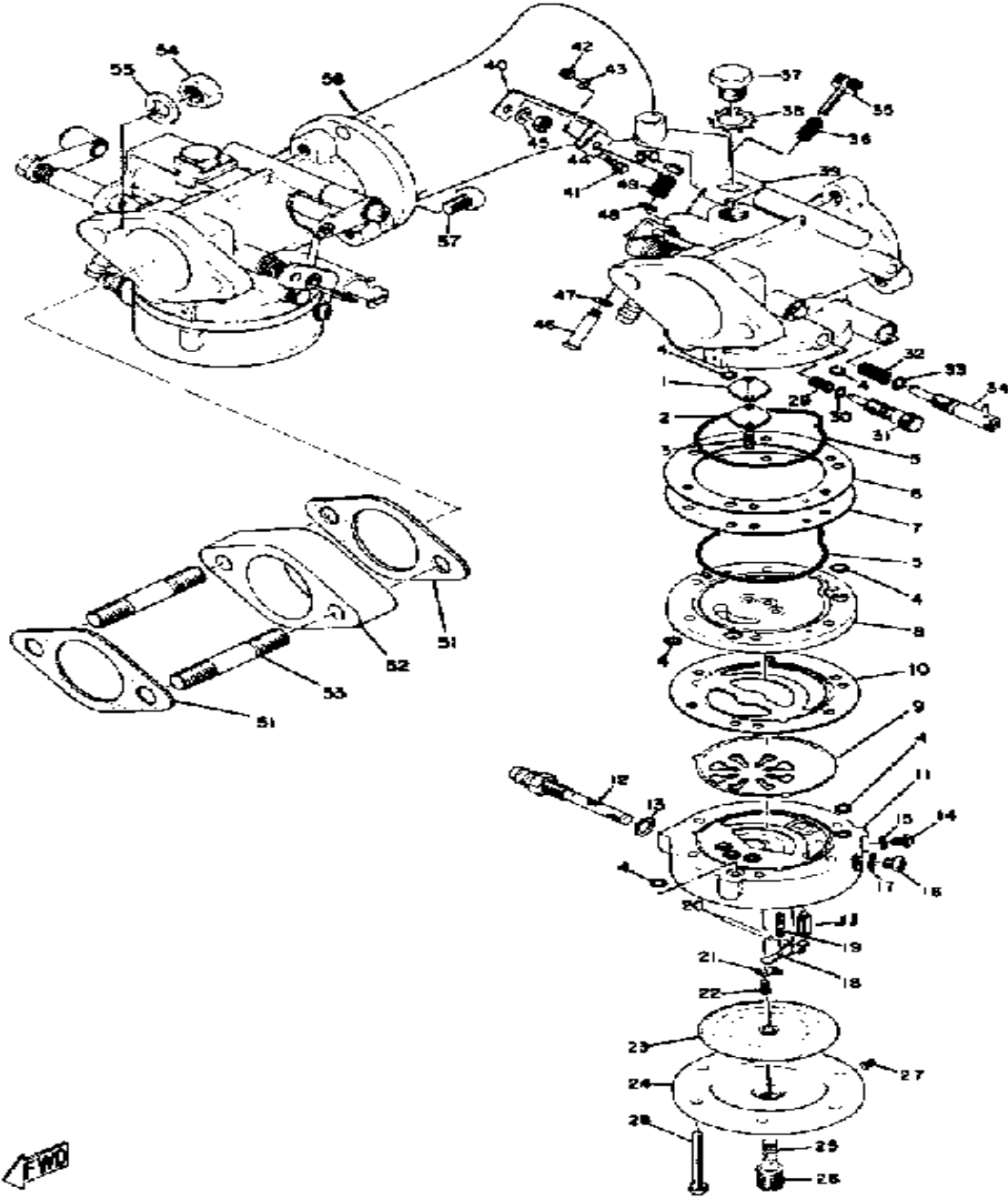


Ref. No.	Part Number	Description	Qty	Remarks
1	(806-14537-00-00)	GASKET	2	
2	(806-14527-00-00)	PLATE	2	
3	98503-04014-00	. SCREW, PAN HEAD	4	
4	(806-14561-00-00)	O-RING	12	
5	806-14562-00-00	. O-RING	4	
6	806-14536-00-00	. GASKET	2	
7	806-14541-00-00	. DIAPHRAGM, PUMP	2	
8	(806-14542-00-00)	BODY, PUMP 1	2	
9	806-14552-01-00	. VALVE, CHECK	2	
10	(806-14553-00-00)	GASKET	2	
11	(806-14543-00-00)	BODY, PUMP 2	2	
12	(806-14568-00-00)	JOINT	2	
13	(806-14558-00-00)	WASHER	2	
14	98511-04006-00	. SCREW, PAN HEAD (98501-04005)	4	
15	806-14559-00-00	. WASHER	4	
16	(806-14567-00-00)	SCREW	2	
17	(806-14557-00-00)	WASHER	2	
18	(806-14547-00-00)	ARM, FLOAT	2	
19	(806-14556-00-00)	SPRING	2	
20	(806-14548-00-00)	PIN, FLOAT ARM	2	
21	(806-14549-00-00)	PLATE, PIN FITTING	2	
22	98580-03008-00	. SCREW, PAN HEAD	2	
23	(806-14545-00-00)	DIAPHRAGM	2	
24	(806-14544-00-00)	BODY, PUMP 3	2	
25	(806-14555-00-00)	SPRING	2	
26	(806-14565-01-00)	SCREW, STOP	2	
27	(806-14566-00-00)	SCREW, STOP	2	
28	(806-14567-00-00)	SCREW	12	

CONTINUED ON NEXT FRAME ►

Property of www.SmallEngineDiscount.com - Not for Resale

CARBURETOR

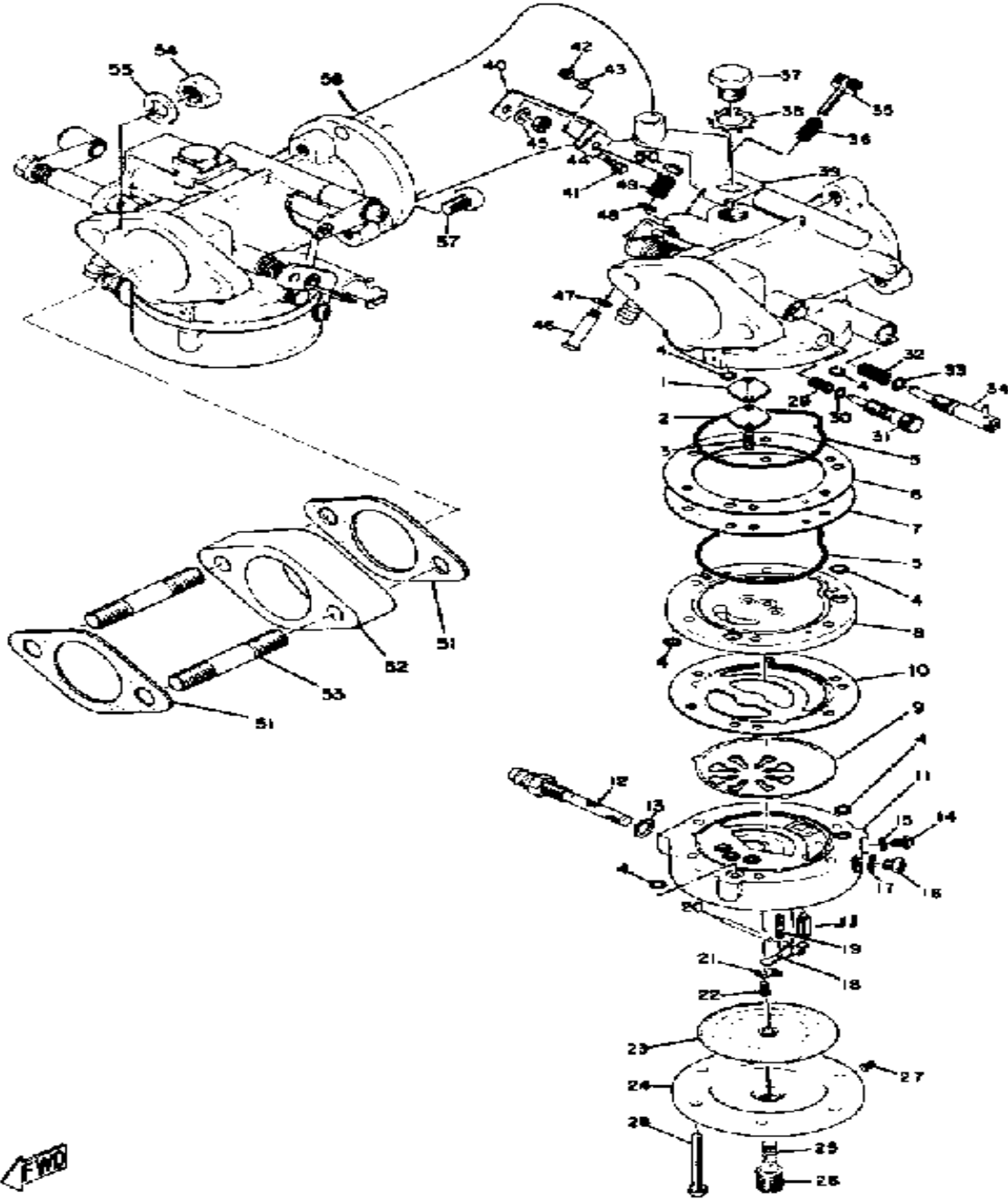


Ref. No.	Part Number	Description	Qty	Remarks
29	(806-14531-00-00)	SPRING, AJST SCREW	2	
30	(806-14563-00-00)	O-RING	2	
31	(806-14522-00-00)	SCREW, ADJUST	2	
32	(806-14533-00-00)	SPRING, AJST SCREW	2	
33	(806-14564-00-00)	O-RING	2	
34	(806-14521-00-00)	SCREW, ADJUST	2	
35	(806-14523-00-00)	SCREW, STOP	1	
36	(806-14533-00-00)	SPRING, AJST SCREW	1	
37	97301-08010-00	. BOLT, HEXAGON	2	
38	92901-08400-00	. WASHER, EX.TOOTH	2	
39	806-14571-00-00	. BRACKET, THROTTLE	1	
40	(806-14588-00-00)	CONNECTOR	1	
41	98503-04014-00	. SCREW, PAN HEAD	1	
42	(806-14595-00-00)	NUT	1	
43	92990-04200-00	. WASHER, PLAIN	1	
44	95380-05600-00	. NUT	1	
45	(806-14598-00-00)	WASHER	1	
46	(806-14591-00-00)	SCREW	1	
47	806-14596-00-00	. WASHER	1	
48	(806-14597-00-00)	WASHER	1	
49	(806-14579-00-00)	SPRING	1	
50	(806-14594-00-00)	NUT	1	
51	807-13556-00-00	GASKET, MANIFOLD	4	
52	(807-13555-00-00)	MANIFOLD, INTAKE	2	
53	(90116-08056-00)	BOLT, STUD	4	
54	95303-08700-00	NUT	4	
55	92990-08100-00	WASHER	4	
56	809-14479-00-00	FUNNEL	2	
57	98503-06014-00	SCREW, PAN HEAD (92502-06016)	6	

CONTINUED ON NEXT FRAME ➤

Property of www.SmallEngineDiscount.com - Not for Resale

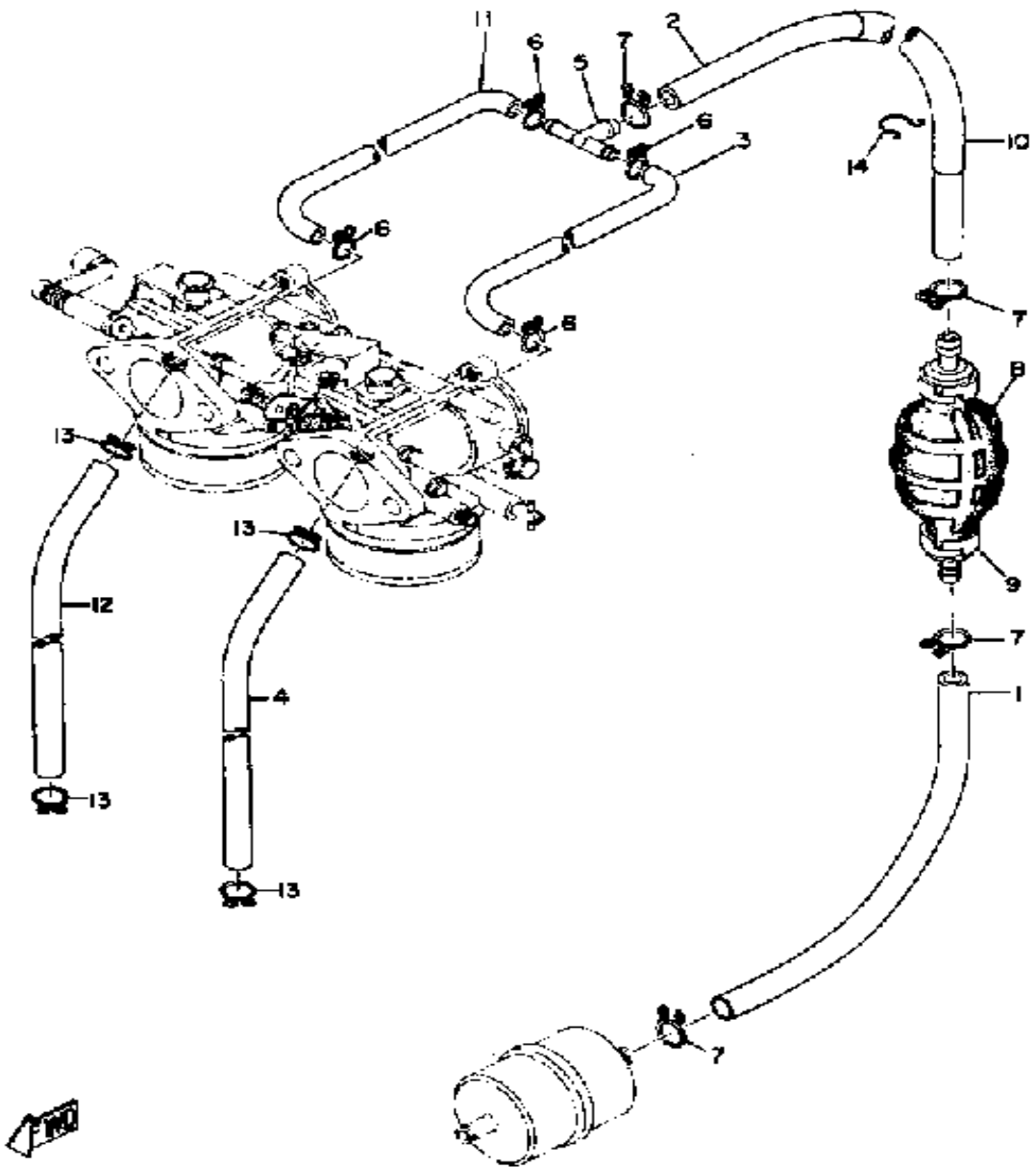
CARBURETOR



Ref. No.	Part Number	Description	Qty	Remarks
58	(806-14500-00-00)	CARBURETOR KIT	1	
	(806-14590-10-00)	VALVE SEAT ASSEMBLY	1	
	(806-14590-20-00)	VALVE SEAT ASSEMBLY	1	
	(90890-91013-00)	CARB IM KIT	1	
-1	(809-14501-00-00)	CARBURETOR ASSEMBLY 1 .	1	
-2	(809-14502-00-00)	CARBURETOR ASSEMBLY 2 .	1	

Property of www.SmallEngineDiscount.com - Not for Resale

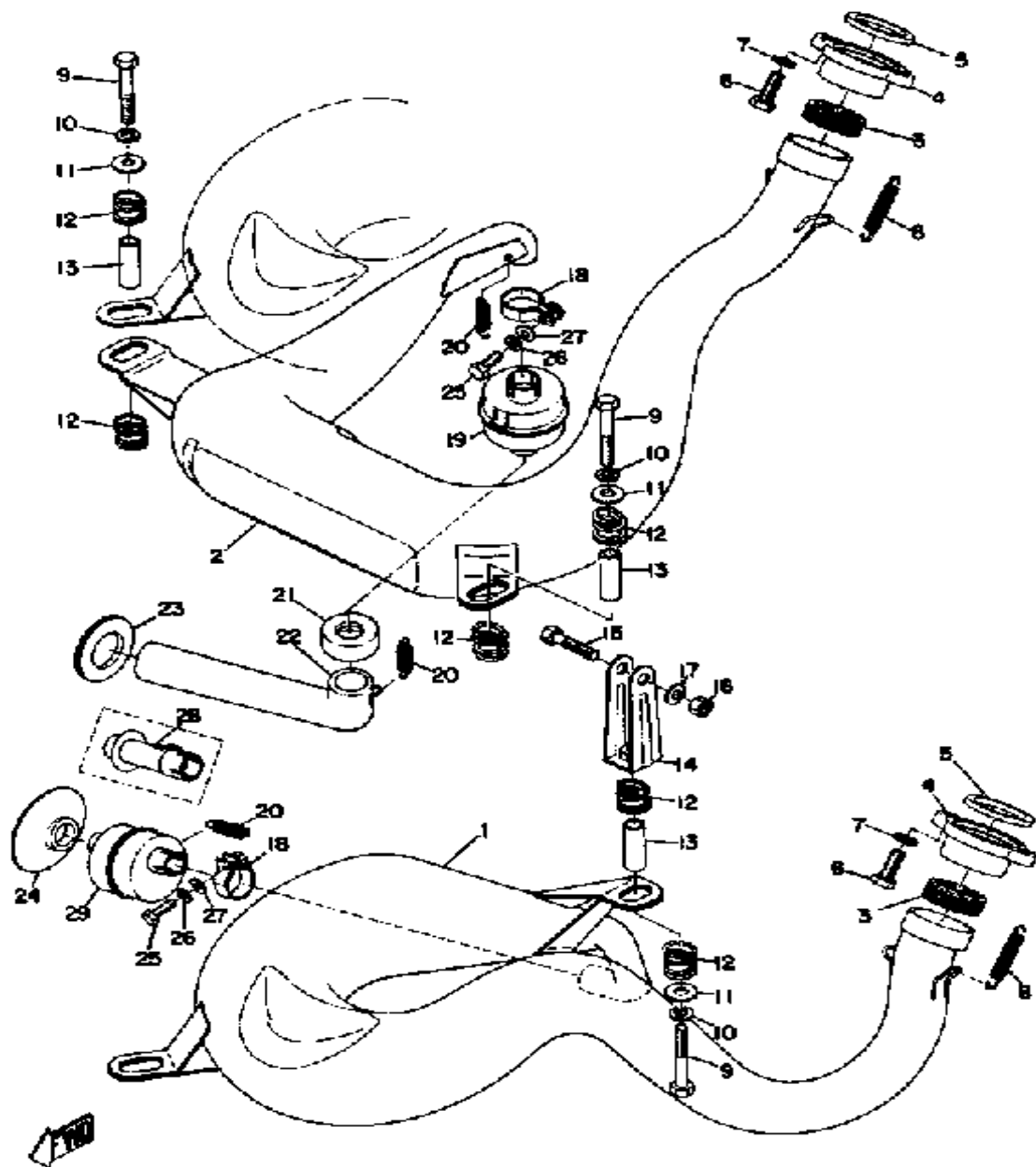
PIPING



Ref. No.	Part Number	Description	Qty	Remarks
1	(90446-11022-00)	HOSE	1	
2	(809-24312-00-00)	PIPE 2	1	
3	(807-24313-00-00)	PIPE 3	1	
4	(807-24316-00-00)	PIPE 6	1	
5	807-24376-00-00	PIPE, JOINT 1	1	
6	90460-09001-00	CLAMP, HOSE	4	
7	90467-10008-00	CLIP	4	
8	810-24360-00-00	PRIMER PUMP ASSEMBLY ...	1	
9	(601-24353-00-00)	BAND	2	
10	(806-24322-00-00)	PIPE 1	1	
11	807-24317-00-00	PIPE 7	1	
12	(90445-10129-00)	HOSE	1	
13	90467-09006-00	CLIP	4	
14	(806-24398-00-00)	BAND 1	1	

Property of www.SmallEngineDiscount.com - Not for Resale

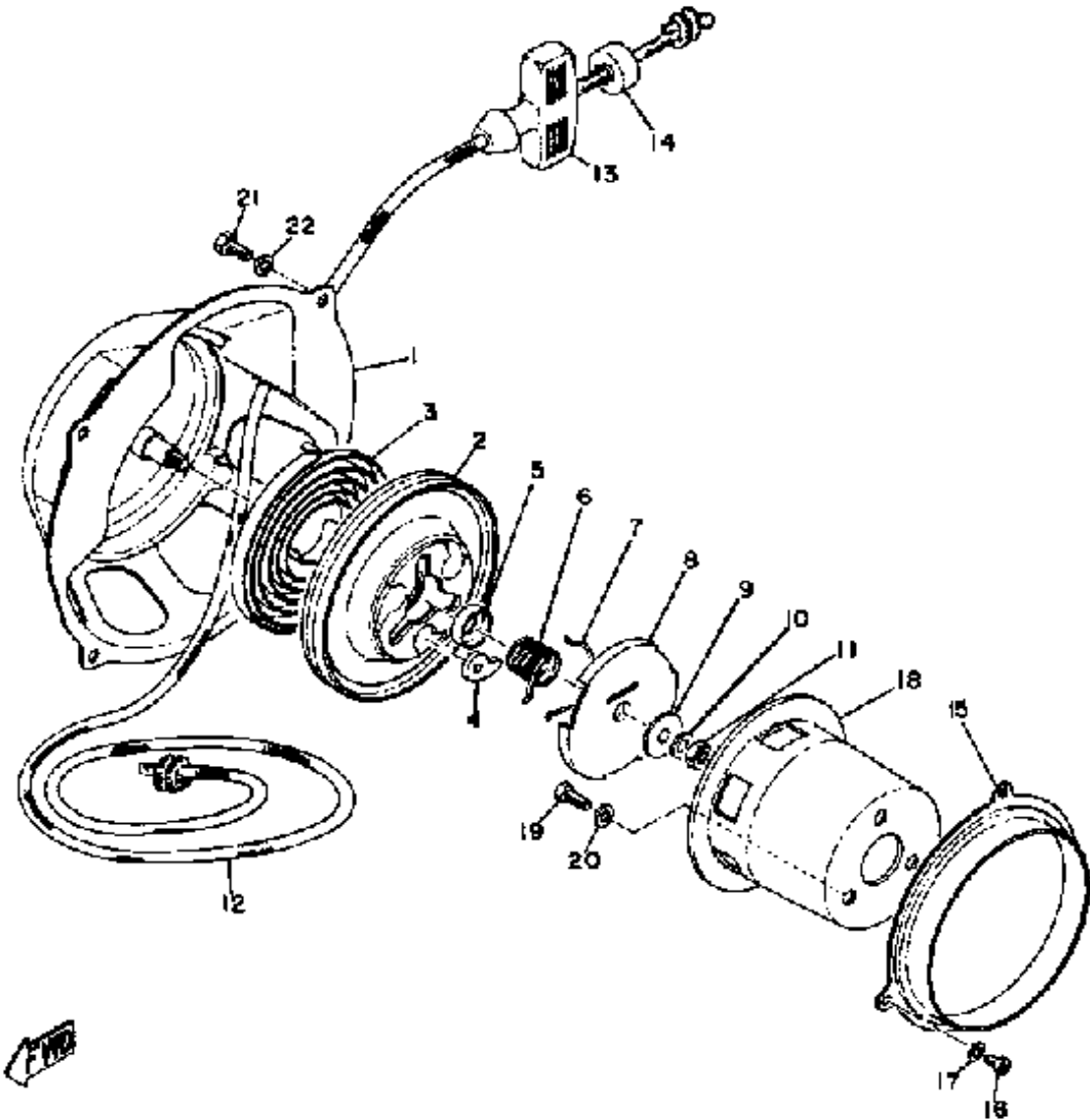
EXHAUST



Ref. No.	Part Number	Description	Qty	Remarks
1	(809-14610-00-00)	EXHAUST PIPE ASSEMBLY L .	1	
2	(809-14620-00-00)	EXHAUST PIPE ASSEMBLY R .	1	
3	(802-14623-00-00)	GASKET, EXST PIPE	2	
4	(802-14612-70-00)	NUT, RING	2	
5	(802-14613-00-00)	GASKET, EXST PIPE	2	
6	97013-08025-00	BOLT	4	
7	92990-08100-00	WASHER	4	
8	90506-12028-00	SPRING, TENSION	4	
9	97013-08060-00	BOLT (663)	3	
10	92990-08100-00	WASHER	3	
11	90201-085E6-00	WASHER PLATE	3	
12	90501-26149-00	SPRING, COMPRESSION (802-14773-00)	6	
13	90387-09071-00	COLLAR (802-14638-00)	3	
14	(809-14791-00-00)	STAY, MUFFLER	1	
15	97313-08040-00	BOLT, HEXAGON (97322-08040)	1	
16	95333-08600-00	NUT	1	
17	92990-08100-00	WASHER	1	
18	(809-14715-00-00)	BAND, MUFFLER	2	
19	(809-14753-00-00)	SILENCER, EXHAUST	2	
20	90506-12029-00	SPRING, TENSION	2	
21	(809-14737-00-00)	DAMPER, MUFFLER	1	
22	(809-14746-00-00)	PIPE, MUFFLER TAIL	1	
23	809-14728-00-00	PROTECTOR, MUFF 2 (2)	1	
24	809-14718-00-00	PROTECTOR, MUFF 1 (1)	1	
25	97313-06020-00	BOLT, HEXAGON	2	
26	92995-06100-00	WASHER, SPRING	2	
27	92990-06200-00	WASHER	2	
28	(809-14784-00-00)	PIPE, TAIL	2	

Property of www.SmallEngineDiscount.com - Not for Resale

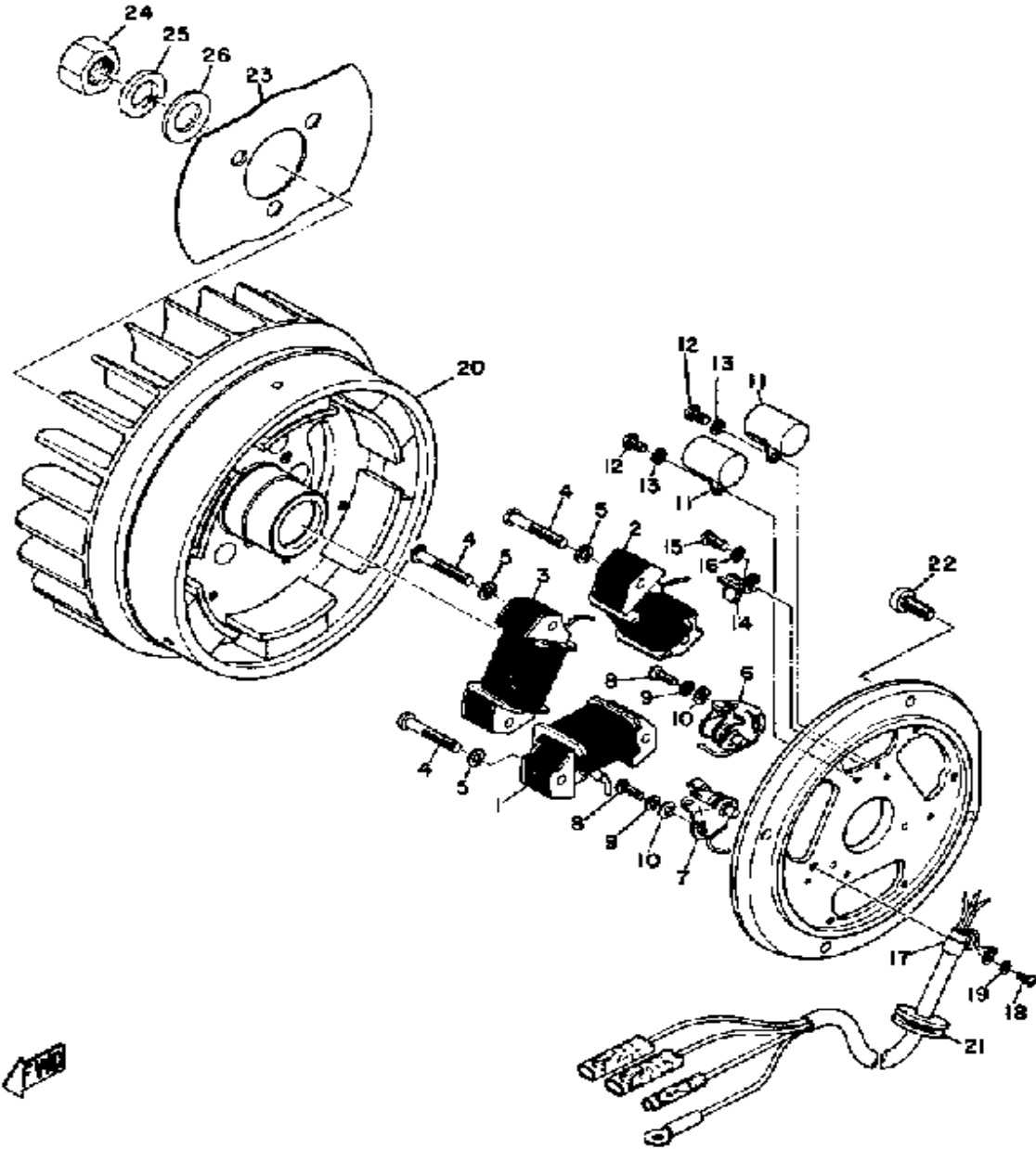
STARTER



Ref. No.	Part Number	Description	Qty	Remarks
1	(807-15711-00-00)	CASE, STARTER	1	
2	(807-15714-00-00)	DRUM, SHEAVE	1	
	802-15713-00-00	. SPRING, STARTER	1	
4	(626-15741-01-00)	PAWL, DRIVE	3	
5	(807-15719-00-00)	WASHER, THRUST	1	
6	626-15715-01-00	. SPRING, DRIVE PLATE (807-15715-00)	1	
7	807-15784-00-00	. SPRING, RETURN	1	
8	626-15716-00-00	. PLATE, DRIVE	1	
9	807-15726-01-00	. WASHER, FLAT	1	
10	92990-08100-00	. WASHER	1	
11	95303-08700-00	. NUT	1	
12	(807-15751-00-00)	ROPE, STARTER	1	
13	807-15755-00-00	. HANDLE, STARTER	1	
14	619-15756-00-00	. CONNECTOR 1	1	
15	(807-15782-00-00)	COVER, SHEAVE	1	
16	98580-05010-00	. SCREW, PAN HEAD	3	
17	92990-05100-00	. WASHER, SPRING	3	
18	(807-15723-00-00)	PULLEY, STARTER	1	
19	97313-08016-00	BOLT, HEXAGON	3	
20	92990-08100-00	WASHER	3	
21	97313-06016-00	BOLT, HEXAGON	4	
22	92995-06100-00	WASHER, SPRING	4	
-1	(821-15710-00-00)	STARTER ASSEMBLY	1	

Property of www.SmallEngineDiscount.com - Not for Resale

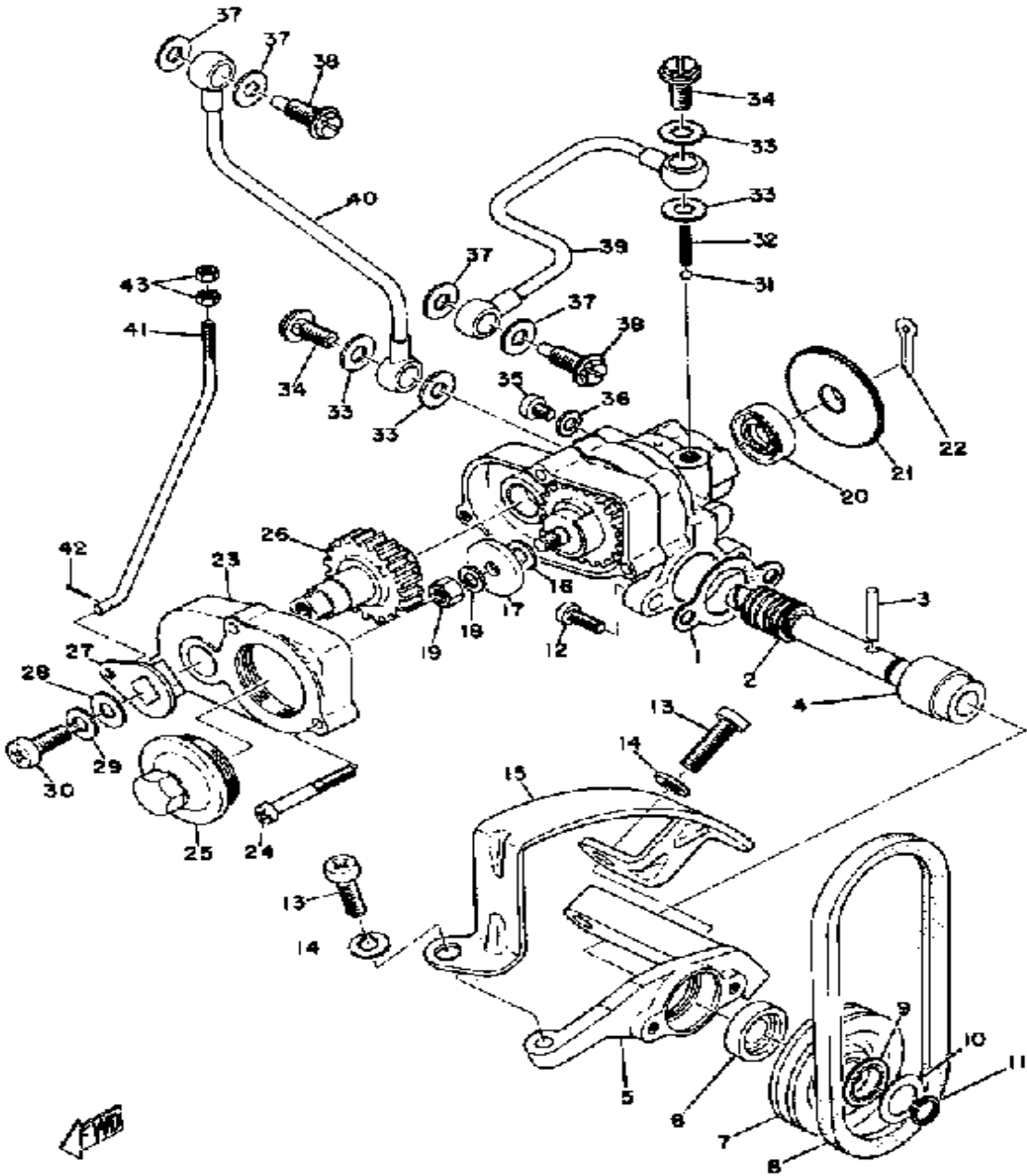
FLYWHEEL MAGNETO



Ref. No.	Part Number	Description	Qty	Remarks
1	(806-81311-20-00)	COIL, IGNITION 1	1	
2	806-81312-20-00	. COIL, SOURCE (R.H)	1	
3	(806-81313-20-00)	COIL, LIGHTING 1	1	
4	802-81345-20-00	. SCREW, PAN HEAD	6	
5	92990-05100-00	. WASHER, SPRING	6	
6	806-81321-20-00	. CONTACT BRKR ASSEMBLY	1	
7	1M1-81321-20-00	. CONTACT BRKR ASSEMBLY (R.H) (806-81322-20)	1	
8	110-81346-21-00	. SCREW, PAN HEAD	2	
9	92901-04100-00	. WASHER, SPRING	2	
10	92990-04200-00	. WASHER, PLAIN	2	
11	802-81325-90-00	. CONDENSER 1	2	
12	110-81346-21-00	. SCREW, PAN HEAD	2	
13	92901-04100-00	. WASHER, SPRING	2	
14	116-81331-20-00	. LUBRICATOR	2	
15	110-81346-21-00	. SCREW, PAN HEAD	2	
16	92901-04100-00	. WASHER, SPRING	2	
17	104-81328-20-00	. CLAMP	1	
18	98580-04008-00	. SCREW, PAN HEAD	1	
19	92901-04100-00	. WASHER, SPRING	1	
20	(806-81350-20-00)	ROTOR ASSEMBLY	1	
21	(104-81329-00-00)	GROMMET	1	
22	98503-06014-00	SCREW, PAN HEAD (92502-06016)	4	
23	(807-81362-00-00)	COVER, HOLE	1	
24	90170-16182-00	NUT	1	
25	92901-16100-00	WASHER, SPRING	1	
26	(92901-16247-00)	WASHER	1	
-1	(806-81300-20-00)	FLYWHL MAGNETO ASSEMBLY	1	

Property of www.SmallEngineDiscount.com - Not for Resale

OIL PUMP

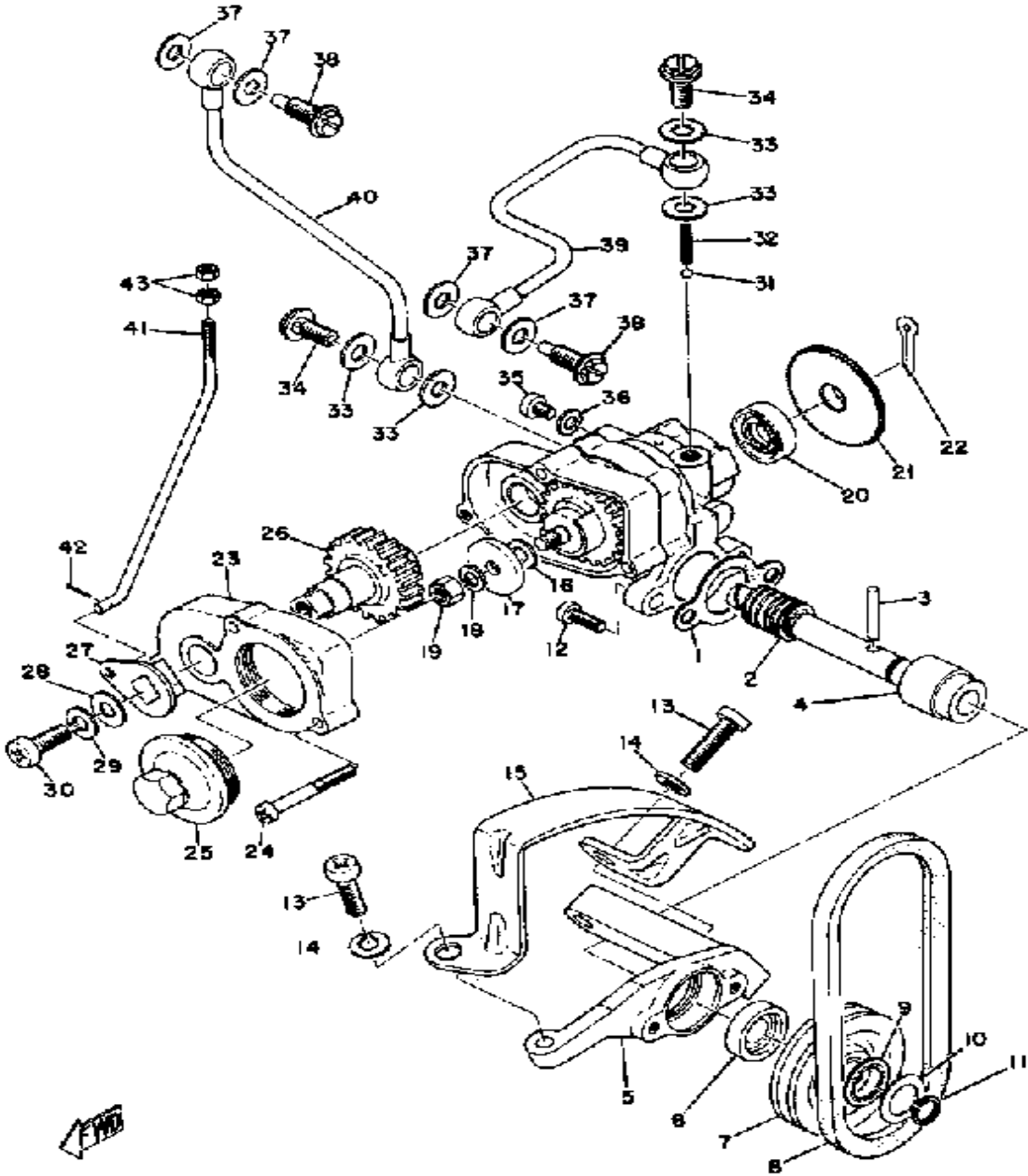


Ref. No.	Part Number	Description	Qty	Remarks
1	3MT-13116-00-00	GASKET, PUMP CASE (8Y0-13116-00)	1	
2	(802-13175-00-00)	SHAFT, WORM	1	
3	93603-22028-00	PIN, DOWEL	1	
4	1E7-13176-00-00	METAL, WRM SHAF OTR	1	
5	(807-13199-00-00)	BRACKET, PUMP	1	
6	93101-10002-00	OIL SEAL	1	
7	807-13178-00-00	GEAR, PUMP DRIVE	1	
8	808-13189-00-00	BELT (810-13189-00)	1	
9	90206-11016-00	WASHER, WAVE	1	
10	137-13148-00-00	PLATE, CAM THRUST	1	
11	99009-10400-00	CIRCLIP	1	
12	98580-05016-00	SCREW, PAN HEAD	2	
13	98580-06020-00	SCREW	2	
14	92995-06100-00	WASHER, SPRING	2	
15	(806-77323-00-00)	PROTECTOR, DRIVE	1	
16	137-13137-00-10	. SHIM (1.0T)	1	
17	137-13138-01-00	. PLATE, ADJUSTING	1	
18	92990-05100-00	. WASHER, SPRING	1	
19	95380-05600-00	. NUT	1	
20	93101-10090-00	. OIL SEAL	1	
21	(137-13128-00-00)	PLATE, STARTER	1	
22	91401-12018-00	. PIN, COTTER	1	
23	(807-13146-00-00)	COVER, AJST PULLEY	1	
24	98501-04035-00	. SCREW, PAN HEAD	2	
25	(807-13143-00-00)	CAP, PUMP CASE	1	
26	(807-13154-00-00)	GEAR, PUMP CONTROL	1	
27	(807-13156-00-00)	LEVER, PUMP CONTROL	1	
28	92990-06200-00	. WASHER	1	

CONTINUED ON NEXT FRAME ►

Property of www.SmallEngineDiscount.com - Not for Resale

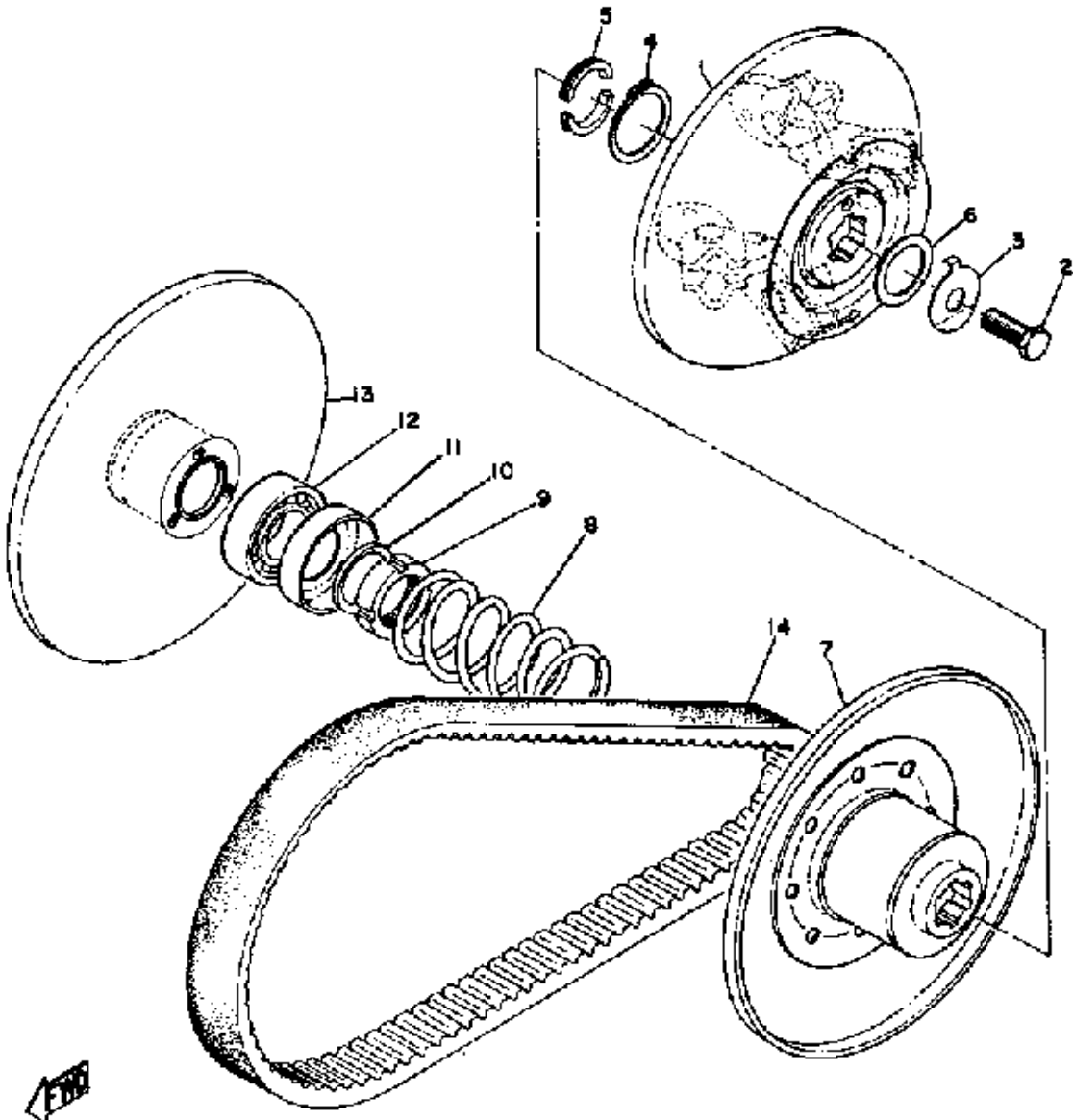
OIL PUMP



Ref. No.	Part Number	Description	Qty	Remarks
29	92995-06100-00	. WASHER, SPRING	1	
30	98503-06014-00	. SCREW, PAN HEAD (92502-06016)	1	
31	93505-42002-00	. UNAVAILABLE IN PRICE BOOK (5/32 INCH)	2	
32	(90501-02017-00)	SPRING, COMPRESSION	2	
33	90430-06011-00	. GASKET	4	
34	90401-06001-00	. BOLT, UNION	2	
35	98511-04006-00	. SCREW, PAN HEAD (98501-04005)	1	
36	90430-04004-00	. GASKET	1	
37	90430-06011-00	GASKET	4	
38	90401-06011-00	BOLT, UNION	2	
39	(807-13161-00-00)	PIPE, DELIVERY 1	1	
40	(807-13171-00-00)	PIPE, DELIVERY 2	1	
41	(807-13157-00-00)	ROD, PUMP CONTROL	1	
42	91490-12012-00	PIN, COTTER	1	
43	95380-03600-00	NUT	2	
-1	(807-13101-01-00)	OIL PUMP ASSEMBLY	1	
-2	809-13101-00-00	OIL PUMP ASSEMBLY	1	

Property of www.SmallEngineDiscount.com - Not for Resale

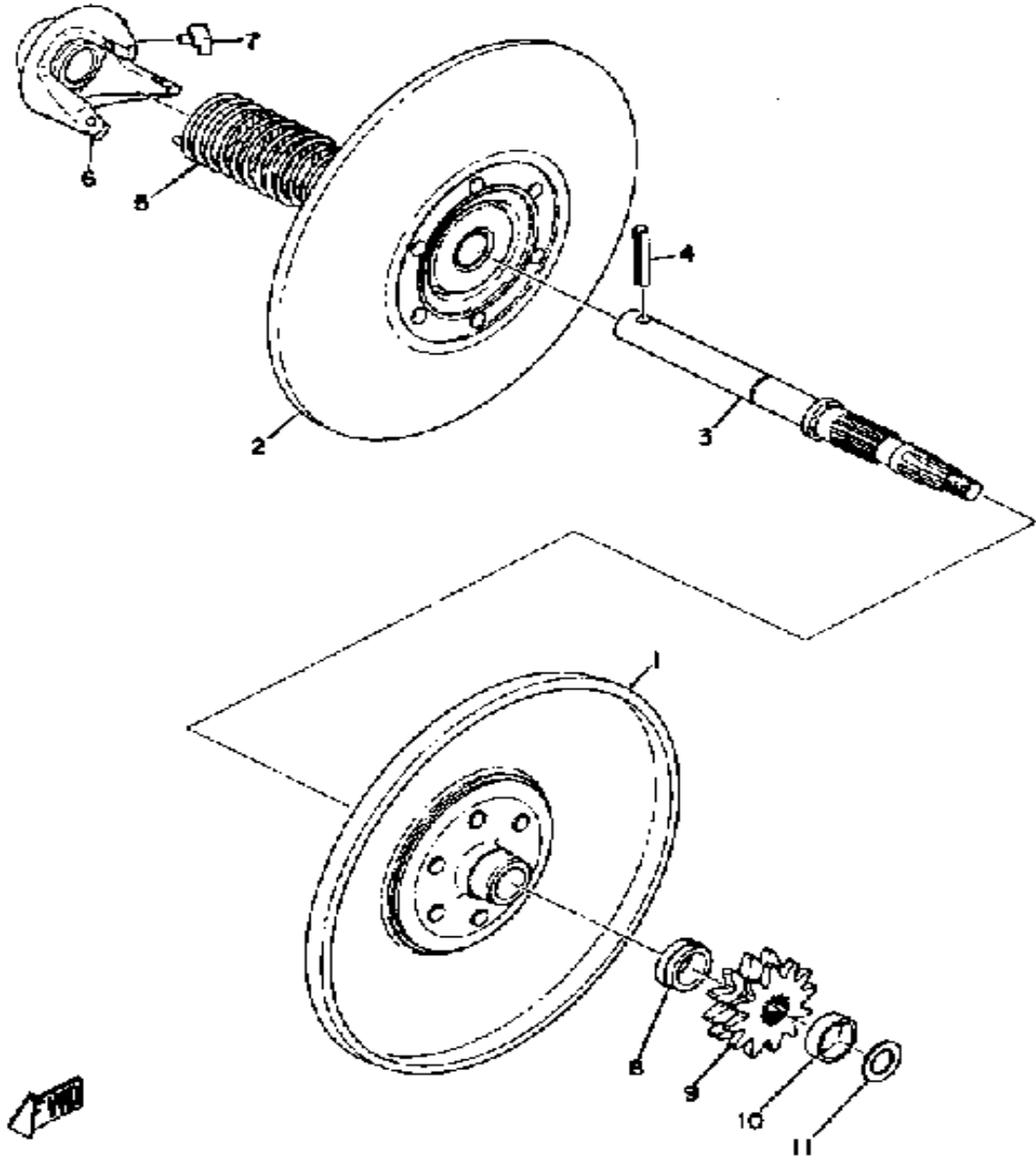
PRIMARY SHEAVE



Ref. No.	Part Number	Description	Qty	Remarks
1	(806-17630-00-00)	PRI SHV CAP	1	
2	(90109-10080-00)	BOLT	1	
3	90215-11080-00	WASHER, LOCK (810-17646-00)	1	
4	99009-30400-00	CIRCLIP	1	
5	806-17645-00-00	COLLAR	2	
6	(90201-10370-00)	WASHER, PLATE	1	
7	(806-17620-00-00)	PRI SLIDG SHEAVE	1	
8	(90501-45163-00)	SPRING, COMPRESSION	1	
9	90179-28079-00	NUT, SPEC'L SHAPE	1	
10	90208-28003-00	WASHER, CONICAL SPR	1	
11	806-17644-00-00	SEAT, SPRING	1	
12	93306-20567-00	BEARING	1	
13	(806-17610-00-00)	PRI FIXED SHEAVE	1	
14	820-17641-00-00	V-BELT	1	

Property of www.SmallEngineDiscount.com - Not for Resale

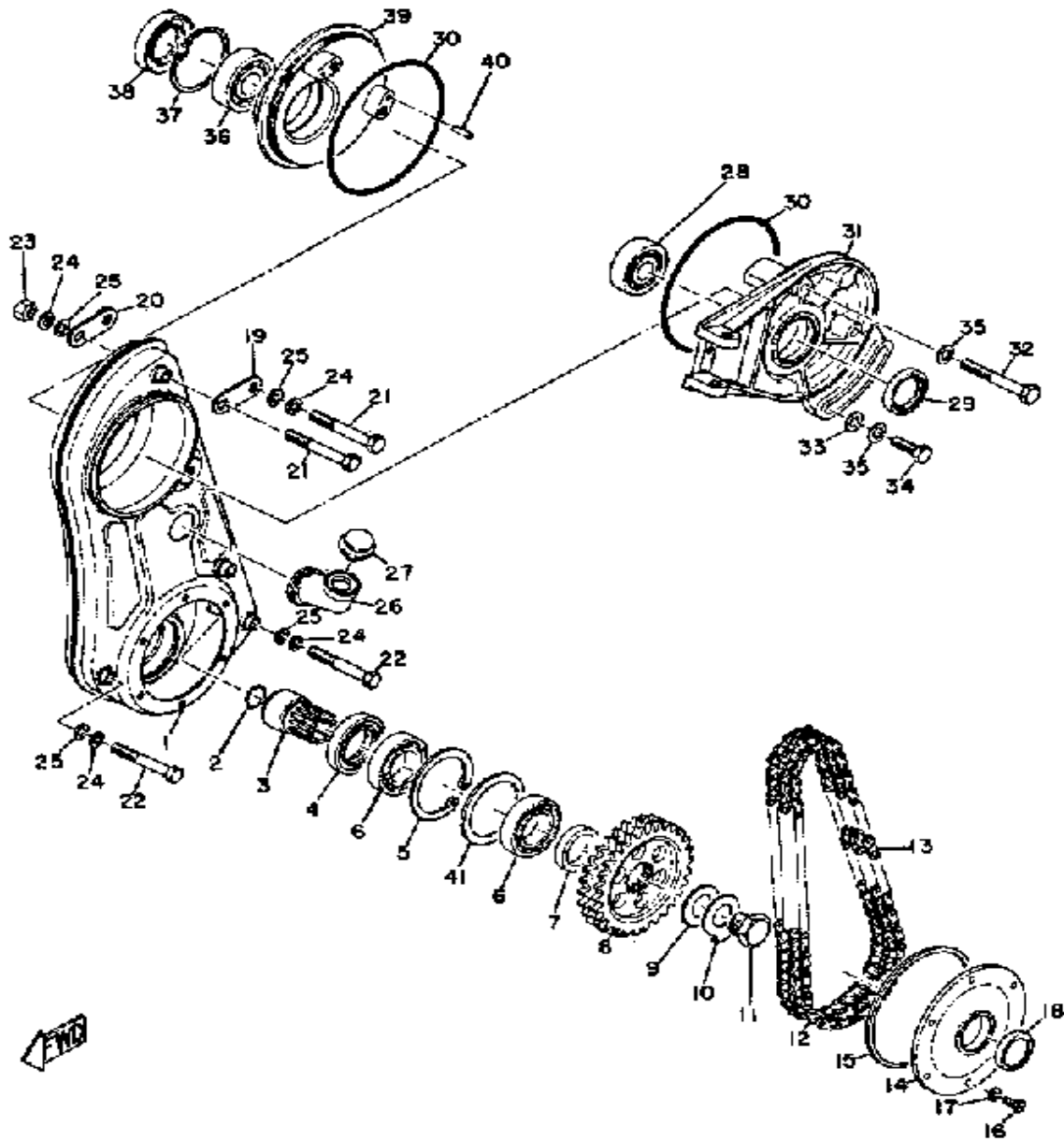
SECONDARY SHEAVE



Ref. No.	Part Number	Description	Qty	Remarks
1	(810-17660-00-00)	SEC FXD SHV	1	
2	(806-17670-00-00)	SEC SLIDING SHEAVE	1	
3	(806-17681-00-00)	SHAFT, SECONDARY	1	
4	91609-80040-00	PIN, SPRING	1	
5	90508-40080-00	SPRING, TORSION	1	
6	(806-17684-00-00)	SEAT, SEC SPRING	1	
7	801-17688-10-00	SHOE, RAMP	3	
8	90387-19149-00	COLLAR (812-17685-00)	1	
9	802-17682-40-00	SPRKT, CHAIN DR 13TCHAIN DRIVE (13T) (806-17682-30-0) .	1	
	806-17682-20-00	SPROCKET, CHAIN DRIVE (12T)	1	
10	90387-17133-00	COLLAR	1	
11	(150-17417-00-03)	SHIM 1	1	U.R.
	150-17417-00-02	SHIM 1	1	U.R.

Property of www.SmallEngineDiscount.com - Not for Resale

TRACK DRIVE

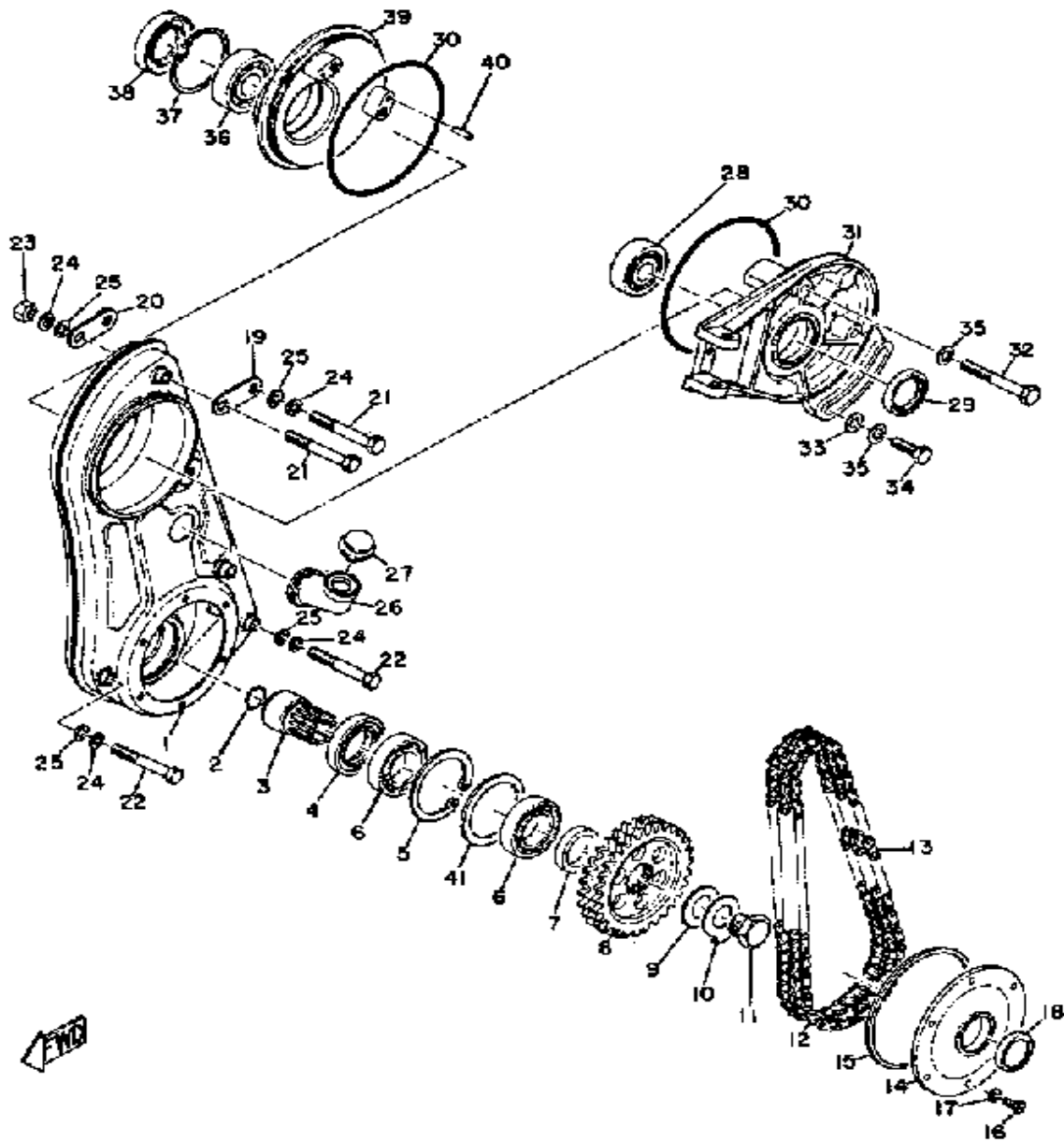


Ref. No.	Part Number	Description	Qty	Remarks
1	806-47541-00-00	HOUSING, CHAIN	1	
2	93210-25070-00	O-RING	1	
3	(806-47571-00-00)	JOURNAL 1	1	
4	(93110-40001-00)	OIL SEAL, SWO-TYPE	1	
5	93420-62070-00	CIRCLIP 54G	2	
6	(93316-00701-00)	BEARING, CYLINDER.# 6	2	
7	90387-35205-00	COLLAR	1	
8	(802-47548-40-00)	SPROCKET, CHN DRVN	1	
9	(802-47548-60-00)	SPROCKET, CHN DRVN	1	
10	(802-47555-00-00)	WASHER	1	
11	(802-47554-10-00)	WASHER, LOCK	1	
12	90109-24202-00	BOLT (802-47553-00)	1	
13	94804-25062-00	CHAIN (DK425-2 62L)	1	
14	94904-25001-00	. JOINT CHAIN	1	
15	(806-47543-00-00)	CAP, HOUSING	1	
16	(806-47558-00-00)	RING, HOUSING	1	
17	90143-05004-00	SCREW, HEXAGON	6	
18	90210-05005-00	WASHER, SEAL	6	
19	(802-47565-00-00)	STAY 1	1	
20	802-47546-01-00	LEVEL, OIL	1	
21	(802-47566-00-00)	STAY 2	1	
22	97306-08070-00	BOLT, HEXAGON (ISO) (97206-08070)	2	
23	97021-08070-00	BOLT	3	
24	95336-08600-00	NUT	1	
25	92990-08100-00	WASHER	5	
26	92990-08200-00	WASHER, PLAIN	5	
27	(801-47547-00-00)	FILLER, OIL	1	
28	(204-15371-00-00)	BREATHER	1	

CONTINUED ON NEXT FRAME ➤

Property of www.SmallEngineDiscount.com - Not for Resale

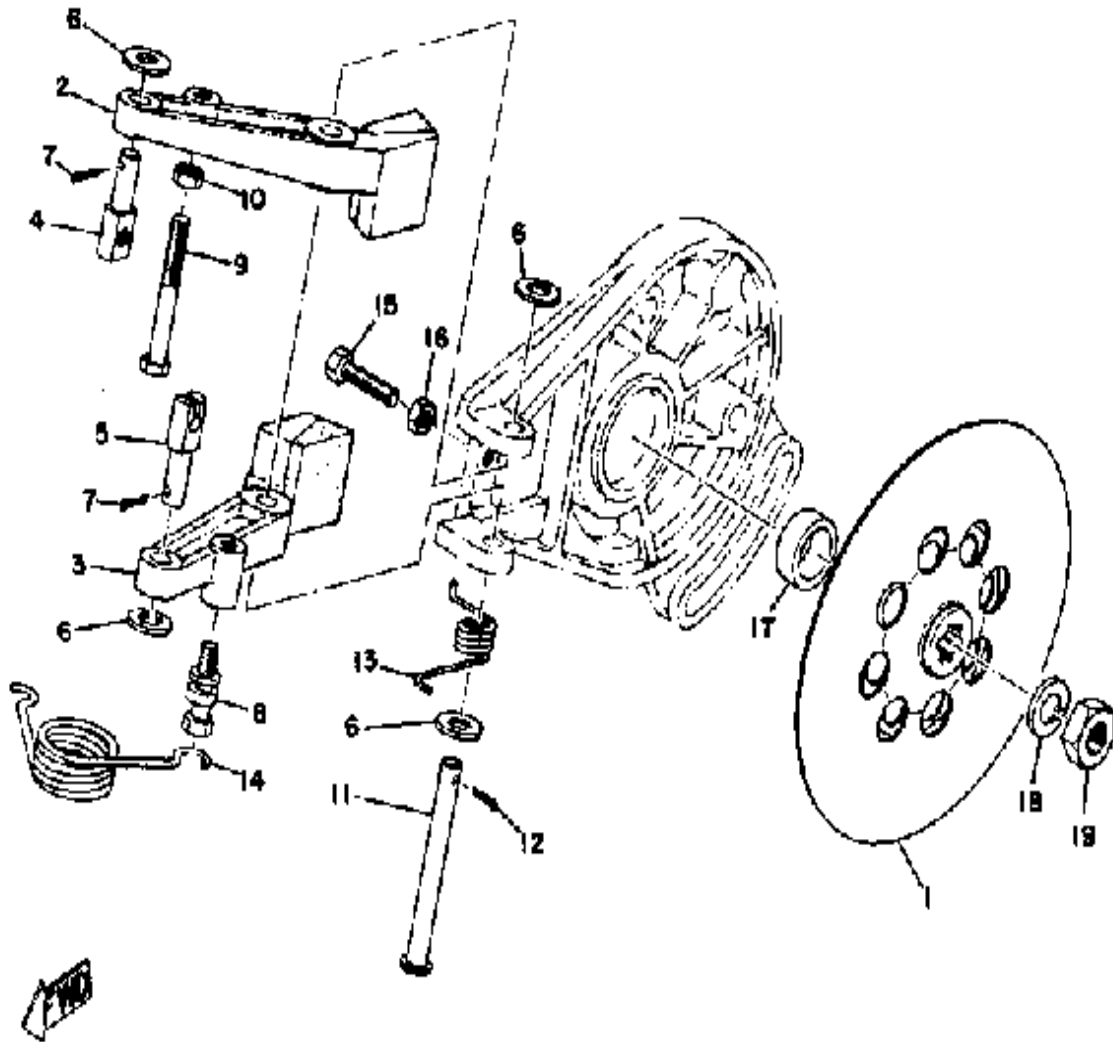
TRACK DRIVE



Ref. No.	Part Number	Description	Qty	Remarks
28	93306-30302-00	BEARING	1	
29	93102-25360-00	OIL SEAL	1	
30	93211-13109-00	O-RING	2	
31	(806-47561-00-00)	HOUSING, SEC SHAFT	1	
32	97021-08065-00	BOLT	2	
33	92990-08200-00	WASHER, PLAIN	1	
34	97013-08025-00	BOLT	1	
35	92990-08100-00	WASHER	3	
36	93306-30421-00	BEARING (B6304C3)	1	
37	99009-52500-00	CIRCLIP	1	
38	93102-30072-00	OIL SEAL, SD-TYPE	1	
39	(806-47562-00-00)	HOUSING, SEC SHAFT	1	
40	93604-18058-00	PIN, DOWEL	2	
41	90560-35050-00	SPACER	1	

Property of www.SmallEngineDiscount.com - Not for Resale

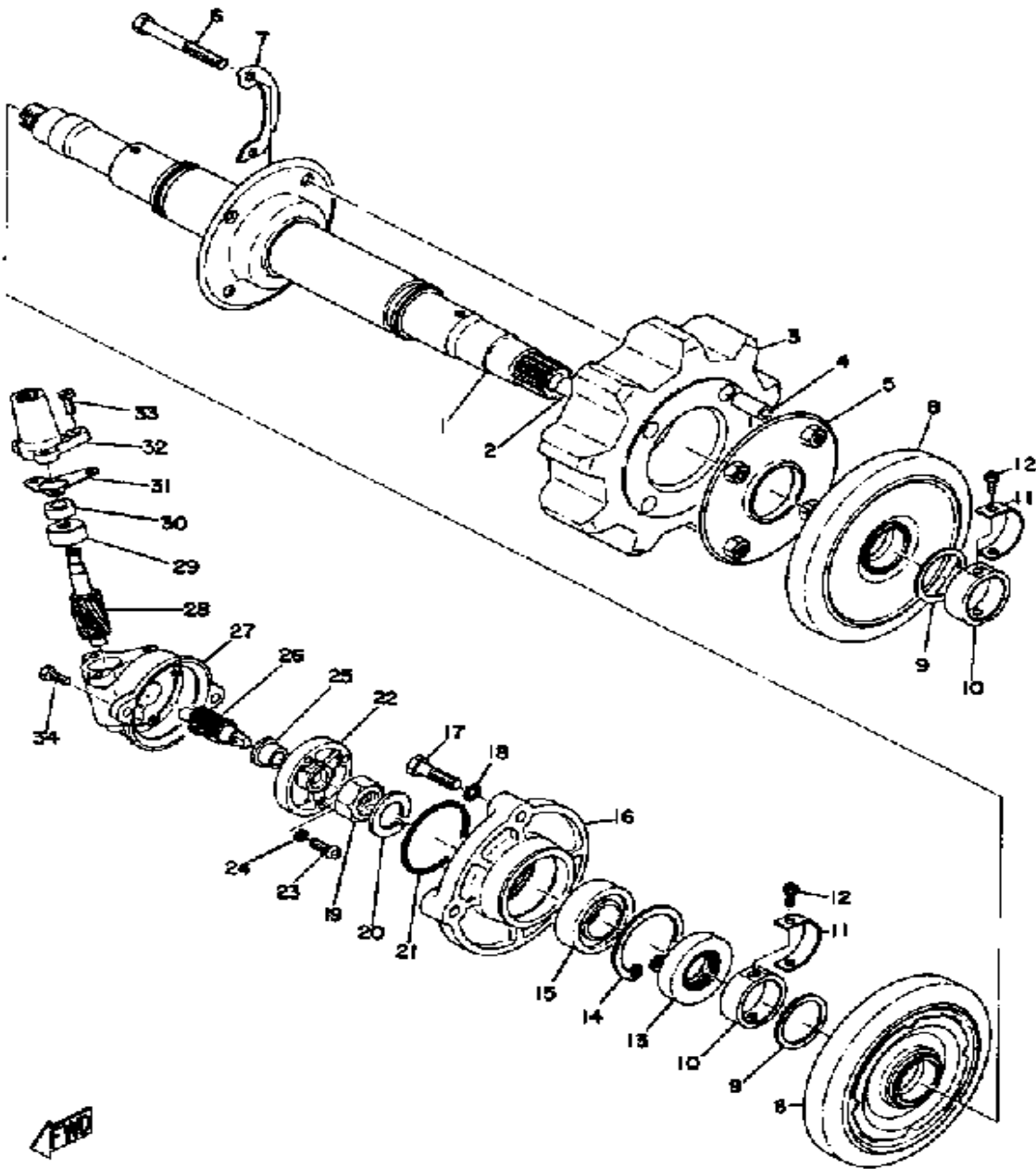
BRAKE



Ref. No.	Part Number	Description	Qty	Remarks
1	(806-25711-00-00)	DISC, BRAKE	1	
2	(806-25730-00-00)	CALIPER BODY 1	1	
3	(806-25740-00-00)	CALIPER BODY 2	1	
4	(801-25734-00-00)	PIN 1	1	
5	(801-25744-00-00)	PIN 2	1	
6	92990-08200-00	WASHER, PLAIN	4	
7	91401-30020-00	PIN, COTTER	2	
8	(801-25736-00-00)	HOOK, SPRING	1	
9	97313-06055-00	BOLT, HEXAGON (97322-06055)	1	
10	95380-06700-00	NUT	1	
11	(91501-08070-00)	PIN, CLEVIS	1	
12	91490-20020-00	PIN, COTTER	1	
13	(90508-23193-00)	SPRING, TORSION	1	
14	90508-29049-00	SPRING, TORSION	1	
15	97313-06020-00	BOLT, HEXAGON	1	
16	95380-06700-00	NUT	1	
17	90387-17133-00	COLLAR	1	
18	92901-12100-00	WASHER, SPRING	1	
19	95301-12700-00	NUT (95302-12700)	1	

Property of www.SmallEngineDiscount.com - Not for Resale

FRONT AXLE

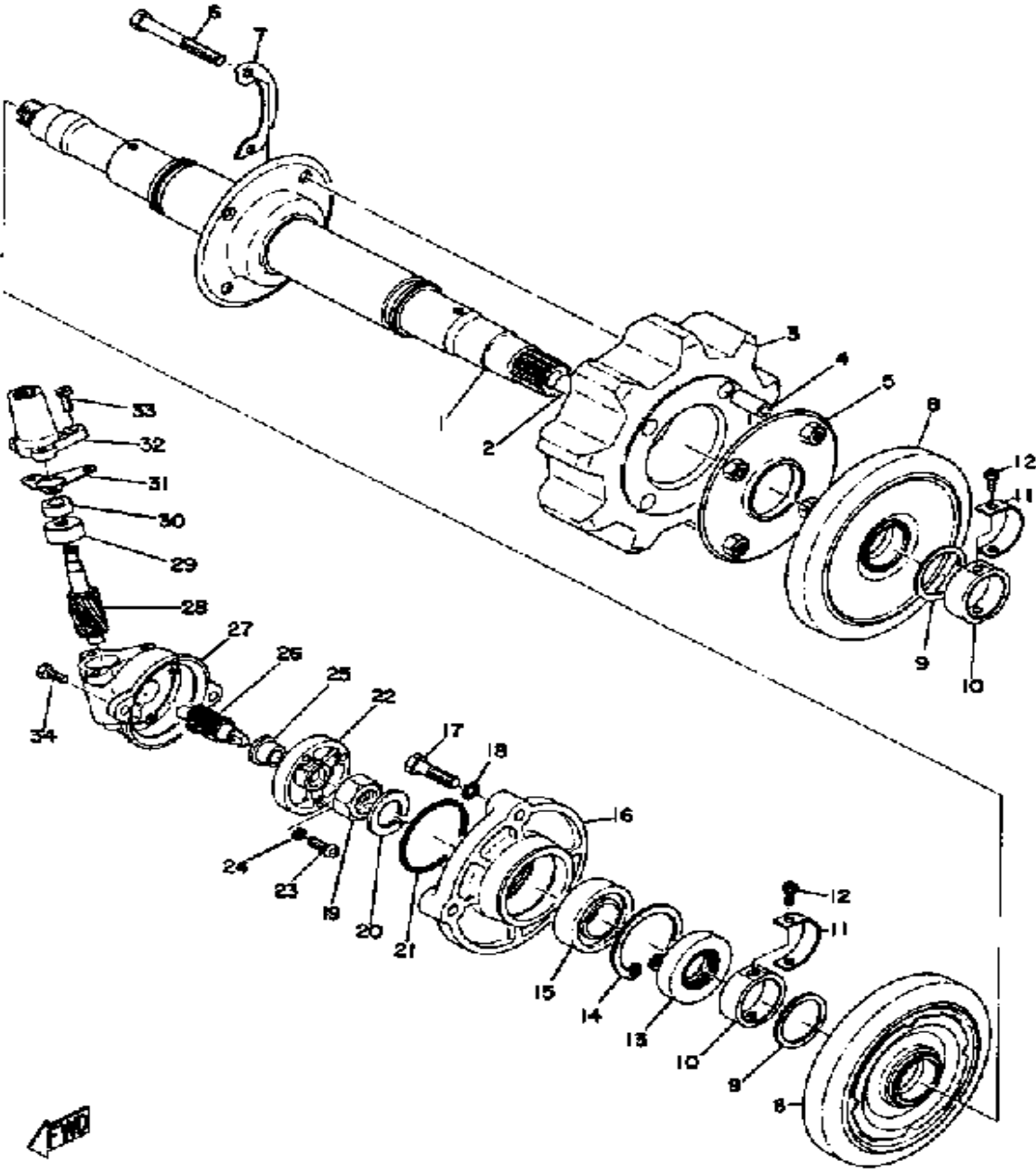


Ref. No.	Part Number	Description	Qty	Remarks
1	806-47510-00-00	FRONT AXLE	1	
2	(802-47575-00-00)	PLUG	1	
3	(806-47531-00-00)	WHEEL, SPROCKET 1	1	
4	90387-09072-00	COLLAR	4	
5	(806-47522-00-00)	RIM, SPROCKET WHL 2	1	
6	97021-08070-00	BOLT	4	
7	802-47517-00-00	WASHER, LOCK	2	
8	(806-47530-00-00)	GUIDE WHEEL	2	
9	90201-34683-00	WASHER, PLATE (90201-33299-00)	2	
10	(806-47536-00-00)	COLLAR	2	
11	(806-47539-00-00)	WASHER, LOCK	2	
12	90153-06004-00	SCREW, HEXAGON	4	
13	(93105-30014-00)	OIL SEAL, SDD-TYPE	1	
14	99009-52500-00	CIRCLIP	1	
15	93306-20529-00	BEARING (B6205C4)	1	
16	(803-47551-00-00)	HOUSING, FRONT AXLE	1	
17	97313-06030-00	BOLT, HEXAGON	3	
18	92995-06100-00	WASHER, SPRING	3	
19	90170-18089-00	NUT, HEXAGON	1	
20	92901-18100-00	WASHER, SPRING	1	
21	93210-55051-00	O-RING (3-54.5)	1	
22	(809-47712-00-00)	JOURNAL	1	
23	98503-04014-00	SCREW, PAN HEAD	3	
24	92901-04100-00	WASHER, SPRING	3	
25	90381-10003-00	BUSH, SOLID	1	
26	(809-47731-00-00)	GEAR, DRIVE	1	
27	(809-47711-00-00)	HOUSING	1	
28	(809-47741-00-00)	GEAR, DRIVEN	1	

CONTINUED ON NEXT FRAME ➤

Property of www.SmallEngineDiscount.com - Not for Resale

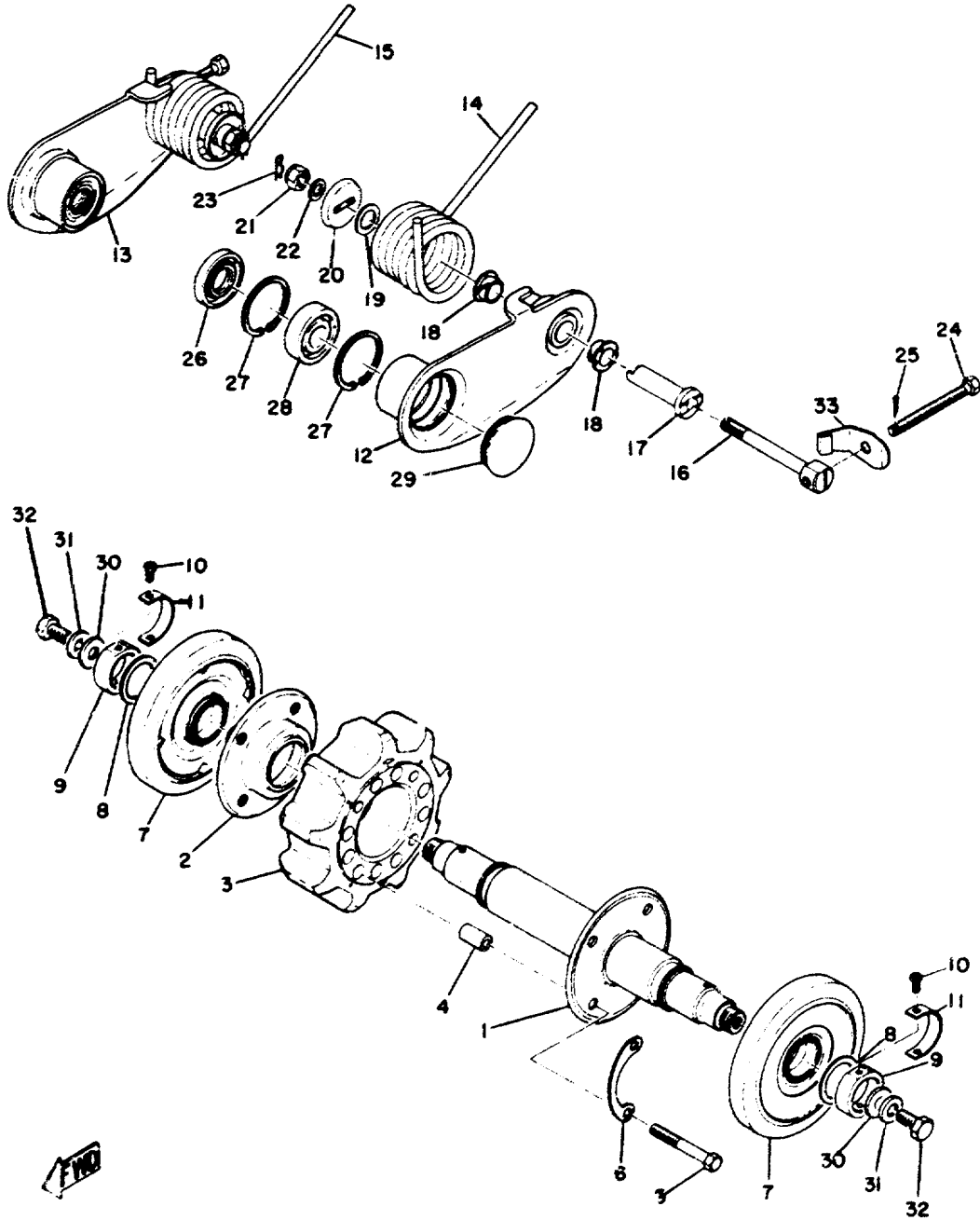
FRONT AXLE



Ref. No.	Part Number	Description	Qty	Remarks
29	(803-47723-00-00)	BUSH	1	
30	93104-09025-00	OIL SEAL	1	
31	(803-47727-00-00)	GASKET	1	
32	(803-47721-00-00)	COVER, HOUSING	1	
33	98580-05012-00	SCREW, PAN HEAD	3	
34	97313-06016-00	BOLT, HEXAGON	2	

Property of www.SmallEngineDiscount.com - Not for Resale

REAR AXLE

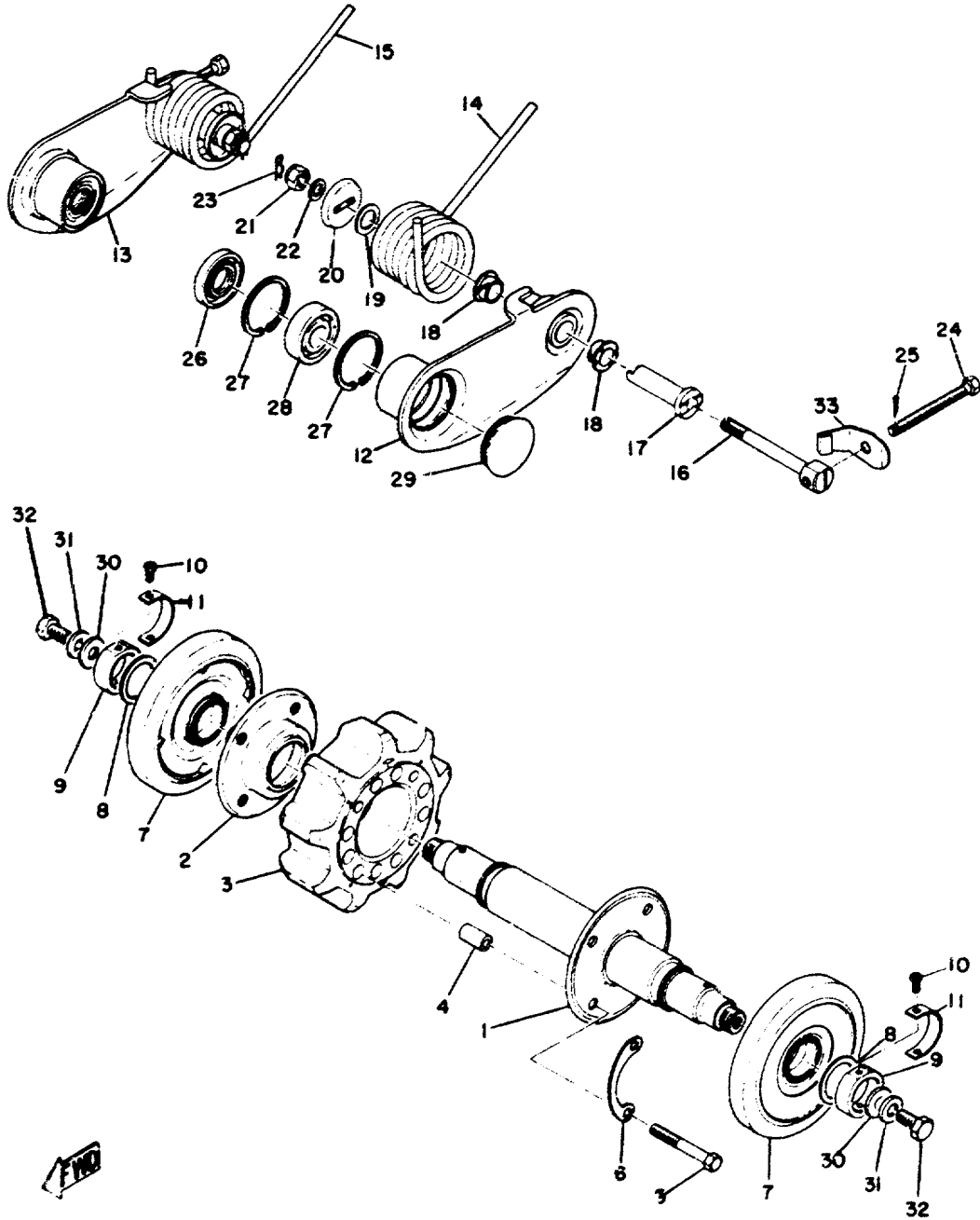


Ref. No.	Part Number	Description	Qty	Remarks
1	(806-47520-00-00)	REAR AXLE	1	
2	(806-47522-00-00)	RIM, SPROCKET WHL 2	1	
3	(806-47531-00-00)	WHEEL, SPROCKET 1	1	
4	90387-09072-00	COLLAR	4	
5	97021-08070-00	BOLT	4	
6	802-47517-00-00	WASHER, LOCK	2	
7	(806-47530-00-00)	GUIDE WHEEL	2	
8	90201-34683-00	WASHER, PLATE (90201-33299-00)	2	
9	(806-47536-00-00)	COLLAR	2	
10	90153-06004-00	SCREW, HEXAGON	4	
11	(806-47539-00-00)	WASHER, LOCK	2	
12	(806-47361-00-00)	ARM, REAR PIVOT 1	1	
13	806-47362-00-00	ARM, REAR PIVOT 2 (R.H) ...	1	
14	90508-70115-00	SPRING, TORSION	1	
15	90508-70085-00	SPRING, TORSION (806-47364-00)	1	
16	(90149-10042-00)	SCREW, SPEC'L SHAPE	2	
17	806-47369-00-00	COLLAR	2	
18	(806-47371-00-00)	BUSH, PIVOT	4	
19	(806-47384-00-00)	WASHER	2	
20	(806-47374-00-00)	WASHER 1	2	
21	90185-10017-00	NUT, SELF-LOCKING	2	
22	92990-10100-00	WASHER, SPRING	2	
23	90468-10050-00	CLIP	2	
24	90106-08050-00	BOLT, DOME HEAD (841-47373-00)	2	
25	91401-30030-00	PIN, COTTER	2	
26	93102-25044-00	OIL SEAL	2	
27	99009-47500-00	CIRCLIP	4	

CONTINUED ON NEXT FRAME ►

Property of www.SmallEngineDiscount.com - Not for Resale

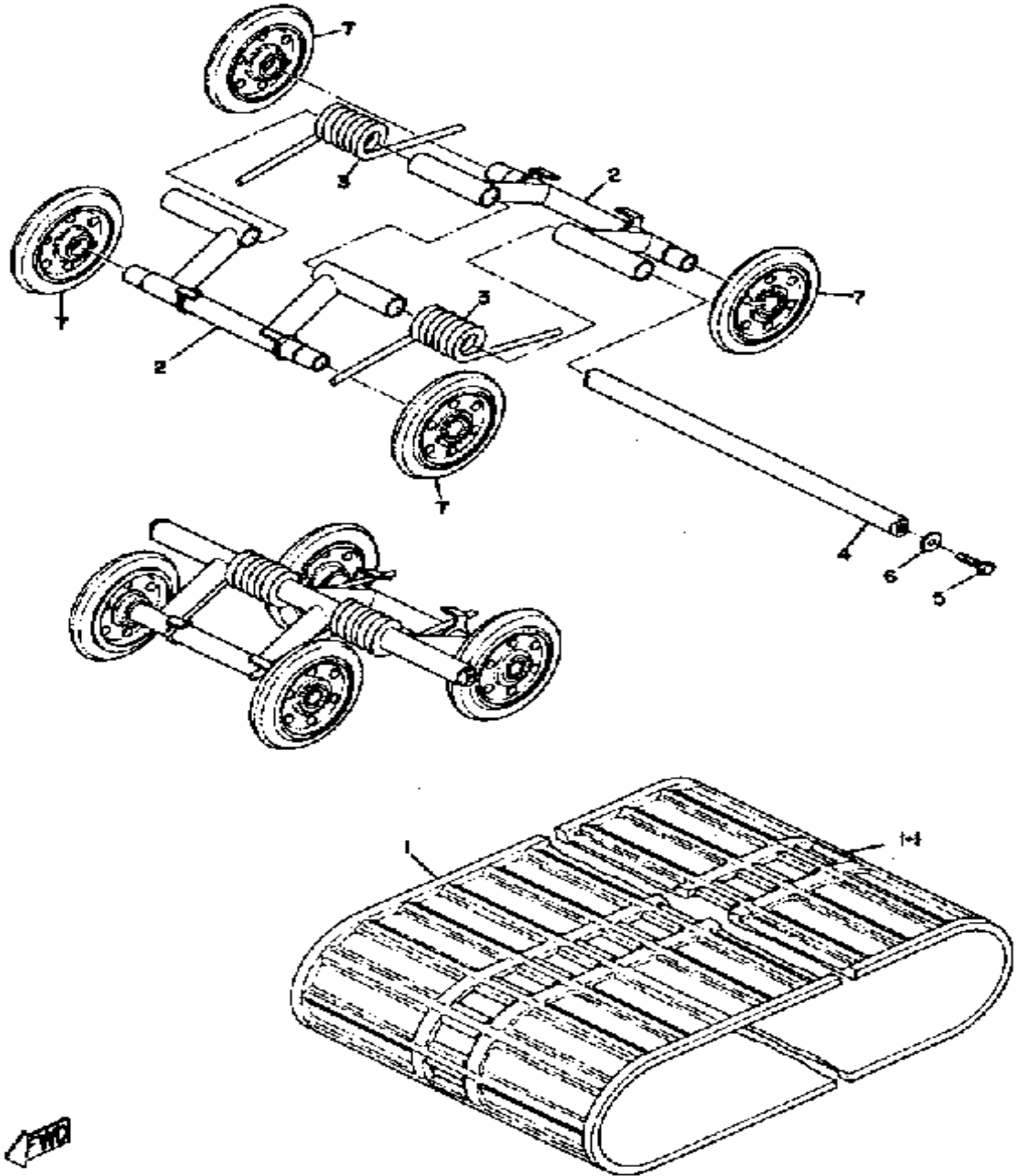
REAR AXLE



Ref. No.	Part Number	Description	Qty	Remarks
28	93306-20417-00	BEARING (B62042RS)	2	
29	802-47377-00-00	CAP	2	
30	90201-16513-00	WASHER, PLATE (12.5-30-2.6)	2	
31	92901-12100-00	WASHER, SPRING	2	
32	97001-12020-00	BOLT	2	
33	90215-09072-00	WASHER, LOCK (806-47378-00)	2	

Property of www.SmallEngineDiscount.com - Not for Resale

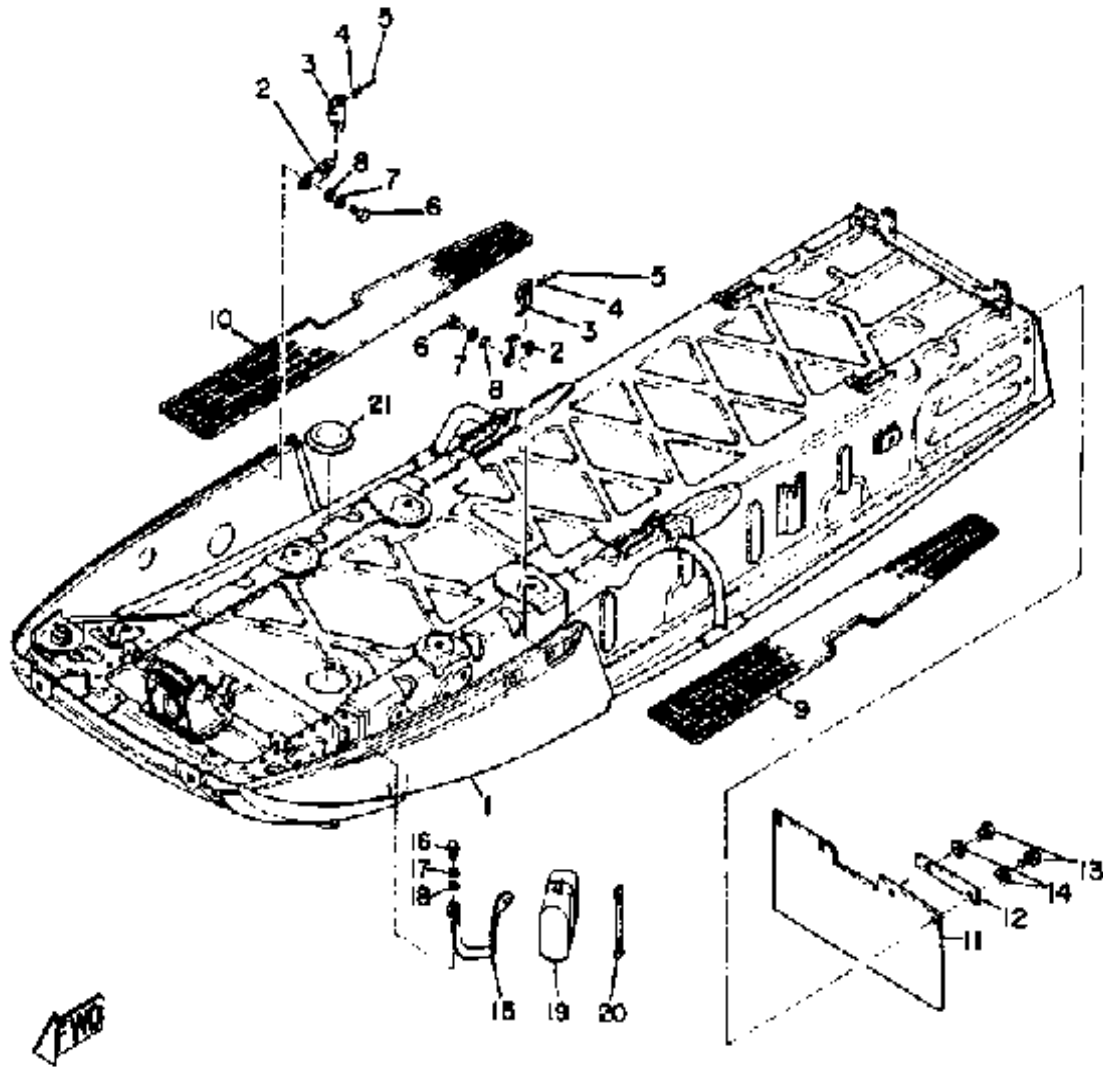
TRACK & SUSPENSION WHEEL



Ref. No.	Part Number	Description	Qty	Remarks
1	(806-47113-00-00)	PLATE, RNFCMNT	58	
	(861-47110-00-00)	TRACK ASSEMBLY	1	
2	(806-47331-01-00)	ARM, PIVOT 1	6	
3	90508-70095-00	SPRING, TORSION (806-47335-00)	12	
4	(802-47337-00-00)	SHAFT, PIVOT	3	
5	97313-08030-00	BOLT, HEXAGON	6	
6	(806-47347-00-00)	WASHER, LOCK	6	
7	8A9-47310-01-00	SUSPENSION WHL ASSEMBLY (810-47310-00)	12	

Property of www.SmallEngineDiscount.com - Not for Resale

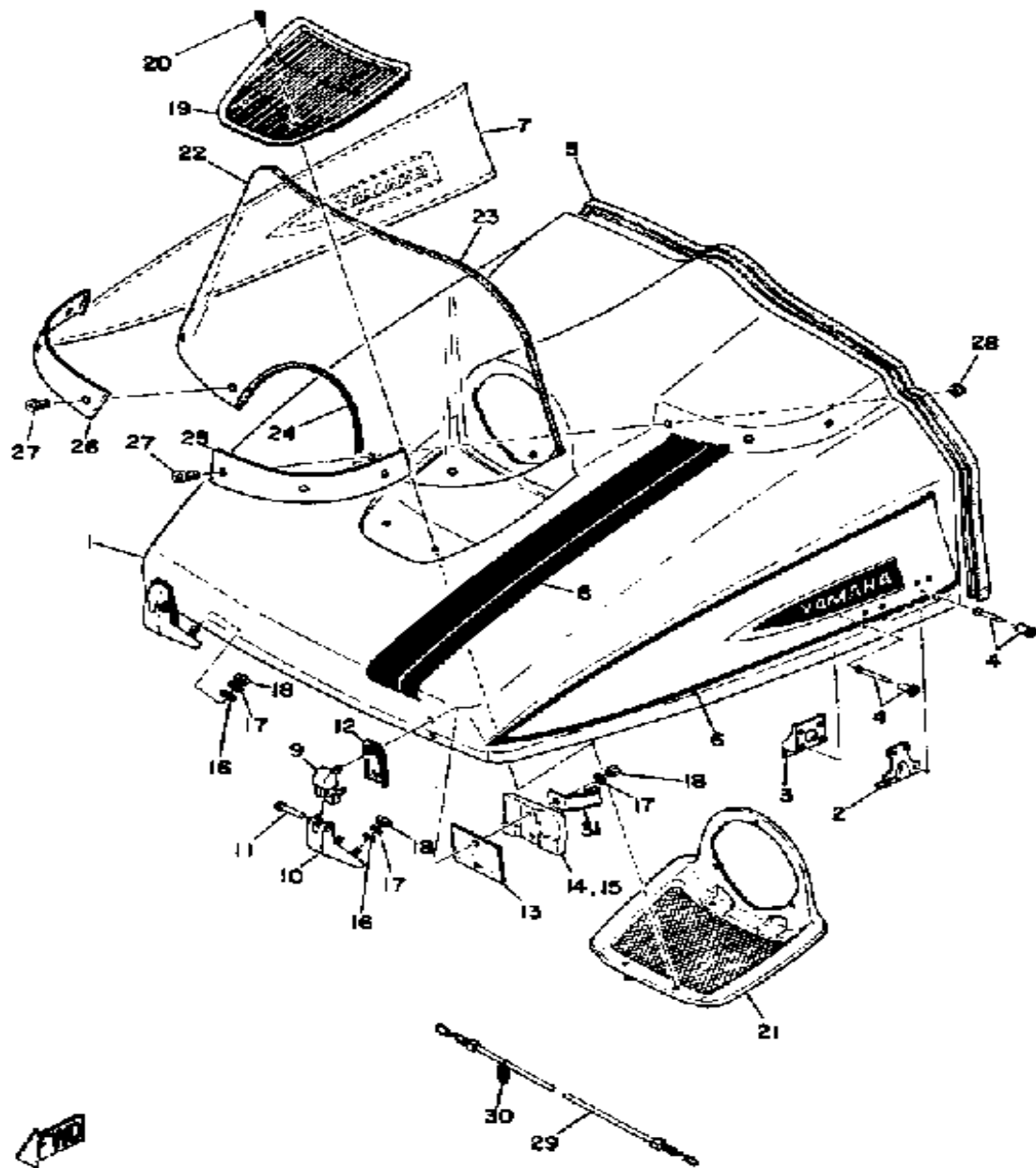
FRAME



Ref. No.	Part Number	Description	Qty	Remarks
1	(809-21910-00-00)	FRAME	1	
2	(806-77172-00-00)	BODY, LATCH 2	2	
3	806-77173-00-00	. LEVER, LATCH 1	2	
4	90508-10012-00	. SPRING, TORSION	2	
5	90249-04068-00	. PIN, SPECL SHAPE	2	
6	(97306-05015-00)	BOLT, HEXAGON	4	
7	92906-05100-00	WASHER, SPRING	4	
8	90201-05029-00	WASHER, PLATE	4	
9	(806-27413-00-00)	COVER, FOOTREST	1	
10	(806-27423-00-00)	COVER, FOOTREST	1	
11	(802-77595-02-00)	FLAP	1	
12	(802-77593-00-00)	PLATE, FLAP 1	2	
13	97380-06100-00	BOLT, HEXAGON (91201-06100)	4	
14	92995-06100-00	WASHER, SPRING	4	
15	(809-21727-00-00)	LEDGE, TOOL	1	
16	97313-05010-00	BOLT, HEXAGON	2	
17	92990-05100-00	WASHER, SPRING	2	
18	92990-05200-00	WASHER, PLAIN	2	
19	(806-28100-00-00)	TOOL KIT	1	
20	122-82131-00-00	BAND, BATTERY	1	
21	(809-14738-00-00)	PROTECTOR, MUFF 3	1	
-1	806-77170-00-00	LATCH ASSEMBLY	2	

Property of www.SmallEngineDiscount.com - Not for Resale

SHROUD

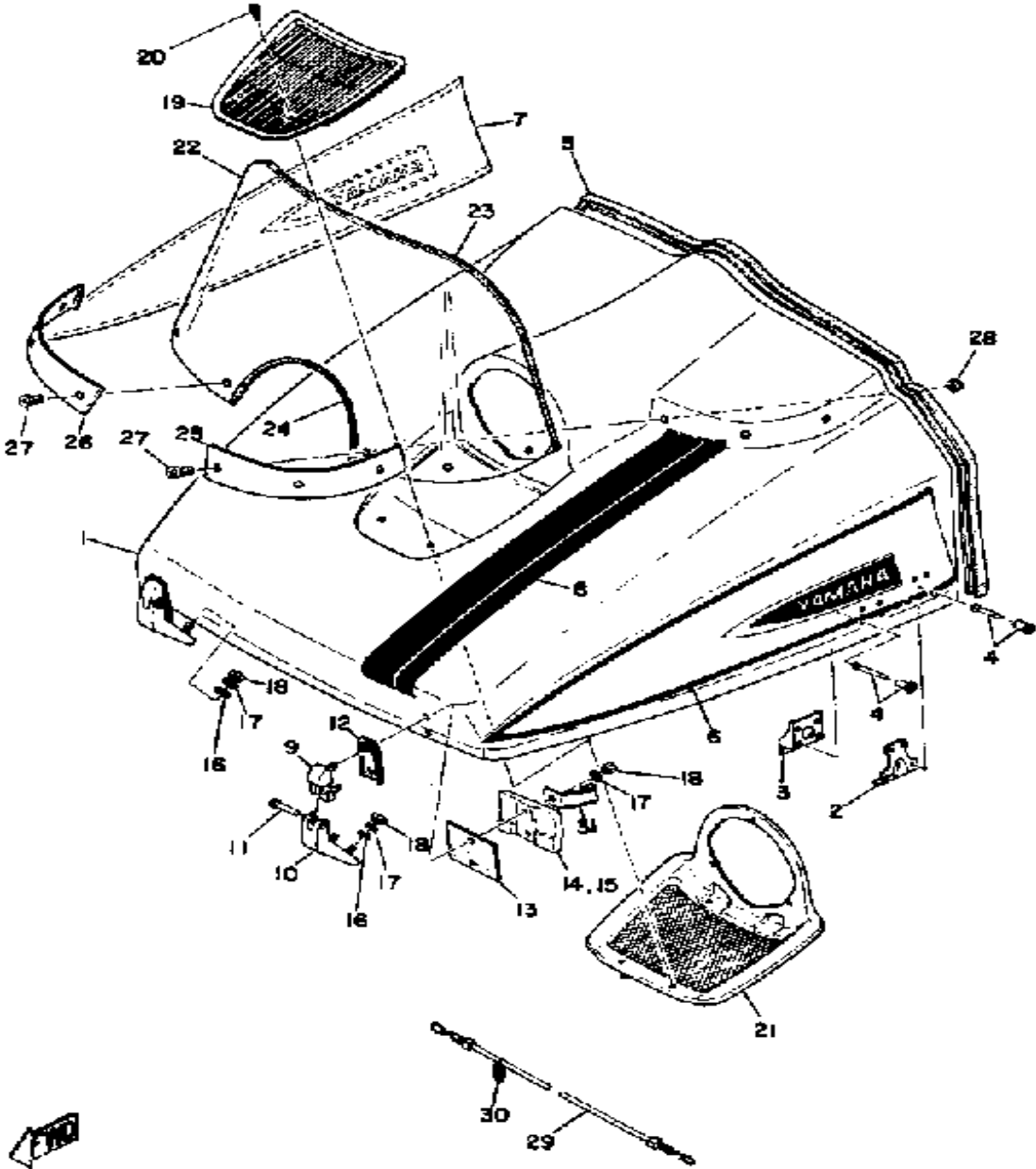


Ref. No.	Part Number	Description	Qty	Remarks
1	(806-77111-00-00)	SHROUD	1	
2	806-77171-00-00	. BODY, LATCH 1	2	
3	(806-77138-00-00)	CLAMP 4	2	
4	90267-40026-00	. RIVET, BLIND (806-77175-00)	16	
5	(806-77166-00-00)	TRIM 2	1	
6	(806-77163-00-00)	ORNAMENT 1	1	
7	(806-77164-00-00)	ORNAMENT 2	1	
8	(809-77169-00-00)	ORNAMENT 3	1	
9	(806-77145-00-00)	HINGE 1	2	
10	806-77147-00-00	HINGE 3	2	
11	90243-05002-00	PIN (806-77157-00)	2	
12	(806-77198-00-00)	DAMPER 1	2	
13	(806-77199-00-00)	DAMPER 2	2	
14	810-77153-00-00	PLATE, BACK UP 1	1	
15	(806-77154-00-00)	PLATE, BACK UP 2	1	
16	92906-06200-00	WASHER	4	
17	92906-06100-00	WASHER, SPRING	8	
18	95316-06600-00	NUT	8	
19	(806-77131-00-00)	LOUVER 1	1	
20	98906-05016-00	SCREW, BIND	2	
21	(806-77139-00-00)	HOLDER, ROD 1	1	
22	(806-77210-00-00)	WINDSHIELD	1	
23	(806-77213-00-00)	TRIM, UPPER	1	
24	(806-77216-00-00)	TRIM 4	1	
25	(806-77214-00-00)	TRIM, LOWER	1	
26	806-77215-00-00	TRIM 3	1	
27	98901-05016-00	SCREW, BIND (98903-05016-00)	6	
28	90180-05004-00	NUT, T (802-77217-00)	6	
29	(809-77118-00-00)	STOPPER, SHROUD	1	

CONTINUED ON NEXT FRAME ➤

Property of www.SmallEngineDiscount.com - Not for Resale

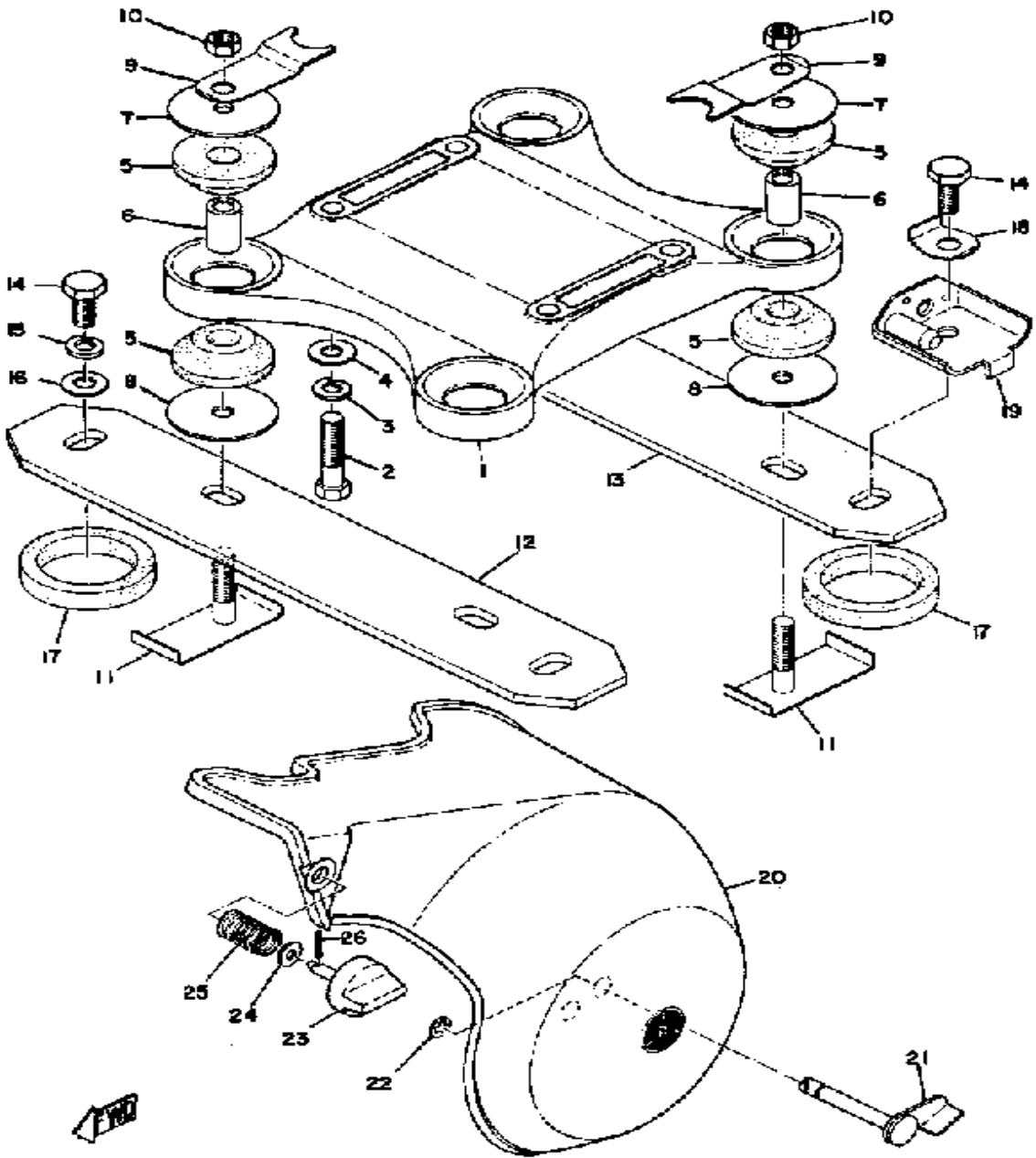
SHROUD



Ref. No.	Part Number	Description	Qty	Remarks
30	(806-77159-00-00)	CLAMP, ROD	1	
31	90465-06013-00	CLAMP	1	

Property of www.SmallEngineDiscount.com - Not for Resale

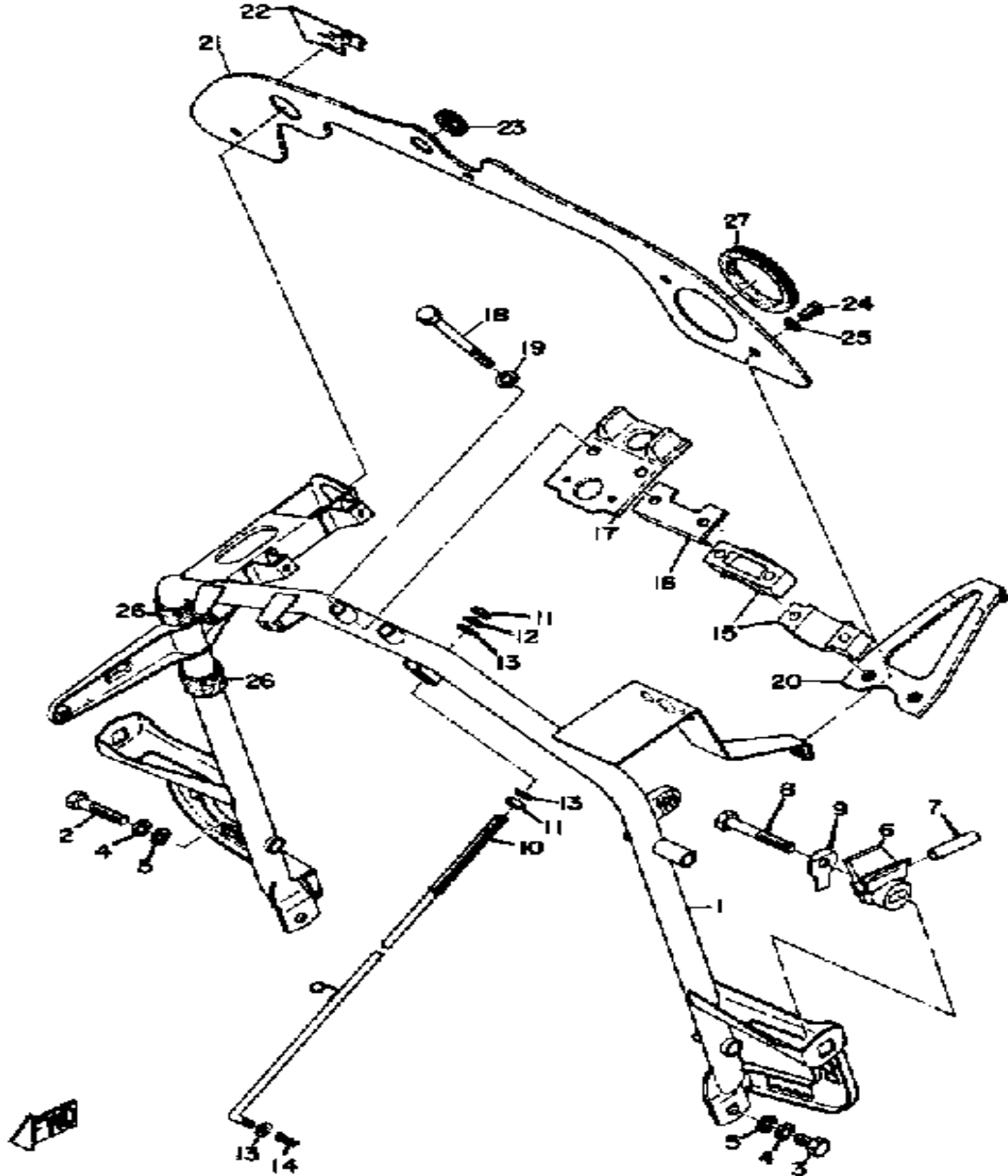
ENGINE BRACKET



Ref. No.	Part Number	Description	Qty	Remarks
1	(807-21411-00-00)	BRACKET, ENGINE 1	1	
2	97313-10050-00	BOLT, HEXAGON (676)	4	
3	92990-10100-00	WASHER, SPRING	4	
4	92990-10200-00	WASHER, PLAIN	4	
5	807-15316-00-00	DAMPER, ENG MOUNT 1	8	
6	90560-10020-00	SPACER	4	
7	(807-21491-00-00)	WASHER, LOCK	4	
8	90201-10152-00	WASHER, PLATE (807-21492-00)	4	
9	(90215-10074-00)	WASHER, LOCK	4	
10	95303-10700-00	NUT	4	
11	(807-21482-00-00)	BOLT, ENG MNTNG 2	4	
12	(806-21419-00-00)	BRACKET, ENGINE 2	1	
13	(806-21429-00-00)	BRACKET, ENGINE 3	1	
14	90101-10055-00	BOLT	4	
15	92990-10100-00	WASHER, SPRING	3	
16	92990-10200-00	WASHER, PLAIN	3	
17	806-21485-00-00	DAMPER, RUBBER 1	4	
18	(806-21491-00-00)	WASHER, LOCK	1	
19	(806-77315-00-00)	BRACKET 1	1	
20	(806-77311-00-00)	GUARD, DRIVE	1	
21	806-77314-00-00	ARM, FITTING	1	
22	99009-06600-00	CIRCLIP	1	
23	(806-77324-00-00)	KNOB	1	
24	(802-77179-00-00)	WASHER 2	2	
25	90501-16103-00	SPRING, COMPRESSION	1	
26	91690-25016-00	PIN, SPRING	1	

Property of www.SmallEngineDiscount.com - Not for Resale

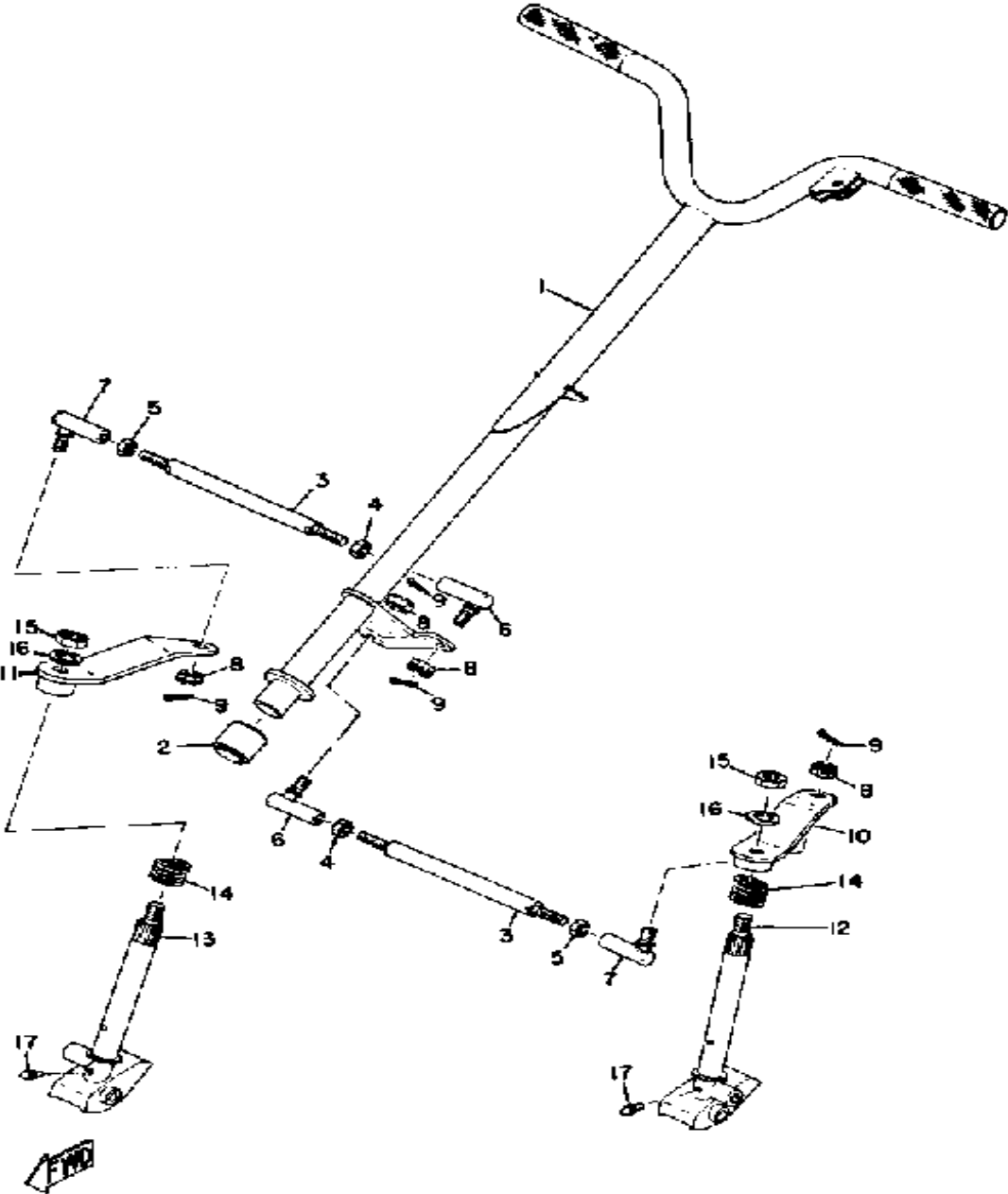
STEERING GATE



Ref. No.	Part Number	Description	Qty	Remarks
1	(809-23871-00-00)	GATE, STEERING	1	
2	97313-08045-00	BOLT	2	
3	97313-08015-00	UNAVAILABLE IN PRICE BOOK (ISO)	2	
4	92906-08100-00	WASHER, SPRING	4	
5	92906-08200-00	WASHER	4	
6	(806-77137-00-00)	CLAMP 3	2	
7	(802-77188-00-00)	STOPPER	2	
8	(97306-08060-00)	BOLT, HEXAGON	2	
9	(90215-08039-00)	WASHER, LOCK	2	
10	(809-23860-00-00)	TENSION BAR	1	
11	95380-06700-00	NUT	2	
12	92995-06100-00	WASHER, SPRING	1	
13	92990-06200-00	WASHER	3	
14	90468-10050-00	CLIP	1	
15	(806-23873-00-00)	BEARING, STRG UPPER	2	
16	(802-23872-00-00)	HOLDER, BEARING	1	
17	(806-77196-00-00)	DAMPER, SHROUD	1	
18	(97306-08085-00)	BOLT, HEXAGON	2	
19	92906-08100-00	WASHER, SPRING	2	
20	(806-77721-00-00)	BRACKET 1	1	
21	(809-77711-00-00)	PANEL, INSTRUMENT	1	
22	(806-77741-00-00)	INDICATOR 1	1	
23	(102-82598-00-00)	GROMMET	1	
24	98906-06012-00	SCREW, BIND	3	
25	92906-06200-00	WASHER	3	
26	(802-21746-00-00)	DAMPER	2	
27	(809-83513-00-00)	DAMPER	1	

Property of www.SmallEngineDiscount.com - Not for Resale

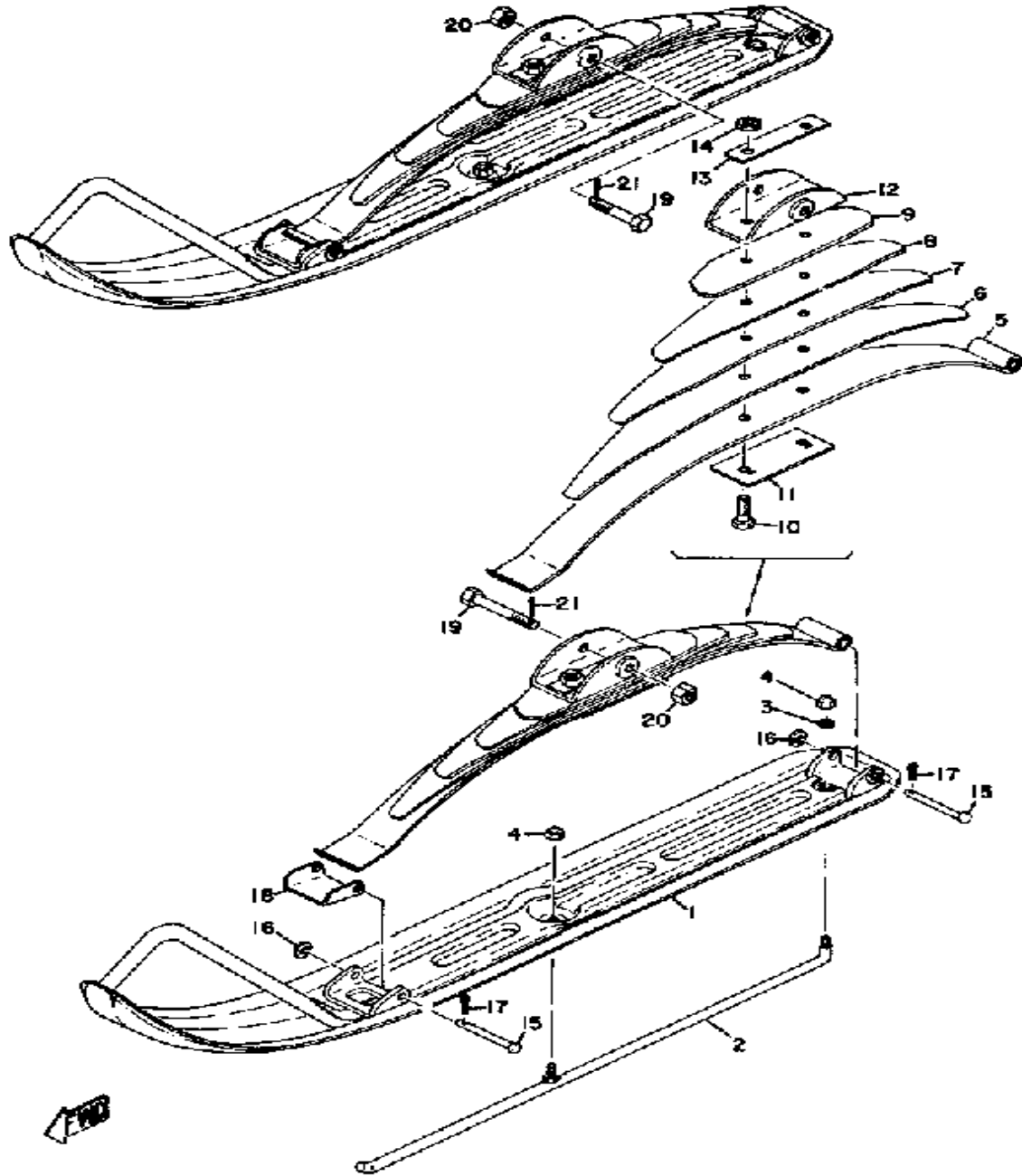
STEERING



Ref. No.	Part Number	Description	Qty	Remarks
1	(809-23811-00-00)	COLUMN, STEERING	1	
2	(806-23875-00-00)	BEARING, STRG LOWER	1	
3	806-23821-00-00	ROD, STEERING RELAY	2	
4	90170-10082-00	NUT, HEXAGON (802-23833-00)	2	
5	(90170-10135-00)	NUT, HEXAGON	2	
6	(806-23841-91-00)	JOINT, UNIVERSAL 1	2	
7	806-23845-00-00	JOINT, UNIVERSAL 2	2	
8	95306-10900-00	NUT, SLOTTED	4	
9	91401-25030-00	PIN, COTTER	4	
10	(806-23851-00-00)	ARM, OUTSIDE 1	1	
11	(806-23852-00-00)	ARM, OUTSIDE 2	1	
12	(806-23853-00-00)	COLUMN, SKI 1	1	
13	(806-23854-00-00)	COLUMN, SKI 2	1	
14	90501-35154-00	SPRING, COMPRESSION	2	
15	95306-12600-00	NUT	2	
16	92906-12100-00	WASHER, SPRING	2	
17	93700-06M03-00	NIPPLE, GREASE	2	

Property of www.SmallEngineDiscount.com - Not for Resale

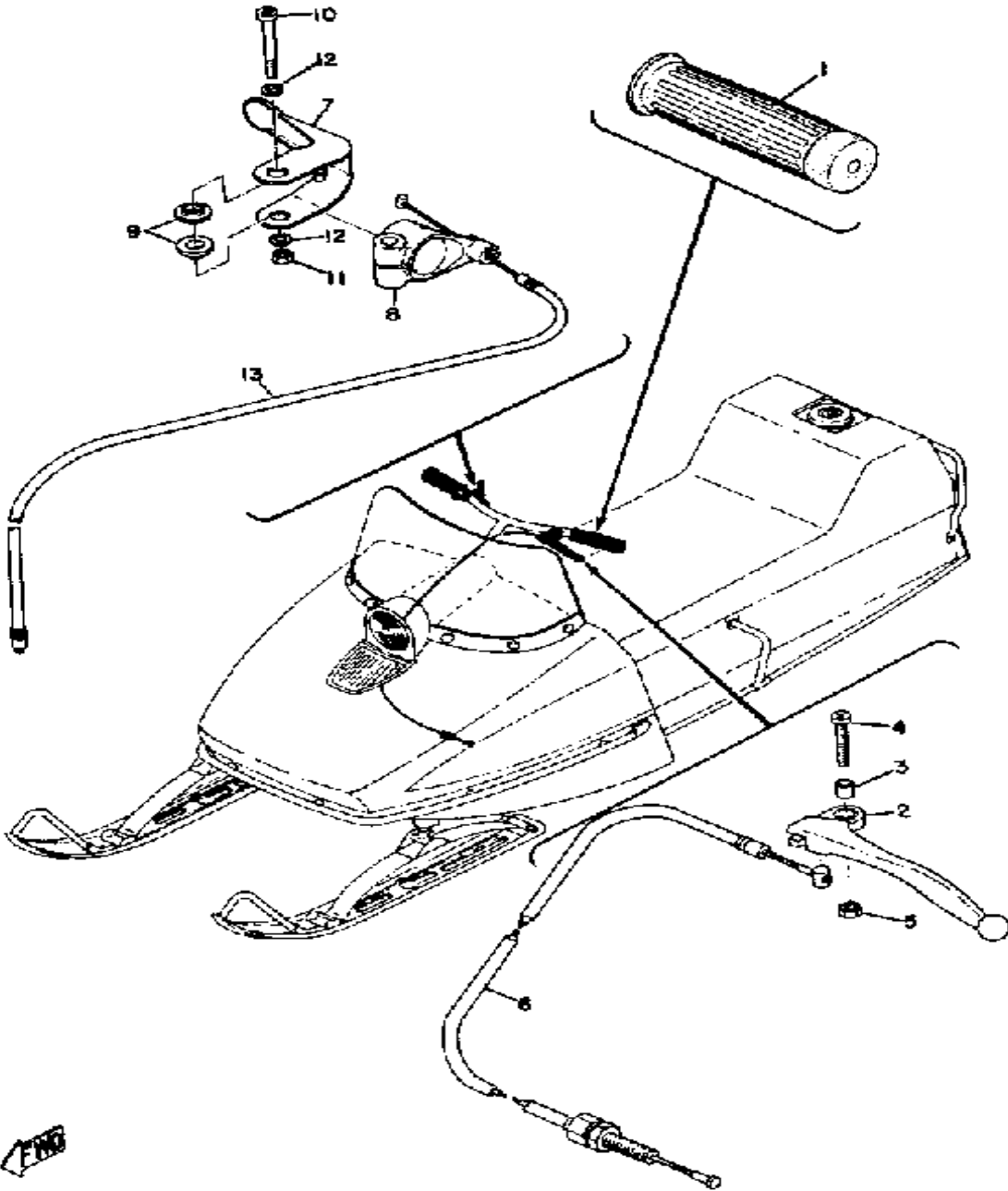
SKI



Ref. No.	Part Number	Description	Qty	Remarks
1	(838-23710-01-00)	SKI 1	2	
2	806-23731-01-00	RUNNER 1	2	FOR 806-23710-00
	838-23731-03-00	RUNNER 1	2	FOR 838-23710-01
3	90201-06643-00	WASHER, PLATE	2	
4	95701-06300-00	NUT, NYLON	2	
	95701-06300-00	NUT, NYLON	4	
5	806-23761-00-00	. LEAF 1	2	
6	(806-23762-00-00)	LEAF 2	2	
7	(806-23763-00-00)	LEAF 3	2	
8	806-23764-00-00	. NO LONGER AVAILABLE ...	2	
9	(806-23771-00-00)	LEAF 5	2	
10	90101-10060-00	. BOLT	4	
11	802-23768-00-00	. SEAT, SPRING 1	2	
12	806-23766-00-00	. SADDLE 1	2	
13	90209-10069-00	. WASHER, SPEC'L SHAP ...	2	
14	95336-10600-00	. NUT	4	
15	90240-08035-00	PIN, CLEVIS (801-23733-00) ...	4	
16	92906-08200-00	WASHER	4	
17	91401-30020-00	PIN, COTTER	4	
18	802-23735-00-00	PLATE, WEAR 1	2	
19	(90102-10013-00)	BOLT, WITH HOLE	2	
20	95306-10900-00	NUT, SLOTTED	2	
21	91490-20025-00	PIN, SPLIT	2	
-1	(806-23760-00-00)	SPRING ASSEMBLY 1	2	

Property of www.SmallEngineDiscount.com - Not for Resale

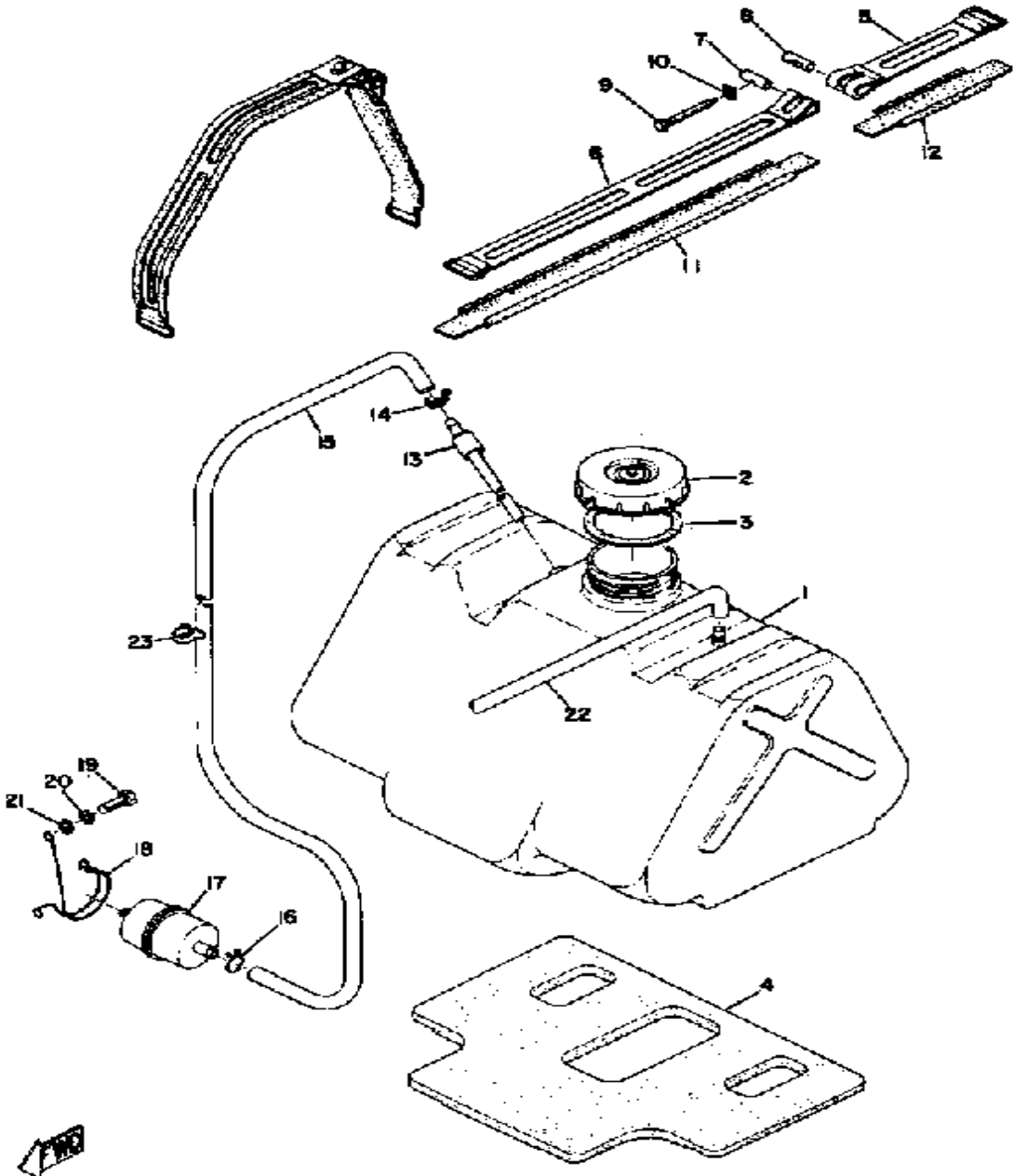
GRIP & WIRING



Ref. No.	Part Number	Description	Qty	Remarks
1	801-26241-01-00	GRIP	2	
2	803-83912-00-38	LEVER 1	1	
3	802-83913-00-00	COLLAR, LEVER 1	1	
4	95311-05700-00	NUT	1	
	98580-05020-00	SCREW, PAN HEAD	1	
6	(809-26340-00-00)	CABLE, BRAKE	1	
7	99999-01028-00	THROTTLE LEVER	1	
8	806-82821-00-00	HOLDER, LEVER 2	1	
9	90387-062M9-00	COLLAR	2	
10	98580-06040-00	SCREW, pan head (92501-06040-00)	1	
11	95380-06700-00	NUT	1	
12	92990-06200-00	WASHER	2	
13	(806-26311-01-00)	CABLE, THROTTLE 1	1	

Property of www.SmallEngineDiscount.com - Not for Resale

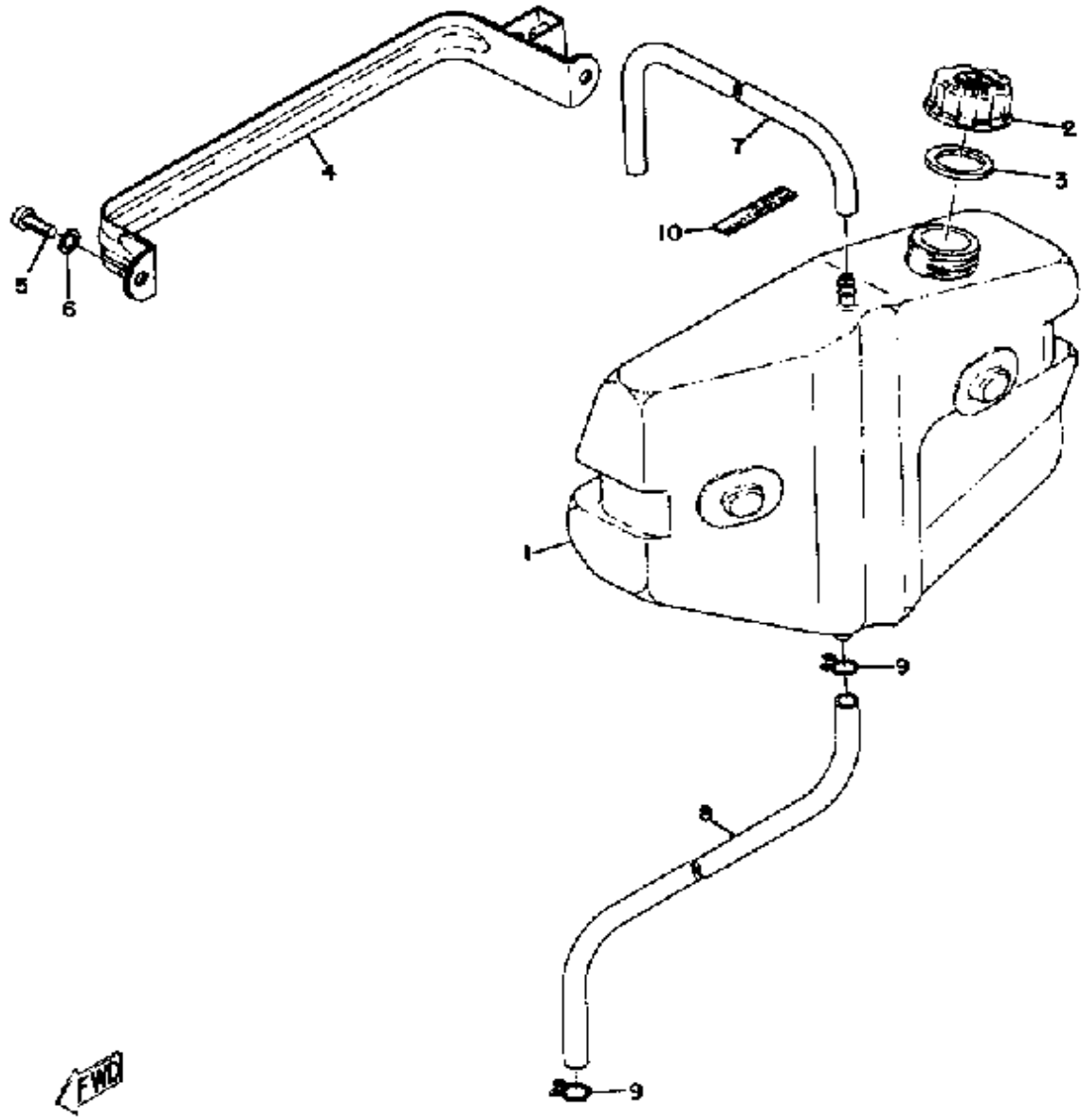
FUEL TANK



Ref. No.	Part Number	Description	Qty	Remarks
1	(809-24111-00-00)	FUEL TANK	1	
2	(809-24611-00-00)	BODY, CAP	1	
3	(806-24612-00-00)	GASKET, CAP	1	
4	(809-24181-00-00)	DAMPER, LOCATING 1	1	
5	(809-24173-00-00)	BAND, TNK FITTING 1	2	
6	(809-24199-00-00)	BAND, TNK FITTING 2	2	
7	806-24135-00-00	CLAMP 1	2	
8	90179-05030-00	NUT, SPEC'L SHAPE (806-24146-00)	2	
9	(90153-05002-00)	SCREW, HEXAGON	2	
10	(90215-05058-00)	WASHER, LOCK	2	
11	(809-24183-00-00)	DAMPER, LOCATING 3	2	
12	(809-24184-00-00)	DAMPER, LOCATING 4	2	
13	809-24335-00-00	PIPE, SUCTION 1	1	
14	(806-24358-00-00)	CLIP, PIPE 3	1	
15	(90446-11042-00)	HOSE	1	
16	90460-11002-00	CLAMP, HOSE		
	90460-11149-00	CLAMP, HOSE	2	
17	809-24560-01-00	FILTER ASSEMBLY	1	
18	(809-24558-00-00)	HOLDER, FILTER	1	
19	97313-08012-00	BOLT	2	
20	92990-08100-00	WASHER	2	
21	92990-08200-00	WASHER, PLAIN	2	
22	(809-24318-00-00)	PIPE, OVERFLOW	1	
23	(90463-07002-00)	CLAMP	2	

Property of www.SmallEngineDiscount.com - Not for Resale

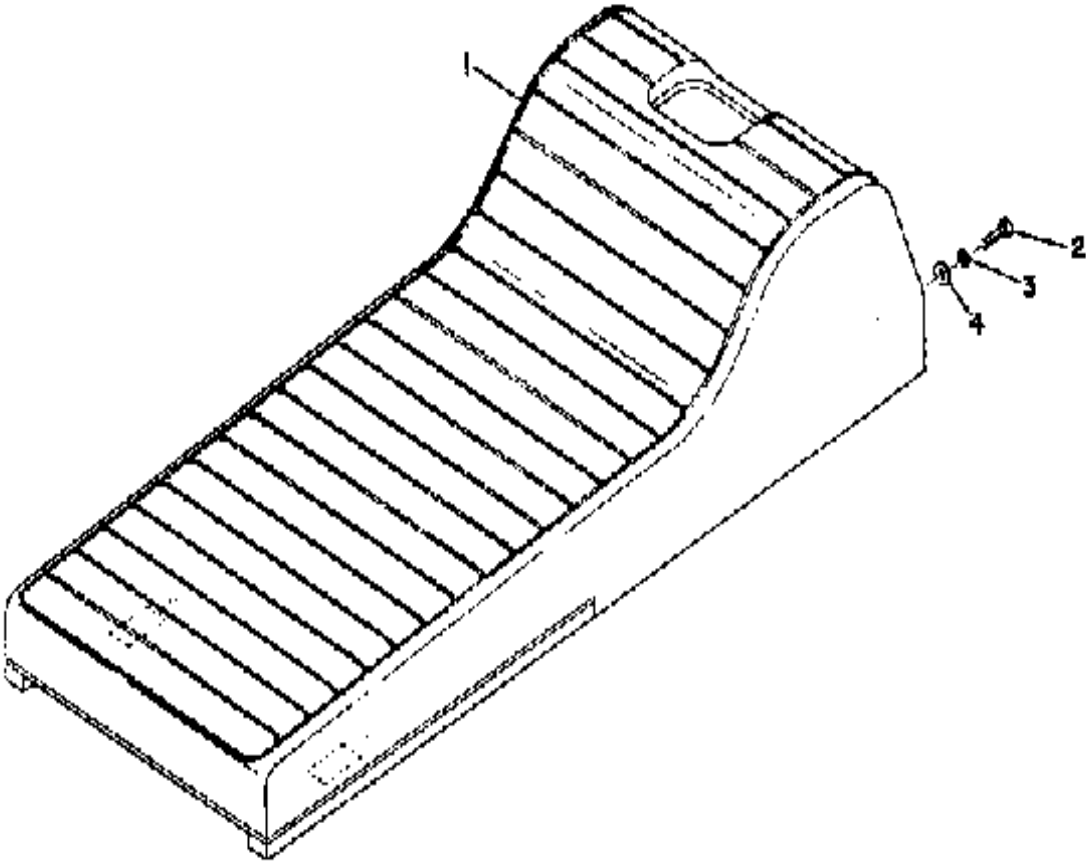
OIL TANK



Ref. No.	Part Number	Description	Qty	Remarks
1	(806-21751-00-00)	TANK, OIL	1	
2	296-21771-62-00	BODY, CAP	1	
3	296-21772-00-00	GASKET, CAP	1	
4	(806-21776-00-00)	BAND, TANK FITTING	1	
5	98503-06014-00	SCREW, PAN HEAD (92502-06016)	2	
6	92995-06100-00	WASHER, SPRING	2	
7	(806-21745-00-00)	PIPE, OIL TNK BRTHR	1	
8	90446-09051-00	HOSE (806-24319-00)	1	
9	90460-09001-00	CLAMP, HOSE	2	
10	(802-21793-00-00)	ORNAMENT	1	

Property of www.SmallEngineDiscount.com - Not for Resale

SEAT



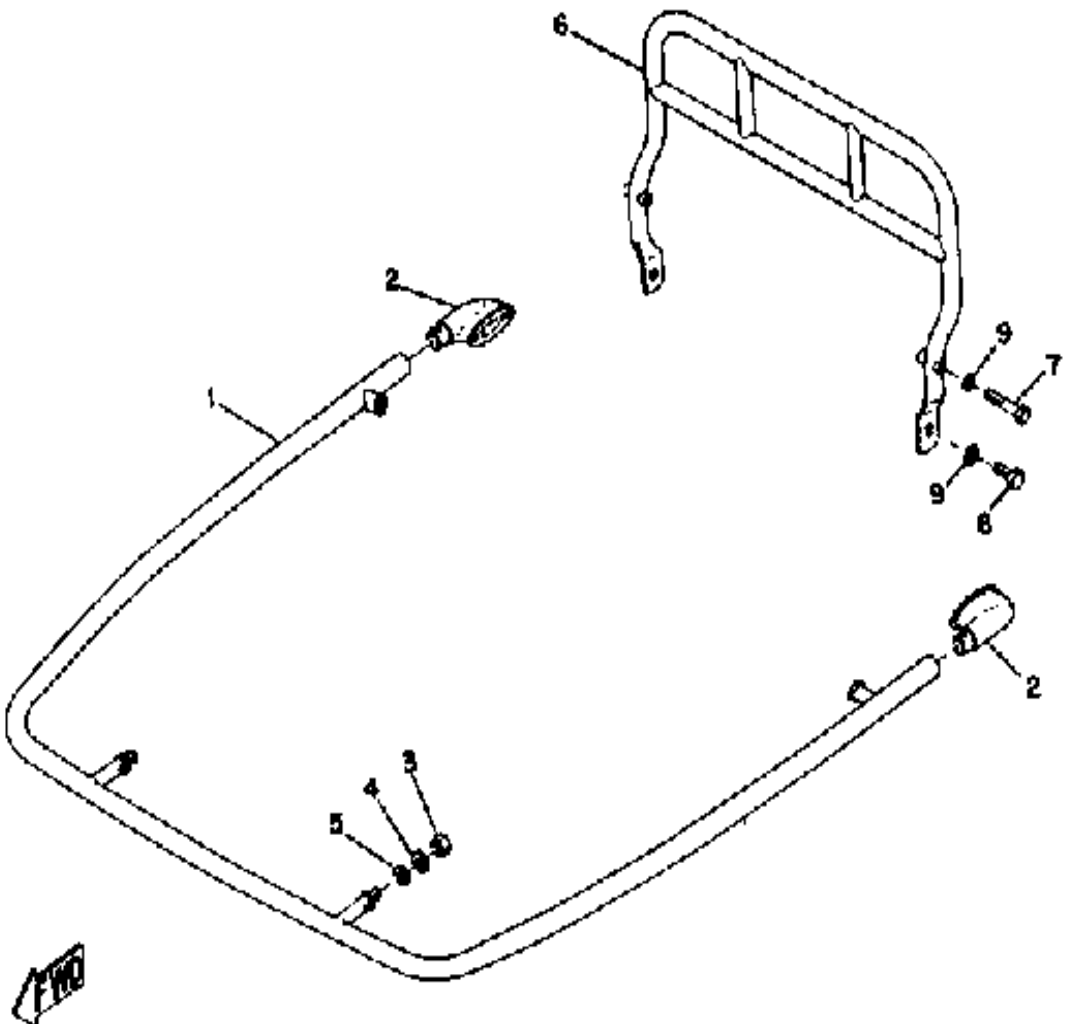
Ref. No.	Part Number	Description	Qty	Remarks
1	(809-24730-00-00)	DOUBLE SEAT ASSEMBLY ...	1	
2	97313-06020-00	BOLT, HEXAGON	2	
3	92995-06100-00	WASHER, SPRING	2	
4	90201-065F3-00	WASHER, PLATE	2	
1-1	(809-24731-00-00)	COVER, DOUBLE SEAT	1	



Property of www.SmallEngineDiscount.com - Not for Resale

C10

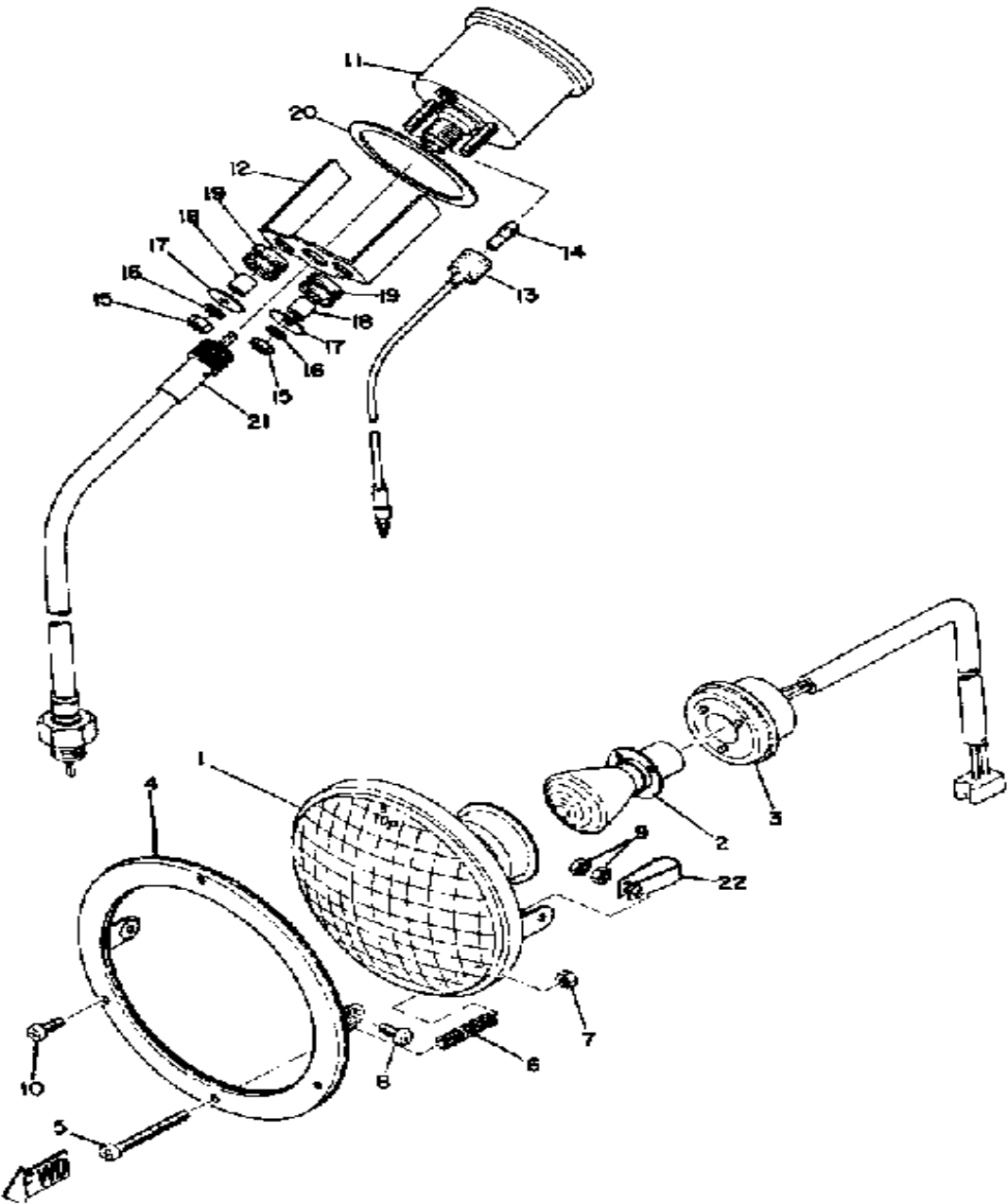
BUMPER



Ref. No.	Part Number	Description	Qty	Remarks
1	821-77510-00-00	FRONT BUMPER (806-77510-00)	1	
2	(806-77523-00-00)	END, BUMPER	2	
3	95333-08600-00	NUT	2	
4	92990-08100-00	WASHER	2	
	92990-08200-00	WASHER, PLAIN	2	
6	(809-77541-00-00)	BUMPER, REAR 1	1	
7	97313-08045-00	BOLT	2	
8	97313-08018-00	BOLT, HEXAGON (97301-08016)	2	
9	92990-08100-00	WASHER	4	

Property of www.SmallEngineDiscount.com - Not for Resale

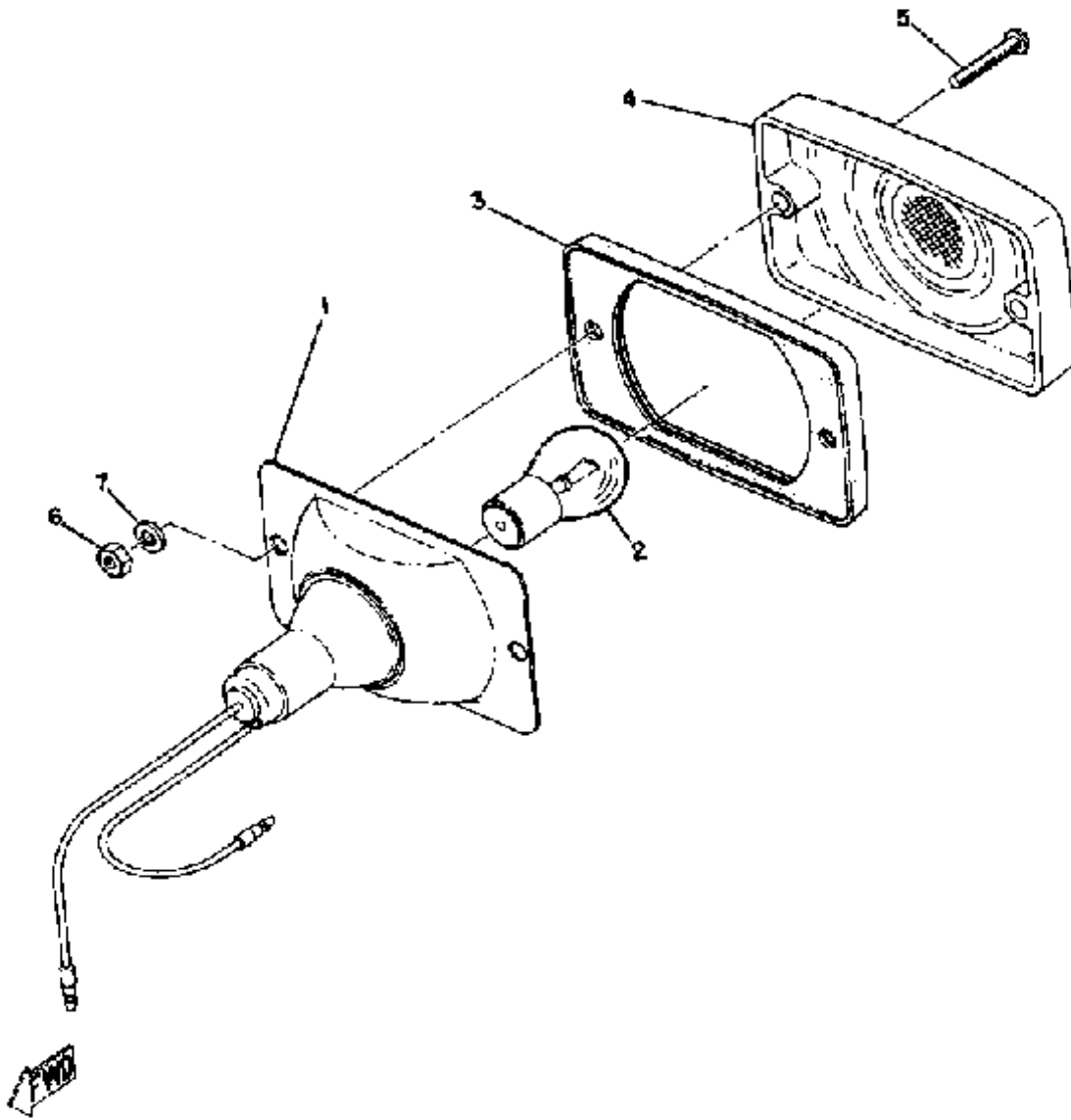
HEAD LAMP & SPEEDOMETER



Ref. No.	Part Number	Description	Qty	Remarks
1	(806-84320-00-00)	LENS ASSEMBLY	1	
	(809-84310-00-00)	HEADLIGHT UNIT ASSEMBLY	1	
2	183-84314-60-00	. BULB, H.L.12V35/35W	1	
3	809-84312-00-00	. SOCKET	1	
4	806-84315-00-00	. RIM, HEADLIGHT	1	
5	1M1-84524-60-00	. SCREW, LENS FITTING	1	
6	(207-84132-60-00)	SPRING, SCREW	1	
7	(207-84134-61-00)	NUT, ADJUST	1	
8	98580-04010-00	. SCREW, PAN HEAD	2	
9	95301-04700-00	. NUT (95302-04700)	4	
10	98511-04012-00	SCREW, PAN HEAD	3	
11	(809-83510-40-00)	SPEEDOMETER ASSEMBLY	1	
12	(102-83514-00-00)	PLATE, FITTING	1	
13	(809-83536-40-00)	SOCKET, METER	1	
14	256-84347-00-00	. BULB	1	
15	95380-05600-00	. NUT	2	
16	92990-05100-00	. WASHER, SPRING	2	
17	90201-05032-00	WASHER, PLATE	2	
18	90387-06761-00	COLLAR	2	
19	(803-83523-00-00)	DAMPER	2	
20	(803-83577-00-00)	PLATE, FITTING	1	
21	(809-83550-00-00)	SPEEDOMETER CABLE	1	
22	(809-82594-00-00)	CLAMP	1	

Property of www.SmallEngineDiscount.com - Not for Resale

TAIL LAMP

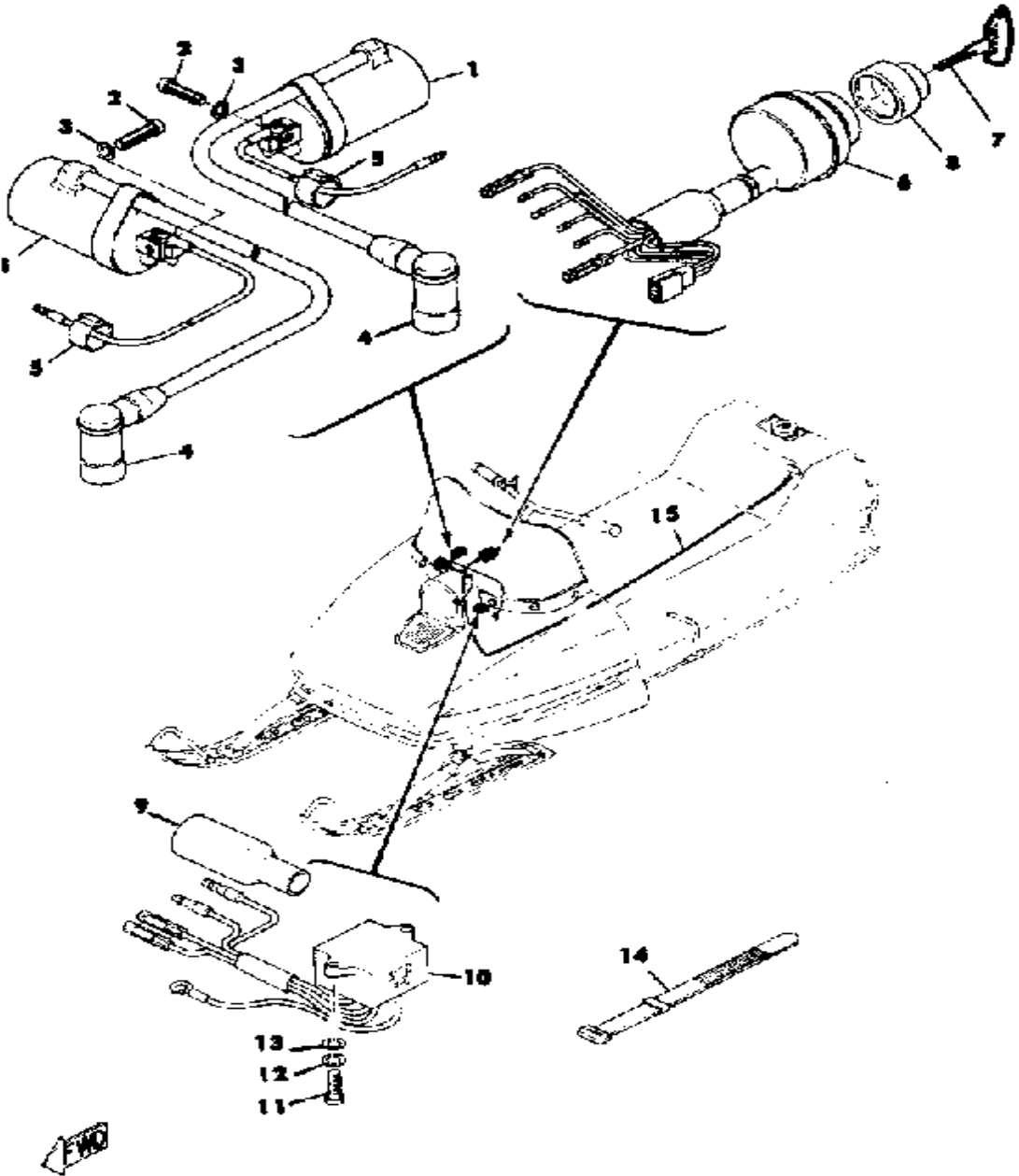


Ref. No.	Part Number	Description	Qty	Remarks
1	(809-84711-00-00)	BASE, TAILLIGHT	1	
2	809-84714-00-00	. BULB	1	
3	806-84712-00-00	. SEAT, BASE	1	
4	(806-84721-00-00)	LENS, TAILLIGHT	1	
5	806-84724-00-00	. SCREW, LENS FITTING	2	
6	95301-04600-00	NUT	2	
7	92901-04100-00	WASHER, SPRING	2	
-1	(809-84710-00-00)	TAILLIGHT UNIT ASSEMBLY ..	1	

Property of www.SmallEngineDiscount.com - Not for Resale

D1

ELECTRICAL



Ref. No.	Part Number	Description	Qty	Remarks
1	206-82310-41-00	IGNITION COIL ASSEMBLY ...	2	
2	98506-05020-00	SCREW, PAN HEAD	4	
3	92906-05100-00	WASHER, SPRING	4	
4	56J-82370-00-00	PLUG CAP ASSEMBLY	2	
5	437-83936-01-00	BAND, SWITCH CORD	2	
6	(806-82510-21-00)	MAIN SWITCH ASSEMBLY ...	1	
7	UNA-VAILA-BL-EI	0 0	11	
8	806-82516-00-00	COLLAR, MAIN SWITCH	1	
9	(806-82599-00-00)	COVER, CONNECTER	1	
10	806-82390-20-00	SILICOM STACK ASSEMBLY .	1	
11	(98506-04015-00)	SCREW, PAN HEAD	2	
12	92906-04100-00	WASHER, SPRING	2	
13	92906-04200-00	WASHER, PLAIN	1	
14	437-83936-11-00	BAND, SWITCH CORD	3	
15	(809-84727-00-00)	CORD, TAILLIGHT	1	

Property of www.SmallEngineDiscount.com - Not for Resale