



**YAMAHA**

**GENUINE**

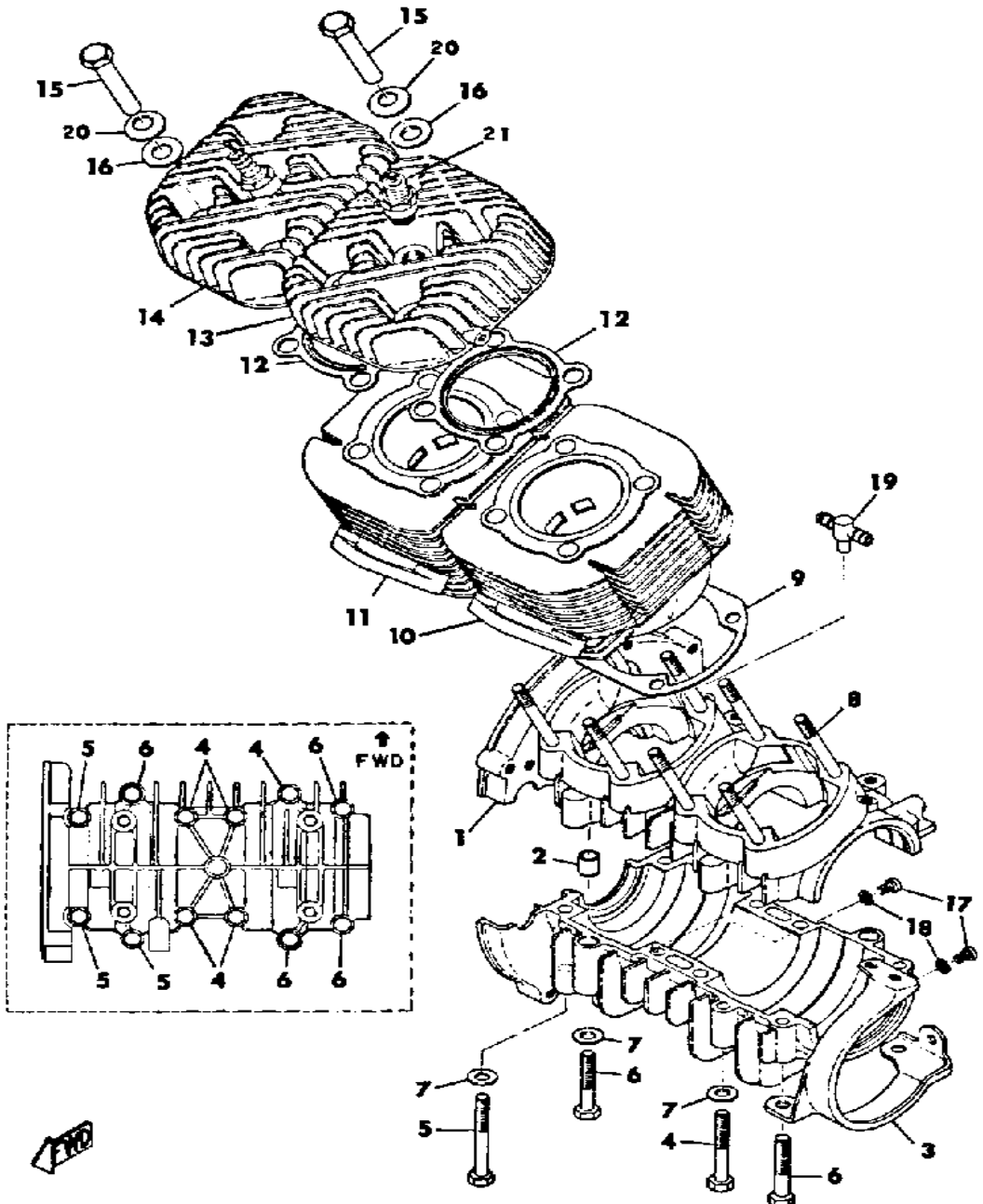
**PARTS CATALOGUE**

**SNOWMOBILE**

Property of [www.SmallEngineDiscount.com](http://www.SmallEngineDiscount.com) - Not for Resale

# CRANKCASE

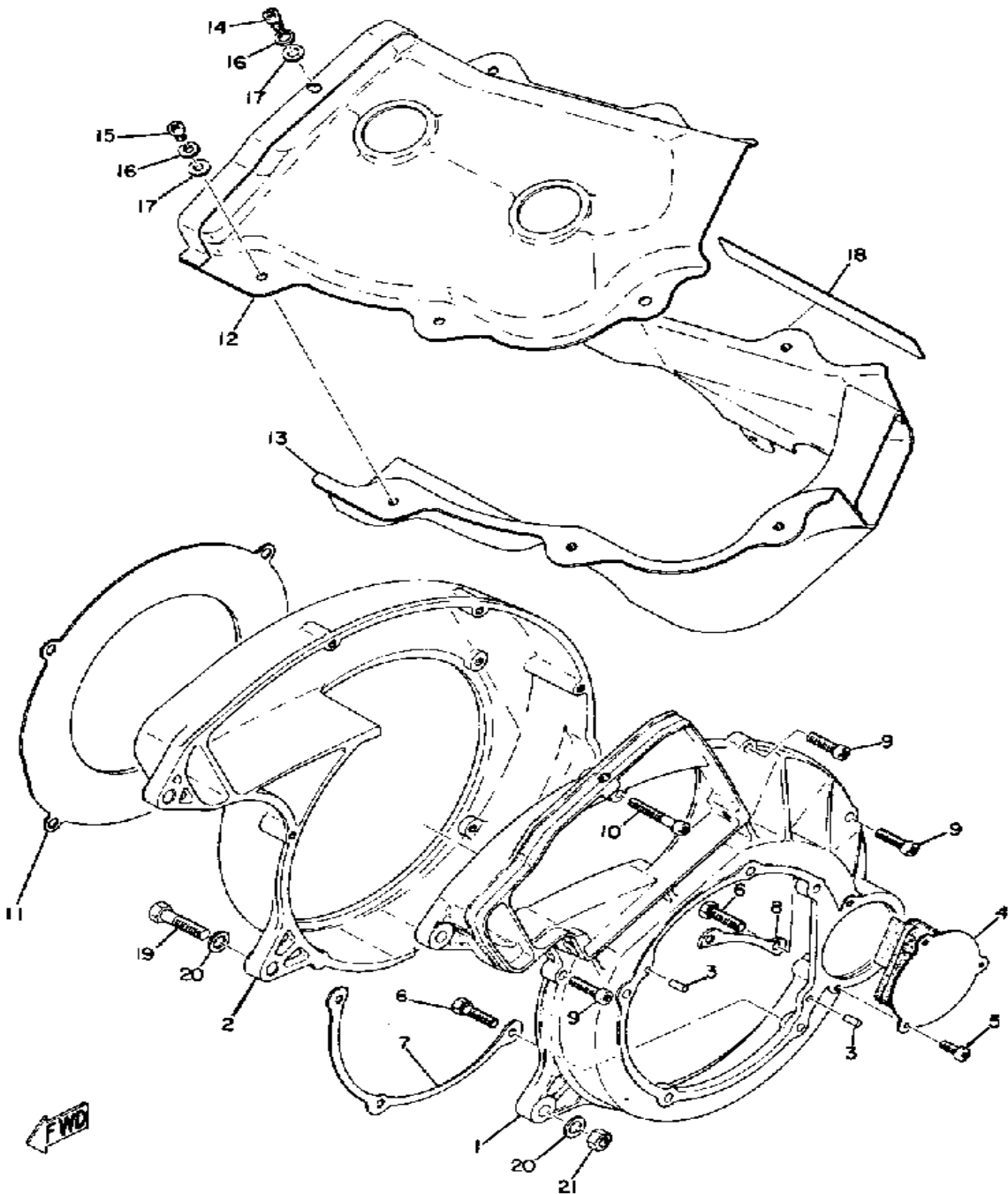
Ref. No.	Part Number	Description	Qty	Remarks
1	(811-15100-01-00)	CRANKCASE ASSEMBLY	1	
2	99510-12016-00	PIN, DOWEL	2	
3	(810-15491-02-00)	PROTECTOR	1	
4	97013-08060-00	BOLT (663)	5	
5	97021-08070-00	BOLT	3	
6	97313-08050-00	BOLT, HEXAGON (90101-08125)	4	
7	92990-08200-00	WASHER, PLAIN		
8	90116-08064-00	BOLT, STUD	8	
9	857-11351-00-00	GASKET, CYLINDER	2	
10	(818-11311-00-00)	CYLINDER 1	1	
11	(818-11321-00-00)	CYLINDER 2	1	
12	818-11181-00-00	GASKET, CYLINDER HEAD 1	2	
13	(818-11111-00-00)	HEAD, CYLINDER 1	1	
14	818-11121-00-00	HEAD, CYLINDER 2	1	
15	90179-08076-00	NUT, SPEC'L SHAPE	8	
16	92990-12200-00	WASHER, PLAIN	8	
17	98580-06010-00	SCREW, PAN HEAD (92503-06010)	2	
18	90430-06017-00	GASKET	2	
19	(807-24461-00-00)	PIPE, JOINT	1	
20	90208-12015-00	WASHER, CONICAL SPRING	8	
21	(CMP-N2G00-00-00)	CHAMPION N2G 10PK	2	STD
	(CMP-N3G00-00-00)	CHAMPION N3G 10PK	2	
	94700-00068-00	UNAVAILABLE IN PRICE BOOK (N-59G) (94700-00001)	2	



2. BORE & STROKE/DISPLACEMENT	68 x 59.6mm 433cc
3. MAXIMUM HORSEPOWER (BHP)	40 @ 6500 RPM
4. MAXIMUM TORQUE (Ft. - Lbs.)	32 @ 6000 RPM
5. COMPRESSION RATIO & PRESSURE (average)	6.5:1 120PSI(90PSI Min.)

Property of [www.SmallEngineDiscount.com](http://www.SmallEngineDiscount.com) - Not for Resale

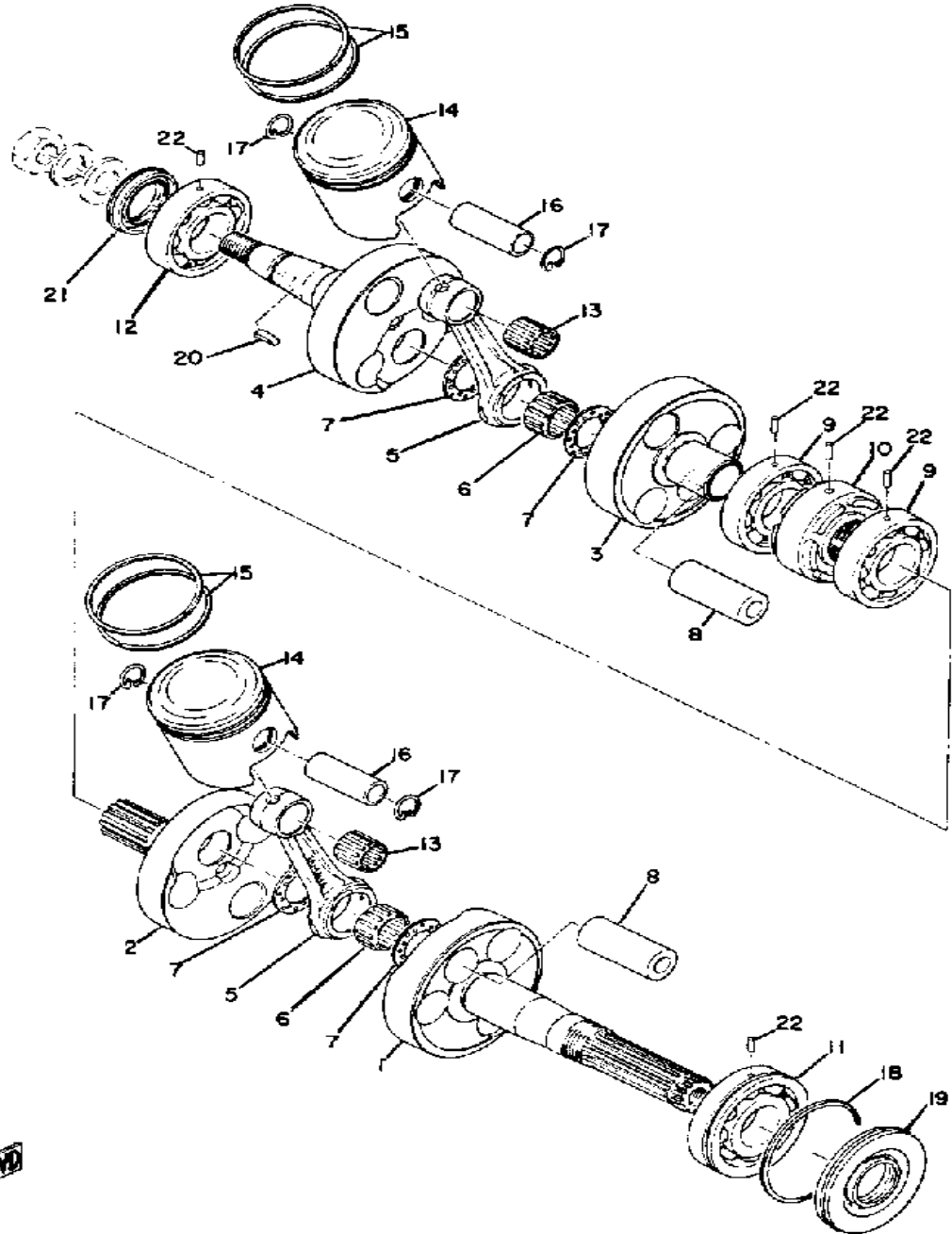
# FAN CASE & AIR SHROUD



Ref. No.	Part Number	Description	Qty	Remarks
1	(811-12621-00-00)	CASE, FAN .....	1	
2	(811-12622-00-00)	CASE, FAN 2 .....	1	
3	93604-14012-00	PIN, DOWEL .....	2	
4	(811-12633-00-00)	PLATE .....	1	
5	98903-05010-00	SCREW, BIND .....	3	
6	(807-12623-00-00)	BOLT .....	5	
7	(807-12624-00-00)	WASHER, LOCK 1 .....	1	
8	(807-12625-00-00)	WASHER, LOCK 2 .....	1	
9	98511-06025-00	SCREW PAN HEAD (92501-06025) .....	4	
10	98580-06040-00	SCREW, pan head (92501-06040-00) .....	1	
11	(807-12631-00-00)	DEFLECTOR 1 .....	1	
12	(813-12651-00-00)	AIR SHROUD, CYLINDER 1 ...	1	
13	(813-12652-00-00)	AIR SHROUD, CYLINDER 2 ...	1	
14	98580-06012-00	SCREW, PAN HEAD .....	5	
15	98580-06010-00	SCREW, PAN HEAD (92503-06010) .....	5	
16	92995-06100-00	WASHER, SPRING .....	10	
17	92990-06200-00	WASHER .....	10	
18	(818-77351-00-00)	EMBLEM 1 .....	1	
19	97313-08035-00	BOLT, HEXAGON .....	1	
20	92990-08200-00	WASHER, PLAIN .....	2	
21	95333-08600-00	NUT .....	1	

Property of [www.SmallEngineDiscount.com](http://www.SmallEngineDiscount.com) - Not for Resale

# CRANK & PISTON



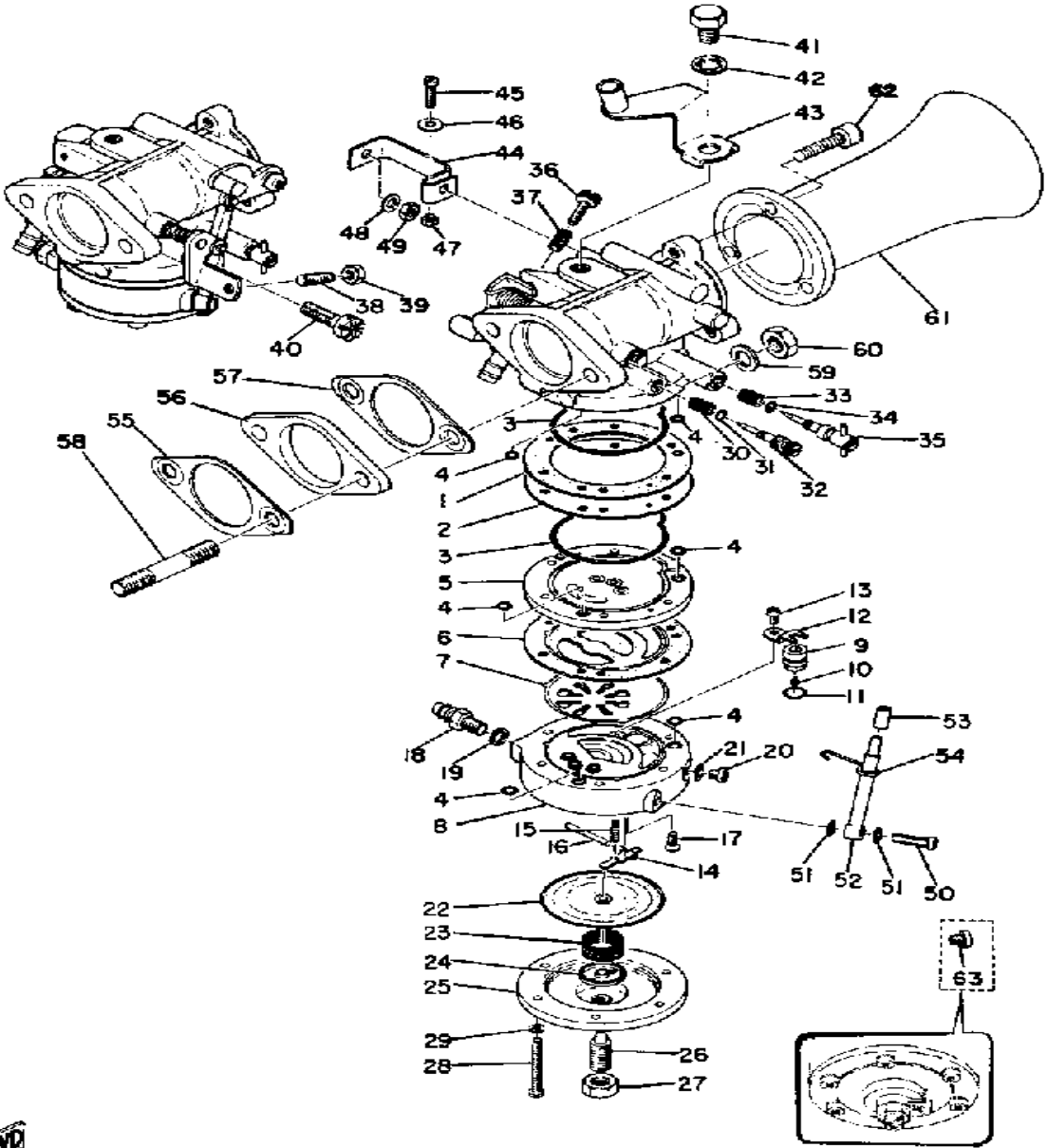
Ref. No.	Part Number	Description	Qty	Remarks
1	(811-11412-00-00)	CRANK 1 .....	1	
2	(811-11422-00-00)	CRANK 2 .....	1	
3	(807-11432-00-00)	CRANK 3 .....	1	
4	(807-11442-00-00)	CRANK 4 .....	1	
5	8A7-11651-00-00	. ROD, CONNECTING (838-11651-00) .....	2	
6	93310-42497-00	. BEARING, CYLINDER.# 0 ...	2	
7	90209-24073-00	. WASHER .....	4	
8	168-11681-00-00	. PIN, CRANK 1 .....	2	
9	93306-20633-00	. BEARING .....	2	
10	811-11515-00-00	. SEAL, LABYRINTH 1 .....	1	
11	93306-30603-00	. BEARING .....	1	
12	93306-20633-00	. BEARING .....	1	
13	93310-218A6-00	BEARING .....	2	
14	(818-11631-02-96)	PISTON . 6 .....	2	STD
	(818-11636-02-00)	PISTON 2 O/S 0. 0 .....	2	
	818-11635-02-00	PISTON 1 O/S 0.25 (1ST O.S) (818-11635-00) .....	2	
15	(818-11611-10-00)	RING, PISTON 1ST .....	2	
	(818-11611-20-00)	RING, PISTON 2ND .....	2	
	818-11601-00-00	PISTON RINGSET STD .....	2	STD
16	818-11633-00-00	PIN, PISTON .....	2	
17	93450-20026-00	CIRCLIP .....	4	
-1	(811-11400-00-00)	CRANKSHAFT ASSEMBLY ...	1	

6. PISTON SKIRT CLEARANCE (mm & inches)	.045-.050mm (.0018"-.0020")
33. PISTON RING DESIGN & COATING	Keystone-Teflon Over Chrome

Property of [www.SmallEngineDiscount.com](http://www.SmallEngineDiscount.com) - Not for Resale

# CARBURETOR

Ref. No.	Part Number	Description	Qty	Remarks
1	806-14536-00-00	. GASKET	2	
2	806-14541-00-00	. DIAPHRAGM, PUMP	2	
3	806-14562-00-00	. O-RING	4	
4	95303-08700-00	. NUT	12	
5	(810-14542-00-00)	BODY, PUMP 1	2	
6	(810-14553-00-00)	GASKET	2	
7	806-14552-01-00	. VALVE, CHECK	2	
8	(810-14543-00-00)	BODY, PUMP 2	2	
9	(813-14590-00-00)	VALVE SEAT ASSEMBLY	2	
10	676-14186-00-00	. PIN, FLOAT	2	
11	810-24486-00-00	. O-RING	2	
12	(810-14549-00-00)	PLATE, PIN FITTING	2	
13	98580-03008-00	. SCREW, PAN HEAD	2	
14	(810-14547-00-00)	ARM, FLOAT	2	
15	810-14556-00-00	. SPRING	2	
16	(806-14548-00-00)	PIN, FLOAT ARM	2	
17	98702-03008-00	. SCREW, FLAT HEAD	2	
18	(813-14568-00-00)	JOINT	2	
19	(810-14558-00-00)	WASHER	2	
20	(806-14567-01-00)	SCREW	2	
21	810-14597-00-00	. WASHER	2	
22	810-14545-00-00	. DIAPHRAGM	2	
23	(810-14555-00-00)	SPRING	2	
24	(810-14136-00-00)	SEAT, SPRING	2	
25	(813-14544-00-00)	BODY, PUMP 3	2	
26	810-14565-00-00	. SCREW, STOP	2	
27	95303-08700-00	. NUT	2	
28	98501-04035-00	. SCREW, PAN HEAD	12	
29	92901-04100-00	. WASHER, SPRING	12	



FWD

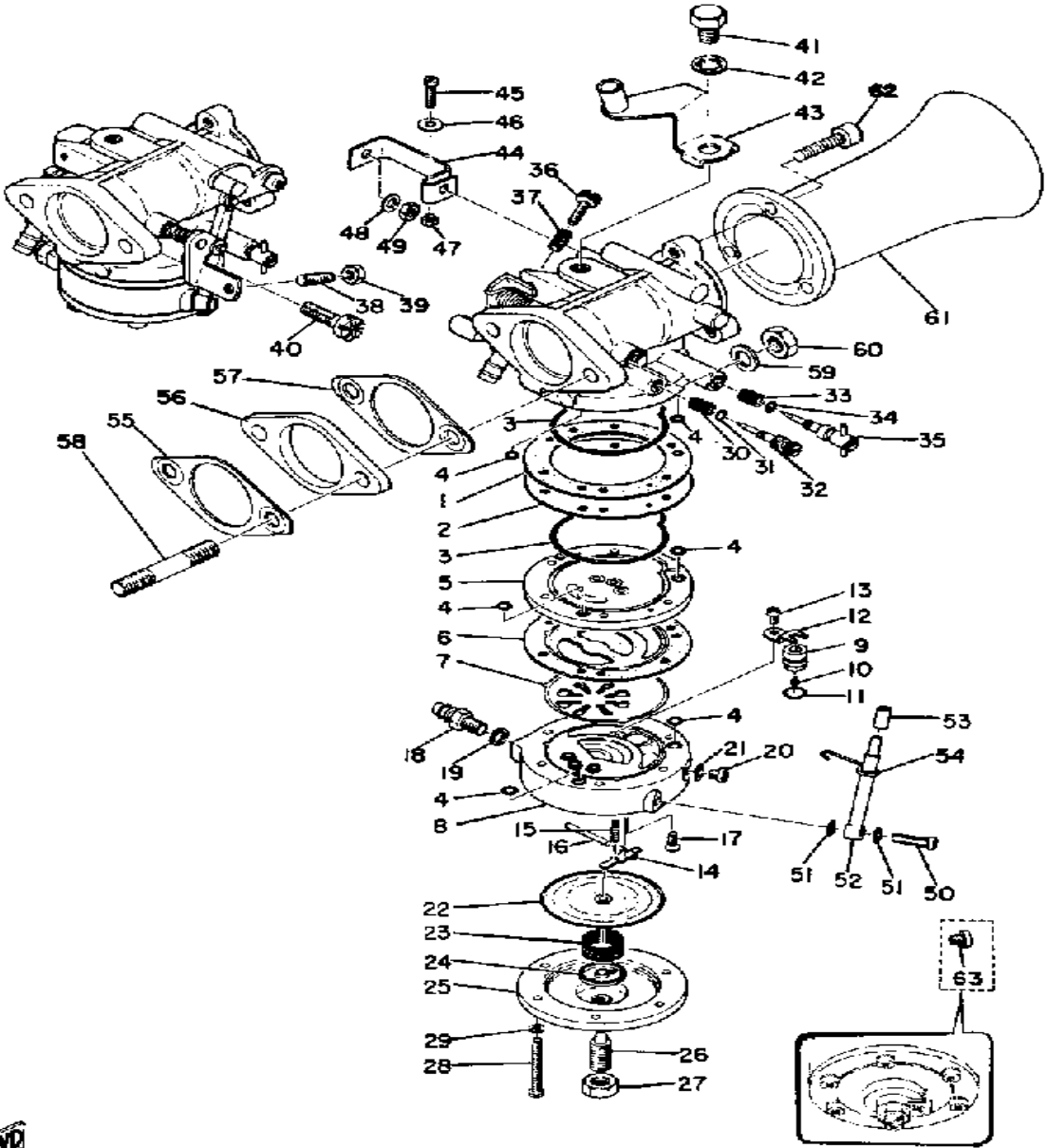
7. CARBURETOR TYPE (& quantity)	Diaphragm (x 2)
MANUFACTURER & VENTURI SIZE-ACTUAL	Keihin . 31.6mm
MODEL NUMBER	406
SLOW SPEED SCREW (turns out)	7/8
HIGH SPEED SCREW (turns out)	7/8 - 1-1/8
ENGINE IDLE SPEED	1800 RPM
FUEL VALVE SIZE (fuel inlet needle seat)	1.2

CONTINUED ON NEXT FRAME ➤

Property of [www.SmallEngineDiscount.com](http://www.SmallEngineDiscount.com) - Not for Resale

# CARBURETOR

Ref. No.	Part Number	Description	Qty	Remarks
30	(806-14531-00-00)	SPRING, AJST SCREW	2	
31	(810-14563-00-00)	O-RING	2	
32	(810-14522-00-00)	SCREW, ADJUST	2	
33	(806-14533-00-00)	SPRING, AJST SCREW	2	
34	(810-14564-00-00)	O-RING	2	
35	(813-14521-00-00)	SCREW, ADJUST	2	
36	(806-14523-00-00)	SCREW, STOP	1	
37	(806-14533-00-00)	SPRING, AJST SCREW	1	
38	(813-14591-00-00)	SCREW	1	
39	(806-14594-00-00)	NUT	1	
40	(813-14522-00-00)	SCREW, ADJUST	1	
41	97301-08010-00	. BOLT, HEXAGON	1	
42	(92901-08300-00)	WASHER, IN.TOOTH	1	
43	(813-14571-00-00)	BRACKET, THROTTLE	1	
44	(806-14588-00-00)	CONNECTOR	1	
45	98503-04014-00	. SCREW, PAN HEAD	1	
46	92990-04200-00	. WASHER, PLAIN	1	
47	(806-14595-00-00)	NUT	1	
48	(806-14598-00-00)	WASHER	1	
49	95380-05600-00	. NUT	1	
50	8A1-14592-00-00	. SCREW	1	
51	806-14559-00-00	. WASHER	4	
52	810-14197-02-00	. PIPE, AIRVENT	2	
53	810-24462-01-00	. CAP, BLIND	2	
54	(813-14159-00-00)	CLIP	2	
55	807-13556-00-00	GASKET, MANIFOLD	2	
56	(807-13555-00-00)	MANIFOLD, INTAKE	2	
57	807-13556-09-00	GASKET, MANIFOLD	2	
58	(90116-08056-00)	BOLT, STUD	4	



FWD

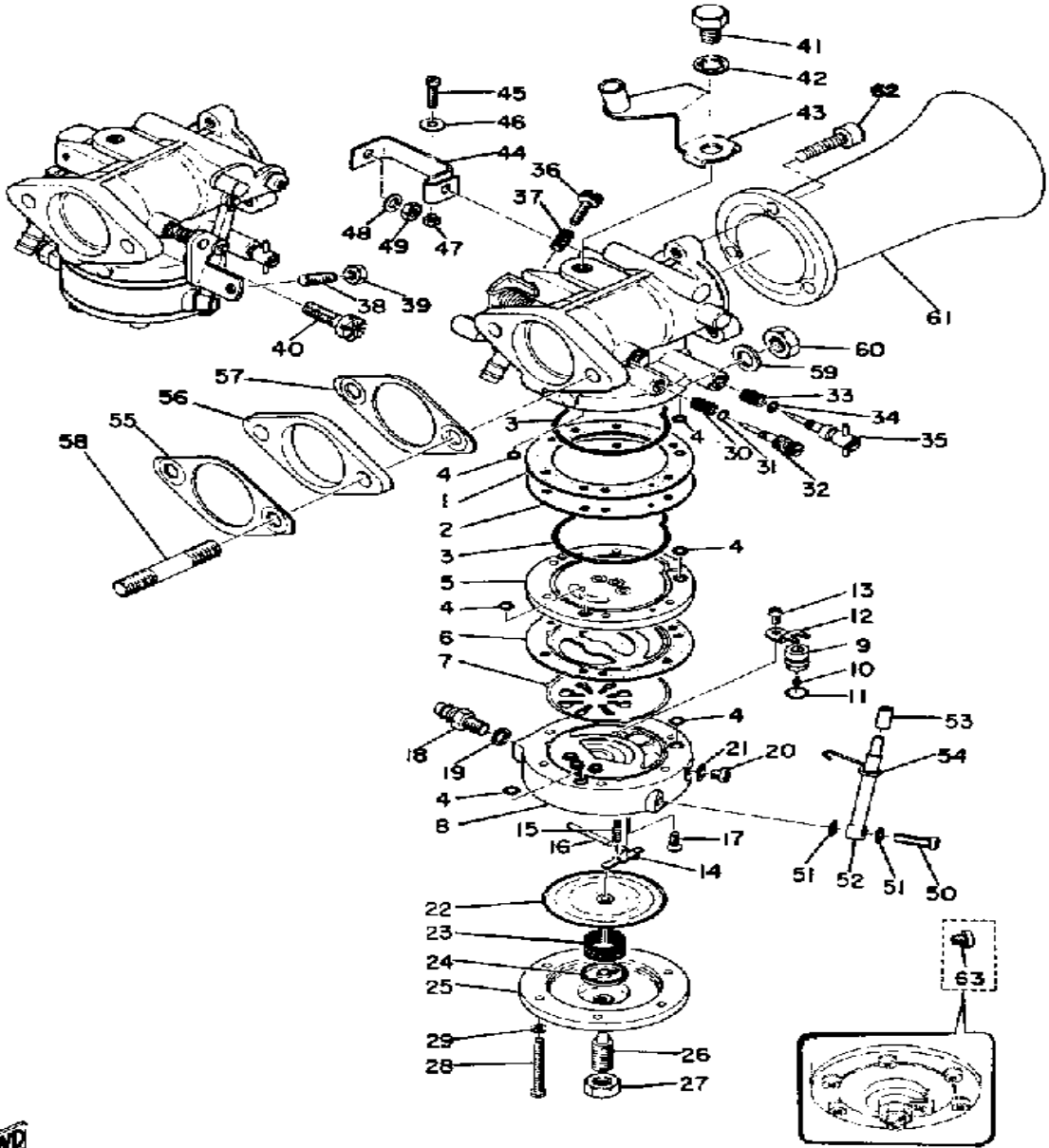
7. CARBURETOR TYPE (& quantity)	Diaphragm (x 2)
MANUFACTURER & VENTURI SIZE-ACTUAL	Keihin, 31.6mm
MODEL NUMBER	406
SLOW SPEED SCREW (turns out)	7/8
HIGH SPEED SCREW (turns out)	7/8 - 1-1/8
ENGINE IDLE SPEED	1800 RPM
FUEL VALVE SIZE (fuel inlet needle seat)	1.2

CONTINUED ON NEXT FRAME ➤

Property of www.SmallEngineDiscount.com - Not for Resale

# CARBURETOR

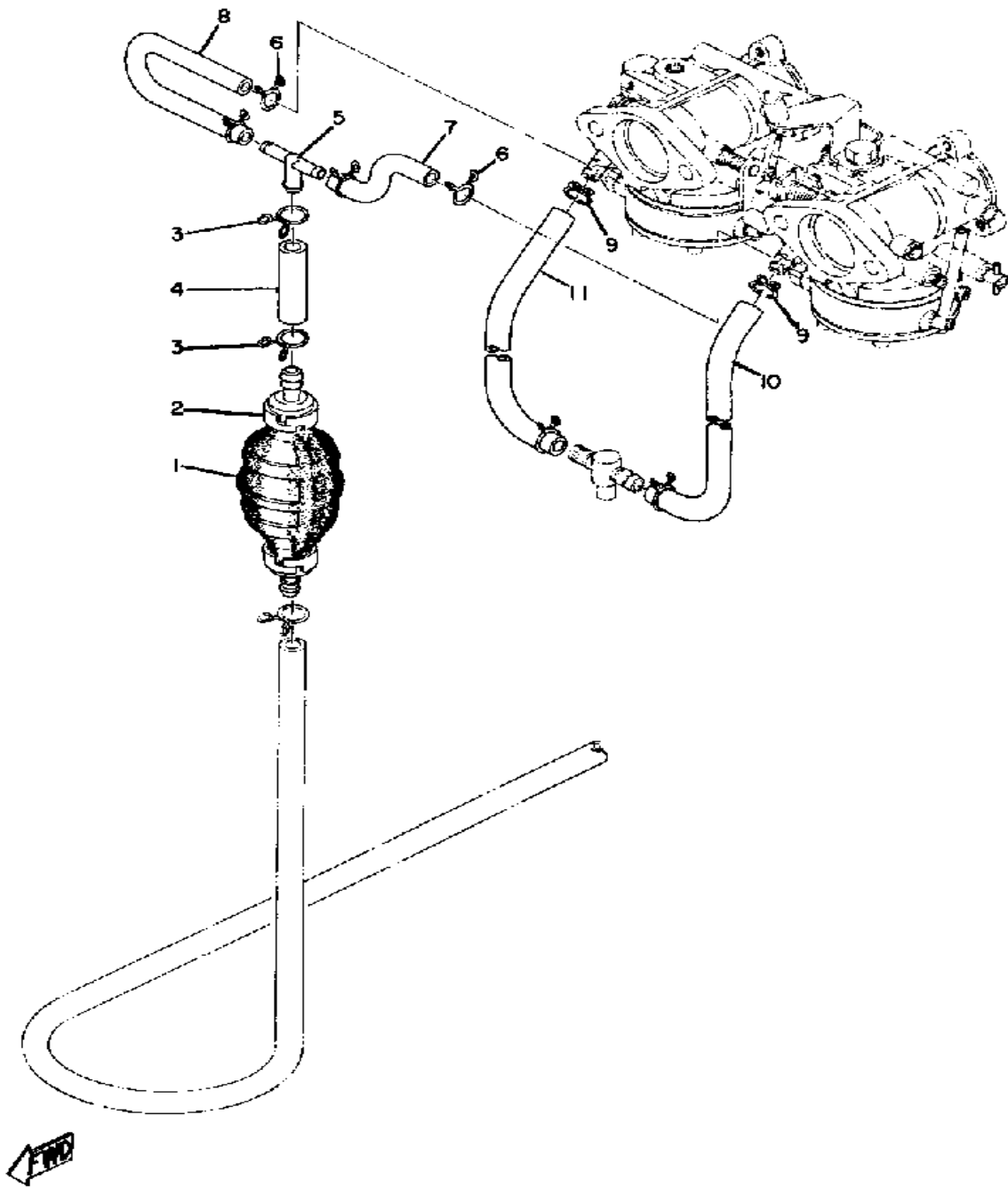
Ref. No.	Part Number	Description	Qty	Remarks
59	92990-08100-00	WASHER .....	4	
60	95303-08700-00	NUT .....	4	
61	809-14479-00-00	FUNNEL .....	2	
62	98503-06014-00	SCREW, PAN HEAD (92502-06016) .....	6	
63	98511-04006-00	SCREW, PAN HEAD (98501-04005) .....	2	ALTERNATE PARTS
-1	(818-14501-00-00)	CARBURETOR ASSEMBLY 1 .	1	
-2	(818-14502-00-00)	CARBURETOR ASSEMBLY 2 .	1	



FWD

7. CARBURETOR TYPE (& quantity)	Diaphragm (x 2)
MANUFACTURER & VENTURI SIZE-ACTUAL	Keihin, 31.6mm
MODEL NUMBER	406
SLOW SPEED SCREW (turns out)	7/8
HIGH SPEED SCREW (turns out)	7/8 - 1-1/8
ENGINE IDLE SPEED	1800 RPM
FUEL VALVE SIZE (fuel inlet needle seat)	1.2

Property of www.SmallEngineDiscount.com - Not for Resale



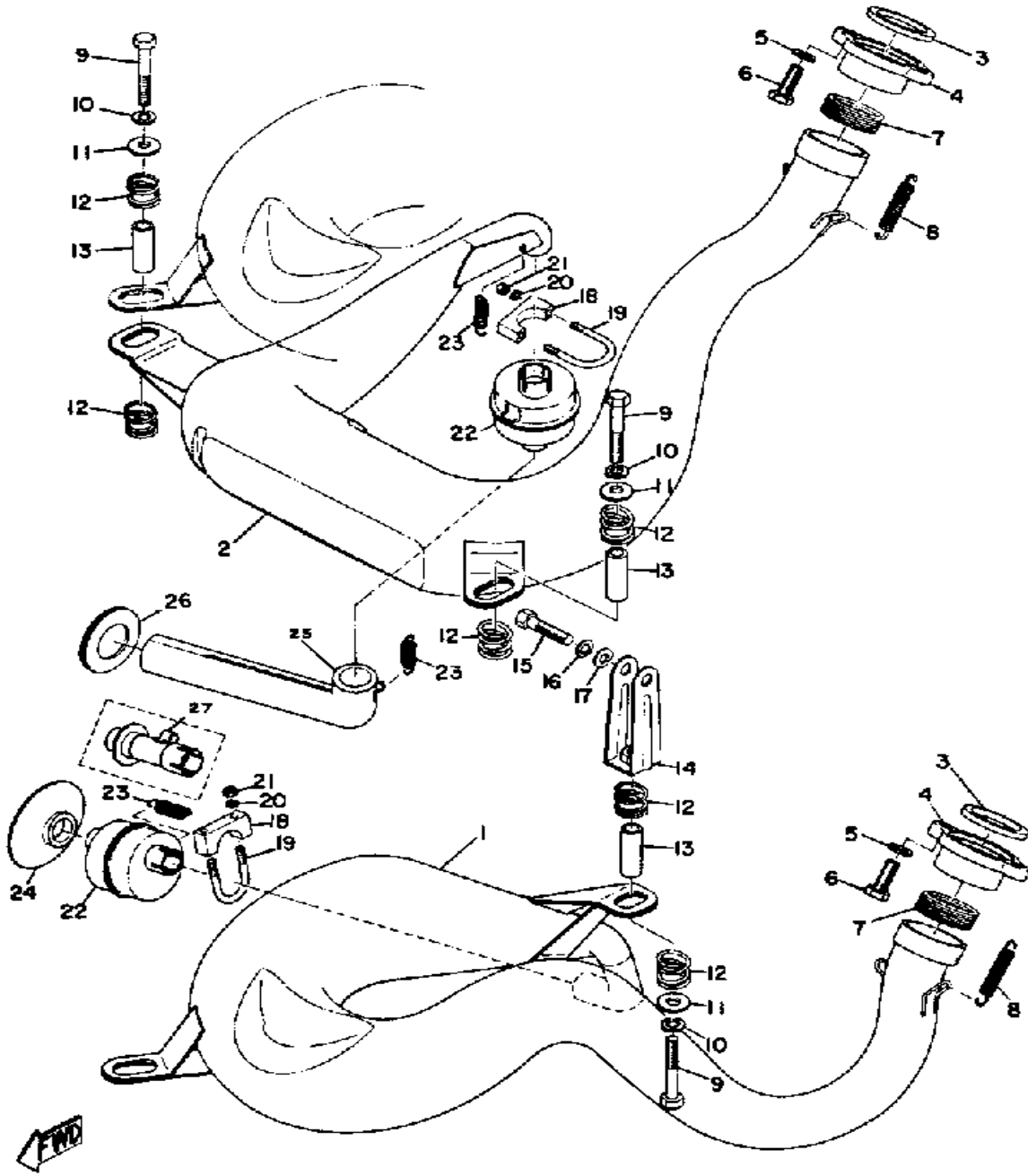
# PIPING

Ref. No.	Part Number	Description	Qty	Remarks
1	810-24360-00-00	PRIMER PUMP ASSEMBLY ...	1	
2	(601-24353-00-00)	BAND .....	2	
3	90467-11009-00	CLIP .....	2	
4	90446-11018-00	HOSE .....	1	
5	807-24376-00-00	PIPE, JOINT 1 .....	1	
6	90460-09001-00	CLAMP, HOSE .....	4	
7	(813-24313-00-00)	PIPE 3 .....	1	
8	807-24317-00-00	PIPE 7 .....	1	
9	90467-09006-00	CLIP .....	4	
10	90445-10132-00	HOSE (6-120) (813-24316-00) ..	1	
11	(90445-10129-00)	HOSE .....	1	

Property of [www.SmallEngineDiscount.com](http://www.SmallEngineDiscount.com) - Not for Resale



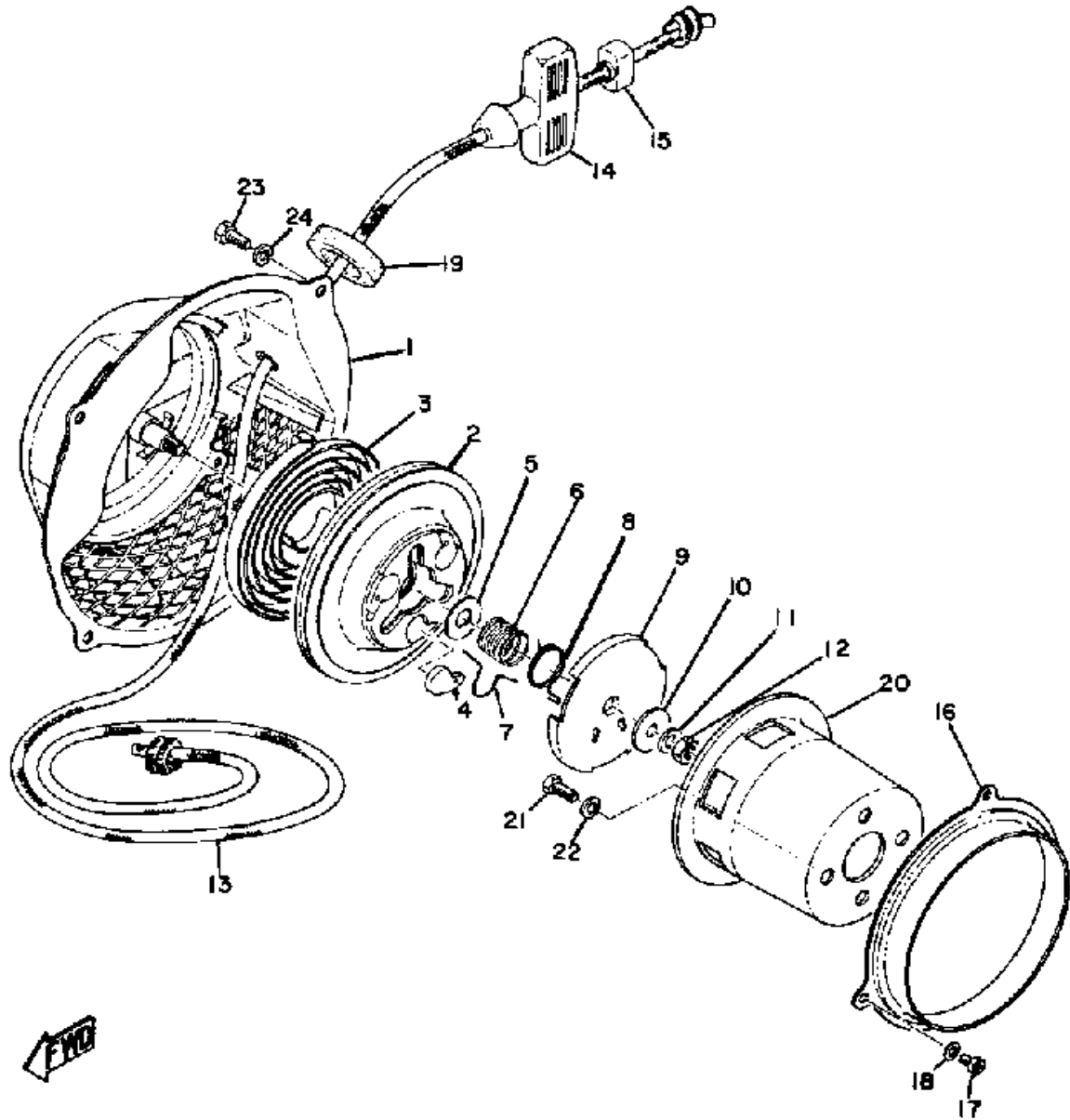
# EXHAUST



Ref. No.	Part Number	Description	Qty	Remarks
1	(818-14610-00-00)	EXHAUST PIPE ASSEMBLY L .	1	
2	(818-14620-00-00)	EXHAUST PIPE ASSEMBLY R .	1	
3	807-14613-02-00	GASKET, EXST PIPE . . . . .	2	
4	(818-14612-00-00)	NUT, RING . . . . .	2	
5	92990-08100-00	WASHER . . . . .	4	
6	97323-08025-00	BOLT (682) (97201-08025) . . . . .	4	
7	(802-14623-00-00)	GASKET, EXST PIPE . . . . .	2	
8	90506-12028-00	SPRING, TENSION . . . . .	4	
9	97013-08060-00	BOLT (663) . . . . .	3	
10	92903-08100-00	WASHER, SPRING . . . . .	3	
11	90201-085E6-00	WASHER PLATE . . . . .	3	
12	90501-26149-00	SPRING, COMPRESSION (802-14773-00) . . . . .	6	
13	90387-09071-00	COLLAR (802-14638-00) . . . . .	3	
14	(809-14791-00-00)	STAY, MUFFLER . . . . .	1	
15	97313-08045-00	BOLT . . . . .	1	
16	92990-08100-00	WASHER . . . . .	1	
17	92990-08200-00	WASHER, PLAIN . . . . .	1	
18	(818-14744-00-00)	BRACKET . . . . .	2	
19	(90109-05279-00)	BOLT . . . . .	2	
20	92990-05100-00	WASHER, SPRING . . . . .	4	
21	95380-05600-00	NUT . . . . .	4	
22	(818-14753-00-00)	SILENCER, EXHAUST . . . . .	2	
23	90506-12029-00	SPRING, TENSION . . . . .	3	
24	(818-14718-00-00)	PROTECTOR, MUFF 1 . . . . .	1	
25	(818-14746-00-00)	PIPE, MUFFLER TAIL . . . . .	1	
26	(818-14728-00-00)	PROTECTOR, MUFF 2 . . . . .	1	
27	(818-14784-00-00)	PIPE, TAIL . . . . .	2	

Property of [www.SmallEngineDiscount.com](http://www.SmallEngineDiscount.com) - Not for Resale

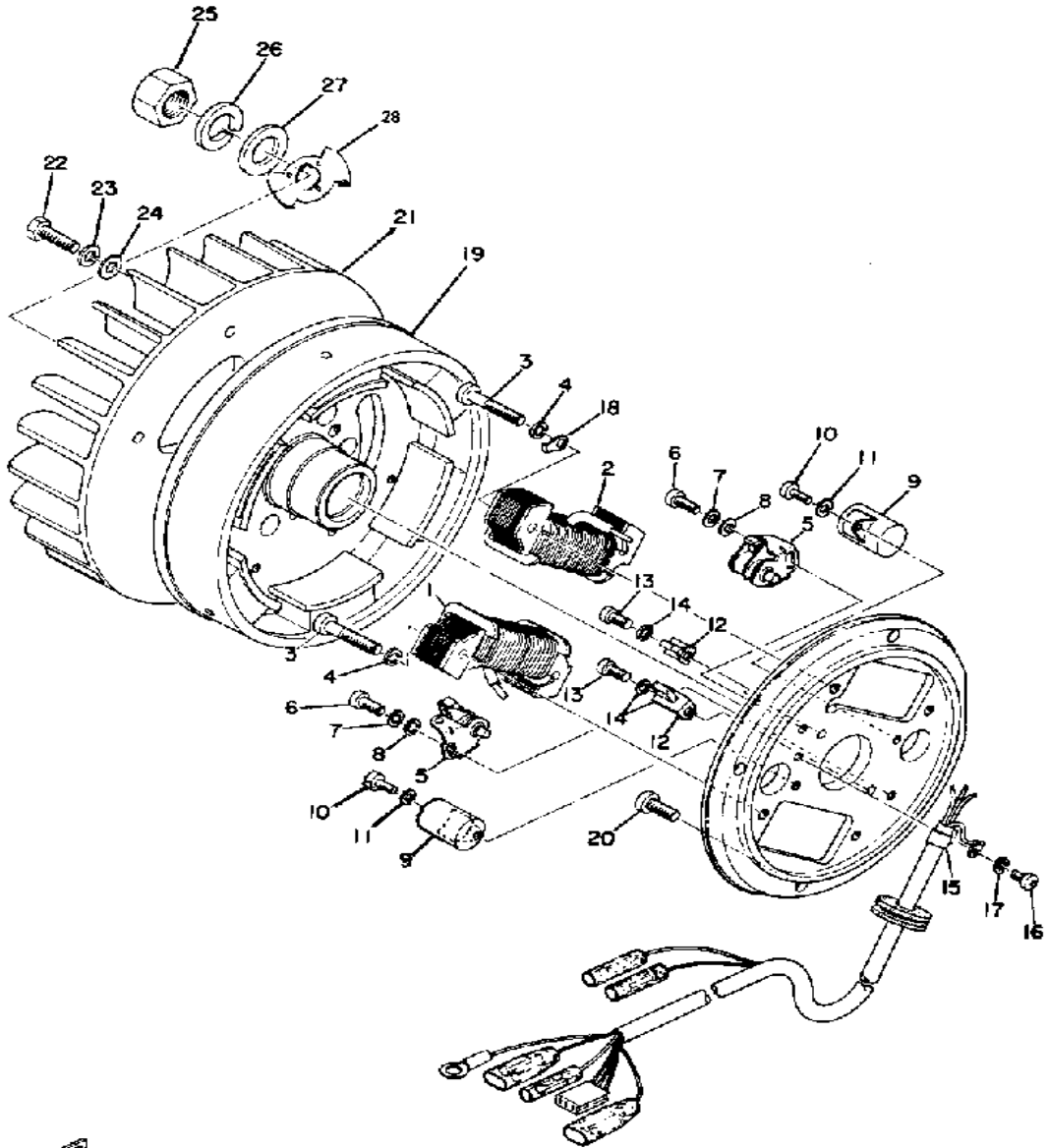
# STARTER



Ref. No.	Part Number	Description	Qty	Remarks
1	(821-15711-00-00)	CASE, STARTER	1	
2	811-15714-00-00	. DRUM, SHEAVE	1	
3	8Y0-15713-00-00	. SPRING, STARTER	1	
4	616-15741-01-00	. PAWL, DRIVE	3	
5	(802-15726-00-00)	WASHER, FLAT	1	
6	626-15715-01-00	. SPRING, DRIVE PLATE (807-15715-00)	1	
7	811-15784-00-00	. SPRING, RETURN	3	
8	811-15734-00-00	. SPRING, RETURN	1	
9	811-15716-00-00	. PLATE, DRIVE	1	
10	807-15726-01-00	. WASHER, FLAT	1	
11	92990-08100-00	. WASHER	1	
12	95303-08700-00	. NUT	1	
13	(807-15751-00-00)	ROPE, STARTER	1	
14	807-15755-00-00	. HANDLE, STARTER	1	
15	619-15756-00-00	. CONNECTOR 1	1	
16	(811-15782-00-00)	COVER, SHEAVE	1	
17	98580-05010-00	. SCREW, PAN HEAD	3	
18	92990-05100-00	. WASHER, SPRING	3	
19	(811-15775-00-00)	KNOB, STOPPER RING	1	
20	(811-15723-00-00)	PULLEY, STARTER	1	
21	97313-08016-00	BOLT, HEXAGON	3	
22	92990-08100-00	WASHER	3	
23	97313-06016-00	BOLT, HEXAGON	4	
24	92995-06100-00	WASHER, SPRING	4	
-1	(821-15710-00-00)	STARTER ASSEMBLY	1	

Property of [www.SmallEngineDiscount.com](http://www.SmallEngineDiscount.com) - Not for Resale

# FLYWHEEL MAGNETO



22. IGNITION SYSTEM TYPE	MAGNETO
23. IGNITION TIMING BEFORE T.D.C. (mm)	1.7mm BTDC (Rt.) - 1.9mm BTDC (Lt.)
24. CONTACT BREAKER POINT CONTACT PRESSURE	600-800 Grams
PRIMARY WINDING RESISTANCE	.9 Ω
SECONDARY WINDING RESISTANCE	6.3K Ω

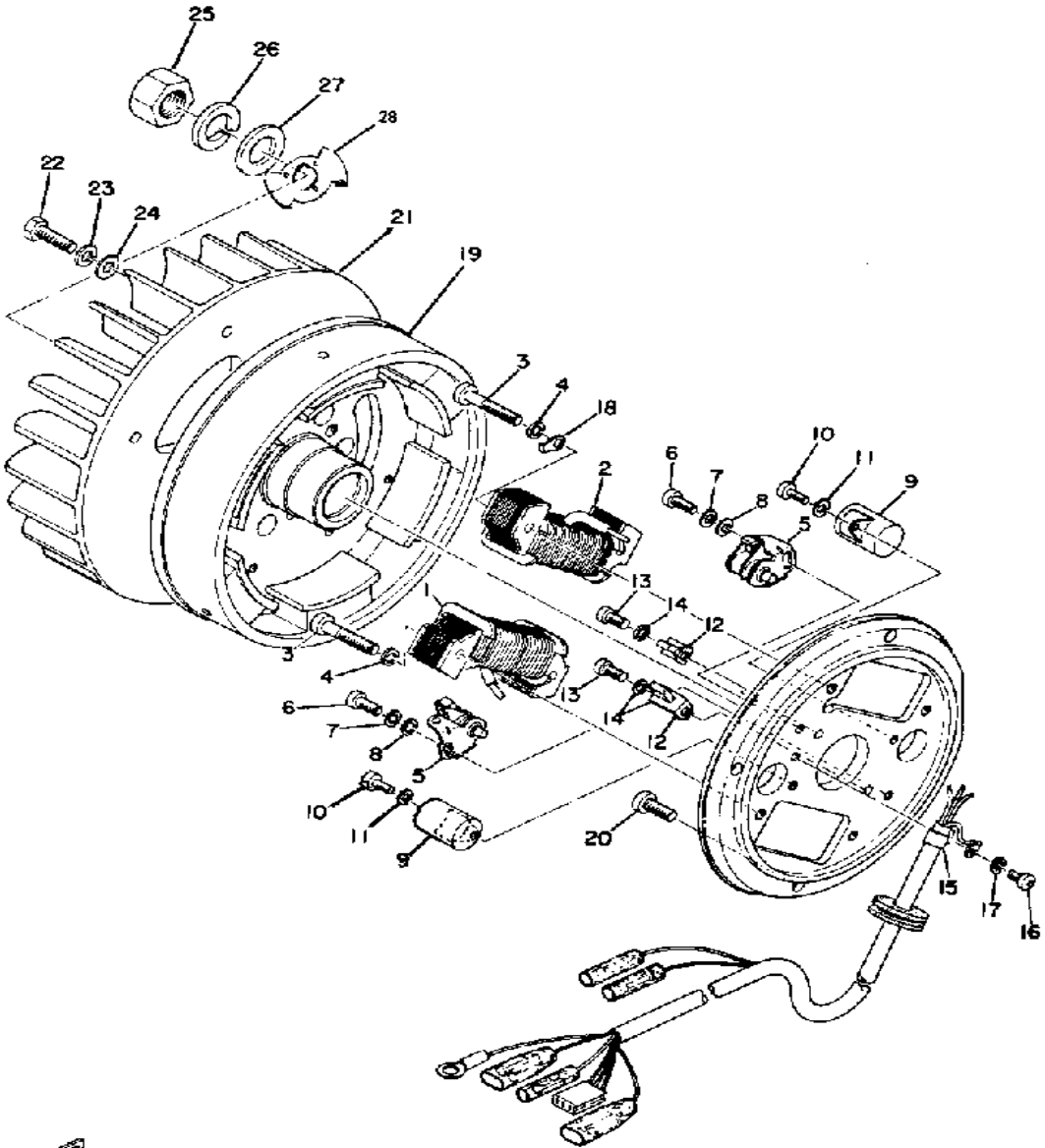
Ref. No.	Part Number	Description	Qty	Remarks
1	(810-81312-20-00)	COIL, SOURCE	1	
2	810-81313-20-00	. COIL, LIGHTING 1	1	
3	98501-05030-00	. SCREW, PAN HEAD	4	
4	92990-05100-00	. WASHER, SPRING	4	
5	806-81321-20-00	. CONTACT BRKR ASSEMBLY	2	
6	110-81346-21-00	. SCREW, PAN HEAD	2	
7	92901-04100-00	. WASHER, SPRING	2	
8	92990-04200-00	. WASHER, PLAIN	2	
9	802-81325-90-00	. CONDENSER 1	2	
10	110-81346-21-00	. SCREW, PAN HEAD	2	
11	92901-04100-00	. WASHER, SPRING	2	
12	116-81331-20-00	. LUBRICATOR	2	
13	110-81346-21-00	. SCREW, PAN HEAD	2	
14	92901-04100-00	. WASHER, SPRING	2	
15	104-81328-20-00	. CLAMP	1	
16	98580-04008-00	. SCREW, PAN HEAD	1	
17	92901-04100-00	. WASHER, SPRING	1	
18	(810-81332-20-00)	PLATE, TIMING	1	
19	(810-81350-20-00)	ROTOR ASSEMBLY	1	
20	98503-06014-00	SCREW, PAN HEAD (92502-06016)	4	
21	818-12611-00-00	FAN	1	
22	(90101-06006-00)	BOLT	8	
23	92995-06100-00	WASHER, SPRING	8	
24	90201-06M08-00	WASHER, PLATE	8	
25	90170-16182-00	NUT	1	
26	92901-16100-00	WASHER, SPRING	1	
27	(92901-16247-00)	WASHER	1	
28	(807-81362-00-00)	COVER, HOLE	1	

CONTINUED ON NEXT FRAME ➤

Property of [www.SmallEngineDiscount.com](http://www.SmallEngineDiscount.com) - Not for Resale

# FLYWHEEL MAGNETO

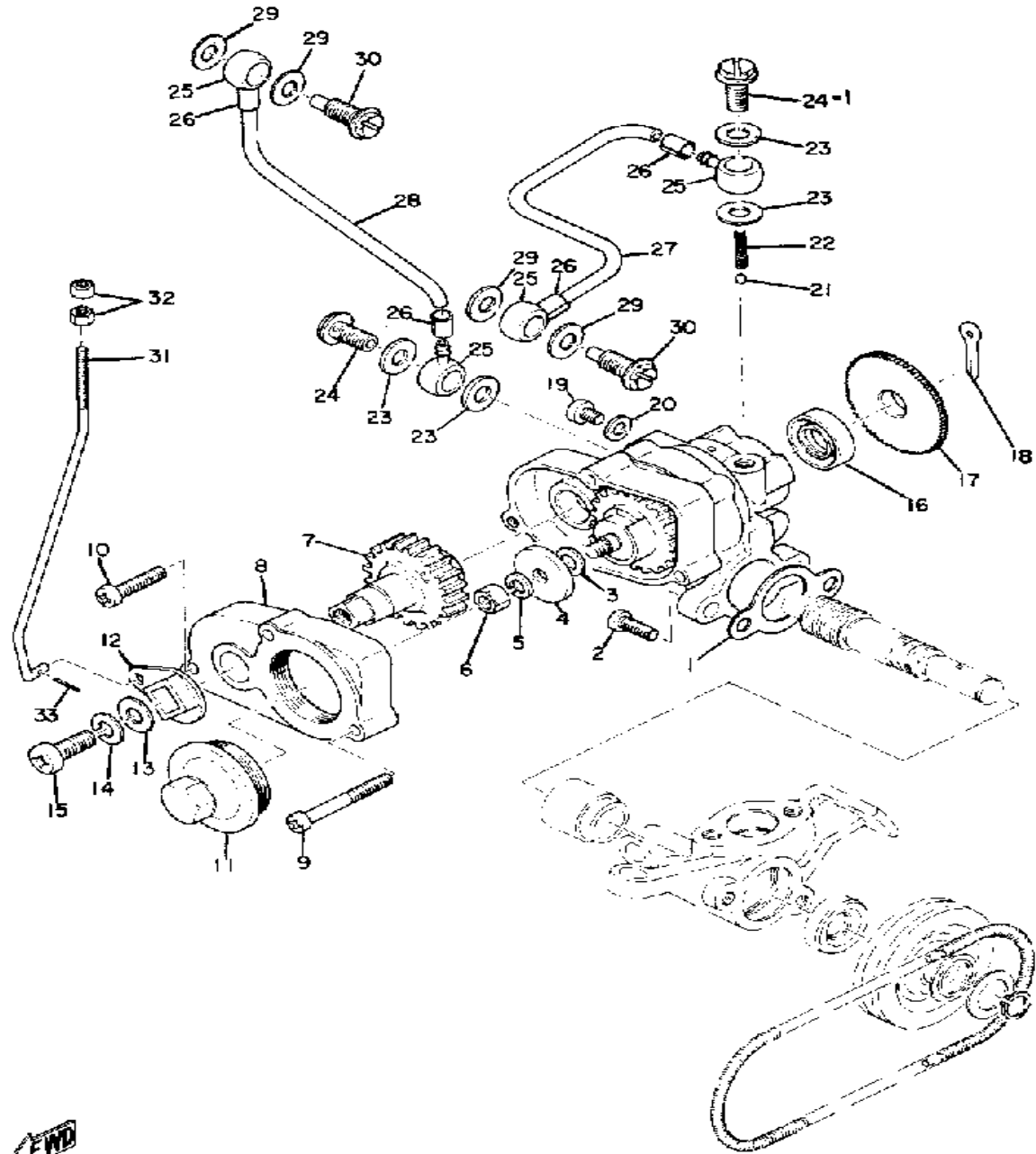
Ref. No.	Part Number	Description	Qty	Remarks
-1	(810-81300-20-00)	FLYWHL MAGNETO ASSEMBLY .....	1	



22. IGNITION SYSTEM TYPE	MAGNETO
23. IGNITION TIMING BEFORE T.D.C. (mm)	1.7mm BTDC (Rt.) - 1.9mm BTDC (Lt.)
24. CONTACT BREAKER POINT CONTACT PRESSURE	600-800 Grams
PRIMARY WINDING RESISTANCE	.9 Ω
SECONDARY WINDING RESISTANCE	6.3K Ω

Property of [www.SmallEngineDiscount.com](http://www.SmallEngineDiscount.com) - Not for Resale

# OIL PUMP



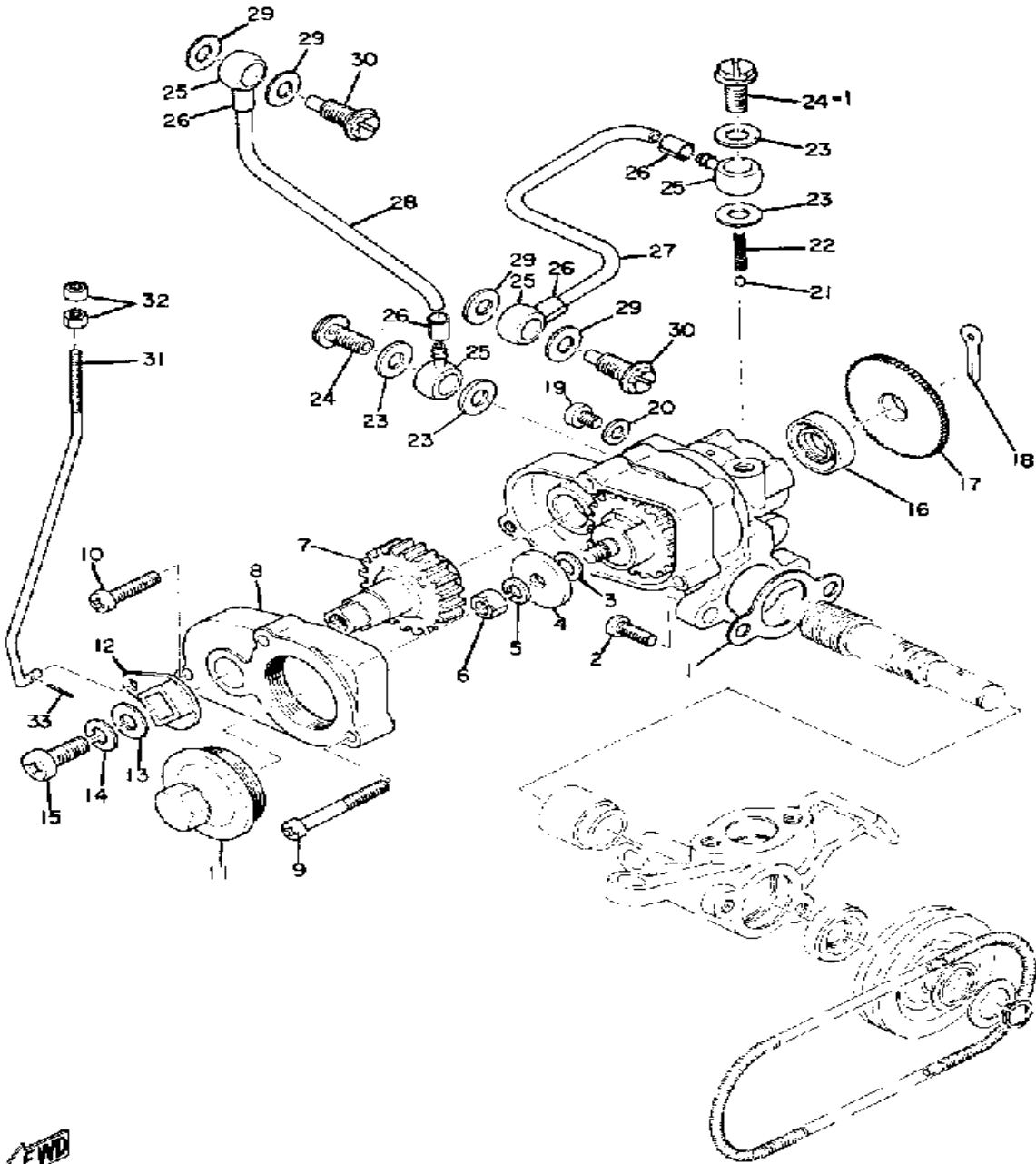
Ref. No.	Part Number	Description	Qty	Remarks
1	3MT-13116-00-00	GASKET, PUMP CASE (8Y0-13116-00)	1	
2	98580-05016-00	SCREW, PAN HEAD	2	
3	137-13137-00-10	. SHIM (1.0T)	1	
4	137-13138-01-00	. PLATE, ADJUSTING	1	
5	92990-05100-00	. WASHER, SPRING	1	
6	95380-05600-00	. NUT	1	
7	(807-13154-00-00)	GEAR, PUMP CONTROL	1	
8	(807-13146-00-00)	COVER, AJST PULLEY	1	
9	98501-04035-00	. SCREW, PAN HEAD	2	
10	98511-04020-00	. SCREW, PAN HEAD	1	
11	(807-13143-00-00)	CAP, PUMP CASE	1	
12	(807-13156-00-00)	LEVER, PUMP CONTROL	1	
13	92990-06200-00	. WASHER	1	
14	92995-06100-00	. WASHER, SPRING	1	
15	98503-06014-00	. SCREW, PAN HEAD (92502-06016)	1	
16	93101-10090-00	. OIL SEAL	1	
17	(137-13128-00-00)	PLATE, STARTER	1	
18	91401-12018-00	. PIN, COTTER	1	
19	98901-04008-00	. SCREW, BIND	1	
20	90430-04004-00	. GASKET	1	
21	93505-32002-00	. BALL	2	
22	(90501-02017-00)	SPRING, COMPRESSION	2	
23	90430-06011-00	. GASKET	4	
24	90401-06001-00	. BOLT, UNION	1	
25	214-13162-01-00	. BANJO, DLVRY PIPE	4	
26	90468-02033-00	. CLIP	4	
27	90445-05020-00	. HOSE (3-90) (807-13161-01)	1	

8. LUBRICATION SYSTEM	Autolube Oil Injection	
9. OIL PUMP ADJUSTMENT STROKE	MIN./MAX.	.20-.25mm/.205-.227mm
10. AUTOLUBE ROD ADJUSTMENT (throttle position)	At Full Throttle	

CONTINUED ON NEXT FRAME ►

Property of [www.SmallEngineDiscount.com](http://www.SmallEngineDiscount.com) - Not for Resale

# OIL PUMP

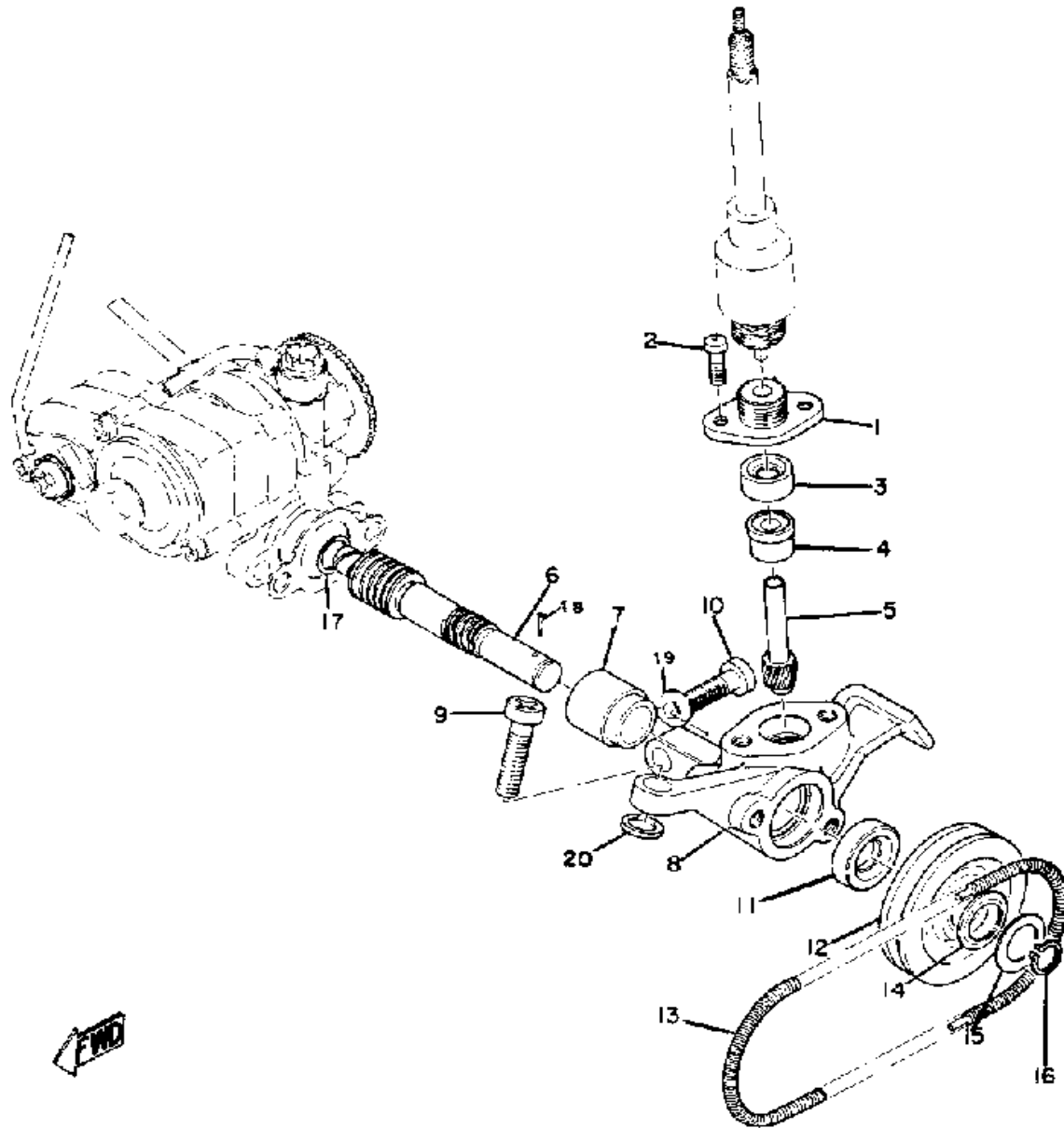


Ref. No.	Part Number	Description	Qty	Remarks
28	90445-05189-00	. HOSE (807-13171-01)	1	
29	90430-06011-00	GASKET	4	
30	90401-06011-00	BOLT, UNION	2	
31	(813-13157-00-00)	ROD, PUMP CONTROL	1	
32	90170-03008-00	NUT, HEXAGON (807-13139-00)	2	
33	91490-12012-00	PIN, COTTER	1	
-1	809-13101-00-00	OIL PUMP ASSEMBLY	1	
23-1	90201-06042-00	. WASHER, PLATE	1	
24-1	(90401-06002-00)	BOLT, UNION 0 1	1	

8.	LUBRICATION SYSTEM		Autolube Oil Injection
9.	OIL PUMP ADJUSTMENT STROKE	MIN./MAX.	.20-.25mm/.05-.27mm
10.	AUTOLUBE ROD ADJUSTMENT (throttle position)		At Full Throttle

Property of [www.SmallEngineDiscount.com](http://www.SmallEngineDiscount.com) - Not for Resale

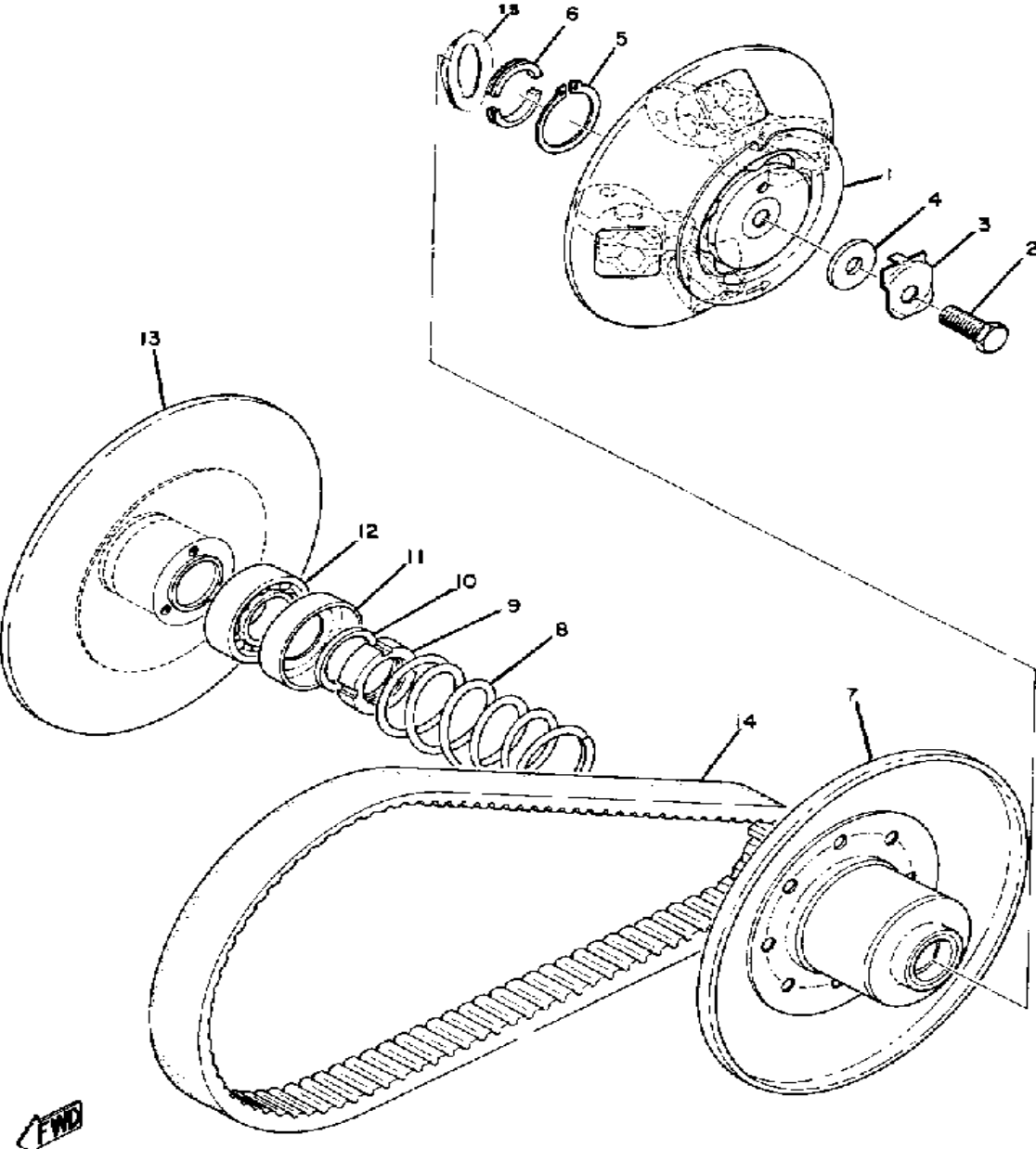
# TACHOMETER GEAR



Ref. No.	Part Number	Description	Qty	Remarks
1	(813-17819-00-00)	CAP, HOUSING	1	
2	98580-05010-00	SCREW, PAN HEAD	2	
3	(93104-06035-00)	OIL SEAL, SO-TYPE	1	
4	(813-17843-00-00)	BUSH, DRVN GR OUTER	1	
5	813-17841-00-00	GEAR, DRIVEN (10T)	1	
6	813-13175-00-00	SHAFT, WORM	1	
7	(813-13176-00-00)	METAL, WRM SHAF OTR	1	
8	(813-13199-00-00)	BRACKET, PUMP	1	
9	98580-06020-00	SCREW	1	
10	98511-06025-00	SCREW PAN HEAD (92501-06025)	2	
11	93101-10090-00	OIL SEAL	1	
12	(810-13178-00-00)	GEAR, PUMP DRIVE	1	
13	808-13189-00-00	BELT (810-13189-00)	1	
14	90261-10160-0	UNAVAILABLE IN PRICE BOOK (137-13129-00)	1	
15	137-13148-00-00	PLATE, CAM THRUST	1	
16	99009-10400-00	CIRCLIP	1	
17	(813-17837-00-03)	SHIM	1	U.R.
	(813-17837-00-05)	SHIM	1	U.R.
18	93603-22028-00	PIN, DOWEL	1	
19	92995-06100-00	WASHER, SPRING	2	
20	90201-06038-00	WASHER, PLATE	3	

Property of [www.SmallEngineDiscount.com](http://www.SmallEngineDiscount.com) - Not for Resale

# PRIMARY SHEAVE



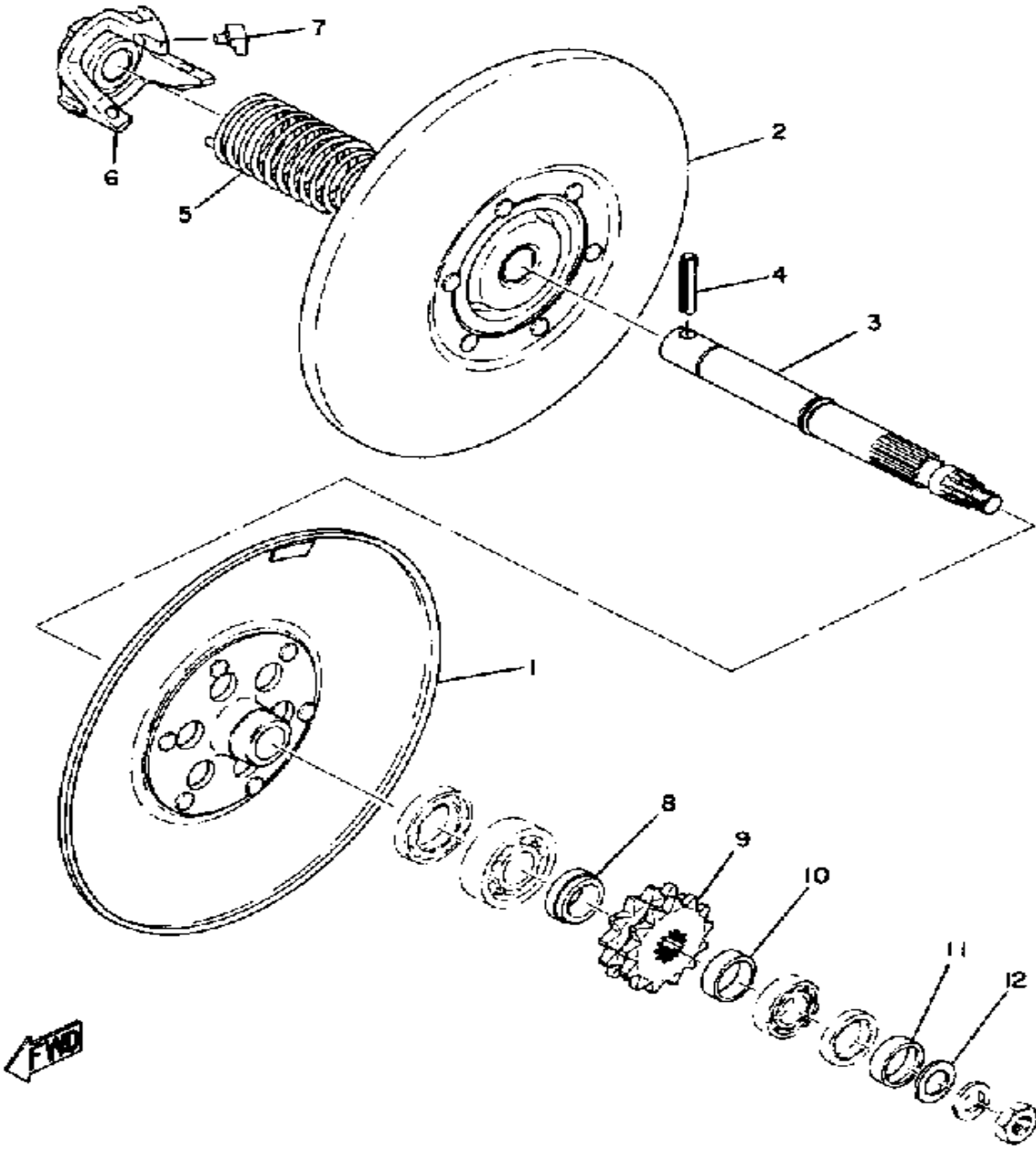
Ref. No.	Part Number	Description	Qty	Remarks
1	8F7-W1762-00-00	PRI. SHEAVE CAP (815-17630-00)	1	
2	(90109-10080-00)	BOLT	1	
3	90215-11080-00	WASHER, LOCK (810-17646-00)	1	
4	90201-10144-00	WASHER, PLATE	1	
5	99009-30400-00	CIRCLIP	1	
6	806-17645-00-00	COLLAR	2	
7	(810-17620-01-00)	PRI SLIDG SHEAVE	1	
8	90501-45161-00	SPRING, COMPRESSION (818-17643-00)	1	
9	(810-17642-00-00)	NUT, BEARING	1	
10	90208-28003-00	WASHER, CONICAL SPR	1	
11	806-17644-00-00	SEAT, SPRING	1	
12	93306-20567-00	BEARING	1	
13	(810-W1761-00-00)	PRI. FIXED SHEAVE	1	
14	806-17641-00-00	V-BELT	1	
	820-17641-00-00	V-BELT	1	
15	(809-17623-00-00)	CAM	1	

13.	V-BELT WIDTH & LENGTH (mm)	31.3mm x 1097
14.	VARIABLE SHEAVE RATIOS	3.5:1 - 1:1
15.	SHEAVE CENTER-TO-CENTER DISTANCE	270mm ± 2
16.	PRIMARY & SECONDARY SHEAVE OFF-SET	6mm ± 0.4

Property of [www.SmallEngineDiscount.com](http://www.SmallEngineDiscount.com) - Not for Resale



# SECONDARY SHEAVE

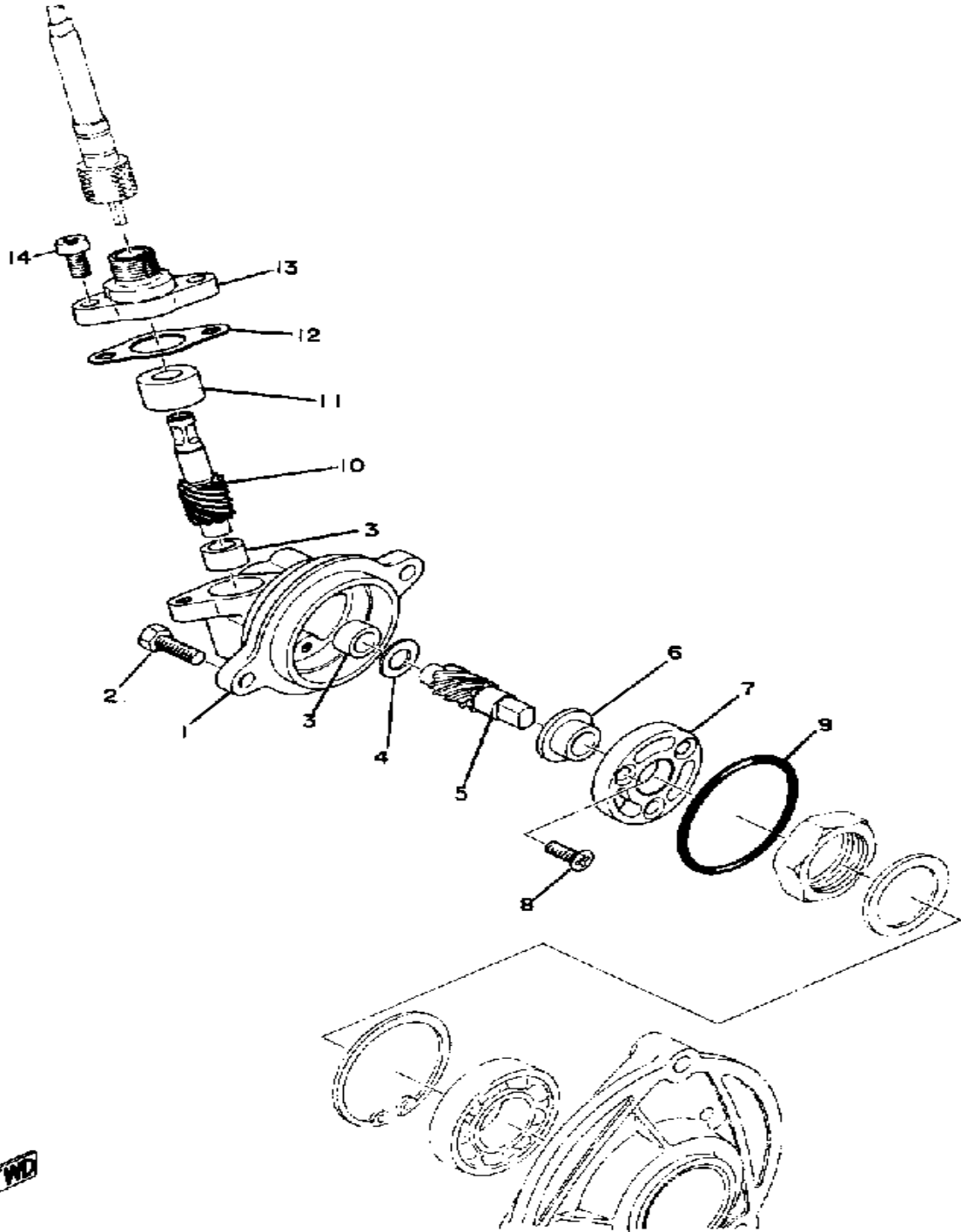


16. PRIMARY & SECONDARY SHEAVE OFF-SET 6mm ± 0.2

Ref. No.	Part Number	Description	Qty	Remarks
1	(810-17660-00-00)	SEC FXD SHV	1	
2	(810-17670-00-00)	SEC SLIDING SHEAVE	1	
3	(810-17681-00-00)	SHAFT, SECONDARY	1	
4	91609-80040-00	PIN, SPRING	1	
5	90083-50730-0	UNAVAILABLE IN PRICE BOOK (805-17683-00)	1	
6	810-17684-01-00	SEAT, SEC SPRINGSRING	1	
7	801-17688-10-00	SHOE, RAMP	3	
8	90387-19149-00	COLLAR (812-17685-00)	1	
9	802-17682-40-00	SPRKT, CHAIN DR 13TCHAIN DRIVE (13T) (806-17682-30-0)	1	
10	90387-17133-00	COLLAR	1	
11	90387-17130-00	COLLAR (818-17686-00)	1	
12	(150-17417-00-03)	SHIM 1	1	U.R.
	150-17417-00-02	SHIM 1	1	U.R.

Property of [www.SmallEngineDiscount.com](http://www.SmallEngineDiscount.com) - Not for Resale

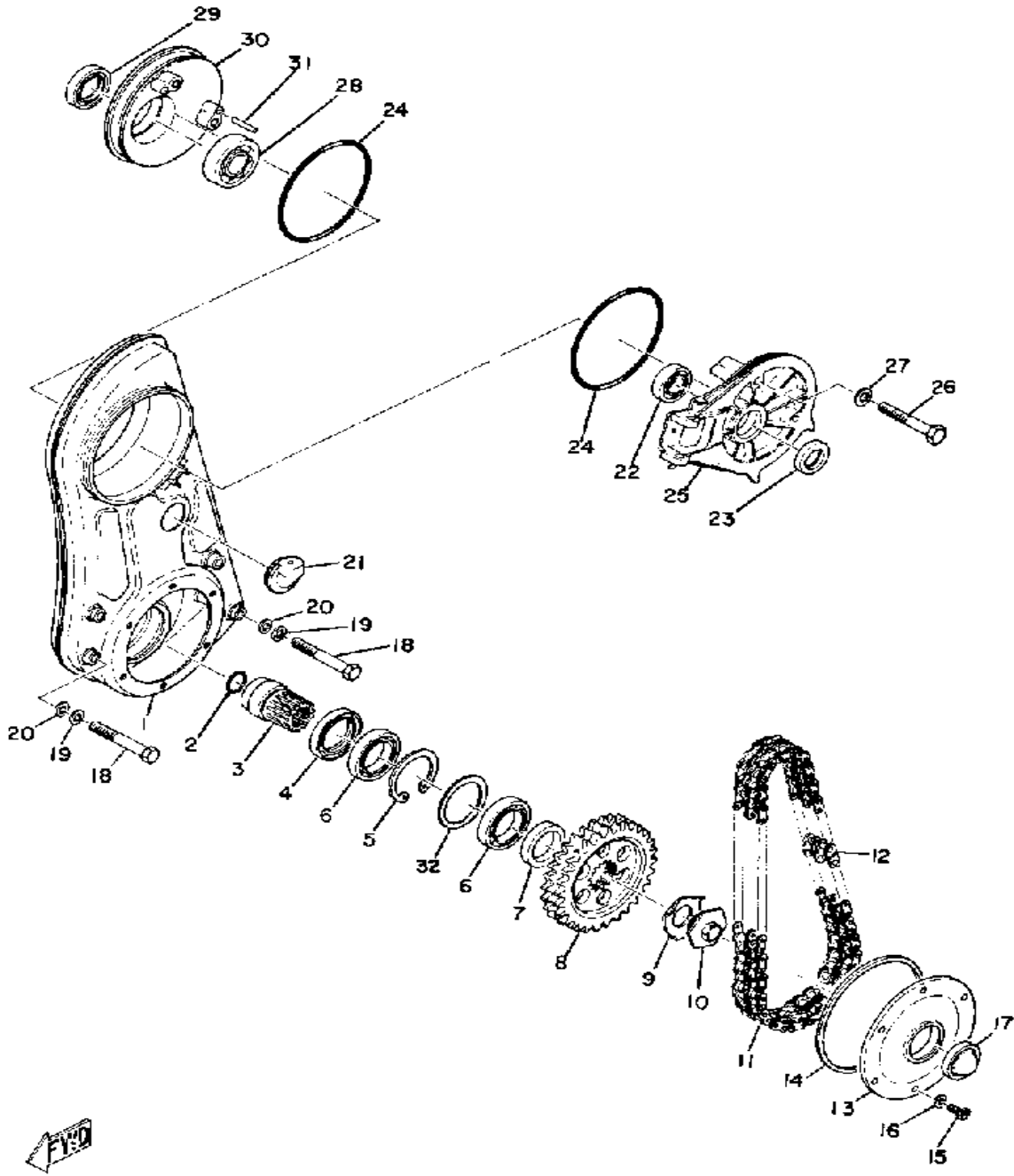
# SPEEDOMETER GEAR UNIT



Ref. No.	Part Number	Description	Qty	Remarks
1	8E6-47711-10-00	HOUSING .....	1	
2	97313-06016-00	BOLT, HEXAGON .....	2	
3	(90380-08002-00)	BUSH, SOLID .....	1	
4	810-47717-10-00	SHIM .....	1	
5	810-47731-11-00	GEAR, DRIVE .....	1	
6	90381-10003-00	BUSH, SOLID .....	1	
7	853-47712-10-00	JOURNAL .....	1	
8	98701-04012-00	SCREW, FLAT HEAD .....	3	
9	93210-43141-00	O-RING .....	1	
10	810-47741-11-00	GEAR, DRIVEN (810-47741-10)	1	
11	90380-08005-00	BUSH, SOLID .....	1	
12	810-47727-10-00	GASKET .....	1	
13	(810-47721-10-00)	COVER, HOUSING .....	1	
	8E3-47721-10-00	COVER, HOUSING .....	1	
14	98580-05012-00	SCREW, PAN HEAD .....	2	

Property of [www.SmallEngineDiscount.com](http://www.SmallEngineDiscount.com) - Not for Resale

# TRACK DRIVE

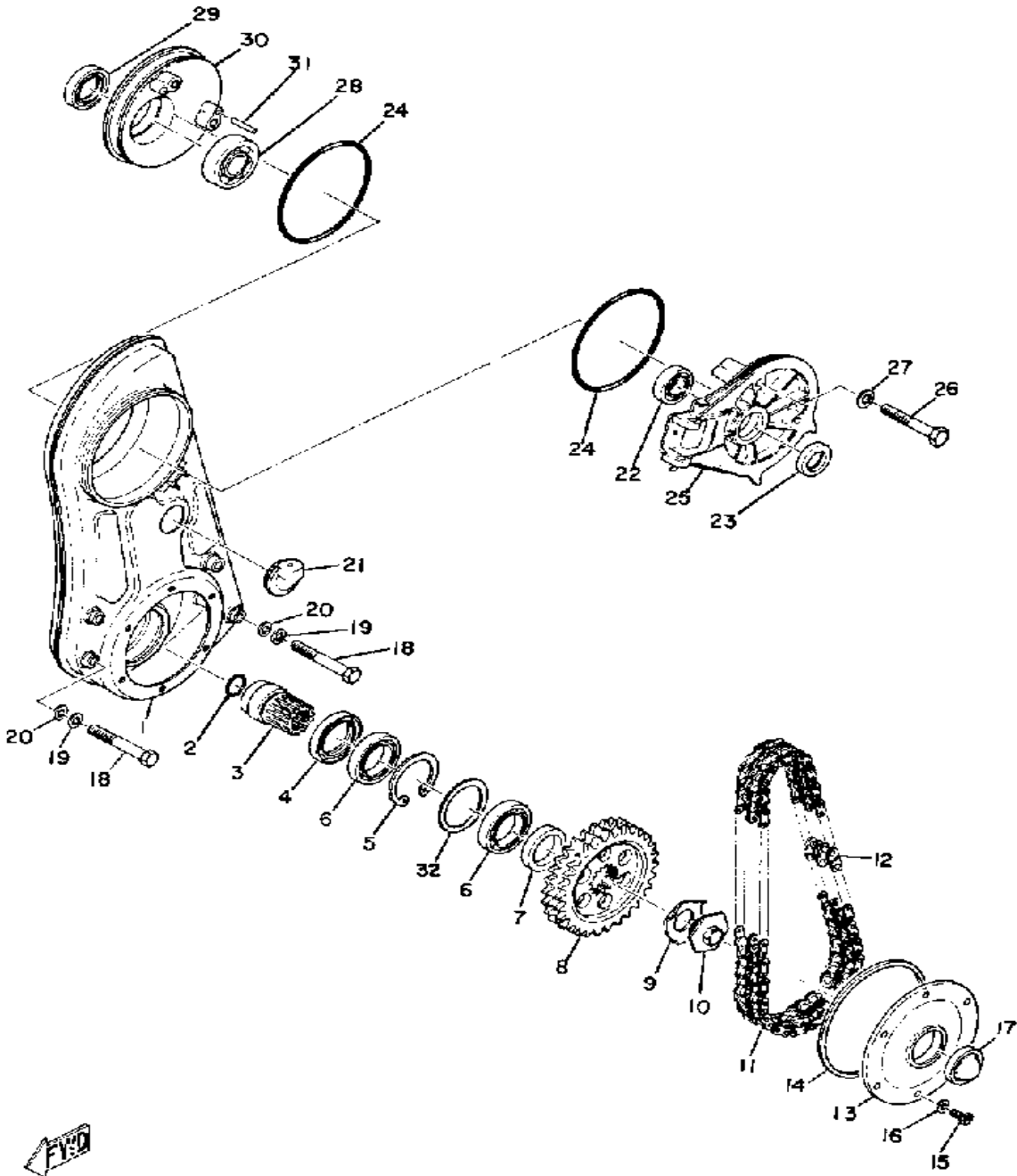


Ref. No.	Part Number	Description	Qty	Remarks
1	(820-47541-00-00)	HOUSING, CHAIN	1	
2	93210-25070-00	O-RING	1	
3	(810-47571-00-00)	JOURNAL 1	1	
4	93102-40080-00	OIL SEAL, SD-TYPE	1	
5	93420-55028-00	CIRCLIP, R-TYPE	2	
6	93306-90702-00	BEARING	2	
7	90387-35205-00	COLLAR	1	
8	(802-47548-60-00)	SPROCKET, CHN DRVN	1	
9	90215-24029-00	WASHER, LOCK	1	
10	90109-24203-00	BOLT	1	
11	94804-25062-00	CHAIN (DK425-2 62L)	1	
12	94904-25001-00	. JOINT CHAIN	1	
13	(806-47543-00-00)	CAP, HOUSING	1	
14	(806-47558-00-00)	RING, HOUSING	1	
15	90143-05004-00	SCREW, HEXAGON	6	
16	90210-05005-00	WASHER, SEAL	6	
17	802-47546-01-00	LEVEL, OIL	1	
18	97021-08070-00	BOLT	4	
19	92990-08100-00	WASHER	4	
20	92990-08200-00	WASHER, PLAIN	4	
21	(810-47559-00-00)	CAP 2	1	
22	93306-20310-00	BEARING	1	
23	93102-22087-00	OIL SEAL	1	
24	93211-13109-00	O-RING	2	
25	(818-47561-00-00)	HOUSING, SEC SHAFT	1	
26	97013-08060-00	BOLT (663)	2	
27	92990-08100-00	WASHER	2	
28	93306-30421-00	BEARING (B6304C3)	1	
29	93102-30083-00	SEAL, OIL	1	

CONTINUED ON NEXT FRAME ►

Property of [www.SmallEngineDiscount.com](http://www.SmallEngineDiscount.com) - Not for Resale

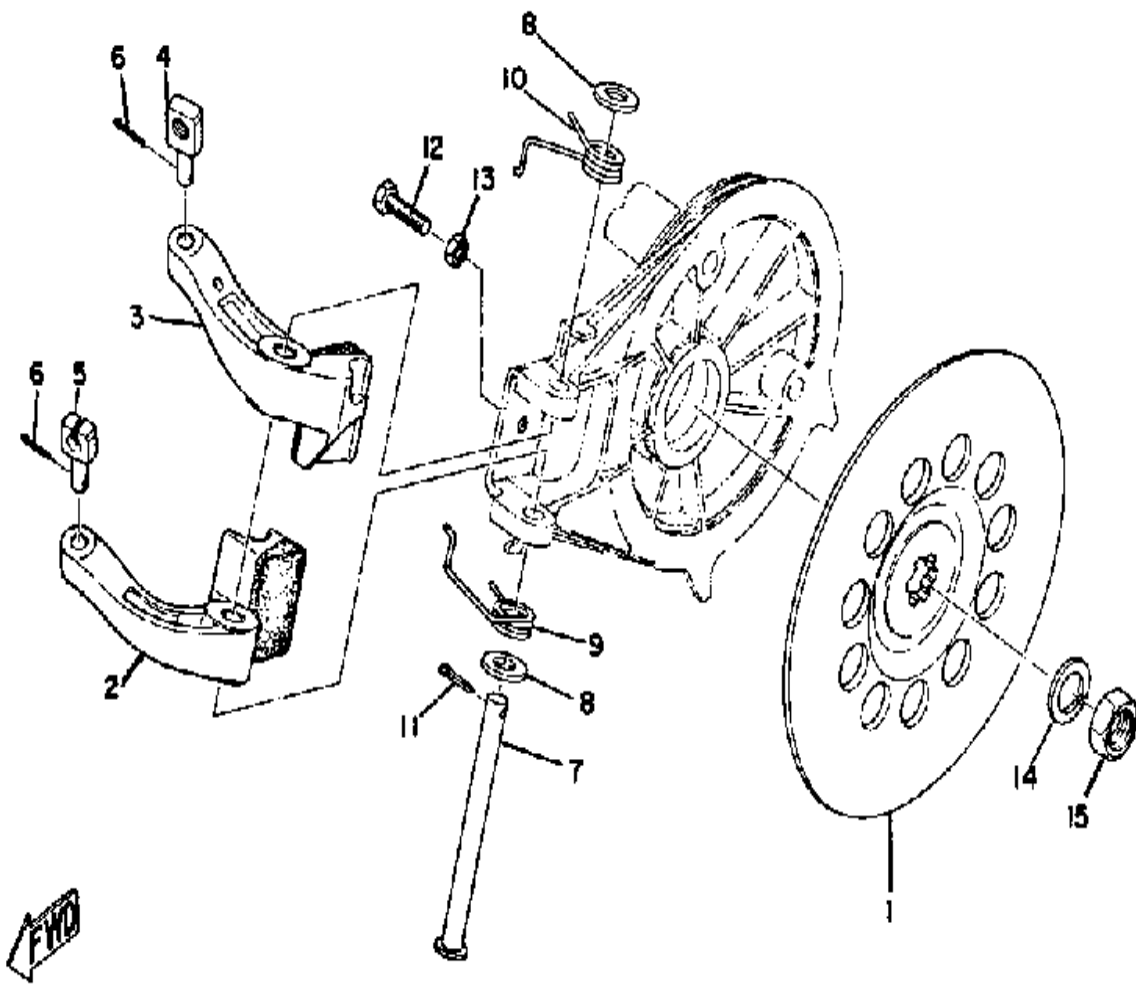
# TRACK DRIVE



Ref. No.	Part Number	Description	Qty	Remarks
30	810-47562-00-00	HOUSING, SEC SHAFT	1	
31	93604-18058-00	PIN, DOWEL	2	
32	90560-35050-00	SPACER	1	

Property of [www.SmallEngineDiscount.com](http://www.SmallEngineDiscount.com) - Not for Resale

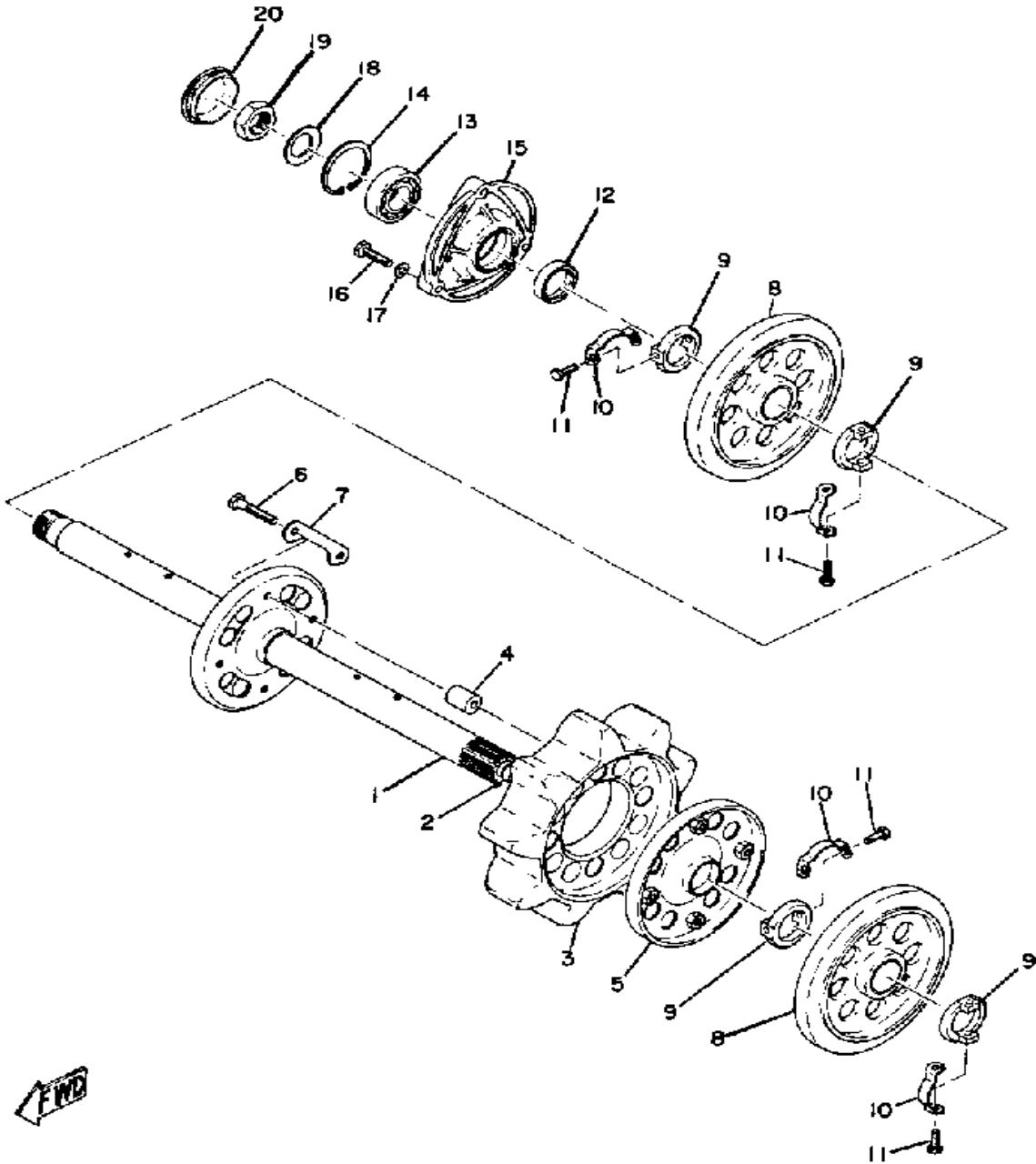
# BRAKE



Ref. No.	Part Number	Description	Qty	Remarks
1	810-25711-00-00	DISC, BRAKE .....	1	
2	821-25730-00-00	CALIPER BODY 1 .....	1	
3	821-25740-00-00	CALIPER BODY 2 .....	1	
4	90249-06012-00	PIN .....	1	
5	90249-06009-00	PIN .....	1	
6	91490-20020-00	PIN, COTTER .....	2	
7	(90240-08022-00)	PIN, CLEVIS .....	1	
8	92990-08200-00	WASHER, PLAIN .....	2	
9	(810-25735-00-00)	SPRING, RETURN 1 .....	1	
10	(810-25745-00-00)	SPRING, RETURN 2 .....	1	
11	91490-20020-00	PIN, COTTER .....	1	
12	97001-05018-00	BOLT HEXAGON .....	1	
13	95311-05700-00	NUT .....	1	
14	92901-12100-00	WASHER, SPRING .....	1	
15	95301-12700-00	NUT (95302-12700) .....	1	

Property of [www.SmallEngineDiscount.com](http://www.SmallEngineDiscount.com) - Not for Resale

# FRONT AXLE

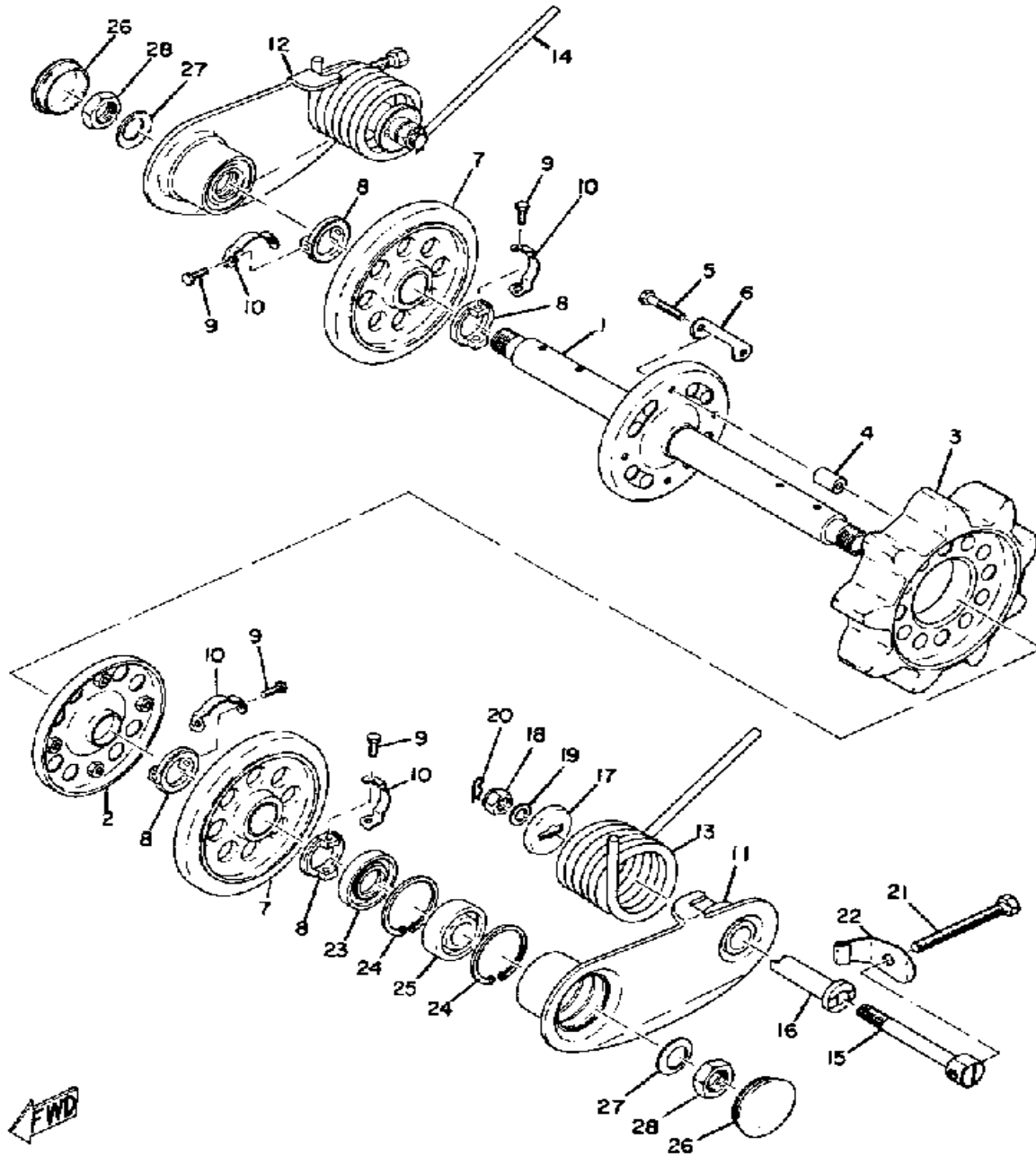


Ref. No.	Part Number	Description	Qty	Remarks
1	(810-47510-00-00)	FRONT AXLE .....	1	
2	(90336-14006-00)	PLUG, TAPER .....	1	
3	810-47532-00-00	WHEEL, SPROCKET 2 .....	1	
4	(90387-06021-00)	COLLAR .....	4	
5	(810-47522-00-00)	RIM, SPROCKET WHL 2 .....	1	
6	97013-06035-00	BOLT .....	4	
7	90215-06100-00	WASHER, LOCK .....	2	
8	810-47530-00-00	GUIDE WHEEL .....	2	
9	810-47536-00-00	COLLAR .....	4	
10	(810-47539-00-00)	WASHER, LOCK .....	4	
11	97313-05016-00	BOLT, HEXAGON .....	8	
12	93102-25084-00	OIL SEAL, SD-TYPE .....	1	
13	93306-00412-00	BEARING .....	1	
14	93420-44029-00	CIRCLIP, R-TYPE .....	1	
15	810-47551-00-00	HOUSING, FRONT AXLE .....	1	
16	97011-06025-00	BOLT (97001-06025) .....		3
17	92995-06100-00	WASHER, SPRING .....	3	
18	90208-22001-00	WASHER, CONICAL SPRING ..	1	
19	90170-22094-00	NUT .....	1	
20	810-47552-00-00	CAP .....	1	

Property of [www.SmallEngineDiscount.com](http://www.SmallEngineDiscount.com) - Not for Resale

B10

# REAR AXLE

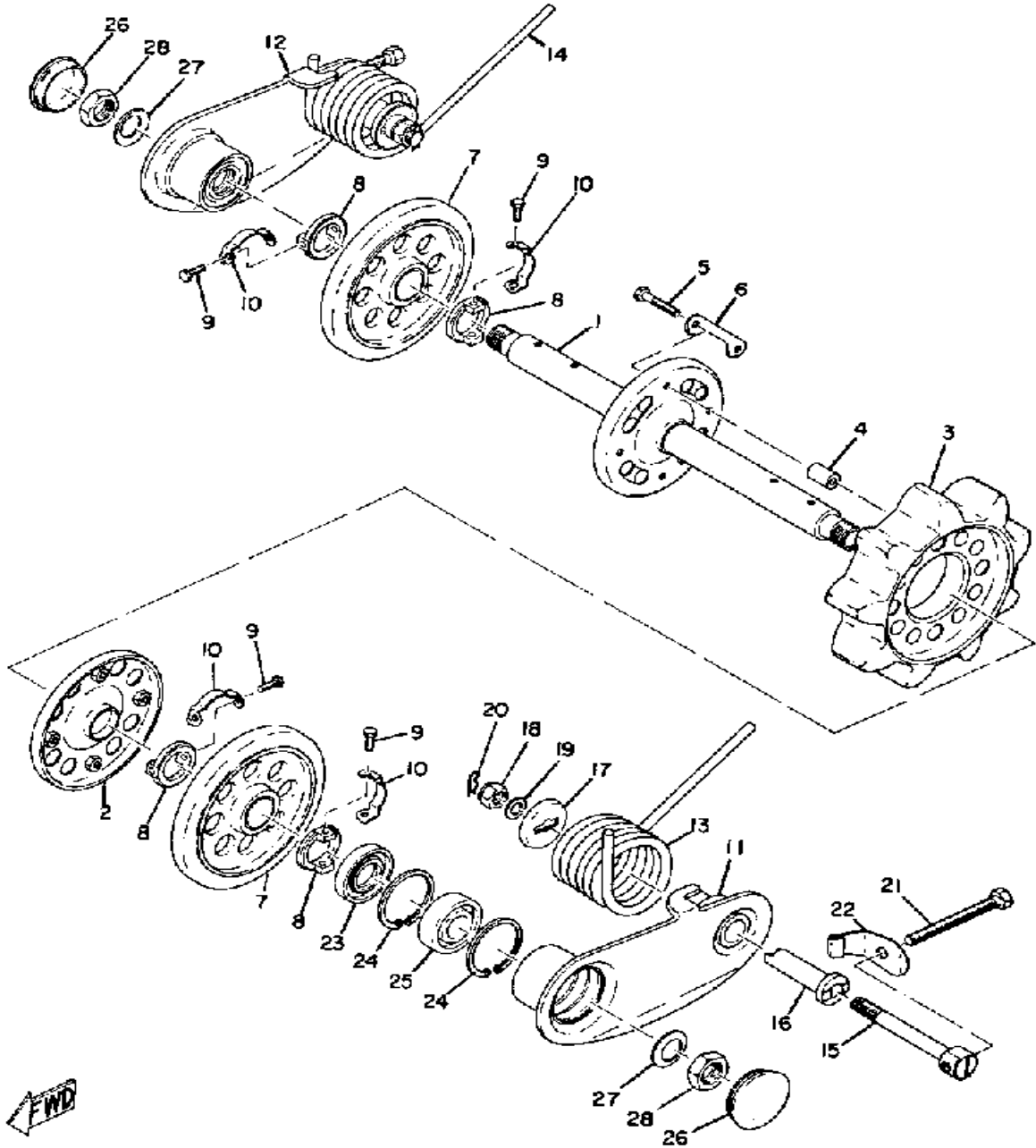


Ref. No.	Part Number	Description	Qty	Remarks
1	(810-47520-01-00)	REAR AXLE	1	
2	(810-47522-00-00)	RIM, SPROCKET WHL 2	1	
3	810-47532-00-00	WHEEL, SPROCKET 2	1	
4	(90387-06021-00)	COLLAR	4	
5	97013-06035-00	BOLT	4	
6	90215-06100-00	WASHER, LOCK	2	
7	810-47530-00-00	GUIDE WHEEL	2	
8	810-47536-00-00	COLLAR	2	
9	97313-05016-00	BOLT, HEXAGON	8	
10	(810-47539-00-00)	WASHER, LOCK	4	
11	(810-47361-00-00)	ARM, REAR PIVOT 1	1	
12	810-47362-00-00	ARM, REAR PIVOT 2	1	
13	90508-70115-00	SPRING, TORSION	1	
14	90149-08022-00	SCREW, SPEC'L SHAPE	2	
	90508-70085-00	SPRING, TORSION (806-47364-00)	1	
16	810-47369-00-00	COLLAR	2	
17	90209-08067-00	WASHER, SPEC'L SHAP	2	
18	90185-08089-00	NUT, SELF-LOCKING	2	
19	92990-08200-00	WASHER, PLAIN	2	
20	91401-30030-00	PIN, COTTER	2	
21	90106-08050-00	BOLT, DOME HEAD (841-47373-00)	2	
22	90215-08069-00	WASHER, LOCK	2	
23	93102-25081-00	OIL SEAL	2	
24	93420-44029-00	CIRCLIP, R-TYPE	4	
25	93306-00412-00	BEARING	2	
26	810-47552-00-00	CAP	2	
27	90208-22001-00	WASHER, CONICAL SPRING	2	

CONTINUED ON NEXT FRAME ►

Property of [www.SmallEngineDiscount.com](http://www.SmallEngineDiscount.com) - Not for Resale

# REAR AXLE

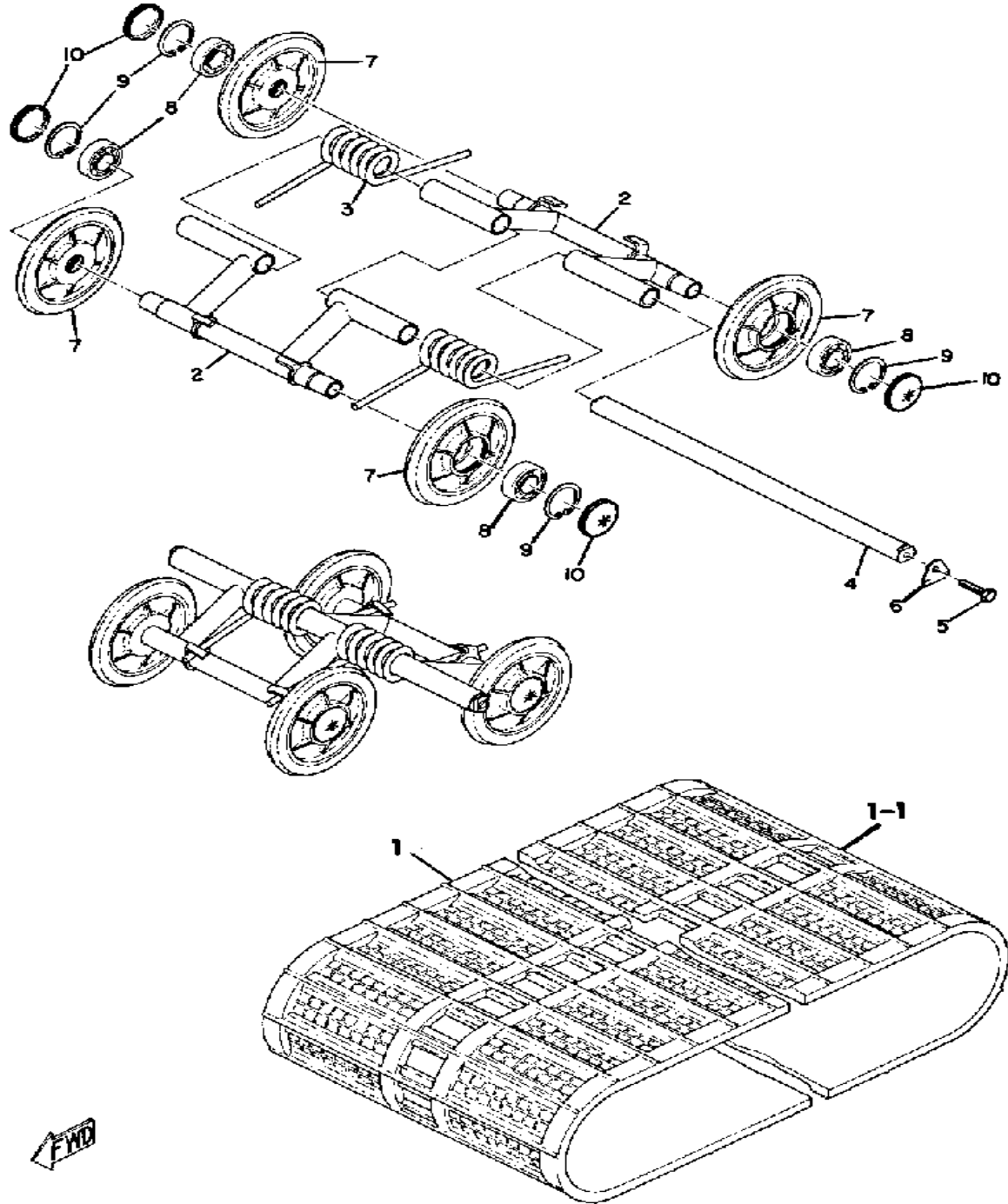


Ref. No.	Part Number	Description	Qty	Remarks
28	90170-22094-00	NUT .....	2	

Property of [www.SmallEngineDiscount.com](http://www.SmallEngineDiscount.com) - Not for Resale



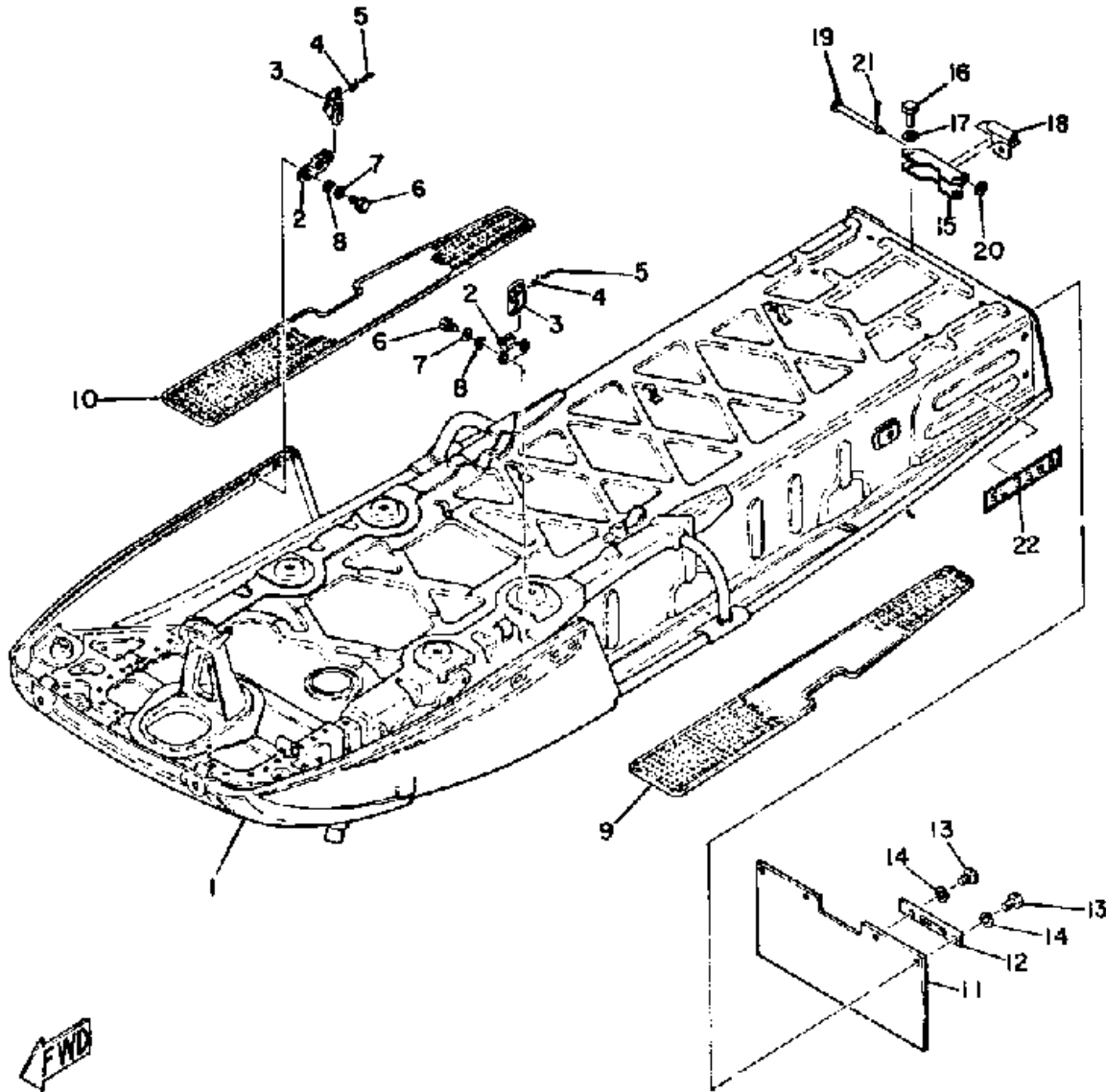
# TRACK & SUSPENSION WHEEL



Ref. No.	Part Number	Description	Qty	Remarks
1	818-47110-01-00	UNAVAILABLE IN PRICE BOOK (818-47110-00)	1	
2	(806-47331-01-00)	ARM, PIVOT 1	6	
3	90508-70100-00	SPRING, TORSION	6	
5	97313-08030-00	BOLT, HEXAGON	6	
6	(806-47347-00-00)	WASHER, LOCK	6	
7	885-47320-01-00	SUSPENSION WHEEL COMP.	12	
8	93306-00441-00	BEARING (89A) (B6004RS)	12	
9	99009-42500-00	CIRCLIP	12	
10	818-47317-01-00	CAP, WHEEL	12	
1-1	(806-47113-00-00)	PLATE, RNFCMNT	58	

Property of [www.SmallEngineDiscount.com](http://www.SmallEngineDiscount.com) - Not for Resale

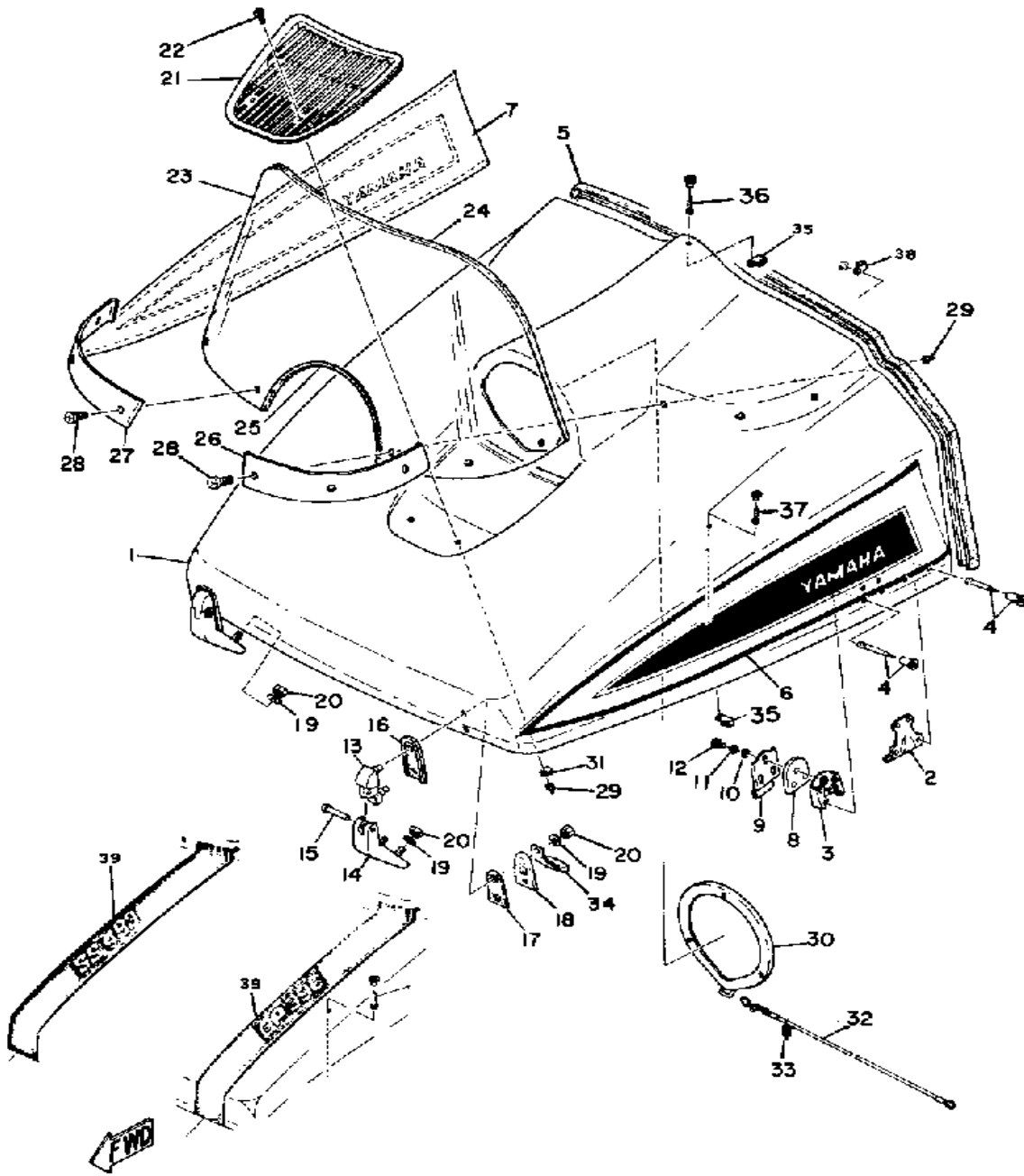
# FRAME



Ref. No.	Part Number	Description	Qty	Remarks
1	(818-21910-00-00)	FRAME .....	1	
3	(813-77173-00-00)	LEVER, LATCH 1 .....	2	
4	90508-10012-00	. SPRING, TORSION .....	2	
5	90249-04068-00	. PIN, SPECL SHAPE .....	2	
6	97313-05016-00	BOLT, HEXAGON .....	4	
7	92990-05100-00	WASHER, SPRING .....	4	
8	90201-05029-00	WASHER, PLATE .....	4	
9	(806-27413-00-00)	COVER, FOOTREST .....	1	
10	(806-27423-00-00)	COVER, FOOTREST .....	1	
11	(802-77595-02-00)	FLAP .....	1	
12	(802-77593-00-00)	PLATE, FLAP 1 .....	2	
13	97313-06016-00	BOLT, HEXAGON .....	4	
14	92995-06100-00	WASHER, SPRING .....	4	
15	(802-77592-00-00)	BRACKET, HITCH 2 .....	1	
16	97313-06040-00	BOLT, HEXAGON .....	2	
17	92995-06100-00	WASHER, SPRING .....	2	
18	802-77591-00-00	BRACKET, HITCH 1 .....	1	
19	(91701-08102-00)	PIN, CLEVIS .....	1	
20	92990-08200-00	WASHER, PLAIN .....	1	
21	91401-25020-00	PIN, COTTER .....	1	
22	(818-77354-00-00)	EMBLEM 4 .....	2	
-1	813-77170-00-00	LATCH ASSEMBLY .....	2	

Property of [www.SmallEngineDiscount.com](http://www.SmallEngineDiscount.com) - Not for Resale

# SHROUD

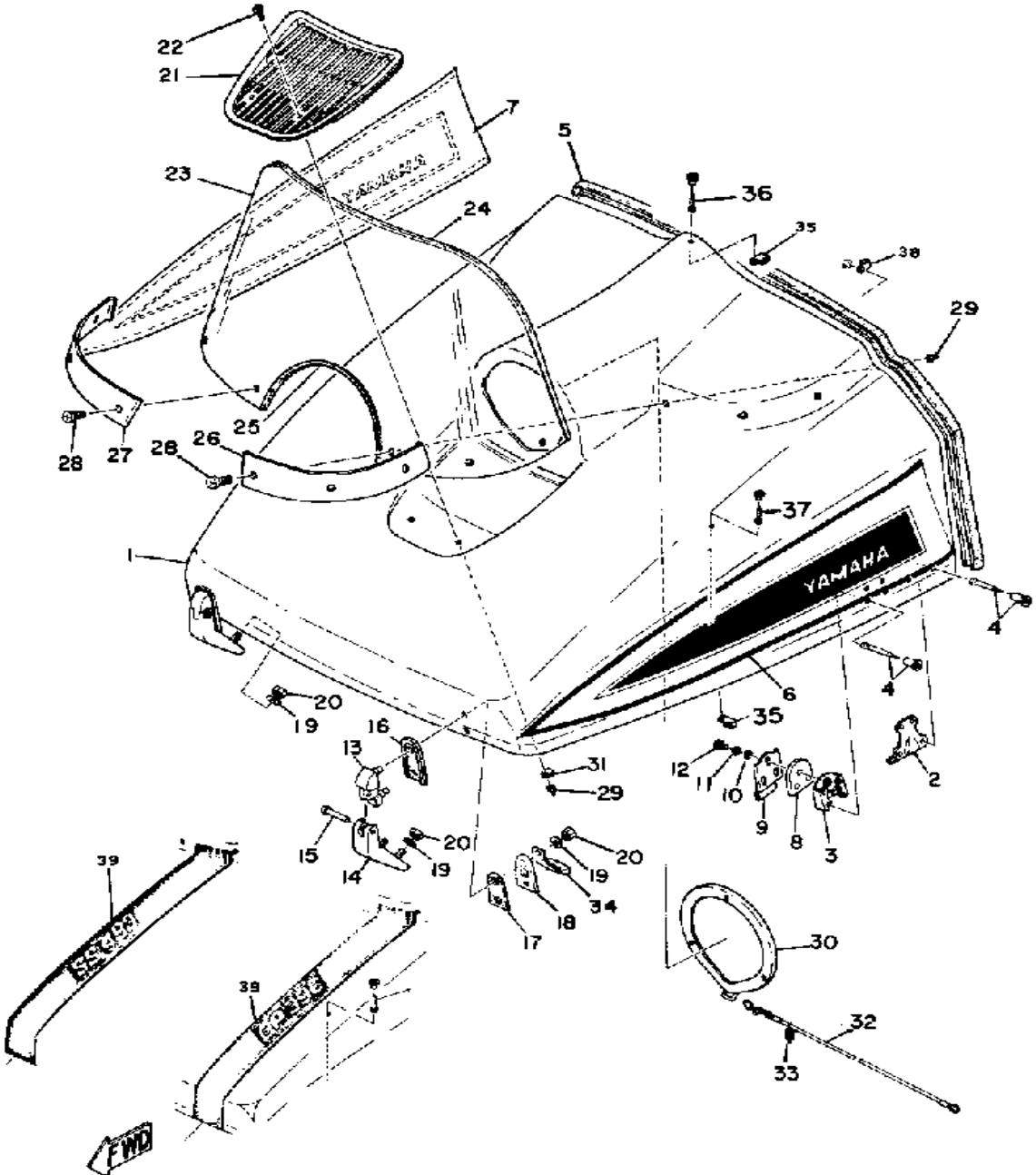


Ref. No.	Part Number	Description	Qty	Remarks
1	(806-77111-00-00)	SHROUD	1	
2	806-77171-00-00	BODY, LATCH 1	2	
3	810-77138-00-00	CLAMP 4	2	
4	90267-40026-00	RIVET, BLIND (806-77175-00)	16	
5	(806-77166-00-00)	TRIM 2	1	
6	810-77163-00-00	ORNAMENT 1	1	
7	810-77164-00-00	ORNAMENT 2	1	
8	810-77179-00-00	WASHER 2	2	
9	810-77136-00-00	CLAMP 2	2	
10	90201-05029-00	WASHER, PLATE	6	
11	92990-05100-00	WASHER, SPRING	6	
12	97313-05010-00	BOLT, HEXAGON	6	
13	(806-77145-00-00)	HINGE 1	2	
14	806-77147-00-00	HINGE 3	2	
15	90243-05002-00	PIN (806-77157-00)	2	
16	(806-77198-00-00)	DAMPER 1	2	
17	810-77199-00-00	DAMPER 2	2	
18	810-77153-00-00	PLATE, BACK UP 1	2	
19	92995-06100-00	WASHER, SPRING	8	
20	95380-06600-00	NUT	8	
21	(810-77130-00-00)	LOUVER CMLPT	1	
22	98906-05016-00	SCREW, BIND	2	
23	(806-77210-00-00)	WINDSHIELD	1	
25	(806-77216-00-00)	TRIM 4	1	
26	(806-77214-00-00)	TRIM, LOWER	1	
27	806-77215-00-00	TRIM 3	1	
28	98901-05016-00	SCREW, BIND (98903-05016-00)	6	
29	90180-05004-00	NUT, T (802-77217-00)	8	
30	(810-77139-00-00)	HOLDER, ROD 1	1	

CONTINUED ON NEXT FRAME ➤

Property of [www.SmallEngineDiscount.com](http://www.SmallEngineDiscount.com) - Not for Resale

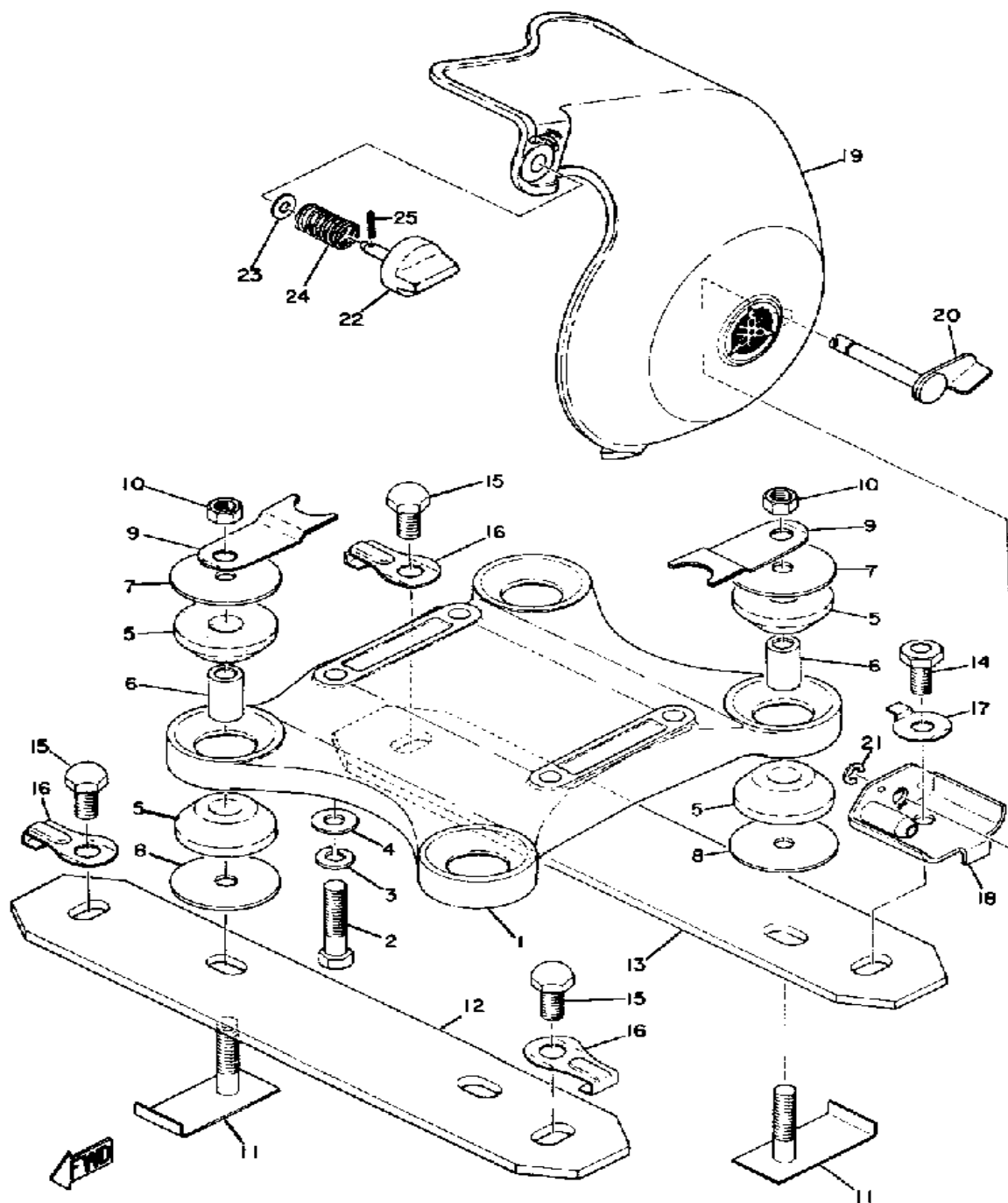
# SHROUD



Ref. No.	Part Number	Description	Qty	Remarks
31	(810-77135-00-00)	CLAMP 1 .....	1	
32	(810-77118-00-00)	STOPPER, SHROUD .....	1	
33	(807-77159-00-00)	CLAMP, ROD .....	1	
34	90465-06013-00	CLAMP .....	1	
35	(90461-05001-00)	CLAMP .....	2	
36	90267-32070-00	RIVET, BLIND .....	1	
37	(90267-32020-00)	RIVET, BLIND .....	1	
38	90461-05003-00	CLAMP .....	1	
39	(818-77169-00-00)	ORNAMENT 3 .....	1	

Property of [www.SmallEngineDiscount.com](http://www.SmallEngineDiscount.com) - Not for Resale

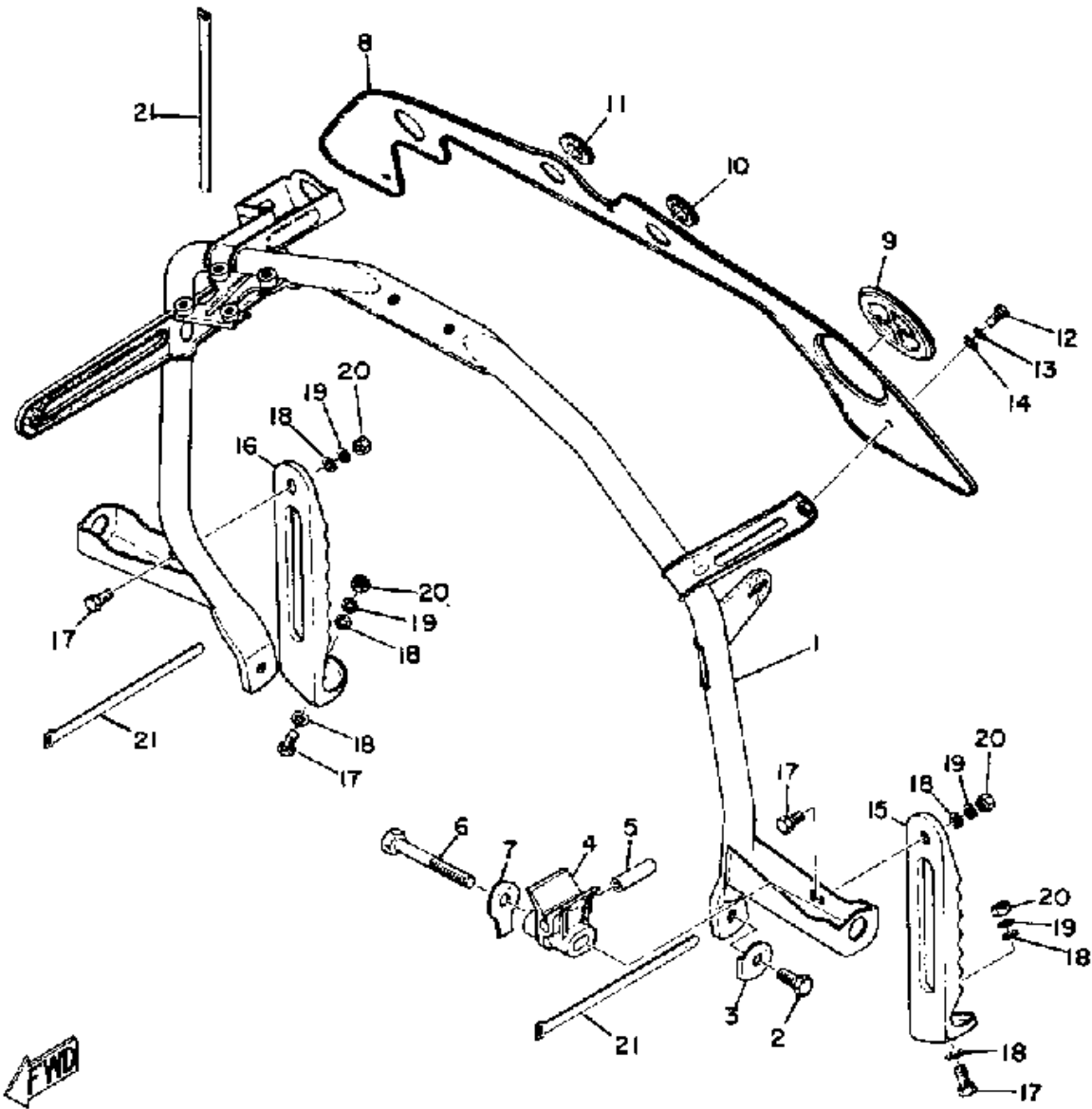
# ENGINE BRACKET



Ref. No.	Part Number	Description	Qty	Remarks
1	(807-21411-00-00)	BRACKET, ENGINE 1	1	
2	97313-10050-00	BOLT, HEXAGON (676)	4	
3	92990-10100-00	WASHER, SPRING	4	
4	92990-10200-00	WASHER, PLAIN	4	
5	807-15316-00-00	DAMPER, ENG MOUNT 1	8	
6	90560-10020-00	SPACER	4	
7	(807-21491-00-00)	WASHER, LOCK	4	
8	90201-10152-00	WASHER, PLATE (807-21492-00)	4	
9	(90215-10074-00)	WASHER, LOCK	4	
10	95303-10700-00	NUT	4	
11	(807-21482-00-00)	BOLT, ENG MNTNG 2	4	
12	(806-21419-00-00)	BRACKET, ENGINE 2	1	
13	(810-21429-00-00)	BRACKET, ENGINE 3	1	
14	90101-10055-00	BOLT	1	
15	97011-10020-00	BOLT	3	
16	(810-21492-00-00)	WASHER, LOCK	3	
17	90215-10073-00	WASHER, LOCK	1	
18	(806-77315-01-00)	BRACKET 1	1	
19	(810-77311-01-00)	GUARD, DRIVE	1	
20	806-77314-00-00	ARM, FITTING	1	
21	99009-06600-00	CIRCLIP	1	
22	(806-77324-00-00)	KNOB	1	
23	90201-06063-00	WASHER, PLATE	1	
24	90501-16103-00	SPRING, COMPRESSION	1	
25	91690-25016-00	PIN, SPRING	1	

Property of [www.SmallEngineDiscount.com](http://www.SmallEngineDiscount.com) - Not for Resale

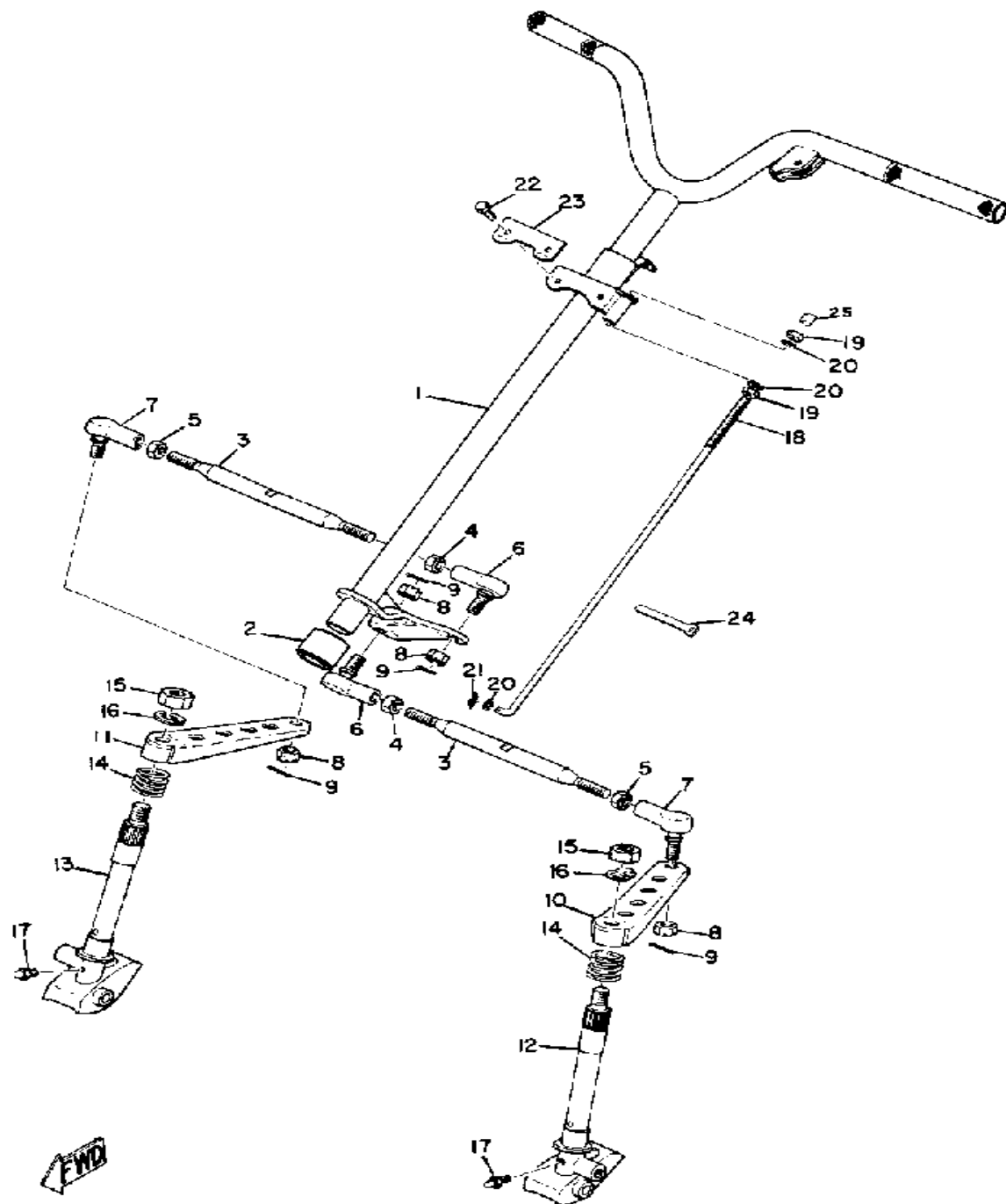
# STEERING GATE



Ref. No.	Part Number	Description	Qty	Remarks
1	810-23871-00-00	GATE, STEERING .....	1	
2	97026-08018-00	BOLT .....	2	
3	(861-23895-00-00)	WASHER, LOCK 2 .....	2	
4	(90464-09005-00)	CLAMP .....	2	
5	(810-77188-00-00)	STOPPER .....	2	
6	(97306-08065-00)	BOLT, HEXAGON .....	2	
7	(90215-08039-00)	WASHER, LOCK .....	2	
8	(810-77711-00-00)	PANEL, INSTRUMENT .....	1	
9	810-77715-00-00	ORMNT, INSTR PNL 1 .....	1	
10	810-77716-00-00	ORNAMENT, INSTRUMENT PANEL 2 .....	1	
11	(102-82598-00-00)	GROMMET .....	1	
12	97006-05010-00	BOLT (97206-05010) .....	3	
13	92906-05100-00	WASHER, SPRING .....	3	
14	92906-05200-00	WASHER, PLAIN .....	3	
15	810-27411-00-00	NO LONGER AVAILABLE .....	1	
16	(810-27421-00-00)	FOOTREST 2 .....	1	
17	97013-06012-00	BOLT .....	4	
18	92990-06200-00	WASHER .....	6	
19	92995-06100-00	WASHER, SPRING .....	4	
20	95380-06600-00	NUT .....	4	
21	437-83936-11-00	BAND, SWITCH CORD .....	3	

Property of [www.SmallEngineDiscount.com](http://www.SmallEngineDiscount.com) - Not for Resale

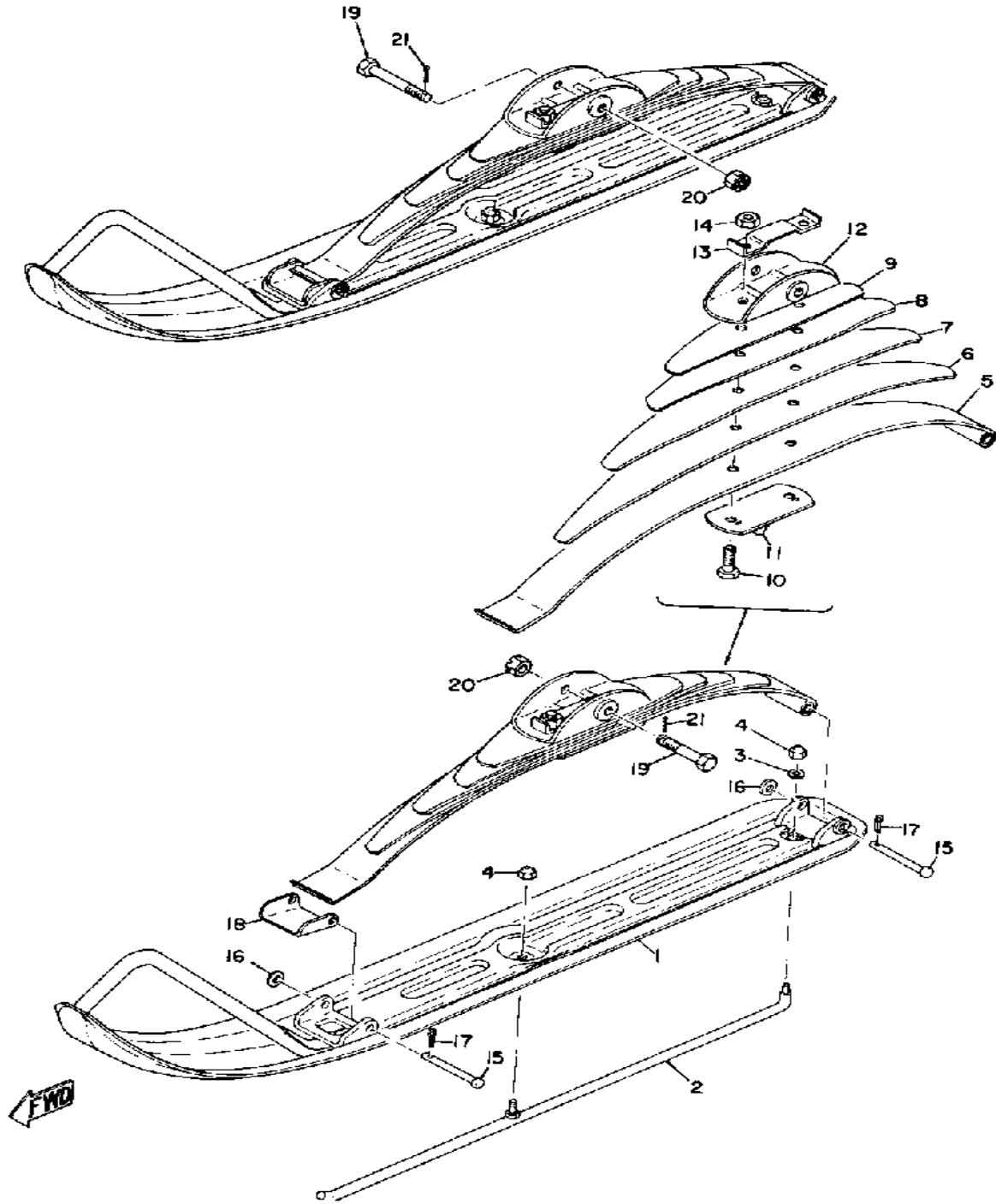
# STEERING



Ref. No.	Part Number	Description	Qty	Remarks
1	813-23811-00-00	COLUMN, STEERING	1	
2	(806-23875-00-00)	BEARING, STRG LOWER	1	
3	810-23821-01-00	ROD, STEERING RELAY	2	
4	90170-10082-00	NUT, HEXAGON (802-23833-00)	2	
5	(90170-10135-00)	NUT, HEXAGON	2	
6	(806-23841-91-00)	JOINT, UNIVERSAL 1	2	
7	806-23845-00-00	JOINT, UNIVERSAL 2	2	
8	90171-10002-00	NUT, CASTLE	4	
9	91401-25030-00	PIN, COTTER	4	
10	(810-23851-00-00)	ARM, OUTSIDE 1	1	
11	(810-23851-00-00)	ARM, OUTSIDE 1	1	
12	818-23853-00-00	COLUMN, SKI 1	1	
13	818-23854-00-00	COLUMN, SKI 2	1	
14	90501-35154-00	SPRING, COMPRESSION	2	
15	95306-12600-00	NUT	2	
16	90215-12031-00	WASHER, LOCK (810-23857-00)	2	
17	93700-06M03-00	NIPPLE, GREASE	2	
18	813-23861-00-00	BAR, TENSION	1	
19	95380-06700-00	NUT	2	
20	92906-06200-00	WASHER	3	
21	90468-10050-00	CLIP	1	
22	97016-06016-00	BOLT	2	
23	810-23894-00-00	NO LONGER AVAILABLE	1	
24	J45-83936-00-00	BAND, SWITCH CORD	3	
25	(818-23862-00-00)	CAP, TENSION BAR	1	

Property of [www.SmallEngineDiscount.com](http://www.SmallEngineDiscount.com) - Not for Resale

# SKI

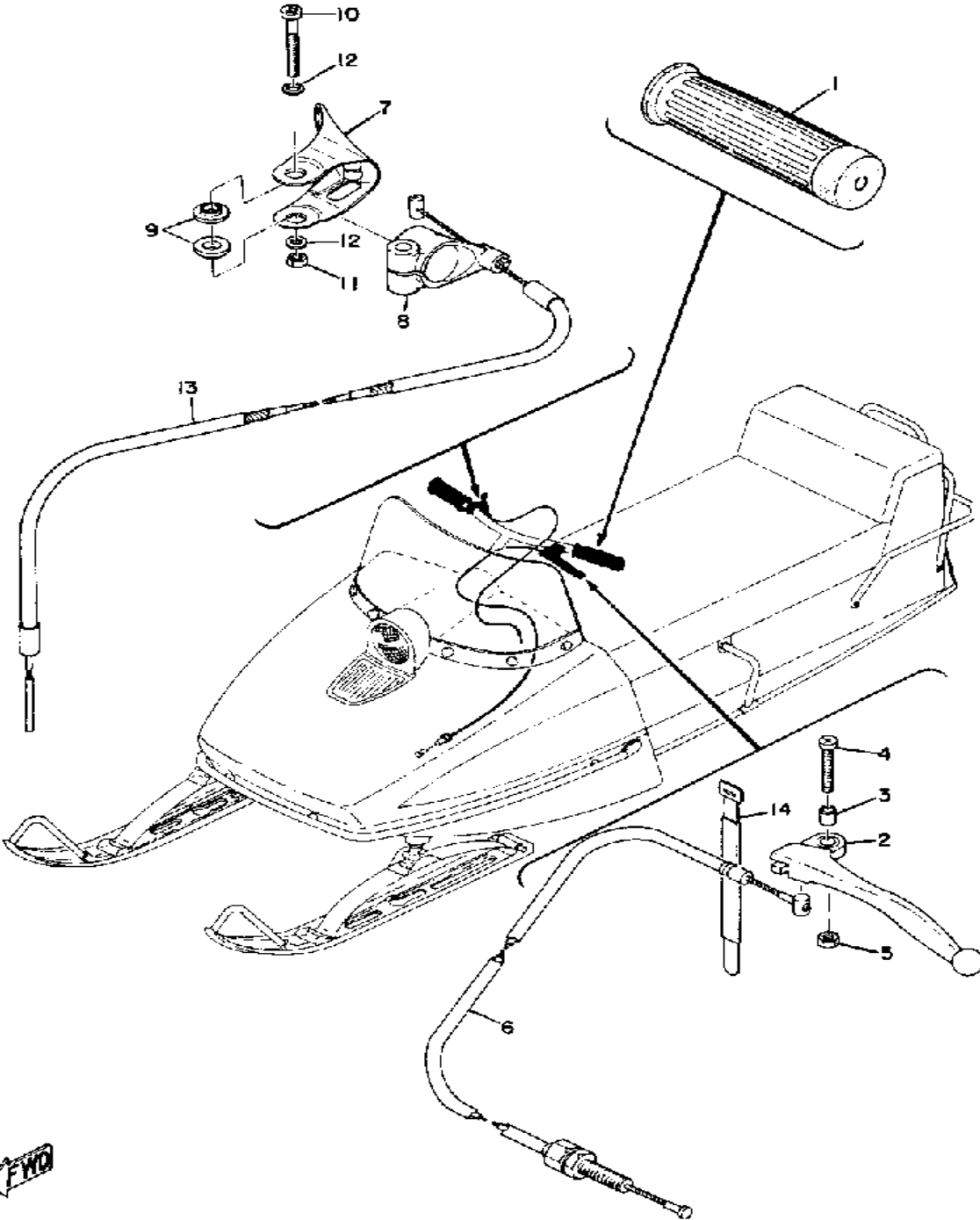


Ref. No.	Part Number	Description	Qty	Remarks
1	(838-23710-01-00)	SKI 1	2	
2	838-23731-03-00	RUNNER 1	2	
3	90201-06643-00	WASHER, PLATE	2	
4	95701-06300-00	NUT, NYLON	4	
5	(810-23761-00-00)	LEAF 1	2	
6	(810-23762-00-00)	LEAF 2	2	
7	(810-23763-00-00)	LEAF 3	2	
8	(810-23764-00-00)	LEAF 4	2	
9	(810-23771-00-00)	LEAF 5	2	
10	90109-105E7-00	. BOLT	4	
11	802-23768-00-00	. SEAT, SPRING 1	2	
12	806-23766-00-00	. SADDLE 1	2	
13	90209-10069-00	. WASHER, SPEC'L SHAP	2	
14	95336-10600-00	. NUT	4	
15	90240-08035-00	PIN, CLEVIS (801-23733-00)	4	
16	92906-08200-00	WASHER	4	
17	91401-30020-00	PIN, COTTER	4	
18	802-23735-00-00	PLATE, WEAR 1	2	
19	90102-10023-00	BOLT, WITH HOLE	2	
20	95306-10900-00	NUT, SLOTTED	2	
21	91490-20025-00	PIN, SPLIT	2	
-1	(810-23760-00-00)	SPRING ASSEMBLY 1	1	
-2	(810-23770-00-00)	SPRING ASSEMBLY 2	1	

Property of [www.SmallEngineDiscount.com](http://www.SmallEngineDiscount.com) - Not for Resale



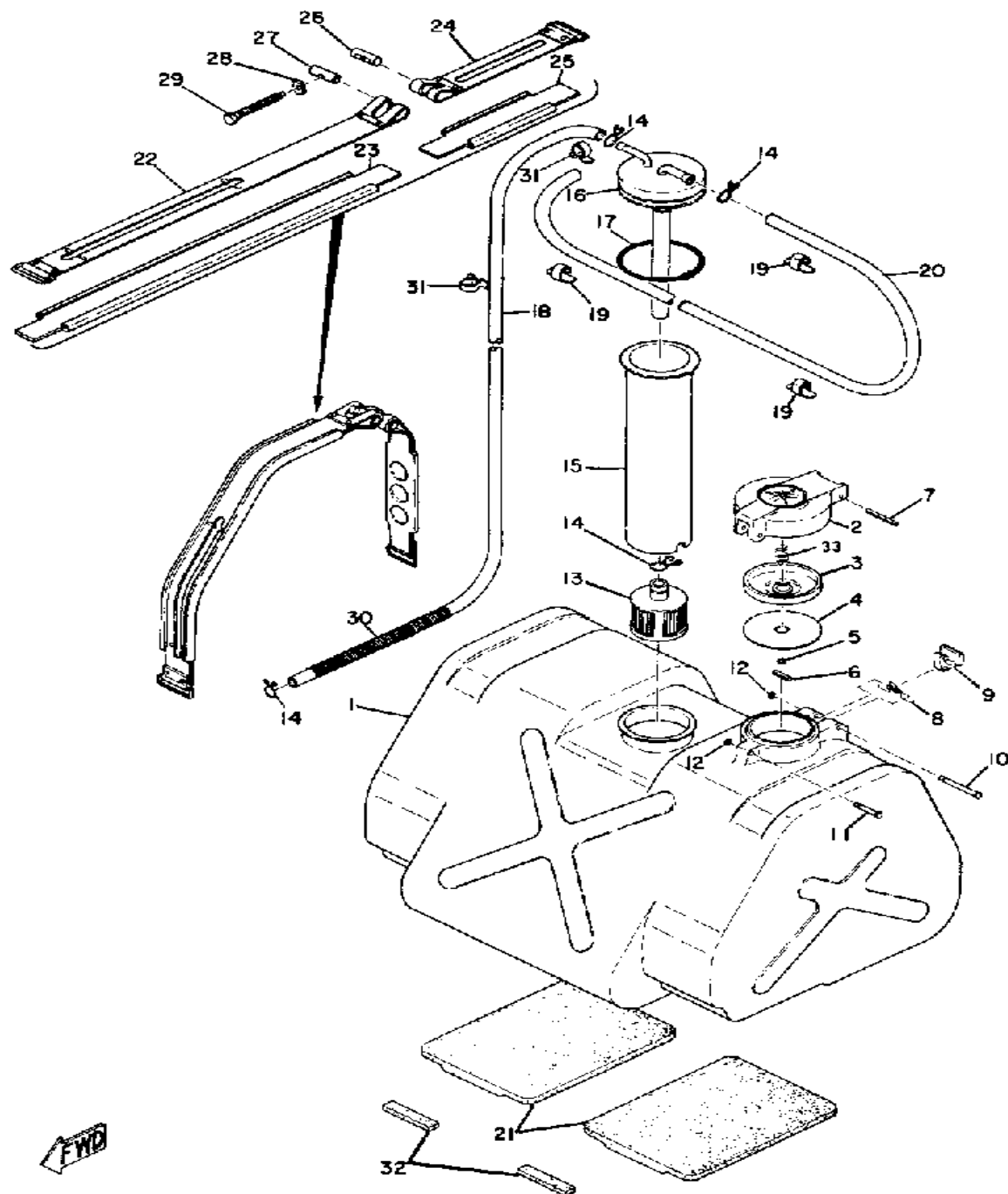
# GRIP & WIRING



Ref. No.	Part Number	Description	Qty	Remarks
1	801-26241-01-00	GRIP .....	2	
2	803-83912-00-38	LEVER 1 .....	1	
3	802-83913-00-00	COLLAR, LEVER 1 .....	1	
4	98501-05018-00	SCREW, PAN HEAD .....	1	
5	95311-05700-00	NUT .....	1	
6	810-26340-00-00	CABLE, BRAKE .....	1	
7	8G8-42138-00-00	. LEVER, THROTTLE .....	1	
	90387-06681-00	. COLLAR .....	2	
	98580-06550-00	. SCREW PAN HEAD (92503-06050) .....	1	
	99999-01028-00	THROTTLE LEVER .....	1	
8	810-82821-00-00	HOLDER, LEVER 2 .....	1	
9	90387-062M9-00	COLLAR .....	2	
10	90157-06004-00	SCREW, PAN HEAD (810-83925-00) .....	1	
11	95380-06700-00	NUT .....	1	
12	92990-06200-00	WASHER .....	2	
13	810-26311-00-00	CABLE, THROTTLE 1 .....	1	
14	437-83936-01-00	BAND, SWITCH CORD .....	1	

Property of [www.SmallEngineDiscount.com](http://www.SmallEngineDiscount.com) - Not for Resale

# FUEL TANK



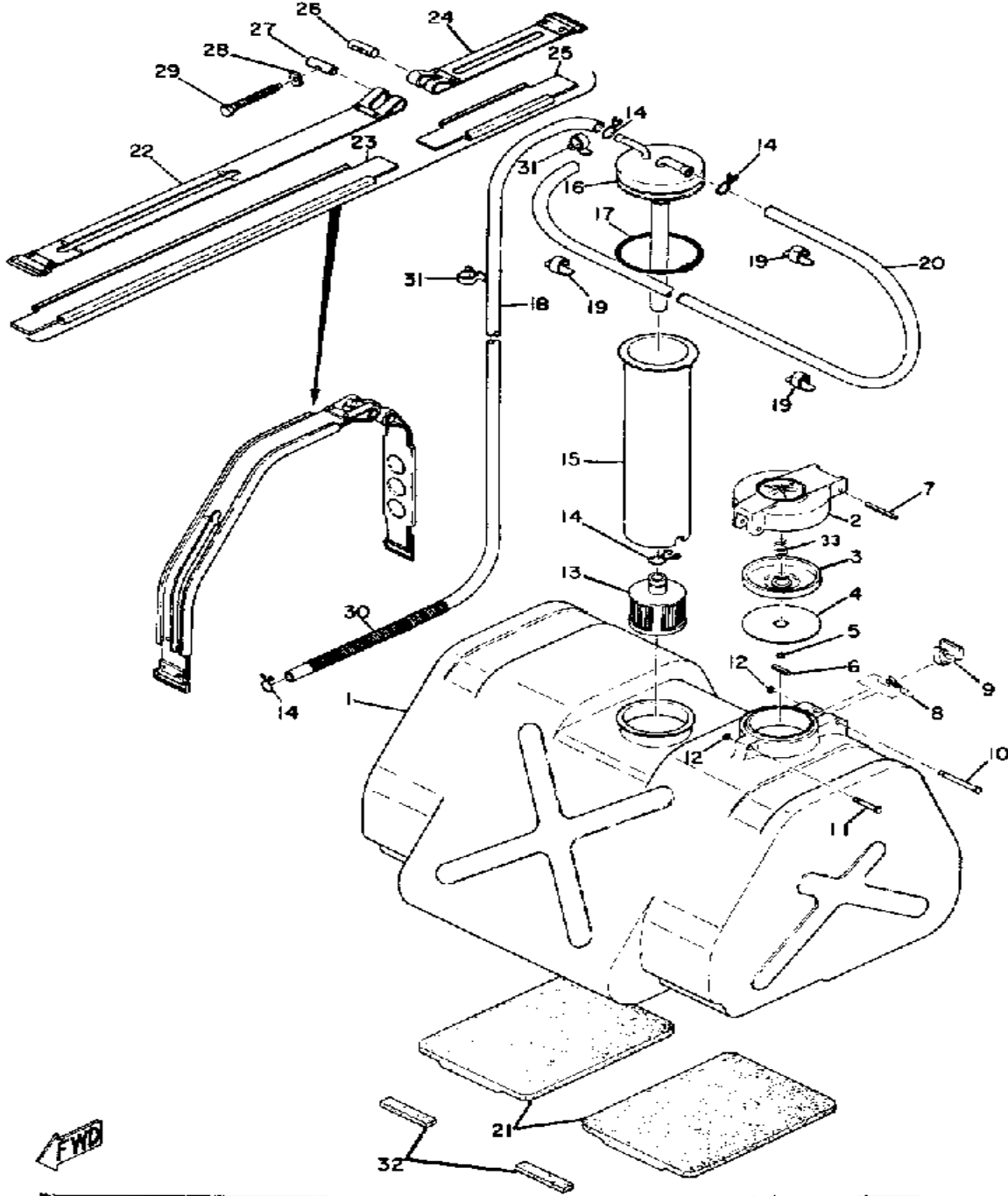
Ref. No.	Part Number	Description	Qty	Remarks
1	813-24111-00-00	FUEL TANK .....	1	
2	813-24611-01-00	BODY, CAP .....	1	
3	813-24613-01-00	DISC, CAP .....	1	
4	256-24612-00-00	GASKET, CAP .....	1	
5	93210-04122-00	O-RING .....	1	
6	91609-30016-00	PIN, SPRING .....	1	
7	91609-25032-00	PIN, SPRING .....	1	
8	90508-08003-00	SPRING, TORSION (813-24637-00) .....	1	
9	83M-24628-00-00	HOOK .....	1	
10	90249-03017-00	PIN .....	1	
11	90249-03016-00	PIN, SPEC'L SHAPE .....	1	
12	93430-02001-00	CIRCLIP .....	2	
13	(813-24560-01-00)	FILTER ASSEMBLY .....	1	
14	90467-11009-00	CLIP .....	4	
15	813-24336-00-00	PIPE, SUCTION 2 .....	1	
16	813-24335-00-00	PIPE, SUCTION 1 .....	1	
17	90506-06065-00	SPRING, TENSION .....	1	
18	90446-11040-00	HOSE .....	1	
19	(813-24366-00-00)	CLAMP, FUEL PIPE 1 .....	3	
20	90446-09013-00	HOSE (90446-09079) .....	1	
21	(813-24181-00-00)	DAMPER, LOCATING 1 .....	2	
22	(813-24173-00-00)	BAND, TNK FITTING 1 .....	2	
23	(813-24183-00-00)	DAMPER, LOCATING 3 .....	2	
24	(813-24199-00-00)	BAND, TNK FITTING 2 .....	2	
25	(813-24184-00-00)	DAMPER, LOCATING 4 .....	2	
26	90179-05030-00	NUT, SPEC'L SHAPE (806-24146-00) .....	2	
27	806-24135-00-00	CLAMP 1 .....	2	

CONTINUED ON NEXT FRAME ►

Property of [www.SmallEngineDiscount.com](http://www.SmallEngineDiscount.com) - Not for Resale

C10

# FUEL TANK

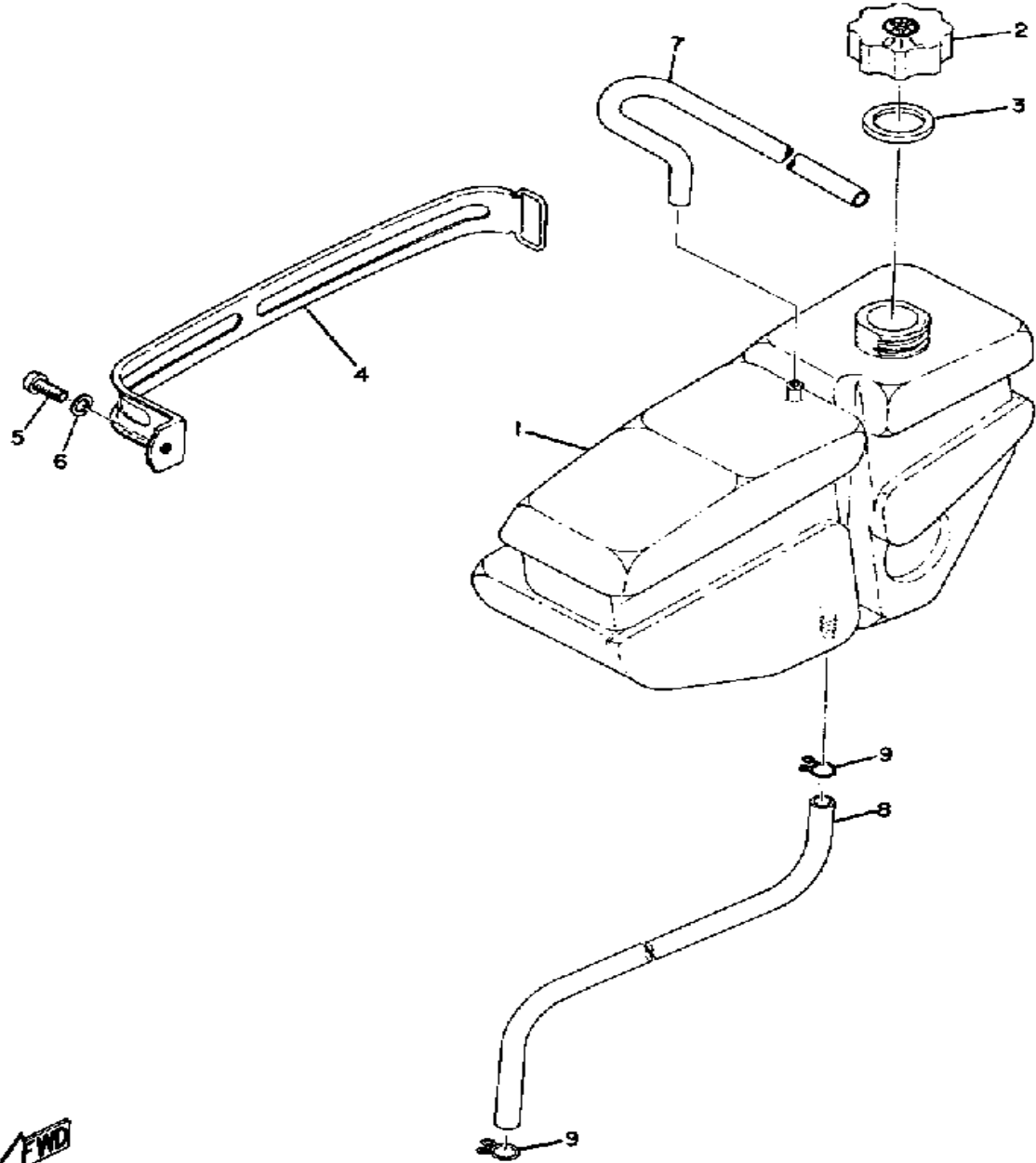


Ref. No.	Part Number	Description	Qty	Remarks
28	(90215-05058-00)	WASHER, LOCK .....	2	
29	(90153-05002-00)	SCREW, HEXAGON .....	2	
30	806-24328-00-00	PROTECTOR, PIPE .....	1	
31	(90463-07002-00)	CLAMP .....	2	
32	(813-24193-00-00)	SEAT, TNK PROTECTOR .....	2	
33	90501-20130-00	SPRING, COMPRESSION .....	1	

12. FUEL TANK CAPACITY & FUEL GRADE 4 Gal. Premium

Property of [www.SmallEngineDiscount.com](http://www.SmallEngineDiscount.com) - Not for Resale

# OIL TANK

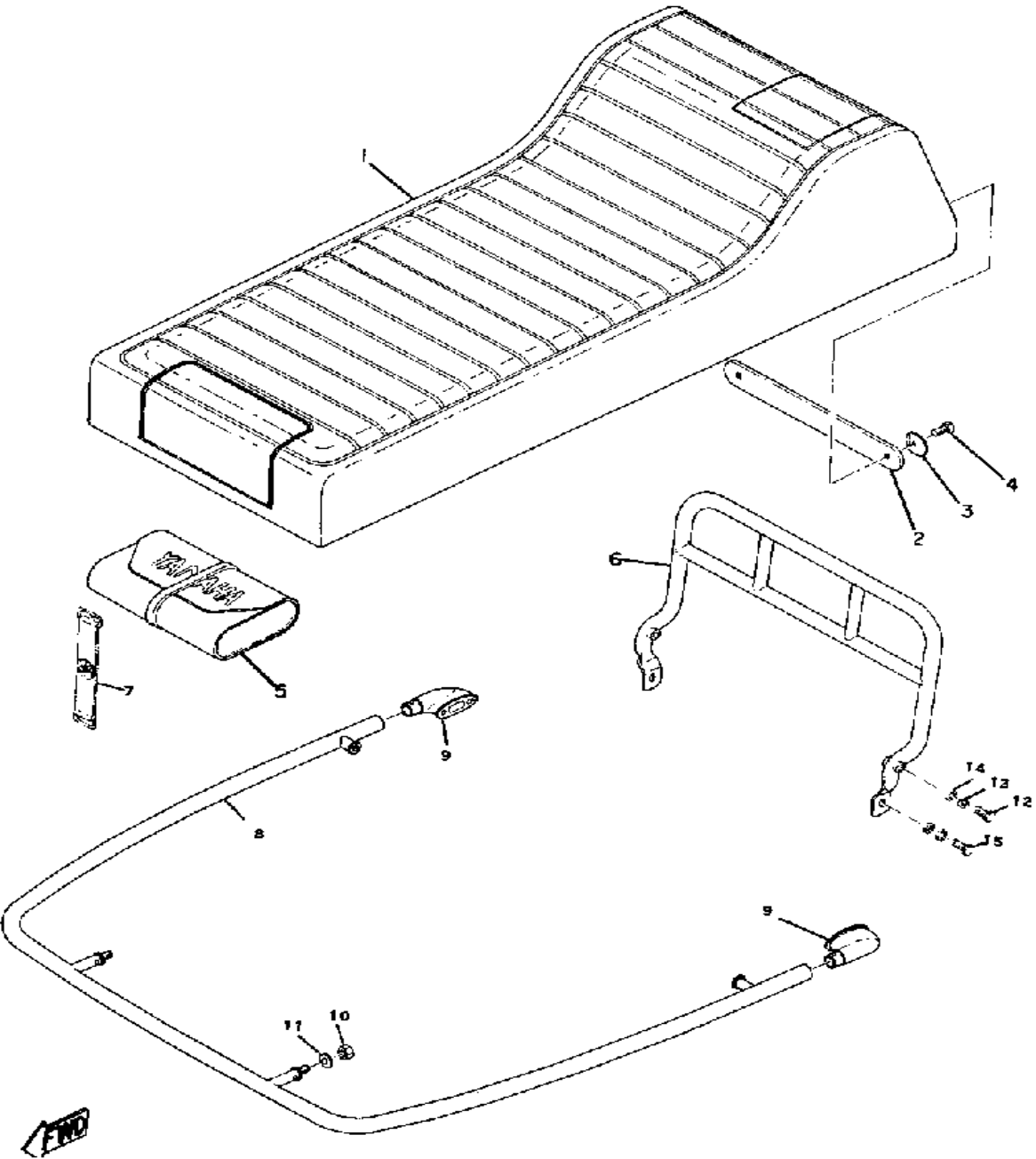


Ref. No.	Part Number	Description	Qty	Remarks
1	(810-21751-00-00)	TANK, OIL .....	1	
2	296-21771-62-00	BODY, CAP .....	1	
3	296-21772-00-00	GASKET, CAP .....	1	
4	810-21776-00-00	BAND, TANK FITTING .....	1	
5	98580-05012-00	SCREW, PAN HEAD .....	1	
6	92990-05200-00	WASHER, PLAIN .....	1	
7	(810-21745-00-00)	PIPE, OIL TNK BRTHR .....	1	
8	90446-09014-00	HOSE .....	1	
9	810-24356-00-00	CLIP, PIPE 1 .....	2	
	90467-09005-00	CLIP, SCISSOR .....	2	

11. OIL TANK CAPACITY & OIL GRADE | 2.1 Qt., 2-Stroke, Air-cooled Oil

Property of [www.SmallEngineDiscount.com](http://www.SmallEngineDiscount.com) - Not for Resale

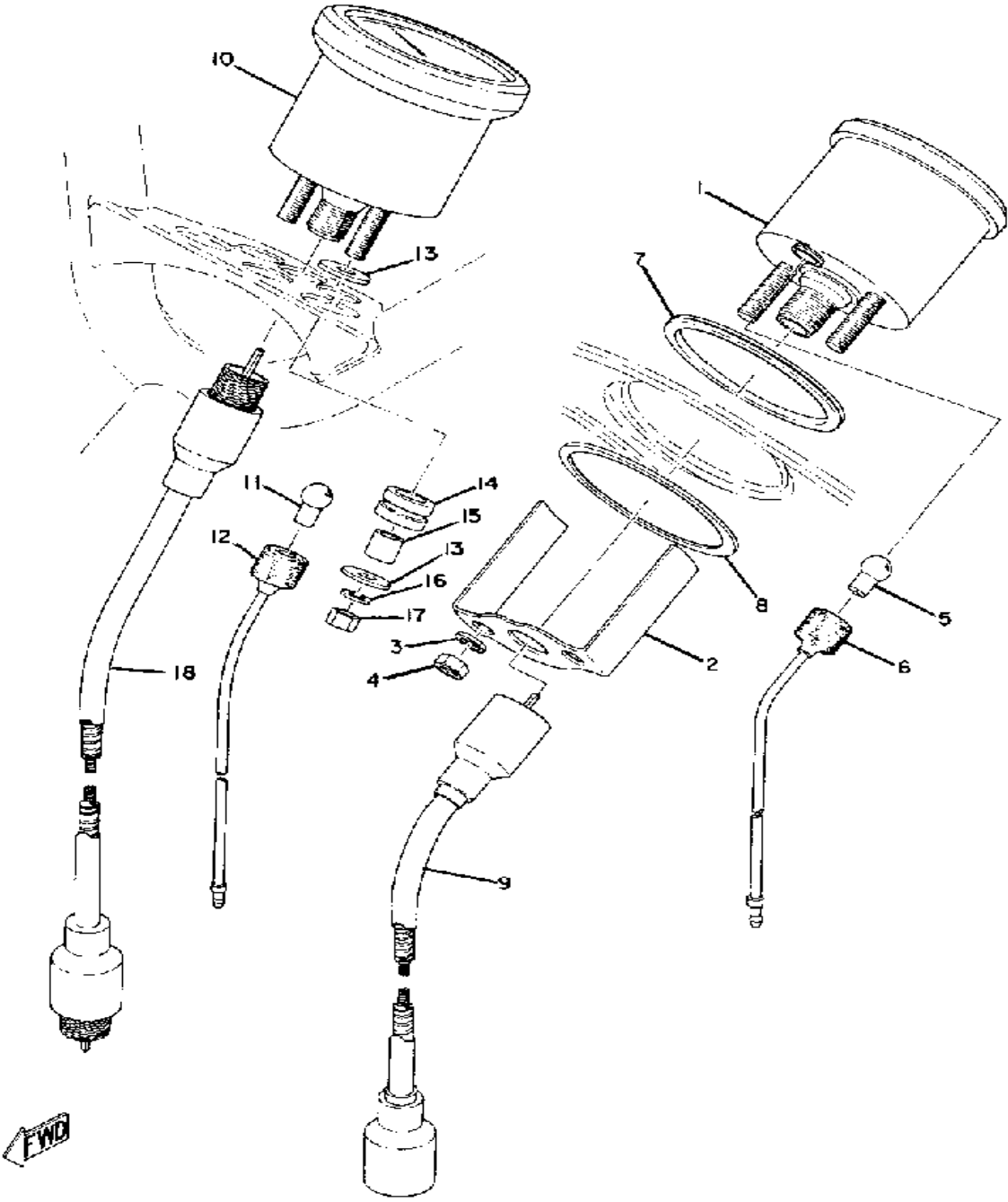
# SEAT & BUMPER



Ref. No.	Part Number	Description	Qty	Remarks
1	(813-24730-00-00)	DOUBLE SEAT ASSEMBLY ...	1	
2	(813-24746-00-00)	WASHER, SEAT .....	1	
3	(90215-07064-00)	WASHER, LOCK .....	2	
4	97313-06020-00	BOLT, HEXAGON .....	2	
5	(806-28100-00-00)	TOOL KIT .....	1	
6	(813-77541-00-00)	BUMPER, REAR 1 .....	1	
7	122-82131-00-00	BAND, BATTERY .....	1	
8	821-77510-00-00	FRONT BUMPER (806-77510-00)	1	
9	(806-77523-00-00)	END, BUMPER .....	2	
10	95333-08600-00	NUT .....	2	
11	92990-08100-00	WASHER .....	2	
12	97313-08045-00	BOLT .....	2	
13	92990-08100-00	WASHER .....	4	
14	92990-08200-00	WASHER, PLAIN .....	4	
15	97313-08018-00	BOLT, HEXAGON (97301-08016)	2	
1-1	(813-24731-00-00)	COVER, DOUBLE SEAT .....	1	

Property of [www.SmallEngineDiscount.com](http://www.SmallEngineDiscount.com) - Not for Resale

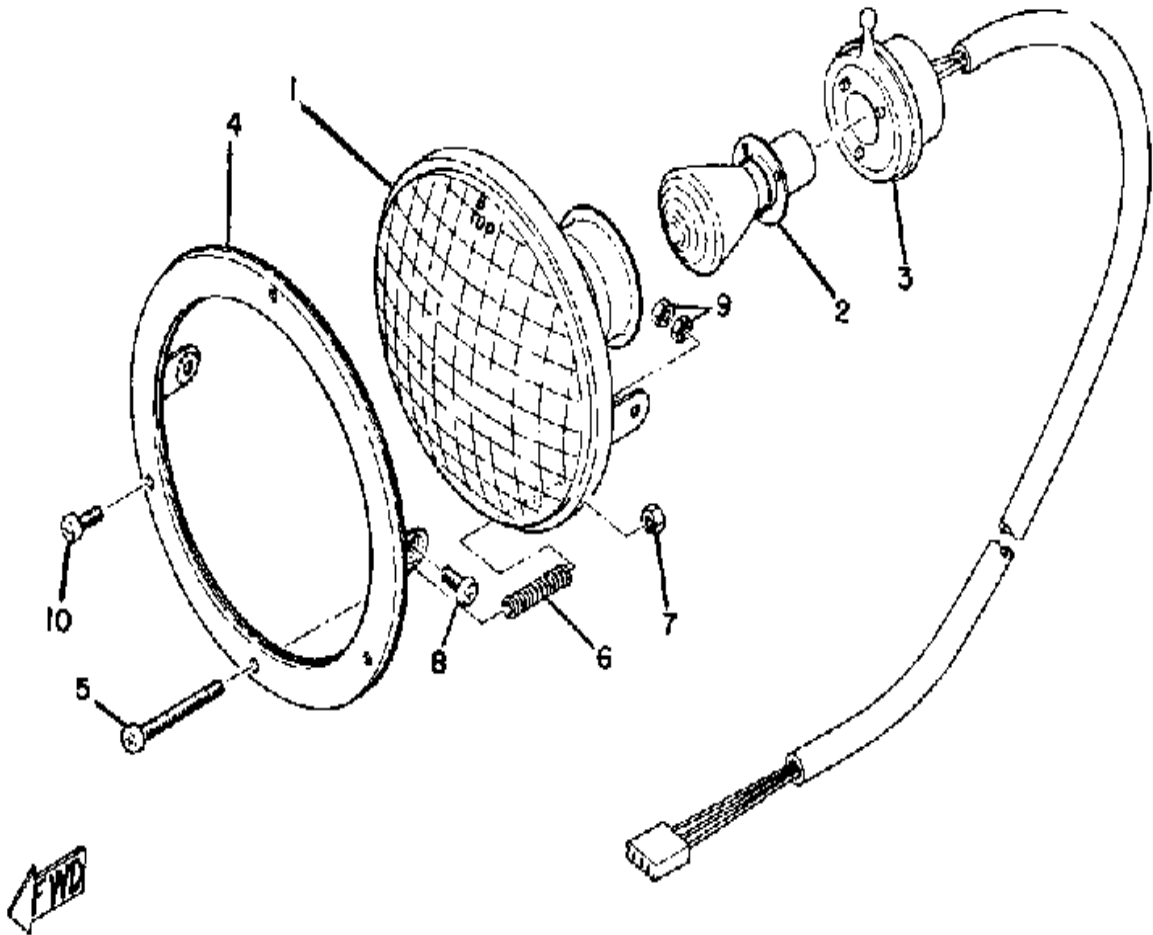
# SPEEDOMETER & TACHOMETER



Ref. No.	Part Number	Description	Qty	Remarks
1	(818-83510-40-00)	SPEEDOMETER ASSEMBLY ..	1	
2	(102-83514-00-00)	PLATE, FITTING .....	1	
3	92990-05100-00	. WASHER, SPRING .....	2	
4	95380-05600-00	. NUT .....	2	
5	256-84347-00-00	. BULB .....	1	
6	(809-83536-40-00)	SOCKET, METER .....	1	
7	(809-83513-00-00)	DAMPER .....	1	
8	(803-83577-00-00)	PLATE, FITTING .....	1	
9	813-83550-01-00	SPEEDOMETER CABLEASS'Y	1	
10	(813-83540-00-00)	TACHOMETER ASSEMBLY ...	1	
11	256-84347-00-00	. BULB .....	1	
12	(813-83536-00-00)	SOCKET, METER .....	1	
13	90201-05032-00	WASHER, PLATE .....	4	
14	(803-83523-00-00)	DAMPER .....	2	
15	90387-06761-00	COLLAR .....	2	
16	92990-05100-00	WASHER, SPRING .....	2	
17	95380-05600-00	NUT .....	2	
18	(813-83560-00-00)	TACHOMETER CABLE .....	1	

Property of [www.SmallEngineDiscount.com](http://www.SmallEngineDiscount.com) - Not for Resale

# HEAD LAMP

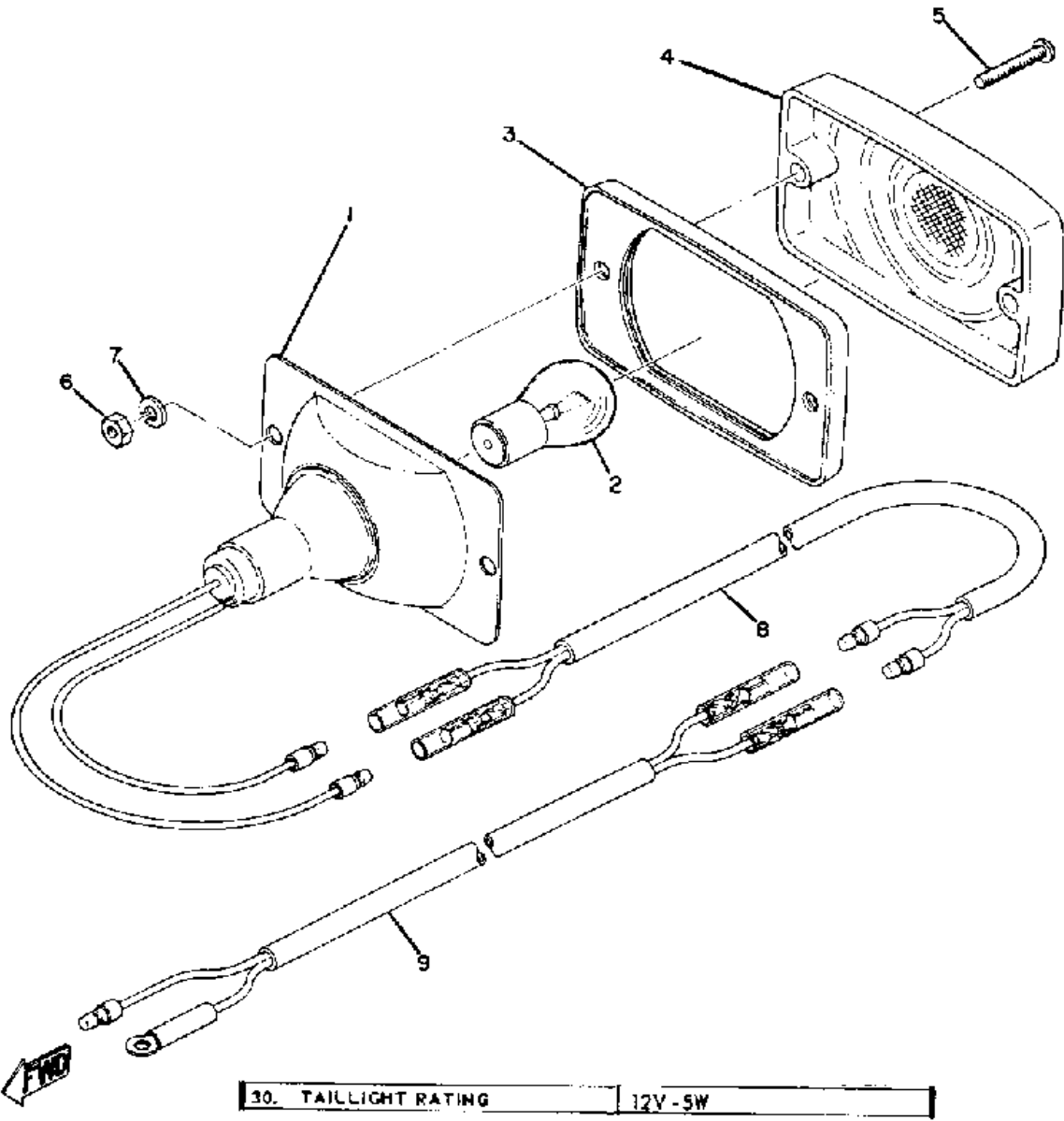


Ref. No.	Part Number	Description	Qty	Remarks
1	(806-84320-00-00)	LENS ASSEMBLY .....	1	
2	183-84314-60-00	. BULB, H.L.12V35/35W .....	1	
3	(818-84312-00-00)	SOCKET .....	1	
4	806-84315-00-00	. RIM, HEADLIGHT .....	1	
5	1M1-84524-60-00	. SCREW, LENS FITTING .....	1	
6	(207-84132-60-00)	SPRING, SCREW .....	1	
7	(207-84134-61-00)	NUT, ADJUST .....	1	
8	98580-04010-00	. SCREW, PAN HEAD .....	2	
9	95301-04700-00	. NUT (95302-04700) .....	4	
10	98503-04014-00	SCREW, PAN HEAD .....	3	
-1	(818-84310-00-00)	HEADLIGHT UNIT ASSEMBLY .	1	

29. HEADLIGHT RATING | 12V-35/35 W Hi-Lo Beam

Property of [www.SmallEngineDiscount.com](http://www.SmallEngineDiscount.com) - Not for Resale

# TAIL LAMP

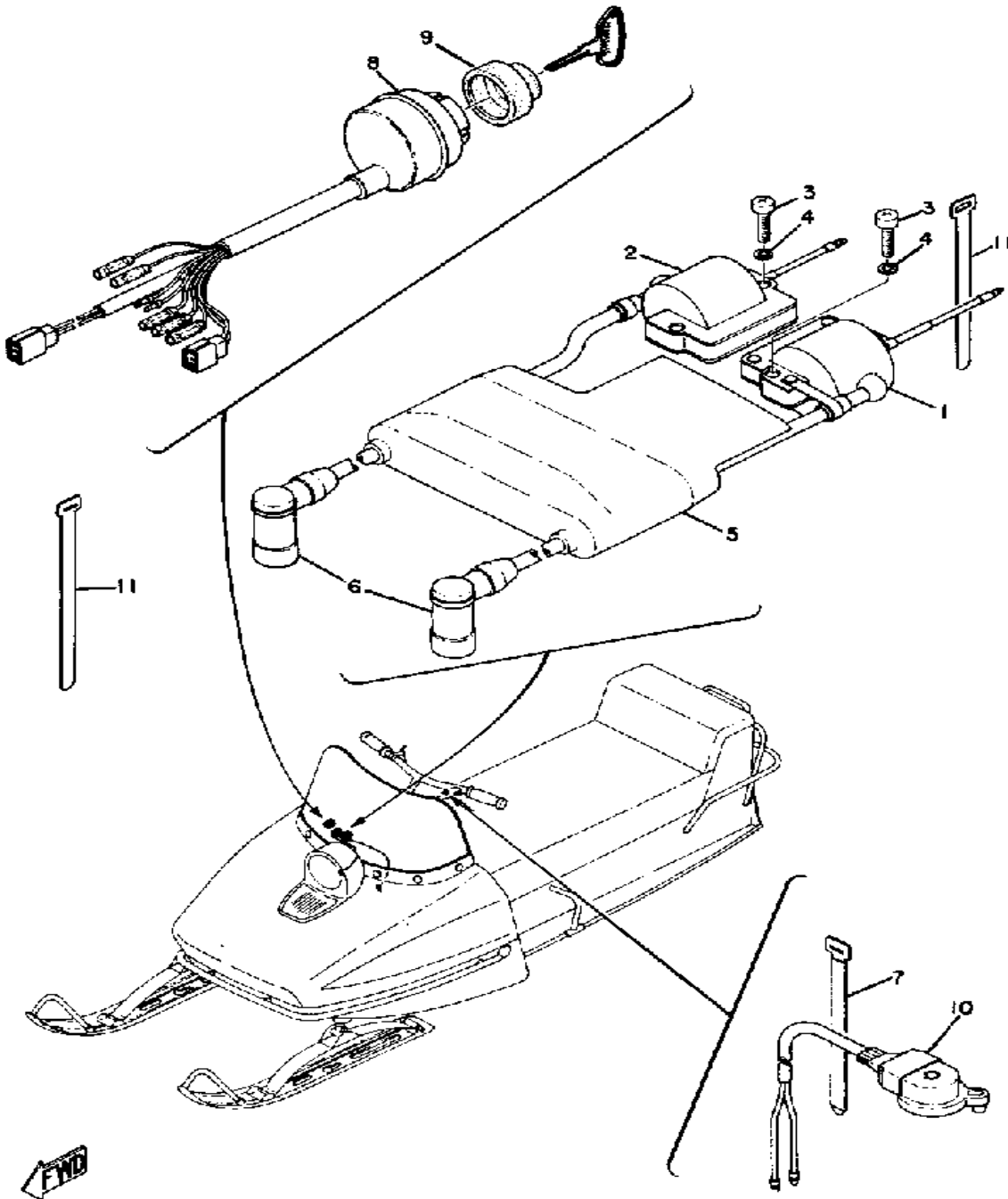


Ref. No.	Part Number	Description	Qty	Remarks
1	(809-84711-00-00)	BASE, TAILLIGHT	1	
2	809-84714-00-00	. BULB	1	
3	806-84712-00-00	. SEAT, BASE	1	
4	(806-84721-00-00)	LENS, TAILLIGHT	2	
5	806-84724-00-00	. SCREW, LENS FITTING	2	
6	95301-04600-00	NUT	2	
7	92901-04100-00	WASHER, SPRING	2	
8	(809-84717-00-00)	CORD, TAILLIGHT	1	
9	(809-84727-00-00)	CORD, TAILLIGHT	1	
-1	(809-84710-00-00)	TAILLIGHT UNIT ASSEMBLY	1	

Property of [www.SmallEngineDiscount.com](http://www.SmallEngineDiscount.com) - Not for Resale



# ELECTRICAL

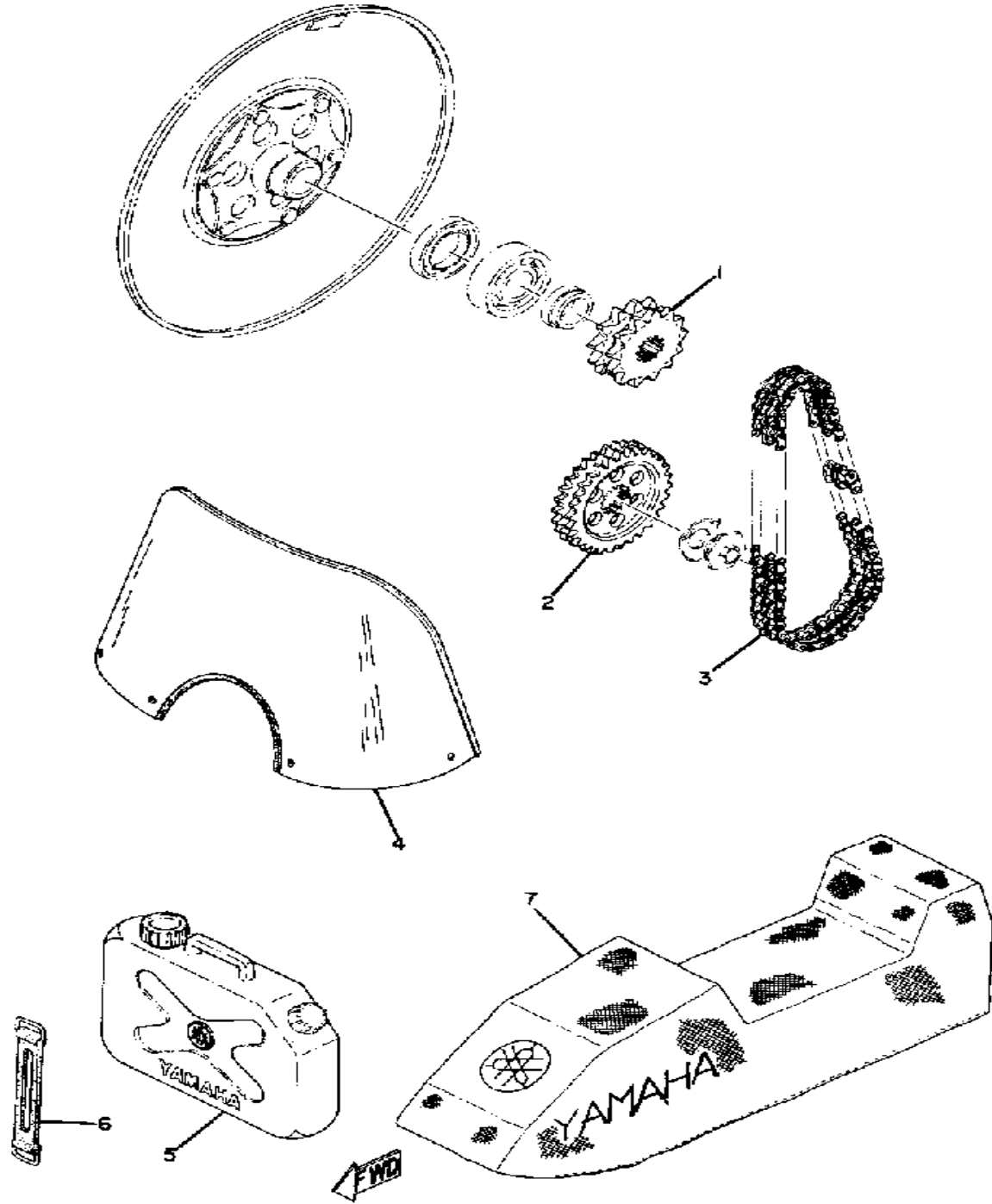


Ref. No.	Part Number	Description	Qty	Remarks
1	(810-82310-40-00)	IGNITION COIL ASSEMBLY ...	1	
2	(810-82320-41-00)	IGNITION COIL ASSEMBLY ...	1	
3	98516-06020-00	SCREW, PAN HEAD .....	4	
4	92906-06100-00	WASHER, SPRING .....	4	
5	(810-82314-00-00)	COVER, IGNITN COIL .....	1	
6	56J-82370-00-00	PLUG CAP ASSEMBLY .....	2	
7	437-83936-01-00	BAND, SWITCH CORD .....	1	
8	(810-82508-20-00)	MAIN SWITCH ASSEMBLY ...	1	
9	806-82516-00-00	COLLAR, MAIN SWITCH .....	1	
10	(806-82530-00-00)	STOP SWITCH ASSEMBLY ...	1	
11	437-83936-11-00	BAND, SWITCH CORD .....	3	

Property of [www.SmallEngineDiscount.com](http://www.SmallEngineDiscount.com) - Not for Resale

# ALTERNATE

Ref. No.	Part Number	Description	Qty	Remarks
1	(802-17682-01-00)	SPRKT, CHAIN DR 9T	1	
	(810-17682-50-00)	SPRKT, CHAIN DR 15T	1	
	802-17682-10-00	SPROCKET, CHAIN DRIVE (10T)	1	
	802-17682-20-00	SPROCKET, CHAIN DRIVE (11T)	1	
	806-17682-20-00	SPROCKET, CHAIN DRIVE (12T)	1	
	806-17682-40-00	SPROCKET, CHAIN DRIVE (14T)	1	
2	(802-47548-60-00)	SPROCKET, CHN DRVN	1	
	802-47548-50-00	SPROCKET, CHN DRVN	1	
3	(94804-25064-00)	CHAIN	1	
4	(816-77210-00-00)	HIGH WND SCRNS 5	1	
5	(806-24200-00-00)	FUEL TANK ASSEMBLY	1	
6	(806-24282-00-00)	BAND, TANK FITTING	1	



Property of [www.SmallEngineDiscount.com](http://www.SmallEngineDiscount.com) - Not for Resale