



YAMAHA

GENUINE

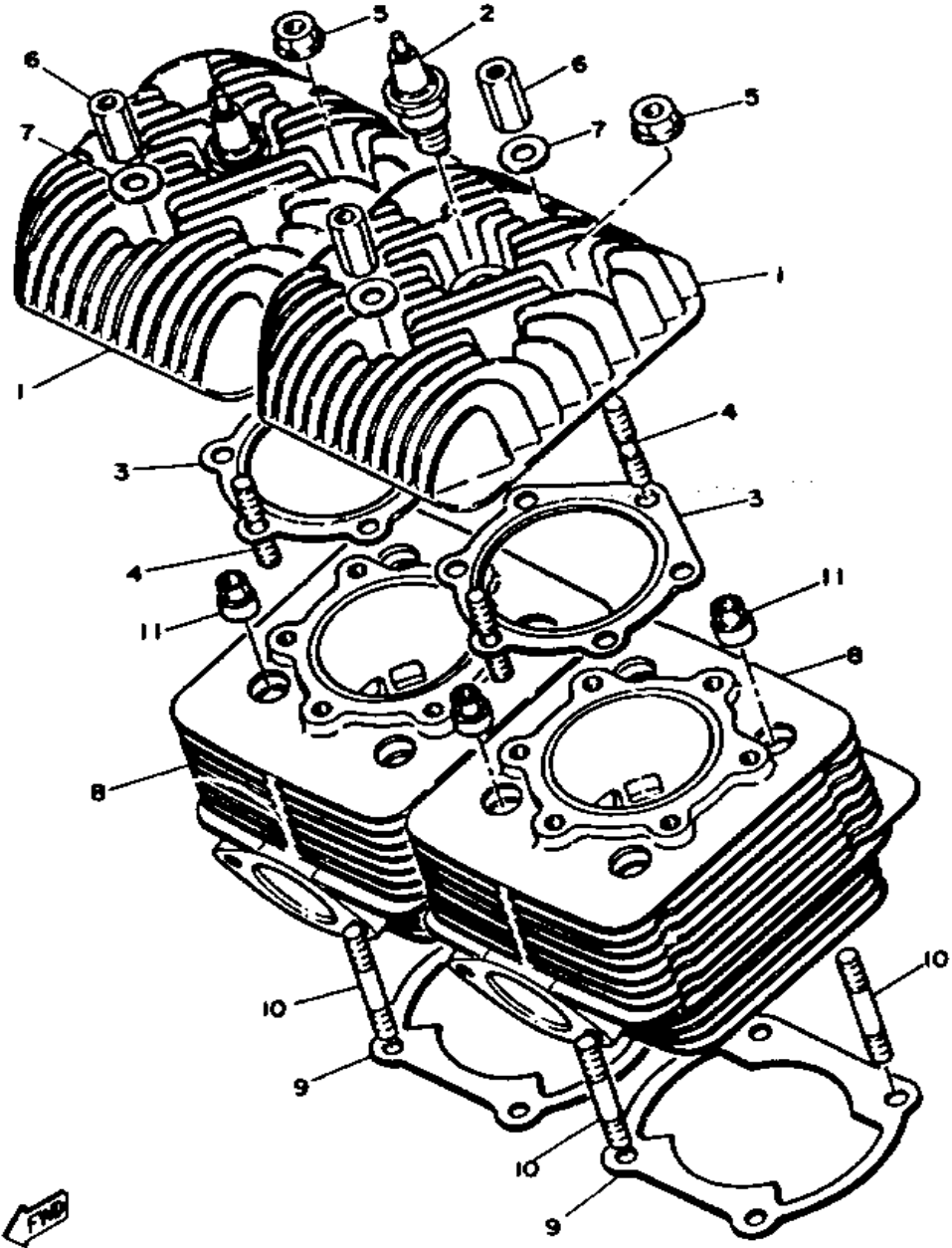
PARTS CATALOGUE

SNOWMOBILE

Not For Resale

www.SmallEngineDiscount.com

CYLINDER

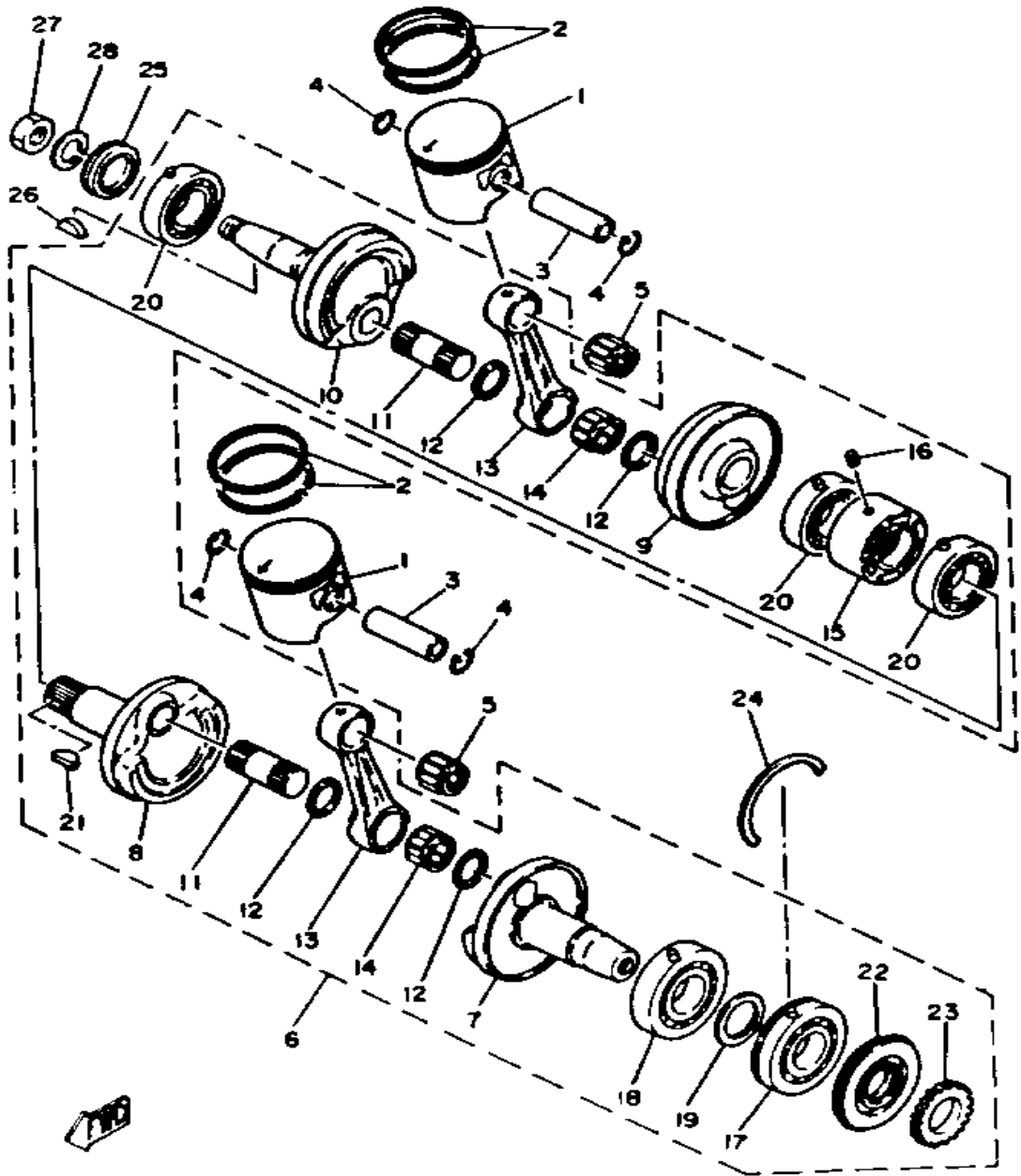


Ref. No.	Part Number	Description	Qty	Remarks
1	8K4-11111-00-00	HEAD, CYLINDER 1	2	
2	NGK-BR9ES-00-00	PLUG, SPARK	2	
3	8K4-11181-00-00	GASKET, CYLINDER HEAD 1 .	2	
4	90116-08104-00	BOLT, STUD	12	
5	95701-08500-00	NUT, FLANGE	8	
6	90179-08269-00	NUT	4	
7	90201-08100-00	WASHER, PLATE	4	
8	8K4-11311-00-00	CYLINDER 1	2	
9	8H8-11351-01-00	GASKET, cylinder (89N-11351-00)	2	
10	90116-08104-00	BOLT, STUD	8	
11	90179-08268-00	NUT	8	

Not For Resale

www.SmallEngineDiscount.com

CRANKSHAFT

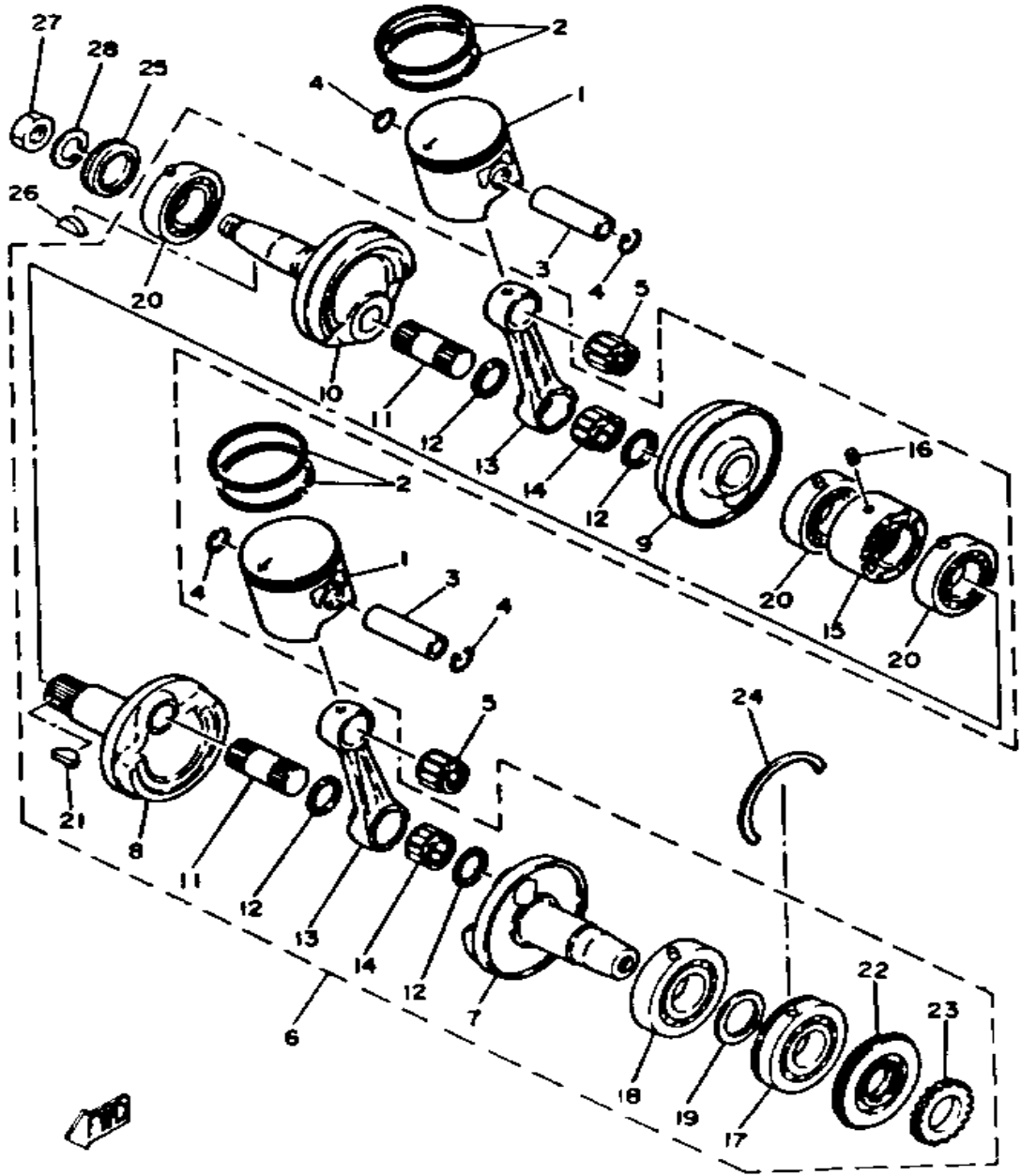


Ref. No.	Part Number	Description	Qty	Remarks
1	8K4-11631-01-96	PISTON STD	2	
	8K4-11635-01-00	PISTON 1 O/S 0.5	2	AP
	8K4-11636-01-00	PISTON 2 O/S 0.0	2	AP
	8K4-11637-01-00	PISTON 3 O/S 0.5	2	AP
	ϕ8K-41163-80-00	PISTON (4th O/S 1.00mm)	2	AP
2	(8K4-11601-40-00)	PISTON RINGSET 4TH	2	AP
	8K4-11601-00-00	PISTON RING SET (STD)	2	STD
	8K4-11601-10-00	PISTON RINGSET 1ST (1ST O/S)	2	AP
	8K4-11601-20-00	PISTON RINGSET 2ND (2ND O/S)	2	AP
	ϕ8K-41160-13-00	PISTON RING SET (3rd O/S)	2	AP
3	168-11633-00-00	PIN, PISTON	2	
4	93450-20026-00	CIRCLIP	4	
5	93310-218A6-00	BEARING	2	
6	8K4-11400-01-00	CRANKSHAFT ASSEMBLY	1	
7	(8K4-11412-00-00)	CRANK 1	1	
8	ϕ8K-41142-20-00	. CRANK 2	1	
9	ϕ8K-41143-20-00	CRANK 3	1	
10	ϕ8K-41144-20-00	. CRANK 4	1	
11	8H8-11681-00-00	. PIN, CRANK 1	2	
12	90209-24073-00	. WASHER	4	
13	8A7-11651-00-00	. ROD, CONNECTING (838-11651-00)	2	
14	93310-42497-00	. BEARING, CYLINDER.# 0	2	
15	8H8-11515-00-00	. SEAL, LABYRINTH 1	1	
16	91609-30010-00	. PIN, SPRING	1	
17	93306-30612-00	. BEARING (B6306)	1	
18	93306-30625-00	. BEARING	1	
19	90201-34683-00	. WASHER, PLATE (90201-33299-00)	1	

CONTINUED ON NEXT FRAME ➤

Not For Resale
www.SmallEngineDiscount.com

CRANKSHAFT

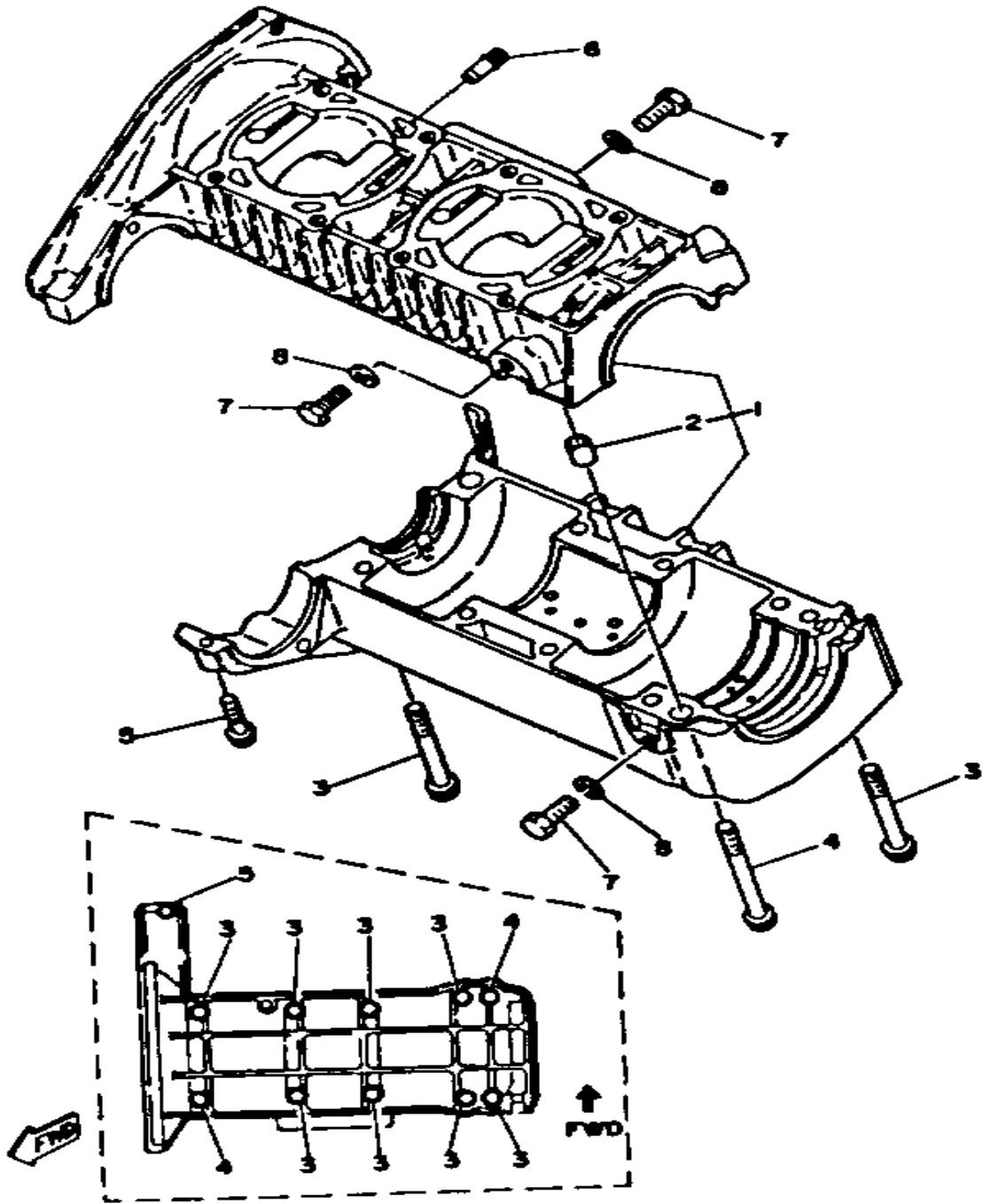


Ref. No.	Part Number	Description	Qty	Remarks
20	93306-20617-00	. BEARING (B6206)	3	
21	90280-05014-00	. KEY, WOODRUFF	1	
22	93103-32095-00	. OIL SEAL	1	
23	8K2-13178-00-00	. GEAR, PUMP DRIVE	1	
24	93440-78069-00	CIRCLIP	1	
25	93103-32156-00	OIL SEAL	1	
26	90280-05014-00	KEY, WOODRUFF	1	
27	90170-16182-00	NUT	1	
28	92901-16100-00	WASHER, SPRING	1	

Not For Resale

www.SmallEngineDiscount.com

CRANKCASE

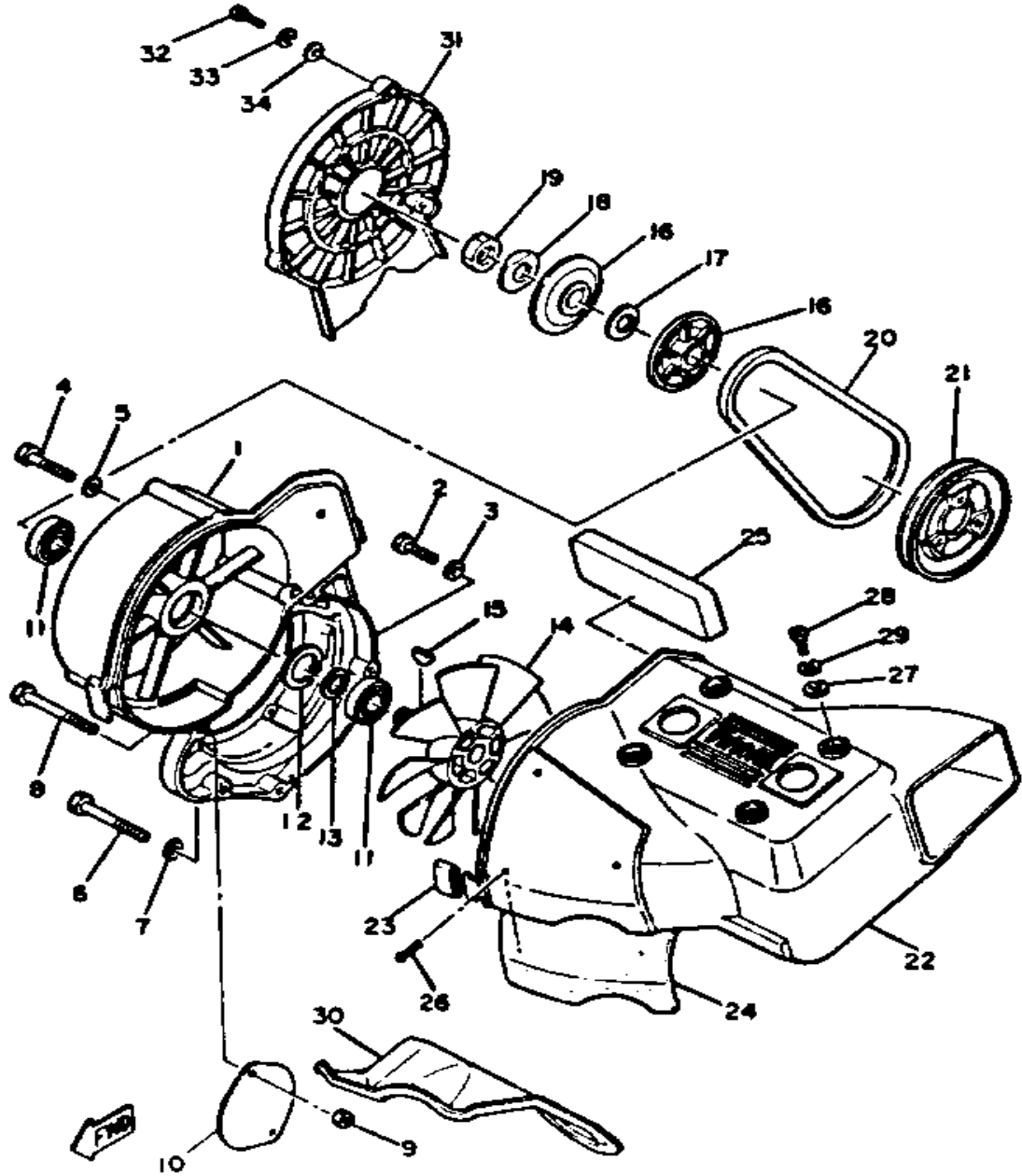


Ref. No.	Part Number	Description	Qty	Remarks
1	8H8-15100-02-00	CRANKCASE ASSEMBLY	1	
2	99510-12016-00	. PIN, DOWEL	2	
3	95811-08075-00	BOLT, FLANGE	8	
4	95811-08085-00	BOLT, FLANGE	2	
5	95811-06030-00	BOLT, FLANGE	1	
6	J38-11116-00-00	JOINT, BREATHER	1	
7	97313-08020-00	BOLT, HEXAGON	6	
8	92990-08100-00	WASHER	6	

Not For Resale

www.SmallEngineDiscount.com

AIR SHROUD - FAN

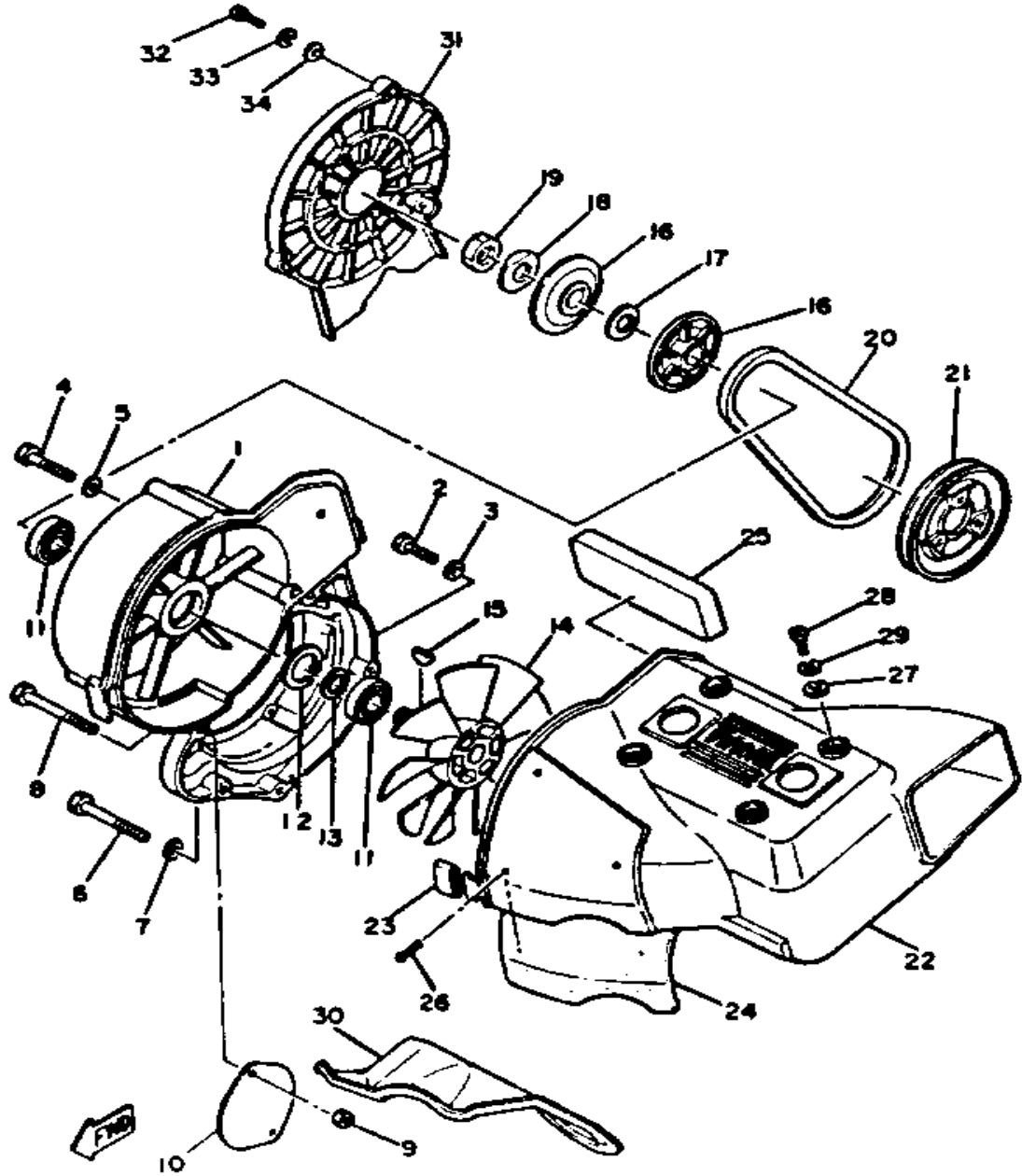


Ref. No.	Part Number	Description	Qty	Remarks
1	8K4-12621-00-00	CASE, FAN	1	
2	97313-08035-00	BOLT, HEXAGON	2	
3	92901-08600-00	WASHER	2	
4	97313-08050-00	BOLT, HEXAGON (90101-08125)	1	
5	92901-08600-00	WASHER	1	
6	97013-08075-00	BOLT	1	
7	92901-08600-00	WASHER	1	
8	97013-08075-00	BOLT	1	
9	95701-08500-00	NUT, FLANGE	2	
10	8K4-12633-00-00	PLATE	1	
11	93306-20331-00	BEARING	2	
12	93420-40064-00	CIRCLIP	1	
13	90201-17713-00	WASHER, PLATE	1	
14	99999-01135-00	FAN (8K4-12611-00)	1	
15	90280-05014-00	KEY, WOODRUFF	1	
16	8H8-12619-01-00	PULLEY 2	2	
17	90214-17017-00	WASHER, CLAW (0.5T)	1	U.R.
	90214-17018-00	WASHER, CLAW (1.0T)	1	U.R.
18	90215-16149-00	WASHER, LOCK	1	
19	90170-16239-00	NUT, HEXAGON	1	
20	8K4-12612-00-00	BELT	1	
21	8H8-12618-01-00	PULLEY 1	1	
22	8K4-12651-00-00	AIR SHROUD, CYLINDER 1 ...	1	
23	8H8-12658-00-00	DAMPER, AIR SHROUD 1	2	
24	8H8-12659-00-00	DAMPER, AIR SHROUD 2	1	
25	8K4-12669-00-00	DAMPER, AIR SHRD 4	1	
26	91401-16030-00	PIN, COTTER	3	
27	90201-06059-00	WASHER, PLATE	4	
28	98906-06016-00	SCREW, BIND	4	

CONTINUED ON NEXT FRAME ➤

Not For Resale
www.SmallEngineDiscount.com

AIR SHROUD - FAN

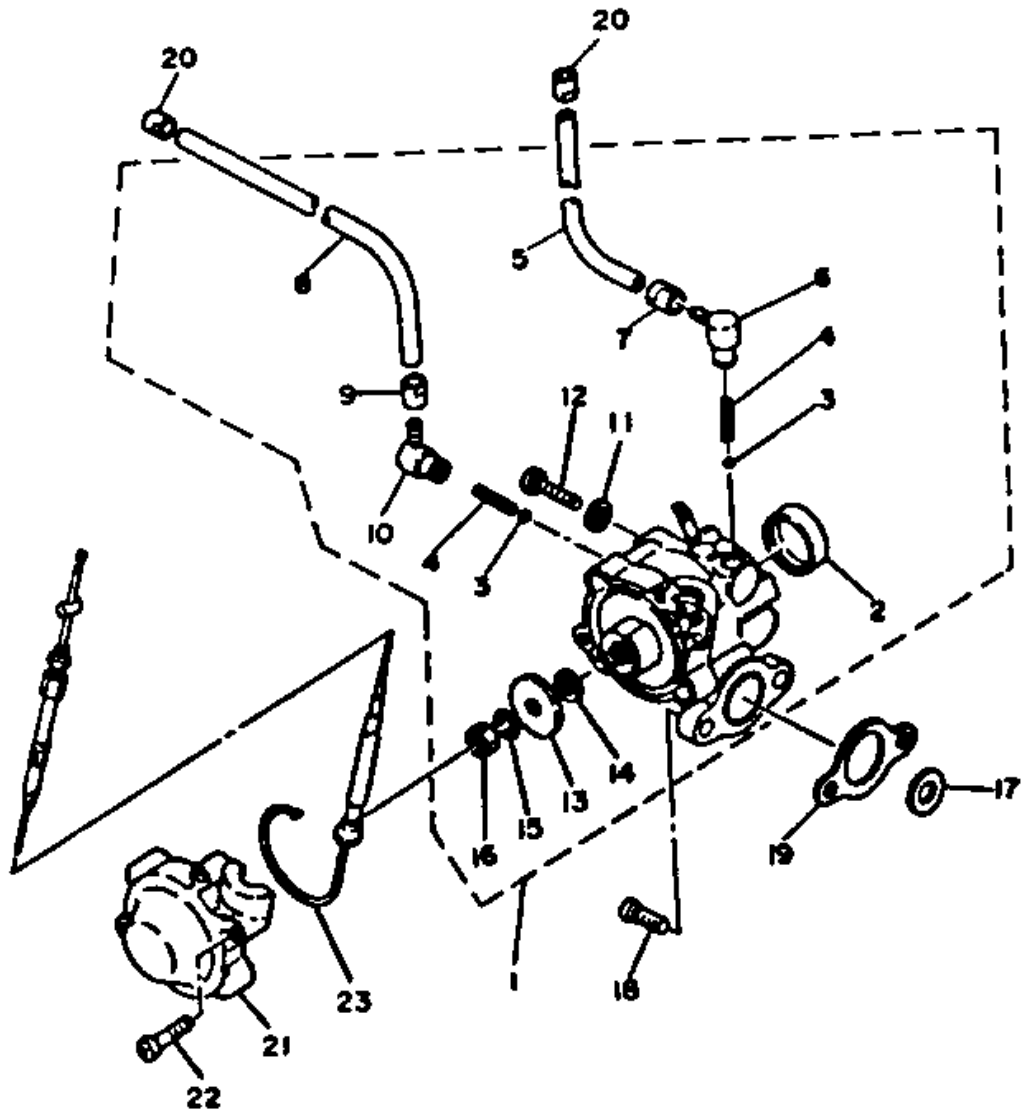


Ref. No.	Part Number	Description	Qty	Remarks
29	92906-06100-00	WASHER, SPRING	4	
30	8H8-12652-00-00	AIR SHROUD, CYLINDER 2	1	
31	8K4-12616-00-00	COVER, FAN CASE	1	
32	98506-06025-00	SCREW, PAN HEAD	3	
33	92906-06100-00	WASHER, SPRING	3	
34	90201-062A8-00	WASHER, PLATE	3	

Not For Resale
www.SmallEngineDiscount.com

OIL PUMP

Ref. No.	Part Number	Description	Qty	Remarks
1	8K4-13101-00-00	OIL PUMP ASSEMBLY	1	
2	90338-21100-00	. PLUG	1	
3	93505-32002-00	. BALL	2	
4	90501-02018-00	. SPRING, COMPRESSION	2	
5	90445-05350-00	. HOSE (3-100)	1	
6	353-13552-01-00	. NOZZLE	1	
7	90468-02033-00	. CLIP	1	
8	90445-05301-00	. HOSE (214-13161-01)	1	
9	90468-02033-00	. CLIP	1	
10	353-13552-01-00	. NOZZLE	1	
11	90430-04004-00	. GASKET	1	
12	90157-04009-00	. SCREW, PAN HEAD	1	
13	137-13138-01-00	. PLATE, ADJUSTING	1	
14	137-13137-00-03	. SHIM (0.3T)	1	U.R.
	137-13137-00-05	. SHIM (0.5T)	1	U.R.
	137-13137-00-10	. SHIM (1.0T)	1	U.R.
15	92990-05100-00	. WASHER, SPRING	1	
16	95380-05600-00	. NUT	1	
17	90201-08624-00	WASHER, PLATE	1	
18	98580-05016-00	SCREW, PAN HEAD	2	
19	3MT-13116-00-00	GASKET, PUMP CASE (8Y0-13116-00)	1	
20	90468-02033-00	CLIP	2	
21	8A5-13146-00-00	COVER, adjust pulley	1	
22	98506-04018-00	SCREW, PAN HEAD	3	
23	8H8-26320-01-00	PUMP CABLE ASS'Y	1	

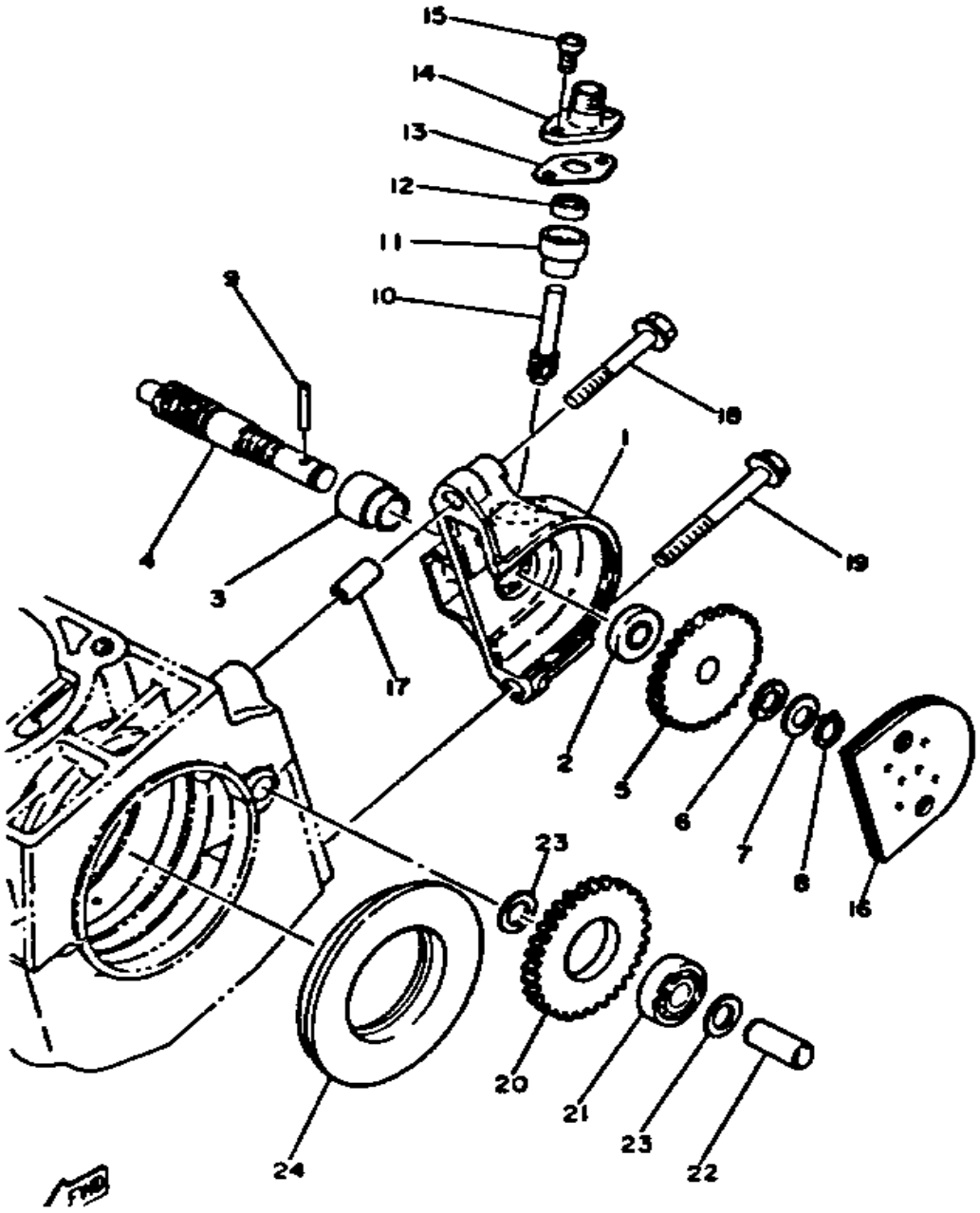


Not For Resale

www.SmallEngineDiscount.com

PUMP DRIVE GEAR

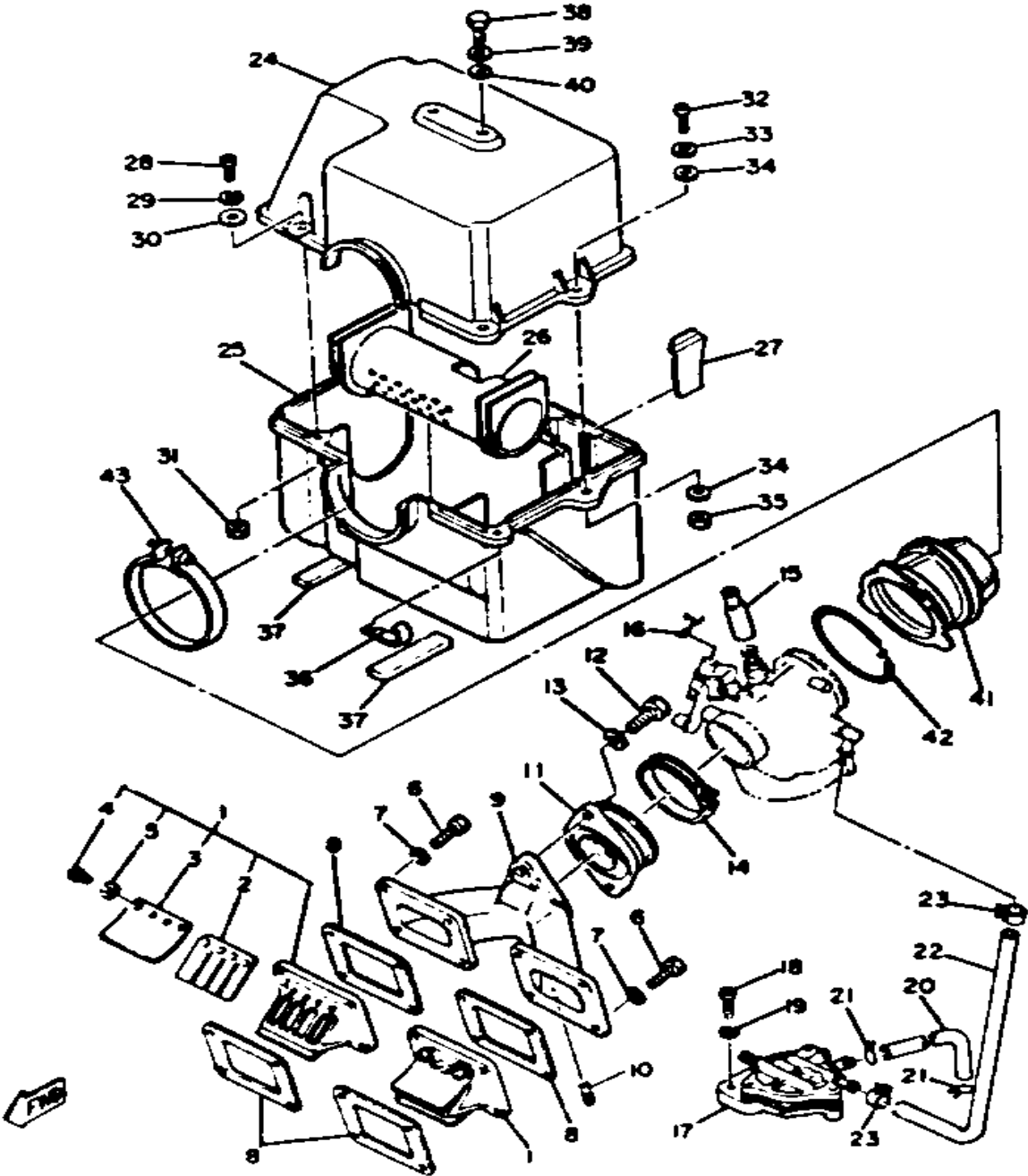
Ref. No.	Part Number	Description	Qty	Remarks
1	8H8-15416-00-00	COVER, OIL PUMP	1	
2	93101-10090-00	OIL SEAL	1	
3	821-13176-00-00	METAL, WORM SHAFT OUTER	1	
4	866-13175-00-00	SHAFT, WORM	1	
5	821-13188-00-00	GEAR, DRIVE (32T)	1	
6	90206-11016-00	WASHER, WAVE	1	
7	137-13148-00-00	PLATE, CAM THRUST	1	
8	99009-10400-00	CIRCLIP	1	
9	93603-22028-00	PIN, DOWEL	1	
10	813-17841-00-00	GEAR, DRIVEN (10T)	1	
11	821-17843-00-00	BUSH, DRIVEN GEAR OUTER	1	
12	93104-06033-00	OIL SEAL	1	
13	821-17818-02-00	GASKET	1	
14	821-17819-00-00	CAP, HOUSING	1	
15	98501-05010-00	SCREW, PAN HEAD	2	
16	8K4-15426-00-00	COVER, OIL PUMP 2	1	
17	99510-12016-00	PIN, DOWEL	2	
18	95811-06040-00	BOLT, FLANGE	1	
19	95811-06055-00	BOLT, FLANGE (95802-06055)	1	
20	8H8-13179-00-00	GEAR, IDLE (34T)	1	
21	93306-00002-00	BEARING (B6000RS)	1	
22	8G8-13342-00-00	SHAFT, IDLE GEAR	1	
23	90201-10119-00	WASHER, PLATE	2	
24	8K4-13119-00-00	SEAL, GREASE	1	



Not For Resale

www.SmallEngineDiscount.com

AIR CLEANER

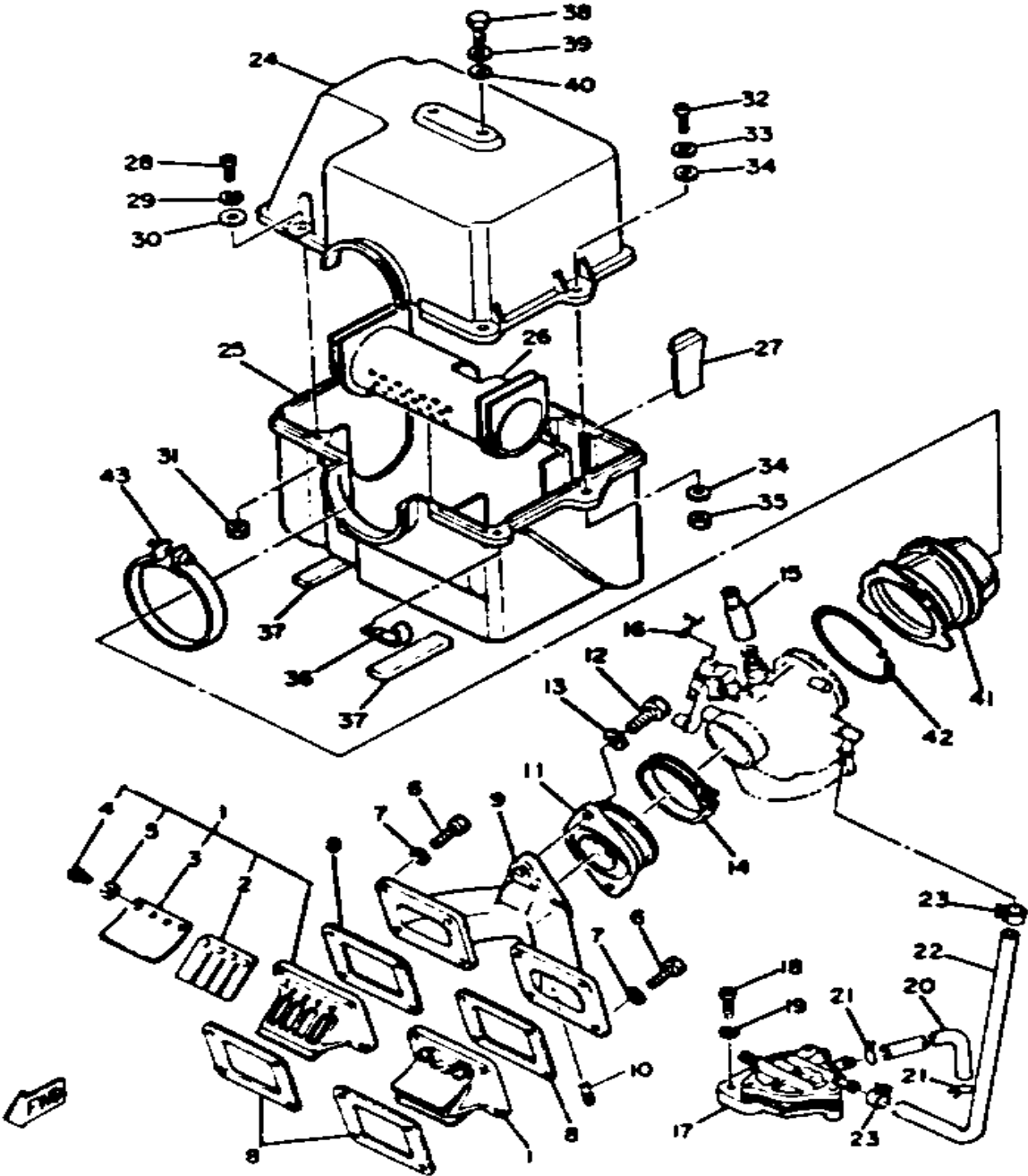


Ref. No.	Part Number	Description	Qty	Remarks
1	8AT-13610-00-00	REED VALVE ASSEMBLY	2	
2	8AT-13613-00-00	. REED, VALVE	4	
3	8H8-13616-00-00	. STOPPER, REED VALVE	4	
4	98580-03008-00	. SCREW, PAN HEAD	16	
5	92990-03100-00	. WASHER, SPRING (92901-03100)	16	
6	97011-06025-00	BOLT (97001-06025)	8	
7	92901-06600-00	WASHER	8	
8	8Y7-13556-01-00	GASKET, MANIFOLD	4	
9	ø8K-41356-50-00	JOINT, carburetor	1	
10	824-13552-00-00	NOZZLE	2	
11	8G8-13555-01-00	MANIFOLD, INTAKE	1	
12	97001-08025-00	BOLT (1NV)	2	
13	92901-08600-00	WASHER	2	
14	86M-13575-00-00	BAND	1	
15	8J5-26352-00-00	BOOT	1	
16	830-41222-00-00	CLAMP, THROTTLE	1	
17	8K4-24410-00-00	FUEL PUMP ASSEMBLY	1	
18	98580-06020-00	SCREW	2	
19	92995-06100-00	WASHER, SPRING	2	
20	90445-10209-00	HOSE	1	
21	90467-09006-00	CLIP	2	
22	90446-11109-00	HOSE	1	
23	90467-11028-00	CLIP	2	
24	8K4-14431-00-00	SILENCER, INTAKE 1	1	
25	8K4-14441-01-00	SILENCER, INTAKE 2	1	
26	8K4-14466-00-00	PIPE	1	
27	8K4-14477-00-00	PLATE	2	
28	98580-05016-00	SCREW, PAN HEAD	3	

CONTINUED ON NEXT FRAME ➤

Not For Resale
www.SmallEngineDiscount.com

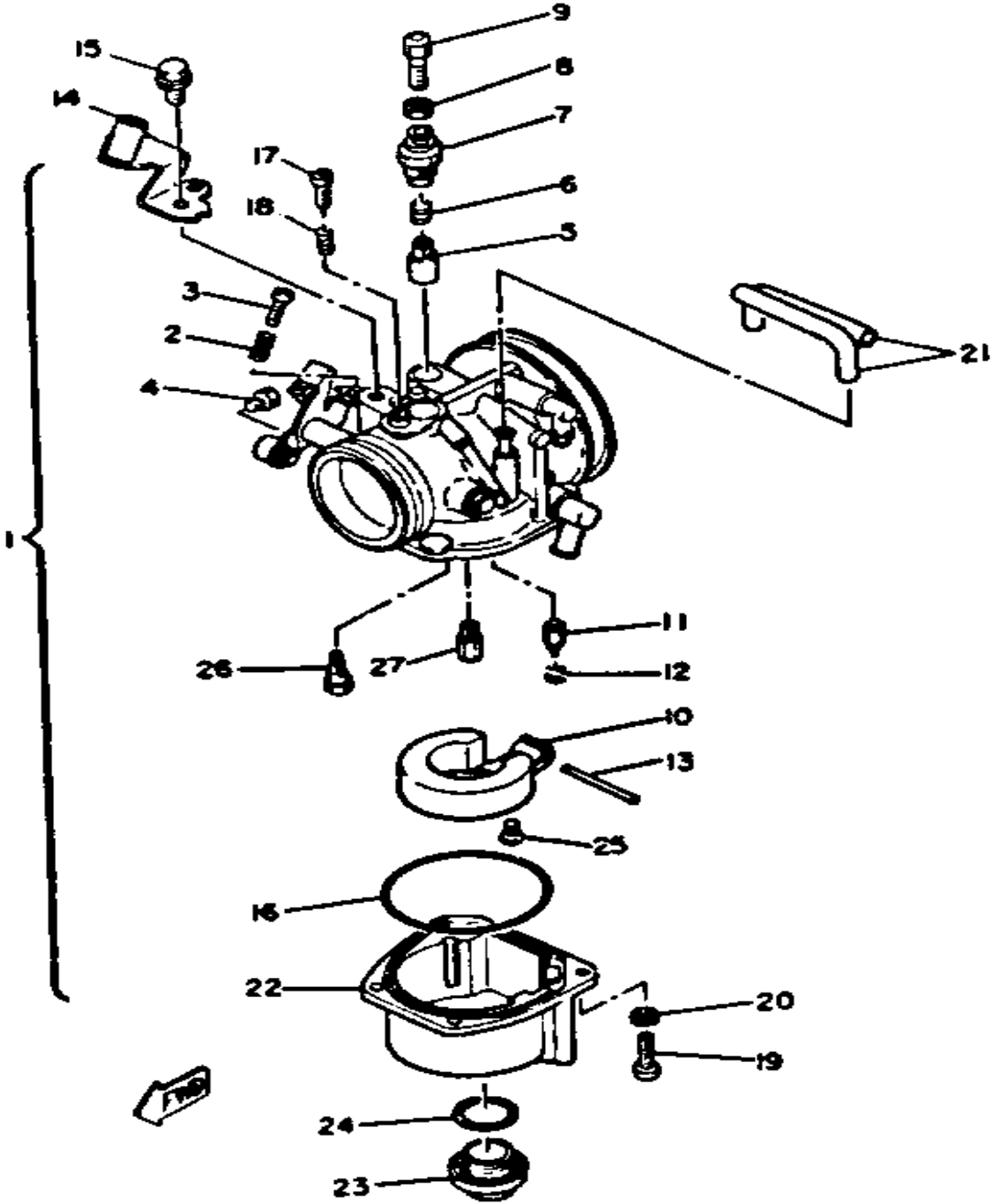
AIR CLEANER



Ref. No.	Part Number	Description	Qty	Remarks
29	92990-05100-00	WASHER, SPRING	3	
30	92901-05600-00	WASHER, PLATE	3	
31	95311-05700-00	NUT	3	
32	98511-06025-00	SCREW PAN HEAD (92501-06025)	2	
33	92995-06100-00	WASHER, SPRING	2	
34	92990-06200-00	WASHER	4	
35	95380-06600-00	NUT	2	
36	90462-06058-00	CLAMP	1	
37	8K4-14425-00-00	DAMPER 1	2	
38	97313-06016-00	BOLT, HEXAGON	2	
39	92995-06100-00	WASHER, SPRING	2	
40	90201-062A8-00	WASHER, PLATE	2	
41	8K4-14453-00-00	JOINT, air cleaner 1	1	
42	90506-06095-00	SPRING, tension	1	
43	90460-75020-00	CLAMP, HOSE	1	

Not For Resale
www.SmallEngineDiscount.com

CARBURETOR

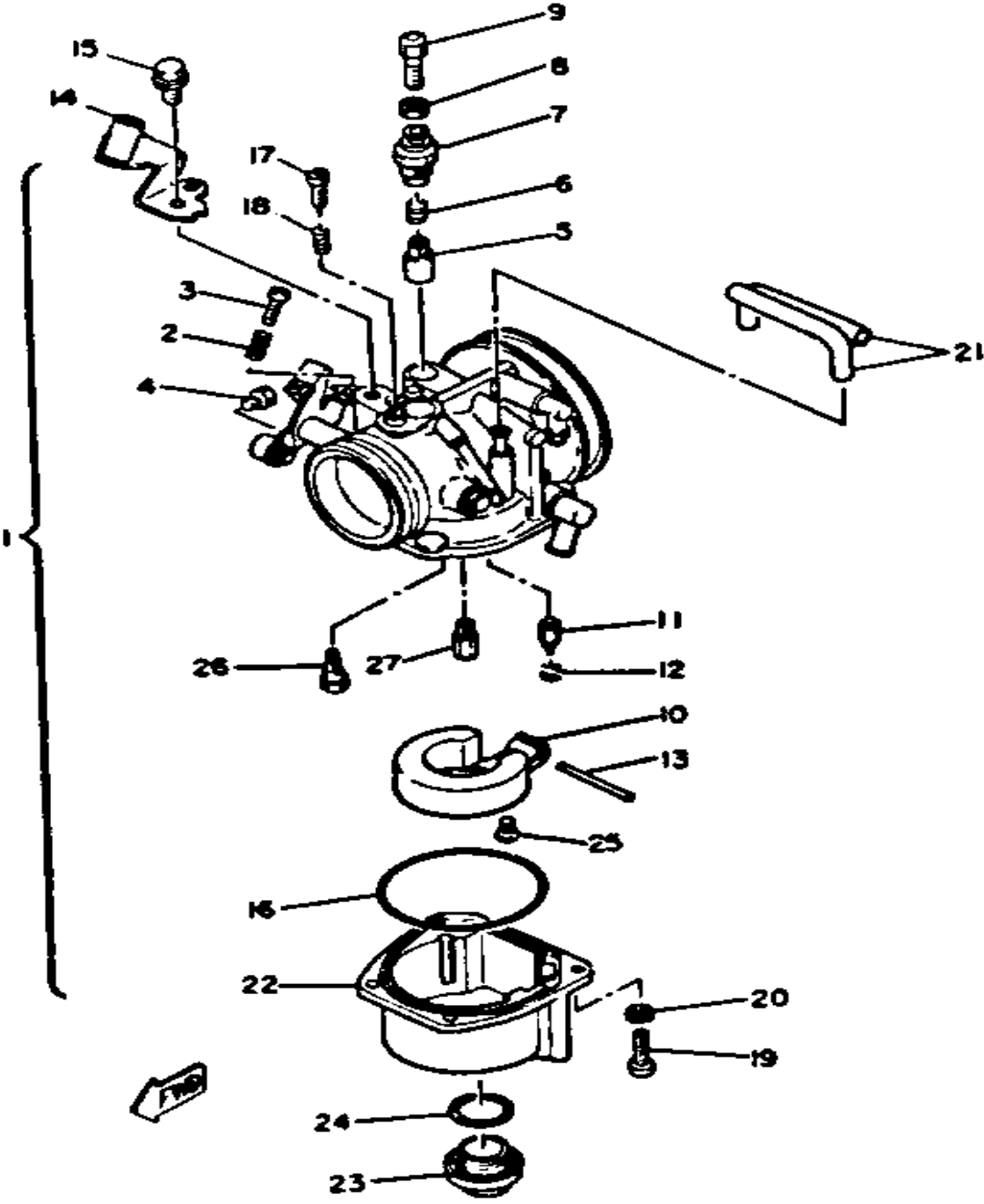


Ref. No.	Part Number	Description	Qty	Remarks
1	ø8K-41410-10-00	CARBURETOR ASS'Y 1	1	
2	90501-12229-00	. SPRING, COMPRESSION	1	
3	90157-04010-00	. SCREW, PAN HEAD	1	
4	(8F3-14591-00-00)	SCREW	1	
5	371-14993-60-00	. PLUNGER, STARTER	1	
6	90501-08443-00	. SPRING, COMPRESSION	1	
7	8A6-14969-00-00	. CAP	1	
8	8E7-14161-00-00	. NUT, CABLE ADJUSTING	1	
9	8A6-14977-00-00	. SHAFT, STARTER LEVER	1	
10	8G6-14985-01-00	. FLOAT	1	
11	8E7-14546-01-00	. VALVE, NEEDLE	1	
12	663-14159-00-00	. CLIP	1	
13	663-14548-00-00	. PIN, FLOAT ARM	1	
14	8G6-14572-00-00	. PLATE, STAY	1	
15	8G6-14592-00-00	. SCREW	1	
16	8G6-14984-00-00	. GASKET, FLOAT CHAMBER	1	
17	8G6-14521-00-00	. SCREW, ADJUST	1	
18	90501-08214-00	. SPRING, COMPRESSION	1	
19	ø97-60204-11-40	. SCREW, pan head (98502-04040)	4	
20	92901-04100-00	. WASHER, SPRING	4	
21	8G6-14994-01-00	. NET, FILTER	2	
22	8K4-14980-00-00	. BODY, FLOAT CHAMBER	1	
23	8M7-14992-00-00	. ROD	1	
24	93210-19309-00	. O-RING	1	
25	98701-04008-00	. SCREW, FLAT HEAD	1	
26	8G6-14948-19-00	. JET # 0	1	
27	8A6-14516-15-00	. JET, main (#115)	1	U.R.
	8A6-14516-20-00	. JET, MAIN #1 0	1	U.R.

CONTINUED ON NEXT FRAME ►

Not For Resale
www.SmallEngineDiscount.com

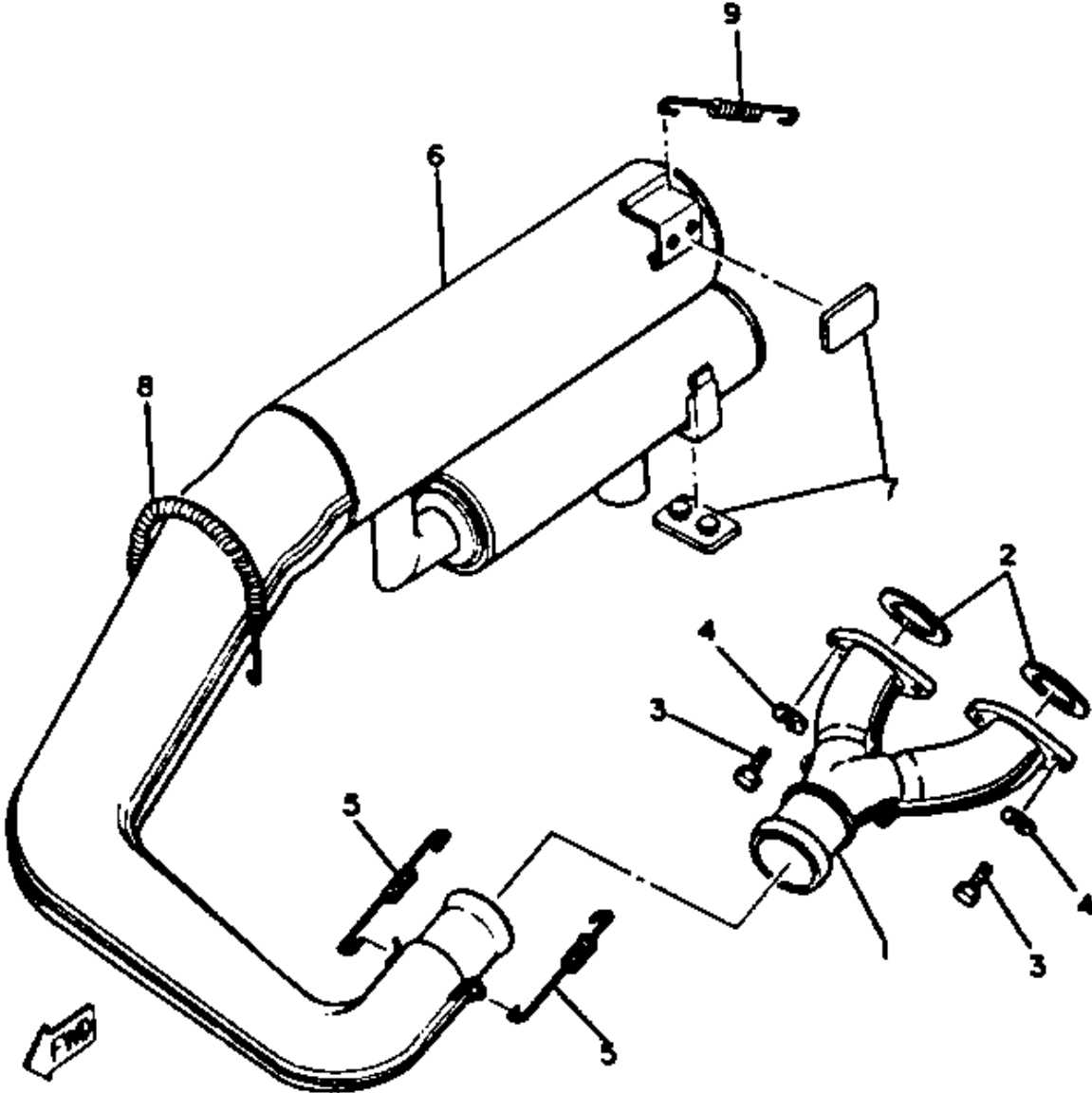
CARBURETOR



Ref. No.	Part Number	Description	Qty	Remarks
27	8A6-14516-25-00	. JET, MAIN #1 5	1	U.R.
	8A6-14516-30-00	. JET, MAIN #1 0	1	U.R.
	8A6-14516-35-00	. JET, MAIN #1 5	1	U.R. STD
	8A6-14516-40-00	. JET, MAIN #1 0	1	U.R.

Not For Resale
www.SmallEngineDiscount.com

EXHAUST

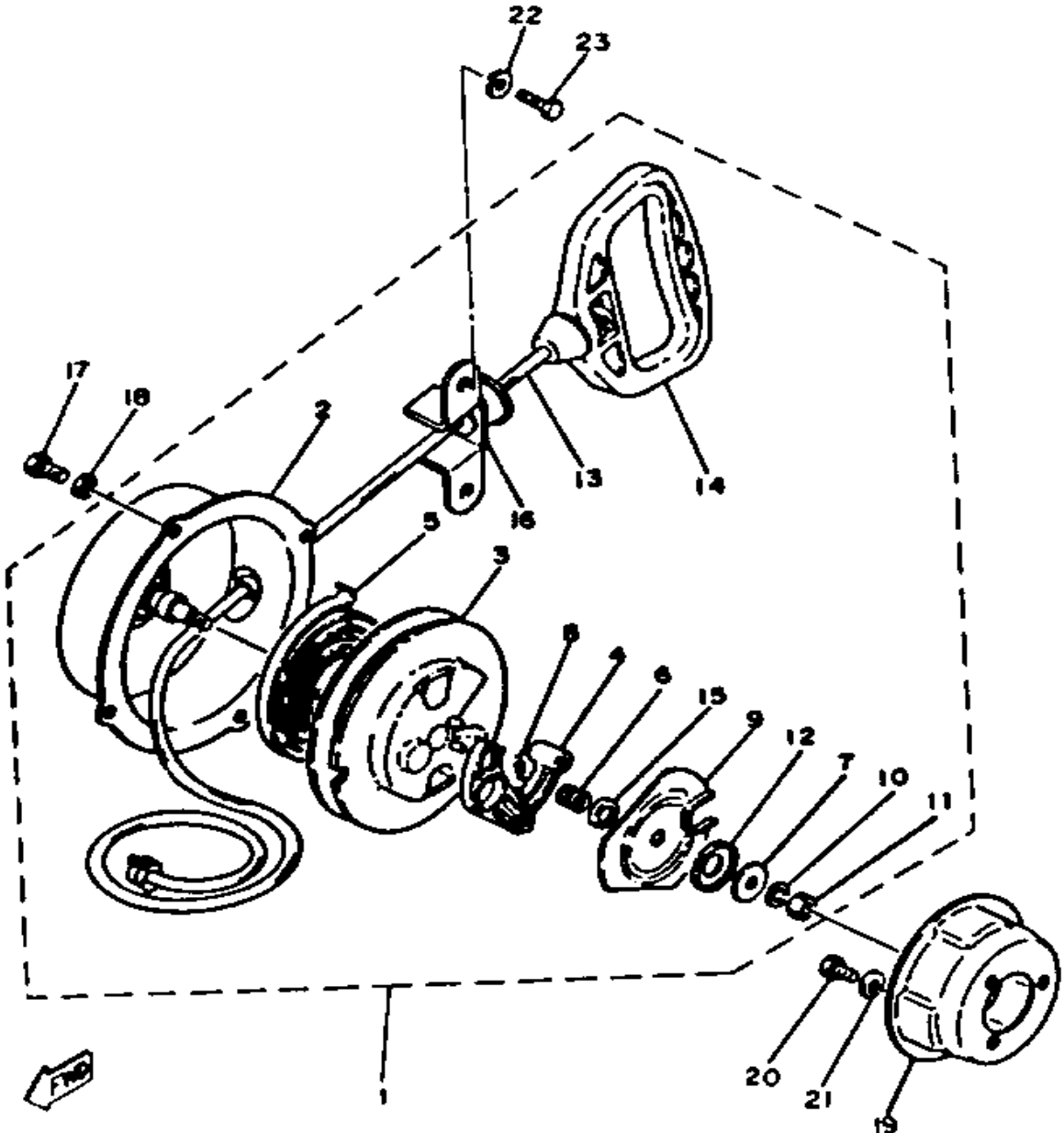


Ref. No.	Part Number	Description	Qty	Remarks
1	8K4-14610-00-00	EXHAUST PIPE ASSEMBLY 1	1	
2	821-14613-01-00	GASKET, EXHAUST PIPE	2	
3	97313-08020-00	BOLT, HEXAGON	4	
4	92990-08100-00	WASHER	4	
5	821-14773-00-00	SPRING, MUFFLER	2	
6	8K4-14710-01-00	MUFFLER ASSEMBLY L (8K4-14710-00)	1	
7	8A5-14728-02-00	PROTECTOR, MUFFLER 2	2	
8	90506-14207-00	SPRING, TENSION	1	
9	90506-16212-00	SPRING, TENSION	1	

Not For Resale

www.SmallEngineDiscount.com

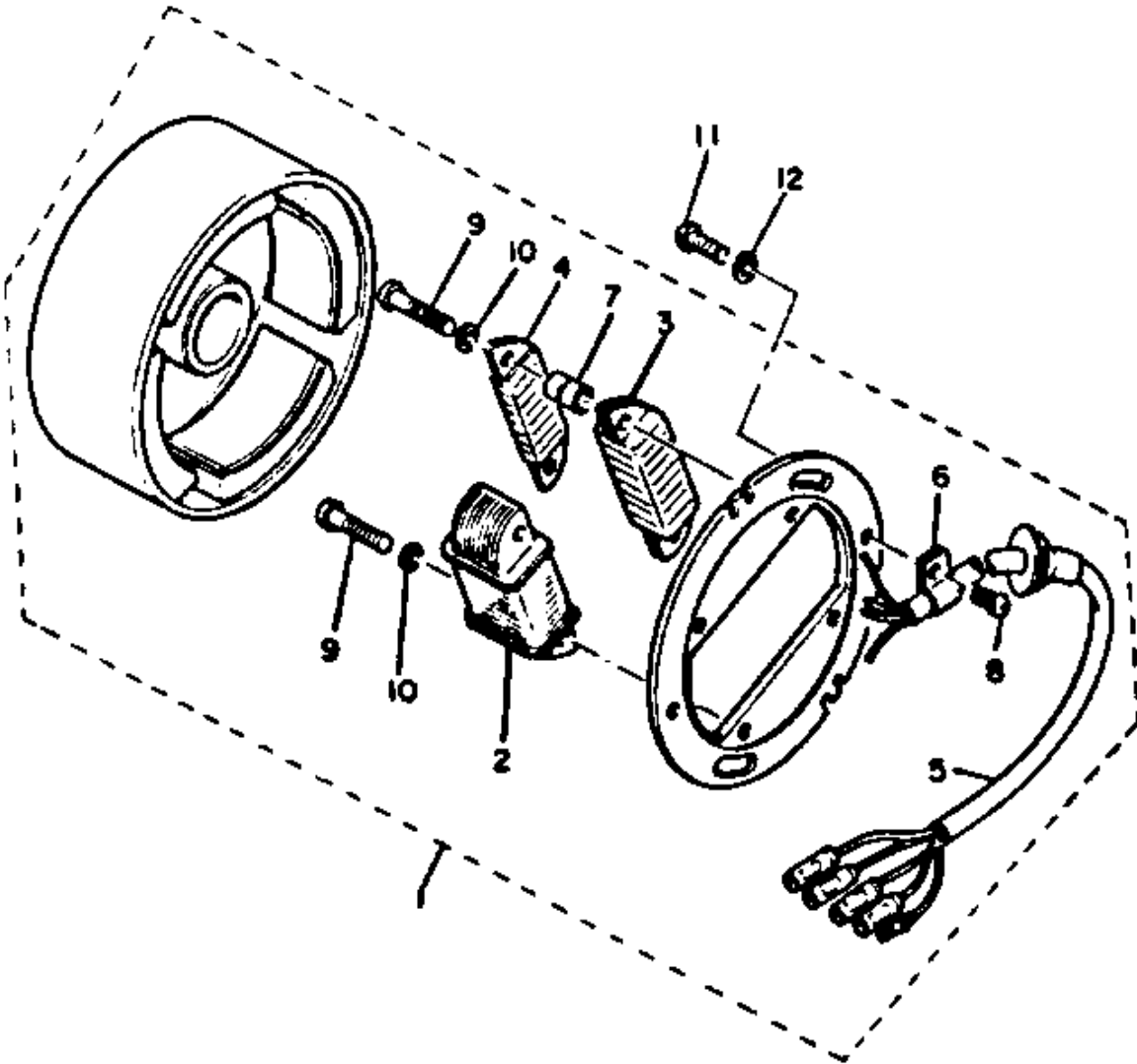
STARTER



Ref. No.	Part Number	Description	Qty	Remarks
1	8K4-15710-00-00	STARTER ASSEMBLY	1	
2	8H8-15711-00-00	. CASE, STARTER	1	
3	8F3-15714-01-00	. DRUM, SHEAVE	1	
4	8F3-15741-01-00	. PAWL, DRIVE	1	
5	8Y0-15713-00-00	. SPRING, STARTER	1	
6	8F3-15715-00-00	. SPRING, FRICTION	1	
7	8F3-15739-01-00	. WASHER, THRUST	1	
8	8F3-15734-00-00	. SPRING, RETURN	1	
9	8F3-15716-03-00	. PLATE, DRIVE	1	
10	92995-06100-00	. WASHER, SPRING	1	
11	95380-06700-00	. NUT	1	
12	8G5-15739-00-00	. WASHER, THRUST	1	
13	857-15751-00-00	. WIRE, STARTER	1	
14	8F3-15755-00-00	. HANDLE, STARTER	1	
15	82M-15779-00-00	. COVER	1	
16	8K4-15788-00-00	. HOLDER, HANDLE	1	
17	97026-06014-00	BOLT	4	
18	92906-06100-00	WASHER, SPRING	4	
19	8H8-15723-01-00	PULLEY, STARTER	1	
20	97313-08020-00	BOLT, HEXAGON	3	
21	92990-08100-00	WASHER	3	
22	97026-06012-00	BOLT	2	
23	92906-06100-00	WASHER, SPRING	2	

Not For Resale
www.SmallEngineDiscount.com

C - D - I - MAGNETO

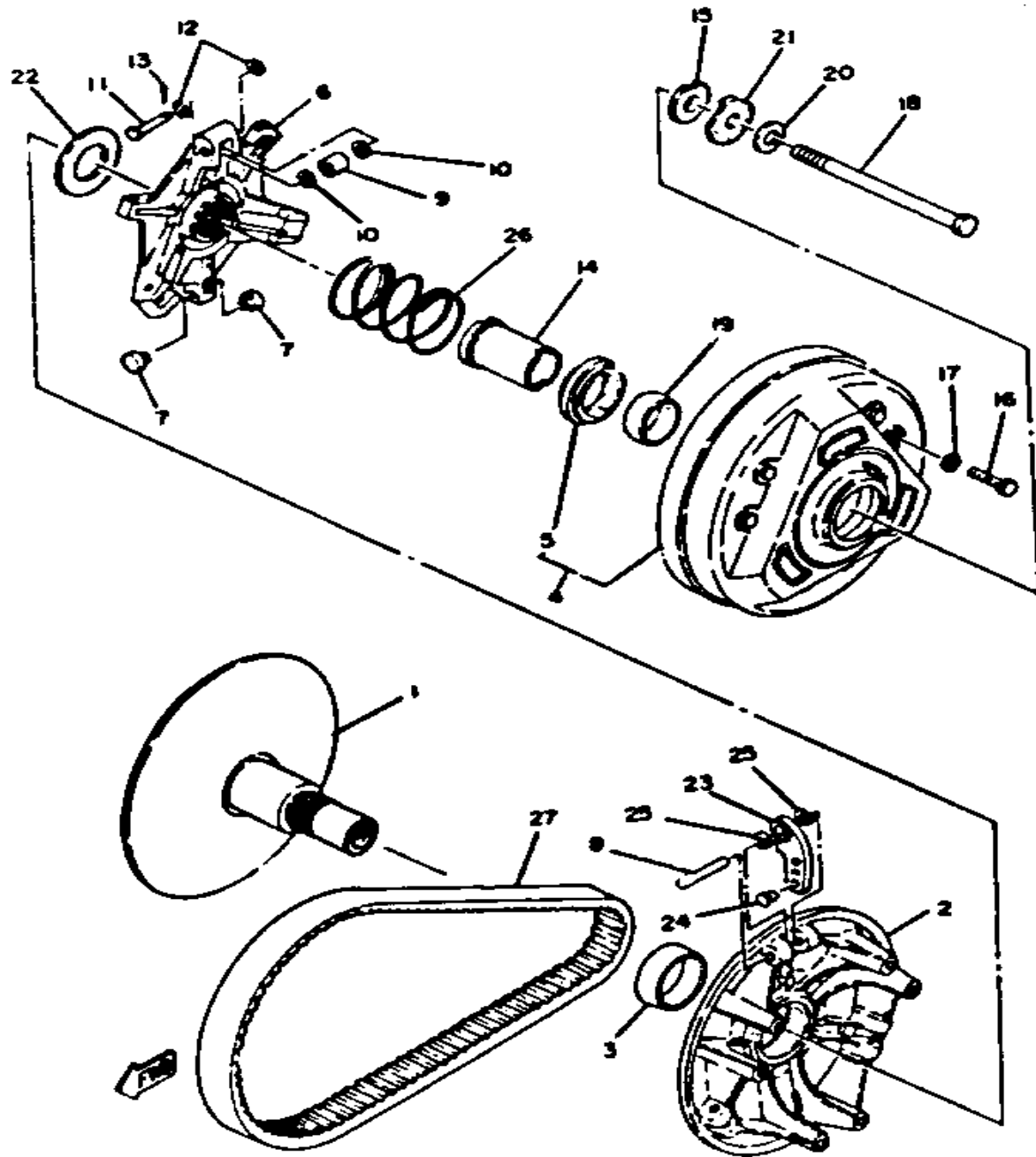


Ref. No.	Part Number	Description	Qty	Remarks
1	ø8K-48550-01-00	C.D.I. MAGNETO ASS'Y	1	
2	8K4-85513-10-00	. COIL, LIGHTING 1	1	
3	482-85520-10-00	. COIL, CHARGE	1	
4	8G9-85541-10-00	. COIL, CHARGE	1	
5	ø8K-48551-51-00	. LEAD WIRE ASS'Y	1	
6	109-81328-11-00	. CLAMP	1	
7	ø8G-98131-81-00	. SPACER	2	
8	98580-04008-00	. SCREW, PAN HEAD	1	
9	98501-05035-00	. SCREW, PAN HEAD	4	
10	92990-05100-00	. WASHER, SPRING	4	
11	98903-06014-00	SCREW, BIND	2	
12	90201-06043-00	WASHER, PLATE	2	

Not For Resale

www.SmallEngineDiscount.com

PRIMARY SHEAVE



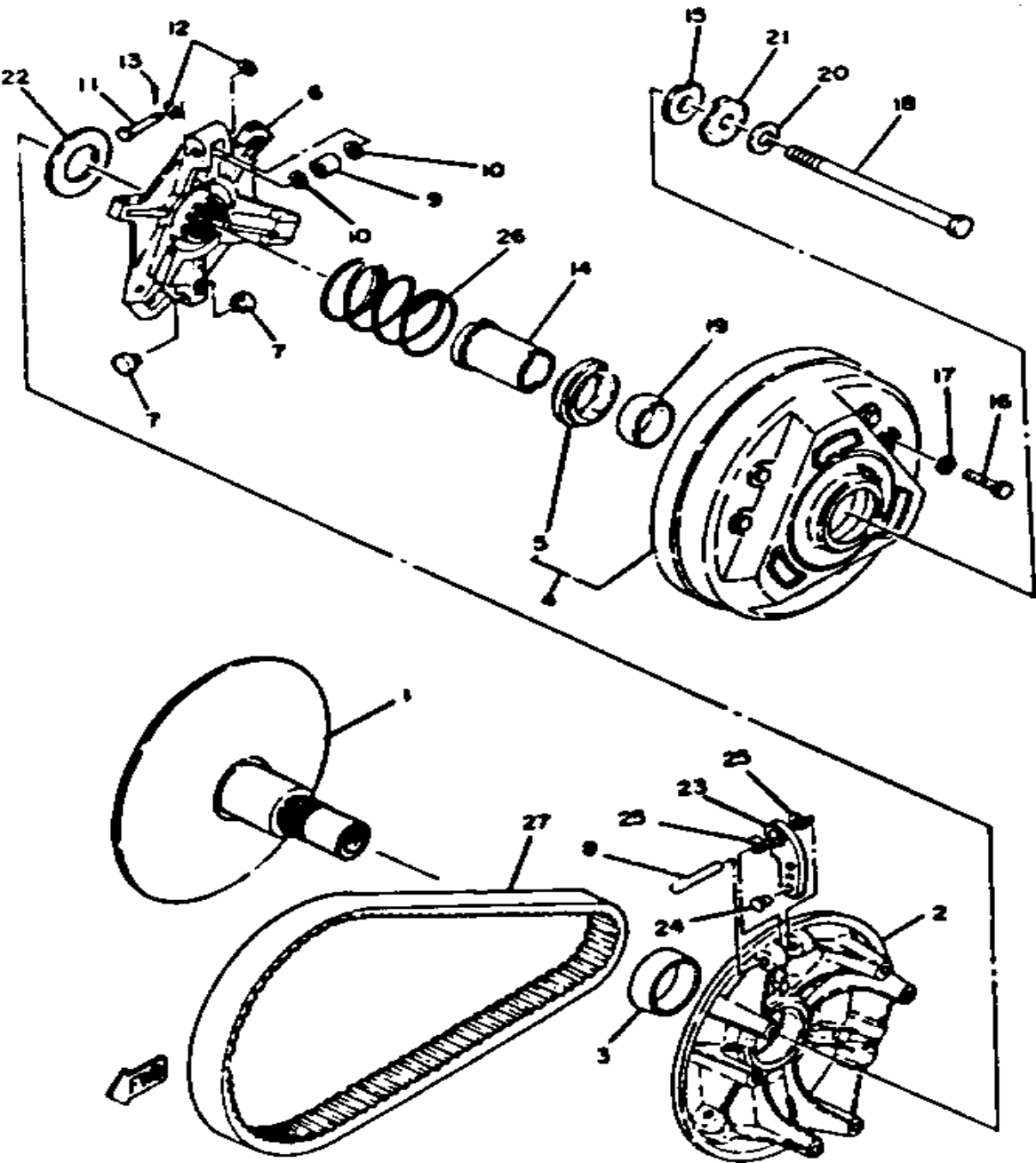
Ref. No.	Part Number	Description	Qty	Remarks
1	8J0-17610-01-00	PRI FIXED SHEAVE	1	
2	8E7-17621-01-00	SHEAVE, PRI SLIDING	1	
3	90389-41021-00	BUSH, SPEC'L SHAPE	1	
4	8E7-W1762-00-00	PRI. SHEAVE CAP	1	
5	8E7-17644-02-00	. SEAT, SPRING	1	
6	8A7-17627-00-00	SPIDER	1	
7	8F2-17653-00-00	SLIDER	6	
8	93607-44120-00	PIN, DOWEL	3	
9	90387-06560-00	COLLAR	3	
10	90202-06113-00	WASHER, PLATE	6	
11	90240-06062-00	PIN, CLEVIS	3	
12	92990-06200-00	WASHER	6	
13	91401-25020-00	PIN, COTTER	3	
14	(8G9-00000-50-00)	CLUTCH TUNE KIT		incl/w OPTIONAL PART
	8K2-17602-09-00	CLUTCH SUB ASSEMBLY		incl/w + OPTIONAL PART
	8K4-17000-10-00	EIGHT KIT		incl/w O OPTIONAL PART
	90387-28721-00	COLLAR	1	
15	8J0-17654-00-00	SPACER 1	1	
16	97313-06030-00	BOLT, HEXAGON	6	
17	92995-06100-00	WASHER, SPRING	6	
18	90101-13406-00	BOLT	1	
19	90389-34020-00	BUSH, SPEC'L SHAPE	1	
20	90204-13010-00	WASHER, SPRING	1	
21	90215-13047-00	WASHER, LOCK	1	
22	90201-32710-00	WASHER, PLATE	1	
23	8K4-17632-00-00	WEIGHT	3	0
24	90261-06017-00	RIVET, COUNTERSUNK (ST11.3MM)	6	0

CONTINUED ON NEXT FRAME ➤

Not For Resale

www.SmallEngineDiscount.com

PRIMARY SHEAVE

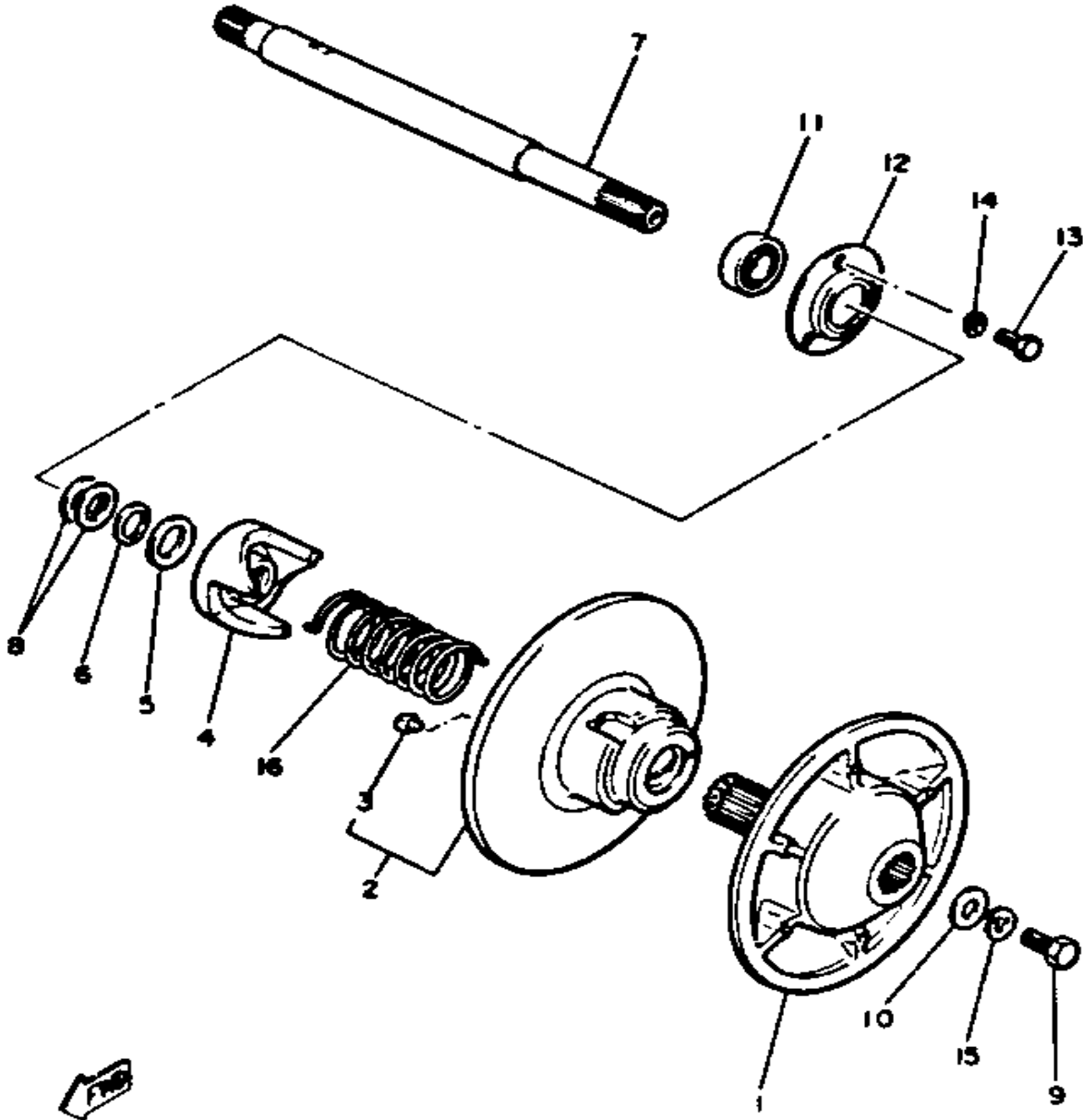


Ref. No.	Part Number	Description	Qty	Remarks
25	90201-07641-00	WASHER, PLATE	6	
26	90501-50578-00	SPRING, compression	1	
27	(8G9-00000-50-00)	CLUTCH TUNE KIT		incl/w OPTIONAL PART
	8F2-17641-01-00	V-BELT	1	
	8K2-17602-09-00	CLUTCH SUB ASSEMBLY		incl/w + OPTIONAL PART
	8K4-17000-10-00	EIGHT KIT		incl/w O OPTIONAL PART

Not For Resale

www.SmallEngineDiscount.com

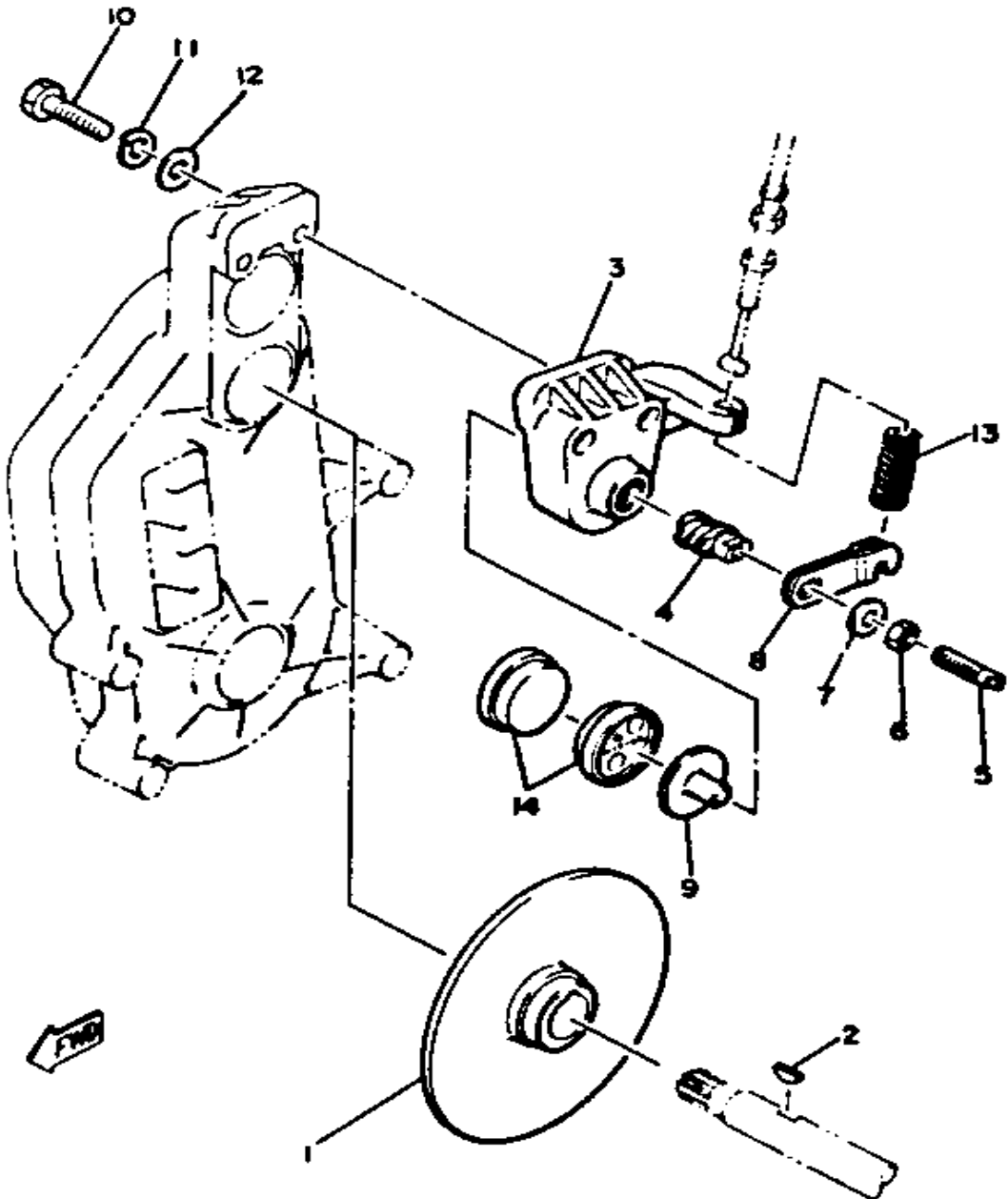
SECONDARY SHEAVE



Ref. No.	Part Number	Description	Qty	Remarks
1	8K4-17660-00-00	SEC FXD SHV	1	
2	99999-01794-00	SEC.SLDNG.SHV.SET	1	
3	8X0-17688-00-00	. SHOE, lamp	3	
4	8K4-17684-00-00	SEAT, SEC SPRING	1	
5	90201-34684-00	WASHER, PLATE	1	
6	93440-34170-00	CIRCLIP	1	
7	(8K4-17681-00-00)	SHAFT, SECONDARY	1	
8	90201-25526-00	WASHER, PLATE (T2.0)	1	U.R.
	90201-25527-00	WASHER, PLATE (T1.0)	1	U.R.
9	90101-14468-00	BOLT	1	
10	90201-140A6-00	WASHER, PLATE	1	
11	93306-20537-00	BEARING	1	
12	8K4-47631-01-00	HOUSING, BEARING	1	
13	97011-08016-00	BOLT	3	
14	92990-08100-00	WASHER	3	
15	92901-14100-00	WASHER, SPRING	1	
16	90508-45286-00	SPRING, TORSION	1	

Not For Resale
www.SmallEngineDiscount.com

BRAKE

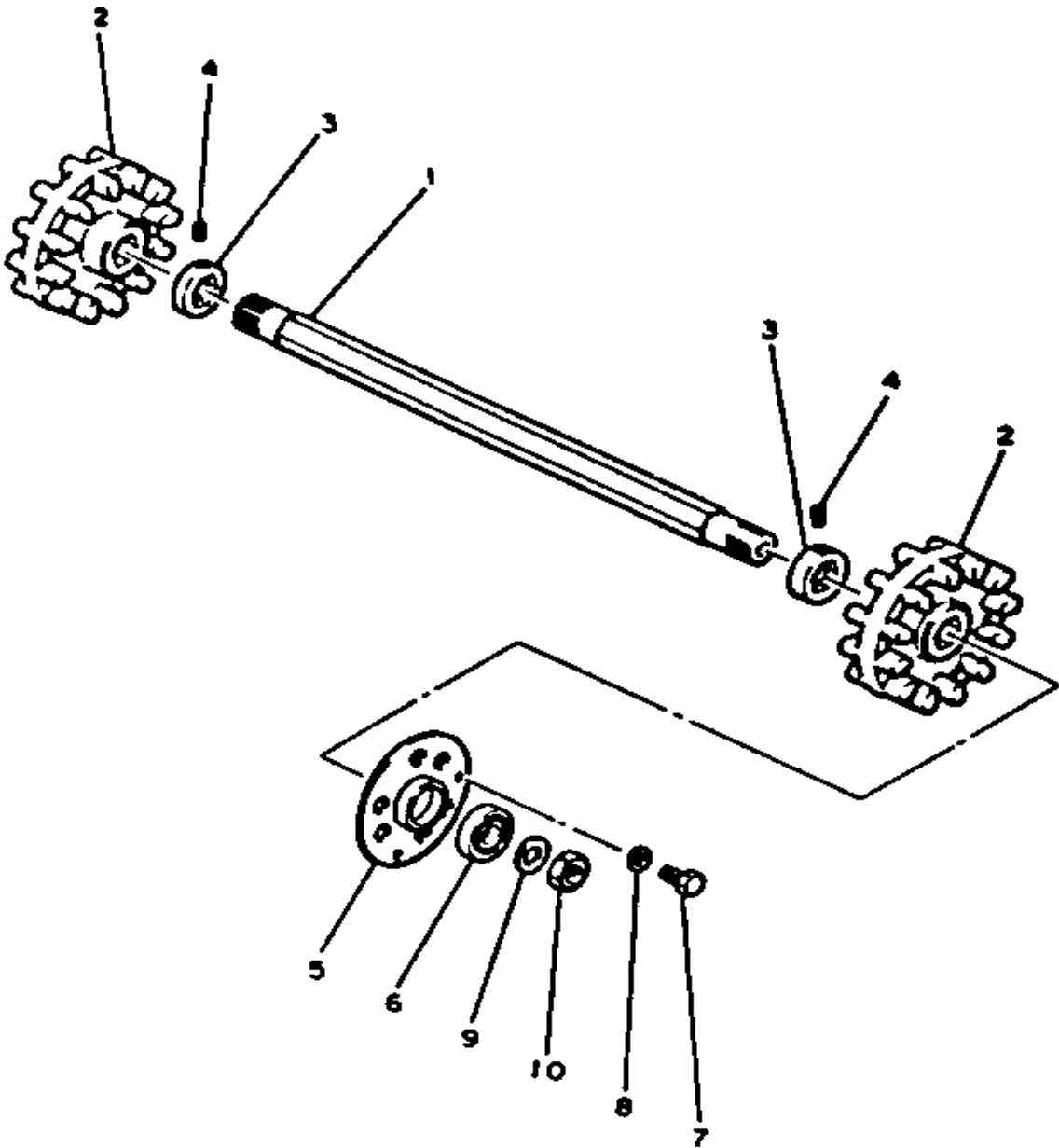


Ref. No.	Part Number	Description	Qty	Remarks
1	(8K4-25831-00-00)	DISC, BRAKE	1	
2	8J7-25848-00-00	KEY	1	
3	8K4-25731-00-00	BODY, CALIPER 1	1	
4	878-25728-00-00	CAM	1	
5	90149-08033-00	SCREW, SPEC'L SHAPE	1	
6	95303-08700-00	NUT	1	
7	92901-08600-00	WASHER	1	
8	878-25726-00-00	LEVER, BRAKE	1	
9	878-25733-00-00	PLATE, BACK UP	1	
10	97313-10055-00	BOLT, HEXAGON (97322-10055)	2	
11	92990-10100-00	WASHER, SPRING	2	
12	92990-10600-00	WASHER, PLATE	2	
13	90501-23337-00	SPRING, COMPRESSION	1	
14	84X-25811-01-00	PAD, CALIPER 2	1	U.R.
	84X-25811-01-00	PAD, CALIPER 2	2	U.R.

Not For Resale

www.SmallEngineDiscount.com

TRACK DRIVE 1

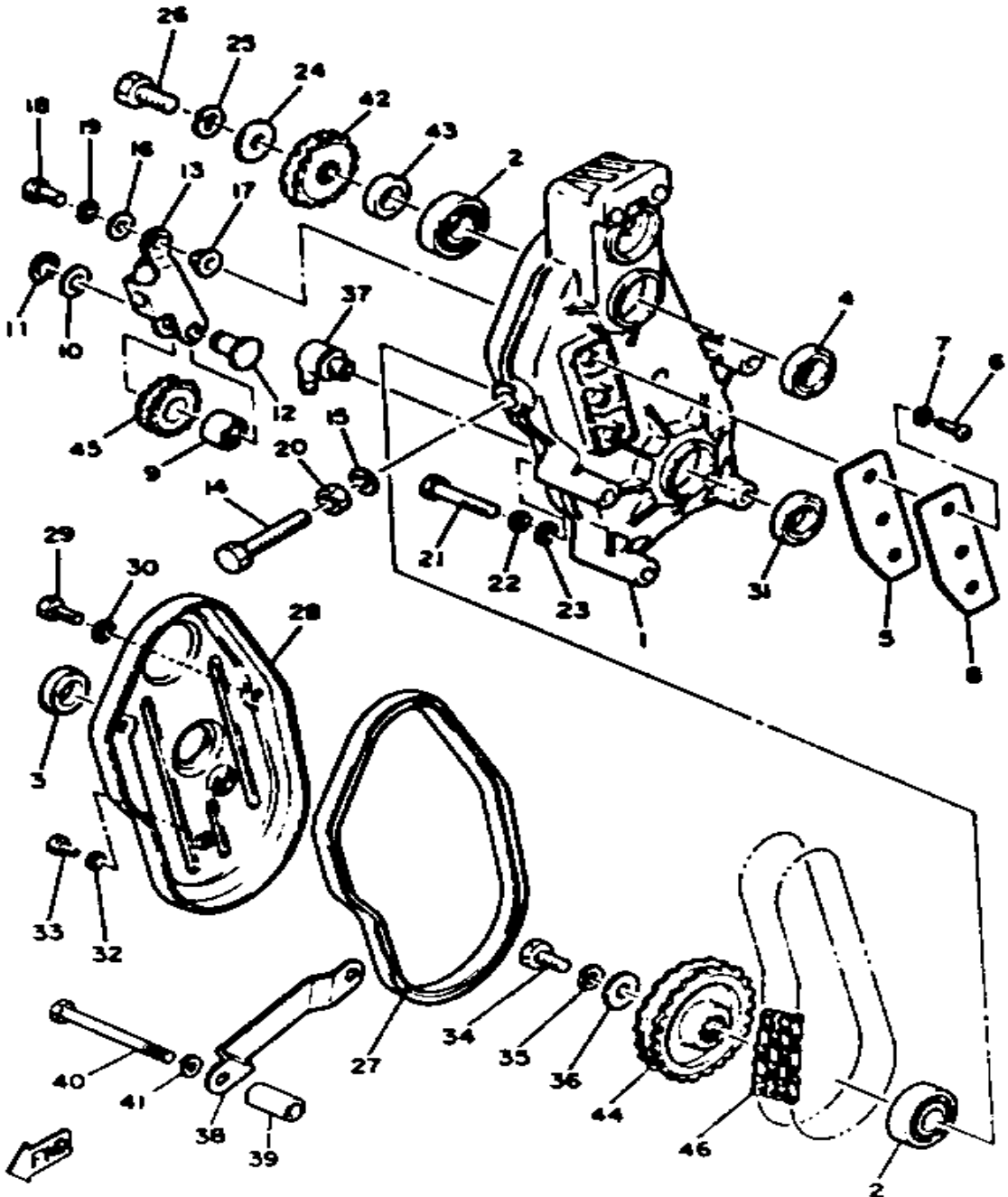


Ref. No.	Part Number	Description	Qty	Remarks
1	8K4-W4751-01-00	AXLE, FRONT	1	
2	8K1-47531-00-00	WHEEL, SPROCKET 1	2	
3	8K1-47526-00-00	COLLAR	2	
4	90113-06039-00	BOLT, SET	2	
5	8K4-47551-00-00	HOUSING, FRONT AXLE	1	
6	93306-00420-00	BEARING (B6004)	1	
7	97011-08016-00	BOLT	3	
8	92990-08100-00	WASHER	3	
9	90208-22001-00	WASHER, CONICAL SPRING ..	1	
10	90170-22094-00	NUT	1	

Not For Resale

www.SmallEngineDiscount.com

TRACK DRIVE 2

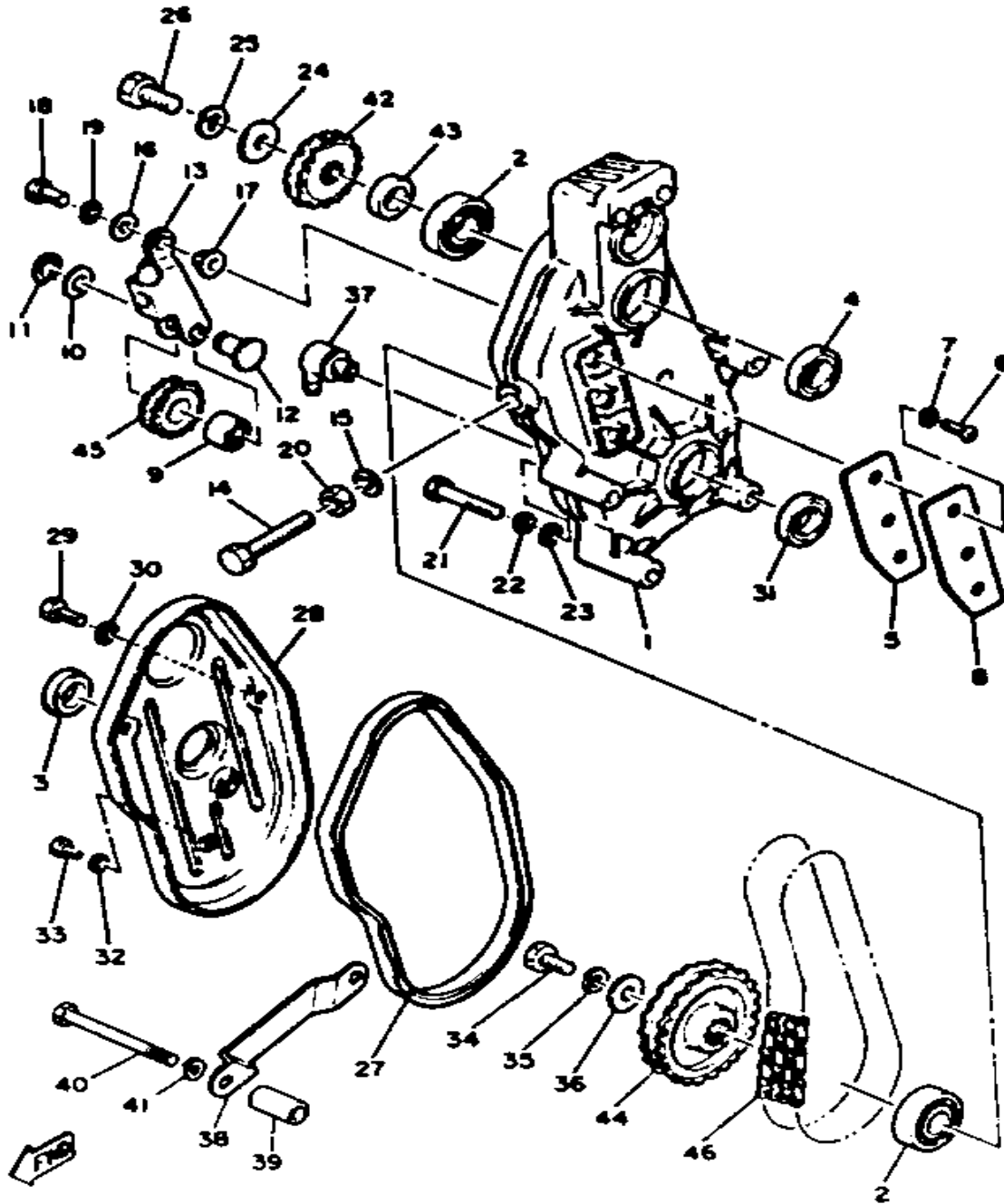


Ref. No.	Part Number	Description	Qty	Remarks
1	8K4-47541-00-00	HOUSING, CHAIN	1	
2	93306-20570-00	BEARING	2	
3	148-22315-00-00	CAP	1	
4	93102-27204-00	OIL SEAL	1	
5	86K-47592-00-00	GASKET (8K4-47592-00)	1	
6	98503-06014-00	SCREW, PAN HEAD (92502-06016)	3	
7	92995-06100-00	WASHER, SPRING	3	
8	8K4-47591-00-00	PLATE	1	
9	93315-21227-00	BEARING	1	
10	90201-12631-00	WASHER, PLATE	1	
11	99009-12400-00	CIRCLIP	1	
12	90249-12135-00	PIN, SPEC'L SHAPE	1	
13	8K4-47613-00-00	HOLDER	1	
14	90101-10357-00	BOLT	1	
15	90210-10004-00	WASHER, SEAL	1	
16	92990-08200-00	WASHER, PLAIN	2	
17	90387-08301-00	COLLAR	1	
18	97013-08025-00	BOLT	1	
19	92990-08100-00	WASHER	1	
20	95303-10700-00	NUT	1	
21	97021-08065-00	BOLT	2	
22	92990-08100-00	WASHER	2	
23	92901-08600-00	WASHER	2	
24	90201-140A6-00	WASHER, PLATE	1	
25	92901-14100-00	WASHER, SPRING	1	
26	90101-14468-00	BOLT	1	
27	8K4-47558-00-00	RING, HOUSING	1	
28	8K4-47543-00-00	CAP, HOUSING	1	

CONTINUED ON NEXT FRAME ►

Not For Resale
www.SmallEngineDiscount.com

TRACK DRIVE 2

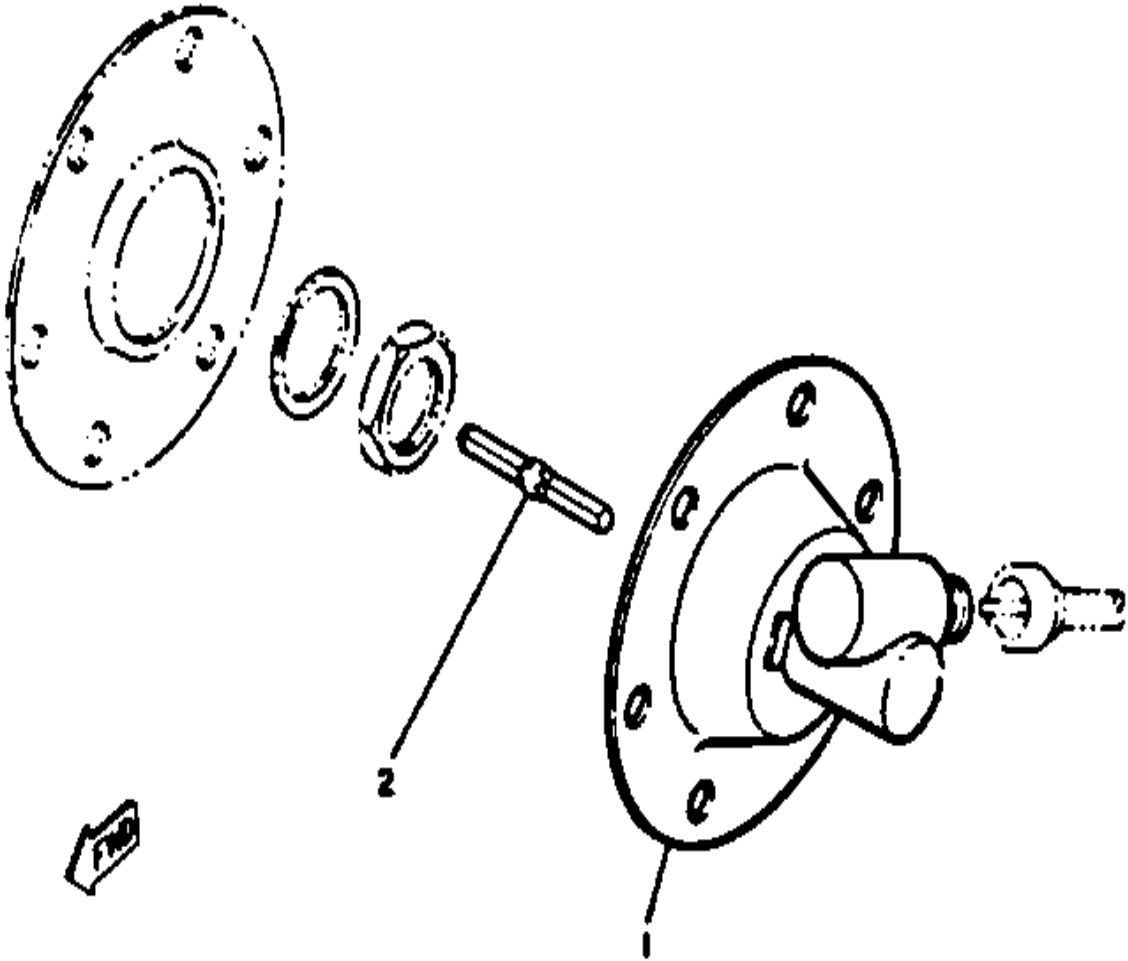


Ref. No.	Part Number	Description	Qty	Remarks
29	97313-08018-00	BOLT, HEXAGON (97301-08016)	3	
30	90210-08002-00	WASHER, SEAL	3	
31	93102-25081-00	OIL SEAL	1	
32	90210-06006-00	WASHER, SEAL	1	
33	97011-06010-00	BOLT	1	
34	97011-10025-00	BOLT	1	
35	92990-10100-00	WASHER, SPRING	1	
36	90201-10322-00	WASHER, PLATE	1	
37	8E4-24461-00-00	PIPE, JOINT	1	
38	8K4-47565-00-00	STAY 1	1	
39	90387-101A1-00	COLLAR	2	
40	97023-08090-00	BOLT (97321-08090)	2	
41	92990-08100-00	WASHER	2	
42	(8K4-17682-70-00)	SPRKT, CHAIN DR 17T	1	U.R.
	(8K4-17682-90-00)	SPRKT, CHAIN DR 19T	1	U.R.
	8K4-17682-50-00	SPROCKET, chain drive (15T)	1	U.R.
	8K4-17682-80-00	SPROCKET, chain drive (18T)	1	U.R. STD
	ø8K-41768-26-00	SPROCKET, chain drive (16T)	1	U.R.
43	90387-25798-00	COLLAR	1	
44	(8K4-47548-90-00)	SPROCKET, CHN DRVN	1	U.R. STD
	ø8K-44758-70-00	SPROCKET, chain driven (31T)	1	U.R.
	ø8K-44758-71-00	SPROCKET, chain driven (33T)	1	U.R.
	ø8K-44758-72-00	SPROCKET, chain driven (35T)	1	U.R.
45	8K4-47612-00-00	WHEEL	1	
46	94880-04064-00	CHAIN (DID35TS-2 64L)	1	U.R. STD
	94880-04066-00	CHAIN (DID35TS-2 66L)	1	U.R.
	94880-04070-00	CHAIN (DID-35TS-2 70L)	1	U.R.
	ø94-88004-06-80	CHAIN (DID35TS-2 68L)	1	U.R.

Not For Resale

www.SmallEngineDiscount.com

SPEEDOMETER UNIT

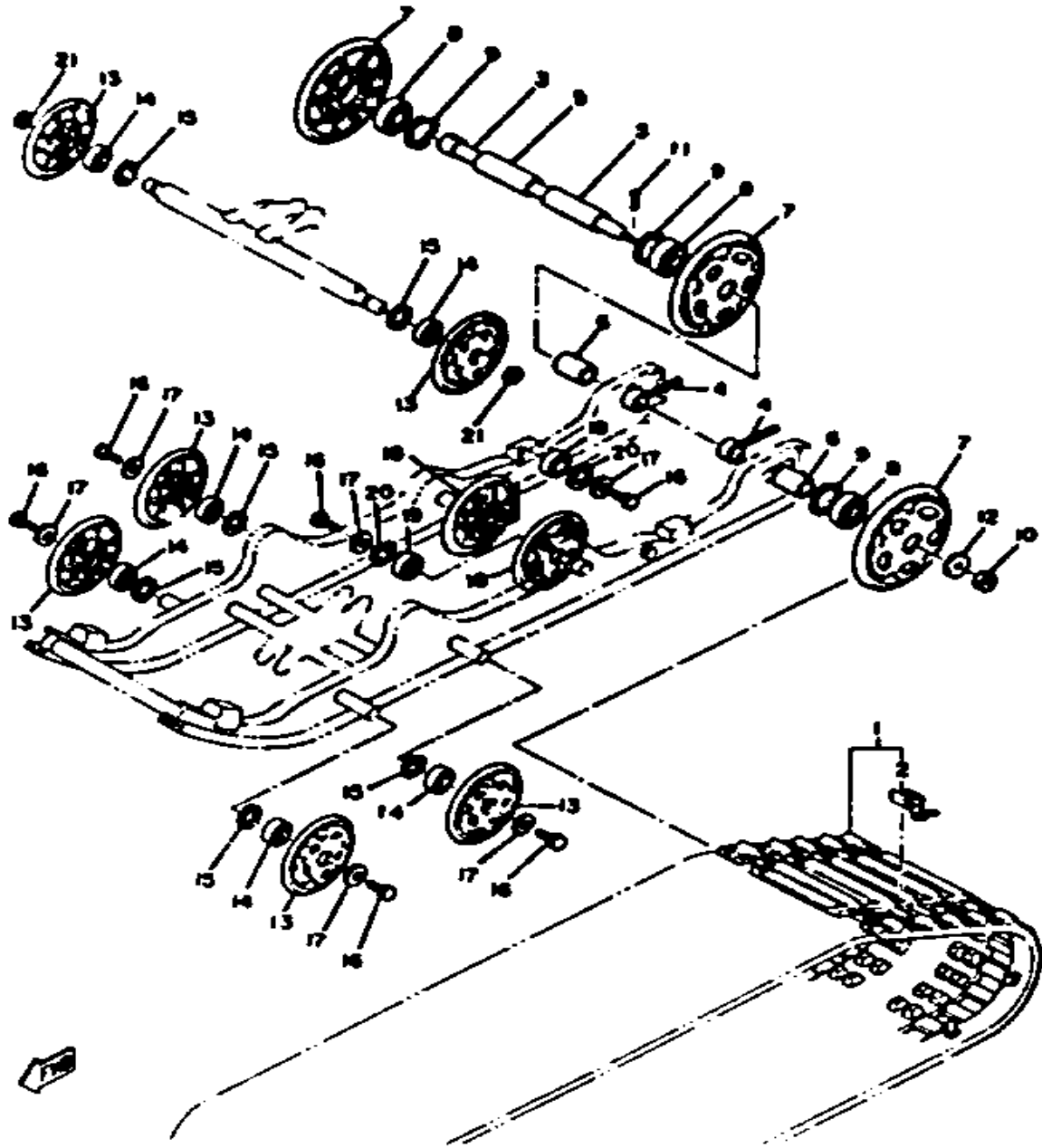


Ref. No.	Part Number	Description	Qty	Remarks
1	8K4-47700-00-00	METER GEAR HOUSING COMP.	1	
2	8K4-47715-00-00	JOINT	1	

Not For Resale

www.SmallEngineDiscount.com

TRACK SUSPENSION 1

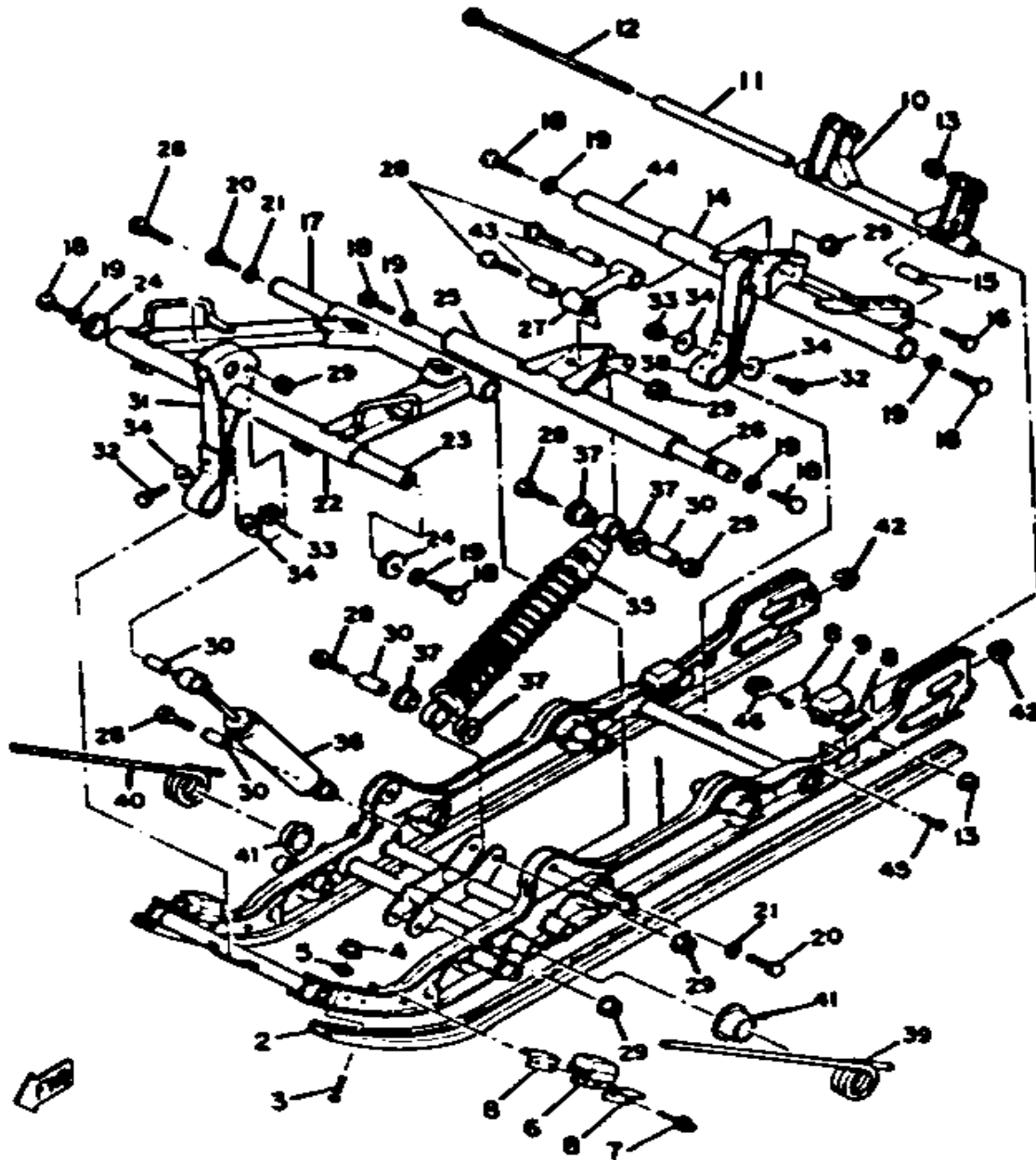


Ref. No.	Part Number	Description	Qty	Remarks
1	8K4-47110-00-00	TRACK ASS'Y	1	
2	8A5-47115-00-00	. METAL, SLIDE	70	
3	(8K2-47521-02-00)	AXLE, REAR	1	
4	8K2-47479-01-00	COLLAR 3	2	
5	90387-20756-00	COLLAR	2	
6	90387-21757-00	COLLAR	2	
7	8K2-47530-00-00	GUIDE WHEEL COMP.	3	
8	93306-20417-00	BEARING (B62042RS)	3	
9	99009-47500-00	CIRCLIP	3	
10	95601-12100-00	NUT, U	1	
11	91401-30020-00	PIN, COTTER	1	
12	90201-120A5-00	WASHER, PLATE	1	
13	87M-47320-00-00	SUSPENSION WHEEL COMP.	6	
14	93306-00441-00	BEARING (89A) (B6004RS)	6	
15	99009-42500-00	CIRCLIP	6	
16	90109-08559-00	BOLT	6	
17	90201-08681-00	WASHER, PLATE	6	
18	87M-47320-00-00	SUSPENSION WHEEL COMP.	2	
19	93306-00441-00	BEARING (89A) (B6004RS)	2	
20	99009-42500-00	CIRCLIP	2	
21	99009-20400-00	CIRCLIP	2	

Not For Resale

www.SmallEngineDiscount.com

TRACK SUSPENSION 2



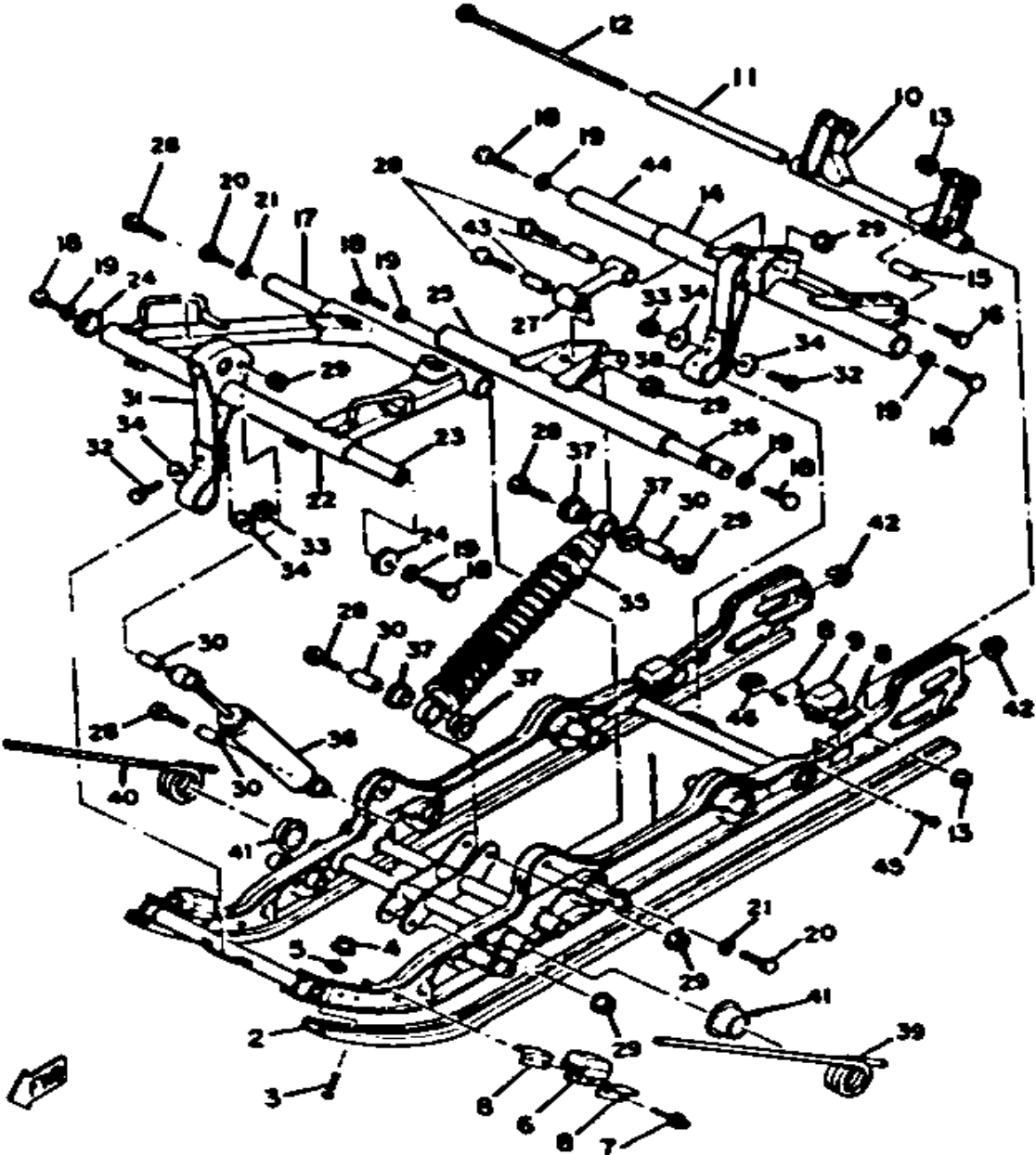
Ref. No.	Part Number	Description	Qty	Remarks
1	(8K4-47410-00-00)	FRAME SLIDING	1	
2	8K2-47421-00-XX	RUNNER, SLIDING 1	2	
3	92702-08060-00	SCREW, FLAT HEAD	2	
4	95712-08300-00	NUT, LOCK	2	
5	92990-08200-00	WASHER, PLAIN	2	
6	8K2-47457-00-00	DAMPER 2	2	
7	90267-48062-00	RIVET, BLIND	4	
8	8K2-47458-01-00	PLATE, DAMPER	8	
9	8K2-47456-00-00	DAMPER 1	2	
10	(8K2-47417-00-00)	BRACKET 3	1	
11	90387-08632-00	COLLAR	1	
12	97321-08245-00	BOLT, HEXAGON (97101-08245)	1	
13	95712-08300-00	NUT, LOCK	3	
14	8K2-47332-01-00	ARM, PIVOT 2	1	
15	90387-08754-00	COLLAR	2	
16	90101-08557-00	BOLT	2	
17	8K2-47485-00-00	SHAFT 3	1	
18	97013-10030-00	BOLT (8J7) (97303-10030)	6	
19	92901-10400-00	WASHER, EX.TOOTH	6	
20	97013-10030-00	BOLT (8J7) (97303-10030)	2	
21	92990-10100-00	WASHER, SPRING	2	
22	8K2-47331-00-00	ARM, PIVOT 1	1	
23	8A5-47465-02-00	SHAFT 1	1	
24	885-47341-00-00	SPACER	2	
25	8K2-47463-00-00	BRACKET 5	1	
26	8K2-47475-00-00	SHAFT 2	1	
27	8K2-47464-00-00	BRACKET 6	1	
28	90101-08557-00	BOLT	6	
29	95712-08300-00	NUT, LOCK	6	

CONTINUED ON NEXT FRAME ➤

Not For Resale

www.SmallEngineDiscount.com

TRACK SUSPENSION 2

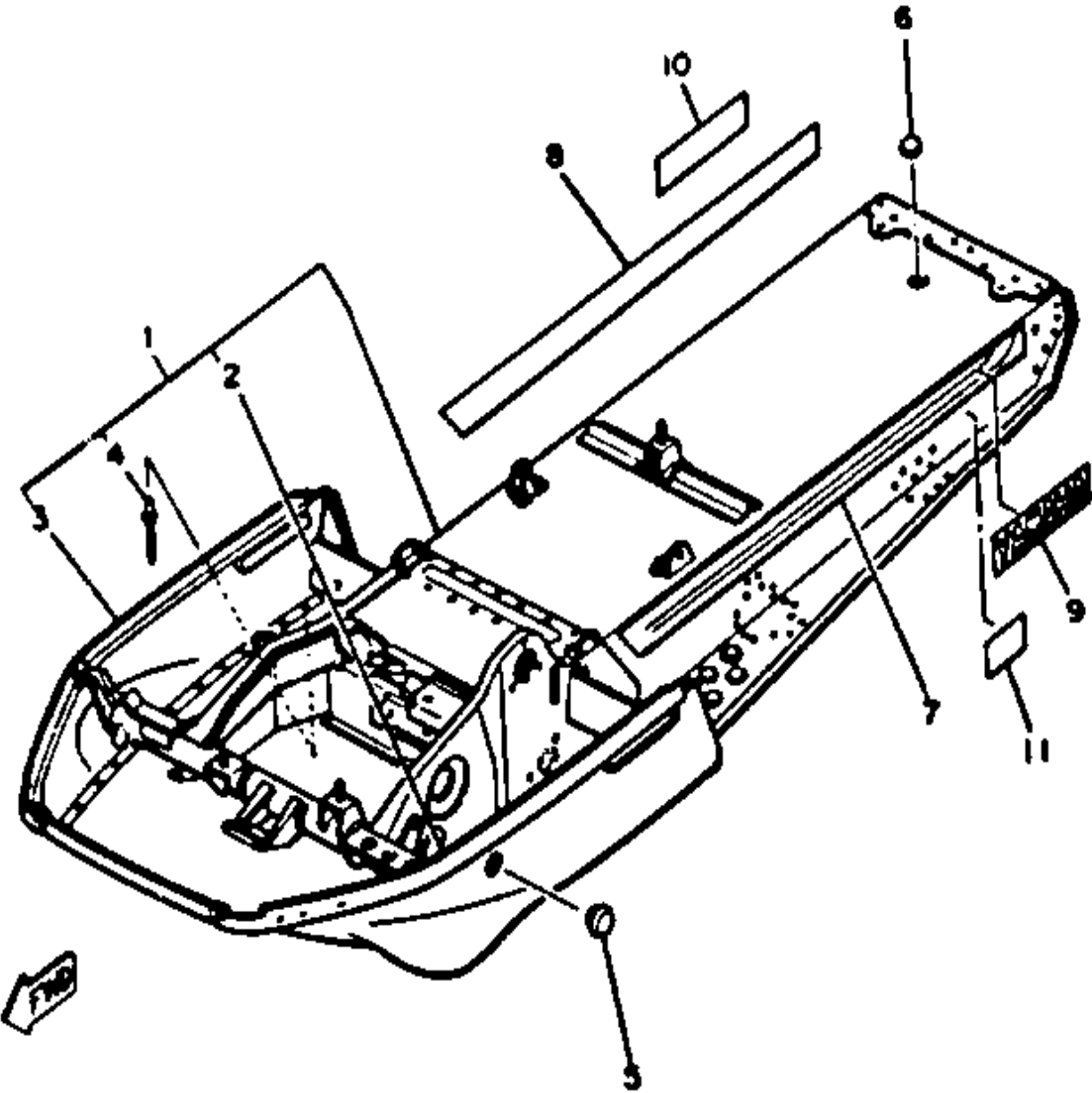


Ref. No.	Part Number	Description	Qty	Remarks
30	90387-08754-00	COLLAR	4	
31	8E3-47495-00-00	STOPPER 1	1	
32	97013-06035-00	BOLT	2	
33	95701-06300-00	NUT, NYLON	2	
34	90201-06407-00	WASHER, PLATE (90201-06747-00)	4	
35	8L8-47480-00-00	SHOCK ABSORBER	1	
36	8K4-47481-00-00	SHOCK ABSORBER 2	1	
37	90387-13758-00	COLLAR	4	
38	(8K2-47495-01-00)	STOPPER 1	1	
39	90508-80410-00	SPRING, torsion	1	
40	90508-80411-00	SPRING, torsion	1	
41	90387-30759-00	COLLAR	2	
42	95701-10300-00	NUT, FLANGE (95702-10300)	2	
43	90387-08775-00	COLLAR	2	
44	8K2-47465-00-00	SHAFT 1	1	
45	98501-05030-00	SCREW, PAN HEAD	4	
46	95701-05300-00	NUT, NYLON	4	

Not For Resale

www.SmallEngineDiscount.com

FRAME

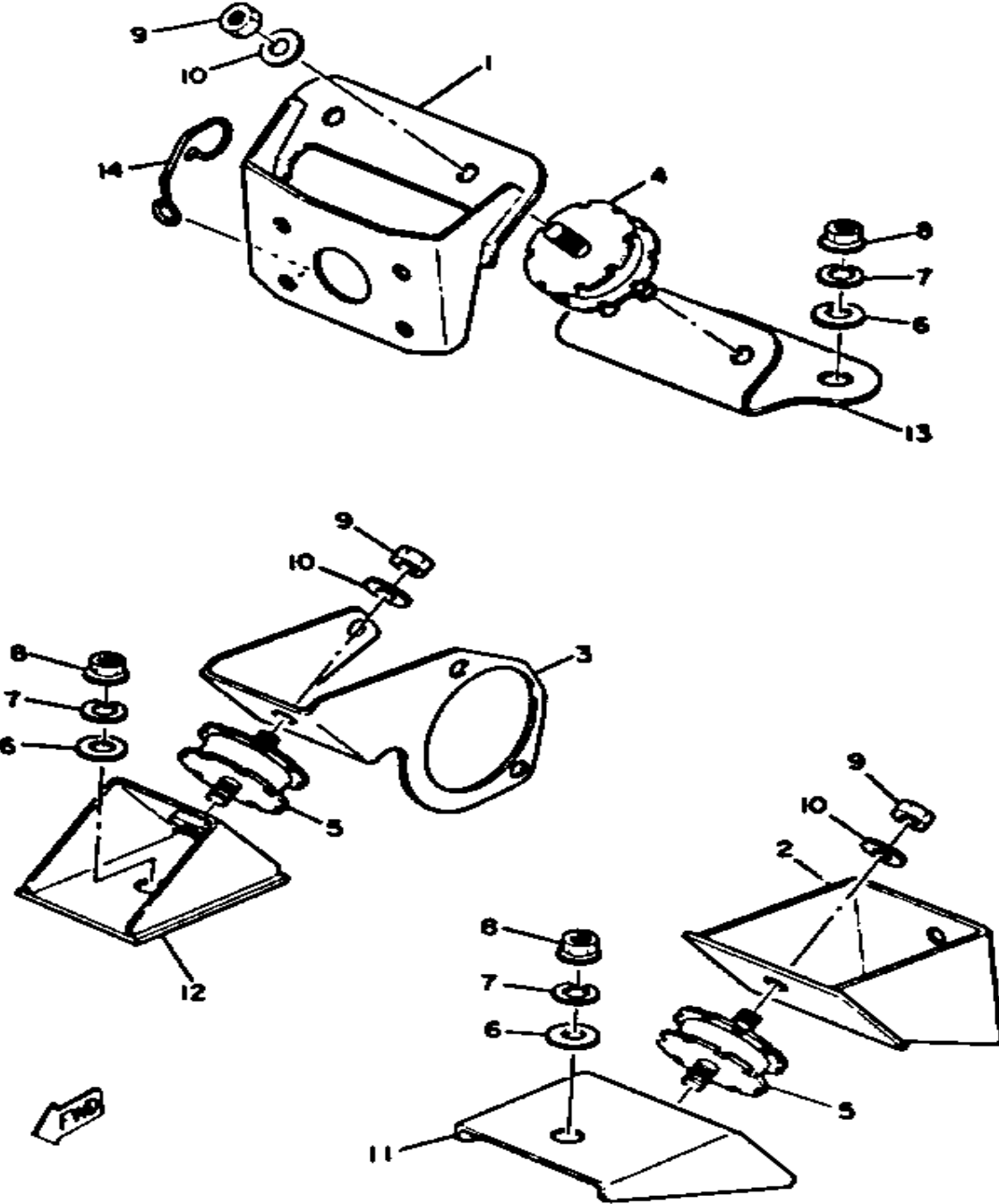


Ref. No.	Part Number	Description	Qty	Remarks
1	ø8K-42191-00-00	FRAME COMP.	1	
2	8K4-21982-01-00	. HOOD 1 (8K4-21982-00)	1	
3	8K4-21983-01-00	. HOOD 2	1	
4	90267-48060-00	. RIVET, BLIND	40	
5	90338-40099-00	PLUG	1	
6	810-77716-00-00	ORNAMENT, INSTRUMENT PANEL 2	1	
7	(8K4-77351-00-00)	EMBLEM 1	1	
8	(8K4-77352-00-00)	EMBLEM 2	1	
9	(8K4-77353-00-00)	EMBLEM 3	1	
10	(8K4-77354-00-00)	EMBLEM 4	1	
11	8K2-77742-00-00	INDICATOR 2	1	

Not For Resale

www.SmallEngineDiscount.com

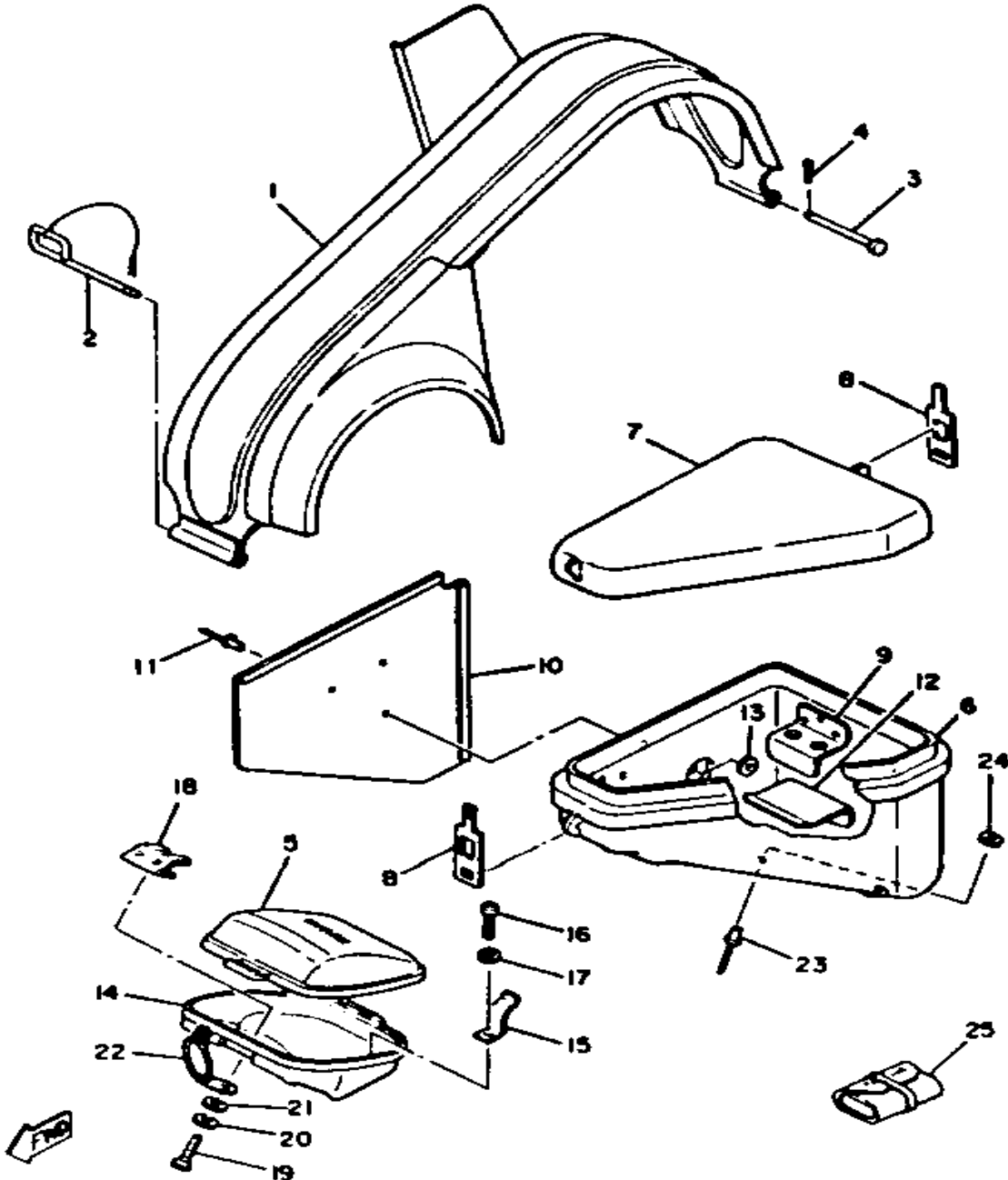
ENGINE BRACKET



Ref. No.	Part Number	Description	Qty	Remarks
1	8K4-21411-00-00	BRACKET, ENGINE 1	1	
2	8K4-21419-00-00	BRACKET, ENGINE 2	1	
3	8K4-21429-00-00	BRACKET, ENGINE 3	1	
4	8H8-21486-01-00	DAMPER 2	2	
5	8K4-21486-00-00	DAMPER 2	2	
6	90201-10321-00	WASHER, PLATE	4	
7	92990-10100-00	WASHER, SPRING	4	
8	95701-10500-00	NUT, FLANGE (95702-10500)	4	
9	95303-10600-00	NUT (95301-10600)	4	
10	92990-10600-00	WASHER, PLATE	4	
11	8H8-21417-01-00	BRACKET, FRT LWR 1	1	
12	8H8-21418-01-00	BRACKET, FRONT LOWER 2	1	
13	8K4-21427-00-00	BRACKET, REAR LWR 1	1	
14	90465-06100-00	CLAMP	1	

Not For Resale
www.SmallEngineDiscount.com

GUARD - LUGGAGE BOX

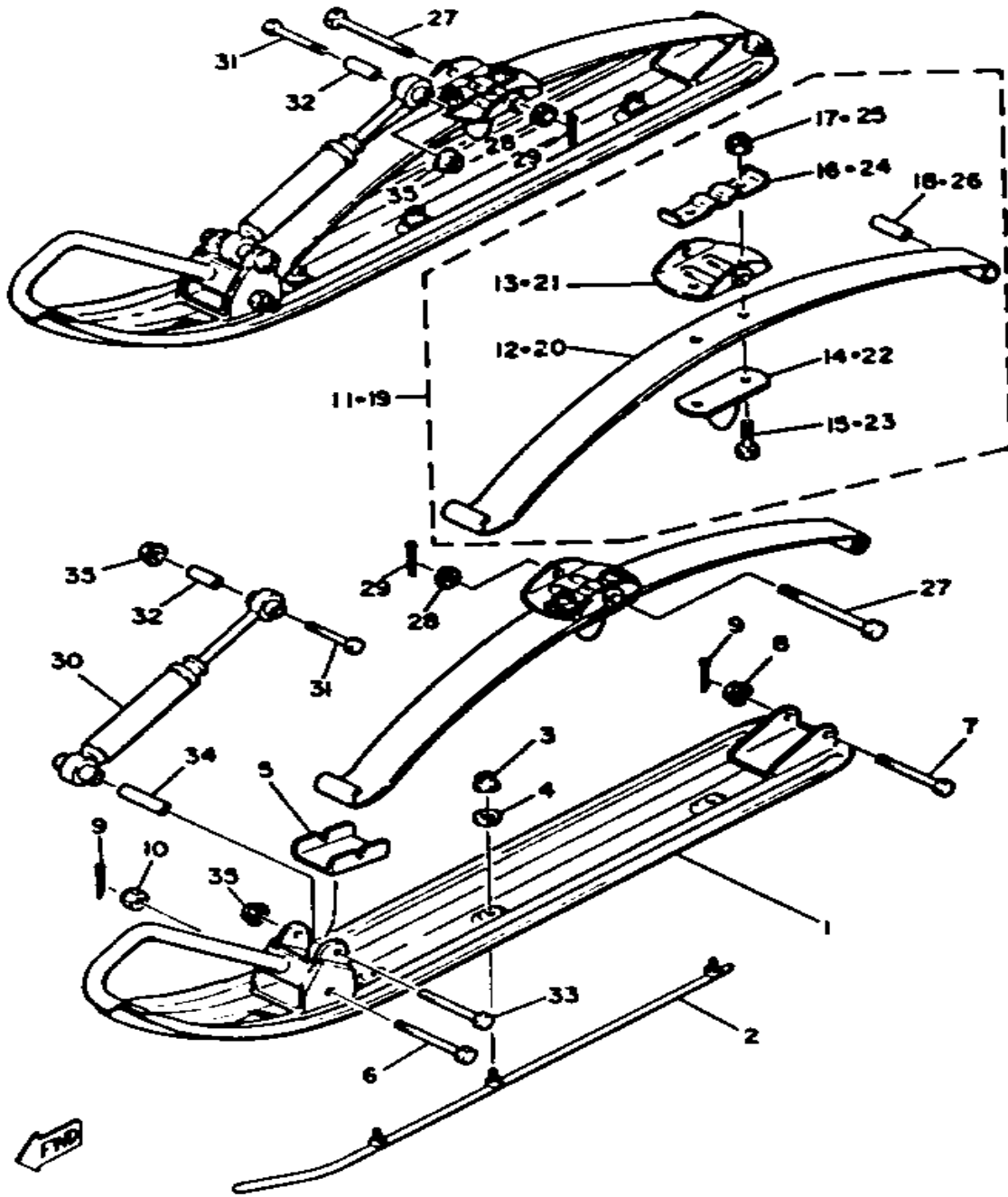


Ref. No.	Part Number	Description	Qty	Remarks
1	ø8K-47731-10-00	GUARD, drive	1	
2	8F3-77327-00-00	SHAFT	1	
3	91701-06082-00	PIN, CLEVIS	1	
4	90468-18008-00	CLIP	1	
5	1T4-2177E-00-00	LID	1	
6	8H8-77381-00-00	BOX, TOOL	1	
7	8H8-77382-00-00	LID, TOOL BOX	1	
8	J10-14436-00-00	HOOK	2	
9	8H8-77376-00-00	BRACKET, SPARK PLUG	1	
10	ø8H-87737-30-10	PROTECTOR	1	
11	90267-48032-00	RIVET, BLIND	8	
12	8H8-28175-00-00	HOLDER, TOOL	1	
13	90201-04325-00	WASHER, PLATE	3	
14	1T4-2177A-00-00	BOX	1	
15	ø8H-92194-50-00	BRACKET, tool box fitting	2	
16	98503-06014-00	SCREW, PAN HEAD (92502-06016)	2	
17	92995-06100-00	WASHER, SPRING	2	
18	8H9-77376-00-00	BRACKET, SPARK PLUGPLUG	1	
19	98503-06014-00	SCREW, PAN HEAD (92502-06016)	1	
20	92995-06100-00	WASHER, SPRING	1	
21	92901-06600-00	WASHER	1	
22	8K4-77386-00-00	HOOK 1	1	
23	90267-48086-00	RIVET, BLIND	1	
24	92990-05200-00	WASHER, PLAIN	1	
25	8G6-28100-00-00	TOOL KIT (8G6-28100-10)	1	

Not For Resale

www.SmallEngineDiscount.com

SKI

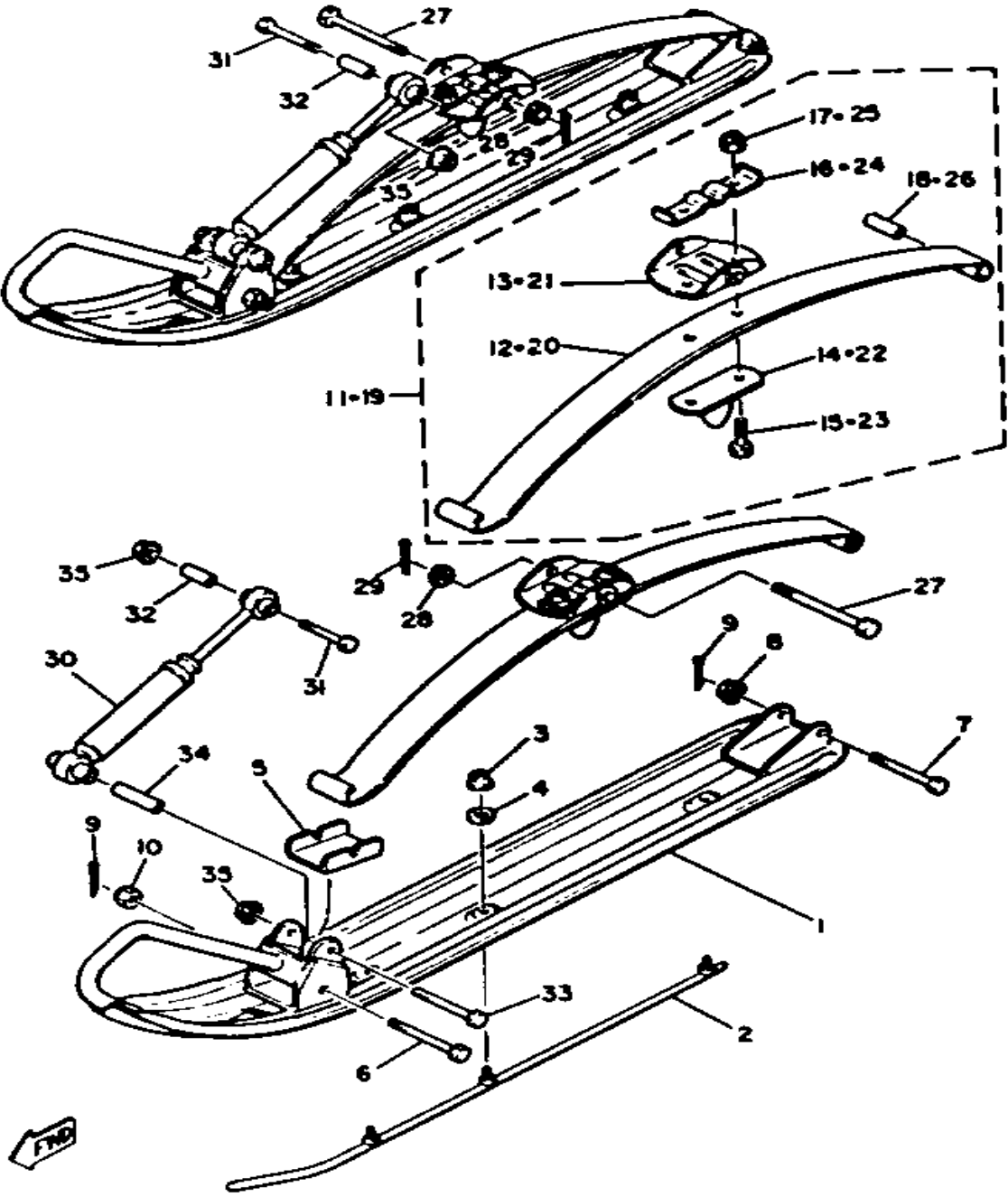


Ref. No.	Part Number	Description	Qty	Remarks
1	8K4-23710-00-00	SKI 1	2	
2	8K4-23731-00-XX	SKI RUNNER, 1	2	
3	95716-08300-00	NUT, FLANGE	6	
4	92906-08200-00	WASHER	6	
5	8K4-23735-00-00	PLATE, WEAR 1	2	
6	90102-08028-00	BOLT, WITH HOLE	2	
7	90102-08027-00	BOLT, WITH HOLE	2	
8	95716-08300-00	NUT, FLANGE	2	
9	91490-20020-00	PIN, COTTER	4	
10	95616-08100-00	NUT, U	2	
11	8K4-23760-01-00	SPRING ASSEMBLY 1	1	
12	8K4-23761-00-00	. LEAF 1	1	
13	8K4-23766-00-00	. SADDLE 1	1	
14	878-23768-00-00	. SEAT, SPRING 1	1	
15	90109-105E7-00	. BOLT	2	
16	90215-10155-00	. WASHER, LOCK	1	
17	90185-10085-00	. NUT, SELF-LOCKING	2	
18	90387-08478-00	. COLLAR	1	
19	8K4-23770-01-00	SPRING ASSEMBLY 2	1	
20	8K4-23761-00-00	. LEAF 1	1	
21	8K4-23766-00-00	. SADDLE 1	1	
22	878-23768-00-00	. SEAT, SPRING 1	1	
23	90109-105E7-00	. BOLT	2	
24	90215-10155-00	. WASHER, LOCK	1	
25	90185-10085-00	. NUT, SELF-LOCKING	2	
26	90387-08478-00	. COLLAR	1	
27	90102-12036-00	BOLT, WITH HOLE	2	
28	90171-12040-00	NUT, CASTLE	2	
29	91401-30030-00	PIN, COTTER	2	

CONTINUED ON NEXT FRAME ►

Not For Resale
www.SmallEngineDiscount.com

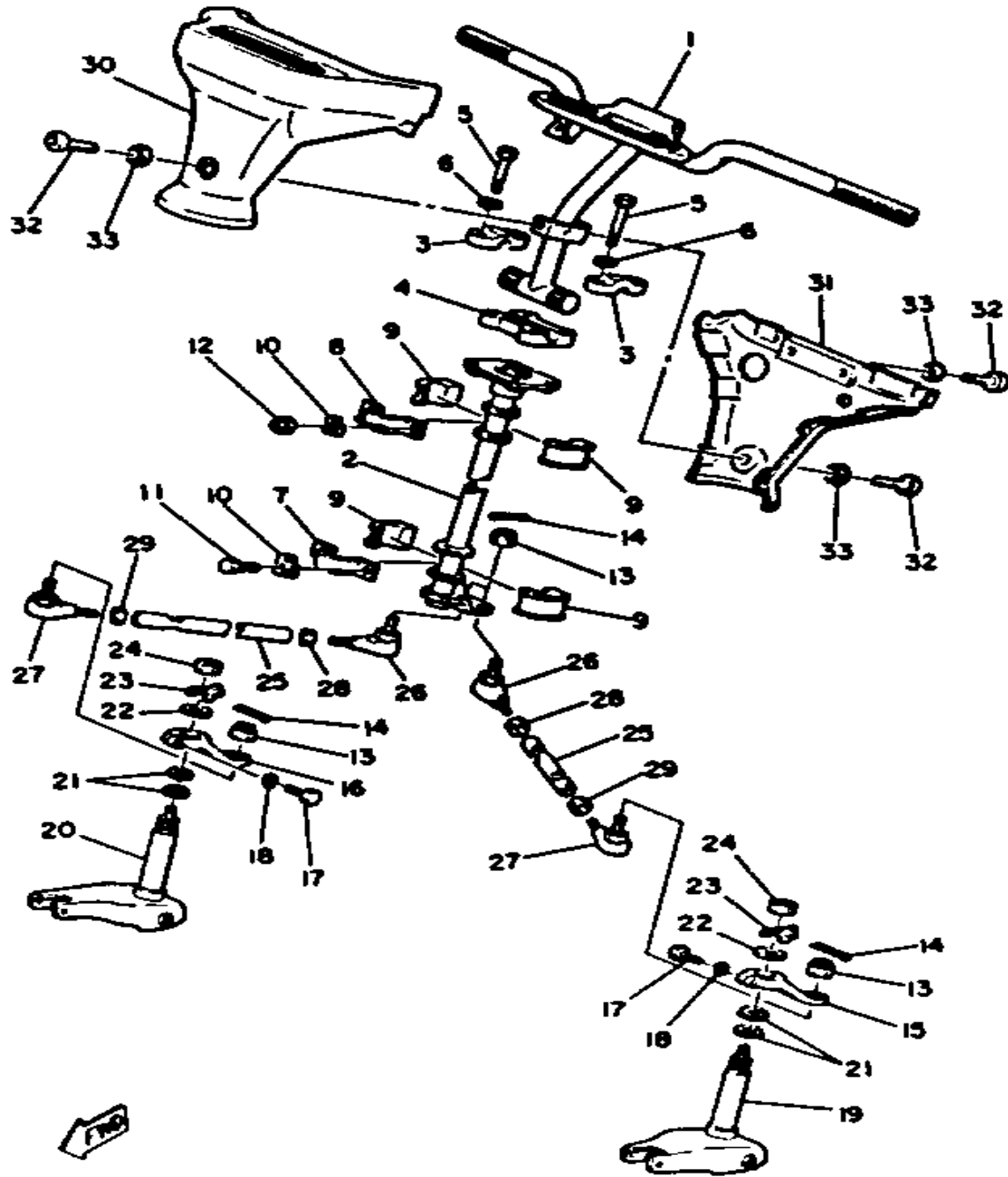
SKI



Ref. No.	Part Number	Description	Qty	Remarks
30	8V8-23350-00-00	SHOCK ABSORBER ASSEMBLY	2	
31	97026-08055-00	BOLT	2	
32	90387-08262-00	COLLAR	2	
33	97026-08075-00	BOLT (97326-08075)	2	
34	90387-08224-00	COLLAR	2	
35	95716-08300-00	NUT, FLANGE	2	

Not For Resale
www.SmallEngineDiscount.com

STEERING



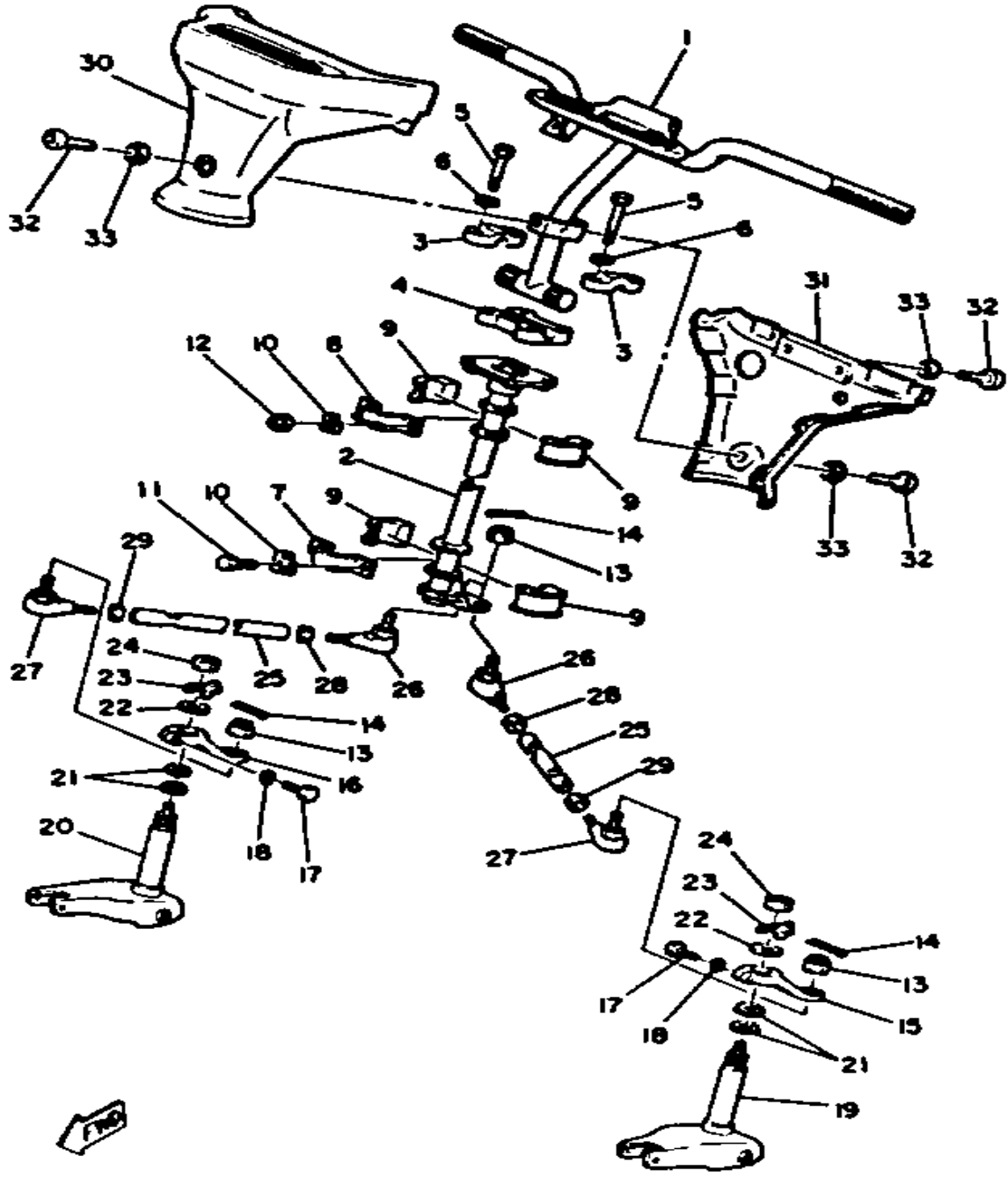
Ref. No.	Part Number	Description	Qty	Remarks
1	(8K4-23811-01-00)	COLUMN, STEERING	1	
2	8K4-23813-01-00	COLUMN, steering 2 (8K4-23813-00)	1	
3	1E6-23441-00-00	HOLDER, HANDLE UPR	2	
4	164-23441-00-38	HOLDER HANDLE UPR	1	
5	97321-08055-00	BOLT, HEXAGON	4	
6	92990-08100-00	WASHER	4	
7	84M-23868-00-00	BRACKET, STEERING LOWER	1	
8	84M-23872-00-00	HOLDER, BEARING	1	
9	8F3-23812-00-00	PLANE BEARING, STEERING	4	
10	90215-08143-00	WASHER, LOCK	4	
11	97313-08016-00	BOLT, HEXAGON	2	
12	95712-08300-00	NUT, LOCK	2	
13	95701-10300-00	NUT, FLANGE (95702-10300)	4	
14	91490-20020-00	PIN, COTTER	4	
15	8K4-23851-00-00	ARM, OUTSIDE 1	1	
16	8K4-23852-00-00	ARM, OUTSIDE 2	1	
17	97001-08025-00	BOLT (1NV)	2	
18	92990-08100-00	WASHER	2	
19	(8K4-23853-01-00)	COLUMN, SKI 1	1	
20	(8K4-23854-01-00)	COLUMN, SKI 2	1	
21	90206-20037-00	WASHER, WAVE	4	
22	90201-10752-00	WASHER, PLATE	2	
23	90215-10096-00	WASHER, LOCK	2	
24	95303-10600-00	NUT (95301-10600)	2	
25	8K4-23821-00-00	ROD, STEERING RELAY	2	
26	86X-23841-00-00	JOINT, UNIVERSAL 1	2	
27	86X-23845-00-00	JOINT, UNIVERSAL 2	2	
28	95303-10700-00	NUT	2	

CONTINUED ON NEXT FRAME ►

Not For Resale

www.SmallEngineDiscount.com

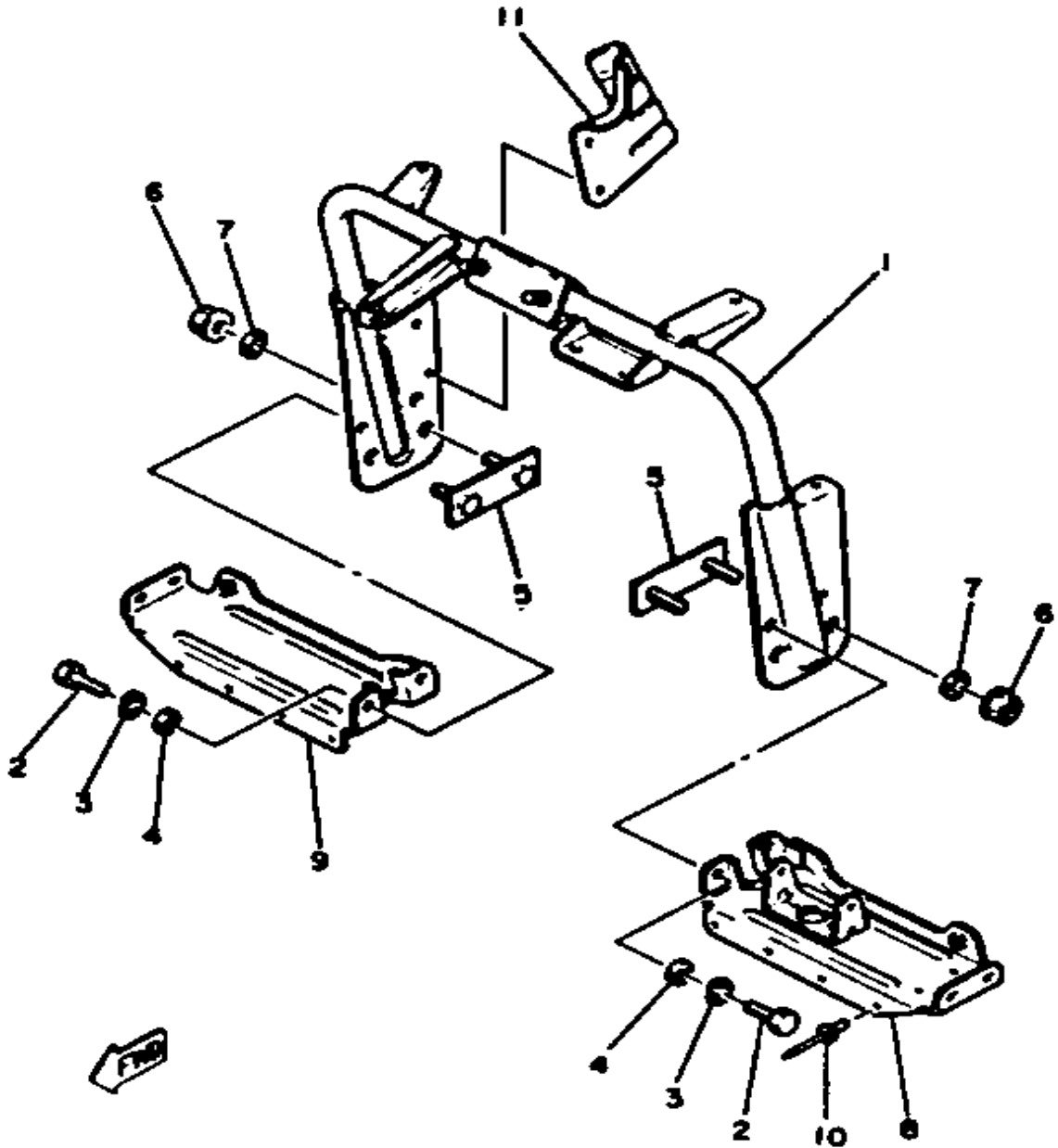
STEERING



Ref. No.	Part Number	Description	Qty	Remarks
29	90170-10186-00	NUT	2	
30	ø8K-42381-50-10	PAD, steering	1	
31	ø8K-42381-70-10	PAD, steering	1	
32	98906-05016-00	SCREW, BIND		
33	90387-06794-00	COLLAR	4	

Not For Resale
www.SmallEngineDiscount.com

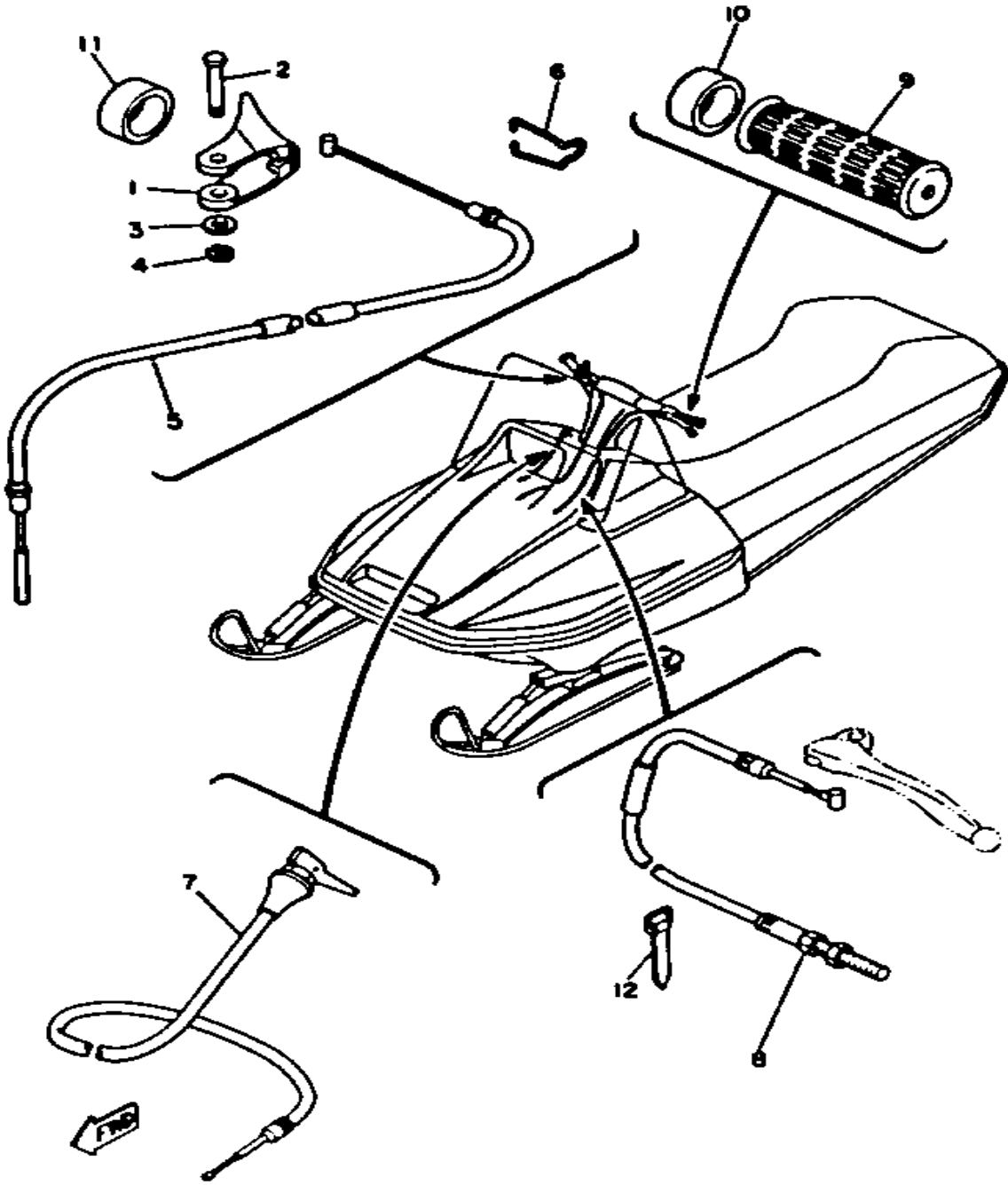
STEERING GATE



Ref. No.	Part Number	Description	Qty	Remarks
1	8K4-23871-00-00	GATE, STEERING	1	
2	97016-06016-00	BOLT	4	
3	92906-06100-00	WASHER, SPRING	4	
4	92906-06200-00	WASHER	4	
5	ø8K-42387-80-00	BRACKET 0	2	
6	95716-08300-00	NUT, FLANGE	4	
7	92906-08200-00	WASHER	4	
8	ø8K-42388-30-00	BRACKET 3	1	
9	ø8K-42388-40-00	BRACKET 4	1	
10	90267-48053-00	RIVET, BLIND	8	
11	8K4-23886-00-00	BRACKET 6	1	

Not For Resale
www.SmallEngineDiscount.com

CONTROL - CABLE

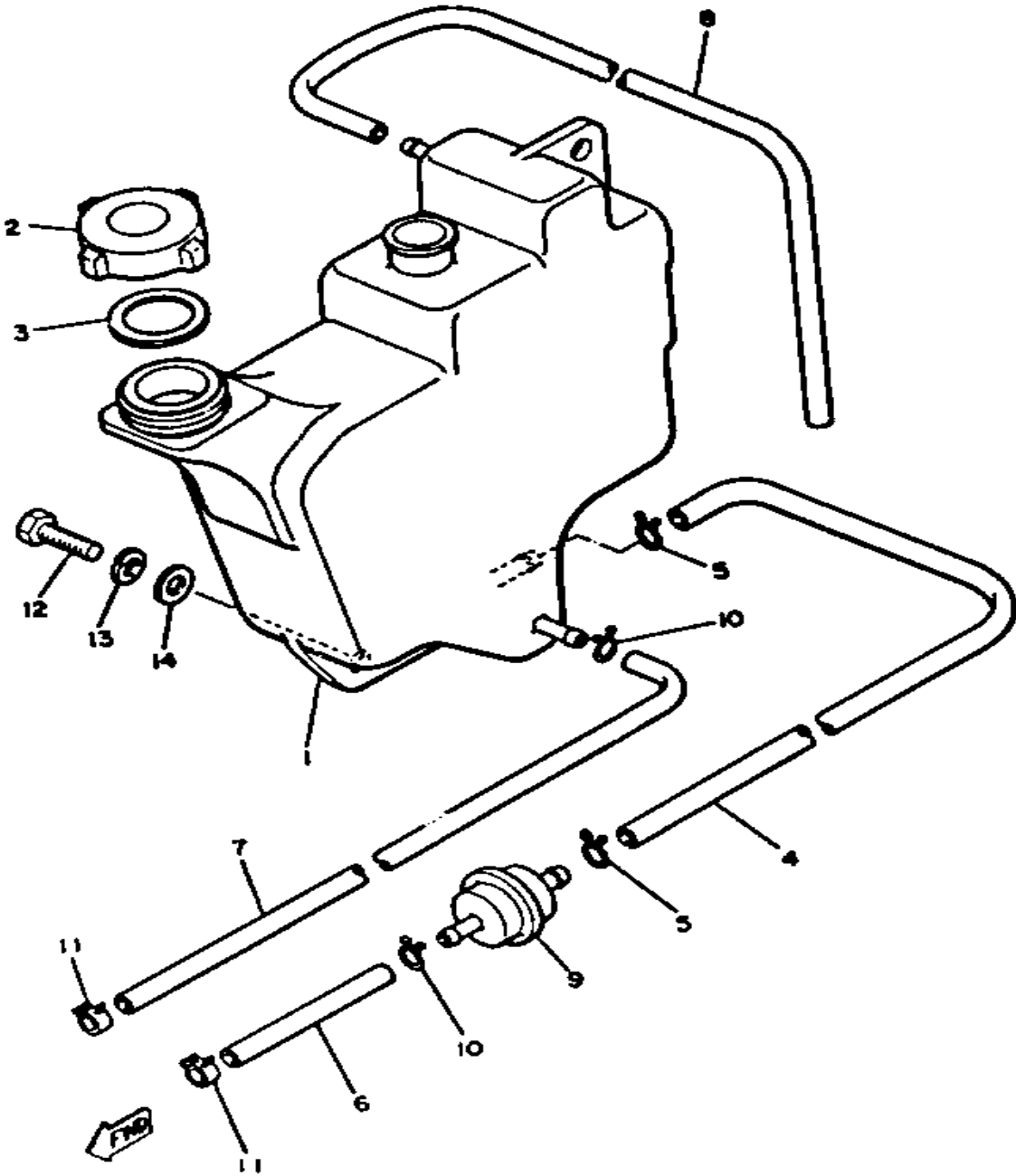


Ref. No.	Part Number	Description	Qty	Remarks
1	8K4-42138-00-00	LEVER, THROTTLE	1	
2	90249-06137-00	PIN, SPEC"L SHAPE	1	
3	92906-06200-00	WASHER	1	
4	93430-04002-00	CIRCLIP	1	
5	8K4-26311-00-00	CABLE, throttle 1	1	
6	90465-10150-00	CLAMP	1	
7	8K4-26331-00-00	CABLE, starter 1	1	
8	8K4-26340-00-00	CABLE, BRAKE	1	
9	801-26241-01-00	GRIP	2	
10	90387-22647-00	COLLAR	1	
11	90387-22726-00	COLLAR	1	
12	341-26397-01-00	BAND	1	

Not For Resale

www.SmallEngineDiscount.com

OIL TANK

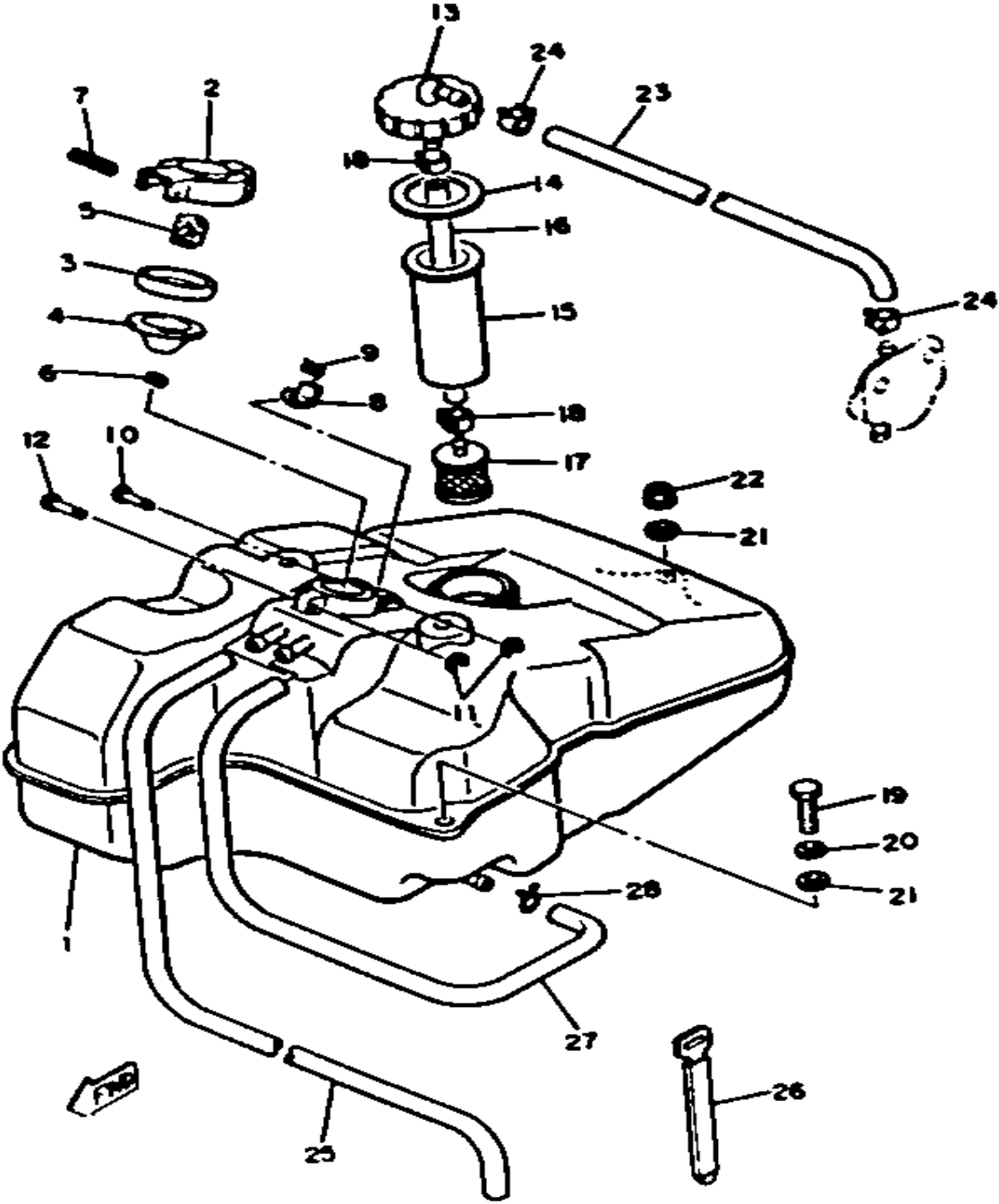


Ref. No.	Part Number	Description	Qty	Remarks
1	86U-21751-00-00	TANK, OIL (8L8-21751-00)	1	
2	863-21771-00-00	BODY, CAP	1	
3	90430-31003-00	GASKET	1	
4	90446-11157-00	HOSE	1	
5	90467-11009-00	CLIP	2	
6	90446-09011-00	HOSE	1	
7	91A20-05036-00	TUBE, FLEXIBLE	1	
8	90446-09013-00	HOSE (90446-09079)	1	
9	8G8-13410-00-00	STRAINER HOUSING ASSEMBLY	1	
10	90467-09005-00	CLIP, SCISSOR	2	
11	90467-09026-00	CLIP	2	
12	97023-06020-00	BOLT (3XF)	2	
13	92995-06100-00	WASHER, SPRING	2	
14	90201-06067-00	WASHER, PLATE	2	

Not For Resale

www.SmallEngineDiscount.com

FUEL TANK

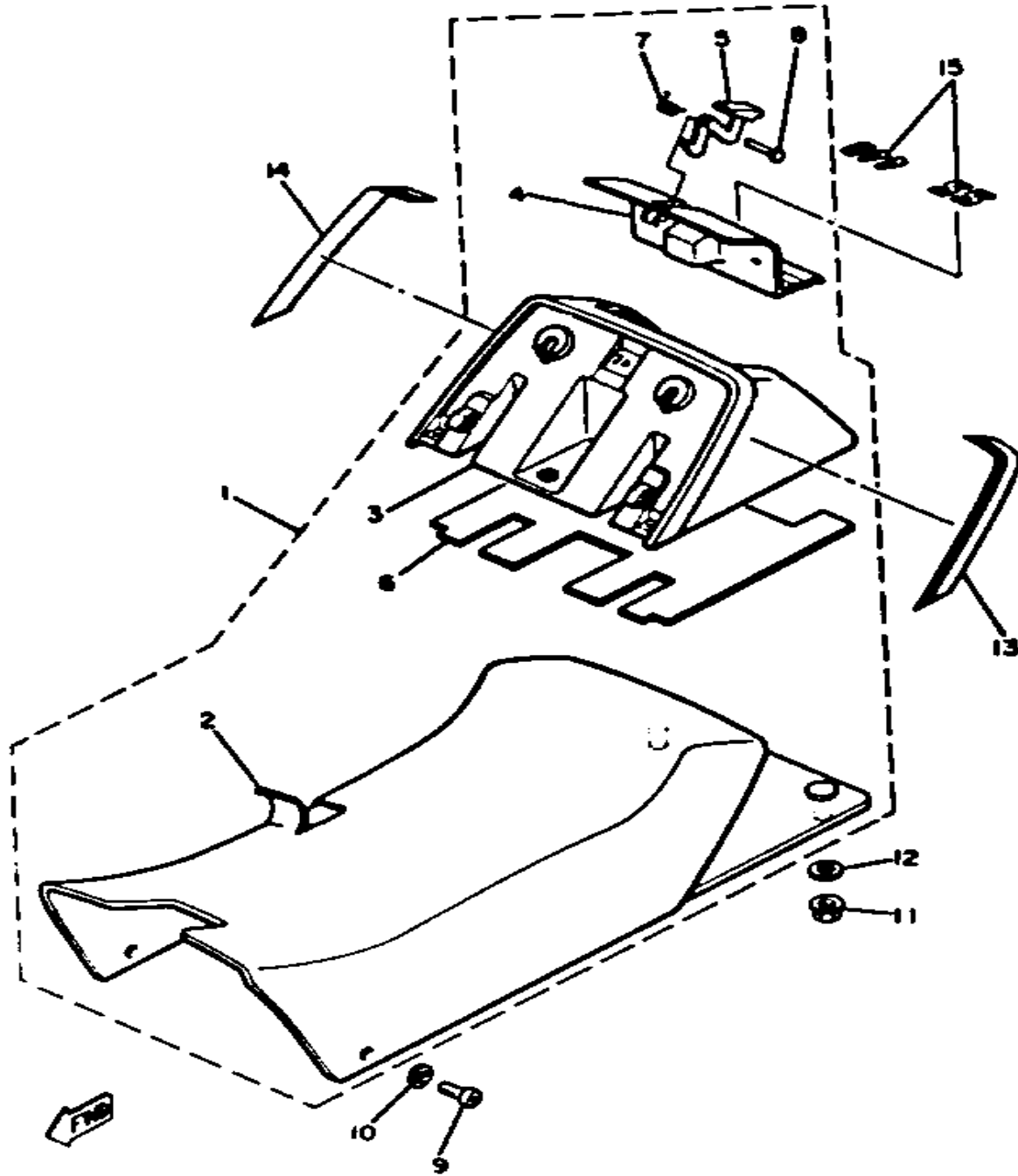


Ref. No.	Part Number	Description	Qty	Remarks
1	99999-01675-00	FUEL TANK SET	1	
2	813-24611-01-00	BODY, CAP	1	
3	813-24613-01-00	DISC, CAP	1	
4	8F7-24641-00-00	GASKET, CAP 1	1	
5	90501-20130-00	SPRING, COMPRESSION	1	
6	91609-30016-00	PIN, SPRING	1	
7	91609-25032-00	PIN, SPRING	1	
8	83M-24628-00-00	HOOK	1	
9	90508-10715-00	SPRING, TORSION	1	
10	90249-03017-00	PIN	1	
11	93430-02001-00	CIRCLIP	2	
12	90249-03016-00	PIN, SPEC'L SHAPE	1	
13	8K4-24335-00-00	PIPE, SUCTION 1	1	
14	8K4-24612-00-00	GASKET, CAP	1	
15	8K4-24336-00-00	PIPE, SUCTION 2	1	
16	90446-11081-00	HOSE	1	
17	8H5-24560-00-00	FILTER ASSEMBLY	1	
18	90467-11028-00	CLIP	2	
19	97001-08025-00	BOLT (1NV)	2	
20	92990-08100-00	WASHER	2	
21	90201-08730-00	WASHER, PLATE	3	
22	95712-08300-00	NUT, LOCK	1	
23	(90446-11166-00)	HOSE	1	
24	90467-11028-00	CLIP	2	
25	90446-09155-00	HOSE	1	
26	341-26397-01-00	BAND	2	
27	90446-09013-00	HOSE (90446-09079)	1	
28	90467-09005-00	CLIP, SCISSOR	1	

Not For Resale

www.SmallEngineDiscount.com

SEAT

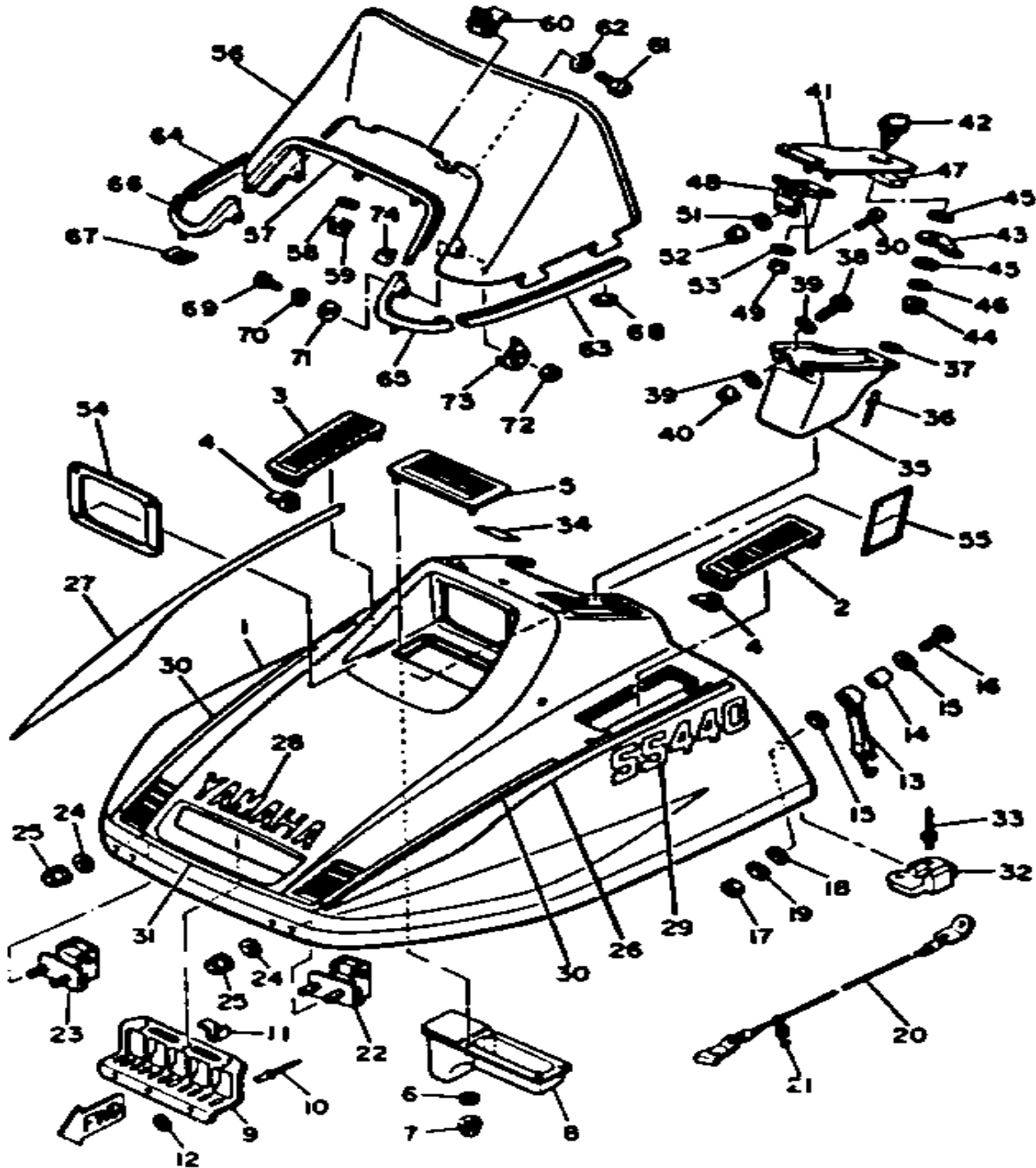


Ref. No.	Part Number	Description	Qty	Remarks
1	8L9-24710-00-00	SINGLE SEAT ASSEMBLY	1	
2	8K4-24711-00-00	. COVER, single seat	1	
3	8K4-2473R-00-00	. BOX 1	1	
4	8K4-2473T-00-00	. LID 1	1	
5	8K4-24776-00-00	. LEVER, seat	1	
6	8K4-24796-00-00	. COVER	1	
7	90508-12395-00	. SPRING, TORSION	1	
8	90243-04004-00	. PIN	1	
9	90154-06003-00	SCREW, BINDING	2	
10	90201-063J2-00	WASHER, PLATE	2	
11	95712-08300-00	NUT, LOCK	2	
12	90201-08748-00	WASHER, PLATE	2	
13	8K4-77113-00-00	ORNAMENT 4	1	
14	8K4-77114-00-00	ORNAMENT 5	1	
15	8K-47735-50-00	EMBLEM 5	1	

Not For Resale

www.SmallEngineDiscount.com

SHROUD - WINDSHIELD

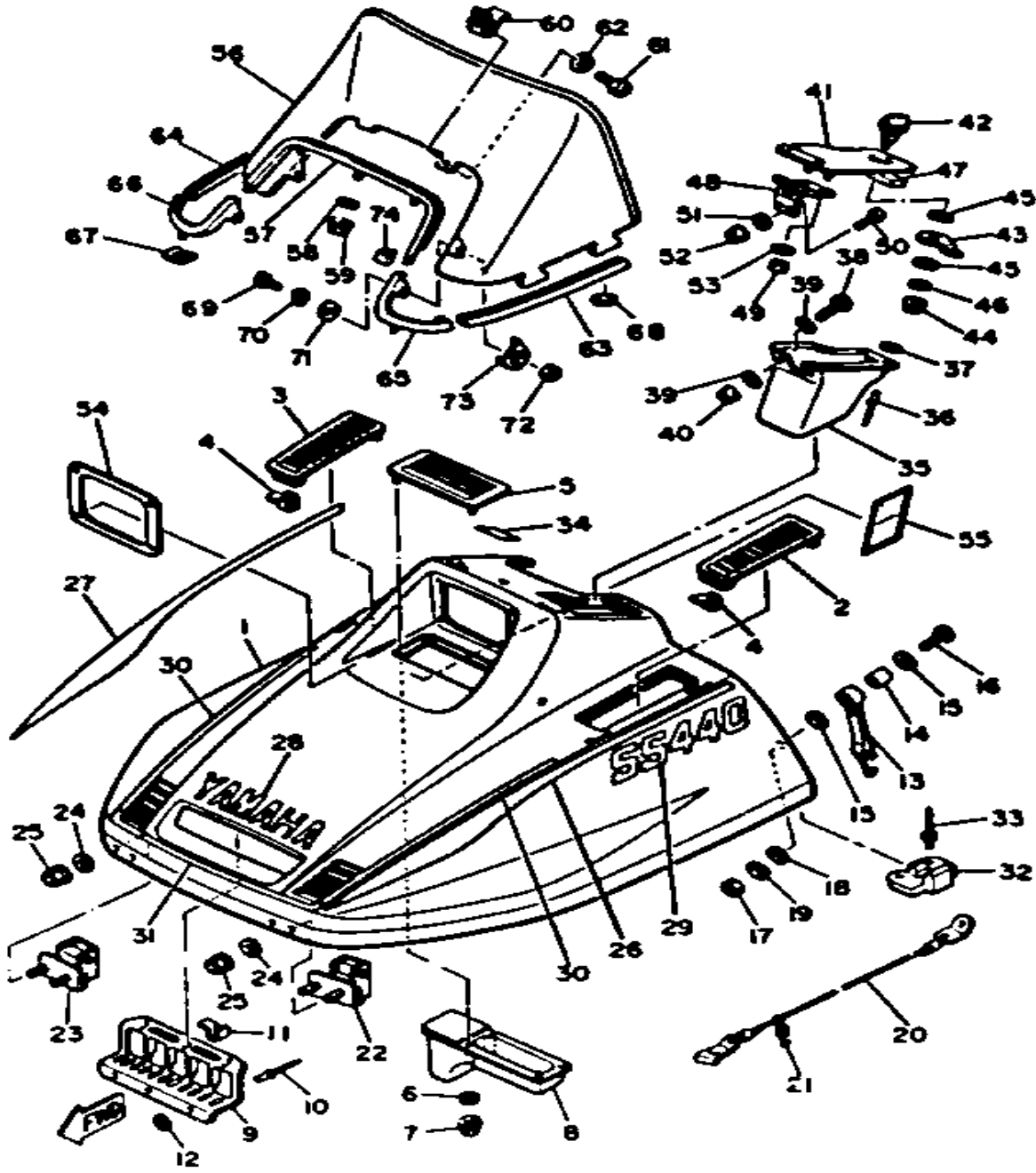


Ref. No.	Part Number	Description	Qty	Remarks
1	8K4-W7711-02-00	SHROUD ASS'Y (8K4-W7711-00)	1	
2	8K4-77133-00-00	LOUVER 3	1	
3	8K4-77134-00-00	LOUVER 4	1	
4	90468-05094-00	CLIP	4	
5	8K4-77109-01-00	LOUVER 5	1	
6	90201-05029-00	WASHER, PLATE	4	
7	95701-05300-00	NUT, NYLON	4	
8	8K4-7712E-00-00	INSULATOR	1	
9	8K4-77194-00-00	DUCT	1	
10	90267-48053-00	RIVET, BLIND	3	
11	90468-05176-00	CLIP	3	
12	90-20104-75-60	WASHER, plate	3	
13	8G5-77170-00-00	LATCH ASSEMBLY	2	
14	90560-07007-00	SPACER	2	
15	90201-063J2-00	WASHER, PLATE	4	
16	98906-06030-00	SCREW, BIND	2	
17	95380-06600-00	NUT	2	
18	92901-06600-00	WASHER	2	
19	92995-06100-00	WASHER, SPRING	2	
20	8K4-77118-00-00	STOPPER, SHROUD	1	
21	838-77159-00-00	CLAMP, ROD	1	
22	(8K4-77140-00-00)	HINGE ASSEMBLY	1	
23	8K4-7714A-00-00	HINGE ASS'Y 2	1	
24	90201-06072-00	WASHER, PLATE	4	
25	95701-06300-00	NUT, NYLON	4	
26	(8K4-77163-00-00)	ORNAMENT 1	1	
27	8K4-77164-00-00	ORNAMENT 2	1	
28	8K4-77357-00-00	EMBLEM 7	1	

CONTINUED ON NEXT FRAME ►

Not For Resale
www.SmallEngineDiscount.com

SHROUD - WINDSHIELD

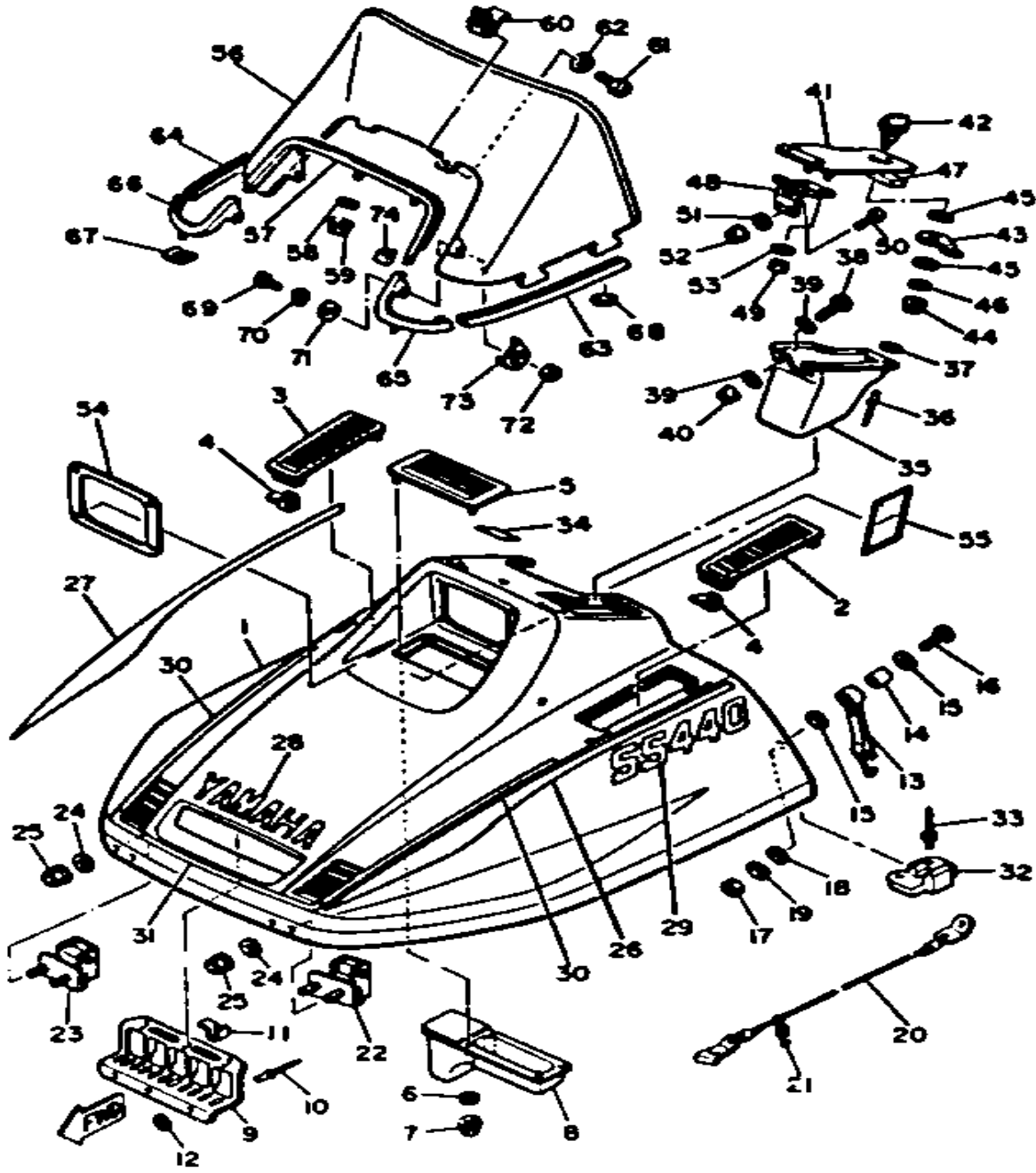


Ref. No.	Part Number	Description	Qty	Remarks
29	(8K4-77358-00-00)	EMBLEM 8	2	
30	ø8K-47728-10-00	STRIPE 1	2	
31	ø8K-47728-20-00	STRIPE 2	2	
32	8K4-77188-00-00	STOPPER	2	
33	90267-48086-00	RIVET, BLIND	4	
34	288-21659-00-00	LABEL, SAFETY	1	
35	8K4-77391-00-00	LUGGAGE BOX	1	
36	90267-48032-00	RIVET, BLIND	2	
37	90201-04325-00	WASHER, PLATE	2	
38	98516-06020-00	SCREW, PAN HEAD	2	
	ø8K-47000-00-00	ORNAMENT SET		incl. items w/ OPTIONAL PARTS KIT
39	90201-06059-00	WASHER, PLATE	4	
40	95701-06300-00	NUT, NYLON	2	
41	8K4-77392-00-00	COVER, luggage box	1	
42	8K4-77324-00-00	KNOB	1	
43	8K4-77328-00-00	LEVER, arm fitting	1	
44	95706-05300-00	NUT, nylon	1	
45	90201-10119-00	WASHER, PLATE	2	
46	90201-05725-00	WASHER, PLATE	1	
47	8K4-77374-00-00	DAMPER 2	1	
48	8K4-77470-00-00	HINGE ASSEMBLY	1	
49	95306-05800-00	NUT (CROWN)	2	
50	98586-05016-00	SCREW, PAN HEAD	2	
51	90201-05029-00	WASHER, PLATE	2	
52	95701-05300-00	NUT, NYLON	2	
53	92906-05200-00	WASHER, PLAIN	2	
54	8K4-77165-00-00	TRIM 1	1	
55	ø8K-47774-30-00	INDICATOR 3	1	

CONTINUED ON NEXT FRAME ►

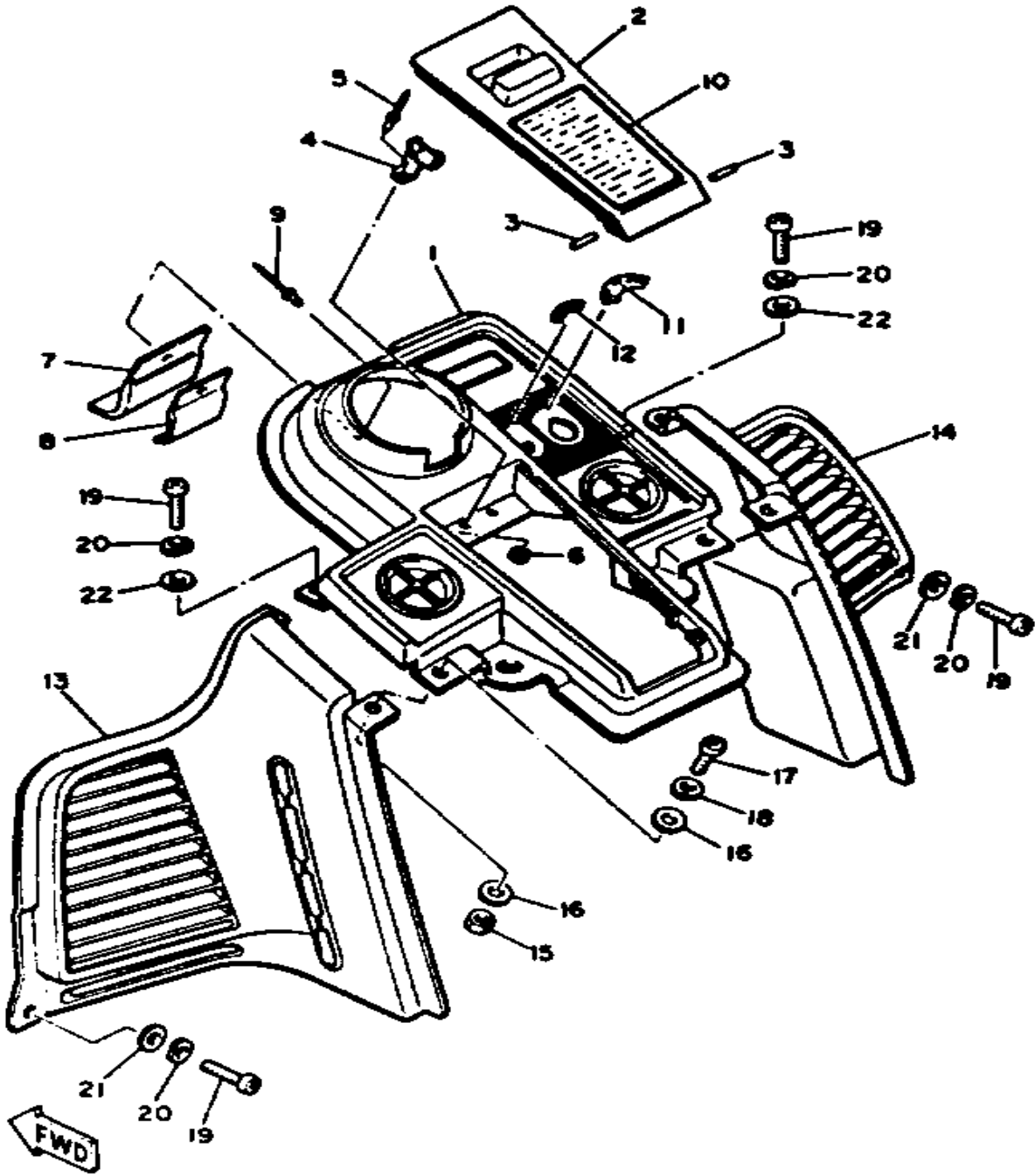
Not For Resale
www.SmallEngineDiscount.com

SHROUD - WINDSHIELD



Ref. No.	Part Number	Description	Qty	Remarks
56	ABA-8K496-00-00	WINDSHLD, SMB TALL	1	
57	8L0-77214-00-00	TRIM, lower	1	
58	92901-05600-00	WASHER, PLATE	3	
59	95701-05300-00	NUT, NYLON	3	
60	8K4-77222-00-00	BRACKET, WNDSHLD R	1	
61	97011-06010-00	BOLT	1	
62	92995-06100-00	WASHER, SPRING	1	
63	8K4-77215-00-00	TRIM 3	1	
64	8L0-77216-00-00	TRIM 4	1	
65	8L0-77225-00-00	TRIM 5	1	
66	8L0-77226-00-00	TRIM 6	1	
67	90183-05019-00	NUT, SPRING	2	
68	82H-77223-00-00	FASTNER	4	
69	97313-05016-00	BOLT, HEXAGON	2	
70	92990-05100-00	WASHER, SPRING	2	
71	90201-05033-00	WASHER, PLATE	1	
72	95306-05800-00	NUT (CROWN)	2	
73	8K4-77116-00-00	WASHER, special	2	
74	(8K4-77283-00-00)	STRIPE 3	3	
	8K4-77136-00-00	CLAMP 2	2	
	8K4-47000-00-00	ORNAMENT SET		incl. items w/ OPTIONAL PARTS KIT

INSTRUMENT PANEL

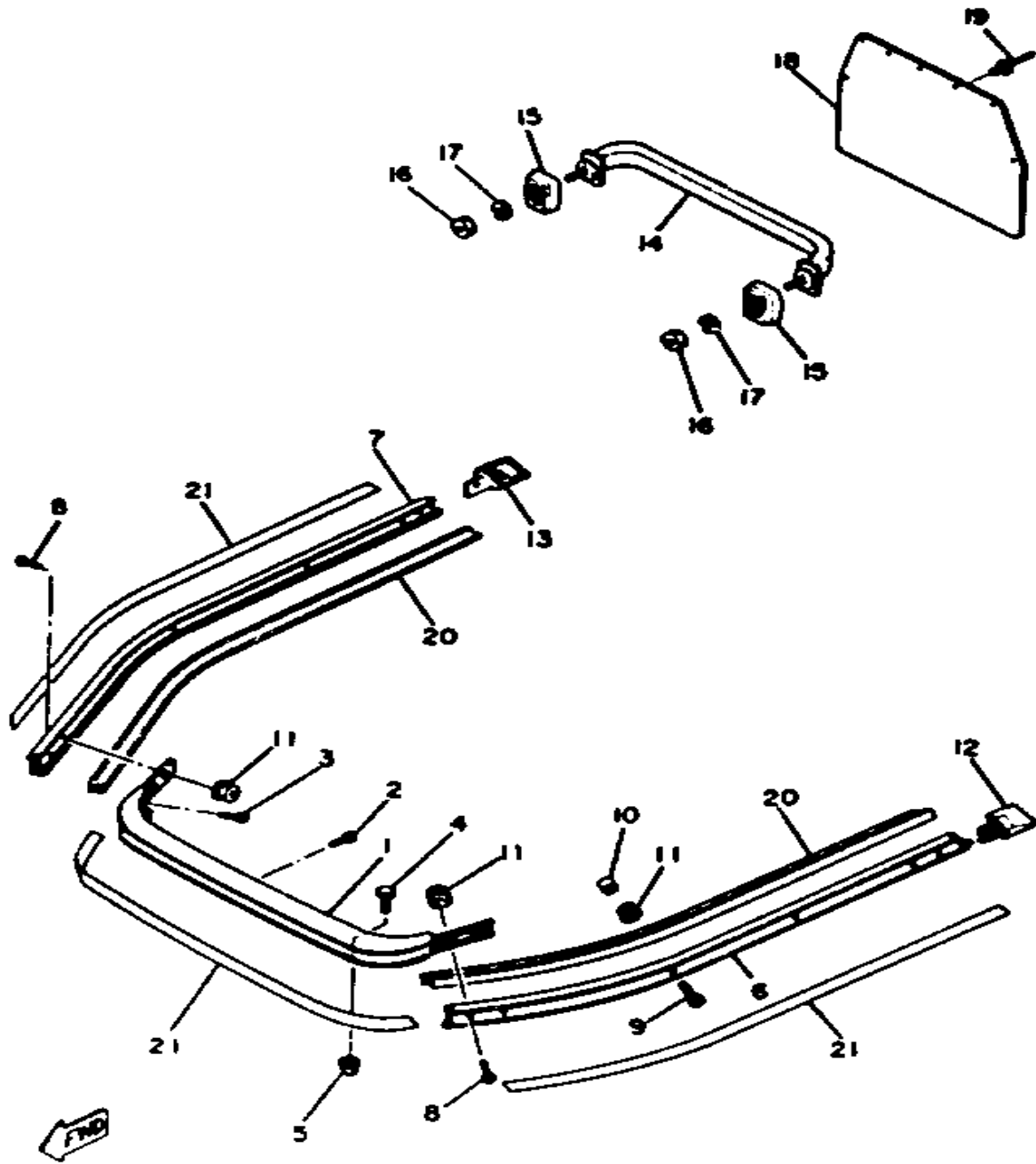


Ref. No.	Part Number	Description	Qty	Remarks
1	99999-01548-00	PANEL, instrument (8K4-77711-00)	1	
2	8K4-77712-00-00	PANEL, INSTRUMENT	1	
3	8K4-77477-00-00	PIN, HINGE	2	
4	821-24794-01-00	SPRING, SEAT BACK	1	
5	90267-32070-00	RIVET, BLIND	2	
6	90201-03313-00	WASHER, PLATE	2	
7	8K4-77161-00-00	STRIP, WEATHER 1	1	
8	8K4-77185-00-00	PLATE 1	1	
9	90267-48060-00	RIVET, BLIND	1	
10	8K4-77761-00-00	LABEL, WARNING 1	1	
11	8K2-77741-00-00	INDICATOR 1	1	
12	8K4-77742-00-00	INDICATOR 2	1	
13	8K4-77131-00-00	LOUVER 1	1	
14	8K4-77132-00-00	LOUVER 2	1	
15	95380-06600-00	NUT	2	
16	90201-06643-00	WASHER, PLATE	4	
17	98506-06016-00	SCREW, PANHEAD	2	
18	92906-06100-00	WASHER, SPRING	2	
19	98506-06016-00	SCREW, PANHEAD	4	
20	92906-06100-00	WASHER, SPRING	4	
21	90201-060A3-00	WASHER, PLATE	2	
22	90201-06643-00	WASHER, PLATE	2	

Not For Resale

www.SmallEngineDiscount.com

BUMPER

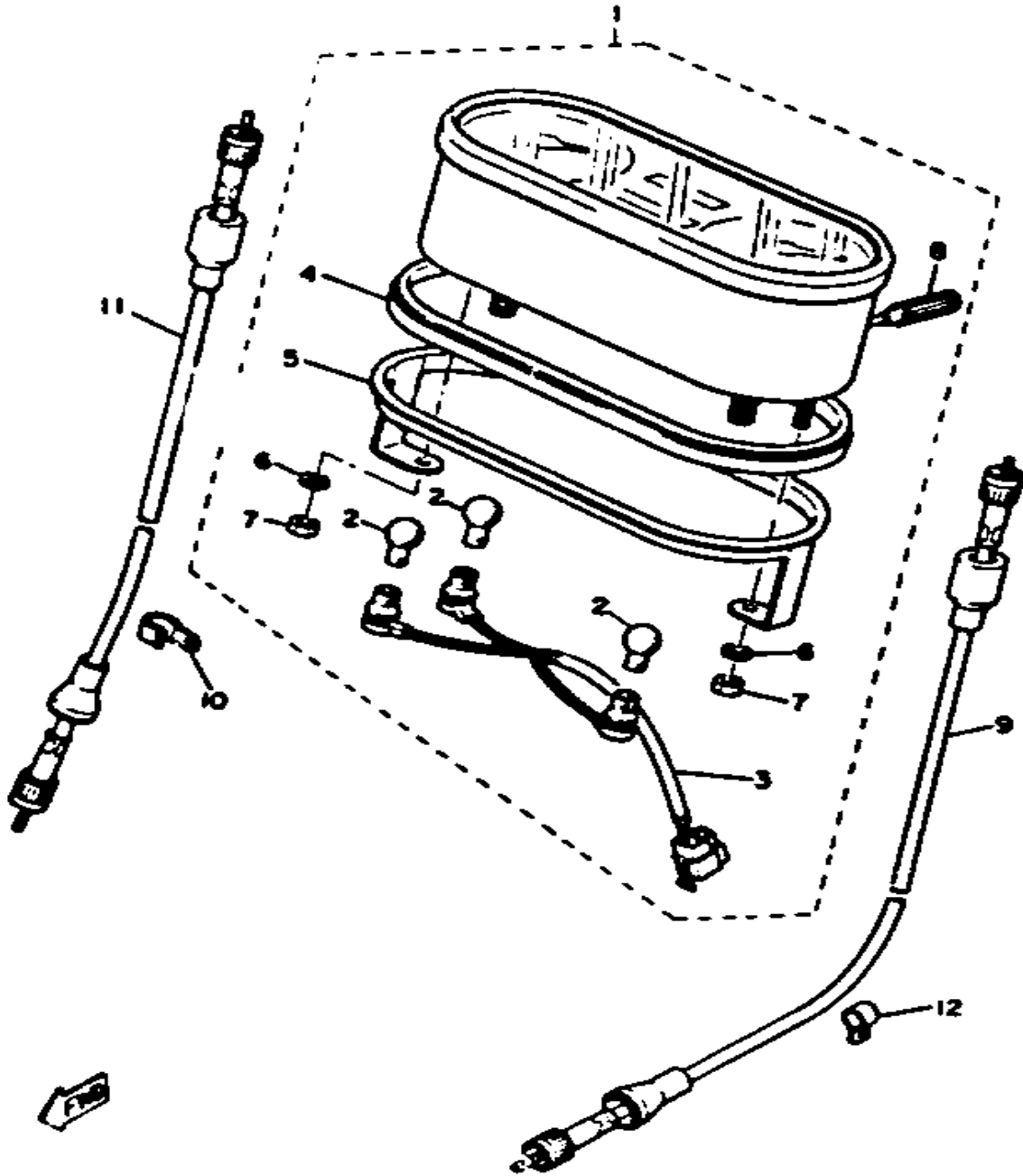


Ref. No.	Part Number	Description	Qty	Remarks
1	8K4-77511-00-00	BUMPER, front 1	1	
2	98980-06016-00	SCREW, BINDING	3	
3	98903-06010-00	SCREW, BIND	2	
4	97026-06014-00	BOLT	2	
5	95706-06300-00	NUT, NYLON	2	
6	8K4-77512-00-00	BUMPER, front 2	1	
7	8K4-77513-00-00	BUMPER, front 3	1	
8	98903-06012-00	SCREW, BIND	10	
9	98980-06016-00	SCREW, BINDING	2	
10	ϕ90-44507-49-80	HOSE	2	
11	95701-06500-00	NUT, FLANGE	12	
12	8K4-77523-00-00	END, bumper	1	
13	8K4-77524-00-00	END, bumper	1	
14	8K4-77541-00-00	BUMPER, rear 1	1	
15	8K4-77517-00-00	CAP	2	
16	95333-08600-00	NUT	2	
17	92990-08100-00	WASHER	2	
18	8V8-77595-00-00	FLAP	1	
19	90267-48086-00	RIVET, BLIND	5	
20	8K4-77515-01-00	BUSH, RUBBER 1	2	
21	(8K4-77283-00-00)	STRIPE 3	3	

Not For Resale

www.SmallEngineDiscount.com

METER

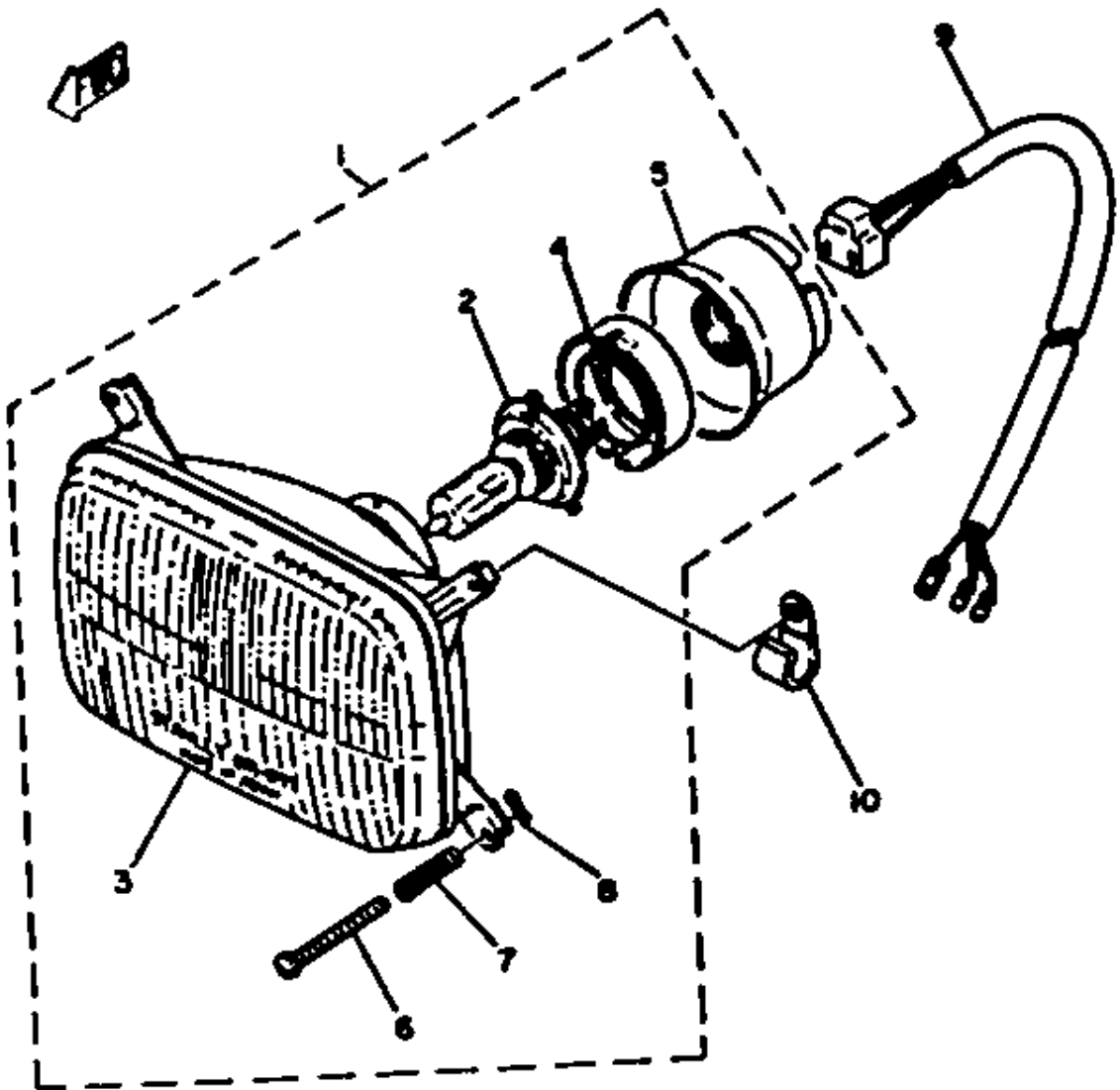


Ref. No.	Part Number	Description	Qty	Remarks
1	8K4-83500-21-00	SPEEDOMETER ASS'Y (8K4-83500-20)	1	
2	123-83516-21-00	. BULB (12V-3.4W)	3	
3	8K4-83536-00-00	. SOCKET, METER	1	
4	8K4-83513-00-00	. DAMPER	1	
5	8K4-83519-01-00	. BRACKET, METER	1	
6	92990-05100-00	. WASHER, SPRING	2	
7	95380-05600-00	. NUT	2	
8	8L8-83578-00-00	. KNOB, TRIP METER	1	
9	8K4-83550-00-00	SPEEDOMETER CABLE ASSEMBLY	1	
10	90462-06058-00	CLAMP	1	
11	8A1-83550-02-00	SPEEDOMETER CABLE ASSEMBLY	1	
12	90461-06M01-00	CLAMP	1	

Not For Resale

www.SmallEngineDiscount.com

HEADLIGHT

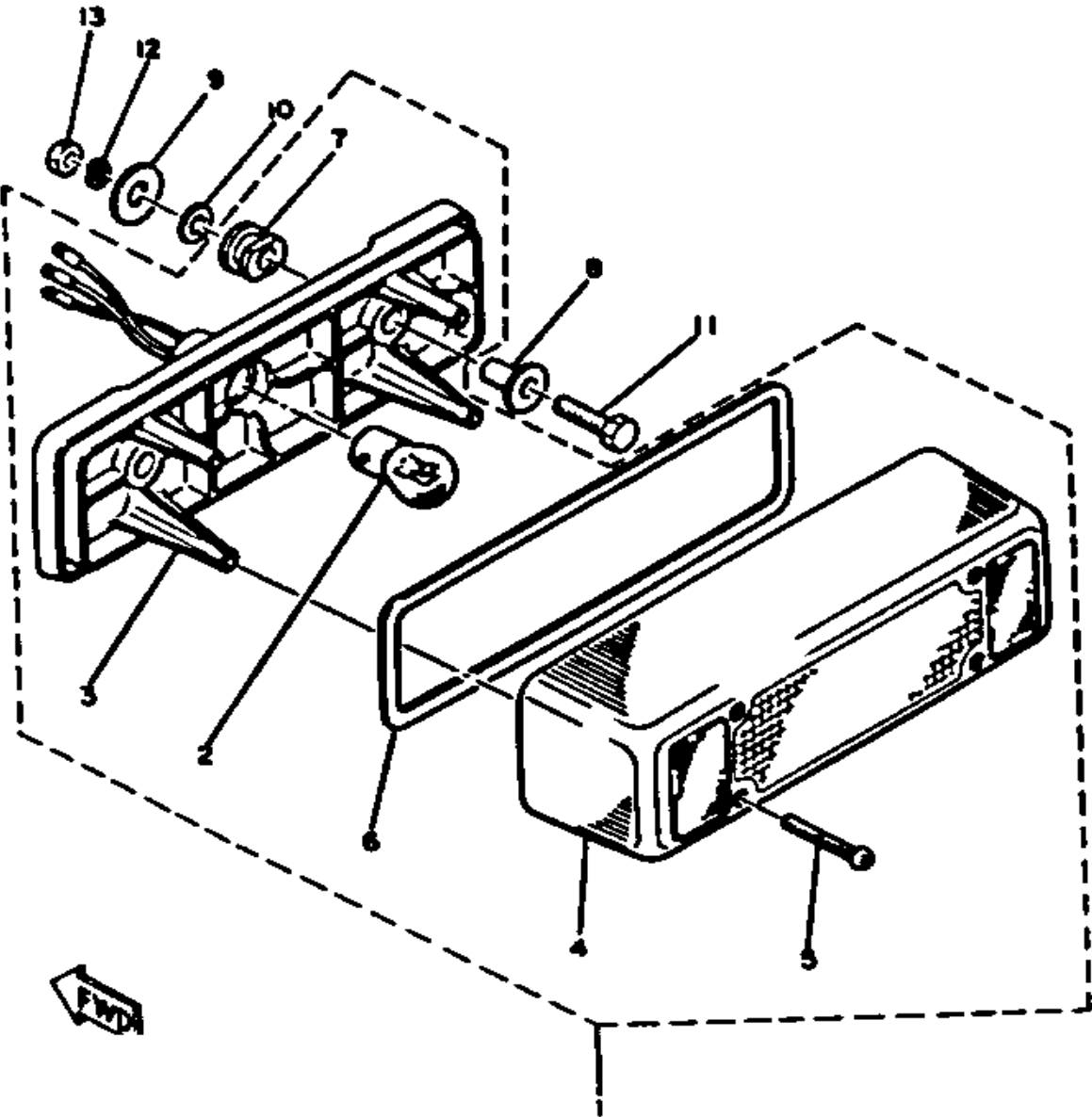


Ref. No.	Part Number	Description	Qty	Remarks
1	8M6-84310-00-00	HEADLIGHT UNIT ASSEMBLY .	1	
2	5V2-84314-00-XX	. BULB, HL 12V60/55W (2F9-84314-00)	1	
3	8K4-84320-00-00	. LENS ASSEMBLY	1	
4	8A7-84312-00-00	. HOLDER, SOCKET	1	
5	8A7-84397-01-00	. COVER, SOCKET	1	
6	8M6-84331-00-00	. SCREW, RIM ADJUSTING (8A5-84331-00-00)	4	
7	8A5-84332-00-00	. SPRING, SCREW	4	
8	8K4-84374-00-00	. CLIP	4	
9	8H8-84359-00-00	CORD, HEADLIGHT	1	
10	90465-08028-00	CLAMP	2	

Not For Resale

www.SmallEngineDiscount.com

TAILLIGHT

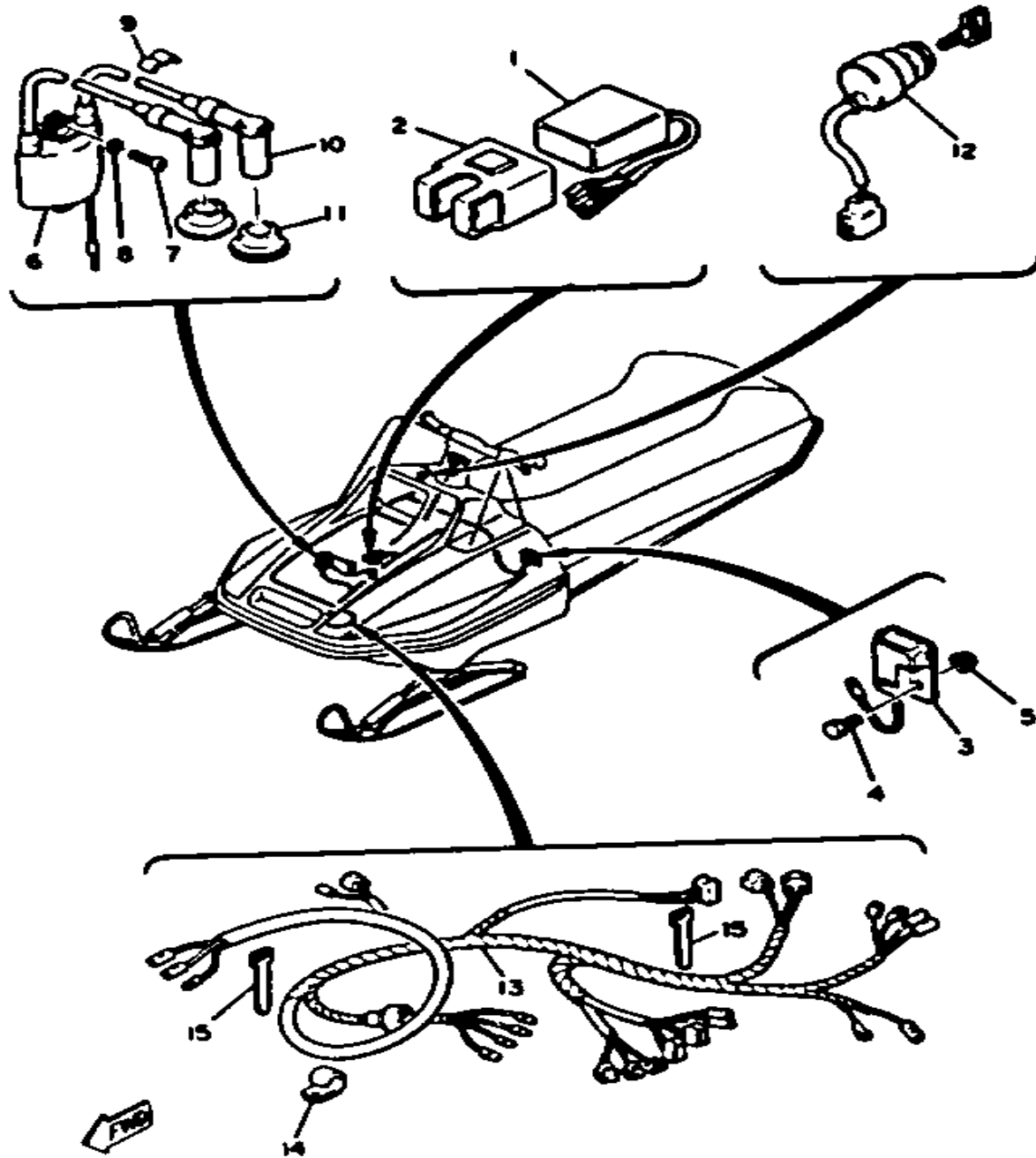


Ref. No.	Part Number	Description	Qty	Remarks
1	8K4-84710-00-00	TAILLIGHT UNIT ASSEMBLY ..	1	
2	137-84714-61-00	. BULB, TL 12V23/8W (J50-83311-00)	1	
3	8K4-84711-00-00	. BASE, TAILLIGHT	1	
4	8K4-84721-00-00	. LENS, TAILLIGHT	1	
5	97780-40130-00	. SCREW, PANHEAD TAPPING (97701-40130-00)	4	
6	87M-84723-00-00	. GASKET, TAIL LENS	1	
7	8K4-84718-00-00	. GROMMET	2	
8	90387-060G8-00	COLLAR	2	
9	90201-06407-00	WASHER, PLATE (90201-06747-00)	2	
10	90201-06057-00	WASHER, PLATE	2	
11	97013-06035-00	BOLT	2	
12	92995-06100-00	WASHER, SPRING	2	
13	95380-06600-00	NUT	2	

Not For Resale

www.SmallEngineDiscount.com

ELECTRICAL 1

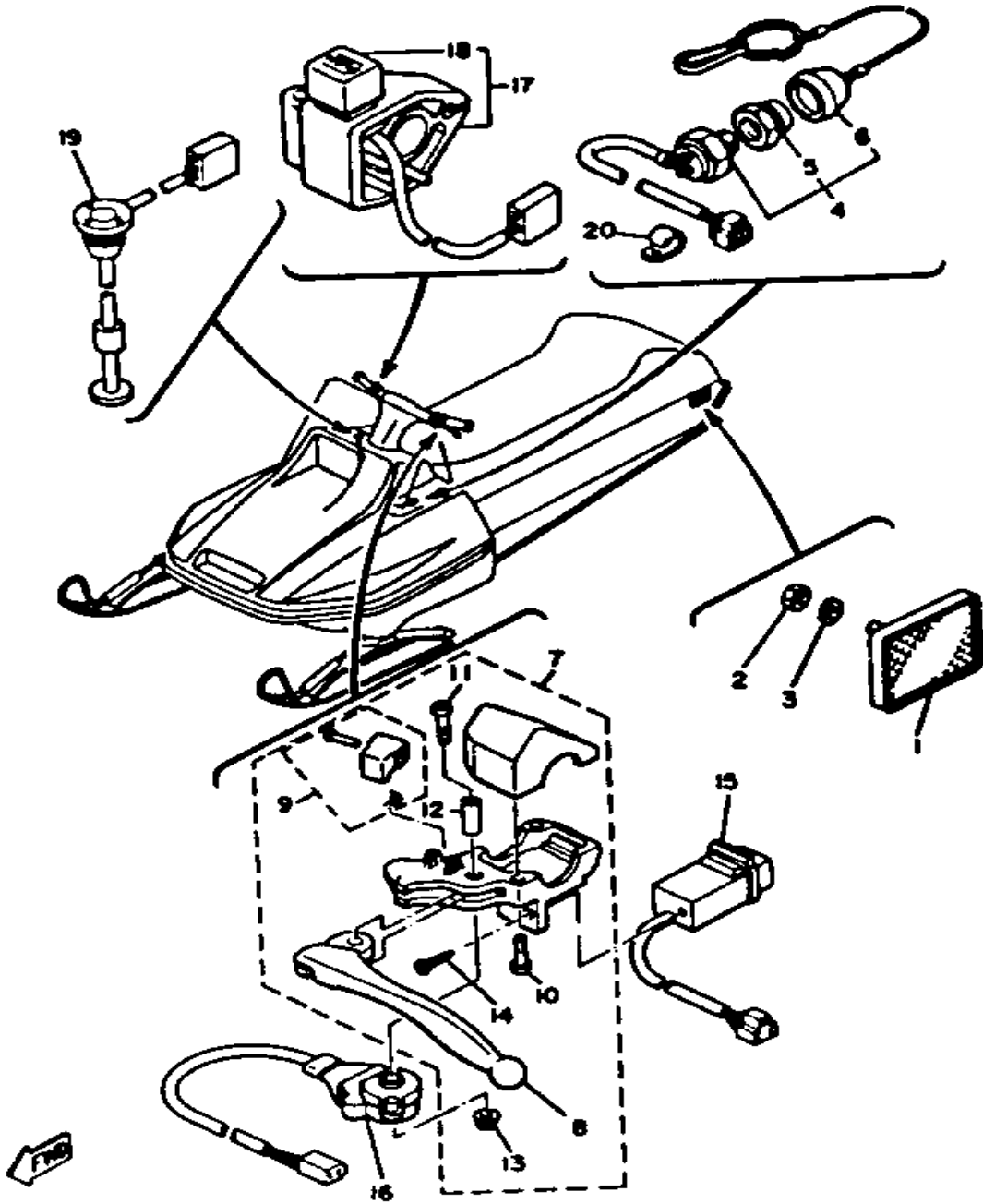


Ref. No.	Part Number	Description	Qty	Remarks
1	8K4-85540-10-00	CDI UNIT ASSEMBLY	1	
2	2A7-85546-00-00	BAND	1	
3	82F-81910-A0-00	VOLTAGE REGULATOR ASSEMBLY	1	
4	97301-06014-00	BOLT, HEXAGON	2	
5	95701-06300-00	NUT, NYLON	2	
6	8K4-82310-11-00	IGNITION COIL ASSEMBLY	1	
7	98580-06020-00	SCREW	2	
8	92995-06100-00	WASHER, SPRING	2	
9	861-82361-00-00	CLAMP, CORD	1	
10	8K1-82370-20-00	PLUG CAP ASSEMBLY (WITH RESISTOR)	2	
11	8G5-82372-00-00	SEAL, PLUG CAP	2	
12	8K4-82508-20-00	MAIN SWITCH ASSEMBLY	1	
13	8K4-82590-20-00	WIRE HARNESS ASS'Y	1	
14	90465-08028-00	CLAMP	1	
15	437-83936-01-00	BAND, SWITCH CORD	2	

Not For Resale

www.SmallEngineDiscount.com

ELECTRICAL 2



Ref. No.	Part Number	Description	Qty	Remarks
1	8J7-85131-00-00	REFLECTOR, REAR 1	2	
2	95380-06600-00	NUT	2	
3	92995-06100-00	WASHER, SPRING	2	
4	8H8-82550-01-00	ENGINE STOP SWITCH ASSEMBLY	1	
5	8H8-82557-00-00	. NUT	1	
6	8H8-82552-09-00	. CAP, SWITCH	1	
7	(8K4-W8291-02-00)	LEVER HOLDER ASSEMBLY L	1	
8	8H8-83912-00-00	. LEVER 1	1	
9	8H8-88393-00-00	. LEVER LOCK ASS'Y	1	
10	98580-05020-00	. SCREW, PAN HEAD	2	
11	98501-05040-00	. SCREW, PAN HEAD (98502-05040)	1	
12	802-83913-00-00	. COLLAR, LEVER 1	1	
13	95701-05300-00	. NUT, NYLON	1	
14	97780-30312-00	. SCREW, tapping	2	
15	8H8-83950-01-00	BEAM SWITCH ASSEMBLY (8K4-83950-01-00)	1	
16	88R-82530-00-00	STOP SWITCH ASSEMBLY	1	
17	(8K4-83976-01-00)	SWITCH, HANDLE 1	1	
18	8E3-83956-01-00	. CAP 1	1	
19	4A5-85720-00-00	OIL LVL GAUGE ASSEMBLY (8K2-85720-00)	1	
20	90465-08028-00	CLAMP	1	

Not For Resale

www.SmallEngineDiscount.com

SS440D
1980 SERVICE DATA

MODEL - IBM I.D. NUMBER	SS440D	BK4
Starting Engine and Frame Number	SA437-000101 / BK4-000101	
Dry Vehicle Weight	183 kg (404 lbs.)	
ENGINE - Type / Induction System	2-Stroke, Forced Air Cooled, 7-Port Reed Valve	
Bore x Stroke x Cylinders / Displacement	66mm x 64mm x 2 / 437cc	
Compression Ratio	6.2:1	
Piston Skirt Clearance (New/Max)	0.045 ~ 0.05mm (17mm from bottom skirt) / 0.1mm	
Ring End Gap (Top/2nd)	0.3 ~ 0.5mm / 0.3 ~ 0.5mm	
Ring Groove Clearance (Top/2nd)	0.02mm ~ 0.06mm / 0.02 ~ 0.06mm	
Coolant Type / Mixing Ratio	φ / φ	
CARBURETOR - Mfr. / Type / I.D. Number	Keihin / BD38-34 / BK400	
Quantity / Venturi Size (Measured/Effective)	1 / 38mm / 34mm	
Main Jet / Main Air Jet	135 / 180	
Partial Jet / Slow Jet / Slow Air Jet / Air Screw	φ / 80 / 100 / φ	
Pilot Jet / Pilot Screw	φ / 1-1/2 Turns Out	
Needle Jet/Needle-Clip Position/Cutaway/Air Jet	φ / φ / φ / φ	
Power Jet / Power Air Jet	160 / 280	
Fuel Inlet Valve / Float Level / Fuel Level	2.0 / 16 ^{±2} / φ	
Idle Speed	1500 rpm	
AUTOLUBE - Pump Color / Control Rod Adj.	Red / 25 ± 1mm φ Pump Wire φ Idle	
Pump Plunger Stroke (Min) (Max)	0.20 ~ 0.25mm / 1.65 ~ 1.87mm	
Output @ 200 Strokes (Full Throttle/Idle)	7.84 ~ 8.85cc / 0.95 ~ 1.18cc	
DRIVE - Type	V-Belt Automatic	
Primary Sheave Engagement rpm	3200 ± 200 rpm	
Belt Length / Width / Wear Limit / IBM Number	1099mm / 31.6mm / 26mm / BF2	
Primary Ratio(s)	3.5:1 ~ 1:1	
Sheave Center to Center / Offset	270 ^{±3} mm / 11mm	
Primary Spring Color / Length / Rate	Blu-Brn / 87.2mm / 1.36 kg/mm	
Secondary Spring Pre-Load/Part Number/Color	180° / 90508-45286-00 / Yellow	
Secondary Drive Ratio/Chain Pitch-Type/Freesley	1.61 (29-18) 9.525 - No. 35-2 / 10 ^{±5} mm	
Track (Width) / Tension	381mm / 25 ^{±5} mm @ 10 kg	
CAPACITIES - Chain Case / Quantity / Type	250cc / SAE70 ~ 80 API GL-3 Gear Oil	
Fuel Tank / Quantity / Grade	27.3L (7.2 Gal.) / Regular	
Autolube Tank / Quantity / Type	2.5 Lit. (2.6 qts.) / Yamalube 2	
ELECTRICAL - Mfr. / Type	Hitachi / CDI	
Battery: Model / Spec Gravity / Charge Rate	φ	
Lighting Output at Full Load	11.8V10W @ 3000 rpm	
Headlight / Taillight / Instrument Ratings	12V60-55W / 12V23-8W / 12V3.4W	
Lighting Coil Resistance	Yel ~ Blk / 0.22 Ω ± 10%	
Ignition Source Coil Resistance (Charge Coil)	Brn ~ Red / 225 Ω ± 10% Red ~ Red-Whi / 10 Ω ± 10%	
Pulse Coil Resistance	φ	
Ignition Coil Resistance Primary / Secondary	0.15 Ω ± 10% / 3.6K Ω ± 10%	
Spark Plug Type / Gap / Torque	NGK BR9ES / 0.7 ~ 0.8mm	
Timing (B.T.D.C.)*	1.5mm BTDC	

SS440D
1980 SERVICE DATA

S79-022

MODEL - IBM I.D. NUMBER	SS440D	BK4
Starting Engine and Frame Number	SA437-000101 / BK4-000101	
Dry Vehicle Weight	183 kg (404 lbs.)	
ENGINE - Type / Induction System	2-Stroke, Forced Air Cooled, 7-Port Reed Valve	
Bore x Stroke x Cylinders / Displacement	66mm x 64mm x 2 / 437cc	
Compression Ratio	6.2:1	
Piston Skirt Clearance (New/Max)	0.045 ~ 0.05mm (17mm from bottom skirt) / 0.1mm	
Ring End Gap (Top/2nd)	0.3 ~ 0.5mm / 0.3 ~ 0.5mm	
Ring Groove Clearance (Top/2nd)	0.02mm ~ 0.06mm / 0.02 ~ 0.06mm	
Coolant Type / Mixing Ratio	φ / φ	
CARBURETOR - Mfr. / Type / I.D. Number	Keihin / BD38-34 / BK400	
Quantity / Venturi Size (Measured/Effective)	1 / 38mm / 34mm	
Main Jet / Main Air Jet	135 / 180	
Partial Jet / Slow Jet / Slow Air Jet / Air Screw	φ / 80 / 100 / φ	
Pilot Jet / Pilot Screw	φ / 1-1/2 Turns Out	
Needle Jet/Needle-Clip Position/Cutaway/Air Jet	φ / φ / φ / φ	
Power Jet / Power Air Jet	160 / 280	
Fuel Inlet Valve / Float Level / Fuel Level	2.0 / 16 ^{±2} / φ	
Idle Speed	1500 rpm	
AUTOLUBE - Pump Color / Control Rod Adj.	Red / 25 ± 1mm φ Pump Wire φ Idle	
Pump Plunger Stroke (Min) (Max)	0.20 ~ 0.25mm / 1.65 ~ 1.87mm	
Output @ 200 Strokes (Full Throttle/Idle)	7.84 ~ 8.85cc / 0.95 ~ 1.18cc	
DRIVE - Type	V-Belt Automatic	
Primary Sheave Engagement rpm	3200 ± 200 rpm	
Belt Length / Width / Wear Limit / IBM Number	1099mm / 31.6mm / 26mm / BF2	
Primary Ratio(s)	3.5:1 ~ 1:1	
Sheave Center to Center / Offset	270 ^{±3} mm / 11mm	
Primary Spring Color / Length / Rate	Blu-Brn / 87.2mm / 1.36 kg/mm	
Secondary Spring Pre-Load/Part Number/Color	180° / 90508-45286-00 / Yellow	
Secondary Drive Ratio/Chain Pitch-Type/Freesley	1.61 (29-18) 9.525 - No. 35-2 / 10 ^{±5} mm	
Track (Width) / Tension	381mm / 25 ^{±5} mm @ 10 kg	
CAPACITIES - Chain Case / Quantity / Type	250cc / SAE70 ~ 80 API GL-3 Gear Oil	
Fuel Tank / Quantity / Grade	27.3L (7.2 Gal.) / Regular	
Autolube Tank / Quantity / Type	2.5 Lit. (2.6 qts.) / Yamalube 2	
ELECTRICAL - Mfr. / Type	Hitachi / CDI	
Battery: Model / Spec Gravity / Charge Rate	φ	
Lighting Output at Full Load	11.8V10W @ 3000 rpm	
Headlight / Taillight / Instrument Ratings	12V60-55W / 12V23-8W / 12V3.4W	
Lighting Coil Resistance	Yel ~ Blk / 0.22 Ω ± 10%	
Ignition Source Coil Resistance (Charge Coil)	Brn ~ Red / 225 Ω ± 10% Red ~ Red-Whi / 10 Ω ± 10%	
Pulse Coil Resistance	φ	
Ignition Coil Resistance Primary / Secondary	0.15 Ω ± 10% / 3.6K Ω ± 10%	
Spark Plug Type / Gap / Torque	NGK BR9ES / 0.7 ~ 0.8mm	
Timing (B.T.D.C.)*	1.5mm BTDC	

J-1

Not For Resale
www.SmallEngineDiscount.com

TECHNICAL BULLETIN

SNOWMOBILE
879-019

1980 MODELS HIGH ALTITUDE TUNING

This bulletin is intended to help you choose the proper jets and optional parts to properly tune the Yamaha snowmobile for use in high elevations. Since the factory installed main jets are for use at sea level, we have included mostly smaller main jets in the parts lists for each model.

Yamaha recommends that dealers stock the entire range of jets for each model. This will assure that a dealer can tune a machine for any altitude or temperature a customer may encounter. Always jet for the lowest temperature and the lowest elevation a customer will be riding at. Use the chart to determine the correct jets. Read down from the lowest temperature to the lowest elevation the customer expects to ride at and jet accordingly.

CAUTION: Jetting for the highest elevation the customer will encounter will produce a lean condition and could lead to piston damage when he rides below this level.

The Main Jet Setting Charts are only a guide. A mechanic must use his personal judgement when adjusting a machine for various local conditions. The parts lists include some jets that do not appear on the charts as a mechanic can fine tune a machine for local conditions.

EXAMPLE:

If a customer expects to ride an SRX440D between 8000 and 8000 ft. in 40°F weather, use 180 jet. Since 40°F is between 32°F and 50°F on the SRX440D chart, read down from 32°F to the 8000 ft. line on the chart (the lowest expected elevation) and install the indicated jet. Change pilot jet to a #90.

MAIN JET SETTING CHART

Temperature Elevation	-30°C (-22°F)	-20°C (-4°F)	-10°C (14°F)	0°C (32°F)	10°C (50°F)	20°C (68°F)
Sea Level	← #250 →					
800m (2000 ft.)	#200	← #220 →				#240
1200m (4000 ft.)	#230	← #185 →				#210
1800m (6000 ft.)	#200	← #180 (1) →				#190
2400m (8000 ft.)	#185 (1)	← #185 (2) →				#175 (1)
3000m (10,000 ft.)	#170 (2)	← #150 (2) →				#160 (1)
	#155 (2)	← #146 (2) →				

(1) 8000 ~ 8000 ft. install a #90 or #95
(2) 8000 ~ 10,000 ft. install a #95 or #100

1980 SS440D HIGH ALTITUDE SPECIFICATIONS

	STANDARD SETTING	HIGH ALTITUDE
Idle	1500 rpm	1800 rpm
Clutch Engagement	2500 rpm	3600 rpm
Shift Speed	6800 rpm	8800 rpm
Main Jet	#135	See "Setting Chart"
Pilot Jet	# 80	#90
Low Speed Mixture Screw	1-1/2 Turns	1-1/4 Turns

NOTE:

1. Install 90801-63296-00 primary spring in place of the standard spring.
2. Remove all rivets from clutch weights.
3. Change gearing from the stock 18/29 to 17/31.

MAIN JET SETTING CHART

Temperature Elevation	-30°C (-22°F)	-20°C (-4°F)	-10°C (14°F)	0°C (32°F)	10°C (50°F)	20°C (68°F)
Sea Level	#140	← #135 →				#130
800m (2000 ft.)	#135	← #125 →				#130
1200m (4000 ft.)	#135	← #130 →				#125
1800m (6000 ft.)	#130	← #125 →				#125
2400m (8000 ft.)	#130	← #125 →				#120
3000m (10,000 ft.)	#125	← #120 →				#115

ALTERNATE PARTS LIST

MAIN JET SIZE	PART NUMBER
#130	8A8-14518-30-00
#125	8A8-14518-25-00
#120	8A8-14518-20-00
#115	8A8-14518-15-00
#110	8A8-14518-10-00

SLOW JET SIZE	PART NUMBER
#100	8G6-14048-27-00
# 95	8G6-14048-25-00
# 90	8G6-14048-23-00
# 85	8G6-14048-21-00
# 80	8G6-14048-19-00

*Standard

GEARING	PART NUMBER
18 T	8K4-17582-90-00*
17 T	8K4-17582-70-00
29 T	8K4-47548-90-00*
31 T	8K4-47587-00-00

*Standard

TECHNICAL BULLETIN

SNOWMOBILE
879-028

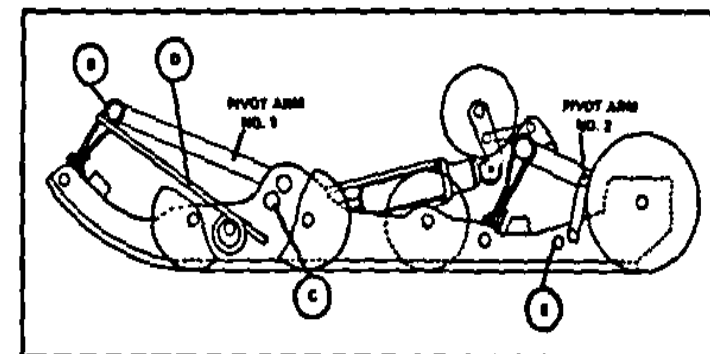
SS440D PERFORMANCE IMPROVEMENT

If the performance is not up to expectations, changes in weight distribution and traction can be made to improve performance. Part of the modifications involve relocating two suspension pivot points. Templates have been included with this bulletin to help you locate and drill these new pivot points. Before doing any performance modifications, make sure the clutch and carburetor are adjusted to specifications and that they are operating correctly.

AFFECTED MODELS

All SS440D

SUMMARY OF MODIFICATION



STEPS

1. Replacement of track and drive sprockets.
2. Change setting of stopper band.
3. Relocation of pivot arm #1 suspension pivot point on slide rail frame.
4. Replacement of left and right front suspension springs.
5. Relocation of pivot arm #2 suspension pivot point on sliding frame.

Service Copy _____ Service Mgr. _____ Assistant _____ Mechanic _____ Assistant _____ Ready

Office Copy _____ Service Mgr. _____ Shop _____ Parts _____ Buyer

TECHNICAL BULLETIN

PARTS ORDERING

If you require more than one set of templates, please contact your District Service office.

PART NUMBER	QUANTITY	DESCRIPTION	DEALER COST
8K4-0000-00-00	1	Suspension Modification Kit	6.10 ea.
+80208-8646-00	1	Front Suspension Spring	2.88 ea.
+80208-8647-00	1	Front Suspension Spring	2.88 ea.
+80208-10186-00	2	Special Washers for Pivot Arm #1	6.10 ea.
+80201-08288-00	2	Standard Washer for Pivot arm #2	6.10 ea.
8J7-47531-01-00	2	Drive Sprockets	12.80 ea.
8D48-82079-00	2	Heat Clamp	1.27 ea.
8A8-47130-01-00	1	Track	216.08 ea.

PROCEDURE

1. Remove the slide rail suspension and set it aside.
 2. Remove the track and drive sprockets and replace with rear parts.
- NOTE: Refer to the SS440D service manual for explanation of procedures for steps 1 and 2.
3. Place the slide rail suspension in a convenient working place and remove the four front boggie wheels, front suspension springs, and spring collars.
 4. Disconnect the stopper band and let it out to its longest position (8th hole). Reconnect.
 5. Remove the two 10mm bolts that hold pivot arm #1 to the slide rails.
 6. Remove the firm bolt that holds pivot arm #2 to the slide rail frame.

CAUTION: The performance of the following steps, #7 through #11, require a high degree of accuracy to assure proper alignment of mating parts and to avoid binding of the suspension components when assembled.

NOTE: You have been sent two templates. One is used for the front pivot point holes. One is used for the rear pivot point holes. Each is marked for easy identification and positioning.

7. Position the appropriate template using a tapered drift punch. Centerpunch the new pivot point location.

8. Reverse the appropriate template and locate the new hole on the other slide rail frame.

NOTE: Locate and centerpunch both front and rear pivot changes before proceeding to step #9.

9. Using a 3/16" drill bit, drill all four pilot holes.

10. Use a 13/32" bit for the final drilling of the front holes.

11. Use a 21/64" bit for the final drilling of the rear holes.

NOTE: Deburr (radius) all new holes before proceeding to step #12.



Not For Resale

www.SmallEngineDiscount.com