



YAMAHA

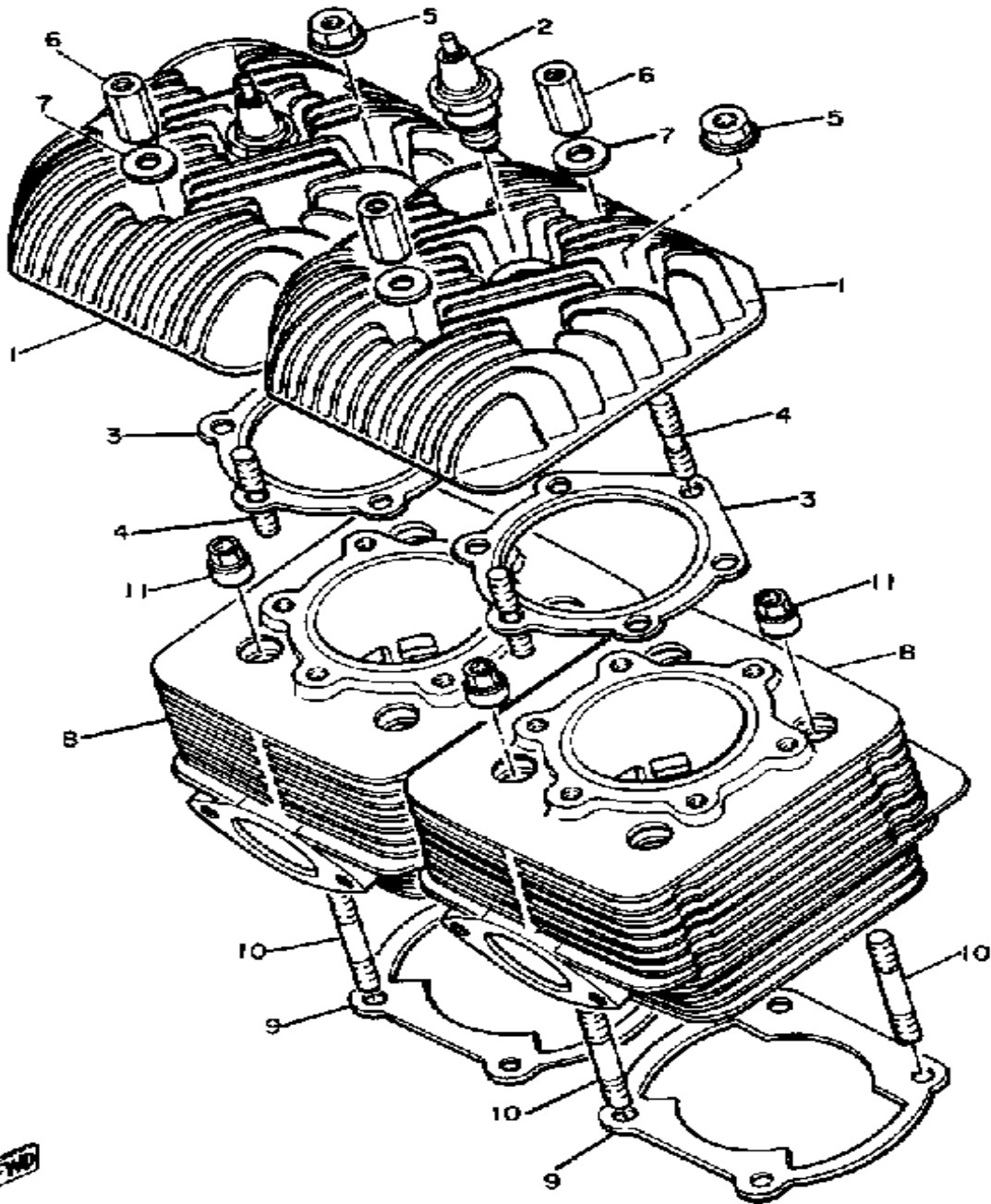
GENUINE

PARTS CATALOGUE

SNOWMOBILE

Property of www.SmallEngineDiscount.com - Not for Resale

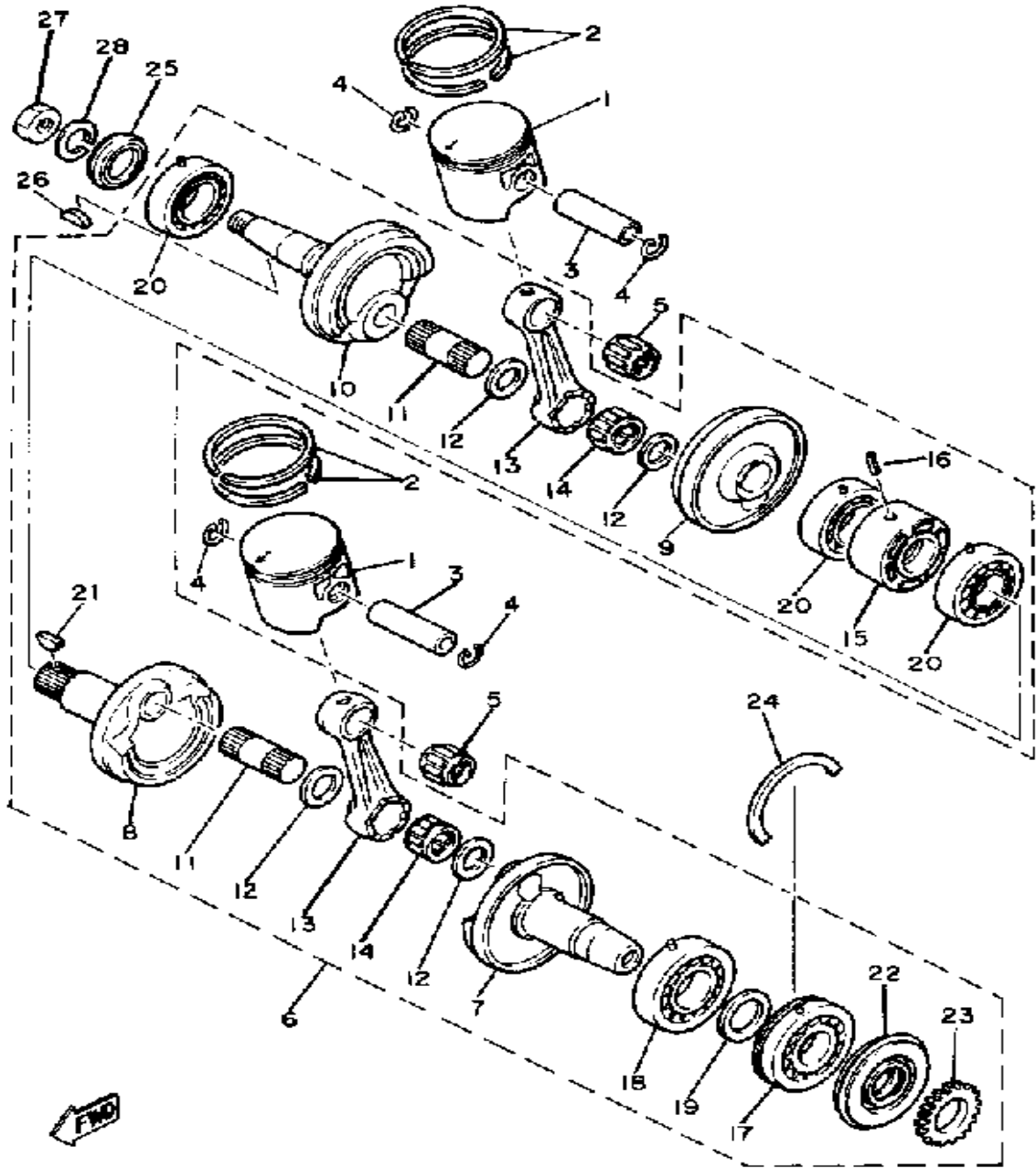
CYLINDER



Ref. No.	Part Number	Description	Qty	Remarks
1	8K4-11111-00-00	HEAD, CYLINDER 1	2	
2	NGK-BR9ES-00-00	PLUG, SPARK	2	
3	8K4-11181-00-00	GASKET, CYLINDER HEAD 1	2	
4	90116-08104-00	BOLT, STUD	12	
5	95701-08500-00	NUT, FLANGE	8	
6	90179-08269-00	NUT	4	
7	90201-08100-00	WASHER, PLATE	4	
8	8L8-11311-00-00	CYLINDER 1	2	
9	89N-11351-00-00	GASKET, CYLINDER	2	
10	90116-08104-00	BOLT, STUD	8	
11	90179-08268-00	NUT	8	

Property of www.SmallEngineDiscount.com - Not for Resale

CRANKSHAFT - PISTON

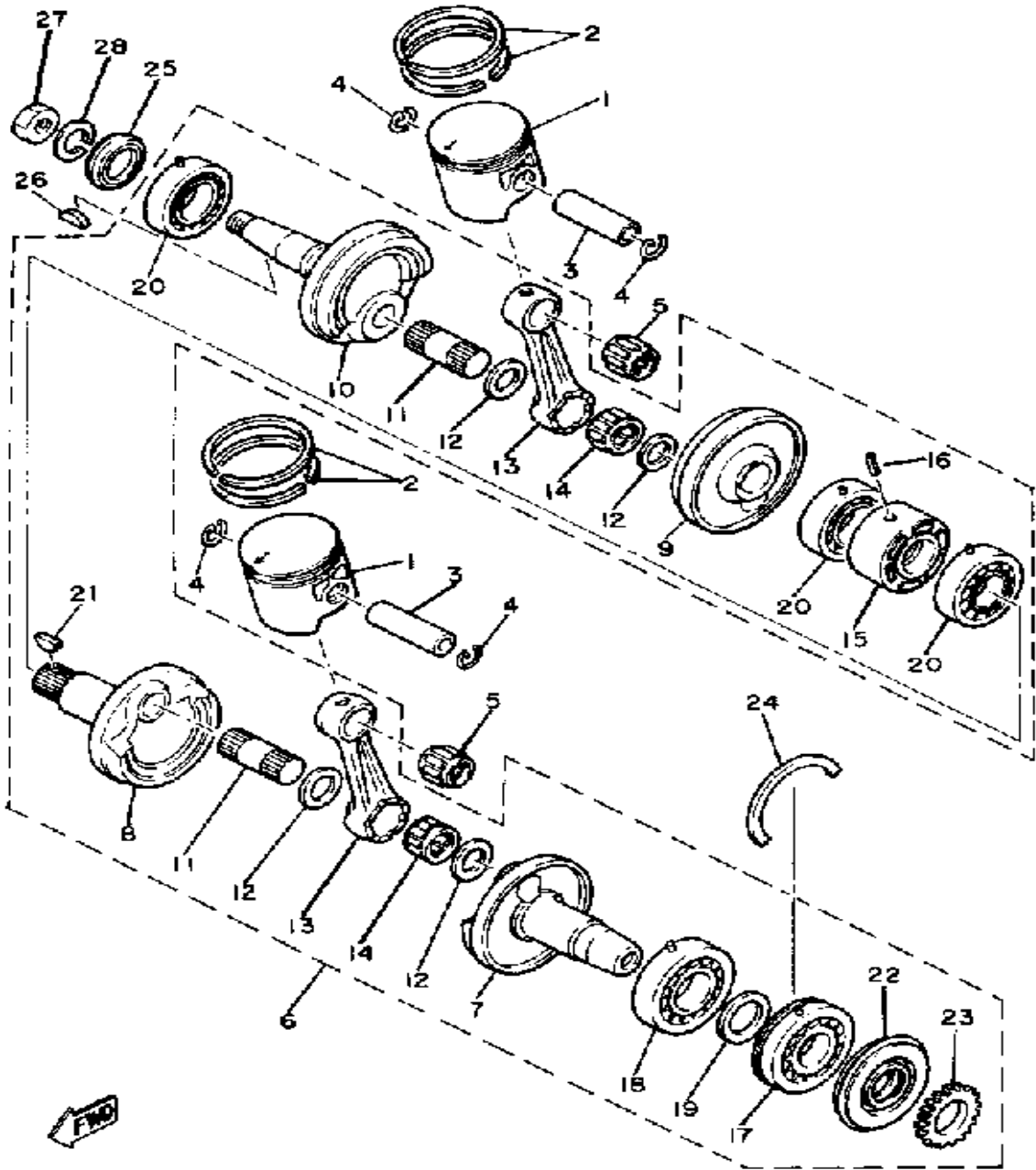


Ref. No.	Part Number	Description	Qty	Remarks
1	(8K4-11638-01-00)	PISTON 4 O/S 1.0	2	ALTERNATE PART
	8K4-11631-01-96	PISTON STD	2	
	8K4-11635-01-00	PISTON 1 O/S 0.5	2	ALTERNATE PART
	8K4-11636-01-00	PISTON 2 O/S 0.0	2	ALTERNATE PART
	8K4-11637-01-00	PISTON 3 O/S 0.5	2	ALTERNATE PART
2	(8K4-11601-30-00)	PISTON RINGSET 3RD	2	ALTERNATE PART
	(8K4-11601-40-00)	PISTON RINGSET 4TH	2	ALTERNATE PART
	8K4-11601-00-00	PISTON RING SET (STD)	2	
	8K4-11601-10-00	PISTON RINGSET 1ST (1ST O/S)	2	ALTERNATE PART
	8K4-11601-20-00	PISTON RINGSET 2ND (2ND O/S)	2	ALTERNATE PART
3	168-11633-00-00	PIN, PISTON	2	
4	93450-20026-00	CIRCLIP	4	
5	93310-218A6-00	BEARING	2	
6	8K4-11400-01-00	CRANKSHAFT ASSEMBLY	1	
7	(8K4-11412-00-00)	CRANK 1	1	
8	(8K4-11422-01-00)	CRANK 2	1	
9	(8K4-11432-01-00)	CRANK 3	1	
10	(8K4-11442-00-00)	CRANK 4	1	
11	8H8-11681-00-00	. PIN, CRANK 1	2	
12	90209-24073-00	. WASHER	4	
13	8A7-11651-00-00	. ROD, CONNECTING (838-11651-00)	2	
14	93310-42497-00	. BEARING, CYLINDER.# 0	2	
15	8H8-11515-00-00	. SEAL, LABYRINTH 1	1	
16	91609-30010-00	. PIN, SPRING	1	
17	93306-30612-00	. BEARING (B6306)	1	
18	93306-30625-00	. BEARING	1	
19	90201-34683-00	. WASHER, PLATE (90201-33299-00)	1	

CONTINUED ON NEXT FRAME ➤

Property of www.SmallEngineDiscount.com - Not for Resale

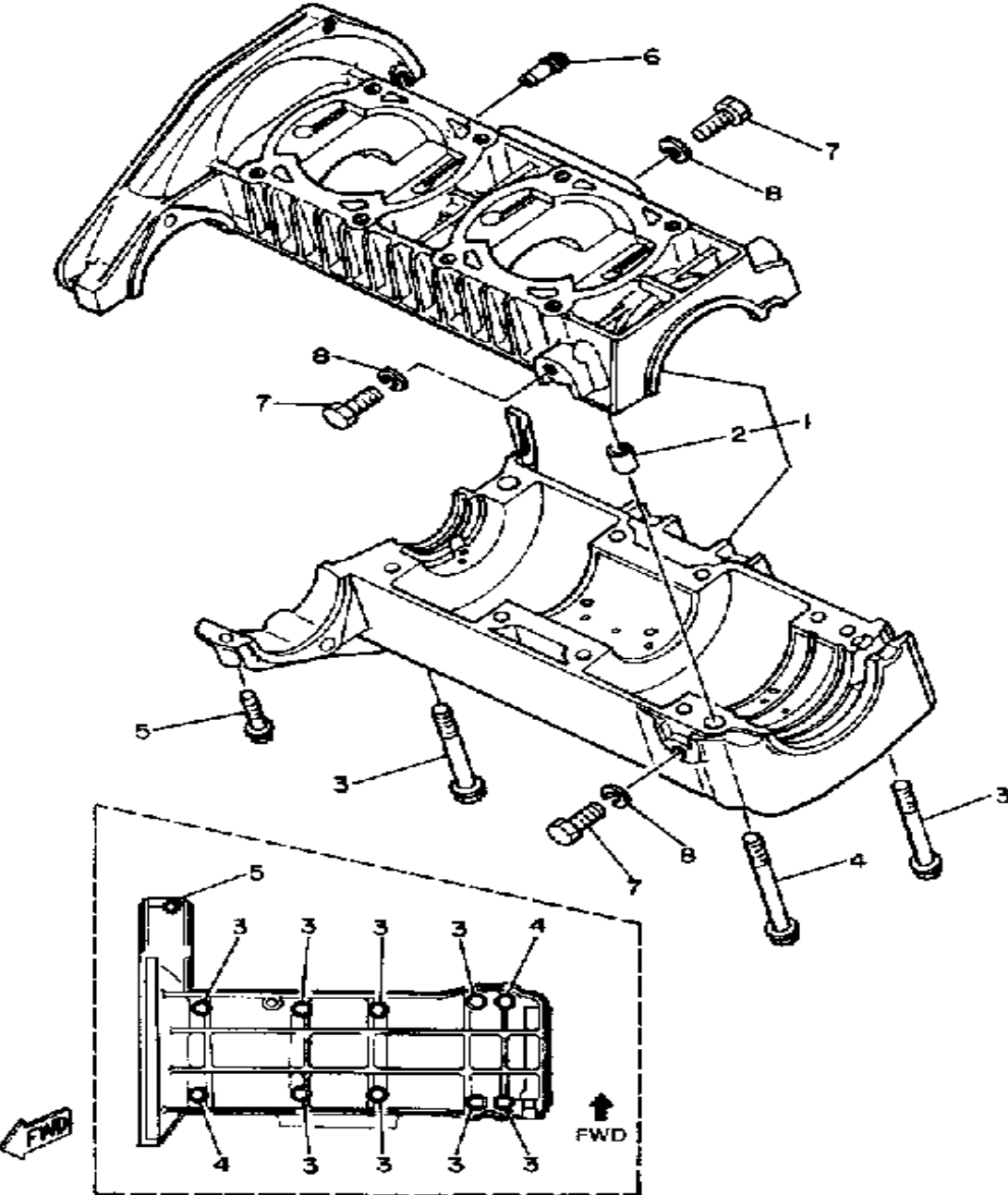
CRANKSHAFT - PISTON



Ref. No.	Part Number	Description	Qty	Remarks
20	93306-20617-00	. BEARING (B6206)	3	
21	90280-05014-00	. KEY, WOODRUFF	1	
22	93103-32095-00	. OIL SEAL	1	
23	8K2-13178-00-00	. GEAR, PUMP DRIVE	1	
24	93440-78069-00	CIRCLIP	1	
25	93103-32156-00	OIL SEAL	1	
26	90280-05014-00	KEY, WOODRUFF	1	
27	90170-16182-00	NUT	1	
28	92901-16100-00	WASHER, SPRING	1	

Property of www.SmallEngineDiscount.com - Not for Resale

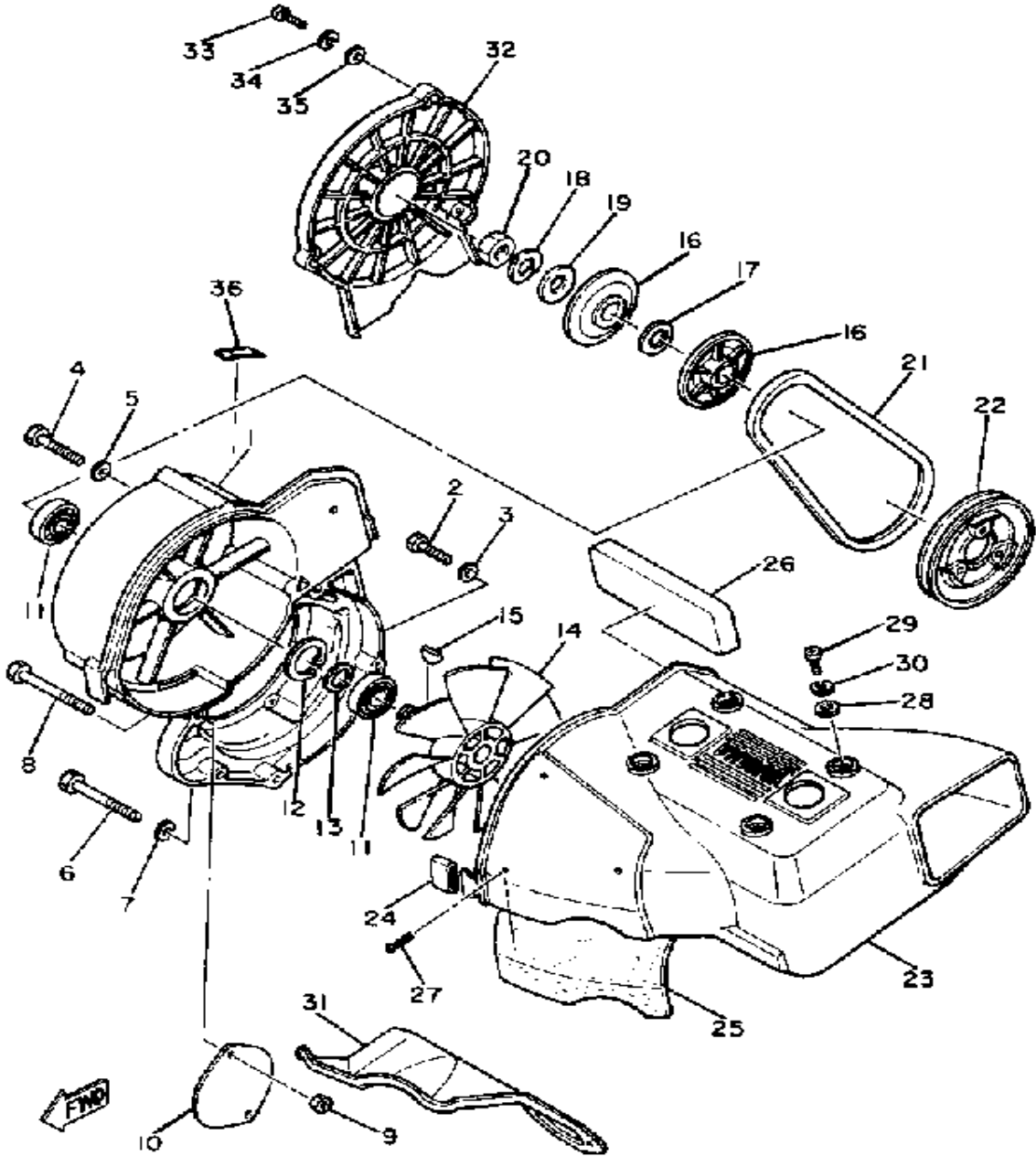
CRANKCASE



Ref. No.	Part Number	Description	Qty	Remarks
1	8H8-15100-02-00	CRANKCASE ASSEMBLY	1	
2	99510-12016-00	. PIN, DOWEL	2	
3	95811-08075-00	BOLT, FLANGE	8	
4	95811-08085-00	BOLT, FLANGE	2	
5	95811-06030-00	BOLT, FLANGE	1	
6	J38-11116-00-00	JOINT, BREATHER	1	
7	97313-08020-00	BOLT, HEXAGON	6	
8	92990-08100-00	WASHER	6	

Property of www.SmallEngineDiscount.com - Not for Resale

AIR SHROUD - FAN

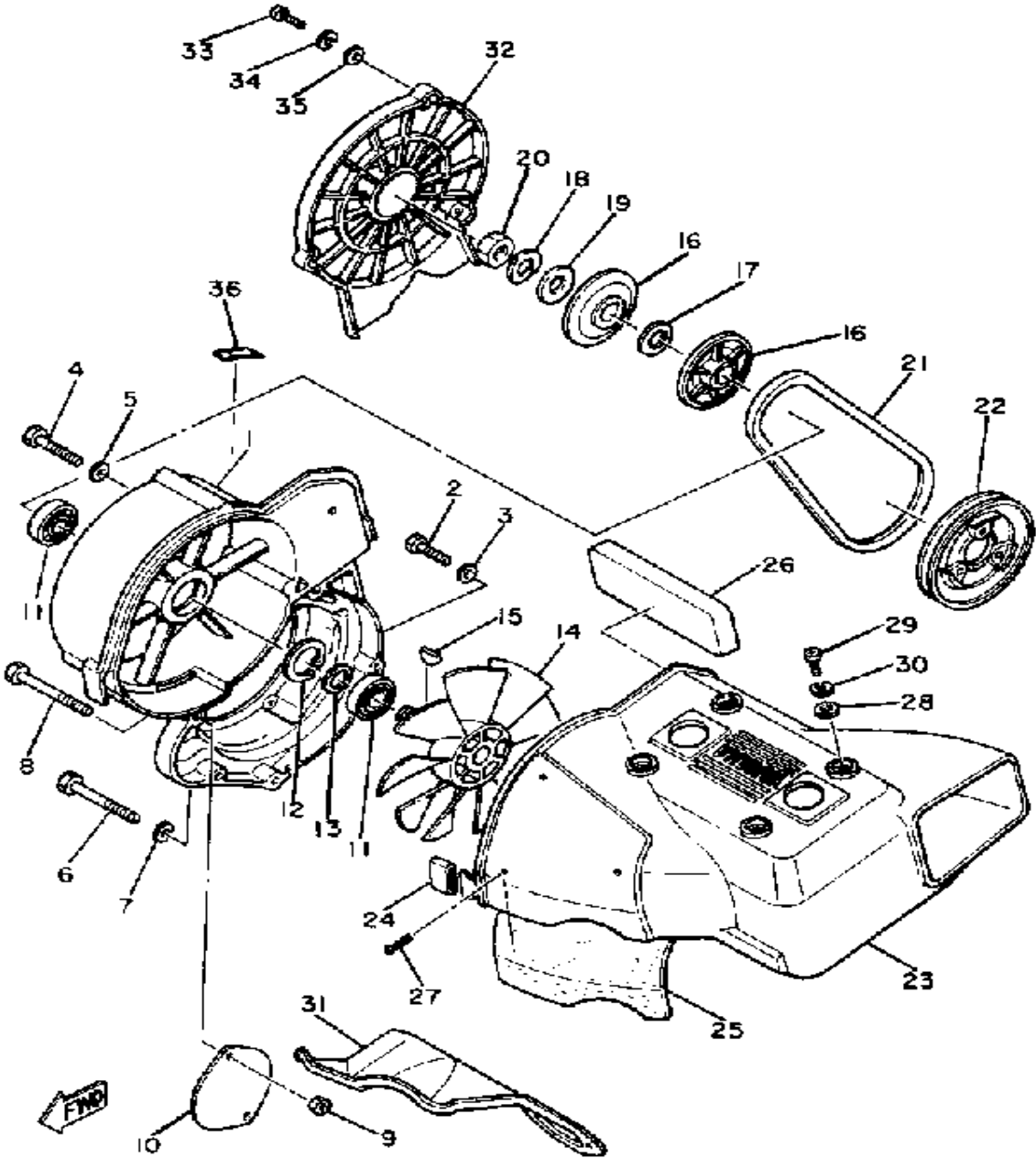


Ref. No.	Part Number	Description	Qty	Remarks
1	8K4-12621-00-00	CASE, FAN	1	
2	97313-08035-00	BOLT, HEXAGON	2	
3	92901-08600-00	WASHER	2	
4	97313-08050-00	BOLT, HEXAGON (90101-08125)	2	
5	92901-08600-00	WASHER	1	
6	97013-08075-00	BOLT	1	
7	92901-08600-00	WASHER	1	
8	97013-08075-00	BOLT	1	
9	95701-08500-00	NUT, FLANGE	2	
10	8K4-12633-00-00	PLATE	1	
11	93306-20331-00	BEARING	2	
12	93420-40064-00	CIRCLIP	1	
13	90201-17713-00	WASHER, PLATE	1	
14	8K4-12611-01-00	FAN	1	
15	90280-05014-00	KEY, WOODRUFF	1	
16	8H8-12619-01-00	PULLEY 2	2	
17	90214-17017-00	WASHER, CLAW (0.5T)	1	U.R.
	90214-17018-00	WASHER, CLAW (1.0T)	1	U.R.
18	92901-16100-00	WASHER, SPRING	1	
19	90201-17713-00	WASHER, PLATE	1	
20	90170-16182-00	NUT	1	
21	8K4-12612-00-00	BELT	1	
22	8H8-12618-01-00	PULLEY 1	1	
23	8K4-12651-00-00	AIR SHROUD, CYLINDER 1	1	
24	8H8-12658-00-00	DAMPER, AIR SHROUD 1	2	
25	8H8-12659-00-00	DAMPER, AIR SHROUD 2	1	
26	8K4-12669-00-00	DAMPER, AIR SHRD 4	1	
27	91401-16030-00	PIN, COTTER	3	
28	90201-06059-00	WASHER, PLATE	4	

CONTINUED ON NEXT FRAME ➤

Property of www.SmallEngineDiscount.com - Not for Resale

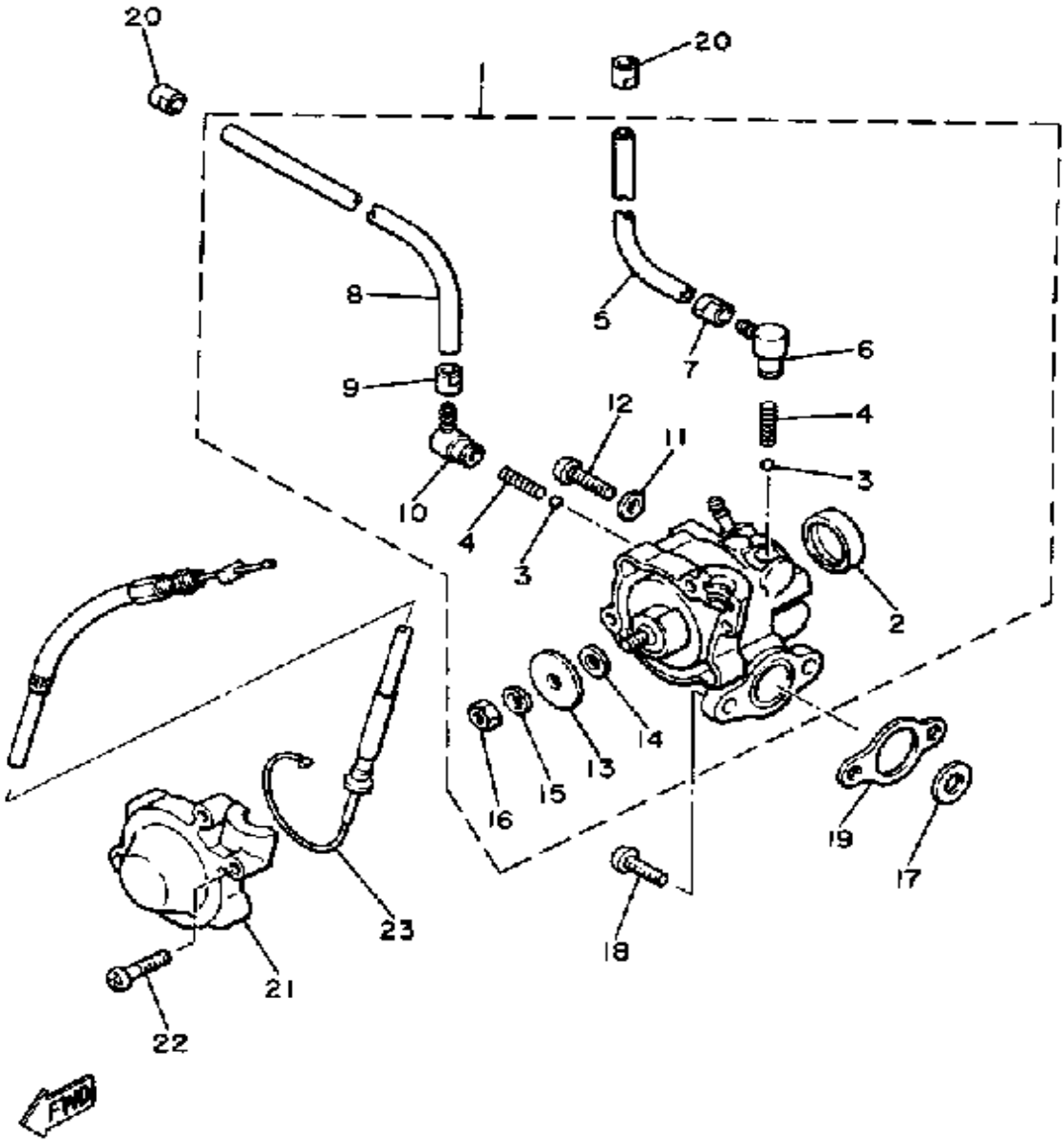
AIR SHROUD - FAN



Ref. No.	Part Number	Description	Qty	Remarks
29	98906-06016-00	SCREW, BIND	4	
30	92906-06100-00	WASHER, SPRING	4	
31	8H8-12652-00-00	AIR SHROUD, CYLINDER 2 ...	1	
32	8K4-12616-00-00	COVER, FAN CASE	1	
33	98506-06025-00	SCREW, PAN HEAD	3	
34	92906-06100-00	WASHER, SPRING	3	
35	90201-062A8-00	WASHER, PLATE	3	
36	8K4-12628-00-00	LABEL, CAUTION	1	

Property of www.SmallEngineDiscount.com - Not for Resale

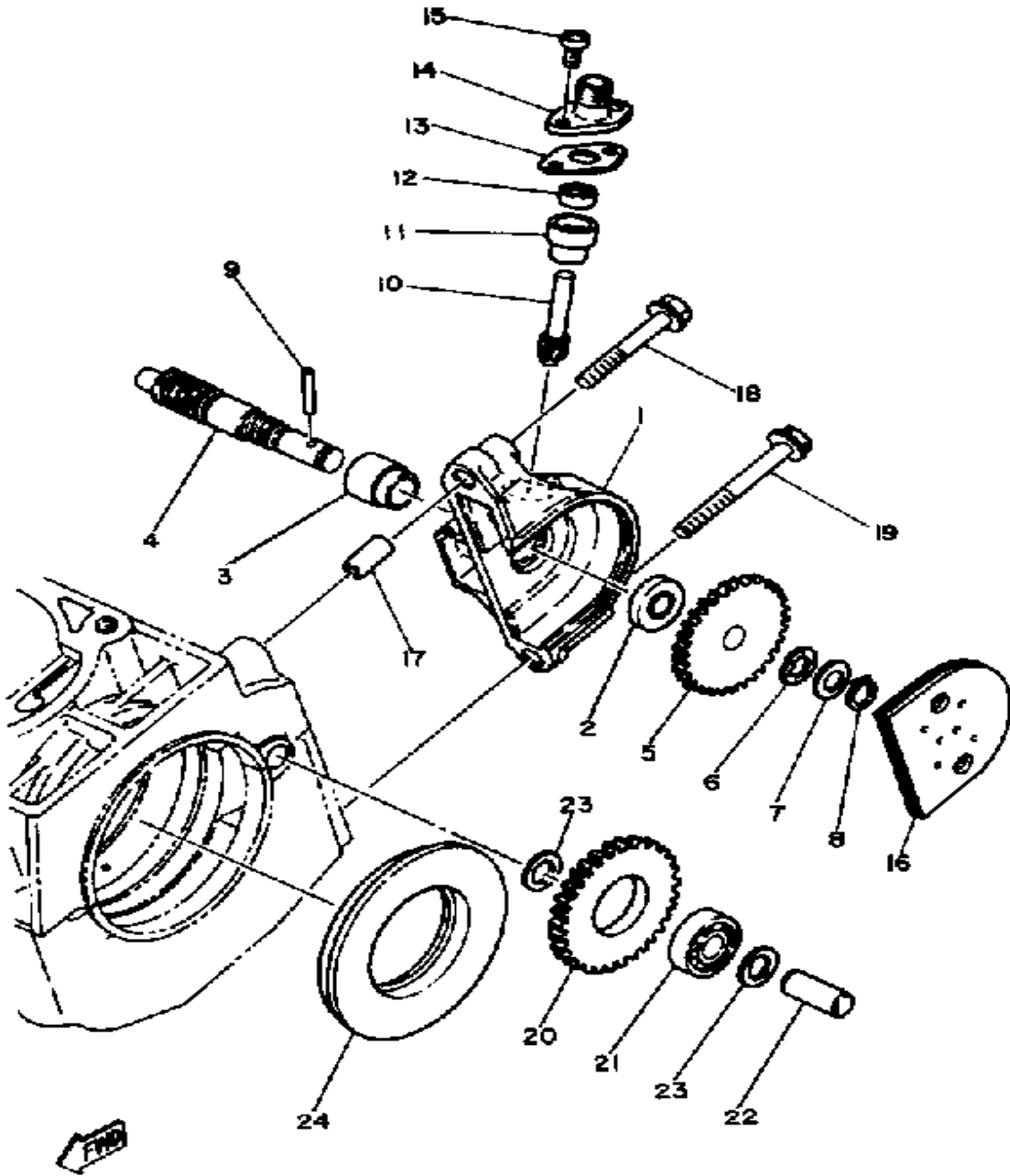
OIL PUMP



Ref. No.	Part Number	Description	Qty	Remarks
1	8K4-13101-00-00	OIL PUMP ASSEMBLY	1	
2	90338-21100-00	. PLUG	1	
3	93505-32002-00	. BALL	2	
4	90501-02018-00	. SPRING, COMPRESSION	2	
5	90445-05350-00	. HOSE (3-100)	1	
6	353-13552-01-00	. NOZZLE	1	
7	90468-02033-00	. CLIP	1	
8	90445-05301-00	. HOSE (214-13161-01)	1	
9	90468-02033-00	. CLIP	1	
10	353-13552-01-00	. NOZZLE	1	
11	90430-04004-00	. GASKET	1	
12	90157-04009-00	. SCREW, PAN HEAD	1	
13	137-13138-01-00	. PLATE, ADJUSTING	1	
14	137-13137-00-03	. SHIM (0.3T)	1	U.R.
	137-13137-00-05	. SHIM (0.5T)	1	U.R.
	137-13137-00-10	. SHIM (1.0T)	1	U.R.
15	92990-05100-00	. WASHER, SPRING	1	
16	95380-05600-00	. NUT	1	
17	90201-08624-00	WASHER, PLATE	1	
18	98580-05014-00	SCREW, PAN HEAD	2	
19	3MT-13116-00-00	GASKET, PUMP CASE (8Y0-13116-00)	1	
20	90468-02033-00	CLIP	2	
21	8A5-13146-01-00	COVER, ADJUST PULLEY	1	
22	98506-04018-00	SCREW, PAN HEAD	3	
23	8L8-26320-02-00	PUMP CABLE ASSEMBLY	1	

Property of www.SmallEngineDiscount.com - Not for Resale

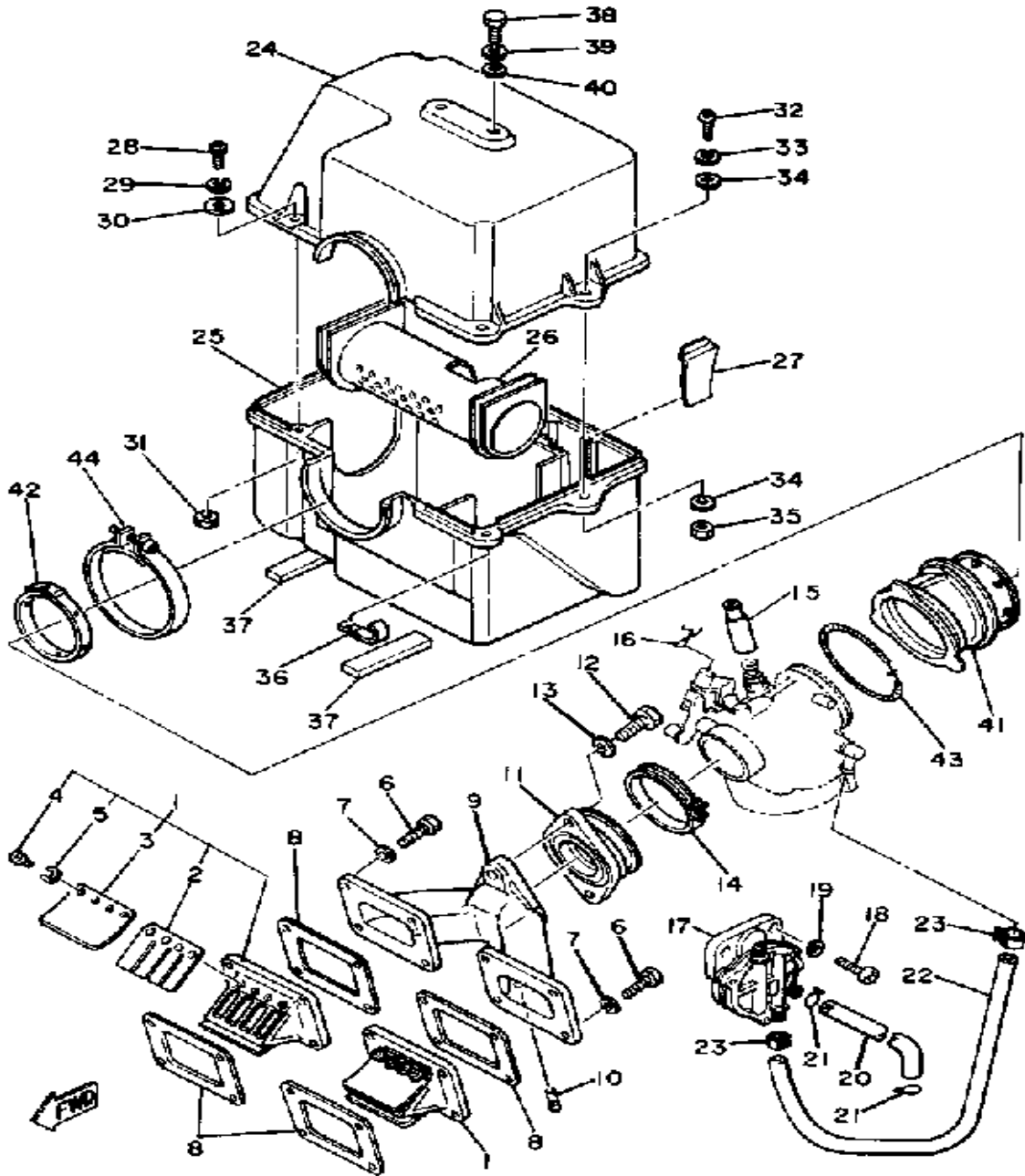
PUMP DRIVE - GEAR



Ref. No.	Part Number	Description	Qty	Remarks
1	8H8-15416-00-00	COVER, OIL PUMP	1	
2	93101-10090-00	OIL SEAL	1	
3	821-13176-00-00	METAL, WORM SHAFT OUTER	1	
4	866-13175-00-00	SHAFT, WORM	1	
5	821-13188-00-00	GEAR, DRIVE (32T)	1	
6	90206-11016-00	WASHER, WAVE	1	
7	137-13148-00-00	PLATE, CAM THRUST	1	
8	99009-10400-00	CIRCLIP	1	
9	93603-22028-00	PIN, DOWEL	1	
10	813-17841-00-00	GEAR, DRIVEN (10T)	1	
11	821-17843-00-00	BUSH, DRIVEN GEAR OUTER	1	
12	93104-06033-00	OIL SEAL	1	
13	821-17818-02-00	GASKET	1	
14	821-17819-00-00	CAP, HOUSING	1	
15	98580-05010-00	SCREW, PAN HEAD	2	
16	8K4-15426-00-00	COVER, OIL PUMP 2	1	
17	99510-08016-00	PIN, DOWEL	2	
18	95811-06040-00	BOLT, FLANGE	1	
19	95811-06055-00	BOLT, FLANGE (95802-06055)	1	
20	8H8-13179-00-00	GEAR, IDLE (34T)	1	
21	93306-00002-00	BEARING (B6000RS)	1	
22	8G8-13342-00-00	SHAFT, IDLE GEAR	1	
23	90201-10119-00	WASHER, PLATE	2	
24	8K4-13119-00-00	SEAL, GREASE	1	

Property of www.SmallEngineDiscount.com - Not for Resale

INTAKE

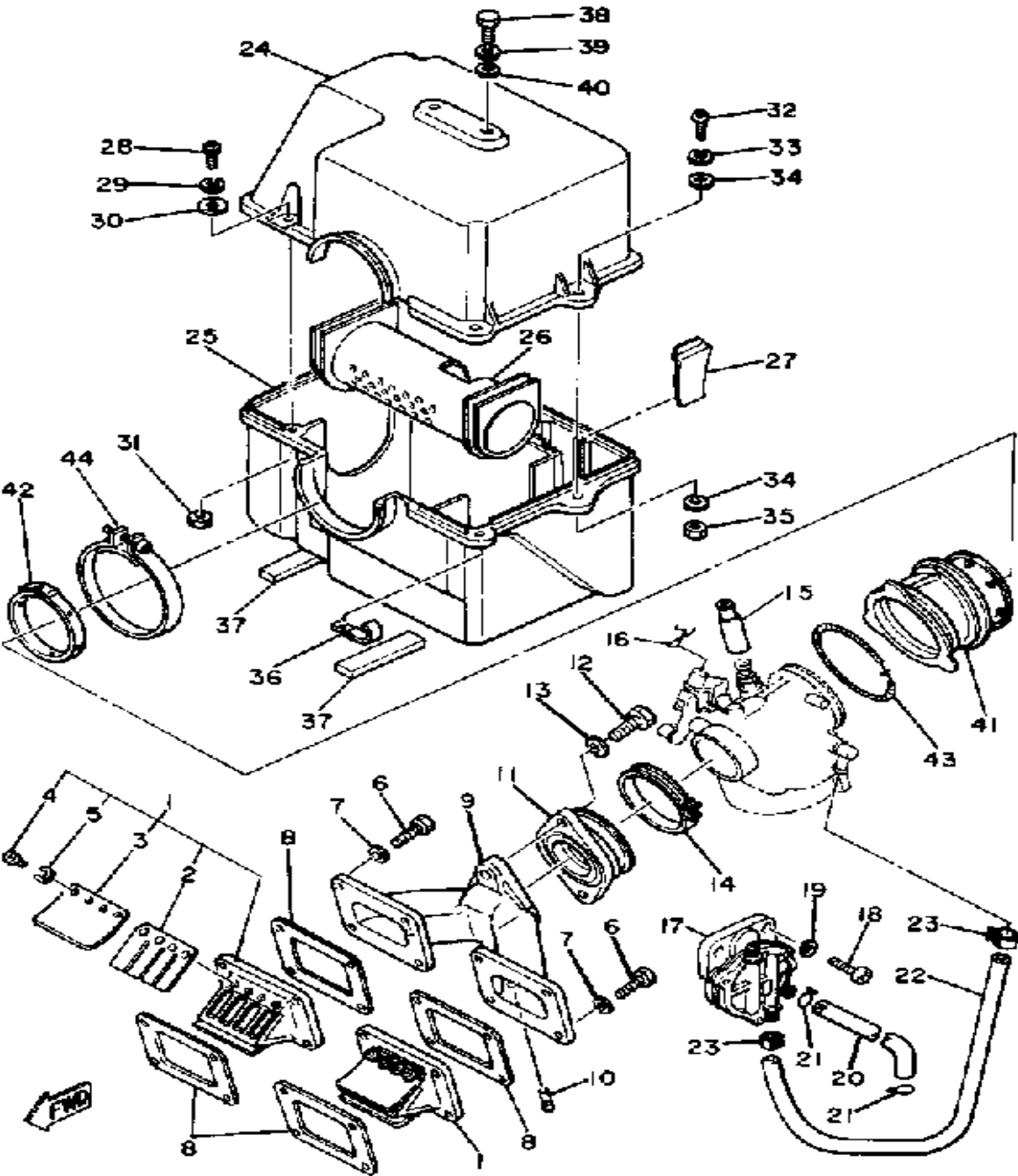


Ref. No.	Part Number	Description	Qty	Remarks
1	8AT-13610-00-00	REED VALVE ASSEMBLY	2	
2	8AT-13613-00-00	. REED, VALVE	4	
3	8H8-13616-00-00	. STOPPER, REED VALVE	4	
4	98580-03008-00	. SCREW, PAN HEAD	16	
5	92990-03100-00	. WASHER, SPRING (92901-03100)	16	
6	97011-06025-00	BOLT (97001-06025)	8	
7	92901-06600-00	WASHER	8	
8	8Y7-13556-01-00	GASKET, MANIFOLD	4	
9	8L8-13565-00-00	JOINT, CARBURETOR	1	
10	824-13552-00-00	NOZZLE	2	
11	8H8-13555-01-00	MANIFOLD, INTAKE	1	
12	97001-08025-00	BOLT (1NV)	2	
13	92901-08600-00	WASHER	2	
14	90460-60084-00	CLAMP, HOSE	1	
15	8J5-26352-00-00	BOOT	1	
16	830-41222-00-00	CLAMP, THROTTLE	1	
17	8K4-24410-00-00	FUEL PUMP ASSEMBLY	1	
18	98580-06020-00	SCREW	2	
19	92995-06100-00	WASHER, SPRING	2	
20	90445-10140-00	HOSE	1	
21	90467-09006-00	CLIP	2	
22	90446-11290-00	HOSE	1	
23	90467-11028-00	CLIP	2	
24	8K4-14431-00-00	SILENCER, INTAKE 1	1	
25	8K4-14441-01-00	SILENCER, INTAKE 2	1	
26	8L8-14466-01-00	PIPE	1	
27	8K4-14477-00-00	PLATE	2	
28	98580-05016-00	SCREW, PAN HEAD	3	

CONTINUED ON NEXT FRAME ➤

Property of www.SmallEngineDiscount.com - Not for Resale

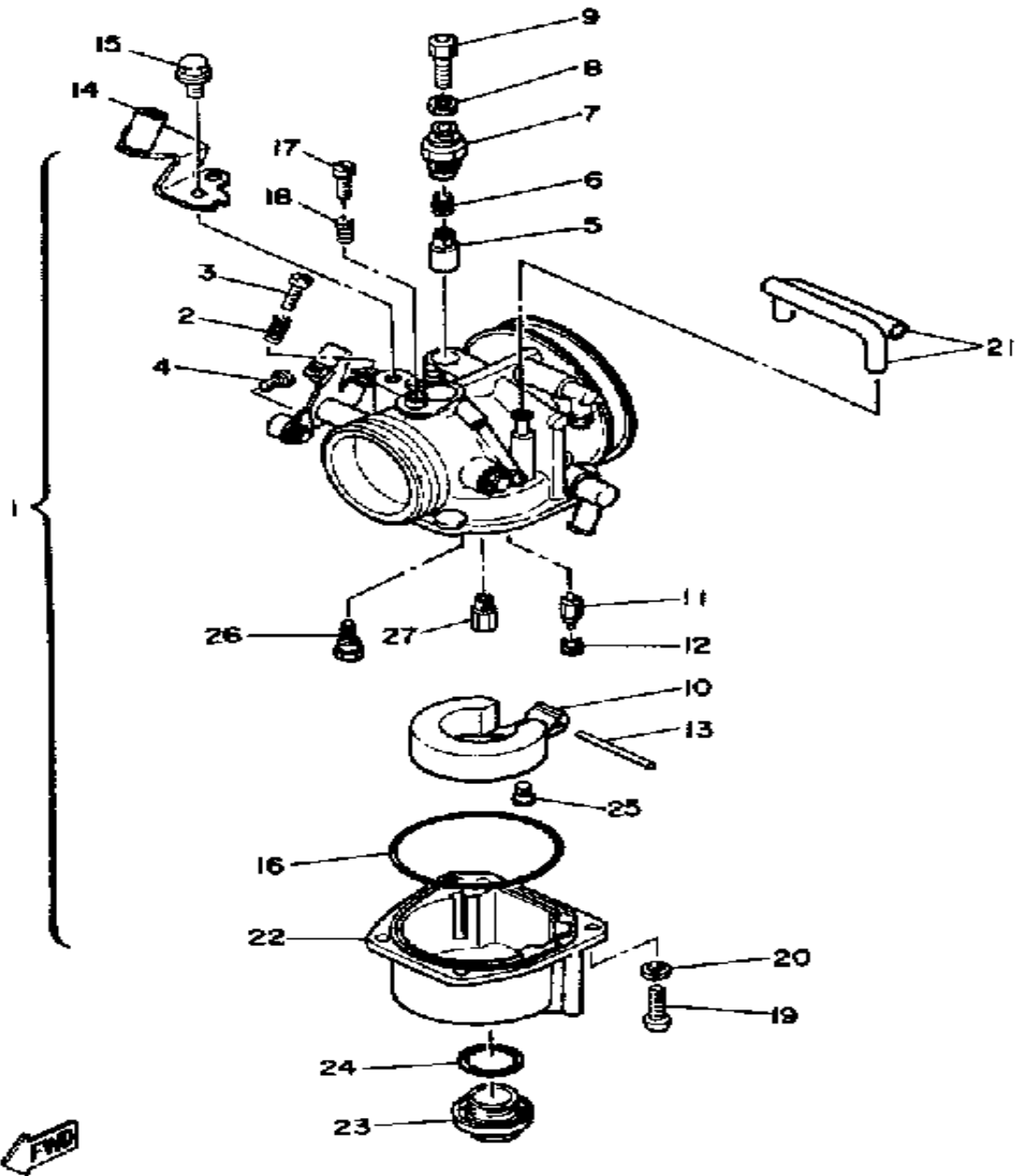
INTAKE



Ref. No.	Part Number	Description	Qty	Remarks
29	92990-05100-00	WASHER, SPRING	3	
30	92901-05600-00	WASHER, PLATE	3	
31	95311-05700-00	NUT	3	
32	98511-06025-00	SCREW PAN HEAD (92501-06025)	2	
33	92995-06100-00	WASHER, SPRING	2	
34	92990-06200-00	WASHER	4	
35	95380-06600-00	NUT	2	
36	90462-06058-00	CLAMP	1	
37	8K4-14425-00-00	DAMPER 1	2	
38	97313-06016-00	BOLT, HEXAGON	2	
39	92995-06100-00	WASHER, SPRING	2	
40	90201-062A8-00	WASHER, PLATE	2	
41	(8L0-14453-01-00)	JOINT, AIR CLNR 1	1	
42	8L8-14455-00-00	BAND	1	
43	90506-06083-00	SPRING, TENSION	1	
44	90460-75020-00	CLAMP, HOSE	1	

Property of www.SmallEngineDiscount.com - Not for Resale

CARBURETOR

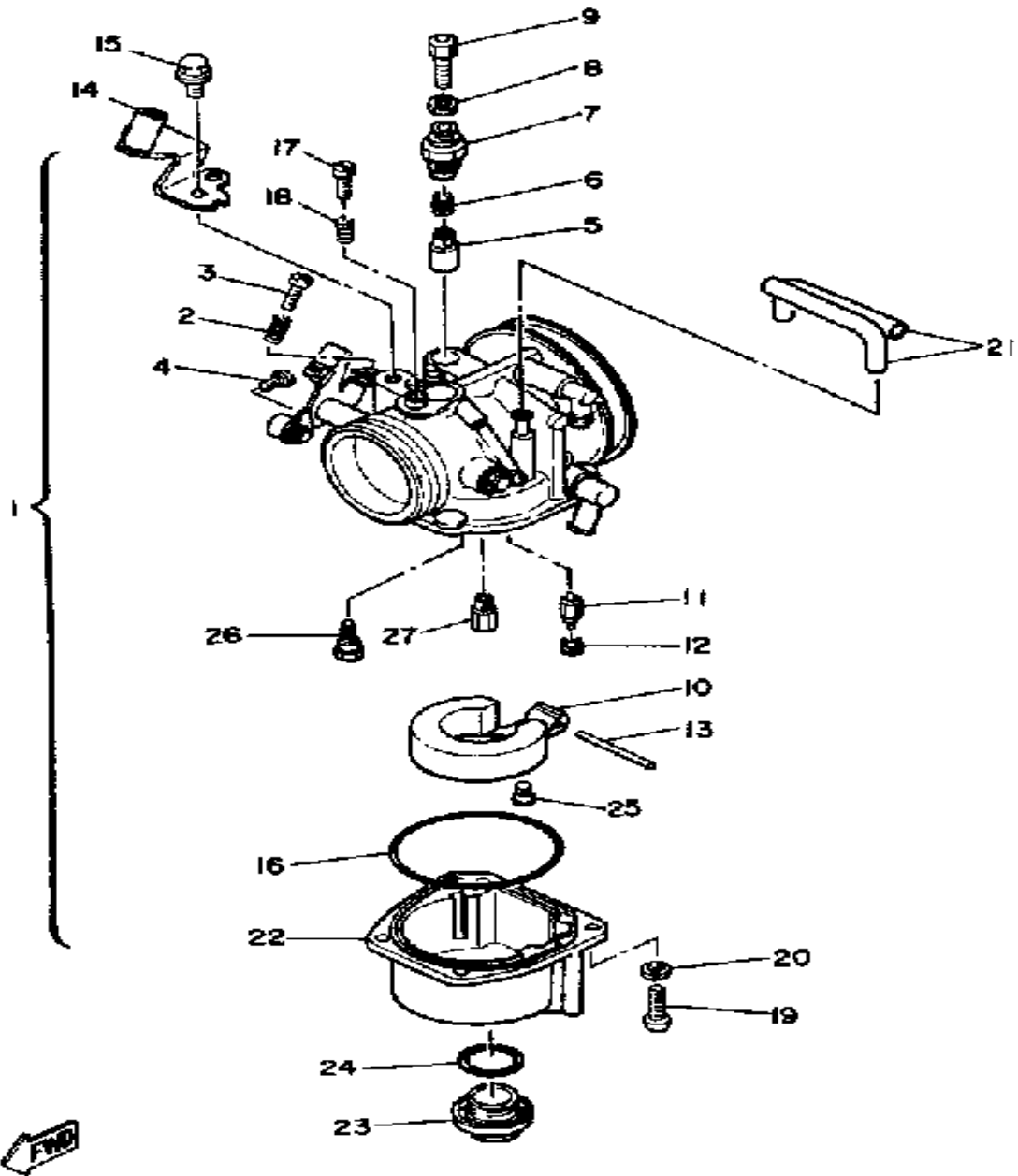


Ref. No.	Part Number	Description	Qty	Remarks
1	8L8-14101-01-00	CARBURETOR ASSEMBLY 1	1	
2	90501-12229-00	. SPRING, COMPRESSION	1	
3	90157-04010-00	. SCREW, PAN HEAD	1	
4	98580-04008-00	. SCREW, PAN HEAD	1	
5	371-14993-60-00	. PLUNGER, STARTER	1	
6	90501-08443-00	. SPRING, COMPRESSION	1	
7	8A6-14969-00-00	. CAP	1	
8	8E7-14161-00-00	. NUT, CABLE ADJUSTING	1	
9	8A6-14977-00-00	. SHAFT, STARTER LEVER	1	
10	8G6-14985-01-00	. FLOAT	1	
11	8E7-14546-01-00	. VALVE, NEEDLE	1	
12	663-14159-00-00	. CLIP	1	
13	663-14548-00-00	. PIN, FLOAT ARM	1	
14	8G6-14572-00-00	. PLATE, STAY	1	
15	8G6-14592-00-00	. SCREW	1	
16	8G6-14984-00-00	. GASKET, FLOAT CHAMBER	1	
17	8G6-14521-00-00	. SCREW, ADJUST	1	
18	90501-08214-00	. SPRING, COMPRESSION	1	
19	(97602-04114-00)	SCREW, PN/HD.W/WSHR	4	
20	92901-04100-00	. WASHER, SPRING	4	
21	8G6-14994-01-00	. NET, FILTER	2	
22	8K4-14980-00-00	. BODY, FLOAT CHAMBER	1	
23	8M7-14992-00-00	. ROD	1	
24	93210-19309-00	. O-RING	1	
25	98701-04008-00	. SCREW, FLAT HEAD	1	
26	8G6-14948-19-00	. JET # 0	1	
27	8A6-14516-30-00	. JET, MAIN #1 0	1	U.R.
	8A6-14516-35-00	. JET, MAIN #1 5	1	U.R.
	8A6-14516-40-00	. JET, MAIN #1 0	1	U.R.

CONTINUED ON NEXT FRAME ➤

Property of www.SmallEngineDiscount.com - Not for Resale

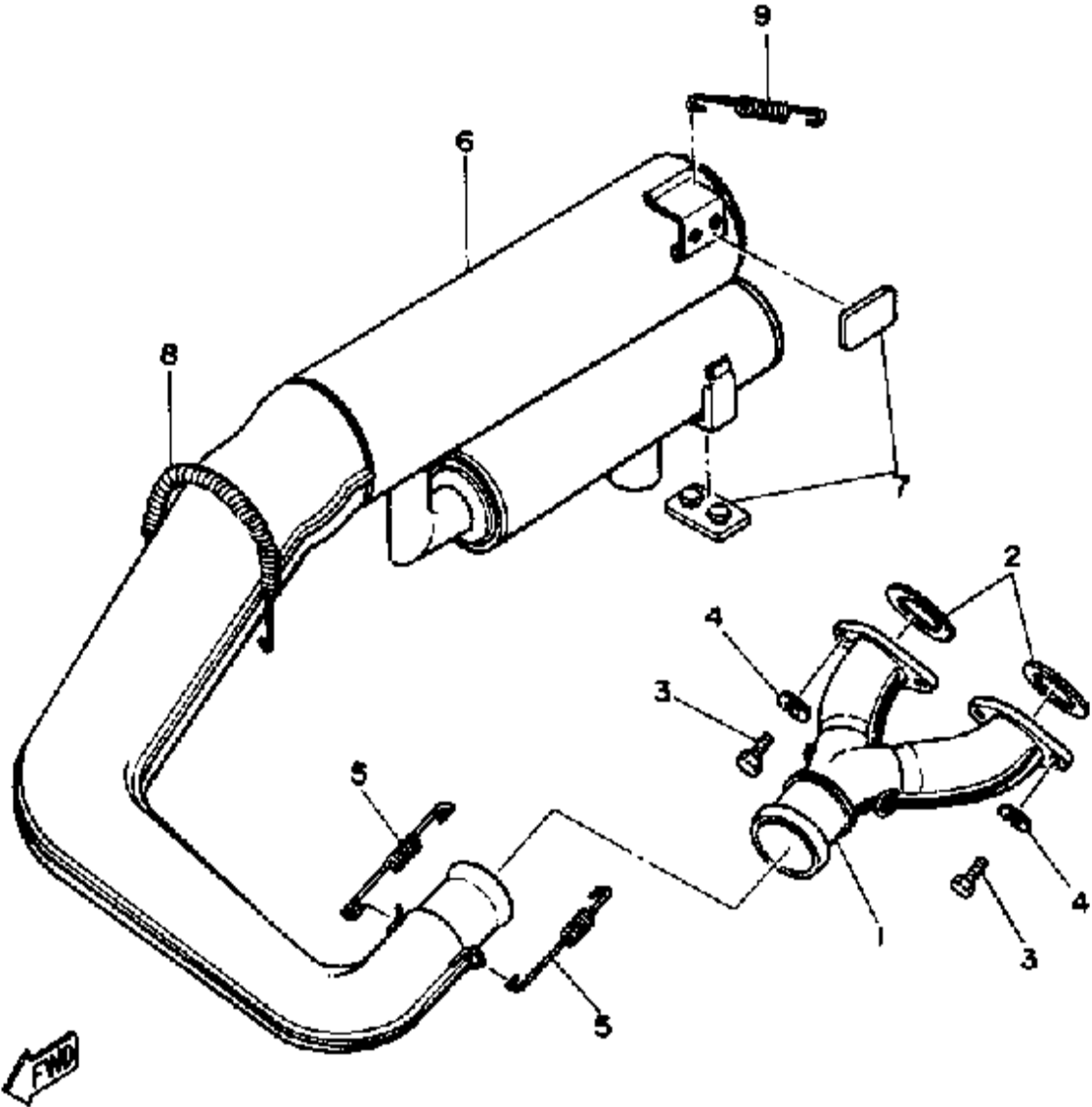
CARBURETOR



Ref. No.	Part Number	Description	Qty	Remarks
27	8A6-14516-45-00	. JET, MAIN #1 5	1	U.R.
	8A6-14516-50-00	. JET, MAIN #1 0	1	U.R.
	8A6-14516-55-00	. JET, MAIN #1 5	1	U.R.
	8A6-14516-60-00	. JET, MAIN #1 0	1	U.R. STD
	8A6-14516-65-00	. JET, MAIN #1 5	1	U.R.

Property of www.SmallEngineDiscount.com - Not for Resale

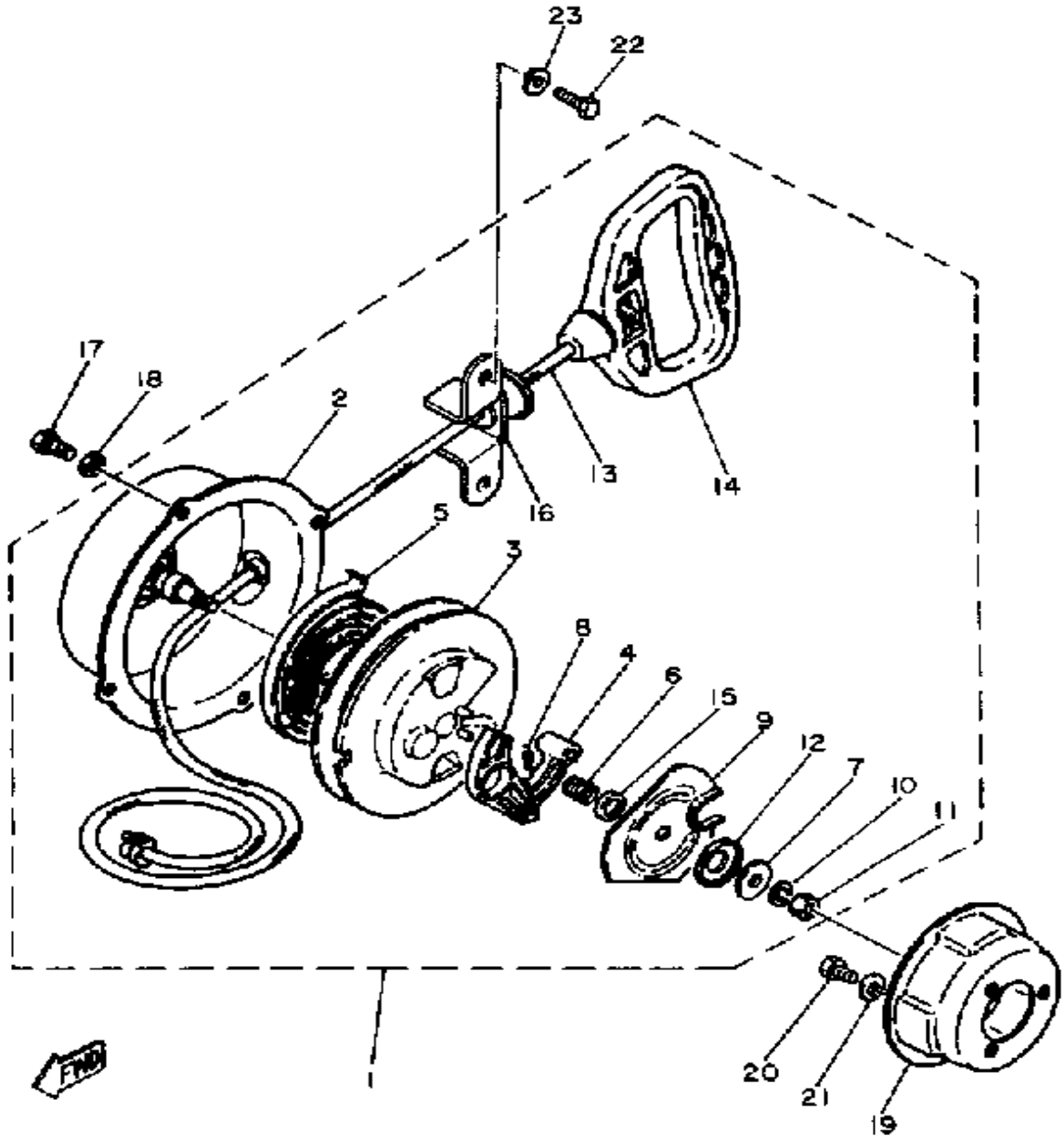
EXHAUST



Ref. No.	Part Number	Description	Qty	Remarks
1	8K4-14610-00-00	EXHAUST PIPE ASSEMBLY 1	1	
2	821-14613-01-00	GASKET, EXHAUST PIPE	2	
3	97313-08020-00	BOLT, HEXAGON	4	
4	92990-08100-00	WASHER	4	
5	821-14773-00-00	SPRING, MUFFLER	2	
6	8K4-14710-01-00	MUFFLER ASSEMBLY L (8K4-14710-00)	1	
7	8A5-14728-02-00	PROTECTOR, MUFFLER 2	2	
8	90506-14207-00	SPRING, TENSION	1	
9	90506-16212-00	SPRING, TENSION	1	

Property of www.SmallEngineDiscount.com - Not for Resale

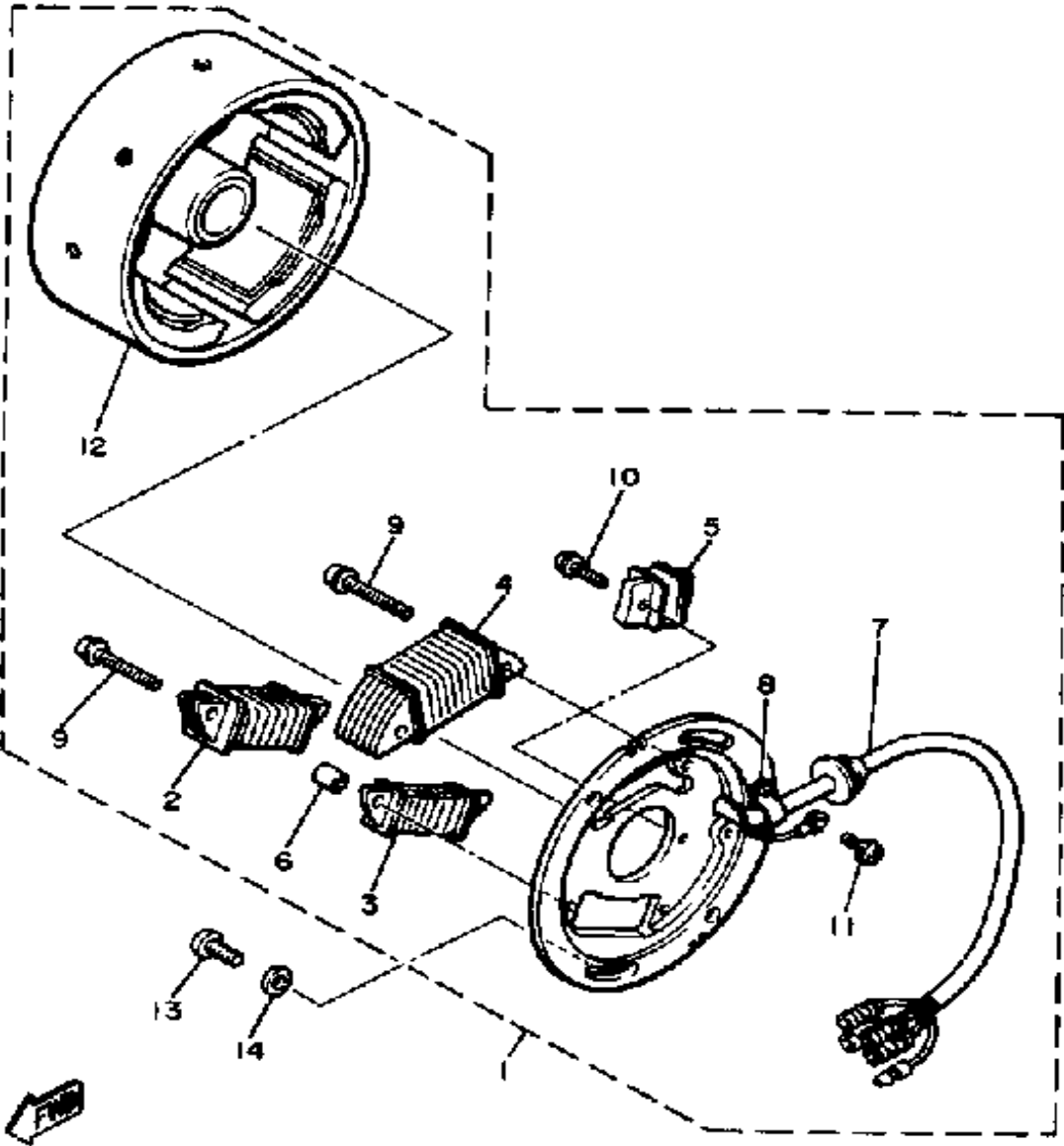
STARTER



Ref. No.	Part Number	Description	Qty	Remarks
1	8K4-15710-00-00	STARTER ASSEMBLY	1	
2	8H8-15711-00-00	. CASE, STARTER	1	
3	8F3-15714-01-00	. DRUM, SHEAVE	1	
4	8F3-15741-01-00	. PAWL, DRIVE	1	
5	8Y0-15713-00-00	. SPRING, STARTER	1	
6	8F3-15715-00-00	. SPRING, FRICTION	1	
7	8F3-15739-01-00	. WASHER, THRUST	1	
8	8F3-15734-00-00	. SPRING, RETURN	1	
9	8F3-15716-03-00	. PLATE, DRIVE	1	
10	92995-06100-00	. WASHER, SPRING	1	
11	95380-06700-00	. NUT	1	
12	8G5-15739-00-00	. WASHER, THRUST	1	
13	857-15751-00-00	. WIRE, STARTER	1	
14	8F3-15755-00-00	. HANDLE, STARTER	1	
15	82M-15779-00-00	. COVER	1	
16	8K4-15788-00-00	HOLDER, HANDLE	1	
17	97026-06014-00	BOLT	4	
18	92906-06100-00	WASHER, SPRING	4	
19	8H8-15723-01-00	PULLEY, STARTER	1	
20	97313-08020-00	BOLT, HEXAGON	3	
21	92990-08100-00	WASHER	3	
22	97026-06012-00	BOLT	2	
23	92906-06100-00	WASHER, SPRING	2	

Property of www.SmallEngineDiscount.com - Not for Resale

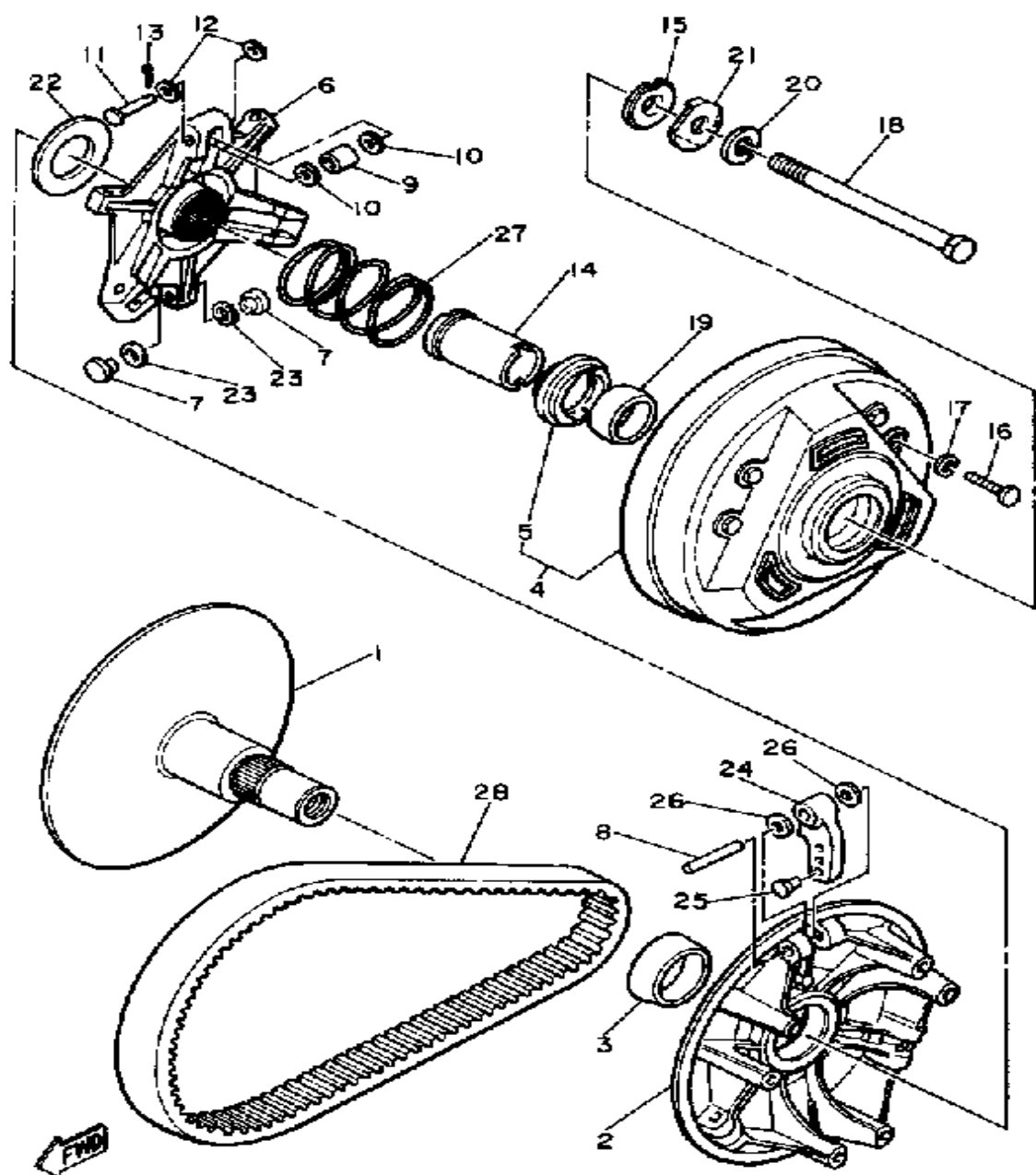
C - D - I - MAGNETO



Ref. No.	Part Number	Description	Qty	Remarks
1	8H8-81891-00-00	GEAR, RING	1	
2	8H4-85511-20-00	. COIL SOURCE 1	1	
3	8H5-85541-20-00	. COIL, CHARGE	1	
4	8G8-85513-20-00	. COIL, LIGHTING 1	1	
5	8H4-85580-20-00	. COIL, PULSER (8G8-85580-20)	1	
6	8G8-85519-20-00	. SPACER	2	
7	8G8-85515-20-00	. LEAD WIRE ASSEMBLY	1	
8	104-81328-20-00	. CLAMP	1	
9	98501-05035-00	. SCREW, PAN HEAD	4	
10	98501-05035-00	. SCREW, PAN HEAD	2	
11	98501-05035-00	. SCREW, PAN HEAD	1	
12	8J9-85550-20-00	. ROTOR ASSEMBLY (8K1-85550-20)	1	
13	98903-06014-00	SCREW, BIND	2	
14	90201-06043-00	WASHER, PLATE	2	

Property of www.SmallEngineDiscount.com - Not for Resale

PRIMARY SHEAVE

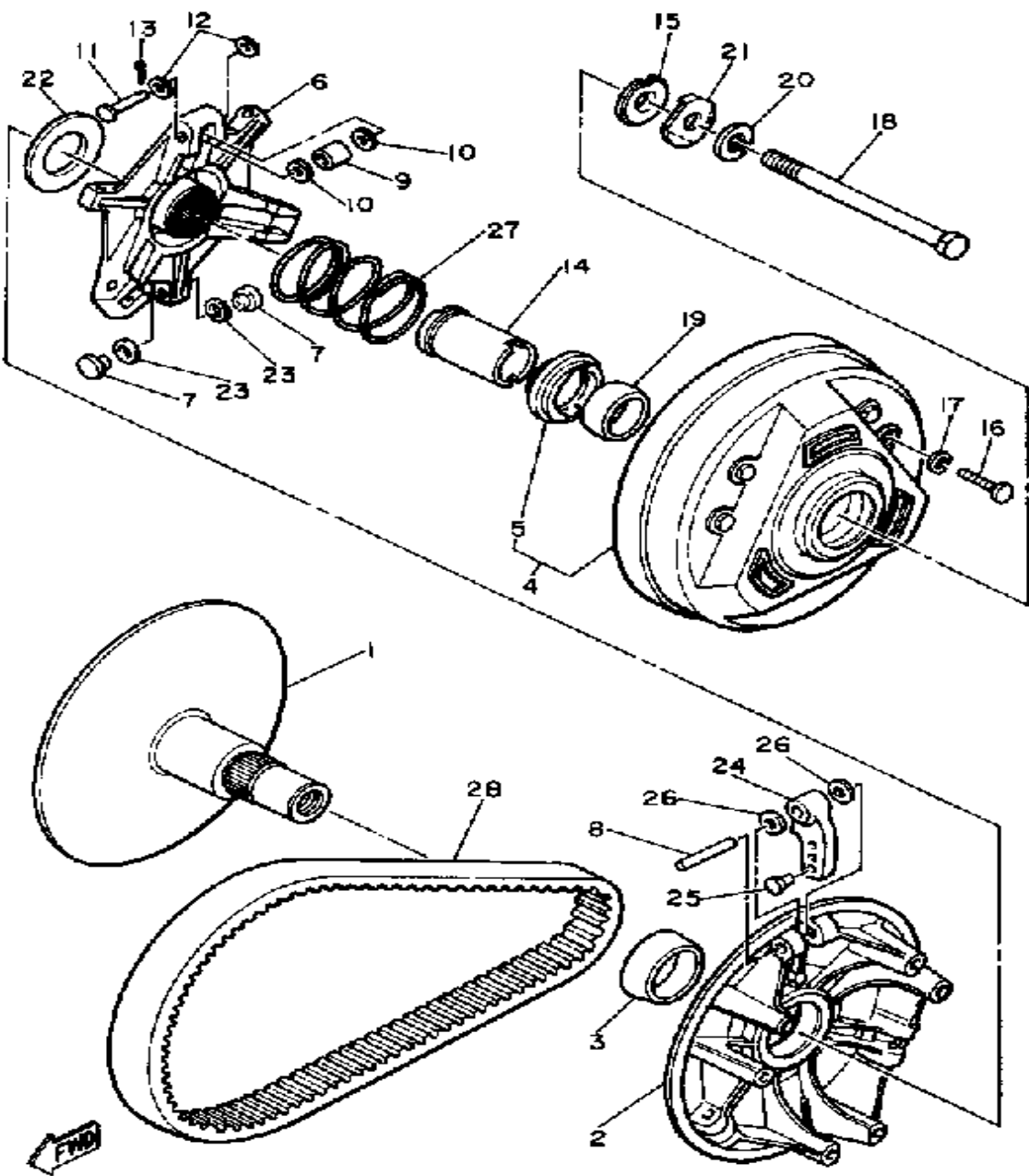


Ref. No.	Part Number	Description	Qty	Remarks
1	8J0-17610-01-00	PRI FIXED SHEAVE	1	
2	8E7-17621-01-00	SHEAVE, PRI SLIDING	1	
3	90389-41018-00	BUSH, SPEC'L SHAPE	1	
4	8E7-W1762-00-00	PRI. SHEAVE CAP	1	
5	8E7-17644-02-00	. SEAT, SPRING	1	
6	8J0-17627-00-00	SPIDER	1	
7	8F2-17653-00-00	SLIDER	6	
8	93607-44120-00	PIN, DOWEL	3	
9	8K2-17645-00-00	COLLAR	3	
10	90202-06113-00	WASHER, PLATE	6	
11	90240-06062-00	PIN, CLEVIS	3	
12	92990-06200-00	WASHER	6	
13	91401-25020-00	PIN, COTTER	3	
14	90387-28721-00	COLLAR	1	
15	8J0-17654-00-00	SPACER 1	1	
16	97313-06030-00	BOLT, HEXAGON	6	
17	92995-06100-00	WASHER, SPRING	6	
18	90101-13406-00	BOLT	1	
19	90389-34019-00	BUSH, SPEC'L SHAPE	1	
20	90204-13010-00	WASHER, SPRING	1	
21	90215-13047-00	WASHER, LOCK	1	
22	90201-32710-00	WASHER, PLATE	1	
23	90201-090A4-00	WASHER, PLATE	1	U.N.
24	8L8-17632-00-00	WEIGHT, CLUTCH	3	
25	90261-06015-00	RIVET, COUNTERSUNK (ST10.3MM)	6	
26	90201-07641-00	WASHER, PLATE	6	
27	90501-55241-00	SPRING, COMPRESSION	1	
28	8F2-17641-01-00	V-BELT	1	

CONTINUED ON NEXT FRAME ►

Property of www.SmallEngineDiscount.com - Not for Resale

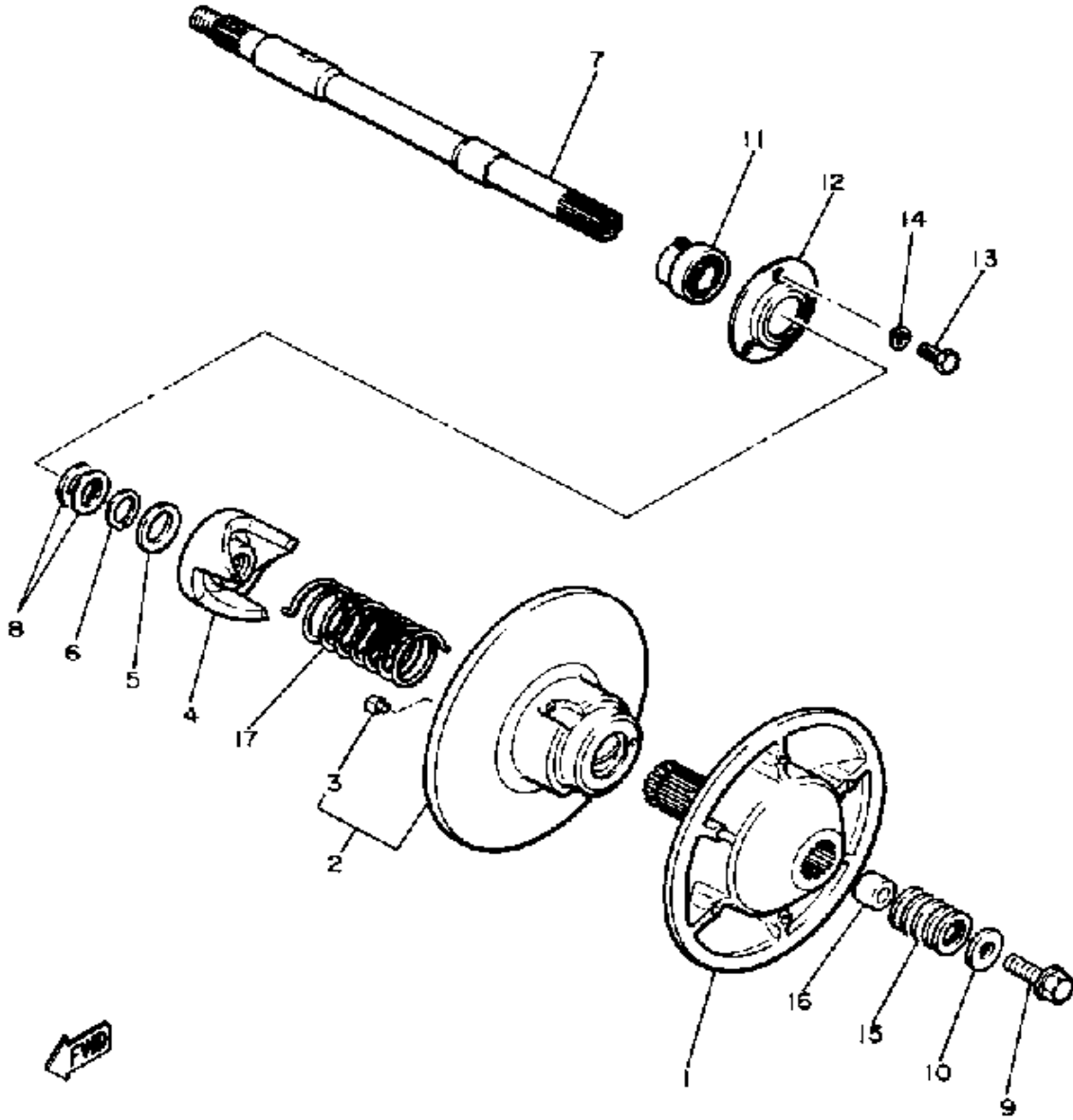
PRIMARY SHEAVE



Ref. No.	Part Number	Description	Qty	Remarks
28	8K2-17602-09-00	CLUTCH SUB ASSEMBLY 1	OPTIONAL KITSWITH +
	8L9-00000-50-00	CLTCH TUNE UP KIT 1	OPTIONAL KITSWITH +
	8L9-17000-10-00	CLUTCH WEIGHT KIT 1	OPTIONAL KITSWITH +

Property of www.SmallEngineDiscount.com - Not for Resale

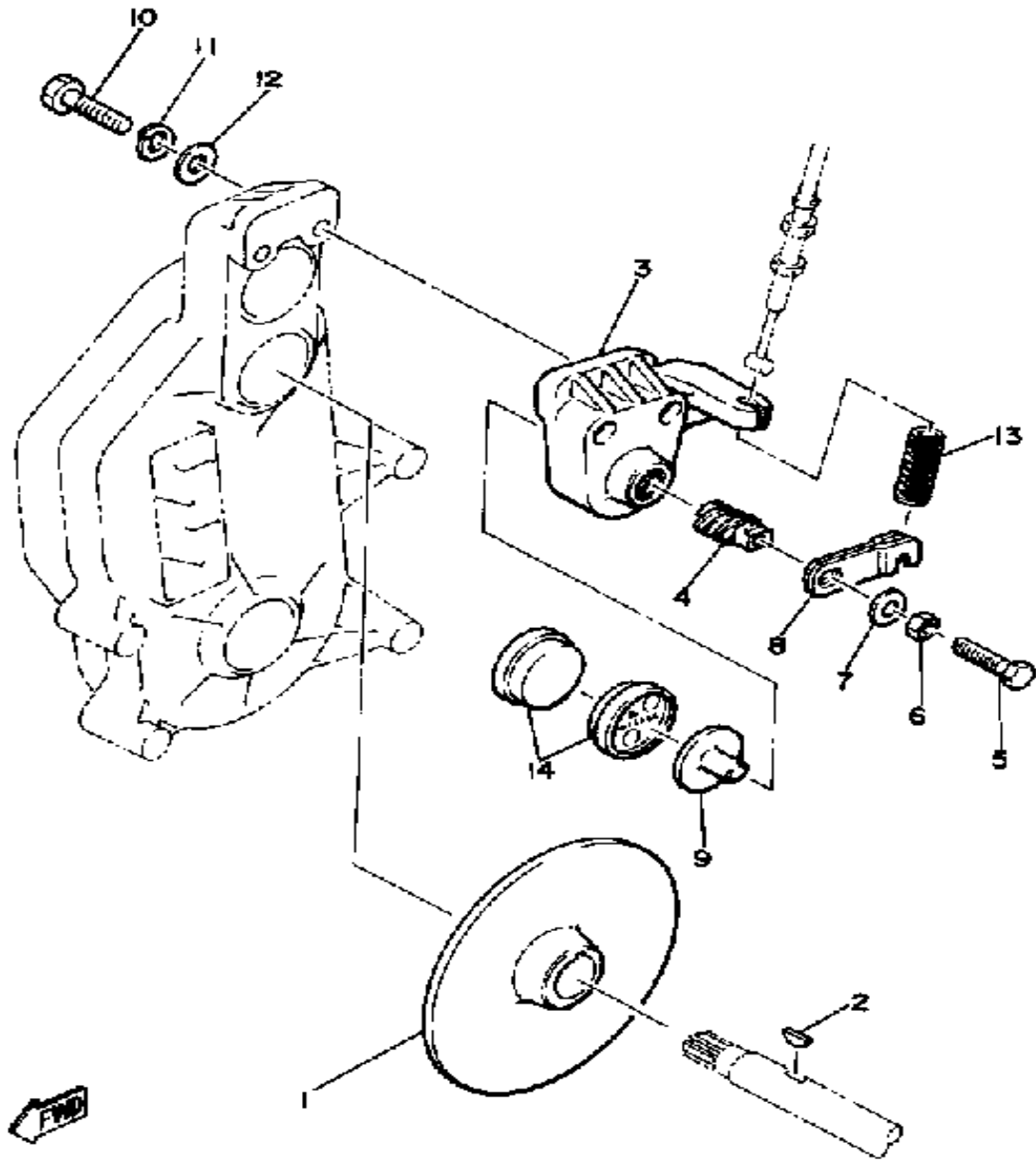
SECONDARY SHEAVE



Ref. No.	Part Number	Description	Qty	Remarks
1	8K4-17660-00-00	SEC FXD SHV	1	
2	99999-01794-00	SEC.SLDNG.SHV.SET	1	
3	8X6-17688-00-00	. SHOE, RAMP	3	
4	8K4-17684-00-00	SEAT, SEC SPRING	1	
5	90201-34684-00	WASHER, PLATE	1	
6	93440-34170-00	CIRCLIP	1	
7	82M-17681-00-00	SHAFT, SECONDARY	1	
8	90201-25526-00	WASHER, PLATE (T2.0)	1	U.R.
	90201-25527-00	WASHER, PLATE (T1.0)	1	U.R.
9	90105-14175-00	BOLT, WASHER BASED	1	
10	90201-140A6-00	WASHER, PLATE	1	
11	8L8-17678-00-00	BEARING	1	
12	8K4-47631-01-00	HOUSING, BEARING	1	
13	97011-08016-00	BOLT	3	
14	92990-08100-00	WASHER	3	
15	90201-225A4-00	WASHER, PLATE (T1.0)	5	U.N.
16	90387-147A8-00	COLLAR	1	
17	90508-45286-00	SPRING, TORSION	1	

Property of www.SmallEngineDiscount.com - Not for Resale

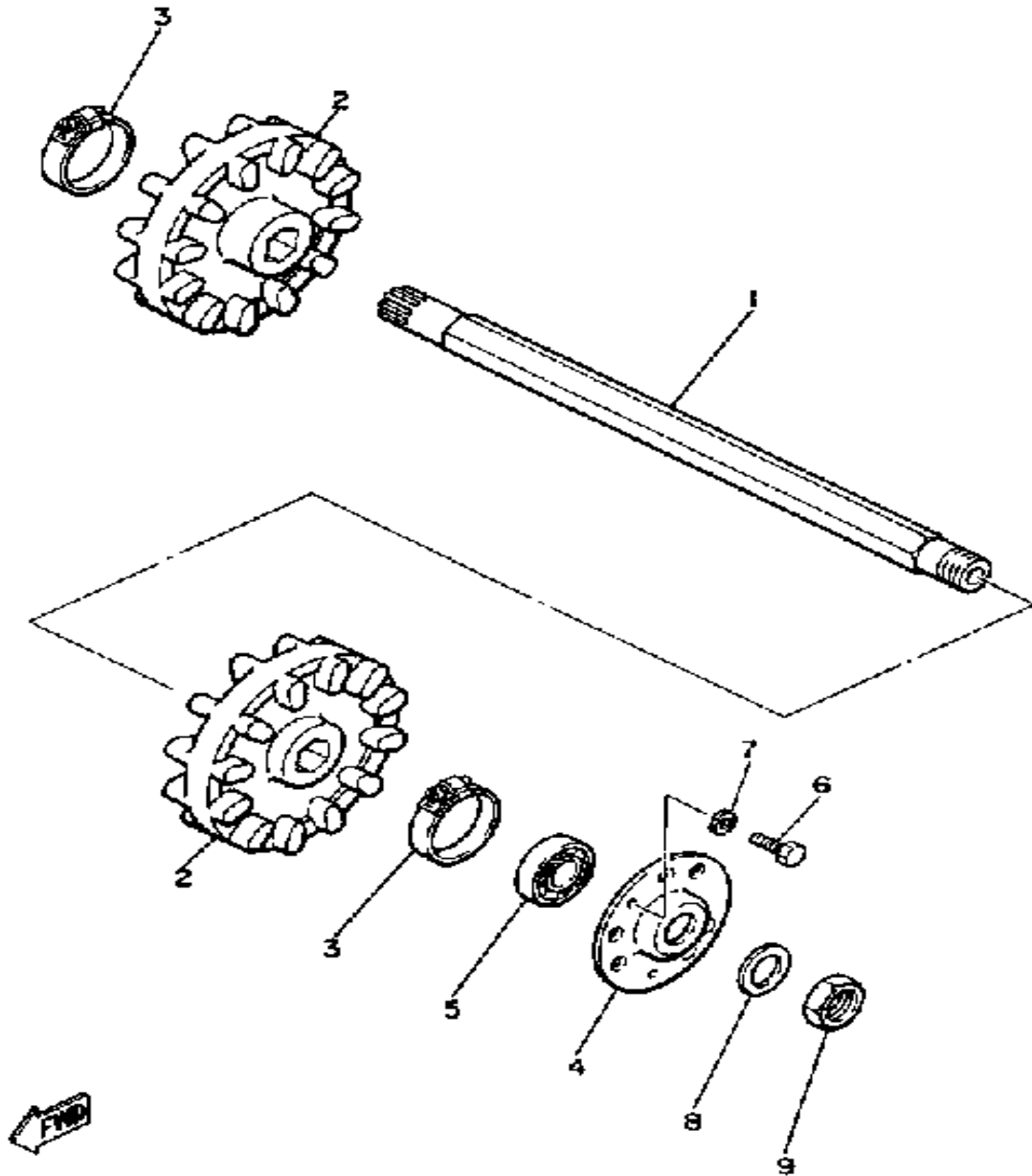
BRAKE



Ref. No.	Part Number	Description	Qty	Remarks
1	8L8-25831-00-00	DISC, BRAKE (R)	1	
2	8J7-25848-00-00	KEY	1	
3	8K4-25731-00-00	BODY, CALIPER 1	1	
4	878-25728-00-00	CAM	1	
5	90101-08499-00	BOLT	1	
6	95303-08700-00	NUT	1	
7	92901-08600-00	WASHER	1	
8	878-25726-00-00	LEVER, BRAKE	1	
9	878-25733-00-00	PLATE, BACK UP	1	
10	97313-10055-00	BOLT, HEXAGON (97322-10055)	2	
11	92990-10100-00	WASHER, SPRING	2	
12	92990-10600-00	WASHER, PLATE	2	
13	90501-23337-00	SPRING, COMPRESSION	1	
14	84X-25811-01-00	PAD, CALIPER 2	2	U.R.

Property of www.SmallEngineDiscount.com - Not for Resale

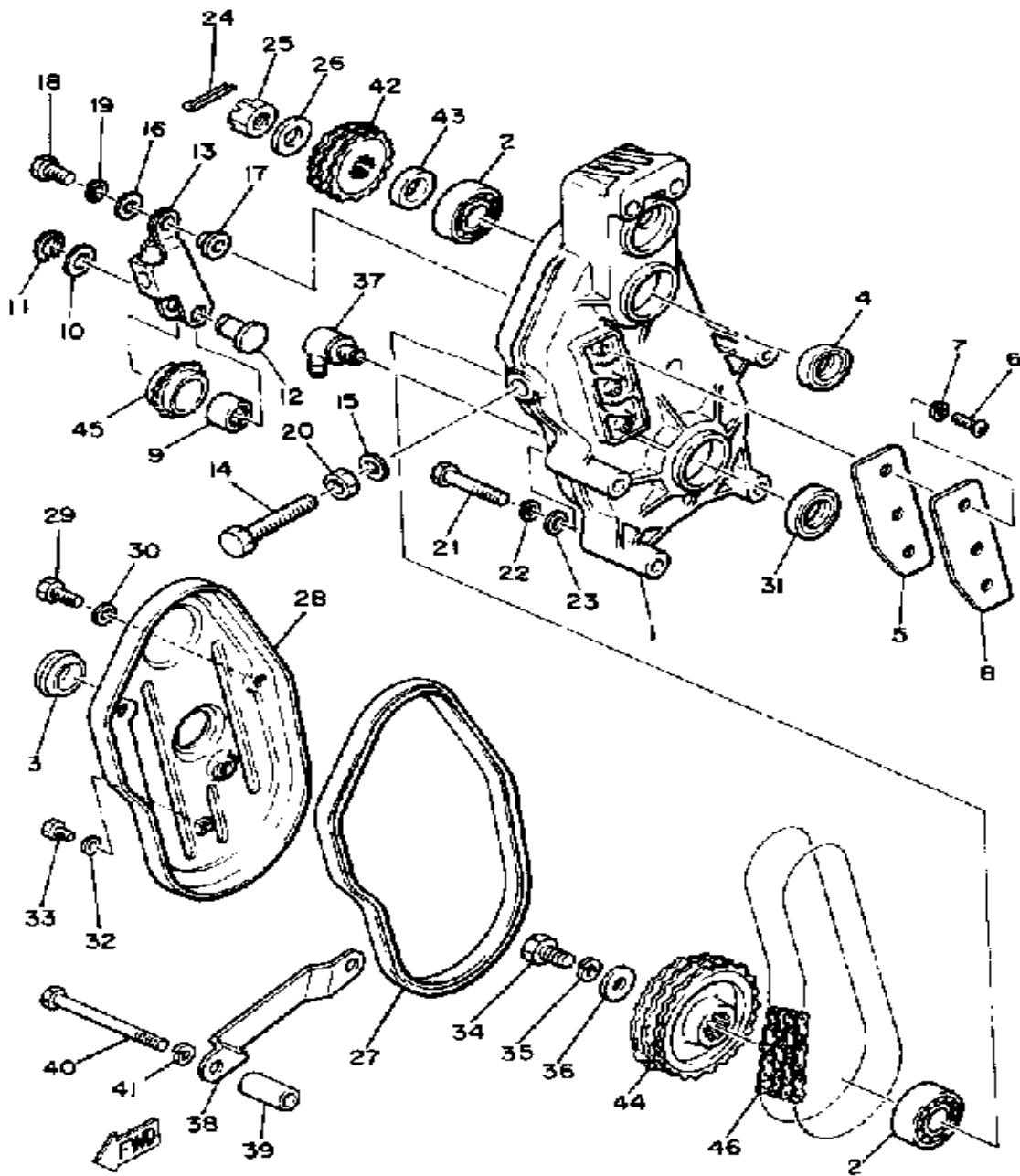
TRACK DRIVE 1



Ref. No.	Part Number	Description	Qty	Remarks
1	8K4-W4751-01-00	AXLE, FRONT	1	
2	8J7-47531-01-00	WHEEL, SPROCKET 1	2	
3	90460-50079-00	CLAMP, HOSE	2	
4	8K4-47551-00-00	HOUSING, FRONT AXLE	1	
5	93306-00420-00	BEARING (B6004)	1	
6	97011-08016-00	BOLT	3	
7	92990-08100-00	WASHER	3	
8	90208-22001-00	WASHER, CONICAL SPRING ..	1	
9	90170-22094-00	NUT	1	

Property of www.SmallEngineDiscount.com - Not for Resale

TRACK DRIVE 2

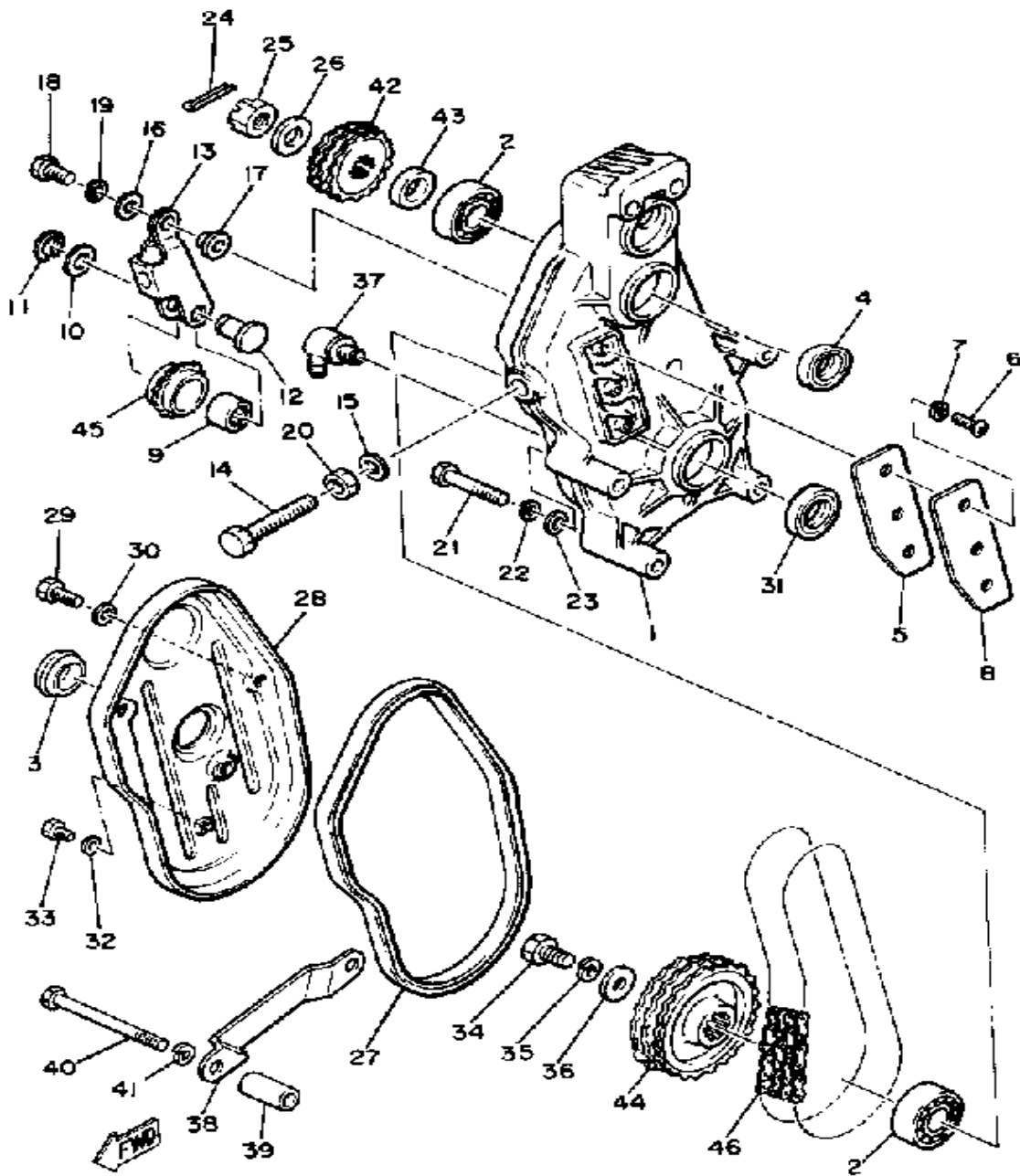


Ref. No.	Part Number	Description	Qty	Remarks
1	8K4-47541-00-00	HOUSING, CHAIN	1	
2	8L8-22315-00-00	CAP	1	
	93306-20570-00	BEARING	2	
4	93102-27204-00	OIL SEAL	1	
5	86K-47592-00-00	GASKET (8K4-47592-00)	1	
6	98503-06014-00	SCREW, PAN HEAD (92502-06016)	3	
7	92995-06100-00	WASHER, SPRING	3	
8	8K4-47591-00-00	PLATE	1	
9	93315-21227-00	BEARING	1	
10	90201-12631-00	WASHER, PLATE	1	
11	99009-12400-00	CIRCLIP	1	
12	90249-12135-00	PIN, SPEC'L SHAPE	1	
13	8K4-47613-00-00	HOLDER	1	
14	90101-10357-00	BOLT	1	
15	90210-10004-00	WASHER, SEAL	1	
16	92990-08200-00	WASHER, PLAIN	2	
17	90387-08301-00	COLLAR	1	
18	97013-08025-00	BOLT	1	
19	92990-08100-00	WASHER	1	
20	95303-10700-00	NUT	1	
21	97021-08065-00	BOLT	2	
22	92902-08100-00	WASHER, SPRING	2	
23	92901-08600-00	WASHER	2	
24	91401-30030-00	PIN, COTTER	1	
25	90170-20211-00	NUT	1	
26	90208-20008-00	WASHER, CONICAL SPRING	1	
27	8K8-47558-00-00	UNAVAILABLE IN PRICE BOOK (8L8-47558-00)	1	

CONTINUED ON NEXT FRAME ►

Property of www.SmallEngineDiscount.com - Not for Resale

TRACK DRIVE 2

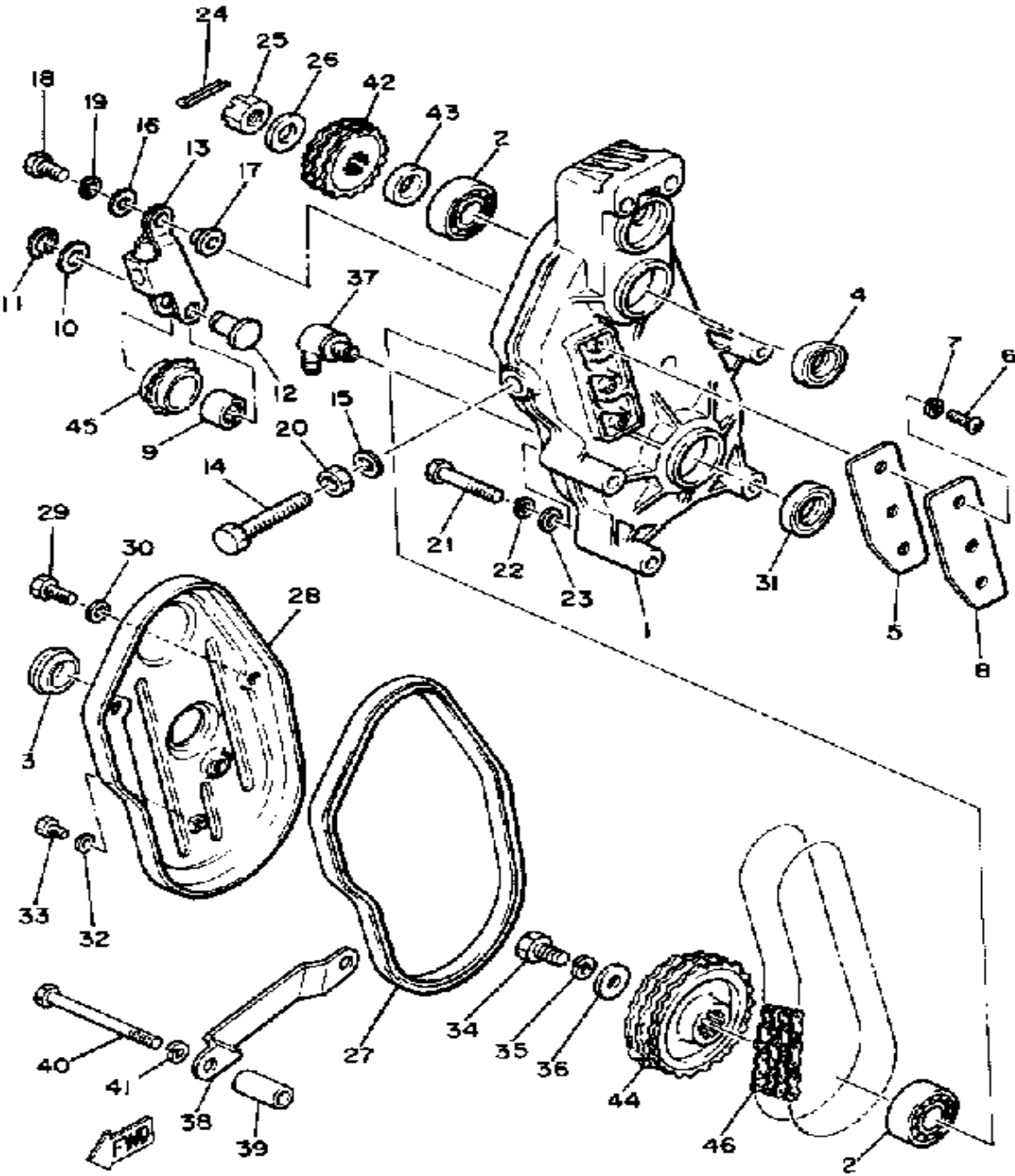


Ref. No.	Part Number	Description	Qty	Remarks
28	8K4-47543-00-00	CAP, HOUSING	1	
29	97011-08016-00	BOLT	3	
30	90210-08002-00	WASHER, SEAL	3	
31	93102-25081-00	OIL SEAL	1	
32	90210-06006-00	WASHER, SEAL	1	
33	97011-06010-00	BOLT	1	
34	97011-10025-00	BOLT	1	
35	92990-10100-00	WASHER, SPRING	1	
36	90201-10322-00	WASHER, PLATE	1	
37	8E4-24461-00-00	PIPE, JOINT	1	
38	8K4-47565-00-00	STAY 1	1	
39	90387-101A1-00	COLLAR	2	
40	97023-08090-00	BOLT (97321-08090)	2	
41	92990-08100-00	WASHER	2	
42	829-17682-00-00	SPRKT, CHAIN DR 20T (20T)	1	ALTERNATE PART
	829-17682-50-00	SPRKT, CHAIN DR 15T (878-17682-50) (15T)	1	ALTERNATE PART
	829-17682-60-00	SPRKT, CHAIN DR 16T (16T)	1	ALTERNATE PART
	829-17682-70-00	SPRKT, CHAIN DR 17T (17T)	1	U.R. STD
	829-17682-80-00	SPRKT, CHAIN DR 18T (18T)	1	ALTERNATE PART
	829-17682-90-00	SPRKT, CHAIN DR 19T (878-17682-90) (19T)	1	ALTERNATE PART
	8U9-17693-10-00	SPROCKET, CHAIN DR (878-17693-10) (21T)	1	ALTERNATE PART
	8U9-17693-20-00	SPROCKET, CHAIN DR (878-17693-20) (22T)	1	ALTERNATE PART
43	90387-25798-00	COLLAR	1	
44	878-47548-90-00	SPROCKET, CHN DRVN (29T)	1	U.R. STD
	8U9-47587-00-00	SPROCKET, CHN DRVN (31T)	1	ALTERNATE PART
	8U9-47587-10-00	SPROCKET, CHN DRVN (888-47587-00) (33T)	1	ALTERNATE PART

CONTINUED ON NEXT FRAME ➤

Property of www.SmallEngineDiscount.com - Not for Resale

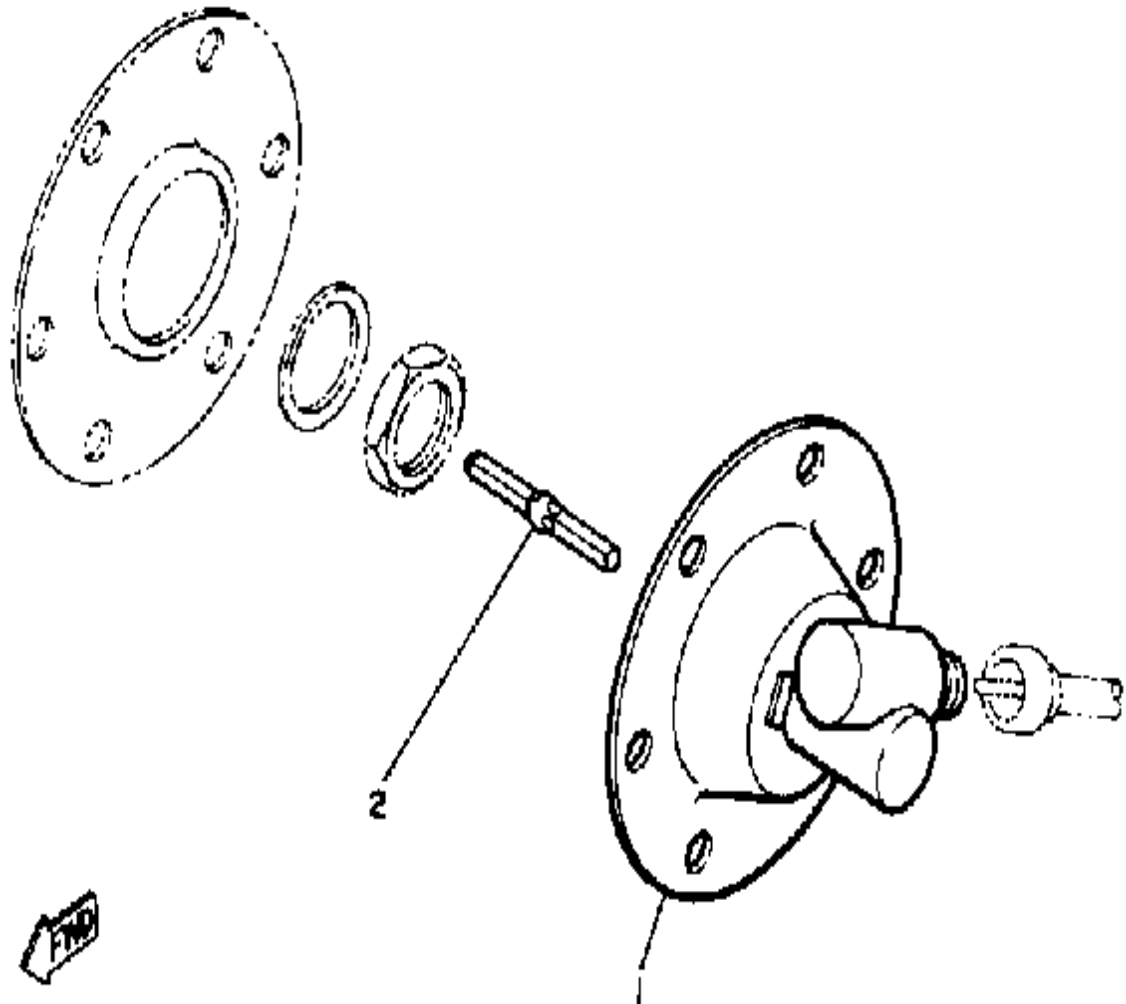
TRACK DRIVE 2



Ref. No.	Part Number	Description	Qty	Remarks
44	8U9-47587-30-00	SPROCKET, CHN DRVN (878-47587-20) (35T)	1	ALTERNATE PART
45	8L0-47612-00-00	WHEEL	1	
46	94850-35066-00	CHAIN 66 (RS35V-3 66L)	1	ALTERNATE PART
	94850-35068-00	CHAIN 68 (RS35V-368L)	1	ALTERNATE PART
	94890-03064-00	CHAIN 8 8	1	U.R. STD

Property of www.SmallEngineDiscount.com - Not for Resale

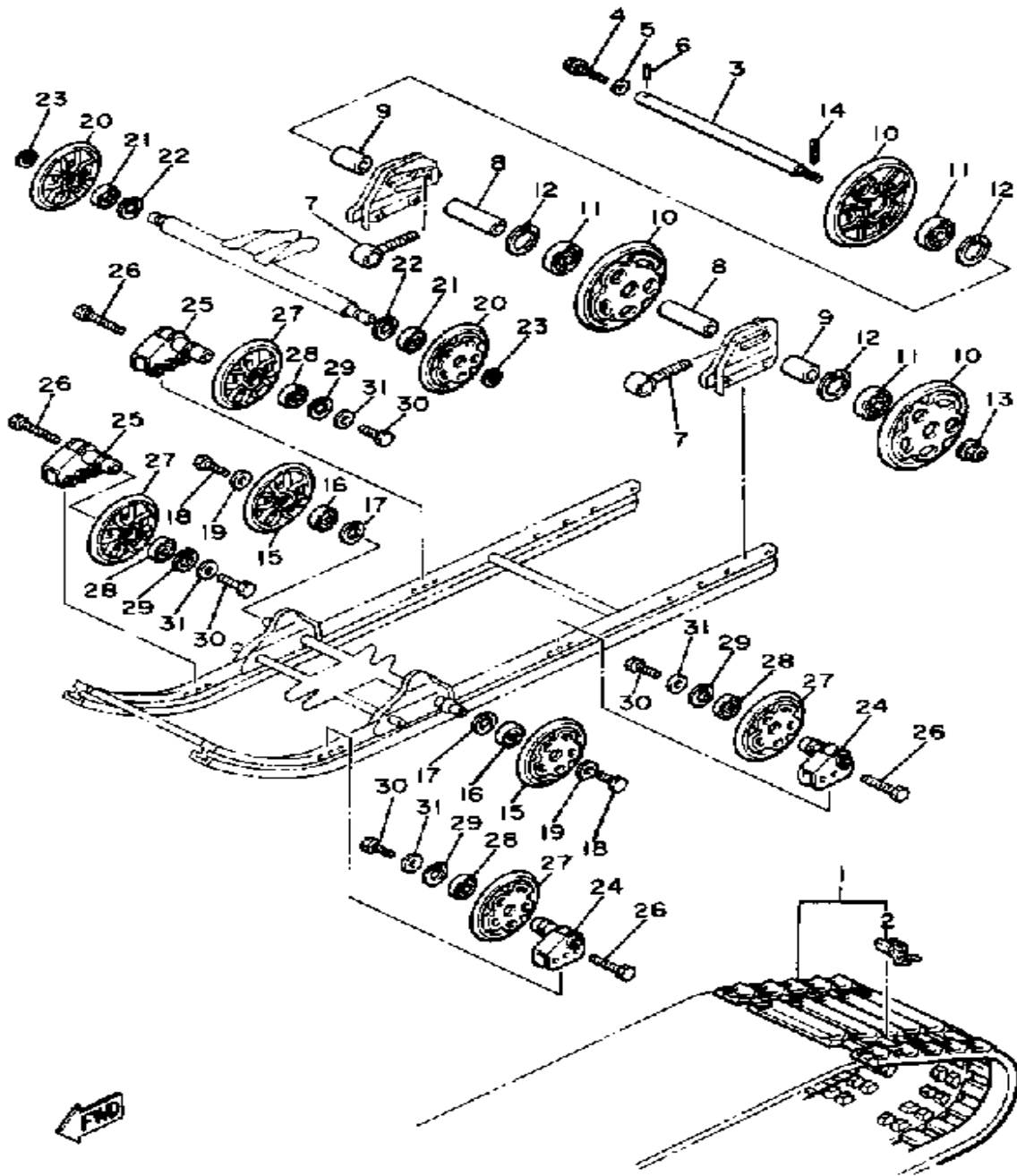
SPEEDOMETER - GEAR UNIT



Ref. No.	Part Number	Description	Qty	Remarks
1	8L8-47700-00-00	METER GEAR HOUSING COMP.	1	
2	8K4-47715-00-00	JOINT	1	

Property of www.SmallEngineDiscount.com - Not for Resale

TRACK SUSPENSION 1

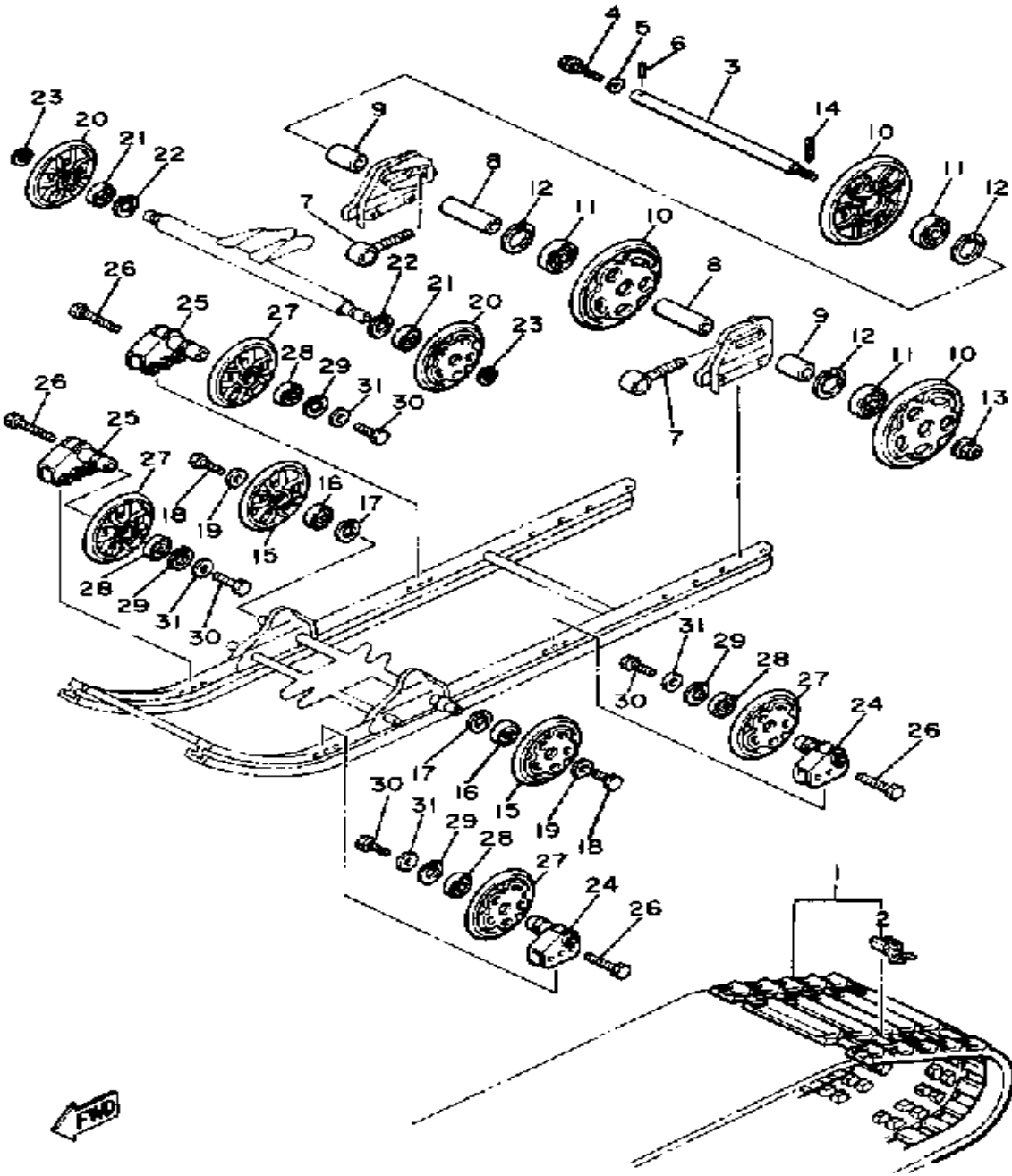


Ref. No.	Part Number	Description	Qty	Remarks
1	8A5-47110-01-00	TRACK ASSEMBLY	1	
2	8A5-47115-00-00	. METAL, SLIDE	46	
3	8L8-47520-01-00	REAR AXLE COMP. (8L8-47520-02-00)	1	
4	95811-12025-00	BOLT, FLANGE	1	
5	90201-120A5-00	WASHER, PLATE	1	
6	91609-40018-00	PIN, SPRING	1	
7	8K2-47479-01-00	COLLAR 3	2	
8	8K2-47530-00-00	GUIDE WHEEL COMP.	3	
	90387-20756-00	COLLAR	2	
	90387-21757-00	COLLAR	2	
11	93306-20417-00	BEARING (B62042RS)	3	
12	99009-47500-00	CIRCLIP	3	
13	95601-14200-00	NUT, U	1	
14	91401-30020-00	PIN, COTTER	1	
15	87M-47320-00-00	SUSPENSION WHEEL COMP. .	2	
16	93306-00441-00	BEARING (89A) (B6004RS) ...	2	
17	99009-42500-00	CIRCLIP	2	
18	90109-08559-00	BOLT	2	
19	90201-08681-00	WASHER, PLATE	2	
20	87M-47320-00-00	SUSPENSION WHEEL COMP. .	2	
21	93306-00441-00	BEARING (89A) (B6004RS) ...	2	
22	99009-42500-00	CIRCLIP	2	
23	99009-20400-00	CIRCLIP	2	
24	8L8-47418-00-00	BRACKET 4	2	
25	8L8-47419-00-00	BRACKET 7	2	
26	90101-06348-00	BOLT	12	
27	87M-47320-00-00	SUSPENSION WHEEL COMP. .	4	
28	93306-00441-00	BEARING (89A) (B6004RS) ...	4	

CONTINUED ON NEXT FRAME ►

Property of www.SmallEngineDiscount.com - Not for Resale

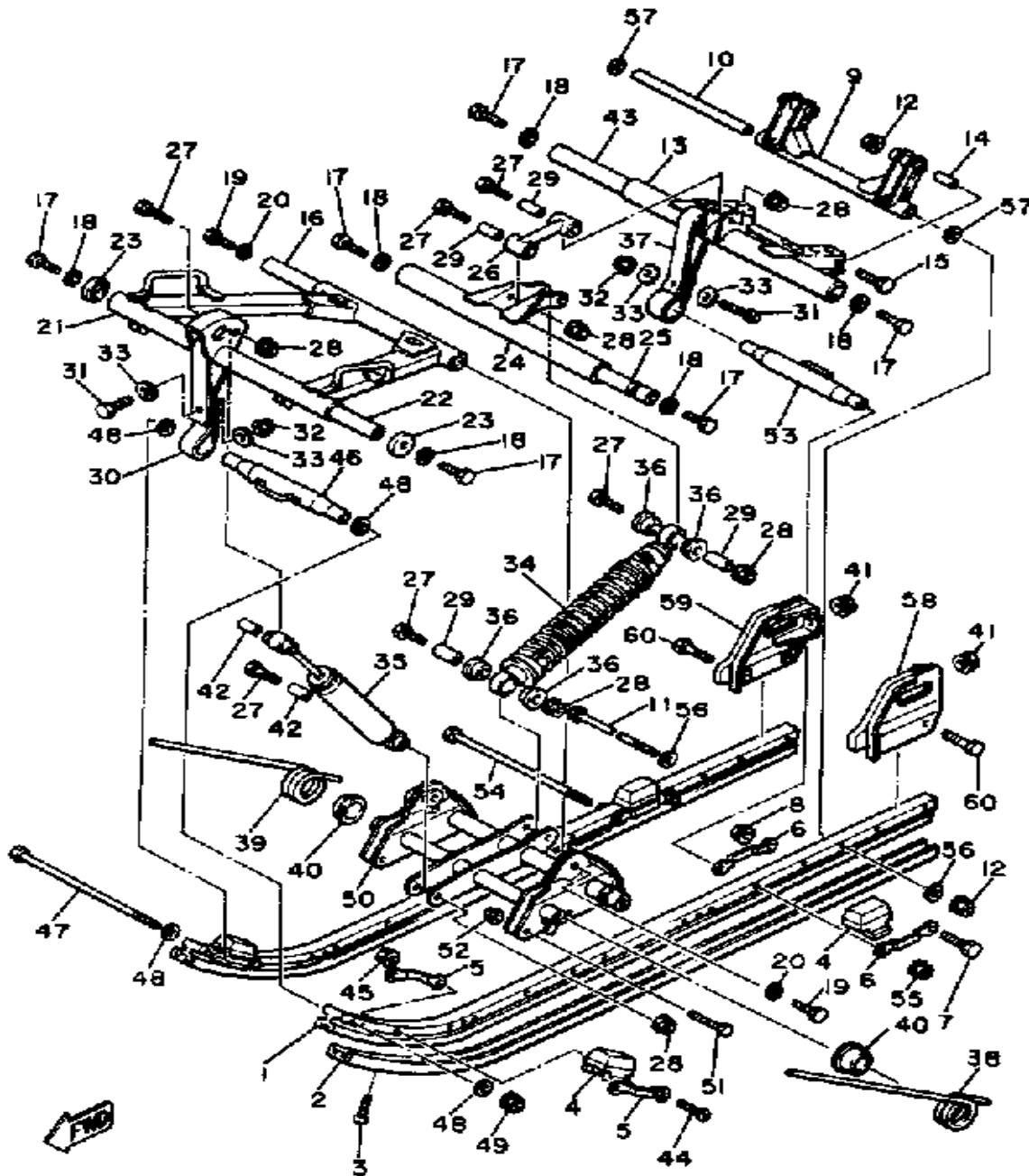
TRACK SUSPENSION 1



Ref. No.	Part Number	Description	Qty	Remarks
29	99009-42500-00	CIRCLIP	4	
30	90109-08559-00	BOLT	4	
31	90201-08681-00	WASHER, PLATE	4	

Property of www.SmallEngineDiscount.com - Not for Resale

TRACK SUSPENSION 2

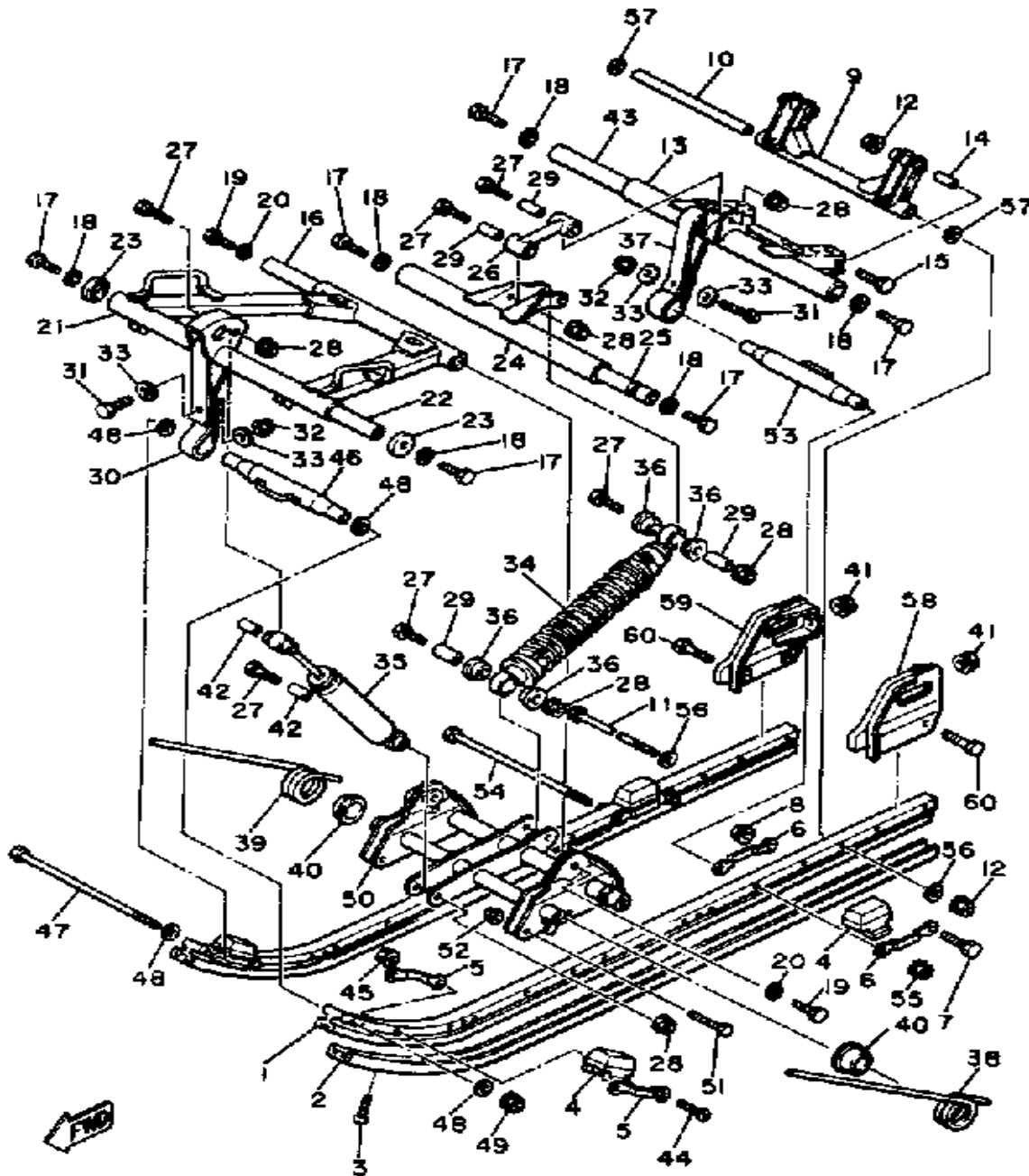


Ref. No.	Part Number	Description	Qty	Remarks
1	8L8-47411-01-00	FRAME, SLIDING 1	2	
2	8N8-47421-00-XX	RUNNER, SLIDING 1	2	
3	90151-06010-00	SCREW, COUNTERSUNK	2	
4	8L8-47456-00-00	DAMPER 1	4	
5	885-47458-01-00	PLATE, DAMPER	4	
6	8H8-47458-00-00	PLATE, DAMPER	4	
7	97313-08035-00	BOLT, HEXAGON	2	
8	8L8-47417-00-00	BRACKET 3	1	
	95712-08300-00	NUT, LOCK	2	
10	90387-08496-00	COLLAR	1	
11	90101-08374-00	BOLT	1	
12	95712-08300-00	NUT, LOCK	3	
13	8K2-47332-01-00	ARM, PIVOT 2	1	
14	90387-08754-00	COLLAR	2	
15	90101-08557-00	BOLT	2	
16	82M-47485-01-00	SHAFT 3	1	
17	97013-10030-00	BOLT (8J7) (97303-10030)	6	
18	92901-10400-00	WASHER, EX.TOOTH	6	
19	97013-10030-00	BOLT (8J7) (97303-10030)	2	
20	92990-10100-00	WASHER, SPRING	2	
21	8K2-47331-00-00	ARM, PIVOT 1	1	
22	885-47465-02-00	SHAFT 1	1	
23	885-47341-00-00	SPACER	2	
24	8K2-47463-00-00	BRACKET 5	1	
25	8L8-47475-00-00	SHAFT 2	1	
26	8K2-47464-00-00	BRACKET 6	1	
27	90101-08557-00	BOLT	6	
28	95712-08300-00	NUT, LOCK	6	
29	90387-08754-00	COLLAR	4	

CONTINUED ON NEXT FRAME ►

Property of www.SmallEngineDiscount.com - Not for Resale

TRACK SUSPENSION 2

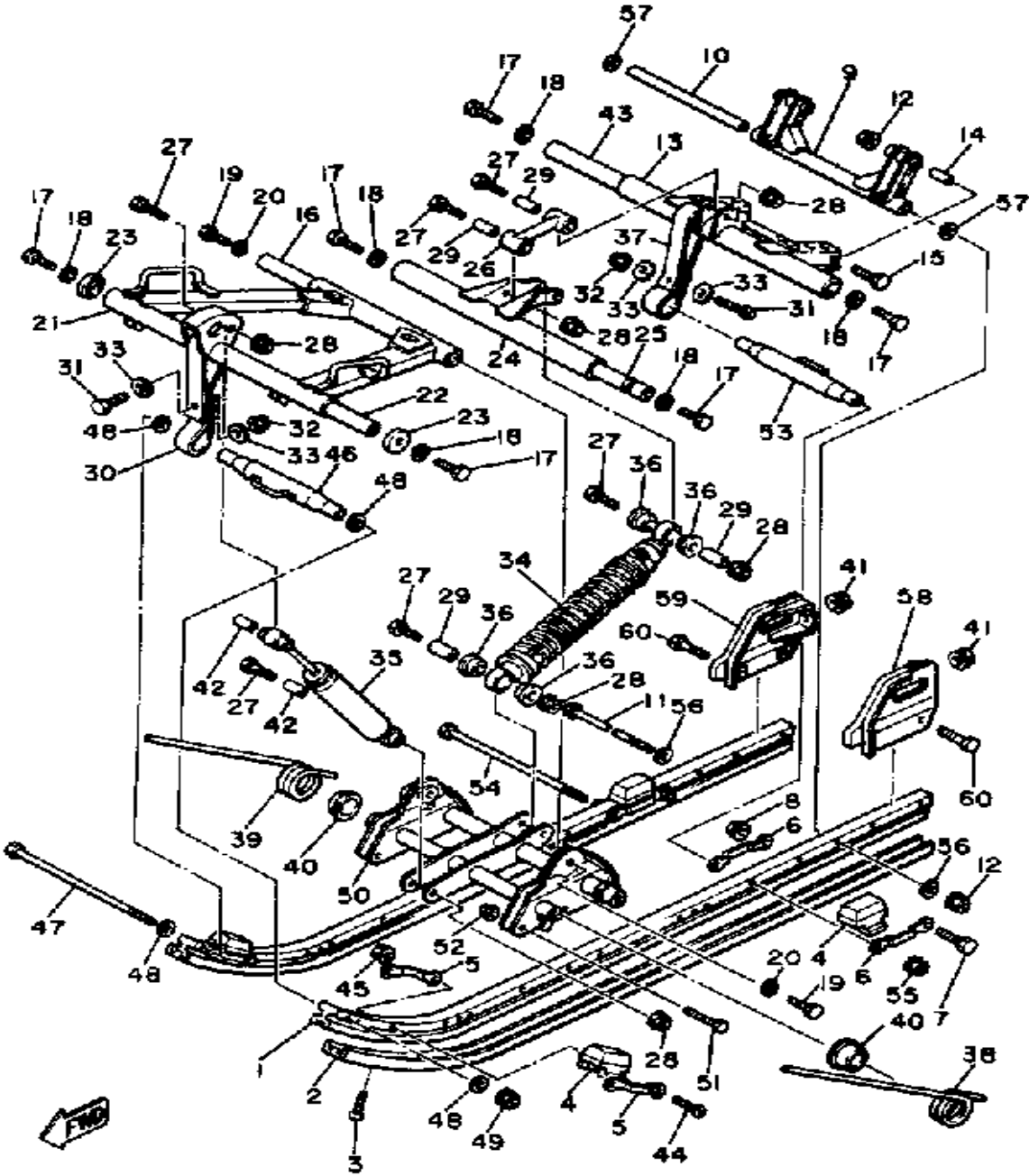


Ref. No.	Part Number	Description	Qty	Remarks
30	8E3-47495-00-00	STOPPER 1	1	
31	97013-06035-00	BOLT	2	
32	95701-06300-00	NUT, NYLON	2	
33	90201-06407-00	WASHER, PLATE (90201-06747-00)	4	
34	8L8-47480-00-00	SHOCK ABSORBER	1	
35	8K4-47481-00-00	SHOCK ABSORBER 2	1	
36	90387-13758-00	COLLAR	4	
37	888-47495-02-00	STOPPER 1	1	
38	90508-85471-00	SPRING, TORSION	1	
39	90508-85472-00	SPRING, TORSION	1	
40	90387-30759-00	COLLAR	2	
41	95701-10300-00	NUT, FLANGE (95702-10300) ..	2	
42	90387-08775-00	COLLAR	2	
43	8L8-47465-00-00	SHAFT 1	1	
44	98501-05030-00	SCREW, PAN HEAD	4	
45	95701-05300-00	NUT, NYLON	4	
46	899-47415-00-00	BRACKET 1	1	
47	90101-08374-00	BOLT	1	
48	92901-08600-00	WASHER	4	
49	95712-08300-00	NUT, LOCK	1	
50	(8L8-47416-01-00)	BRACKET 2	1	
51	90101-06348-00	BOLT	6	
52	95701-06300-00	NUT, NYLON	6	
53	8L8-47469-00-00	COLLAR 1	1	
54	90101-08374-00	BOLT	1	
55	95712-08300-00	NUT, LOCK	1	
56	92901-08600-00	WASHER	2	
57	90201-08649-00	WASHER, PLATE	2	

CONTINUED ON NEXT FRAME ►

Property of www.SmallEngineDiscount.com - Not for Resale

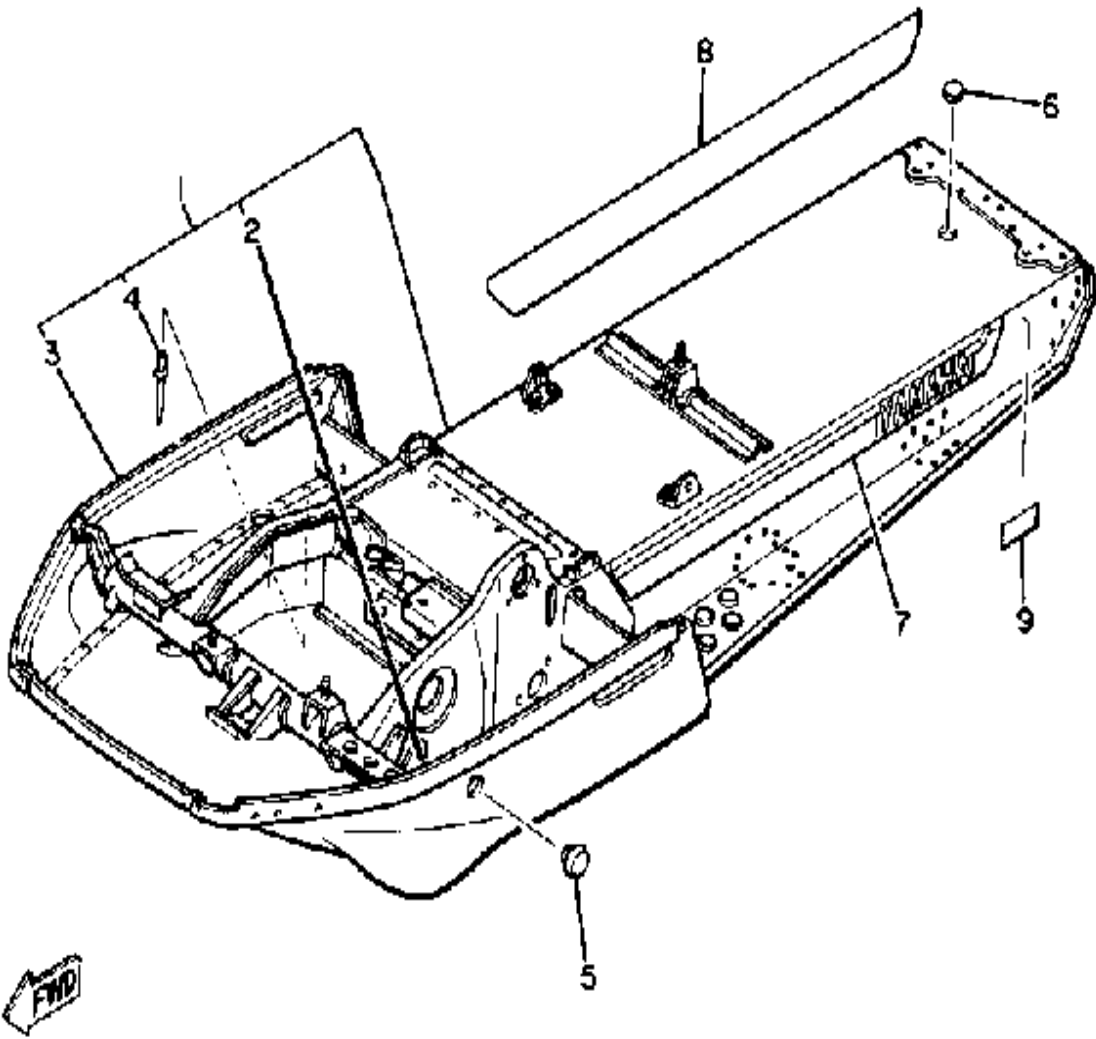
TRACK SUSPENSION 2



Ref. No.	Part Number	Description	Qty	Remarks
58	8L8-47412-00-00	FRAME, SLIDING 2	1	
59	8L8-47413-00-00	FRAME, SLIDING 3	1	
60	90119-08008-00	BOLT, WITH WASHER	4	

Property of www.SmallEngineDiscount.com - Not for Resale

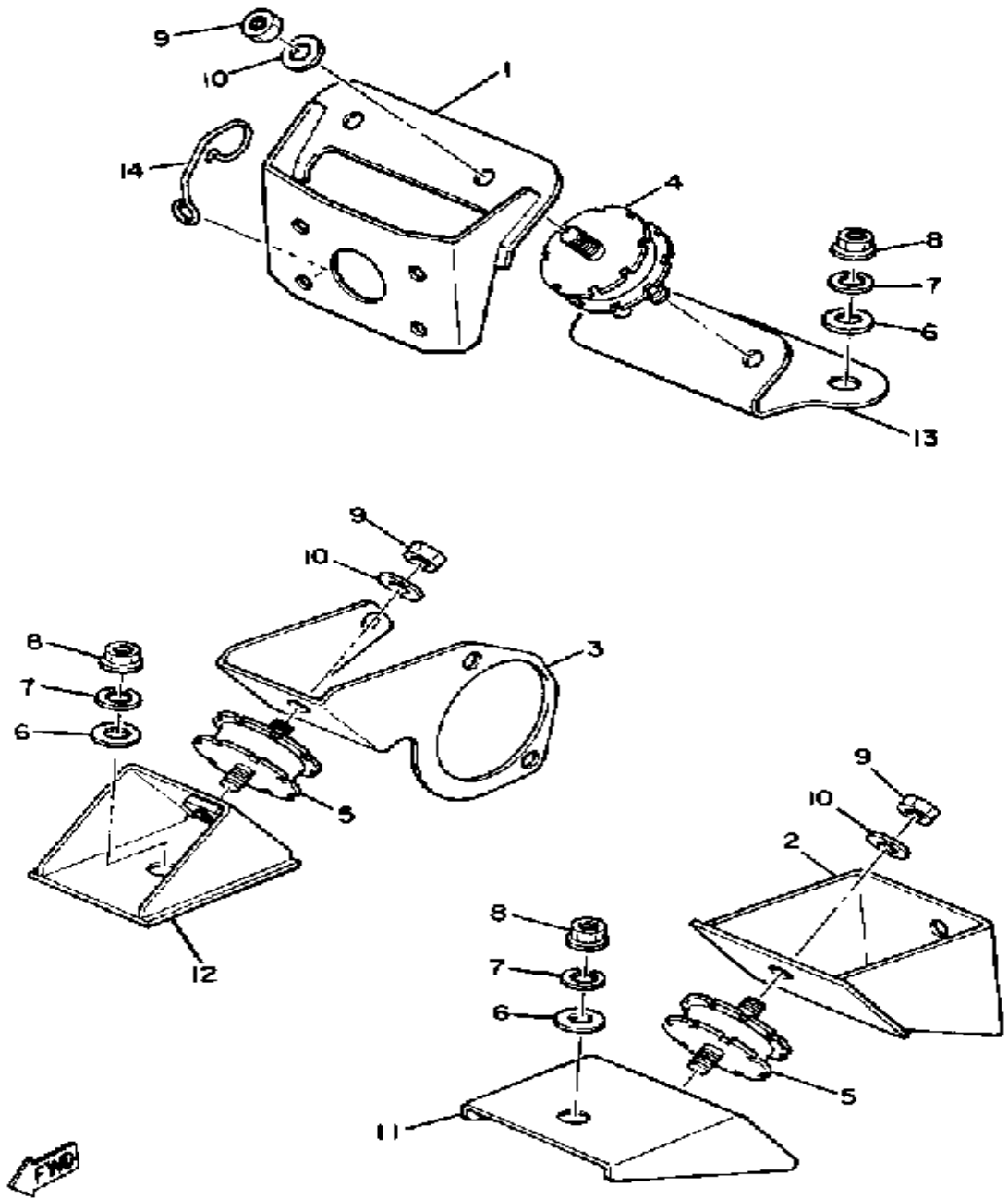
FRAME



Ref. No.	Part Number	Description	Qty	Remarks
1	(8L8-21910-00-00)	FRAME	1	
2	8L8-21982-01-00	. HOOD 1	1	
3	8L8-21983-01-00	. HOOD 2	1	
4	90267-48053-00	. RIVET, BLIND	50	
5	90338-40099-00	PLUG	1	
6	810-77716-00-00	ORNAMENT, INSTRUMENT PANEL 2	1	
7	8L8-77351-00-00	EMBLEM 1	1	
8	8L8-77352-00-00	EMBLEM 2	1	
9	8K2-77742-00-00	INDICATOR 2	1	

Property of www.SmallEngineDiscount.com - Not for Resale

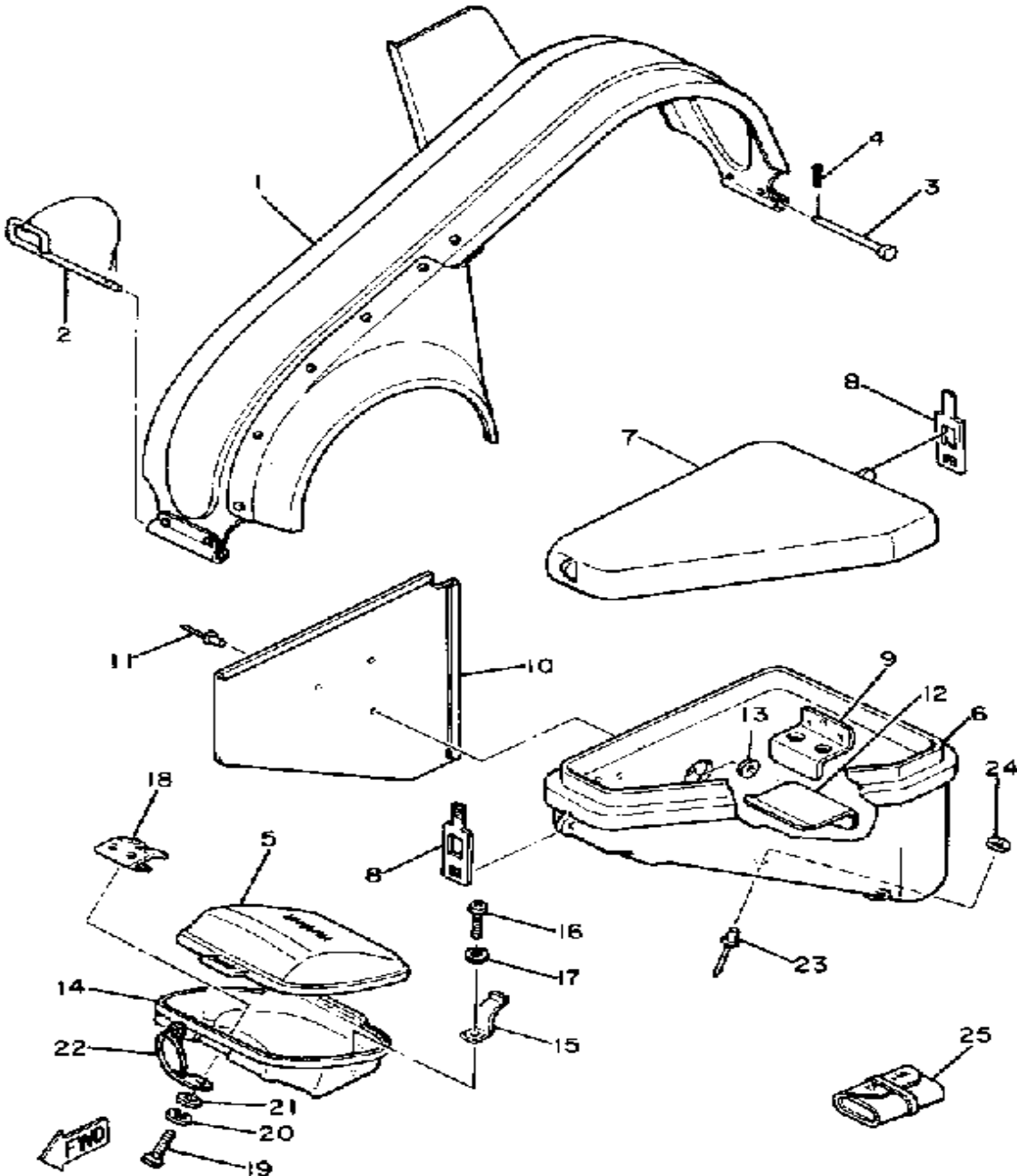
ENGINE BRACKET



Ref. No.	Part Number	Description	Qty	Remarks
1	8K4-21411-00-00	BRACKET, ENGINE 1	1	
2	8K4-21419-00-00	BRACKET, ENGINE 2	1	
3	8K4-21429-00-00	BRACKET, ENGINE 3	1	
4	8H8-21486-01-00	DAMPER 2	2	
5	8K4-21486-00-00	DAMPER 2	2	
6	90201-10321-00	WASHER, PLATE	4	
7	92990-10100-00	WASHER, SPRING	4	
8	95701-10500-00	NUT, FLANGE (95702-10500)	4	
9	95303-10600-00	NUT (95301-10600)	4	
10	92990-10600-00	WASHER, PLATE	4	
11	8H8-21417-01-00	BRACKET, FRT LWR 1	1	
12	8H8-21418-01-00	BRACKET, FRONT LOWER 2	1	
13	8K4-21427-00-00	BRACKET, REAR LWR 1	1	
14	90465-06100-00	CLAMP	1	

Property of www.SmallEngineDiscount.com - Not for Resale

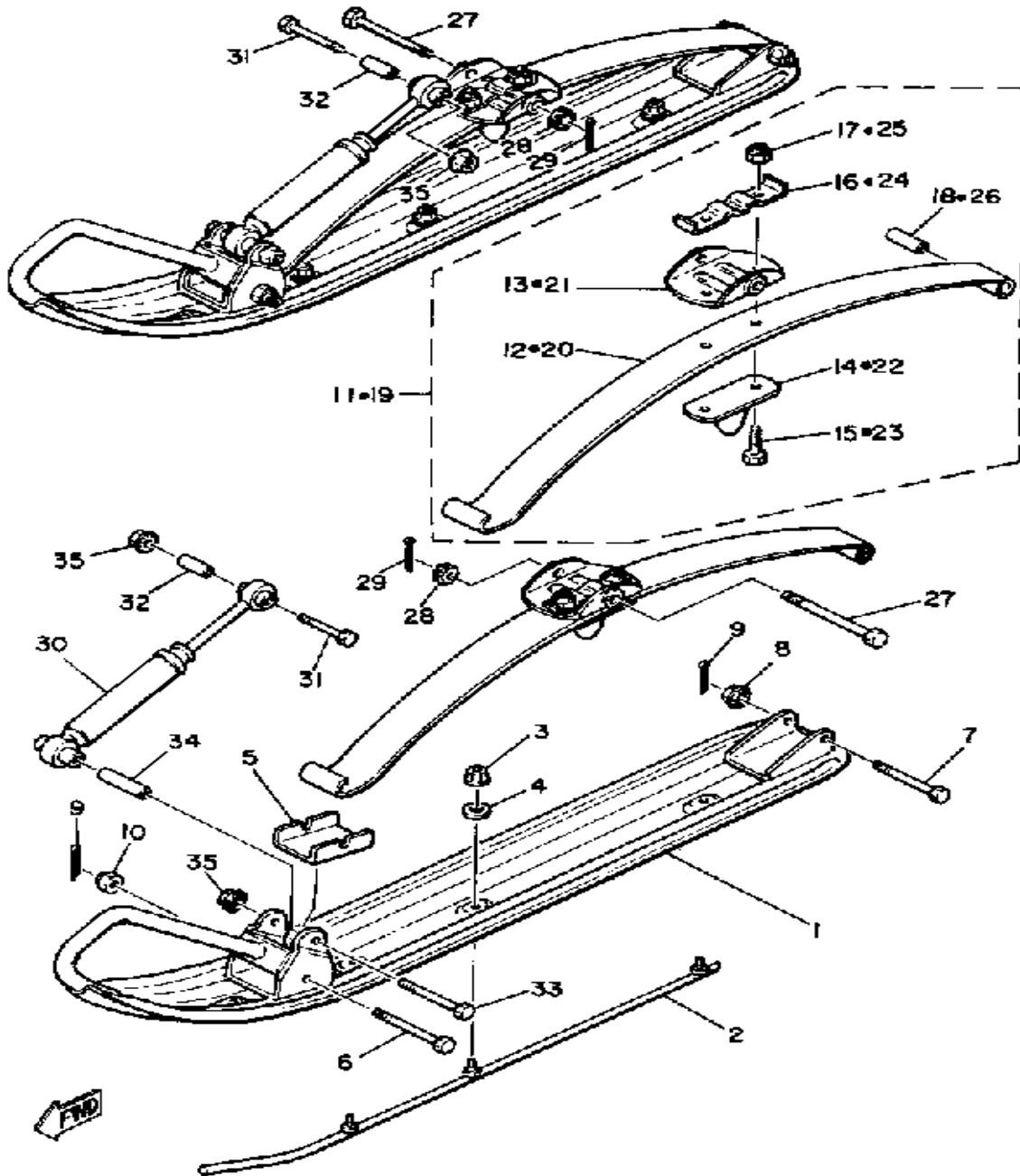
GUARD - LUGGAGE BOX



Ref. No.	Part Number	Description	Qty	Remarks
1	(8L8-77311-00-00)	GUARD, DRIVE	1	
2	8F3-77327-00-00	SHAFT	1	
3	91701-06082-00	PIN, CLEVIS	1	
4	90468-18008-00	CLIP	1	
5	1T4-2177E-00-00	LID	1	
6	8H8-77381-00-00	BOX, TOOL	1	
7	8H8-77382-00-00	LID, TOOL BOX	1	
8	J10-14436-00-00	HOOK	2	
9	8H8-77376-00-00	BRACKET, SPARK PLUG	1	
10	(8H8-77373-01-00)	PROTECTOR	1	
11	90267-48032-00	RIVET, BLIND	8	
12	8H8-28175-00-00	HOLDER, TOOL	1	
13	90201-04325-00	WASHER, PLATE	3	
14	1T4-2177A-00-00	BOX	1	
15	(8H9-21945-00-00)	BRACKET, TL BX FTNG	2	
16	98503-06014-00	SCREW, PAN HEAD (92502-06016)	2	
17	92995-06100-00	WASHER, SPRING	2	
18	8H9-77376-00-00	BRACKET, SPARK PLUGPLUG	1	
19	98503-06014-00	SCREW, PAN HEAD (92502-06016)	1	
20	92995-06100-00	WASHER, SPRING	1	
21	92901-06600-00	WASHER	1	
22	8K4-77386-00-00	HOOK 1	1	
23	90267-48086-00	RIVET, BLIND	1	
24	90201-04325-00	WASHER, PLATE	1	
25	8G6-28100-00-00	TOOL KIT (8G6-28100-10)	1	

Property of www.SmallEngineDiscount.com - Not for Resale

SKI



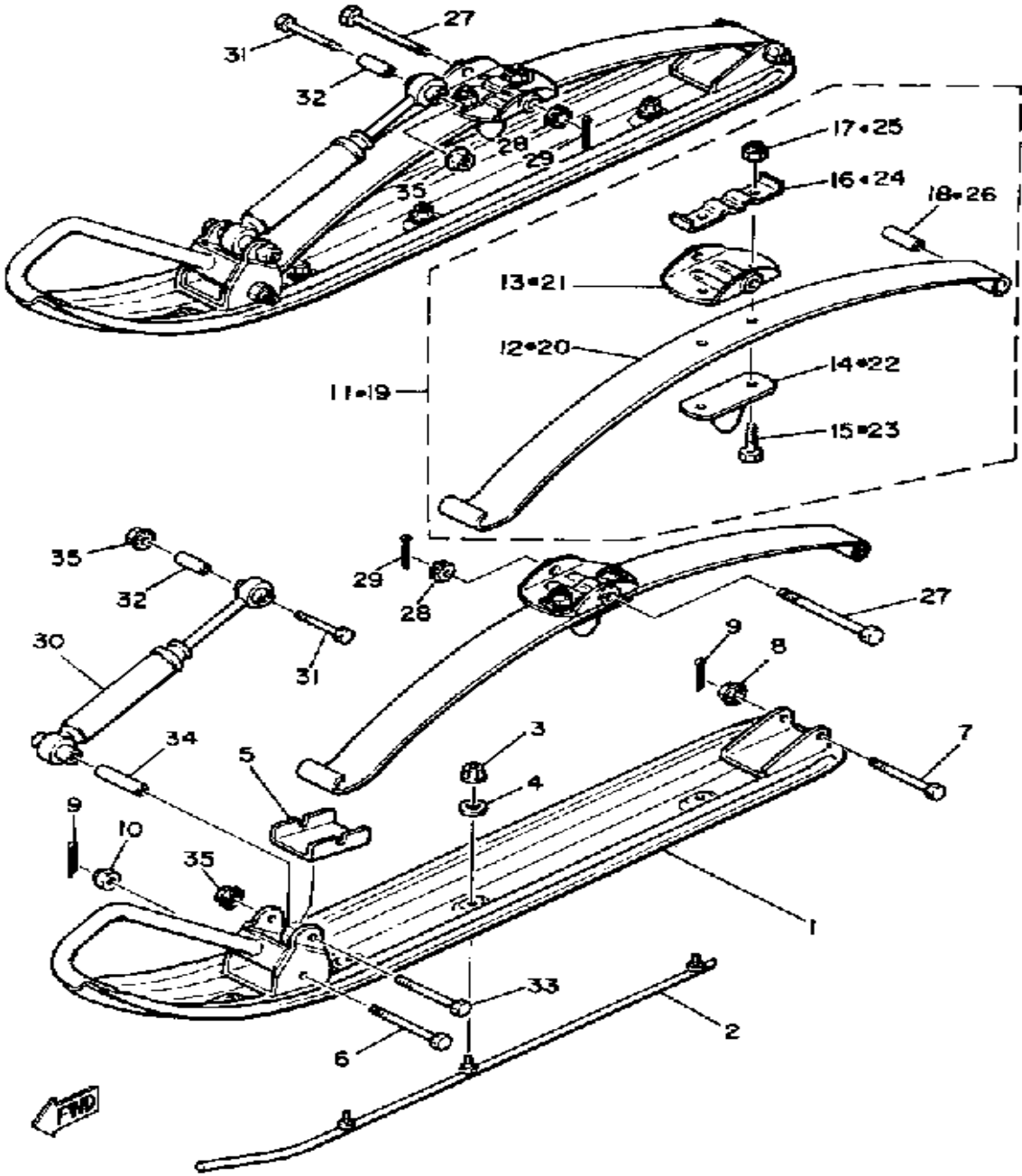
Ref. No.	Part Number	Description	Qty	Remarks
1	8K4-23710-00-00	SKI 1	2	
2	8K4-23731-00-XX	SKI RUNNER, 1	2	
3	95716-08300-00	NUT, FLANGE	6	
4	92906-08200-00	WASHER	6	
5	8K4-23735-00-00	PLATE, WEAR 1	2	
6	90102-08028-00	BOLT, WITH HOLE	2	
7	90102-08027-00	BOLT, WITH HOLE	2	
8	95716-08300-00	NUT, FLANGE	2	
9	91490-20020-00	PIN, COTTER	4	
10	95616-08100-00	NUT, U	2	
11	8K4-23760-01-00	SPRING ASSEMBLY 1	1	
12	8K4-23761-00-00	. LEAF 1	1	
13	8K4-23766-00-00	. SADDLE 1	1	
14	878-23768-00-00	. SEAT, SPRING 1	1	
15	90109-105E7-00	. BOLT	2	
16	90215-10155-00	. WASHER, LOCK	1	
17	90185-10085-00	. NUT, SELF-LOCKING	2	
18	90387-08478-00	. COLLAR	1	
19	8K4-23770-01-00	SPRING ASSEMBLY 2	1	
20	8K4-23761-00-00	. LEAF 1	1	
21	8K4-23766-00-00	. SADDLE 1	1	
22	878-23768-00-00	. SEAT, SPRING 1	1	
23	90109-105E7-00	BOLT	2	
24	90215-10155-00	. WASHER, LOCK	1	
25	90185-10085-00	. NUT, SELF-LOCKING	2	
26	90387-08478-00	. COLLAR	1	
27	90102-12036-00	BOLT, WITH HOLE	2	
28	90171-12040-00	NUT, CASTLE	2	
29	91401-30030-00	PIN, COTTER	2	

CONTINUED ON NEXT FRAME ►

Property of www.SmallEngineDiscount.com - Not for Resale

C10

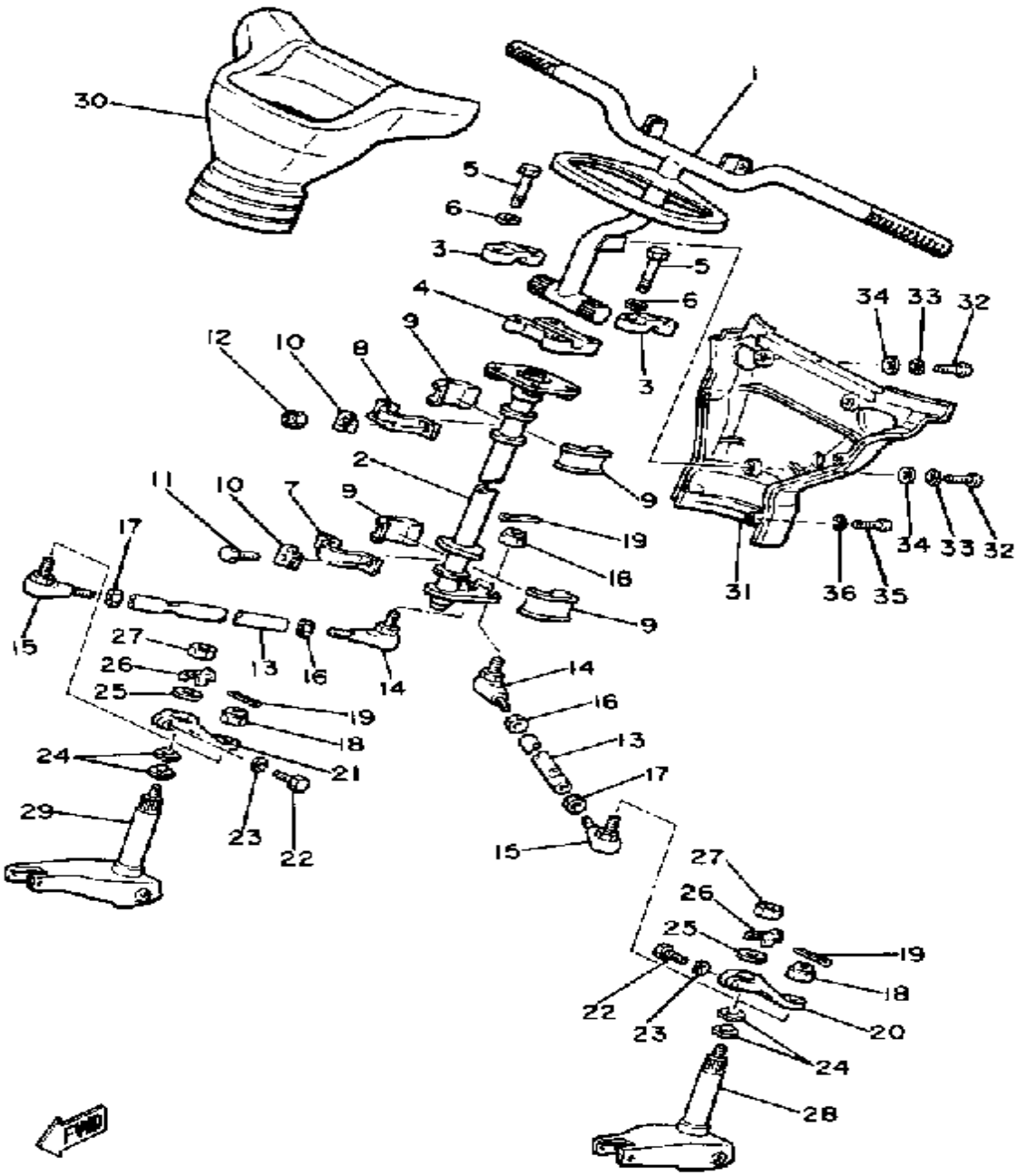
SKI



Ref. No.	Part Number	Description	Qty	Remarks
30	8V8-23350-00-00	SHOCK ABSORBER ASSEMBLY	2	
31	97026-08055-00	BOLT	2	
32	90387-08262-00	COLLAR	2	
33	97026-08075-00	BOLT (97326-08075)	2	
34	90387-08224-00	COLLAR	2	
35	95716-08300-00	NUT, FLANGE	4	

Property of www.SmallEngineDiscount.com - Not for Resale

STEERING

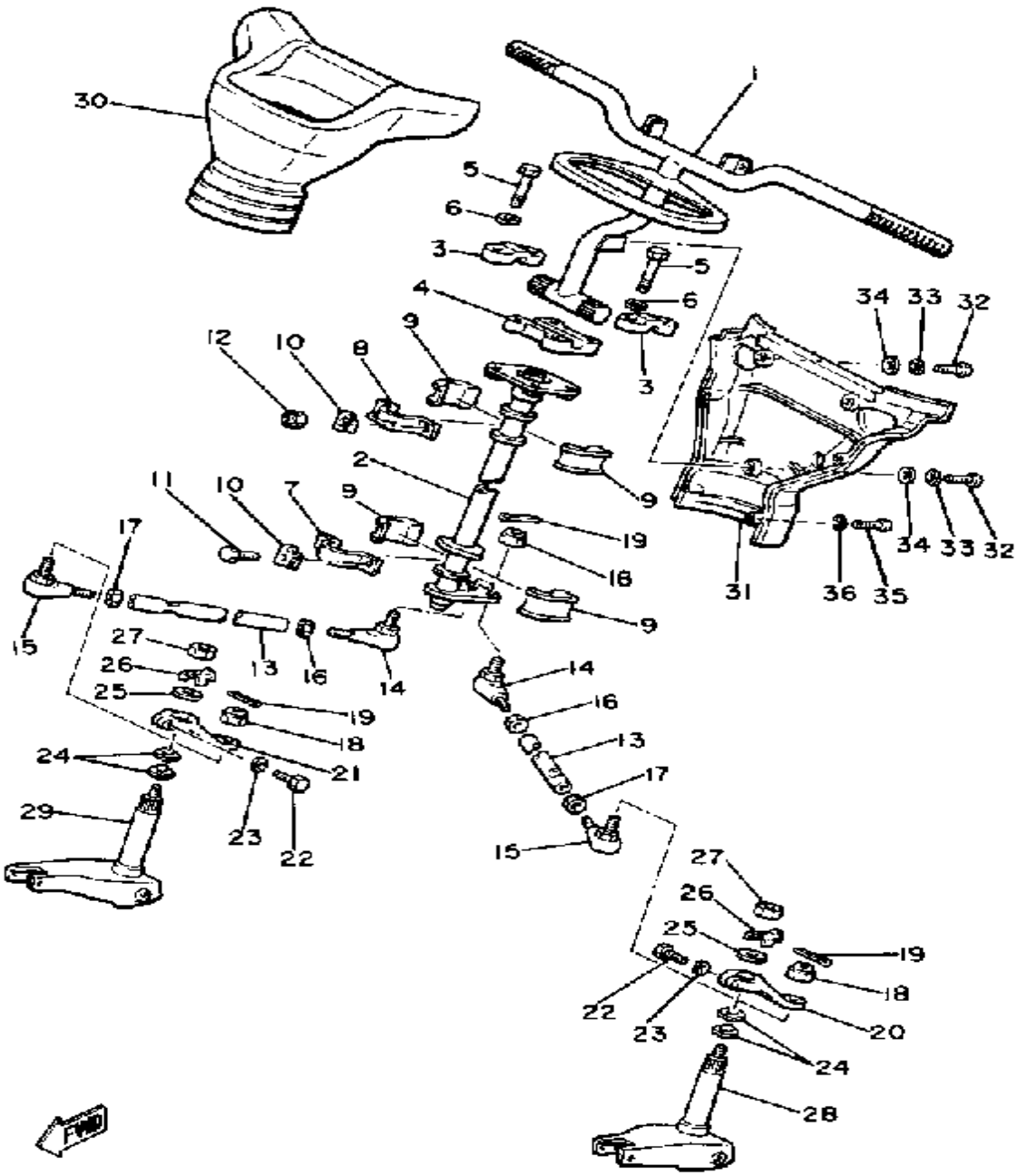


Ref. No.	Part Number	Description	Qty	Remarks
1	81R-23811-00-00	COLUMN, STEERING	1	
2	8L8-23813-00-00	COLUMN, STEERING 2	1	
3	1E6-23441-00-00	HOLDER, HANDLE UPR	2	
4	164-23441-00-98	HOLDER, HANDLE UPPER	1	
5	97321-08055-00	BOLT, HEXAGON	4	
6	92990-08100-00	WASHER	4	
7	84M-23868-00-00	BRACKET, STEERING LOWER	1	
8	84M-23872-00-00	HOLDER, BEARING	1	
9	8F3-23812-00-00	PLANE BEARING, STEERING	4	
10	90215-08262-00	WASHER, LOCK	4	
11	97313-08016-00	BOLT, HEXAGON	2	
12	95712-08300-00	NUT, LOCK	2	
13	8K4-23821-00-00	ROD, STEERING RELAY	2	
14	86X-23841-00-00	JOINT, UNIVERSAL 1	2	
15	86X-23845-00-00	JOINT, UNIVERSAL 2	2	
16	95303-10700-00	NUT	2	
17	90170-10186-00	NUT	2	
18	95701-10300-00	NUT, FLANGE (95702-10300)	4	
19	91490-20020-00	PIN, COTTER	4	
20	8K4-23851-00-00	ARM, OUTSIDE 1	1	
21	8K4-23852-00-00	ARM, OUTSIDE 2	1	
22	97001-08025-00	BOLT (1NV)	2	
23	92990-08100-00	WASHER	2	
24	90206-20037-00	WASHER, WAVE	4	
25	90201-10752-00	WASHER, PLATE	2	
26	90215-10096-00	WASHER, LOCK	2	
27	95303-10600-00	NUT (95301-10600)	2	
28	8L8-23853-00-00	COLUMN, SKI 1	1	
29	8L8-23854-00-00	COLUMN, SKI 2	1	

CONTINUED ON NEXT FRAME ►

Property of www.SmallEngineDiscount.com - Not for Resale

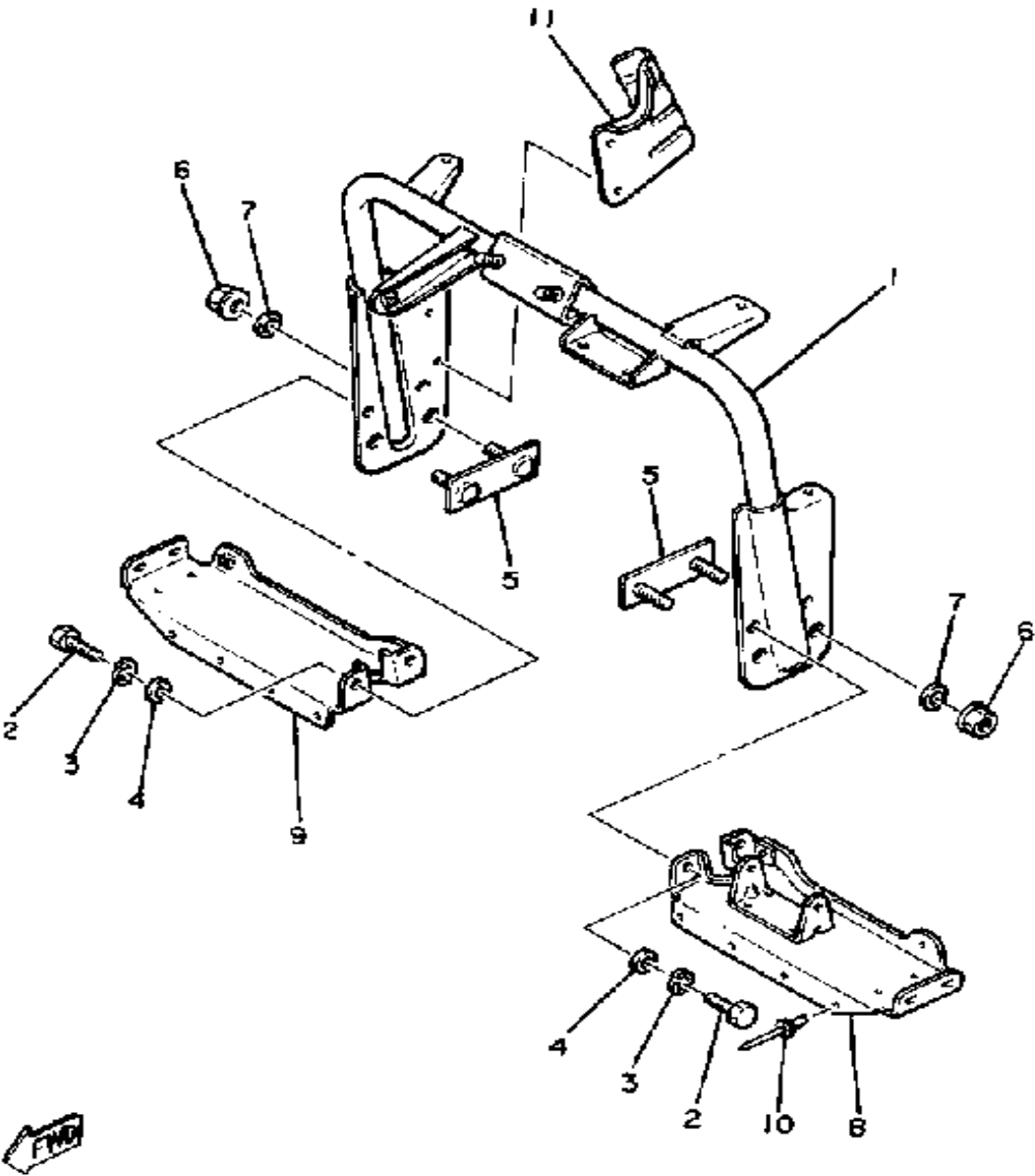
STEERING



Ref. No.	Part Number	Description	Qty	Remarks
30	8L8-23815-01-00	PAD, STEERING	1	
31	8L8-23817-00-00	PAD, STEERING	1	
32	98516-05012-00	SCREW, PAN HEAD 4CG	3	
33	92906-05100-00	WASHER, SPRING	3	
34	92906-05600-00	WASHER, PLATE	3	
35	98506-04010-00	SCREW, PAN HEAD	4	
36	92906-04100-00	WASHER, SPRING	4	

Property of www.SmallEngineDiscount.com - Not for Resale

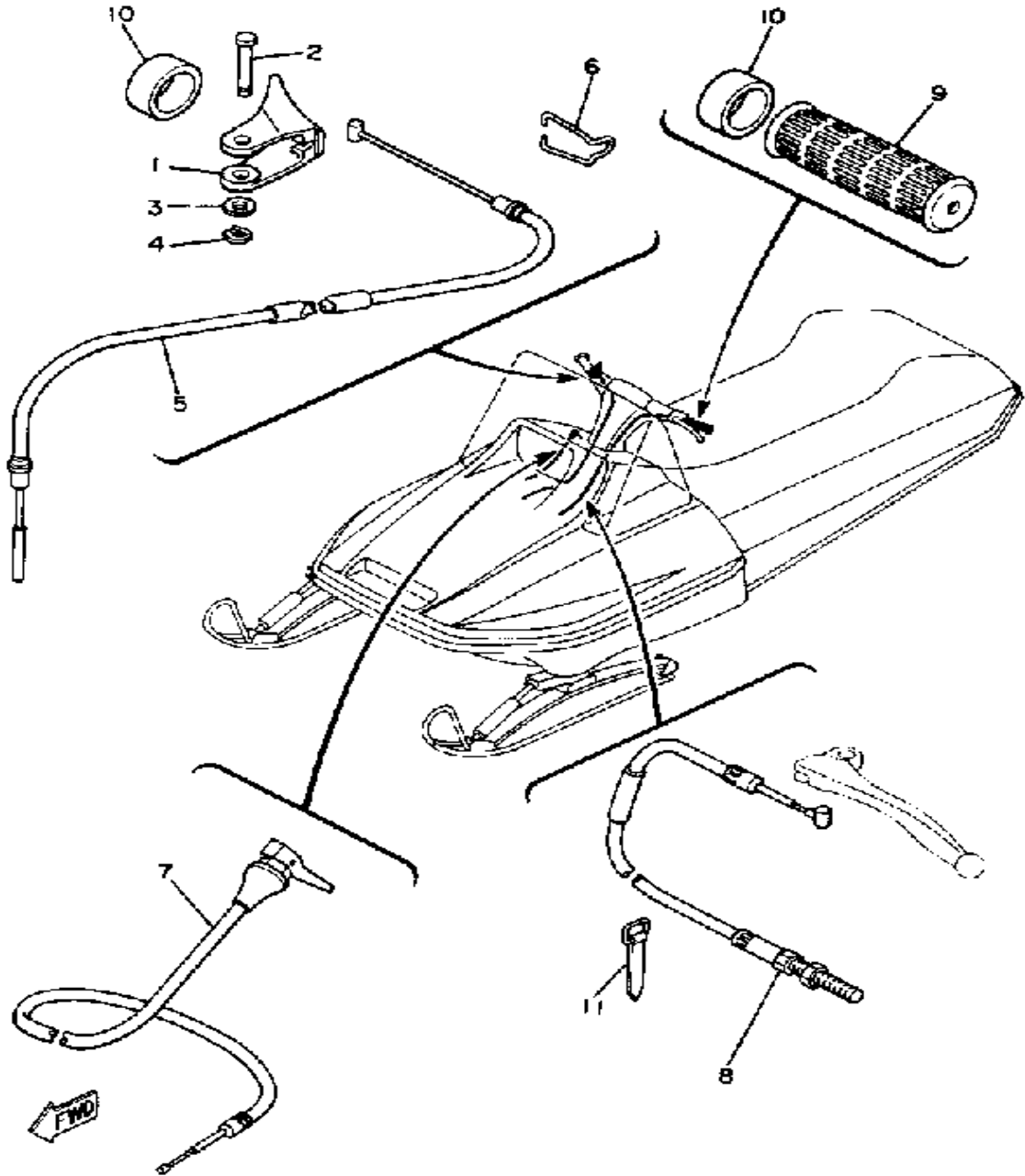
STEERING GATE



Ref. No.	Part Number	Description	Qty	Remarks
1	8K4-23871-00-00	GATE, STEERING	1	
2	97016-06016-00	BOLT	4	
3	92906-06100-00	WASHER, SPRING	4	
4	92906-06200-00	WASHER	4	
5	(8K4-23878-00-00)	BRACKET 0	2	
6	95716-08300-00	NUT, FLANGE	4	
7	92906-08200-00	WASHER	4	
8	8L8-23883-00-00	BRACKET 3	1	
9	8L8-23884-00-00	BRACKET 4	1	
10	90267-48053-00	RIVET, BLIND	8	
11	8K4-23886-00-00	BRACKET 6	1	

Property of www.SmallEngineDiscount.com - Not for Resale

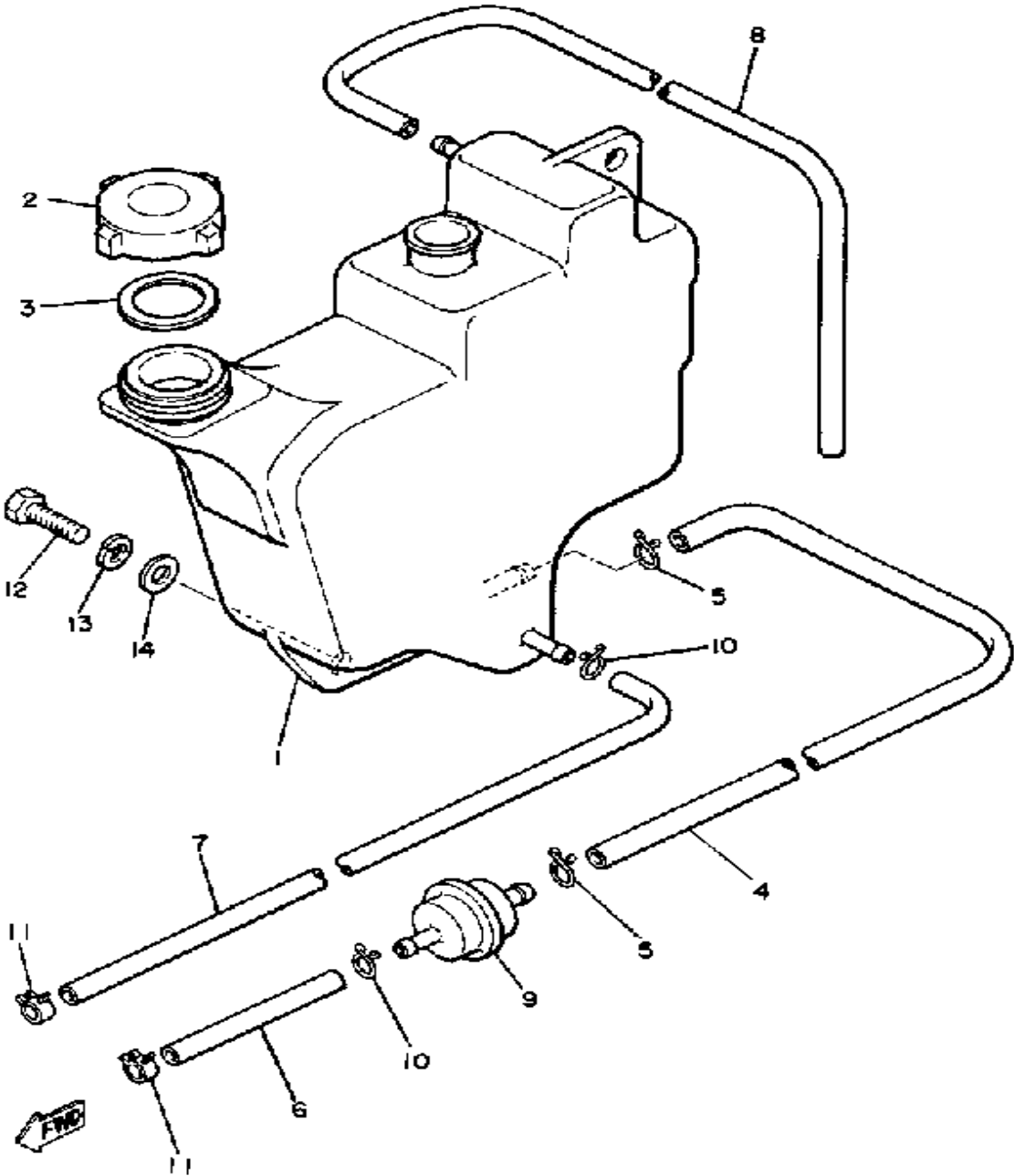
CONTROL - CABLE



Ref. No.	Part Number	Description	Qty	Remarks
1	8K4-42138-00-00	LEVER, THROTTLE	1	
2	90249-06137-00	PIN, SPEC'L SHAPE	1	
3	92906-06200-00	WASHER	1	
4	93430-04002-00	CIRCLIP	1	
5	8L8-26311-01-00	CABLE, THROTTLE 1	1	
6	90465-10150-00	CLAMP	1	
7	8L8-26331-00-00	CABLE, STARTER 1	1	
8	8K4-26340-00-00	CABLE, BRAKE	1	
9	801-26241-01-00	GRIP	2	
10	90387-22726-00	COLLAR	2	
11	341-26397-01-00	BAND	1	

Property of www.SmallEngineDiscount.com - Not for Resale

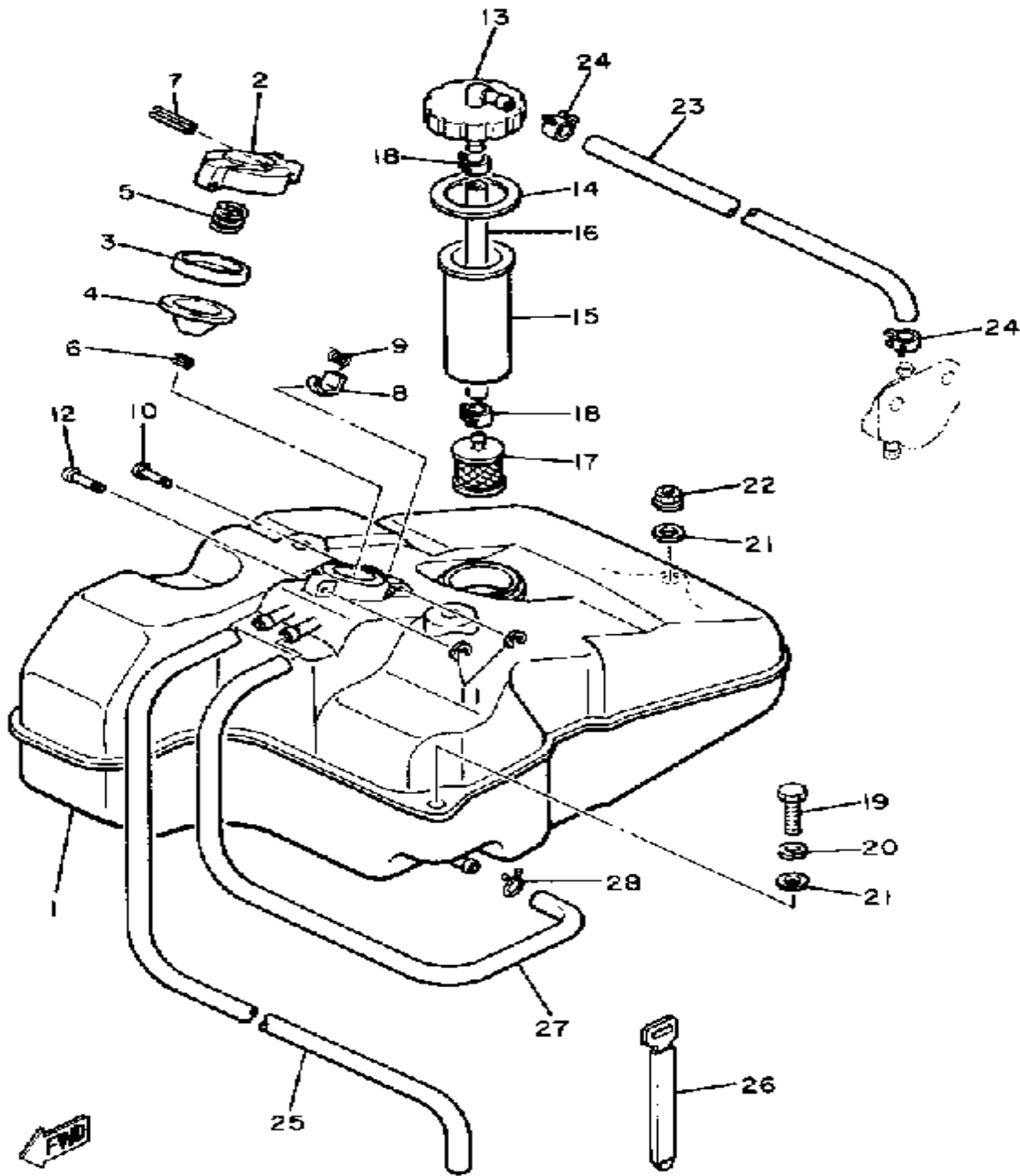
OIL TANK



Ref. No.	Part Number	Description	Qty	Remarks
1	86U-21751-00-00	TANK, OIL (8L8-21751-00)	1	
2	863-21771-00-00	BODY, CAP	1	
3	90430-31003-00	GASKET	1	
4	90446-11157-00	HOSE	1	
5	90467-11009-00	CLIP	2	
6	90446-09011-00	HOSE	1	
7	91A20-05036-00	TUBE, FLEXIBLE	1	
8	90446-09013-00	HOSE (90446-09079)	1	
9	8G8-13410-00-00	STRAINER HOUSING ASSEMBLY	1	
10	90467-09005-00	CLIP, SCISSOR	2	
11	90467-09026-00	CLIP	2	
12	97023-06020-00	BOLT (3XF)	2	
13	92995-06100-00	WASHER, SPRING	2	
14	90201-06067-00	WASHER, PLATE	2	

Property of www.SmallEngineDiscount.com - Not for Resale

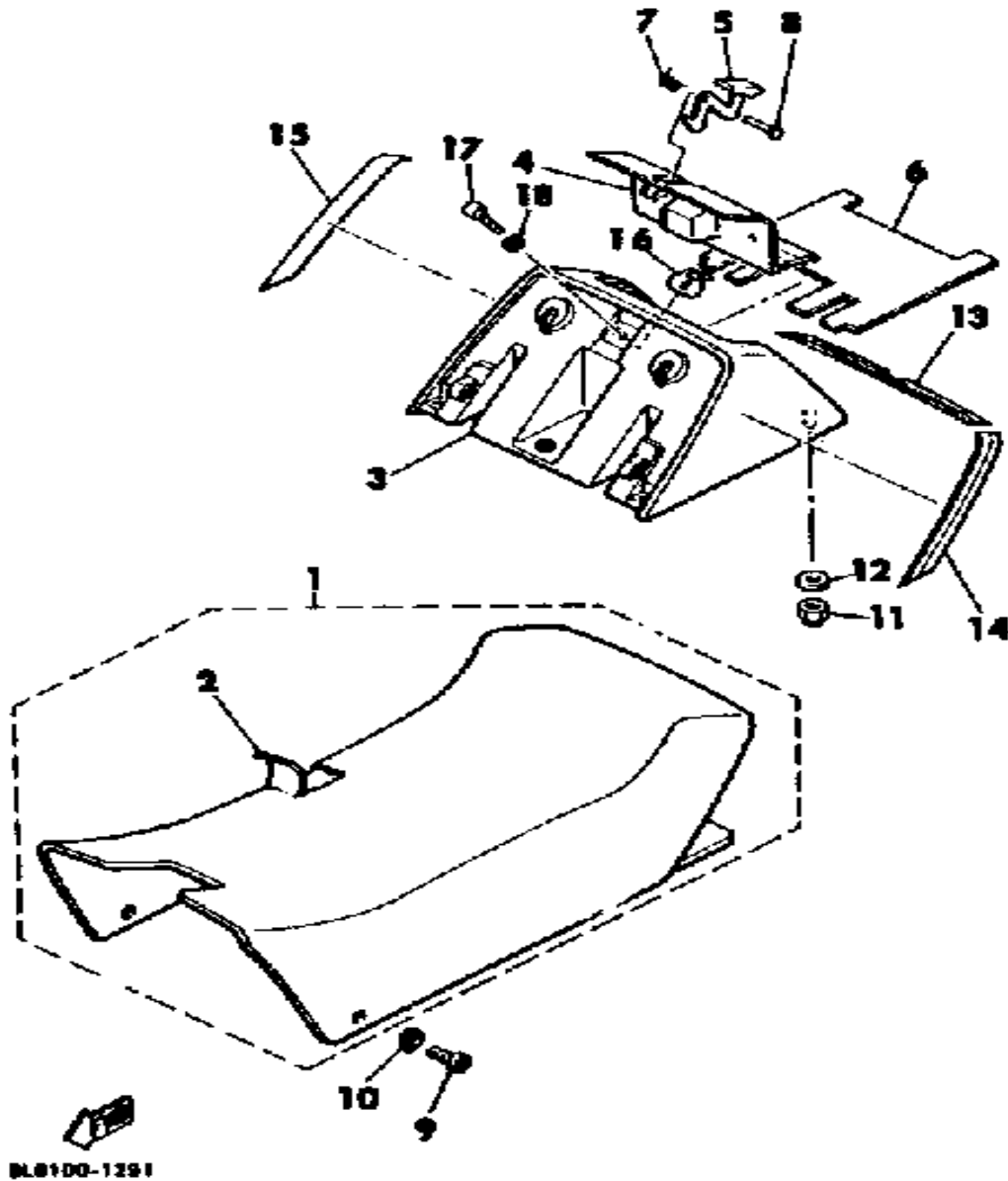
FUEL TANK



Ref. No.	Part Number	Description	Qty	Remarks
1	99999-01675-00	FUEL TANK SET	1	
2	813-24611-01-00	BODY, CAP	1	
3	813-24613-01-00	DISC, CAP	1	
4	8F7-24641-00-00	GASKET, CAP 1	1	
5	90501-20130-00	SPRING, COMPRESSION	1	
6	91609-30016-00	PIN, SPRING	1	
7	91609-25032-00	PIN, SPRING	1	
8	83M-24628-00-00	HOOK	1	
9	90508-10715-00	SPRING, TORSION	1	
10	90249-03017-00	PIN	1	
11	93430-02001-00	CIRCLIP	2	
12	90249-03016-00	PIN, SPEC'L SHAPE	1	
13	8K4-24335-00-00	PIPE, SUCTION 1	1	
14	8K4-24612-00-00	GASKET, CAP	1	
15	8K4-24336-00-00	PIPE, SUCTION 2	1	
16	90446-11081-00	HOSE	1	
17	8H5-24560-00-00	FILTER ASSEMBLY	1	
18	90467-11028-00	CLIP	2	
19	97001-08025-00	BOLT (1NV)	2	
20	92990-08100-00	WASHER	2	
21	90201-087A9-00	WASHER, PLATE	3	
22	95712-08300-00	NUT, LOCK	1	
23	91A20-07070-00	HOSE	1	
24	90467-11028-00	CLIP	2	
25	90446-09155-00	HOSE	1	
26	341-26397-01-00	BAND	2	
27	90446-09013-00	HOSE (90446-09079)	1	
28	90467-09005-00	CLIP, SCISSOR	1	

Property of www.SmallEngineDiscount.com - Not for Resale

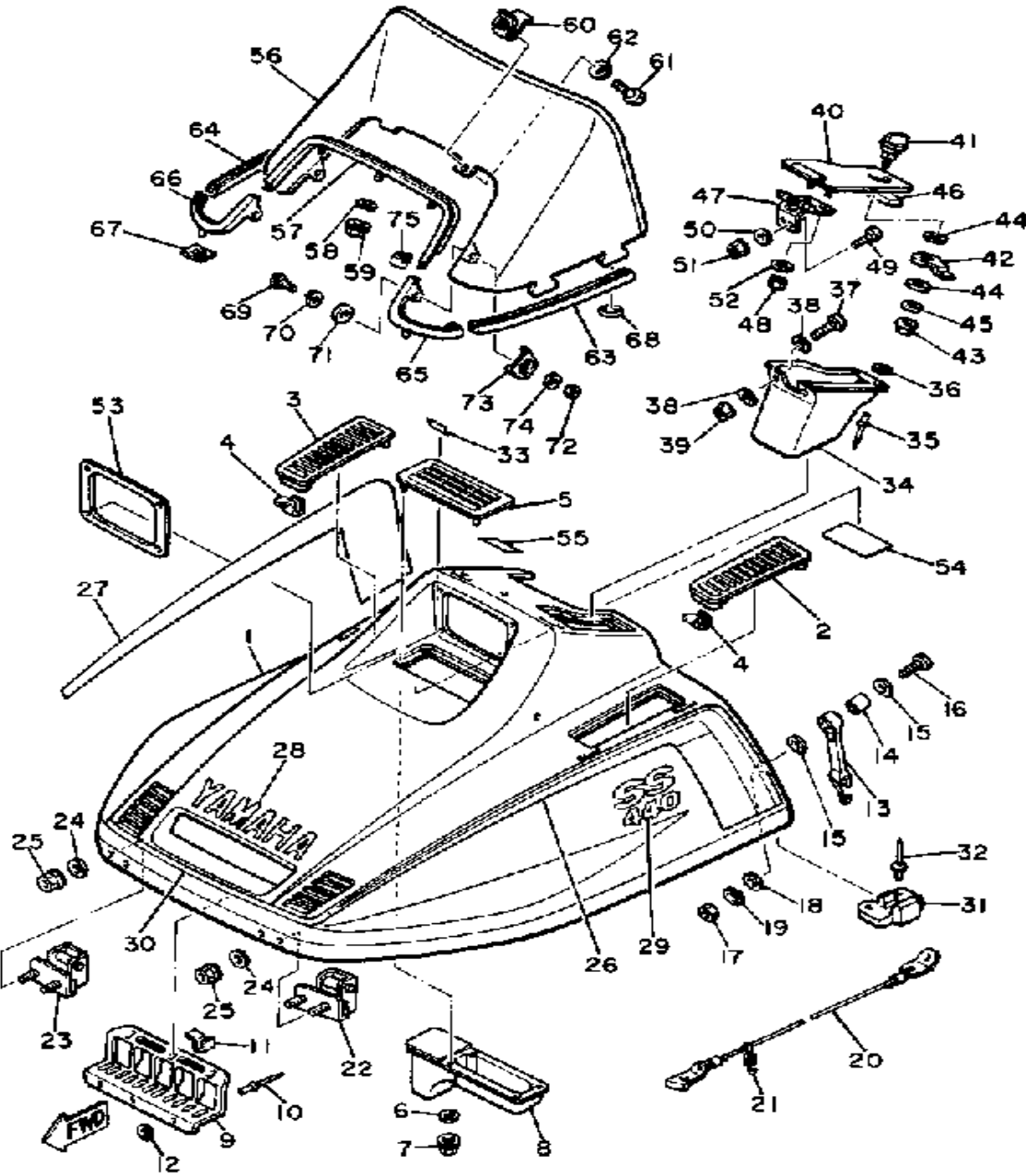
SEAT



Ref. No.	Part Number	Description	Qty	Remarks
1	8L9-24710-00-00	SINGLE SEAT ASSEMBLY	1	
2	8L8-24711-00-00	. COVER, SINGLE SEAT	1	
3	8L8-W2475-00-00	. SEAT BOX ASSEMBLY	1	
4	8L8-2473T-00-00	. LID 1	1	
5	(8L8-24776-00-00)	LEVER, SEAT	1	
6	8K4-24796-00-00	. COVER	1	
7	90508-12395-00	. SPRING, TORSION	1	
8	90243-04004-00	PIN	1	
9	90154-06003-00	SCREW, BINDING	2	
10	90201-063J2-00	WASHER, PLATE	2	
11	95712-08300-00	NUT, LOCK	6	
12	90201-08748-00	WASHER, PLATE	6	
13	(8L8-77285-00-00)	STRIPE 5	1	
14	8L8-77286-00-00	STRIPE 6	1	
15	8L8-77287-00-00	STRIPE 7	1	
16	8H8-77386-00-00	HOOK 1	1	
17	97313-05014-00	BOLT, HEXAGON	1	
18	92990-05100-00	WASHER, SPRING	1	

Property of www.SmallEngineDiscount.com - Not for Resale

SHROUD - WINDSHIELD

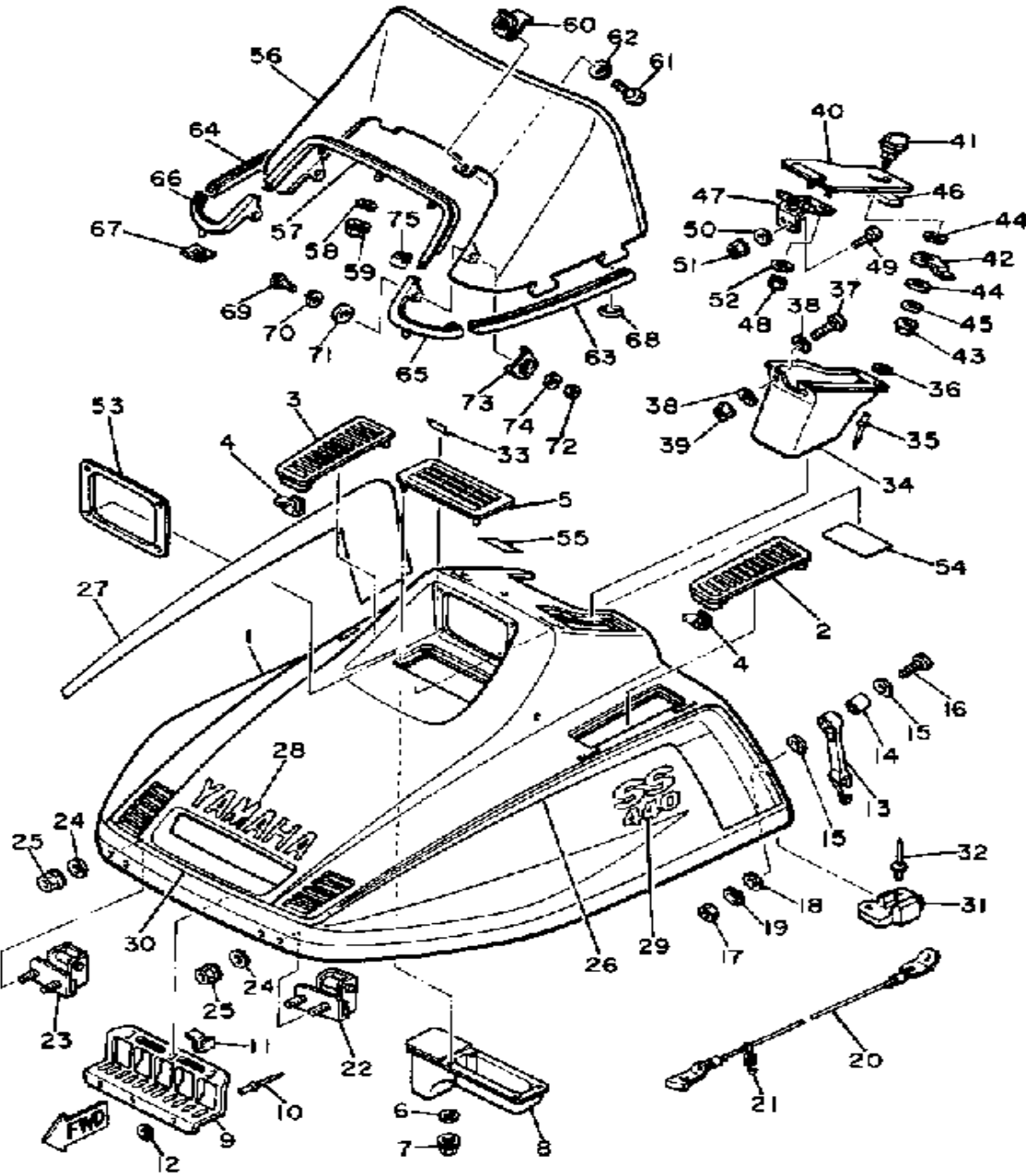


Ref. No.	Part Number	Description	Qty	Remarks
1	8L8-W7711-02-00	SHROUD ASSEMBLY	1	
2	8L9-77133-00-00	LOUVER 3	1	
3	8L9-77134-00-00	LOUVER 4	1	
4	90468-05094-00	CLIP	4	
5	8K4-77109-01-00	LOUVER 5	1	
6	90201-05029-00	WASHER, PLATE	4	
7	95701-05300-00	NUT, NYLON	4	
8	8K4-7712E-00-00	INSULATOR	1	
9	8K4-77194-00-00	DUCT	1	
10	90267-48053-00	RIVET, BLIND	3	
11	90468-05176-00	CLIP	3	
12	90201-04325-00	WASHER, PLATE	3	
13	8G5-77170-00-00	LATCH ASSEMBLY	2	
14	90560-07007-00	SPACER	2	
15	90201-06067-00	WASHER, PLATE	4	
16	98906-06030-00	SCREW, BIND	2	
17	95380-06600-00	NUT	2	
18	92901-06600-00	WASHER	2	
19	92995-06100-00	WASHER, SPRING	2	
20	8K4-77118-00-00	STOPPER, SHROUD	1	
21	838-77159-00-00	CLAMP, ROD	1	
22	8L8-77140-00-00	HINGE ASSEMBLY	1	
23	8L8-7714A-00-00	HINGE ASSEMBLY 2	1	
24	90201-067A6-00	WASHER, PLATE	4	
25	95701-06300-00	NUT, NYLON	4	
26	(8L8-77163-00-00)	ORNAMENT 1	1	
27	(8L8-77164-00-00)	ORNAMENT 2	1	
28	(8L8-W0070-00-00)	GRAPHIC SET	1	WITH +OPTIONAL KITS

CONTINUED ON NEXT FRAME ➤

Property of www.SmallEngineDiscount.com - Not for Resale

SHROUD - WINDSHIELD

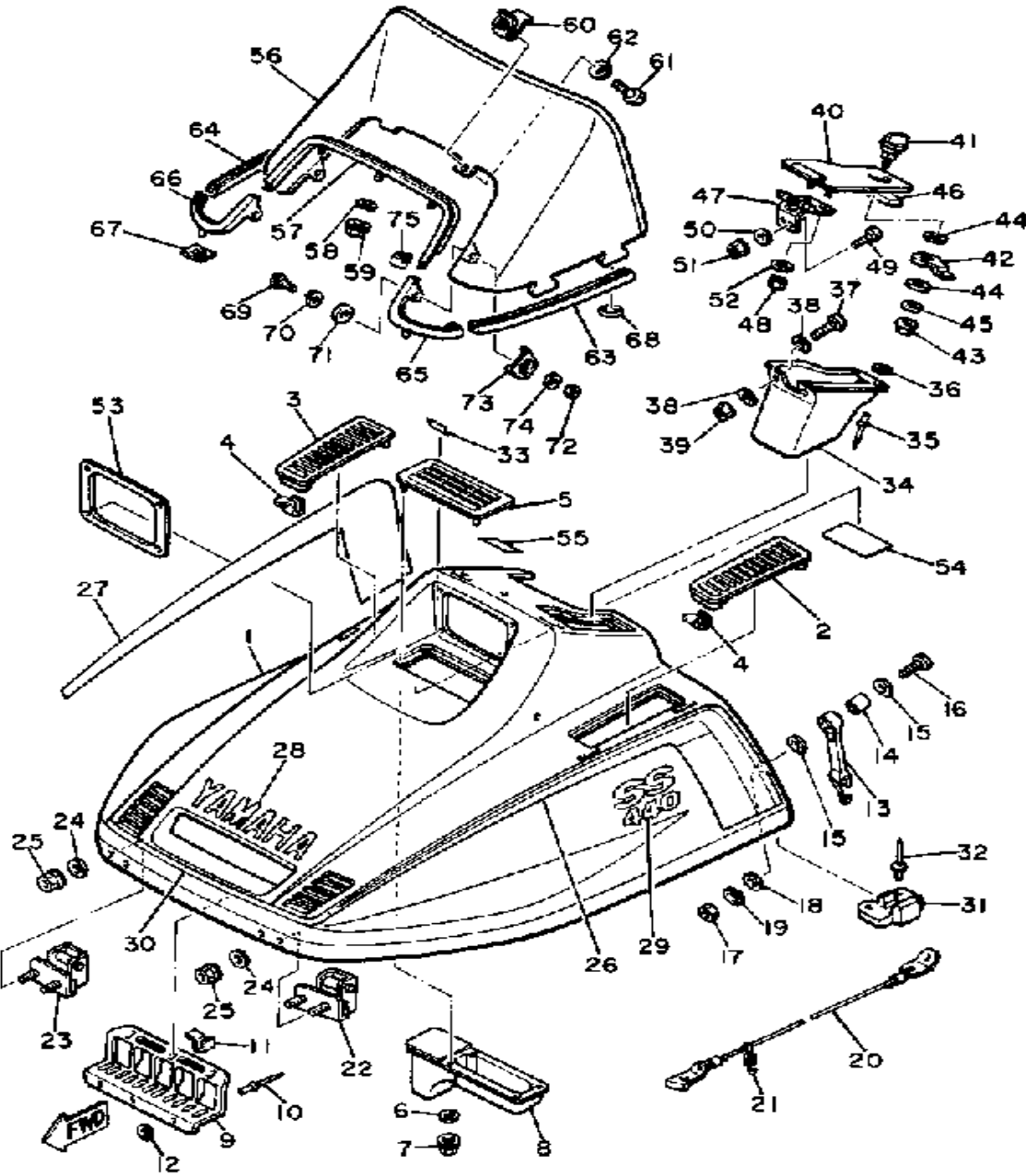


Ref. No.	Part Number	Description	Qty	Remarks
28	(8L9-77357-00-00)	EMBLEM 7	1	
29	(8L8-77358-00-00)	EMBLEM 8	2	
30	(8L8-77281-00-00)	STRIPE 1	1	
31	8K4-77188-00-00	STOPPER	2	
32	90267-48086-00	RIVET, BLIND	4	
33	288-21659-00-00	LABEL, SAFETY	1	
34	8K4-77391-00-00	LUGGAGE BOX	1	
35	90267-48078-00	RIVET, BLIND	2	
36	90201-04325-00	WASHER, PLATE	2	
37	98516-06020-00	SCREW, PAN HEAD	2	
38	90201-06059-00	WASHER, PLATE	4	
39	95701-06300-00	NUT, NYLON	2	
40	8L8-77392-00-00	COVER, LUGGAGE BOX	1	
41	8L8-77324-00-00	KNOB	1	
42	8K4-77328-00-00	LEVER, arm fitting	1	
43	95706-05300-00	NUT, nylon	1	
44	90201-10119-00	WASHER, PLATE	2	
45	90201-05725-00	WASHER, PLATE	1	
46	8K4-77374-00-00	DAMPER 2	1	
47	8K4-77470-00-00	HINGE ASSEMBLY	1	
48	95306-05800-00	NUT (CROWN)	2	
49	98506-05014-00	SCREW, PAN HEAD	2	
50	90201-05029-00	WASHER, PLATE	2	
51	95701-05300-00	NUT, NYLON	2	
52	92906-05200-00	WASHER, PLAIN	2	
53	8K4-77165-00-00	TRIM 1	1	
54	(8L8-77743-00-00)	INDICATOR 3	1	
55	8L2-77761-01-00	LABEL, WARNING 1	1	
56	8L0-77210-00-XX	WINDSHIELD (8L0-77210-00) ..	1	

CONTINUED ON NEXT FRAME ►

Property of www.SmallEngineDiscount.com - Not for Resale

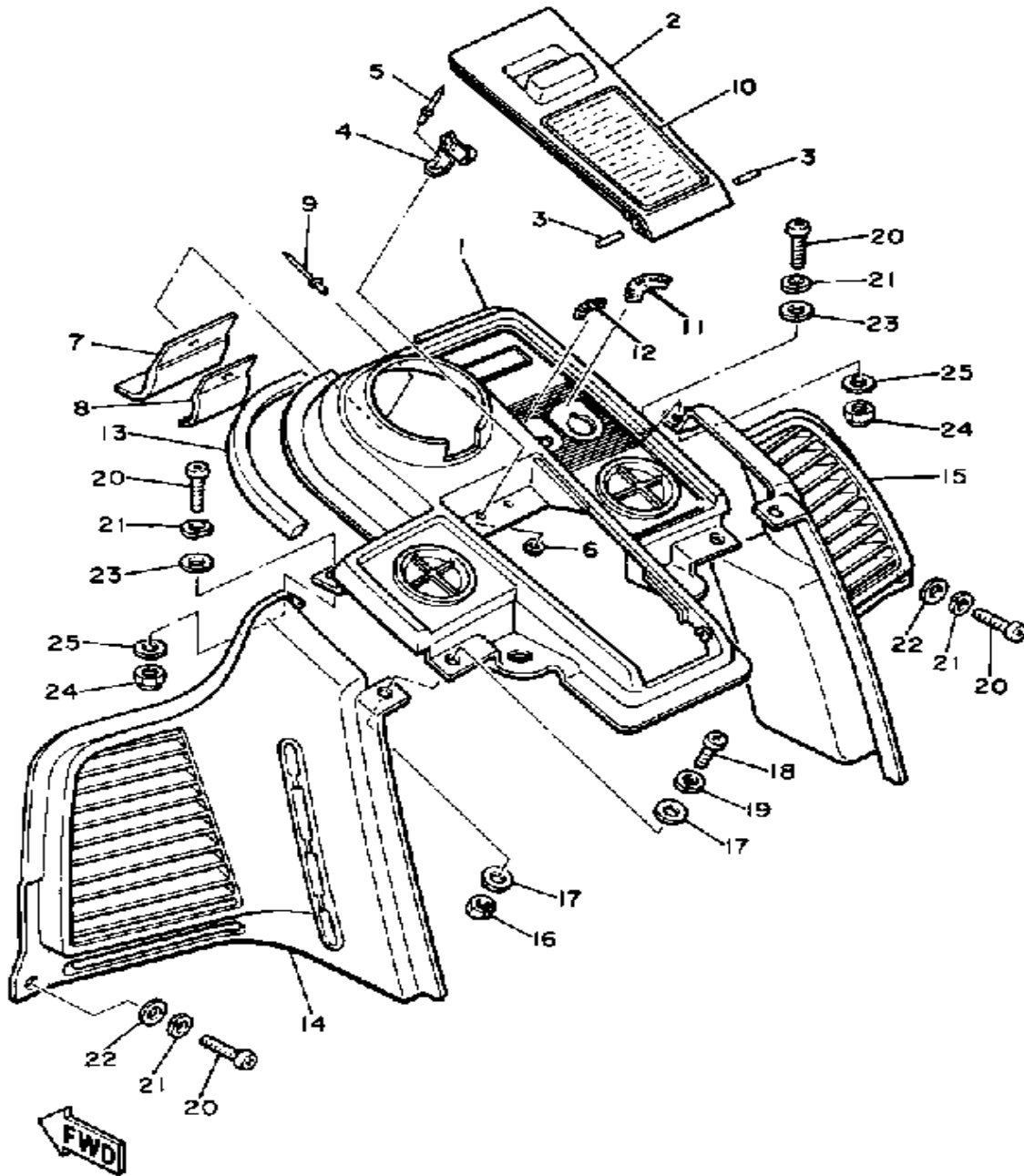
SHROUD - WINDSHIELD



Ref. No.	Part Number	Description	Qty	Remarks
57	8L0-77214-00-00	TRIM, lower	1	
58	92901-05600-00	WASHER, PLATE	3	
59	95701-05300-00	NUT, NYLON	3	
60	8K4-77222-00-00	BRACKET, WNDSHLD R	1	
61	97011-06010-00	BOLT	1	
62	92995-06100-00	WASHER, SPRING	1	
63	8L0-77215-00-00	TRIM 3	1	
64	8L0-77216-00-00	TRIM 4	1	
65	8L0-77225-00-00	TRIM 5	1	
66	8L0-77226-00-00	TRIM 6	1	
67	90183-05019-00	NUT, SPRING	2	
68	82H-77223-00-00	FASTNER	4	
69	97313-05016-00	BOLT, HEXAGON	2	
70	92990-05100-00	WASHER, SPRING	2	
71	90201-05033-00	WASHER, PLATE	2	
72	95306-05800-00	NUT (CROWN)	2	
73	(8L8-77116-00-00)	WASHER, SPECIAL	2	
74	90201-06643-00	WASHER, PLATE	2	
75	8L0-77136-00-00	CLAMP 2	2	

Property of www.SmallEngineDiscount.com - Not for Resale

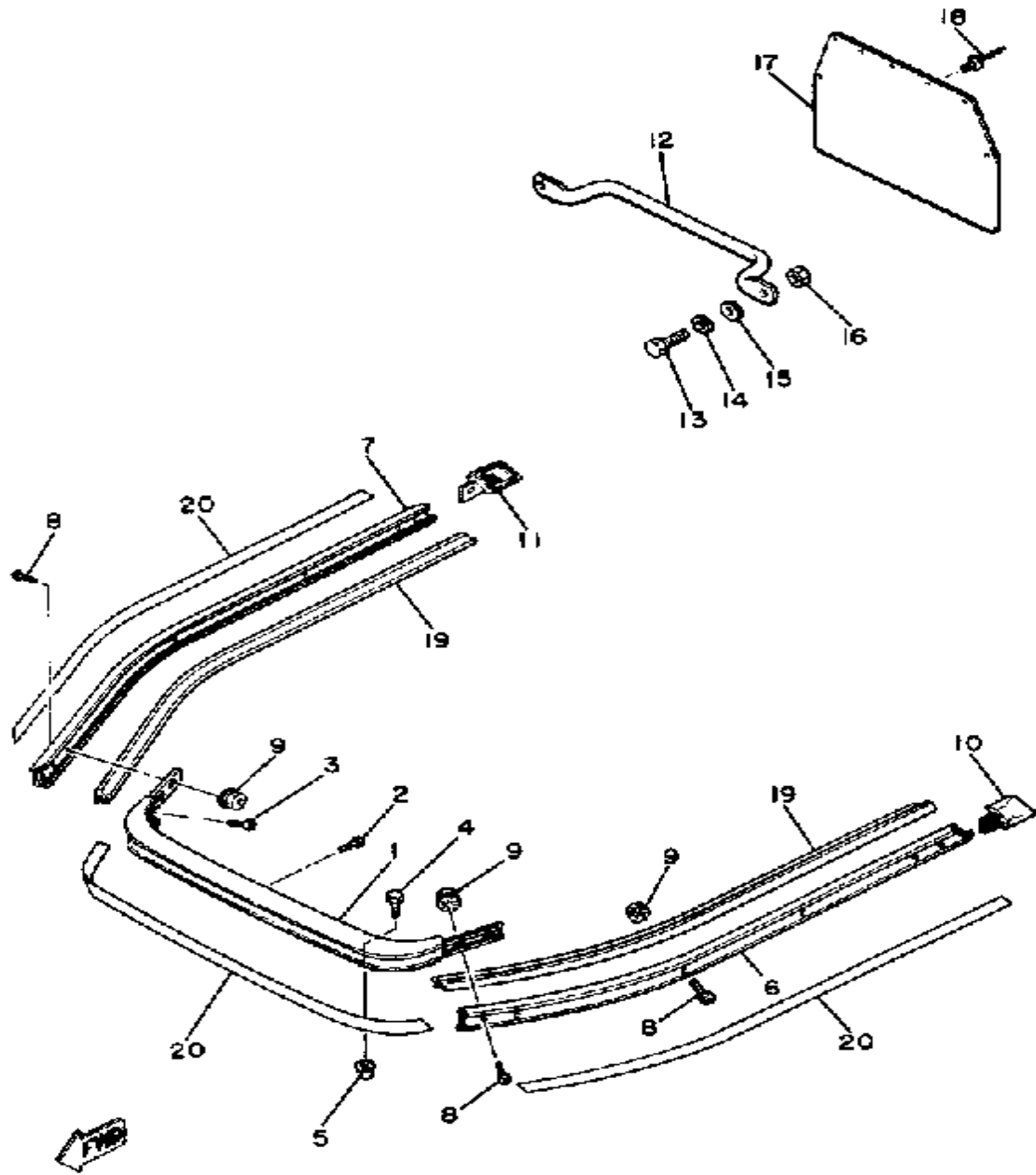
INSTRUMENT PANEL



Ref. No.	Part Number	Description	Qty	Remarks
1	8L8-77711-01-00	PANEL INSTRUMENT	1	
2	8K4-77712-00-00	PANEL, INSTRUMENT	1	
3	8K4-77477-00-00	PIN, HINGE	2	
4	821-24794-01-00	SPRING, SEAT BACK	1	
5	90267-32072-00	RIVET, BLIND	2	
6	90201-03313-00	WASHER, PLATE	2	
7	8K4-77161-00-00	STRIP, WEATHER 1	1	
8	8K4-77185-00-00	PLATE 1	1	
9	90267-48014-00	RIVET, BLIND	1	
10	8K4-77761-00-00	LABEL, WARNING 1	1	
11	8K2-77741-00-00	INDICATOR 1	1	
12	8K4-77742-00-00	INDICATOR 2	1	
13	8K4-77162-00-00	STRIP, WEATHER 2	1	
14	8K4-77131-00-00	LOUVER 1	1	
15	8K4-77132-00-00	LOUVER 2	1	
16	95380-06600-00	NUT	2	
17	90201-06059-00	WASHER, PLATE	4	
18	98506-06016-00	SCREW, PANHEAD	2	
19	92906-06100-00	WASHER, SPRING	2	
20	98506-06016-00	SCREW, PANHEAD	4	
21	92906-06100-00	WASHER, SPRING	4	
22	90201-060A3-00	WASHER, PLATE	2	
23	92901-06600-00	WASHER	2	
24	95601-06100-00	NUT, U	2	
25	90201-06643-00	WASHER, PLATE	2	

Property of www.SmallEngineDiscount.com - Not for Resale

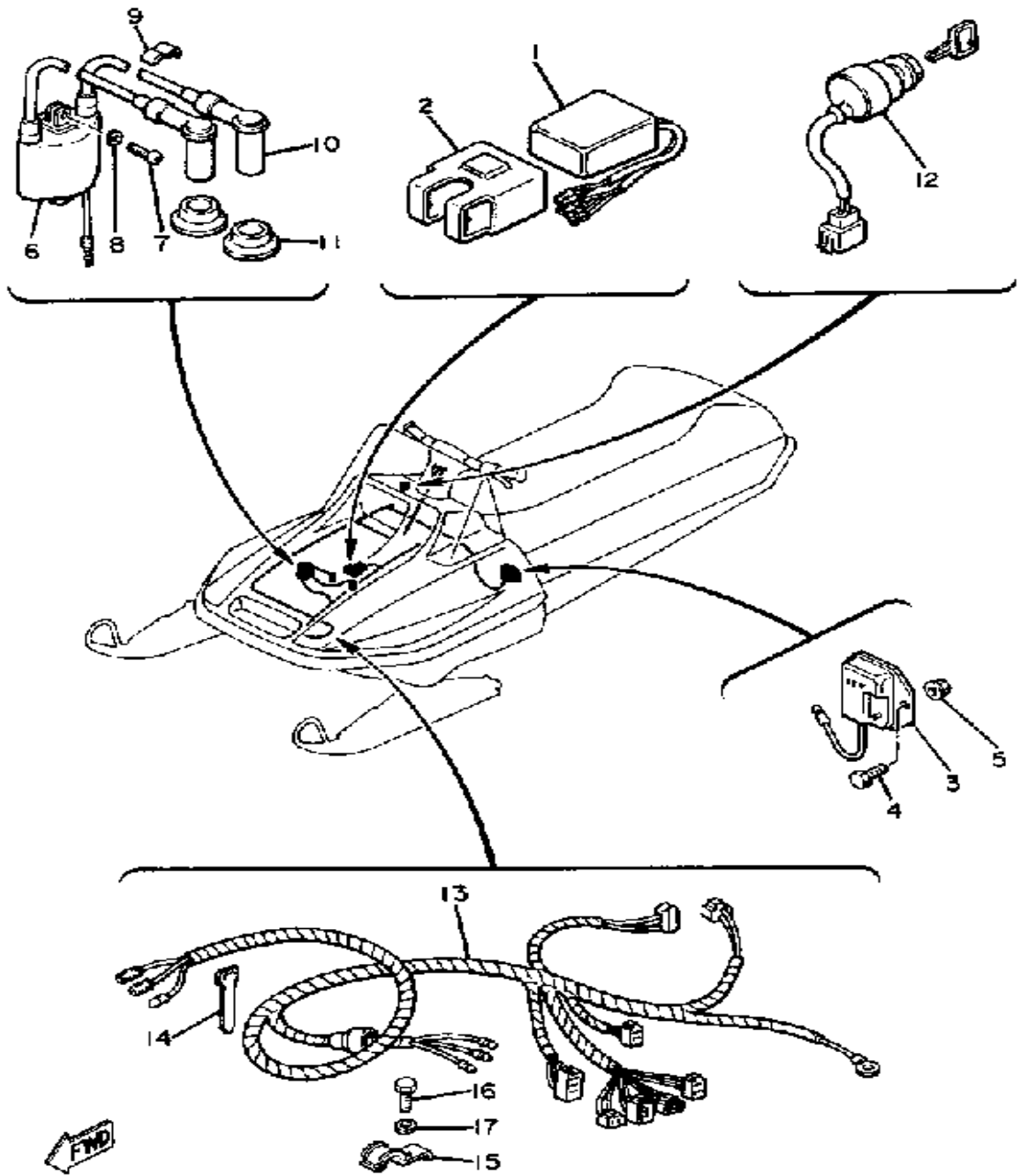
BUMPER



Ref. No.	Part Number	Description	Qty	Remarks
1	8L8-77511-00-00	BUMPER, FRONT 1	1	
2	98980-06016-00	SCREW, BINDING	3	
3	98903-06010-00	SCREW, BIND	2	
4	97026-06014-00	BOLT	2	
5	95706-06300-00	NUT, NYLON	2	
6	(8L8-77512-00-00)	BUMPER, FRONT 2	1	
7	8L8-77513-00-00	BUMPER, FRONT 3	1	
8	98903-06012-00	SCREW, BIND	12	
9	95701-06500-00	NUT, FLANGE	12	
10	8L8-77523-00-00	END, BUMPER	1	
11	8L8-77524-00-00	END, BUMPER	1	
12	8L8-77541-00-00	BUMPER, REAR 1	1	
13	97016-08020-00	BOLT	2	
14	92906-08100-00	WASHER, SPRING	2	
15	92906-08600-00	WASHER	2	
16	95333-08600-00	NUT	2	
17	8V8-77595-00-00	FLAP	1	
18	90267-48086-00	RIVET, BLIND	5	
19	8K4-77515-01-00	BUSH, RUBBER 1	2	
20	(8K4-77283-00-00)	STRIPE 3	3	

Property of www.SmallEngineDiscount.com - Not for Resale

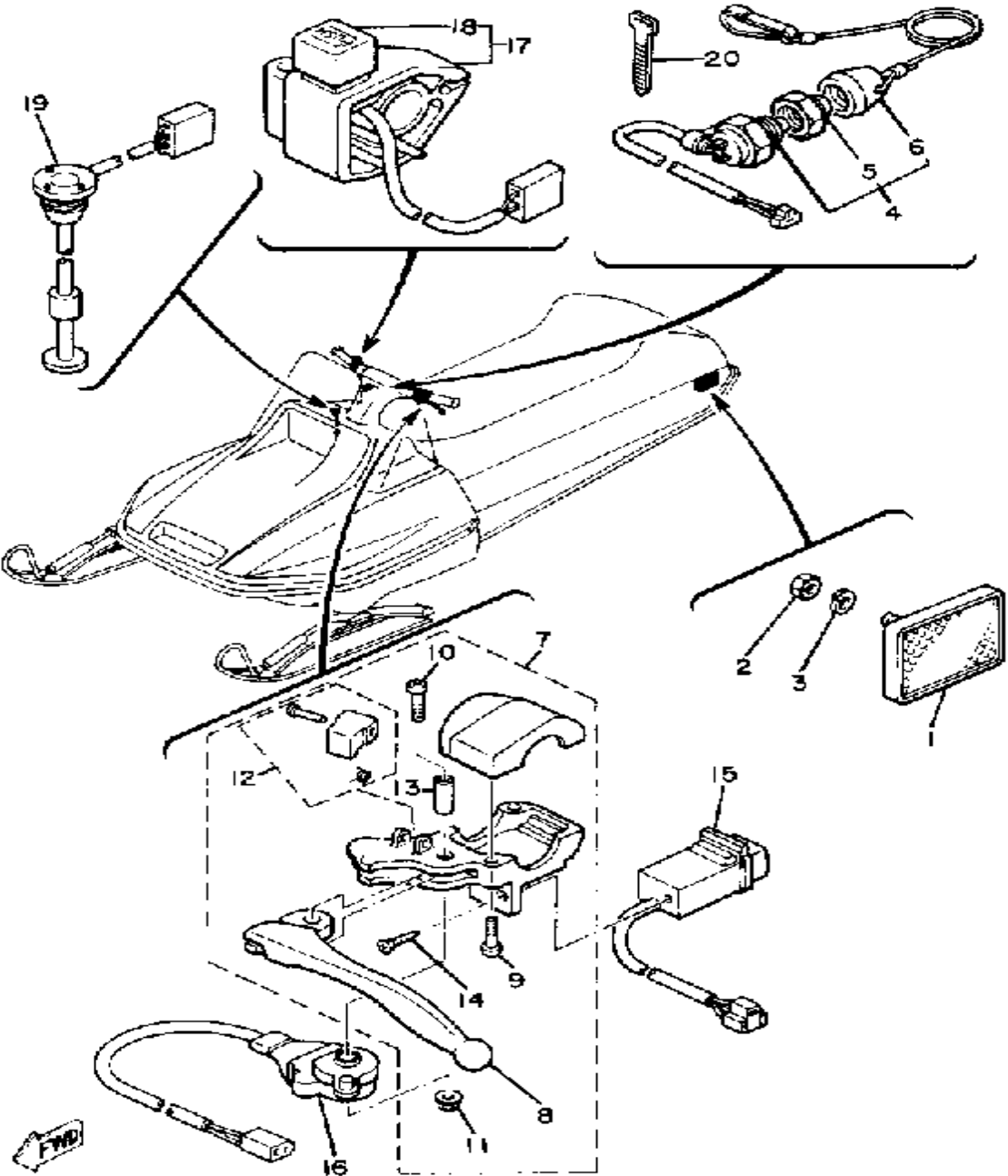
ELECTRICAL 1



Ref. No.	Part Number	Description	Qty	Remarks
1	8H4-85540-20-00	CDI UNIT ASSEMBLY	1	
3	82F-81910-A0-00	VOLTAGE REGULATOR ASSEMBLY	1	
4	97301-06014-00	BOLT, HEXAGON	2	
5	95701-06300-00	NUT, NYLON	2	
6	8K4-82310-11-00	IGNITION COIL ASSEMBLY ...	1	
7	98580-06020-00	SCREW	2	
8	92995-06100-00	WASHER, SPRING	2	
9	861-82361-00-00	CLAMP, CORD	1	
10	8K1-82370-20-00	PLUG CAP ASSEMBLY (WITH RESISTOR)	2	
11	8G5-82372-00-00	SEAL, PLUG CAP	2	
12	8K4-82508-20-00	MAIN SWITCH ASSEMBLY ...	1	
13	8L8-82590-20-00	WIRE HARNESS ASSEMBLY ..	1	
14	437-83936-01-00	BAND, SWITCH CORD	1	
15	90462-06079-00	CLAMP	1	
16	97013-06012-00	BOLT	1	
17	92995-06100-00	WASHER, SPRING	1	

Property of www.SmallEngineDiscount.com - Not for Resale

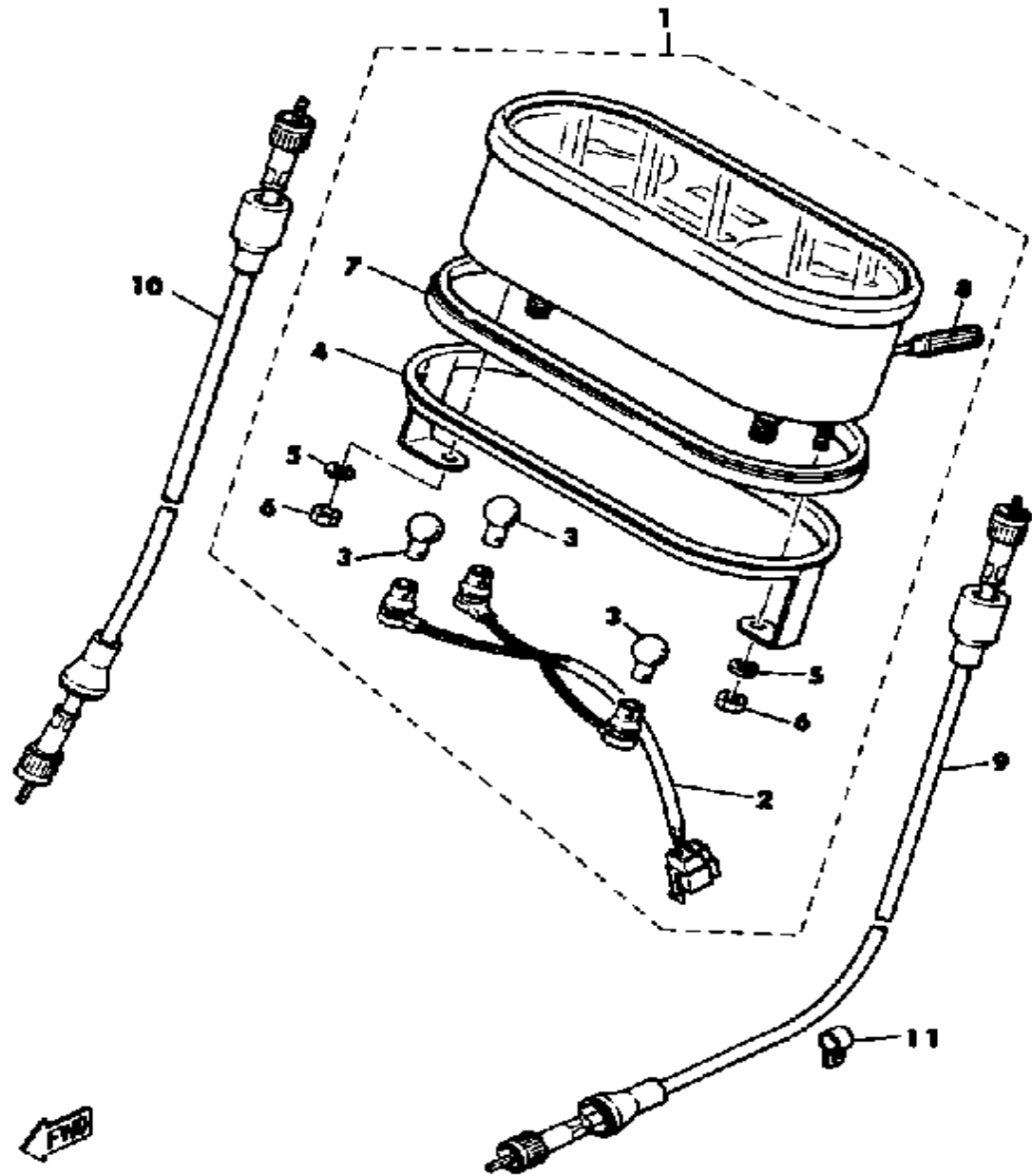
ELECTRICAL 2



Ref. No.	Part Number	Description	Qty	Remarks
1	8J7-85131-00-00	REFLECTOR, REAR 1	2	
2	95380-06600-00	NUT	2	
3	92995-06100-00	WASHER, SPRING	2	
4	8H8-82550-01-00	ENGINE STOP SWITCH ASSEMBLY	1	
5	8H8-82557-00-00	. NUT	1	
6	8H8-82552-09-00	. CAP, SWITCH	1	
7	88R-W8291-00-00	LEVER HOLDER ASSEMBLY (LEFT)	1	
8	8H8-83912-00-00	. LEVER 1	1	
9	98580-05020-00	. SCREW, PAN HEAD	2	
10	98501-05040-00	. SCREW, PAN HEAD (98502-05040)	1	
11	95701-05300-00	. NUT, NYLON	1	
12	82A-83930-00-00	. LEVER LOCK ASSEMBLY	1	
13	802-83913-00-00	. COLLAR, LEVER 1	1	
14	97780-30312-00	. SCREW, tapping	2	
15	8H8-83950-01-00	BEAM SWITCH ASSEMBLY (8K4-83950-01-00)	1	
16	88R-82530-00-00	STOP SWITCH ASSEMBLY	1	
17	8L8-83976-00-00	SWITCH, HANDLE 1	1	
18	8E3-83956-01-00	. CAP 1	1	
19	4A5-85720-00-00	OIL LVL GAUGE ASSEMBLY (8K2-85720-00)	1	
20	437-83936-01-00	BAND, SWITCH CORD	1	

Property of www.SmallEngineDiscount.com - Not for Resale

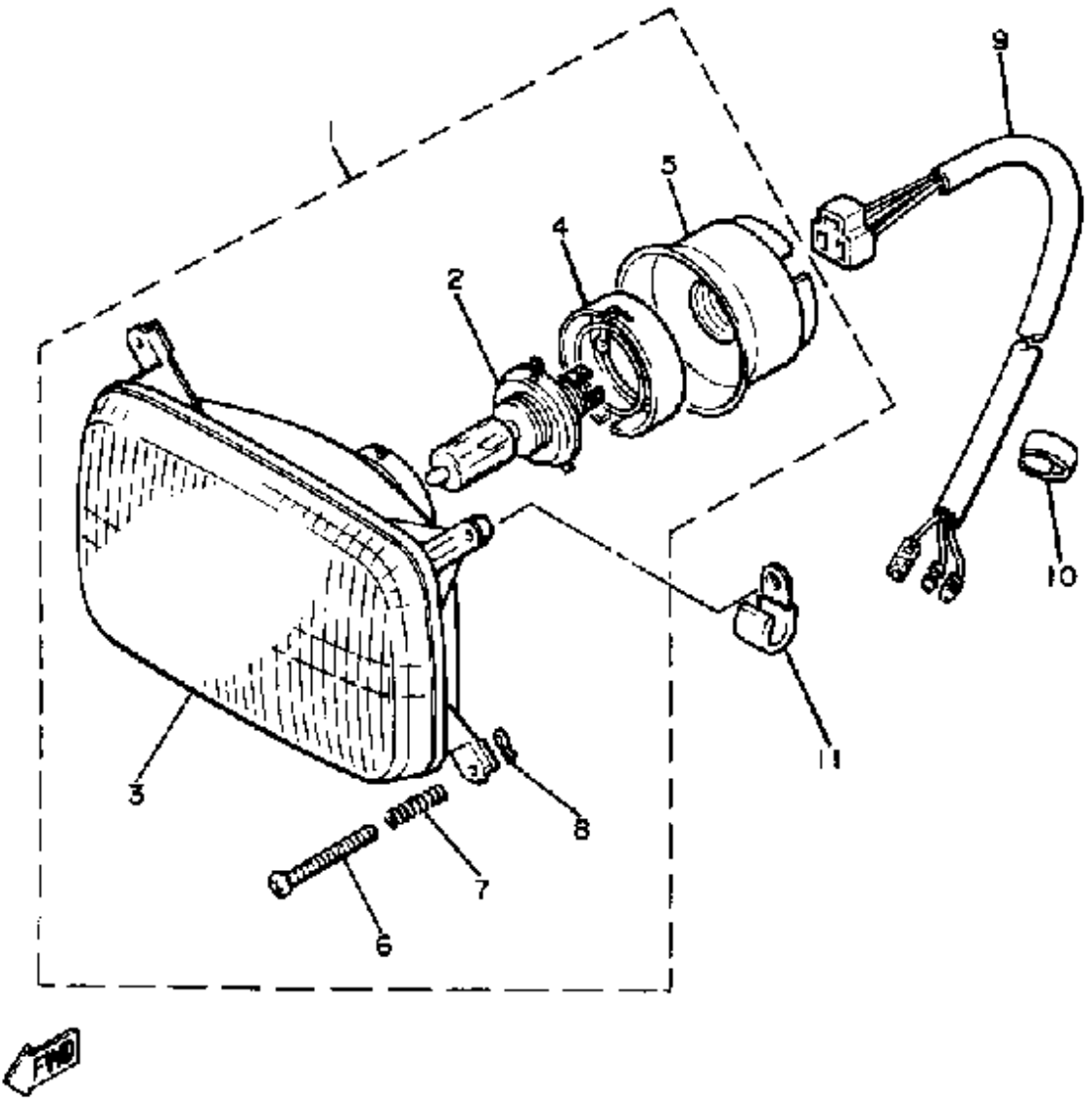
METER



Ref. No.	Part Number	Description	Qty	Remarks
1	8L8-83500-40-00	SPEEDOMETER ASSEMBLY ..	1	MILE/H
2	8K4-83536-00-00	. SOCKET, METER	1	
3	123-83516-21-00	. BULB (12V-3.4W)	3	
4	8K4-83519-01-00	. BRACKET, METER	1	
5	92990-05100-00	. WASHER, SPRING	2	
6	95380-05600-00	. NUT	1	
7	8K4-83513-00-00	. DAMPER	1	
8	8L8-83578-00-00	. KNOB, TRIP METER	1	
9	8K4-83550-00-00	SPEEDOMETER CABLE ASSEMBLY	1	
10	8A1-83550-02-00	SPEEDOMETER CABLE ASSEMBLY	1	
11	90461-06M01-00	CLAMP	1	

Property of www.SmallEngineDiscount.com - Not for Resale

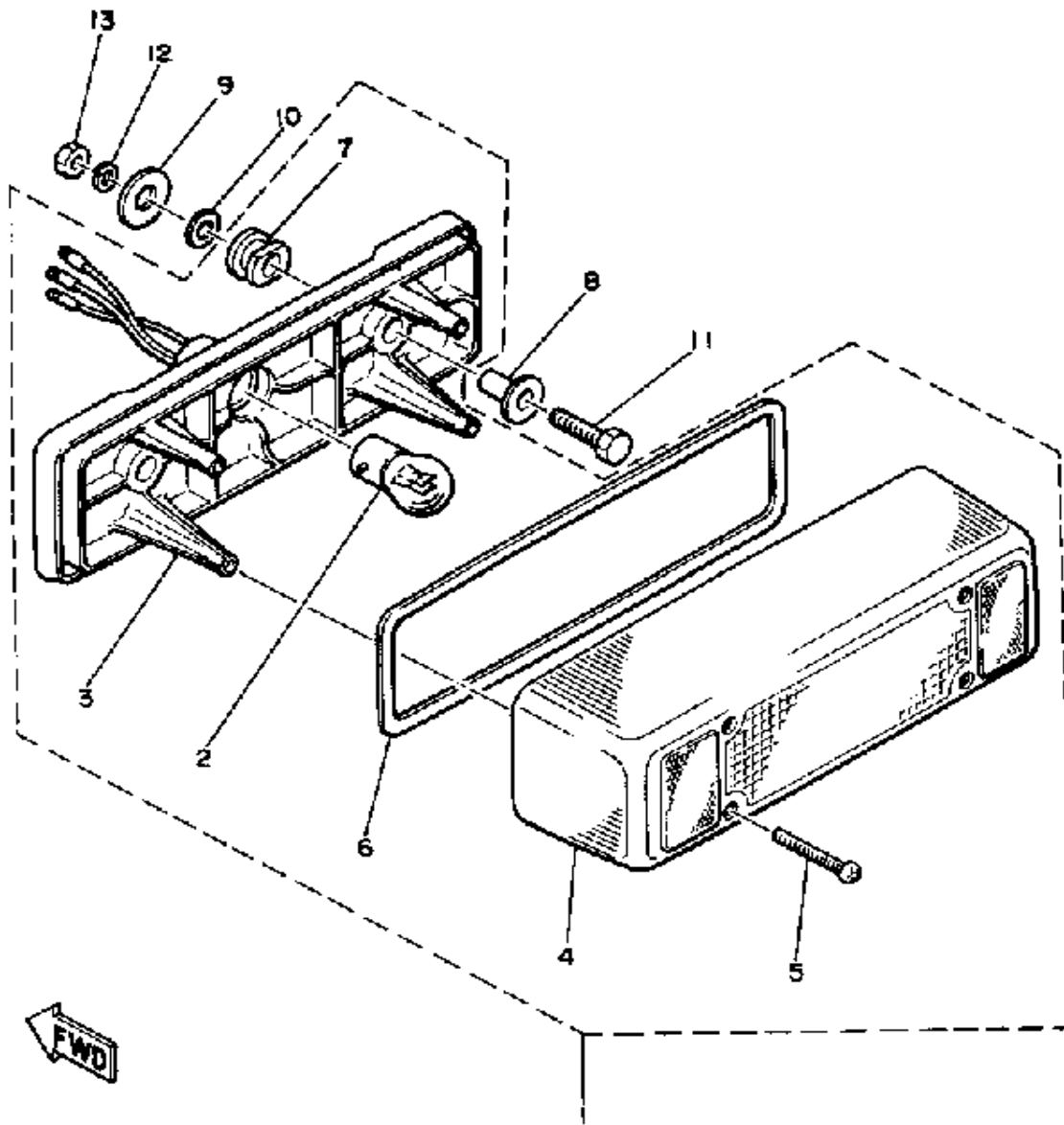
HEADLIGHT



Ref. No.	Part Number	Description	Qty	Remarks
1	8M6-84310-00-00	HEADLIGHT UNIT ASSEMBLY	1	
2	5V2-84314-00-XX	. BULB, HL 12V60/55W (2F9-84314-00)	1	
3	8K4-84320-00-00	. LENS ASSEMBLY	1	
4	8A7-84312-00-00	. HOLDER, SOCKET	1	
5	8A7-84397-01-00	. COVER, SOCKET	1	
6	8M6-84331-00-00	. SCREW, RIM ADJUSTING (8A5-84331-00-00)	4	
7	8A5-84332-00-00	. SPRING, SCREW	4	
8	8K4-84374-00-00	. CLIP	4	
9	8H8-84359-00-00	CORD, HEADLIGHT	1	
10	90464-10038-00	CLAMP	1	
11	90465-08028-00	CLAMP	2	

Property of www.SmallEngineDiscount.com - Not for Resale

TAILLIGHT



Ref. No.	Part Number	Description	Qty	Remarks
1	8K4-84710-00-00	TAILLIGHT UNIT ASSEMBLY ..	1	
2	137-84714-61-00	. BULB, TL 12V23/8W (J50-83311-00)	1	
3	8K4-84711-00-00	. BASE, TAILLIGHT	1	
4	8K4-84721-00-00	. LENS, TAILLIGHT	1	
5	97780-40130-00	. SCREW, PANHEAD TAPPING (97701-40130-00)	4	
6	87M-84723-00-00	. GASKET, TAIL LENS	1	
7	8K4-84718-00-00	. GROMMET	2	
8	90387-060G8-00	COLLAR	2	
9	90201-06407-00	WASHER, PLATE (90201-06747-00)	2	
10	90201-06057-00	WASHER, PLATE	2	
11	97013-06035-00	BOLT	2	
12	92995-06100-00	WASHER, SPRING	2	
13	95380-06600-00	NUT	2	

Property of www.SmallEngineDiscount.com - Not for Resale

SS440E

1981 SERVICE/HIGH ALTITUDE TUNING DATA

This bulletin replaces S80-011A.
Please remove and destroy bulletin S80-011A. ▲ Denotes a change from the original bulletin.

MODEL - IBM I.D. NUMBER	SS440E	8L8
Starting Engine and Frame Number	SA437-010101 / 8L8-010101	
Dry Vehicle Weight	NA	
ENGINE - Type / Induction System	2-Stroke, 7-Port Reed Valve, Forced Air-Cooled	
Bore x Stroke x Cylinders / Displacement (cc)	66mm x 64mm x 2 / 437cc	
Compression Ratio	6.2:1	
Piston Skirt Clearance (New / Max)	0.045 ~ 0.05mm (17mm from bottom skirt) / 0.1mm	
Ring End Gap (Top / 2nd)	0.3 ~ 0.5mm / 0.3 ~ 0.5mm	
Ring Groove Clearance (Top / 2nd)	0.02 ~ 0.06mm / 0.02 ~ 0.06mm	
Coolant Type / Mixing Ratio	∅ / ∅	
CARBURETOR - Mfr. / Type / I.D. Number	▲ Keihin / BD44-38 / 8L8-00	
Quantity / Venturi Size (Measured / Effective)	▲ 1 / 44mm / 38mm	
Main Jet / Main Air Jet	160 / 180	
Partial Jet / Slow Jet / Slow Air Jet / Air Screw	∅ / 80 / 100 / ∅	
Pilot Jet / Pilot Screw	∅ / 2.0 Turns Out	
Needle Jet / Jet Needle-Clip Position / Cutaway / Air Jet	∅ / ∅ / ∅ / ∅	
Power Jet / Power Air Jet	130 / 90	
Fuel Inlet Valve / Float Level / Fuel Level	2.0 / 15 ∅mm / ∅	
Idle Speed	1500 rpm	
AUTOLUBE - Pump Color / Control Rod Adj.	Red / 25 ± 1mm @ Pump Wire @ Idle	
Pump Plunger Stroke (Min) (Max)	0.20 ~ 0.25mm / 1.65 ~ 1.87mm	
Output @ 200 Strokes (Full Throttle / Idle)	7.84 ~ 8.89cc / 0.95 ~ 1.19cc	
DRIVE - Type	V-Belt Automatic	
Engagement rpm / Shift rpm	3600 rpm / 6900 rpm	
Belt Length / Width / Wear Limit / IBM Number	1099mm / 31.6mm / 26mm / 8F2	
Primary Ratio(s)	3.5:1 ~ 1:1	
Sheave Center to Center / Offset	270 ∅mm / 11mm	
Primary Spring Color / Length / Rate	Red-Pink / 81.5mm / 1.75 kg/mm	
Secondary Spring Pre-Load / Part Number / Color	210° / 90508-45286-00 / Yellow	
Secondary Drive Ratio / Chain Pitch-Type / Free Play	1.7 (29/17) / 9.525mm - No. 35-3 / 10 ∅mm	
Track (Width) / Tension	381mm / 25 ∅mm @ 10 kg	
CAPACITIES - Chain Case / Quantity / Type	250cc / SAE 75 ~ 80 API GL-3 Gear Oil	
Fuel Tank / Quantity / Grade	27.3 Lit. (7.2 Gal.) / Regular	
Autolube Tank / Quantity / Type	2.5 Lit. (2.6 Qts.) / Yamalube 2*	
ELECTRICAL - Mfr. / Type	Mitsubishi / CDI	
Battery: Model / Specific Gravity / Charge Rate	∅	
Lighting Output at Full Load	11.8V 100W @ 3000 rpm	
Headlight / Taillight / Instrument Ratings	12V60-55W / 12V23-8W / 12V3.4W	
Lighting Coil Resistance	Yel ~ Blk / 0.20 Ω ± 10%	
Ignition Source Coil Resistance (Charge Coil)	Brn ~ Blu / 350 Ω ± 10% Blu ~ Blk / 15.0 Ω ± 10%	
Pulse Coil Resistance	Wht-Red ~ Blk / 9.0 Ω ± 10%	
Ignition Coil Resistance Primary Ω / Secondary Ω	0.15 Ω ± 10% / 3.6K Ω ± 10%	
Spark Plug Type / Gap / Torque	NGK BR9ES / 0.7 ~ 0.8mm / 2.7 m-kg	
Timing (BTDC)	1.5mm BTDC	

∅ = Does Not Apply To This Model
NA = Information Not Available

* Available From YPDI Warehouse

SERVICE COPY	SER MGR	MECH	MECH	MECH	BINDER
OFFICE COPY	GEN MGR	SALES	PARTS	BINDER	PAGE 1 OF 2

1981 SS440E HIGH ALTITUDE SPECIFICATIONS

	STANDARD	HIGH ALTITUDE
Idle	1500 rpm	1500 rpm
Clutch Engagement	2500 rpm ± 100	3700 rpm ± 100
Shift speed	6900 rpm ± 100	6900 rpm ± 100
Main Jet	#155	See "Setting Chart"
Slow Jet	# 80	#90
Low Speed Mixture Screw	2.0 Turns	2.0 Turns
Reduction Ratio	17/29	15/29
Primary Spring		▲ Blu-Wht 90501-55388-00 Light Load/Cold Temp. 40 x 2.4 Red-Org 90501-55487-00 Heavy Load/High Temp. 50 x 2.0
Secondary Spring Twist	#3 Hole 210°	#4 Hole 240°
Primary Weight Rivets	#28 #3 Hole	As Needed To Achieve Proper Engine rpm

NOTE:

- Pilot jets to be selected according to engine response.
- To prevent fuel pump vapor lock in extremely warm conditions remove louver and air duct located in front of headlight.

MAIN JET SETTING CHART

Elevation	Temperature					
	-30°C (-22°F)	-20°C (-4°F)	-10°C (14°F)	0°C (32°F)	10°C (50°F)	20°C (68°F)
Sea Level	← #160 →					
600m (2000 ft.)	← #165 →	← #160 →				← #155 →
1200m (4000 ft.)	← #155 →					
1800m (6000 ft.)	← #160 →	← #150 →				← #150 →
2400m (8000 ft.)	← #155 →	← #140 →				← #145 →
3000m (10,000 ft.)	← #145 →	← #135 →				← #135 →
	← #140 →	← #130 →				← #130 →

1981 SS440E ALTERNATE PARTS LIST

MAIN JET SIZE	PART NUMBER
#165	8A6-14516-65-00
#160	8A6-14516-60-00
#155	8A6-14516-55-00*
#150	8A6-14516-50-00
#145	8A6-14516-45-00
#140	8A6-14516-40-00
#135	8A6-14516-35-00
#130	8A6-14516-30-00
GEARING	PART NUMBER
17 T	878-17682-70-00*
15 T	878-17682-50-00
29 T	878-47548-90-00*
31 T	878-47587-00-00

PILOT JET SIZE	PART NUMBER
#100	8G6-14948-27-00
# 95	8G6-14948-25-00
# 90	8G6-14948-23-00
# 85	8G6-14948-21-00

*Standard

1981 SS440E HIGH ALTITUDE SPECIFICATIONS

	STANDARD	HIGH ALTITUDE
Idle	1500 rpm	1500 rpm
Clutch Engagement	2500 rpm ± 100	3700 rpm ± 100
Shift speed	6900 rpm ± 100	6900 rpm ± 100
Main Jet	#155	See "Setting Chart"
Slow Jet	# 80	#90
Low Speed Mixture Screw	2.0 Turns	2.0 Turns
Reduction Ratio	17/29	15/29
Primary Spring	▲	Blu-Wht 90501-55388-00 Light Load/Cold Temp. 40 x 2.4 Red-Org 90501-55487-00 Heavy Load/High Temp. 50 x 2.0
Secondary Spring Twist	#3 Hole 210°	#4 Hole 240°
Primary Weight Rivets	#28 #3 Hole	As Needed To Achieve Proper Engine rpm

NOTE:

1. Pilot jets to be selected according to engine response.
2. To prevent fuel pump vapor lock in extremely warm conditions remove louver and air duct located in front of headlight.

MAIN JET SETTING CHART

Elevation	Temperature	-30°C	-20°C	-10°C	0°C	10°C	20°C
		(-22°F)	(-4°F)	(14°F)	(32°F)	(50°F)	(68°F)
Sea Level				#160			
600m (2000 ft.)		#165		#160			#155
1200m (4000 ft.)				#155			#155
1800m (6000 ft.)		#160		#150			#150
2400m (8000 ft.)		#155		#140			#145
3000m (10,000 ft.)		#145		#135			#135
		#140					#130

1981 SS440E ALTERNATE PARTS LIST

MAIN JET SIZE	PART NUMBER
#165	8A6-14516-65-00
#160	8A6-14516-60-00
#155	8A6-14516-55-00*
#150	8A6-14516-50-00
#145	8A6-14516-45-00
#140	8A6-14516-40-00
#135	8A6-14516-35-00
#130	8A6-14516-30-00
GEARING	PART NUMBER
17 T	878-17682-70-00*
15 T	878-17682-50-00
29 T	878-47548-90-00*
31 T	878-47587-00-00

PILOT JET SIZE	PART NUMBER
#100	8G6-14948-27-00
# 95	8G6-14948-25-00
# 90	8G6-14948-23-00
# 85	8G6-14948-21-00

*Standard