



YAMAHA

GENUINE

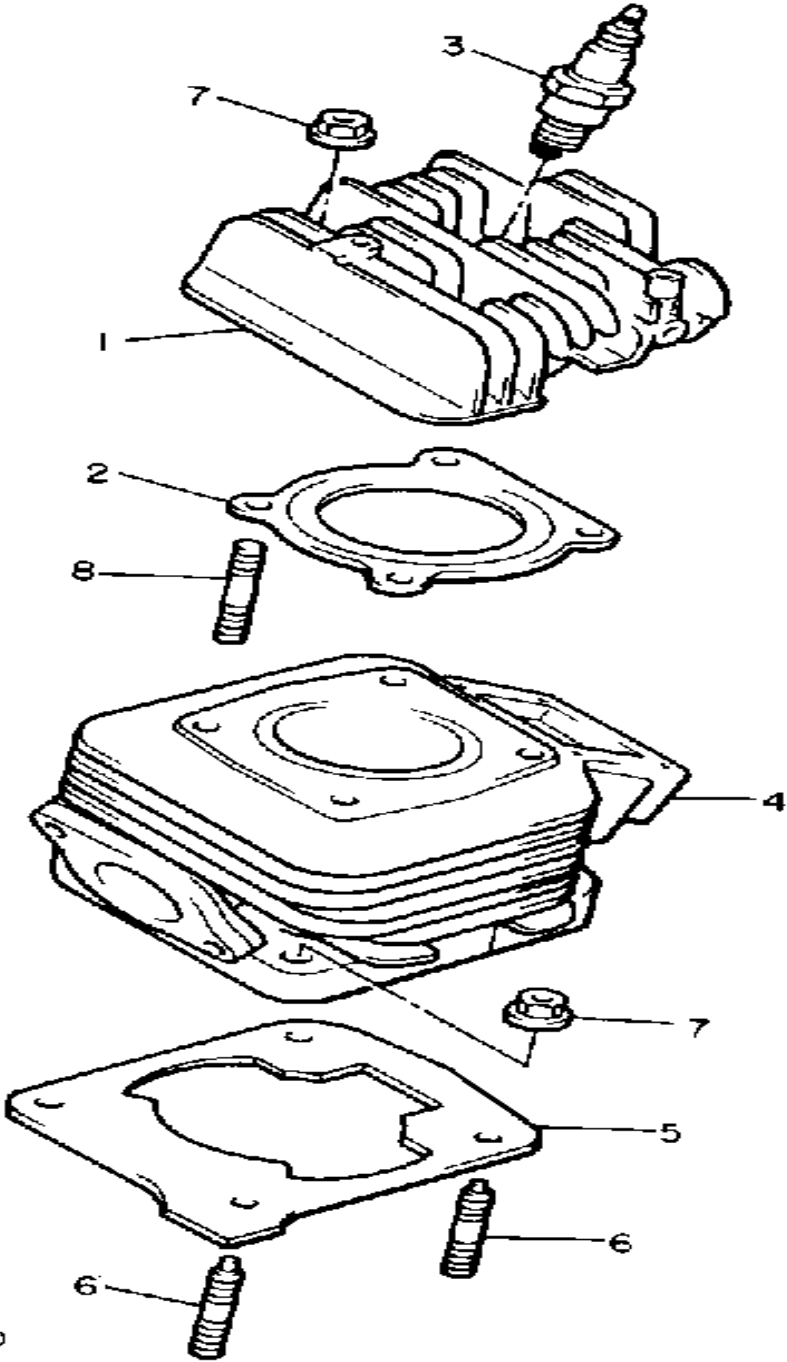
PARTS CATALOGUE

SNOWMOBILE

Not For Resale

www.SmallEngineDiscount.com

CYLINDER

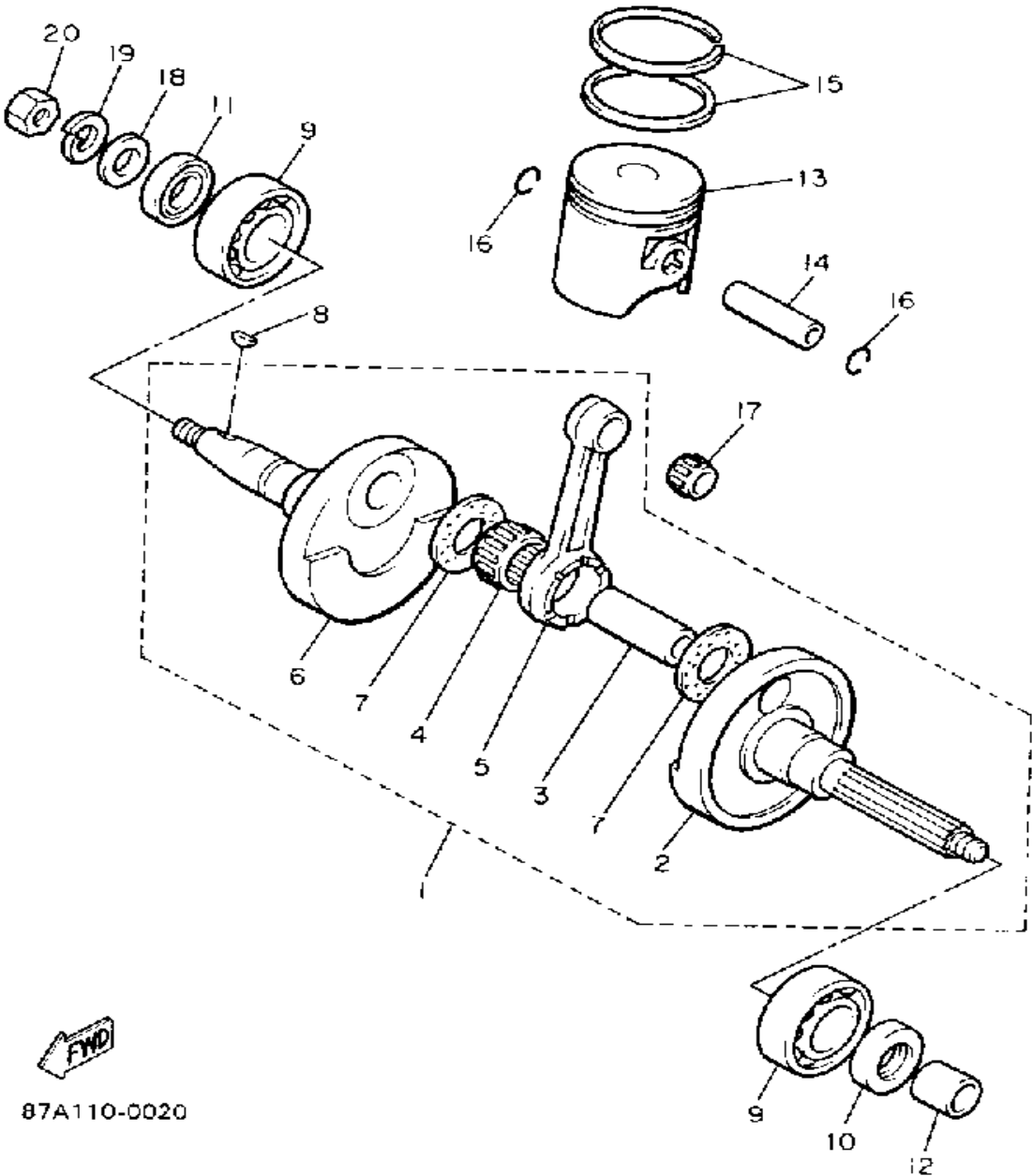


| Ref. No. | Part Number | Description | Qty | Remarks |
|----------|-----------------|-----------------------|-----|---------|
| 1 | 50W-11111-00-00 | HEAD, CYLINDER 1 | 1 | |
| 2 | 87A-11181-00-00 | GASKET, CYLINDER HEAD | 1 | |
| 3 | NGK-BR8HS-00-00 | PLUG, SPARK | 1 | |
| 4 | 87A-11311-00-00 | CYLINDER 1 | 1 | |
| 5 | 50W-11351-00-00 | GASKET, CYLINDER | 1 | |
| 6 | 90116-08318-00 | BOLT, STUD | 4 | |
| 7 | 90179-08491-00 | NUT, FLANGE | 8 | |
| 8 | 90116-08394-00 | BOLT, STUD | 4 | |

Not For Resale

www.SmallEngineDiscount.com

CRANKSHAFT - PISTON



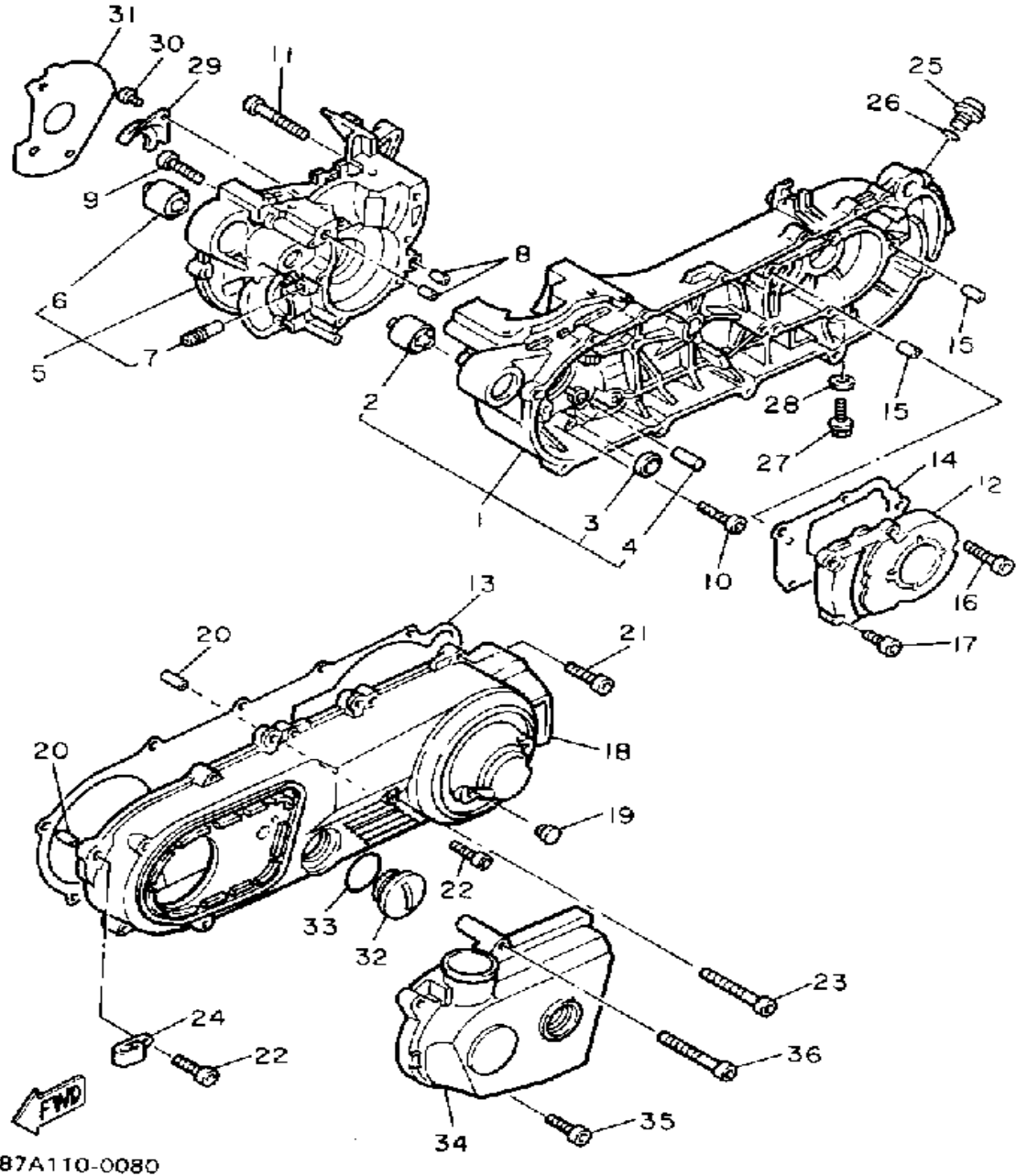
87A110-0020

| Ref. No. | Part Number | Description | Qty | Remarks |
|----------|-----------------|----------------------------------|-----|---------|
| 1 | 87A-11400-00-00 | CRANKSHAFT ASSEMBLY | 1 | |
| 2 | 87A-11412-00-00 | . CRANK 1 | 1 | |
| 3 | 50W-11681-00-00 | . PIN, CRANK 1 | 1 | |
| 4 | 93310-42012-00 | . BEARING, CYLINDER.# 0 | 1 | |
| 5 | 50W-11651-00-00 | . ROD, CONNECTING (787-11651-10) | 1 | |
| 6 | 87A-11422-00-00 | . CRANK 2 | 1 | |
| 7 | 90209-20159-00 | . WASHER | 2 | |
| 8 | 90280-03017-00 | KEY, WOODRUFF | 1 | |
| 9 | 93306-20529-00 | BEARING (B6205C4) | 2 | |
| 10 | 93102-22419-00 | OIL SEAL, SD-TYPE | 1 | |
| 11 | 93101-25152-00 | OIL SEAL, S-TYPE | 1 | |
| 12 | 90387-161W8-00 | COLLAR | 1 | |
| 13 | 50W-11631-00-00 | PISTON STD (STD) | 1 | |
| | 50W-11635-00-00 | PISTON 1 O/S 0.25 (0.25MM O/S) | 1 | |
| | 50W-11636-00-00 | PISTON 2 O/S 0.50 (0.50MM O/S) | 1 | |
| 14 | 50W-11633-00-00 | PIN, PISTON | 1 | |
| 15 | 18G-11601-00-00 | PISTON RINGSET (STD) | 1 | |
| | 18G-11601-10-00 | PISTON RINGSET (1ST O/S) | 1 | |
| | 18G-11601-20-00 | PISTON RINGSET (2ND O/S) | 1 | |
| 16 | 93450-15090-00 | CIRCLIP, INNER | 2 | |
| 17 | 93310-21403-00 | BEARING | 1 | |
| 18 | 92990-12600-00 | WASHER, PLATE | 1 | |
| 19 | 92901-12100-00 | WASHER, SPRING | 1 | |
| 20 | 90170-12181-00 | NUT | 1 | |

Not For Resale

www.SmallEngineDiscount.com

CRANKCASE

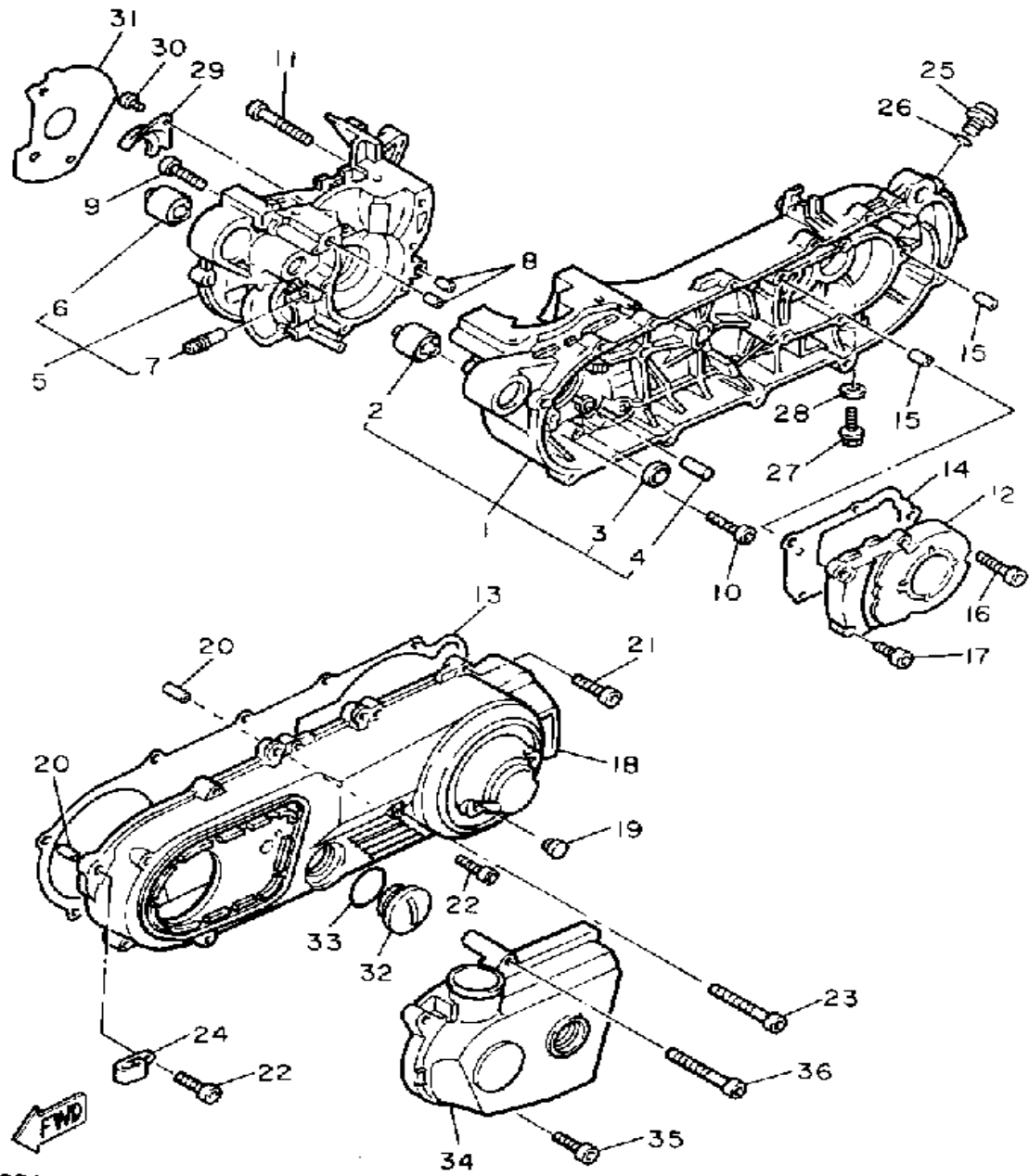


| Ref. No. | Part Number | Description | Qty | Remarks |
|----------|-----------------|---------------------------|-----|---------|
| 1 | 87A-15110-00-00 | CRANKCASE ASSEMBLY 1 | 1 | |
| 2 | 87A-15316-00-00 | . DAMPER, ENG MOUNT 1 | 1 | |
| 3 | 90338-26136-00 | . PLUG | 1 | |
| 4 | 50M-13342-00-00 | . SHAFT, IDLE GEAR | 1 | |
| 5 | 87A-15120-00-00 | CRANKCASE ASSEMBLY 2 | 1 | |
| 6 | 87A-15316-00-00 | . DAMPER, ENG MOUNT 1 | 1 | |
| 7 | J38-11116-00-00 | . JOINT, BREATHER | 1 | |
| 8 | 99510-12016-00 | PIN, DOWEL | 2 | |
| 9 | 91316-06035-00 | BOLT | 3 | |
| 10 | 90110-06138-00 | BOLT, HEX SKT HEAD | 1 | |
| 11 | 91316-06060-00 | BOLT | 2 | |
| 12 | 50W-15421-00-00 | COVER, CRANKCASE 2 | 1 | |
| 13 | 87A-15451-00-00 | GASKET, CRCS COVERCOVER 1 | 1 | |
| 14 | 87A-15461-00-00 | GASKET, CRCS CVR 2COVER 2 | 1 | |
| 15 | 99530-10014-00 | PIN, DOWEL | 2 | |
| 16 | 95023-06035-00 | BOLT, FLANGE | 2 | |
| 17 | 95023-06020-00 | BOLT, FLANGE | 3 | |
| 18 | 87A-15411-00-00 | COVER, CRANKCASE L | 1 | |
| 19 | 90338-12192-00 | PLUG | 2 | |
| 20 | 99530-10014-00 | PIN, DOWEL | 2 | |
| 21 | 91316-06025-00 | BOLT | 7 | |
| 22 | 91316-06035-00 | BOLT | 2 | |
| 23 | 91316-06070-00 | BOLT, SOCKET HEAD | 1 | |
| 24 | 90465-06332-00 | CLAMP | 1 | |
| 25 | 4J2-15363-00-00 | PLUG, OIL | 1 | |
| 26 | 93210-14104-00 | O-RING | 1 | |
| 27 | 95811-08016-00 | BOLT, FLANGE | 1 | |

CONTINUED ON NEXT FRAME ►

Not For Resale
www.SmallEngineDiscount.com

CRANKCASE



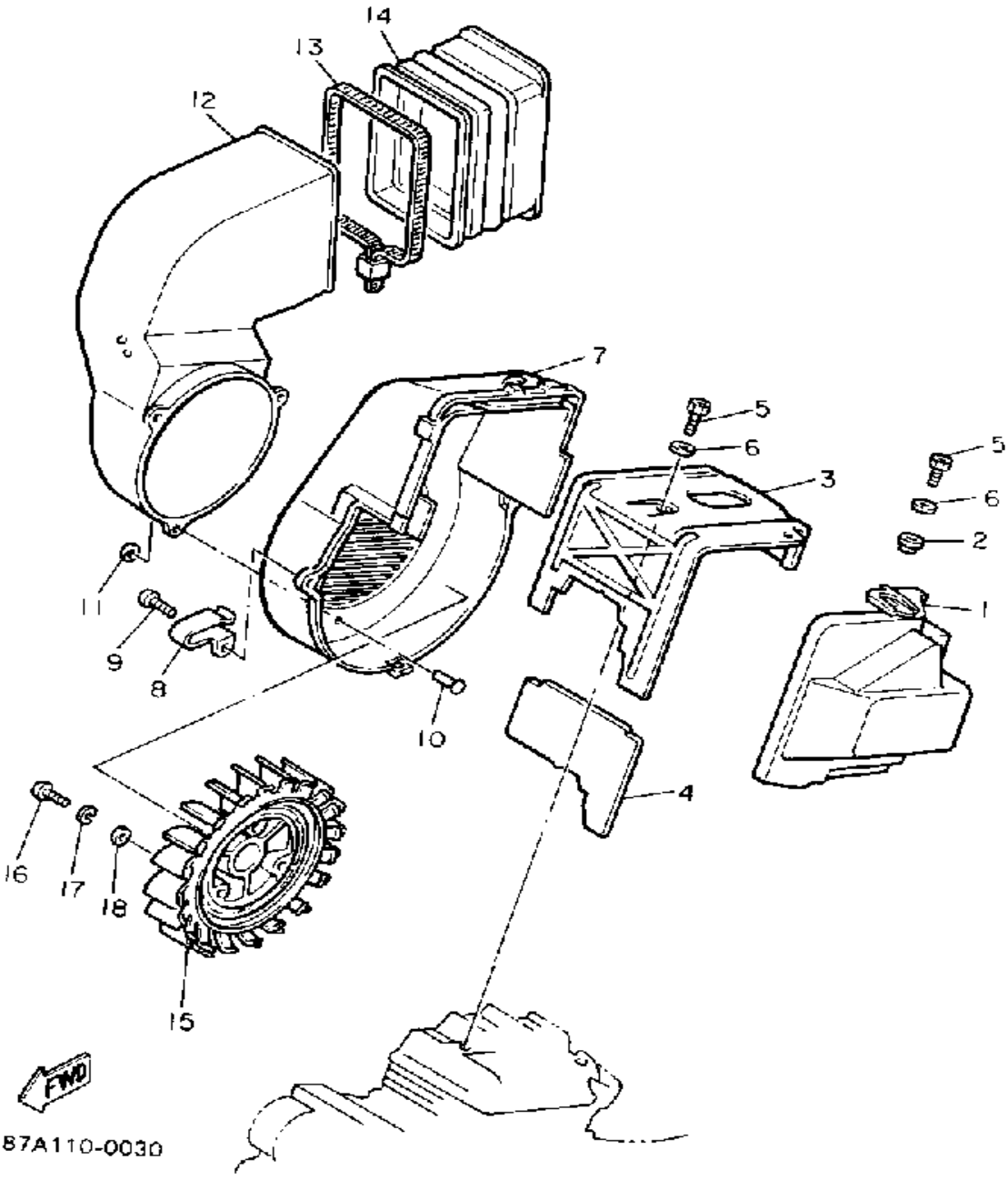
87A110-0080

| Ref. No. | Part Number | Description | Qty | Remarks |
|----------|-----------------|---------------------------------|-----|---------|
| 28 | 90201-08087-00 | WASHER, PLATE | 1 | |
| 29 | 50W-15128-00-00 | HOLDER | 1 | |
| 30 | 90157-06077-00 | SCREW, PAN HEAD | 1 | |
| 31 | 87A-15462-00-00 | GASKET, CRCS CVR 3COVER 3 | 1 | |
| 32 | 90340-36078-00 | PLUG, STRAIGHT SCREW | 1 | |
| 33 | 93210-36510-00 | O-RING | 1 | |
| 34 | 87A-W1543-01-00 | CRKCASE COVER ASSEMBLY | 1 | |
| 35 | 91316-06020-00 | BOLT, SOCKET HEAD | 2 | |
| 36 | 91316-06070-00 | BOLT, SOCKET HEAD | 1 | |

Not For Resale

www.SmallEngineDiscount.com

AIR SHROUD - FAN

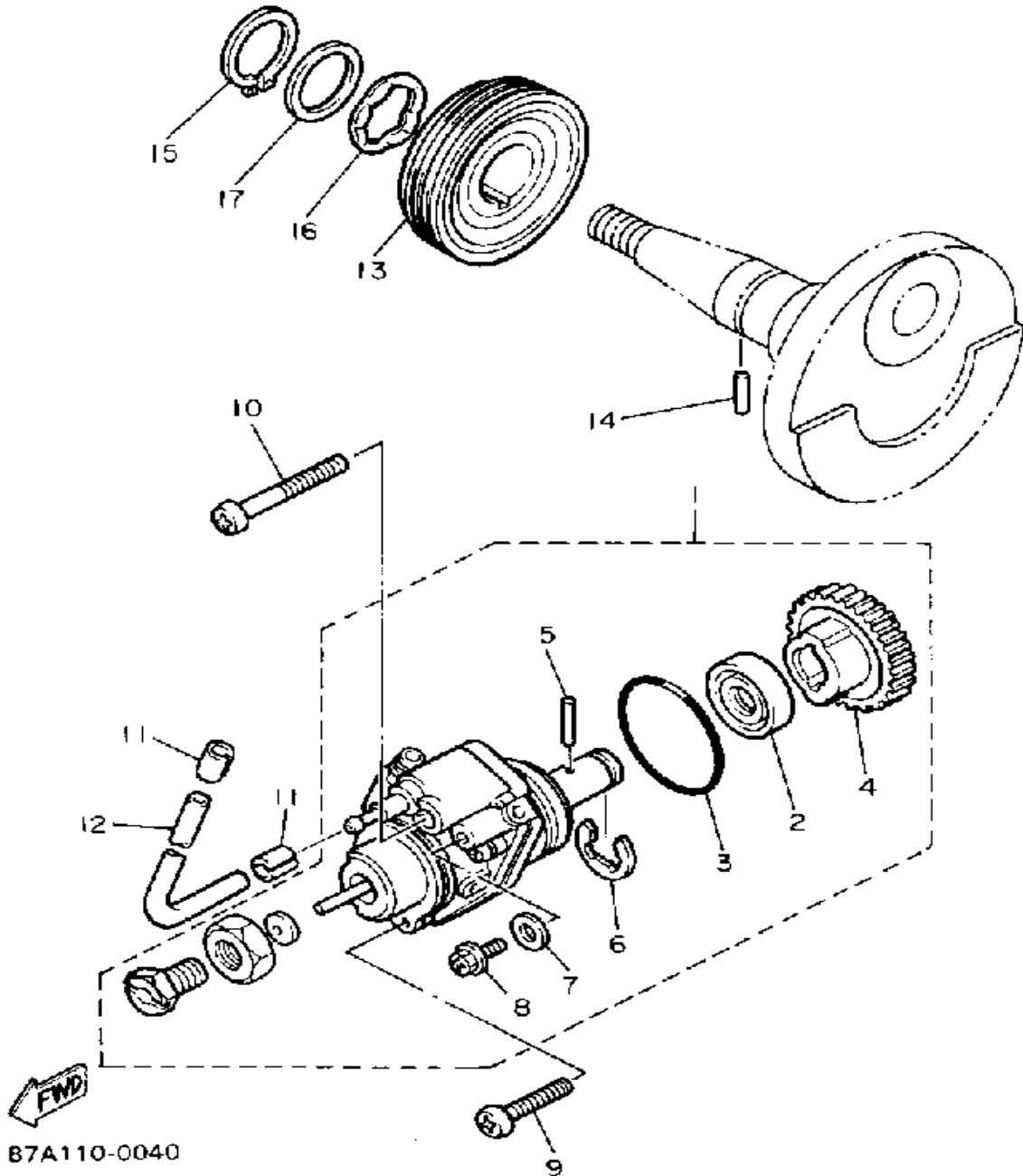


| Ref. No. | Part Number | Description | Qty | Remarks |
|----------|------------------|----------------------------|-----|---------|
| 1 | 87A-12651-00-00 | AIR SHROUD, CYLINDER 1 ... | 1 | |
| 2 | 90387-062M9-00 | COLLAR | 1 | |
| 3 | 50W-12652-00-00 | AIR SHROUD, CYLINDER 2 ... | 1 | |
| 4 | 50W-11162-00-00 | ABSORBER 2 | 1 | |
| 5 | 97313-06016-00 | BOLT, HEXAGON | 2 | |
| 6 | 92901-06600-00 | WASHER | 2 | |
| 7 | 87A-12653-00-00 | AIR SHROUD, CYLINDER 3 ... | 1 | |
| 8 | (90465-10164-00) | CLAMP | 1 | |
| 9 | 98580-06020-00 | SCREW | 2 | |
| 10 | 90267-48081-00 | RIVET, BLIND | 3 | |
| 11 | 90201-057H5-00 | WASHER, PLATE | 3 | |
| 12 | 87A-12693-00-00 | DUCT 3 | 1 | |
| 13 | 90464-12123-00 | CLAMP | 1 | |
| 14 | 87A-12695-00-00 | JOINT 1 | 1 | |
| 15 | 50W-12611-00-00 | FAN | 1 | |
| 16 | 98580-06018-00 | SCREW, PAN HEAD | 3 | |
| 17 | 92995-06100-00 | WASHER, SPRING | 3 | |
| 18 | 92901-06600-00 | WASHER | 3 | |

Not For Resale

www.SmallEngineDiscount.com

OIL PUMP

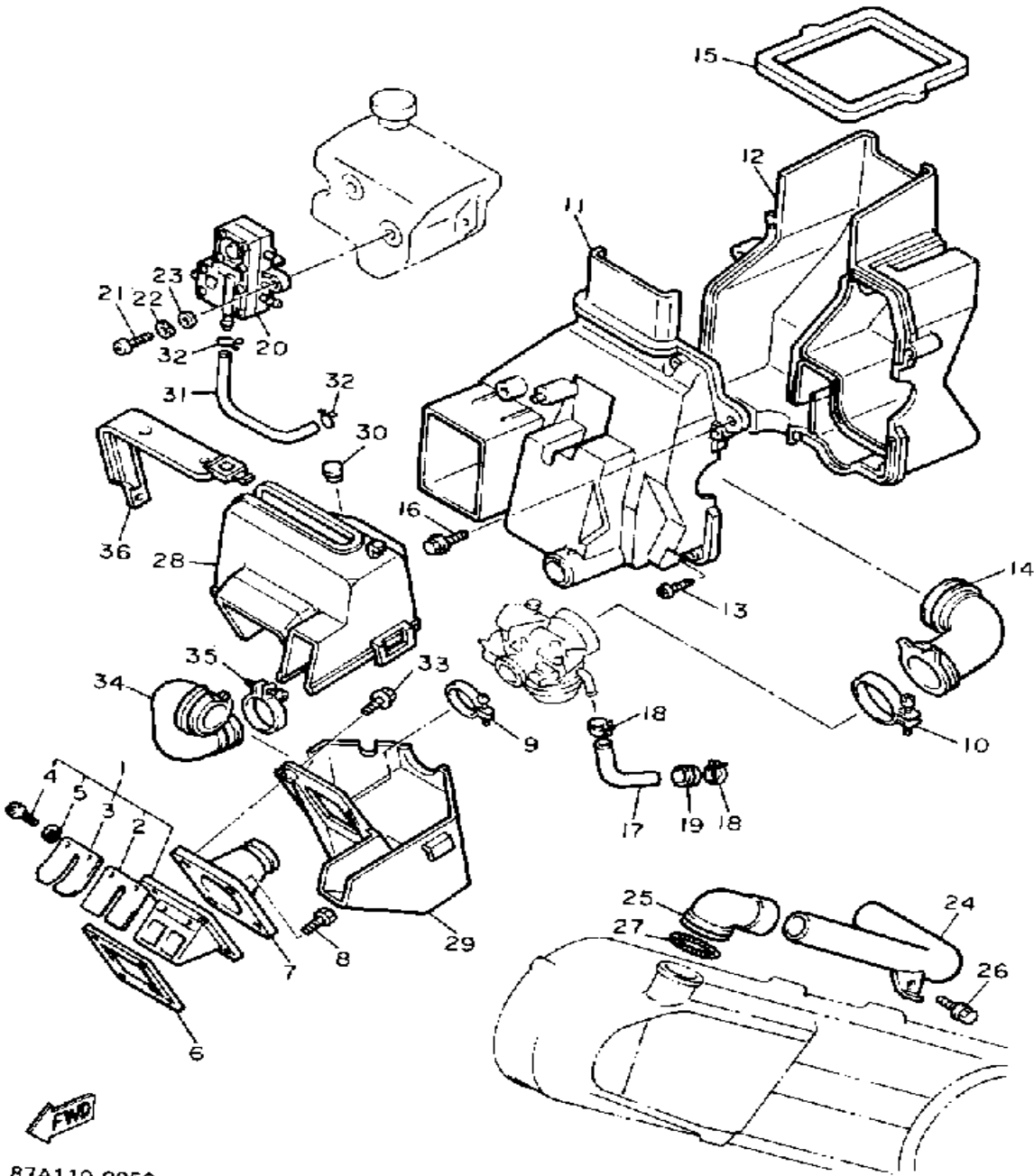


| Ref. No. | Part Number | Description | Qty | Remarks |
|----------|-----------------|--------------------|-----|---------|
| 1 | 87A-13101-00-00 | OIL PUMP ASSEMBLY | 1 | |
| 2 | 93101-10090-00 | . OIL SEAL | 1 | |
| 3 | 93210-26240-00 | . O-RING | 1 | |
| 4 | 296-13124-00-00 | . GEAR, WORM WHEEL | 1 | |
| 5 | 91690-30014-00 | . PIN, SPRING | 1 | |
| 6 | 99080-07600-00 | . CIRCLIP (E) | 1 | |
| 7 | 90430-04004-00 | . GASKET | 1 | |
| 8 | 90149-04135-00 | . SCREW | 1 | |
| 9 | 98511-05020-00 | SCREW, PAN HEAD | 1 | |
| 10 | 98501-05035-00 | SCREW, PAN HEAD | 1 | |
| 11 | 90468-02025-00 | CLIP | 2 | |
| 12 | 90446-08301-00 | HOSE | 1 | |
| 13 | 50W-13178-00-00 | GEAR, PUMP DRIVE | 1 | |
| 14 | 93603-12007-00 | PIN, DOWEL | 1 | |
| 15 | 99009-19400-00 | CIRCLIP | 1 | |
| 16 | 90206-19027-00 | WASHER, WAVE | 1 | |
| 17 | 296-15644-00-00 | SHIM | 1 | |

Not For Resale

www.SmallEngineDiscount.com

AIR CLEANER



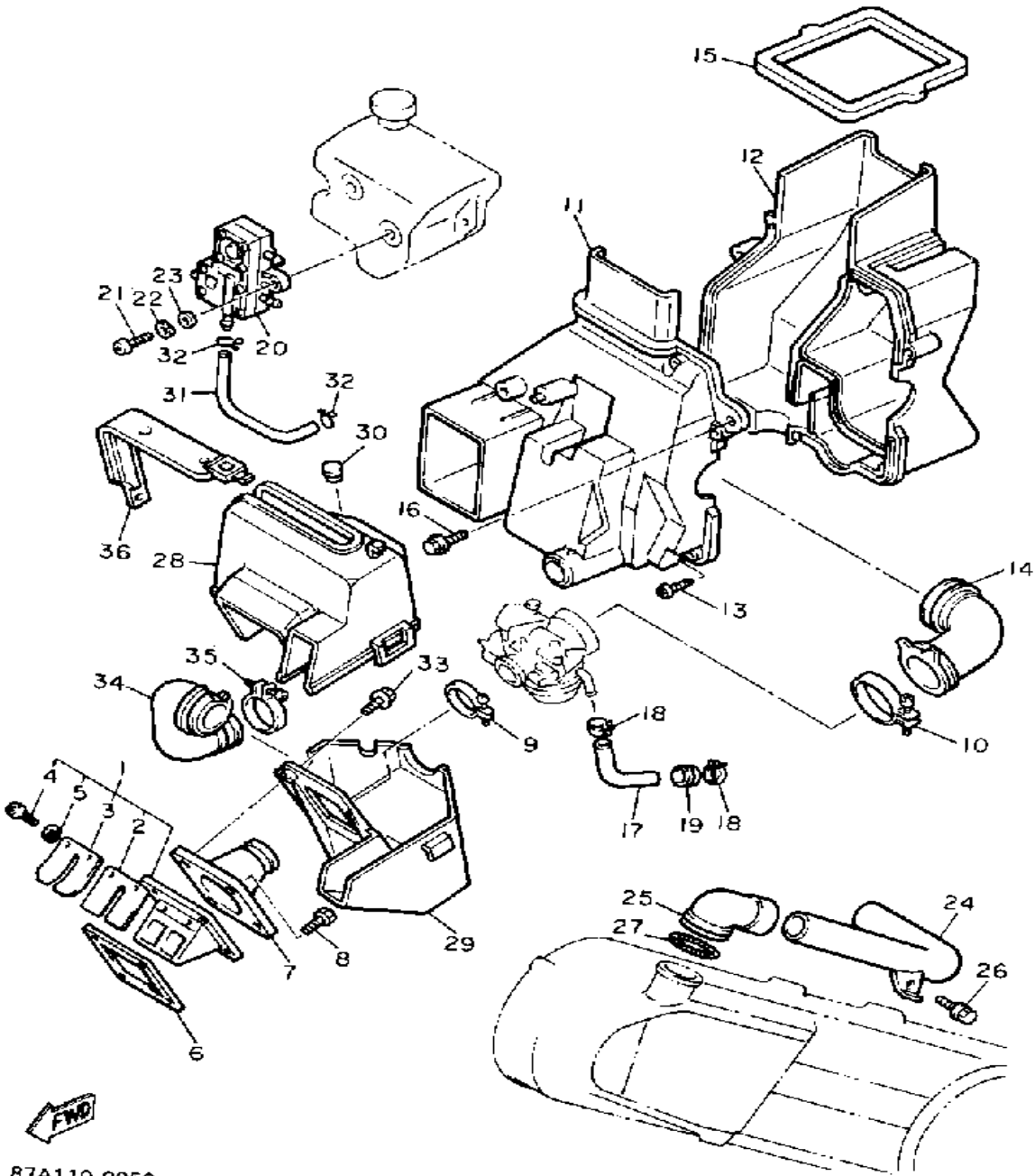
87A110-0050

| Ref. No. | Part Number | Description | Qty | Remarks |
|----------|-----------------|--------------------------------|-----|---------|
| 1 | 558-13610-00-00 | REED VALVE ASSEMBLY | 1 | |
| 2 | 345-13613-70-00 | . REED, VALVE | 2 | |
| 3 | 345-13616-70-00 | . STOPPER, REED VALVE | 2 | |
| 4 | 98580-03008-00 | . SCREW, PAN HEAD | 4 | |
| 5 | 92990-03100-00 | . WASHER, SPRING (92901-03100) | 4 | |
| 6 | 87A-13621-00-00 | GASKET, VALVE SEAT | 1 | |
| 7 | 87A-13555-00-00 | MANIFOLD, INTAKE | 1 | |
| 8 | 91316-06020-00 | BOLT, SOCKET HEAD | 2 | |
| 9 | 90460-39052-00 | CLAMP, HOSE | 1 | |
| 10 | 90460-56105-00 | CLAMP, HOSE | 1 | |
| 11 | 87A-14431-00-00 | SILENCER, INTAKE 1 | 1 | |
| 12 | 87A-14441-00-00 | SILENCER, INTAKE 2 | 1 | |
| 13 | 97780-50125-00 | SCREW, TAPPING | 5 | |
| 14 | 87A-14453-00-00 | JOINT, AIR CLNR 1 | 1 | |
| 15 | 87A-14452-00-00 | SEAL | 1 | |
| 16 | 95811-06016-00 | BOLT, FLANGE (95822-06016) | 2 | |
| 17 | 90446-11247-00 | HOSE | 1 | |
| 18 | 90467-11044-00 | CLIP | 2 | |
| 19 | 90480-15257-00 | GROMMET | 1 | |
| 20 | 87A-24410-00-00 | FUEL PUMP ASSEMBLY | 1 | |
| 21 | 98580-06020-00 | SCREW | 2 | |
| 22 | 92995-06100-00 | WASHER, SPRING | 2 | |
| 23 | 92990-06600-00 | WASHER, PLATE | 2 | |
| 24 | 87A-14463-00-00 | JOINT, AIR CLNR 2 | 1 | |
| 25 | 87A-14485-00-00 | PIPE, JOINT | 2 | |
| 26 | 95816-06012-00 | BOLT, FLANGE | 1 | |
| 27 | 90506-06326-00 | SPRING, TENSION | 2 | |
| 28 | 87A-14283-00-00 | COVER, CARBURETOR | 1 | |

CONTINUED ON NEXT FRAME ►

Not For Resale
www.SmallEngineDiscount.com

AIR CLEANER

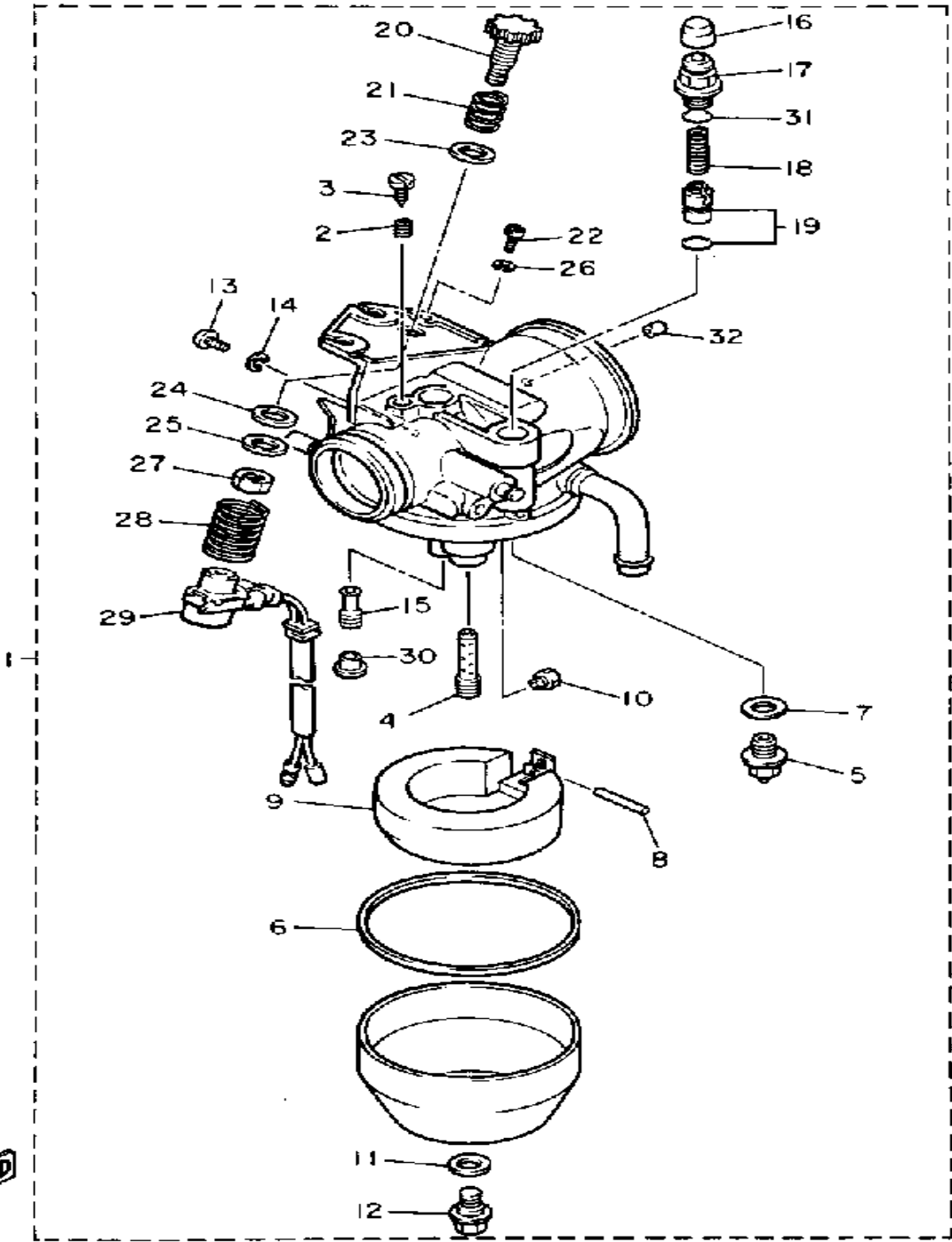


| Ref. No. | Part Number | Description | Qty | Remarks |
|----------|-----------------|---------------------|-----|---------|
| 29 | 87A-14284-00-00 | COVER, CARBURETOR 2 | 1 | |
| 30 | 90338-10132-00 | PLUG | 1 | |
| 31 | 90445-10144-00 | HOSE | 1 | |
| 32 | 90467-09006-00 | CLIP | 2 | |
| 33 | 95811-06035-00 | BOLT, FLANGE | 2 | |
| 34 | 87A-14437-00-00 | DUCT | 1 | |
| 35 | 90460-39052-00 | CLAMP, HOSE | 1 | |
| 36 | 87A-14435-00-00 | GROMMET | 1 | |

Not For Resale

www.SmallEngineDiscount.com

CARBURETOR



87A110-0060

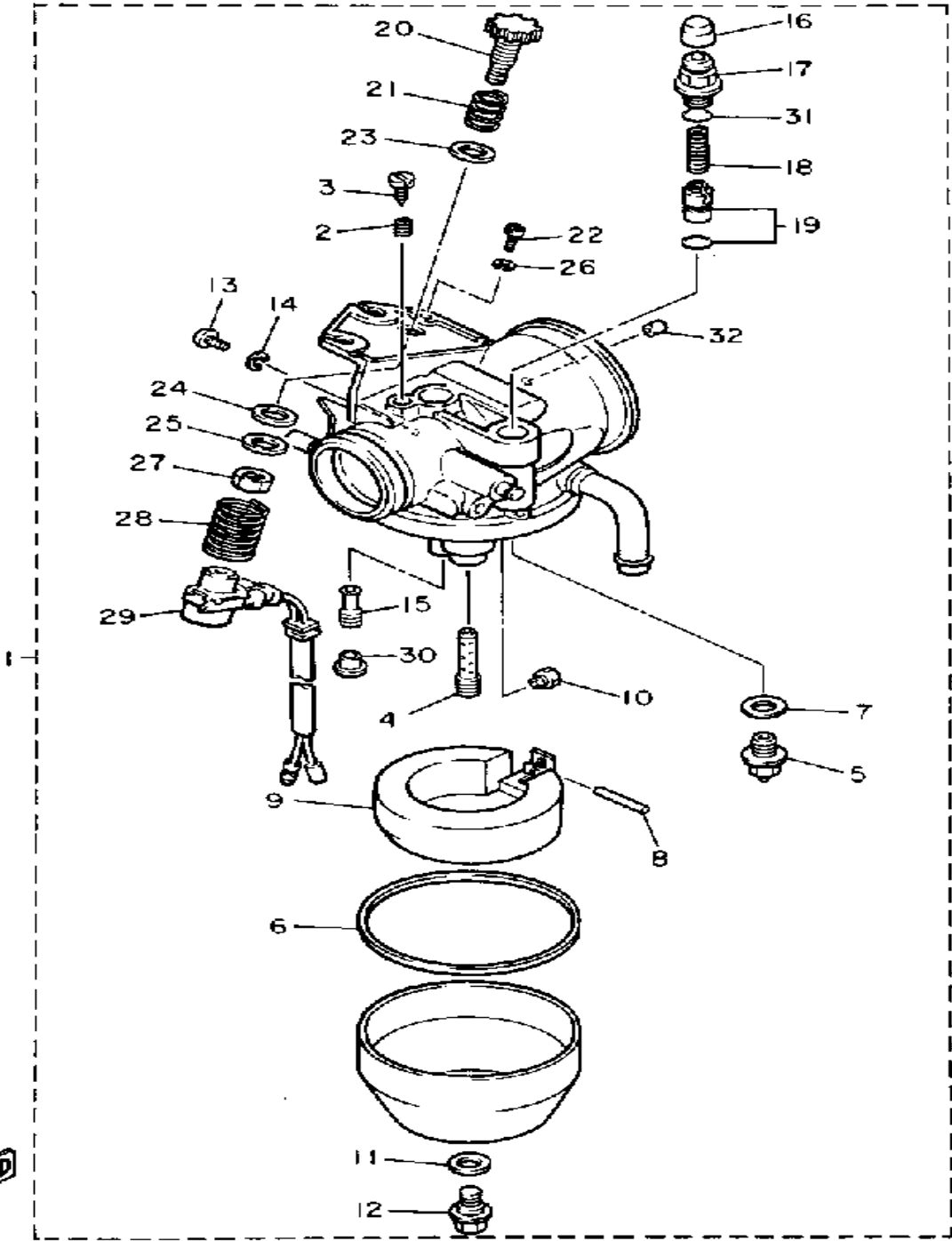
| Ref. No. | Part Number | Description | Qty | Remarks |
|----------|-----------------|---------------------------------|-----|---------|
| 1 | 87A-14101-00-00 | CARBURETOR ASSEMBLY 1 | 1 | |
| 2 | 8Y2-14134-00-00 | . SPRING, AIR ADJUST | 1 | |
| 3 | 75G-14211-00-00 | . SCREW, PILOT ADJUSTING | 1 | |
| 4 | 87A-1495A-1B-00 | . MAIN, NOZZLE | 1 | |
| 5 | 168-14190-10-00 | . NEEDLE VALVE ASSEMBLY | 1 | |
| 6 | 85G-14126-00-00 | . GASKET | 1 | |
| 7 | 214-14195-00-00 | . WASHER, NEEDLE VALVE | 1 | |
| 8 | 7G0-14548-00-00 | . PIN, FLOAT ARM | 1 | |
| 9 | 85G-14185-01-00 | . FLOAT | 1 | |
| 10 | 3G2-14231-17-00 | . JET, MAIN #85 (# 85) | 1 | AP |
| | 3G2-14231-18-00 | . JET, MAIN (# 90) | 1 | AP |
| | 3G2-14231-19-00 | . JET, POWER (# 95) | 1 | AP |
| | 3G2-14231-20-00 | . JET, PILOT AIR (#100) | 1 | AP |
| | 3G2-1423A-68-00 | . JET, MAIN 87.5 (# 87.5) | 1 | |
| | 3G2-1423A-69-00 | . JET, MAIN 92 5 | 1 | |
| | 3G2-1423A-70-00 | . JET, MAIN 97 5 | 1 | |
| 11 | 256-14956-01-00 | . WASHER | 1 | |
| 12 | 7R1-14162-00-00 | . BOLT, HOLDING | 1 | |
| 13 | 98511-04006-00 | . SCREW, PAN HEAD (98501-04005) | 1 | |
| 14 | 92901-04100-00 | . WASHER, SPRING | 1 | |
| 15 | 193-14142-52-00 | . JET, PILOT #52.5 (# 52.5) | 1 | |
| | 193-14142-55-00 | . JET, PILOT #55 (# 55) | 1 | UR STD |
| 16 | 22F-14173-00-00 | . COVER, PLUNGER CAP | 1 | |
| 17 | 85G-14155-10-00 | . GUIDE, CABLE | 1 | |
| 18 | 127-14135-00-00 | . SPRING, PLUNGER | 1 | |
| 19 | 5V7-14171-00-00 | . PLUNGER, STARTER | 1 | |
| 20 | 85G-14122-00-00 | . SCREW, THROTTLE | 1 | |
| 21 | 354-14133-00-00 | . SPRING, THRTL STOP | 1 | |

CONTINUED ON NEXT FRAME ►

Not For Resale
www.SmallEngineDiscount.com

CARBURETOR

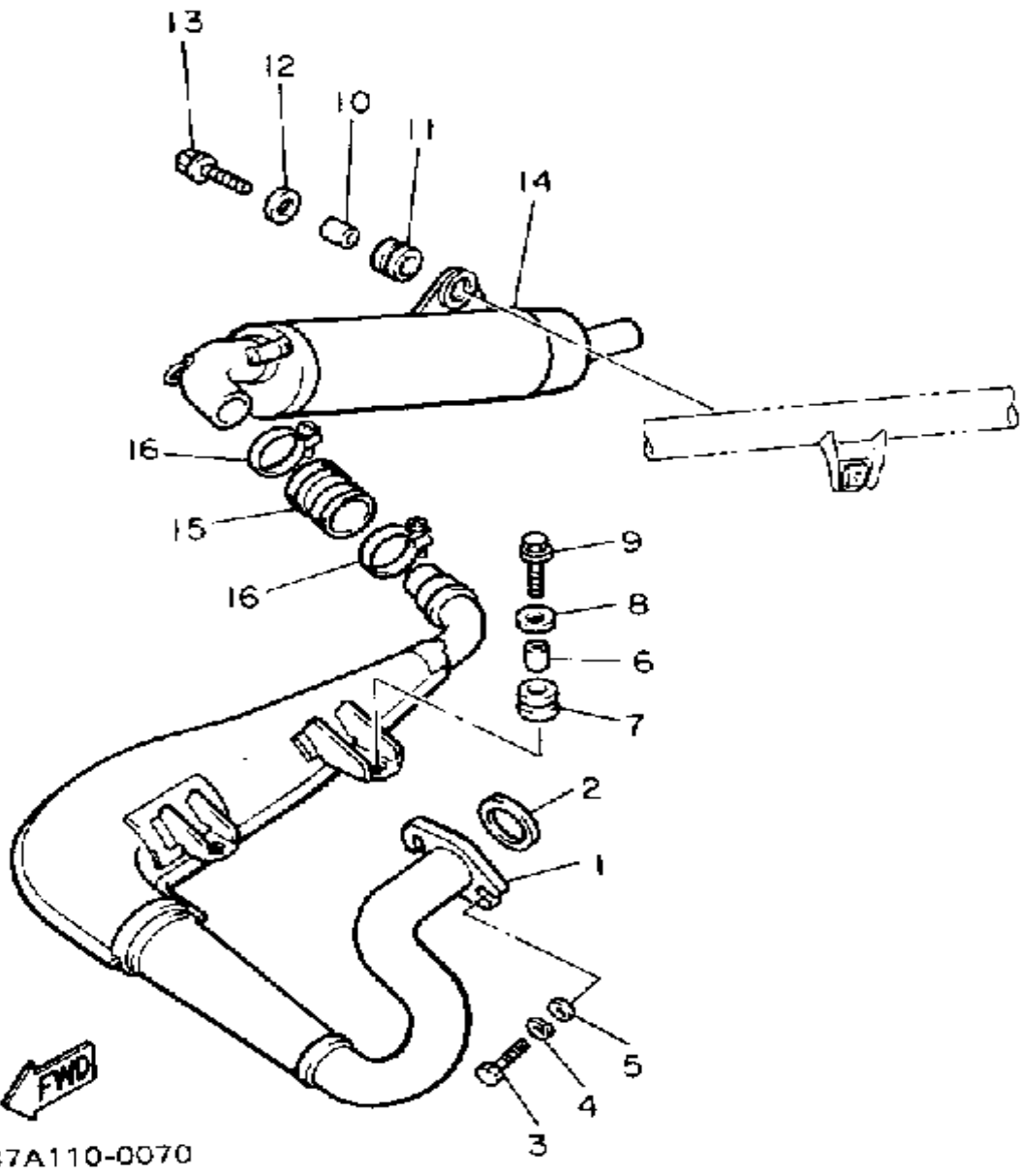
| Ref. No. | Part Number | Description | Qty | Remarks |
|----------|-----------------|--------------------------------|-----|---------|
| 22 | 85G-14245-00-00 | . SCREW, GUIDE | 1 | |
| 23 | 22F-14126-00-00 | . GASKET | 1 | |
| 24 | 22F-14117-00-00 | . WASHER, PLUG SCREW | 1 | |
| 25 | 1UF-14952-00-00 | . WASHER | 1 | |
| 26 | 92901-04100-00 | . WASHER, SPRING | 1 | |
| 27 | 8X0-14358-00-00 | . NUT | 1 | |
| 28 | 8X0-14133-00-00 | . SPRING, THROTTLE STOP .. | 1 | |
| 29 | 87A-8259A-00-00 | . SWITCH, CARBURETOR | 1 | |
| 30 | 85G-14118-00-00 | . CAP | 1 | |
| 31 | 1FN-14147-00-00 | . O-RING | 1 | |
| 32 | 87A-14172-10-00 | . MAIN AIR JET 1.0 (1.0) | 1 | |
| | 87A-14172-19-00 | . MAIN AIR JET 1.9 (1.9) | 1 | |



87A110-0060

Not For Resale
www.SmallEngineDiscount.com

EXHAUST

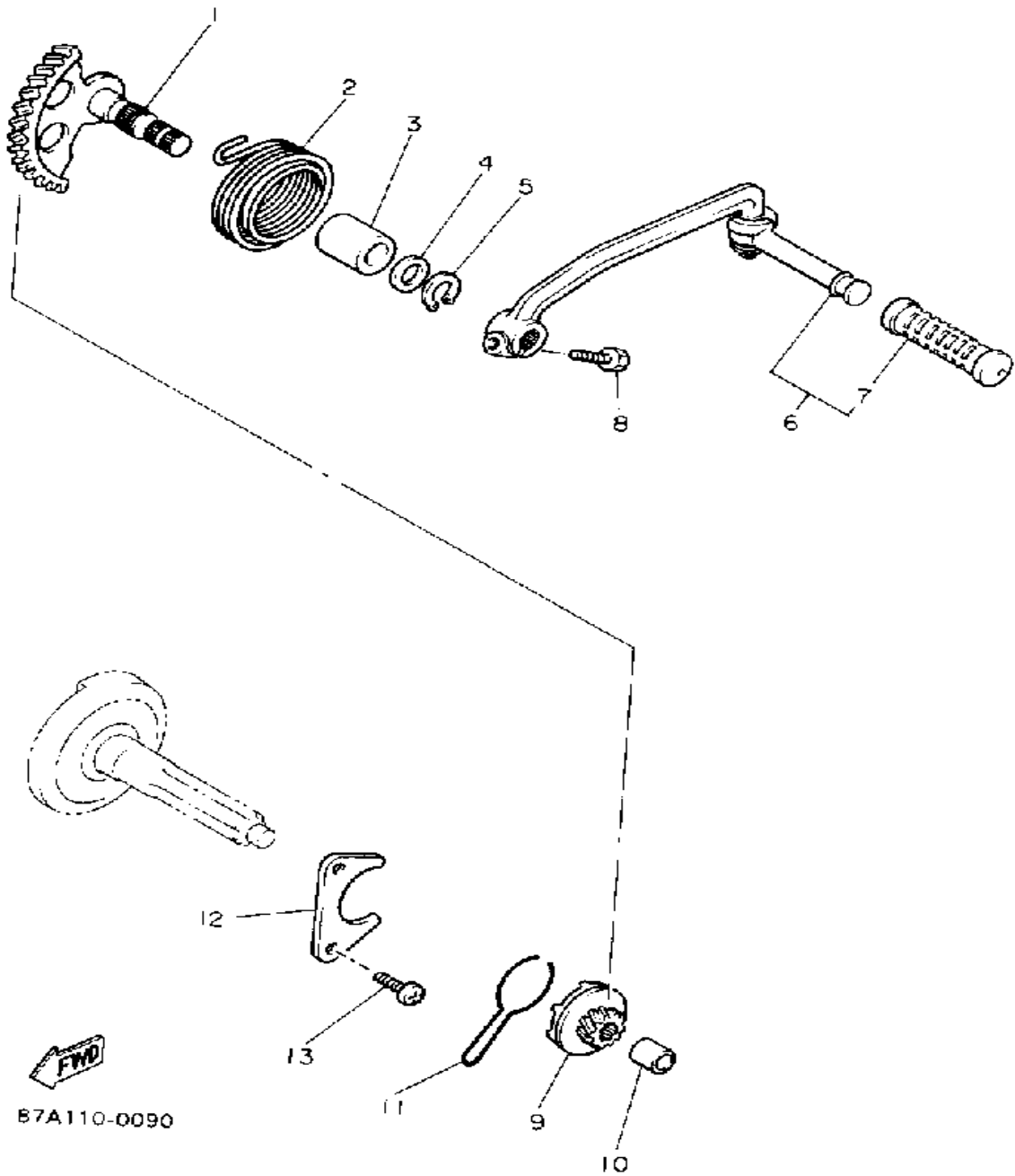


| Ref. No. | Part Number | Description | Qty | Remarks |
|----------|-----------------|-----------------------------|-----|---------|
| 1 | 87A-14610-00-00 | EXHAUST PIPE ASSEMBLY L . | 1 | |
| 2 | 87A-14613-00-00 | GASKET, EXST PIPE | 1 | |
| 3 | 97016-08020-00 | BOLT | 2 | |
| 4 | 92906-08100-00 | WASHER, SPRING | 2 | |
| 5 | 92906-08600-00 | WASHER | 2 | |
| 6 | 90387-106W3-00 | COLLAR | 2 | |
| 7 | 90480-20527-00 | GROMMET | 2 | |
| 8 | 90201-087H3-00 | WASHER, PLATE | 2 | |
| 9 | 95816-08025-00 | BOLT, FLANGE | 2 | |
| 10 | 90387-085G3-00 | COLLAR | 1 | |
| 11 | 90480-18411-00 | GROMMET | 1 | |
| 12 | 90201-087H3-00 | WASHER, PLATE | 1 | |
| 13 | 95816-08025-00 | BOLT, FLANGE | 1 | |
| 14 | 87A-14753-00-00 | SILENCER, EXHAUST | 1 | |
| 15 | 1W2-14714-00-00 | GASKET, MUFFLER | 1 | |
| 16 | 90460-37026-00 | CLAMP, HOSE | 2 | |

Not For Resale

www.SmallEngineDiscount.com

STARTER

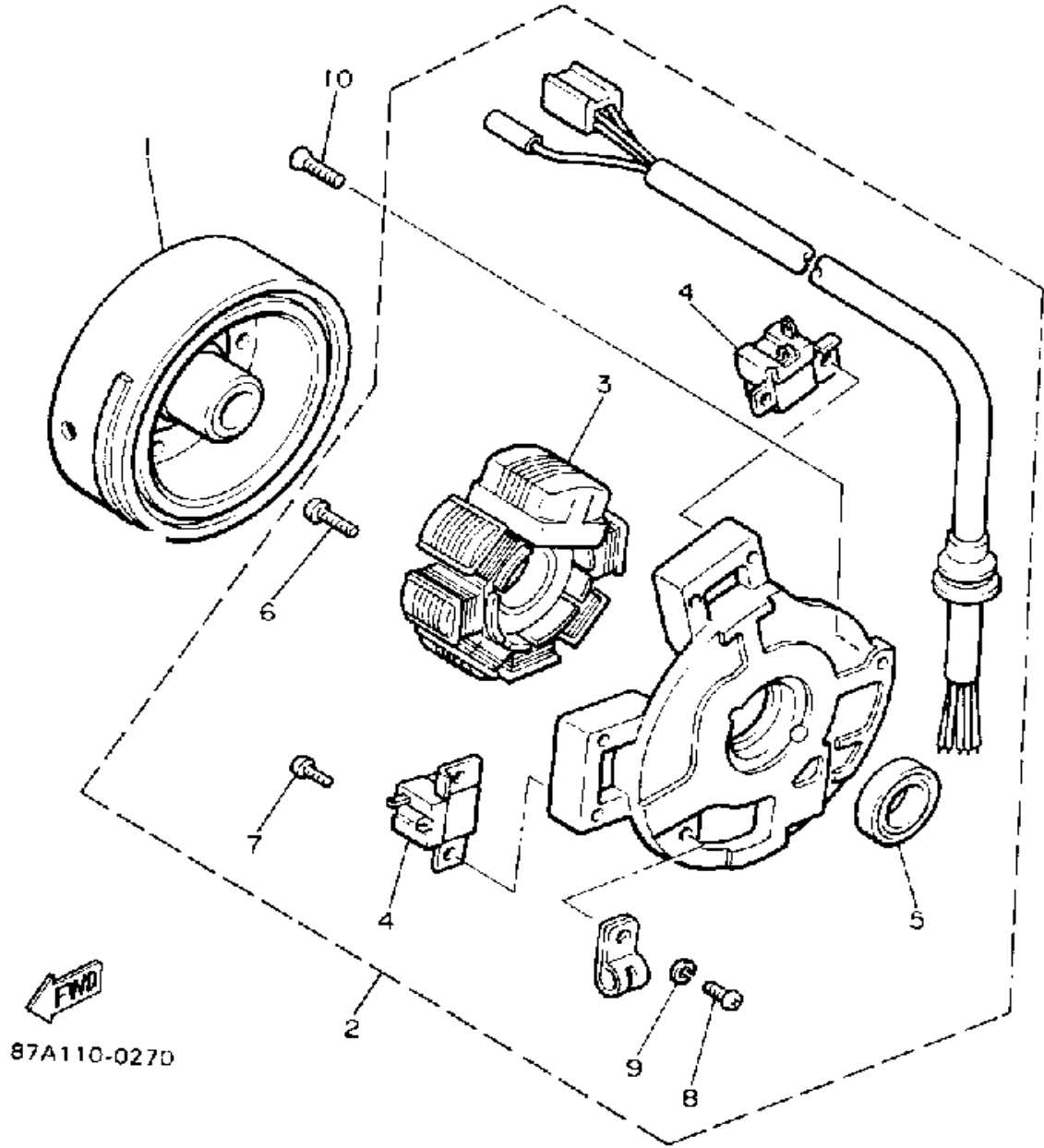


| Ref. No. | Part Number | Description | Qty | Remarks |
|----------|-----------------|----------------------|-----|---------|
| 1 | 87A-15601-00-00 | KICK SHAFT ASSEMBLY | 1 | |
| 2 | 90508-32768-00 | SPRING, TORSION | 1 | |
| 3 | 90380-15083-00 | BUSH, SOLID | 1 | |
| 4 | 90201-154E9-00 | WASHER, PLATE | 1 | |
| 5 | 99009-15400-00 | CIRCLIP | 1 | |
| 6 | 87A-15620-00-00 | KICK CRANK ASSEMBLY | 1 | |
| 7 | 2T4-15618-00-00 | . COVER, KICK LEVER | 1 | |
| 8 | 97016-06025-00 | BOLT | 1 | |
| 9 | 87A-15630-00-00 | KICK PINION ASSEMBLY | 1 | |
| 10 | 90380-08201-00 | BUSH, SOLID | 1 | |
| 11 | 87A-15673-00-00 | CLIP | 1 | |
| 12 | 87A-15544-00-00 | STAY 1 | 1 | |
| 13 | 98580-06012-00 | SCREW, PAN HEAD | 2 | |

Not For Resale

www.SmallEngineDiscount.com

GENERATOR



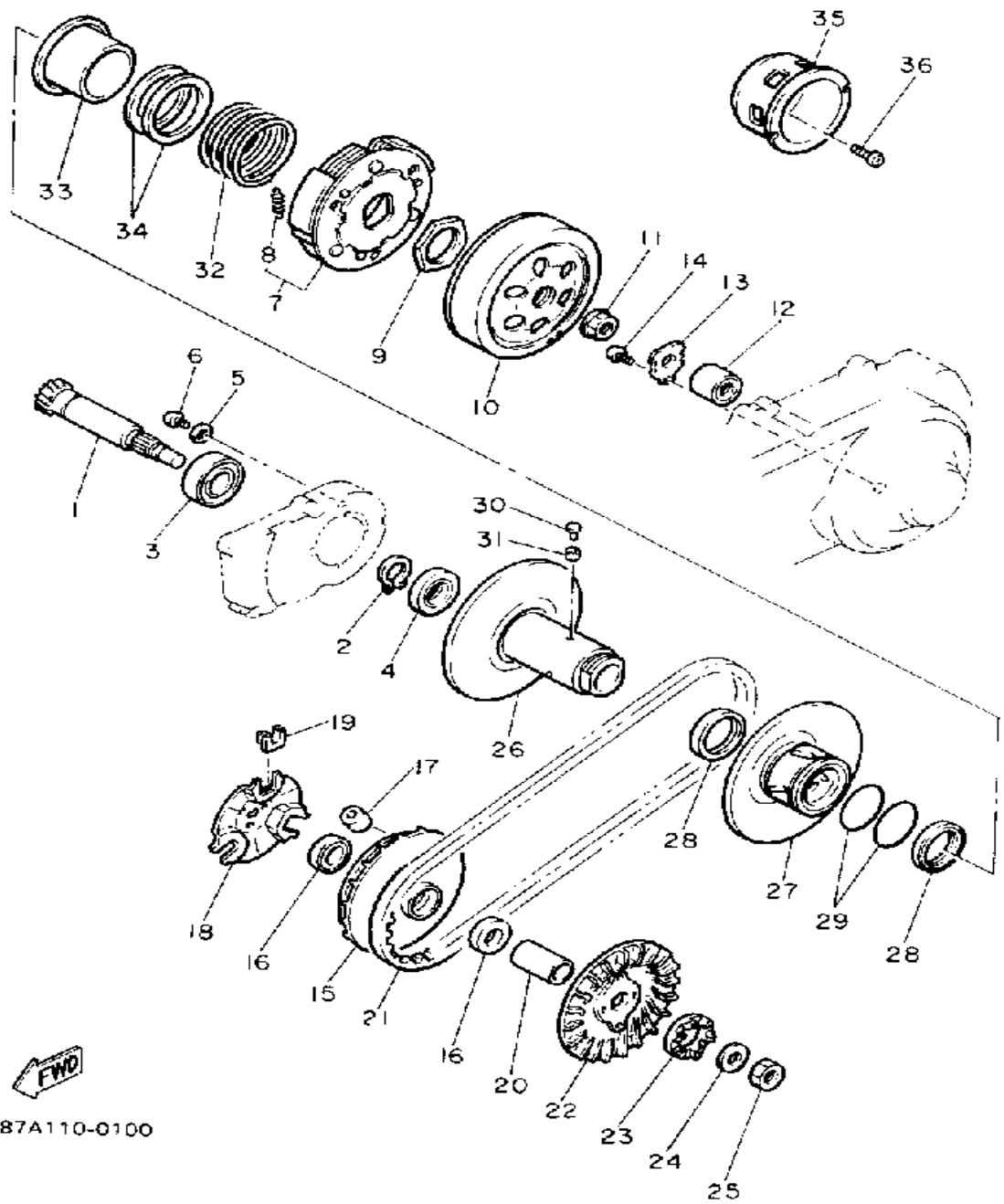
87A110-027D

| Ref. No. | Part Number | Description | Qty | Remarks |
|----------|-----------------|------------------------------------|-----|---------|
| 1 | 87A-85550-00-00 | ROTOR ASSEMBLY | 1 | |
| 2 | 87A-85560-00-00 | BASE ASSEMBLY | 1 | |
| 3 | 85G-81403-M1-00 | . STATOR | 1 | |
| 4 | 2JA-85580-M0-00 | . COIL, PULSER | 2 | |
| 5 | 93104-19082-00 | . OIL SEAL, SO-TYPE | 1 | |
| 6 | 98511-05025-00 | . SCREW, PAN HEAD | 2 | |
| 7 | 98580-05010-00 | . SCREW, PAN HEAD | 4 | |
| 8 | 98511-04006-00 | . SCREW, PAN HEAD (98501-04005) | 1 | |
| 9 | 92901-04100-00 | . WASHER, SPRING | 1 | |
| 10 | 98701-06014-00 | SCREW, FLAT HEAD | 2 | |

Not For Resale

www.SmallEngineDiscount.com

CLUTCH



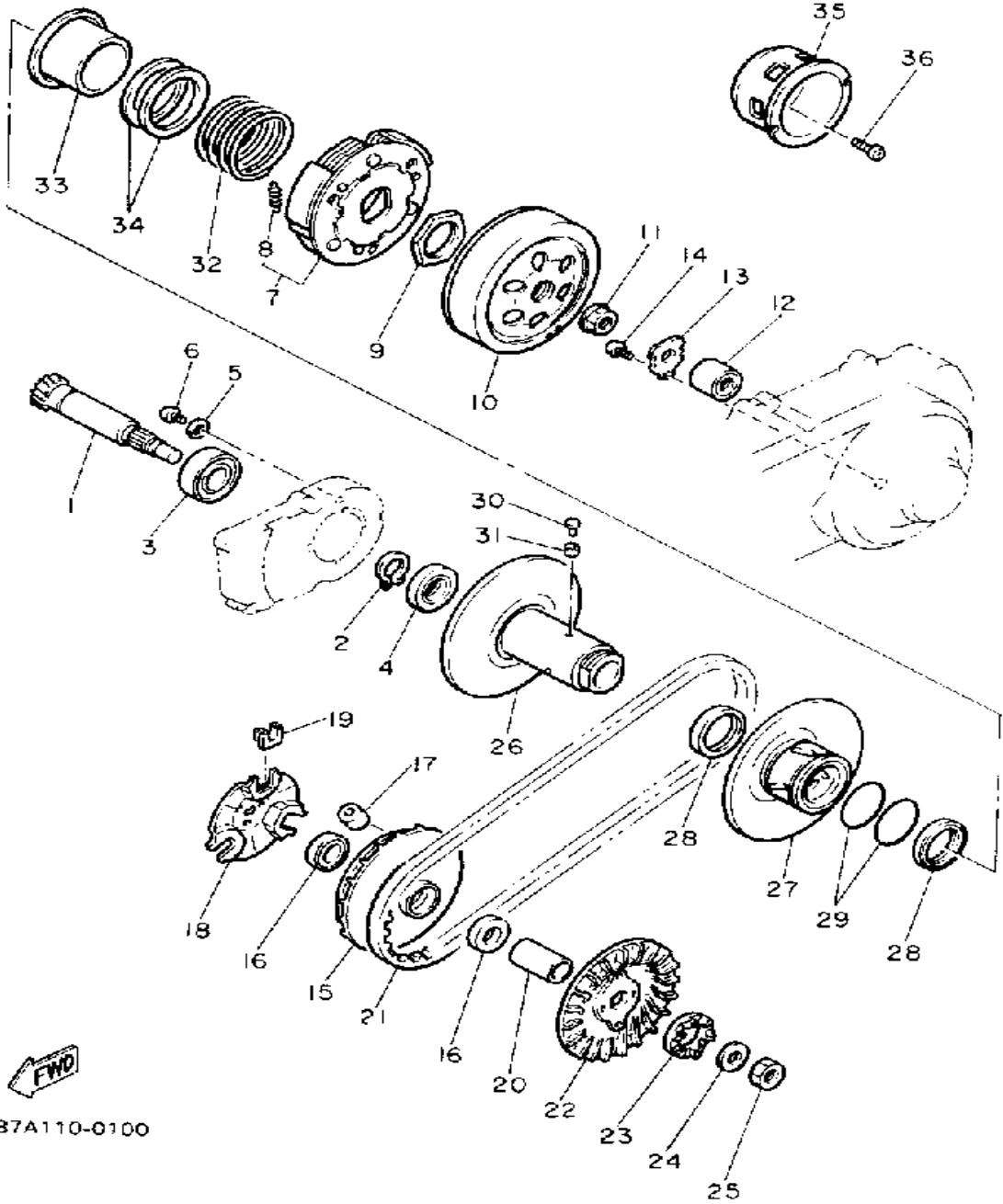
87A110-0100

| Ref. No. | Part Number | Description | Qty | Remarks |
|----------|-----------------|-------------------------------|-----|---------|
| 1 | 50W-16111-00-00 | GEAR, PRI DRIVE | 1 | |
| 2 | 99009-22400-00 | CIRCLIP | 1 | |
| 3 | 93306-00433-00 | BEARING | 1 | |
| 4 | 93102-22429-00 | OIL SEAL, SD-TYPE | 1 | |
| 5 | 90201-06412-00 | WASHER, PLATE | 1 | |
| 6 | 98580-06010-00 | SCREW, PAN HEAD (92503-06010) | 1 | |
| 7 | 87A-16620-00-00 | CLUTCH CARRIER ASSEMBLY | 1 | |
| 8 | 2YM-16626-00-00 | . CLUTCH WGT SPRING | 3 | |
| | 87A-16626-00-00 | . CLUTCH WGT SPRING | 3 | |
| 9 | 90170-36279-00 | NUT | 1 | |
| 10 | 4DH-16611-00-00 | CLUTCH HOUSING COMP. | 1 | |
| 11 | 90179-14427-00 | NUT, SPEC'L SHAPE | 1 | |
| 12 | 93399-99918-00 | BEARING | 1 | |
| 13 | 50M-15381-00-00 | PLATE, BEARING COVER | 1 | |
| 14 | 98580-06010-00 | SCREW, PAN HEAD (92503-06010) | 1 | |
| 15 | 50W-17620-01-00 | PRI SLIDG SHEAVECOMP. | 1 | |
| 16 | 93101-23127-00 | OIL SEAL | 2 | |
| 18 | 50W-17623-00-00 | CAM | 1 | |
| 19 | 50W-17653-00-00 | SLIDER | 3 | |
| 20 | 90387-166L7-00 | COLLAR | 1 | |
| 21 | 50W-17641-00-00 | V-BELT | 1 | |
| 22 | 87A-17611-00-00 | SHEAVE, PRI FIXED | 1 | |
| 23 | 87A-15657-00-00 | CLUTCH, ONE | 1 | |
| 24 | 90208-12050-00 | WASHER, CONICAL SPR | 1 | |
| 25 | 95311-12700-00 | NUT | 1 | |
| 26 | 50W-17660-01-00 | SECONDARY FIXED SHEAVE COMP. | 1 | |
| 27 | 87A-17670-00-00 | SEC SLIDING SHEAVE | 1 | |

CONTINUED ON NEXT FRAME ►

Not For Resale
www.SmallEngineDiscount.com

CLUTCH



87A110-0100

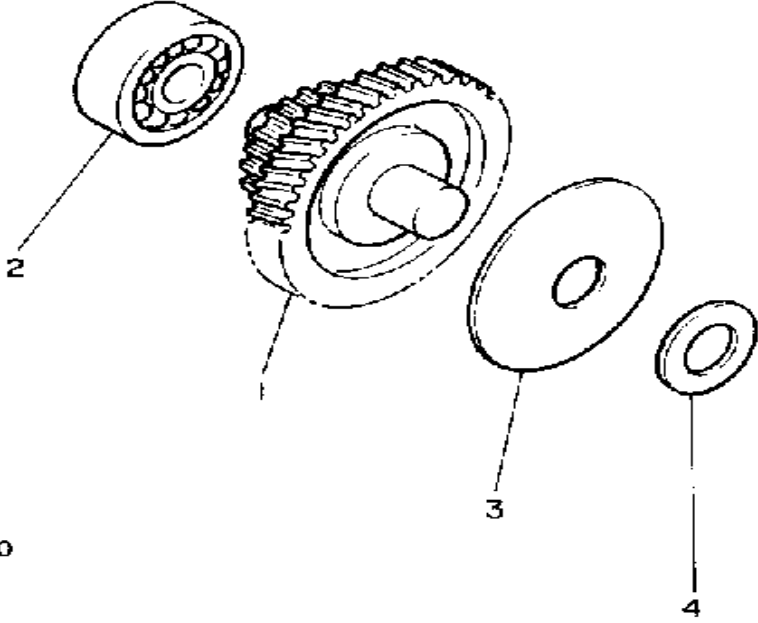
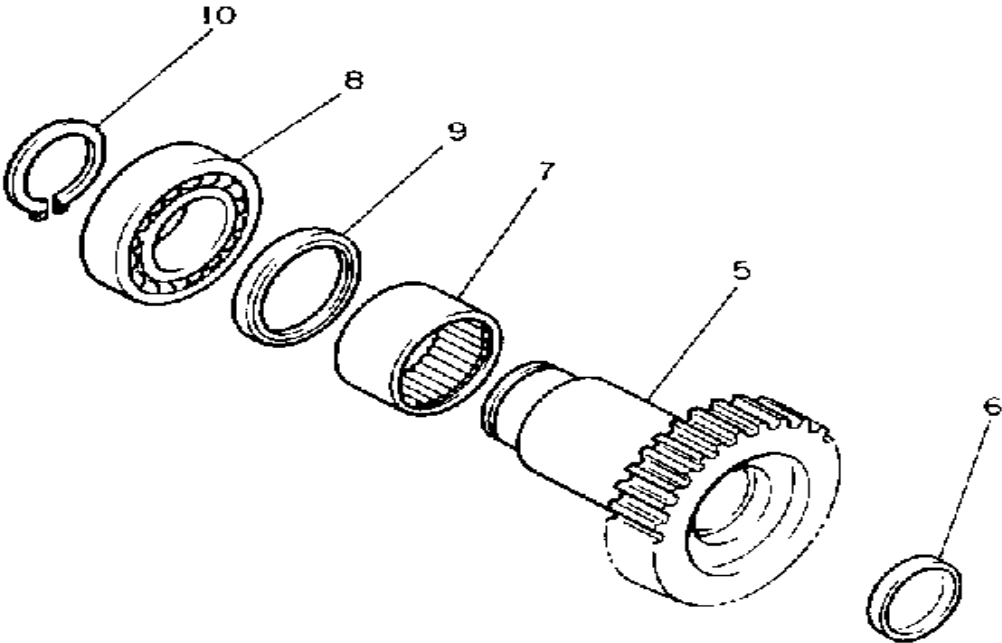
| Ref. No. | Part Number | Description | Qty | Remarks |
|----------|-----------------|----------------------------------|-----|---------|
| 28 | 93104-41091-00 | OIL SEAL | 2 | |
| 29 | 93210-43713-00 | O-RING | 2 | |
| 30 | 50W-17664-00-00 | PIN, GUIDE | 3 | |
| 31 | 50W-17674-00-00 | COLLAR, GUIDE | 3 | |
| 32 | 90501-551G1-00 | SPRING, COMPRESSION | 1 | |
| 33 | 50W-17684-00-00 | SEAT, SECONDARY SPRING | 1 | |
| 34 | 90201-535H6-00 | WASHER, PLATE (T=2.0) | 2 | AP |
| | 90201-536A1-00 | WASHER, PLATE (T=1.0) | 2 | STD |
| 35 | 87A-15723-00-00 | PULLEY, STARTER | 1 | |
| 36 | 98506-06008-00 | SCREW, PAN HEAD (92506-06008-00) | 2 | |

Not For Resale

www.SmallEngineDiscount.com

TRANSMISSION

| Ref. No. | Part Number | Description | Qty | Remarks |
|----------|-----------------|-----------------------------|-----|---------|
| 1 | 87A-17410-00-00 | MAIN AXLE | 1 | |
| | 87A-17410-90-00 | MAIN AXLE | 1 | |
| 2 | 93306-30101-00 | BEARING (B6301) | 1 | |
| 3 | 90208-15041-00 | WASHER, CONICAL SPR | 1 | |
| 4 | 90201-154E9-00 | WASHER, PLATE | 1 | |
| 5 | 87A-17211-00-00 | GEAR, 1ST WHEEL | 1 | |
| | 87A-17211-90-00 | GEAR, 1ST WHEEL | 1 | |
| 6 | 90331-23002-00 | PLUG, TIGHT | 1 | |
| 7 | 93315-43047-00 | BEARING, CYLINDER.# 5 | 1 | |
| 8 | 93306-00507-00 | BEARING (B6005) | 1 | |
| 9 | 93102-30243-00 | OIL SEAL | 1 | |
| 10 | 93410-25010-00 | CIRCLIP, S-TYPE | 1 | |

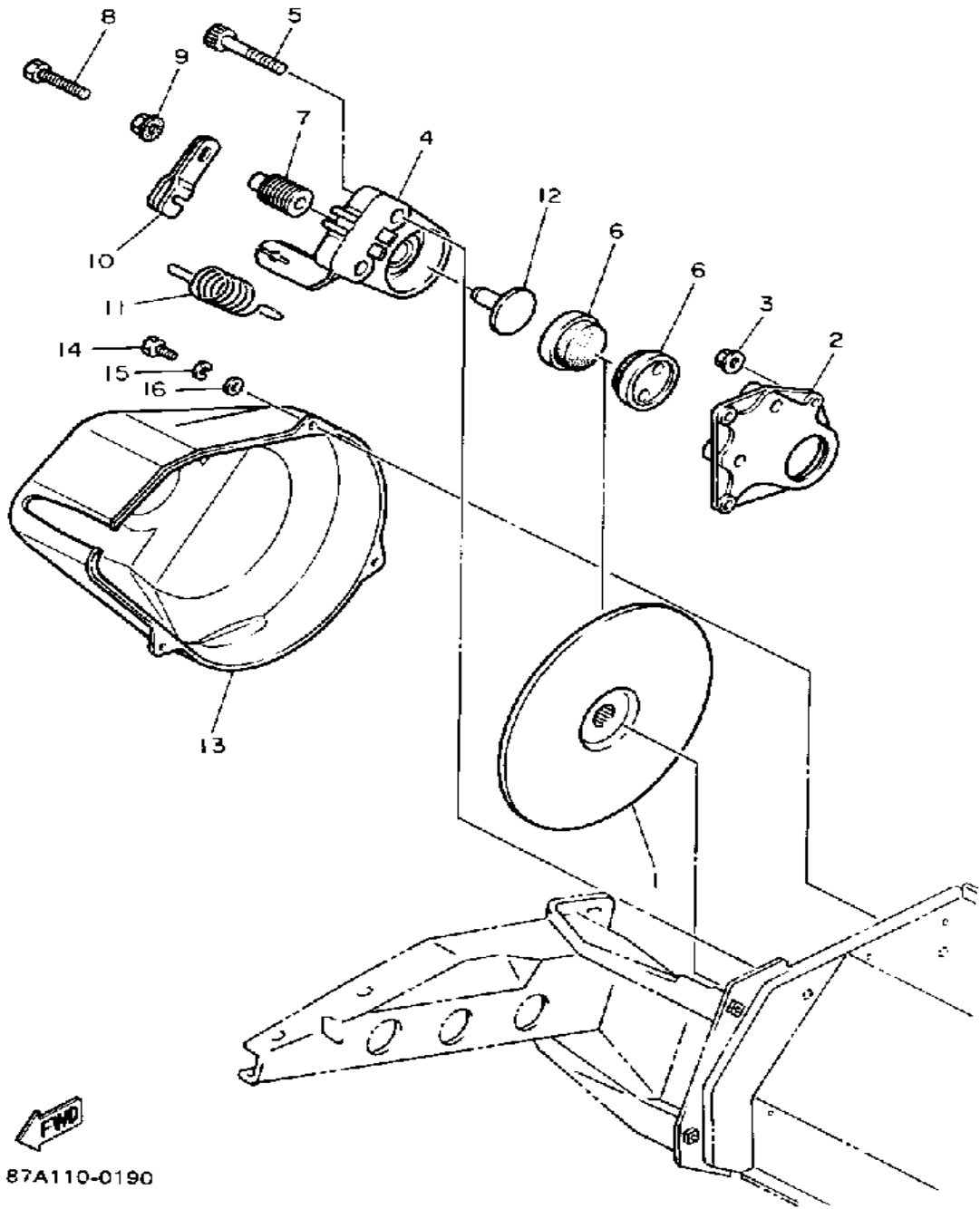


87A110-0110

Not For Resale

www.SmallEngineDiscount.com

BRAKE

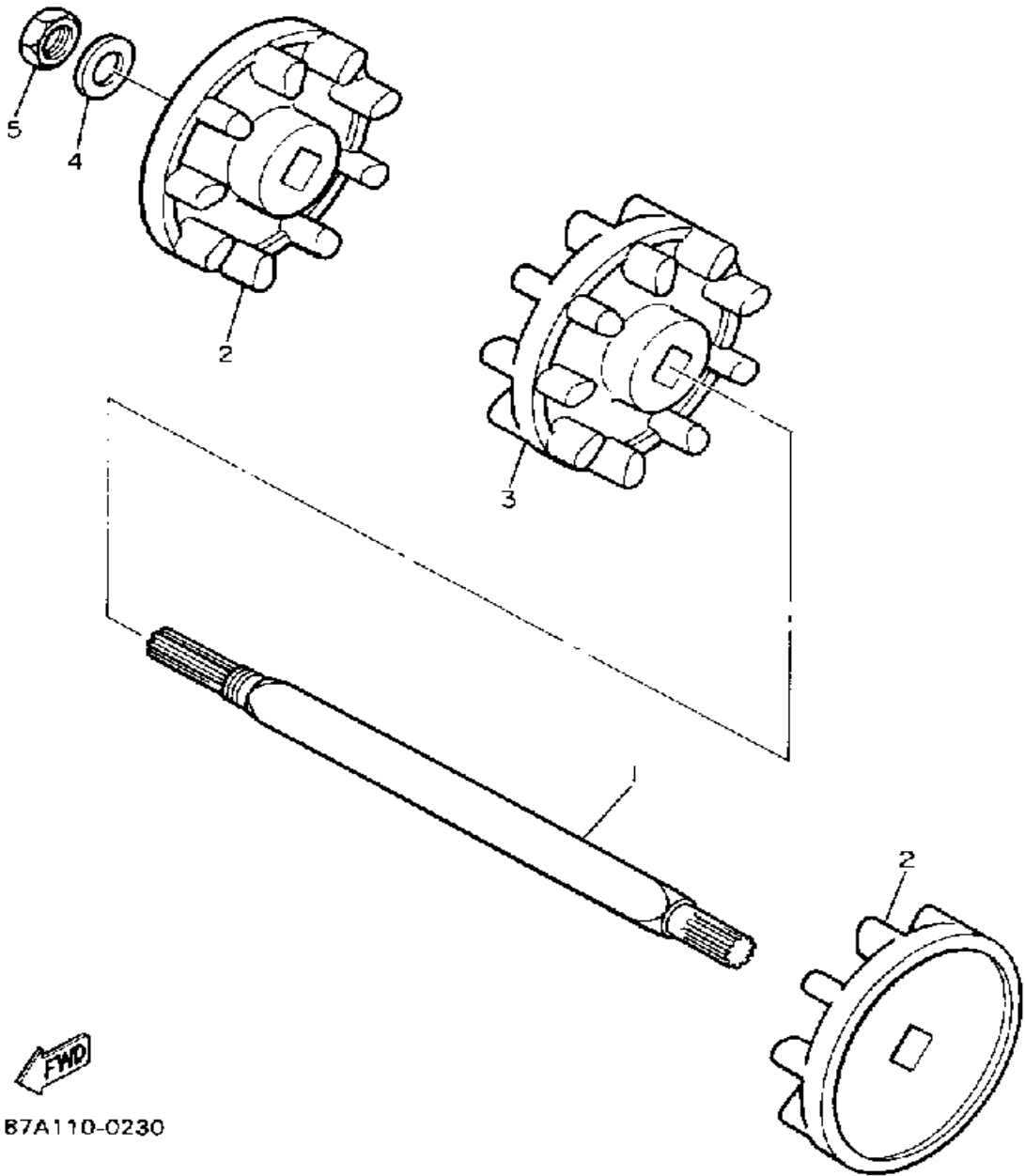


| Ref. No. | Part Number | Description | Qty | Remarks |
|----------|-----------------|---------------------|-----|---------|
| 1 | 85G-25711-00-00 | DISC, BRAKE | 1 | |
| 2 | 85G-25741-00-00 | BODY, CALIPER 2 | 1 | |
| 3 | 95601-08200-00 | NUT, U | 3 | |
| 4 | 8K4-25731-00-00 | BODY, CALIPER 1 | 1 | |
| 5 | 91311-10035-00 | BOLT, SOCKET HEAD | 2 | |
| 6 | 84X-25811-01-00 | PAD, CALIPER 2 | 2 | |
| 7 | 878-25728-00-00 | CAM | 1 | |
| 8 | 90101-08499-00 | BOLT | 1 | |
| 9 | 95701-08500-00 | NUT, FLANGE | 1 | |
| 10 | 878-25726-00-00 | LEVER, BRAKE | 1 | |
| 11 | 90501-23337-00 | SPRING, COMPRESSION | 1 | |
| 12 | 878-25733-00-00 | PLATE, BACK UP | 1 | |
| 13 | 87B-25715-00-00 | COVER 1 | 1 | |
| 14 | 97026-06012-00 | BOLT | 3 | |
| 15 | 92906-06100-00 | WASHER, SPRING | 3 | |
| 16 | 92906-06600-00 | WASHER | 3 | |

87A110-0190

Not For Resale
www.SmallEngineDiscount.com

TRACK DRIVE 1

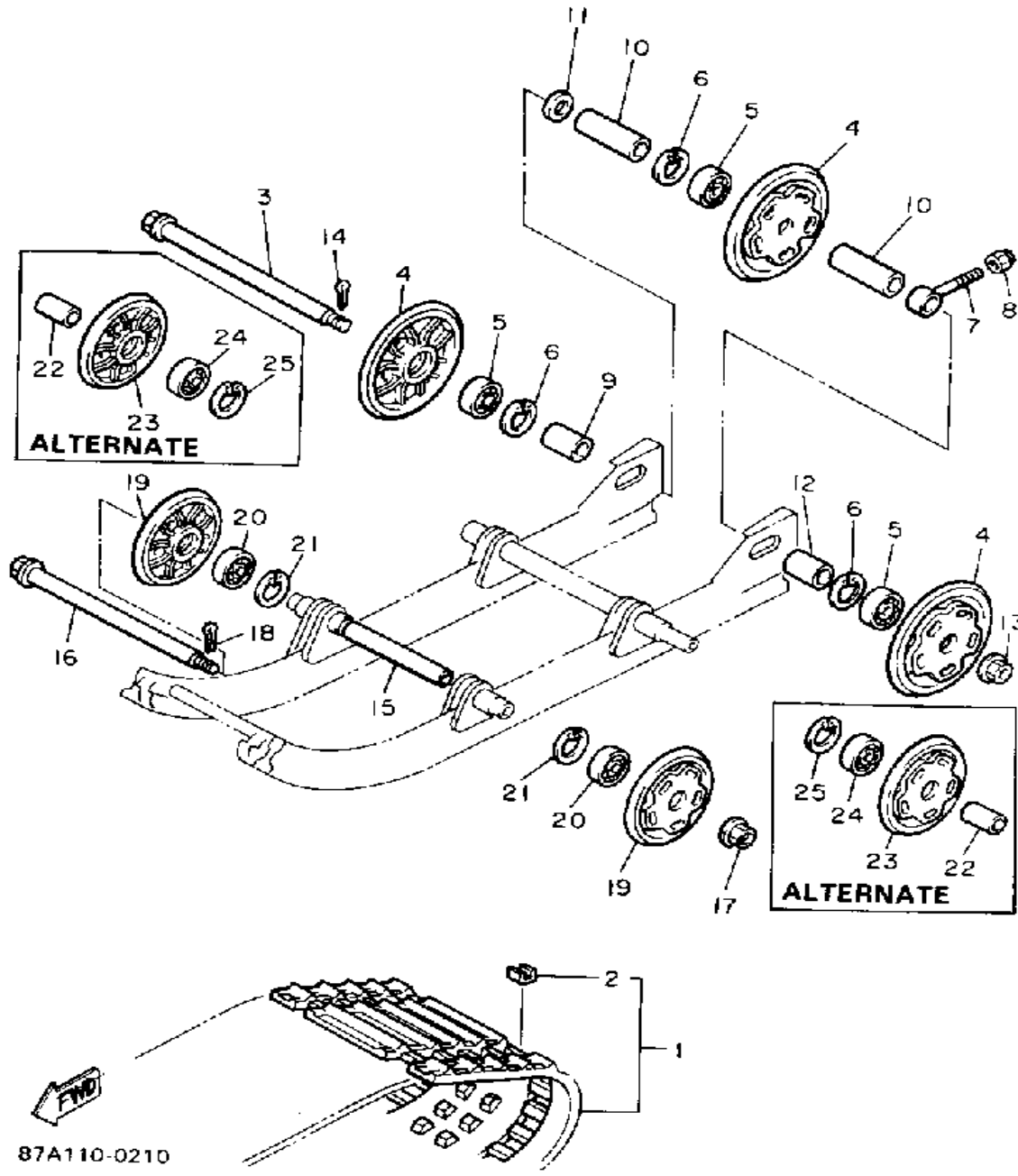


| Ref. No. | Part Number | Description | Qty | Remarks |
|----------|-------------------|---------------------------|-----|---------|
| 1 | (87A-47511-00-00) | AXLE, FRONT | 1 | |
| 2 | 87A-47531-00-00 | WHEEL, SPROCKET 1 | 2 | |
| 3 | 8R4-47531-00-00 | WHEEL, SPROCKET 1 | 1 | |
| 4 | 90208-20008-00 | WASHER, CONICAL SPRING .. | 1 | |
| 5 | 90170-20211-00 | NUT | 1 | |

 B7A110-0230

Not For Resale
www.SmallEngineDiscount.com

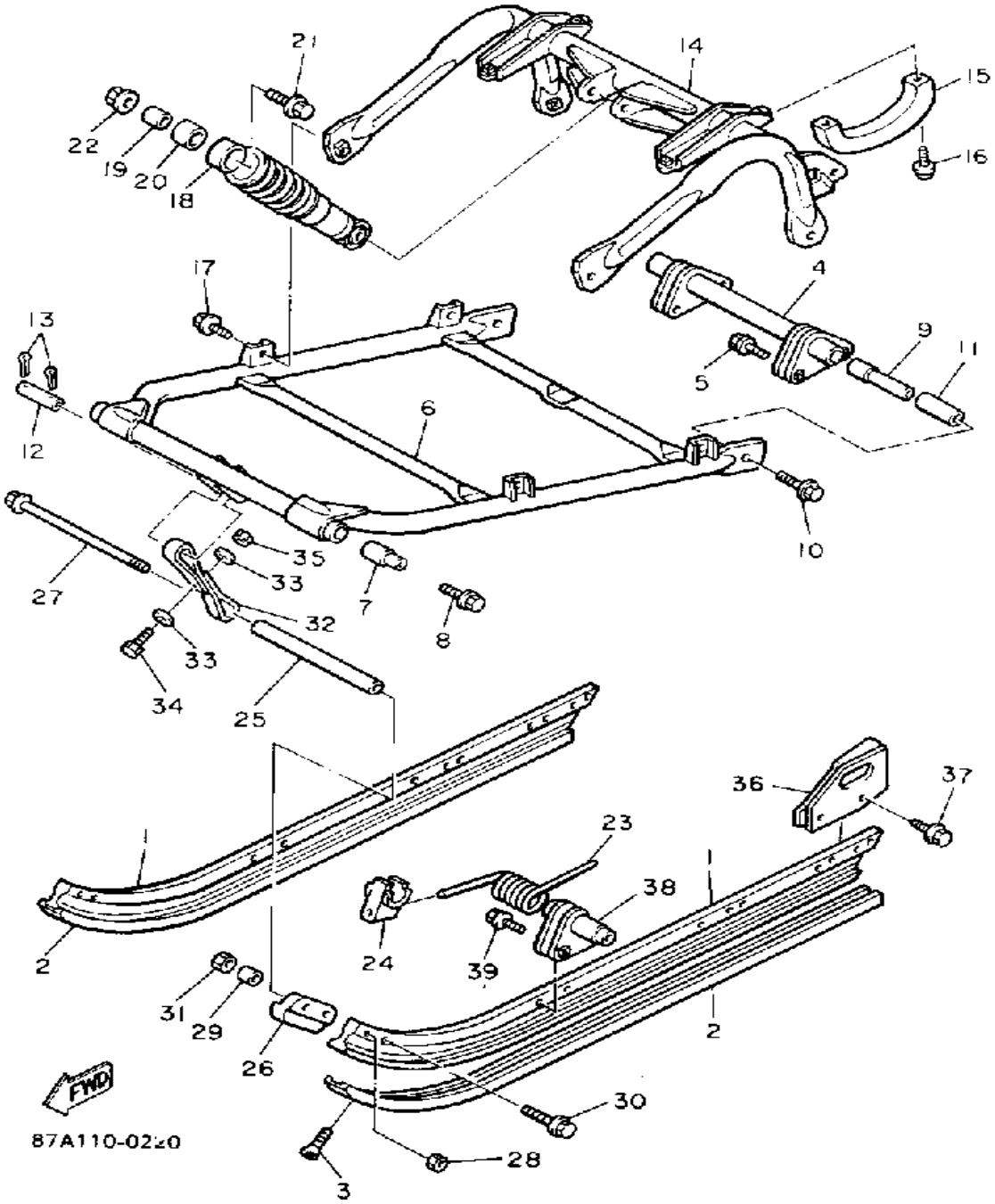
TRACK SUSPENSION 1



| Ref. No. | Part Number | Description | Qty | Remarks |
|----------|-----------------|---------------------------|-----|---------|
| 1 | 87A-47110-00-00 | TRACK ASSEMBLY | 1 | |
| 2 | 85G-47113-00-00 | . PLATE, RNFCMNT | 44 | |
| 3 | 85G-47521-00-00 | AXLE, REAR | 1 | |
| 4 | 8U7-47320-00-00 | SUSPENSION WHEEL COMP. | 3 | |
| 5 | 93306-00441-00 | BEARING (89A) (B6004RS) | 3 | |
| 6 | 99009-42500-00 | CIRCLIP | 3 | |
| 7 | 85G-47479-00-00 | COLLAR 3 | 2 | |
| 8 | 95701-10300-00 | NUT, FLANGE (95702-10300) | 2 | |
| 9 | 90387-206T7-00 | COLLAR | 1 | |
| 10 | 90387-206V2-00 | COLLAR | 2 | |
| 11 | 90201-20279-00 | WASHER, PLATE | 1 | |
| 12 | 90387-204U6-00 | COLLAR | 1 | |
| 13 | 95601-14200-00 | NUT, U | 1 | |
| 14 | 91401-30030-00 | PIN, COTTER | 1 | |
| 15 | 90387-161W5-00 | COLLAR | 1 | |
| 16 | 87A-47487-00-00 | SHAFT 5 | 1 | |
| 17 | 95601-14200-00 | NUT, U | 1 | |
| 18 | 91401-30030-00 | PIN, COTTER | 1 | |
| 19 | 87M-47320-00-00 | SUSPENSION WHEEL COMP. | 2 | |
| 20 | 93306-00441-00 | BEARING (89A) (B6004RS) | 2 | |
| 21 | 99009-42500-00 | CIRCLIP | 2 | |
| 22 | 90387-201W7-00 | COLLAR | 2 | |
| 23 | 87M-47320-00-00 | SUSPENSION WHEEL COMP. | 2 | |
| 24 | 93306-00441-00 | BEARING (89A) (B6004RS) | 2 | AP |
| 25 | 99009-42500-00 | CIRCLIP | 2 | AP |

Not For Resale
www.SmallEngineDiscount.com

TRACK SUSPENSION 2

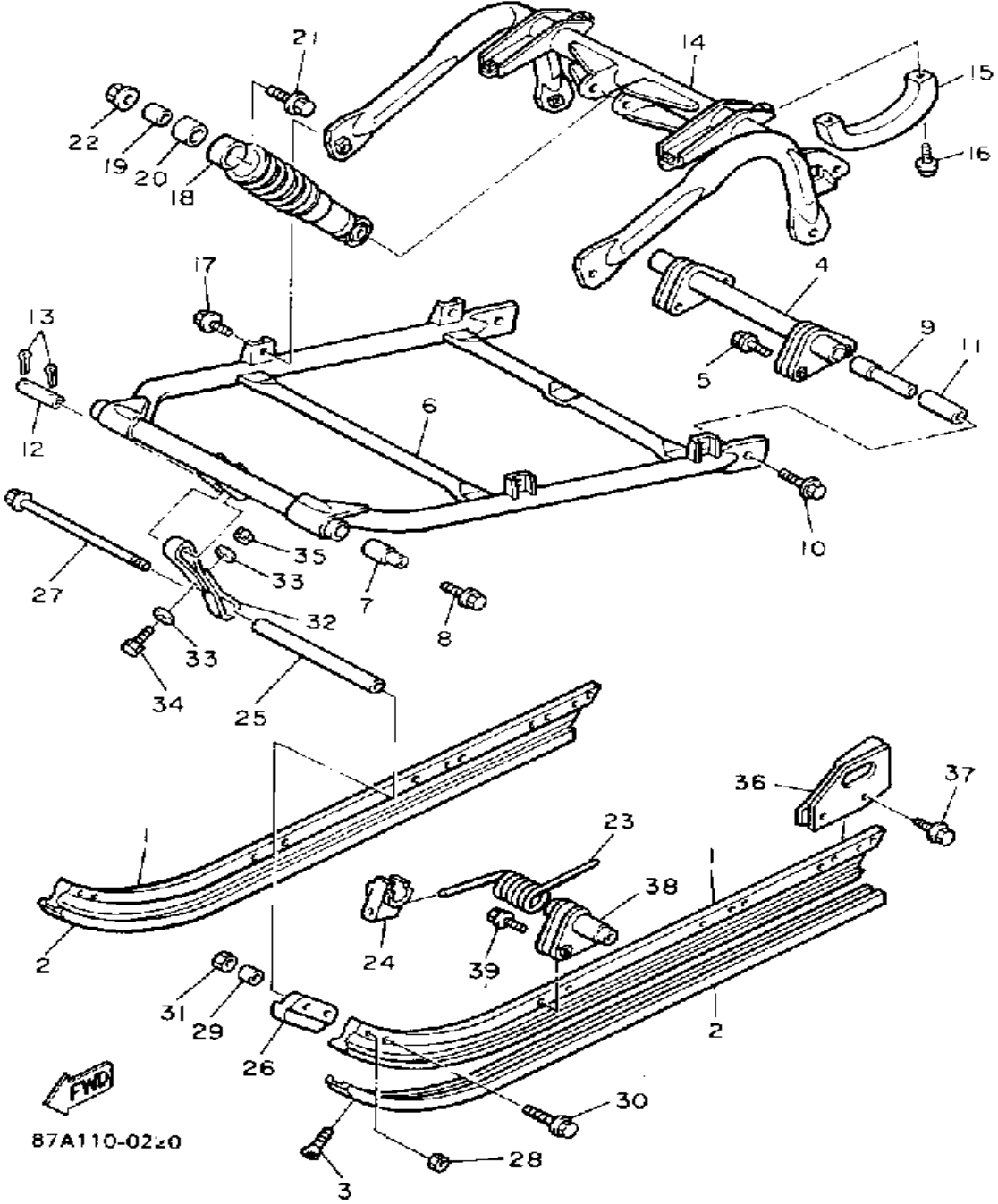


| Ref. No. | Part Number | Description | Qty | Remarks |
|----------|-----------------|--------------------------|-----|---------|
| 1 | 87A-47411-00-00 | FRAME, SLIDING 1 | 2 | |
| 2 | 87A-47421-00-XX | SLIDING RUNNER | 2 | |
| 3 | 90151-06010-00 | SCREW, COUNTERSUNK | 2 | |
| 4 | 87A-47416-00-00 | BRACKET 2 | 1 | |
| 5 | 90105-06601-00 | BOLT, WASHER BASED | 6 | |
| 6 | 87A-47331-00-00 | ARM, PIVOT 1 | 1 | |
| 7 | 85G-47465-00-00 | SHAFT 1 | 1 | |
| 8 | 90109-106A2-00 | BOLT | 2 | |
| 9 | 87A-47485-00-00 | SHAFT 3 | 1 | |
| 10 | 90105-10433-00 | BOLT, WASHER BASED | 2 | |
| 11 | 90387-205W7-00 | COLLAR | 2 | |
| 12 | 90387-106T4-00 | COLLAR (903-87090-R0-00) | 1 | |
| 13 | 91401-20030-00 | PIN, COTTER | 2 | |
| 14 | 87A-47417-00-00 | BRACKET 3 | 1 | |
| 15 | 85X-47445-00-00 | PROTECTOR | 2 | |
| 16 | 90159-06174-00 | SCREW, W/ WASHER | 4 | |
| 17 | 90105-08485-00 | BOLT, WASHER BASED | 4 | |
| 18 | 87A-47480-00-00 | SHOCK ABSORBER | 1 | |
| 19 | 90386-14173-00 | BUSH | 2 | |
| 20 | 90387-100X3-00 | COLLAR | 2 | |
| 21 | 95822-10040-00 | BOLT FLANGE | 2 | |
| 22 | 90185-10115-00 | NUT, SELF-LOCKING | 2 | |
| 23 | 87A-47471-00-00 | SPRING, FRONT 1 | 1 | |
| 24 | 8V0-47447-01-00 | HOOK 2 | 1 | |
| 25 | 90387-086T3-00 | COLLAR | 1 | |
| 26 | 85G-47422-01-00 | RUNNER, SLIDING 2 | 2 | |
| 27 | 95811-08190-00 | BOLT, FLANGE | 1 | |
| 28 | 95611-08200-00 | NUT WASHER BSD | 1 | |
| 29 | 90387-086T2-00 | COLLAR | 2 | |

CONTINUED ON NEXT FRAME ►

Not For Resale
www.SmallEngineDiscount.com

TRACK SUSPENSION 2



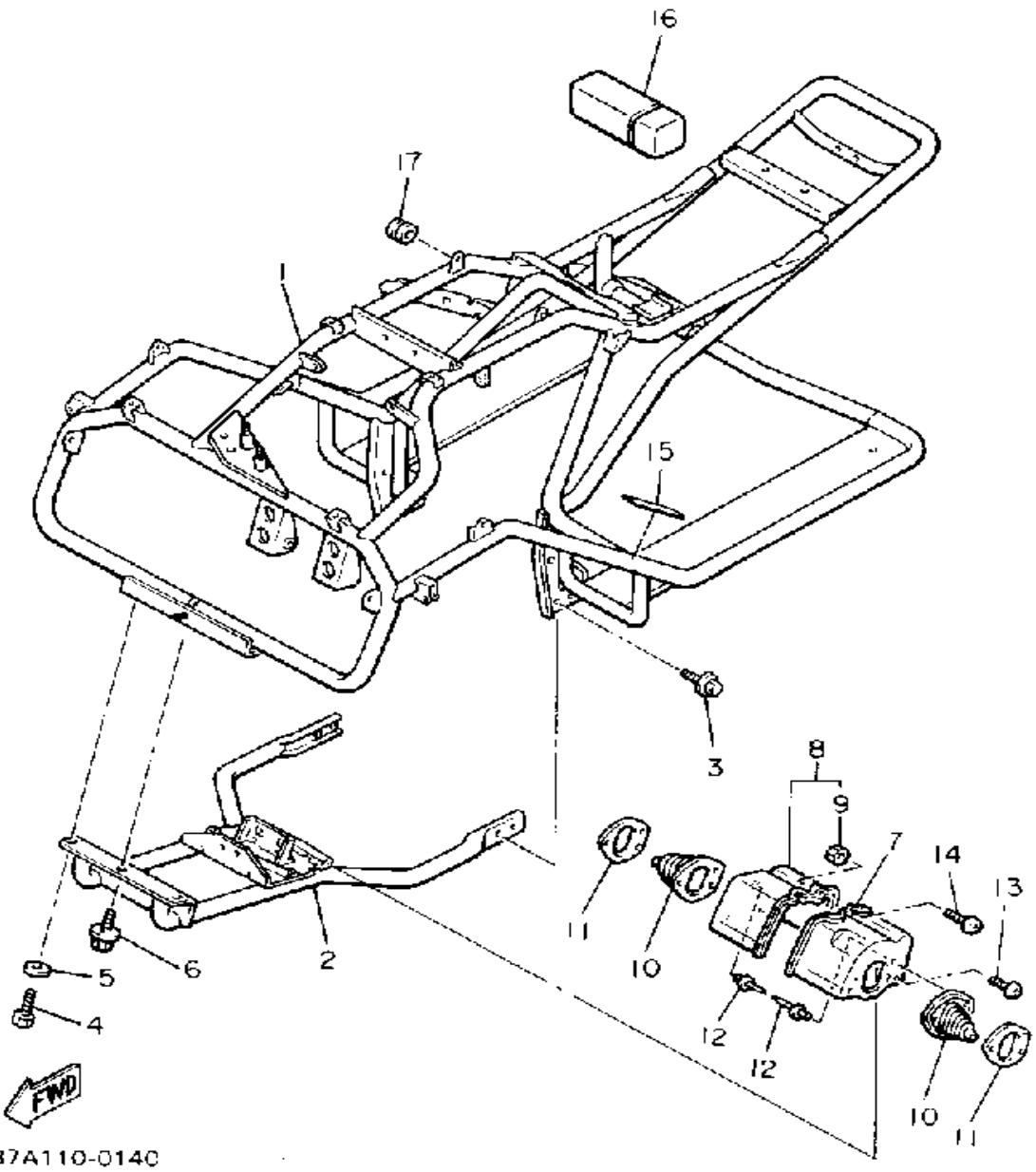
| Ref. No. | Part Number | Description | Qty | Remarks |
|----------|-----------------|--------------------|-----|---------|
| 30 | 95811-08045-00 | BOLT, FLANGE (JN5) | 2 | |
| 31 | 95601-08200-00 | NUT, U | 2 | |
| 32 | 87A-47495-00-00 | STOPPER 1 | 1 | |
| 33 | 90209-06174-00 | WASHER | 2 | |
| 34 | 97011-06025-00 | BOLT (97001-06025) | 1 | |
| 35 | 95701-06300-00 | NUT, NYLON | 1 | |
| 36 | 85G-47412-00-00 | FRAME, SLIDING 2 | 2 | |
| 37 | 90105-08486-00 | BOLT, WASHER BASED | 4 | |
| 38 | 87A-47464-00-00 | BRACKET 6 | 2 | |
| 39 | 90105-08486-00 | BOLT, WASHER BASED | 4 | |

Not For Resale

www.SmallEngineDiscount.com

FRAME

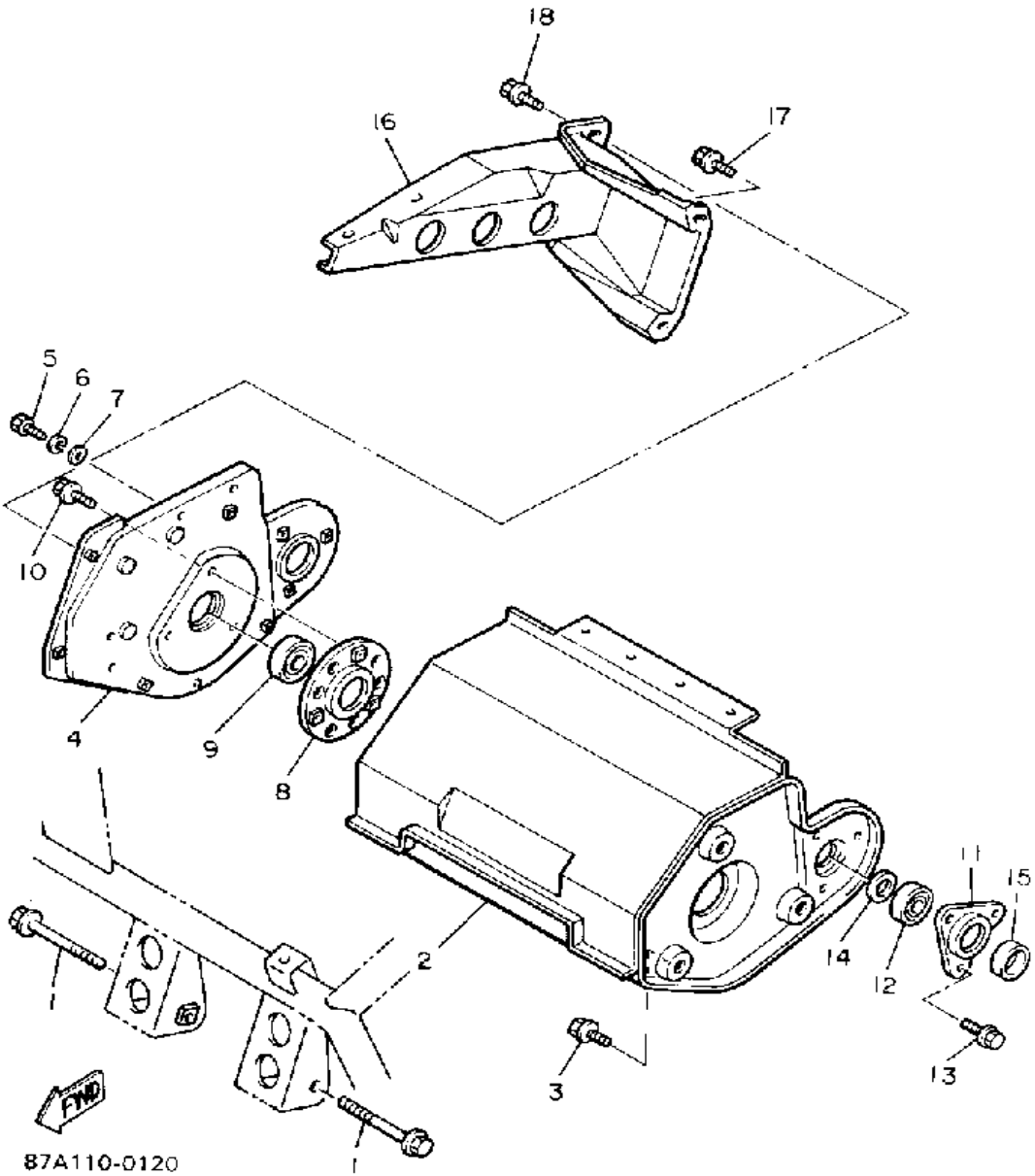
| Ref. No. | Part Number | Description | Qty | Remarks |
|----------|-----------------|------------------|-----|---------|
| 1 | 87A-21910-00-00 | FRAME | 1 | |
| 2 | 87A-2196A-00-00 | FRAME UNDER 1 | 1 | |
| 3 | 95816-08016-00 | BOLT, FLANGE | 4 | |
| 4 | 97026-10020-00 | BOLT | 2 | |
| 5 | 90215-10192-00 | WASHER, LOCK | 2 | |
| 6 | 95826-10020-00 | BOLT, flange | 1 | |
| 7 | 87A-2198F-00-00 | COVER 1 | 1 | |
| 8 | 87A-2198G-00-00 | COVER 2 | 1 | |
| 9 | 90170-05365-00 | . NUT, HEXAGON | 1 | |
| 10 | 87A-2198J-00-00 | COVER 3 | 2 | |
| 11 | 87A-77525-00-00 | WASHER 1 | 2 | |
| 12 | 90267-40077-00 | RIVET, BLIND | 6 | |
| 13 | 98906-05012-00 | SCREW, BIND | 4 | |
| 14 | 98906-05020-00 | SCREW, BIND | 1 | |
| 15 | 85G-77762-00-00 | LABEL, WARNING 2 | 1 | |
| 16 | 87A-28100-00-00 | TOOL KIT | 1 | |
| 17 | 90480-16113-00 | GROMMET | 2 | |



Not For Resale

www.SmallEngineDiscount.com

ENGINE BRACKET

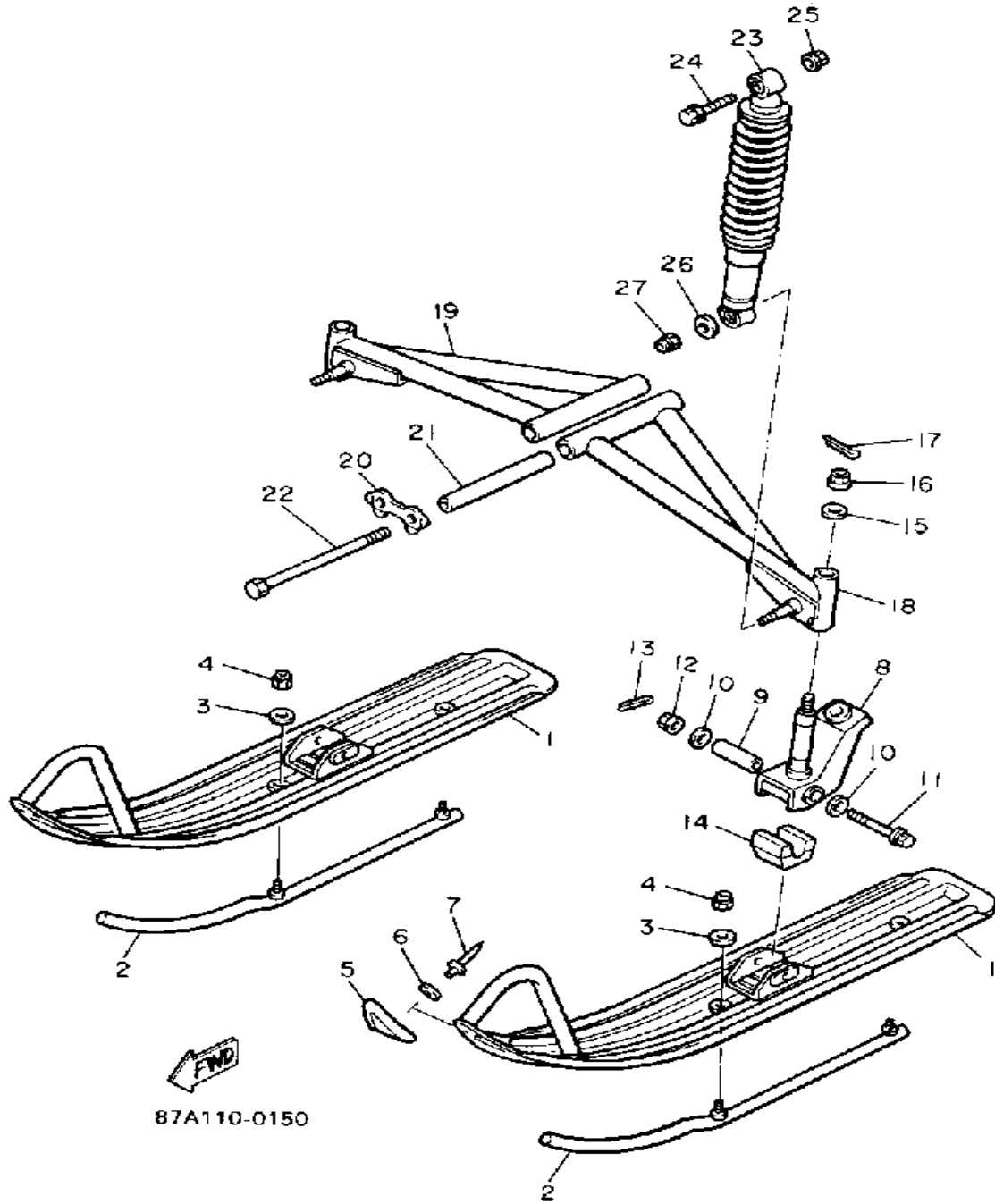


| Ref. No. | Part Number | Description | Qty | Remarks |
|----------|-----------------|-------------------------|-----|---------|
| 1 | 90105-08017-00 | BOLT, WASHER BASEDBASED | 2 | |
| 2 | 87A-21419-00-00 | BRACKET, ENGINE 2 | 1 | |
| 3 | 95816-08016-00 | BOLT, FLANGE | 3 | |
| 4 | 85G-21429-00-00 | BRACKET, ENGINE 3 | 1 | |
| 5 | 97026-06012-00 | BOLT | 4 | |
| 6 | 92906-06100-00 | WASHER, SPRING | 4 | |
| 7 | 92906-06600-00 | WASHER | 4 | |
| 8 | 85G-47551-00-00 | HOUSING, FRONT AXLE | 1 | |
| 9 | 93306-00441-00 | BEARING (89A) (B6004RS) | 1 | |
| 10 | 95816-08012-00 | BOLT, flange | 3 | |
| 11 | 85G-47561-00-00 | HOUSING, SEC SHAFT | 2 | |
| 12 | 93306-00316-00 | BEARING | 2 | |
| 13 | 95816-08012-00 | BOLT, flange | 6 | |
| 14 | 90201-17256-00 | WASHER, PLATE | 2 | |
| 15 | 90387-17783-00 | COLLAR | 2 | |
| 16 | 87A-21435-00-00 | BRACKET, MUFFLER 1 | 1 | |
| 17 | 95811-08016-00 | BOLT, FLANGE | 2 | |
| 18 | 90105-08590-00 | BOLT, WASHER BASED | 2 | |

87A110-0120

Not For Resale
www.SmallEngineDiscount.com

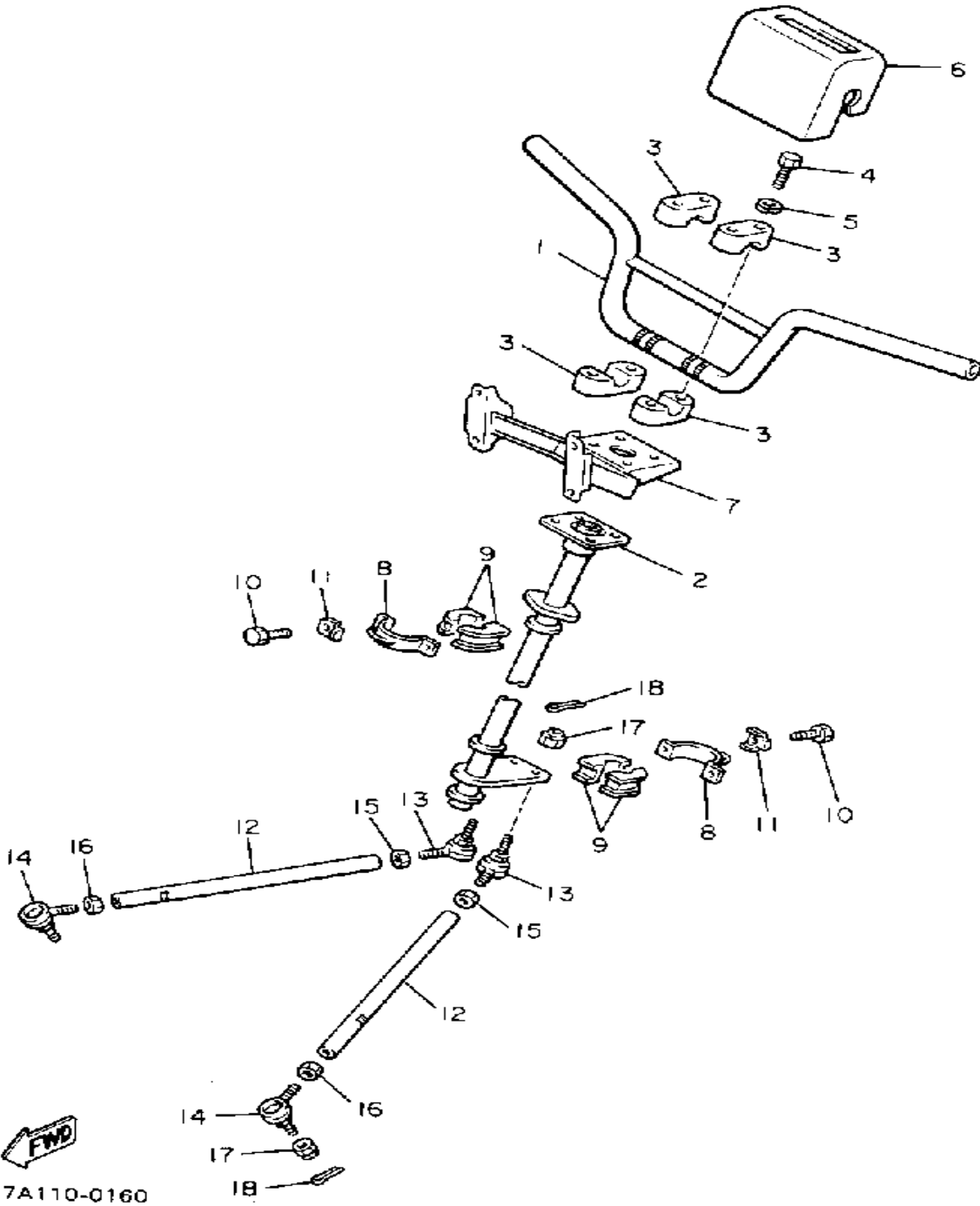
SKI



| Ref. No. | Part Number | Description | Qty | Remarks |
|----------|-----------------|------------------------------------|-----|---------|
| 1 | 87A-23710-00-00 | SKI 1 | 2 | |
| 2 | 87A-23731-00-XX | SKI RUNNER, 1 (87A-23731-00-00) | 2 | |
| 3 | 90201-081H4-00 | WASHER, PLATE | 4 | |
| 4 | 95716-08300-00 | NUT, FLANGE | 4 | |
| 5 | 867-23747-00-00 | PROTECTOR, SKI | 2 | |
| 6 | 90201-04023-00 | WASHER, PLATE | 4 | |
| 7 | 90267-40076-00 | RIVET, BLIND | 4 | |
| 8 | 87A-23853-00-00 | COLUMN, SKI 1 | 2 | |
| 9 | 90387-101W2-00 | COLLAR | 2 | |
| 10 | 90201-101J1-00 | WASHER, PLATE | 4 | |
| 11 | 90105-10591-00 | BOLT, WASHER BASED | 2 | |
| 12 | 95606-10200-00 | NUT, U | 2 | |
| 13 | 91490-20020-00 | PIN, COTTER | 2 | |
| 14 | 87A-23743-00-00 | STOPPER 1 | 2 | |
| 15 | 90201-086A3-00 | WASHER, PLATE | 2 | |
| 16 | 95606-08200-00 | NUT, U | 2 | |
| 17 | 91490-20020-00 | PIN, COTTER | 2 | |
| 18 | 87A-2382E-00-00 | ARM, FRONT 1 | 1 | |
| 19 | 87A-2382F-00-00 | ARM, FRONT 2 | 1 | |
| 20 | 87A-23737-00-00 | WASHER 1 | 1 | |
| 21 | 90387-100W8-00 | COLLAR | 2 | |
| 22 | 97026-10220-00 | BOLT | 2 | |
| 23 | 87A-23350-00-00 | SHOCK ABSORBER ASSEMBLY | 2 | |
| 24 | 95822-10040-00 | BOLT FLANGE | 2 | |
| 25 | 90185-10115-00 | NUT, SELF-LOCKING | 2 | |
| 26 | 90201-08795-00 | WASHER, PLATE | 2 | |
| 27 | 95716-08300-00 | NUT, FLANGE | 2 | |

Not For Resale
www.SmallEngineDiscount.com

STEERING

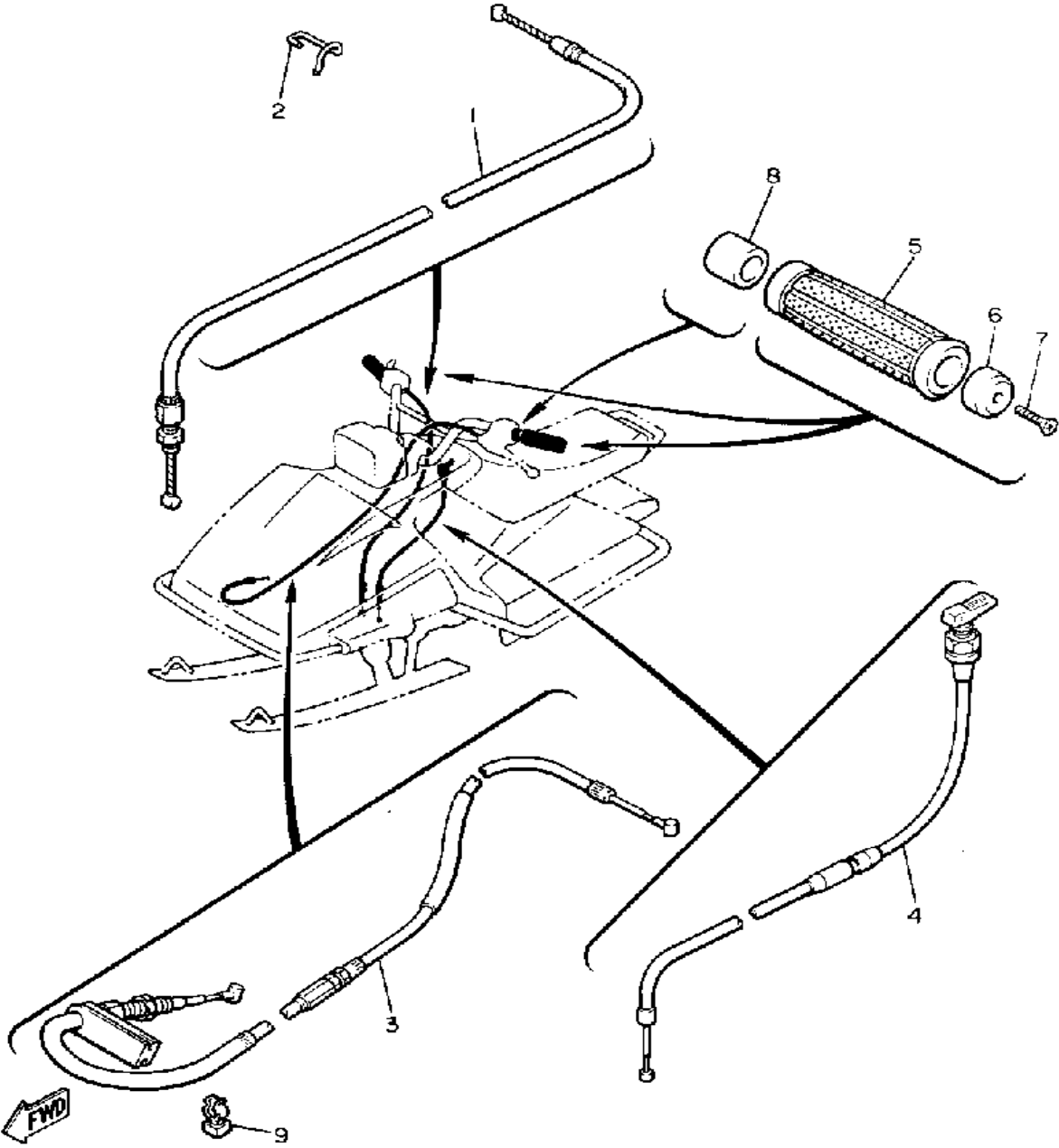


| Ref. No. | Part Number | Description | Qty | Remarks |
|----------|-----------------|-------------------------|-----|---------|
| 1 | 87A-23811-00-00 | COLUMN, STEERING | 1 | |
| 2 | 87A-23813-00-00 | COLUMN, STEERING 2 | 1 | |
| 3 | 85G-23814-00-00 | HOLDER, HANDLE UPR | 4 | |
| 4 | 97021-08065-00 | BOLT | 4 | |
| 5 | 92990-08100-00 | WASHER | 4 | |
| 6 | 8F3-23818-00-00 | COVER, STEERING | 1 | |
| 7 | 85G-23174-00-00 | STAY, HEADLIGHT | 1 | |
| 8 | 84M-23868-00-00 | BRACKET, STEERING LOWER | 2 | |
| 9 | 8F3-23812-00-00 | PLANE BEARING, STEERING | 4 | |
| 10 | 97011-08016-00 | BOLT | 4 | |
| 11 | 90215-08262-00 | WASHER, LOCK | 4 | |
| 12 | 87A-23821-00-00 | ROD, STEERING RELAY | 2 | |
| 13 | 86X-23841-00-00 | JOINT, UNIVERSAL 1 | 2 | |
| 14 | 86X-23845-00-00 | JOINT, UNIVERSAL 2 | 2 | |
| 15 | 95303-10700-00 | NUT | 2 | |
| 16 | 90170-10395-00 | NUT, HEXAGON | 2 | |
| 17 | 90185-10085-00 | NUT, SELF-LOCKING | 4 | |
| 18 | 91402-25018-00 | PIN, COTTER | 4 | |

Not For Resale

www.SmallEngineDiscount.com

CONTROL CABLE



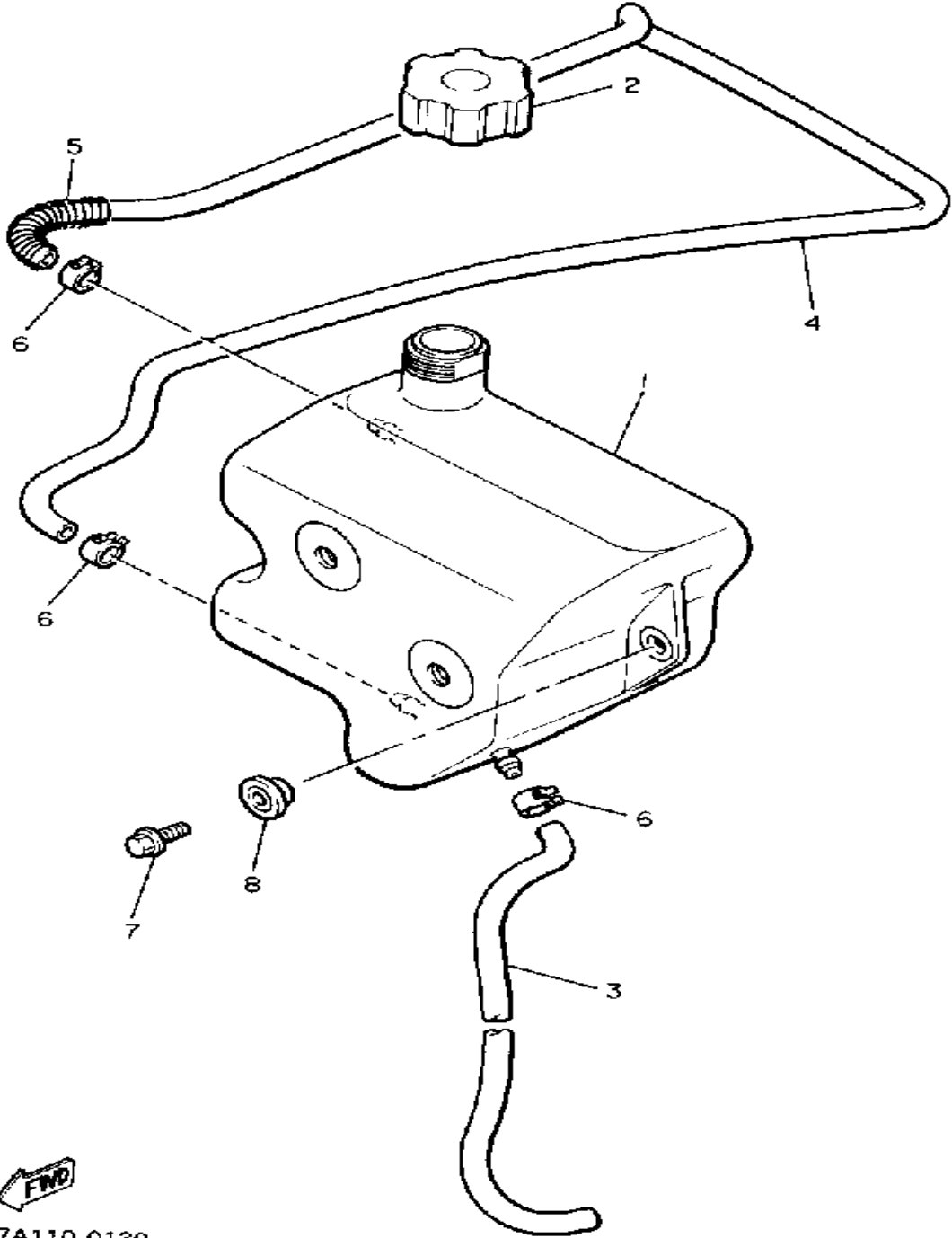
| Ref. No. | Part Number | Description | Qty | Remarks |
|----------|-----------------|-------------------|-----|---------|
| 1 | 87A-26311-00-00 | CABLE, THROTTLE 1 | 1 | |
| 2 | 90465-10189-00 | CLAMP | 1 | |
| 3 | 87A-26340-00-00 | CABLE, BRAKE | 1 | |
| 4 | 87A-26331-00-00 | CABLE, STARTER 1 | 1 | |
| 5 | 87A-26241-00-00 | GRIP LH | 2 | |
| 6 | 29L-26246-00-00 | END, GRIP | 2 | |
| 7 | 92706-06035-00 | SCREW, FLAT HEAD | 2 | |
| 8 | 90387-224F9-00 | COLLAR | 1 | |
| 9 | 90464-08131-00 | CLAMP | 1 | |

87A110-0200

Not For Resale
www.SmallEngineDiscount.com

OIL TANK

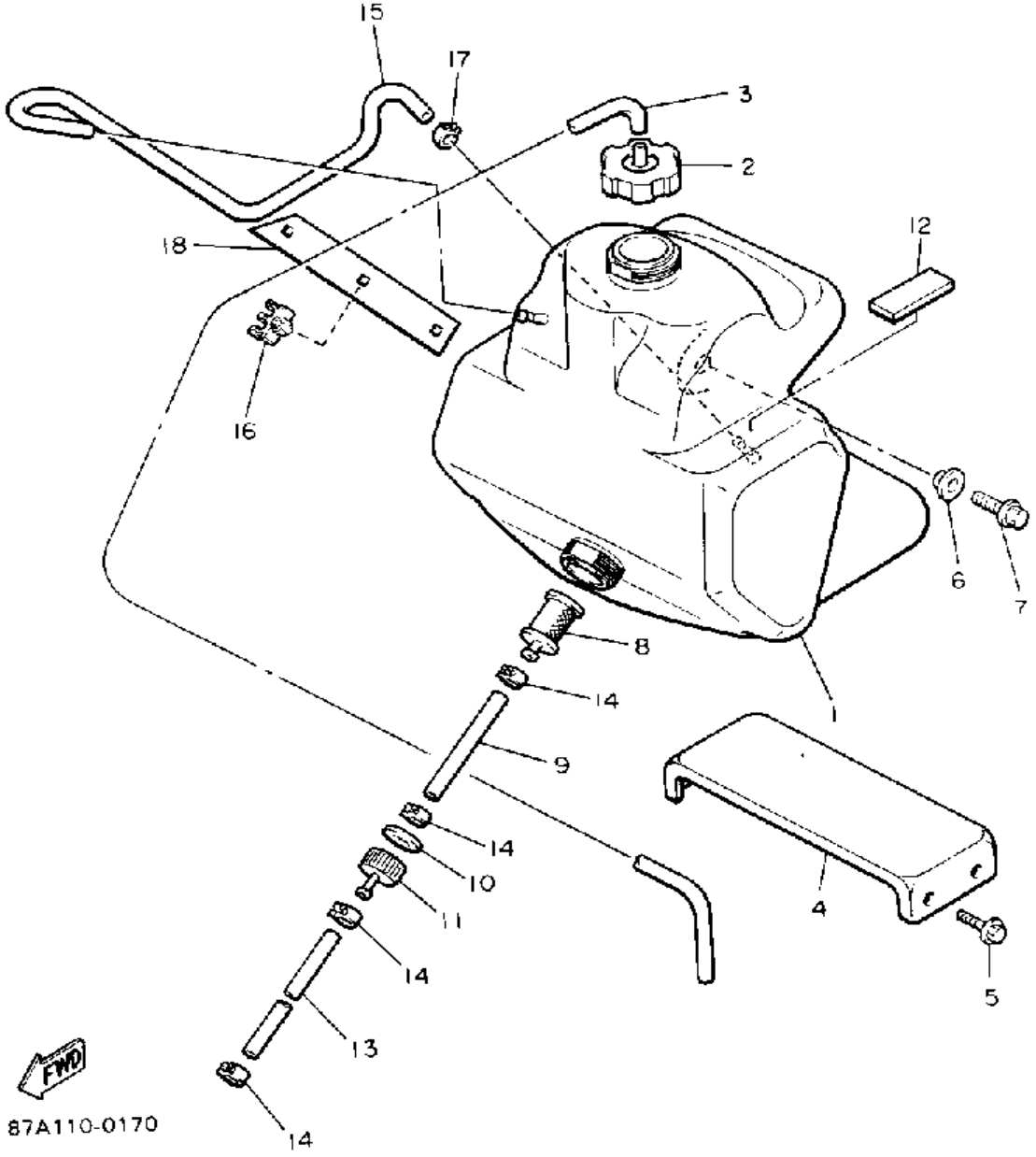
| Ref. No. | Part Number | Description | Qty | Remarks |
|----------|-----------------|------------------------------|-----|---------|
| 1 | 87A-21751-00-00 | TANK, OIL | 1 | |
| 2 | 87A-21770-00-00 | OIL TANK CAP ASSEMBLY ... | 1 | |
| 3 | 91A30-05045-00 | TUBE, FLEXIBLE VINYL | 1 | |
| 4 | 90446-09281-00 | HOSE | 1 | |
| 5 | 8F3-24328-00-00 | PROTECTOR, PIPE | 1 | |
| 6 | 90467-09026-00 | CLIP | 3 | |
| 7 | 95811-06016-00 | BOLT, FLANGE (95822-06016) . | 2 | |
| 8 | 90387-06681-00 | COLLAR | 2 | |



Not For Resale

www.SmallEngineDiscount.com

FUEL TANK

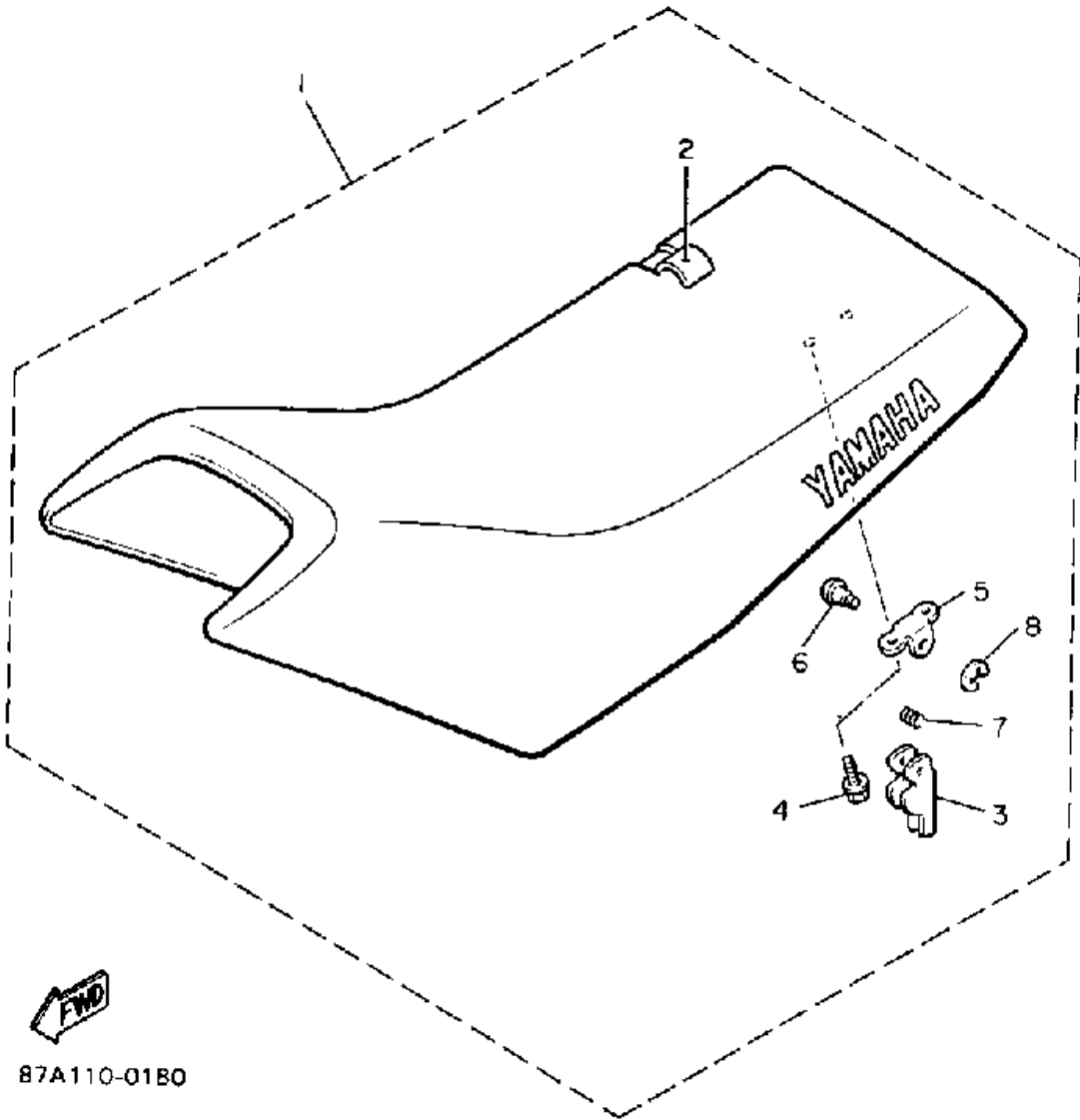


| Ref. No. | Part Number | Description | Qty | Remarks |
|----------|-------------------|----------------------------|-----|---------|
| 1 | 87A-24111-00-00 | FUEL TANK | 1 | |
| 2 | 85G-24610-00-00 | CAP ASSEMBLY | 1 | |
| 3 | 90445-093F7-00 | HOSE | 1 | |
| 4 | (87A-2413X-00-00) | PLATE | 1 | |
| 5 | 95816-08016-00 | BOLT, FLANGE | 4 | |
| 6 | 90387-081U0-00 | COLLAR | 1 | |
| 7 | 95821-08020-00 | BOLT, FLANGE (95801-08020) | 1 | |
| 8 | 85G-24560-00-00 | FILTER ASSEMBLY | 1 | |
| 9 | 90445-110F5-00 | HOSE | 1 | |
| 10 | 8F3-24564-00-00 | GASKET | 1 | |
| 11 | 8R4-24644-00-00 | BODY, CAP | 1 | |
| 12 | 87A-24175-00-00 | SPACER 2 | 2 | |
| 13 | 91A20-07070-00 | HOSE | 1 | |
| 14 | 90467-11044-00 | CLIP | 4 | |
| 15 | 90446-09060-00 | HOSE | 1 | |
| 16 | 90464-08126-00 | CLAMP | 3 | |
| 17 | 90467-09026-00 | CLIP | 1 | |
| 18 | 87A-7716E-00-00 | REFLECTOR 1 | 1 | |

Not For Resale

www.SmallEngineDiscount.com

SEAT

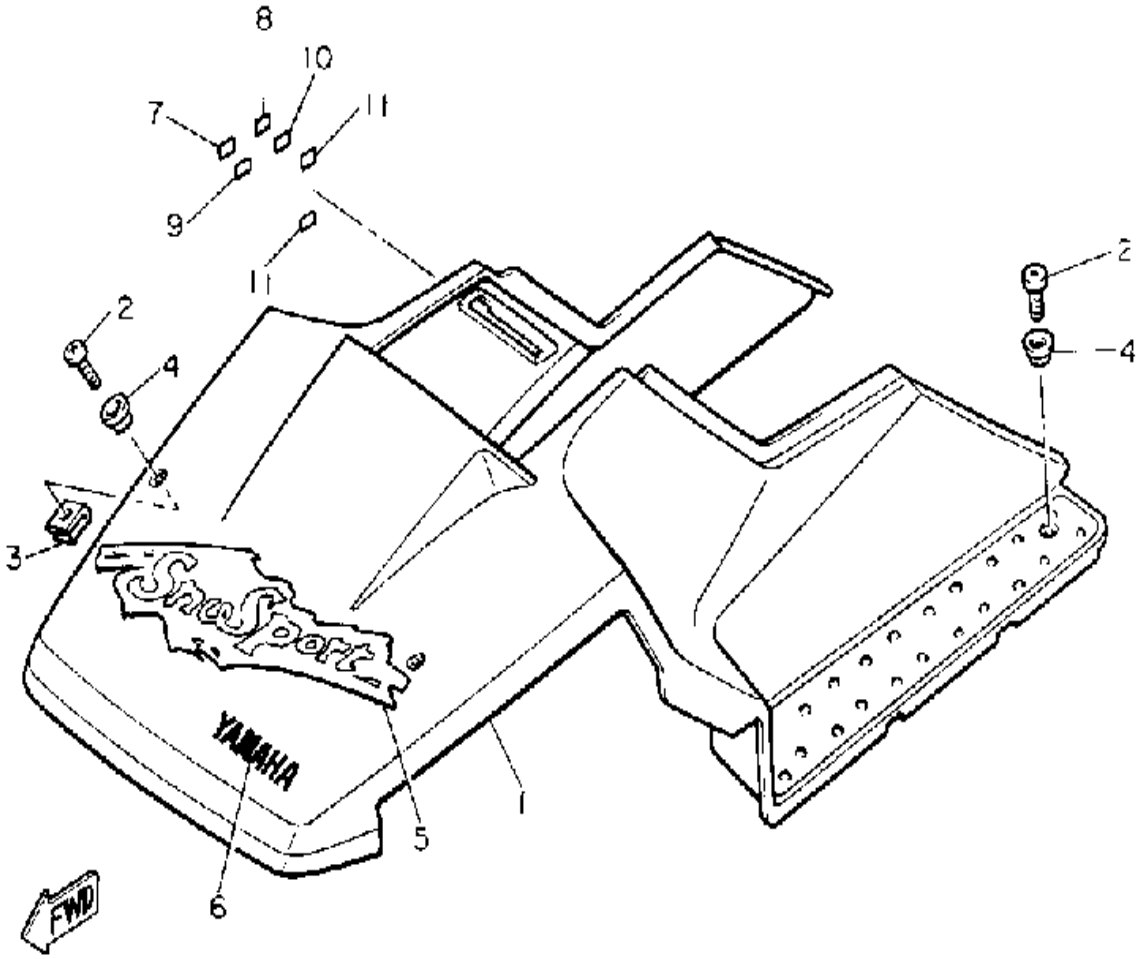


| Ref. No. | Part Number | Description | Qty | Remarks |
|----------|-----------------|-----------------------|-----|---------|
| 1 | 87A-24710-00-00 | SINGLE SEAT ASSEMBLY | 1 | |
| | 87A-24710-10-00 | SINGLE SEAT ASSEMBLY | 1 | |
| 2 | 87A-24731-00-00 | . COVER, DOUBLE SEAT | 1 | |
| | 87A-24731-10-00 | . COVER, DOUBLE SEAT | 1 | |
| 3 | 29U-24776-00-00 | . LEVER, SEAT | 1 | |
| 4 | 97501-06412-00 | . BOLT, W/WASHER | 1 | |
| 5 | 4K0-24775-00-00 | . BRACKET, SEAT LEVER | 1 | |
| 6 | 4K0-24774-01-00 | . PIN | 1 | |
| 7 | 90508-20454-00 | . SPRING, TORSION | 1 | |
| 8 | 99080-04600-00 | . CIRCLIP (E) | 1 | |

Not For Resale

www.SmallEngineDiscount.com

SHROUD



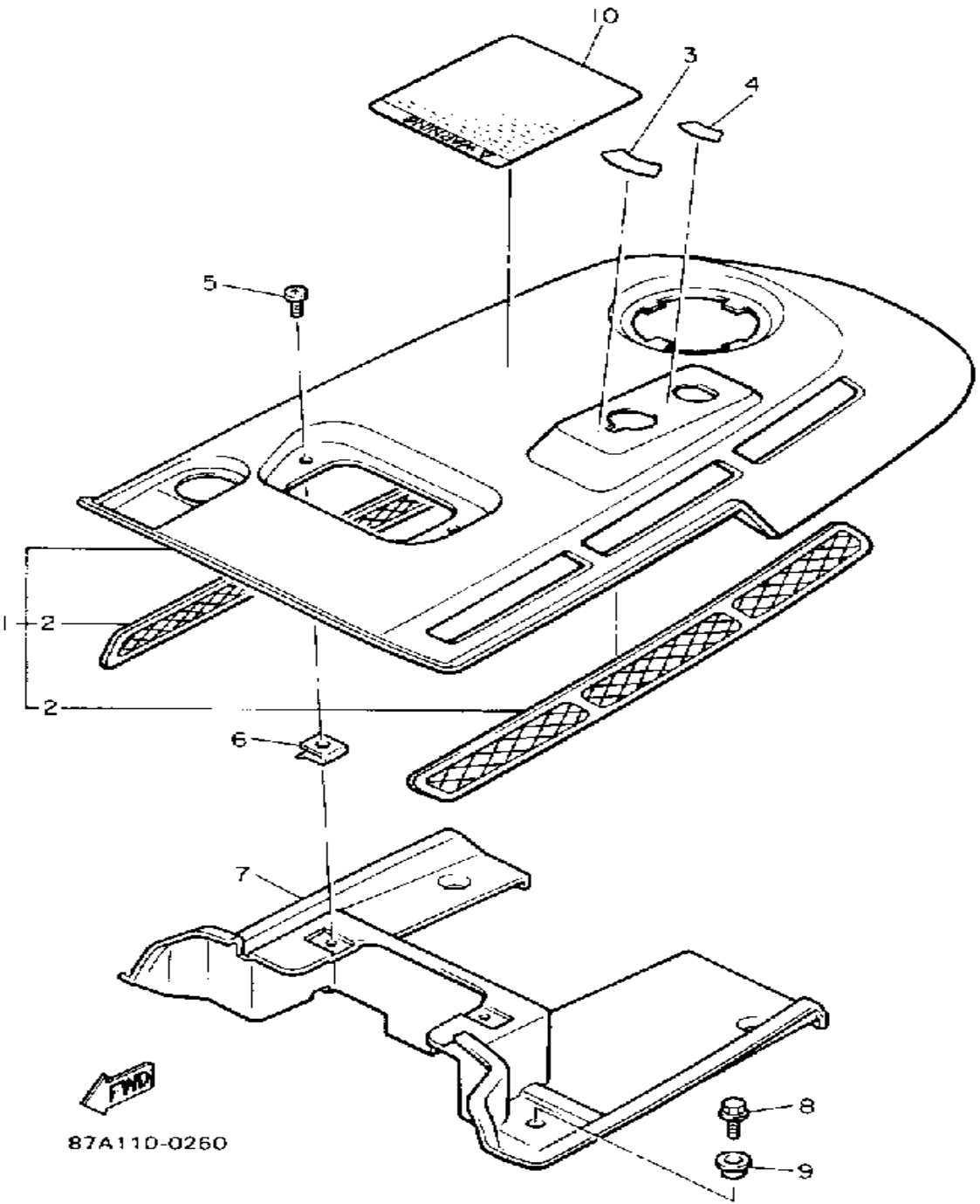
87A110-0240

| Ref. No. | Part Number | Description | Qty | Remarks |
|----------|-----------------|----------------------|-----|---------|
| 1 | 87A-77111-00-00 | SHROUD | 1 | |
| | 87A-77111-10-00 | SHROUD | 1 | |
| 2 | 98903-06016-00 | SCREW, BIND | 4 | |
| 3 | 90183-06023-00 | NUT, SPRING | 1 | |
| 4 | 90387-062M9-00 | COLLAR | 4 | |
| 5 | 87A-77351-00-00 | EMBLEM 1 | 1 | |
| | 87A-77351-10-00 | EMBLEM 1 | 1 | |
| 6 | 99241-00025-00 | EMBLEM, YAMAHA | 1 | |
| 7 | 87A-77743-00-00 | INDICATOR 3 | 1 | |
| 8 | 87A-77742-00-00 | INDICATOR 2 | 1 | |
| 9 | 87A-77741-00-00 | INDICATOR 1 | 1 | |
| 10 | 87A-77744-00-00 | INDICATOR 4 | 1 | |
| 11 | 87A-77745-00-00 | INDICATOR 5 | 2 | |

Not For Resale

www.SmallEngineDiscount.com

INSTRUMENT PANEL

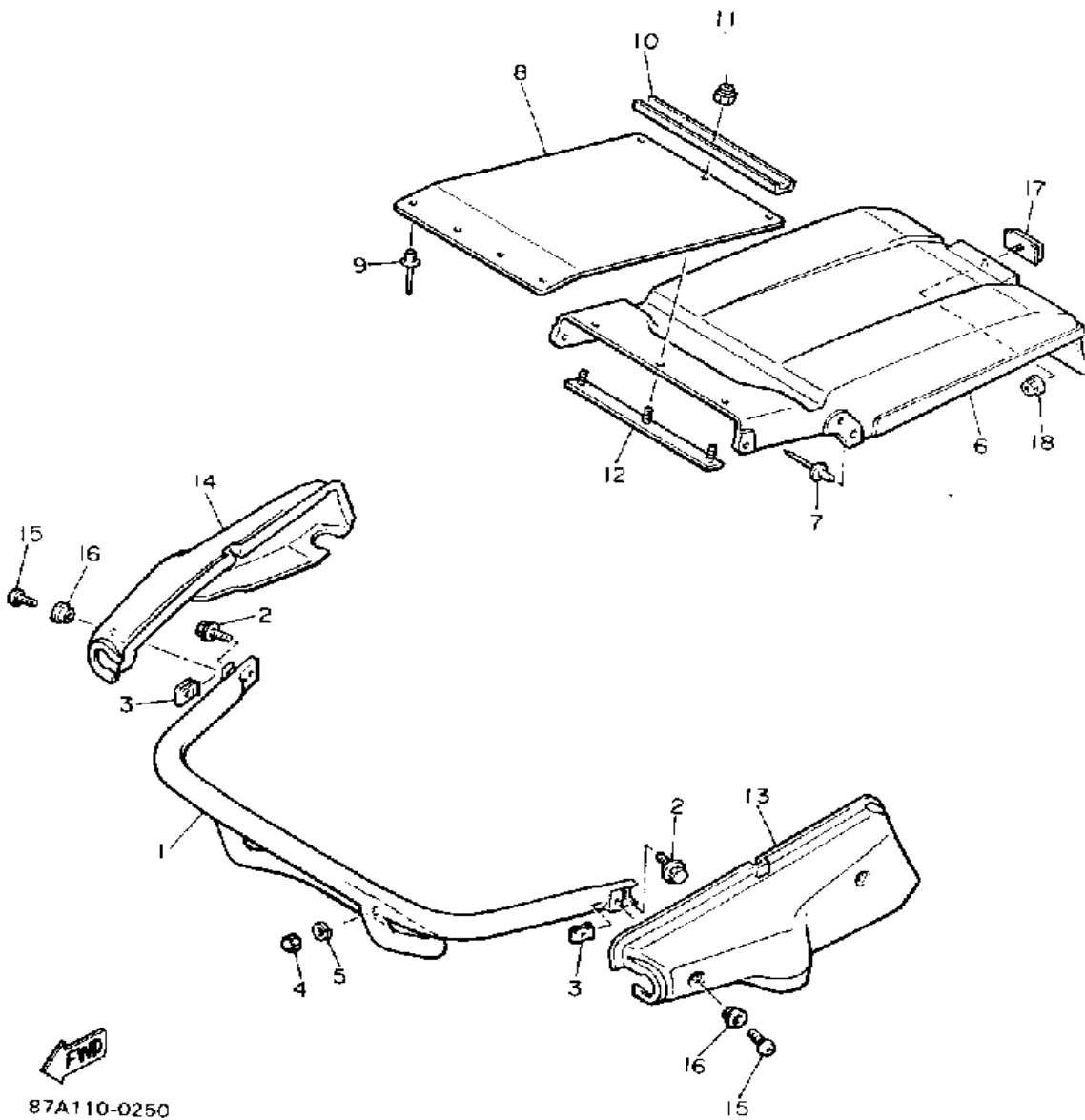


| Ref. No. | Part Number | Description | Qty | Remarks |
|----------|-----------------|------------------------|-----|---------|
| 1 | 87A-77710-00-00 | INSTRUMNT PNL ASSEMBLY | 1 | |
| 2 | 87A-77731-01-00 | . SHIELD 1 | 2 | |
| 3 | 8K2-77741-00-00 | INDICATOR 1 | 1 | |
| 4 | 8K4-77742-00-00 | INDICATOR 2 | 1 | |
| 5 | 97706-60016-00 | SCREW, TAPPING | 2 | |
| 6 | 90183-06041-00 | NUT, SPRING | 2 | |
| 7 | 87A-77712-00-00 | PANEL, INSTRUMENT | 1 | |
| 8 | 95816-06012-00 | BOLT, FLANGE | 2 | |
| 9 | 90387-062M9-00 | COLLAR | 2 | |
| 10 | 87A-77761-00-00 | LABEL, WARNING 1 | 1 | |

Not For Resale

www.SmallEngineDiscount.com

BUMPER

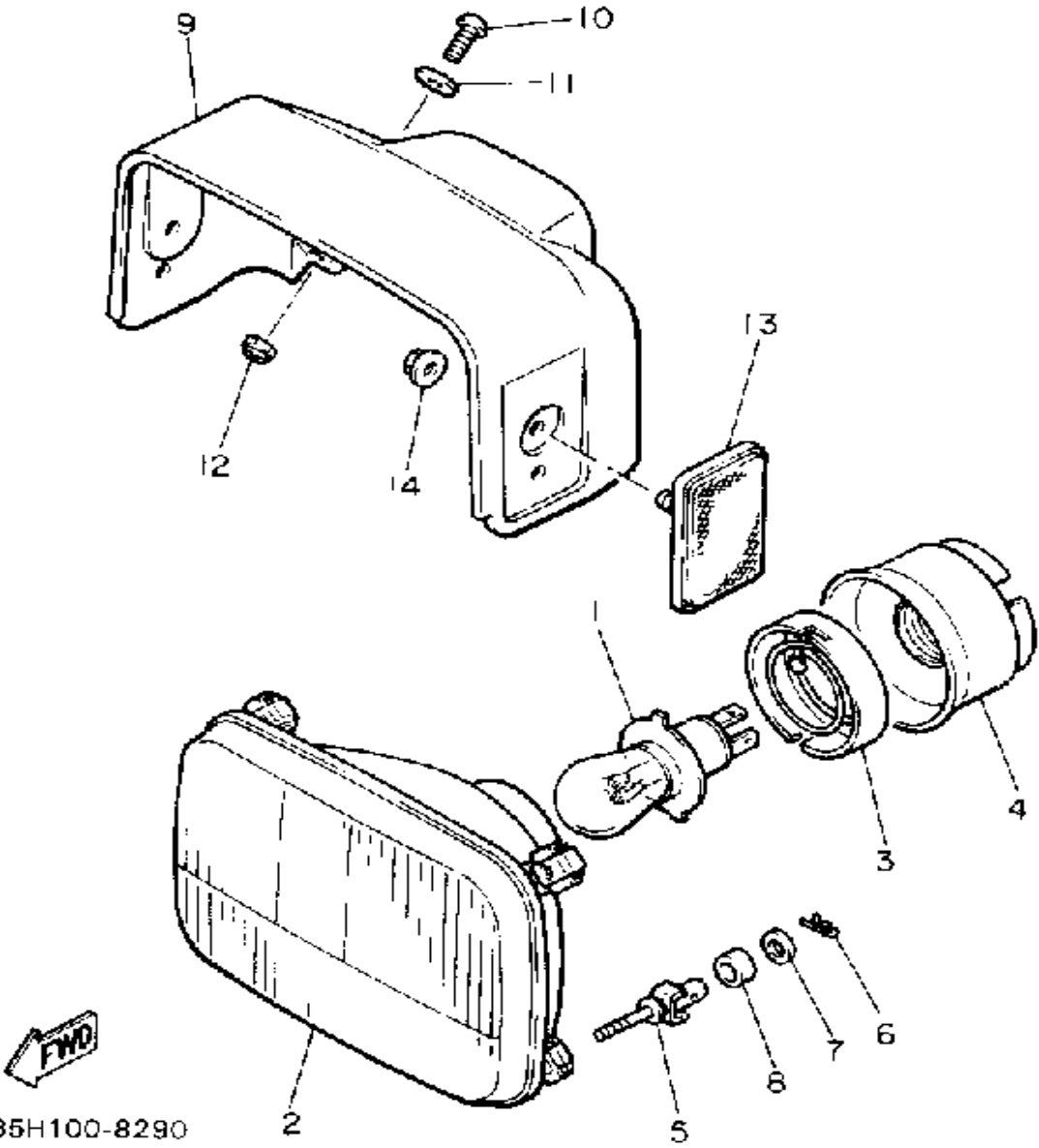


| Ref. No. | Part Number | Description | Qty | Remarks |
|----------|-----------------|-------------------------|-----|---------|
| 1 | 87A-77511-00-00 | BUMPER, FRONT 1 | 1 | |
| 2 | 95816-08016-00 | BOLT, FLANGE | 2 | |
| 3 | 90183-06053-00 | NUT, SPRING | 2 | |
| 4 | 95306-08800-00 | NUT (CROWN) | 1 | |
| 5 | 92906-08100-00 | WASHER, SPRING | 1 | |
| 6 | 85G-77564-00-00 | COVER, 4 | 1 | |
| 7 | 90267-48059-00 | RIVET, BLIND | 4 | |
| 8 | 87A-77595-00-00 | FLAP | 1 | |
| 9 | 90267-48104-00 | RIVET, BLIND | 4 | |
| 10 | 85G-77594-00-00 | PLATE, FLAP 2 | 1 | |
| 11 | 95706-06300-00 | NUT, NYLON | 3 | |
| 12 | 85G-77596-00-00 | STOPPER, FLAP | 1 | |
| 13 | 87A-77551-00-00 | PROTECTOR 1 | 1 | |
| 14 | 87A-77552-00-00 | PROTECTOR 2 | 1 | |
| 15 | 98906-06016-00 | SCREW, BIND | 4 | |
| 16 | 90387-061V4-00 | COLLAR | 4 | |
| 17 | 3Y6-85130-02-00 | REAR REFLECTOR ASSEMBLY | 1 | |
| 18 | 95701-05500-00 | NUT, FLANGE | 1 | |

Not For Resale

www.SmallEngineDiscount.com

HEADLIGHT

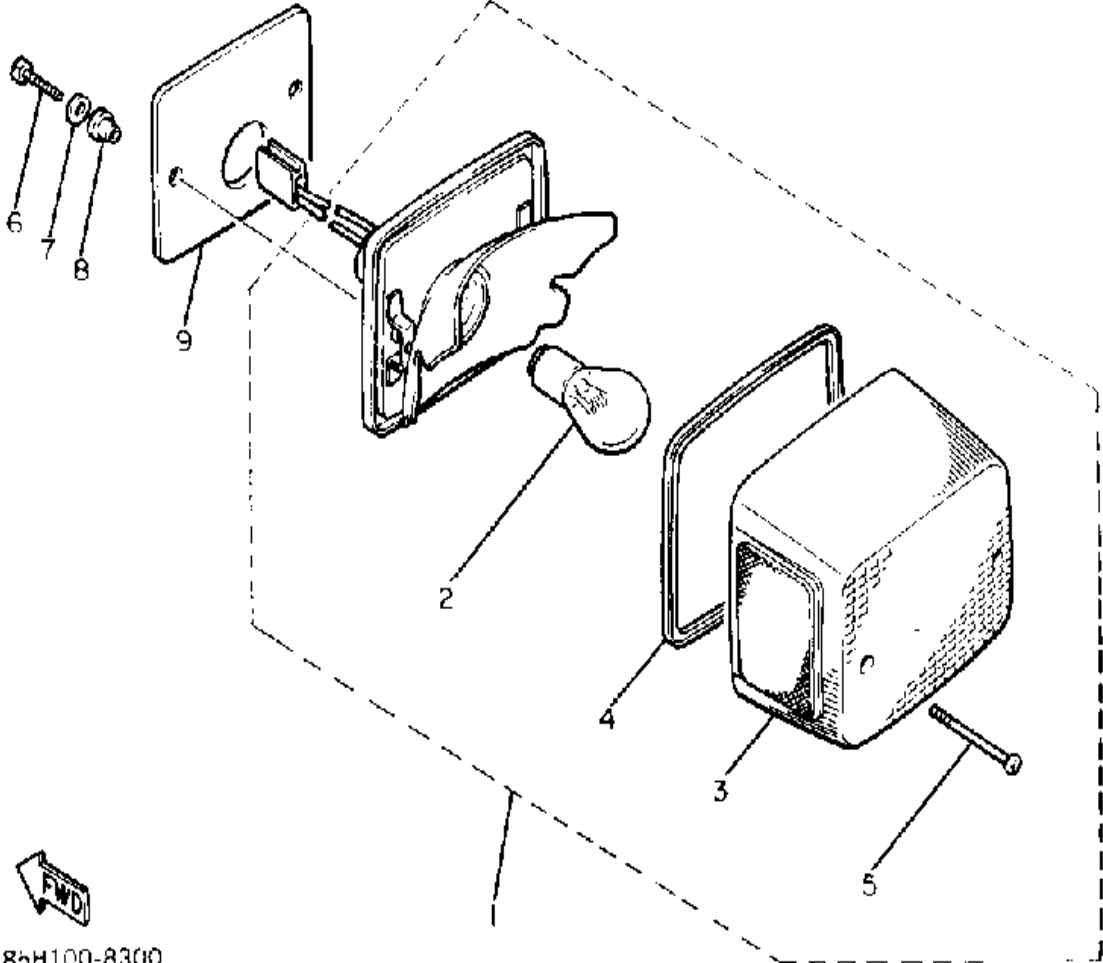


| Ref. No. | Part Number | Description | Qty | Remarks |
|----------|-----------------|----------------------|-----|---------|
| 1 | 8A7-84314-00-00 | BULB (12V-60/60W) | 1 | |
| 2 | 85G-84320-00-00 | LENS ASSEMBLY | 1 | |
| 3 | 8A7-84312-00-00 | HOLDER, SOCKET | 1 | |
| 4 | 8A7-84397-01-00 | COVER, SOCKET | 1 | |
| 5 | 8V0-84331-00-00 | SCREW, RIM ADJUSTING | 4 | |
| 6 | 8V0-84374-00-00 | CLIP | 4 | |
| 7 | 8V0-84327-00-00 | WASHER, SPECIAL | 4 | |
| 8 | 8V0-84366-00-00 | DAMPER, HEADLIGHT 1 | 4 | |
| 9 | 85G-84311-00-00 | BODY, HEADLIGHT | 1 | |
| 10 | 98506-06035-00 | SCREW, PAN HEAD | 2 | |
| 11 | 92906-06200-00 | WASHER | 2 | |
| 12 | 95706-06300-00 | NUT, NYLON | 2 | |
| 13 | 23V-85110-00-00 | REFLECTOR ASSEMBLY | 2 | |
| 14 | 95701-05500-00 | NUT, FLANGE | 2 | |

Not For Resale

www.SmallEngineDiscount.com

TAILLIGHT



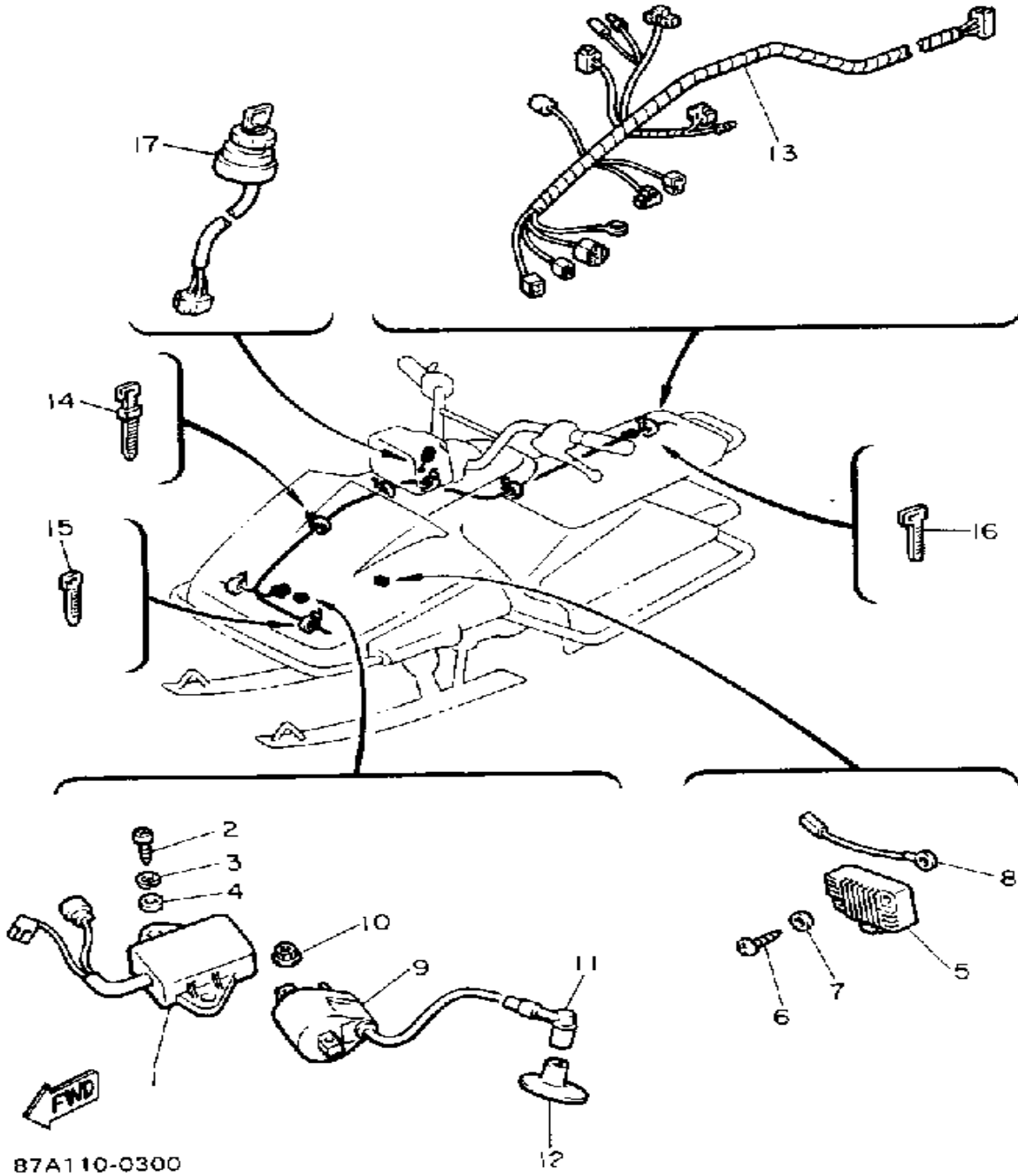
85H100-8300

| Ref. No. | Part Number | Description | Qty | Remarks |
|----------|-----------------|--|-----|---------|
| 1 | 85G-84710-00-00 | TAILLIGHT UNIT ASSEMBLY .. | 1 | |
| 2 | 137-84714-61-00 | . BULB, TL 12V23/8W (J50-83311-00) | 1 | |
| 3 | 85G-84721-00-00 | . LENS, TAILLIGHT | 1 | |
| 4 | 1M1-84523-60-00 | . GASKET, LENS | 1 | |
| 5 | 1M1-84524-60-00 | . SCREW, LENS FITTING | 1 | |
| 6 | 1M1-84526-60-00 | SCREW | 2 | |
| 7 | 90201-08103-00 | WASHER, PLAIN | 2 | |
| 8 | 1M1-84527-60-00 | DAMPER | 2 | |
| 9 | 1M1-84512-60-00 | SEAT, BASE | 1 | |

Not For Resale
www.SmallEngineDiscount.com

ELECTRICAL 1

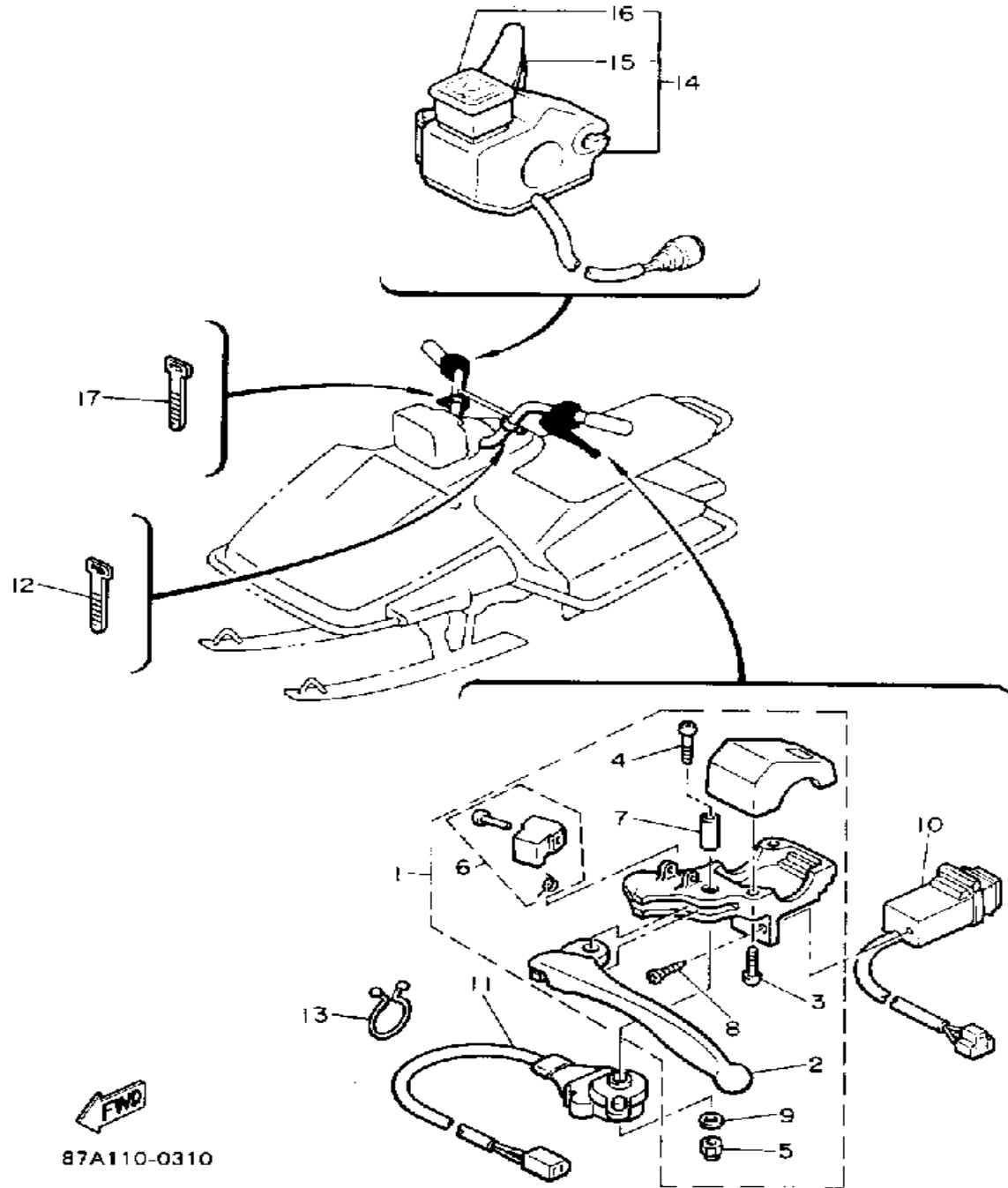
| Ref. No. | Part Number | Description | Qty | Remarks |
|----------|-----------------|------------------------|-----|---------|
| 1 | 87A-85540-00-00 | CDI UNIT ASSEMBLY | 1 | |
| 2 | 98580-06020-00 | SCREW | 2 | |
| 3 | 92995-06100-00 | WASHER, SPRING | 2 | |
| 4 | 92990-06600-00 | WASHER, PLATE | 2 | |
| 5 | 85G-81960-60-00 | RECT/REG ASSEMBLY | 1 | |
| 6 | 98580-05016-00 | SCREW, PAN HEAD | 1 | |
| 7 | 92990-05100-00 | WASHER, SPRING | 1 | |
| 8 | 87A-82318-00-00 | WIRE, SUB-LEAD | 1 | |
| 9 | 86B-82310-00-00 | IGNITION COIL ASSEMBLY | 1 | |
| 10 | 95701-06500-00 | NUT, FLANGE | 2 | |
| 11 | 85G-82370-20-00 | PLUG CAP ASSEMBLY | 1 | |
| 12 | 50W-82372-00-00 | SEAL, PLUG CAP | 1 | |
| 13 | 87A-82590-00-00 | WIRE HARNESS ASSEMBLY | 1 | |
| 14 | 437-83936-11-00 | BAND, SWITCH CORD | 5 | |
| 15 | 5Y9-12491-00-00 | CLAMP 1 | 2 | |
| 16 | 437-83936-11-00 | BAND, SWITCH CORD | 1 | |
| 17 | 8K4-82508-20-00 | MAIN SWITCH ASSEMBLY | 1 | |



Not For Resale

www.SmallEngineDiscount.com

ELECTRICAL 2



| Ref. No. | Part Number | Description | Qty | Remarks |
|----------|-----------------|--|-----|---------|
| 1 | 88R-W8291-00-00 | LEVER HOLDER ASSEMBLY (LEFT) | 1 | |
| 2 | 8H8-83912-00-00 | . LEVER 1 | 1 | |
| 3 | 90157-05027-00 | . SCREW, PAN HEAD | 2 | |
| 4 | 98501-05040-00 | . SCREW, PAN HEAD (98502-05040) | 1 | |
| 5 | 95701-05300-00 | . NUT, NYLON | 1 | |
| 6 | 82A-83930-00-00 | . LEVER LOCK ASSEMBLY | 1 | |
| 7 | 802-83913-00-00 | . COLLAR, LEVER 1 | 1 | |
| 8 | 97780-30312-00 | . SCREW, tapping | 2 | |
| 9 | 92990-05200-00 | . WASHER, PLAIN | 1 | |
| 10 | 8H8-83950-01-00 | BEAM SWITCH ASSEMBLY (8K4-83950-01-00) | 1 | |
| 11 | 8R4-82530-00-00 | STOP SWITCH ASSEMBLY | 1 | |
| 12 | 437-83936-01-00 | BAND, SWITCH CORD | 1 | |
| 13 | 90464-23041-00 | CLAMP | 1 | |
| 14 | 85G-82720-00-00 | LVR HOLDER ASSEMBLY RT | 1 | |
| 15 | 8V0-42138-00-00 | . LEVER, THROTTLE | 1 | |
| 16 | 85G-82575-09-00 | . KILL SWITCH | 1 | |
| 17 | 437-83936-01-00 | BAND, SWITCH CORD | 1 | |

Not For Resale

www.SmallEngineDiscount.com