



**YAMAHA**

**GENUINE**

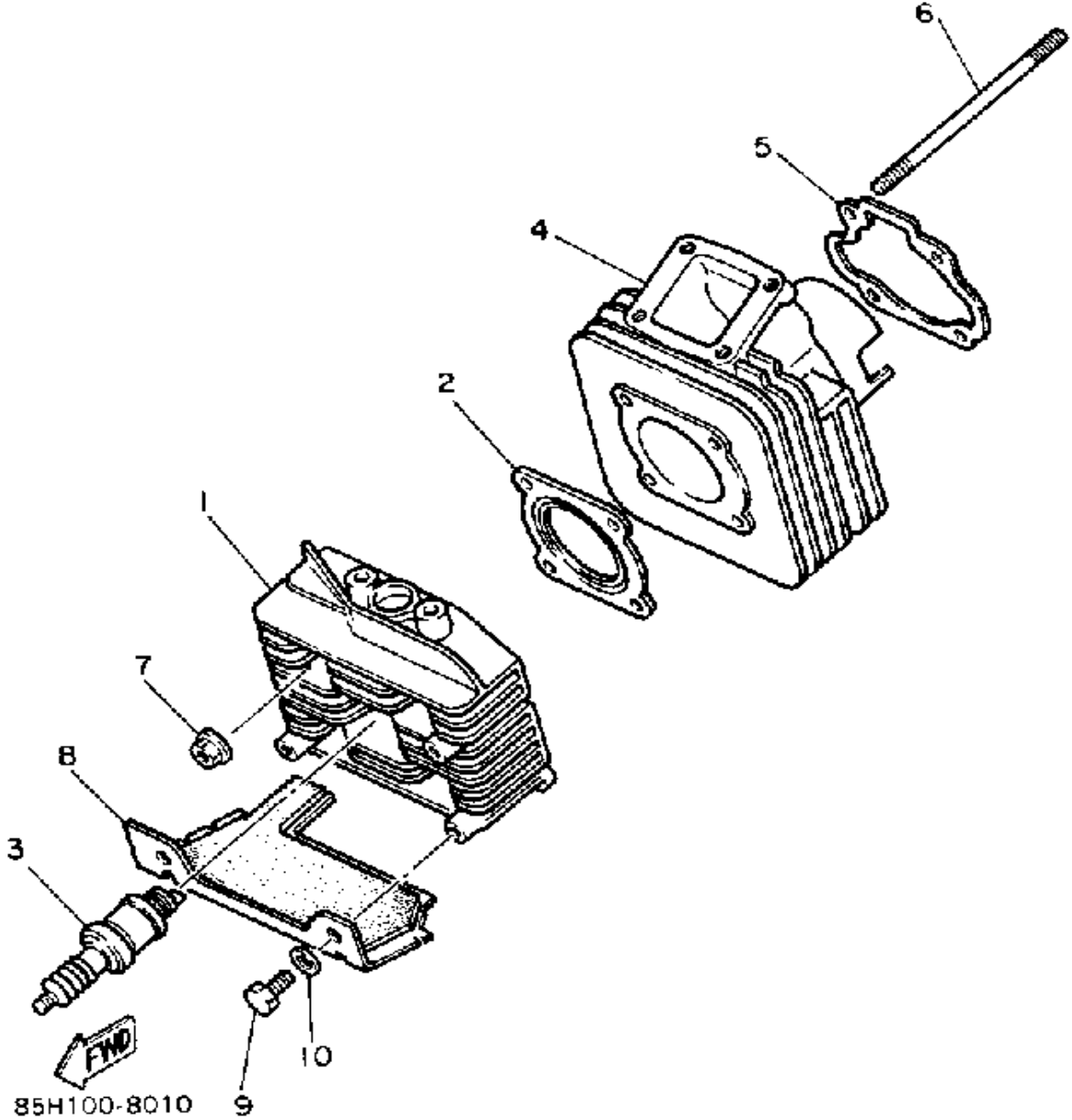
**PARTS CATALOGUE**

**SNOWMOBILE**

Not For Resale

[www.SmallEngineDiscount.com](http://www.SmallEngineDiscount.com)

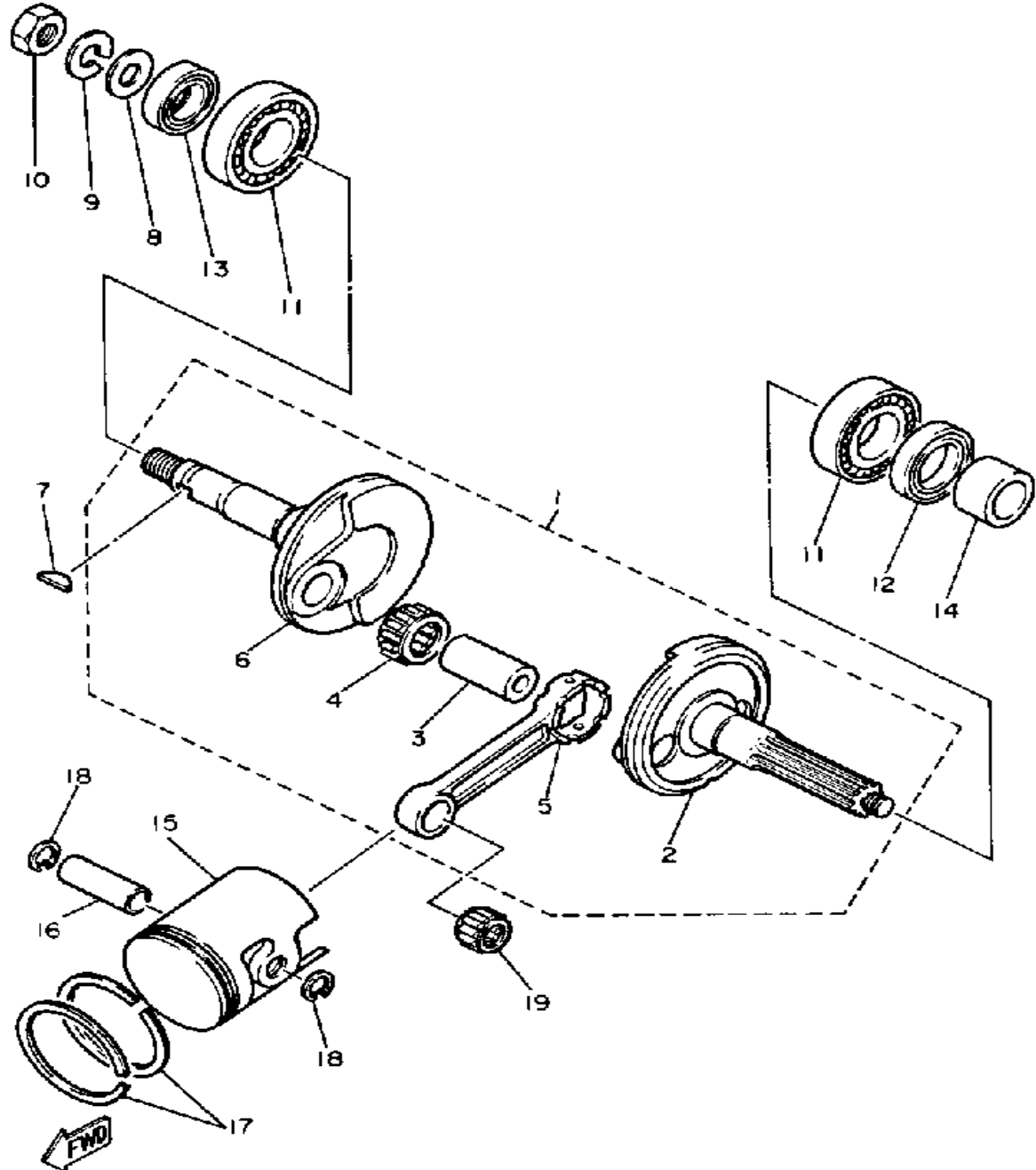
# CYLINDER



Ref. No.	Part Number	Description	Qty	Remarks
1	32N-11111-00-00	HEAD, CYLINDER 1	1	
2	3M8-11181-00-00	GASKET, CYLINDER HEAD 1	1	
3	NGK-BR8HS-00-00	PLUG, SPARK	1	
4	32N-11311-00-00	CYLINDER 1	1	
5	3WX-11351-00-00	GASKET, CYLINDER	1	
6	90116-07356-00	BOLT, STUD	4	
7	90179-07381-00	NUT	4	
8	85G-1111H-00-00	COVER, CYLHEAD SIDE	1	
9	97313-06016-00	BOLT, HEXAGON	1	
10	92901-06600-00	WASHER	1	

Not For Resale  
www.SmallEngineDiscount.com

# CRANKSHAFT - PISTON



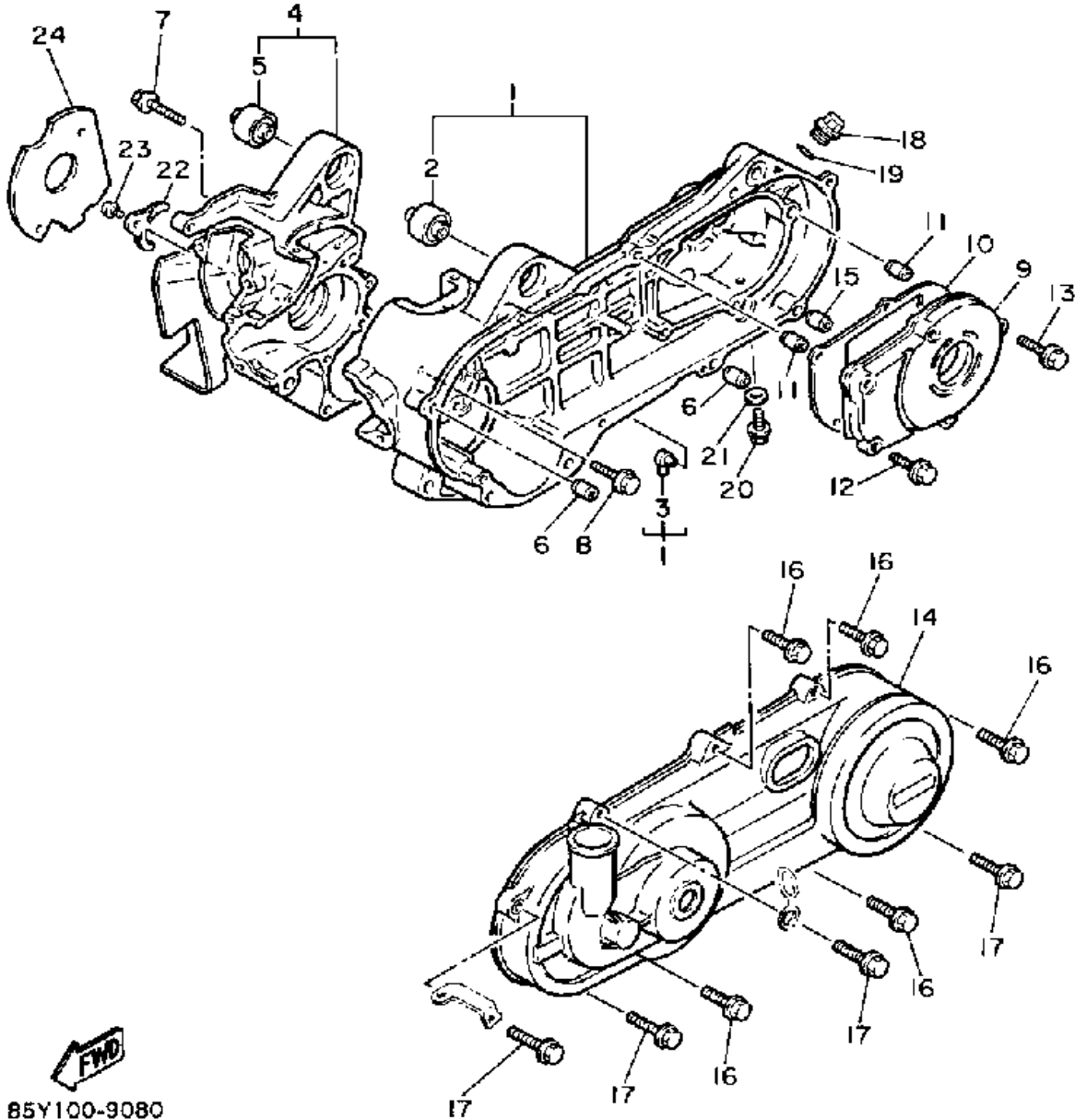
85H100-8020

Ref. No.	Part Number	Description	Qty	Remarks
1	85G-11400-00-00	CRANKSHAFT ASSEMBLY	1	
2	85G-11412-00-00	. CRANK 1	1	
3	257-11681-00-00	. PIN, CRANK 1	1	
4	93310-418T0-00	. BEARING, CYLINDRICAL	1	
5	3R1-11651-01-00	. ROD, CONNECTING	1	
7	90280-03017-00	KEY, WOODRUFF	1	
8	92990-12600-00	WASHER, PLATE	1	
9	92901-12100-00	WASHER, SPRING	1	
10	95303-12600-00	NUT	1	
11	93306-20458-00	BEARING	2	
12	93102-26398-00	OIL SEAL, SD-TYPE	1	
13	93102-20397-00	OIL SEAL, SD-TYPE	1	
14	90387-170G9-00	COLLAR	1	
15	3M8-11631-01-96	PISTON STD	1	UR STD
	3M8-11636-01-00	PISTON 2 O/S 0.0	1	AP
16	527-11633-00-00	PIN, PISTON	1	
17	2GM-11610-00-00	PISTON RING SET	1	UR STD
	2GM-11610-20-00	RINGSET (2ND O/S)	1	AP
18	93450-13022-00	CIRCLIP	2	
19	93310-11268-00	BEARING	1	

Not For Resale

www.SmallEngineDiscount.com

# CRANKCASE

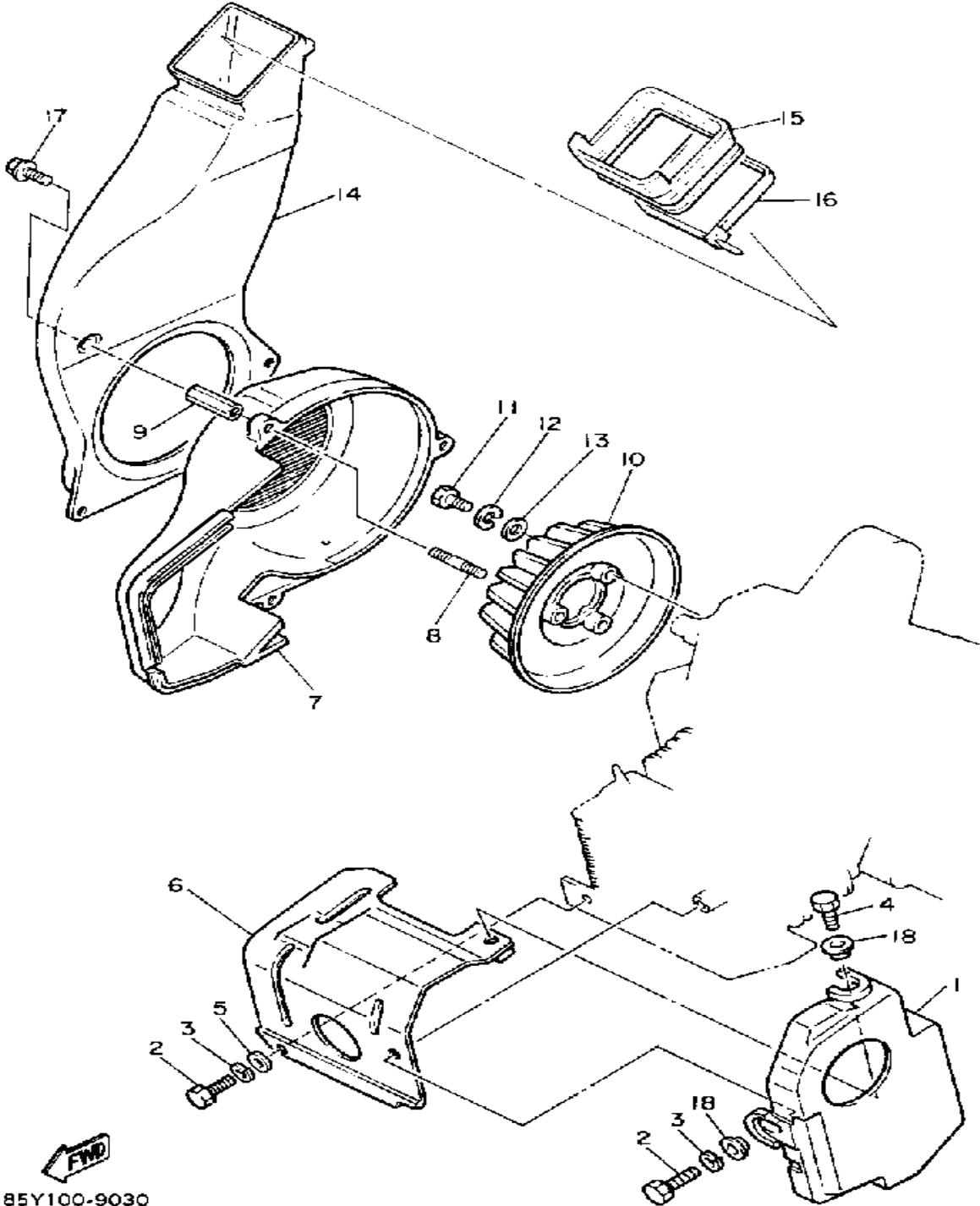


Ref. No.	Part Number	Description	Qty	Remarks
1	85G-15110-00-00	CRANKCASE ASSEMBLY 1	1	
2	85G-15316-01-00	. DAMPER, ENG. MOUNT	1	
3	J38-11116-00-00	. JOINT, BREATHER	1	
4	85G-15120-00-00	CRANKCASE ASSEMBLY 2	1	
5	85G-15316-01-00	. DAMPER, ENG. MOUNT	1	
6	99510-12016-00	PIN, DOWEL	2	
7	95021-06045-00	BOLT, FLANGE	5	
8	95023-06035-00	BOLT, FLANGE	1	
9	5G3-15421-00-00	COVER, CRANKCASE R	1	
10	88W-15461-00-00	GASKET, CRCS CVR 2	1	
11	99530-10014-00	PIN, DOWEL	2	
12	95023-06025-00	BOLT, FLANGE	3	
13	95023-06035-00	BOLT, FLANGE	2	
14	85H-W1541-00-00	C/C COVER ASSEMBLY 1 (BLK)	1	
15	99530-10014-00	PIN, DOWEL	2	
16	95026-06030-00	BOLT, FLANGE	5	
17	95026-06040-00	BOLT, FLANGE	4	
18	90340-14119-00	PLUG, STRAIGHT SCREW	1	
19	93210-14104-00	O-RING	1	
20	95811-08016-00	BOLT, FLANGE	1	
21	90201-08087-00	WASHER, PLATE	1	
22	(5G3-15128-00-00)	HOLDER	1	
23	98580-06012-00	SCREW, PAN HEAD	1	
24	88W-15462-00-00	GASKET, CRANKCASE	1	

85Y100-9080

Not For Resale  
[www.SmallEngineDiscount.com](http://www.SmallEngineDiscount.com)

# AIR SHROUD - FAN

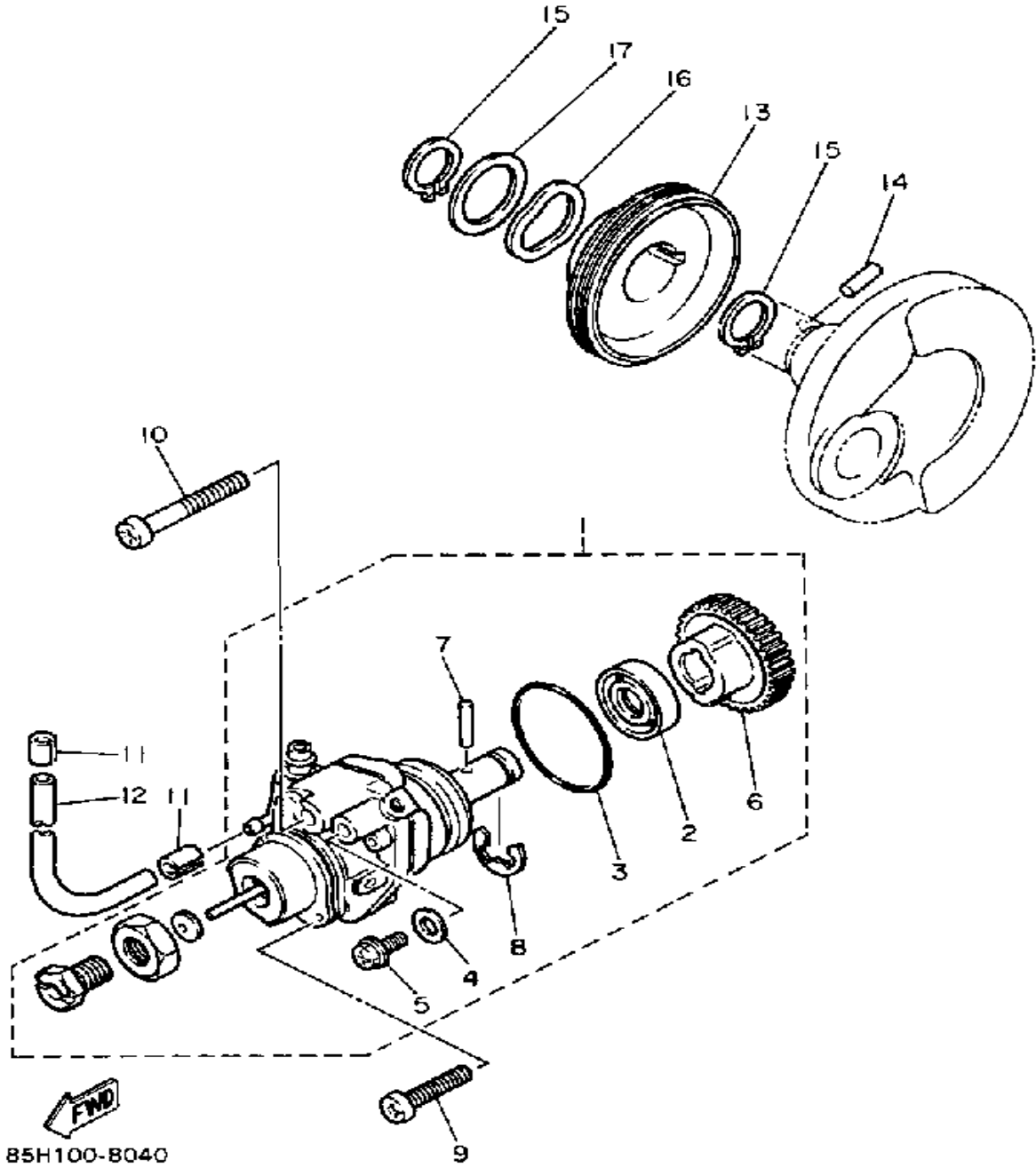


Ref. No.	Part Number	Description	Qty	Remarks
1	85X-12651-00-00	AIR SHROUD, CYLINDER 1 ...	1	
2	97011-06016-00	BOLT	2	
3	92995-06100-00	WASHER, SPRING	2	
4	97313-06016-00	BOLT, HEXAGON	1	
5	92901-06600-00	WASHER	1	
6	85G-12652-00-00	AIR SHROUD, CYLINDER 2 ...	1	
7	85G-12653-00-00	AIR SHROUD, CYLINDER 3 ...	1	
8	90116-06475-00	BOLT, STUD	3	
9	90179-06562-00	NUT, SPEC'L SHAPE	3	
10	5G3-12611-00-00	FAN	1	
11	97011-06016-00	BOLT	3	
12	92995-06100-00	WASHER, SPRING	3	
13	92990-06600-00	WASHER, PLATE	3	
14	85G-12693-00-00	DUCT 3	1	
15	85G-12686-01-00	DAMPER, DUCT 3	1	
16	90464-14117-00	CLAMP	1	
17	95811-06012-00	BOLT, FLANGE	3	
18	90387-062M9-00	COLLAR	2	

FWD  
85Y100-9030

Not For Resale  
www.SmallEngineDiscount.com

# OIL PUMP

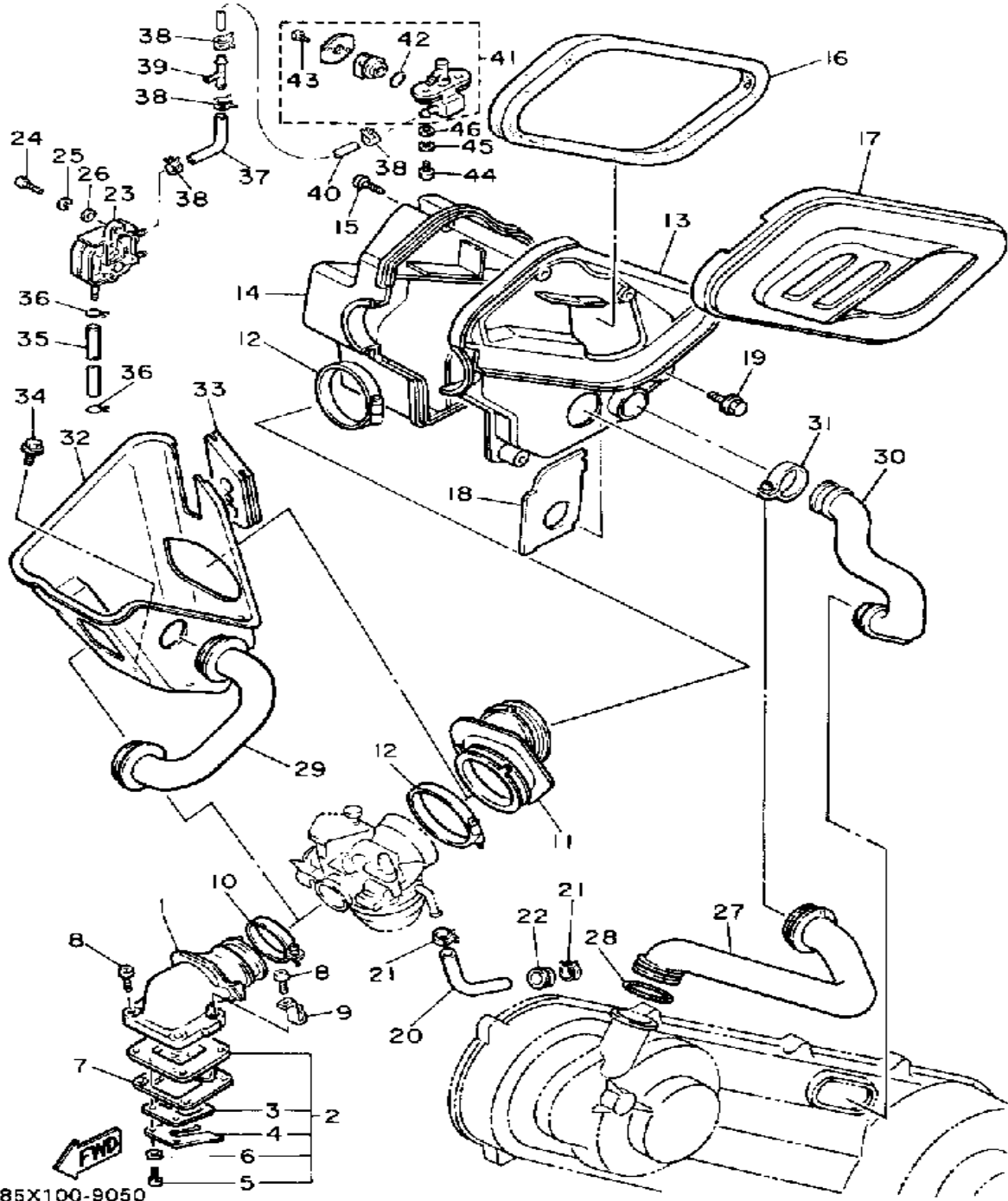


Ref. No.	Part Number	Description	Qty	Remarks
1	85G-13101-00-00	OIL PUMP ASSEMBLY	1	
2	93101-10090-00	. OIL SEAL	1	
3	93210-26240-00	. O-RING	1	
4	90430-04004-00	. GASKET	1	
5	90149-04135-00	. SCREW	1	
6	296-13124-00-00	. GEAR, WORM WHEEL	1	
7	91690-30014-00	. PIN, SPRING	1	
8	99080-07600-00	. CIRCLIP (E)	1	
9	98511-05020-00	SCREW, PAN HEAD	1	
10	98501-05035-00	SCREW, PAN HEAD	1	
11	90468-02025-00	CLIP	2	
12	91A30-03036-00	HOSE	1	
13	5G3-13178-01-00	GEAR, PUMP DRIVE	1	
14	93603-12007-00	PIN, DOWEL	1	
15	99009-19400-00	CIRCLIP	2	
16	90206-19027-00	WASHER, WAVE	1	
17	296-15644-00-00	SHIM	1	

85H100-8040

Not For Resale  
www.SmallEngineDiscount.com

# AIR CLEANER



85X100-9050

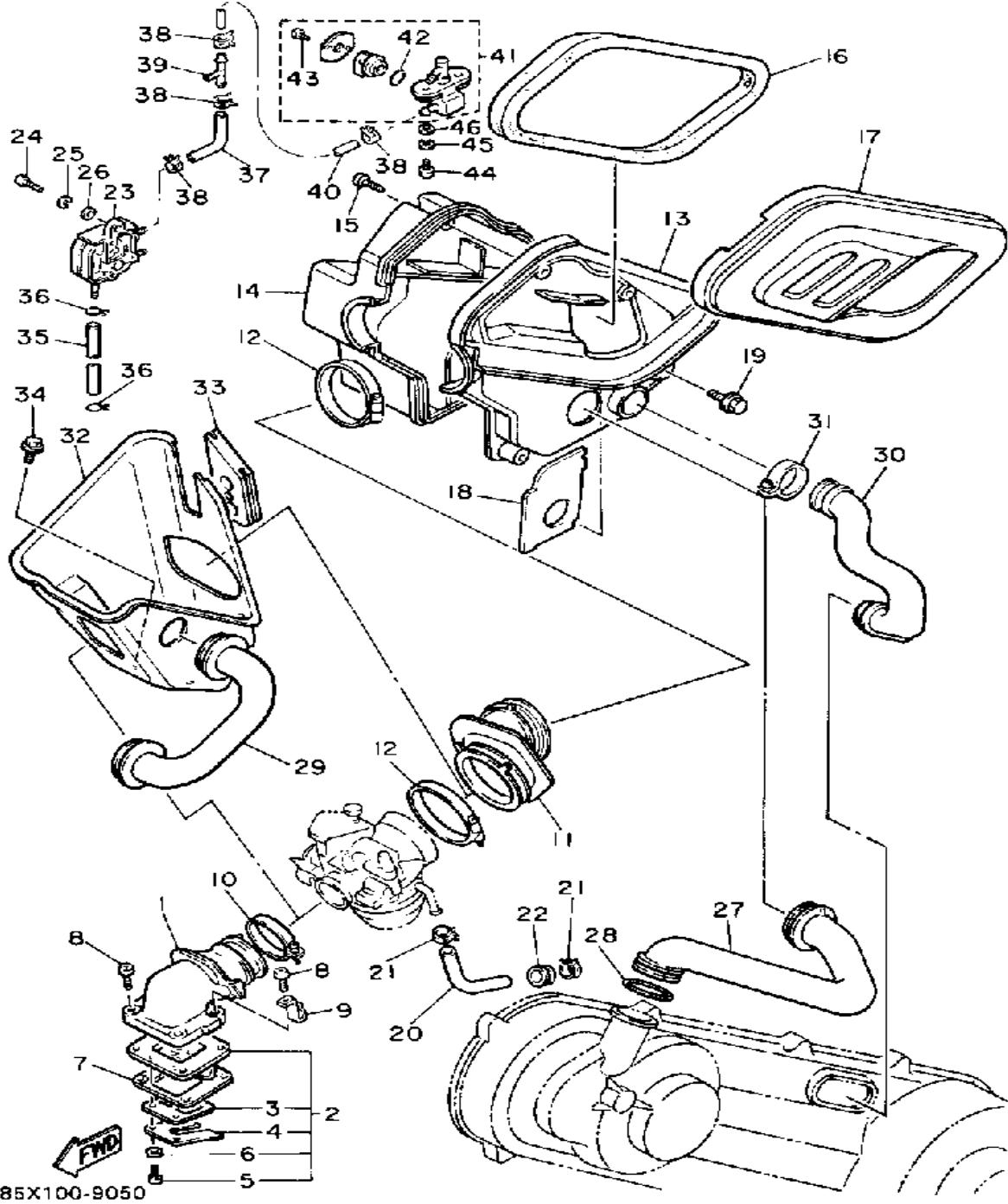
Ref. No.	Part Number	Description	Qty	Remarks
1	85G-13555-00-00	MANIFOLD, INTAKE	1	
2	32N-13610-00-00	REED VALVE ASSEMBLY	1	
3	314-13613-01-00	. REED, VALVE	1	
4	10X-13616-00-00	. STOPPER, REED VALVE	1	
5	98580-03008-00	. SCREW, PAN HEAD	3	
6	92990-03100-00	. WASHER, SPRING (92901-03100)	3	
7	88W-13621-00-00	GASKET, VALVE SEAT	1	
8	98511-06025-00	SCREW PAN HEAD (92501-06025)	4	
9	90465-06332-00	CLAMP	1	
10	90460-39052-00	CLAMP, HOSE	1	
11	85G-14453-00-00	JOINT, AIR CLNR 1	1	
12	90460-56105-00	CLAMP, HOSE	2	
13	85G-14431-00-00	SILENCER, INTAKE 1	1	
14	85G-14441-00-00	SILENCER, INTAKE 2	1	
15	97780-50125-00	SCREW, TAPPING	4	
16	85G-14451-00-00	ELEMENT, AIR CLNR	1	
17	(85G-1441A-00-00)	COVER, CLNR CASE 1	1	
18	85G-14477-00-00	PLATE	1	
19	95811-06016-00	BOLT, FLANGE (95822-06016)	1	
20	90446-11265-00	HOSE (8V0)	1	
21	90467-11044-00	CLIP	2	
22	90480-15257-00	GROMMET	1	
23	8R4-24410-00-00	FUEL PUMP ASSEMBLY	1	
24	98580-05016-00	SCREW, PAN HEAD	1	
25	92990-05100-00	WASHER, SPRING	1	
26	92901-05600-00	WASHER, PLATE	1	
27	85G-14463-00-00	JOINT, AIR CLNR 2	1	

CONTINUED ON NEXT FRAME ►

Not For Resale  
www.SmallEngineDiscount.com



# AIR CLEANER



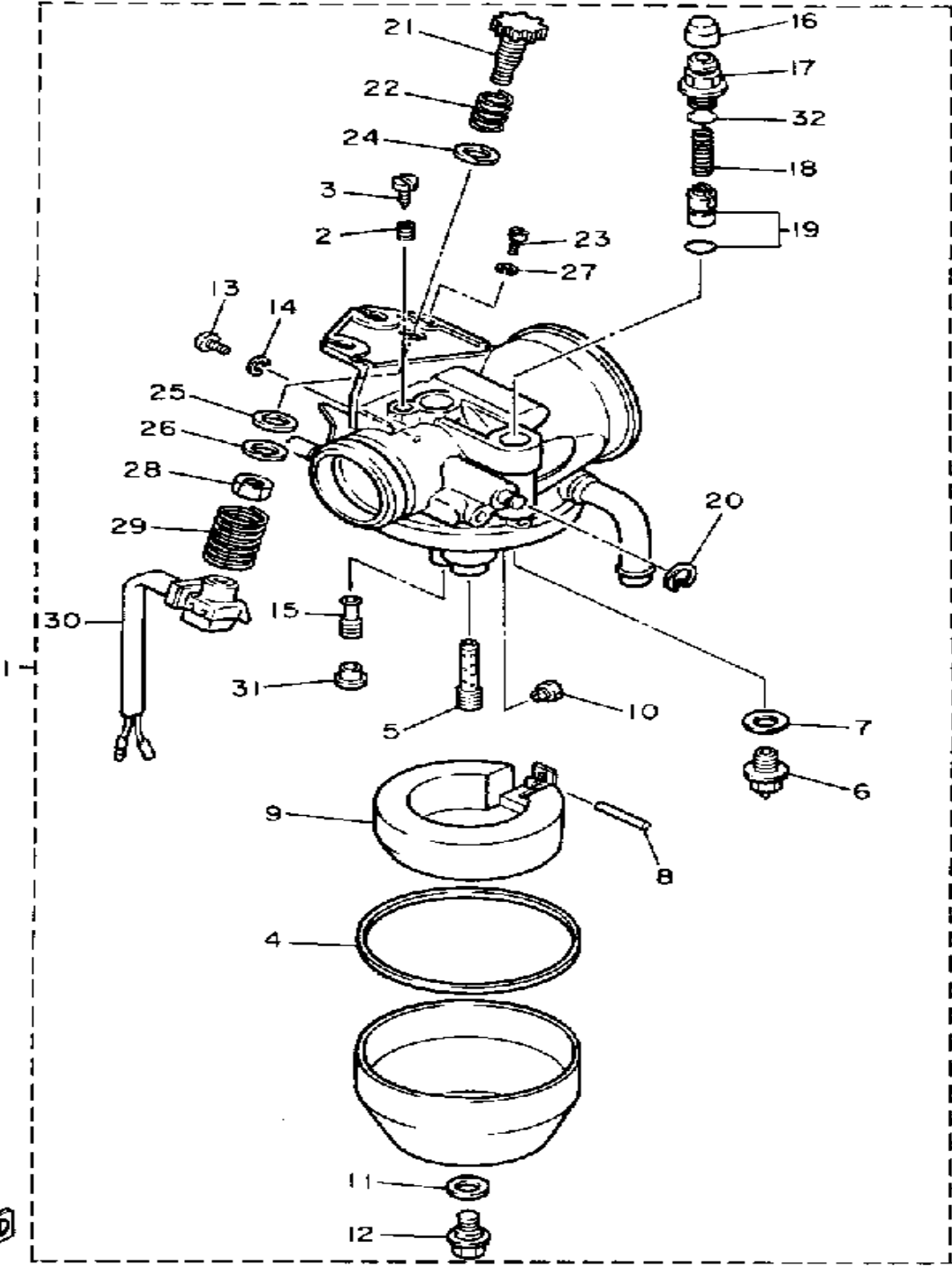
Ref. No.	Part Number	Description	Qty	Remarks
28	90506-06326-00	SPRING, TENSION .....	1	
29	85X-14437-00-00	DUCT .....	1	
30	85X-1443A-00-00	DUCT .....	1	
31	90460-39052-00	CLAMP, HOSE .....	1	
32	85G-14284-01-00	COVER, CARBURETOR 2 ....	1	
33	85G-14435-00-00	GROMMET .....	1	
34	95811-06012-00	BOLT, FLANGE .....	2	
35	90445-10345-00	HOSE .....	1	
36	90467-09006-00	CLIP .....	2	
37	90446-11018-00	HOSE .....	1	
38	90467-11044-00	CLIP .....	4	
39	815-24379-00-00	PIPE, JOINT 4 .....	1	
40	90446-11287-00	HOSE .....	1	
41	85G-24500-00-00	FUEL COCK ASSEMBLY .....	1	
42	4X8-24534-00-00	. SEAL, COCK .....	1	
43	98580-03008-00	. SCREW, PAN HEAD .....	2	
44	98580-05010-00	SCREW, PAN HEAD .....	2	
45	92990-05100-00	WASHER, SPRING .....	2	
46	92901-05600-00	WASHER, PLATE .....	2	

Not For Resale

www.SmallEngineDiscount.com



# CARBURETOR



85H100-8060

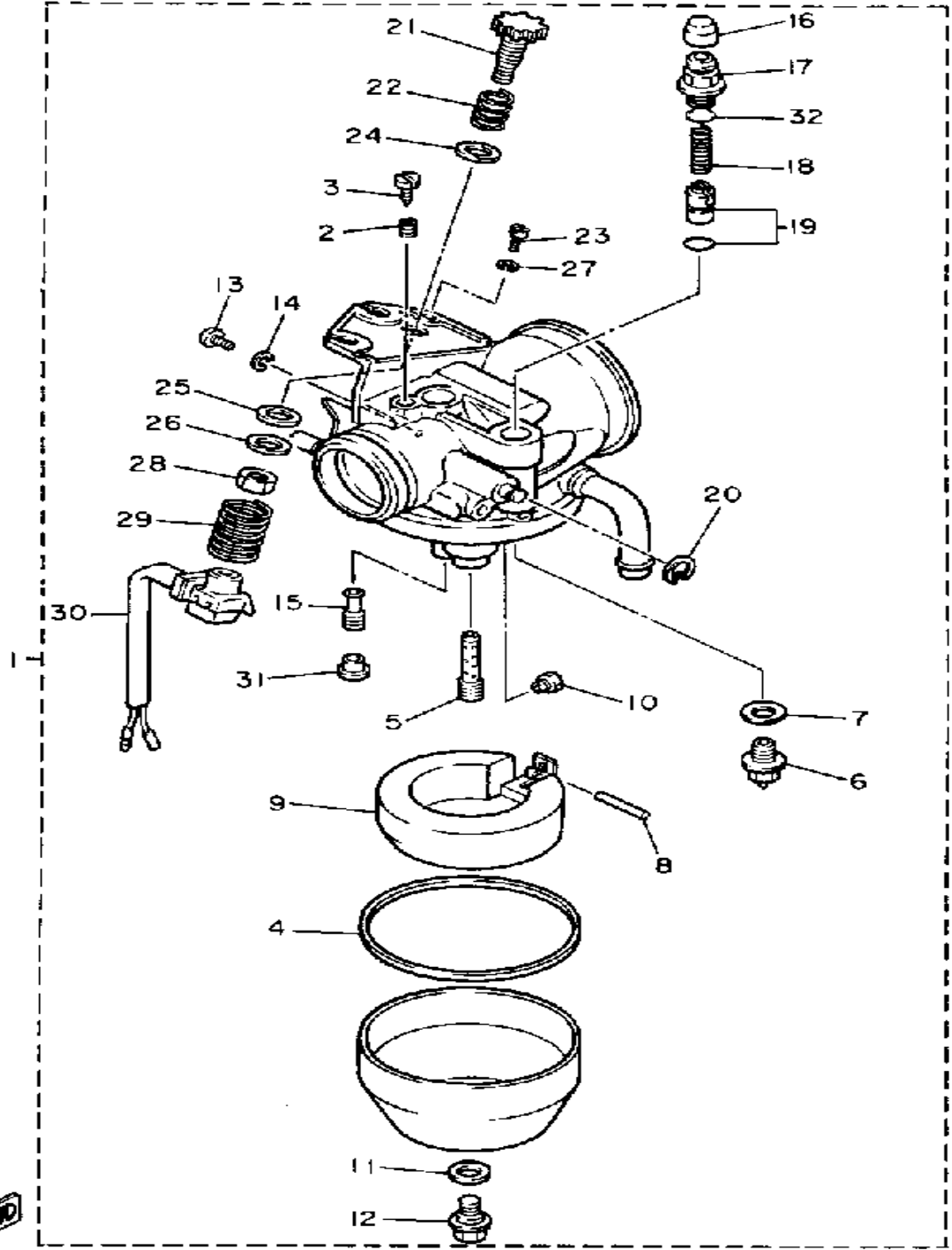
Ref. No.	Part Number	Description	Qty	Remarks
1	85X-14101-01-00	CARBURETOR ASSEMBLY 1	1	
2	8Y2-14134-00-00	. SPRING, AIR ADJUST	1	
3	85G-14211-10-00	. SCREW, PILOT ADJUST	1	
4	85G-14126-00-00	. GASKET	1	
5	85G-14941-7E-00	. NOZZLE, MAIN	1	
6	168-14190-10-00	. NEEDLE VALVE ASSEMBLY	1	
7	214-14195-00-00	. WASHER, NEEDLE VALVE	1	
8	7G0-14548-00-00	. PIN, FLOAT ARM	1	
9	85G-14185-01-00	. FLOAT	1	
10	3G2-14231-20-00	. JET, PILOT AIR (#100)	1	UR
	3G2-14231-21-00	. JET, MAIN #105 (#105)	1	
	3G2-1423A-71-00	. JET, MAIN (#102.5)	1	UR
	3G2-1423E-40-00	. JET, MAIN #101 3	1	UR
	3G2-1423E-41-00	. JET, MAIN (#103.8)	1	STD
11	85G-14285-10-00	. WASHER	1	
12	7R1-14162-00-00	. BOLT, HOLDING	1	
13	98511-04006-00	. SCREW, PAN HEAD (98501-04005)	1	
14	92901-04100-00	. WASHER, SPRING	1	
15	193-14142-62-00	. JET, PILOT 62 5	1	
16	22F-14173-00-00	. COVER, PLUNGER CAP	1	
17	85G-14155-10-00	. GUIDE, CABLE	1	
18	127-14135-00-00	. SPRING, PLUNGER	1	
19	5V7-14171-00-00	. PLUNGER, STARTER	1	
20	363-14137-00-00	. CLIP	1	
21	85G-14122-00-00	. SCREW, THROTTLE	1	
22	354-14133-00-00	. SPRING, THRTL STOP	1	
23	85G-14245-00-00	. SCREW, GUIDE	1	
24	22F-14126-00-00	. GASKET	1	

CONTINUED ON NEXT FRAME ►

Not For Resale  
www.SmallEngineDiscount.com

# CARBURETOR

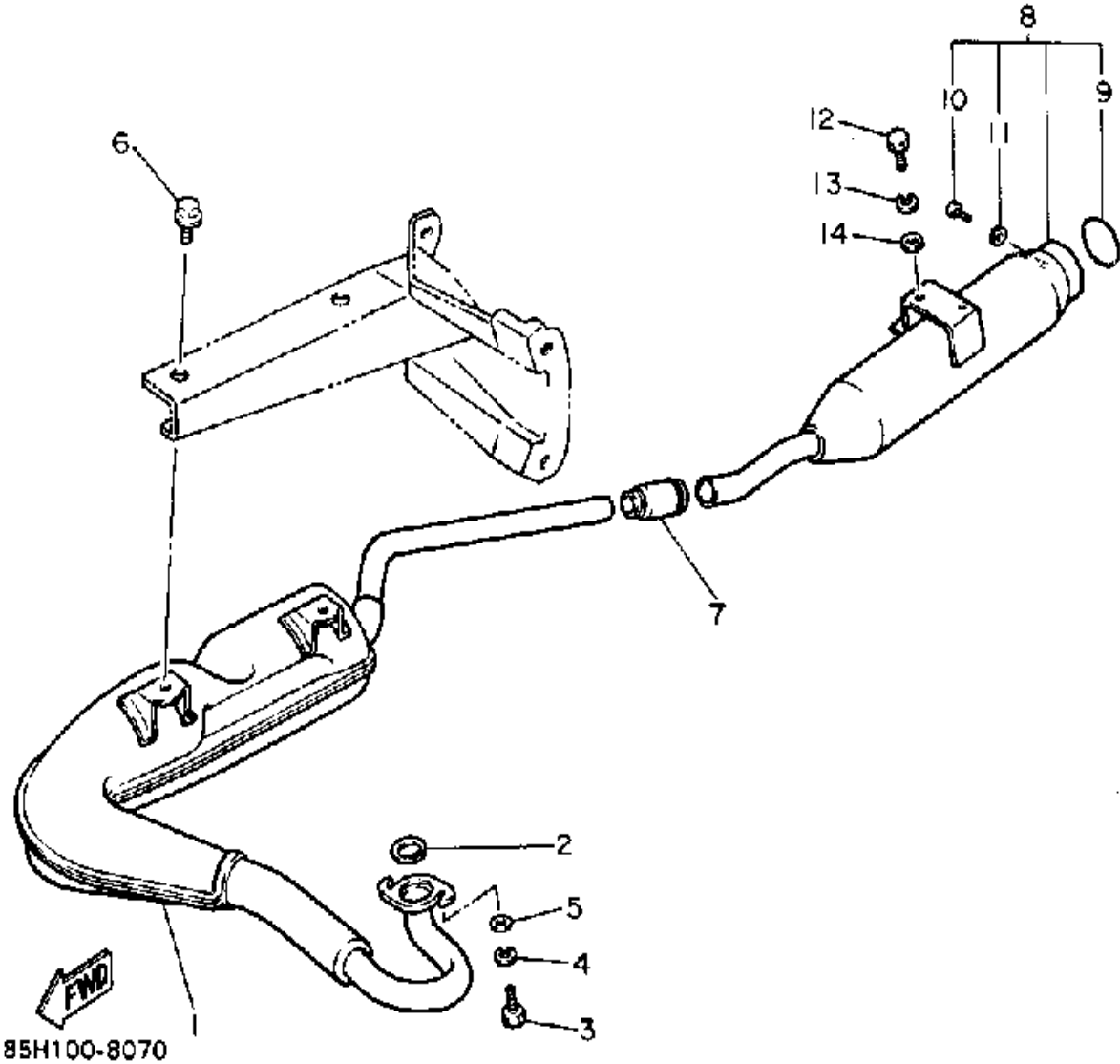
Ref. No.	Part Number	Description	Qty	Remarks
25	22F-14117-00-00	. WASHER, PLUG SCREW ....	1	
26	1UF-14952-00-00	. WASHER .....	1	
27	92901-04100-00	. WASHER, SPRING .....	1	
28	8X0-14358-00-00	. NUT .....	1	
29	8X0-14133-00-00	. SPRING, THROTTLE STOP ..	1	
30	8V0-8259A-00-00	. SWITCH, CARBURETOR ....	1	
31	85G-14118-00-00	. CAP .....	1	
32	1AE-14147-00-00	. O-RING .....	1	



85H100-8060

Not For Resale  
[www.SmallEngineDiscount.com](http://www.SmallEngineDiscount.com)

# EXHAUST

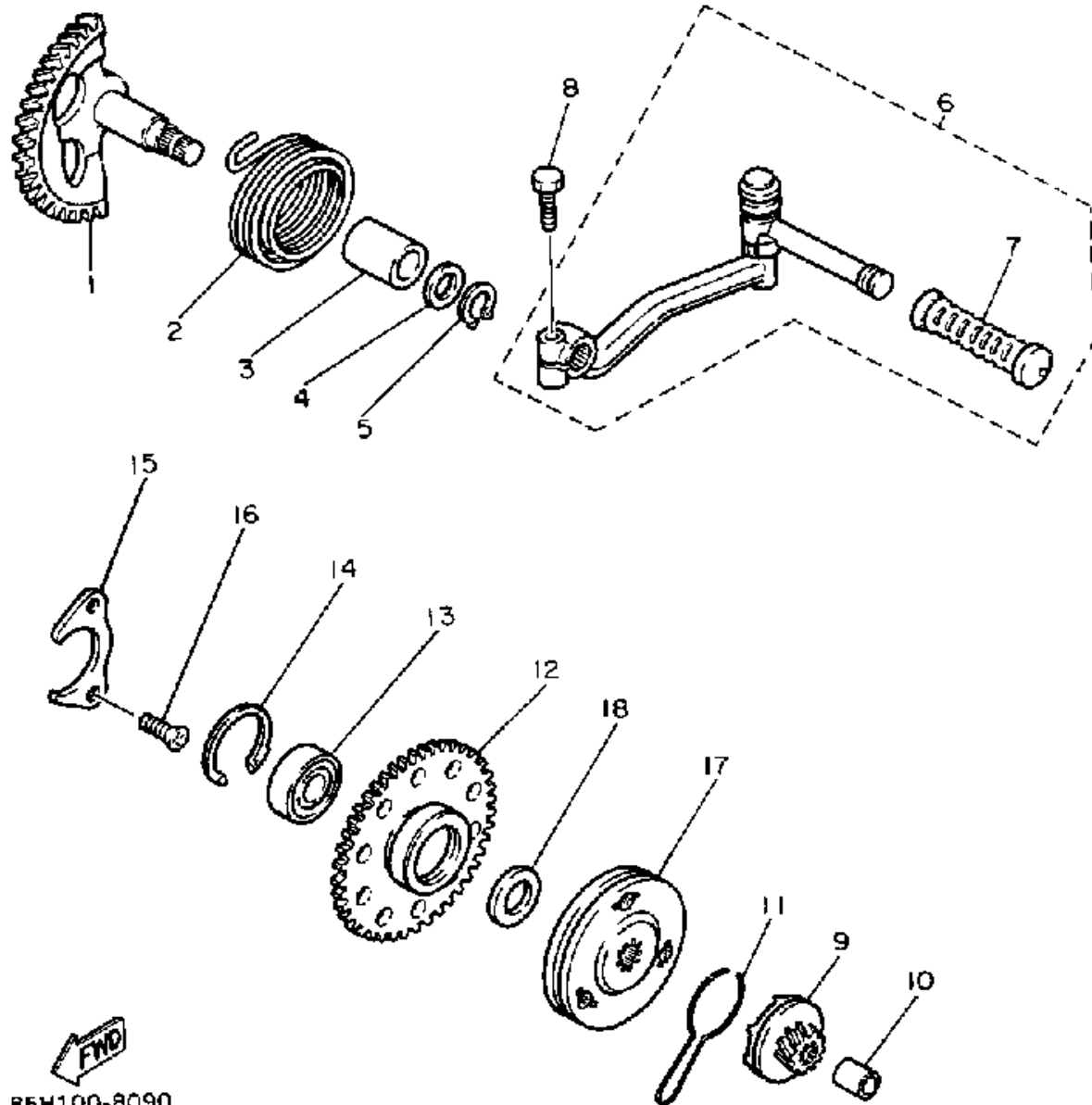


Ref. No.	Part Number	Description	Qty	Remarks
1	85G-14610-00-00	EXHAUST PIPE ASSEMBLY L	1	
2	132-14613-00-00	GASKET, EXST PIPE	1	
3	97016-08020-00	BOLT	2	
4	92906-08100-00	WASHER, SPRING	2	
5	92906-08600-00	WASHER	2	
6	95816-08016-00	BOLT, FLANGE	2	
7	3M7-14615-00-00	JOINT, EXHAUST L	1	
8	85G-14750-00-00	SILENCER ASSEMBLY	1	
9	93210-40407-00	O-RING	1	
10	98506-06010-00	SCREW, PAN HEAD	1	
11	92906-06600-00	WASHER	1	
12	97026-06012-00	BOLT	3	
13	92906-06100-00	WASHER, SPRING	3	
14	92906-06600-00	WASHER	3	

Not For Resale

www.SmallEngineDiscount.com

# STARTER

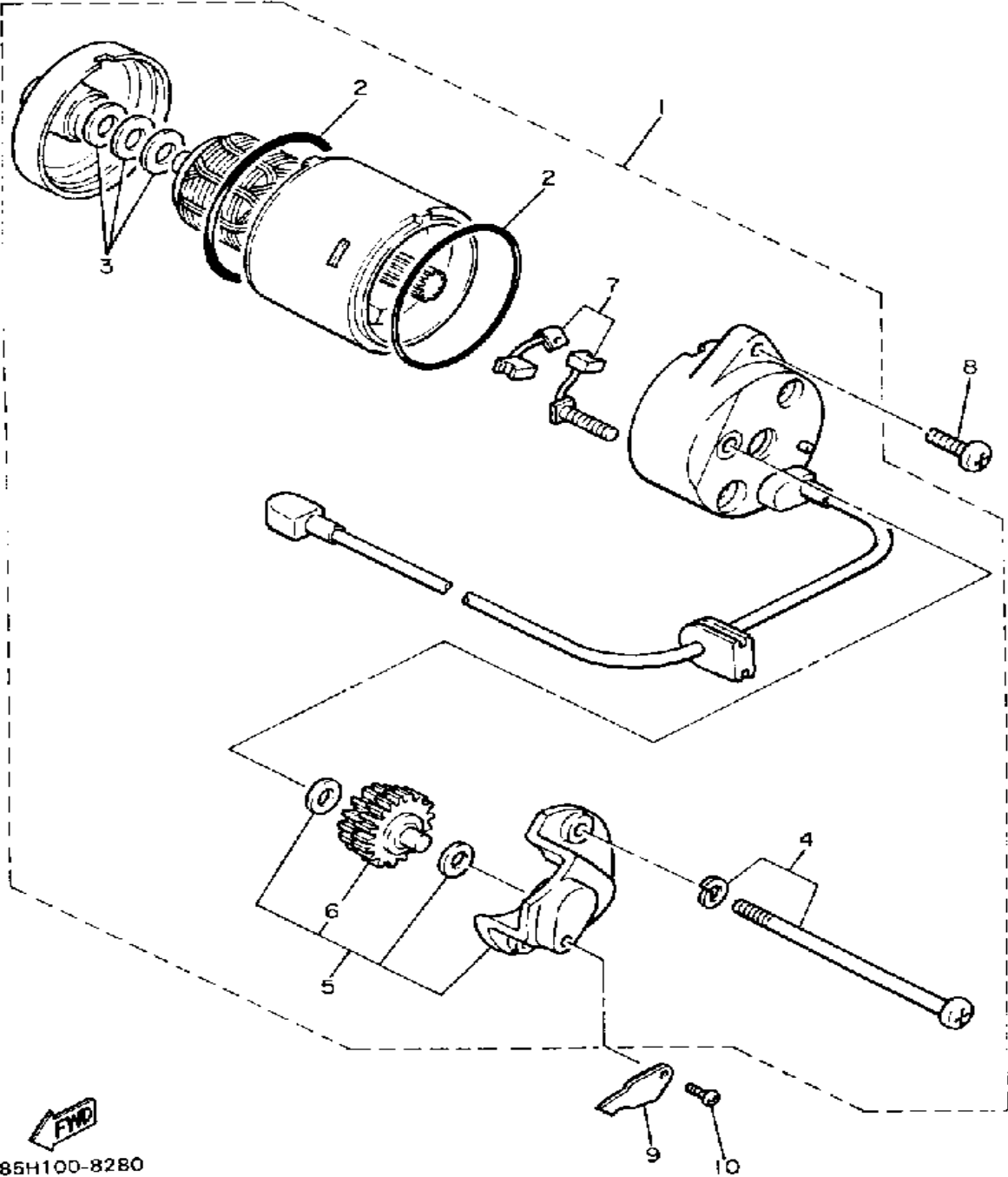


Ref. No.	Part Number	Description	Qty	Remarks
1	85G-15601-00-00	KICK SHAFT ASSEMBLY	1	
2	90508-32609-00	SPRING, TORSION	1	
3	90380-15083-00	BUSH, SOLID	1	
4	90201-154E9-00	WASHER, PLATE	1	
5	99009-15400-00	CIRCLIP	1	
6	27V-15620-00-00	KICK CRANK ASSEMBLY	1	
7	2T4-15618-00-00	. COVER, KICK LEVER	1	
8	97016-06025-00	BOLT	1	
9	85G-15630-03-00	KICK PINION ASSEMBLY	1	
10	90380-08201-00	BUSH, SOLID	1	
11	32N-15673-00-00	CLIP	1	
12	17M-15524-00-00	WHEEL, STARTER (66T)	1	
13	93306-00319-00	BEARING (B6003-ZZC3)	1	
14	93450-35015-00	CIRCLIP	1	
15	17M-15118-00-00	HOLDER	1	
16	98701-06014-00	SCREW, FLAT HEAD	2	
17	24G-15570-00-00	STARTER CLUTCH ASSEMBLY	1	
18	90201-163F8-00	WASHER, PLATE	1	

85H100-8090

Not For Resale  
[www.SmallEngineDiscount.com](http://www.SmallEngineDiscount.com)

# STARTING MOTOR

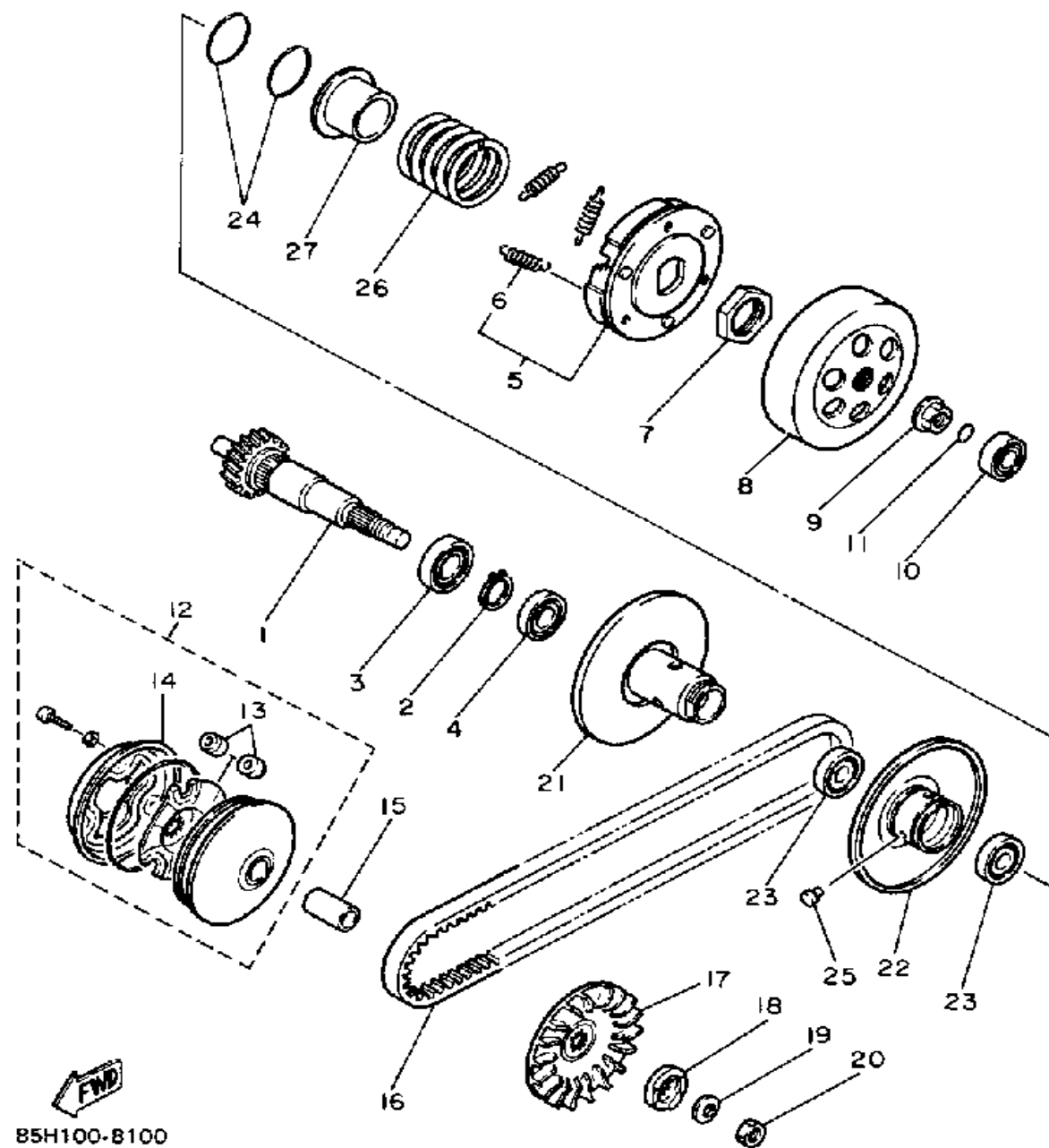


Ref. No.	Part Number	Description	Qty	Remarks
1	85H-81800-61-00	STARTING MOTOR ASSEMBLY	1	
2	5H0-81844-01-00	GASKET	2	
3	5G3-81809-00-00	WASHER SET	1	
4	(5G3-81828-00-00)	BOLT 2	1	
5	5G3-81842-01-00	COVER	1	
6	5G3-81807-00-00	PINION ASSEMBLY	1	
7	5G3-81801-00-00	BRUSH SET	1	
8	98580-06020-00	SCREW	1	
9	(5G3-81845-00-00)	PLATE	1	
10	98580-05010-00	SCREW, PAN HEAD	1	

85H100-8280

Not For Resale  
[www.SmallEngineDiscount.com](http://www.SmallEngineDiscount.com)

# CLUTCH



B5H100-B100

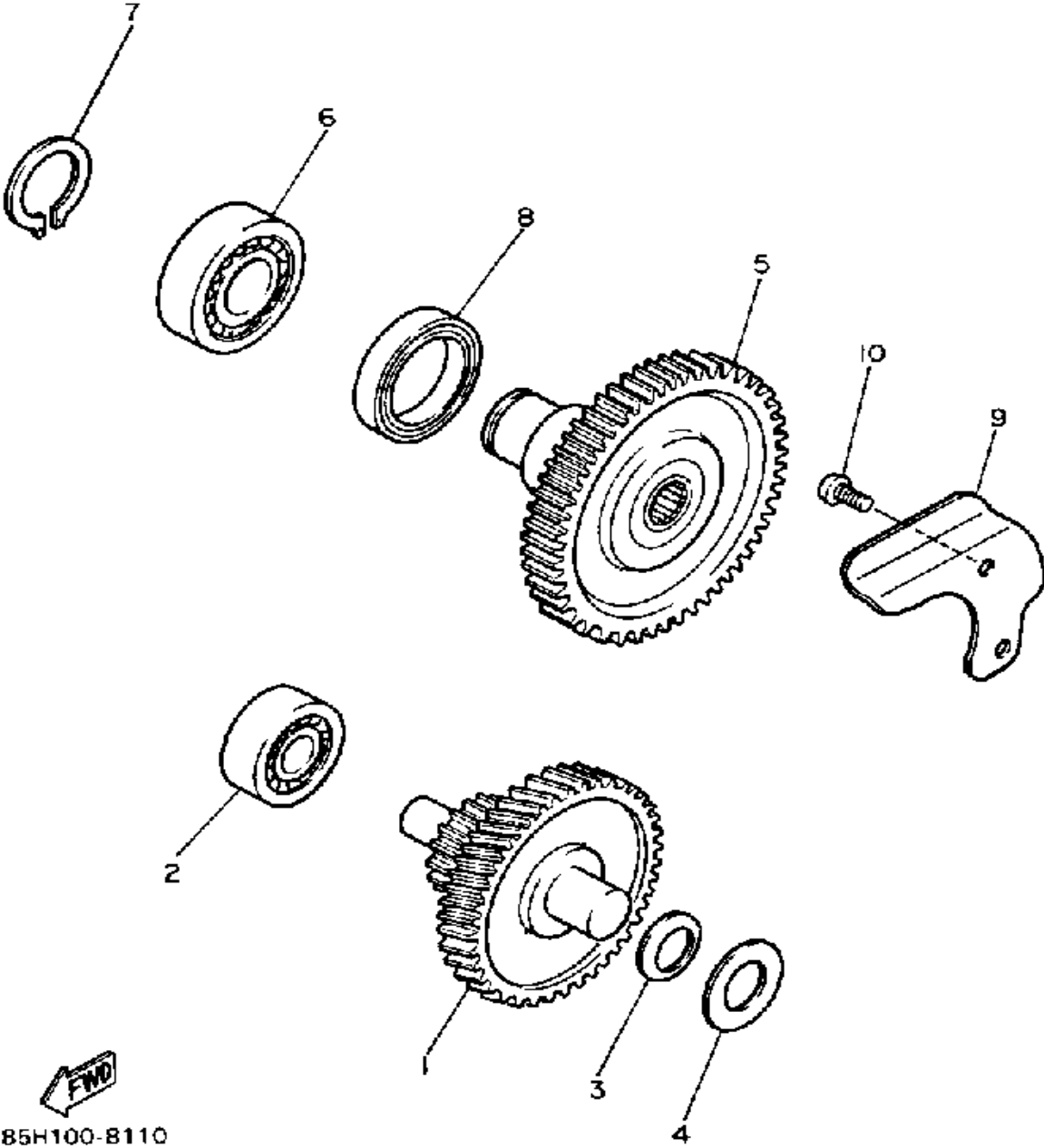
Ref. No.	Part Number	Description	Qty	Remarks
1	85G-16111-00-00	GEAR, PRI DRIVE .....	1	
2	93410-25010-00	CIRCLIP, S-TYPE .....	1	
3	93306-00510-00	BEARING .....	1	
4	93102-25395-00	OIL SEAL, SD-TYPE .....	1	
5	85G-16620-01-00	CLUTCH CARRIER ASSEMBLY	1	
6	17M-16626-00-00	. SPRING, CLUTCH WT 1 .....	3	
7	90170-36279-00	NUT .....	1	
8	32N-16611-01-00	HOUSING, CLUTCH .....	1	
9	90179-14427-00	NUT, SPEC'L SHAPE .....	1	
10	93306-00108-00	BEARING .....	1	
11	93210-08287-00	O-RING .....	1	
12	85G-17601-00-00	PRIMARY SHEAVE ASSEMBLY	1	
13	30A-17632-00-00	. PRI SHVE WGHT (HA) .....	6	AP
	5G6-17632-00-00	. PRIM SHEAVE WEIGHT .....	6	UR STD
14	93210-88696-00	. O-RING .....	1	
15	90387-167H4-00	COLLAR .....	1	
16	32N-17641-00-00	V-BELT .....	1	
17	32N-17611-00-00	SHEAVE, PRI FIXED .....	1	
18	14T-15657-00-00	CLUTCH, ONE .....	1	
19	90208-10012-00	WASHER, CONICAL SPRING ..	1	
20	95701-10500-00	NUT, FLANGE (95702-10500) ..	1	
21	32N-17660-00-00	SEC FXD SHV .....	1	
22	85G-17670-00-00	SEC SLIDING SHEAVE .....	1	
23	93104-41091-00	OIL SEAL .....	2	
24	93210-46593-00	O-RING .....	2	
25	24G-17664-00-00	PIN, GUIDE .....	3	
26	90501-457E7-00	SPRING, COMPRESSION .....	1	
27	32N-17684-00-00	SEAT, SEC SPRING .....	1	

Not For Resale

www.SmallEngineDiscount.com



# TRANSMISSION



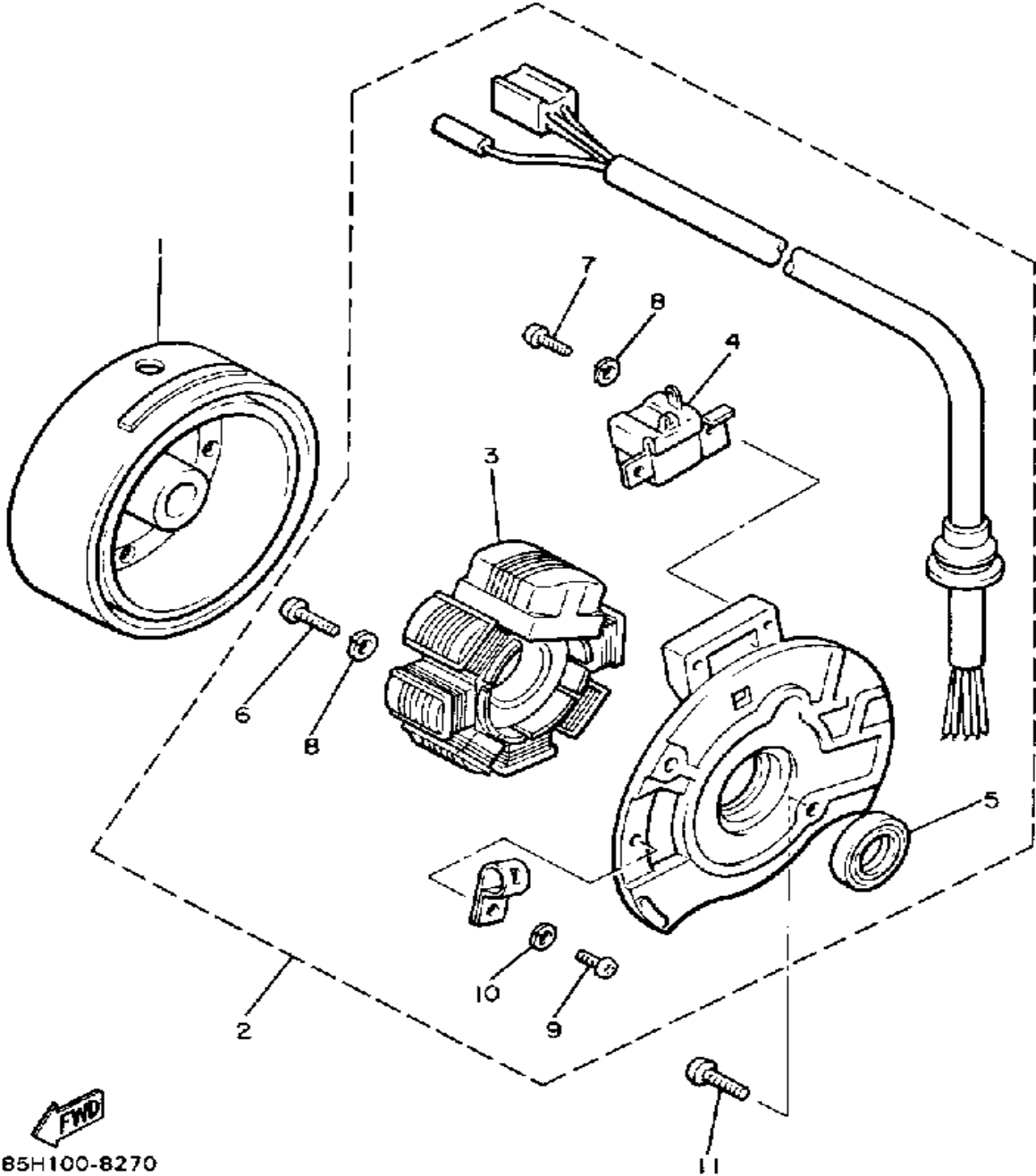
Ref. No.	Part Number	Description	Qty	Remarks
1	85G-17410-00-00	MAIN AXLE .....	1	
2	93306-30003-00	BEARING (B6300Z) .....	1	
3	90208-12027-00	WASHER, CONICAL SPRING ..	1	
4	90201-12704-00	WASHER, PLATE .....	1	
5	85G-17420-00-00	DRIVE AXLE ASSEMBLY .....	1	
6	93306-07202-00	BEARING .....	1	
7	93410-22039-00	CIRCLIP .....	1	
8	93102-27396-00	OIL SEAL, SD-TYPE .....	1	
9	5G3-17410-00-00	MAIN AXLE .....	1	

85H100-8110

Not For Resale

[www.SmallEngineDiscount.com](http://www.SmallEngineDiscount.com)

# GENERATOR

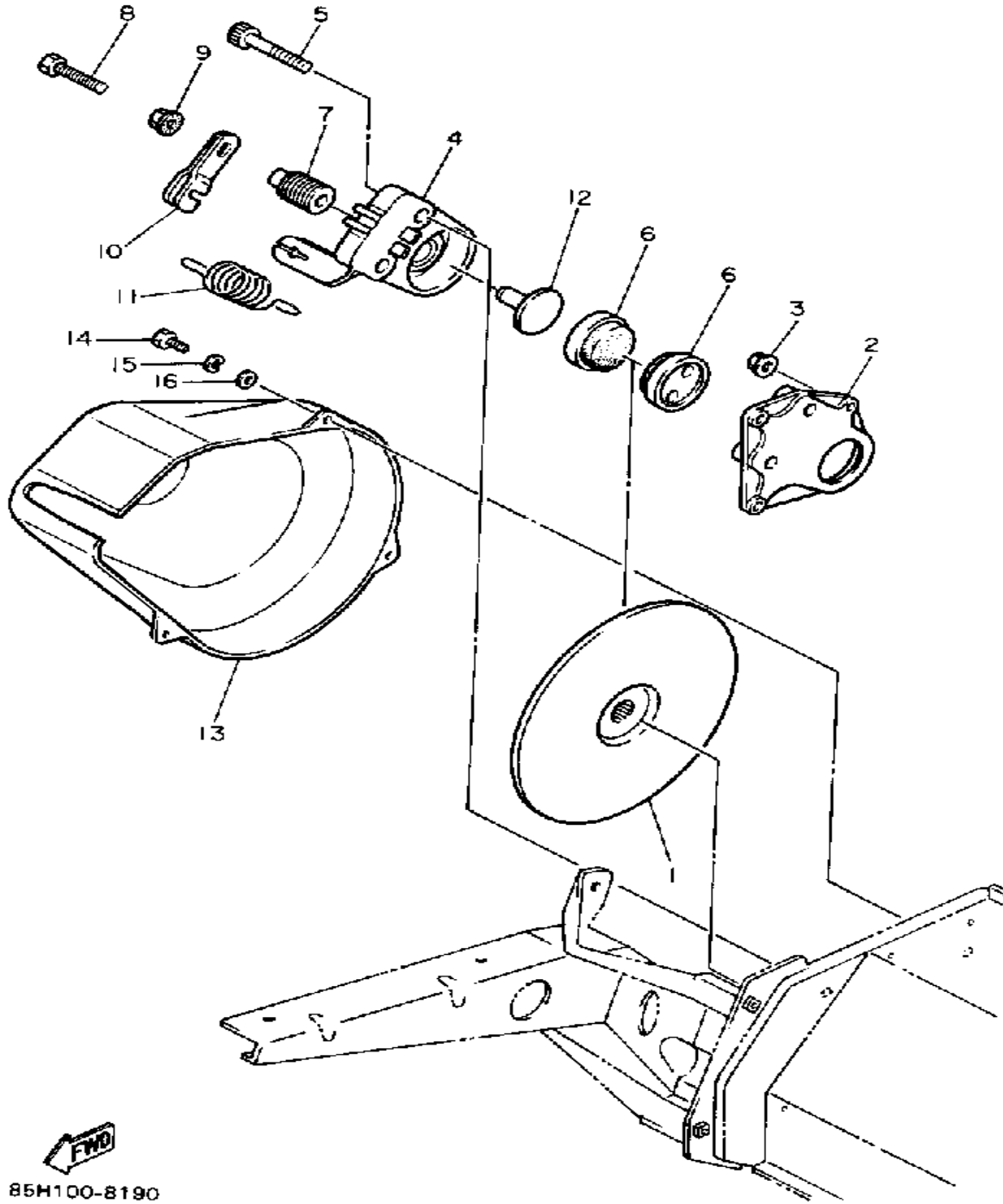


Ref. No.	Part Number	Description	Qty	Remarks
1	85G-85550-M0-00	ROTOR ASSEMBLY .....	1	
2	85G-85560-M1-00	BASE ASSEMBLY .....	1	
3	85G-81403-M1-00	. STATOR .....	1	
4	2JA-85580-M0-00	. COIL, PULSER .....	1	
5	93104-19082-00	. OIL SEAL, SO-TYPE .....	1	
6	98503-05025-00	. SCREW, PAN HEAD (98501-05025) .....	2	
7	98580-05010-00	. SCREW, PAN HEAD .....	2	
8	92990-05100-00	. WASHER, SPRING .....	4	
9	98511-04006-00	. SCREW, PAN HEAD (98501-04005) .....	1	
10	92901-04100-00	. WASHER, SPRING .....	1	
11	98503-06014-00	SCREW, PAN HEAD (92502-06016) .....	2	

**FWD**  
85H100-8270

Not For Resale  
www.SmallEngineDiscount.com

# BRAKE

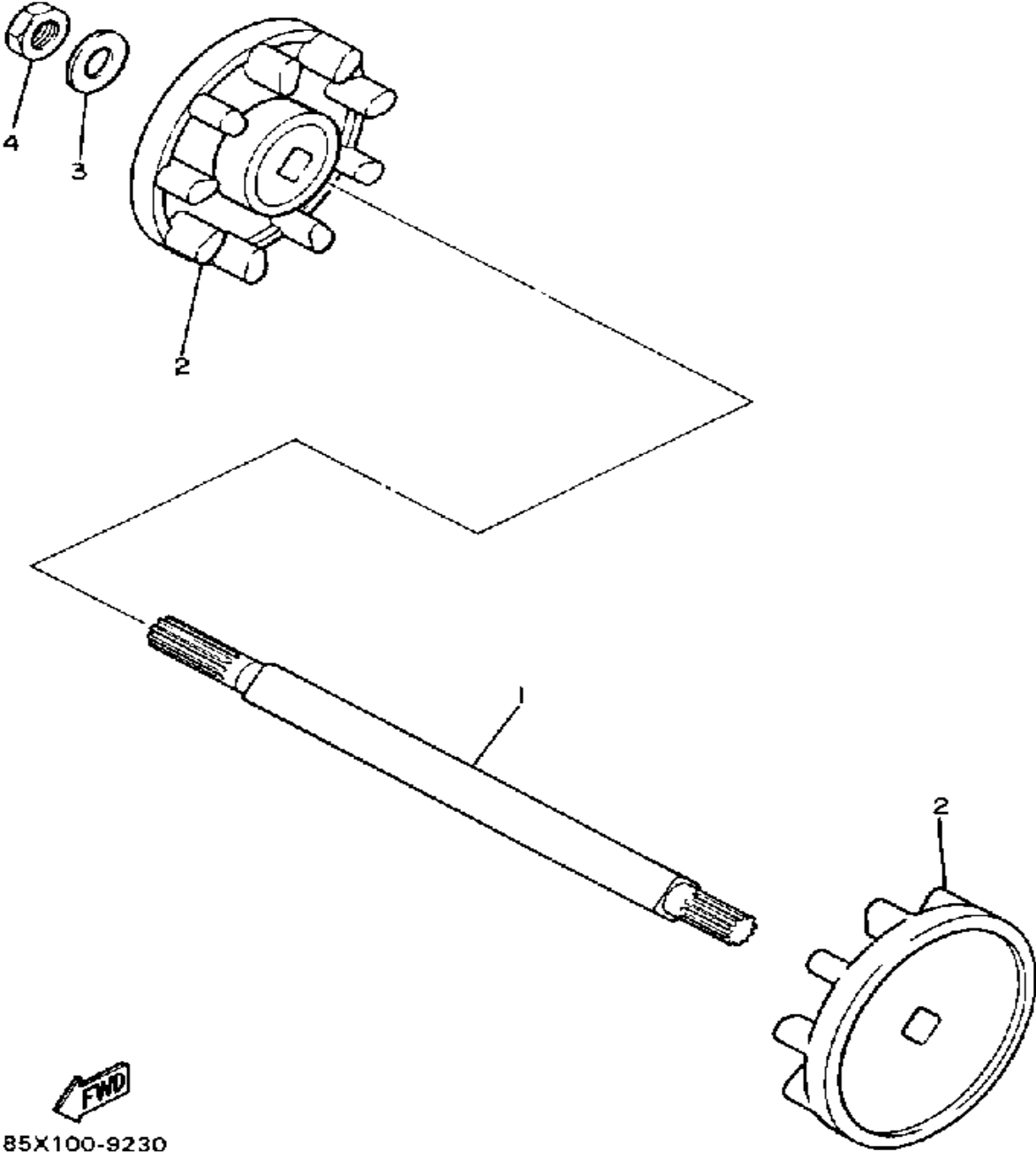


Ref. No.	Part Number	Description	Qty	Remarks
1	85G-25711-00-00	DISC, BRAKE	1	
2	85G-25741-00-00	BODY, CALIPER 2	1	
3	95601-08200-00	NUT, U	3	
4	8K4-25731-00-00	BODY, CALIPER 1	1	
5	91311-10035-00	BOLT, SOCKET HEAD	2	
6	84X-25811-01-00	PAD, CALIPER 2	2	
7	878-25728-00-00	CAM	1	
8	90101-08499-00	BOLT	1	
9	95701-08500-00	NUT, FLANGE	1	
10	878-25726-00-00	LEVER, BRAKE	1	
11	90501-23337-00	SPRING, COMPRESSION	1	
12	878-25733-00-00	PLATE, BACK UP	1	
13	85G-25715-00-00	COVER 1	1	
14	97026-06012-00	BOLT	3	
15	92906-06100-00	WASHER, SPRING	3	
16	92906-06600-00	WASHER	3	

85H100-8190

Not For Resale  
[www.SmallEngineDiscount.com](http://www.SmallEngineDiscount.com)

# TRACK DRIVE 1



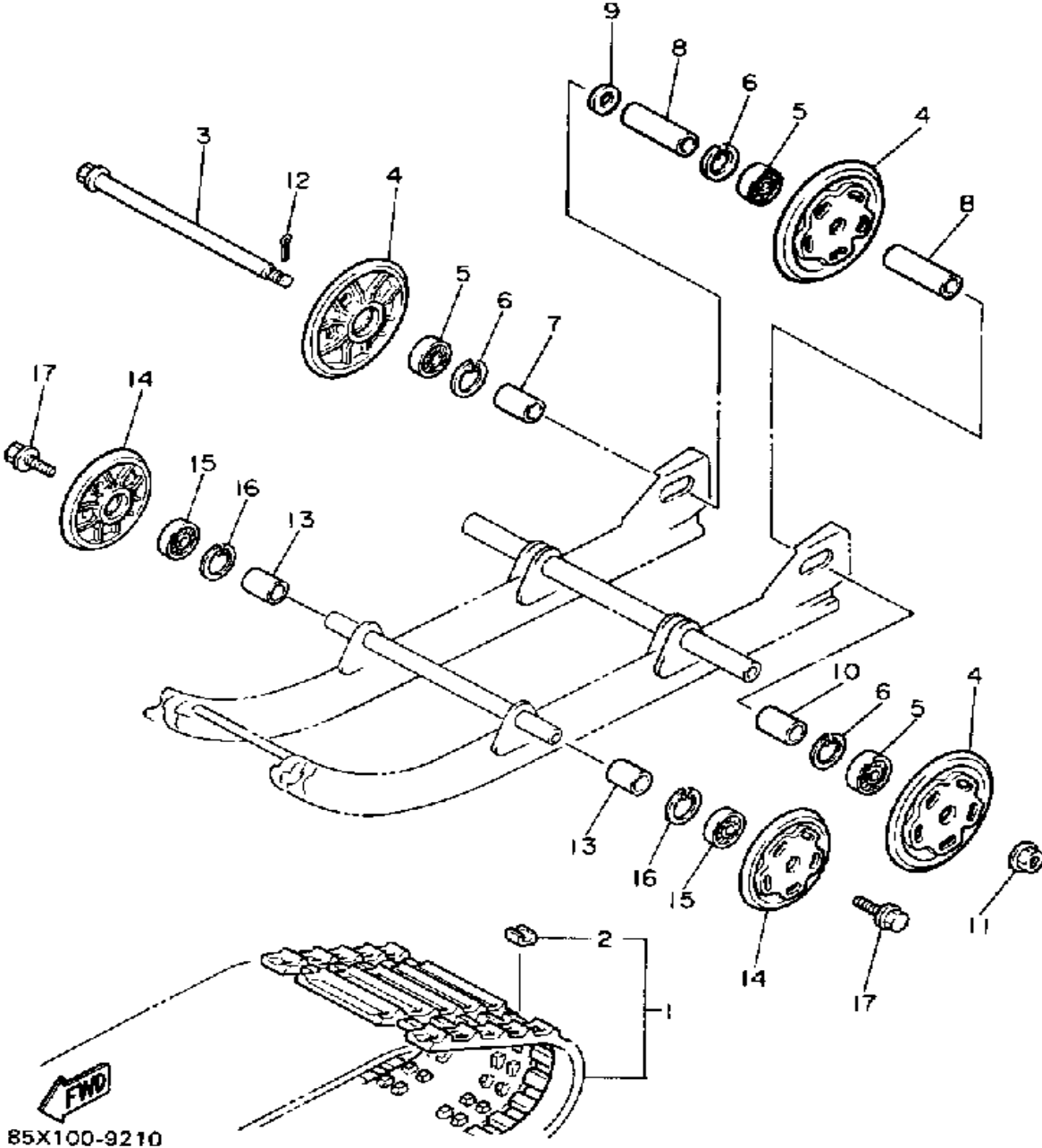
Ref. No.	Part Number	Description	Qty	Remarks
1	85G-47511-00-00	AXLE, FRONT .....	1	
2	85G-W4753-00-00	WHEEL, SPROCKET ASSEMBLY .....	1	
3	90208-20008-00	WASHER, CONICAL SPRING ..	1	
4	90170-20211-00	NUT .....	1	

85X100-9230

Not For Resale

[www.SmallEngineDiscount.com](http://www.SmallEngineDiscount.com)

# TRACK SUSPENSION 1

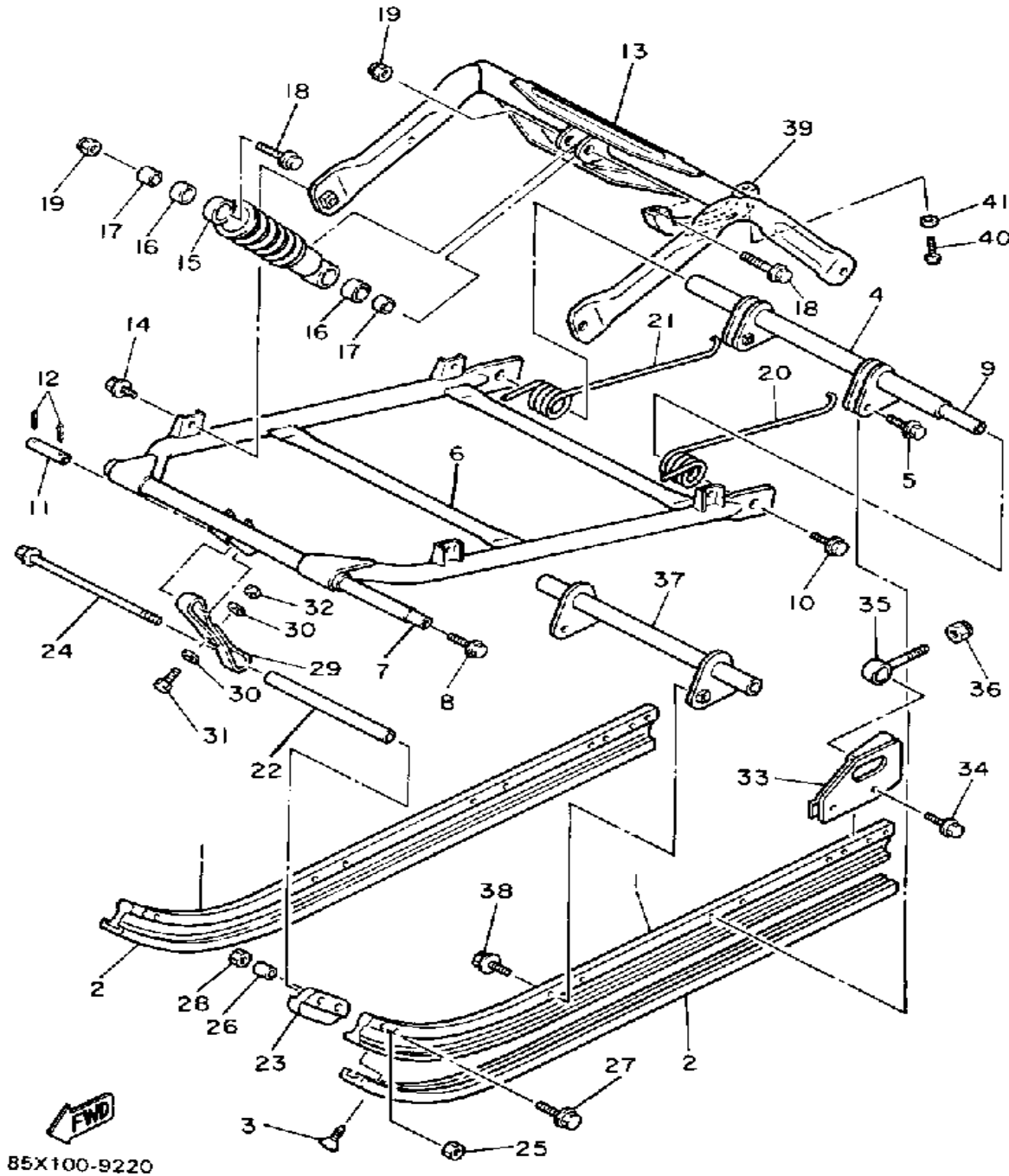


Ref. No.	Part Number	Description	Qty	Remarks
1	85G-47110-01-00	TRACK ASSEMBLY	1	
2	85G-47113-00-00	PLATE, RNFCMNT	40	
3	85G-47521-00-00	AXLE, REAR	1	
4	8U7-47320-00-00	SUSPENSION WHEEL COMP.	3	
5	93306-00441-00	BEARING (89A) (B6004RS)	3	
6	99009-42500-00	CIRCLIP	3	
7	90387-206T7-00	COLLAR	1	
8	90387-206V2-00	COLLAR	2	
9	90201-20279-00	WASHER, PLATE	1	
10	90387-204U6-00	COLLAR	1	
11	95601-14200-00	NUT, U	1	
12	91401-30030-00	PIN, COTTER	1	
13	90387-206T8-00	COLLAR	2	
14	87M-47320-00-00	SUSPENSION WHEEL COMP.	2	
15	93306-00441-00	BEARING (89A) (B6004RS)	2	
16	99009-42500-00	CIRCLIP	2	
17	90105-14488-00	BOLT, WASHER BASED	2	

Not For Resale

www.SmallEngineDiscount.com

# TRACK SUSPENSION 2



Ref. No.	Part Number	Description	Qty	Remarks
1	85G-47411-00-00	FRAME, SLIDING 1	2	
2	85G-47421-00-XX	SLIDING RUNNER	2	
3	90151-06010-00	SCREW, COUNTERSUNK	2	
4	85G-47416-00-00	BRACKET 2	1	
5	90105-08486-00	BOLT, WASHER BASED	4	
6	85G-47331-00-00	ARM, PIVOT 1	1	
7	85G-47465-00-00	SHAFT 1	1	
8	90109-10771-00	BOLT	2	
9	85G-47485-00-00	SHAFT 3	1	
10	90105-10433-00	BOLT, WASHER BASED	2	
11	90387-106T4-00	COLLAR (903-87090-R0-00)	1	
12	91401-20030-00	PIN, COTTER	2	
13	85G-47417-01-00	BRACKET 3	1	
14	90105-08485-00	BOLT, WASHER BASED	4	
15	85G-47480-00-00	SHOCK ABSORBER	1	
16	90386-14145-00	BUSH, SPEC'L NYLON	2	
17	90387-105G5-00	COLLAR	2	
18	95811-10045-00	BOLT, FLANGE	2	
19	95601-10100-00	NUT, U (95602-10100-00)	2	
20	85G-47471-01-00	SPRING, FRONT 1	1	
21	85G-47472-01-00	SPRING, FRONT 2	1	
22	90387-086T3-00	COLLAR	1	
23	85G-47422-01-00	RUNNER, SLIDING 2	2	
24	95822-08190-00	BOLT, FLANGE	1	
25	95601-08200-00	NUT, U	1	
26	90387-086T2-00	COLLAR	2	
27	95811-08045-00	BOLT, FLANGE (JN5)	2	
28	95601-08200-00	NUT, U	2	
29	85G-47495-00-00	STOPPER 1	1	

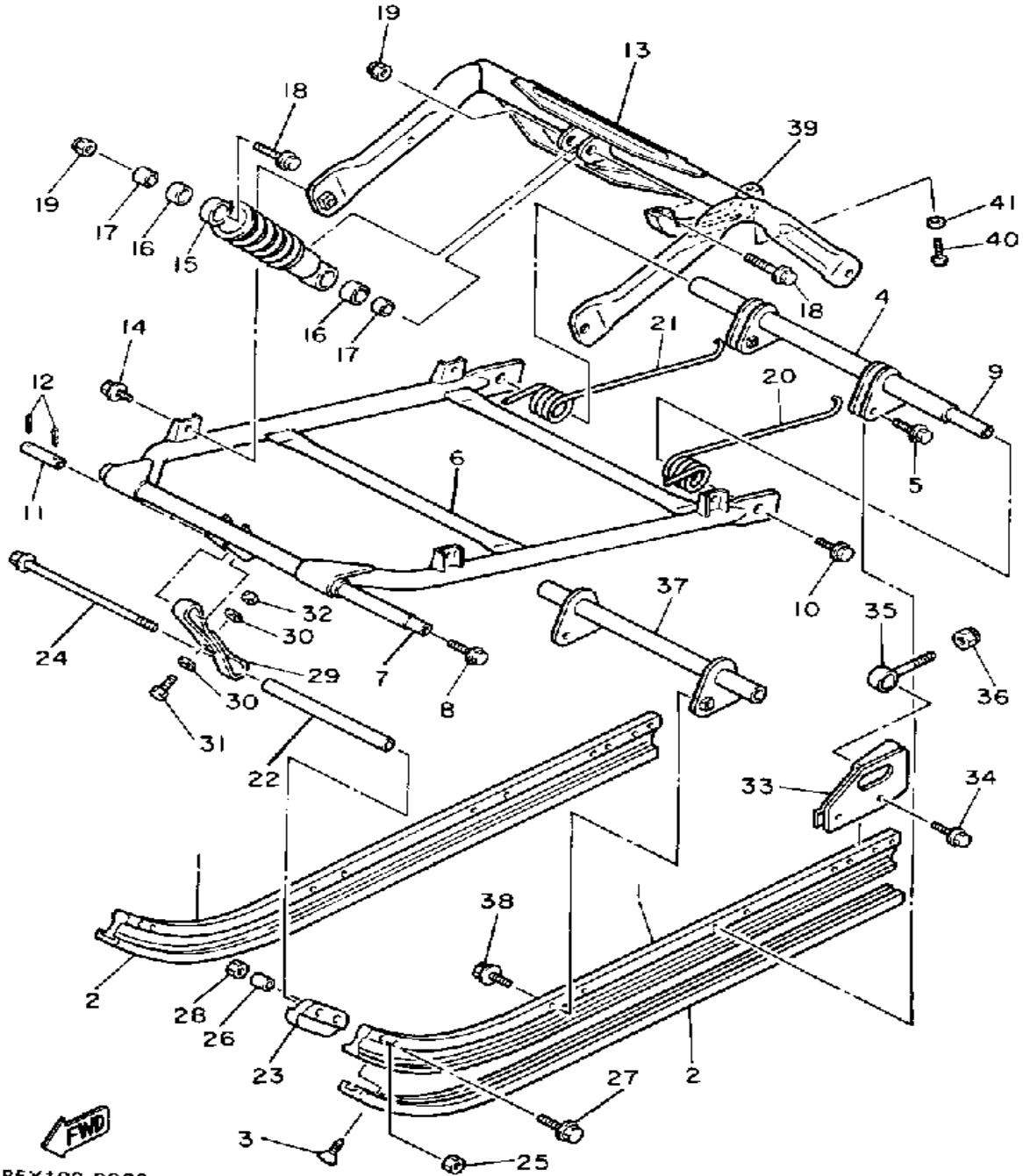
CONTINUED ON NEXT FRAME ►

Not For Resale

www.SmallEngineDiscount.com



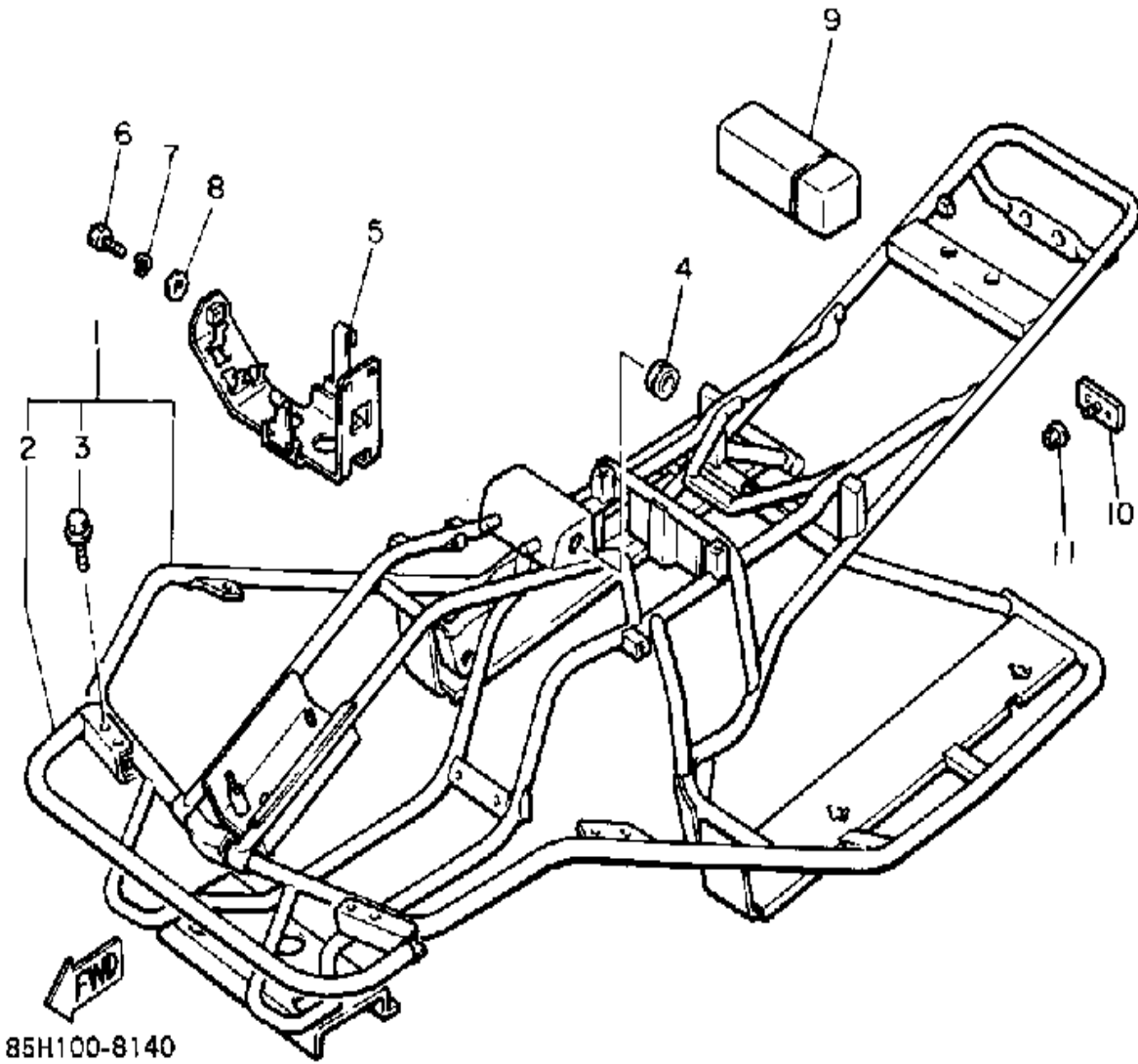
# TRACK SUSPENSION 2



Ref. No.	Part Number	Description	Qty	Remarks
30	90209-06174-00	WASHER	2	
31	97011-06025-00	BOLT (97001-06025)	1	
32	95701-06300-00	NUT, NYLON	1	
33	85G-47412-00-00	FRAME, SLIDING 2	2	
34	90105-08486-00	BOLT, WASHER BASED	4	
35	85G-47479-00-00	COLLAR 3	2	
36	95701-10300-00	NUT, FLANGE (95702-10300)	2	
37	85G-47451-00-00	BAR, SUSPENSION	1	
38	90105-08486-00	BOLT, WASHER BASED	4	
39	85X-47445-00-00	PROTECTOR	2	
40	98511-06025-00	SCREW PAN HEAD (92501-06025)	4	
41	92990-06200-00	WASHER	4	

Not For Resale  
www.SmallEngineDiscount.com

# FRAME



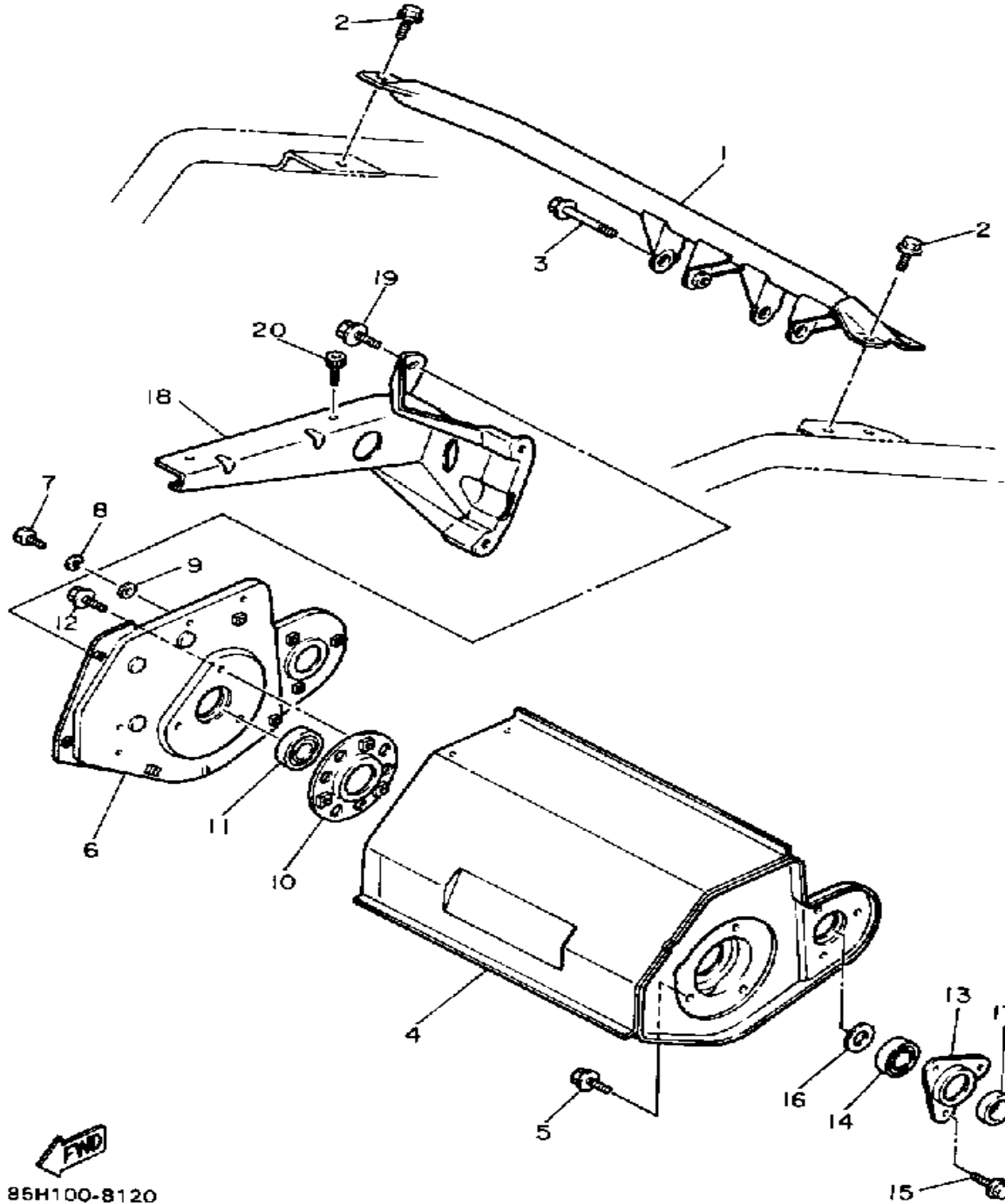
Ref. No.	Part Number	Description	Qty	Remarks
1	85H-21910-01-00	FRAME .....	1	UR FIRE RED
2	851-84744-00-00	BULB .....	1	URYAMAHA BLK
	85G-77511-09-00	. BUMPER, FRONT 1 .....	1	UR FIRE RED
3	97003-08040-00	BOLT (82G) .....	4	
4	90480-13163-00	GROMMET .....	1	
5	85H-2199G-00-00	BRACKET, BATTERY .....	1	
6	97016-06016-00	BOLT .....	3	
7	92906-06100-00	WASHER, SPRING .....	3	
8	92906-06600-00	WASHER .....	3	
9	85G-28100-00-00	TOOL KIT .....	1	
10	36Y-85750-02-00	FUEL METER ASSEMBLY .....	1	
11	95701-05500-00	NUT, FLANGE .....	1	

85H100-8140

Not For Resale

[www.SmallEngineDiscount.com](http://www.SmallEngineDiscount.com)

# ENGINE BRACKET

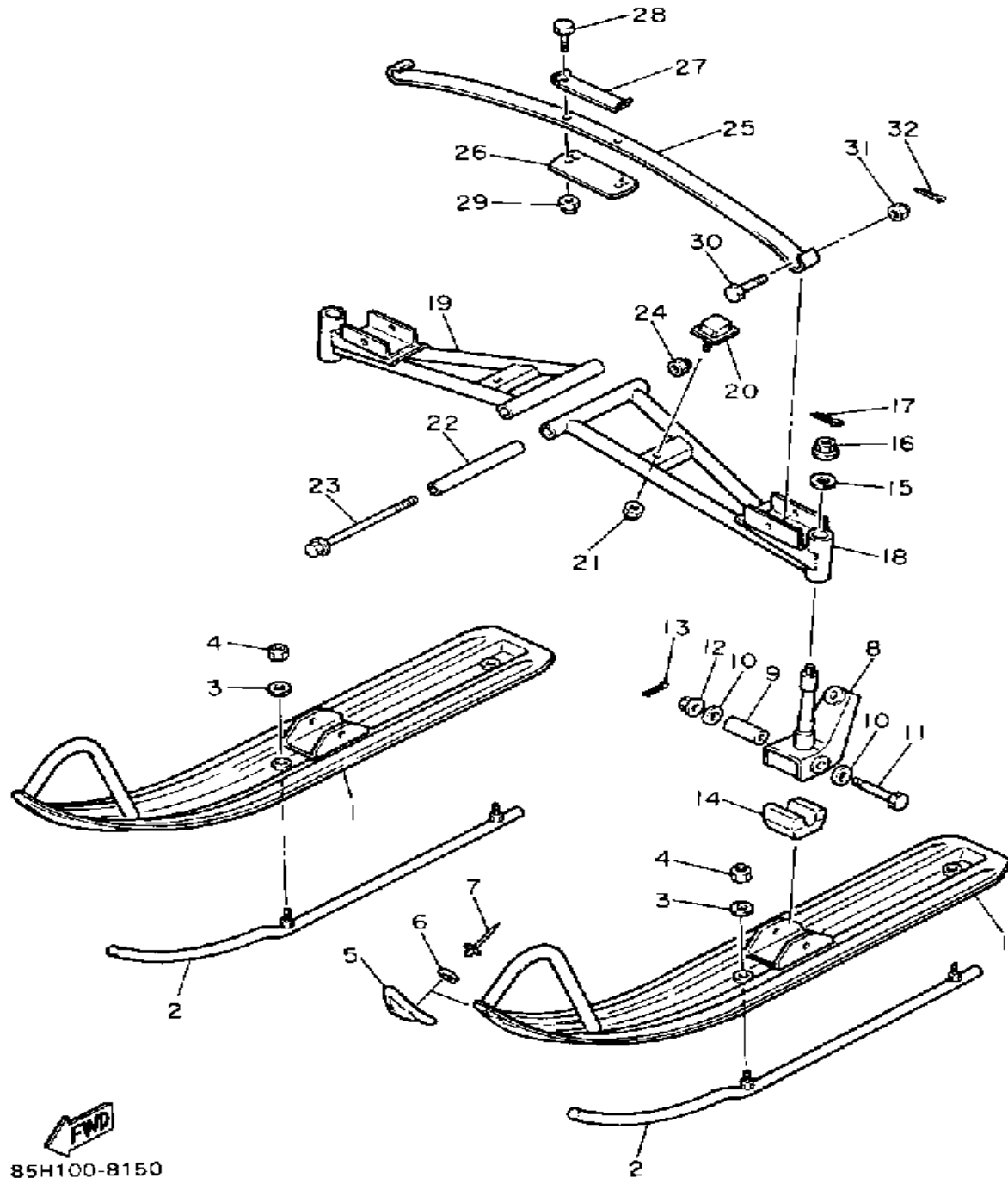


Ref. No.	Part Number	Description	Qty	Remarks
1	8F3-21411-02-00	BRACKET, ENGINE 1	1	
2	95816-08012-00	BOLT, flange	3	
3	90105-08017-00	BOLT, WASHER BASEDBASED	2	
4	85G-21419-00-00	BRACKET, ENGINE 2	1	
5	95816-08012-00	BOLT, flange	3	
6	85G-21429-00-00	BRACKET, ENGINE 3	1	
7	97026-06012-00	BOLT	4	
8	92906-06100-00	WASHER, SPRING	4	
9	92906-06600-00	WASHER	4	
10	85G-47551-00-00	HOUSING, FRONT AXLE	1	
11	93306-00441-00	BEARING (89A) (B6004RS)	1	
12	95816-08012-00	BOLT, flange	3	
13	85G-47561-00-00	HOUSING, SEC SHAFT	2	
14	93306-00316-00	BEARING	2	
15	95816-08012-00	BOLT, flange	6	
16	90201-17256-00	WASHER, PLATE	2	
17	90387-17783-00	COLLAR	2	
18	85G-21435-01-00	BRACKET, MUFFLER 1	1	
19	95816-08016-00	BOLT, FLANGE	2	
20	95816-08016-00	BOLT, FLANGE	2	

Not For Resale

[www.SmallEngineDiscount.com](http://www.SmallEngineDiscount.com)

# SKI



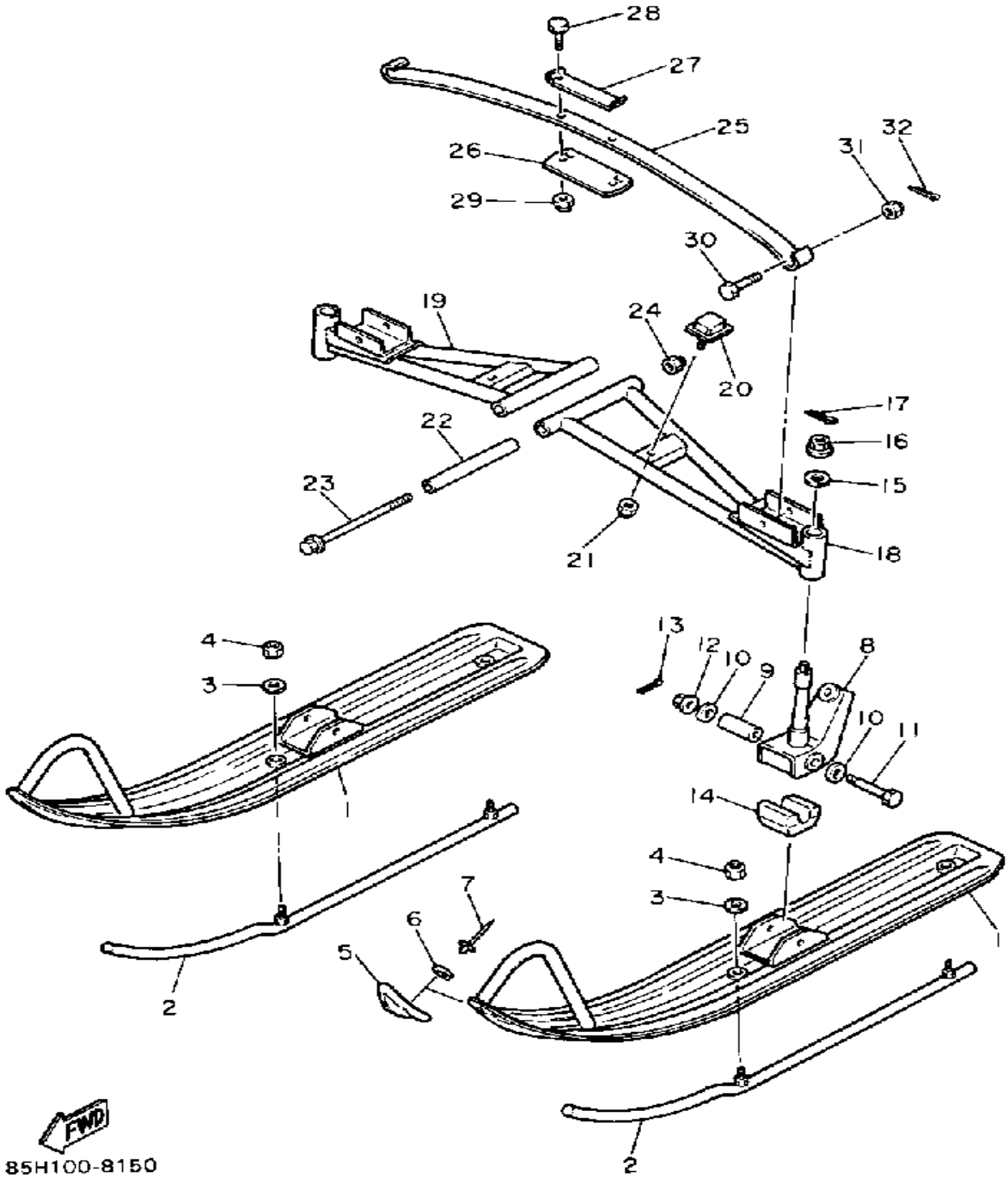
85H100-8150

Ref. No.	Part Number	Description	Qty	Remarks
1	85X-23710-00-00	SKI COMP. 1	2	
2	853-23731-00-XX	SKI RUNNER, (SV80)	2	
3	90201-081H4-00	WASHER, PLATE	4	
4	95716-08300-00	NUT, FLANGE	4	
5	867-23747-00-00	PROTECTOR, SKI	2	
6	90201-04023-00	WASHER, PLATE	4	
7	90267-40076-00	RIVET, BLIND	2	
8	85G-23853-00-00	COLUMN, SKI 1	2	
9	90387-082U2-00	COLLAR	2	
10	90201-081H4-00	WASHER, PLATE	8	
11	90102-08071-00	BOLT W/HOLE	2	
12	95616-08200-00	NUT, U	2	
13	91490-20020-00	PIN, COTTER	2	
14	87A-23743-00-00	STOPPER 1	2	
15	90201-086A3-00	WASHER, PLATE	2	
16	95606-08200-00	NUT, U	2	
17	91490-20020-00	PIN, COTTER	2	
18	85G-2382E-01-00	ARM, FRONT 1	1	
19	85G-2382F-01-00	ARM, FRONT 2	1	
20	81E-21449-00-00	STOPPER, BRAKE PEDL	2	
21	90185-08055-00	NUT, SELF-LOCKING	2	
22	90387-106T5-00	COLLAR	2	
23	95822-10175-00	BOLT, FLANGE	2	
24	95701-10300-00	NUT, FLANGE (95702-10300)	2	
25	85G-23761-00-00	LEAF 1	1	
26	90215-10155-00	WASHER, LOCK	1	
28	90109-105E1-00	BOLT	2	
29	90102-08028-00	BOLT, WITH HOLE	2	
30	90102-08028-00	BOLT, WITH HOLE	2	

CONTINUED ON NEXT FRAME ➤

Not For Resale  
www.SmallEngineDiscount.com

# SKI

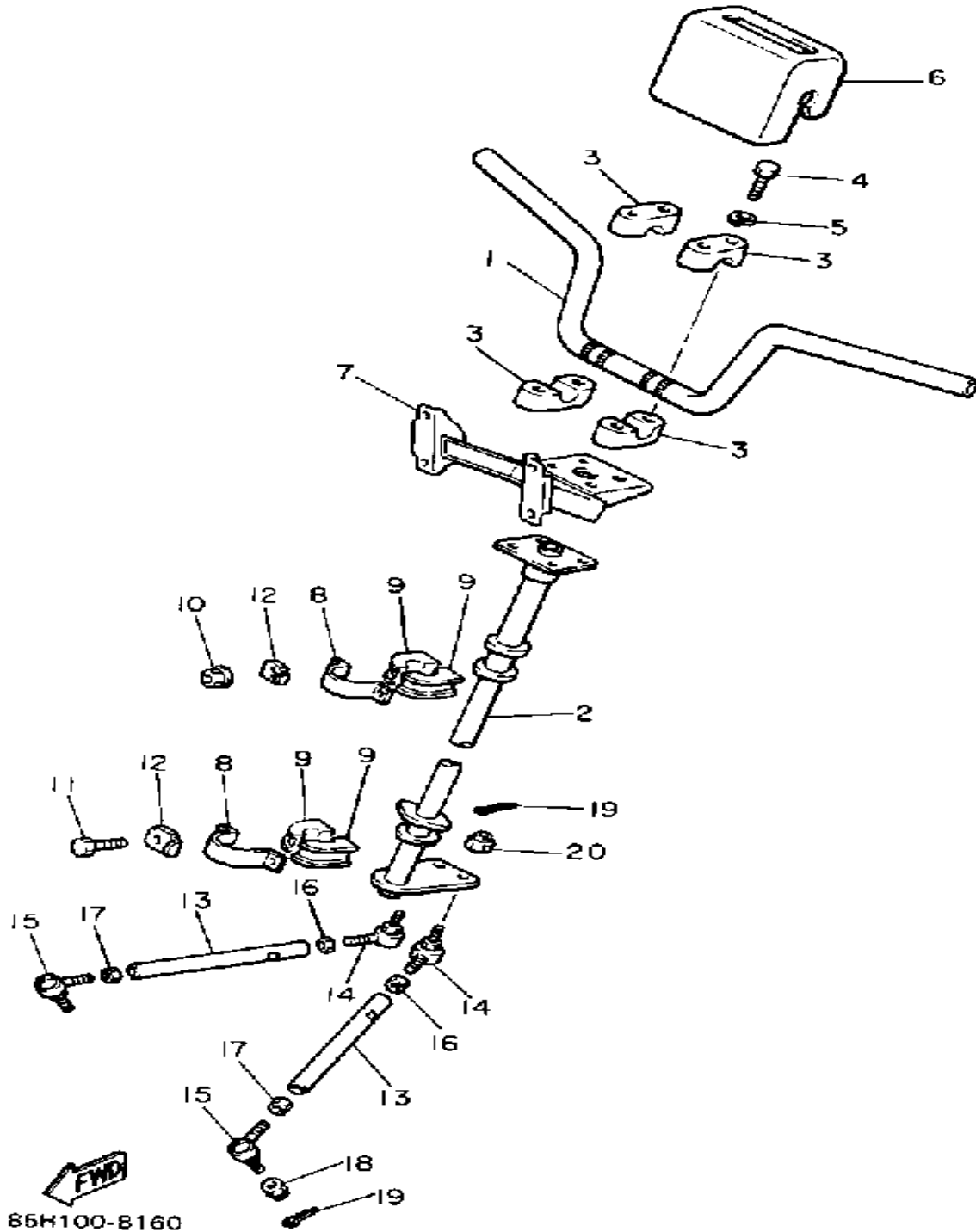


Ref. No.	Part Number	Description	Qty	Remarks
31	95611-08100-00	NUT, U .....	2	
32	91490-20020-00	PIN, COTTER .....	2	

 85H100-8150

Not For Resale  
[www.SmallEngineDiscount.com](http://www.SmallEngineDiscount.com)

# STEERING



Ref. No.	Part Number	Description	Qty	Remarks
1	85G-23811-00-00	COLUMN, STEERING	1	
2	85G-23813-00-00	COLUMN, STEERING 2	1	
3	85G-23814-00-00	HOLDER, HANDLE UPR	4	
4	97021-08065-00	BOLT	4	
5	92990-08100-00	WASHER	4	
6	8F3-23818-00-00	COVER, STEERING	1	
7	85G-23174-00-00	STAY, HEADLIGHT	1	
8	84M-23868-00-00	BRACKET, STEERING LOWER	2	
9	8F3-23812-00-00	PLANE BEARING, STEERING	4	
10	95712-08300-00	NUT, LOCK	2	
11	97011-08016-00	BOLT	2	
12	90215-08262-00	WASHER, LOCK	4	
13	85G-23821-00-00	ROD, STEERING RELAY	2	
14	85G-23841-00-00	JOINT, UNIVERSAL 1	2	
15	86X-23845-00-00	JOINT, UNIVERSAL 2	2	
16	95306-10700-00	NUT	2	
17	90170-10186-00	NUT	2	
18	91402-25018-00	PIN, COTTER	4	
19	90185-10085-00	NUT, SELF-LOCKING	4	

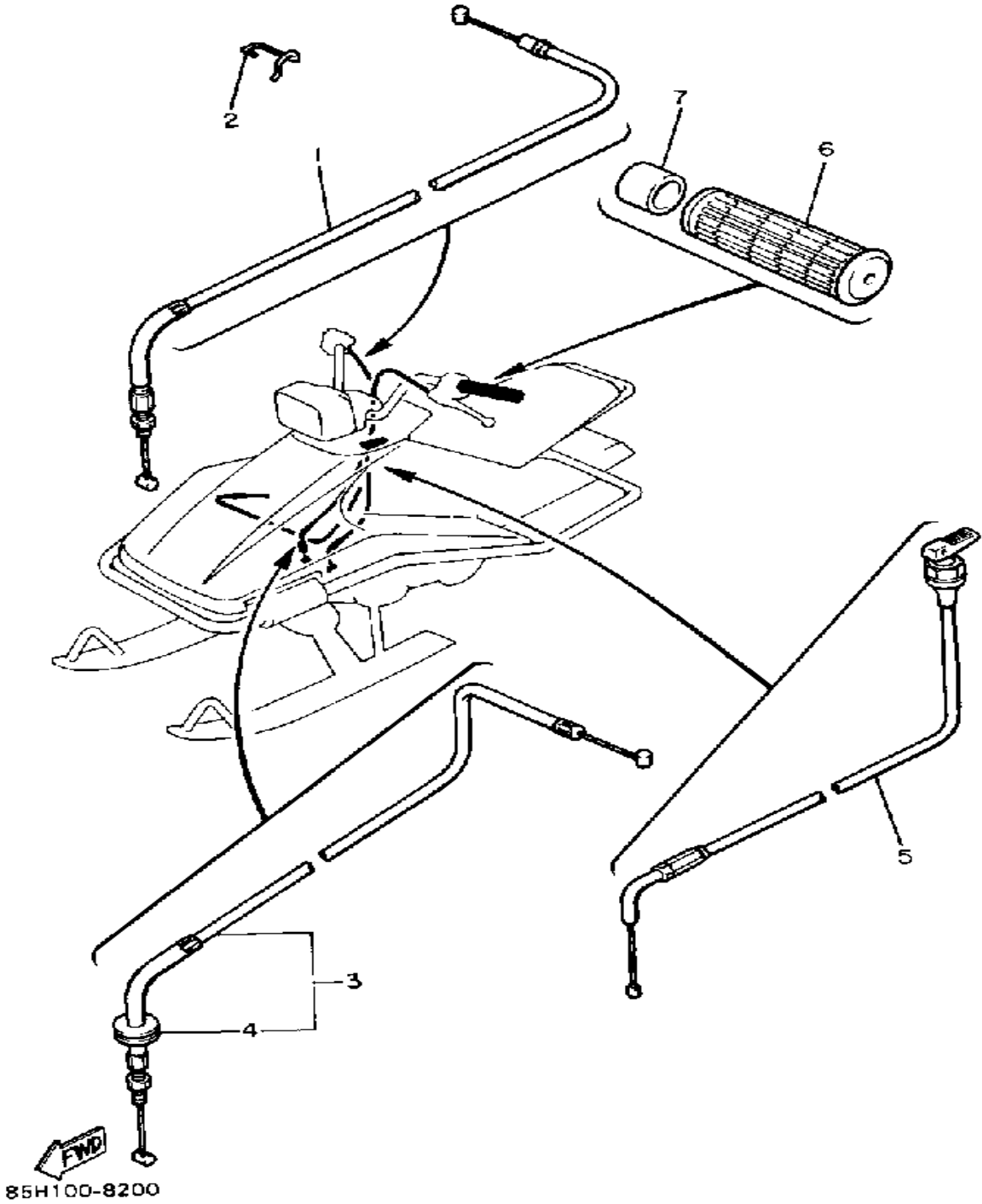
Not For Resale

www.SmallEngineDiscount.com



# CONTROL - CABLE

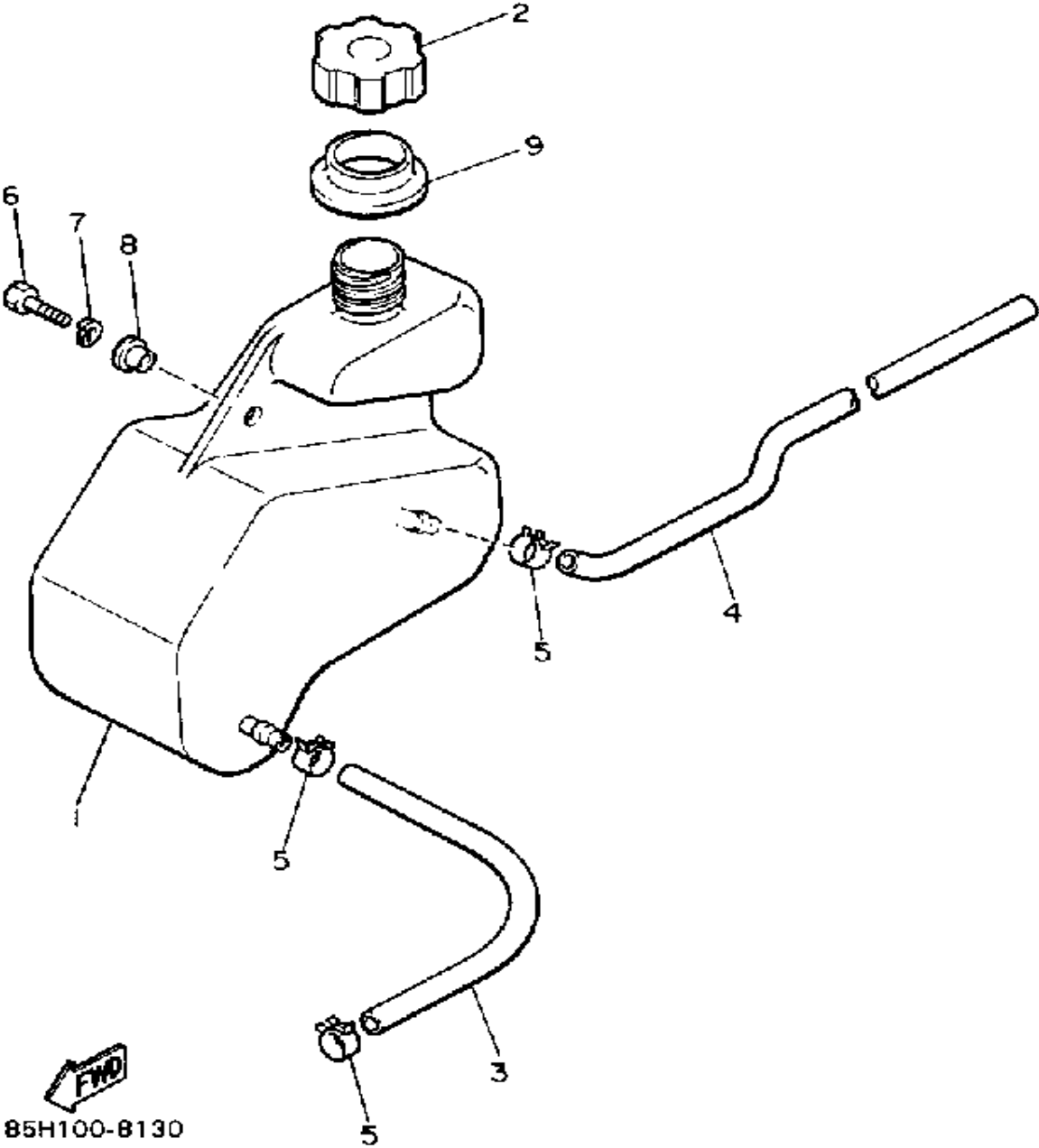
Ref. No.	Part Number	Description	Qty	Remarks
1	85G-26311-00-00	CABLE, THROTTLE 1	1	
2	90465-10189-00	CLAMP	1	
3	85G-26340-00-00	CABLE, BRAKE	1	
4	90480-18431-00	GROMMET	1	
5	85G-26331-00-00	CABLE, STARTER 1	1	
6	801-26241-01-00	GRIP	2	
7	90387-22726-00	COLLAR	1	



Not For Resale

[www.SmallEngineDiscount.com](http://www.SmallEngineDiscount.com)

# OIL TANK

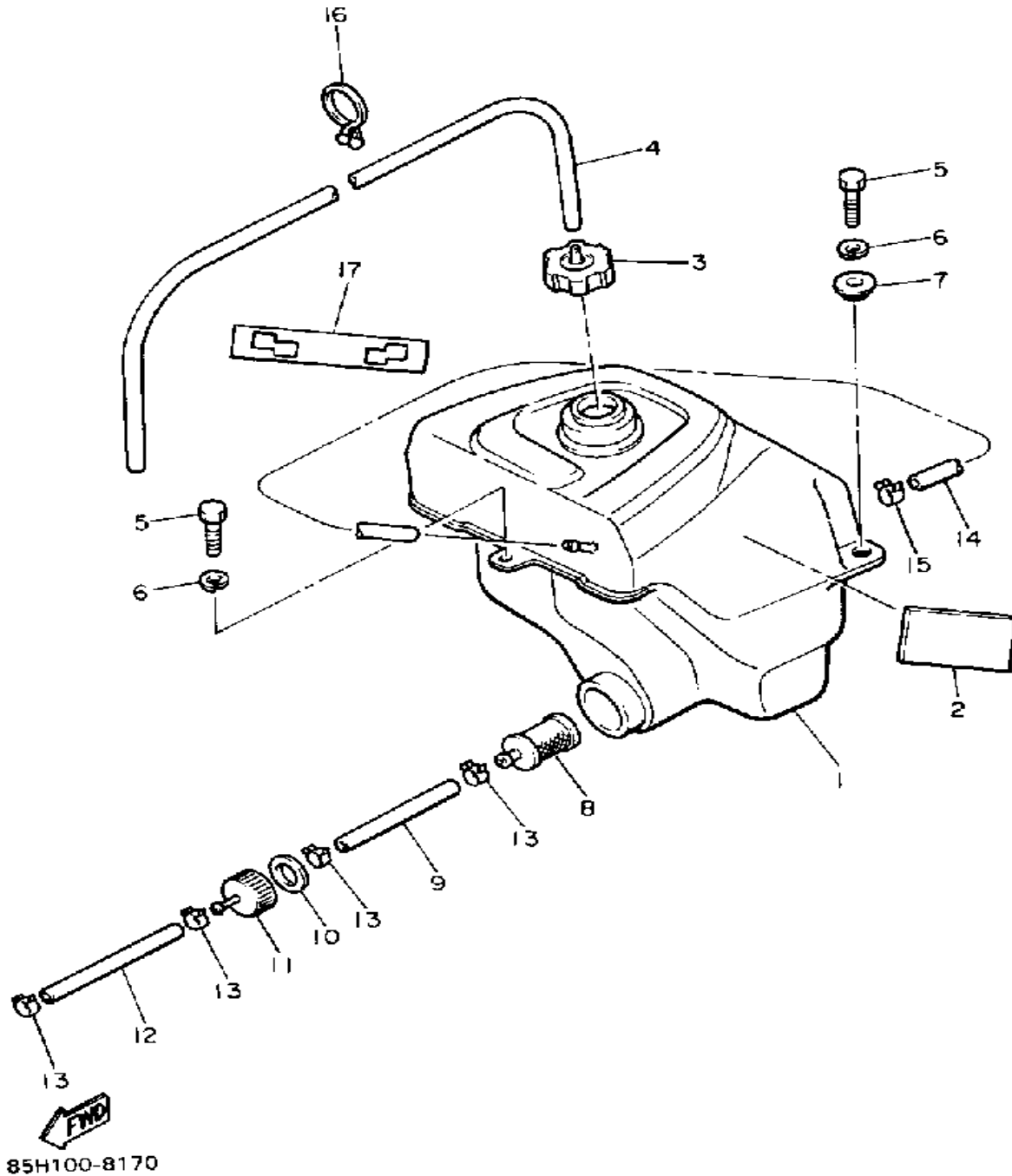


Ref. No.	Part Number	Description	Qty	Remarks
1	85G-21751-00-00	TANK, OIL .....	1	
2	1Y1-21770-01-00	OIL TANK CAP ASSEMBLY ...	1	
3	90446-09244-00	HOSE .....	1	
4	90446-09013-00	HOSE (90446-09079) .....	1	
5	90467-09026-00	CLIP .....	3	
6	97011-06020-00	BOLT .....	2	
7	92995-06100-00	WASHER, SPRING .....	2	
8	90387-06681-00	COLLAR .....	2	
9	85G-21732-00-00	SEAL 1 .....	1	

Not For Resale

www.SmallEngineDiscount.com

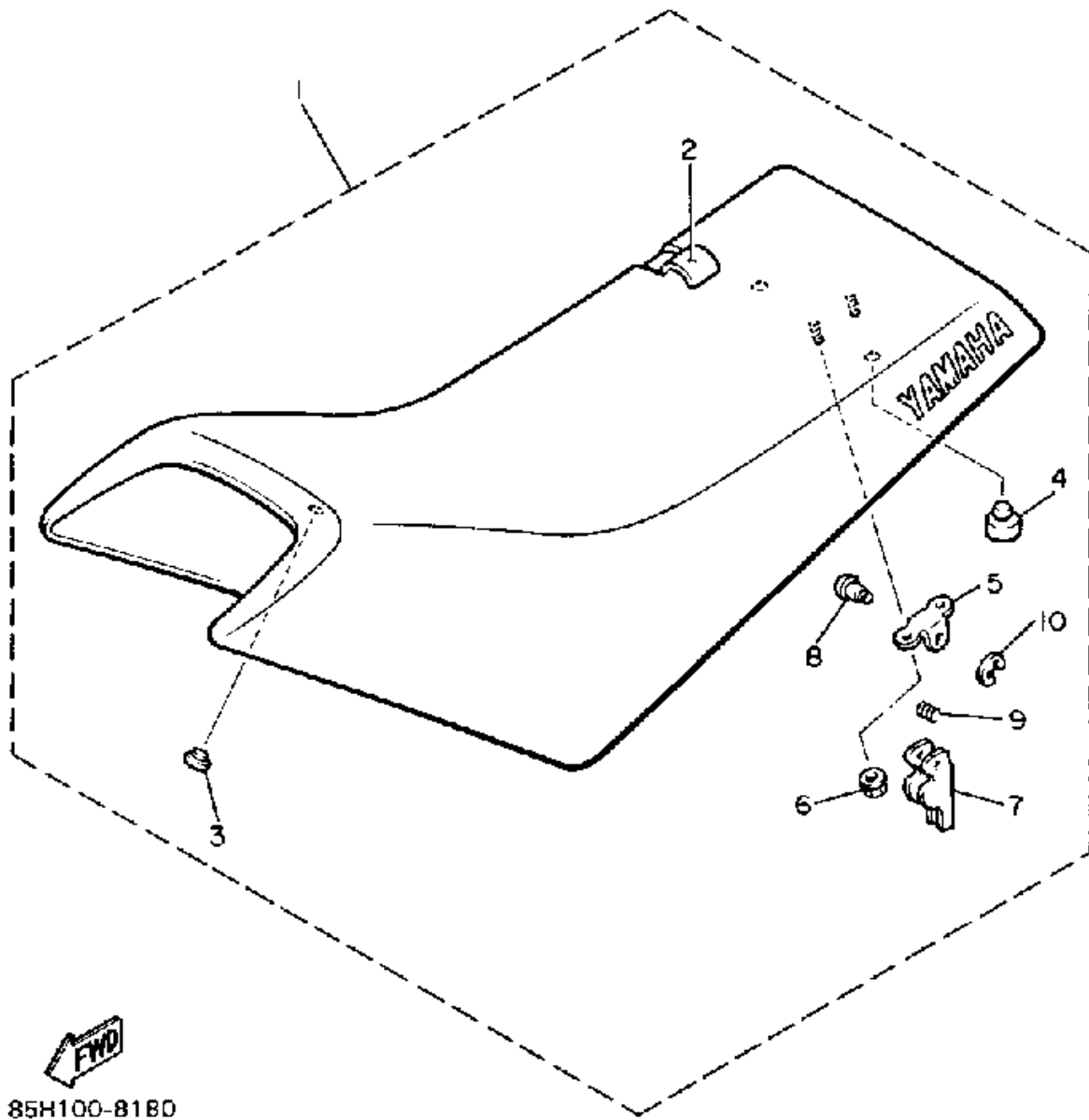
# FUEL TANK



Ref. No.	Part Number	Description	Qty	Remarks
1	85G-24111-00-00	FUEL TANK	1	
2	12R-21747-00-00	DAMPER	2	
3	85G-24610-00-00	CAP ASSEMBLY	1	
4	90445-093F7-00	HOSE	1	
5	97313-08020-00	BOLT, HEXAGON	3	
6	92990-08100-00	WASHER	3	
7	90387-081U0-00	COLLAR	2	
8	85G-24560-00-00	FILTER ASSEMBLY	1	
9	90445-110F5-00	HOSE	1	
10	8F3-24564-00-00	GASKET	1	
11	8R4-24644-00-00	BODY, CAP	1	
12	90446-11109-00	HOSE	1	
13	90467-11044-00	CLIP	4	
14	(90446-09270-00)	HOSE	1	
15	90467-09026-00	CLIP	1	
16	90464-16039-00	CLAMP	1	
17	85G-7716E-00-00	REFLECTOR 1	1	

85H100-8170

# SEAT



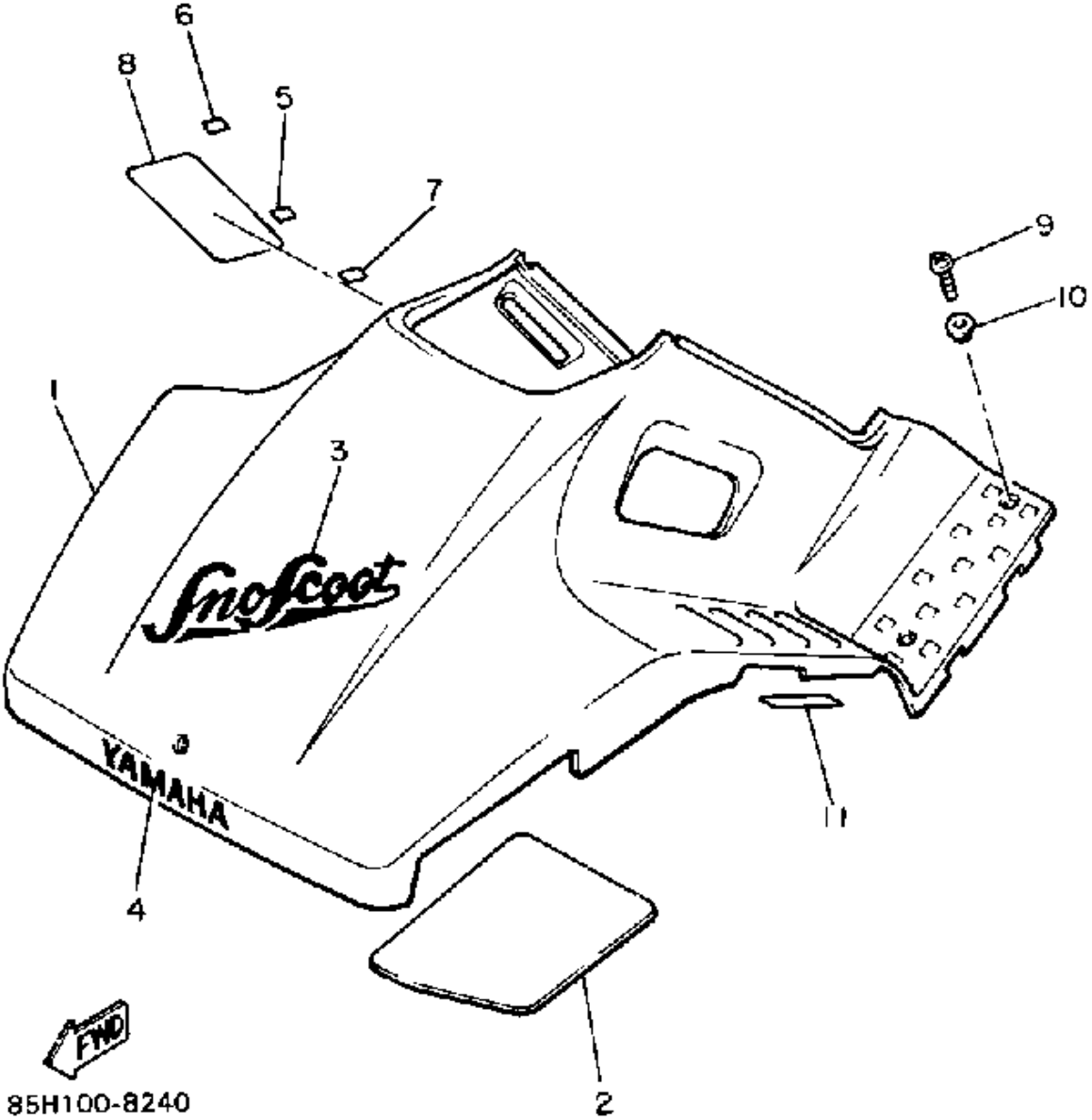
85H100-8180

Ref. No.	Part Number	Description	Qty	Remarks
1	85G-24710-10-00	SINGLE SEAT ASSEMBLY	1	UR BLACK
	85G-24710-20-00	SINGLE SEAT ASSEMBLY	1	UR RED
2	2HX-24731-10-00	COVER, DOUBLE SEAT	1	UR BLACK
	2HX-24731-20-00	COVER, DOUBLE SEAT	1	UR RED
3	3L7-24724-00-00	DAMPER, SEAT	2	
4	371-27114-00-00	STOPPER, MAIN STAND	2	
5	4K0-24775-00-00	BRACKET, SEAT LEVER	1	
6	95701-06500-00	NUT, FLANGE	2	
7	29U-24776-00-00	LEVER, SEAT	1	
8	4K0-24774-01-00	PIN	1	
9	90508-20454-00	SPRING, TORSION	1	
10	93430-04002-00	CIRCLIP	1	

Not For Resale

[www.SmallEngineDiscount.com](http://www.SmallEngineDiscount.com)

# SHROUD

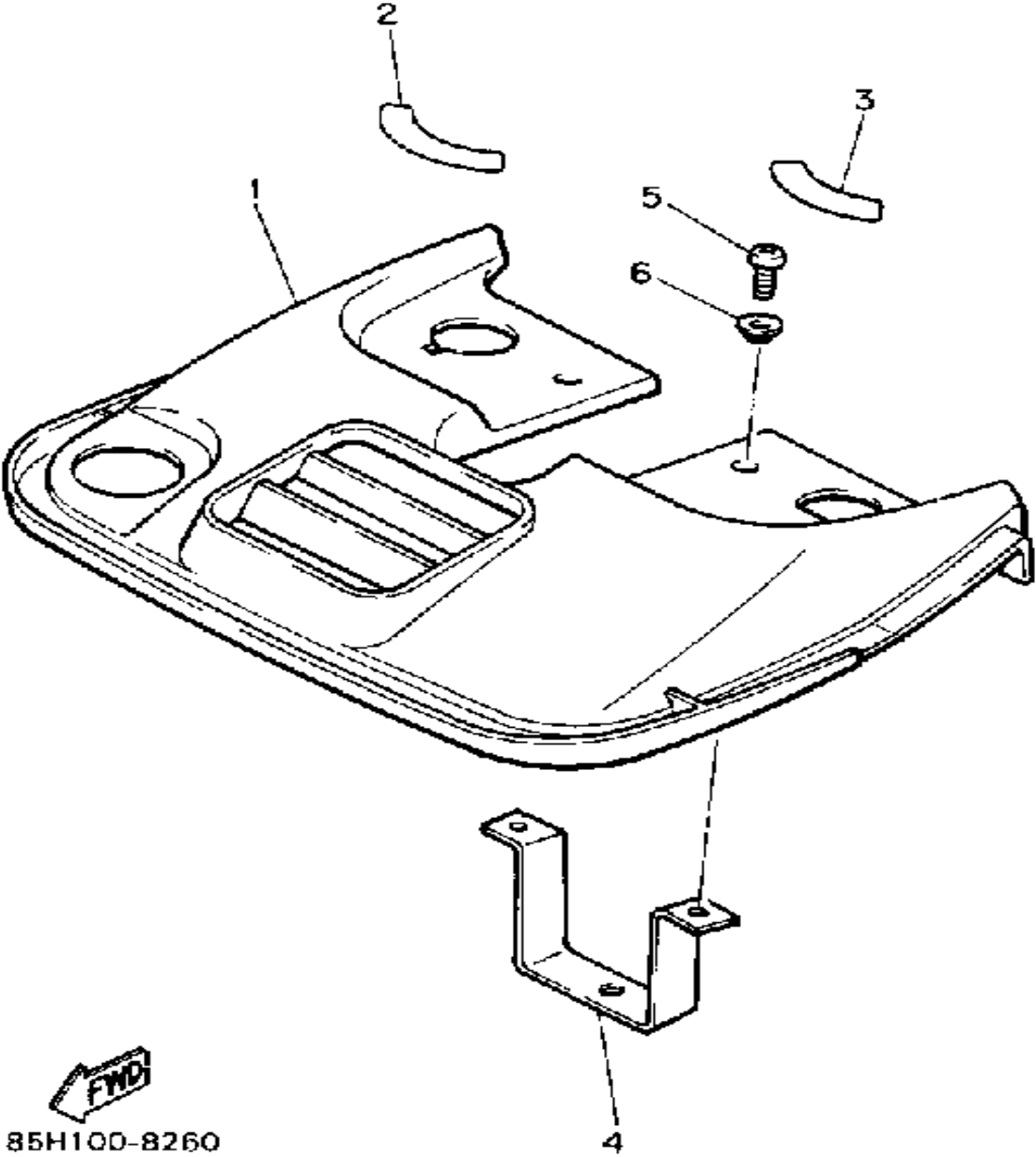


Ref. No.	Part Number	Description	Qty	Remarks
1	85G-77111-00-00	SHROUD .....	1	UR HEAT RED
	85G-77111-00-00	SHROUD .....	1	UR YAMAHA BLK
2	85G-77261-00-00	LINING, SHROUD 1 .....	1	
3	85G-77351-10-00	EMBLEM 1 .....	1	
4	99241-00030-00	EMBLEM 1 .....	1	
5	85G-77742-00-00	INDICATOR 2 .....	1	
6	878-77744-00-00	INDICATOR 4 .....	1	
7	878-77745-00-00	INDICATOR 5 .....	1	
8	85X-77761-00-00	LABEL, WARNING 1 .....	1	UR
9	98903-06012-00	SCREW, BIND .....	5	
10	90387-062M9-00	COLLAR .....	5	
11	85G-77762-00-00	LABEL, WARNING 2 .....	1	UR

Not For Resale

[www.SmallEngineDiscount.com](http://www.SmallEngineDiscount.com)

# INSTRUMENT PANEL

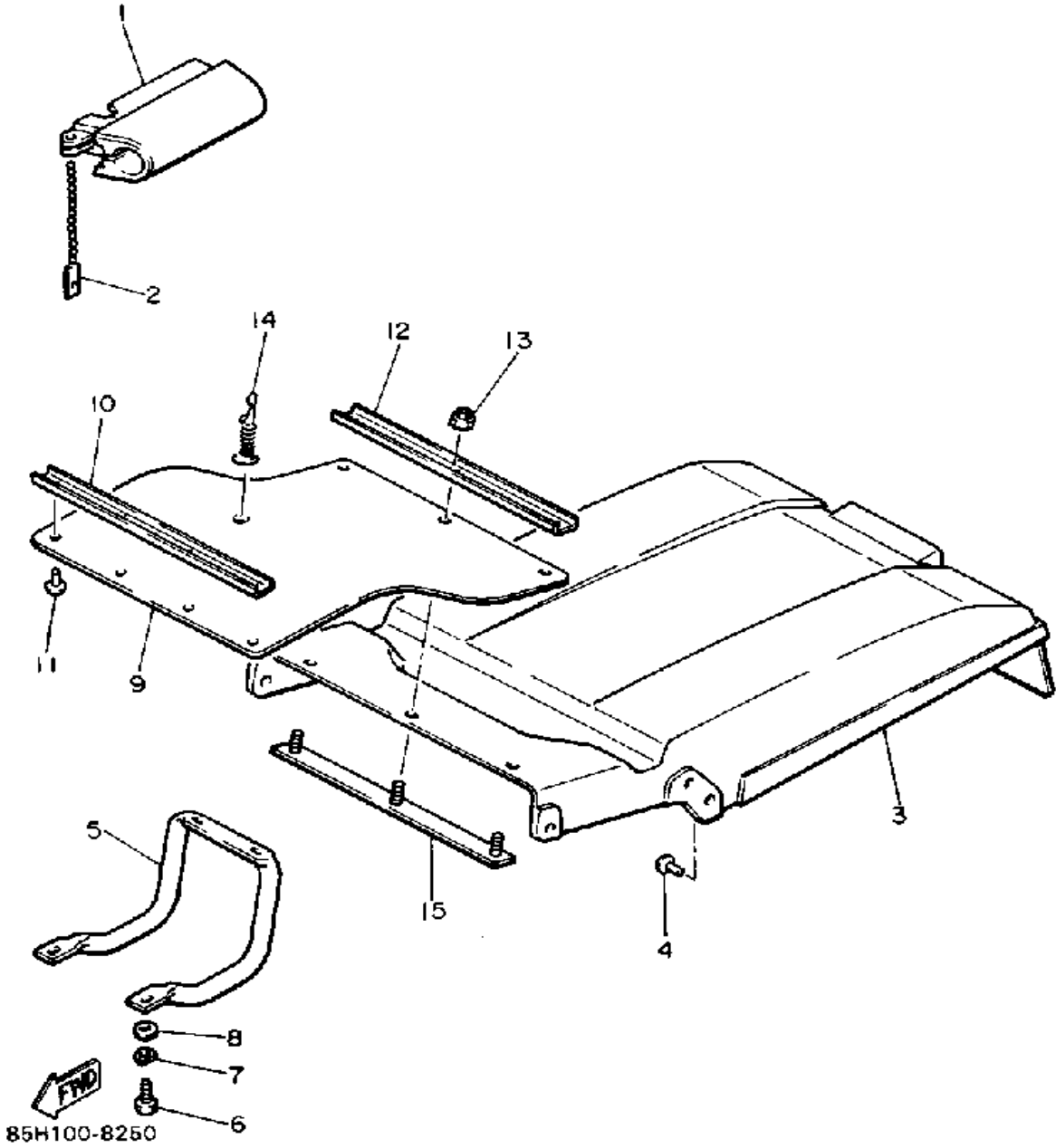


Ref. No.	Part Number	Description	Qty	Remarks
1	85G-77711-00-00	PANEL, INSTRUMENT .....	1	
2	8Y7-77741-00-00	INDICATOR 1 .....	1	
3	8K4-77742-00-00	INDICATOR 2 .....	1	
4	85G-77721-00-00	BRACKET 1 .....	1	
5	98906-06014-00	SCREW, BIND .....	2	
6	90387-062M9-00	COLLAR .....	2	

  
 85H100-8260

Not For Resale  
[www.SmallEngineDiscount.com](http://www.SmallEngineDiscount.com)

# BUMPER



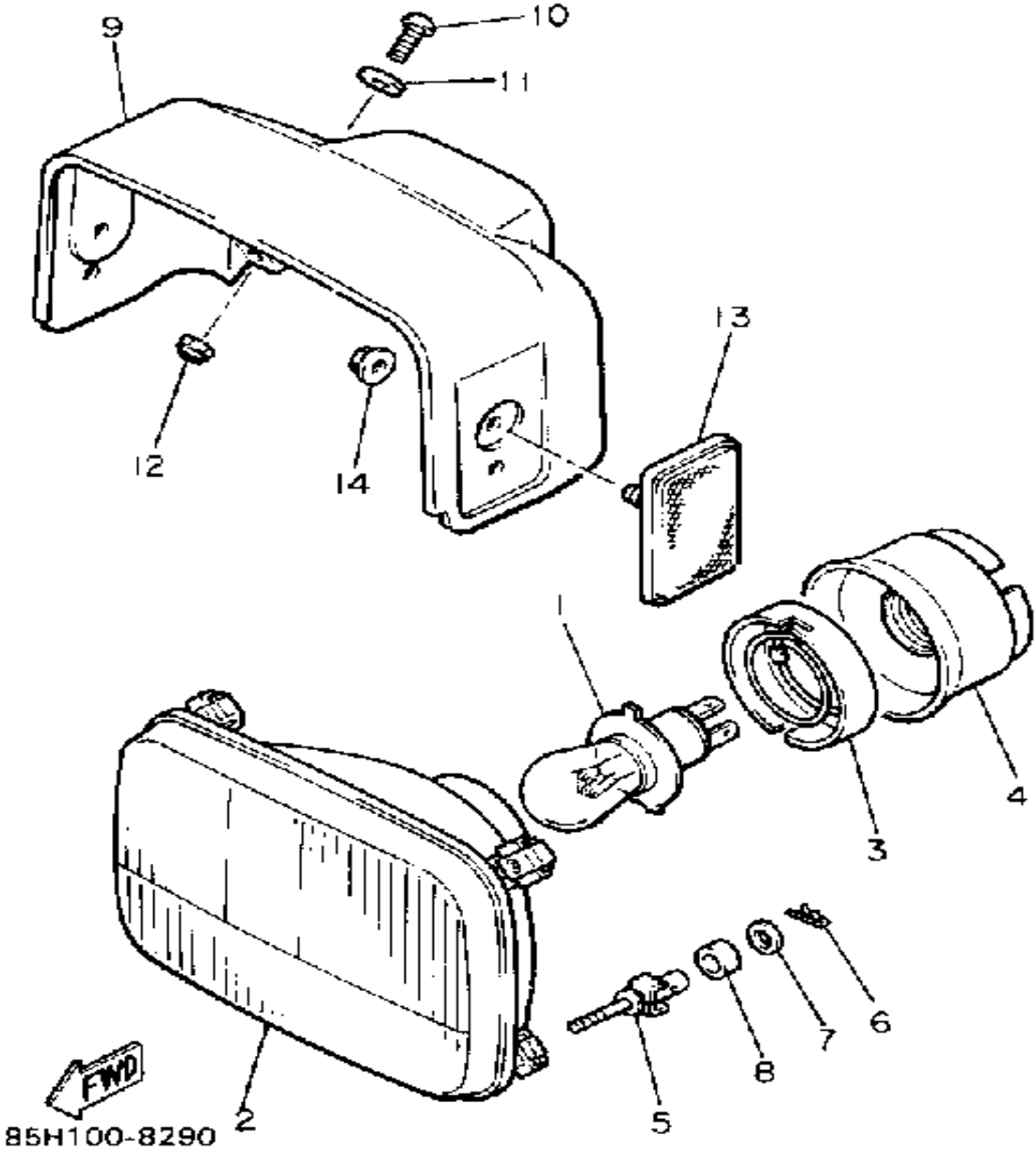
Ref. No.	Part Number	Description	Qty	Remarks
1	85G-77563-00-00	COVER, 3	2	
2	90464-20031-00	CLAMP	4	
3	85G-77564-00-00	COVER, 4	1	
4	90267-48059-00	RIVET, BLIND	6	
5	85G-77551-00-00	PROTECTOR 1	1	
6	97313-08020-00	BOLT, HEXAGON	4	
7	92990-08100-00	WASHER	4	
8	92990-08600-00	WASHER, PLATE	4	
9	85G-77595-00-00	FLAP	1	
10	85G-77593-00-00	PLATE, FLAP 1	1	
11	90267-48079-00	RIVET, BLIND	4	
12	85G-77594-00-00	PLATE, FLAP 2	1	
13	95706-06300-00	NUT, NYLON	3	
14	85G-77586-00-00	SPRING 1	1	
15	85G-77596-00-00	STOPPER, FLAP	1	

85H100-8250

Not For Resale  
[www.SmallEngineDiscount.com](http://www.SmallEngineDiscount.com)



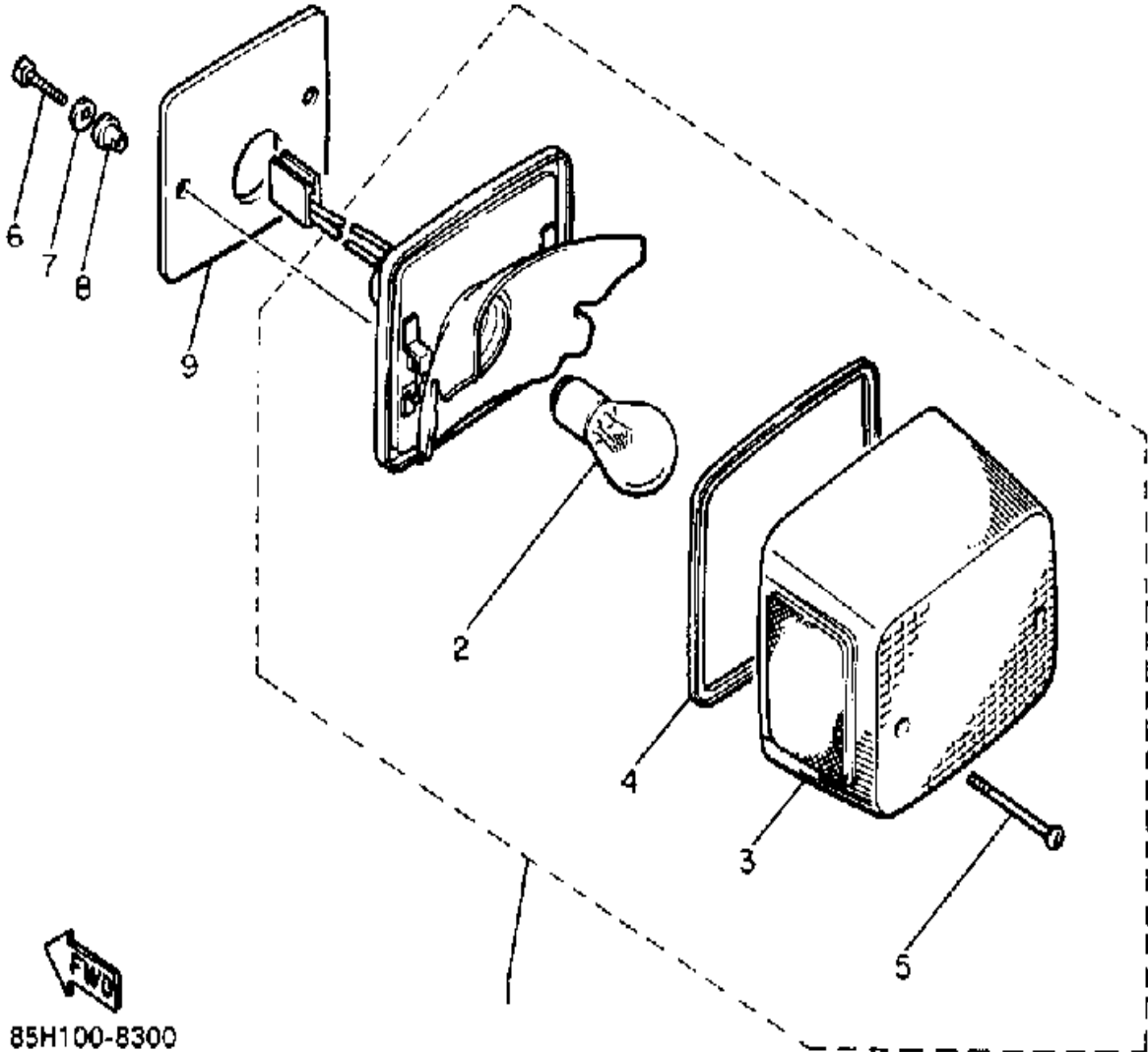
# HEADLIGHT



Ref. No.	Part Number	Description	Qty	Remarks
1	8A7-84314-00-00	BULB (12V-60/60W)	1	
2	85G-84320-00-00	LENS ASSEMBLY	1	
3	8A7-84312-00-00	HOLDER, SOCKET	1	
4	8A7-84397-01-00	COVER, SOCKET	1	
5	8V0-84331-00-00	SCREW, RIM ADJUSTING	4	
6	8V0-84374-00-00	CLIP	4	
7	8V0-84327-00-00	WASHER, SPECIAL	4	
8	8V0-84366-00-00	DAMPER, HEADLIGHT 1	4	
9	85G-84311-00-00	BODY, HEADLIGHT	1	
10	98506-06035-00	SCREW, PAN HEAD	2	
11	92906-06200-00	WASHER	2	
13	23V-85110-00-00	REFLECTOR ASSEMBLY	2	
14	95701-05500-00	NUT, FLANGE	2	

Not For Resale  
[www.SmallEngineDiscount.com](http://www.SmallEngineDiscount.com)

# TAILLIGHT



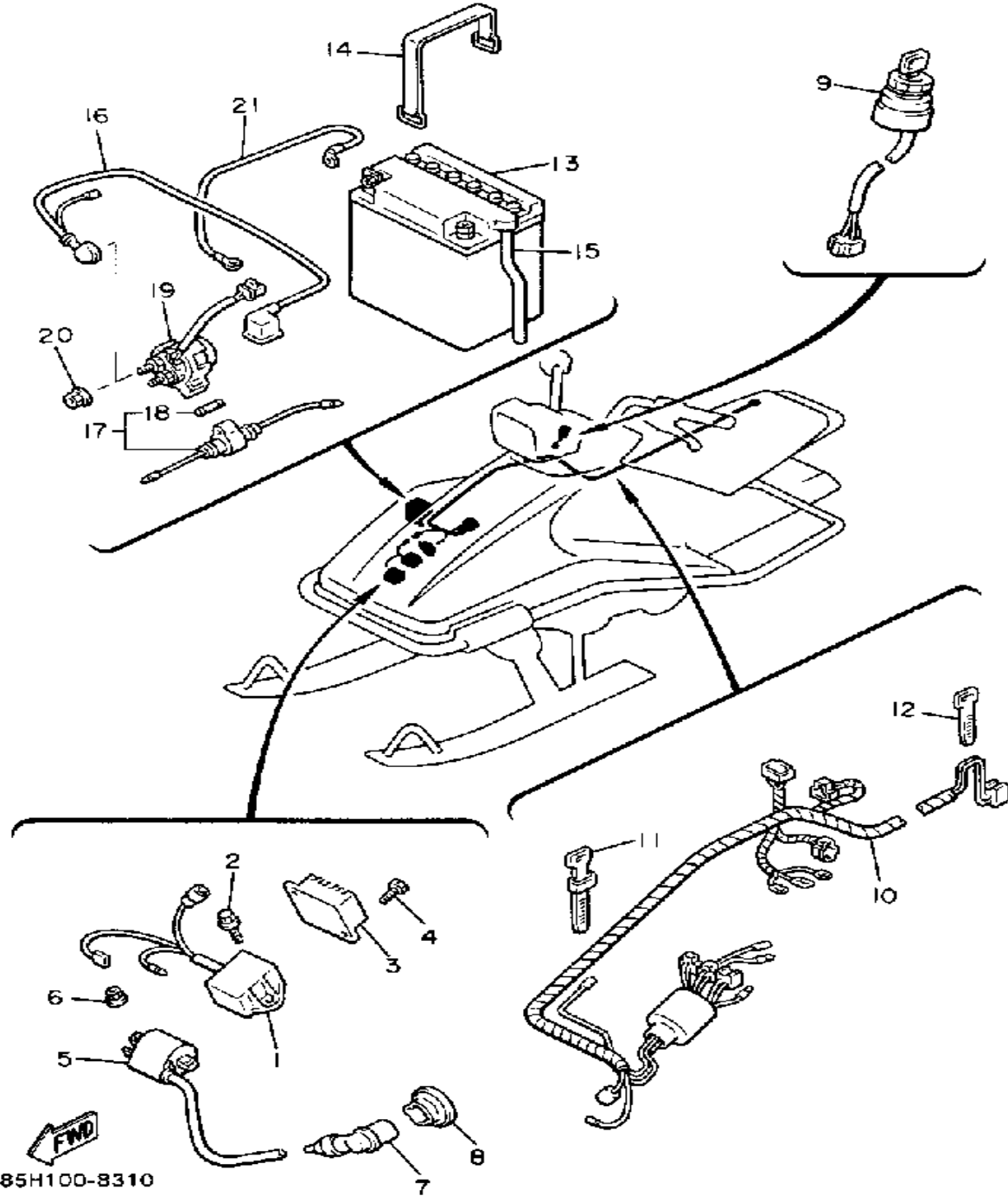
85H100-8300

Ref. No.	Part Number	Description	Qty	Remarks
1	85G-84710-00-00	TAILLIGHT UNIT ASSEMBLY ..	1	
2	137-84714-61-00	BULB, TL 12V23/8W (J50-83311-00) .....	1	
3	85G-84721-00-00	LENS, TAILLIGHT .....	1	
4	1M1-84523-60-00	GASKET, LENS .....	1	
5	1M1-84524-60-00	SCREW, LENS FITTING .....	1	
6	1M1-84526-60-00	SCREW .....	2	
7	90201-08103-00	WASHER, PLAIN .....	2	
8	1M1-84527-60-00	DAMPER .....	2	
9	1M1-84512-60-00	SEAT, BASE .....	1	

Not For Resale

www.SmallEngineDiscount.com

# ELECTRICAL 1

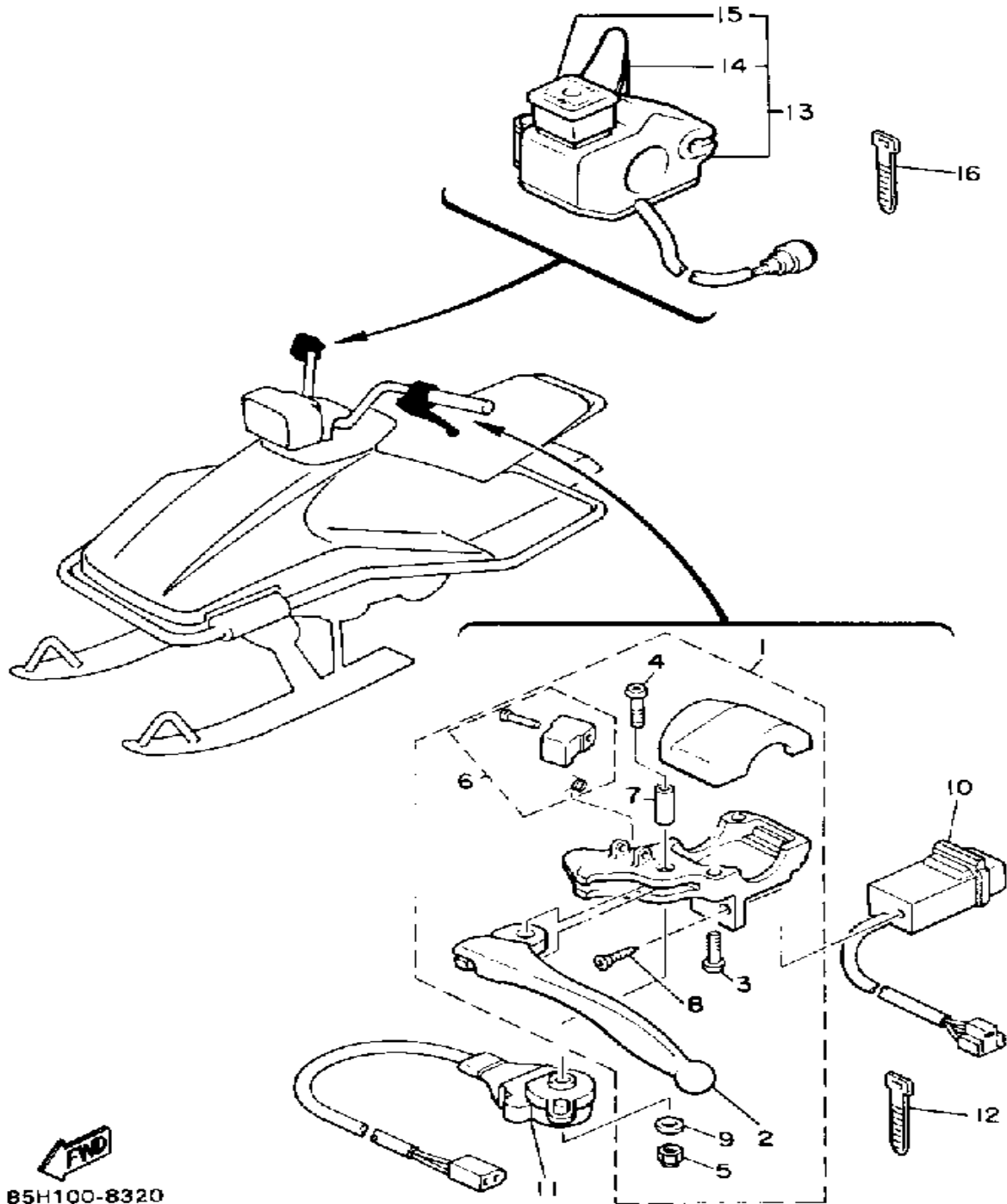


Ref. No.	Part Number	Description	Qty	Remarks
1	85G-85540-M0-00	CDI UNIT ASSEMBLY	1	
2	95811-06016-00	BOLT, FLANGE (95822-06016)	1	
3	85G-81960-60-00	RECT/REG ASSEMBLY	1	
4	97001-05012-00	BOLT (97002-05012)	2	
5	85G-82310-M0-00	IGNITION COIL ASSEMBLY	1	
6	95701-06500-00	NUT, FLANGE	2	
7	85G-82370-20-00	PLUG CAP ASSEMBLY	1	
8	5G3-82372-00-00	SEAL, PLUG CAP	1	
9	8K1-82508-20-00	MAIN SWITCH ASSEMBLY	1	
10	85H-82590-20-00	WIRE HARNESS ASSEMBLY	1	
11	437-83936-11-00	BAND, SWITCH CORD	6	
12	437-83936-01-00	BAND, SWITCH CORD	3	
13	BTG-GM73B-10-00	GS GM7-3B 1	1	UR
14	8R4-2811G-00-00	BAND	1	
15	(90445-08045-00)	HOSE	1	
16	85H-82115-00-00	WIRE, PLUS LEAD	1	
17	2J2-82150-10-00	FUSE HOLDER ASSEMBLY	1	
18	682-82151-00-00	FUSE (20A)	2	
19	3AY-81940-00-00	STARTER RELAY ASSEMBLY	1	
20	95701-06500-00	NUT, FLANGE	2	
21	85H-82116-00-00	WIRE, MINUS LEAD	1	

Not For Resale

www.SmallEngineDiscount.com

# ELECTRICAL 2



Ref. No.	Part Number	Description	Qty	Remarks
1	88R-W8291-00-00	LEVER HOLDER ASSEMBLY (LEFT)	1	
2	8H8-83912-00-00	LEVER 1	1	
3	90157-05027-00	SCREW, PAN HEAD	2	
4	98501-05040-00	SCREW, PAN HEAD (98502-05040)	1	
5	95701-05300-00	NUT, NYLON	1	
6	82A-83930-00-00	LEVER LOCK ASSEMBLY	1	
7	802-83913-00-00	COLLAR, LEVER 1	1	
8	97780-30312-00	SCREW, tapping	2	
9	92990-05200-00	WASHER, PLAIN	1	
10	8H8-83950-01-00	BEAM SWITCH ASSEMBLY (8K4-83950-01-00)	1	
11	8R4-82530-00-00	STOP SWITCH ASSEMBLY	1	
12	437-83936-01-00	BAND, SWITCH CORD	1	
13	85G-82720-00-00	LVR HOLDER ASSEMBLY RT	1	
14	8V0-42138-00-00	LEVER, THROTTLE	1	
15	85G-82575-09-00	KILL SWITCH	1	
16	437-83936-01-00	BAND, SWITCH CORD	2	

FWD  
85H100-8320

Not For Resale  
www.SmallEngineDiscount.com