



YAMAHA

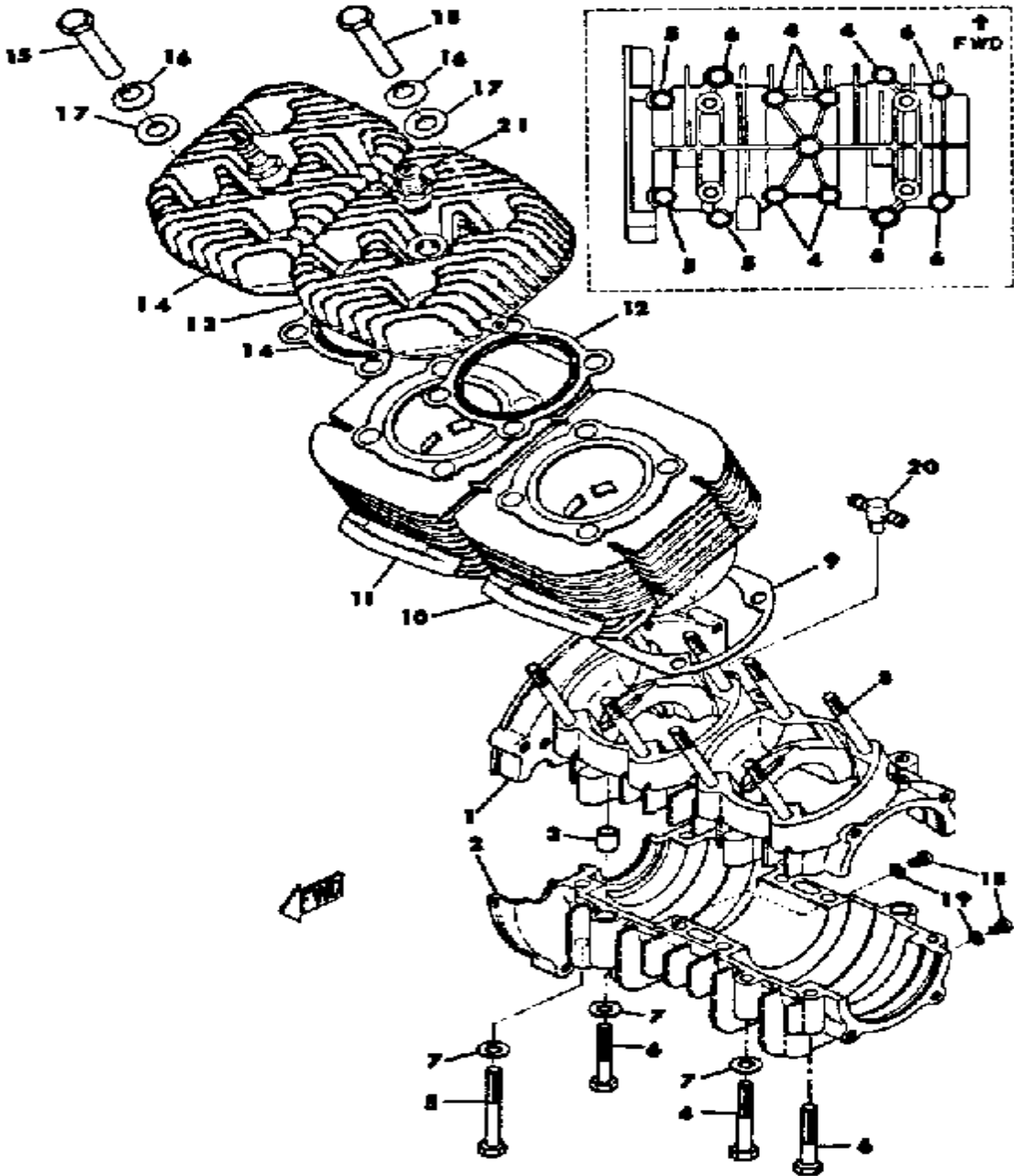
GENUINE

PARTS CATALOGUE

SNOWMOBILE

Property of www.SmallEngineDiscount.com - Not for Resale

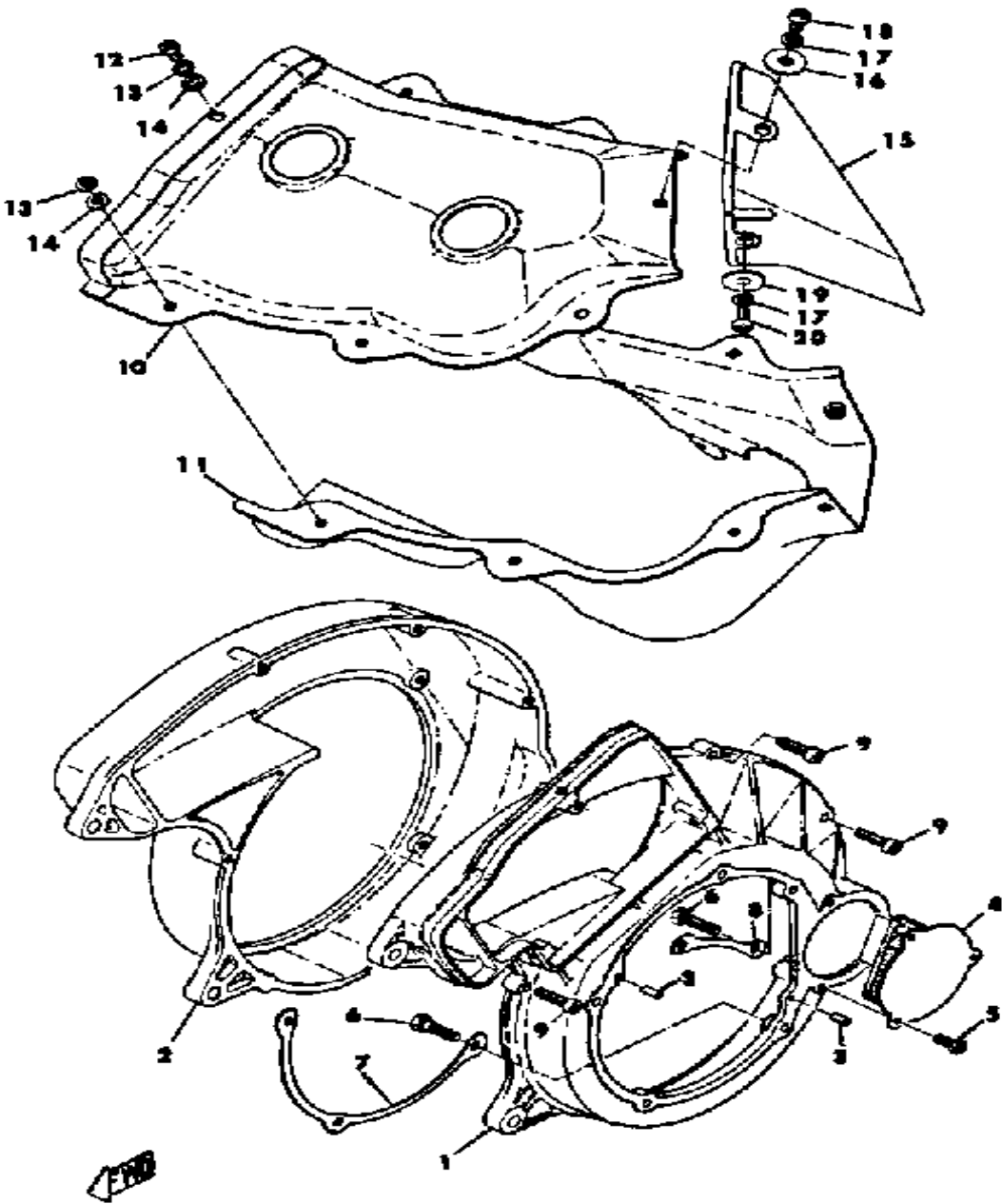
CRANKCASE - CYLINDER



Ref. No.	Part Number	Description	Qty	Remarks
1	UNA-VAILA-BL-EI	0 0		
2	UNA-VAILA-BL-EI	0 0		
3	99510-12016-00	PIN, DOWEL	2	
4	97013-08060-00	BOLT (663)	5	
5	97021-08070-00	BOLT	3	
6	97313-08050-00	BOLT, HEXAGON (90101-08125)	4	
7	92990-08200-00	WASHER, PLAIN	10	
8	90116-08064-00	BOLT, STUD	8	
9	857-11351-00-00	GASKET, CYLINDER	2	
10	(826-11311-00-00)	CYLINDER 1	1	
11	(826-11321-00-00)	CYLINDER 2	1	
12	818-11181-00-00	GASKET, CYLINDER HEAD 1 .	2	
13	(819-11111-00-00)	HEAD, CYLINDER 1	1	
14	(819-11121-00-00)	HEAD, CYLINDER 2	1	
15	90179-08090-00	NUT, SPEC'L SHAPE	8	
16	90208-12015-00	WASHER, CONICAL SPRING ..	8	
17	92990-12200-00	WASHER, PLAIN	8	
18	98580-06010-00	SCREW, PAN HEAD (92503-06010)	2	
19	90430-06017-00	GASKET	2	
20	J38-11116-00-00	JOINT, BREATHER	1	
21	NGK-B7HS0-00-00	PLUG, SPARK (NGK B7HS) ...	2	
-1	(821-15100-00-00)	CRANKCASE ASSEMBLY	1	

Property of www.SmallEngineDiscount.com - Not for Resale

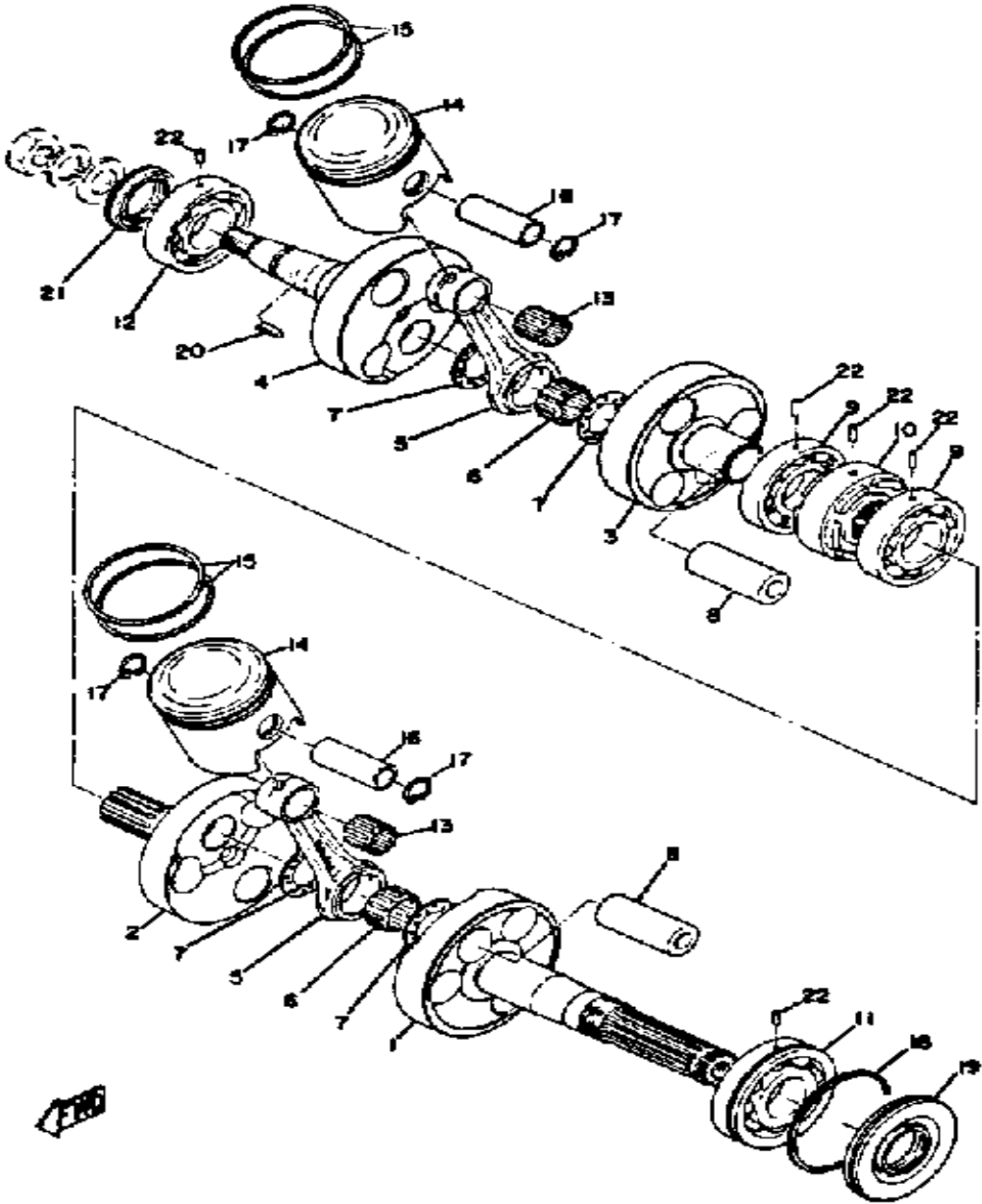
FAN CASE - AIR SHROUD



Ref. No.	Part Number	Description	Qty	Remarks
1	(821-12621-00-00)	CASE, FAN	1	
	(838-12621-00-00)	CASE, FAN	1	
2	(821-12622-00-00)	CASE, FAN 2	1	
	838-12622-00-00	CASE, FAN 2	1	
3	93604-14012-00	PIN, DOWEL	2	
4	(821-12633-00-00)	PLATE	1	
5	98580-05010-00	SCREW, PAN HEAD	2	
6	(807-12623-00-00)	BOLT	5	
7	(807-12624-00-00)	WASHER, LOCK 1	1	
	(838-12624-00-00)	WASHER, LOCK 1	5	
8	(807-12625-00-00)	WASHER, LOCK 2	1	
9	98506-06025-00	SCREW, PAN HEAD	6	
10	(826-12651-00-00)	AIR SHROUD, CYLINDER 1	1	
11	(826-12652-00-00)	AIR SHROUD, CYLINDER 2	1	
12	98516-06012-00	SCREW, PAN HEAD	10	
13	92906-06100-00	WASHER, SPRING	10	
14	92990-06200-00	WASHER	10	
15	(811-12661-00-00)	DUCT	1	
16	(90387-07034-00)	COLLAR	2	
17	92995-06100-00	WASHER, SPRING	3	
18	98906-06016-00	SCREW, BIND	2	
19	90387-07037-00	COLLAR	1	
20	98906-06020-00	SCREW, BIND	1	

Property of www.SmallEngineDiscount.com - Not for Resale

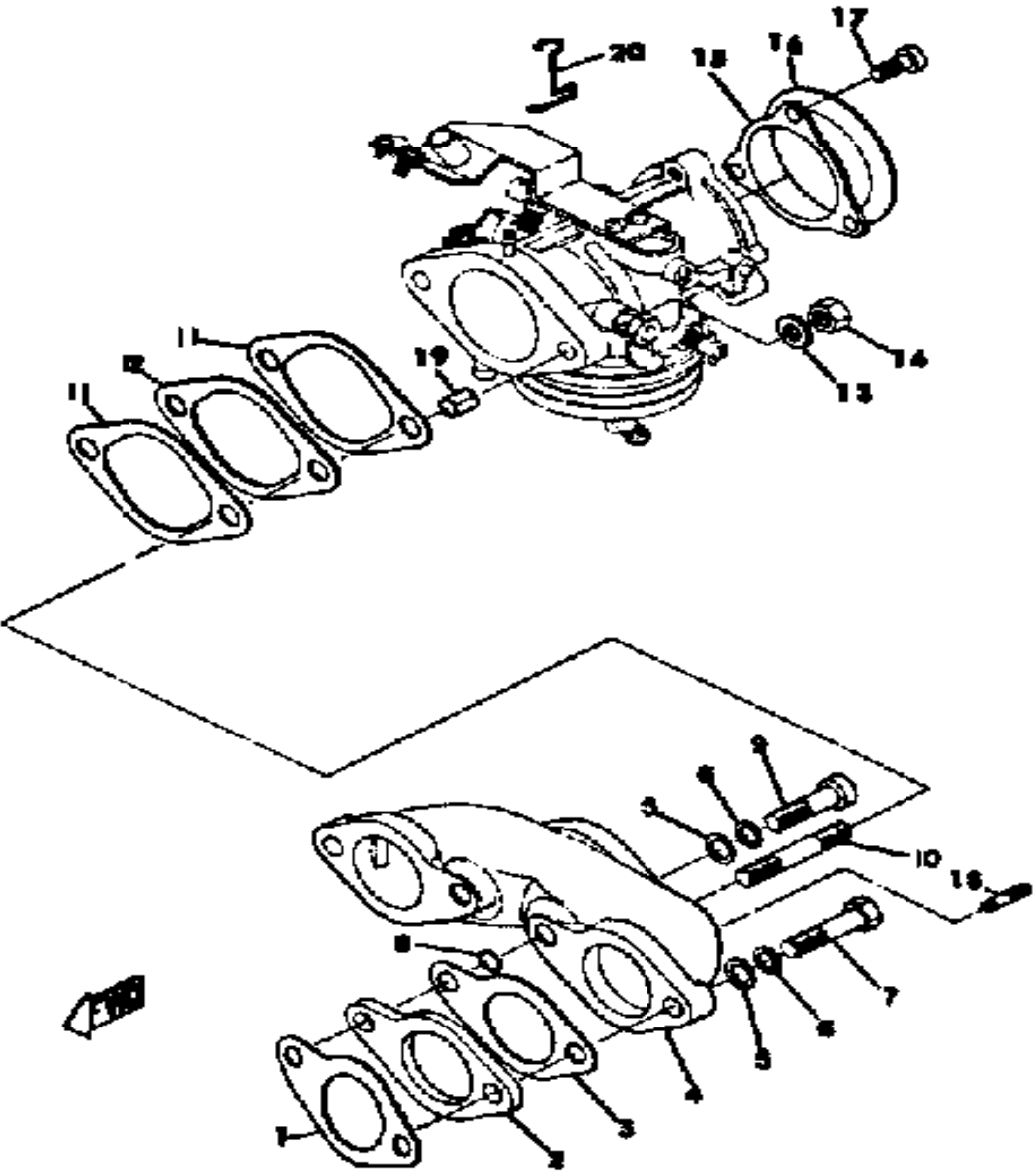
CRANKSHAFT - PISTON



Ref. No.	Part Number	Description	Qty	Remarks
1	UNA-VAILA-BL-EI	0 0		
2	UNA-VAILA-BL-EI	0 0		
3	UNA-VAILA-BL-EI	0 0		
4	UNA-VAILA-BL-EI	0 0		
5	235-11651-00-00	. ROD, CONNECTING	2	
6	93310-42434-00	. BEARING, CYLINDER.# 0 ...	2	
7	90209-24073-00	. WASHER	4	
8	168-11681-00-00	. PIN, CRANK 1	2	
9	93306-20633-00	. BEARING	2	
10	811-11515-00-00	. SEAL, LABYRINTH 1	1	
11	93306-30603-00	. BEARING	1	
12	93306-20612-00	. BEARING (93306-20602) B6206 C3 SPECIAL	1	
13	93310-21874-00	BEARING, CYLINDER.# 0	2	
14	819-11631-01-96	PISTON STD	2	
	819-11635-01-00	PISTON 1 O/S 0.25 (819-11635-00)	2	ALTERNATE PART
	819-11636-01-00	PISTON 2 O/S 0.50 (819-11636-00)	2	ALTERNATE PART
15	(818-11611-10-00)	RING, PISTON 1ST	2	ALTERNATE PART
	(818-11611-20-00)	RING, PISTON 2ND	2	ALTERNATE PART
	818-11601-00-00	PISTON RINGSET STD	2	
16	818-11633-00-00	PIN, PISTON	2	
17	93450-20026-00	CIRCLIP	4	
18	93440-78011-00	CIRCLIP, OUTER	1	
19	93103-32054-00	OIL SEAL, SW-TYPE	1	
20	90280-16053-00	KEY, WOODRUFF	1	
21	93103-32156-00	OIL SEAL	1	
22	93604-12037-00	PIN, DOWEL	5	
-1	UNA-VAILA-BL-EI	0 0		

Property of www.SmallEngineDiscount.com - Not for Resale

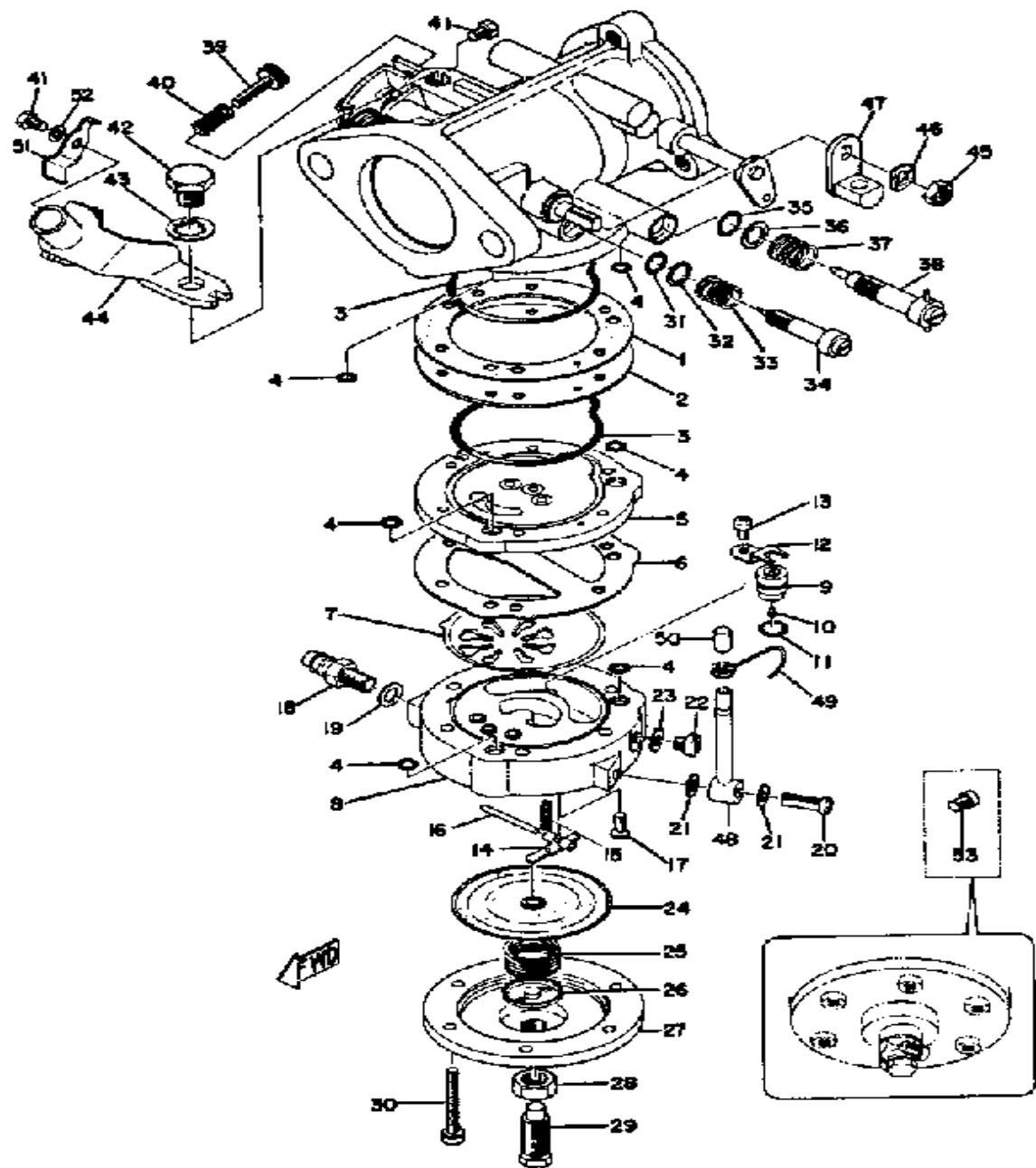
INTAKE



Ref. No.	Part Number	Description	Qty	Remarks
1	811-13556-00-00	GASKET, MANIFOLD	2	
2	(8F1-13555-00-00)	MANIFOLD, INTAKE	2	
3	811-13563-00-00	GASKET	2	
4	(826-13565-00-00)	JOINT, CARBURETOR	1	
5	92990-08200-00	WASHER, PLAIN	4	
6	92990-08100-00	WASHER	4	
7	97313-08035-00	BOLT, HEXAGON	2	
8	93210-07540-00	O-RING	2	
9	91316-08030-00	BOLT, SOCKET HEAD	2	
10	(90116-08045-00)	BOLT, STUD	2	
11	810-13566-00-00	GASKET	2	
12	824-13585-00-00	JOINT, CARBURETOR	1	
13	92990-08100-00	WASHER	2	
14	95303-08700-00	NUT	2	
15	(810-14479-00-00)	FUNNEL	1	
16	92990-06200-00	WASHER	3	
17	98580-06010-00	SCREW, PAN HEAD (92503-06010)	3	
18	824-13552-00-00	NOZZLE	2	
19	(810-13576-00-00)	SPACER	2	
20	822-41222-00-00	CLAMP, THROTTLE	1	

Property of www.SmallEngineDiscount.com - Not for Resale

CARBURETOR

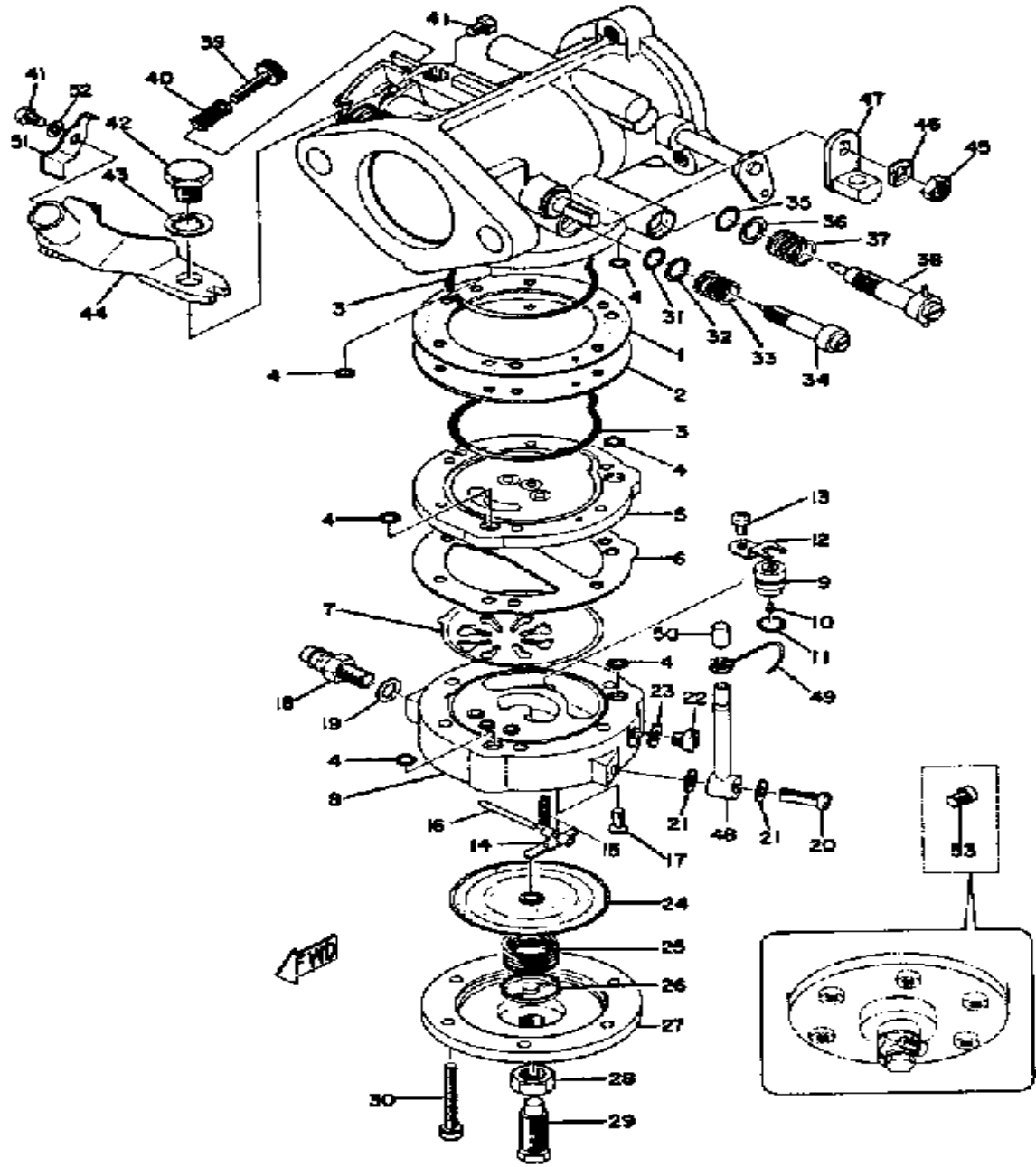


Ref. No.	Part Number	Description	Qty	Remarks
1	806-14536-00-00	. GASKET	1	
2	806-14541-00-00	. DIAPHRAGM, PUMP	1	
3	806-14562-00-00	. O-RING	2	
4	810-14561-00-00	. O-RING	6	
5	(824-14542-00-00)	BODY, PUMP 1	1	
6	(806-14553-00-00)	GASKET	1	
7	806-14552-01-00	. VALVE, CHECK	1	
8	(810-14543-00-00)	BODY, PUMP 2	1	
9	(824-14590-00-00)	VALVE SEAT ASSEMBLY	1	
10	676-14186-00-00	. PIN, FLOAT	1	
11	810-24486-00-00	. O-RING	1	
12	(810-14549-00-00)	PLATE, PIN FITTING	1	
13	98580-03008-00	. SCREW, PAN HEAD	1	
14	(810-14547-00-00)	ARM, FLOAT	1	
15	810-14556-00-00	. SPRING	1	
16	(806-14548-00-00)	PIN, FLOAT ARM	1	
17	98702-03008-00	. SCREW, FLAT HEAD	1	
18	(810-14568-00-00)	JOINT	1	
19	(810-14558-00-00)	WASHER	1	
20	8A1-14592-00-00	. SCREW	1	
21	806-14559-00-00	. WASHER	2	
22	(806-14567-01-00)	SCREW	1	
23	810-14597-00-00	. WASHER	1	
24	810-14545-00-00	. DIAPHRAGM	1	
25	(810-14555-00-00)	SPRING	1	
26	(810-14136-00-00)	SEAT, SPRING	1	
27	(810-14544-00-00)	BODY, PUMP 3	1	
28	95303-08700-00	. NUT	1	
29	824-14565-00-00	. SCREW, STOP	1	

CONTINUED ON NEXT FRAME ➤

Property of www.SmallEngineDiscount.com - Not for Resale

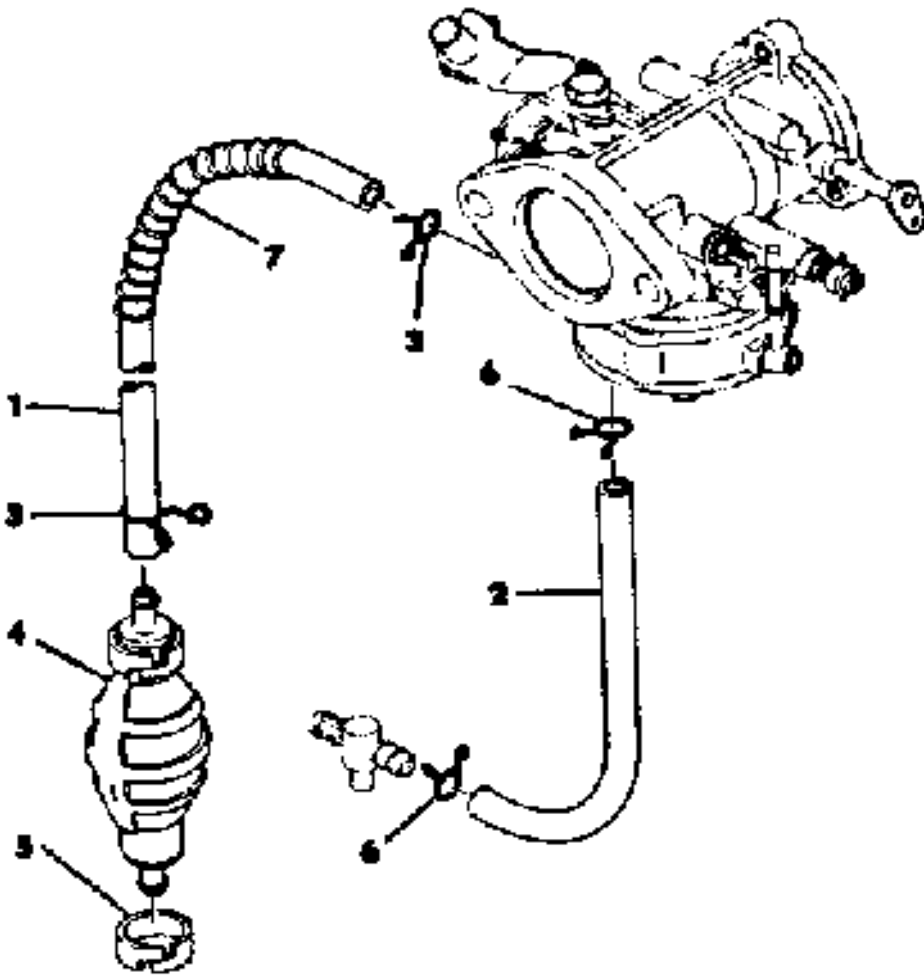
CARBURETOR



Ref. No.	Part Number	Description	Qty	Remarks
30	(824-14567-00-00)	SCREW	6	
31	824-14563-00-00	. O-RING	1	
32	806-14596-00-00	. WASHER	1	
33	(824-14531-00-00)	SPRING, AJST SCREW	1	
34	824-14522-00-00	. SCREW, ADJUST	1	
35	824-14564-00-00	. O-RING	1	
36	824-14597-00-00	. WASHER	1	
37	(824-14533-00-00)	SPRING, AJST SCREW	1	
38	(824-14521-00-00)	SCREW, ADJUST	1	
39	(810-14523-00-00)	SCREW, STOP	1	
40	(806-14533-00-00)	SPRING, AJST SCREW	1	
41	(810-14591-00-00)	SCREW	3	
42	97301-08010-00	. BOLT, HEXAGON	1	
43	(92901-08300-00)	WASHER, IN.TOOTH	1	
44	(824-14571-00-00)	BRACKET, THROTTLE	1	
45	(810-14595-00-00)	NUT	1	
46	(806-14599-00-00)	WASHER, LOCK	1	
47	810-14573-00-00	. LEVER	1	
48	810-14197-02-00	. PIPE, AIRVENT	1	
49	(824-14159-00-00)	CLIP	1	
50	810-24462-01-00	. CAP, BLIND	1	
51	(826-14527-00-00)	PLATE	1	
52	92901-04100-00	. WASHER, SPRING	1	
53	98511-04006-00	. SCREW, PAN HEAD (98501-04005)	1	ALTERNATE PART
-1	(826-14501-00-00)	CARBURETOR ASSEMBLY 1 ..	1	

Property of www.SmallEngineDiscount.com - Not for Resale

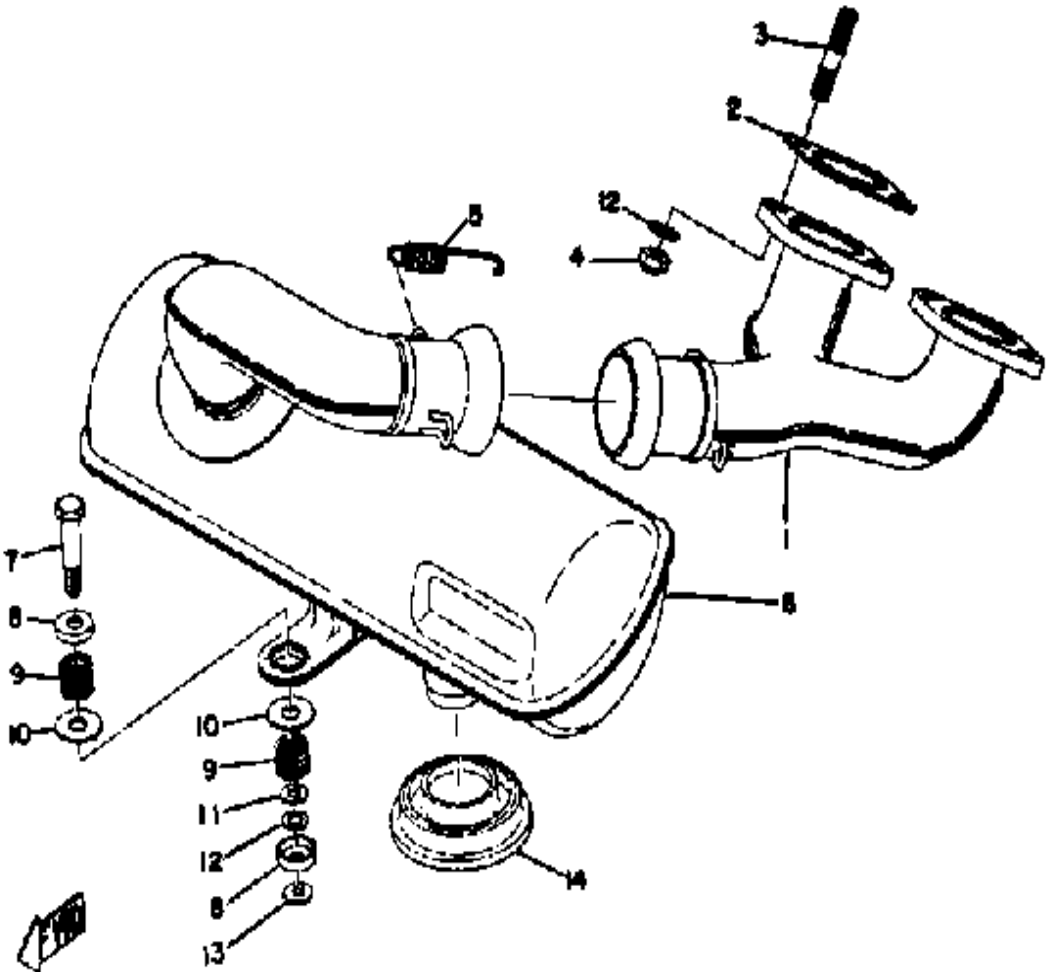
PIPING



Ref. No.	Part Number	Description	Qty	Remarks
1	(90446-11027-00)	HOSE	1	
2	90445-10133-00	HOSE	1	
3	90467-11009-00	CLIP	2	
4	810-24360-00-00	PRIMER PUMP ASSEMBLY ...	1	
5	(601-24353-00-00)	BAND	2	
6	90467-09006-00	CLIP	2	
7	(90445-14159-00)	HOSE	1	

Property of www.SmallEngineDiscount.com - Not for Resale

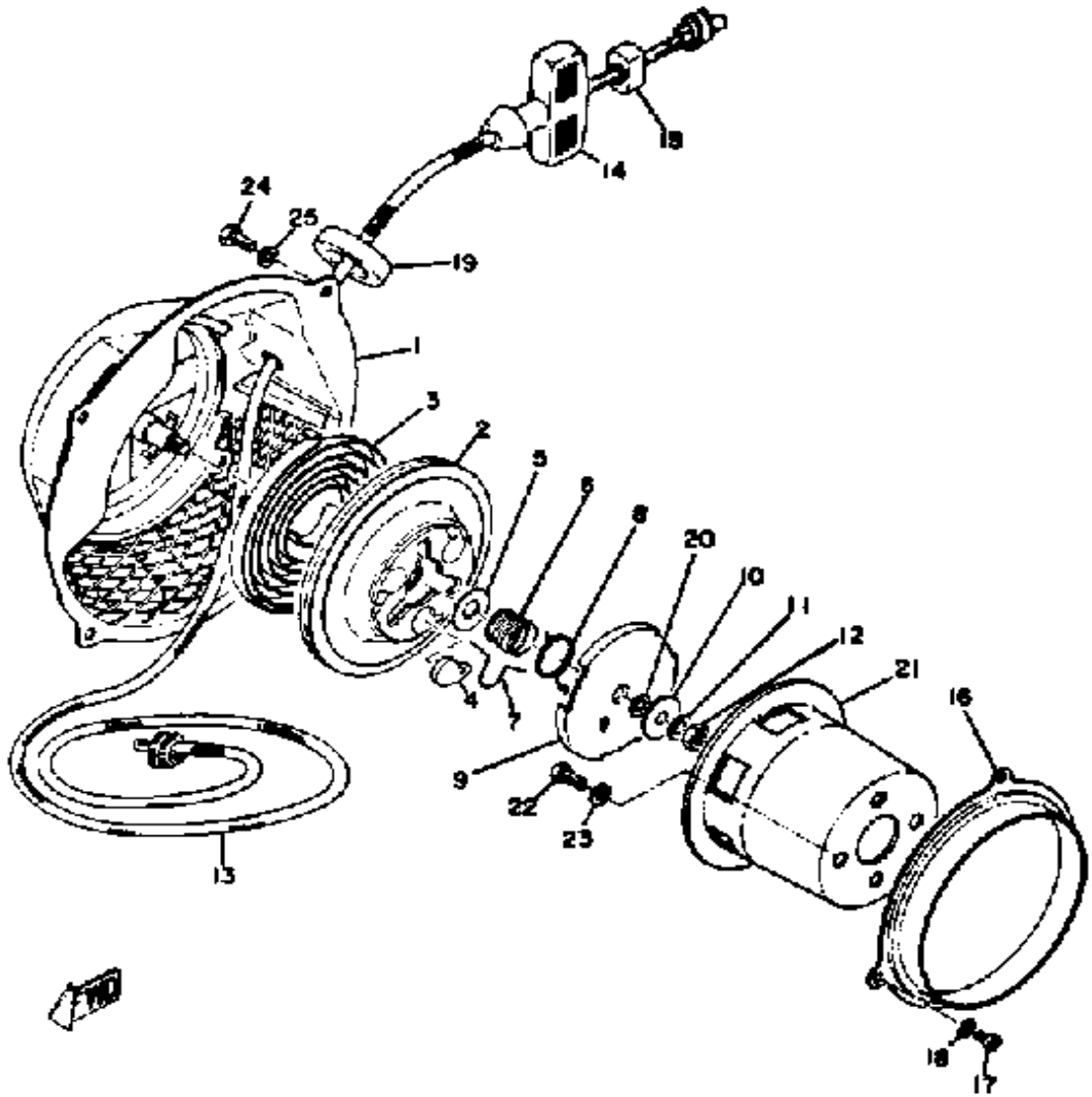
EXHAUST



Ref. No.	Part Number	Description	Qty	Remarks
1	(821-14610-00-00)	EXHAUST PIPE ASSEMBLY L .	1	
2	821-14613-01-00	GASKET, EXHAUST PIPE	2	
3	(90116-08044-00)	BOLT, STUD	4	
4	95611-08100-00	NUT, U	4	
5	821-14773-00-00	SPRING, MUFFLER	2	
6	(821-14710-00-00)	MUFFLER ASSEMBLY L	1	
7	90109-08293-00	BOLT	2	
8	812-14793-00-00	PLATE, SPRING	4	
9	(90501-18115-00)	SPRING, COMPRESSION	4	
10	90201-10437-00	WASHER, PLATE	4	
11	(90560-08065-00)	SPACER	2	
12	92990-08100-00	WASHER	6	
13	(90201-07080-00)	WASHER, PLATE	2	
14	(807-14718-00-00)	PROTECTOR, MUFF 1	1	

Property of www.SmallEngineDiscount.com - Not for Resale

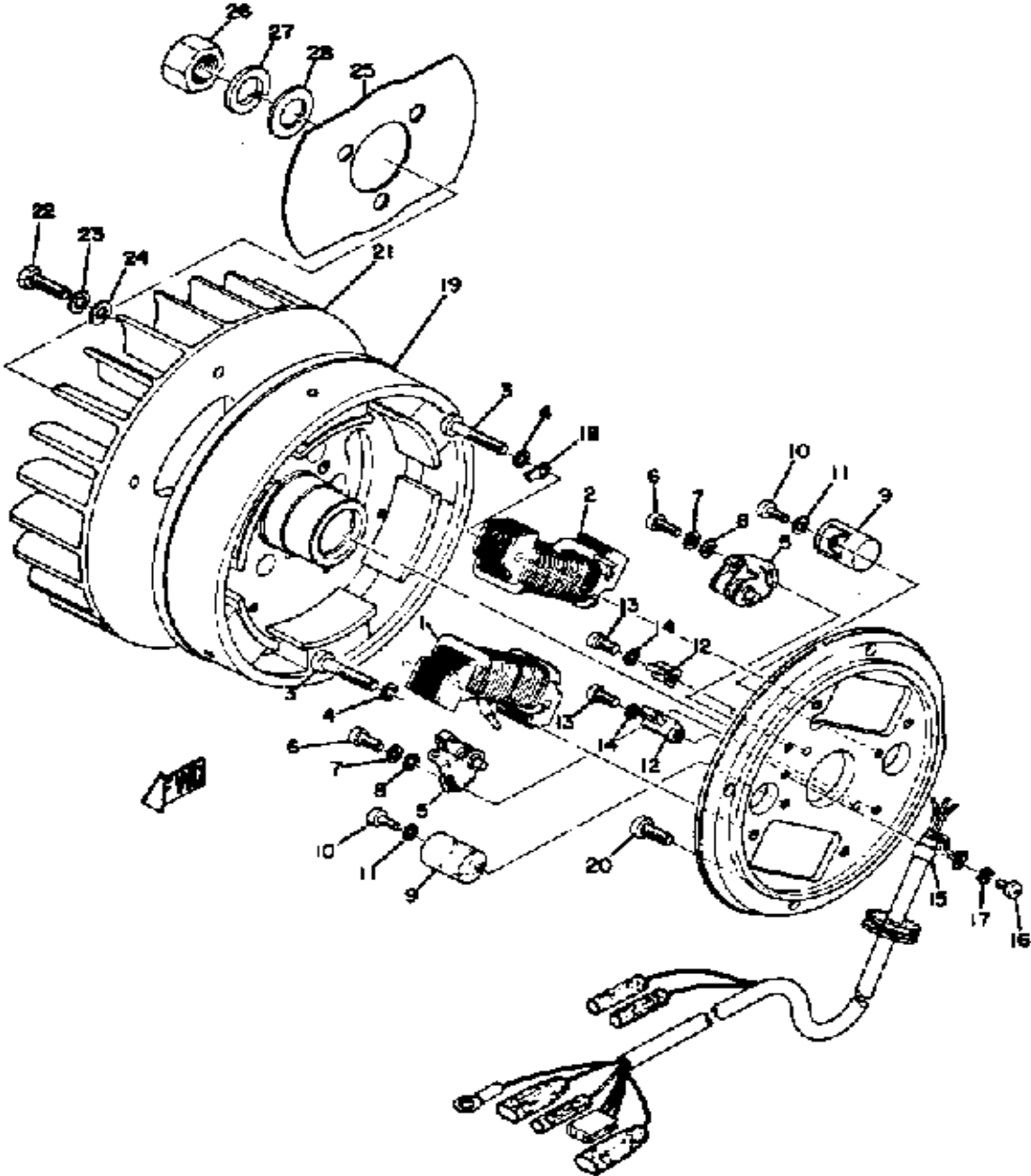
STARTER



Ref. No.	Part Number	Description	Qty	Remarks
1	(821-15711-00-00)	CASE, STARTER	1	N/A - USE 1-1
2	811-15714-00-00	. DRUM, SHEAVE	1	
3	8Y0-15713-00-00	. SPRING, STARTER	1	
4	616-15741-01-00	. PAWL, DRIVE	3	
5	(802-15726-00-00)	WASHER, FLAT	1	
6	626-15715-01-00	. SPRING, DRIVE PLATE (807-15715-00)	1	
7	811-15784-00-00	. SPRING, RETURN	3	
8	811-15734-00-00	. SPRING, RETURN	1	
9	811-15716-00-00	. PLATE, DRIVE	1	
10	807-15726-01-00	. WASHER, FLAT	1	
11	92990-08100-00	. WASHER	1	
12	95303-08700-00	. NUT	1	
13	(807-15751-00-00)	ROPE, STARTER	1	
14	807-15755-00-00	. HANDLE, STARTER	1	
15	619-15756-00-00	. CONNECTOR 1	1	
16	(811-15782-00-00)	COVER, SHEAVE	1	
17	98580-05010-00	. SCREW, PAN HEAD	3	
18	92990-05100-00	. WASHER, SPRING	3	
19	(811-15775-00-00)	KNOB, STOPPER RING	1	
20	(811-15722-00-00)	SHIM	1	
21	(811-15723-00-00)	PULLEY, STARTER	1	
22	97313-08018-00	BOLT, HEXAGON (97301-08016)	3	
23	92990-08100-00	WASHER	3	
24	97313-06016-00	BOLT, HEXAGON	4	
25	92995-06100-00	WASHER, SPRING	4	
-1	(821-15710-00-00)	STARTER ASSEMBLY	1	N/A - USE 0-2
-2	(821-15710-00-00)	STARTER ASSEMBLY	1	
1-1	(821-15711-00-00)	CASE, STARTER	1	

Property of www.SmallEngineDiscount.com - Not for Resale

FLYWHEEL MAGNETO

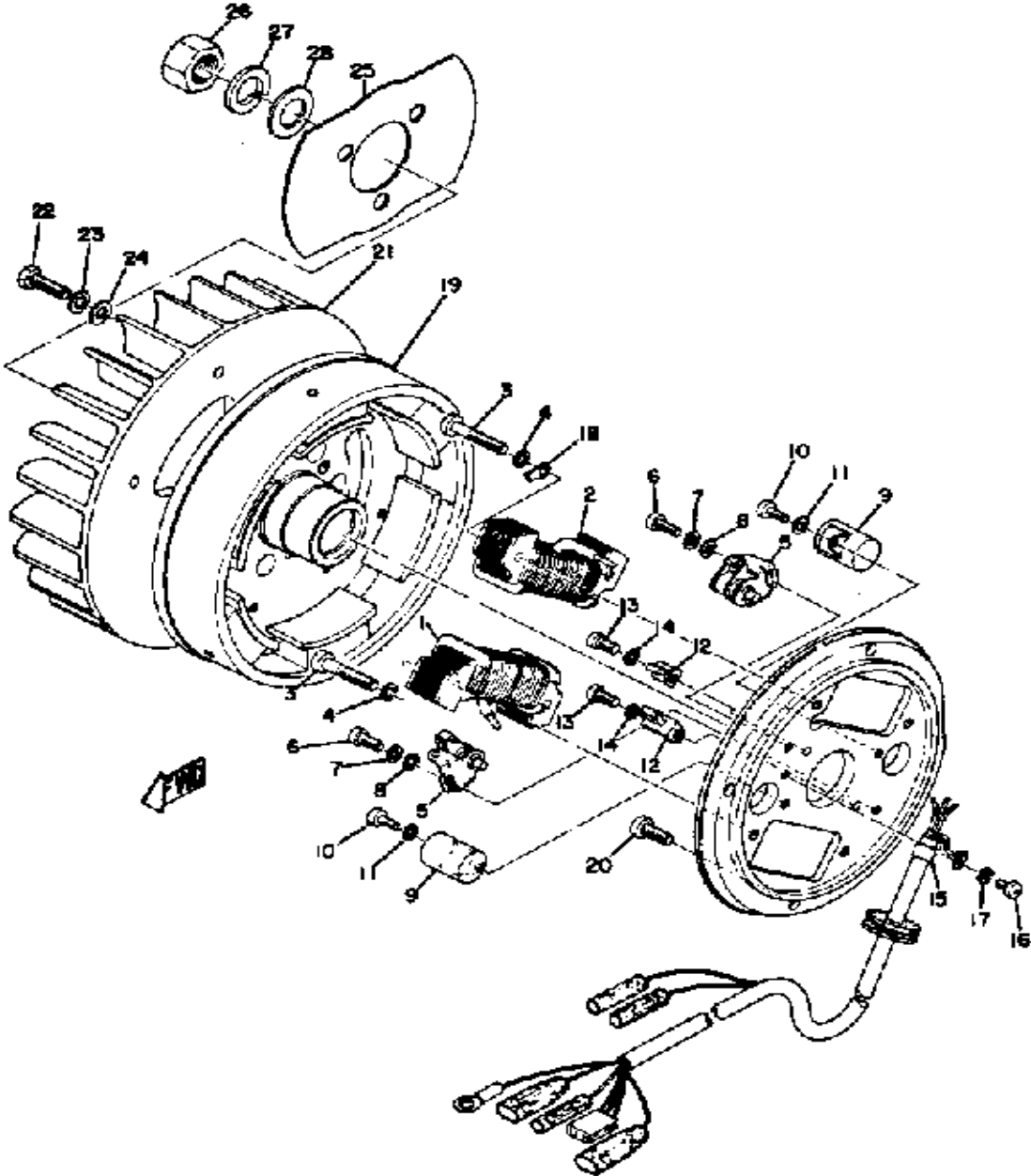


Ref. No.	Part Number	Description	Qty	Remarks
1	(810-81312-20-00)	COIL, SOURCE	1	
2	810-81313-20-00	. COIL, LIGHTING 1	1	
3	98501-05030-00	. SCREW, PAN HEAD	4	
4	92990-05100-00	. WASHER, SPRING	4	
5	806-81321-20-00	. CONTACT BRKR ASSEMBLY	2	
6	110-81346-21-00	. SCREW, PAN HEAD	2	
7	92901-04100-00	. WASHER, SPRING	2	
8	92990-04200-00	. WASHER, PLAIN	2	
9	802-81325-90-00	. CONDENSER 1	2	
10	110-81346-21-00	. SCREW, PAN HEAD	2	
11	92901-04100-00	. WASHER, SPRING	2	
12	116-81331-20-00	. LUBRICATOR	2	
13	110-81346-21-00	. SCREW, PAN HEAD	2	
14	92901-04100-00	. WASHER, SPRING	2	
15	104-81328-20-00	. CLAMP	1	
16	98580-04008-00	. SCREW, PAN HEAD	1	
17	92901-04100-00	. WASHER, SPRING	1	
18	(810-81332-20-00)	PLATE, TIMING	1	
19	(821-81350-20-00)	ROTOR ASSEMBLY	1	
20	98503-06014-00	SCREW, PAN HEAD (92502-06016)	4	
21	818-12611-00-00	FAN	1	
22	(90101-06006-00)	BOLT	8	
23	92995-06100-00	WASHER, SPRING	8	
24	90201-06M08-00	WASHER, PLATE	8	
25	(821-81362-00-00)	COVER, HOLE	1	
26	90170-16182-00	NUT	1	
27	92901-16100-00	WASHER, SPRING	1	
28	90201-16247-00	WASHER, PLATE (807-11557-00)	1	

CONTINUED ON NEXT FRAME ➤

Property of www.SmallEngineDiscount.com - Not for Resale

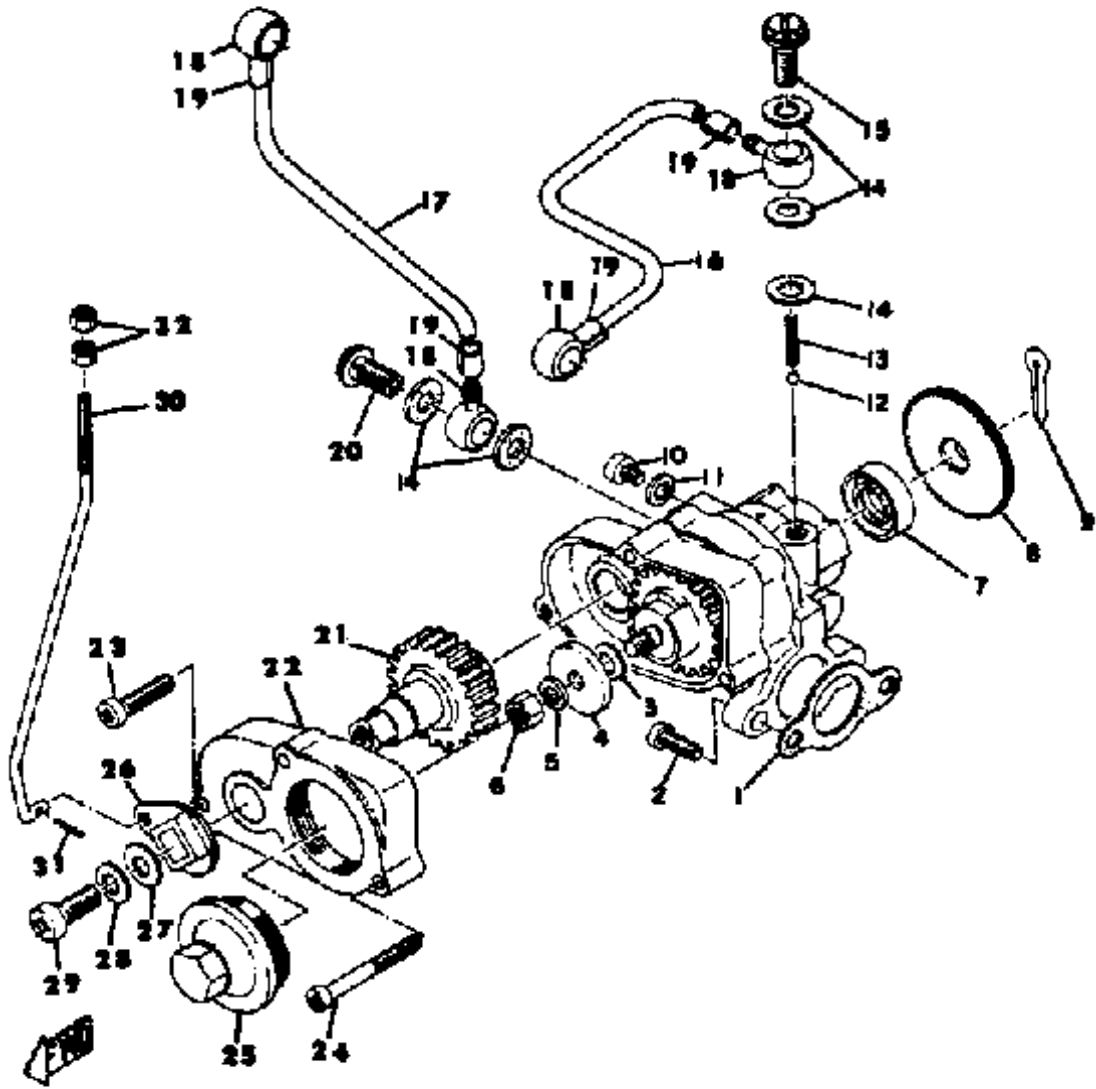
FLYWHEEL MAGNETO



Ref. No.	Part Number	Description	Qty	Remarks
-1	(821-81300-20-00)	FLYWHL MAGNETO ASSEMBLY	1	

Property of www.SmallEngineDiscount.com - Not for Resale

OIL PUMP

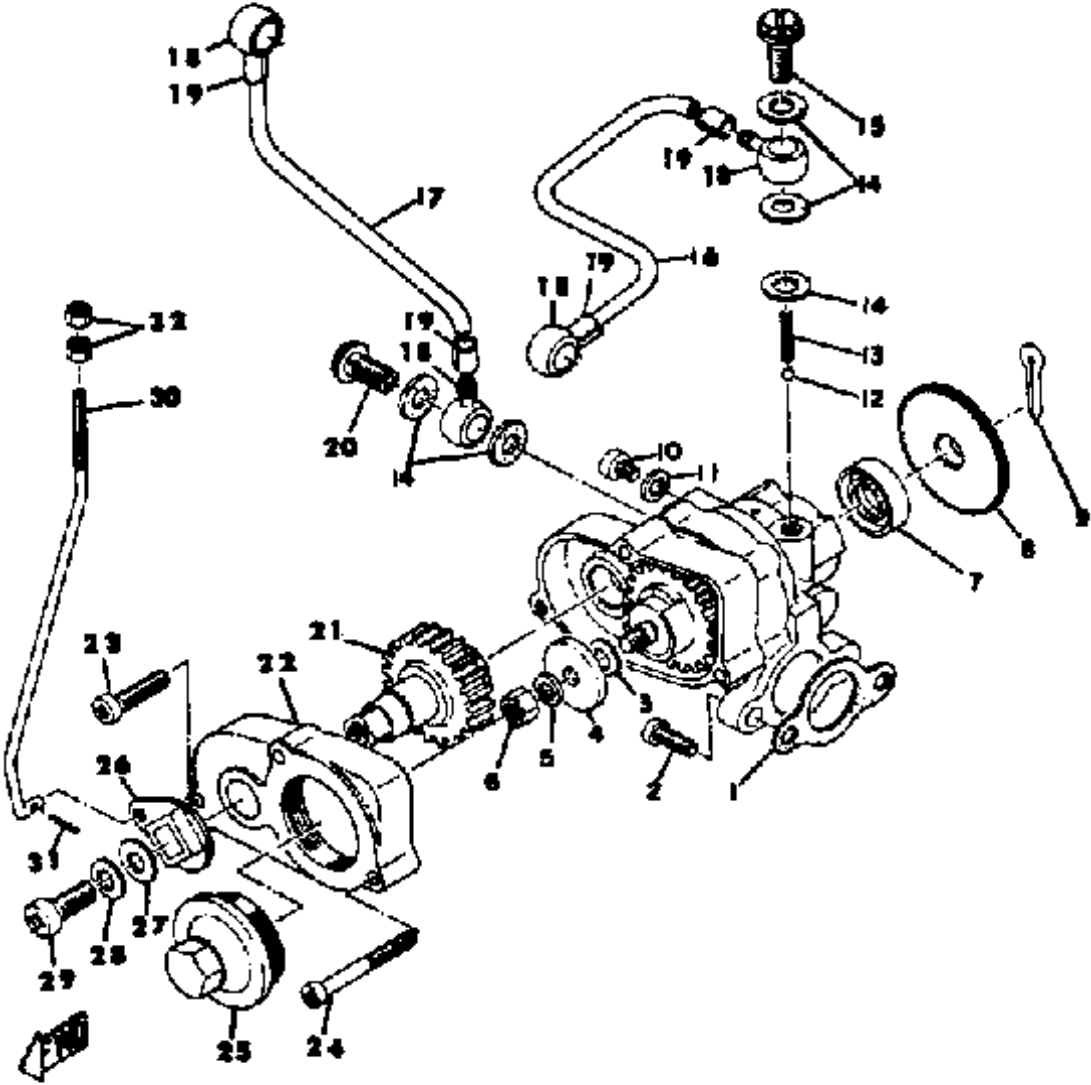


Ref. No.	Part Number	Description	Qty	Remarks
1	3MT-13116-00-00	GASKET, PUMP CASE (8Y0-13116-00)	1	
2	98580-05016-00	SCREW, PAN HEAD	2	
3	137-13137-00-10	. SHIM (1.0T)	1	
4	137-13138-01-00	. PLATE, ADJUSTING	1	
5	92990-05100-00	. WASHER, SPRING	1	
6	95380-05600-00	. NUT	1	
7	93101-10090-00	. OIL SEAL	1	
8	(137-13128-00-00)	PLATE, STARTER	1	
9	91401-12018-00	. PIN, COTTER	1	
10	98901-04008-00	. SCREW, BIND	1	
11	90430-04004-00	. GASKET	1	
12	93505-32002-00	. BALL	2	
13	(90501-02017-00)	SPRING, COMPRESSION	2	
14	90430-06011-00	. GASKET	4	
15	90401-06001-00	. BOLT, UNION	1	
16	90445-05022-00	. HOSE	1	
17	90445-05029-00	. HOSE (807-13171-00)	1	
18	214-13162-01-00	. BANJO, DLVRY PIPE	2	
19	90468-02033-00	. CLIP	4	
20	90401-06011-00	BOLT, UNION	2	
21	(807-13154-00-00)	GEAR, PUMP CONTROL	1	
22	(807-13146-00-00)	COVER, AJST PULLEY	1	
23	98501-04035-00	SCREW, PAN HEAD	2	
24	98511-04020-00	SCREW, PAN HEAD	1	
25	(807-13143-00-00)	CAP, PUMP CASE	1	
26	(821-13156-00-00)	LEVER, PUMP CONTROL	1	
27	92990-06200-00	WASHER	1	
28	98501-06100-00	SCREW, PAN HEAD	1	

CONTINUED ON NEXT FRAME ►

Property of www.SmallEngineDiscount.com - Not for Resale

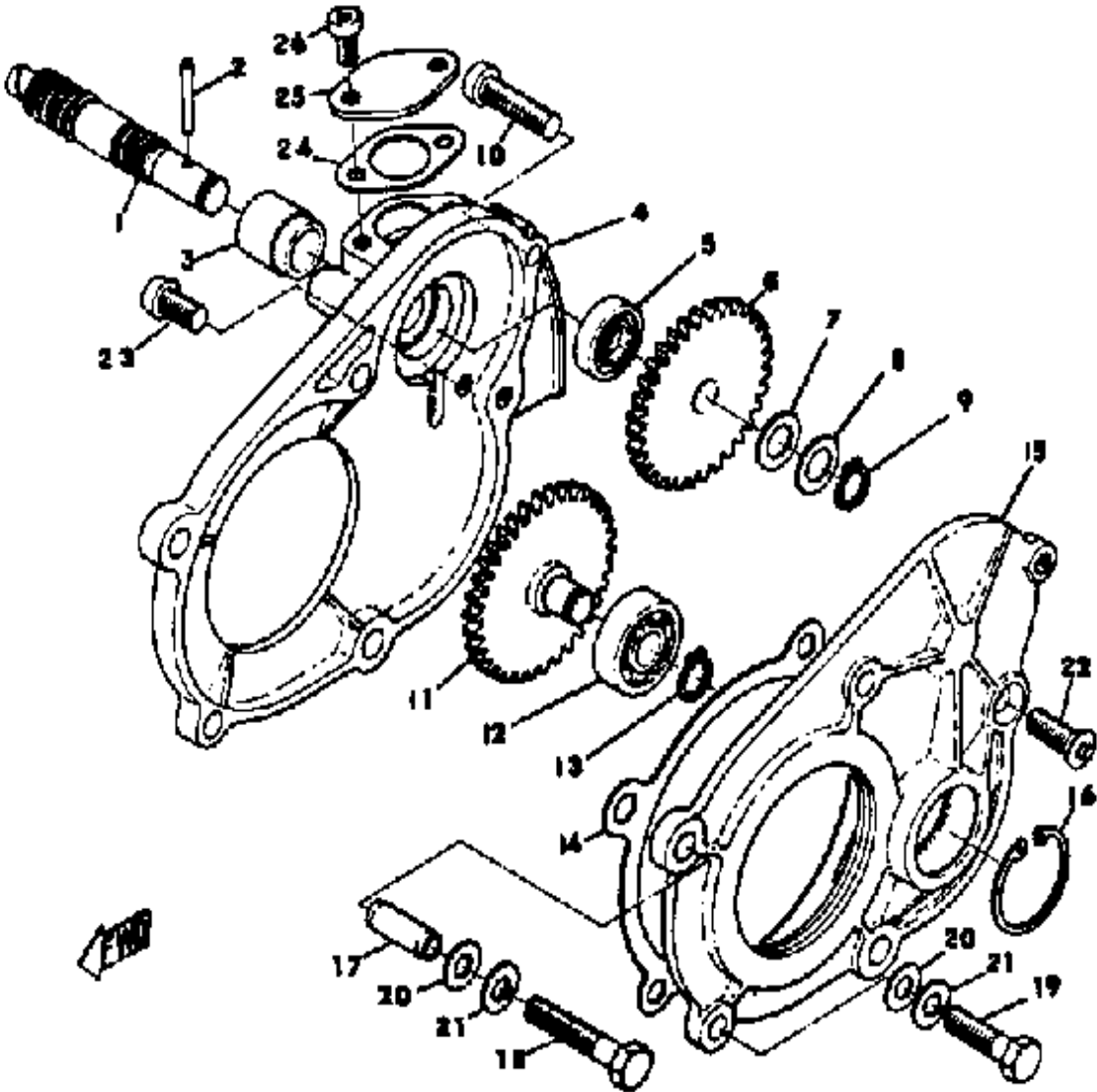
OIL PUMP



Ref. No.	Part Number	Description	Qty	Remarks
29	98503-06014-00	SCREW, PAN HEAD (92502-06016)	1	
30	(810-13157-00-00)	ROD, PUMP CONTROL	1	
31	91490-12012-00	PIN, COTTER	1	
32	90170-03008-00	NUT, HEXAGON (807-13139-00)	2	
-1	(826-13101-00-00)	OIL PUMP ASSEMBLY	1	

Property of www.SmallEngineDiscount.com - Not for Resale

PUMP GEAR UNIT

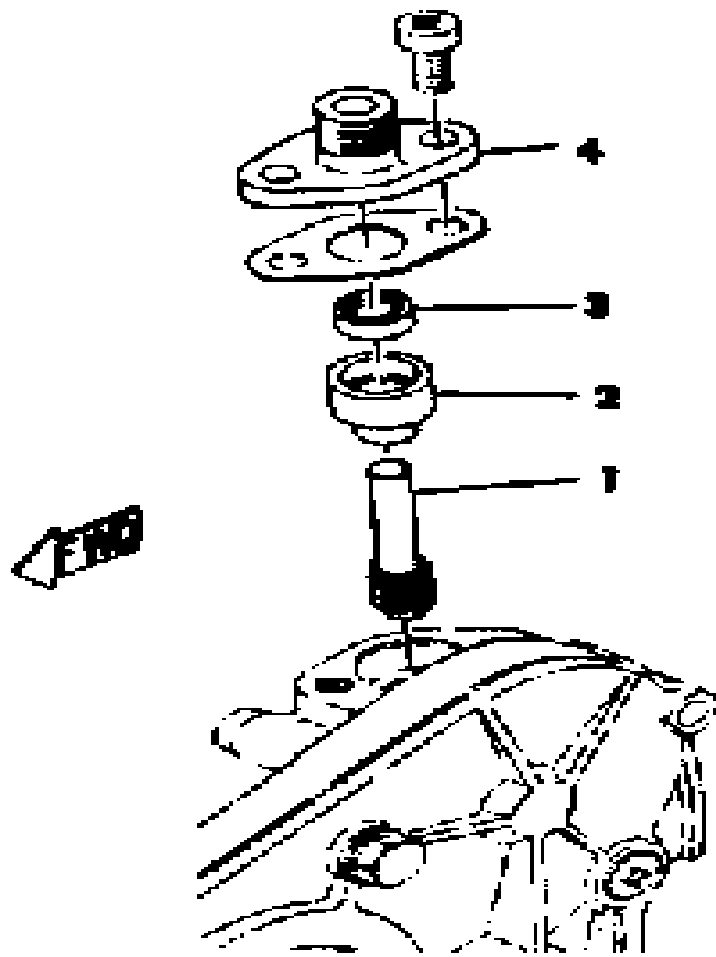


Ref. No.	Part Number	Description	Qty	Remarks
1	826-13175-00-00	SHAFT, WORM	1	
2	93603-22028-00	PIN, DOWEL	1	
3	821-13176-00-00	METAL, WORM SHAFT OUTER	1	
4	(821-15416-01-00)	COVER, OIL PUMP	1	
5	93101-10090-00	OIL SEAL	1	
6	821-13188-00-00	GEAR, DRIVE (32T)	1	
7	90206-11016-00	WASHER, WAVE	1	
8	137-13148-00-00	PLATE, CAM THRUST	1	
9	99009-10400-00	CIRCLIP	1	
10	98511-06025-00	SCREW PAN HEAD (92501-06025)	1	
11	(821-13179-00-00)	GEAR, IDLE	1	
12	93306-00002-00	BEARING (B6000RS)	1	
13	99009-10400-00	CIRCLIP	1	
14	821-15456-00-00	GASKET, O/PMP CVR 1	1	
15	(821-15426-01-00)	COVER, OIL PUMP R	1	
16	93420-26024-00	CIRCLIP, R-TYPE (R-26)	1	
17	91810-18022-00	PIN, DOWEL	2	
18	97013-06035-00	BOLT	2	
19	97011-06025-00	BOLT (97001-06025)	2	
20	92990-06200-00	WASHER	4	
21	92995-06100-00	WASHER, SPRING	4	
22	98701-06014-00	SCREW, FLAT HEAD	1	
23	97013-06012-00	BOLT	1	
24	821-17818-02-00	GASKET	1	
25	824-17819-00-00	CAP, HOUSING	1	
26	98580-05010-00	SCREW, PAN HEAD	2	

Property of www.SmallEngineDiscount.com - Not for Resale

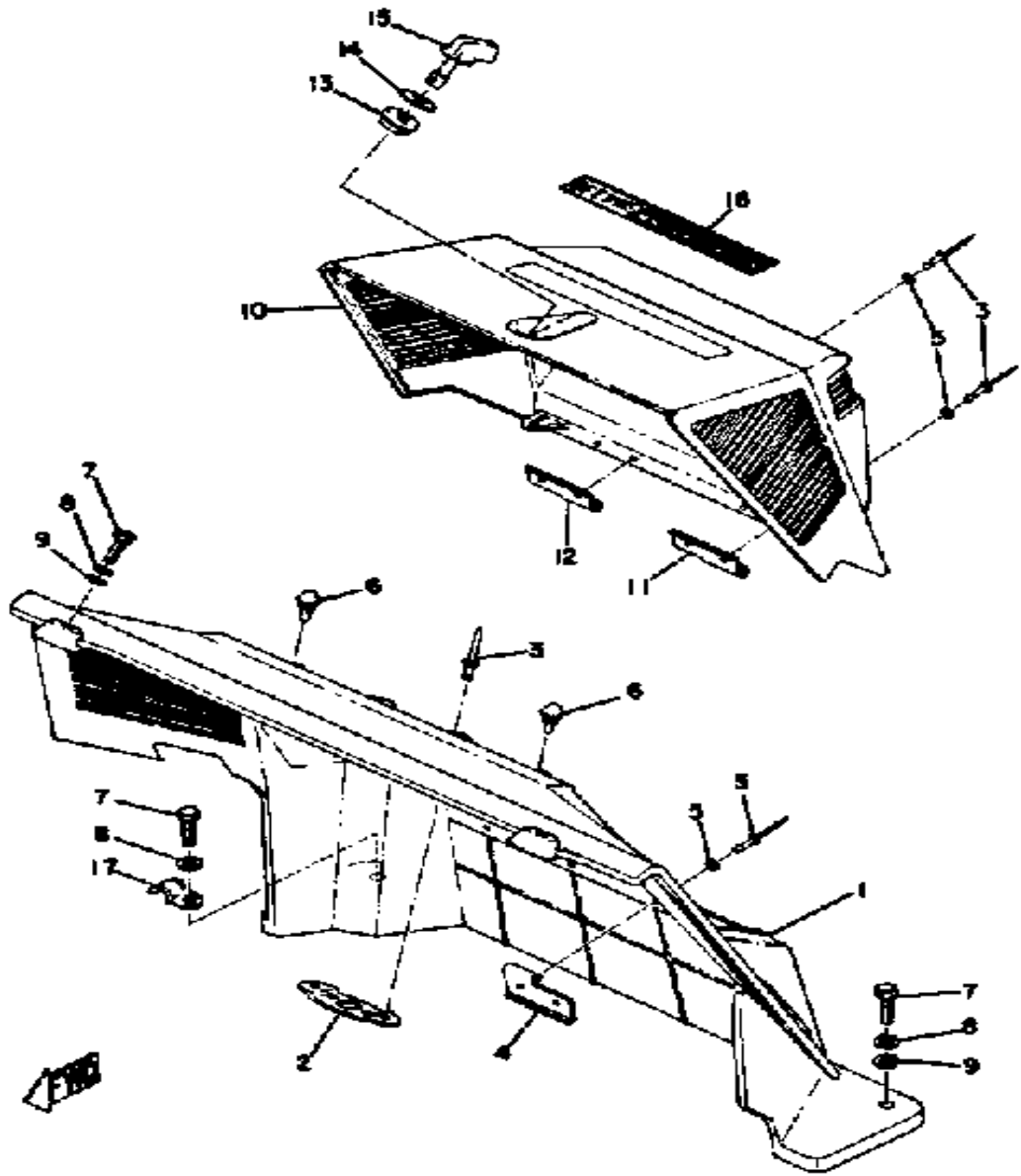
TACHOMETER - GEAR UNIT

Ref. No.	Part Number	Description	Qty	Remarks
1	813-17841-00-00	GEAR, DRIVEN (10T)	1	
2	821-17843-00-00	BUSH, DRIVEN GEAR OUTER .	1	
3	93104-06033-00	OIL SEAL	1	
4	821-17819-00-00	CAP, HOUSING	1	



Property of www.SmallEngineDiscount.com - Not for Resale

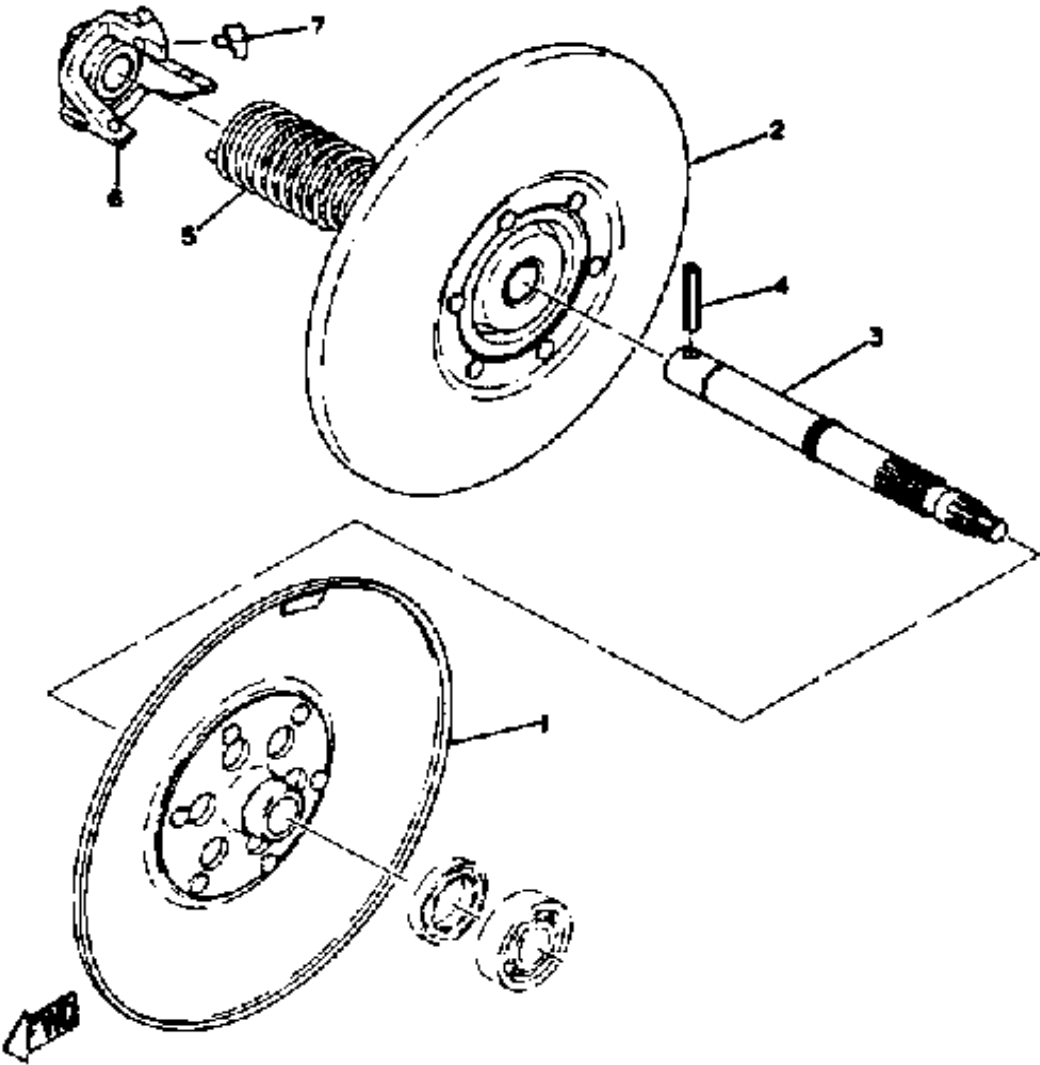
ENGINE COWL



Ref. No.	Part Number	Description	Qty	Remarks
1	(826-77411-00-00)	COWL, ENGINE	1	
2	(807-77424-00-00)	BRACKET 4	1	
3	90267-40029-00	RIVET, BLIND	10	
4	811-77478-00-00	HINGE 3	2	
5	90201-04015-00	WASHER, PLATE	8	
6	(811-77461-00-00)	DAMPER 1	2	
7	97016-06016-00	BOLT	4	
	97016-06020-00	BOLT	4	
8	92906-06100-00	WASHER, SPRING	4	
9	90201-062A8-00	WASHER, PLATE	3	
10	(826-77425-00-00)	LID, ENGINE COWL	1	
11	(811-77475-00-00)	HINGE 1	1	
12	(811-77476-00-00)	HINGE 2	1	
13	(807-77446-00-00)	BUSHING	1	
14	90201-08103-00	WASHER, PLAIN	1	
15	(811-42753-00-00)	FASTNER	1	
16	826-77351-00-00	EMBLEM 1	1	
17	90462-10007-00	CLAMP	1	

Property of www.SmallEngineDiscount.com - Not for Resale

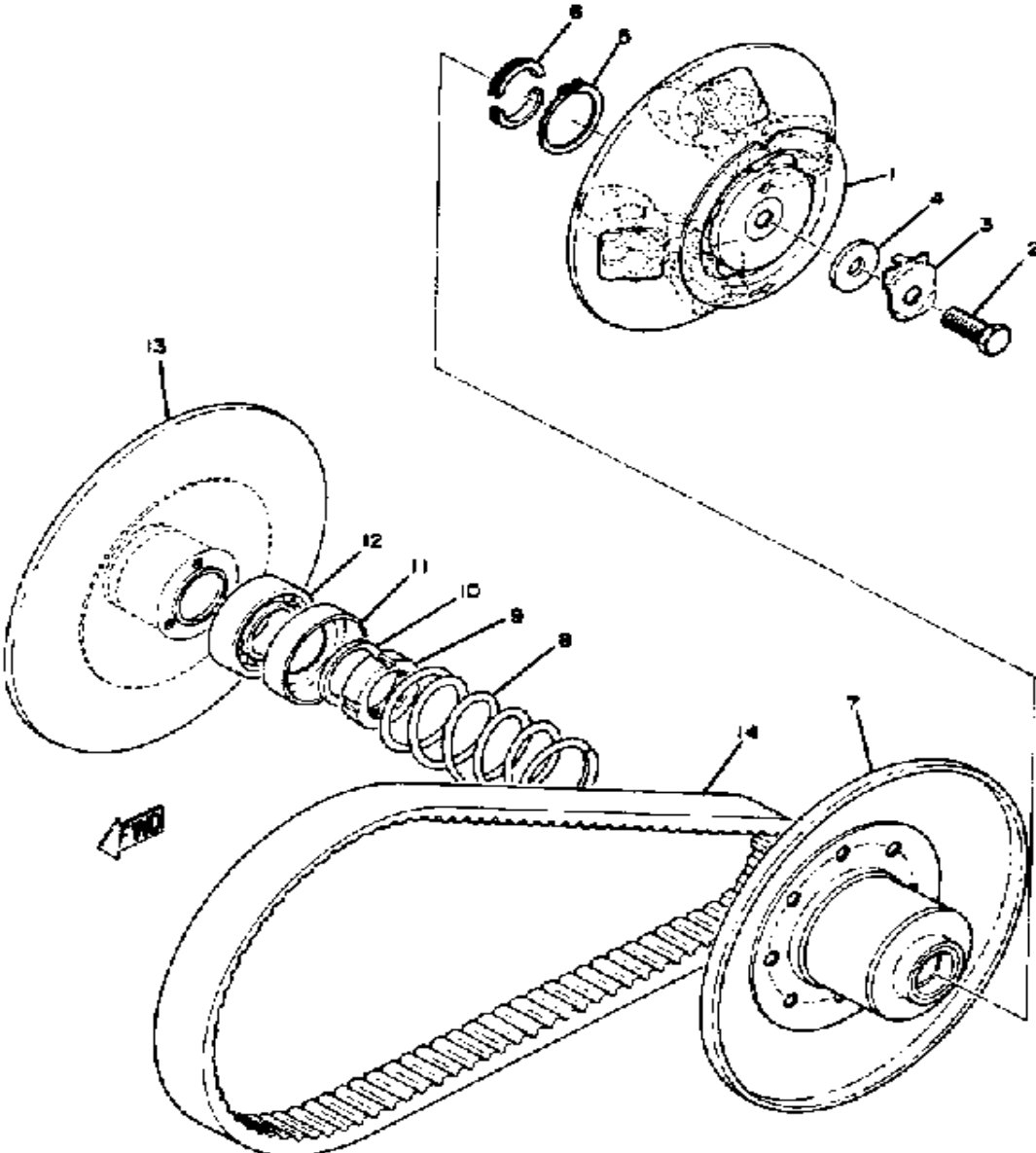
PRIMARY SHEAVE



Ref. No.	Part Number	Description	Qty	Remarks
1	8F7-W1762-00-00	PRI. SHEAVE CAP (815-17630-00)	1	
2	(90109-10080-00)	BOLT	1	
3	90215-11080-00	WASHER, LOCK (810-17646-00)	1	
4	90201-10144-00	WASHER, PLATE	1	
5	99009-30400-00	CIRCLIP	1	
6	806-17645-00-00	COLLAR	2	
7	(810-17620-01-00)	PRI SLIDG SHEAVE	1	
8	(90501-45163-00)	SPRING, COMPRESSION	1	
	90501-45160-00	SPRING, COMPRESSION	1	
9	(810-17642-00-00)	NUT, BEARING	1	
10	90208-28003-00	WASHER, CONICAL SPR	1	
11	806-17644-00-00	SEAT, SPRING	1	
12	93306-20567-00	BEARING	1	
13	(821-W1761-00-00)	PRI. FIXED SHEAVE	1	
14	820-17641-00-00	V-BELT	1	

Property of www.SmallEngineDiscount.com - Not for Resale

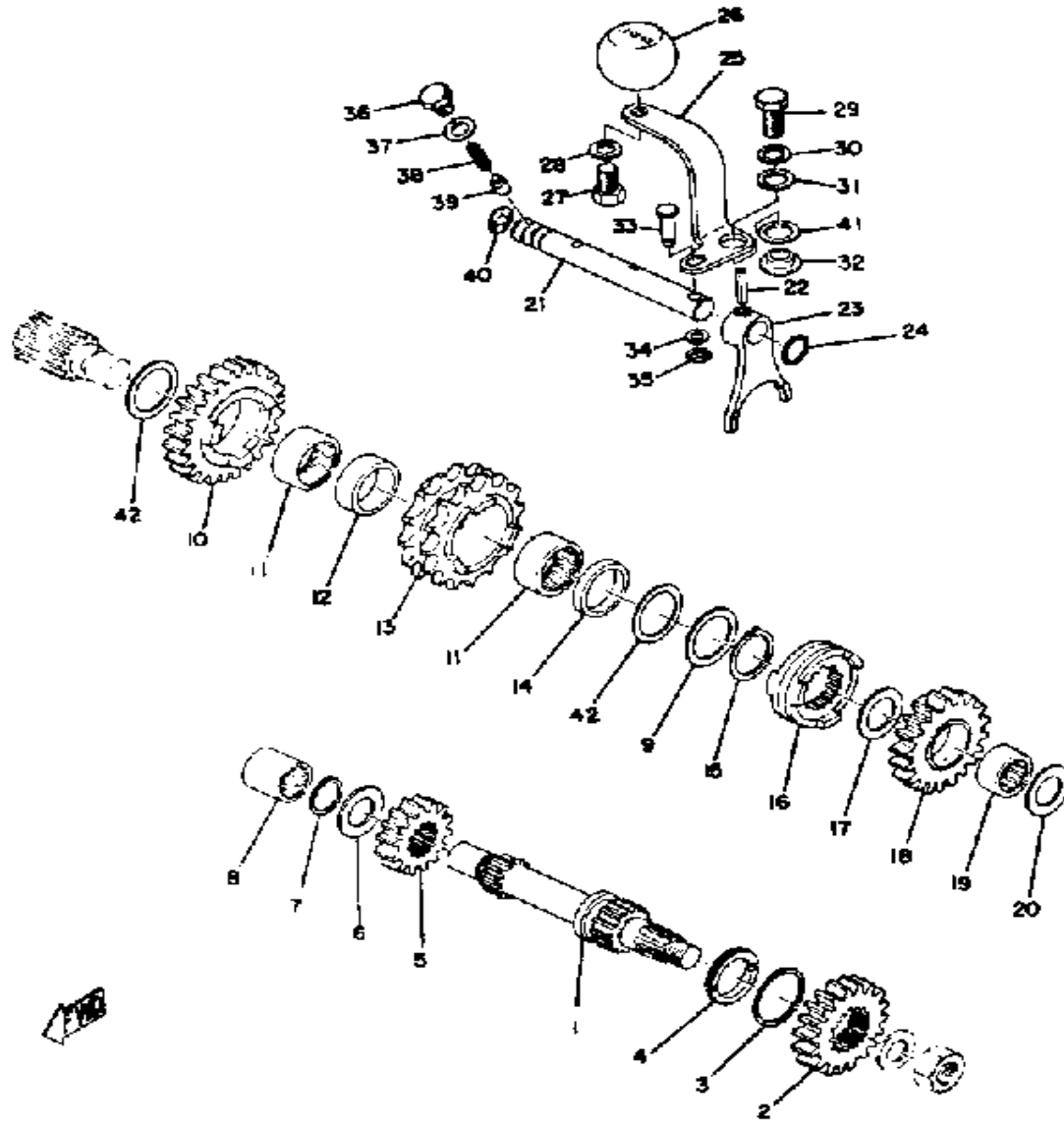
SECONDARY SHEAVE



Ref. No.	Part Number	Description	Qty	Remarks
1	(826-17660-00-00)	SEC FXD SHV	1	
2	(810-17670-00-00)	SEC SLIDING SHEAVE	1	
3	826-17681-00-00	SHAFT, SECONDARY	1	
4	91609-80040-00	PIN, SPRING	1	
5	805-17683-00-00	SPRING, SECONDARY (805-17683-00)	1	
6	810-17684-01-00	SEAT, SEC SPRING ..	1	
7	801-17688-10-00	SHOE, RAMP	3	

Property of www.SmallEngineDiscount.com - Not for Resale

TRANSMISSION

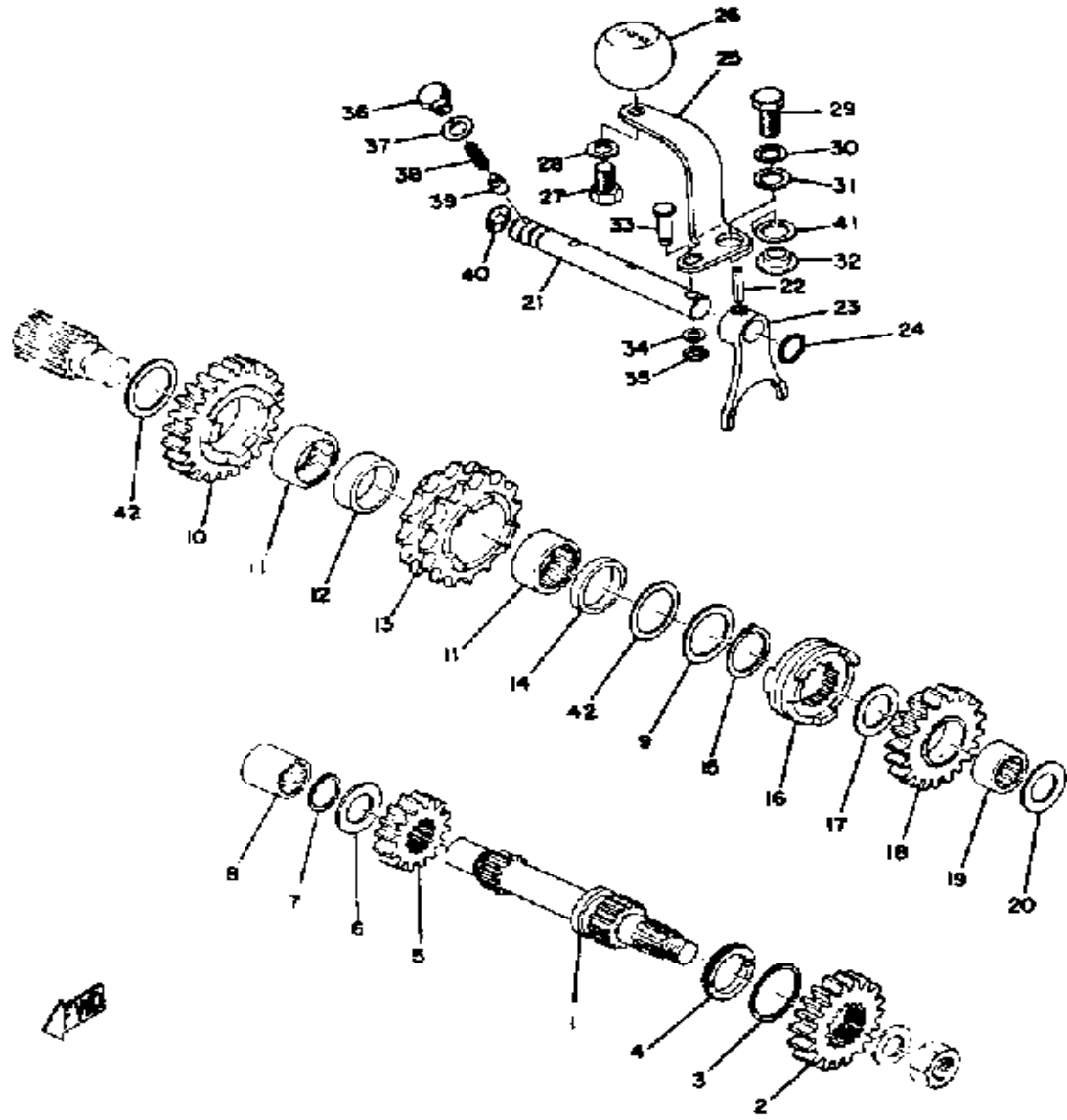


Ref. No.	Part Number	Description	Qty	Remarks
1	(826-17421-00-00)	AXLE, DRIVE	1	
2	826-17221-00-00	GEAR, 2ND WHEEL	1	
3	99009-30400-00	CIRCLIP	1	
4	806-17645-00-00	COLLAR	2	
5	826-17231-00-00	GEAR, 3RD WHEEL	1	
6	826-17219-00-00	SHIM	1	
7	99009-15400-00	CIRCLIP	1	
8	93320-31501-00	BEARING, CYLINDER.# 0	1	
9	826-17238-00-00	SHIM 3	1	
10	826-17131-00-00	GEAR, 3RD PINION	1	
11	93315-22414-00	BEARING, CYLINDER.# 5	2	
12	90387-24183-00	COLLAR	1	
13	(826-17682-50-00)	SPRKT, CHAIN DR 15T	1	U.R.
	826-17682-40-00	SPRKT, CHAIN DR 14T	1	U.R. STD
14	(90387-24182-00)	COLLAR	1	
15	99009-24400-00	CIRCLIP, S-TYPE	1	
16	826-17492-00-00	DOG, TRANS SHIFT	1	
17	90201-187E2-00	WASHER, PLATE	1	
18	826-17121-00-00	GEAR, 2ND PINION	1	
19	93315-21813-00	BEARING	1	
20	136-17417-00-10	SHIM 1	1	
21	(826-18531-00-00)	BAR, SHIF FRK GDE 1	1	
22	91609-40020-00	PIN, SPRING	1	
23	826-18511-01-00	FORK, SHIFT 1	1	
24	93210-12014-00	O-RING	1	
25	(826-18198-00-00)	LEVER	1	
26	(826-18199-00-00)	KNOB, CHANGE	1	
27	97313-08012-00	BOLT	1	
28	92990-08100-00	WASHER	1	

CONTINUED ON NEXT FRAME ►

Property of www.SmallEngineDiscount.com - Not for Resale

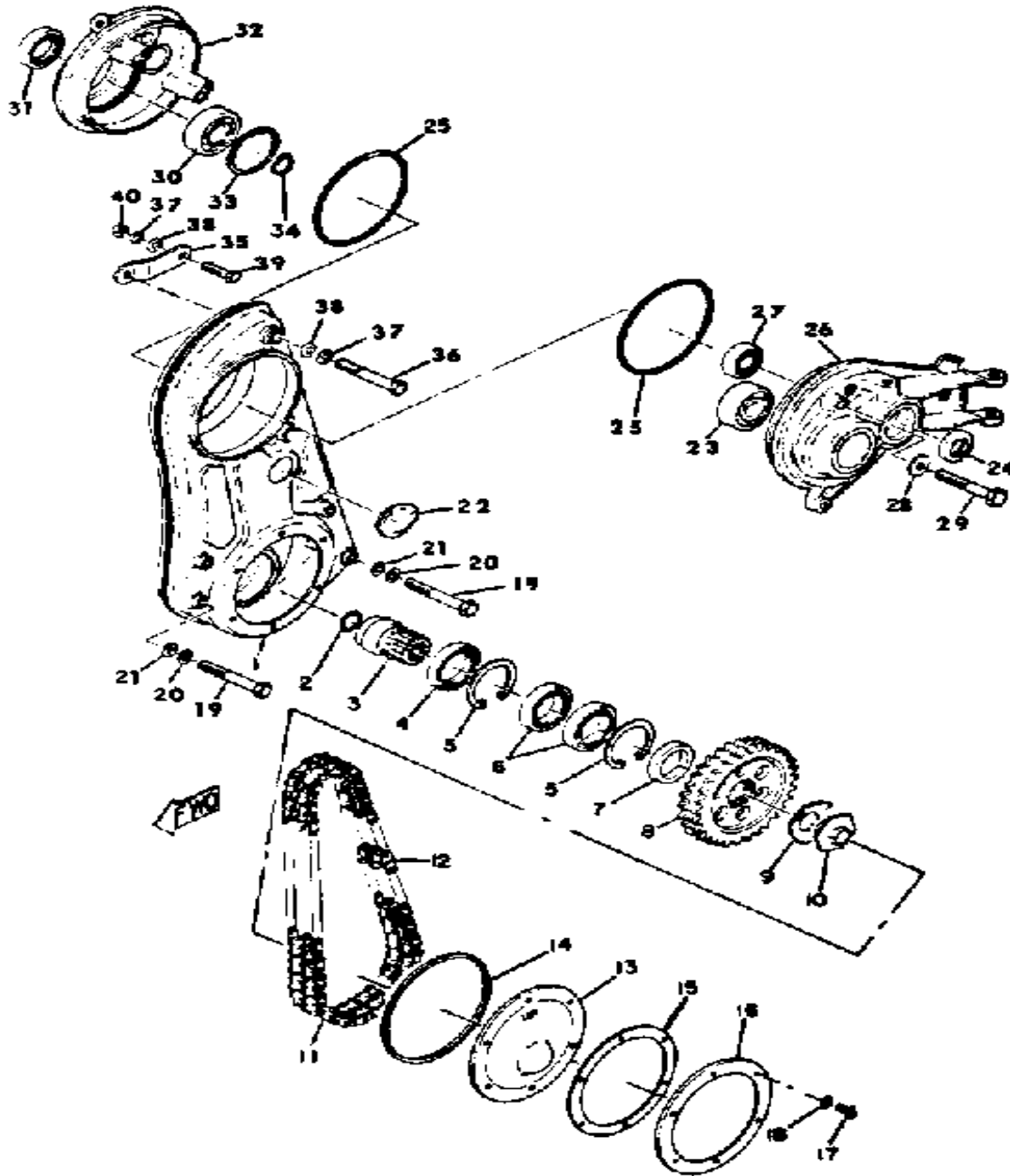
TRANSMISSION



Ref. No.	Part Number	Description	Qty	Remarks
29	97313-08018-00	BOLT, HEXAGON (97301-08016)	1	
30	92990-08100-00	WASHER	1	
31	(90560-08065-00)	SPACER	1	
	92990-08200-00	WASHER, PLAIN	1	
32	90560-08066-00	SPACER	1	
33	(90249-06019-00)	PIN, SPEC'L SHAPE	1	
34	92990-06200-00	WASHER	1	
35	99080-05600-00	CIRCLIP	1	
36	97301-08010-00	BOLT, HEXAGON	1	
37	90430-08023-00	GASKET	1	
38	90501-10060-00	SPRING, COMPRESSION	1	
39	90249-07004-00	PIN, SPEC'L SHAPE	1	
40	(90330-16002-00)	PLUG, EXPANSION	1	
41	90206-12074-00	WASHER, WAVE	1	
42	826-17229-00-00	SHIM	2	

Property of www.SmallEngineDiscount.com - Not for Resale

TRACK DRIVE

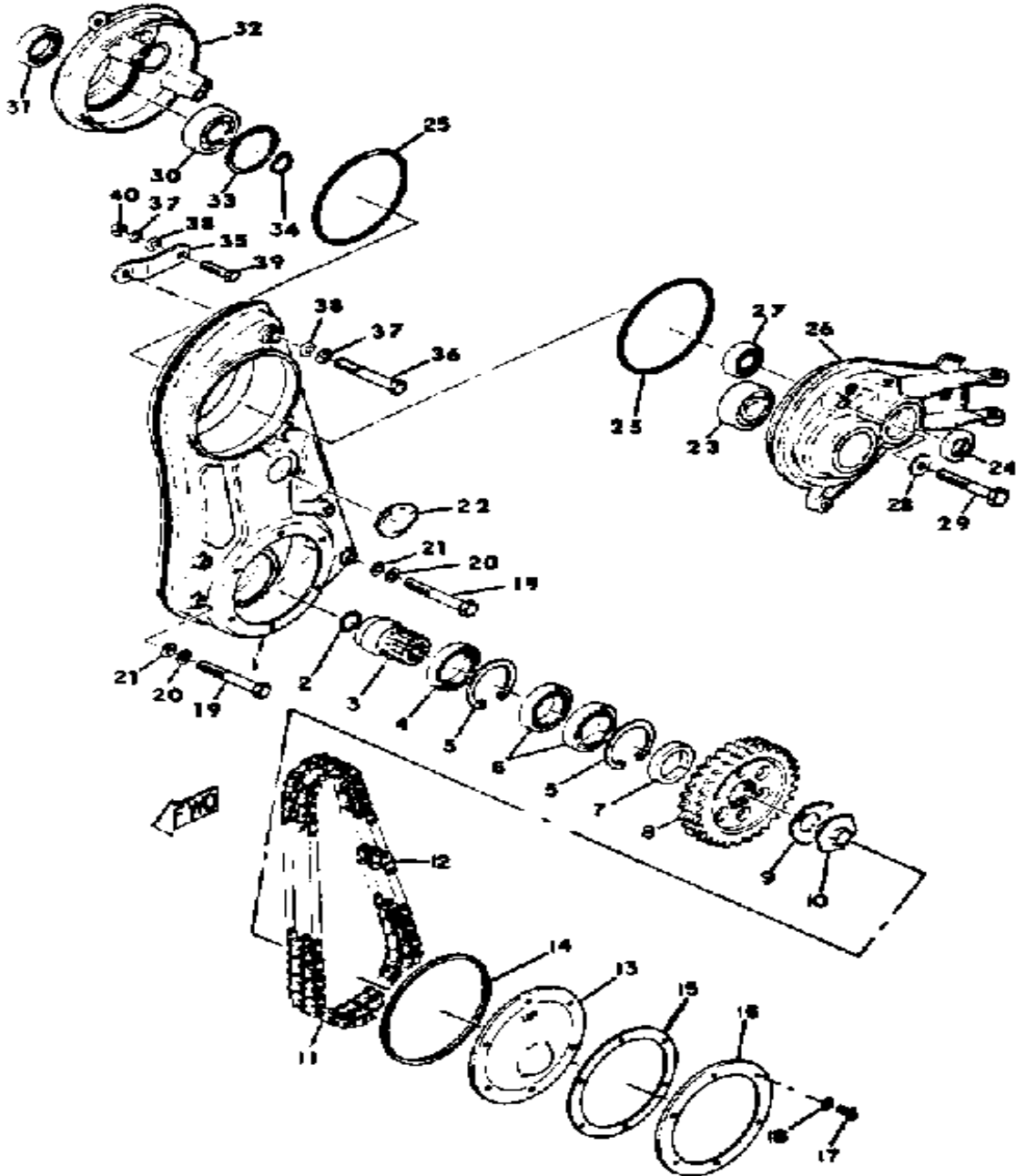


Ref. No.	Part Number	Description	Qty	Remarks
1	(826-47541-00-00)	HOUSING, CHAIN	1	
2	93210-25070-00	O-RING	1	
3	(810-47571-00-00)	JOURNAL 1	1	
4	93102-40080-00	OIL SEAL, SD-TYPE	1	
5	93420-55028-00	CIRCLIP, R-TYPE	2	
6	93306-90702-00	BEARING	2	
7	90387-35205-00	COLLAR	1	
8	(802-47548-40-00)	SPROCKET, CHN DRVN	1	U.R.äSTD
	(802-47548-60-00)	SPROCKET, CHN DRVN	1	U.R.
	802-47548-50-00	SPROCKET, CHN DRVN	1	U.R.
9	821-47582-00-00	SPRING, BELLEVILLE	1	
10	90109-24203-00	BOLT	1	
11	(94804-25064-00)	CHAIN	1	U.R.
	94804-25062-00	CHAIN (DK425-2 62L)	1	U.R. STD
12	94904-25001-00	. JOINT CHAIN	1	
13	(821-47543-00-00)	CAP, HOUSING	1	
14	(806-47558-00-00)	RING, HOUSING	1	
15	821-47544-00-00	GASKET	1	
16	(821-47591-00-00)	PLATE	1	
17	90143-05004-00	SCREW, HEXAGON	6	
18	90210-05005-00	WASHER, SEAL	6	
19	97021-08070-00	BOLT	4	
20	92990-08100-00	WASHER	4	
21	92990-08200-00	WASHER, PLAIN	4	
22	(810-47559-00-00)	CAP 2	1	
23	93306-30302-00	BEARING	1	
24	93102-22087-00	OIL SEAL	1	
25	93211-13109-00	O-RING	2	
26	826-47561-00-00	HOUSING, SEC SHAFT	1	

CONTINUED ON NEXT FRAME ➤

Property of www.SmallEngineDiscount.com - Not for Resale

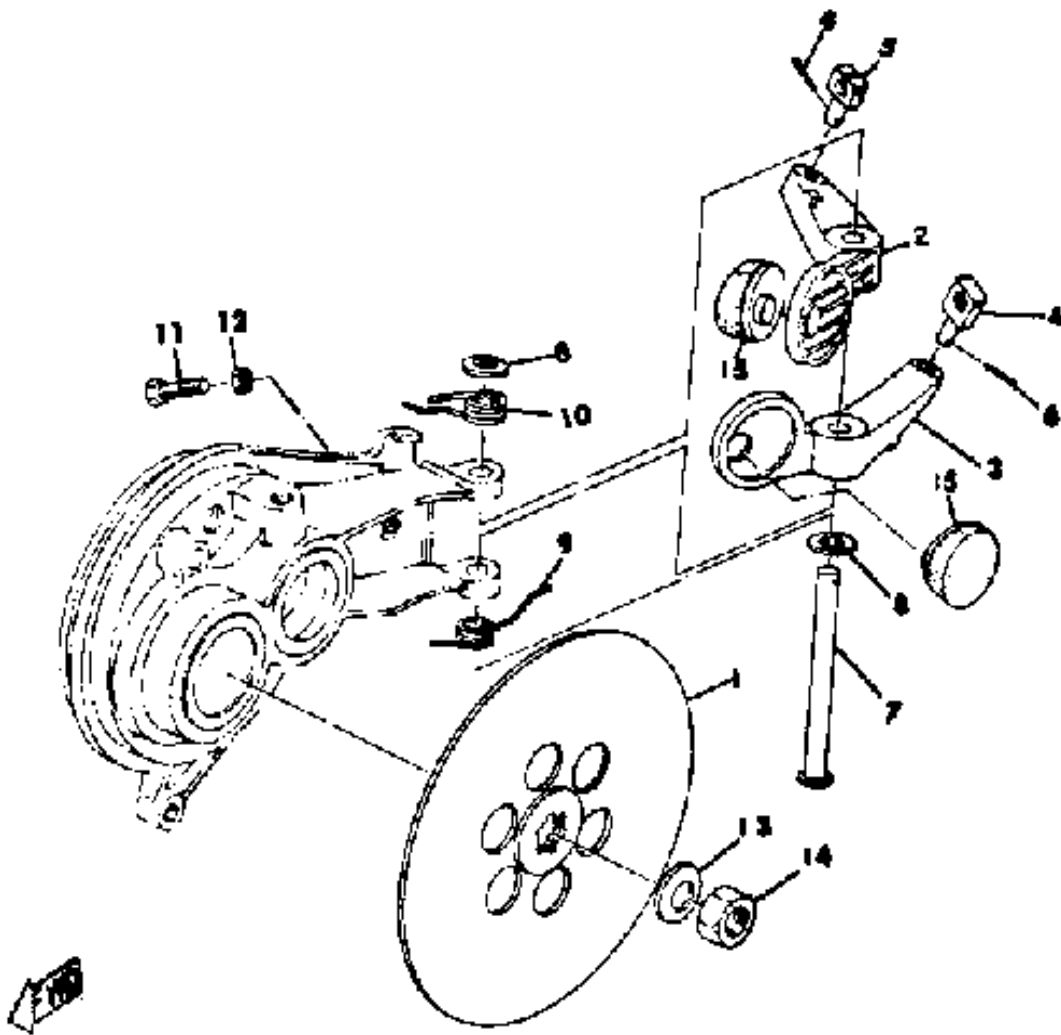
TRACK DRIVE



Ref. No.	Part Number	Description	Qty	Remarks
27	93306-20310-00	BEARING	1	
28	90210-08002-00	WASHER, SEAL	2	
29	97021-08070-00	BOLT	2	
30	93306-20622-00	BEARING	1	
31	93102-35056-00	OIL SEAL, SD-TYPE	1	
32	826-47562-00-00	HOUSING, SEC SHAFT	1	
33	93420-62070-00	CIRCLIP 54G	1	
34	99009-30400-00	CIRCLIP	1	
35	(826-47565-00-00)	STAY 1	1	
36	97021-08070-00	BOLT	1	
37	92990-08100-00	WASHER	2	
38	92990-08200-00	WASHER, PLAIN	2	
39	97313-08030-00	BOLT, HEXAGON	1	
40	95333-08600-00	NUT	1	

Property of www.SmallEngineDiscount.com - Not for Resale

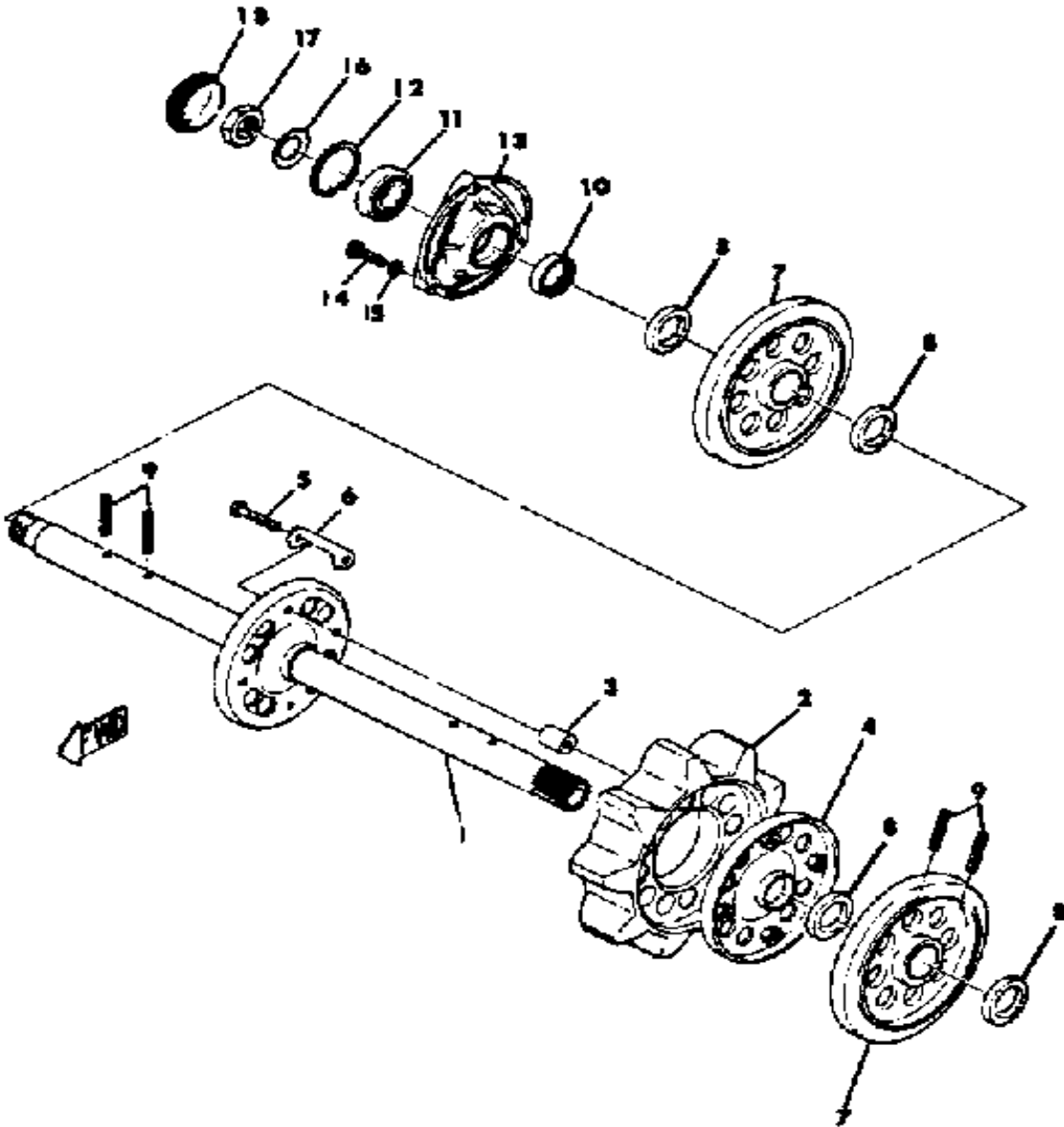
BRAKE



Ref. No.	Part Number	Description	Qty	Remarks
1	(826-25711-00-00)	DISC, BRAKE	1	
2	(826-25731-00-00)	BODY, CALIPER 1	1	
3	(826-25741-00-00)	BODY, CALIPER 2	1	
4	90249-06012-00	PIN	1	
5	90249-06009-00	PIN	1	
6	91490-20020-00	PIN, COTTER	2	
7	(90240-08022-00)	PIN, CLEVIS	1	
8	92990-08200-00	WASHER, PLAIN	2	
9	(90508-26034-00)	SPRING, TORSION	1	
10	90508-26033-00	SPRING, TORSION	1	
11	97021-05020-00	BOLT	1	
12	95311-05700-00	NUT	1	
13	90208-12007-00	WASHER, CONICAL SPR	1	
14	90170-12054-00	NUT	1	
15	(826-25732-09-00)	PAD, CALIPER	2	

Property of www.SmallEngineDiscount.com - Not for Resale

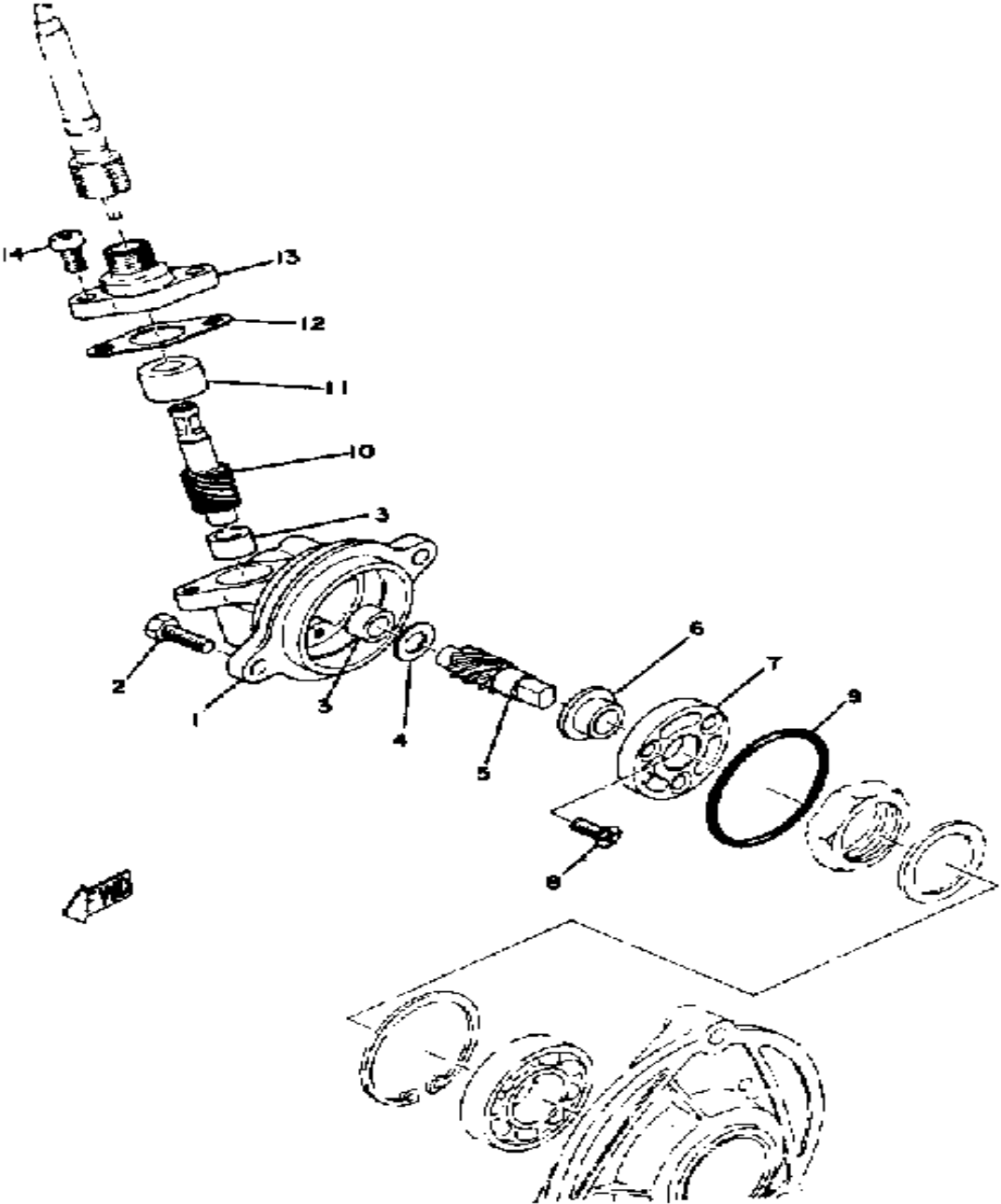
FRONT AXLE



Ref. No.	Part Number	Description	Qty	Remarks
1	(826-47510-00-00)	FRONT AXLE	1	
2	810-47532-00-00	WHEEL, SPROCKET 2	1	
3	(90387-06021-00)	COLLAR	4	
4	(810-47522-00-00)	RIM, SPROCKET WHL 2	1	
5	97013-06035-00	BOLT	4	
6	90215-06100-00	WASHER, LOCK	2	
7	810-47530-00-00	GUIDE WHEEL	2	
8	90201-25499-00	WASHER, PLATE	4	
9	91609-60036-00	PIN, SPRING	4	
10	93102-25084-00	OIL SEAL, SD-TYPE	1	
11	93306-00412-00	BEARING	1	
12	93420-44029-00	CIRCLIP, R-TYPE	1	
13	810-47551-00-00	HOUSING, FRONT AXLE	1	
14	97011-06025-00	BOLT (97001-06025)	3	
15	92995-06100-00	WASHER, SPRING	3	
16	90208-22001-00	WASHER, CONICAL SPRING ..	1	
17	90170-22094-00	NUT	1	
18	810-47552-00-00	CAP	1	

Property of www.SmallEngineDiscount.com - Not for Resale

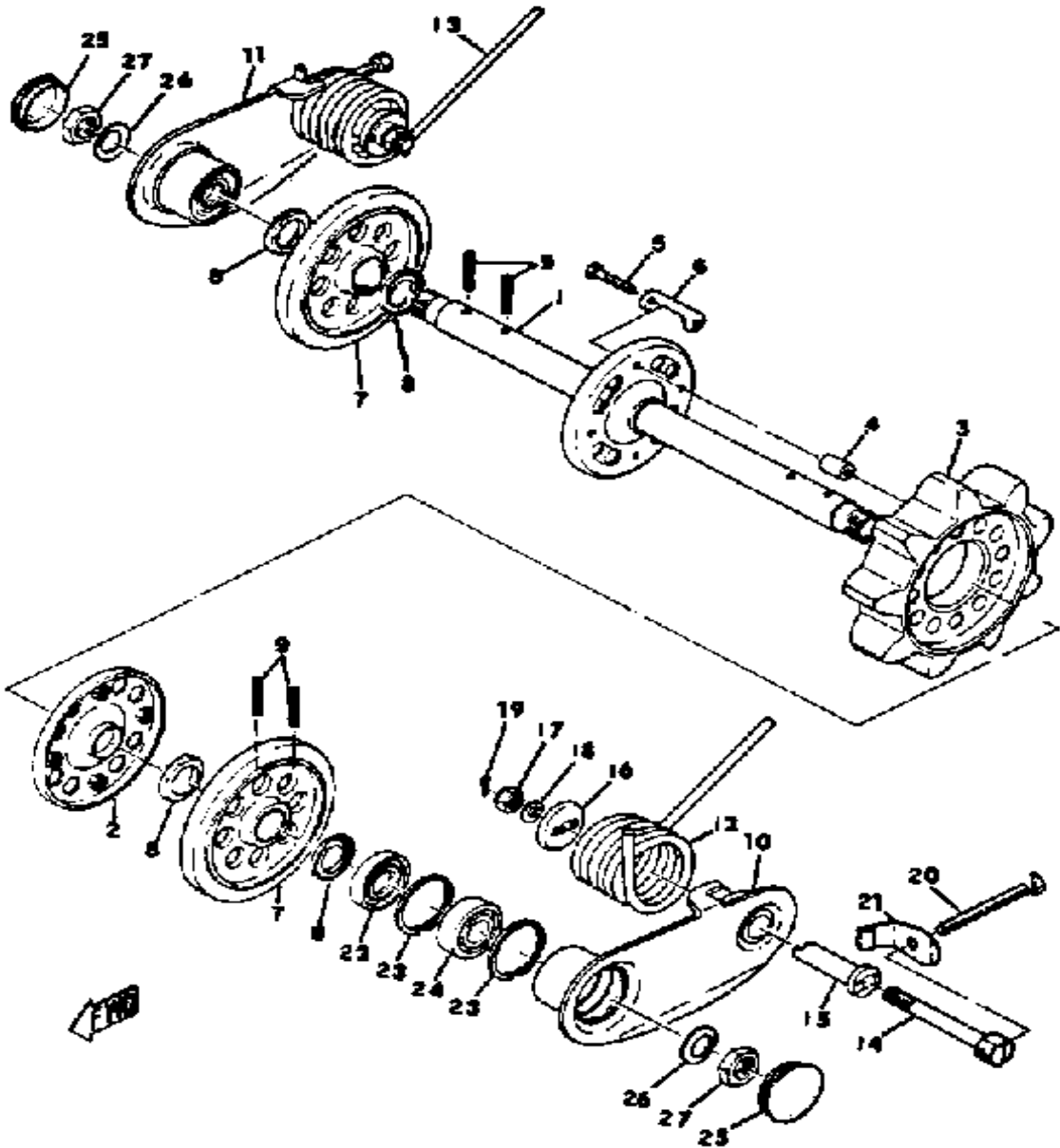
SPEEDOMETER - GEAR UNIT



Ref. No.	Part Number	Description	Qty	Remarks
1	8E6-47711-10-00	HOUSING	1	
2	97313-06016-00	BOLT, HEXAGON	2	
3	(90380-08002-00)	BUSH, SOLID	2	
4	810-47717-10-00	SHIM	1	
5	810-47731-11-00	GEAR, DRIVE	1	
6	90381-10003-00	BUSH, SOLID	1	
7	853-47712-10-00	JOURNAL	1	
8	98701-04012-00	SCREW, FLAT HEAD	3	
9	93210-43141-00	O-RING	1	
10	810-47741-11-00	GEAR, DRIVEN (810-47741-10)	1	
11	90380-08005-00	BUSH, SOLID	1	
12	810-47727-10-00	GASKET	1	
13	8E3-47721-10-00	COVER, HOUSING	1	
14	98580-05012-00	SCREW, PAN HEAD	2	

Property of www.SmallEngineDiscount.com - Not for Resale

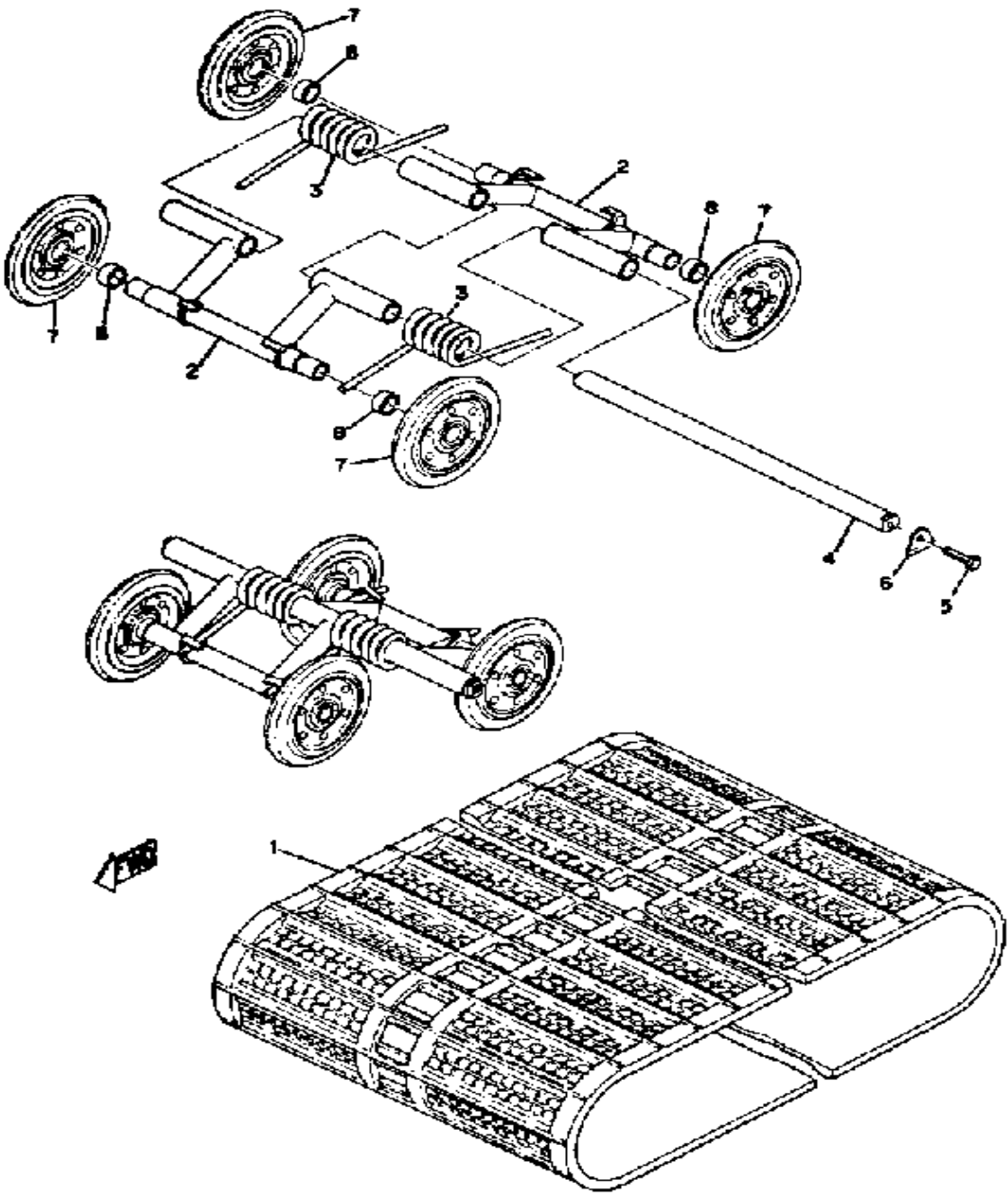
REAR AXLE



Ref. No.	Part Number	Description	Qty	Remarks
1	826-47520-00-00	REAR AXLE	1	
2	(810-47522-00-00)	RIM, SPROCKET WHL 2	1	
3	810-47532-00-00	WHEEL, SPROCKET 2	1	
4	(90387-06021-00)	COLLAR	4	
5	97013-06035-00	BOLT	4	
6	90215-06100-00	WASHER, LOCK	2	
7	810-47530-00-00	GUIDE WHEEL	2	
8	90201-25499-00	WASHER, PLATE	4	
9	91609-60036-00	PIN, SPRING	4	
10	(810-47361-00-00)	ARM, REAR PIVOT 1	1	
11	810-47362-00-00	ARM, REAR PIVOT 2	1	
12	90508-72114-00	SPRING, TORSION	1	
13	90508-72084-00	SPRING, TORSION (812-47364-00)	1	
14	90149-08022-00	SCREW, SPEC'L SHAPE	2	
15	810-47369-00-00	COLLAR	2	
16	90209-08067-00	WASHER, SPEC'L SHAP	2	
17	90185-08089-00	NUT, SELF-LOCKING	2	
18	92990-08200-00	WASHER, PLAIN	2	
19	91401-30030-00	PIN, COTTER	2	
20	90106-08050-00	BOLT, DOME HEAD (841-47373-00)	2	
21	90215-08069-00	WASHER, LOCK	2	
22	93102-25081-00	OIL SEAL	2	
23	93420-44029-00	CIRCLIP, R-TYPE	4	
24	93306-00412-00	BEARING	2	
25	810-47552-00-00	CAP	2	
26	90208-22001-00	WASHER, CONICAL SPRING ..	2	
27	90170-22094-00	NUT	2	

Property of www.SmallEngineDiscount.com - Not for Resale

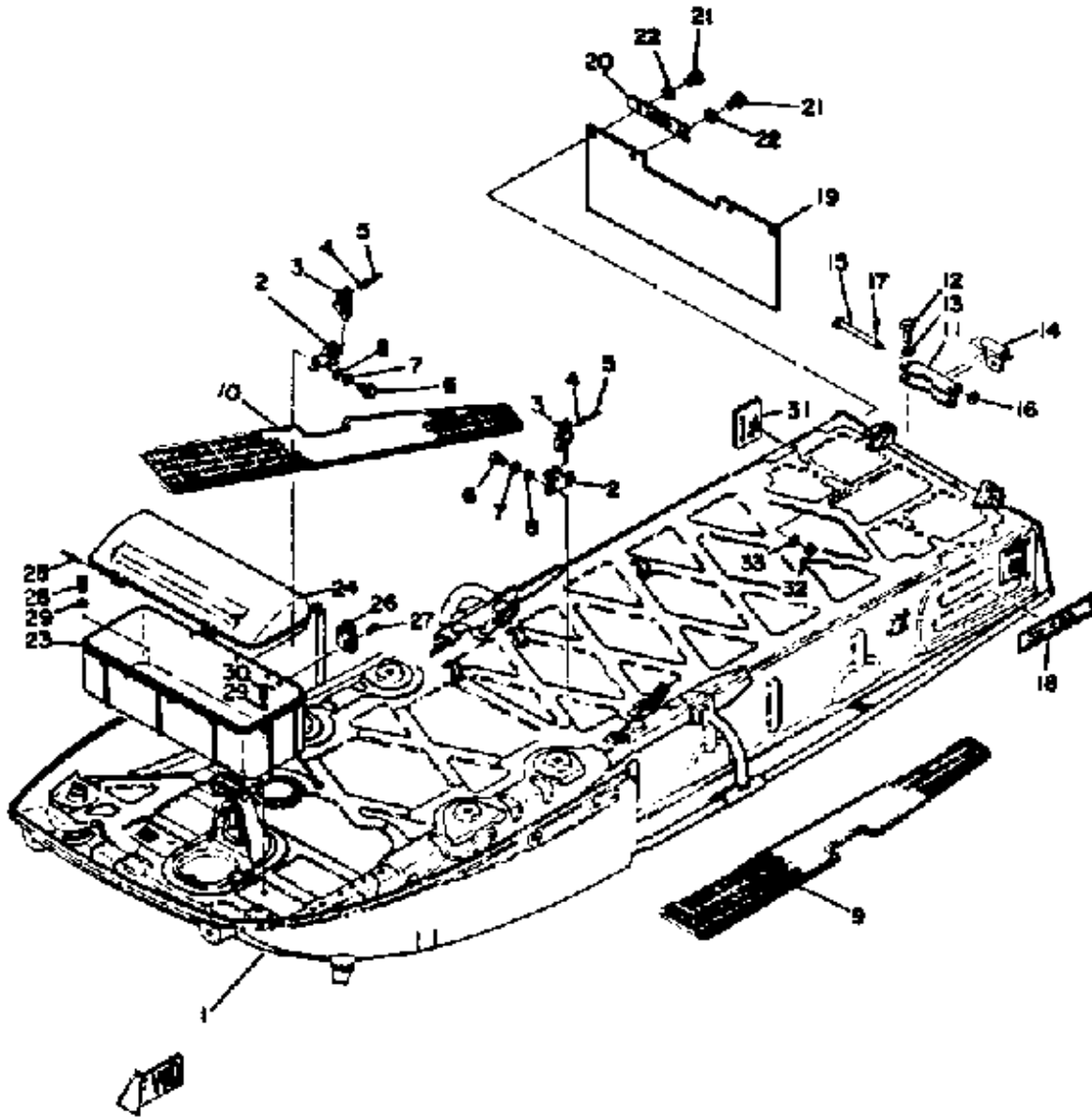
TRACK - SUSPENSION WHEEL



Ref. No.	Part Number	Description	Qty	Remarks
1	863-47110-00-00	TRACK ASSEMBLY (847-47110-00)	1	
2	807-47331-01-00	ARM, PIVOT 1 (807-47331-00)	6	
3	90508-65089-00	SPRING, TORSION	6	
4	807-47337-00-00	SHAFT, PIVOT	3	
5	97313-08030-00	BOLT, HEXAGON	6	
6	(806-47347-00-00)	WASHER, LOCK	6	
7	8A9-47310-01-00	SUSPENSION WHL ASSEMBLY (810-47310-00)	12	
8	802-47338-01-00	COLLAR	12	

Property of www.SmallEngineDiscount.com - Not for Resale

FRAME

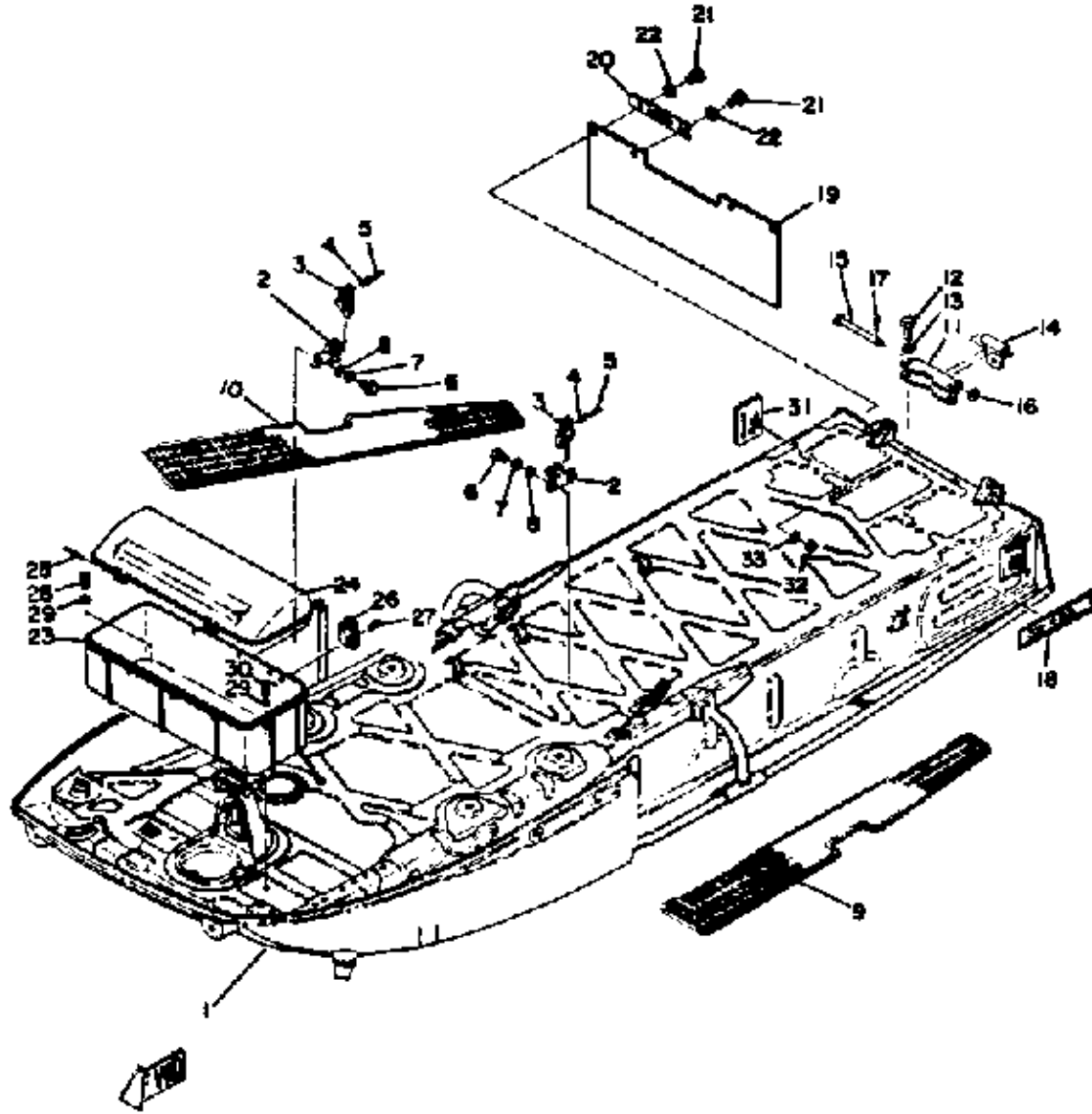


Ref. No.	Part Number	Description	Qty	Remarks
1	(826-21910-00-00)	FRAME	1	
2	UNA-VAILA-BL-EI	0 0		
3	806-77173-00-00	. LEVER, LATCH 1	2	
4	90508-10012-00	. SPRING, TORSION	2	
5	90249-04068-00	. PIN, SPECL SHAPE	2	
6	97313-05016-00	BOLT, HEXAGON	4	
7	92990-05100-00	WASHER, SPRING	4	
8	90201-05029-00	WASHER, PLATE	4	
9	(806-27413-00-00)	COVER, FOOTREST	1	
10	(806-27423-00-00)	COVER, FOOTREST	1	
11	(802-77592-00-00)	BRACKET, HITCH 2	1	
12	97013-06035-00	BOLT	2	
	97313-06040-00	BOLT, HEXAGON	2	
13	92995-06100-00	WASHER, SPRING	2	
14	802-77591-00-00	BRACKET, HITCH 1	1	
15	(91701-08102-00)	PIN, CLEVIS	1	
16	92990-08200-00	WASHER, PLAIN	1	
17	91401-25020-00	PIN, COTTER	1	
18	(826-77354-00-00)	EMBLEM 4	2	
19	(807-77595-02-00)	FLAP	1	
20	(807-77593-00-00)	PLATE, FLAP 1	2	
21	97313-06016-00	BOLT, HEXAGON	4	
22	92995-06100-00	WASHER, SPRING	4	
23	(822-77301-00-00)	LUGGAGE BOX ASSEMBLY ..	1	
24	(822-77392-00-00)	COVER, LUGGAGE BOX	1	
25	90249-03021-00	PIN, SPEC"L SHAPE	2	
26	(822-77340-00-00)	LUGGE BOX LTCH ASSEMBLY	2	
27	98702-03008-00	SCREW, FLAT HEAD	6	
28	98503-06014-00	SCREW, PAN HEAD (92502-06016)	3	

CONTINUED ON NEXT FRAME ➤

Property of www.SmallEngineDiscount.com - Not for Resale

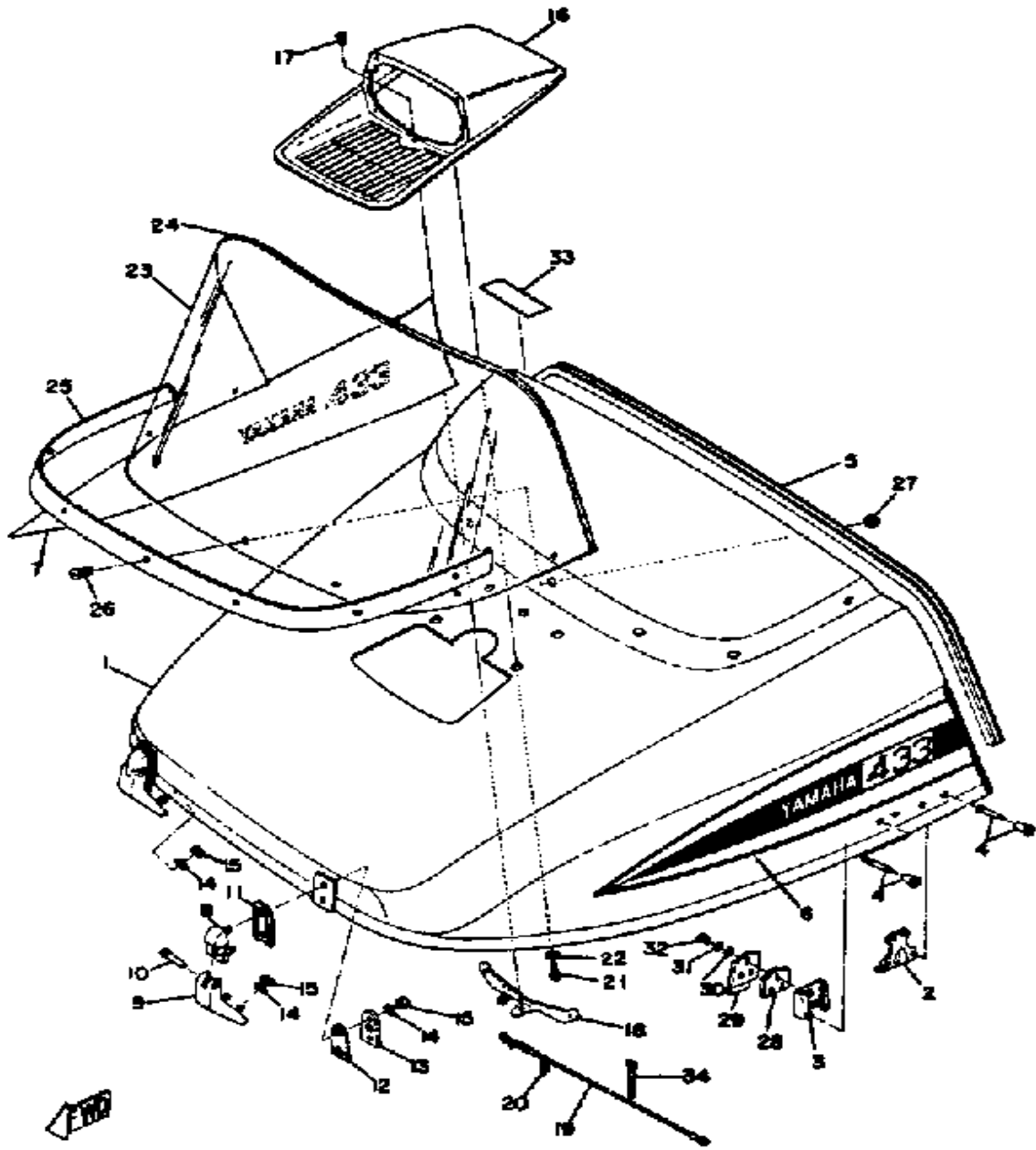
FRAME



Ref. No.	Part Number	Description	Qty	Remarks
29	92990-06200-00	WASHER	5	
30	98511-06025-00	SCREW PAN HEAD (92501-06025)	2	
31	(821-85131-00-00)	REFLECTOR, REAR 1	2	
32	92995-06100-00	WASHER, SPRING	2	
33	95380-06600-00	NUT	2	
-1	807-77170-00-00	LATCH ASSEMBLY	2	

Property of www.SmallEngineDiscount.com - Not for Resale

SHROUD

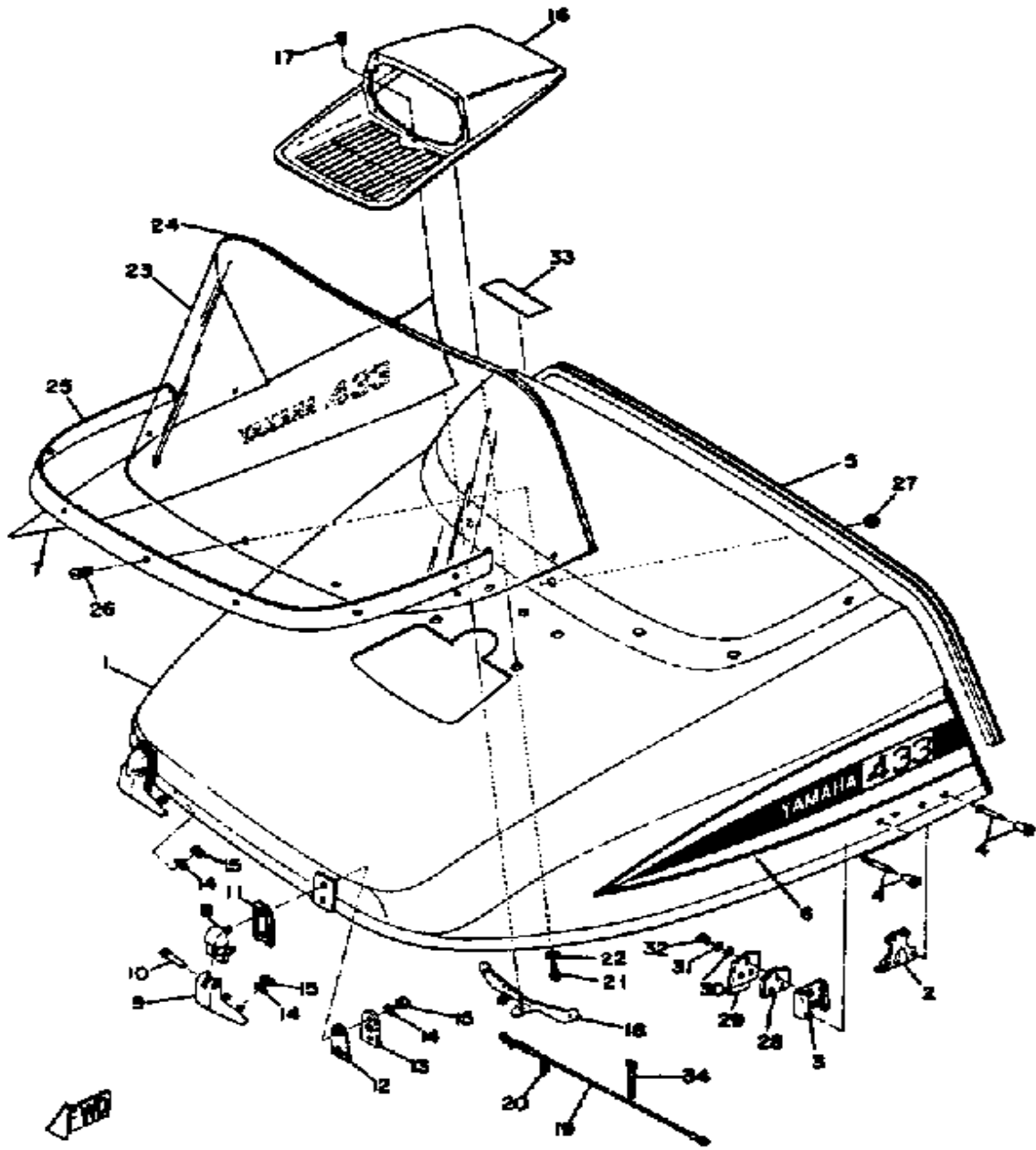


Ref. No.	Part Number	Description	Qty	Remarks
1	(807-77111-00-00)	SHROUD	1	
2	806-77171-00-00	BODY, LATCH 1	2	
3	(811-77138-00-00)	CLAMP 4	2	
4	90267-40026-00	RIVET, BLIND (806-77175-00) .	16	
5	(807-77166-00-00)	TRIM 2	1	
6	826-77163-00-00	ORNAMENT 1	1	
7	826-77164-00-00	ORNAMENT 2	1	
8	(806-77145-00-00)	HINGE 1	2	
9	806-77147-00-00	HINGE 3	2	
10	90243-05002-00	PIN (806-77157-00)	2	
11	(806-77198-00-00)	DAMPER 1	2	
12	810-77199-00-00	DAMPER 2	2	
13	810-77153-00-00	PLATE, BACK UP 1	2	
14	92995-06100-00	WASHER, SPRING	8	
15	95380-06600-00	NUT	8	
16	(811-84311-00-00)	BODY, HEADLIGHT	1	
17	98516-05012-00	SCREW, PAN HEAD 4CG	1	
18	(807-77139-00-00)	HOLDER, ROD 1	1	
	(826-77139-00-00)	HOLDER, ROD 1	1	
19	(826-77118-00-00)	STOPPER, SHROUD	1	
20	(806-77159-00-00)	CLAMP, ROD	1	
21	(97306-05015-00)	BOLT, HEXAGON	3	
22	(807-84344-00-00)	WASHER, PLAIN	3	
23	807-77210-00-00	WINDSHIELD	1	
24	(807-77213-00-00)	TRIM, UPPER	1	
25	(807-77214-00-00)	TRIM, LOWER	1	
26	98901-05016-00	SCREW, BIND (98903-05016-00)	7	
27	90180-05004-00	NUT, T (802-77217-00)	7	
28	810-77179-00-00	WASHER 2	2	

CONTINUED ON NEXT FRAME ➤

Property of www.SmallEngineDiscount.com - Not for Resale

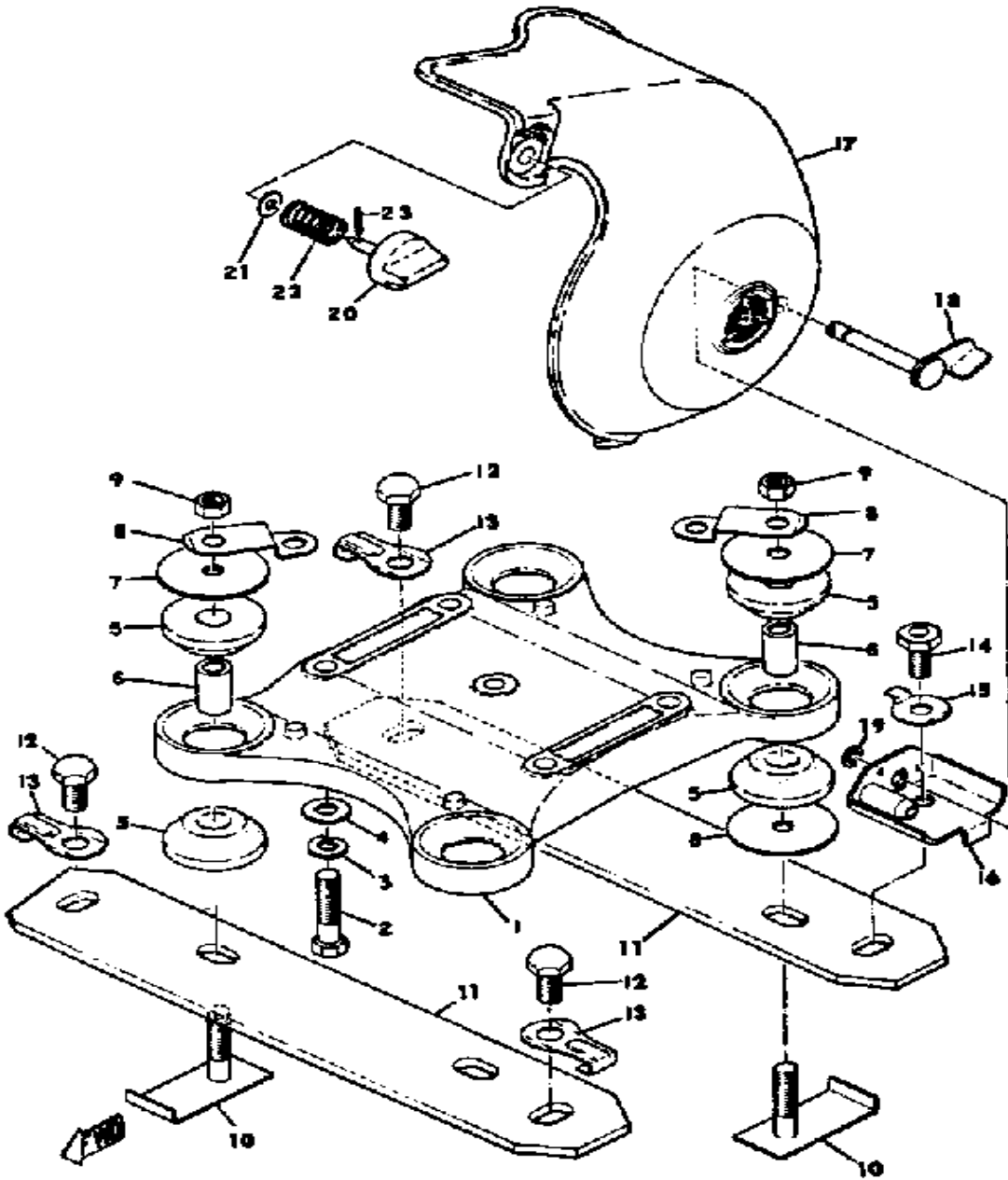
SHROUD



Ref. No.	Part Number	Description	Qty	Remarks
29	810-77136-00-00	CLAMP 2	2	
30	90201-05029-00	WASHER, PLATE	6	
31	92990-05100-00	WASHER, SPRING	6	
32	97313-05010-00	BOLT, HEXAGON	6	
33	288-21659-00-00	LABEL, SAFETY	1	
34	J45-83936-00-00	BAND, SWITCH CORD	3	

Property of www.SmallEngineDiscount.com - Not for Resale

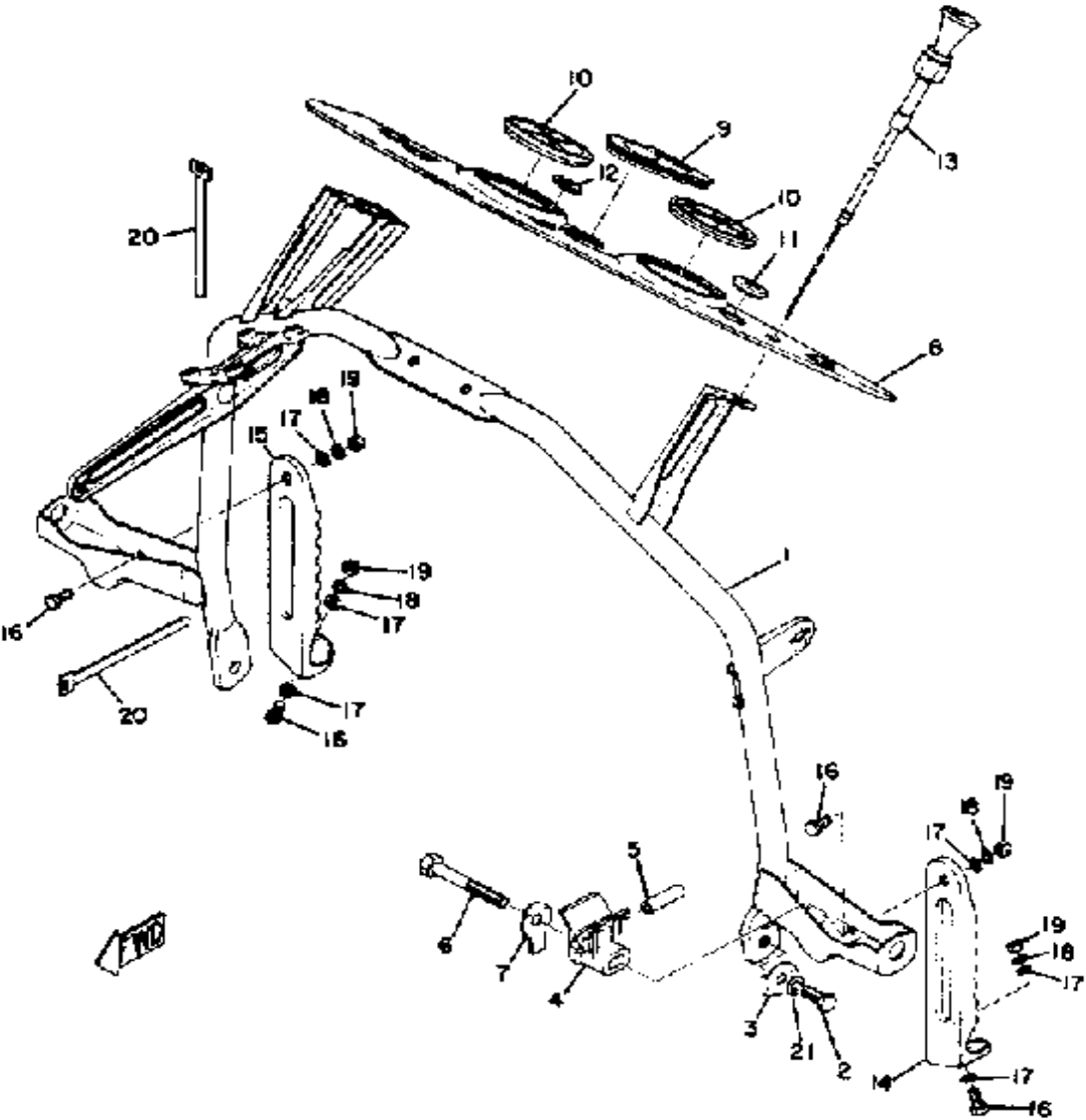
ENGINE BRACKET



Ref. No.	Part Number	Description	Qty	Remarks
1	(810-21411-00-00)	BRACKET, ENGINE 1	1	
2	97313-10050-00	BOLT, HEXAGON (676)	4	
3	92990-10100-00	WASHER, SPRING	4	
4	92990-10200-00	WASHER, PLAIN	4	
5	807-15316-00-00	DAMPER, ENG MOUNT 1	8	
6	90560-10020-00	SPACER	4	
7	(807-21491-00-00)	WASHER, LOCK	4	
8	(810-15176-00-00)	GASKET, BLIND PLG 2	4	
9	95303-10700-00	NUT	4	
10	821-21482-00-00	BOLT, ENG MNTNG 2	4	
11	(826-21419-00-00)	BRACKET, ENGINE 2	2	
12	(90106-10015-00)	BOLT, DOME HEAD	3	
13	90208-10013-00	WASHER, CONICAL SPR	3	
14	(90101-10057-00)	BOLT	1	
15	90208-10012-00	WASHER, CONICAL SPRING	1	
	90215-10073-00	WASHER, LOCK	1	
16	(821-77315-00-00)	BRACKET 1	1	
17	(810-77311-01-00)	GUARD, DRIVE	1	
18	806-77314-00-00	ARM, FITTING	1	
19	99009-06600-00	CIRCLIP	1	
20	(806-77324-00-00)	KNOB	1	
21	90201-06063-00	WASHER, PLATE	2	
22	90501-16103-00	SPRING, COMPRESSION	1	
23	91690-25016-00	PIN, SPRING	1	

Property of www.SmallEngineDiscount.com - Not for Resale

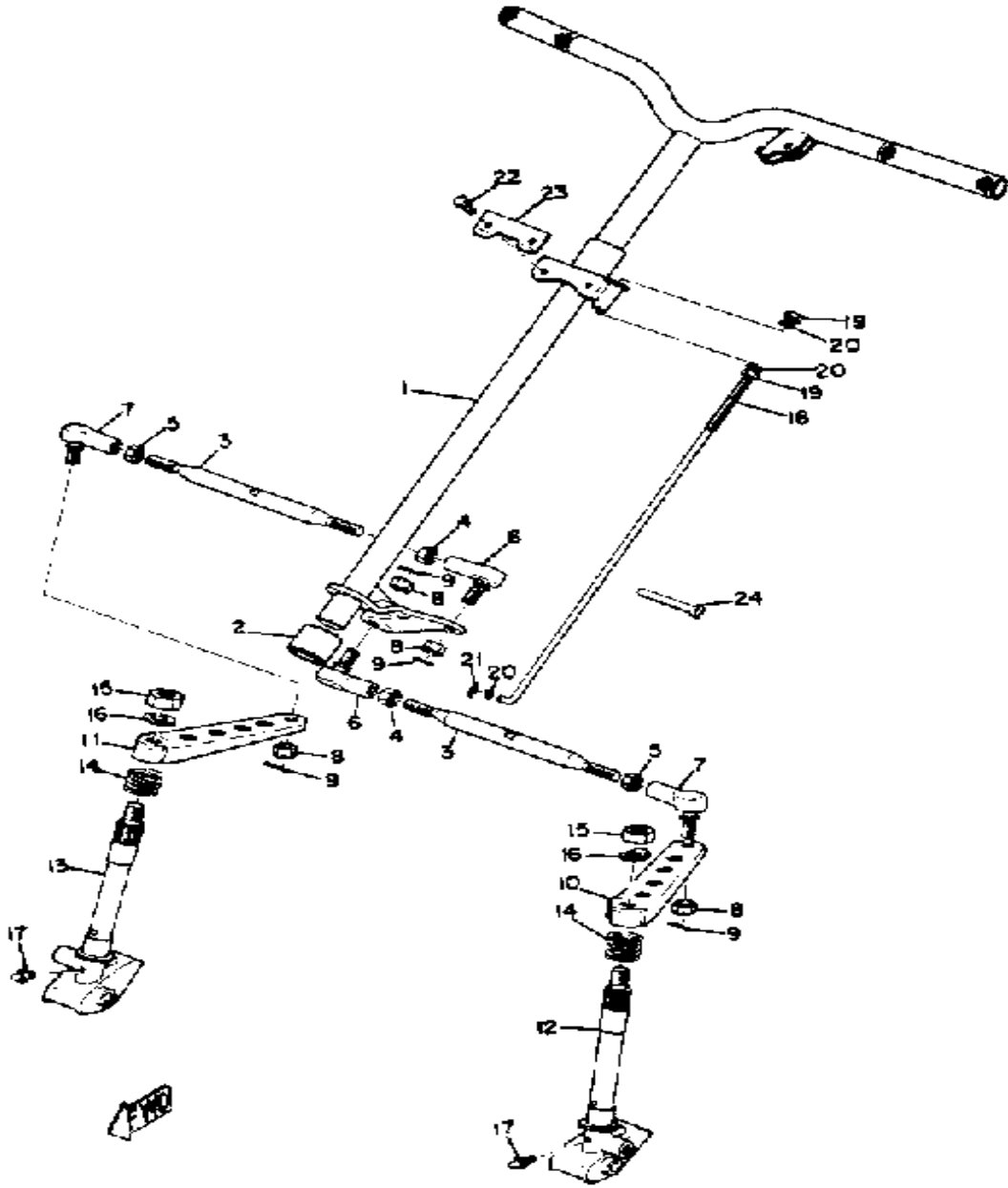
STEERING GATE



Ref. No.	Part Number	Description	Qty	Remarks
1	(826-23871-00-00)	GATE, STEERING	1	
2	97306-08018-00	BOLT, HEXAGON (97206-08018)	2	
3	(861-23895-00-00)	WASHER, LOCK 2	2	
4	(90464-09003-00)	CLAMP	2	
5	821-77188-01-00	STOPPER	2	
6	90101-08039-00	BOLT (810-77537-00)	2	
7	(90215-08039-00)	WASHER, LOCK	2	
8	(811-77711-00-00)	PANEL, INSTRUMENT	1	
9	(811-77746-00-00)	GROMMET	1	
10	810-77715-00-00	ORMNT, INSTR PNL 1	2	
11	810-77716-00-00	ORNAMENT, INSTRUMENT PANEL 2	1	
12	(102-82598-00-00)	GROMMET	1	
13	811-26331-00-00	CABLE, STARTER 1	1	
14	(810-27411-00-00)	FOOTREST 1	1	
15	(810-27421-00-00)	FOOTREST 2	1	
16	97013-06012-00	BOLT	4	
17	92990-06200-00	WASHER	6	
18	92995-06100-00	WASHER, SPRING	4	
19	95380-06600-00	NUT	4	
20	437-83936-11-00	BAND, SWITCH CORD	2	
21	90201-08624-00	WASHER, PLATE	2	

Property of www.SmallEngineDiscount.com - Not for Resale

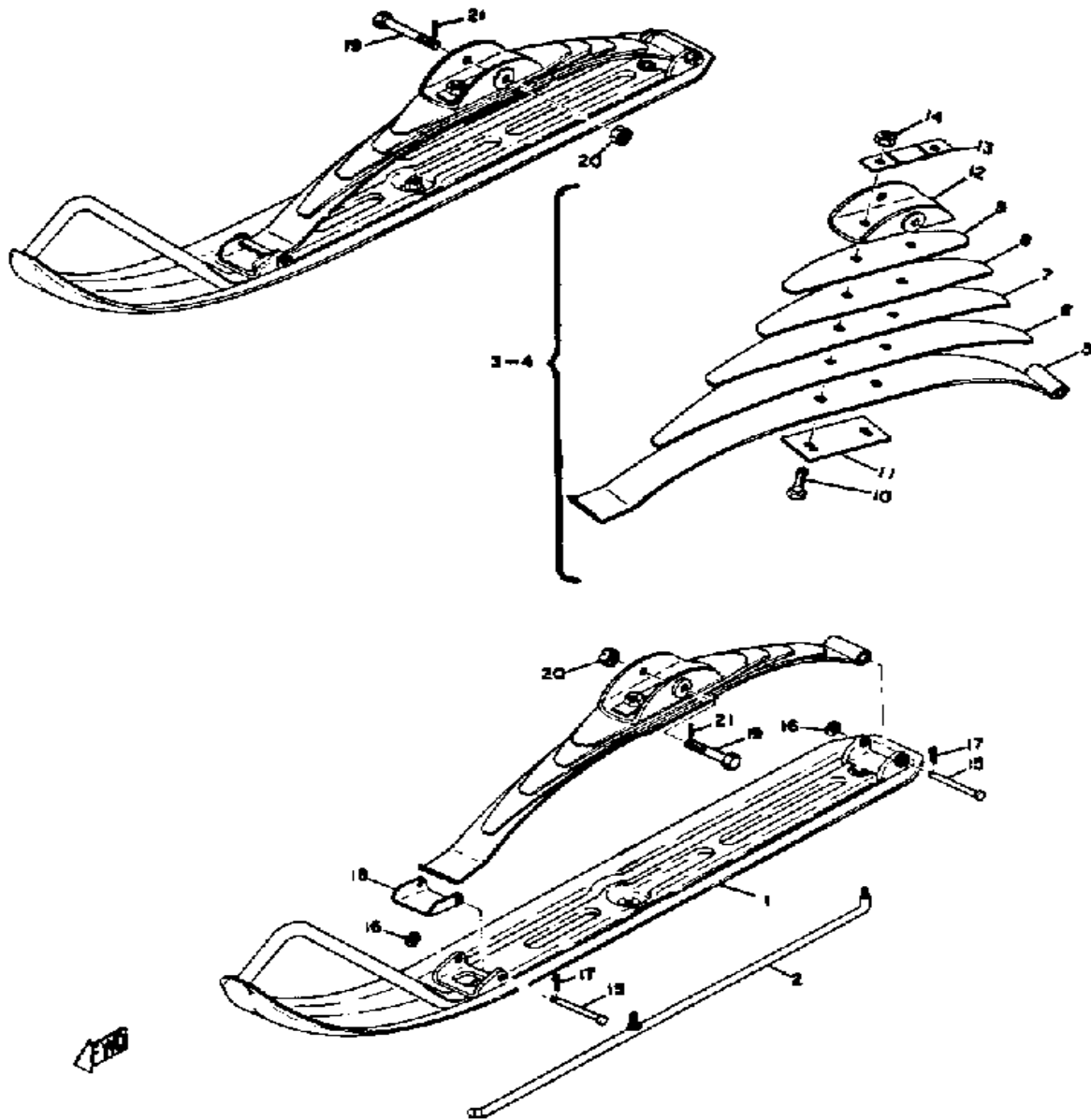
STEERING



Ref. No.	Part Number	Description	Qty	Remarks
1	(826-23811-00-00)	COLUMN, STEERING	1	
2	(806-23875-00-00)	BEARING, STRG LOWER	1	
3	(826-23821-00-00)	ROD, STEERING RELAY	2	
4	90170-12055-00	NUT	2	
5	90170-12054-00	NUT	2	
6	(821-23841-90-00)	JOINT, UNIVERSAL 1	2	
7	(821-23845-90-00)	JOINT, UNIVERSAL 2	2	
8	90171-10002-00	NUT, CASTLE	4	
9	91401-25030-00	PIN, COTTER	4	
10	(810-23851-00-00)	ARM, OUTSIDE 1	1	
11	(810-23851-00-00)	ARM, OUTSIDE 1	1	
12	(816-23853-00-00)	COLUMN, SKI 1	1	SEE SN29 FOR IDENTIFICATION
13	(816-23854-00-00)	COLUMN, SKI 2	1	
14	90501-35154-00	SPRING, COMPRESSION	2	
15	95306-12600-00	NUT	2	
16	90215-12031-00	WASHER, LOCK (810-23857-00)	2	
17	93700-06M03-00	NIPPLE, GREASE	2	
18	(810-23861-00-00)	BAR, TENSION	1	
19	95316-06700-00	NUT 54G	2	
20	92906-06200-00	WASHER	3	
21	90468-10050-00	CLIP	1	
22	97016-06020-00	BOLT	2	
23	(810-23894-00-00)	WASHER, LOCK 1	1	
24	J45-83936-00-00	BAND, SWITCH CORD	2	

Property of www.SmallEngineDiscount.com - Not for Resale

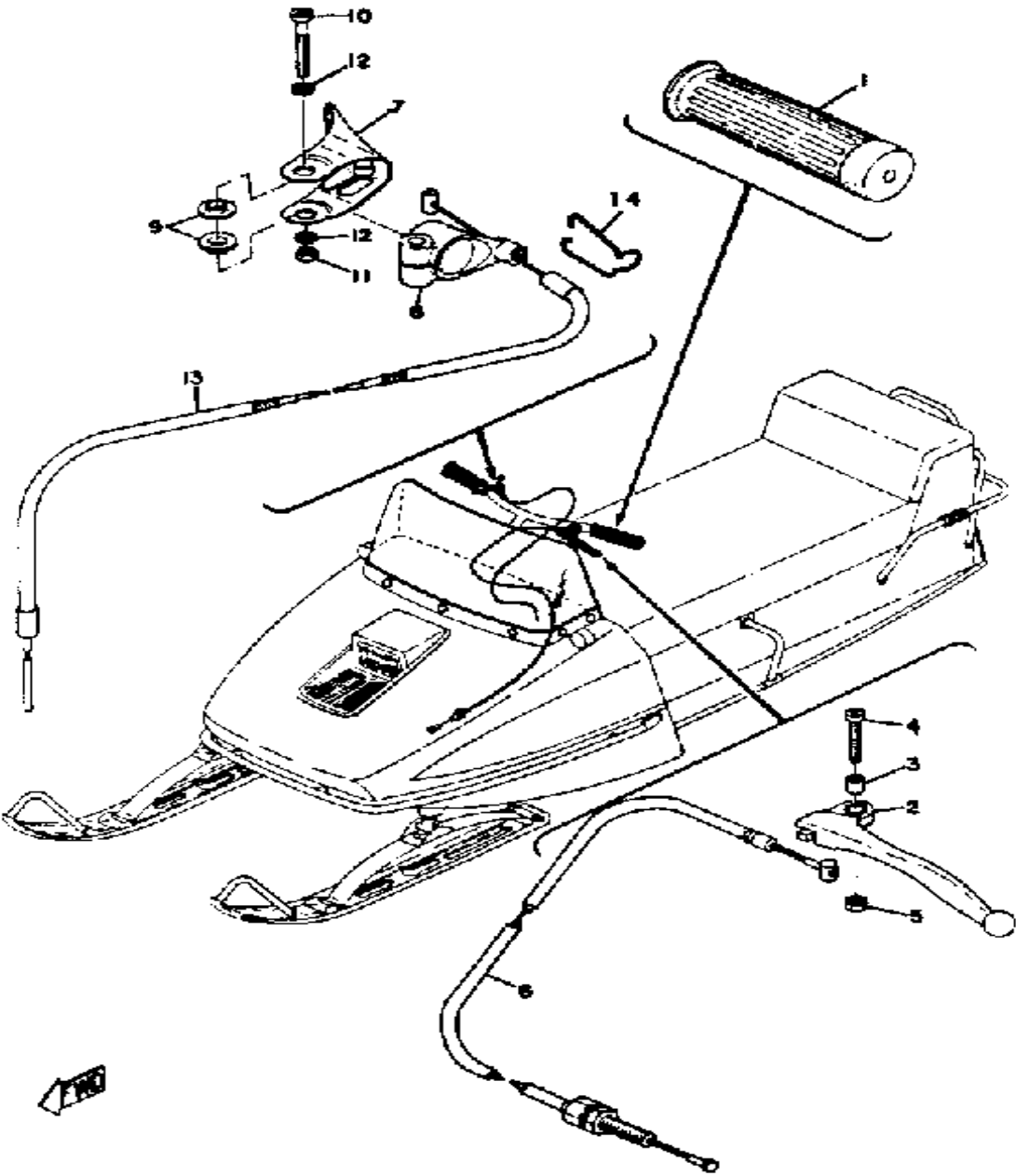
SKI



Ref. No.	Part Number	Description	Qty	Remarks
1	(838-23710-01-00)	SKI 1	2	USE WITH 838 TYPE RUNNER
2	821-23731-01-00	RUNNER 1	2	
	838-23731-03-00	RUNNER 1	2	USE WITH 838 TYPE SKI
3	(811-23760-00-00)	SPRING ASSEMBLY 1	1	
4	(811-23770-00-00)	SPRING ASSEMBLY 2	1	
5	811-23761-00-00	. LEAF 1	2	
6	(811-23762-00-00)	LEAF 2	2	
7	811-23763-00-00	. LEAF 3	2	
8	(810-23763-00-00)	LEAF 3	2	
9	(810-23764-00-00)	LEAF 4	2	
10	90101-10062-00	. BOLT	4	
11	802-23768-00-00	. SEAT, SPRING 1	2	
12	806-23766-00-00	. SADDLE 1	2	
13	(90209-10037-00)	WASHER, SPEC'L SHAP	2	
	90209-10069-00	. WASHER, SPEC'L SHAP ...	2	
14	95336-10600-00	. NUT	4	
15	90240-08035-00	PIN, CLEVIS (801-23733-00) ...	4	
16	92906-08200-00	WASHER	4	
17	91401-30020-00	PIN, COTTER	4	
18	802-23735-00-00	PLATE, WEAR 1	2	
19	90102-10023-00	BOLT, WITH HOLE	2	
20	95306-10900-00	NUT, SLOTTED	2	
21	91490-20025-00	PIN, SPLIT	2	

Property of www.SmallEngineDiscount.com - Not for Resale

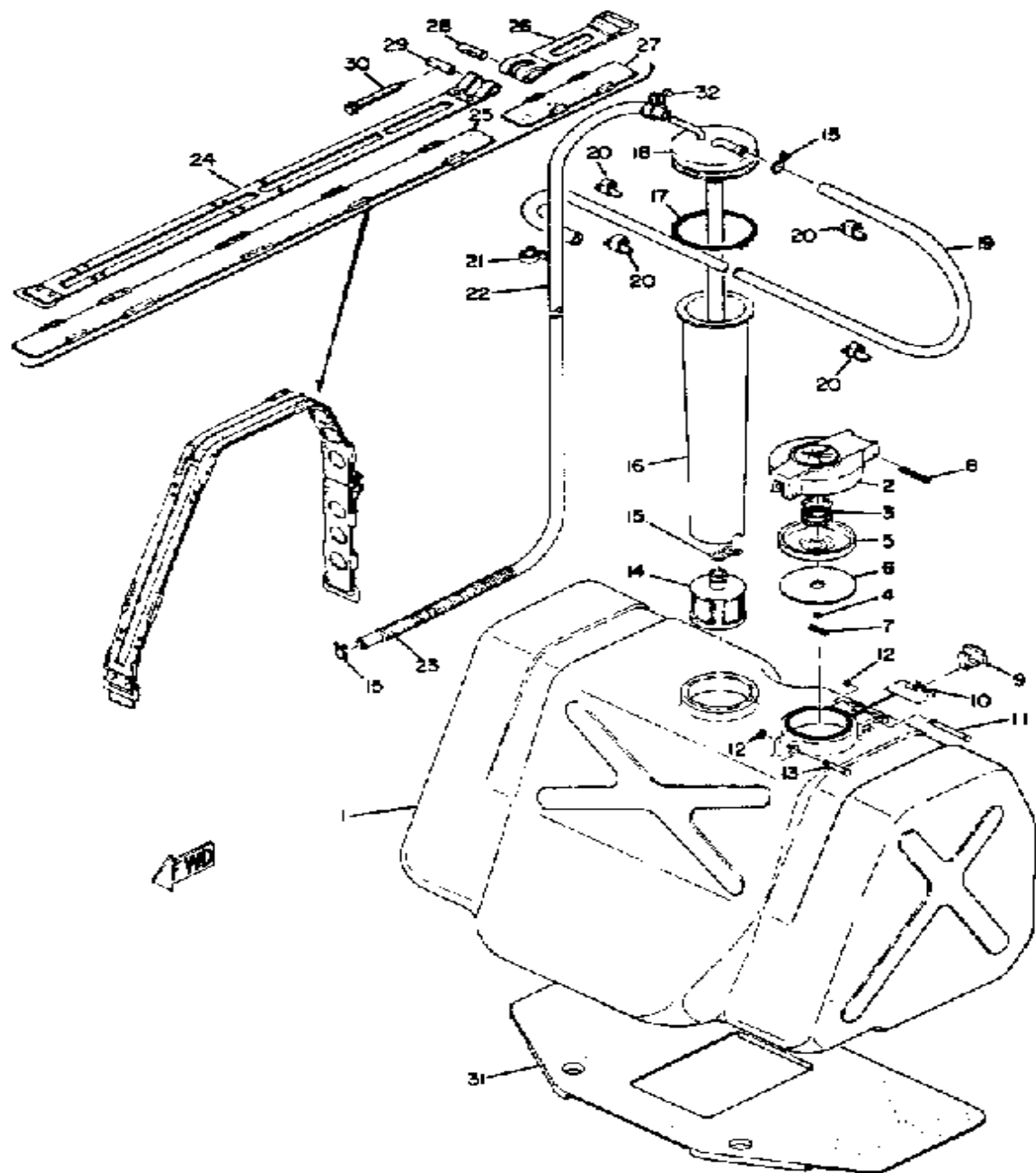
GRIP WIRING



Ref. No.	Part Number	Description	Qty	Remarks
1	801-26241-01-00	GRIP	2	
2	803-83912-00-38	LEVER 1	1	
3	802-83913-00-00	COLLAR, LEVER 1	1	
4	90157-05006-00	SCREW, PAN HEAD (803-83915-00)	1	
5	95311-05700-00	NUT	1	
6	(826-26340-00-00)	CABLE, BRAKE	1	
7	99999-01028-00	THROTTLE LEVER	1	
8	810-82821-00-00	HOLDER, LEVER 2	1	
9	90387-062M9-00	COLLAR	2	
10	90157-06004-00	SCREW, PAN HEAD (810-83925-00)	1	
11	95380-06700-00	NUT	1	
12	92990-06200-00	WASHER	2	
13	810-26311-00-00	CABLE, THROTTLE 1	1	
14	90468-10017-00	CLIP (821-26391-00)	1	

Property of www.SmallEngineDiscount.com - Not for Resale

FUEL TANK

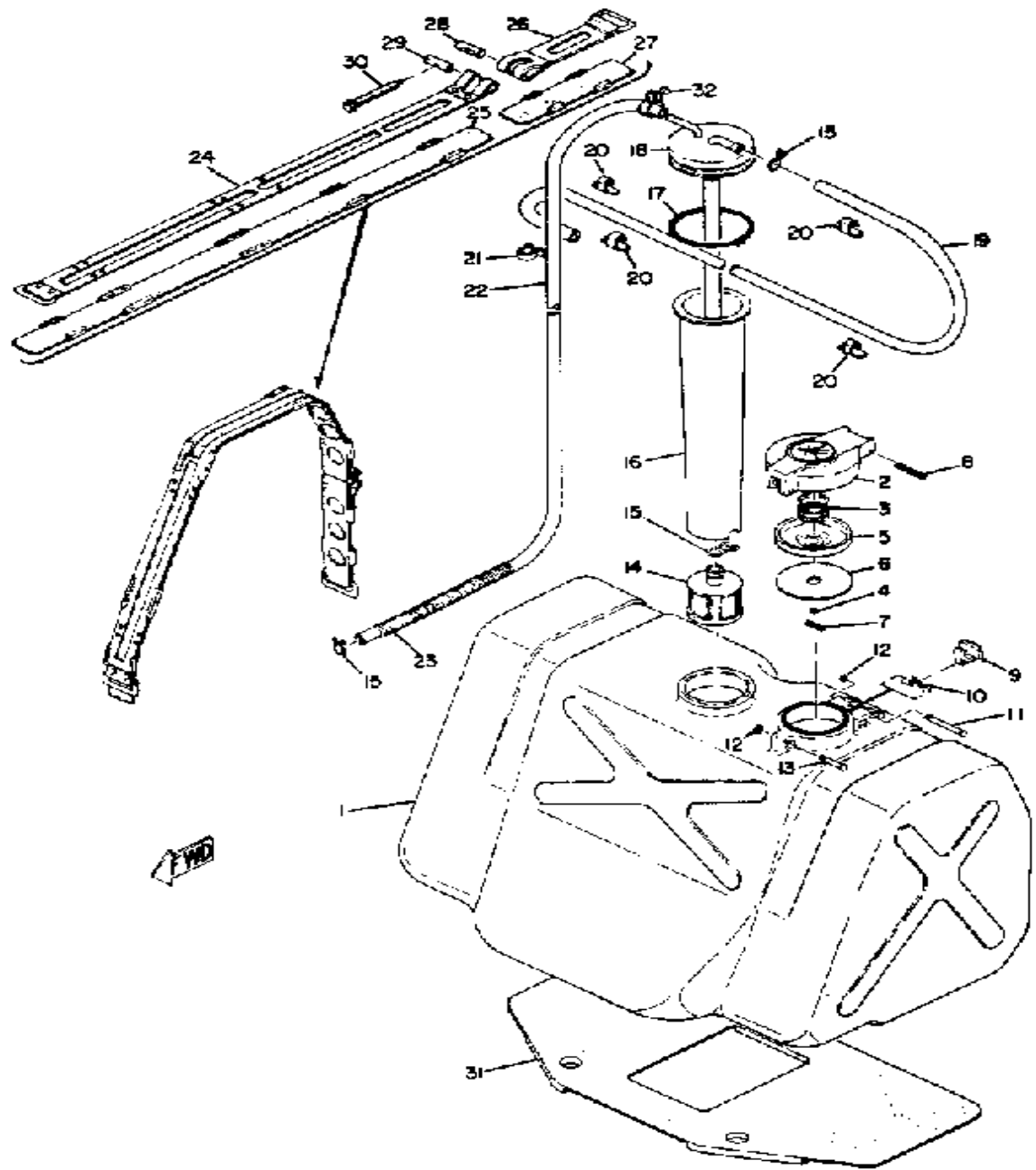


Ref. No.	Part Number	Description	Qty	Remarks
1	(826-24111-00-00)	FUEL TANK	1	
2	813-24611-01-00	BODY, CAP	1	
3	90501-20130-00	SPRING, COMPRESSION	1	
4	93210-04122-00	O-RING	1	
5	813-24613-01-00	DISC, CAP	1	
6	256-24612-00-00	GASKET, CAP	1	
7	91609-30016-00	PIN, SPRING	1	
8	91609-25032-00	PIN, SPRING	1	
9	83M-24628-00-00	HOOK	1	
10	90508-08003-00	SPRING, TORSION (813-24637-00)	1	
11	90249-03017-00	PIN	1	
12	93430-02001-00	CIRCLIP	2	
13	90249-03016-00	PIN, SPEC"L SHAPE	1	
14	(813-24560-01-00)	FILTER ASSEMBLY	1	
15	90467-11009-00	CLIP	3	
16	(822-24336-00-00)	PIPE, SUCTION 2	1	
17	90506-06065-00	SPRING, TENSION	1	
18	(822-24335-00-00)	PIPE, SUCTION 1	1	
	(822-24335-01-00)	PIPE, SUCTION 1	1	
19	(816-24318-00-00)	PIPE, OVERFLOW	1	
	90446-09015-00	HOSE	1	
20	(813-24366-00-00)	CLAMP, FUEL PIPE 1	4	
21	(90463-07002-00)	CLAMP	1	
22	(826-24311-00-00)	PIPE, FUEL 1	1	
	90446-11040-00	HOSE	1	
23	806-24328-00-00	PROTECTOR, PIPE	1	
24	(822-24173-00-00)	BAND, TNK FITTING 1	2	
25	822-24183-00-00	DAMPER, LOCATING 3	2	

CONTINUED ON NEXT FRAME ►

Property of www.SmallEngineDiscount.com - Not for Resale

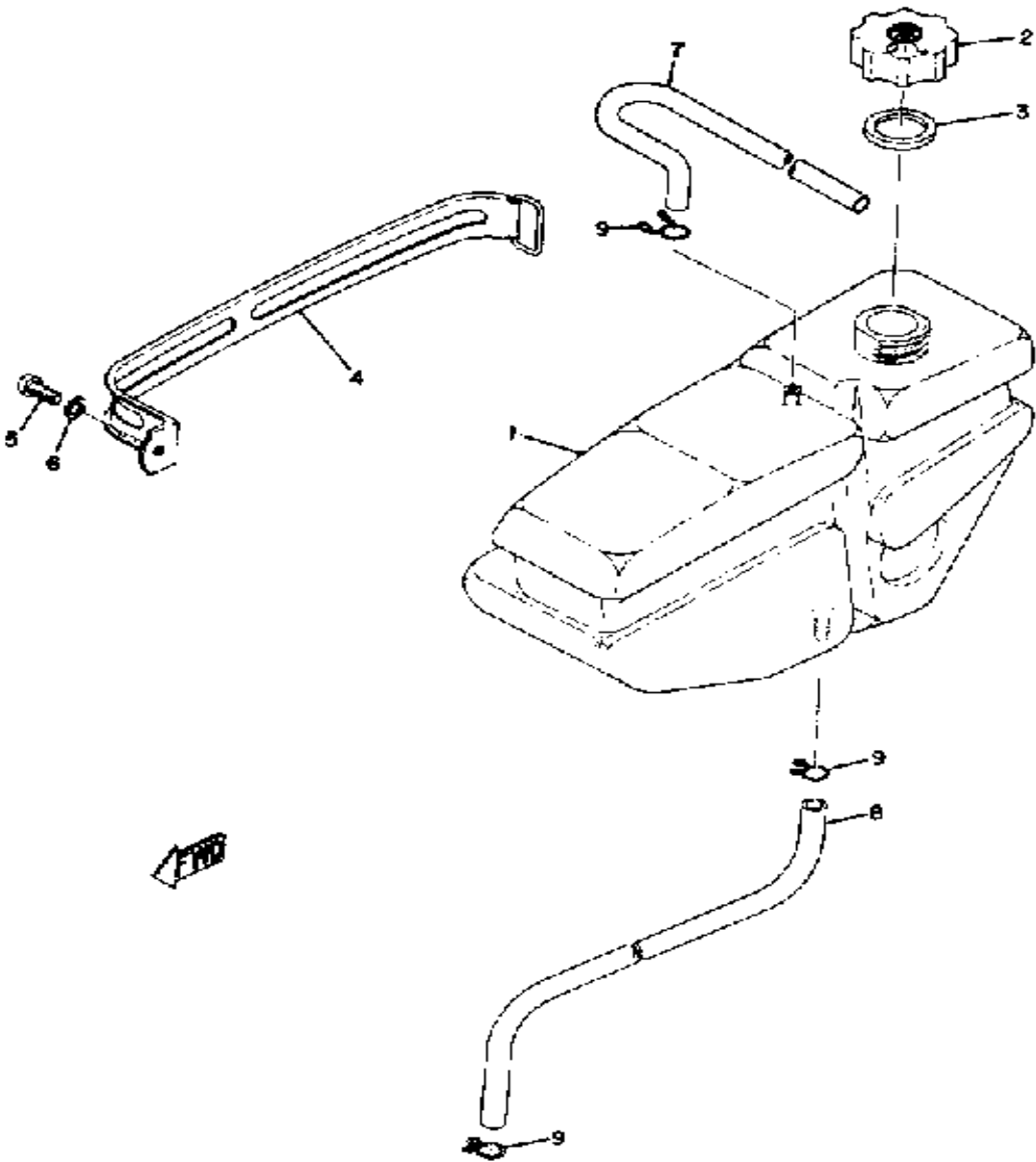
FUEL TANK



Ref. No.	Part Number	Description	Qty	Remarks
26	(822-24173-00-00)	BAND, TNK FITTING 1	2	
	(822-24199-00-00)	BAND, TNK FITTING 2	2	
	810-24199-00-00	BAND, TNK FITTING 2	2	SEE PN 51
27	(822-24184-00-00)	DAMPER, LOCATING 4	2	
28	90179-05030-00	NUT, SPEC'L SHAPE (806-24146-00)	2	
29	806-24135-00-00	CLAMP 1	2	
30	90149-05006-00	SCREW, SPEC'L SHAPE (821-24176-00)	2	
31	(826-24181-00-00)	DAMPER, LOCATING 1	1	
32	90460-11002-00	CLAMP, HOSE	1	
	90467-11009-00	CLIP	1	

Property of www.SmallEngineDiscount.com - Not for Resale

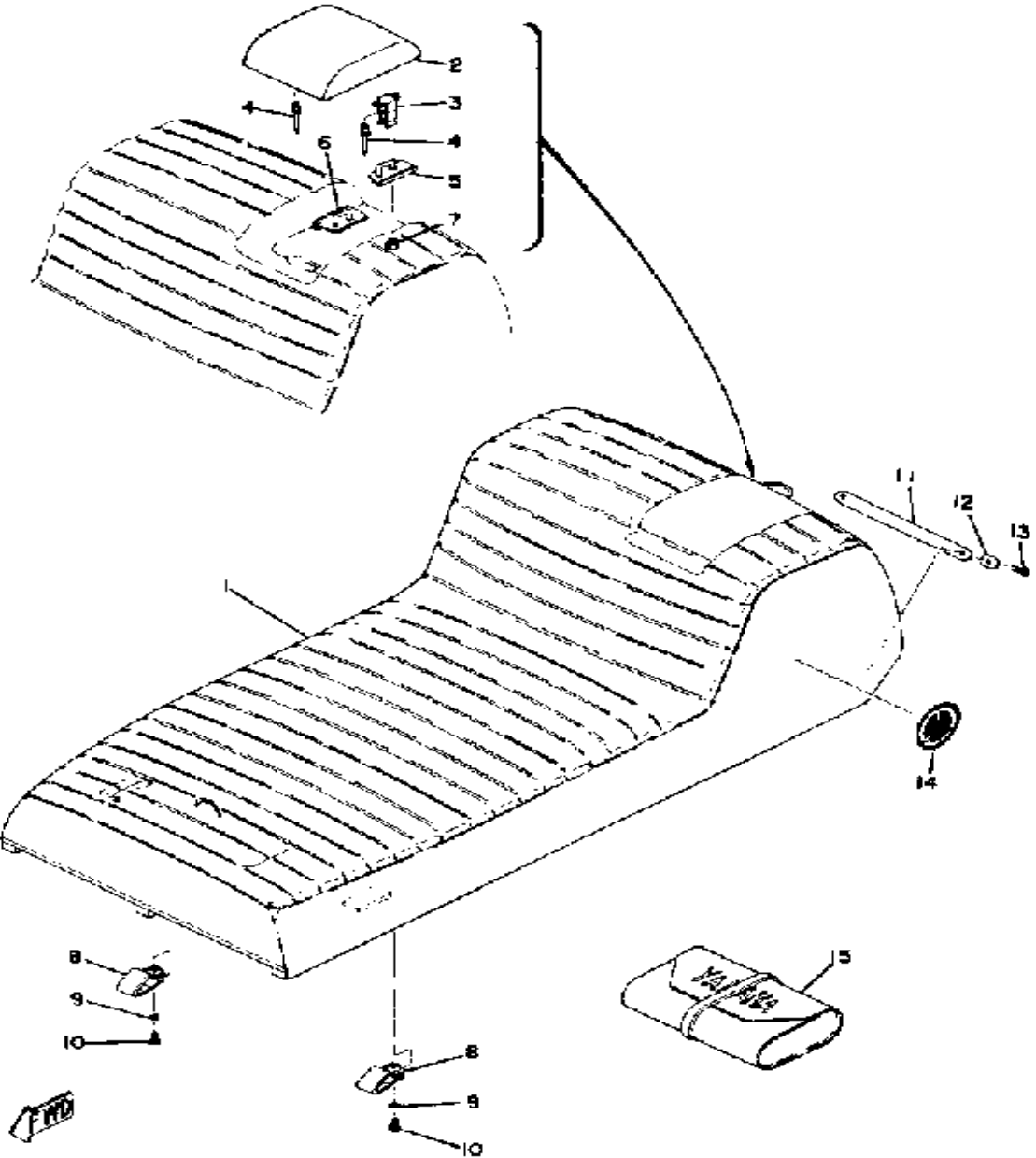
OIL TANK



Ref. No.	Part Number	Description	Qty	Remarks
1	(810-21751-00-00)	TANK, OIL	1	
2	296-21771-62-00	BODY, CAP	1	
3	296-21772-00-00	GASKET, CAP	1	
4	810-21776-00-00	BAND, TANK FITTING	1	
5	98580-05012-00	SCREW, PAN HEAD	1	
	98580-05016-00	SCREW, PAN HEAD	1	
6	92990-05200-00	WASHER, PLAIN	1	
7	(810-21745-00-00)	PIPE, OIL TNK BRTHR	1	
8	90446-09015-00	HOSE	1	
9	810-24359-00-00	CLIP, PIPE 4	2	

Property of www.SmallEngineDiscount.com - Not for Resale

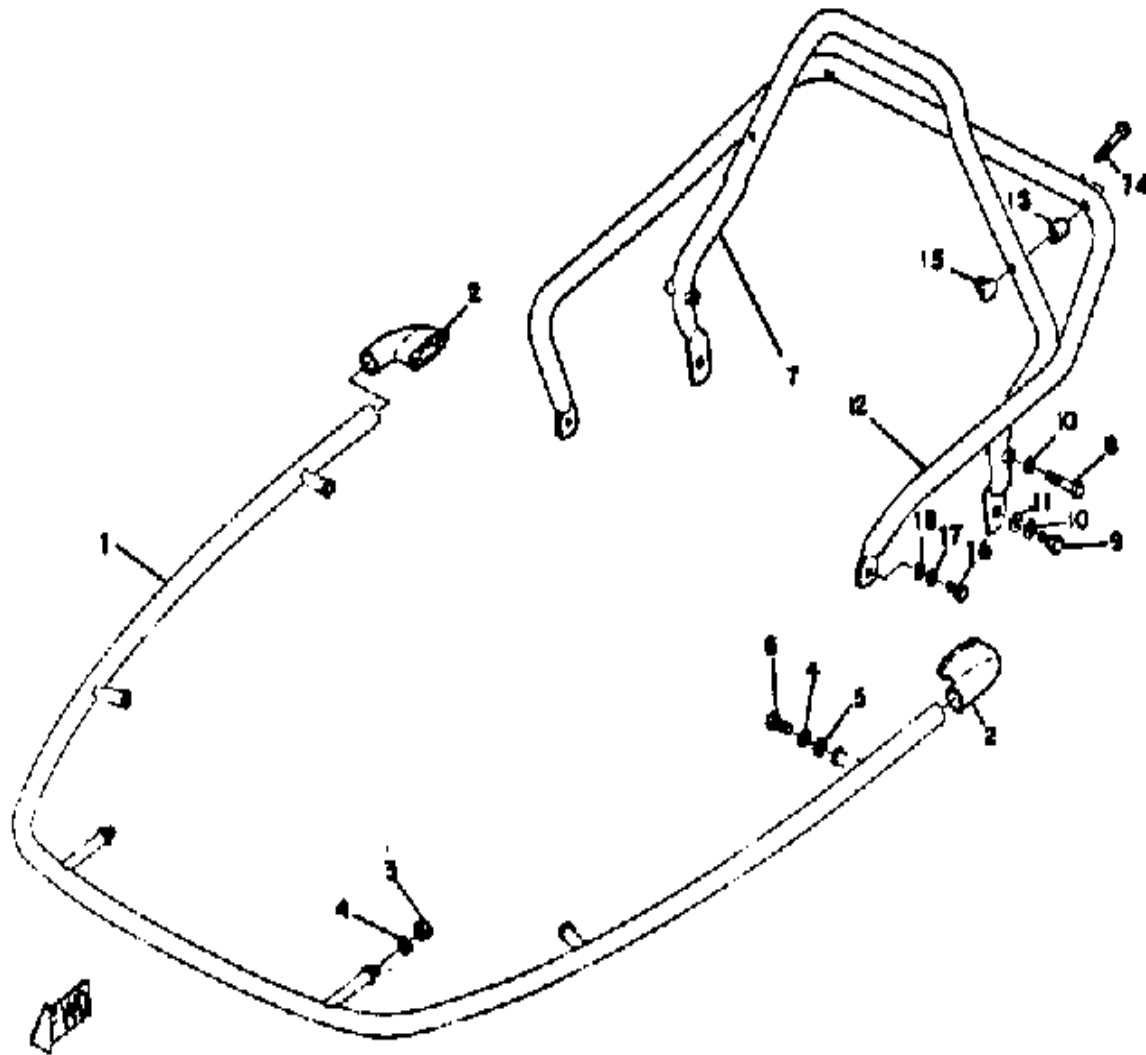
SEAT



Ref. No.	Part Number	Description	Qty	Remarks
1	(826-24730-00-00)	DOUBLE SEAT ASSEMBLY ...	1	
2	(822-24765-00-00)	LID, DOUBLE SEAT	1	
3	(821-24794-00-00)	SPRING, SEAT BACK	2	
4	(90267-32016-00)	RIVET, BLIND	6	
5	(821-24793-00-00)	PIN	1	
6	(821-24784-00-00)	PIN	1	
7	95380-06700-00	. NUT	4	
8	(809-24744-00-00)	PLATE, SEAT FITTING	2	
9	92995-06100-00	WASHER, SPRING	2	
10	98503-06014-00	SCREW, PAN HEAD (92502-06016)	2	
11	(813-24746-00-00)	WASHER, SEAT	1	
12	(90215-07064-00)	WASHER, LOCK	2	
13	97011-06020-00	BOLT	2	
14	821-77352-00-00	EMBLEM 2	2	
15	(811-28100-00-00)	TOOL KIT	1	
1-1	(826-24731-00-00)	COVER, DOUBLE SEAT	1	

Property of www.SmallEngineDiscount.com - Not for Resale

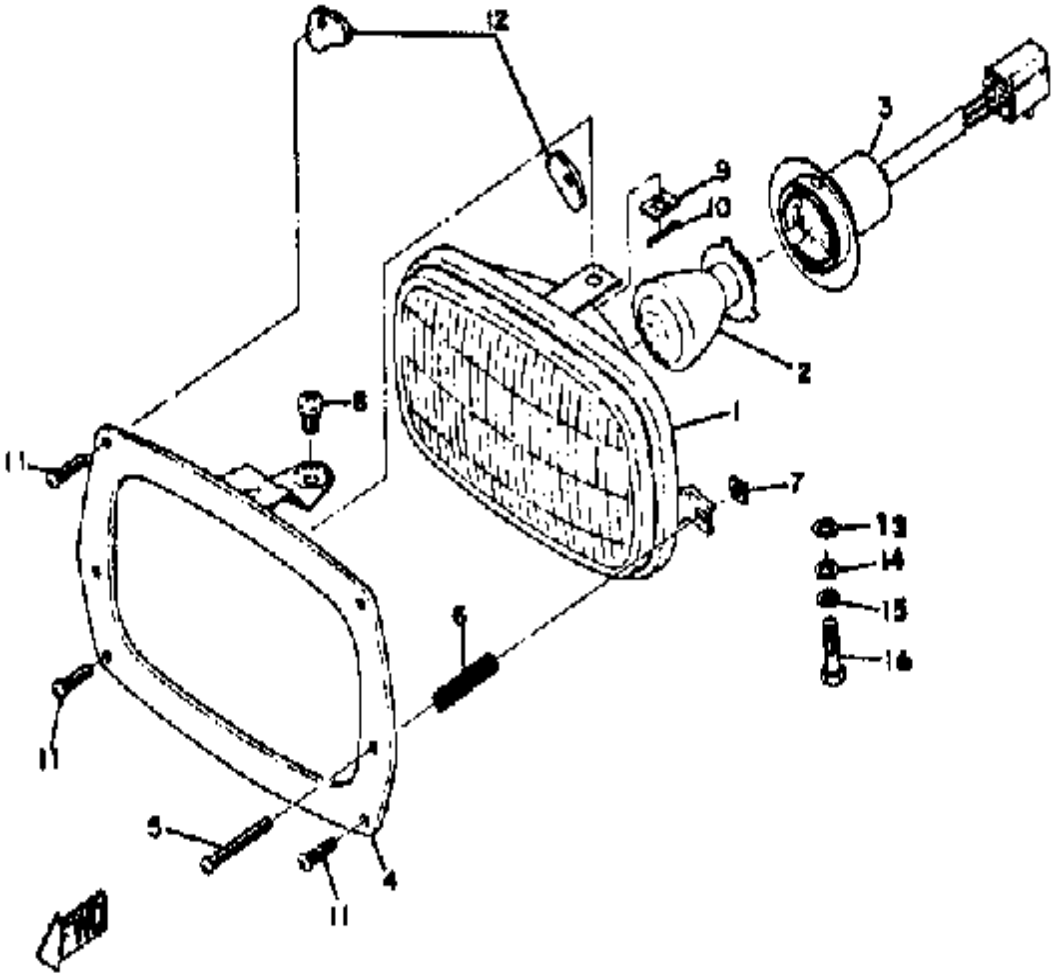
BUMPER



Ref. No.	Part Number	Description	Qty	Remarks
1	826-77510-00-00	FRONT BUMPER	1	
2	821-77523-00-00	END, BUMPER	2	
3	95333-08600-00	NUT	2	
4	92990-08100-00	WASHER	4	
5	92990-08200-00	WASHER, PLAIN	2	
6	97313-08018-00	BOLT, HEXAGON (97301-08016)	2	
7	826-77541-00-00	BUMPER, REAR 1	1	
8	97313-08045-00	BOLT	2	
9	97313-08018-00	BOLT, HEXAGON (97301-08016)	4	
10	92990-08100-00	WASHER	6	
11	92990-08200-00	WASHER, PLAIN	4	
12	(826-77571-00-00)	GRIP, ASSIST 1	1	
13	(806-77515-00-00)	BUSH, RUBBER 1	4	
14	92601-06050-00	SCREW, OVAL HEAD	4	
15	806-77573-00-00	NUT, SPECIAL	4	
16	97023-06020-00	BOLT (3XF)	2	
17	92995-06100-00	WASHER, SPRING	2	
18	92990-06200-00	WASHER	2	

Property of www.SmallEngineDiscount.com - Not for Resale

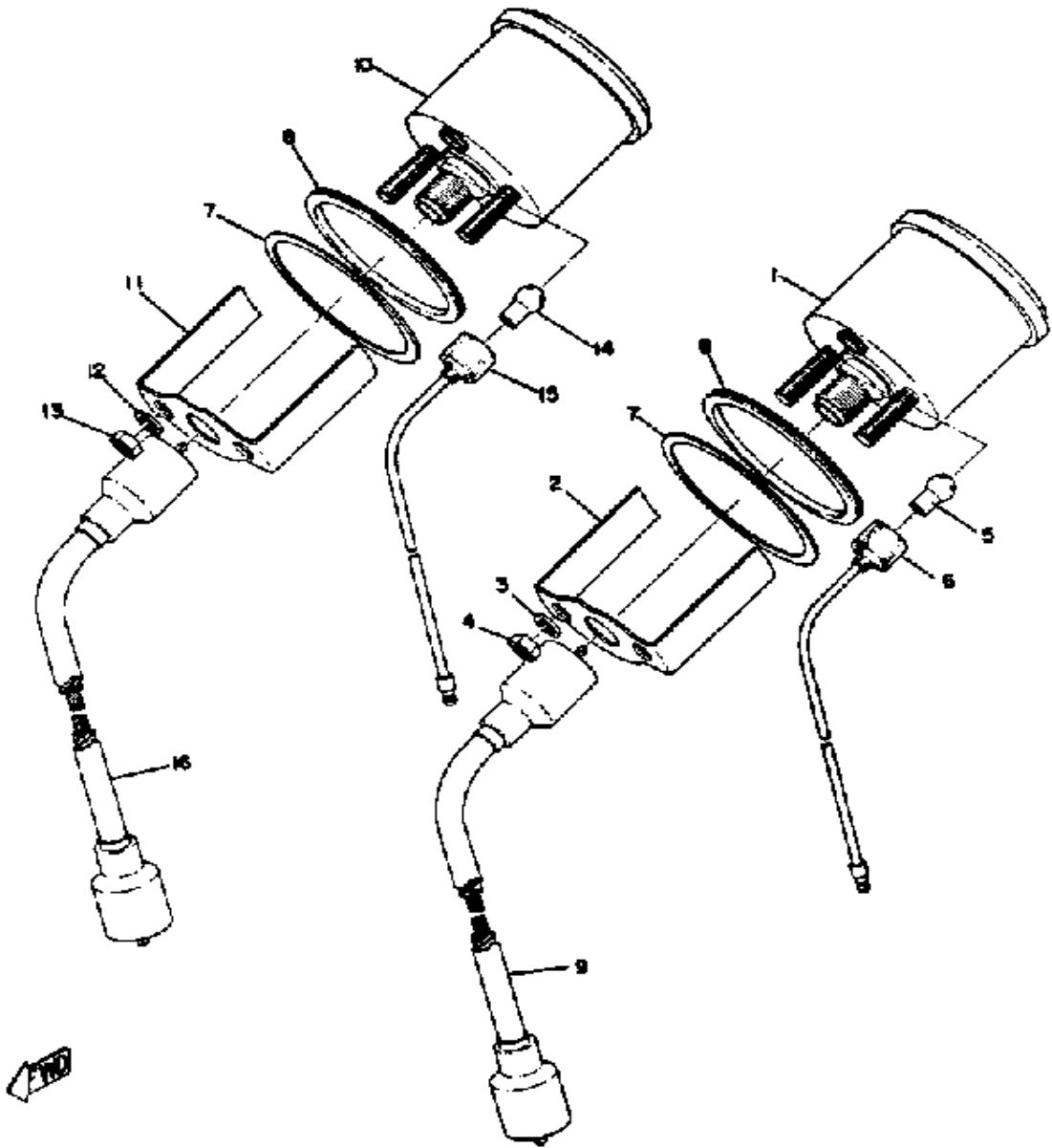
HEADLIGHT



Ref. No.	Part Number	Description	Qty	Remarks
1	826-84320-00-00	. LENS ASSEMBLY	1	
2	826-84314-00-00	. BULB, HEADLIGHT	1	
3	826-84312-00-00	. SOCKET	1	
4	(811-84315-00-00)	RIM, HEADLIGHT	1	
5	(807-84331-00-00)	SCREW, RIM ADJUSTING	2	
6	(807-84332-00-00)	SPRING, SCREW	2	
7	(807-84334-00-00)	NUT, ADJUSTING	2	
8	(811-84338-00-00)	COLLAR, BODY FTNG	1	
9	(807-84326-00-00)	NUT	1	
10	(807-84351-00-00)	CLAMP, CORD	1	
11	98603-04015-00	SCREW, OVAL HEAD	4	
12	(811-84316-00-00)	NUT, BODY FITTING	2	
13	(807-84344-00-00)	WASHER, PLAIN	2	
14	92906-05200-00	WASHER, PLAIN	2	
15	92906-05100-00	WASHER, SPRING	2	
16	97006-05020-00	BOLT (97206-05020)	2	
-1	(826-84310-00-00)	HEADLIGHT UNIT ASSEMBLY .	1	

Property of www.SmallEngineDiscount.com - Not for Resale

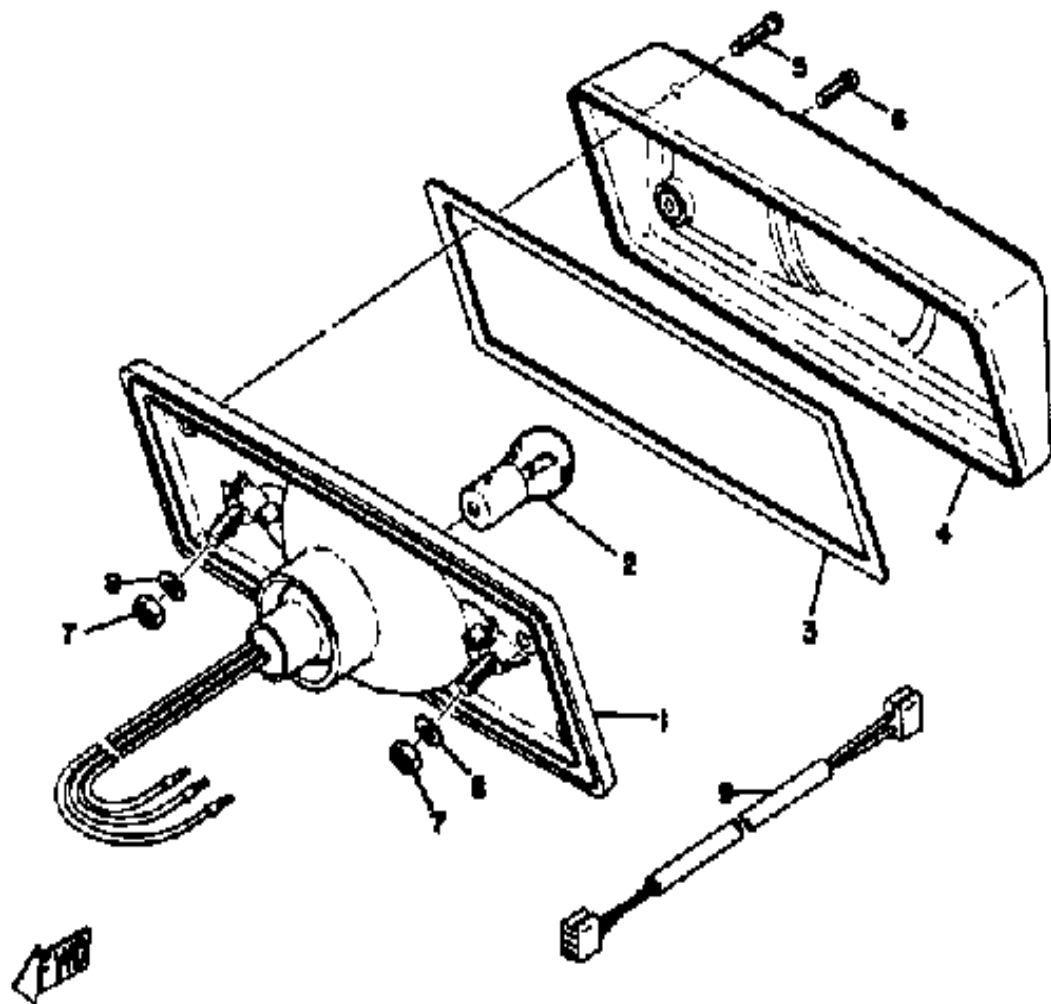
SPEEDOMETER - TACHOMETER



Ref. No.	Part Number	Description	Qty	Remarks
1	821-83510-40-00	SPEEDOMETER ASSEMBLY ..	1	
2	UNA-VAILA-BL-EI	0 0		
3	92990-05100-00	. WASHER, SPRING	2	
4	95380-05600-00	. NUT	2	
5	256-84347-00-00	. BULB	1	
6	(803-83536-10-00)	SOCKET, METER	1	
7	(803-83577-00-00)	PLATE, FITTING	2	
8	(809-83513-00-00)	DAMPER	2	
9	813-83550-01-00	SPEEDOMETER CABLEASS'Y	1	
10	(811-83540-00-00)	TACHOMETER ASSEMBLY ...	1	
11	UNA-VAILA-BL-EI	0 0		
12	92990-05100-00	. WASHER, SPRING	2	
13	95380-05600-00	. NUT	2	
14	256-84347-00-00	. BULB	1	
15	(811-83536-00-00)	SOCKET, METER	1	
16	819-83560-01-00	TACHOMETER CABLE	1	

Property of www.SmallEngineDiscount.com - Not for Resale

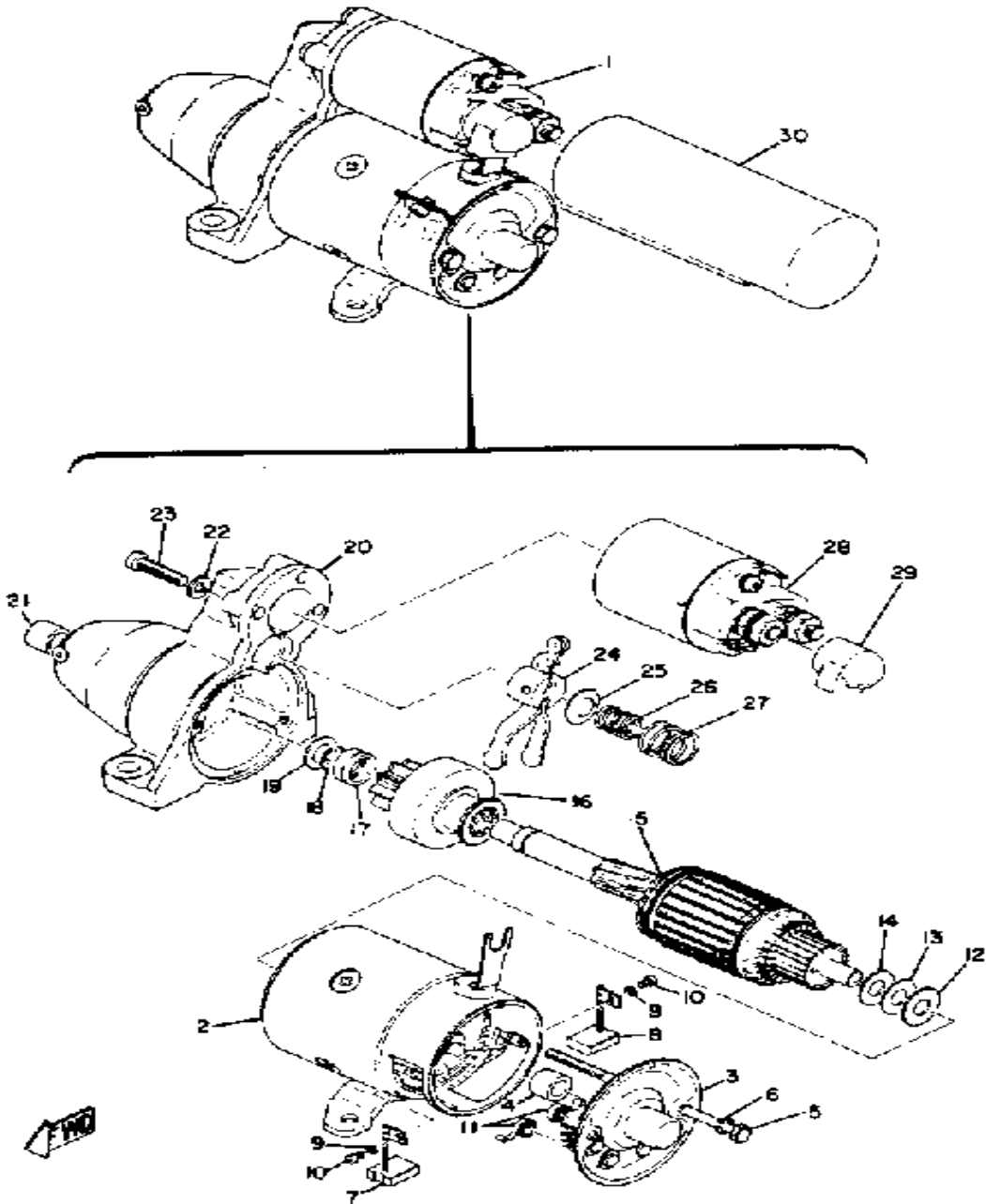
TAILLIGHT



Ref. No.	Part Number	Description	Qty	Remarks
1	(821-84711-01-00)	BASE, TAILLIGHT	1	
2	35R-83311-00-00	. BULB	1	
3	821-84712-00-00	. SEAT, BASE	1	
4	821-84721-00-00	. LENS, TAILLIGHT	1	
5	98511-04030-00	. SCREW, PAN HEAD	2	
6	98503-04014-00	. SCREW, PAN HEAD	2	
7	92995-06100-00	WASHER, SPRING	2	
8	95380-06600-00	NUT	2	
9	822-84727-00-00	CORD, TAILLIGHT	1	
-1	821-84710-00-00	TAILLIGHT UNIT ASSEMBLY ..	1	

Property of www.SmallEngineDiscount.com - Not for Resale

ELECTRIC MOTOR



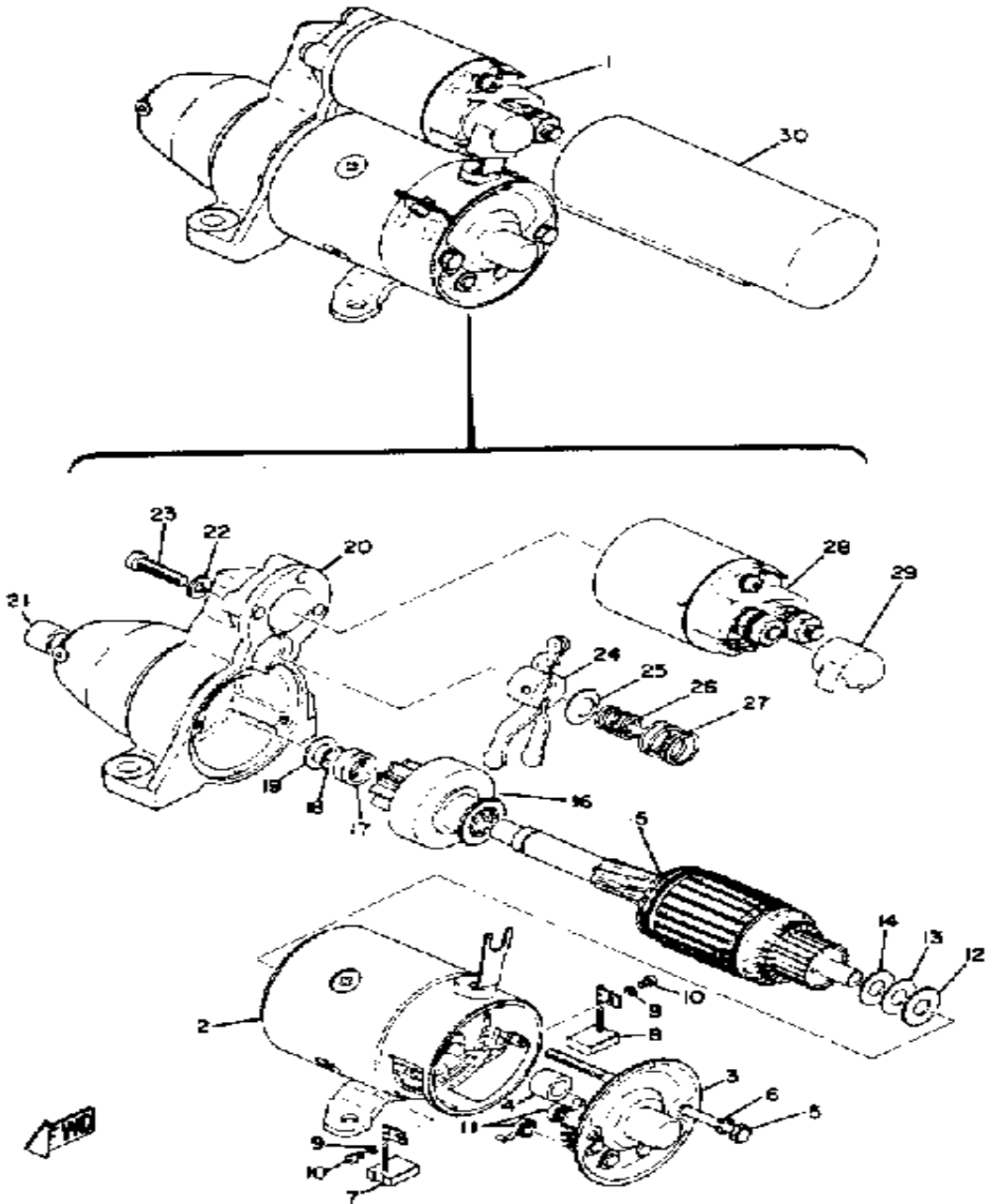
Ref. No.	Part Number	Description	Qty	Remarks
1	807-81000-00-00	ELECT.STARTER KIT (842-81800-20)	1	
2	(807-81810-20-00)	STATOR ASSEMBLY	1	
3	(807-81820-20-00)	REAR BRACKET ASSEMBLY	1	
4	(807-81821-20-00)	COVER, SWITCH	1	
5	(807-81826-20-00)	BOLT	2	
6	92990-05100-00	. WASHER, SPRING	2	
7	(807-81811-20-00)	BRUSH 1	1	
8	(807-81812-20-00)	BRUSH 2	1	
9	92990-03100-00	. WASHER, SPRING (92901-03100)	2	
10	(807-81845-20-00)	PLATE	2	
11	(807-81813-20-00)	SPRING, BRUSH	2	
12	(807-81825-20-00)	WASHER, INSULATOR	1	
13	(807-81824-20-00)	WASHER 2	1	
14	(807-81823-20-00)	STAY, STARTING MTR	1	
15	(807-81850-20-00)	ARMATURE ASSEMBLY	1	
16	(807-81832-20-00)	CLUTCH, OVER RUN	1	
17	(807-81833-20-00)	RING, STOP	1	
18	(807-81834-20-00)	RING	1	
19	(807-81835-20-00)	WASHER	1	
20	(807-81830-20-00)	FRONT BRACKET ASSEMBLY	1	
21	(807-81831-20-00)	METAL, FRONT	1	
22	92995-06100-00	. WASHER, SPRING	3	
23	(807-81846-20-00)	SCREW	3	
24	(807-81839-20-00)	LEVER ASSEMBLY	1	
25	(807-81838-20-00)	HOLDER, SPRING	1	
26	(807-81836-20-00)	SPRING, LEVER	1	
27	(807-81837-20-00)	SPRING, LEVER	1	

CONTINUED ON NEXT FRAME ►

Property of www.SmallEngineDiscount.com - Not for Resale

ELECTRIC MOTOR

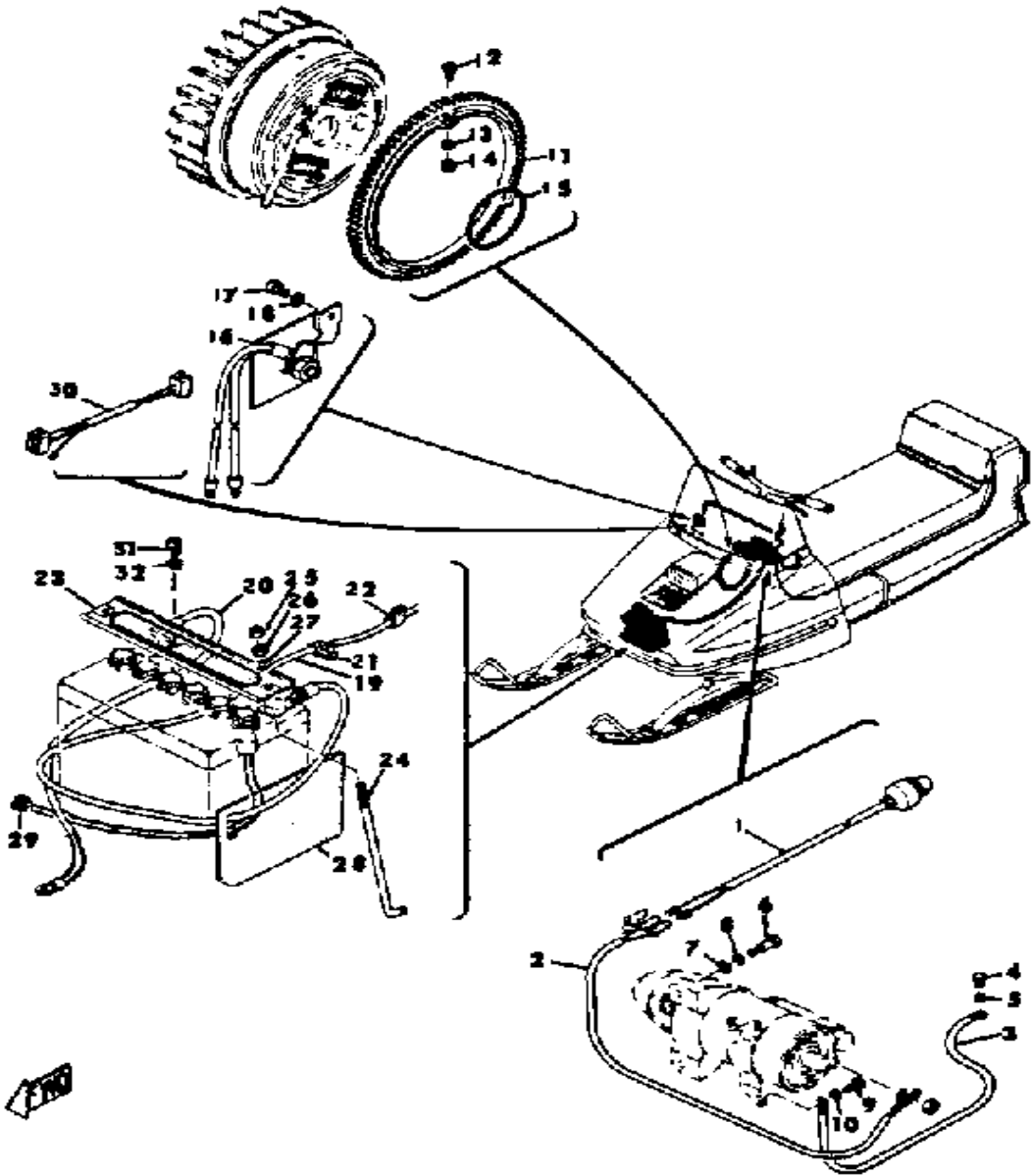
Ref. No.	Part Number	Description	Qty	Remarks
28	(807-81860-20-00)	SWITCH ASSEMBLY	1	
29	(807-81862-20-00)	CAP	1	
30	(819-81821-00-00)	COVER, SWITCH	1	



Property of www.SmallEngineDiscount.com - Not for Resale

ELECTRIC STARTER UNIT

Ref. No.	Part Number	Description	Qty	Remarks
1	(811-83970-00-00)	STARTER SWITCH ASSEMBLY	1	
2	(822-82127-00-00)	WIRE, LEAD 2	1	
3	(819-82117-00-00)	WIRE, LEAD	1	
4	97011-06010-00	BOLT	1	
5	92995-06100-00	WASHER, SPRING	1	
6	90149-08056-00	SCREW, SPEC'L SHAPE	2	
7	(90201-09116-00)	WASHER, PLATE	2	
8	92990-10100-00	WASHER, SPRING	2	
9	98501-08020-00	SCREW, PAN HEAD (92501-08020)	2	
10	92990-08100-00	WASHER	2	
11	(811-81891-00-00)	GEAR, RING	1	
12	(90149-06061-00)	SCREW, SPEC'L SHAPE	4	
13	(811-81894-00-00)	WASHER, SPECIAL	4	
14	95380-06600-00	NUT	4	
15	(93210-61117-00)	O-RING	1	
16	(812-81970-41-00)	RECTIFIER ASSEMBLY	1	
17	98580-06012-00	SCREW, PAN HEAD	1	
18	92995-06100-00	WASHER, SPRING	1	
19	824-82115-00-00	WIRE, PLUS LEAD	1	
20	822-82116-00-00	WIRE, MINUS LEAD	1	
21	(822-82591-00-00)	BAND	1	
22	90465-06013-00	CLAMP	1	
23	(822-82136-00-00)	PLATE, BATT FITTING	1	
24	(90149-06024-00)	SCREW, SPEC'L SHAPE	2	
25	95380-06700-00	NUT	2	
26	95380-06600-00	NUT	2	
27	92995-06100-00	WASHER, SPRING	2	
28	(807-82122-01-00)	SEAT, BATTERY	1	

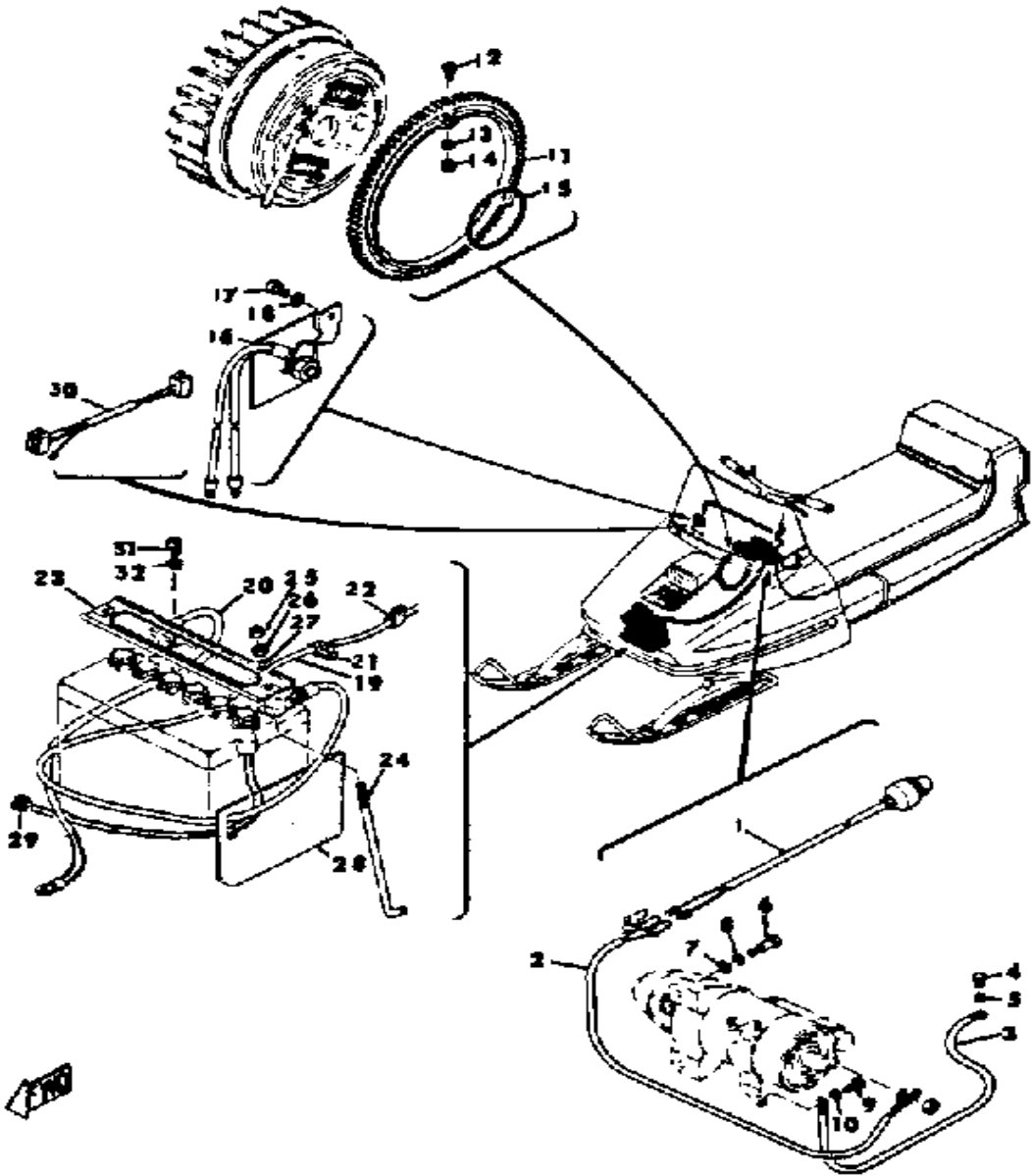


CONTINUED ON NEXT FRAME ►

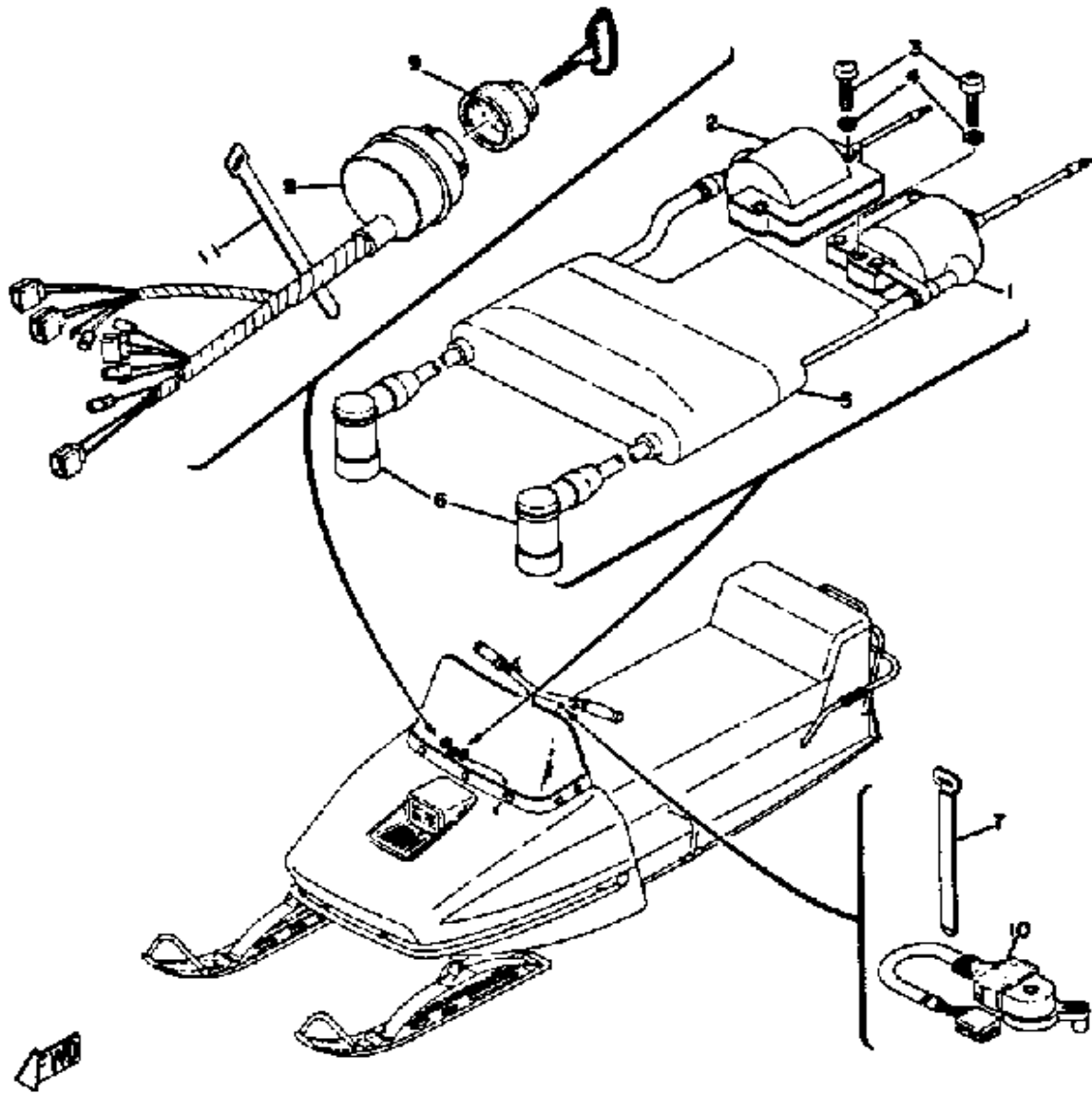
Property of www.SmallEngineDiscount.com - Not for Resale

ELECTRIC STARTER UNIT

Ref. No.	Part Number	Description	Qty	Remarks
28	807-82122-00-00	SEAT, BATTERY	1	
29	90480-12013-00	GROMMET	1	
30	(827-82531-00-00)	WIRE, LEAD	1	
31	98580-06010-00	SCREW, PAN HEAD (92503-06010)	1	
32	92995-06100-00	WASHER, SPRING	1	



Property of www.SmallEngineDiscount.com - Not for Resale



ELECTRICAL

Ref. No.	Part Number	Description	Qty	Remarks
1	(810-82310-40-00)	IGNITION COIL ASSEMBLY ...	1	
2	(810-82320-41-00)	IGNITION COIL ASSEMBLY ...	1	
3	98516-06020-00	SCREW, PAN HEAD	4	
4	92906-06100-00	WASHER, SPRING	4	
5	(810-82314-00-00)	COVER, IGNITN COIL	1	
6	56J-82370-00-00	PLUG CAP ASSEMBLY	2	
7	437-83936-01-00	BAND, SWITCH CORD	1	
8	(821-82508-20-00)	MAIN SWITCH ASSEMBLY ...	1	
9	806-82516-00-00	COLLAR, MAIN SWITCH	1	
10	822-82530-00-00	STOP SWITCH ASSEMBLY ...	1	
11	437-83936-11-00	BAND, SWITCH CORD	3	

Property of www.SmallEngineDiscount.com - Not for Resale