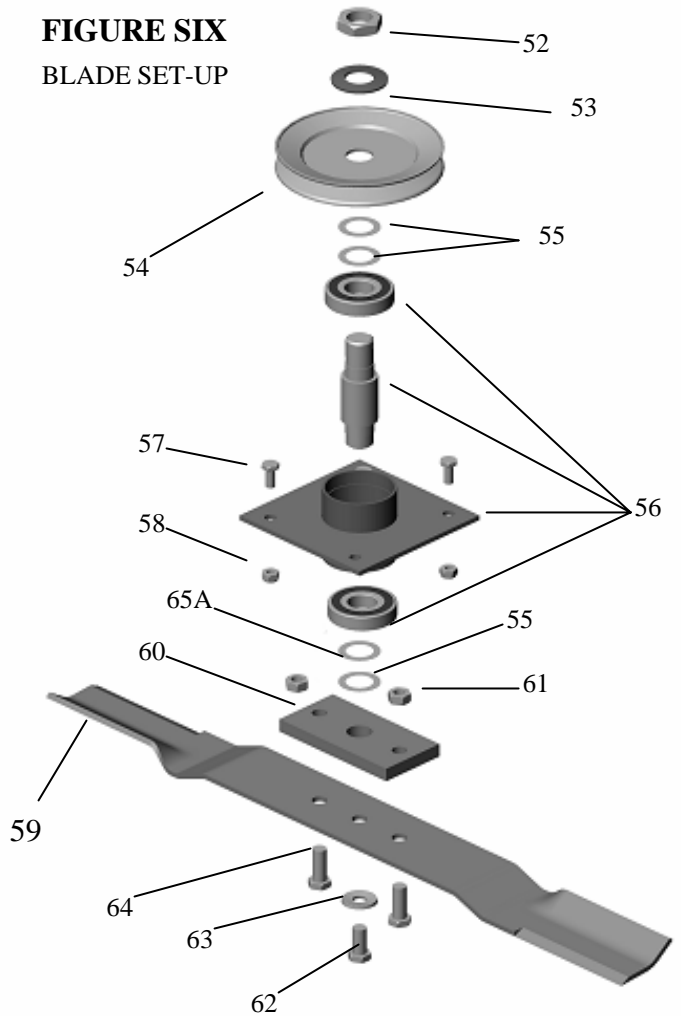


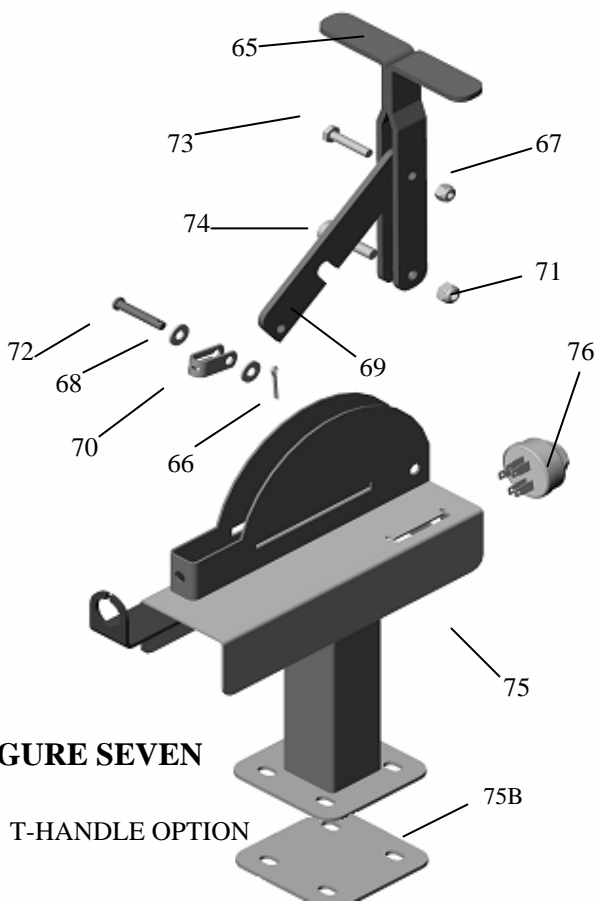
**FIGURE FIVE  
ENGINE SET-UP**

ITEM #	DESCRIPTION	PART #
40	ENGINE	NOT AVAILABLE
41	5/16 BOLT	NB253
42	5/16 NUT	NB170
43	TOGGLE BRACKET	4483Z
44	SAFETY TETHER	6736
45	TOGGLE SWITCH	685SP
46	UPPER ENG. SPACER	BB105S
47	1/4 X 1 KEY STOCK	9031
48	ENG. PULLEY	BB105
49	LOWER ENG. SPACER	BB105SL
50	BELLEVILLE WASHER	699
51	7/16 BOLT	NB452N
	OIL DRAIN VALVE & CAP	AS122/AS123
	MODULE & SCREW	MOD1/NB137

**FIGURE SIX  
BLADE SET-UP**



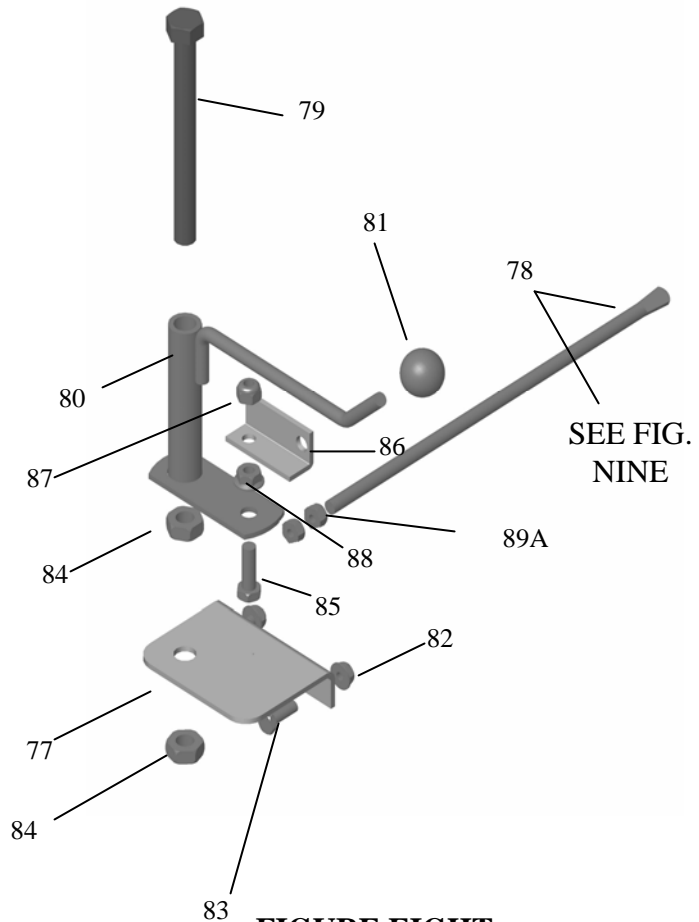
ITEM #	DESCRIPTION	PART #
52	3/4 NUT	NB175
53	UPPER BELLEVILLE	AS155
54	BLADE PULLEY	B4104
55	THIN WASHER	NB179
56	BLADE DRIVER	9018
	BEARING	B98
	4.25" SHAFT	9076
	BEARING HOUSING	B99ECTK
57	1/4 BOLT	NB250
58	1/4 NUT	NB180
59	22" BLADE	9005
	Two Blade Set	9036
60	BLADE MOUNT PLATE	9008
61	3/8 NUT	NB216
62	3/8 BOLT	NB238N
63	LOWER BELLEVILLE	NB607
64	3/8 BOLT	NB238
65A	WASHER	B98W



**FIGURE SEVEN**

T-HANDLE OPTION

ITEM #	DESCRIPTION	PART #
65	T-HANDLE LEVER	4463TK
66	COTTER PIN	NB597
67	1/4 NUT	NB180
68	WASHER	NB274
69	ENGAGE LINK	4461TK
70	CABLE CLEVIS	9023MOD
71	5/16 NUT	NB181
72	CLEVIS PIN	NB518
73	1/4 BOLT	NB560
74	5/16 TORX BOLT	NB591
75	CONSOLE WELDMENT	4602TK
76	KEY SWITCH (12 VOLT)	3623
	KEYS	KSK
	T-HANDLE ACCESSORY KIT	4498
	BLADE ENGAGE DECAL	OD10
	ON/OFF DECAL	OD99
	12 VOLT ON/OFF DECAL	OD28
75 B	CONSOLE MOUNT PLATE	4601TK
	5/16-18 BOLTS	NB138
	5/16-18 NUTS	NB181



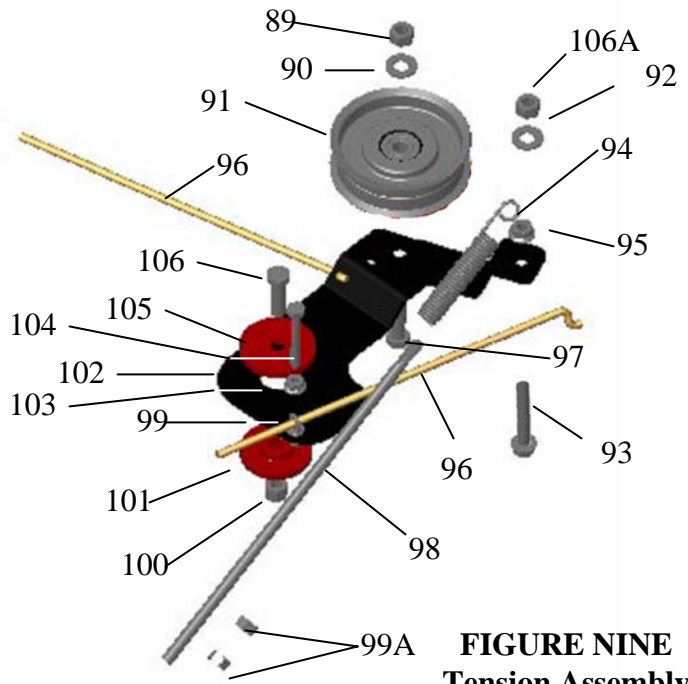
**FIGURE EIGHT**  
STANDARD ENGAGE

ITEM #	DESCRIPTION	PART #
77	ENGAGE STANDOFF	4547TK
78	5/16 Spade Bolt	NB260
79	1/2 BOLT	NB155
80	ENGAGE LEVER	4548TK
81	HANDLE KNOB	B19BLACK
82	1/4 NUT	NB524
83	1/4 BOLT	NB250
84	1/2 NUT	NB121
85	5/16 BOLT	NB501
86	ENGAGE PIVOT	4578TK
87	5/16 NUT	NB181
88	5/16 NUT	NB170
	ON/OFF DECAL	OD10
89A	5/16-18 Nut	NB210Z

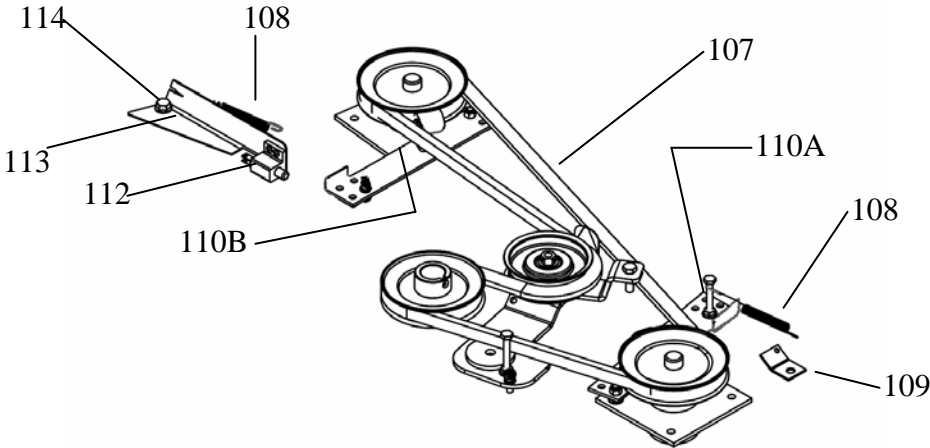
\* = USE PAINT CODE:  
TC=RED,G=GREEN;S=SLIVER,  
TK=BLACK



ITEM #	DESCRIPTION	PART #
89	3/8 NUT	NB280
90	WASHER	NB272
91	IDLER PULLEY	B527
92	WASHER	NB556
93	5/16 BOLT	NB254
94	IDLER SPRING	4422
95	5/16 NUT	NB170
96	BRAKE LINK	4532
97	3/8 BOLT	NB107
98	5/16 SPADE BOLT	NB260
99	EYE BOLT	V139EB
99A	5/16-18 NUT	NB210Z
100	3/8 NUT	NB182
101	IDLER BUSHING	6037
102	IDLER BRACKET	4530
103	1/4 NUT	NB524
104	1/4 BOLT	NB218
105	IDLER SPACER	6040
106	3/8 BOLT	NB618
106A	LOCK NUT	NB181



**FIGURE NINE  
Tension Assembly**



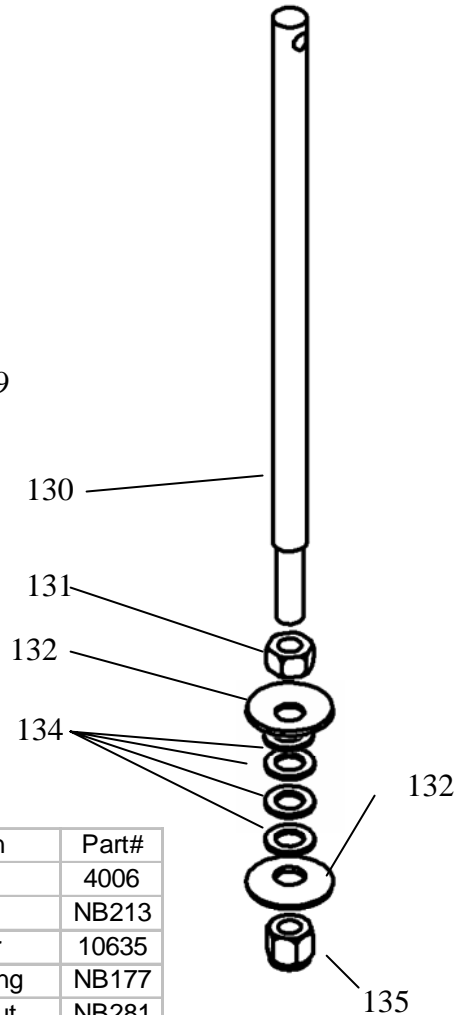
**FIGURE TEN**

**Belt / Brake Configuration**

ITEM #	DESCRIPTION	PART #
107	Belt 74"	4220
108	SPRING	T2SM
109	TENSION BRACKET	4593TK
110A	BRAKE ASSY (LEFT)	10591
110B	BRAKE ASSY (RIGHT)	10590
111	EYE BOLT	V139EB
112	NEUTRAL SWITCH	3695
	8-32 BOLT/NUT	NB 197/NB 201
113	SWITCH BRACKET	4301TK
114	5/16 BOLT/NUT	NB596/NB170

**Figure Twelve  
Height Adjust**

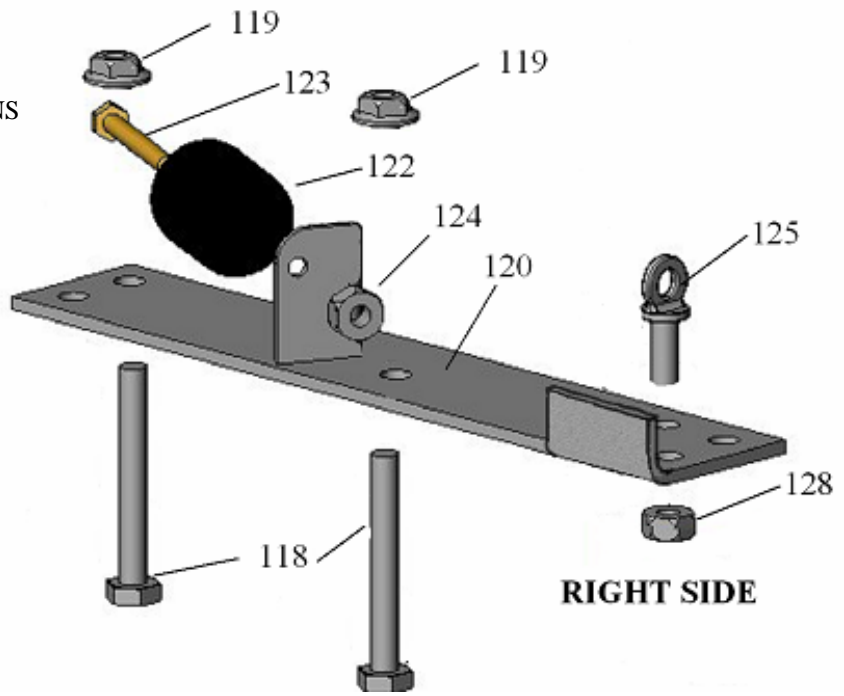
Item #	Description	Part#
130	Height Adj Rod	4006
131	1/2-13 Nut	NB213
132	BellVile Washer	10635
134	Machine Bushing	NB177
135	1/2-13 Nylok Nut	NB281



*Need Parts*

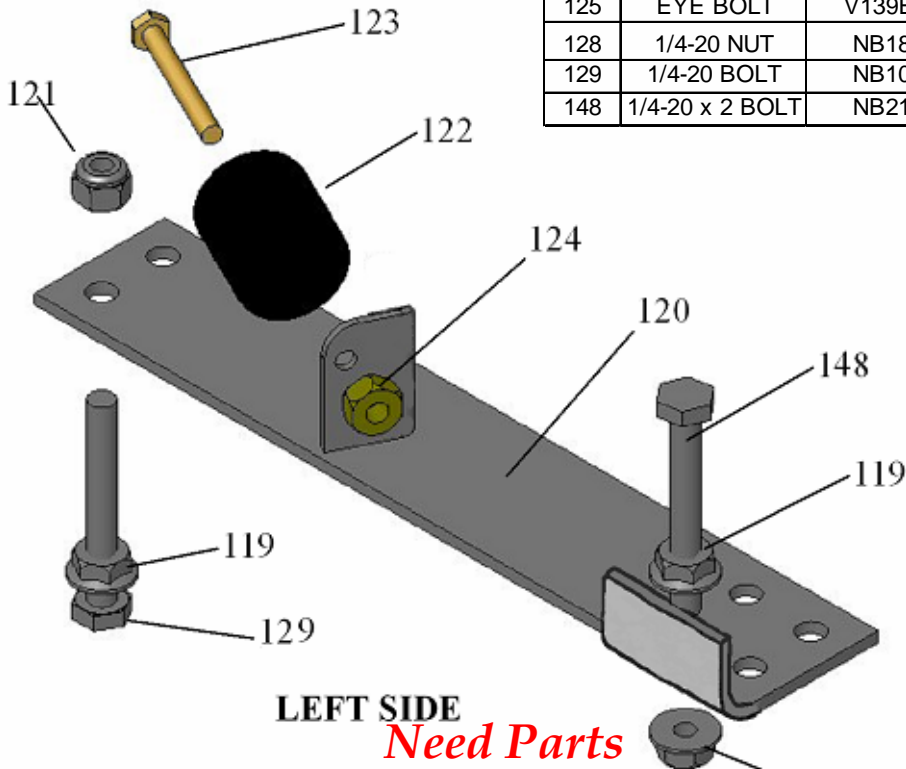
*www.SmallEngineDiscount.com*

**FIGURE ELEVEN**  
BRAKE ARM CONFIGURATIONS



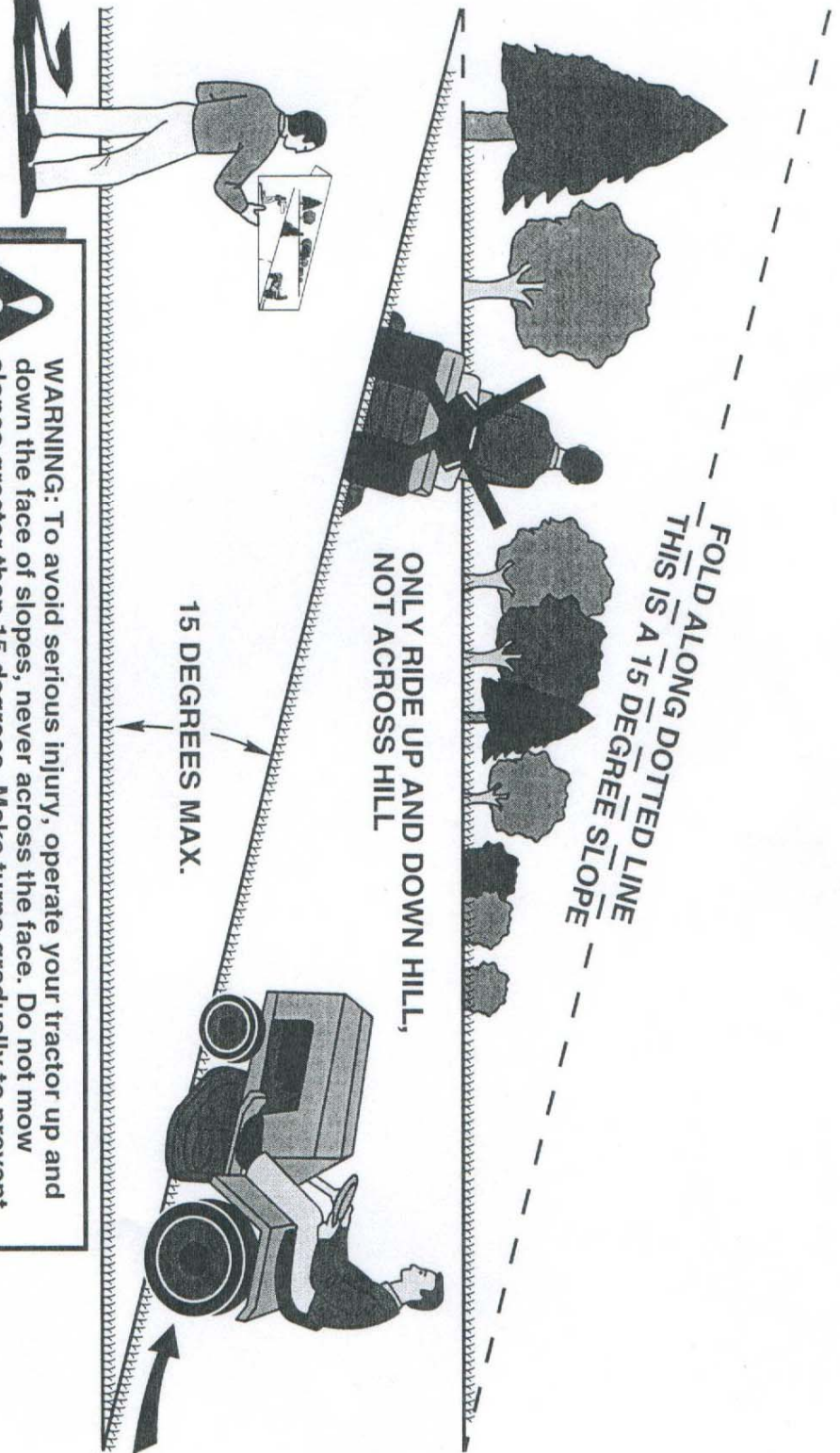
**RIGHT SIDE**

Item #	Description	Part #
118	1/4-20 BOLT	NB162
119	1/4-20 NUT	NB524
120	BRAKE ARM	10589
121	1/4-20 NYLOCK	NB180
122	BRAKE PAD	9039
123	10-24 BOLT	NB710
124	10-24 KEP NUT	NB172
125	EYE BOLT	V139EB
128	1/4-20 NUT	NB180
129	1/4-20 BOLT	NB102
148	1/4-20 x 2 BOLT	NB218



**LEFT SIDE**

*Need Parts*  
[www.SmallEngineDiscount.com](http://www.SmallEngineDiscount.com)



**WARNING:** To avoid serious injury, operate your tractor up and down the face of slopes, never across the face. Do not mow slopes greater than 15 degrees. Make turns gradually to prevent tipping or loss of control. Exercise extreme caution when changing direction on slopes.

1. Fold this page along dotted line indicated above.
2. Hold page before you so that its left edge is vertically parallel to a tree trunk or other upright structure.
3. Sight across the fold in the direction of hill slope you want to measure.
4. Compare the angle of the fold with the slope of the hill.



## OWNER'S MANUAL

## MODEL NO.

**T11544**

**T11044**

**T10544BSPB**

**T12544**

**T1144HSP**

## 44" FINISH CUT TRAILMOWER

### HOW TO ORDER REPAIR PARTS:

Each TrailMower has its own serial number. Each engine has its own serial number. The serial number for the TrailMower will be found on the right hand side of the drive belt housing. The serial number for the engine will be found on the top of the blower fan housing.

All TrailMower parts listed herein may be ordered directly from Swisher Mower & Machine Co. Inc., your nearest Swisher dealer, or from our website. [www.swisherinc.com](http://www.swisherinc.com)  
All engine parts may be ordered from the nearest dealer of the engine supplied with your mower.

WHEN ORDERING PARTS, PLEASE HAVE THE  
FOLLOWING INFORMATION AVAILABLE:

- \* PRODUCT - T-44 FINISH CUT TRAILMOWER
- \* SERIAL NUMBER - \_\_\_\_\_
- \* MODEL NUMBER - \_\_\_\_\_
- \* ENGINE MODEL NUMBER - \_\_\_\_\_  
TYPE - \_\_\_\_\_
- \* PART NUMBER
- \* PART DESCRIPTION

[www.swisherinc.com](http://www.swisherinc.com)  
TELEPHONE - 1-800-222-8183  
FAX - 1-660-747-8650

**SWISHER MOWER & MACHINE CO. INC.**  
1602 CORPORATE DRIVE  
WARRENSBURG, MO 64093

**SWISHER MOWER & MACHINE CO. INC.**

*Need Parts*

*[www.SmallEngineDiscount.com](http://www.SmallEngineDiscount.com)*