



YAMAHA

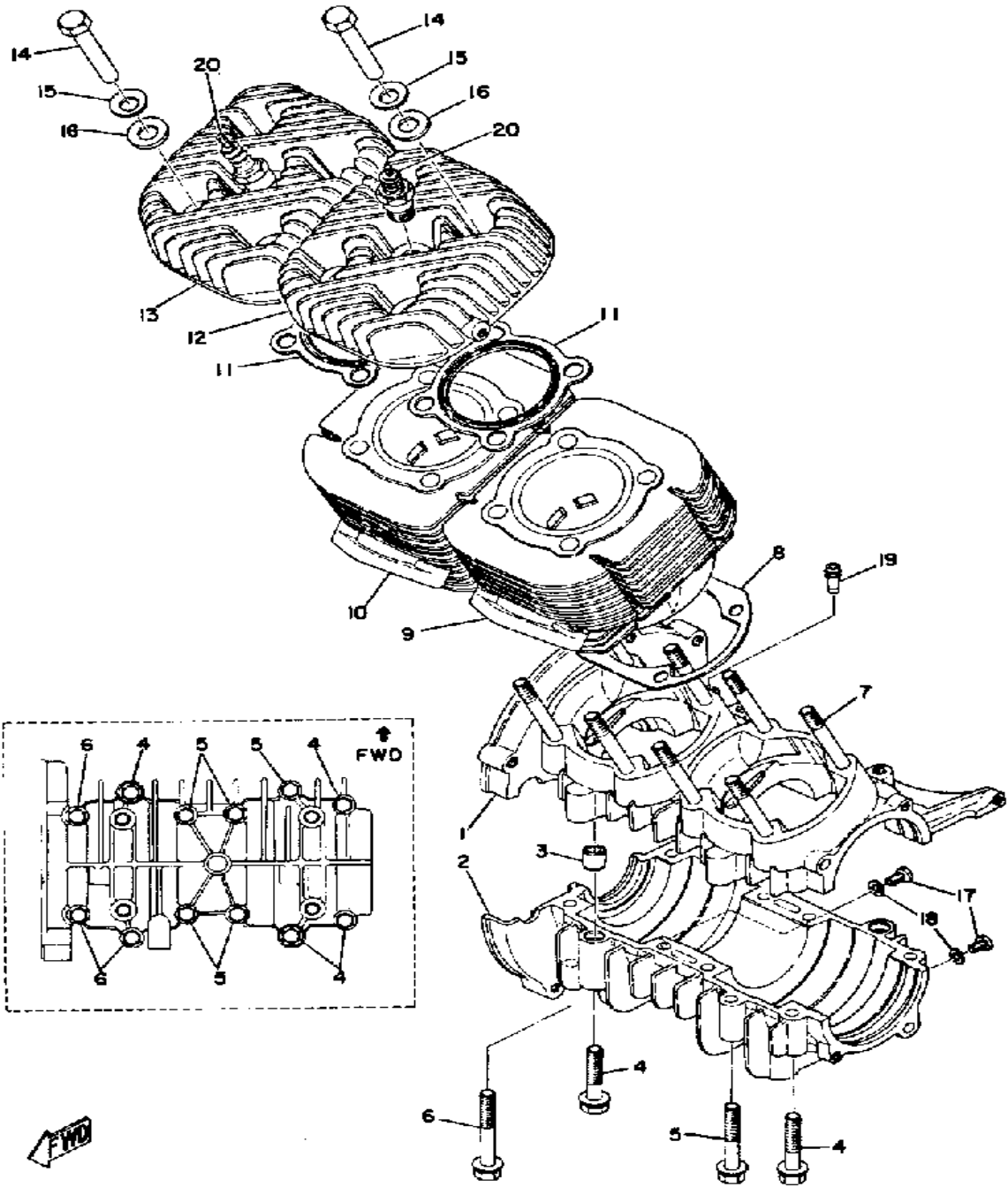
GENUINE

PARTS CATALOGUE

SNOWMOBILE

Property of www.SmallEngineDiscount.com - Not for Resale

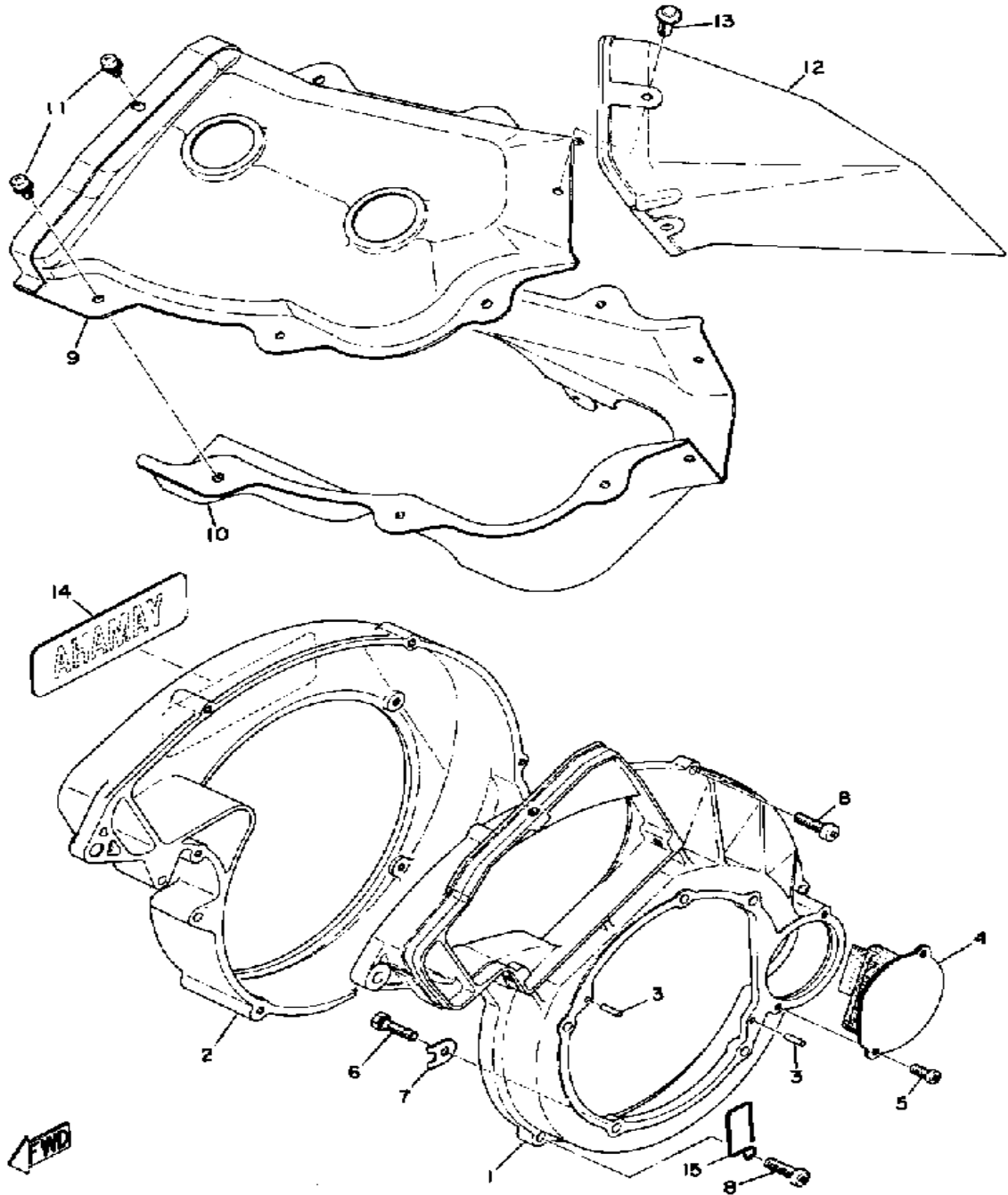
CRANKCASE - CYLINDER



Ref. No.	Part Number	Description	Qty	Remarks
3	99510-12016-00	PIN, DOWEL	2	
4	97313-08050-00	BOLT, HEXAGON (90101-08125)	4	
5	97013-08060-00	BOLT (663)	5	
6	97021-08070-00	BOLT	3	
7	90116-08064-00	BOLT, STUD	8	
8	857-11351-00-00	GASKET, CYLINDER	2	
9	(838-11311-00-00)	CYLINDER 1	1	
10	838-11400-00-00	CRANKSHAFT ASSEMBLY ...	1	
11	818-11181-00-00	GASKET, CYLINDER HEAD 1 .	2	
12	(838-11111-00-00)	HEAD, CYLINDER 1	1	
13	(838-11121-00-00)	HEAD, CYLINDER 2	1	
14	90179-08090-00	NUT, SPEC'L SHAPE	8	
15	90208-12015-00	WASHER, CONICAL SPRING ..	8	
16	92990-12200-00	WASHER, PLAIN	8	
17	98580-06010-00	SCREW, PAN HEAD (92503-06010)	2	
18	90430-06016-00	GASKET	2	
19	J38-11116-00-00	JOINT, BREATHER	1	
20	NGK-B7HS0-00-00	PLUG, SPARK (NGK B7HS) ...	2	
-1	838-15100-01-00	CRANKCASE ASSEMBLY	1	

Property of www.SmallEngineDiscount.com - Not for Resale

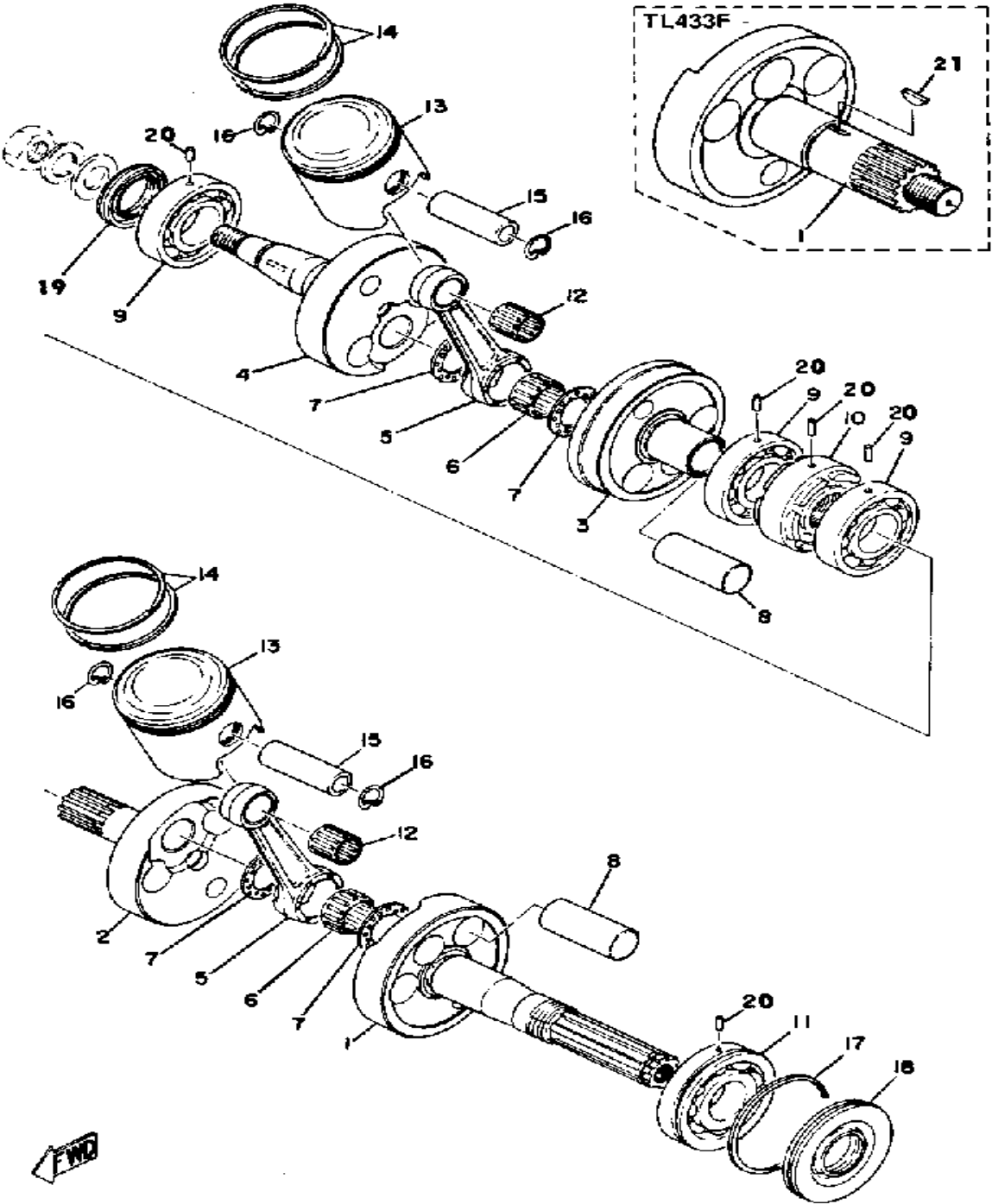
FAN CASE - AIR SHROUD



Ref. No.	Part Number	Description	Qty	Remarks
1	(838-12621-00-00)	CASE, FAN	1	
2	838-12622-00-00	CASE, FAN 2	1	
3	93604-12037-00	PIN, DOWEL	2	
4	(821-12633-00-00)	PLATE	1	
5	98580-05010-00	SCREW, PAN HEAD	2	
6	(807-12623-00-00)	BOLT	5	
7	(838-12624-00-00)	WASHER, LOCK 1	5	
8	98506-06025-00	SCREW, PAN HEAD	6	
9	8A1-12651-00-00	AIR SHROUD, CYLINDER 1 ...	1	
10	(838-12652-00-00)	AIR SHROUD, CYLINDER 2 ...	1	
11	98516-06012-00	SCREW, PAN HEAD	10	
12	(841-12661-00-00)	DUCT	1	
13	(838-12666-00-00)	FASTENER	3	
14	(838-12629-00-00)	EMBLEM	1	
15	(841-24369-00-00)	CLAMP, OIL PIPE	1	

Property of www.SmallEngineDiscount.com - Not for Resale

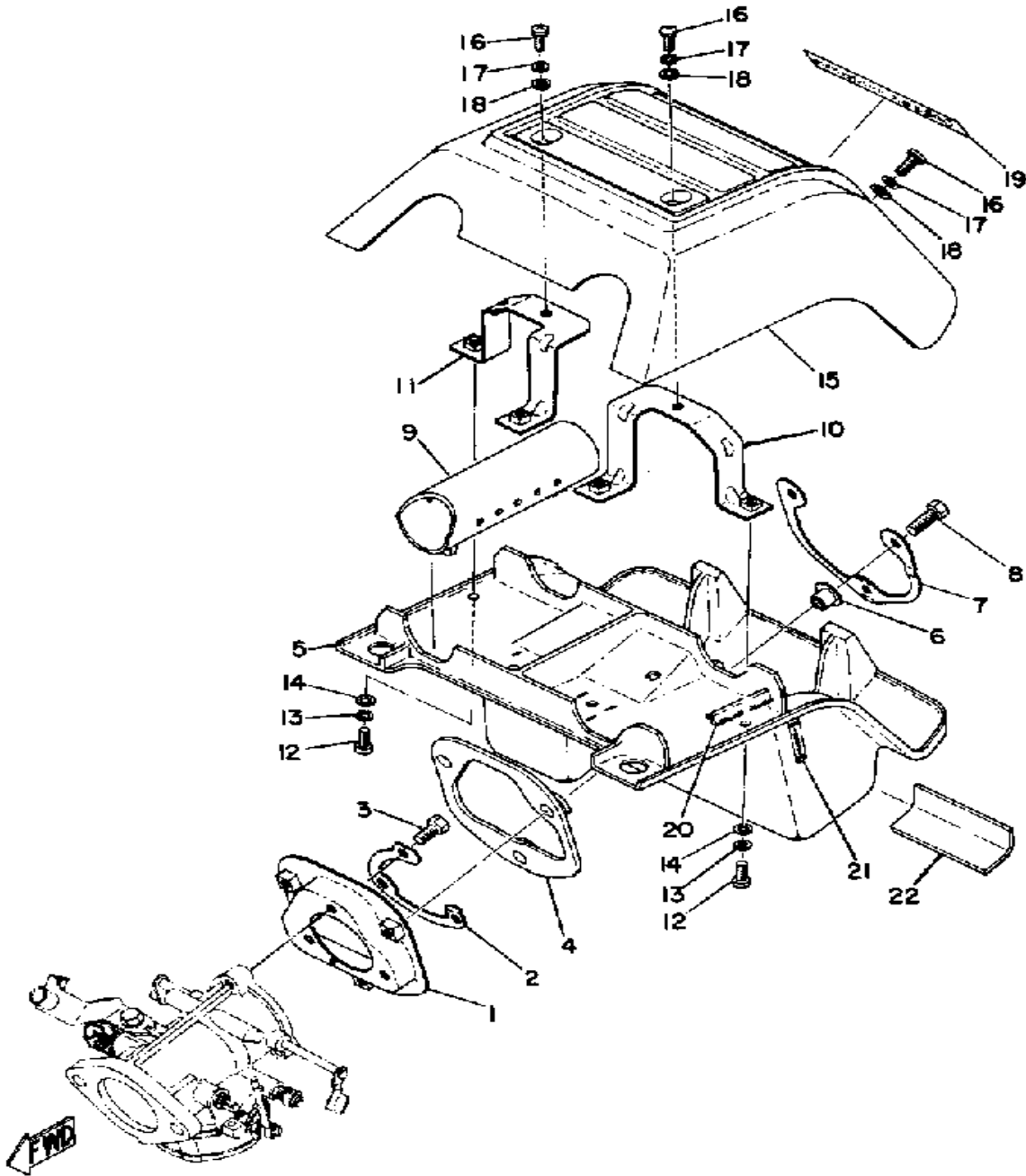
CRANK - PISTON



Ref. No.	Part Number	Description	Qty	Remarks
1	(868-11412-00-00)	CRANK 1	1	
2	(821-11422-01-00)	CRANK 2	1	
3	(821-11432-01-00)	CRANK 3	1	
4	(821-11422-01-00)	CRANK 2	1	
5	821-11143-20-10	. UNAVAILABLE IN PRICE BOOK	2	
6	93310-42497-00	. BEARING, CYLINDER.# 0 ...	2	
7	90209-24073-00	. WASHER	4	
8	857-11681-00-00	. PIN, CRANK 1	2	
9	93306-20633-00	. BEARING	3	
10	811-11515-00-00	. SEAL, LABYRINTH 1	1	
11	93306-30603-00	. BEARING	1	
12	93310-218A6-00	BEARING	2	
13	819-11631-01-96	PISTON STD	2	
	819-11635-01-00	PISTON 1 O/S 0.25 (819-11635-00)	2	ALTERNATE PARTS
	819-11636-01-00	PISTON 2 O/S 0.50 (819-11636-00)	2	ALTERNATE PARTS
14	(818-11611-10-00)	RING, PISTON 1ST	4	ALTRNATE PARTS
	(818-11611-20-00)	RING, PISTON 2ND	4	ALTERNATE PARTS
	818-11601-00-00	PISTON RINGSET STD	4	
15	818-11633-00-00	PIN, PISTON	2	
16	93450-20026-00	CIRCLIP	4	
17	93440-78011-00	CIRCLIP, OUTER	1	
18	93103-32054-00	OIL SEAL, SW-TYPE	1	
19	93103-32156-00	OIL SEAL	1	
20	93604-12037-00	PIN, DOWEL	5	
21	90280-05014-00	KEY, WOODRUFF	1	
-1	(868-11400-00-00)	CRANKSHAFT ASSEMBLY ...	1	

Property of www.SmallEngineDiscount.com - Not for Resale

INTAKE

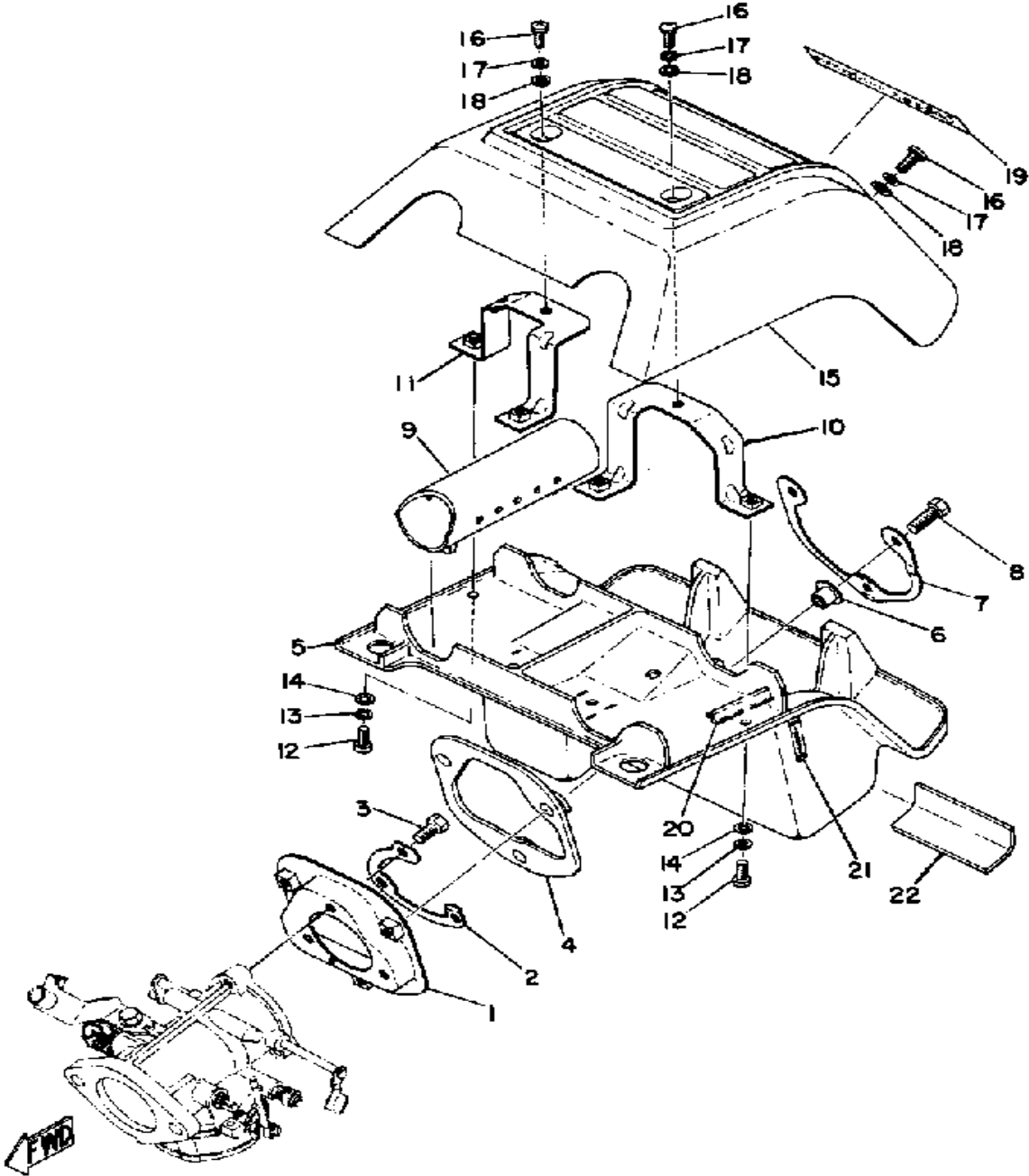


Ref. No.	Part Number	Description	Qty	Remarks
1	811-13556-00-00	GASKET, MANIFOLD	2	
2	(8F1-13555-00-00)	MANIFOLD, INTAKE	2	
3	811-13563-00-00	GASKET	2	
4	826-13175-00-00	SHAFT, WORM	1	
5	93210-07540-00	O-RING	2	
6	824-13552-00-00	NOZZLE	2	
7	91316-08030-00	BOLT, SOCKET HEAD	2	
8	92990-08100-00	WASHER	2	
	92990-08200-00	WASHER, PLAIN	2	
	97313-08035-00	BOLT, HEXAGON	2	
9	92990-08100-00	WASHER	4	
10	92990-08200-00	WASHER, PLAIN	4	
11	(90116-08051-00)	BOLT, STUD	2	
12	810-13566-00-00	GASKET	2	
13	(812-13555-70-00)	MANIFOLD, INTAKE	1	
14	(810-13576-00-00)	SPACER	2	
15	95303-08700-00	NUT	3	
16	92990-08100-00	WASHER	3	
17	(841-14477-00-00)	PLATE	1	
19	(841-14431-00-00)	SILENCER, INTAKE 1	1	
20	97011-06016-00	BOLT	3	
21	841-14453-00-00	JOINT, AIR CLNR 1	2	
22	90506-06082-00	SPRING, TENSION	4	
23	(841-14441-02-00)	SILENCER, INTAKE 2	1	
24	95316-06600-00	NUT	2	
25	92906-06100-00	WASHER, SPRING	2	
26	92906-06200-00	WASHER	2	
27	822-41222-00-00	CLAMP, THROTTLE	1	
18-1	98580-06012-00	SCREW, PAN HEAD	3	

CONTINUED ON NEXT FRAME ➤

Property of www.SmallEngineDiscount.com - Not for Resale

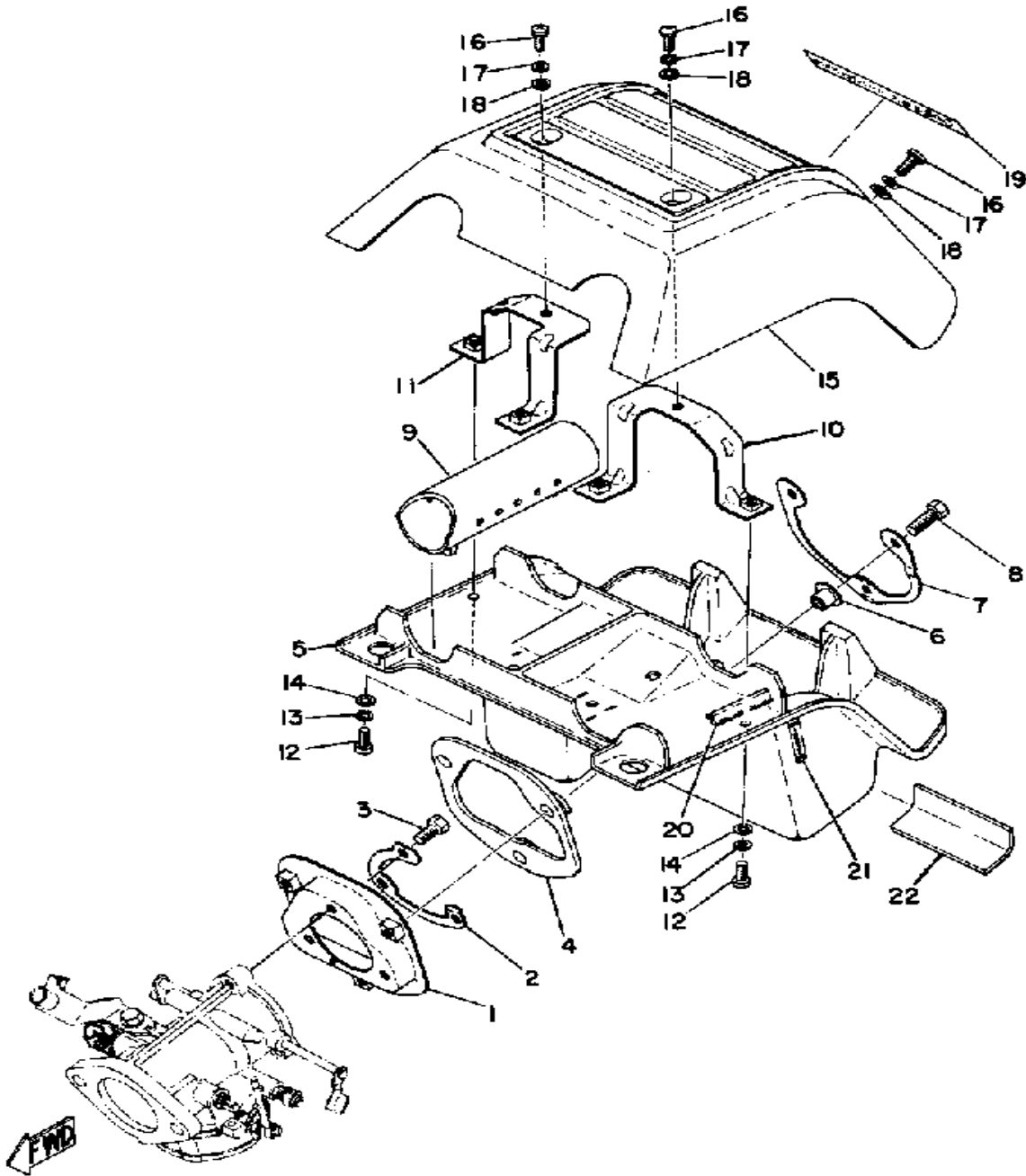
INTAKE



Ref. No.	Part Number	Description	Qty	Remarks
18-2	92995-06100-00	WASHER, SPRING	3	

Property of www.SmallEngineDiscount.com - Not for Resale

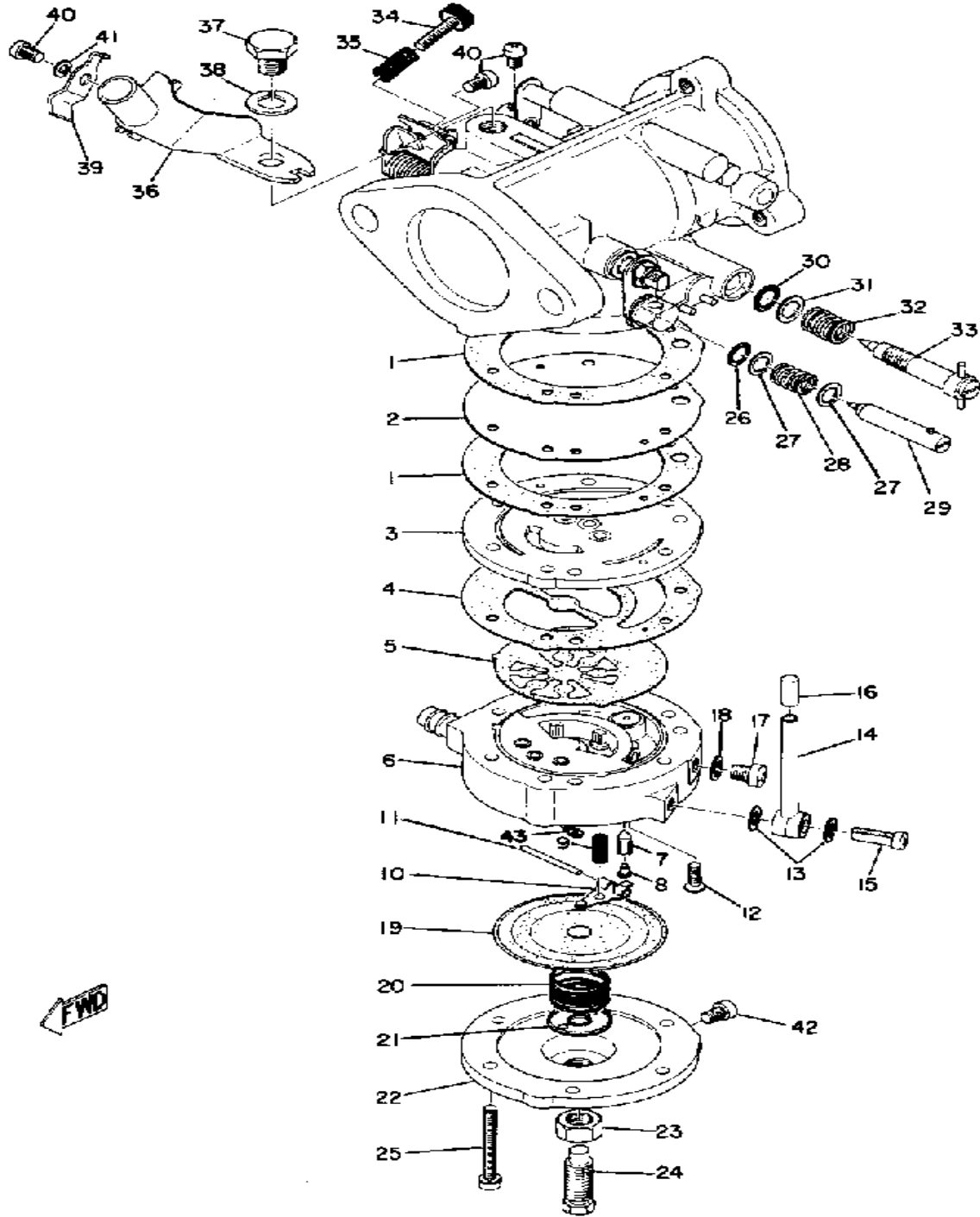
INTAKE



Ref. No.	Part Number	Description	Qty	Remarks
1	(874-14477-00-00)	PLATE	1	
2	865-14475-01-00	WASHER	1	
3	97013-06012-00	BOLT	3	
4	(865-14492-01-00)	DAMPER	1	
5	(865-14431-01-00)	SILENCER, INTAKE 1	1	
6	90387-06024-00	COLLAR	3	
7	(866-14475-01-00)	WASHER	1	
8	97023-06020-00	BOLT (3XF)	3	
9	(865-14431-01-00)	SILENCER, INTAKE 1	2	
10	(865-14498-01-00)	STAY 1	1	
11	(866-14498-01-00)	STAY 1	1	
12	98580-05012-00	SCREW, PAN HEAD	4	
13	92990-05100-00	WASHER, SPRING	4	
14	92906-05200-00	WASHER, PLAIN	4	
15	(865-14441-00-00)	SILENCER, INTAKE 2	1	
16	98906-05012-00	SCREW, BIND	4	
17	92906-05100-00	WASHER, SPRING	4	
18	92906-05200-00	WASHER, PLAIN	4	
19	(874-77351-00-00)	EMBLEM 1	1	
20	(865-14425-00-00)	DAMPER 1	2	
21	(847-77455-00-00)	INDICATOR, CHOKE	1	
22	865-14458-00-00	GUIDE, ELEMENT	1	

Property of www.SmallEngineDiscount.com - Not for Resale

CARBURETOR

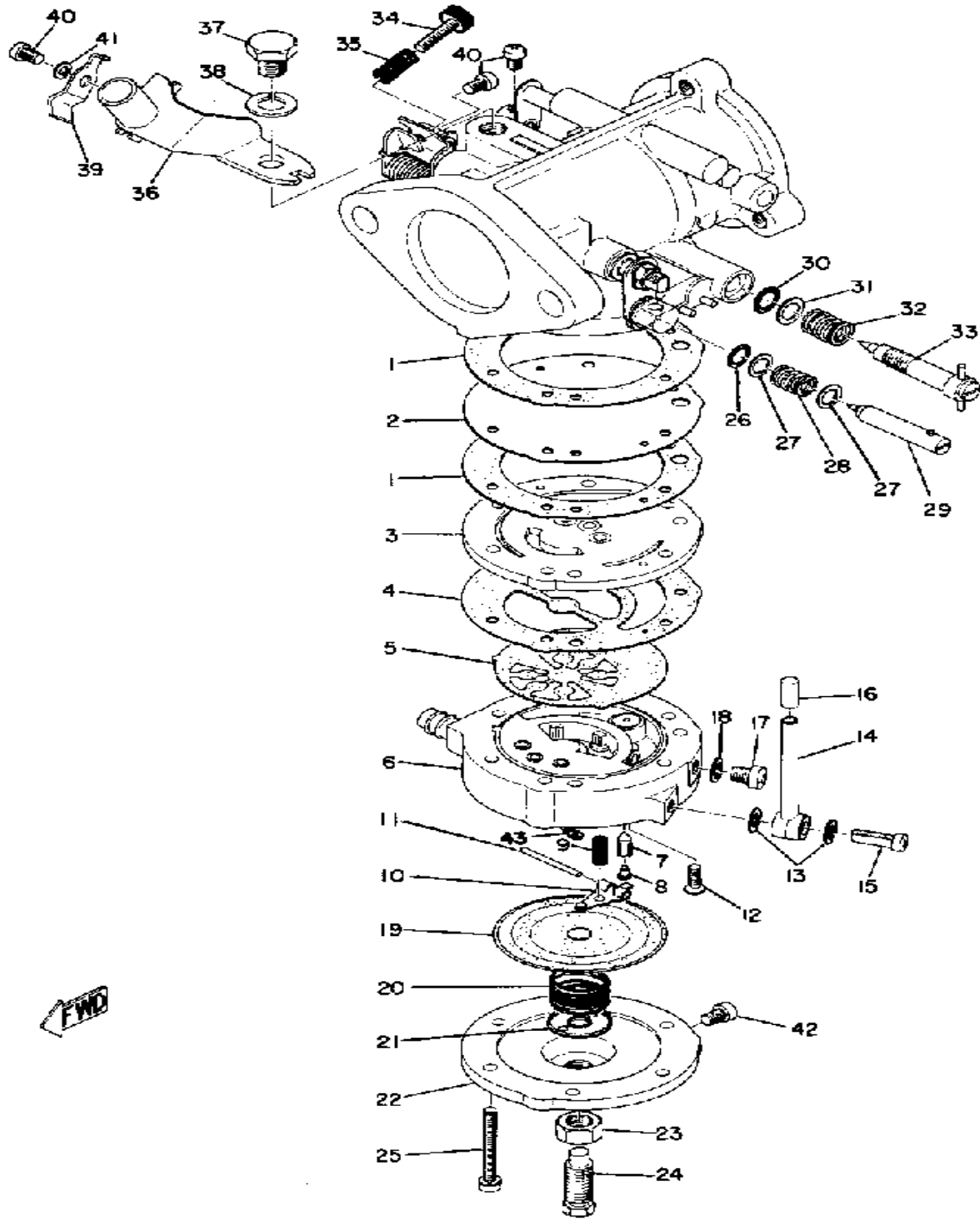


Ref. No.	Part Number	Description	Qty	Remarks
1	(865-14536-00-00)	GASKET	2	
2	865-14541-00-00	. DIAPHRAGM, PUMP	1	
3	(865-14542-01-00)	BODY, PUMP 1	1	
4	865-14553-01-00	. GASKET	1	
5	806-14552-01-00	. VALVE, CHECK	1	
6	(874-14543-00-00)	BODY, PUMP 2	1	
7	838-14546-00-00	. VALVE, NEEDLE	1	
8	676-14186-00-00	. PIN, FLOAT	1	
9	810-14556-00-00	SPRING	1	
10	(810-14547-00-00)	ARM, FLOAT	1	
11	(806-14548-00-00)	PIN, FLOAT ARM	1	
12	98702-03008-00	. SCREW, FLAT HEAD	1	
13	806-14559-00-00	. WASHER	2	
14	810-14197-02-00	. PIPE, AIRVENT	1	
15	8A1-14592-00-00	. SCREW	1	
16	810-24462-01-00	. CAP, BLIND	1	
17	(806-14567-01-00)	SCREW	1	
18	810-14597-00-00	. WASHER	1	
19	810-14545-00-00	. DIAPHRAGM	1	
20	(810-14555-00-00)	SPRING	1	
21	(810-14136-00-00)	SEAT, SPRING	1	
22	(810-14544-00-00)	BODY, PUMP 3	1	
23	95303-08700-00	. NUT	1	
24	824-14565-00-00	. SCREW, STOP	1	
25	(824-14567-00-00)	SCREW	6	
26	824-14563-00-00	. O-RING	1	
27	838-14596-00-00	. WASHER	2	
28	(824-14531-00-00)	SPRING, AJST SCREW	1	
29	(838-14522-00-00)	SCREW, ADJUST	1	

CONTINUED ON NEXT FRAME ➤

Property of www.SmallEngineDiscount.com - Not for Resale

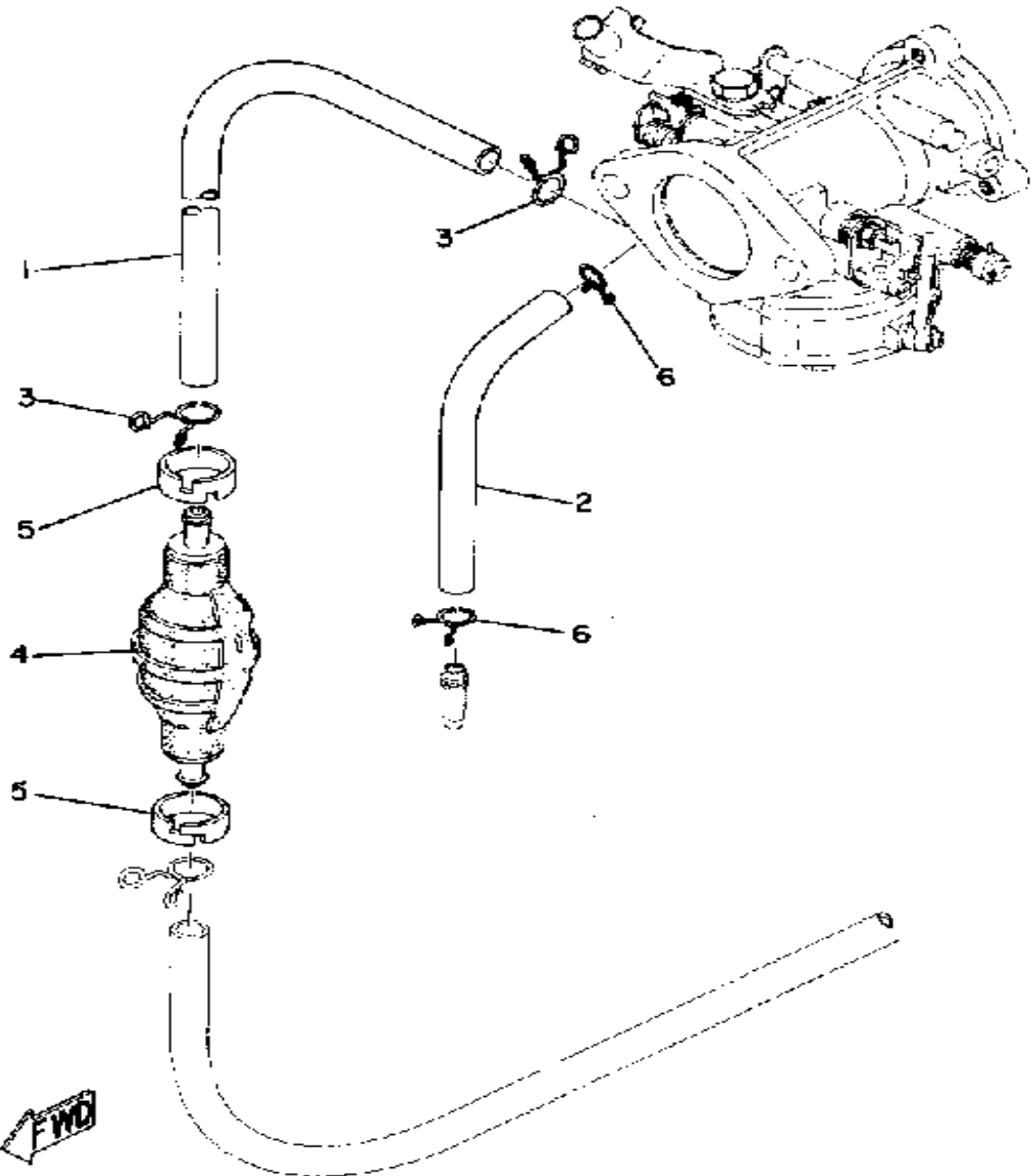
CARBURETOR



Ref. No.	Part Number	Description	Qty	Remarks
30	824-14564-00-00	. O-RING	1	
31	838-14597-00-00	. WASHER	1	
32	(824-14533-00-00)	SPRING, AJST SCREW	1	
33	838-14521-00-00	. SCREW, ADJUST	1	
34	(806-14523-00-00)	SCREW, STOP	1	
35	90501-12229-00	. SPRING, COMPRESSION	1	
36	(824-14571-00-00)	BRACKET, THROTTLE	1	
37	97313-08012-00	. BOLT	1	
38	92990-08100-00	. WASHER	1	
39	(826-14527-00-00)	PLATE	1	
40	98511-04006-00	. SCREW, PAN HEAD (98501-04005)	3	
41	92901-04100-00	. WASHER, SPRING	1	
	92990-08100-00	. WASHER	1	
42	98511-04006-00	. SCREW, PAN HEAD (98501-04005)	1	
43	(865-14948-19-00)	JET	1	
-1	(874-14501-00-00)	CARBURETOR ASSEMBLY 1	1	

Property of www.SmallEngineDiscount.com - Not for Resale

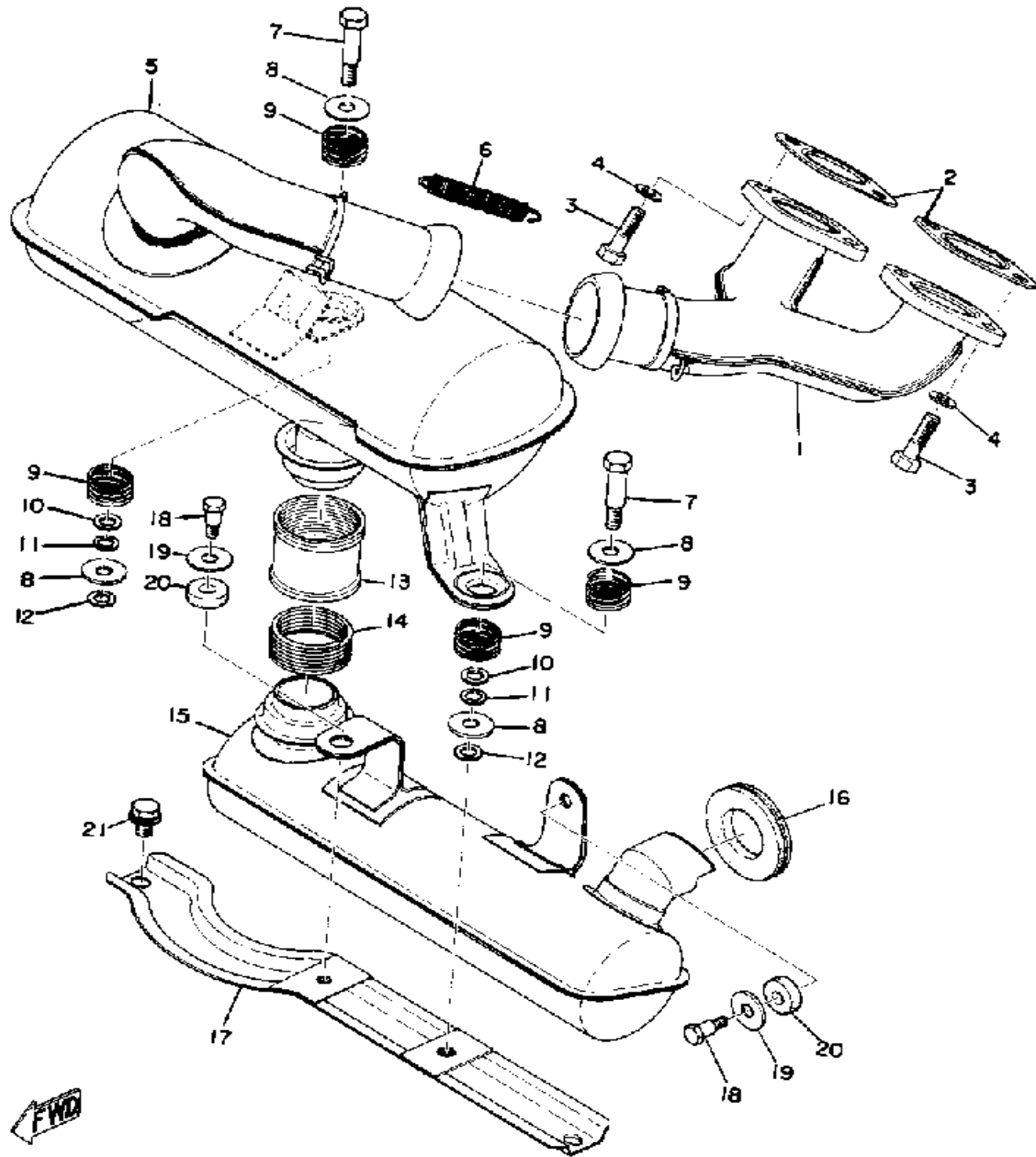
PIPING



Ref. No.	Part Number	Description	Qty	Remarks
1	(90446-11030-00)	HOSE	1	
2	90445-10133-00	HOSE	1	
3	90467-11009-00	CLIP	2	
4	810-24360-00-00	PRIMER PUMP ASSEMBLY ...	1	
5	(601-24353-00-00)	BAND	2	
6	90467-09006-00	CLIP	2	

Property of www.SmallEngineDiscount.com - Not for Resale

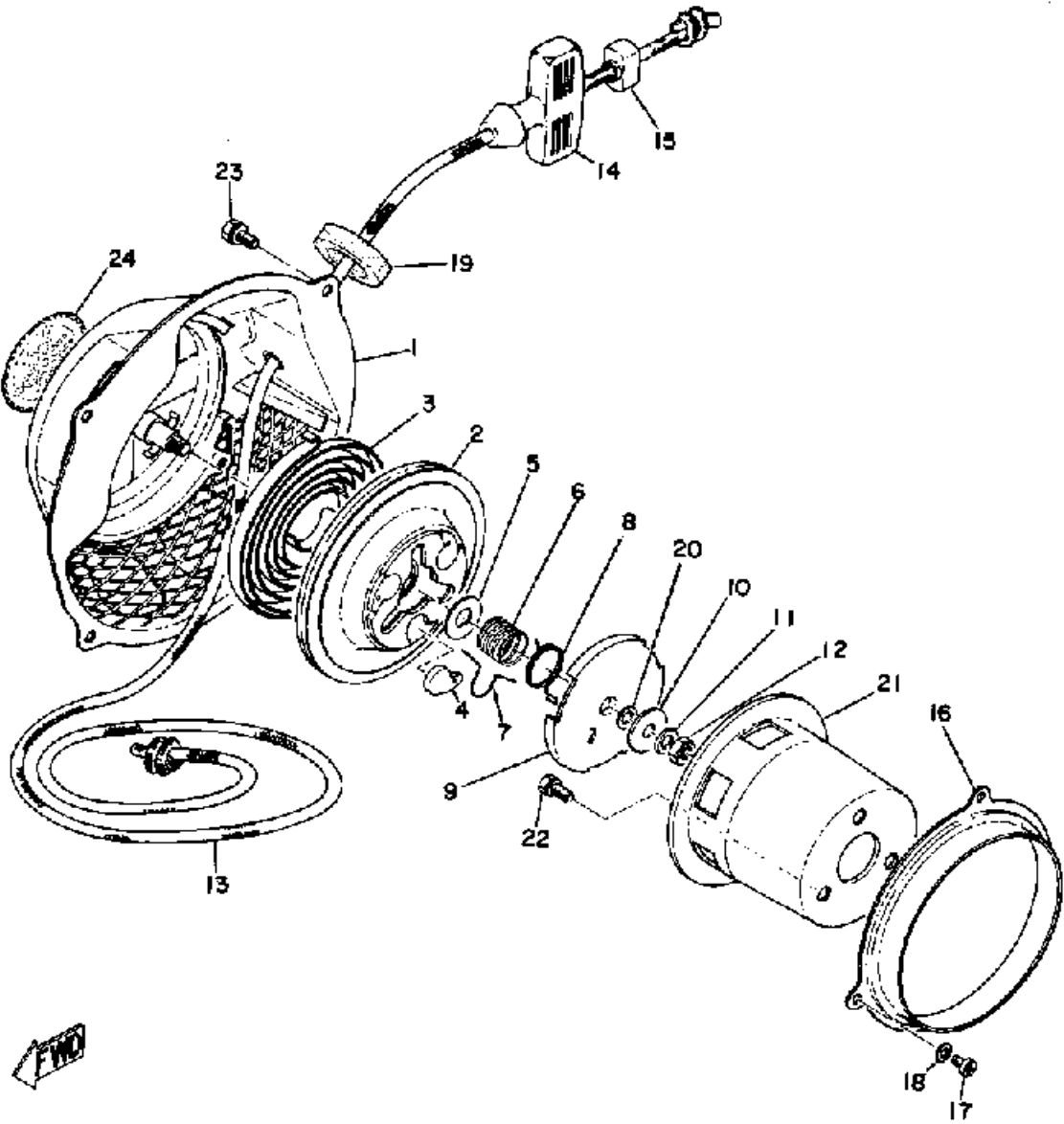
EXHAUST



Ref. No.	Part Number	Description	Qty	Remarks
1	(868-14610-00-00)	EXHAUST PIPE ASSEMBLY L	1	
2	821-14613-01-00	GASKET, EXHAUST PIPE	2	
3	806-14651-00-00	BOLT	4	
4	92990-08100-00	WASHER	4	
5	(874-14710-00-00)	MUFFLER ASSEMBLY L	1	
6	821-14773-00-00	SPRING, MUFFLER	2	
7	90109-06023-00	BOLT	3	
8	90201-10437-00	WASHER, PLATE	4	
9	853-14773-02-00	SPRING, MUFFLER	4	
10	(90560-08065-00)	SPACER	2	
11	92990-08100-00	WASHER	2	
12	(90201-07080-00)	WASHER, PLATE	2	
13	841-14714-00-00	GASKET, MUFFLER	1	
14	(90504-30004-00)	SPRING, COMPRESSION	1	
15	841-14720-01-00	MUFFLER ASSEMBLY R	1	
16	(874-14718-01-00)	PROTECTOR, MUFF 1	1	
17	(841-14771-02-00)	STAY, MUFFLER 1	1	
18	90109-06018-00	BOLT	2	
19	90201-085E6-00	WASHER PLATE	4	
20	(841-14747-01-00)	DAMPER, MUFFLER	3	
	(841-14757-00-00)	DAMPER, MUFFLER 2	3	
21	92990-08100-00	WASHER	2	
	92990-08200-00	WASHER, PLAIN	2	
	97313-08016-00	BOLT, HEXAGON	2	

Property of www.SmallEngineDiscount.com - Not for Resale

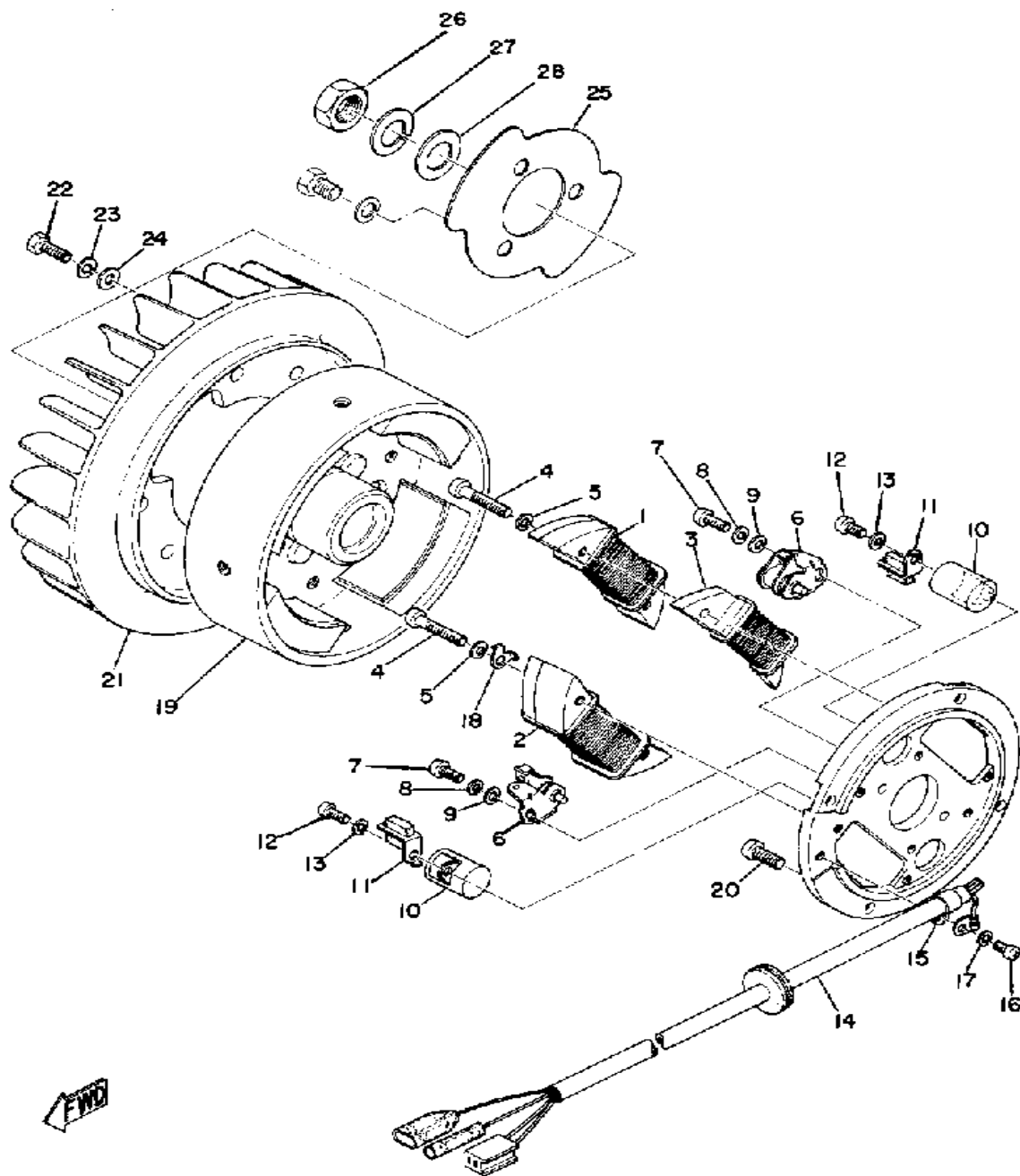
STARTER



Ref. No.	Part Number	Description	Qty	Remarks
1	(821-15711-00-00)	CASE, STARTER	1	
2	811-15714-00-00	. DRUM, SHEAVE	1	
3	8Y0-15713-00-00	. SPRING, STARTER	1	
4	616-15741-01-00	. PAWL, DRIVE	3	
5	(802-15726-00-00)	WASHER, FLAT	1	
6	626-15715-01-00	. SPRING, DRIVE PLATE (807-15715-00)	1	
7	811-15784-00-00	. SPRING, RETURN	3	
8	811-15734-00-00	. SPRING, RETURN	1	
9	811-15716-00-00	. PLATE, DRIVE	1	
10	807-15726-01-00	. WASHER, FLAT	1	
11	92990-08100-00	. WASHER	1	
12	95303-08700-00	. NUT	1	
13	(807-15751-00-00)	ROPE, STARTER	1	
14	807-15755-00-00	. HANDLE, STARTER	1	
15	619-15746-00-00	. UNAVAILABLE IN PRICE BOOK	1	
16	(811-15782-00-00)	COVER, SHEAVE	1	
17	98580-05010-00	. SCREW, PAN HEAD	3	
18	92990-05100-00	. WASHER, SPRING	3	
19	(811-15775-00-00)	KNOB, STOPPER RING	1	
20	(811-15722-00-00)	SHIM	1	
21	(811-15723-00-00)	PULLEY, STARTER	1	
22	92990-08100-00	WASHER	3	
	97301-08081-00	UNAVAILABLE IN PRICE BOOK (97301-08015)	3	
23	97016-06016-00	BOLT	4	
24	(838-15791-00-00)	EMBLEM	1	
-1	(821-15710-00-00)	STARTER ASSEMBLY	1	
23-1	92906-06100-00	WASHER, SPRING	4	

Property of www.SmallEngineDiscount.com - Not for Resale

FLYWHEEL MAGNETO

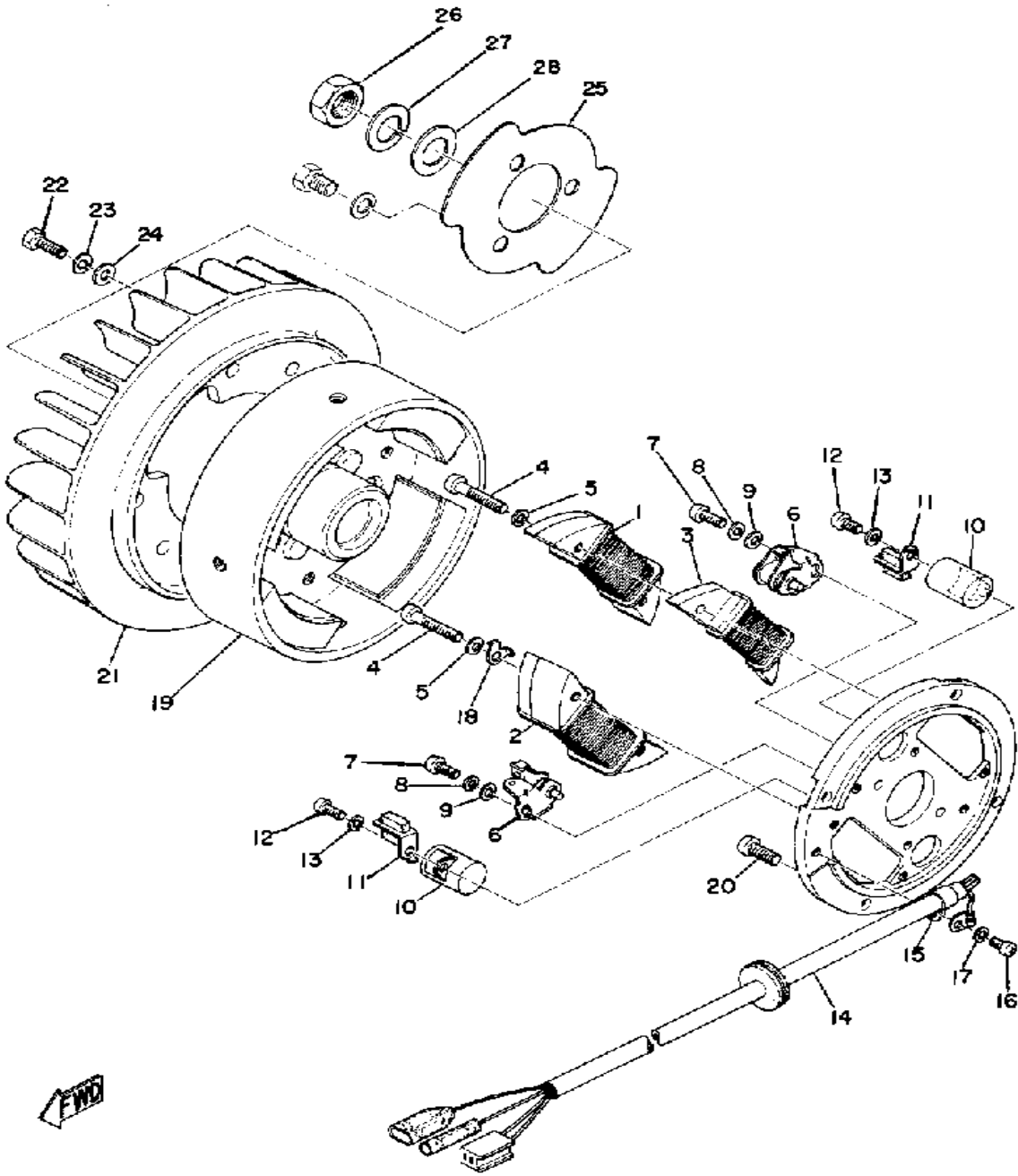


Ref. No.	Part Number	Description	Qty	Remarks
1	8A0-81312-20-00	. COIL, SOURCE	1	
2	(838-81313-20-00)	COIL, LIGHTING 1	1	
3	838-81314-00-00	. UNAVAILABLE IN PRICE BOOK	1	
4	802-81345-20-00	. SCREW, PAN HEAD	4	
5	92990-05100-00	. WASHER, SPRING	4	
6	806-81321-20-00	. CONTACT BRKR ASSEMBLY	2	
7	110-81346-21-00	. SCREW, PAN HEAD	2	
8	92901-04100-00	. WASHER, SPRING	2	
9	92990-04200-00	. WASHER, PLAIN	2	
10	802-81325-90-00	. CONDENSER 1	2	
11	116-81331-20-00	. LUBRICATOR	2	
12	110-81346-21-00	. SCREW, PAN HEAD	2	
13	92901-04100-00	. WASHER, SPRING	2	
14	(838-81315-21-00)	LEAD WIRE ASSEMBLY	1	
15	104-81328-20-00	. CLAMP	1	
16	98580-04008-00	. SCREW, PAN HEAD	1	
17	92901-04100-00	. WASHER, SPRING	1	
18	(812-81332-20-00)	PLATE, TIMING	1	
19	(838-81350-20-00)	ROTOR ASSEMBLY	1	
20	98503-06014-00	SCREW, PAN HEAD (92502-06016)	4	
21	838-12611-00-00	FAN	1	
22	90101-06127-00	BOLT	6	
23	92995-06100-00	WASHER, SPRING	6	
24	90201-06M08-00	WASHER, PLATE	6	
25	(812-81362-00-00)	COVER, HOLE	1	
26	90170-16182-00	NUT	1	
27	92901-16100-00	WASHER, SPRING	1	

CONTINUED ON NEXT FRAME ►

Property of www.SmallEngineDiscount.com - Not for Resale

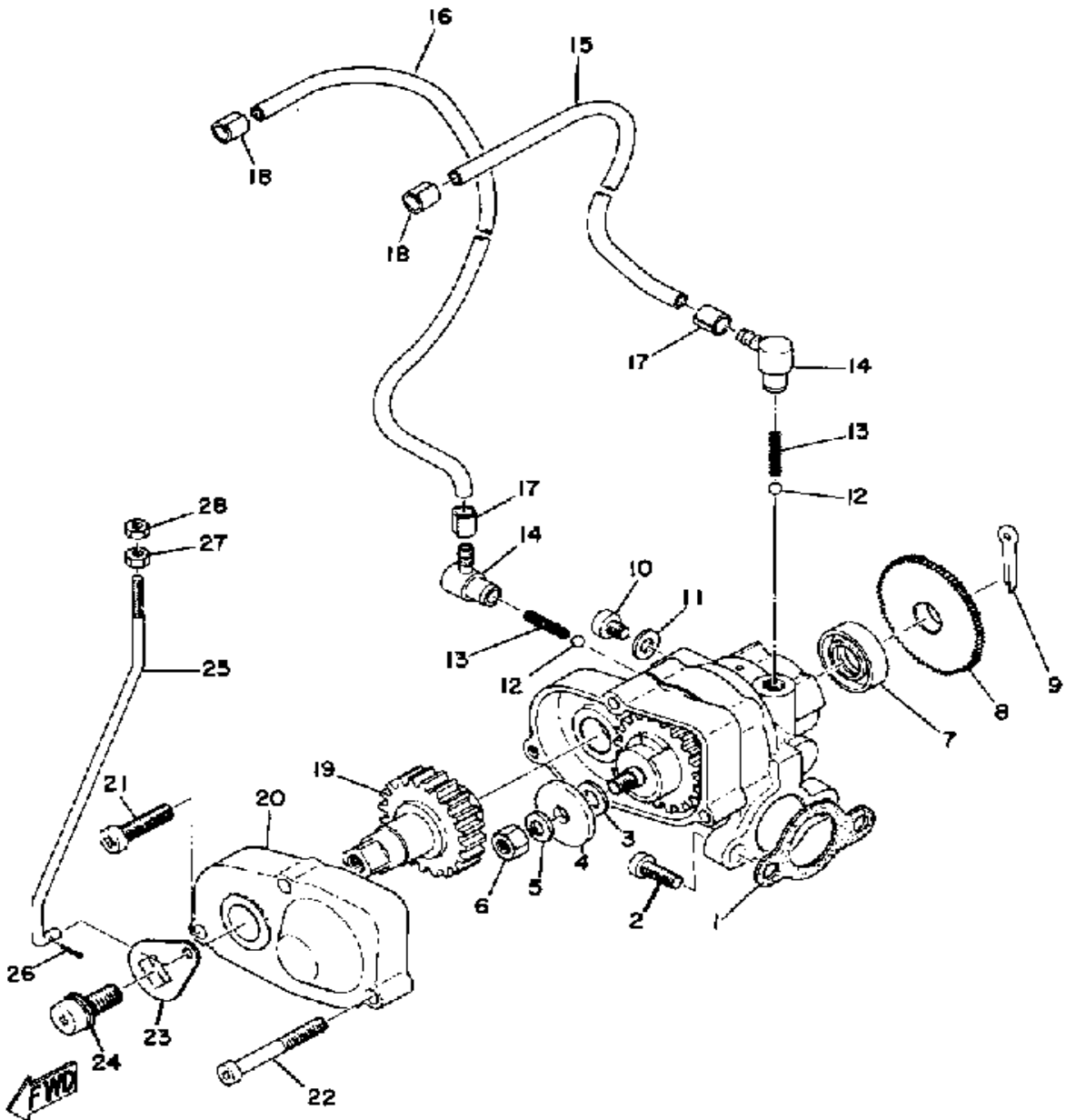
FLYWHEEL MAGNETO



Ref. No.	Part Number	Description	Qty	Remarks
28	(92901-16247-00)	WASHER	1	
-1	(861-81300-20-00)	FLYWHL MAGNETO ASSEMBLY	1	

Property of www.SmallEngineDiscount.com - Not for Resale

OIL PUMP

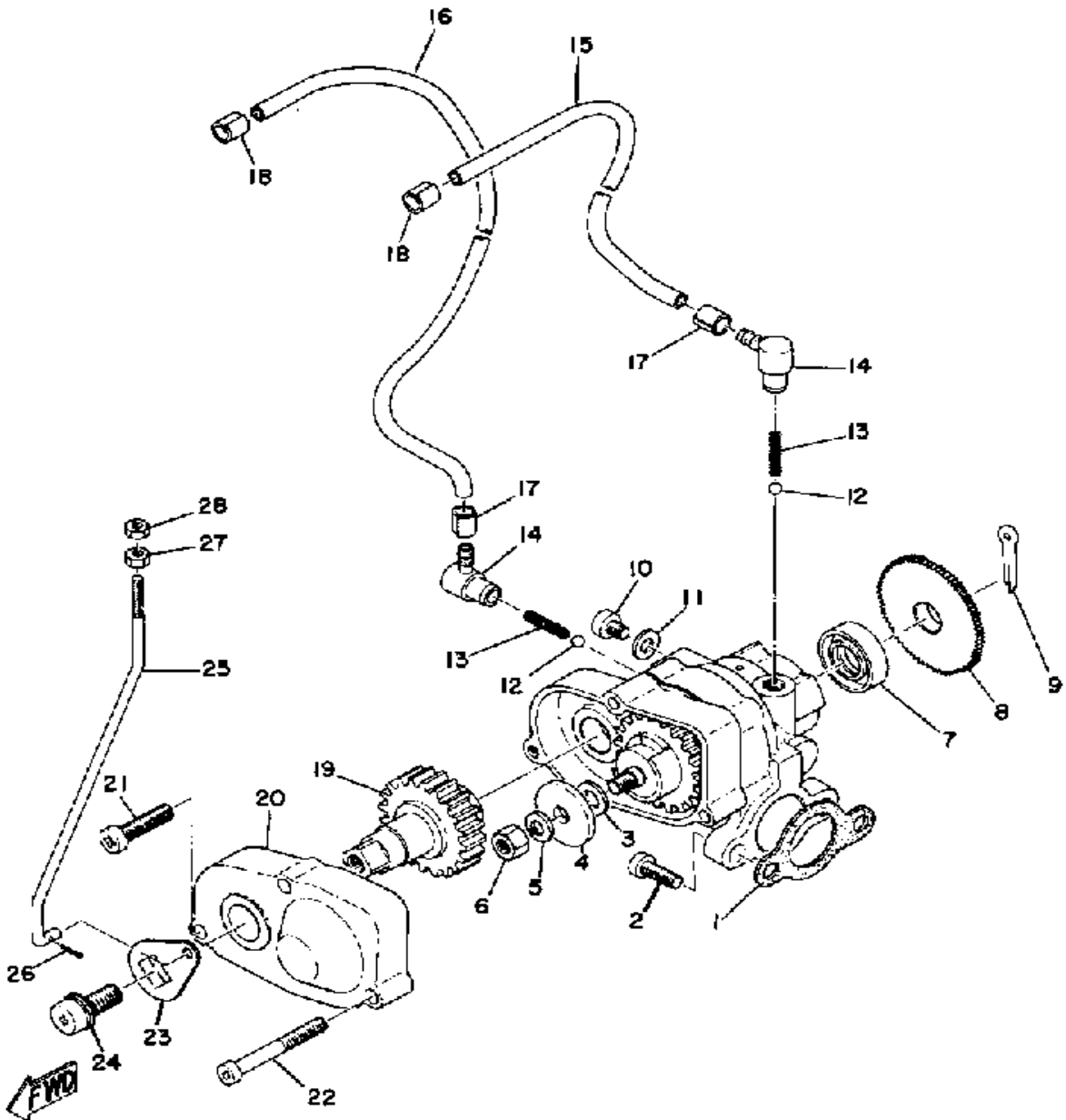


Ref. No.	Part Number	Description	Qty	Remarks
1	3MT-13116-00-00	GASKET, PUMP CASE (8Y0-13116-00)	1	
2	98580-05016-00	SCREW, PAN HEAD	2	
3	137-13137-00-03	. SHIM (0.3T)	1	
	137-13137-00-05	. SHIM (0.5T)	1	
	137-13137-00-10	. SHIM (1.0T)	1	
4	137-13138-01-00	. PLATE, ADJUSTING	1	
5	92990-05100-00	. WASHER, SPRING	1	
6	95380-05600-00	. NUT	1	
7	93101-10090-00	. OIL SEAL	1	
8	90430-04004-00	. GASKET	1	
9	91401-12018-00	. PIN, COTTER	1	
10	98901-04008-00	. SCREW, BIND	1	
11	90430-04004-00	. GASKET	1	
12	93505-32002-00	. BALL	2	
13	90501-02018-00	. SPRING, COMPRESSION	2	
14	353-13552-01-00	. NOZZLE	2	
15	90445-05022-00	. HOSE	1	
16	90445-05029-00	. HOSE (807-13171-00)	1	
17	90468-02033-00	. CLIP	2	
18	90468-02033-00	CLIP	2	
19	(838-13154-01-00)	GEAR, PUMP CONTROL	1	
20	(859-13146-00-00)	COVER, AJST PULLEY	1	
21	98511-04020-00	SCREW, PAN HEAD	1	
22	98501-04035-00	SCREW, PAN HEAD	2	
23	(812-13156-00-00)	LEVER, PUMP CONTROL	1	
24	98503-06014-00	SCREW, PAN HEAD (92502-06016)	1	
25	(840-13157-00-00)	ROD, PUMP CONTROL	1	

CONTINUED ON NEXT FRAME ►

Property of www.SmallEngineDiscount.com - Not for Resale

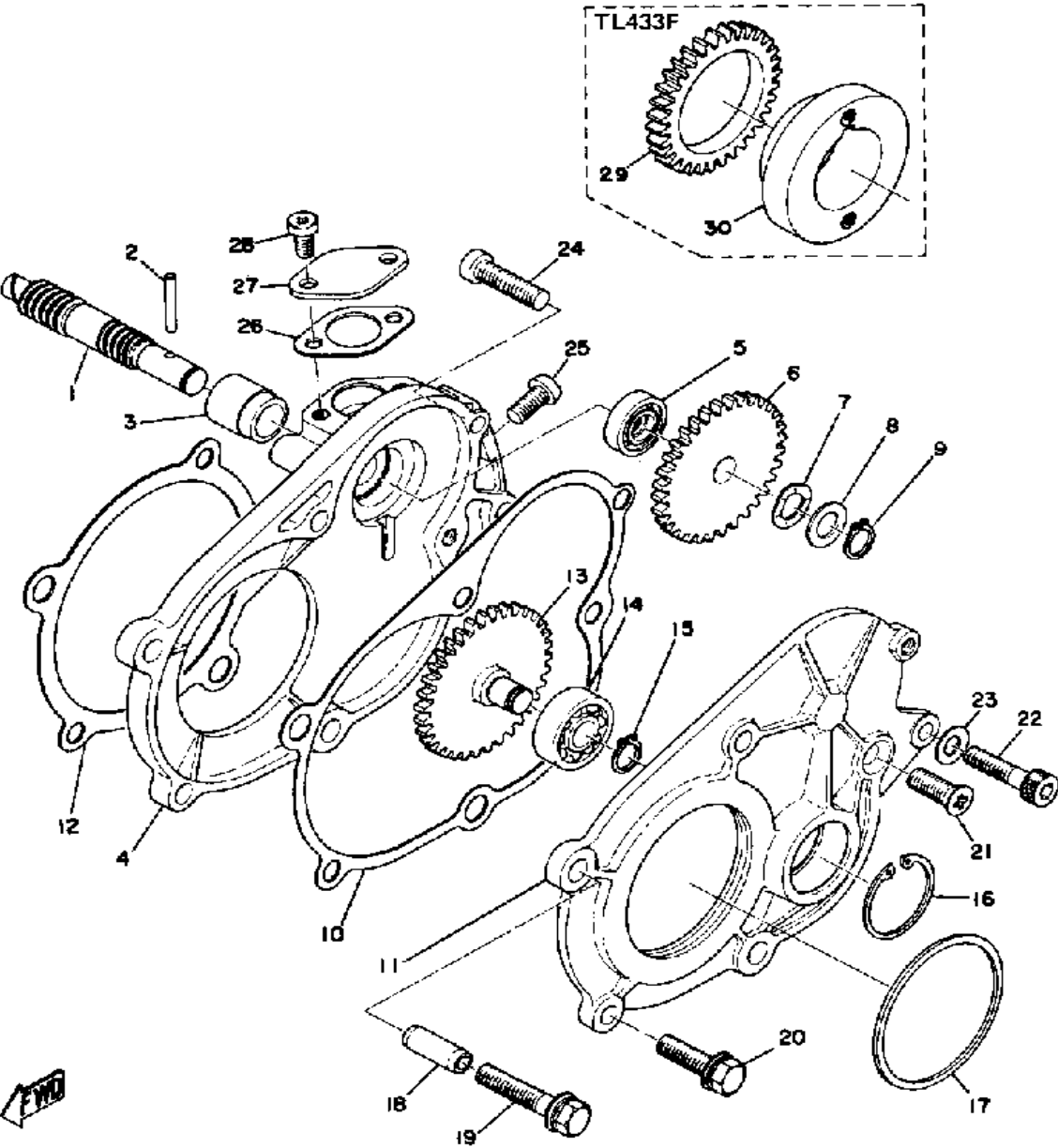
OIL PUMP



Ref. No.	Part Number	Description	Qty	Remarks
26	91490-12012-00	PIN, COTTER	1	
27	90170-03008-00	NUT, HEXAGON (807-13139-00)	1	
28	90185-03007-00	NUT, SELF-LOCKING (838-13139-00)	1	
-1	(861-13101-00-00)	OIL PUMP ASSEMBLY	1	

Property of www.SmallEngineDiscount.com - Not for Resale

PUMP DRIVE GEAR

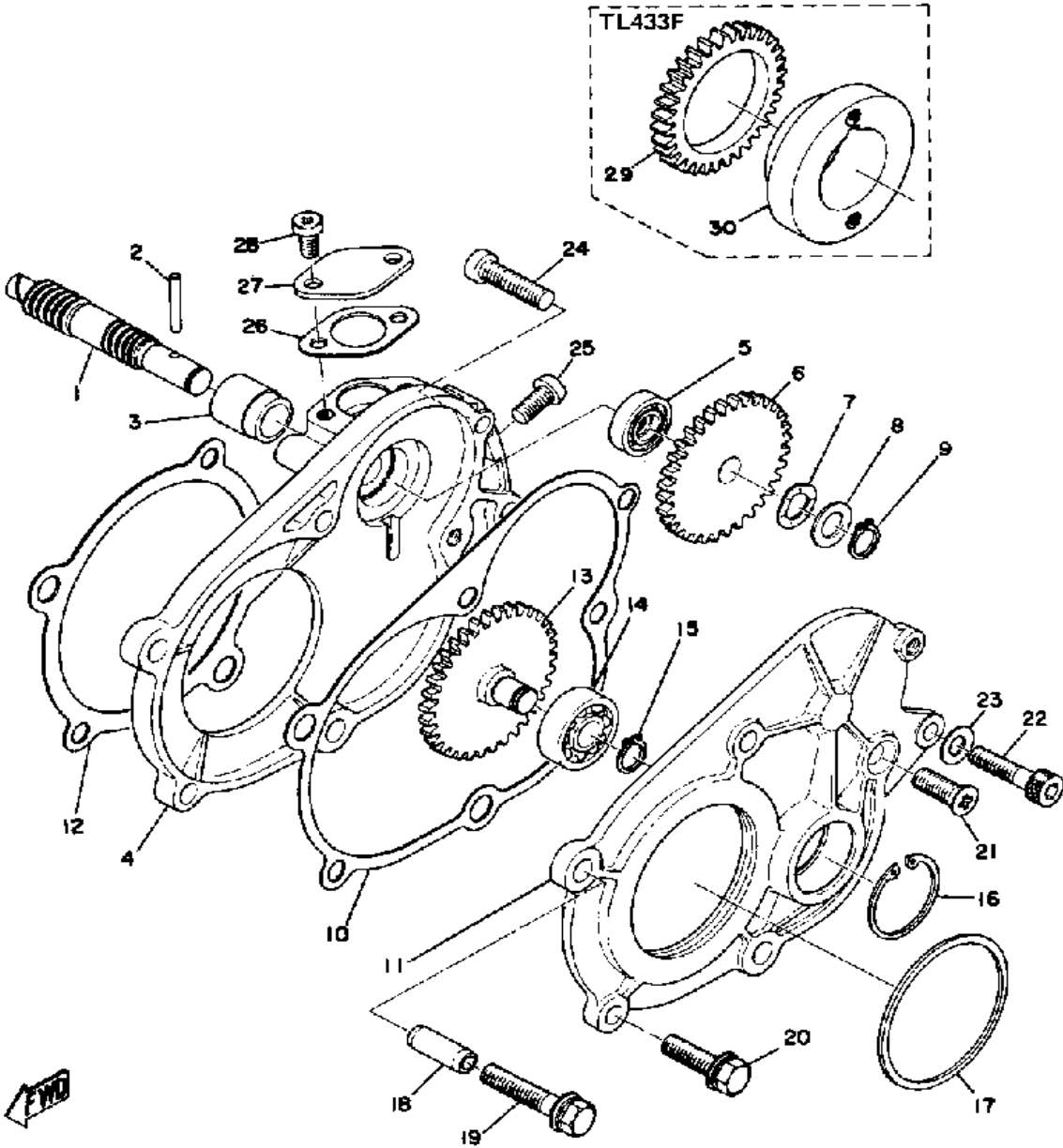


Ref. No.	Part Number	Description	Qty	Remarks
1	826-13175-00-00	SHAFT, WORM	1	
2	93603-22028-00	PIN, DOWEL	1	
3	821-13176-00-00	METAL, WORM SHAFT OUTER	1	
4	(8E3-15416-00-00)	COVER, OIL PUMP	1	
5	93101-10090-00	OIL SEAL	1	
6	821-13188-00-00	GEAR, DRIVE (32T)	1	
7	90206-11016-00	WASHER, WAVE	1	
8	137-13148-00-00	PLATE, CAM THRUST	1	
9	99009-10400-00	CIRCLIP	1	
10	859-15466-00-00	GASKET 2	1	
11	838-15426-00-00	COVER, OIL PUMP R	1	
12	838-15456-00-00	GASKET, O/PMP CVR 1	1	
13	(821-13179-00-00)	GEAR, IDLE	1	
14	93306-00002-00	BEARING (B6000RS)	1	
15	99009-10400-00	CIRCLIP	1	
16	93420-26024-00	CIRCLIP, R-TYPE (R-26)	1	
17	(838-13119-00-00)	SEAL, GREASE	1	
18	91810-18022-00	PIN, DOWEL	2	
19	92990-06200-00	WASHER	2	
	92995-06100-00	WASHER, SPRING	2	
	97013-06035-00	BOLT	2	
20	97011-06025-00	BOLT (97001-06025)	2	
21	98701-06014-00	SCREW, FLAT HEAD	1	
22	91316-06025-00	BOLT	1	
23	92990-06200-00	WASHER	1	
24	98511-06025-00	SCREW PAN HEAD (92501-06025)	1	
25	98580-06012-00	SCREW, PAN HEAD	1	
26	821-17818-02-00	GASKET	1	

CONTINUED ON NEXT FRAME ►

Property of www.SmallEngineDiscount.com - Not for Resale

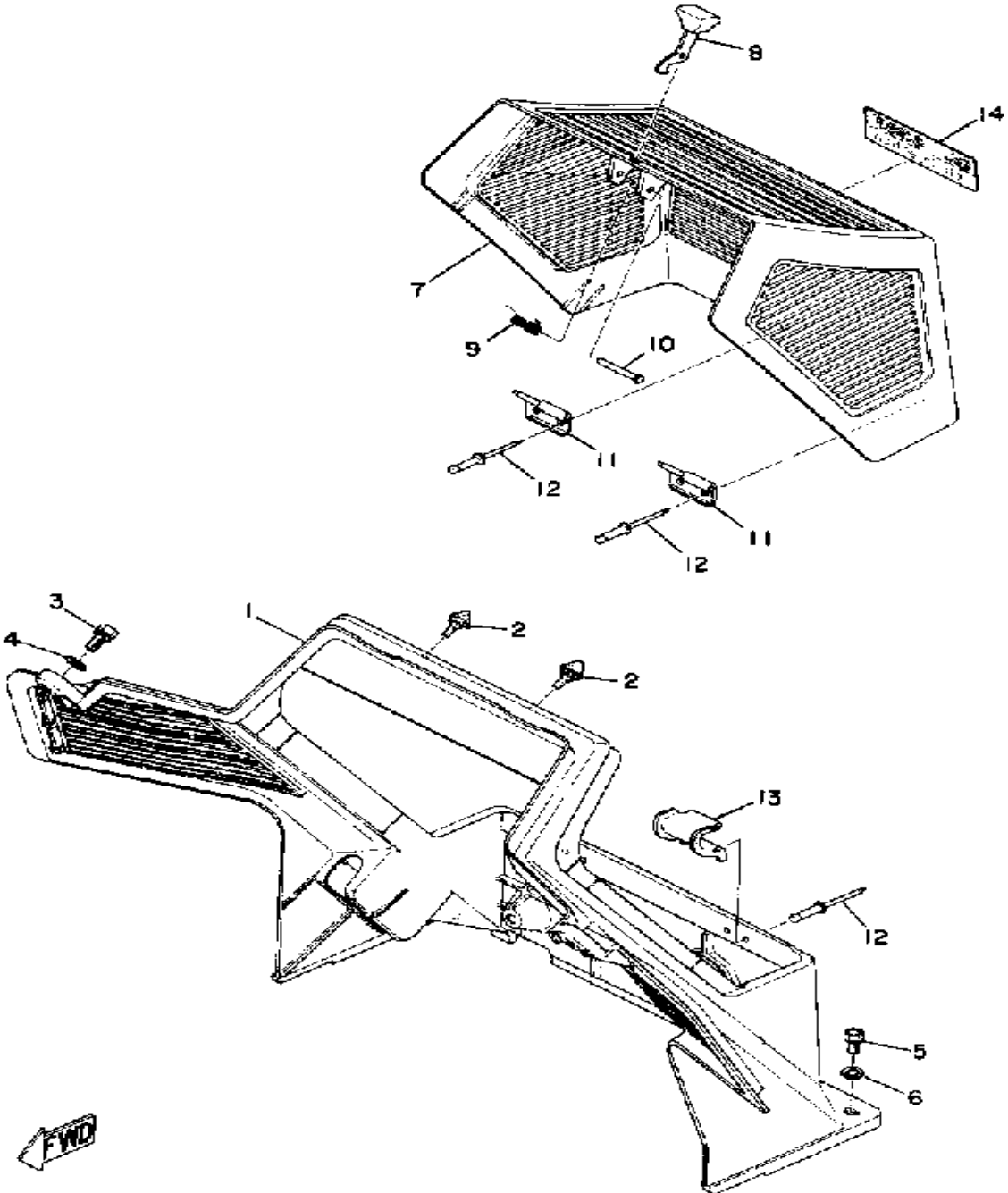
PUMP DRIVE GEAR



Ref. No.	Part Number	Description	Qty	Remarks
27	824-17819-00-00	CAP, HOUSING	1	
28	98580-05010-00	SCREW, PAN HEAD	2	
29	821-13178-00-00	GEAR, PUMP DRIVE	1	
30	(868-16136-00-00)	COLLAR, DISTANCE	1	

Property of www.SmallEngineDiscount.com - Not for Resale

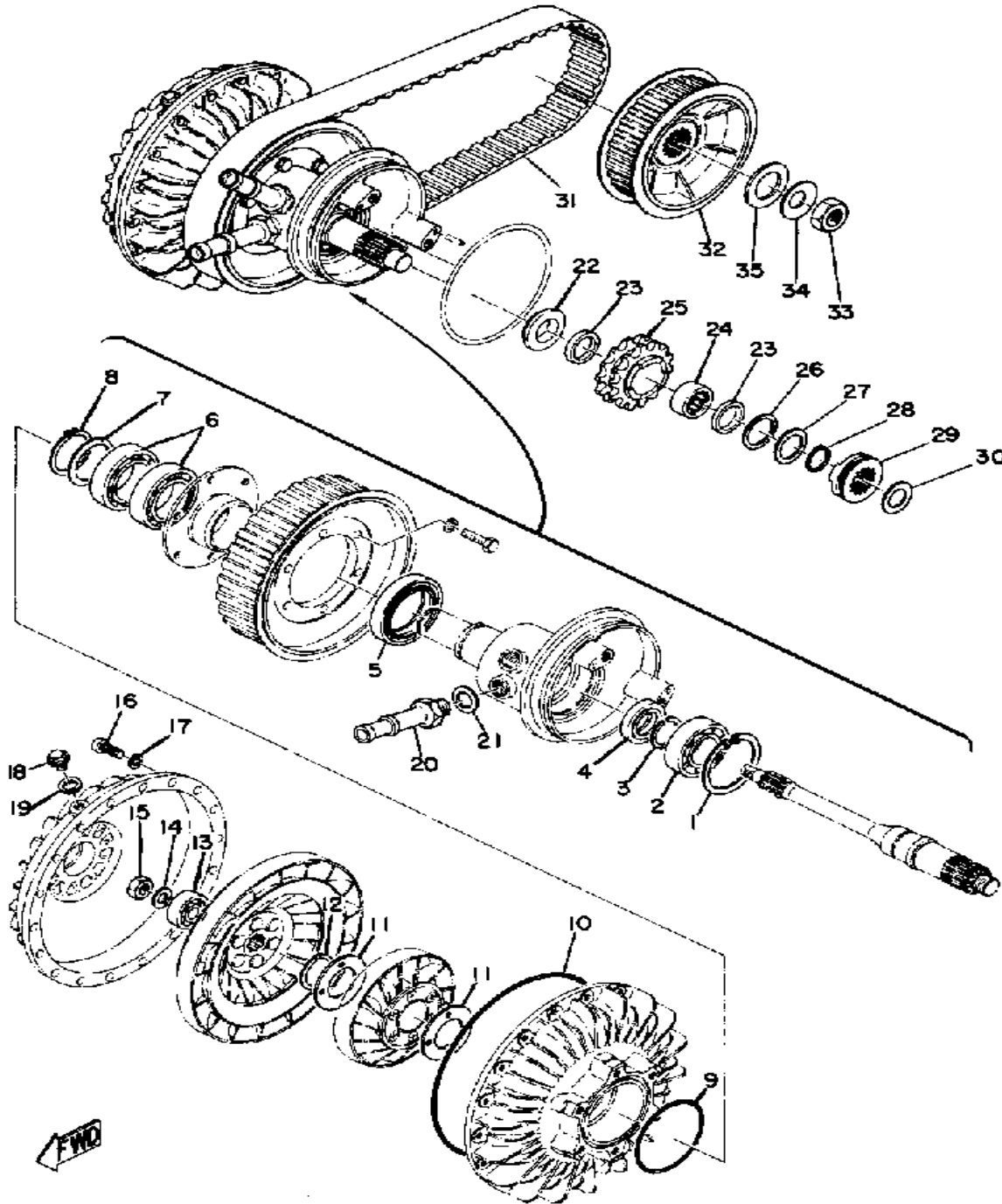
ENGINE COWL



Ref. No.	Part Number	Description	Qty	Remarks
1	(841-77411-00-00)	COWL, ENGINE	1	
2	(811-77461-00-00)	DAMPER 1	2	
3	92906-06100-00	WASHER, SPRING	2	
	97016-06016-00	BOLT	2	
4	90201-062A8-00	WASHER, PLATE	2	
5	92906-06100-00	WASHER, SPRING	2	
	97016-06020-00	BOLT	2	
6	90201-06059-00	WASHER, PLATE	2	
7	(841-77425-00-00)	LID, ENGINE COWL	1	
8	841-77491-00-00	KNOB, LATCH	1	
9	90508-08006-00	SPRING, TORSION	1	
10	90243-04004-00	PIN	1	
11	841-77475-00-00	HINGE 1	2	
12	(90267-40023-00)	RIVET, BLIND	8	
13	(841-77476-00-00)	HINGE 2	2	
14	(861-77451-00-00)	EMBLEM 1	1	

Property of www.SmallEngineDiscount.com - Not for Resale

TORQUE CONVERTER

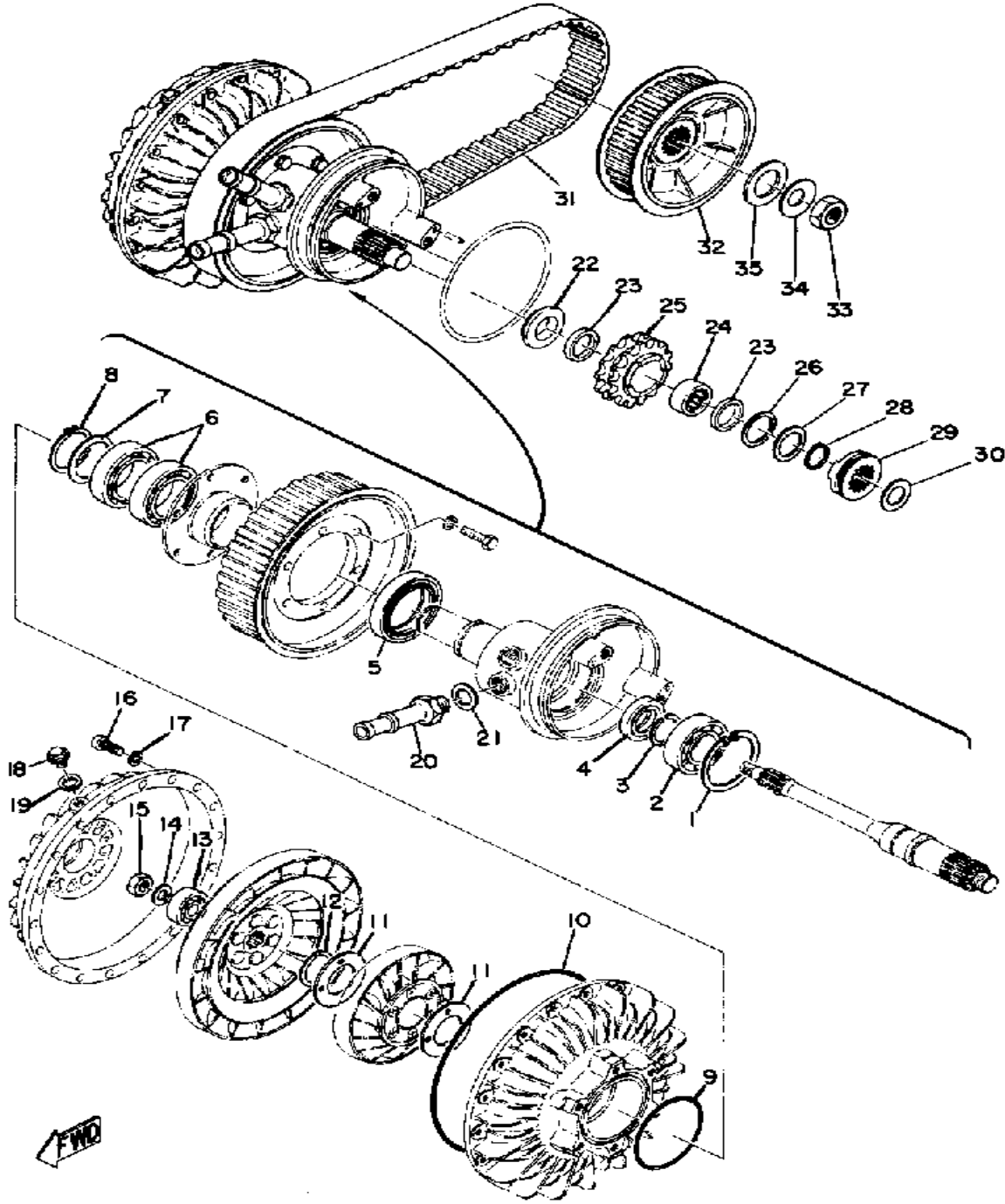


Ref. No.	Part Number	Description	Qty	Remarks
1	99009-52500-00	. CIRCLIP	1	
2	93306-20529-00	. BEARING (B6205C4)	1	
3	93440-25084-00	. CIRCLIP	1	
4	93103-25069-00	. OIL SEAL, SW-TYPE (SW-25-40-8 SPECIAL)	1	
5	93103-48070-00	. OIL SEAL, SW-TYPE	1	
6	(93306-00703-00)	BEARING	2	
7	(834-16715-00-00)	SHIM	1	
8	93410-35027-00	. CIRCLIP, S-TYPE (S-35)	1	
9	(93210-69203-00)	O-RING	1	
10	93211-64236-00	. O-RING	1	
11	(834-16737-00-00)	BEARING, THRUST	2	
12	(93410-28028-00)	CIRCLIP, S-TYPE	1	
13	93306-20111-00	. BEARING (B6201)	1	
14	92990-10100-00	. WASHER, SPRING	1	
15	95303-10700-00	. NUT	1	
16	(98511-05018-00)	SCREW, PAN HEAD	18	
17	92990-05100-00	. WASHER, SPRING	18	
18	90105-08003-00	. BOLT, WASHER BASED (834-6777-00)	2	
19	90430-08023-00	. GASKET	2	
20	(868-16756-00-00)	CONNECTOR, PIPE	2	
21	214-11198-01-00	. GASKET	2	
22	90387-24251-00	COLLAR	1	
23	90387-24253-00	COLLAR	2	
24	93315-22414-00	BEARING, CYLINDER.# 5	1	
25	874-17682-00-00	UNAVAILABLE IN PRICE BOOK	1	
26	626-45577-00-03	SHIM (T:0.30MM)	1	
	626-45577-00-05	SHIM (T:0.50MM)	1	

CONTINUED ON NEXT FRAME ►

Property of www.SmallEngineDiscount.com - Not for Resale

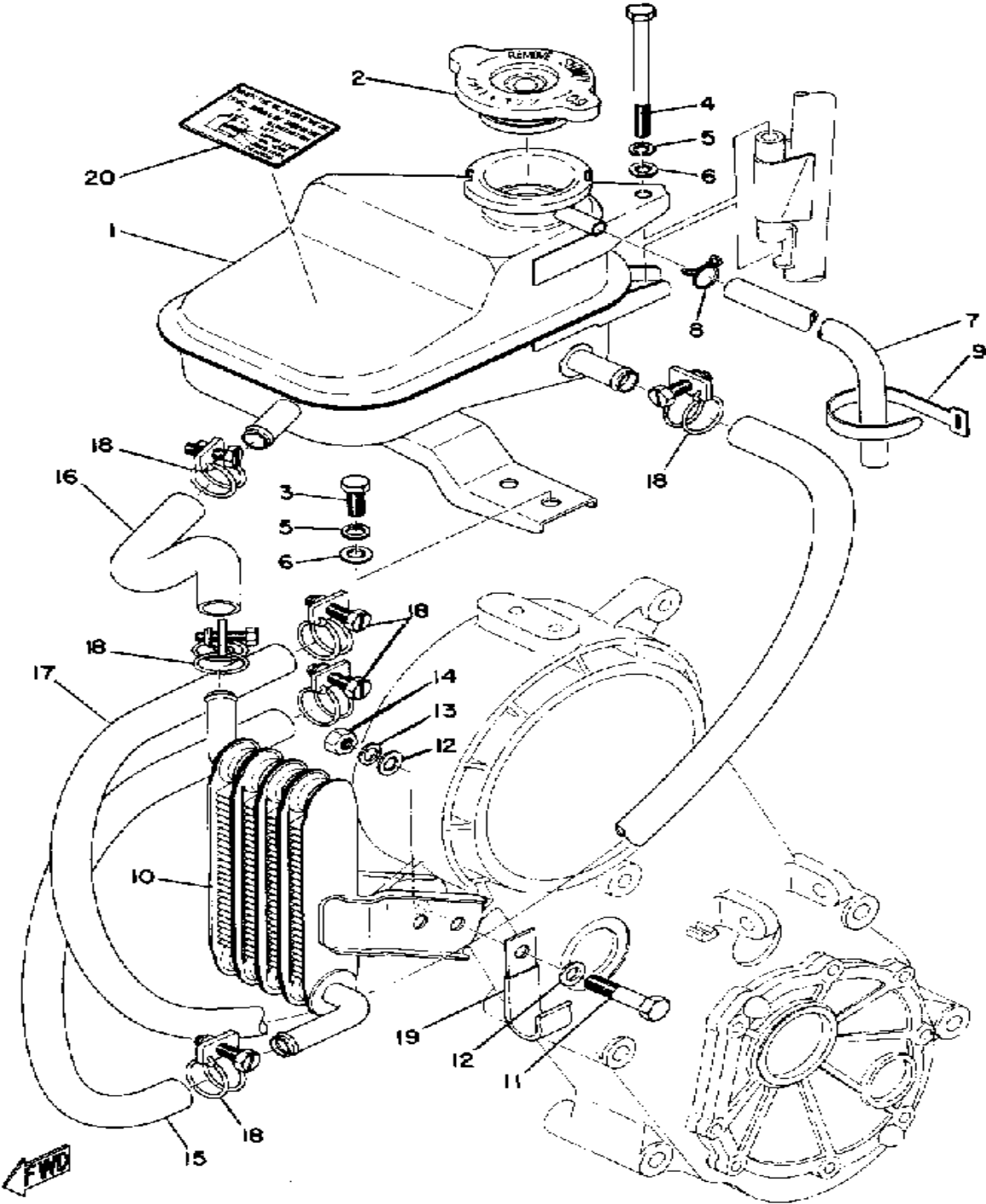
TORQUE CONVERTER



Ref. No.	Part Number	Description	Qty	Remarks
27	826-17238-00-00	SHIM 3	1	
28	99009-24400-00	CIRCLIP, S-TYPE	1	
29	874-17492-00-00	DOG, TRANS SHIFT	1	
30	136-17417-00-10	SHIM 1	1	
31	874-17641-00-00	V-BELT	1	
32	(874-16785-00-00)	PULLEY 1	1	
33	90170-16182-00	NUT	1	
34	(90208-16014-00)	WASHER, CONICAL SPR	1	
35	(90560-17078-00)	SPACER	1	
-1	(874-16700-00-00)	TORQUE CONV ASSEMBLY ..	1	

Property of www.SmallEngineDiscount.com - Not for Resale

OIL TANK - COOLER

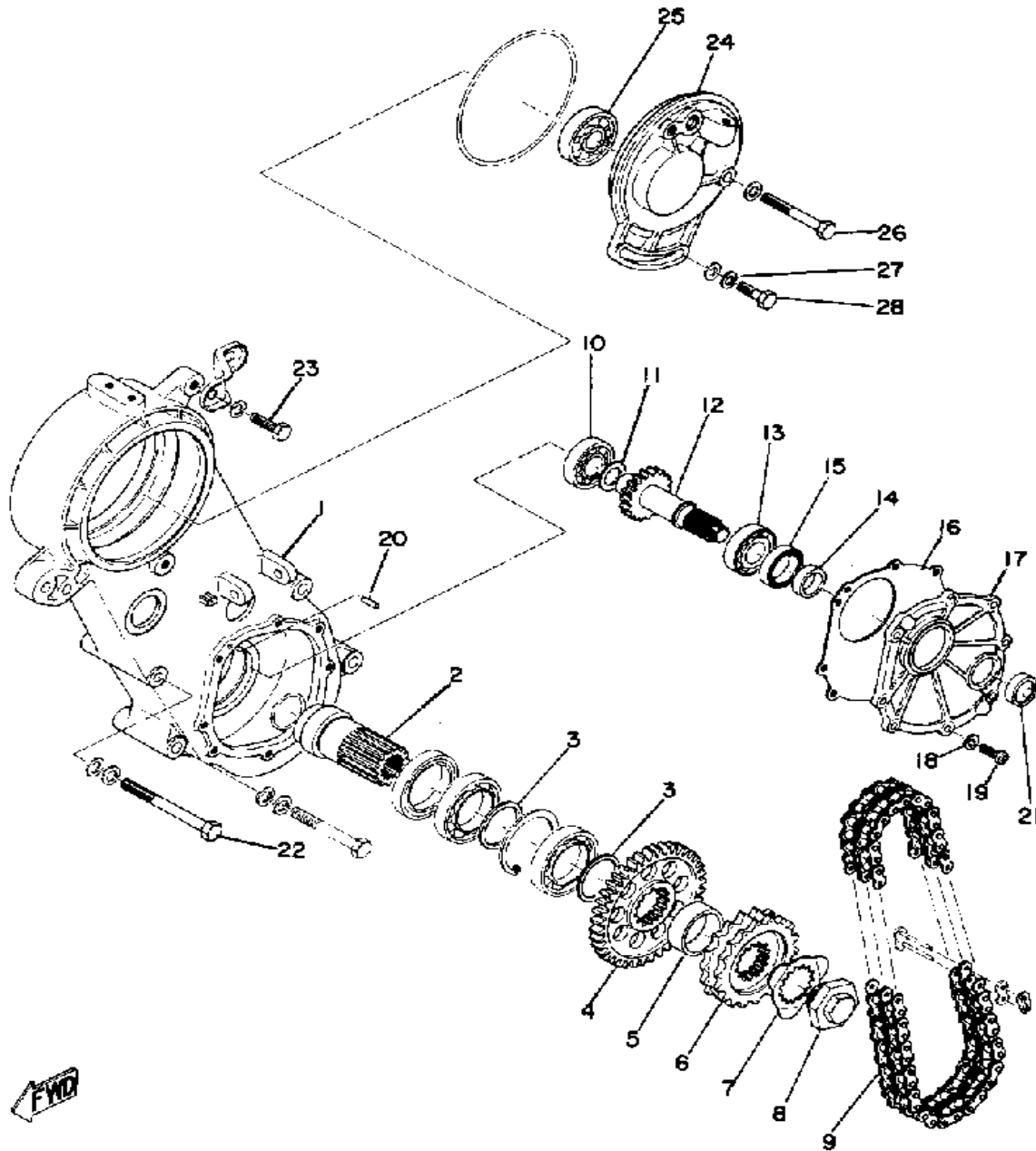


Ref. No.	Part Number	Description	Qty	Remarks
1	891-21811-00-00	TANK, TQ/CONV OIL	1	
2	11H-12462-00-00	CAP, RADIATOR	1	
3	97313-06016-00	BOLT, HEXAGON	2	
4	97021-06080-00	BOLT (97001-06080-00)	1	
5	92995-06100-00	WASHER, SPRING	3	
6	92990-06200-00	WASHER	3	
7	(90445-11154-00)	HOSE	1	
8	90467-10008-00	CLIP	1	
9	437-83936-11-00	BAND, SWITCH CORD	2	
10	(874-21841-00-00)	COOLER	1	
11	97313-08040-00	BOLT, HEXAGON (97322-08040)	2	
12	92990-08200-00	WASHER, PLAIN	4	
13	92990-08100-00	WASHER	2	
14	95333-08600-00	NUT	2	
15	90446-20056-00	HOSE	1	
16	90446-20055-00	HOSE	1	
17	(852-21817-00-00)	PIPE 2	1	
18	90460-19039-00	CLAMP, HOSE (834-21822-00)	6	
19	(90465-10018-00)	CLAMP	1	
20	(852-21835-00-00)	ORMNT, TQ/CONV TANK	1	
	(874-00000-74-00)	TANK MOUNTING KIT	1	

ALTERNATE PARTS SEE TB S4-015A

Property of www.SmallEngineDiscount.com - Not for Resale

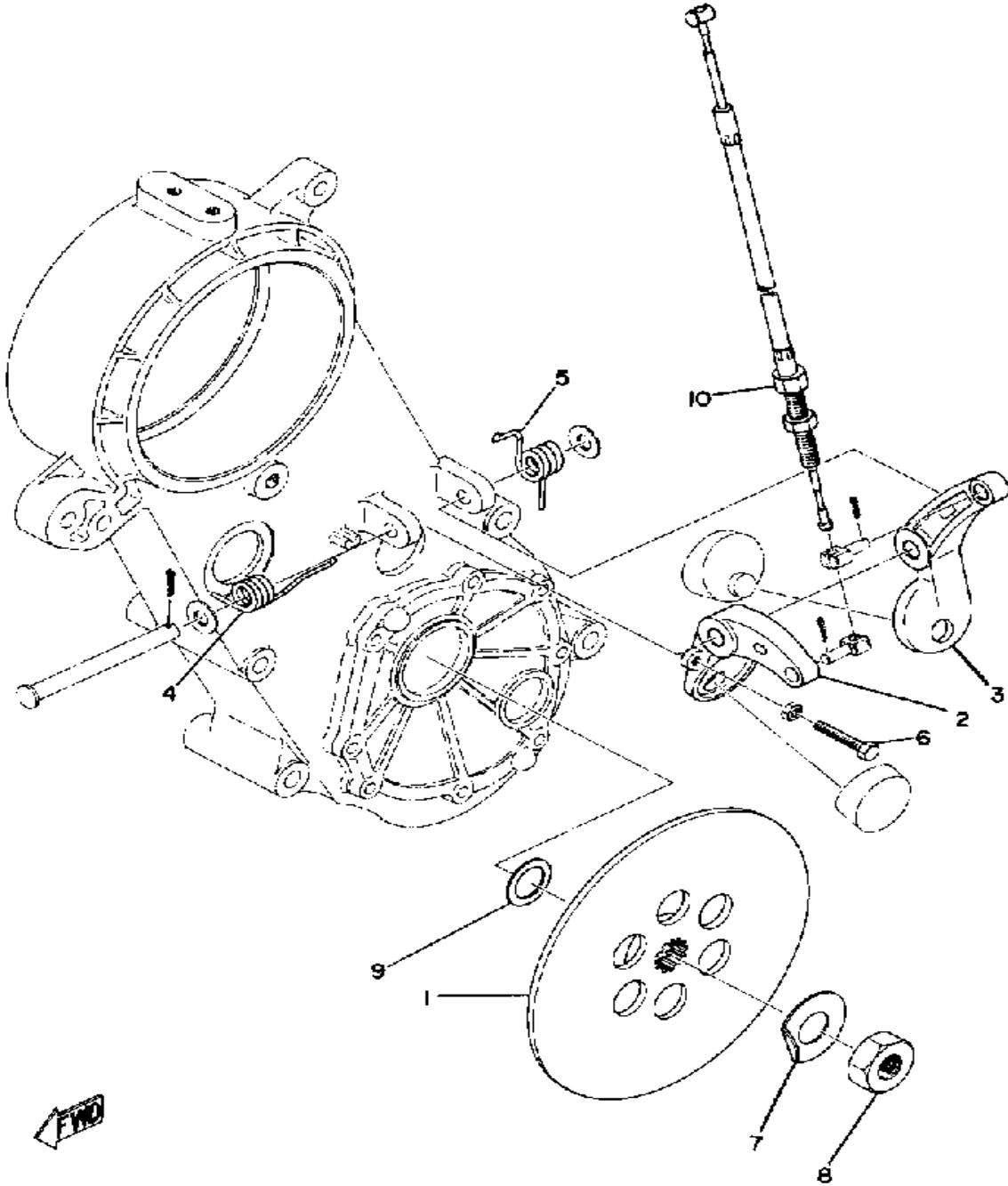
TRACK DRIVE - FRONT AXLE



Ref. No.	Part Number	Description	Qty	Remarks
1	(874-47541-00-00)	HOUSING, CHAIN	1	
2	(874-47571-00-00)	JOURNAL 1	1	
3	90560-35050-00	SPACER	2	
4	(874-17121-00-00)	GEAR, 2ND PINION	1	
5	(90387-35254-00)	COLLAR	1	
6	(835-47548-90-00)	SPROCKET, CHN DRVN	1	
7	(90215-29094-00)	WASHER, LOCK	1	
8	90109-24412-00	BOLT	1	
9	94804-25062-00	CHAIN (DK425-2 62L)	1	
10	93306-20310-00	BEARING	1	
11	874-17228-00-00	SHIM 2	1	
12	(874-17421-00-00)	AXLE, DRIVE	1	
13	93306-00423-00	BEARING (B6004)	1	
14	(90387-20252-00)	COLLAR	1	
15	93102-25124-00	OIL SEAL, SD-TYPE	1	
16	874-47544-00-00	GASKET	1	
17	874-47543-00-00	CAP, HOUSING	1	
18	90210-06006-00	WASHER, SEAL	8	
19	98580-06018-00	SCREW, PAN HEAD	8	
20	93604-14102-00	UNAVAILABLE IN PRICE BOOK	1	
21	(874-47546-00-00)	LEVEL, OIL	1	
22	97023-08090-00	BOLT (97321-08090)	2	
23	97313-08020-00	BOLT, HEXAGON	1	
24	(874-47561-00-00)	HOUSING, SEC SHAFT	1	
25	93306-30302-00	BEARING	1	
26	97013-08060-00	BOLT (663)	2	
27	92990-08100-00	WASHER	2	
28	97313-08020-00	BOLT, HEXAGON	2	

Property of www.SmallEngineDiscount.com - Not for Resale

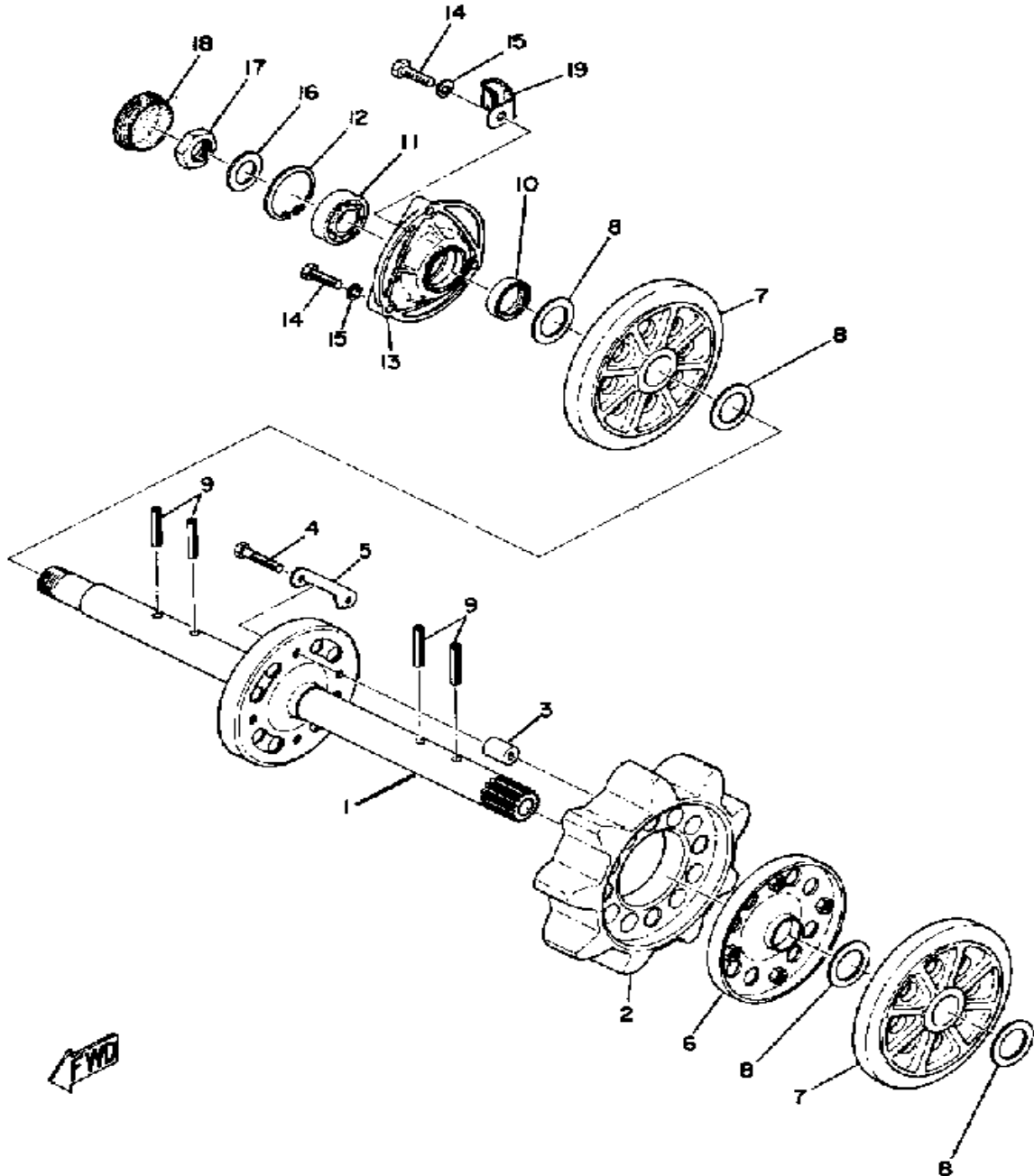
BRAKE



Ref. No.	Part Number	Description	Qty	Remarks
1	(8A2-25711-00-00)	DISC, BRAKE	1	
2	(874-25740-00-00)	CALIPER BODY 2	1	
3	874-25700-00-0	UNAVAILABLE IN PRICE BOOK	1	
4	90508-29148-00	SPRING, TORSION	1	
5	(90508-26147-00)	SPRING, TORSION	1	
6	97301-05030-00	BOLT, HEXAGON (97302-05030)	1	
7	90215-17045-00	WASHER, LOCK	1	
8	(90179-14059-00)	NUT, SPEC'L SHAPE	1	
9	328-17427-00-02	SHIM 1	1	
	328-17427-00-03	SHIM 1	1	
10	(863-26340-02-00)	CABLE, BRAKE	1	

Property of www.SmallEngineDiscount.com - Not for Resale

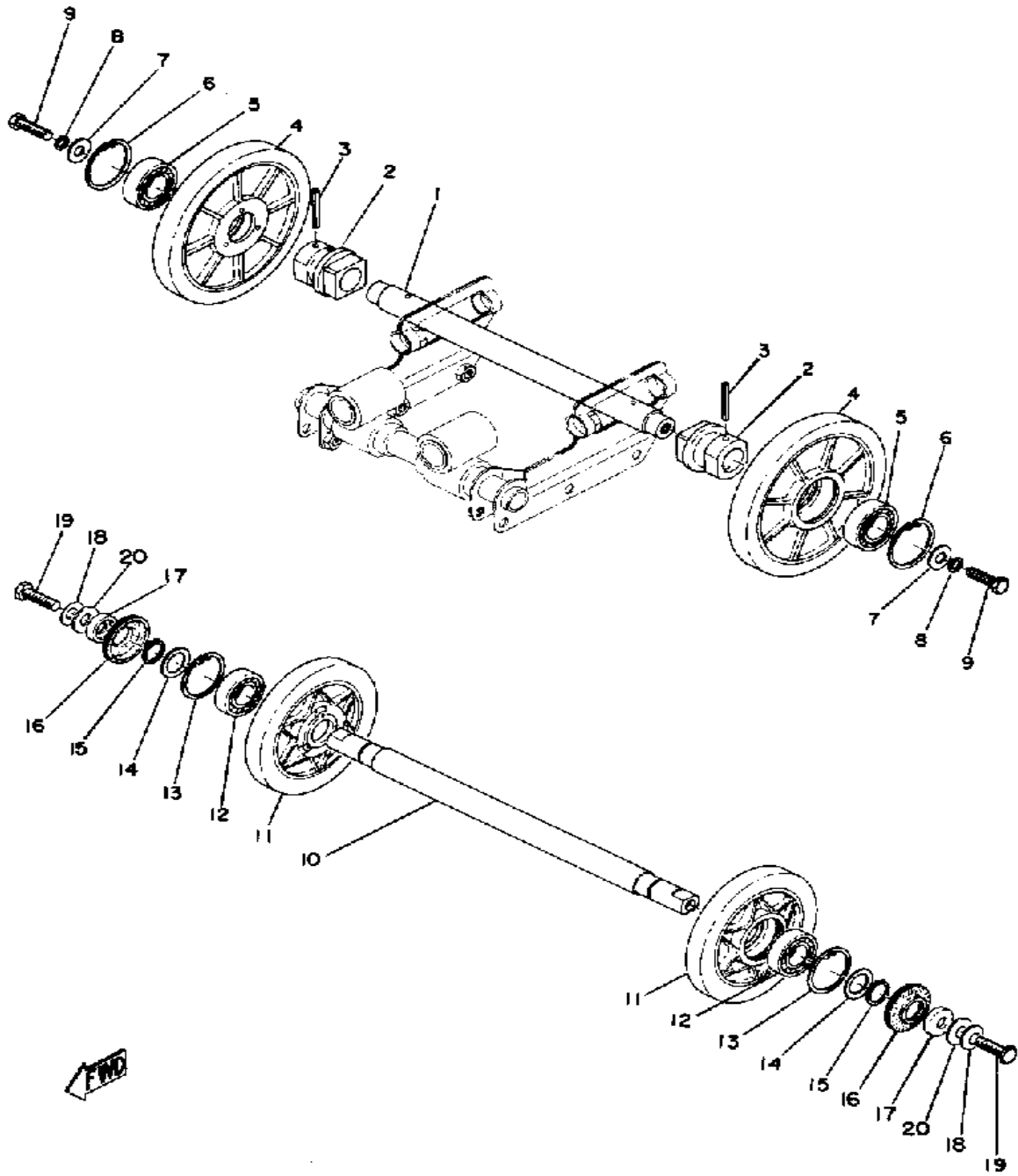
FRONT AXLE



Ref. No.	Part Number	Description	Qty	Remarks
1	865-47510-00-00	FRONT AXLE	1	
2	810-47532-00-00	WHEEL, SPROCKET 2	1	
3	(90387-06021-00)	COLLAR	4	
4	97013-06035-00	BOLT	4	
5	90215-06100-00	WASHER, LOCK	2	
6	(810-47522-00-00)	RIM, SPROCKET WHL 2	1	
7	810-47530-00-00	GUIDE WHEEL	2	
8	90201-25499-00	WASHER, PLATE	4	
9	91609-60036-00	PIN, SPRING	4	
10	93102-25084-00	OIL SEAL, SD-TYPE	1	
11	93306-00412-00	BEARING	1	
12	93420-44029-00	CIRCLIP, R-TYPE	1	
13	841-47551-00-00	HOUSING, FRONT AXLE	1	
14	97013-08025-00	BOLT	3	
15	92990-08100-00	WASHER	3	
16	90208-22001-00	WASHER, CONICAL SPRING ..	1	
17	90170-22094-00	NUT	1	
18	810-47552-00-00	CAP	1	
19	90465-06100-00	CLAMP	1	

Property of www.SmallEngineDiscount.com - Not for Resale

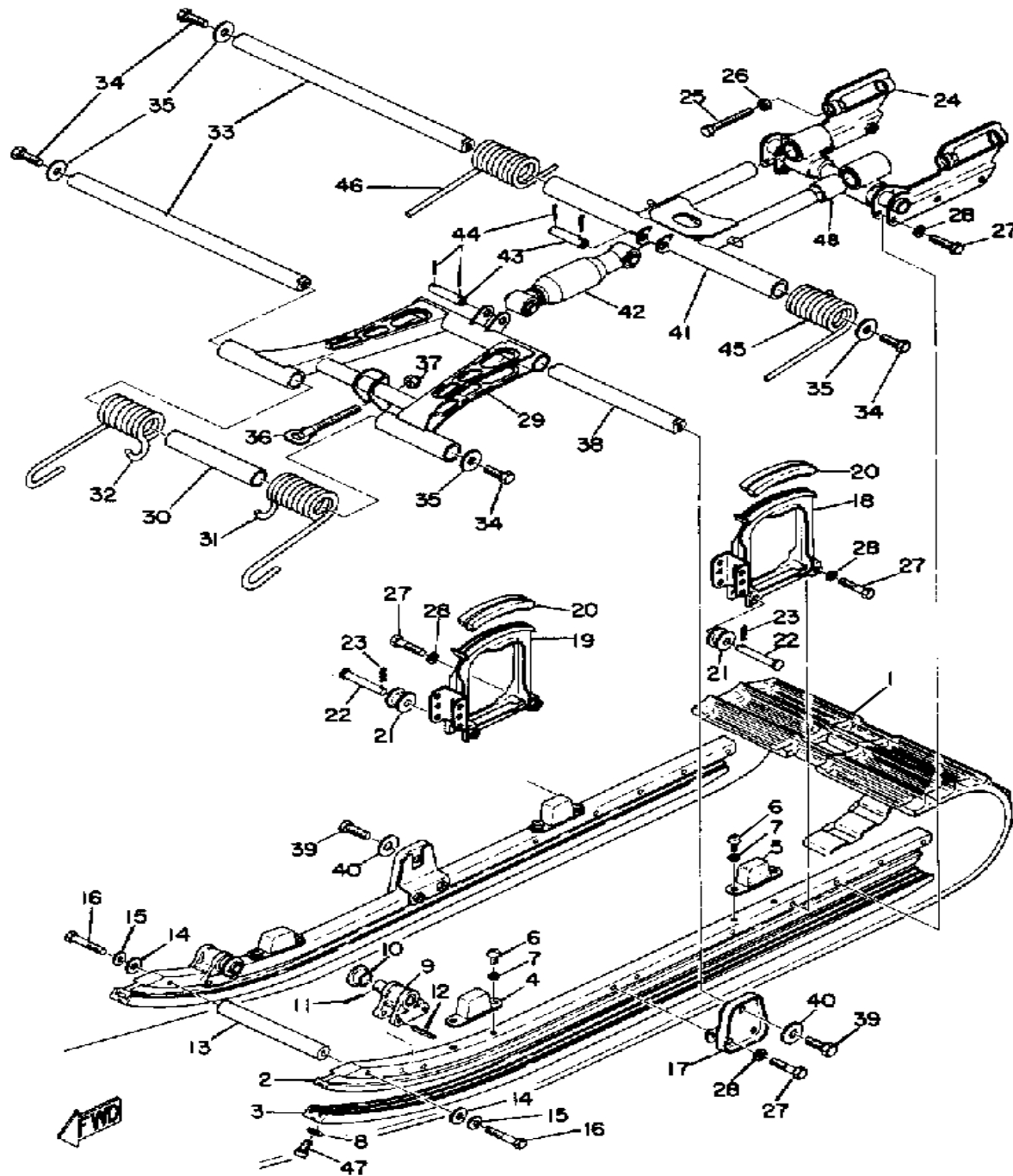
REAR AXLE - WHEEL



Ref. No.	Part Number	Description	Qty	Remarks
1	(865-47521-01-00)	AXLE, REAR	1	
2	(865-47479-03-00)	COLLAR 3	2	
3	91609-40040-00	PIN, SPRING	2	
4	(865-47535-00-00)	WHEEL, GUIDE 2	2	
5	93306-20417-00	BEARING (B62042RS)	2	
6	99009-47500-00	CIRCLIP	2	
7	90201-08772-00	WASHER, PLATE	2	
8	92990-08100-00	WASHER	2	
9	97313-08030-00	BOLT, HEXAGON	2	
10	(865-47485-00-00)	SHAFT 3	1	
11	885-47320-01-00	SUSPENSION WHEEL COMP.	2	
12	93306-00441-00	BEARING (89A) (B6004RS)	2	
13	99009-42500-00	CIRCLIP	2	
14	99009-20400-00	CIRCLIP	2	
15	90201-20272-00	WASHER, PLATE	2	
16	(829-47317-00-00)	CAP, WHEEL	2	
17	(865-47341-00-00)	SPACER	2	
18	(829-16119-00-00)	SPRING, BELLEVILLE	2	
19	(90101-08024-00)	BOLT	2	
20	90201-085E6-00	WASHER PLATE	2	

Property of www.SmallEngineDiscount.com - Not for Resale

TRACK - SUSPENSION

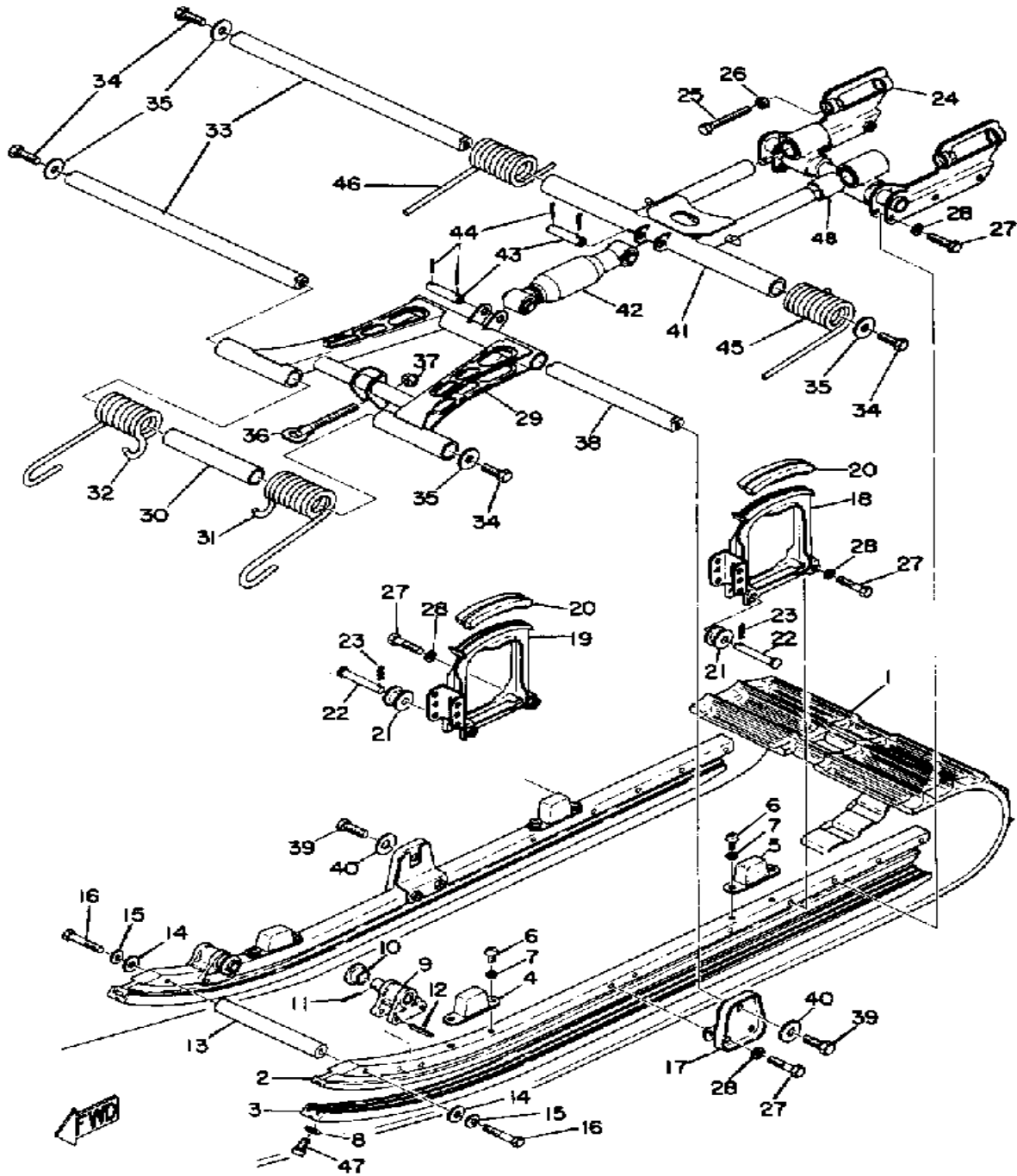


Ref. No.	Part Number	Description	Qty	Remarks
1	865-47110-00-00	TRACK ASSEMBLY	1	
2	(865-47411-00-00)	FRAME, SLIDING 1	2	
3	865-47421-00-00	RUNNER, SLIDING 1	2	
4	(865-47456-01-00)	DAMPER 1	2	
5	(865-47457-01-00)	DAMPER 2	2	
6	98503-06014-00	SCREW, PAN HEAD (92502-06016)	8	
7	92995-06100-00	WASHER, SPRING	8	
8	90201-06057-00	WASHER, PLATE	2	
9	(865-47446-00-00)	HOOK 1	2	
10	865-47429-00-00	ROLLER	2	
11	91401-30030-00	PIN, COTTER	2	
12	91609-60036-00	PIN, SPRING	4	
13	865-47465-00-00	SHAFT 1	1	
14	90201-085E6-00	WASHER PLATE	2	
15	(829-16119-00-00)	SPRING, BELLEVILLE	2	
16	97313-08050-00	BOLT, HEXAGON (90101-08125)	2	
17	865-47415-01-00	BRACKET 1	2	
18	865-47495-00-00	STOPPER 1	1	
19	865-47496-00-00	STOPPER 2	1	
20	865-47422-00-00	RUNNER, SLIDING 2	2	
21	(865-47439-00-00)	ROLLER 2	2	
22	90240-10028-00	PIN, CLEVIS	2	
23	90468-18019-00	CLIP	2	
24	(865-47426-00-00)	BRACKET, REAR 1	1	
25	90101-10200-00	BOLT	2	
26	95303-10600-00	NUT (95301-10600)	2	
27	97313-08040-00	BOLT, HEXAGON (97322-08040)	14	
28	92990-08100-00	WASHER	14	

CONTINUED ON NEXT FRAME ►

Property of www.SmallEngineDiscount.com - Not for Resale

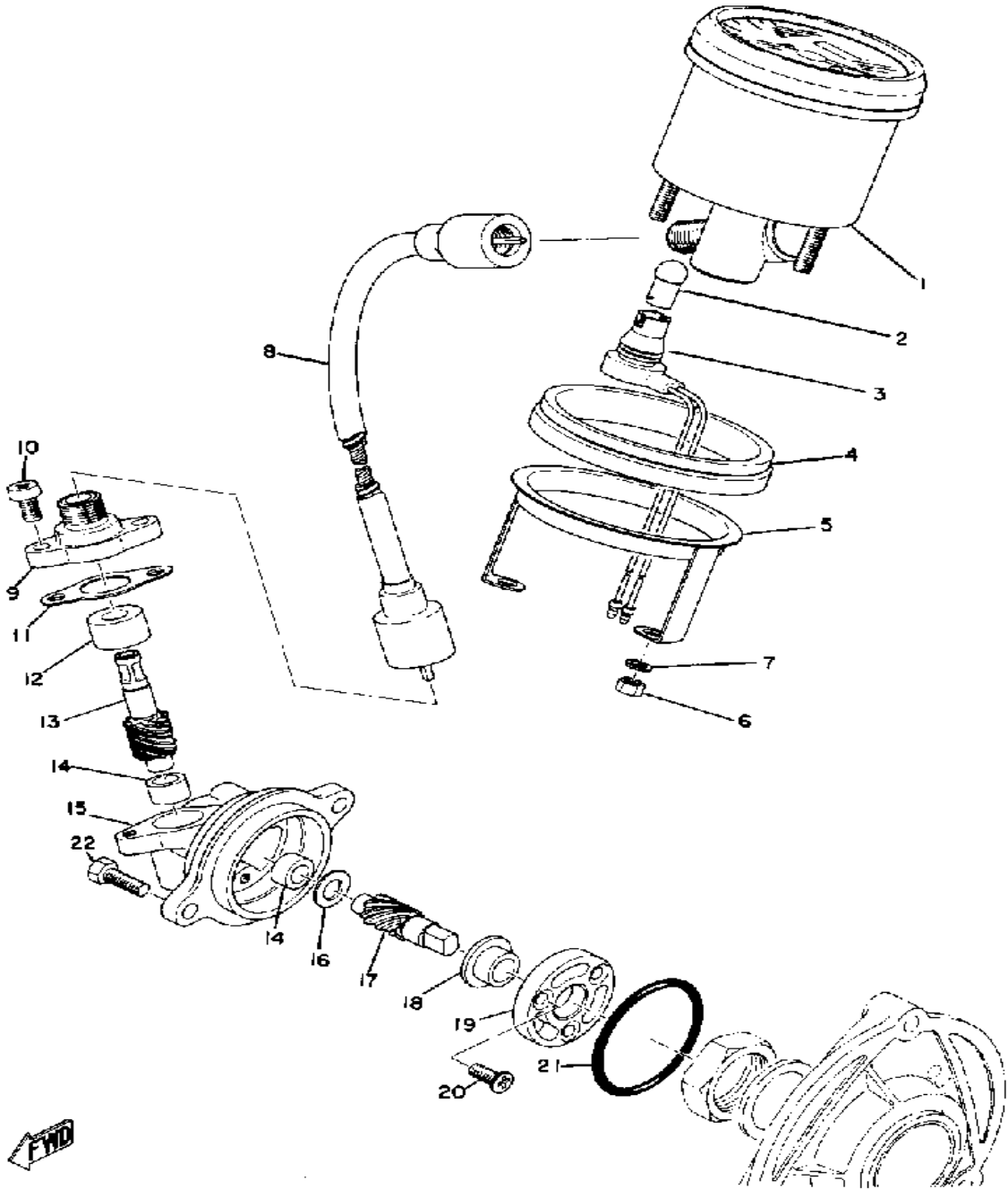
TRACK - SUSPENSION



Ref. No.	Part Number	Description	Qty	Remarks
29	(865-47331-01-00)	ARM, PIVOT 1	1	
30	90440-25001-00	TUBE, STRUCTURE	1	
31	90508-73149-00	SPRING, TORSION	1	
32	90508-73150-00	SPRING, TORSION	1	
33	(865-47337-00-00)	SHAFT, PIVOT	2	
34	97011-10025-00	BOLT	4	
35	90208-10012-00	WASHER, CONICAL SPRING	4	
36	865-47447-00-00	HOOK 2	1	
37	90185-10031-00	NUT, SELF-LOCKING	1	
38	865-47475-00-00	SHAFT 2	1	
39	97013-10030-00	BOLT (8J7) (97303-10030)	2	
40	90208-10012-00	WASHER, CONICAL SPRING	2	
41	865-47332-01-00	ARM, PIVOT 2 (865-47332-00)	1	
42	(874-47480-00-00)	SHOCK ABSORBER	1	
43	(865-47449-00-00)	PIN 1	2	
44	91401-30030-00	PIN, COTTER	4	
45	90508-75151-00	SPRING, TORSION	1	
46	(90508-75152-00)	SPRING, TORSION	1	
47	98580-06018-00	SCREW, PAN HEAD	2	
48	(90386-22033-00)	BUSH, SPEC'L NYLON	2	

Property of www.SmallEngineDiscount.com - Not for Resale

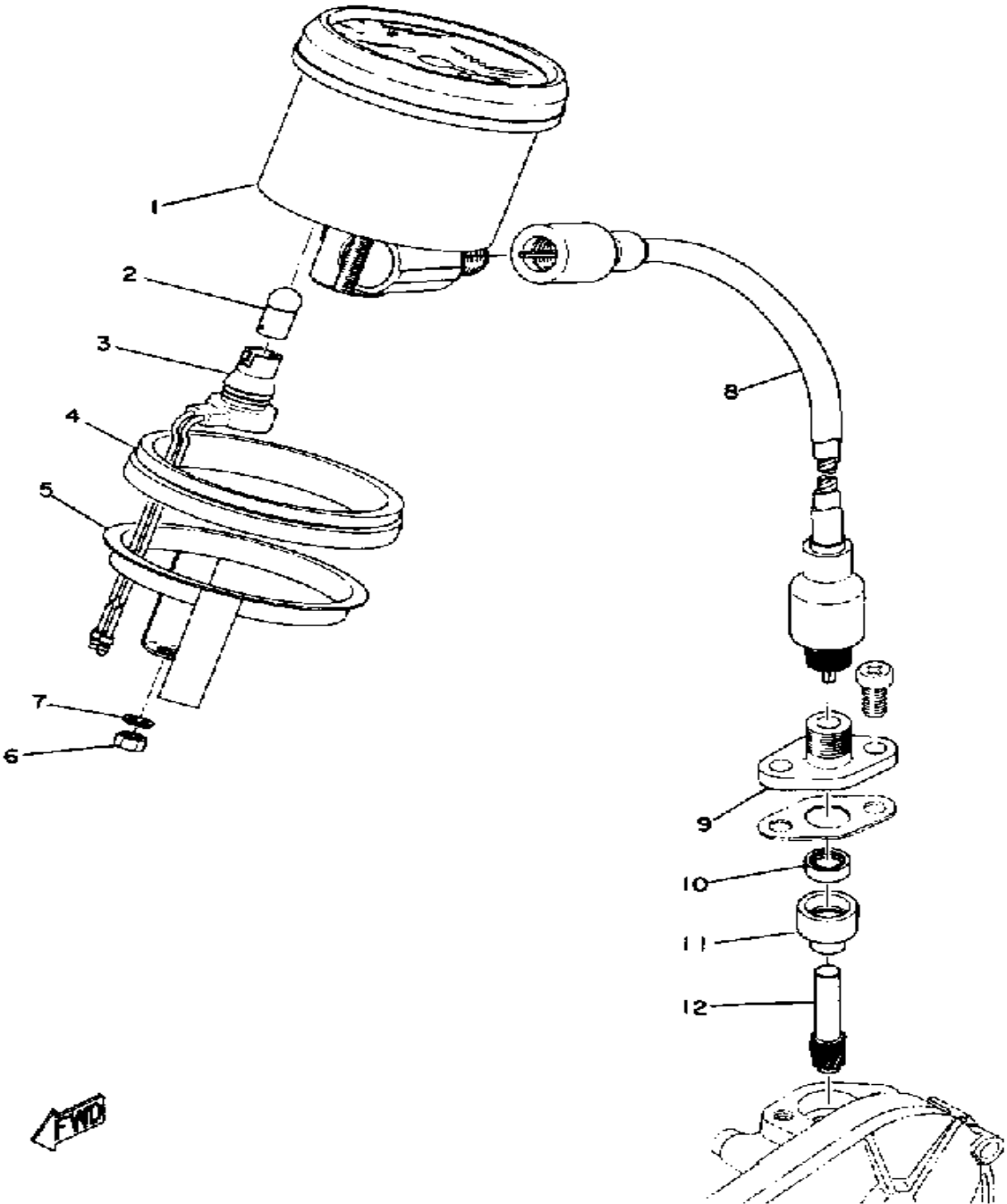
SPEEDOMETER UNIT



Ref. No.	Part Number	Description	Qty	Remarks
1	861-83510-41-00	SPEEDOMETER ASSEMBLY ..	1	
2	123-83516-21-00	. BULB (12V-3.4W)	1	
3	(861-83536-40-00)	SOCKET, METER	1	
4	861-83523-40-00	. DAMPER	1	
5	861-83514-00-00	. UNAVAILABLE IN PRICE BOOK	1	
6	95380-05600-00	. NUT	2	
7	92990-05100-00	. WASHER, SPRING	2	
8	839-83550-01-00	SPEEDOMETER CABLE	1	
9	8E3-47721-10-00	COVER, HOUSING	1	
10	98580-05012-00	SCREW, PAN HEAD	2	
11	810-47727-10-00	GASKET	1	
12	90380-08005-00	BUSH, SOLID	1	
13	810-47741-11-00	GEAR, DRIVEN (810-47741-10)	1	
14	(90380-08002-00)	BUSH, SOLID	2	
15	8E6-47711-10-00	HOUSING	1	
16	810-47717-10-00	SHIM	1	
17	810-47731-11-00	GEAR, DRIVE	1	
18	90381-10003-00	BUSH, SOLID	1	
19	853-47712-10-00	JOURNAL	1	
20	98701-04012-00	SCREW, FLAT HEAD	3	
21	93210-43141-00	O-RING	1	
22	97313-06016-00	BOLT, HEXAGON	2	

Property of www.SmallEngineDiscount.com - Not for Resale

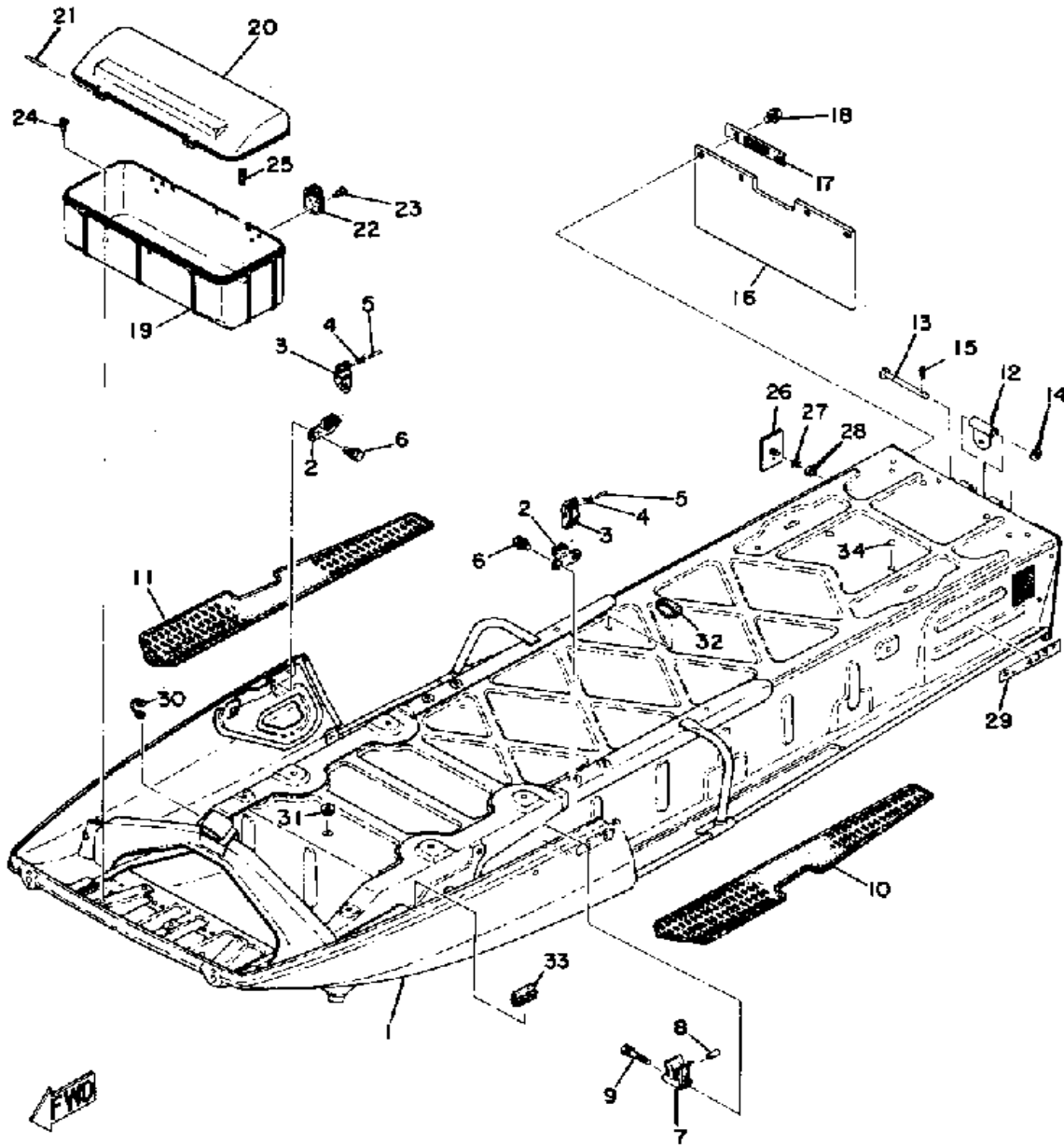
TACHOMETER UNIT



Ref. No.	Part Number	Description	Qty	Remarks
1	(ACC-01200-42-74)	TACHOMETER KIT	1	
2	123-83516-21-00	. BULB (12V-3.4W)	1	
3	(861-83536-40-00)	SOCKET, METER	1	
4	861-83523-40-00	. DAMPER	1	
5	861-83514-40-00	. PLATE, FITTING	1	
6	95380-05600-00	NUT	2	
7	92990-05100-00	. WASHER, SPRING	2	
8	843-83560-01-00	TACHOMETER CABLE (843-83560-00)	1	
9	821-17819-00-00	CAP, HOUSING	1	
10	93104-06033-00	OIL SEAL	1	
11	821-17843-00-00	BUSH, DRIVEN GEAR OUTER .	1	
12	813-17841-00-00	GEAR, DRIVEN (10T)	1	

Property of www.SmallEngineDiscount.com - Not for Resale

FRAME



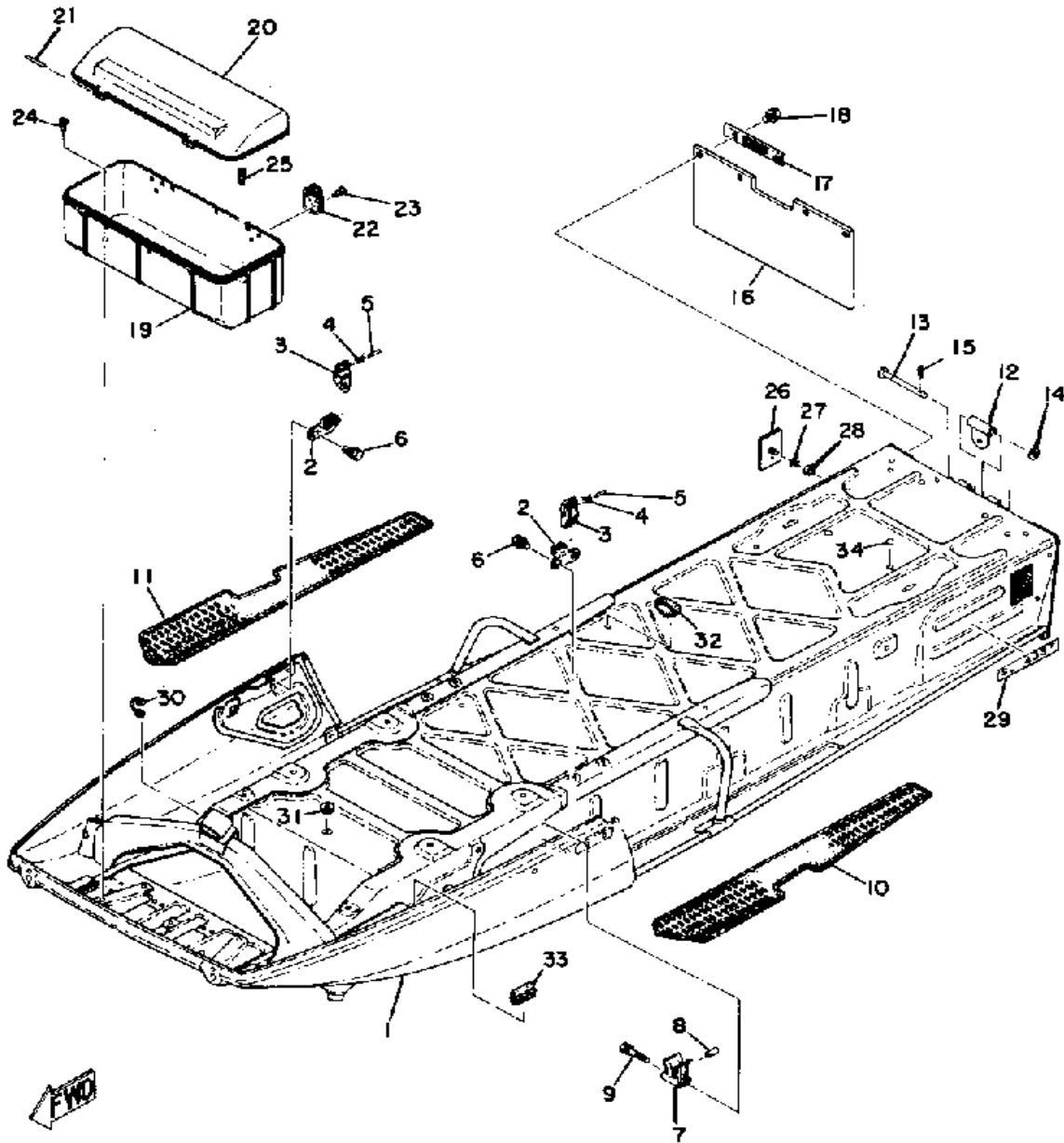
Ref. No.	Part Number	Description	Qty	Remarks
1	(865-21910-00-00)	FRAME	1	
2	(806-77172-00-00)	BODY, LATCH 2	2	
3	806-77173-00-00	. LEVER, LATCH 1	2	
4	90508-10012-00	. SPRING, TORSION	2	
5	90249-04068-00	. PIN, SPECL SHAPE	2	
6	97313-05016-00	BOLT, HEXAGON	4	
7	90464-09006-00	CLAMP	2	
8	821-77188-01-00	STOPPER	2	
9	97026-06045-00	BOLT	2	
10	878-27413-00-00	COVER, FOOTREST	1	
11	878-27423-00-00	COVER, FOOTREST	1	
12	802-77591-00-00	BRACKET, HITCH 1	1	
13	(91701-08102-00)	PIN, CLEVIS	1	
14	92990-08200-00	WASHER, PLAIN	1	
15	91401-25020-00	PIN, COTTER	1	
16	(802-77595-02-00)	FLAP	1	
17	(802-77593-00-00)	PLATE, FLAP 1	2	
18	97013-06012-00	BOLT	4	
19	841-77391-00-00	LUGGAGE BOX	1	
20	(8F6-77392-00-00)	COVER, LUGGAGE BOX	1	
21	90249-03021-00	PIN, SPEC'L SHAPE	2	
22	(822-77340-00-00)	LUGGE BOX LTCH ASSEMBLY	2	
23	98702-03008-00	SCREW, FLAT HEAD	6	
24	92906-06100-00	WASHER, SPRING	3	
	92906-06200-00	WASHER	3	
	98506-06014-00	SCREW, PAN HEAD (92506-06014)	3	
25	92906-06100-00	WASHER, SPRING	2	
	92906-06200-00	WASHER	2	

CONTINUED ON NEXT FRAME ►

Property of www.SmallEngineDiscount.com - Not for Resale

C7

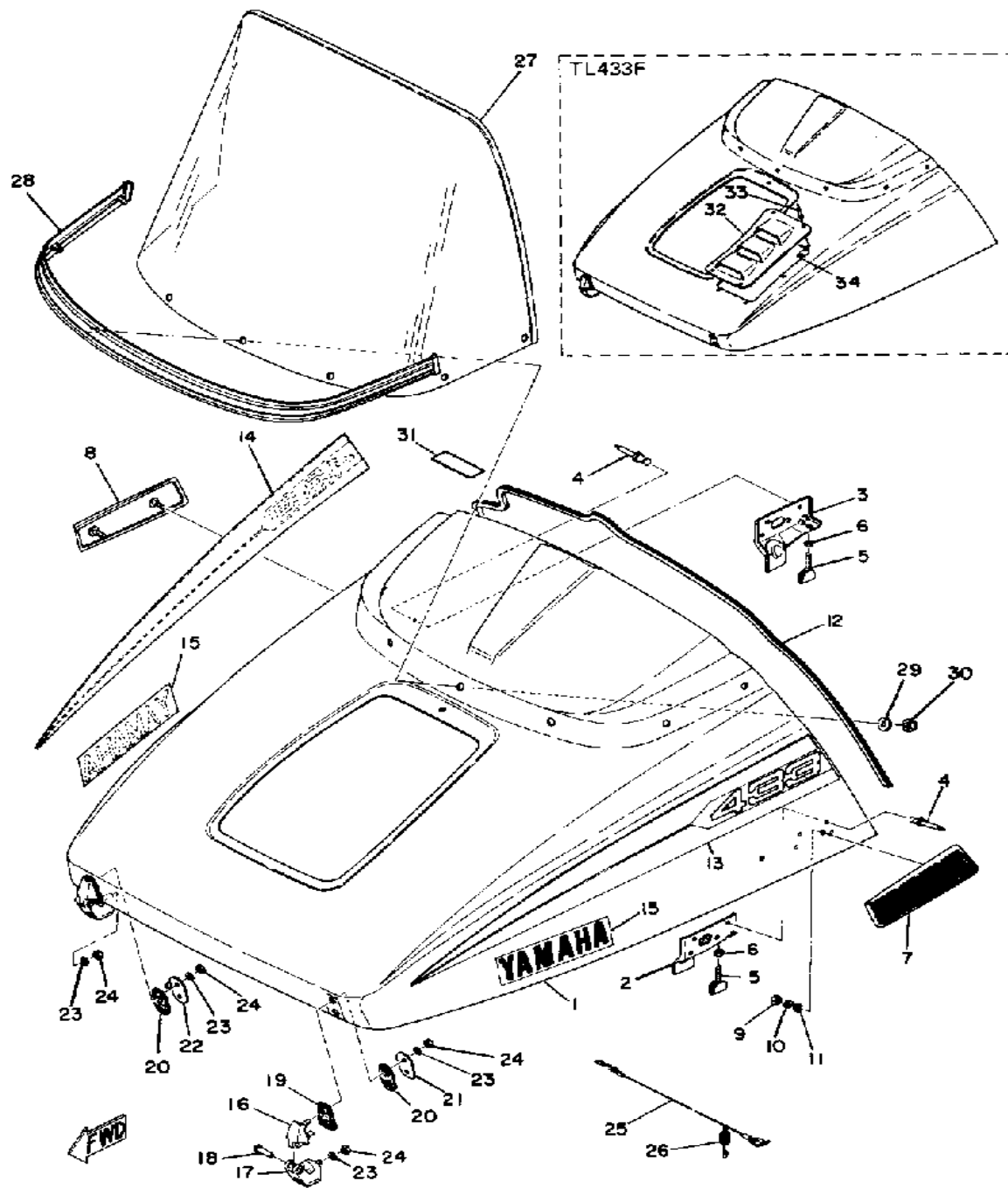
FRAME



Ref. No.	Part Number	Description	Qty	Remarks
25	98506-06025-00	SCREW, PAN HEAD	2	
26	(821-85131-00-00)	REFLECTOR, REAR 1	2	
27	92990-06200-00	WASHER	2	
28	95601-06100-00	NUT, U	2	
29	(874-77354-00-00)	EMBLEM 4	2	
30	(841-82591-00-00)	BAND	1	
31	810-77716-00-00	ORNAMENT, INSTRUMENT PANEL 2	1	
32	(90464-13008-00)	CLAMP	3	
33	(839-77161-00-00)	STRIP, WEATHER 1	4	
34	(867-21969-00-00)	COVER, NUT	2	
-1	806-77170-00-00	LATCH ASSEMBLY	2	
6-1	92990-05100-00	WASHER, SPRING	4	
9-1	92995-06100-00	WASHER, SPRING	2	
18-1	92995-06100-00	WASHER, SPRING	4	

Property of www.SmallEngineDiscount.com - Not for Resale

SHROUD

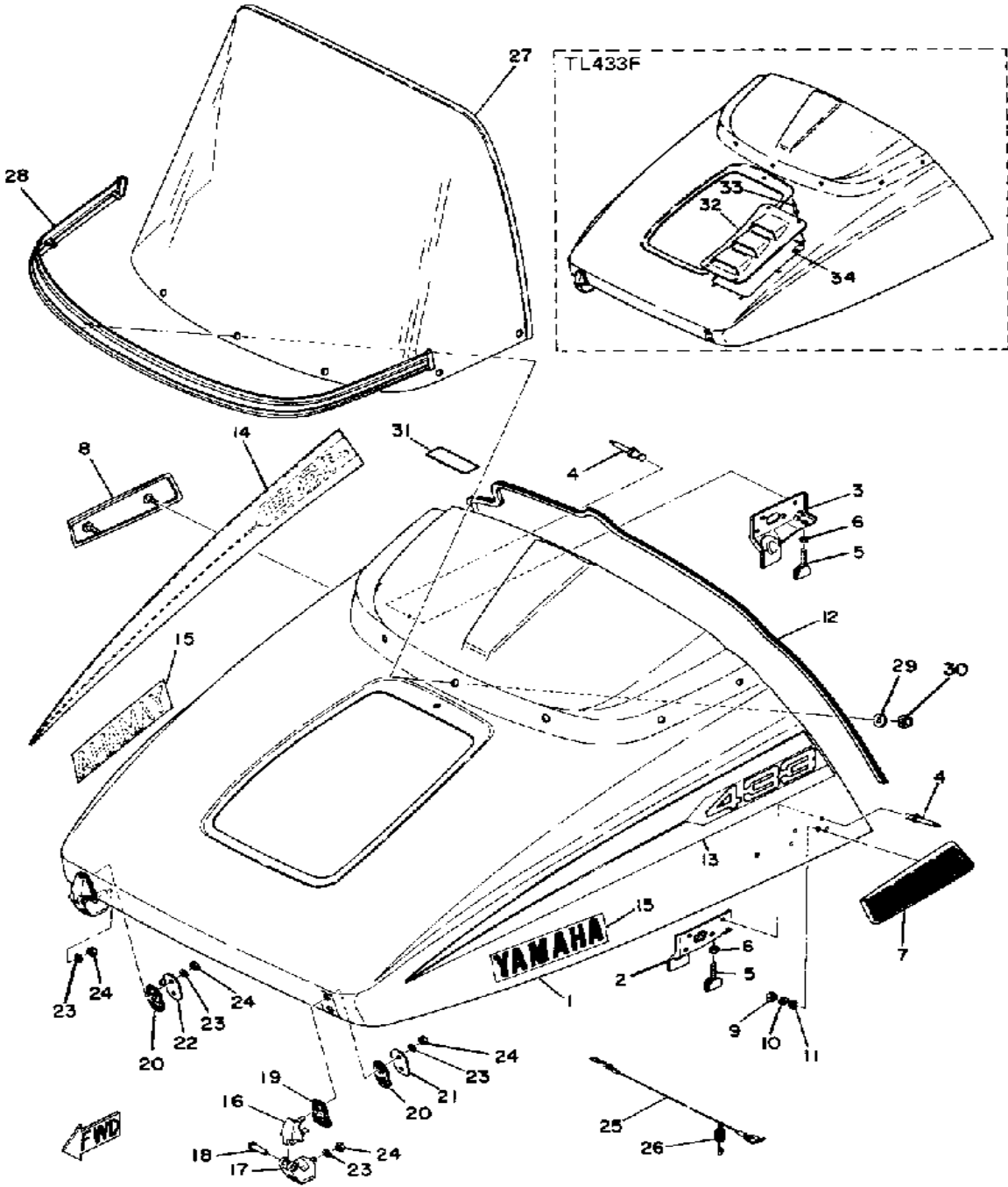


Ref. No.	Part Number	Description	Qty	Remarks
1	(874-77111-00-00)	SHROUD	1	
2	(841-77136-00-00)	CLAMP 2	1	
3	(841-77138-00-00)	CLAMP 4	1	
4	90267-40M00-00	RIVET, BLIND	8	
5	(841-77171-01-00)	BODY, LATCH 1	2	
6	95380-06600-00	NUT	2	
7	(838-77131-00-00)	LOUVER 1	1	
8	838-77132-00-00	LOUVER 2	1	
9	95380-05600-00	NUT	4	
10	92990-05100-00	WASHER, SPRING	4	
11	92990-05200-00	WASHER, PLAIN	4	
12	(841-77166-00-00)	TRIM 2	1	
13	861-77163-00-00	NO LONGER AVAILABLE	1	
14	(861-77164-00-00)	ORNAMENT 2	1	
15	(863-77357-00-00)	EMBLEM 7	2	
16	(841-77140-00-00)	HINGEASSEMBLY	2	
17	(841-77147-00-00)	HINGE 3	2	
18	90243-05003-00	PIN	2	
19	(841-77198-00-00)	DAMPER 1	2	
20	841-77199-00-00	DAMPER 2	2	
21	(841-77153-00-00)	PLATE, BACK UP 1	1	
22	(841-77154-00-00)	PLATE, BACK UP 2	1	
23	92995-06100-00	WASHER, SPRING	6	
24	95380-06600-00	NUT	6	
25	8E4-77118-00-00	STOPPER, SHROUD	1	
26	838-77159-00-00	. CLAMP, ROD	1	
27	(861-77210-00-00)	WINDSHIELD	1	
28	(8A1-77220-00-00)	TRIM LOWER ASSEMBLY	1	
29	90201-05036-00	WASHER, PLATE	7	

CONTINUED ON NEXT FRAME ➤

Property of www.SmallEngineDiscount.com - Not for Resale

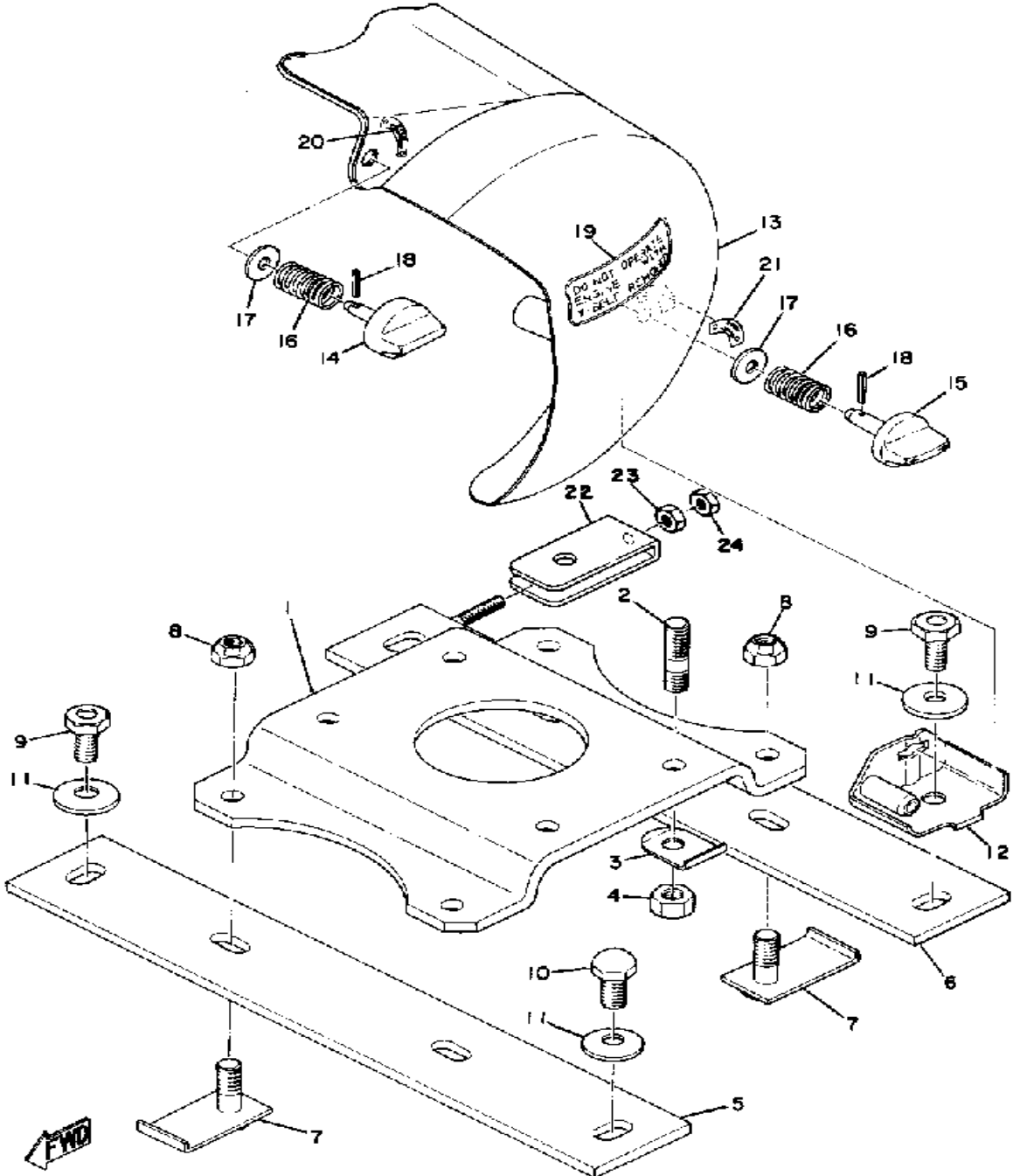
SHROUD



Ref. No.	Part Number	Description	Qty	Remarks
30	90185-05028-00	NUT, SELF-LOCKING	7	
31	288-21659-00-00	LABEL, SAFETY	1	
32	(874-77134-00-00)	LOUVER 4	1	
33	90267-32070-00	RIVET, BLIND	6	
34	90201-03313-00	WASHER, PLATE	6	

Property of www.SmallEngineDiscount.com - Not for Resale

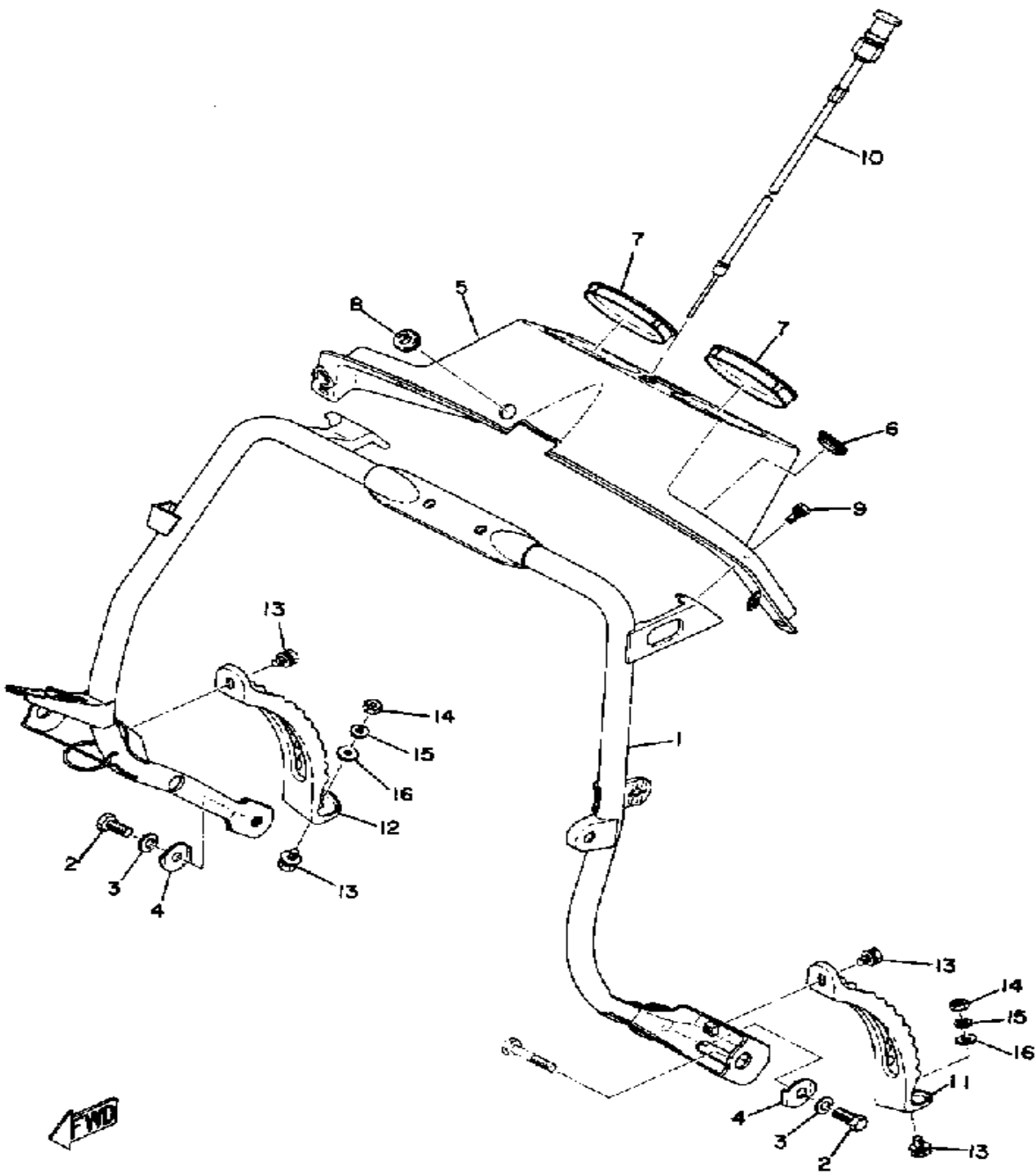
ENGINE BRACKET



Ref. No.	Part Number	Description	Qty	Remarks
1	(838-21411-01-00)	BRACKET, ENGINE 1	1	
2	(90116-10084-00)	BOLT, STUD	4	
3	(90215-10076-00)	WASHER, LOCK	4	
4	95311-10600-00	NUT	4	
5	(841-21419-00-00)	BRACKET, ENGINE 2	1	
6	(874-21419-00-00)	BRACKET, ENGINE 2	1	
7	(829-21482-00-00)	BOLT, ENG MNTNG 2	4	
8	90185-10030-00	NUT, SELF-LOCKING	4	
9	(90106-10015-00)	BOLT, DOME HEAD	1	
10	(90101-10057-00)	BOLT	2	
11	90208-10013-00	WASHER, CONICAL SPR	4	
12	844-77315-00-00	BRACKET 1	1	
13	(841-77311-00-00)	GUARD, DRIVE	1	
14	(829-77324-00-00)	KNOB	1	
15	(853-77324-00-00)	KNOB	1	
16	90501-16103-00	SPRING, COMPRESSION	2	
17	90201-08104-00	WASHER, PLATE	2	
18	91609-40018-00	PIN, SPRING	2	
19	(829-77365-00-00)	EMBLEM 0	1	
20	(829-77366-00-00)	EMBLEM 1	1	
21	(829-77367-00-00)	EMBLEM 2	1	
22	(834-21475-00-00)	PLATE, ENGINE ADJUSTING	2	
23	95380-06600-00	NUT	2	
24	95380-06700-00	NUT	2	

Property of www.SmallEngineDiscount.com - Not for Resale

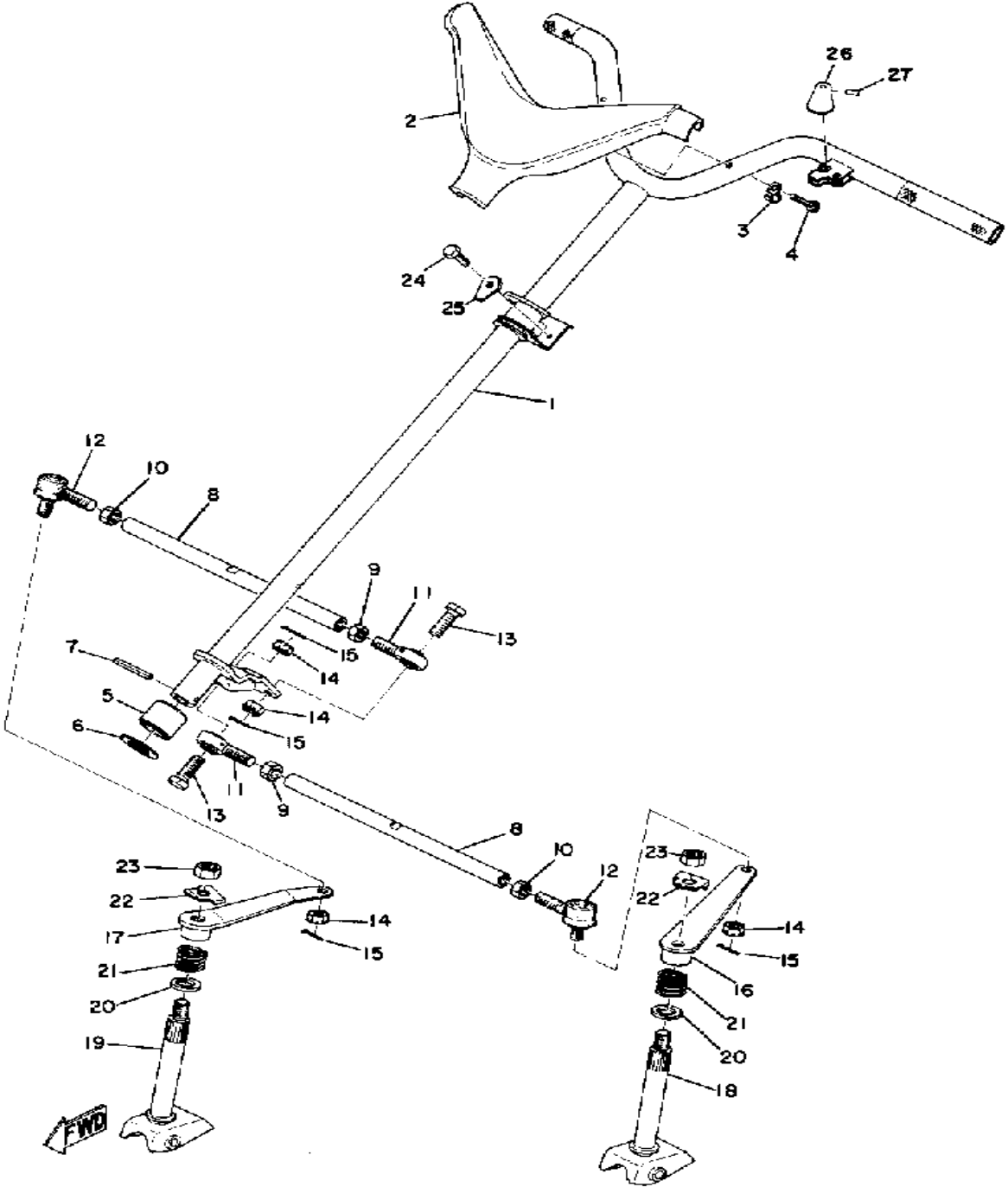
STEERING GATE



Ref. No.	Part Number	Description	Qty	Remarks
1	(874-23870-00-00)	STEERING GATE	1	
2	97026-08018-00	BOLT	2	
3	90201-08624-00	WASHER, PLATE	2	
4	(861-23895-00-00)	WASHER, LOCK 2	2	
5	(874-77711-00-00)	PANEL, INSTRUMENT	1	
6	(841-77746-00-00)	GROMMET	1	
7	(861-77715-00-00)	ORMNT, INSTR PNL 1	2	
8	90480-13018-00	GROMMET	1	
9	(97306-05012-00)	BOLT, HEXAGON	1	
	92906-05100-00	WASHER, SPRING	1	
	92906-06200-00	WASHER	1	
10	841-26331-00-00	CABLE, STARTER 1	1	
11	(841-27411-00-00)	FOOTREST 1	1	
12	(841-27421-00-00)	FOOTREST 2	1	
13	92990-06200-00	WASHER	2	
	92995-06100-00	WASHER, SPRING	2	
	97313-06016-00	BOLT, HEXAGON	4	
14	95380-06600-00	NUT	2	
15	92995-06100-00	WASHER, SPRING	2	
16	92990-06200-00	WASHER	2	

Property of www.SmallEngineDiscount.com - Not for Resale

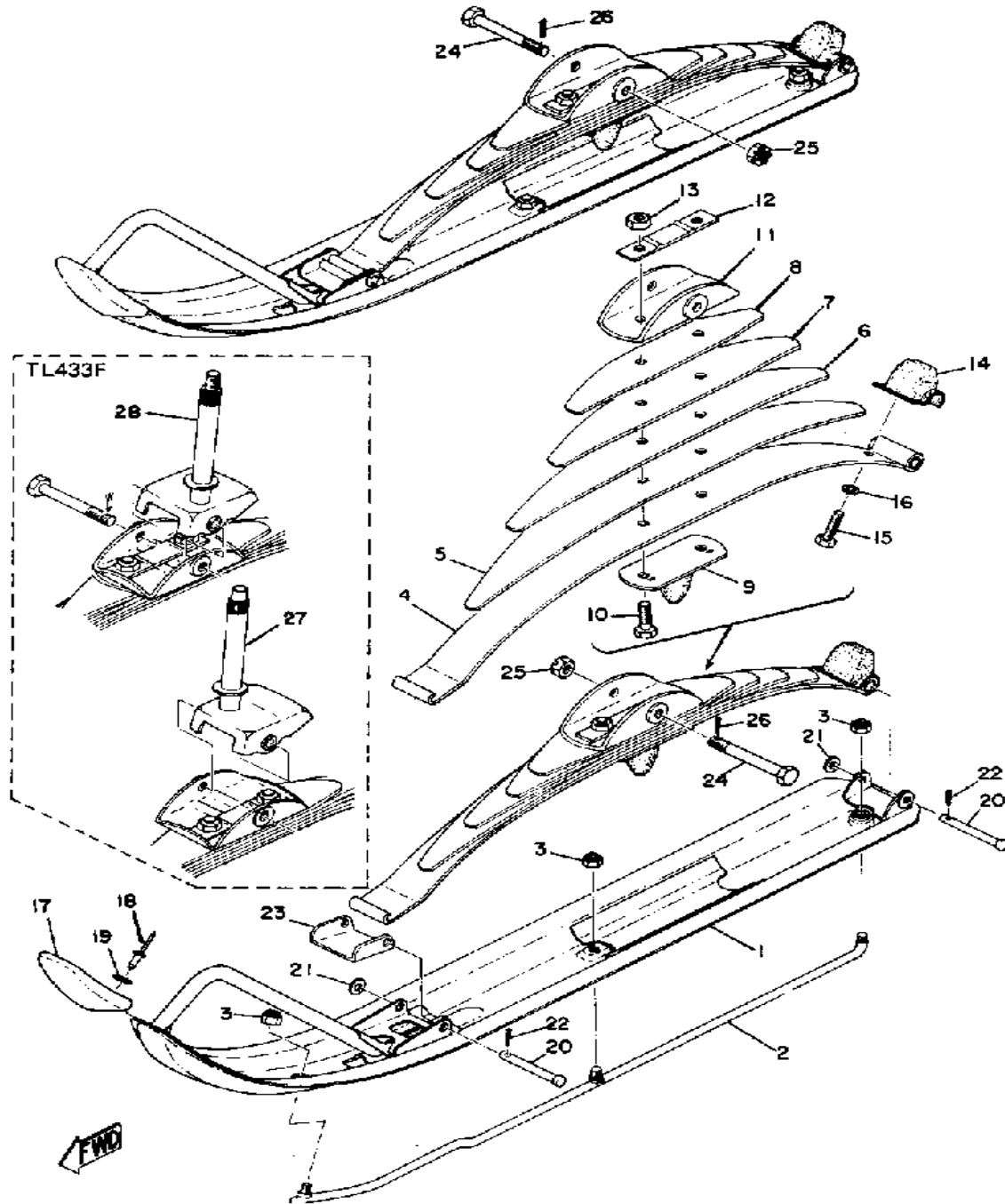
STEERING



Ref. No.	Part Number	Description	Qty	Remarks
1	(861-23810-01-00)	STRG COLUMN ASSEMBLY ..	1	
2	(863-23815-01-00)	PAD, STEERING	1	
3	(90462-08003-00)	CLAMP	2	
4	92990-05100-00	WASHER, SPRING	2	
	98501-05035-00	SCREW, PAN HEAD	2	
5	(806-23875-00-00)	BEARING, STRG LOWER	1	
6	(841-23812-01-00)	BEARING, STEERING	1	
7	91609-60045-00	PIN, SPRING	1	
8	(861-23821-00-00)	ROD, STEERING RELAY	2	
9	90170-12055-00	NUT	2	
10	90170-12054-00	NUT	2	
11	861-23841-00-00	JOINT, UNIVERSAL 1	2	
12	(821-23845-90-00)	JOINT, UNIVERSAL 2	2	
13	(90109-10170-00)	BOLT	2	
14	95306-10900-00	NUT, SLOTTED	4	
15	91401-25030-00	PIN, COTTER	4	
16	861-23851-01-00	ARM, OUTSIDE 1	1	
17	861-23852-01-00	ARM, OUTSIDE 2	1	
18	861-23853-00-00	COLUMN, SKI 1	1	
19	861-23854-00-00	COLUMN, SKI 2	1	
20	90560-20037-00	SPACER	2	
21	90501-35154-00	SPRING, COMPRESSION	2	
22	90215-12031-00	WASHER, LOCK (810-23857-00)	2	
23	90170-12175-00	NUT	2	
24	97011-06020-00	BOLT	2	
25	(90215-06038-00)	WASHER, LOCK	2	
26	(803-83965-00-00)	LEVER, LOCK	1	
27	(90249-04022-00)	PIN, SPEC'L SHAPE	1	

Property of www.SmallEngineDiscount.com - Not for Resale

SKI

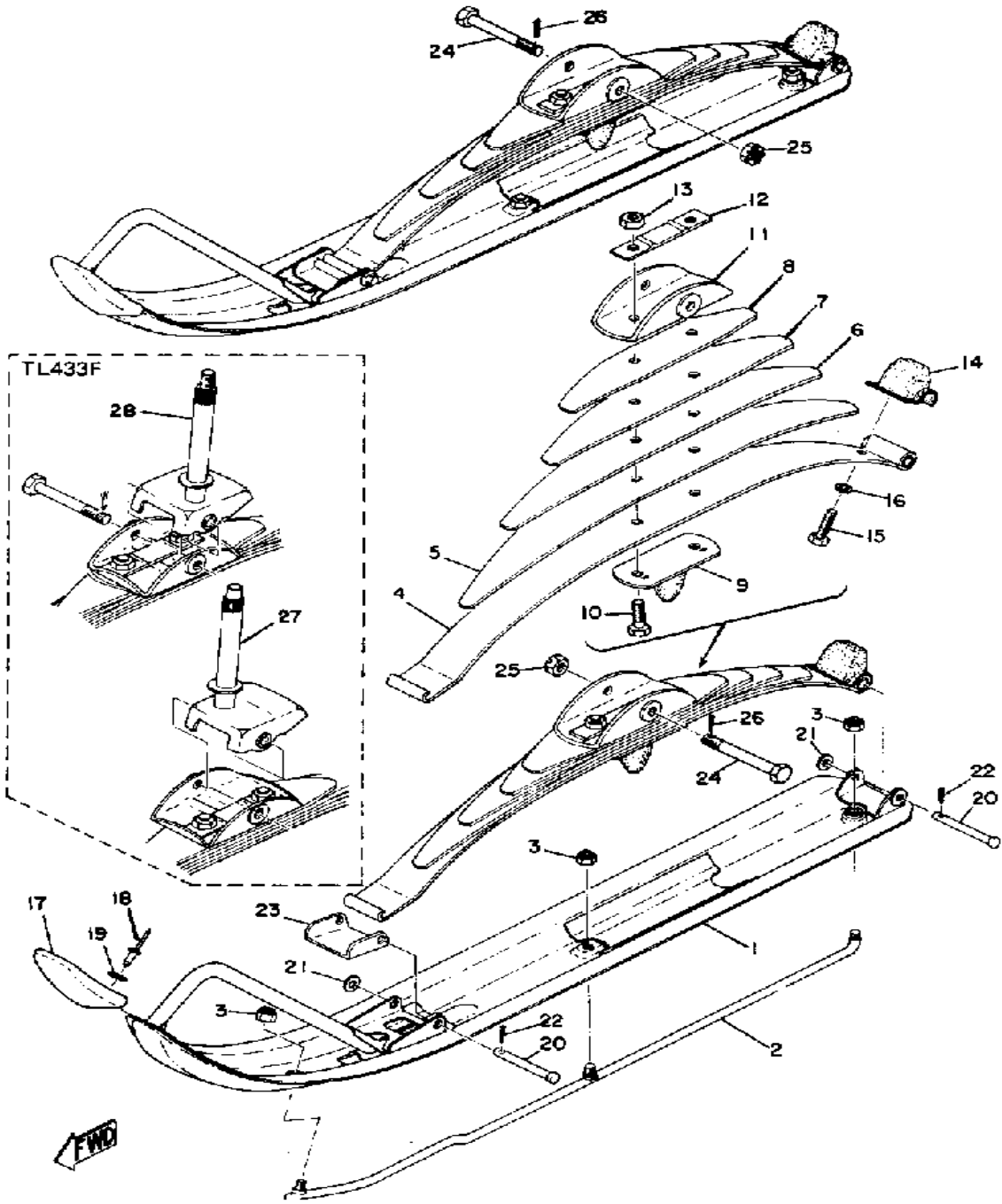


Ref. No.	Part Number	Description	Qty	Remarks
1	(863-23710-00-00)	SKI 1	2	
2	863-23731-02-00	RUNNER 1	2	
3	90185-08089-00	NUT, SELF-LOCKING	4	
4	(865-23761-00-00)	LEAF 1	2	
5	865-23762-00-00	. LEAF 2	2	
6	865-23763-00-00	. LEAF 3	2	
7	(865-23764-00-00)	LEAF 4	2	
8	865-23771-00-00	. LEAF 5	2	
9	878-23768-00-00	. SEAT, SPRING 1	2	
10	90101-10060-00	. BOLT	4	
11	(841-23766-00-00)	SADDLE 1	2	
12	(90209-10037-00)	WASHER, SPEC'L SHAP	2	
13	95336-10600-00	. NUT	4	
14	(841-23743-01-00)	STOPPER 1	2	
15	90102-10009-00	. BOLT, WITH HOLE	2	
16	92995-06100-00	. WASHER, SPRING	2	
17	(863-23747-00-00)	PROTECTOR, SKI	2	
18	(90267-40030-00)	RIVET, BLIND	4	
19	90201-04023-00	WASHER, PLATE	4	
20	90240-08035-00	PIN, CLEVIS (801-23733-00)	4	
21	92906-08200-00	WASHER	4	
22	91401-30020-00	PIN, COTTER	4	
23	802-23735-00-00	PLATE, WEAR 1	2	
24	90102-10023-00	BOLT, WITH HOLE	2	
25	95306-10900-00	NUT, SLOTTED	2	
26	91490-20025-00	PIN, SPLIT	2	
27	(874-23853-00-00)	COLUMN, SKI 1	1	
28	891-21811-00-00	TANK, TQ/CONV OIL	1	
-1	(874-23760-00-00)	SPRING ASSEMBLY 1	1	

CONTINUED ON NEXT FRAME ►

Property of www.SmallEngineDiscount.com - Not for Resale

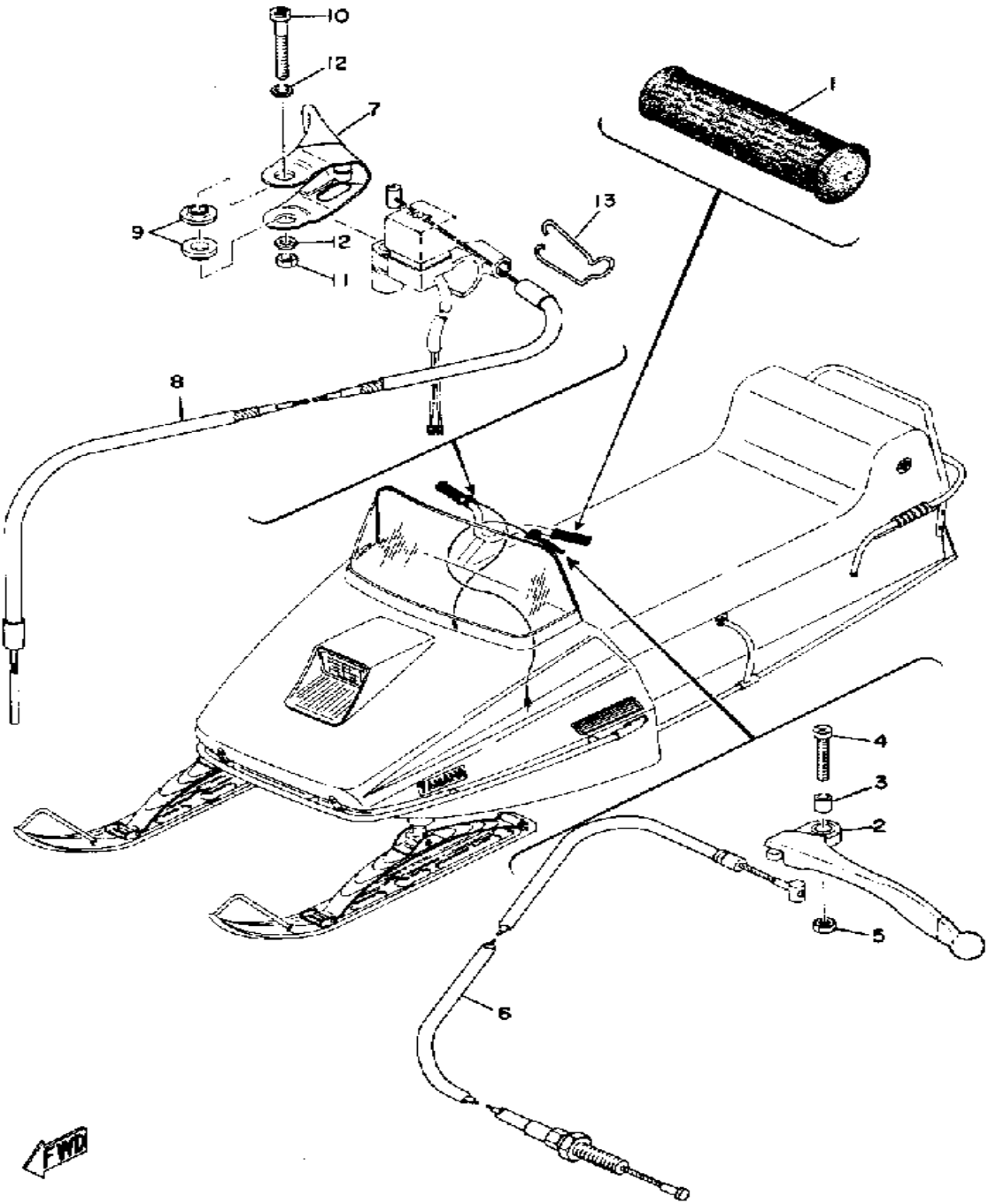
SKI



Ref. No.	Part Number	Description	Qty	Remarks
-2	(874-23770-00-00)	SPRING ASSEMBLY 2	1	
3-1	90185-08055-00	NUT, SELF-LOCKING	2	

Property of www.SmallEngineDiscount.com - Not for Resale

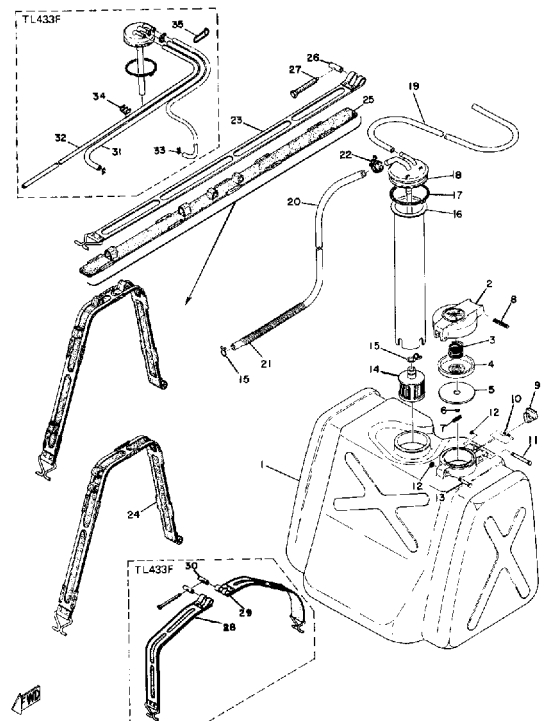
GRIP - WIRING



Ref. No.	Part Number	Description	Qty	Remarks
1	801-26241-01-00	GRIP	2	
2	803-83912-00-38	LEVER 1	1	
3	802-83913-00-00	COLLAR, LEVER 1	1	
4	90157-05006-00	SCREW, PAN HEAD (803-83915-00)	1	
5	95311-05700-00	NUT	1	
6	861-26340-02-00	CABLE, BRAKE	1	
7	99999-01028-00	THROTTLE LEVER	1	
8	863-26311-03-00	CABLE THROTTLE 1	1	
9	90387-062M9-00	COLLAR	2	
10	90157-06004-00	SCREW, PAN HEAD (810-83925-00)	1	
11	95380-06700-00	NUT	1	
12	92990-06200-00	WASHER	2	
13	90468-10017-00	CLIP (821-26391-00)	1	

Property of www.SmallEngineDiscount.com - Not for Resale

FUEL TANK

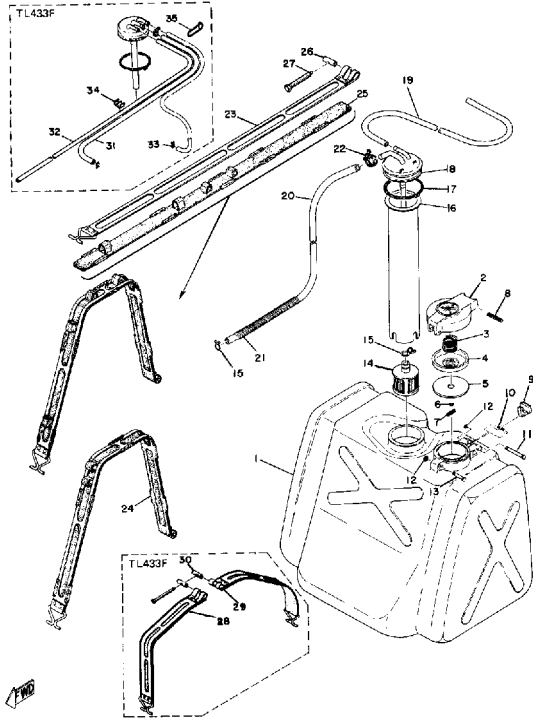


Ref. No.	Part Number	Description	Qty	Remarks
1	865-24111-00-00	FUEL TANK	1	
2	813-24611-01-00	BODY, CAP	1	
3	256-24612-00-00	GASKET, CAP	1	
4	813-24613-01-00	DISC, CAP	1	
5	256-24612-00-00	GASKET, CAP	1	
6	93210-04122-00	O-RING	1	
7	91609-30016-00	PIN, SPRING	1	
8	91609-25032-00	PIN, SPRING	1	
9	83M-24628-00-00	HOOK	1	
10	90508-08003-00	SPRING, TORSION (813-24637-00)	1	
11	90249-03017-00	PIN	1	
12	93430-02001-00	CIRCLIP	2	
13	90249-03016-00	PIN, SPEC'L SHAPE	1	
14	8H5-24560-00-00	FILTER ASSEMBLY	1	
15	90467-11009-00	CLIP	2	
16	865-24336-00-00	PIPE, SUCTION 2	1	
17	90506-06065-00	SPRING, TENSION	1	
18	(865-24335-00-00)	PIPE, SUCTION 1	1	
19	90446-09013-00	HOSE (90446-09079)	1	
20	90446-11040-00	HOSE	1	
21	806-24328-00-00	PROTECTOR, PIPE	1	
22	90460-11002-00	CLAMP, HOSE	1	
23	838-24173-00-00	BAND, TNK FITTING 1	2	
24	(838-24183-00-00)	DAMPER, LOCATING 3	1	
25	(838-24184-00-00)	DAMPER, LOCATING 4	1	
26	806-24135-00-00	CLAMP 1	2	
27	90149-05006-00	SCREW, SPEC'L SHAPE (821-24176-00)	2	

CONTINUED ON NEXT FRAME ►

Property of www.SmallEngineDiscount.com - Not for Resale

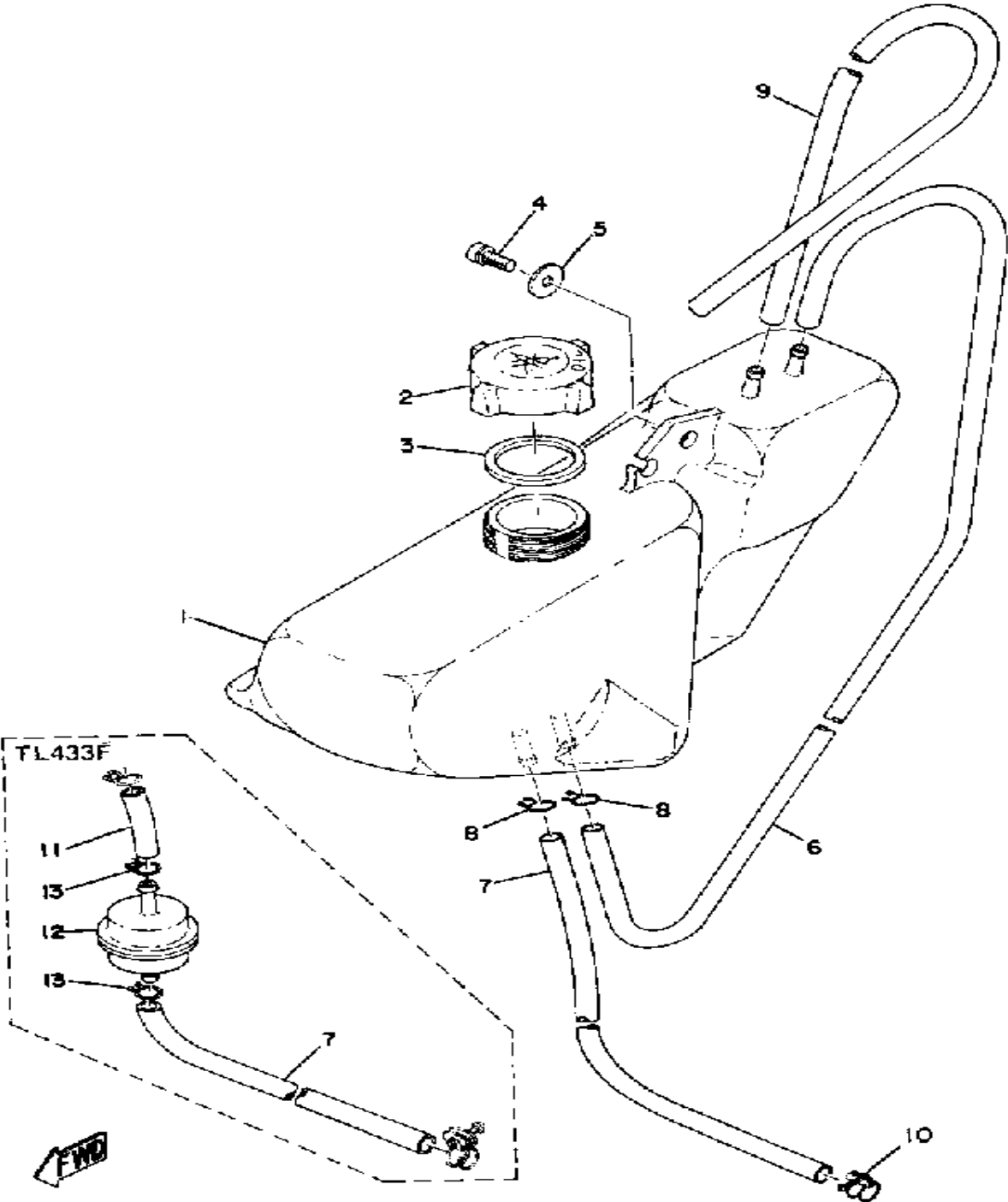
FUEL TANK



Ref. No.	Part Number	Description	Qty	Remarks
28	865-24173-00-00	BAND, TNK FITTING 1	1	
29	(865-24199-00-00)	BAND, TNK FITTING 2	1	
30	90179-05030-00	NUT, SPEC'L SHAPE (806-24146-00)	1	
31	807-24312-00-00	PIPE 2	1	
32	90446-09057-00	HOSE	1	
33	90460-09001-00	CLAMP, HOSE	1	
34	90468-15020-00	CLIP	1	
35	(90465-11025-00)	CLAMP	1	

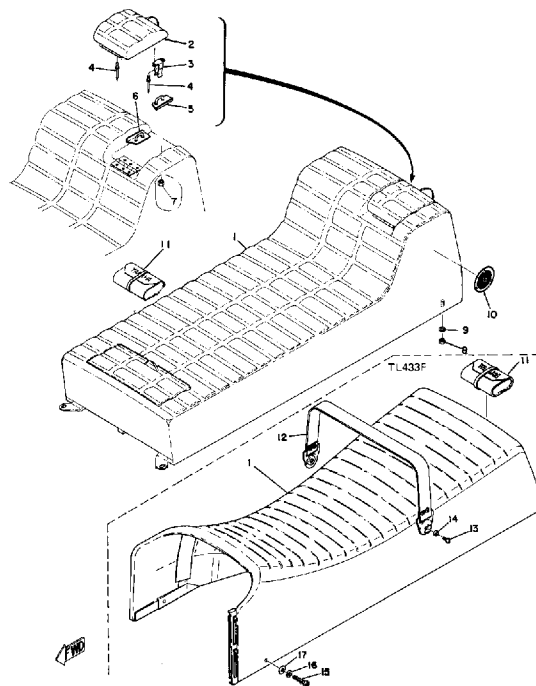
Property of www.SmallEngineDiscount.com - Not for Resale

OIL TANK



Ref. No.	Part Number	Description	Qty	Remarks
1	867-21751-00-00	TANK, OIL	1	
2	863-21771-00-00	BODY, CAP	1	
3	90430-31003-00	GASKET	1	
4	(97601-05115-00)	SCREW, PN/HD.W/WSHR	1	
5	90201-05036-00	WASHER, PLATE	1	
6	841-21792-00-00	GAUGE, OIL	1	
7	90446-09051-00	HOSE (806-24319-00)	1	
8	90467-09005-00	CLIP, SCISSOR	2	
9	90446-09092-00	HOSE	1	
10	90460-09001-00	CLAMP, HOSE	1	
11	90446-09052-00	HOSE	1	
12	J10-13410-00-00	STRAINER HSNG ASSEMBLY	1	
13	90467-09005-00	CLIP, SCISSOR	2	

Property of www.SmallEngineDiscount.com - Not for Resale

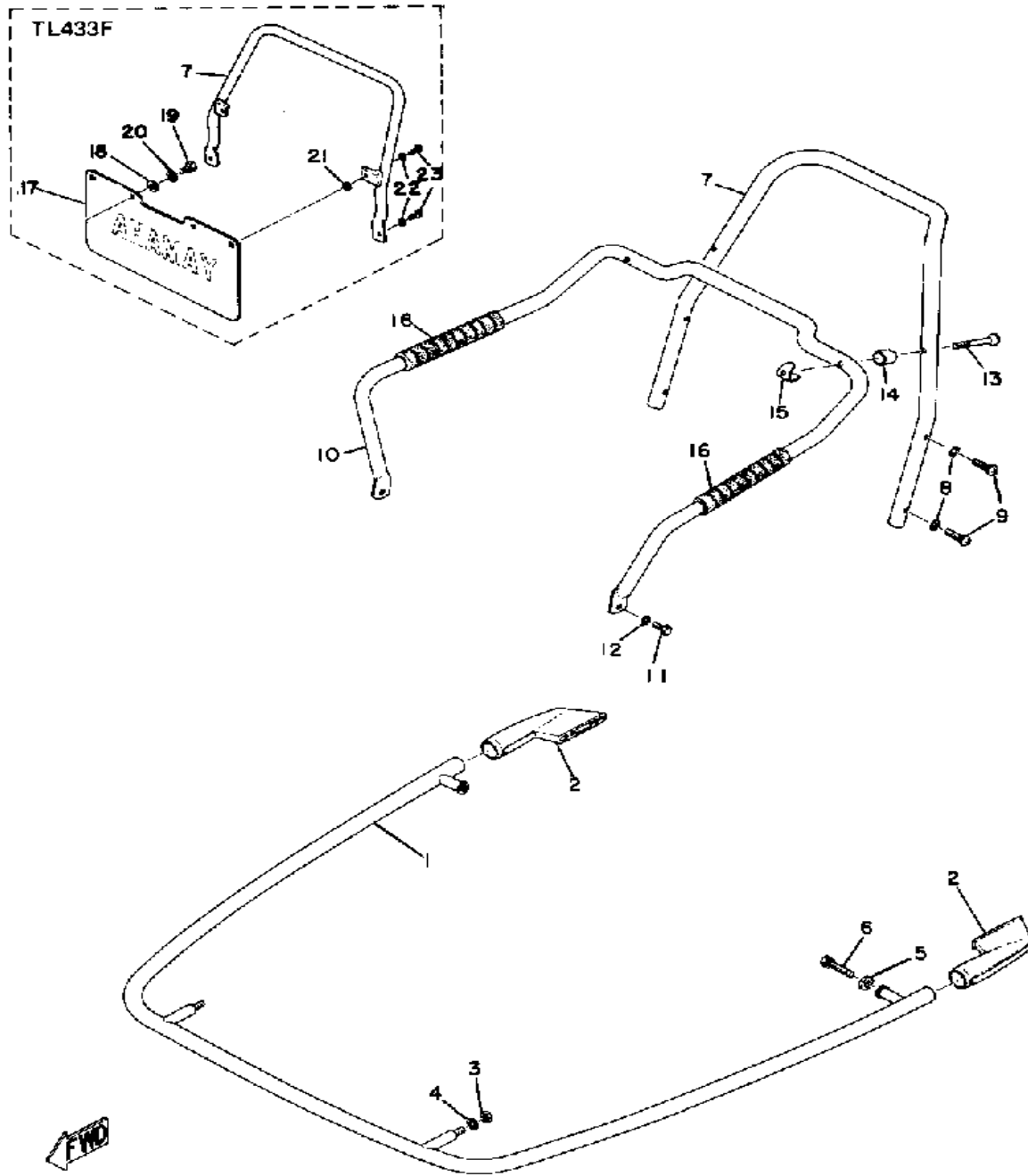


SEAT

Ref. No.	Part Number	Description	Qty	Remarks
1	(865-24730-00-00)	DOUBLE SEAT ASSEMBLY ...	1	
2	(861-24765-00-00)	LID, DOUBLE SEAT	1	
3	(821-24794-00-00)	SPRING, SEAT BACK	2	
4	(90267-32017-00)	RIVET, BLIND	7	
5	(838-24793-00-00)	PIN	1	
6	(838-24784-00-00)	PIN	1	
7	95380-06700-00	. NUT	4	
8	90185-08089-00	NUT, SELF-LOCKING	2	
9	92906-08200-00	WASHER	2	
10	821-77352-00-00	EMBLEM 2	2	
11	(865-28100-10-00)	TOOL KIT	1	
12	867-24734-00-00	BAND, SEAT	1	
13	98903-08012-00	SCREW, BIND	2	
14	700-48183-10-00	COLLAR 3	2	
15	98906-06035-00	SCREW, BIND	2	
16	92906-06100-00	WASHER, SPRING	2	
17	90201-06059-00	WASHER, PLATE	2	
1-1	865-24731-00-00	. COVER, DOUBLE SEAT	1	

Property of www.SmallEngineDiscount.com - Not for Resale

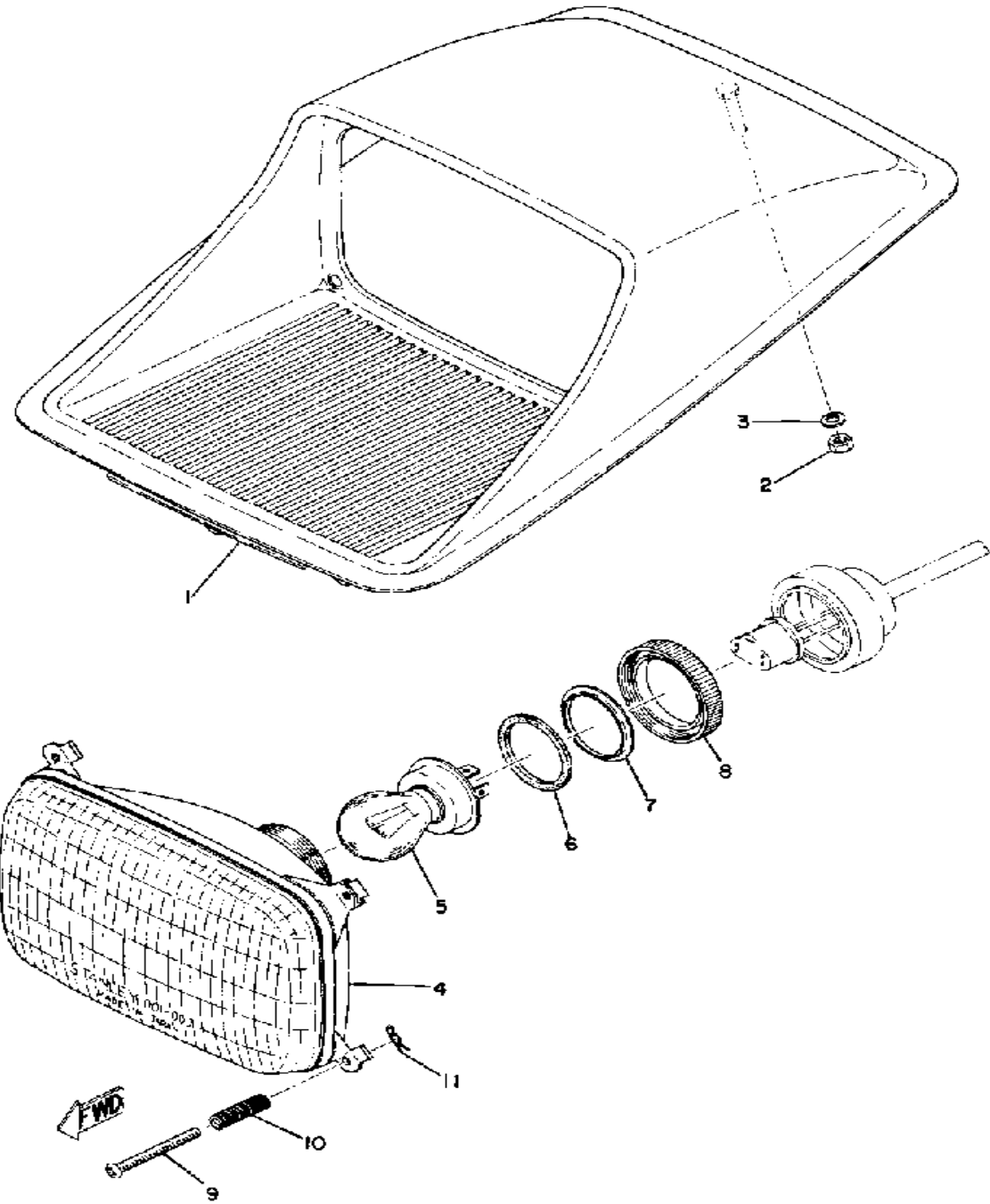
BUMPER



Ref. No.	Part Number	Description	Qty	Remarks
1	841-77510-00-00	FRONT BUMPER	1	
2	838-77523-00-00	END, BUMPER	2	
3	90179-08288-00	NUT, SPEC'L SHAPE	2	
4	92990-08100-00	WASHER	2	
5	(90201-08456-00)	WASHER, PLATE	2	
6	92906-08100-00	WASHER, SPRING	2	
	97306-08040-00	BOLT, HEXAGON	2	
7	(865-77541-00-00)	BUMPER, REAR 1	1	
8	92990-06500-00	WASHER	4	
9	98780-06030-00	SCREW, FLAT HEAD	4	
10	841-77571-00-00	GRIP, ASSIST 1	1	
11	97013-06012-00	BOLT	2	
12	92995-06100-00	WASHER, SPRING	2	
13	90149-06054-00	SCREW, SPEC'L SHAPE	2	
14	(806-77515-00-00)	BUSH, RUBBER 1	2	
15	806-77573-00-00	NUT, SPECIAL	2	
16	838-77575-00-00	COVER, ASSIST GRIP	2	
17	865-77595-00-00	FLAP	1	
18	90201-06697-00	WASHER, PLATE	2	
19	97001-06018-00	BOLT	2	
20	92995-06100-00	WASHER, SPRING	2	
21	90387-06022-00	COLLAR	2	
22	92995-06100-00	WASHER, SPRING	4	
23	97001-06018-00	BOLT	4	

Property of www.SmallEngineDiscount.com - Not for Resale

HEAD LAMP

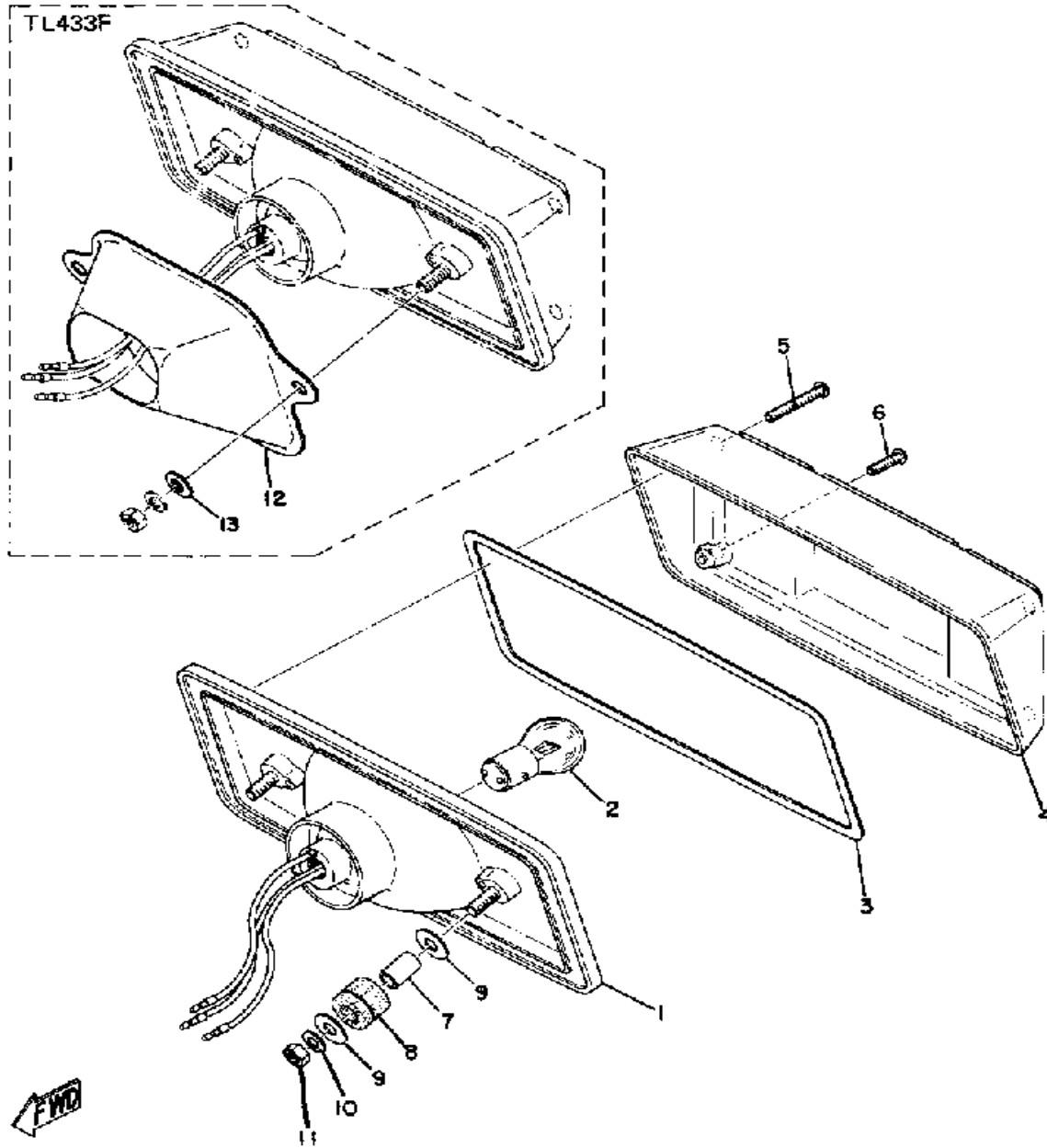


Ref. No.	Part Number	Description	Qty	Remarks
1	(861-84311-00-00)	BODY, HEADLIGHT	1	
2	95306-05600-00	NUT	1	
3	92906-05100-00	WASHER, SPRING	1	
4	(838-84320-01-00)	LENS ASSEMBLY	1	FOR USA
5	838-84314-00-00	. BULB, HEADLIGHT	1	
6	838-84327-00-00	. WASHER, SPECIAL	1	
7	838-84328-00-00	. SPACER	1	
8	838-84317-00-00	. NUT	1	
9	8M6-84331-00-00	. SCREW, RIM ADJUSTING (8A5-84331-00-00)	4	
10	8A5-84332-00-00	. SPRING, SCREW	4	
11	(807-84351-00-00)	CLAMP, CORD	4	
-1	(838-84320-01-00)	LENS ASSEMBLY	1	FOR USA

Property of www.SmallEngineDiscount.com - Not for Resale

D10

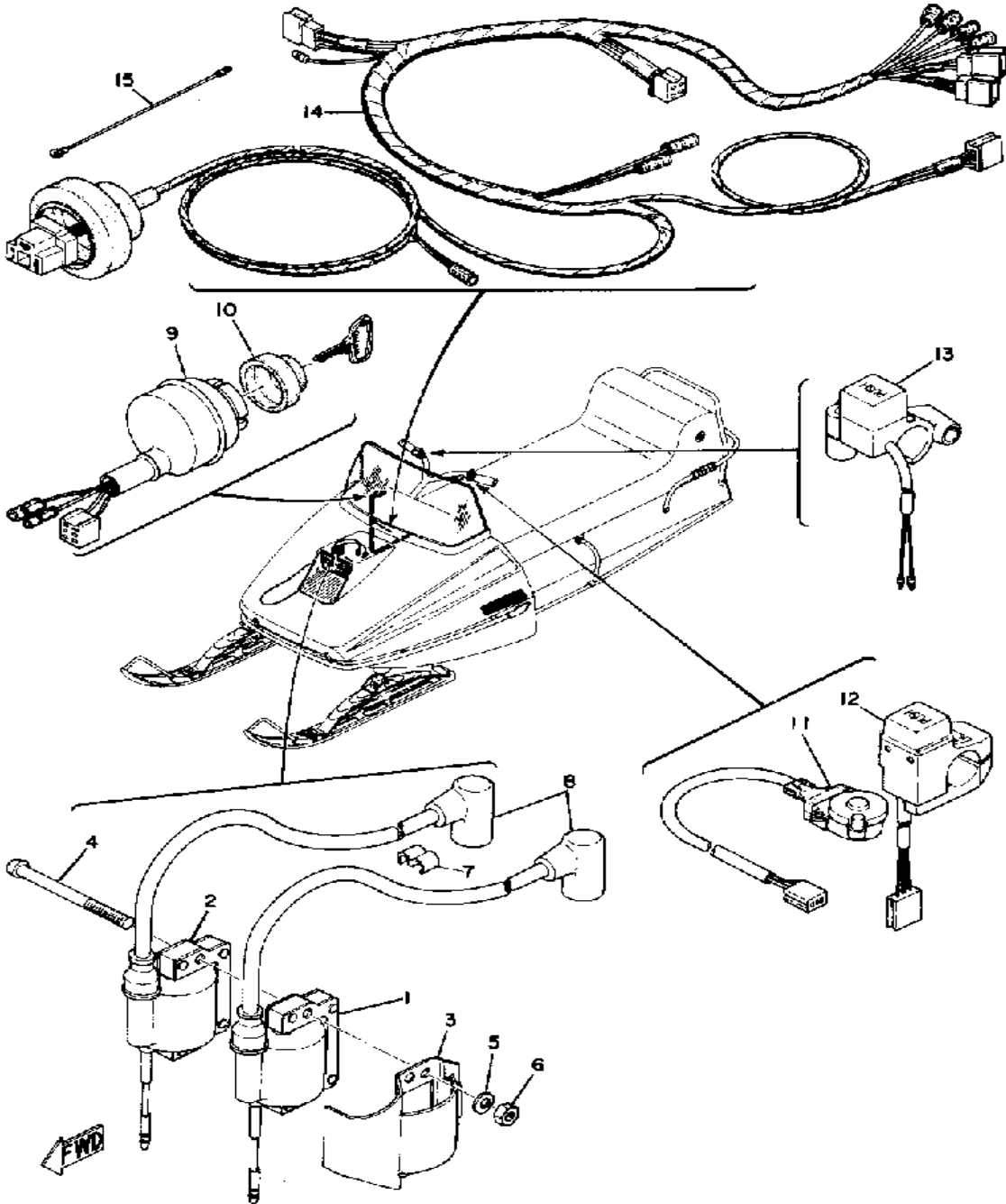
TAIL LAMP



Ref. No.	Part Number	Description	Qty	Remarks
1	853-84710-00-00	. TAILLIGHT UNIT ASSEMBLY .	1	
2	137-84714-61-00	. BULB, TL 12V23/8W (J50-83311-00)	1	
3	821-84712-00-00	. SEAT, BASE	1	
4	821-84721-00-00	. LENS, TAILLIGHT	1	
5	98511-04030-00	. SCREW, PAN HEAD	2	
6	98503-04014-00	. SCREW, PAN HEAD	2	
7	90387-06553-00	COLLAR	2	
8	(90480-14076-00)	GROMMET	2	
9	90201-06057-00	WASHER, PLATE	4	
10	92995-06100-00	WASHER, SPRING	2	
11	95380-06600-00	NUT	2	
12	(853-24796-00-00)	COVER	1	
13	92990-06200-00	WASHER	2	
-1	853-84710-00-00	TAILLIGHT UNIT ASSEMBLY . .	1	

Property of www.SmallEngineDiscount.com - Not for Resale

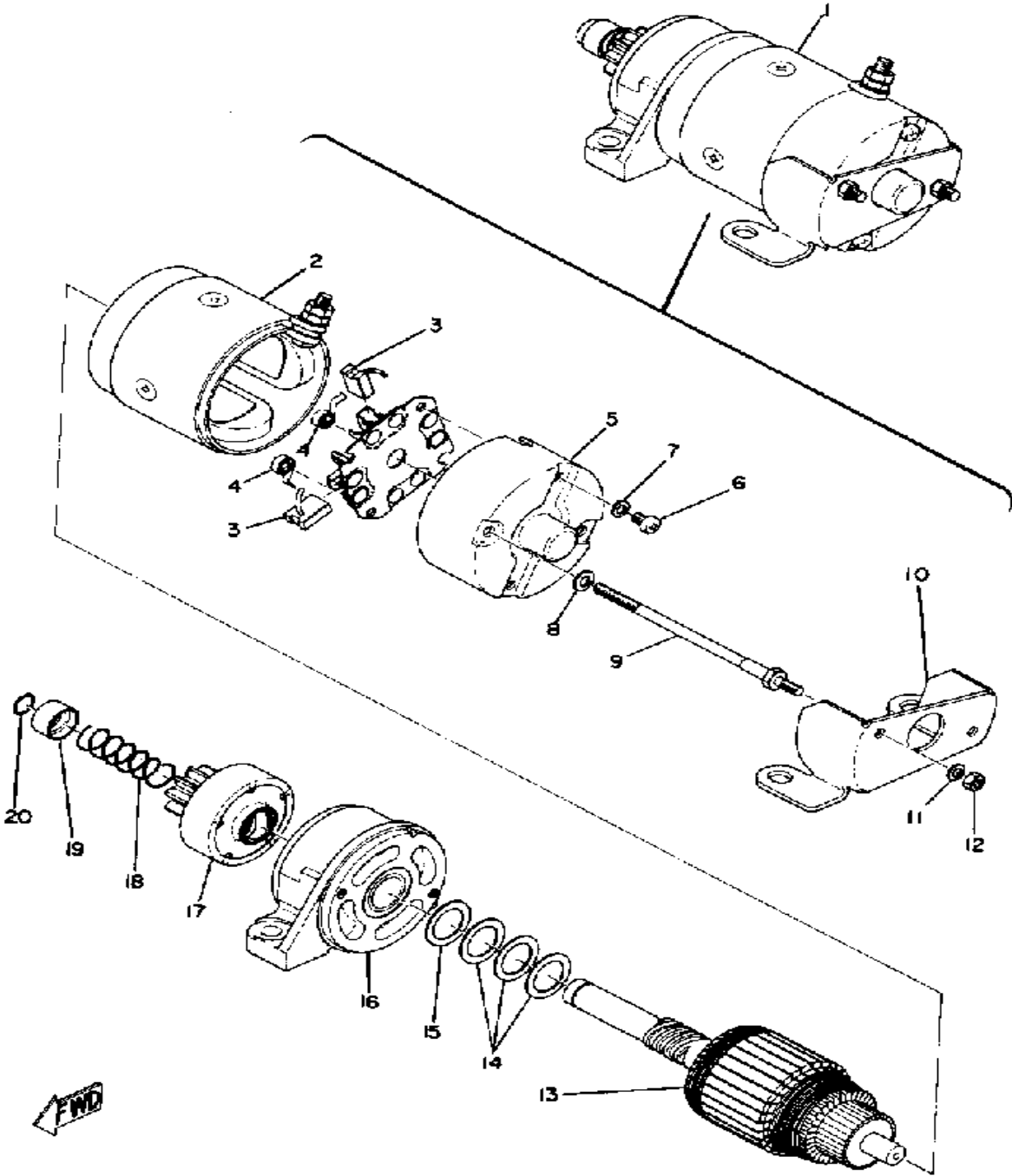
ELECTRICAL



Ref. No.	Part Number	Description	Qty	Remarks
1	838-82310-40-00	IGNITION COIL ASSEMBLY ...	1	
2	(839-82310-40-00)	IGNITION COIL ASSEMBLY ...	1	
3	(838-82314-00-00)	COVER, IGNITN COIL	1	
4	98506-06070-00	SCREW, PAN HEAD	2	
5	92906-06100-00	WASHER, SPRING	2	
6	95316-06600-00	NUT	2	
7	861-82361-00-00	CLAMP, CORD	1	
8	663-82370-01-00	PLUG CAP ASSEMBLY	2	
9	898-82508-20-00	MAIN SWITCH ASSEMBLY ...	1	
10	806-82516-00-00	COLLAR, MAIN SWITCH	1	
11	822-82530-00-00	STOP SWITCH ASSEMBLY ...	1	
12	861-83950-01-00	BEAM SWITCH ASSEMBLY ...	1	
13	883-83976-00-00	SWITCH, HANDLE 1	1	
14	(861-82590-21-00)	WIRE HARNESS ASSEMBLY ..	1	
	(874-82590-20-00)	WIRE HARNESS ASSEMBLY ..	1	

Property of www.SmallEngineDiscount.com - Not for Resale

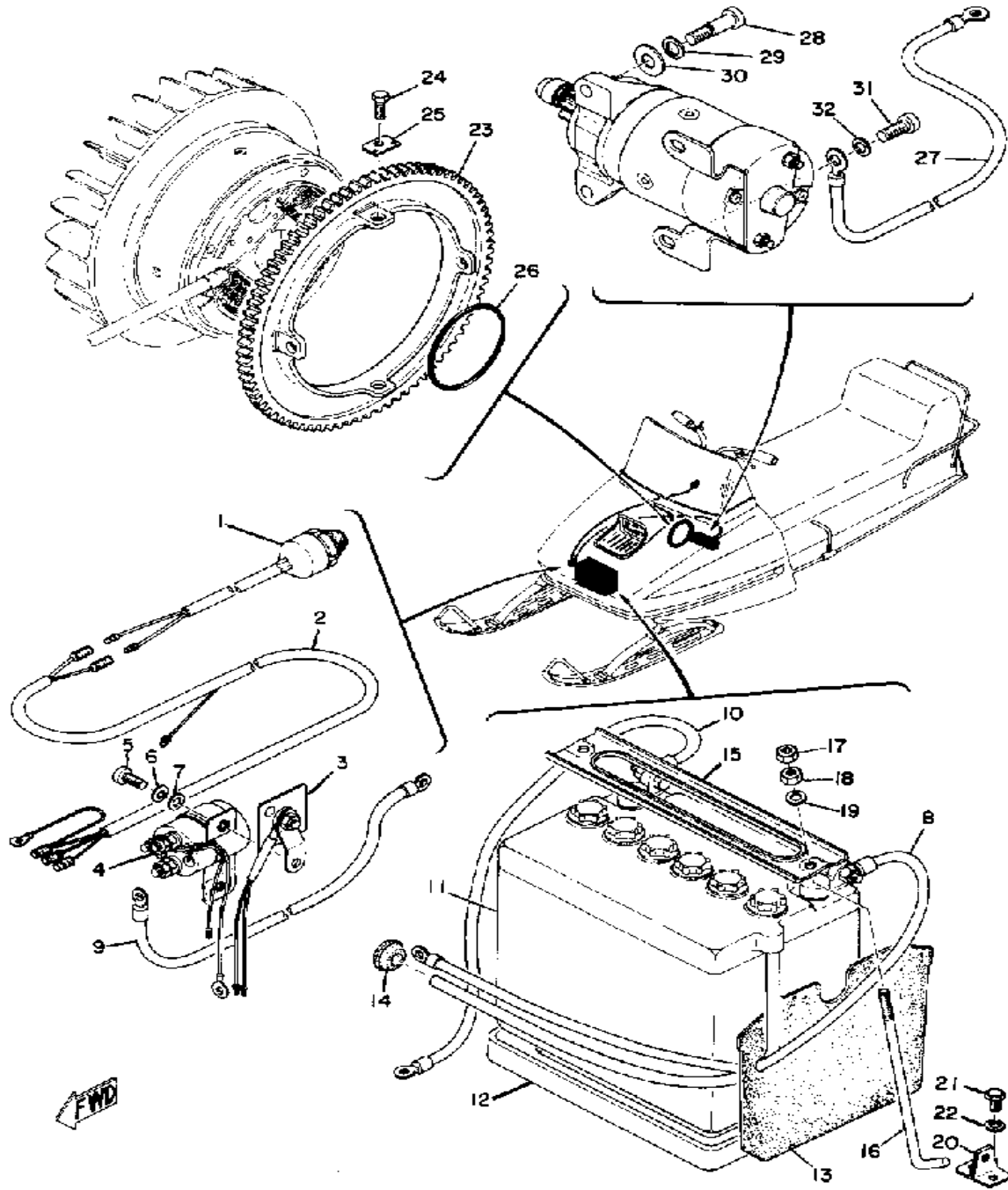
ELECTRIC MOTOR



Ref. No.	Part Number	Description	Qty	Remarks
1	807-81000-00-00	ELECT.STARTER KIT (842-81800-20)	1	
2	(842-81810-20-00)	STATOR ASSEMBLY	1	
3	(842-81811-20-00)	BRUSH 1	4	
4	(842-81813-20-00)	SPRING, BRUSH	4	
5	(842-81820-20-00)	REAR BRACKET ASSEMBLY	1	
6	(842-81848-20-00)	SCREW, BRUSH HOLDER	2	
7	92990-05100-00	. WASHER, SPRING	2	
8	92995-06100-00	. WASHER, SPRING	2	
9	(842-81826-20-00)	BOLT	2	
10	(842-81822-20-00)	BRACKET, STRTG MTR	1	
11	92990-05100-00	. WASHER, SPRING	2	
12	95380-05600-00	. NUT	2	
13	(842-81850-20-00)	ARMATURE ASSEMBLY	1	
14	(842-81843-20-00)	WASHER 1	3	
15	(842-81824-20-00)	WASHER 2	1	
16	(842-81830-20-00)	FRONT BRACKET ASSEMBLY	1	
17	(842-81832-20-00)	CLUTCH, OVER RUN	1	
18	842-81836-20-00	. SPRING, LEVER	1	
19	(842-81833-20-00)	RING, STOP	1	
20	(842-81834-20-00)	RING	1	

Property of www.SmallEngineDiscount.com - Not for Resale

ELECTRIC STARTER UNIT

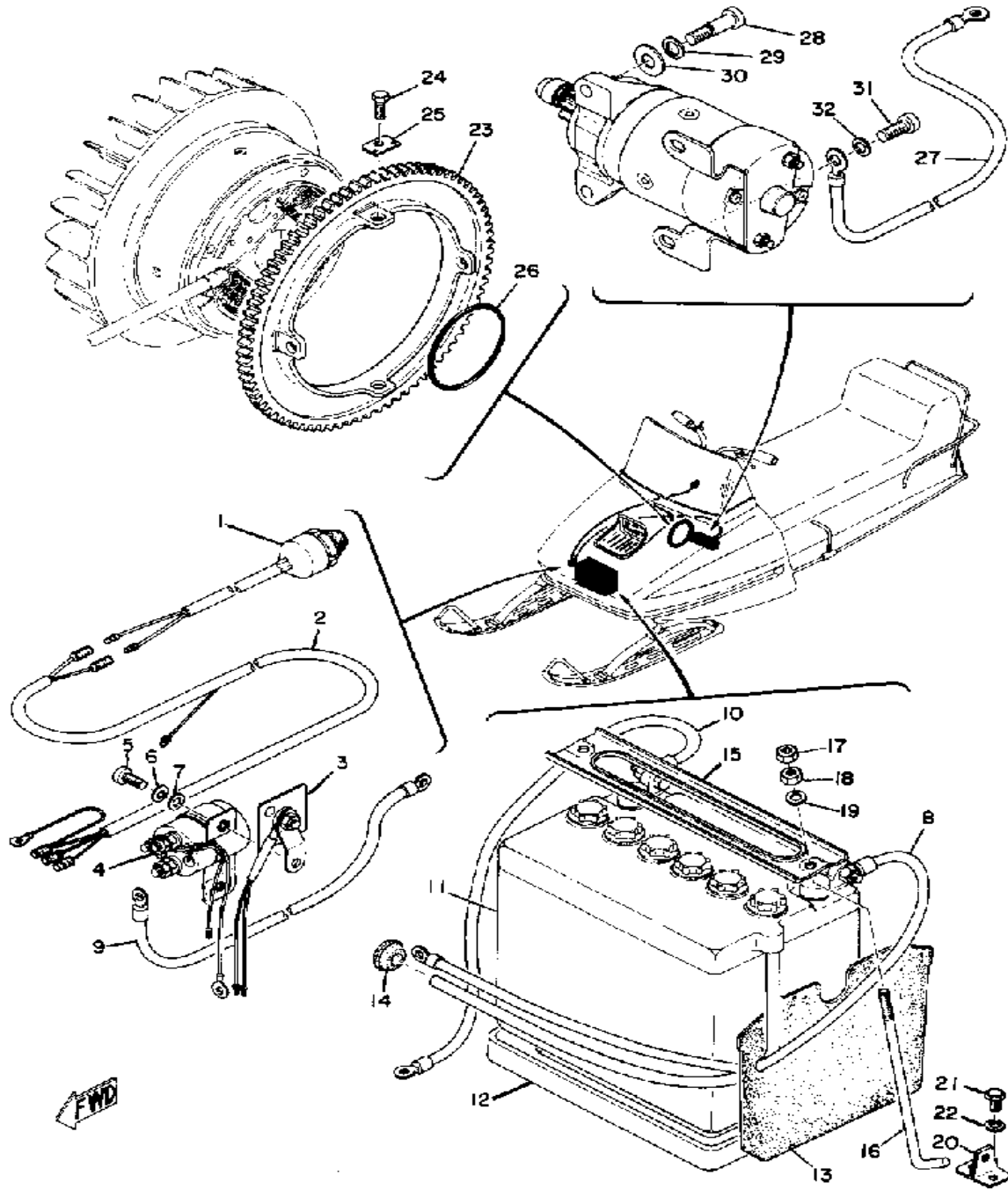


Ref. No.	Part Number	Description	Qty	Remarks
1	(811-83970-00-00)	STARTER SWITCH ASSEMBLY	1	
2	(842-82127-00-00)	WIRE, LEAD 2	1	
3	(812-81970-41-00)	RECTIFIER ASSEMBLY	1	
4	(842-81940-20-00)	STARTER SWITCH ASSEMBLY	1	
5	98503-06014-00	SCREW, PAN HEAD (92502-06016)	2	
6	92995-06100-00	WASHER, SPRING	2	
7	92990-06200-00	WASHER	2	
8	807-81000-00-00	ELECT.STARTER KIT (842-81800-20)	1	
9	(842-82149-00-00)	WIRE, LEAD 3	1	
10	822-82116-00-00	WIRE, MINUS LEAD	1	
11	(807-82110-80-00)	SMB BATTERY B68- 2	1	
12	807-82122-00-00	SEAT, BATTERY	1	
13	822-82118-00-00	SEAL, BATTERY	1	
14	90480-12013-00	GROMMET	1	
15	(822-82136-00-00)	PLATE, BATT FITTING	1	
16	90149-06306-00	SCREW	2	
17	95380-06700-00	NUT	2	
18	95380-06600-00	NUT	2	
19	92995-06100-00	WASHER, SPRING	2	
20	(843-82128-00-00)	BRACKET, BATTERY	2	
21	97313-05010-00	BOLT, HEXAGON	4	
22	95311-05700-00	NUT	4	
23	(842-81891-00-00)	GEAR, RING	1	
24	(90106-08004-00)	BOLT, DOME HEAD	4	
25	(90215-08071-00)	WASHER, LOCK	4	
26	(93210-61117-00)	O-RING	1	
27	(842-82117-00-00)	WIRE, LEAD	1	

CONTINUED ON NEXT FRAME ►

Property of www.SmallEngineDiscount.com - Not for Resale

ELECTRIC STARTER UNIT



Ref. No.	Part Number	Description	Qty	Remarks
28	90149-08056-00	SCREW, SPEC'L SHAPE	2	
29	92990-10100-00	WASHER, SPRING	2	
30	(90201-09116-00)	WASHER, PLATE	1	
31	98501-08020-00	SCREW, PAN HEAD (92501-08020)	2	
32	92990-08100-00	WASHER	2	

Property of www.SmallEngineDiscount.com - Not for Resale