



YAMAHA

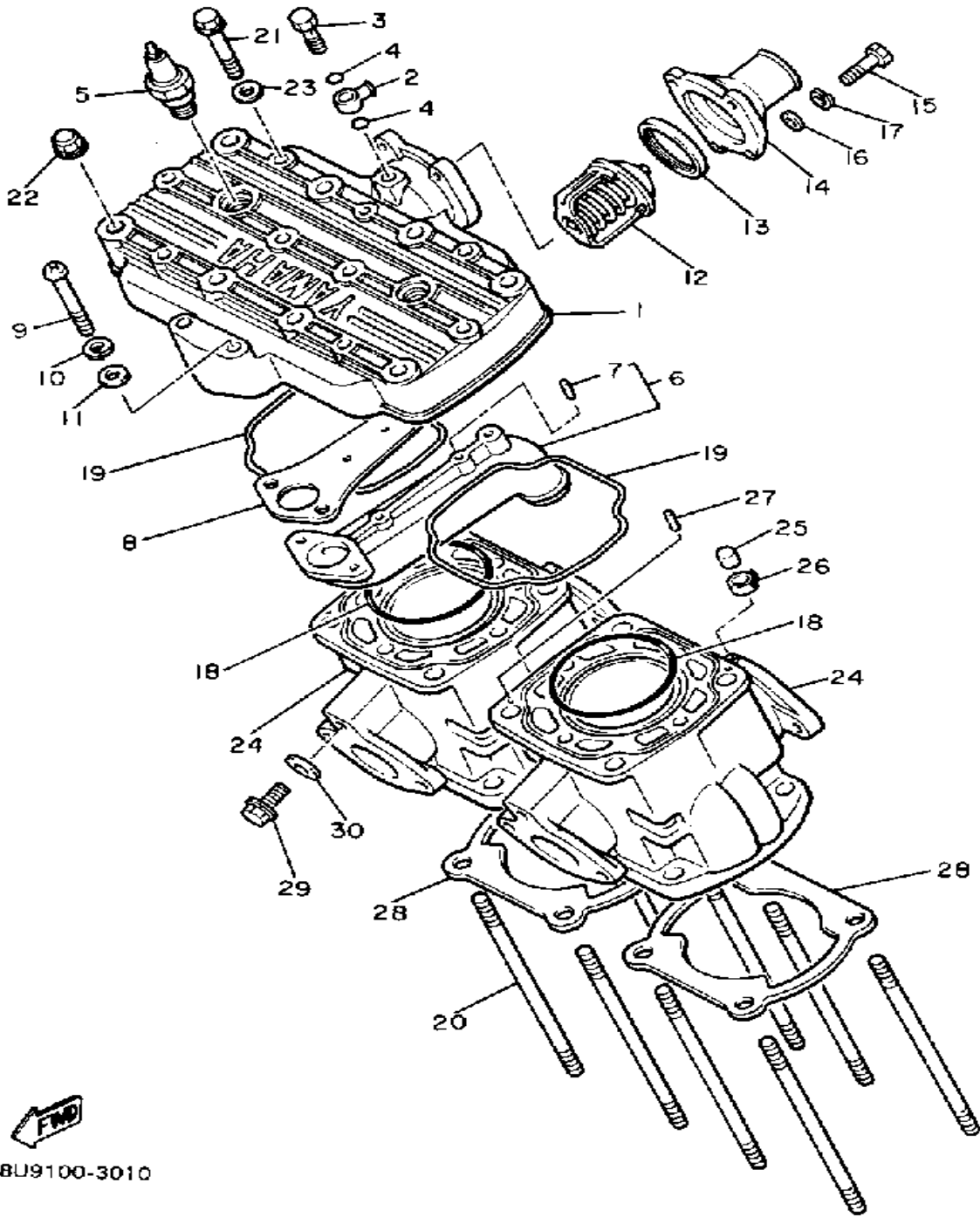
GENUINE

PARTS CATALOGUE

SNOWMOBILE

Property of www.SmallEngineDiscount.com - Not for Resale

CYLINDER HEAD-CYLINDER



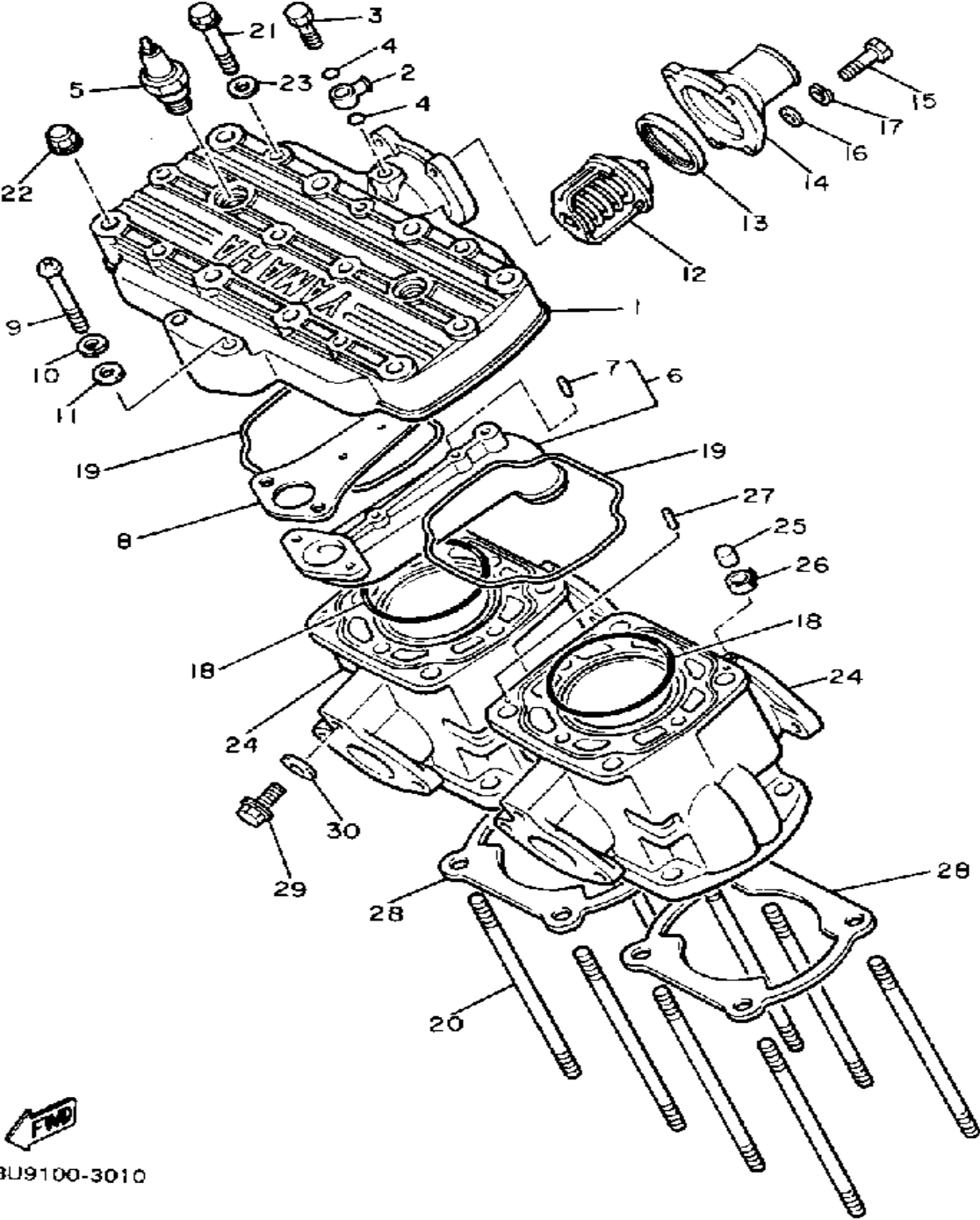
8U9100-3010

Ref. No.	Part Number	Description	Qty	Remarks
1	8U9-11111-00-00	HEAD, CYLINDER 1	1	
2	90405-10026-00	UNION	1	
3	90401-10034-00	BOLT, UNION	1	
4	90430-10171-00	GASKET	2	
5	NGK-BR9EV-01-PC	NGK 1PCTRM BR9EV10 (94702-00193-00)	2	
6	8M6-12498-01-00	PROTECTOR	1	
7	91609-30010-00	PIN, SPRING	2	
8	8M6-12435-03-00	GASKET	1	
9	98580-06055-00	SCREW, pan head (92501-06065-00)	3	
10	92995-06100-00	WASHER, SPRING	3	
11	92901-06600-00	WASHER	3	
12	8U9-12411-00-00	THERMOSTAT	1	
13	8U9-12412-00-00	SEAL, THERMOSTAT	1	
14	8U9-12413-00-00	COVER, THERMOSTAT	1	
15	91316-06020-00	BOLT, SOCKET HEAD	4	
16	92906-06600-00	WASHER	4	
17	92906-06100-00	WASHER, SPRING	4	
18	93210-81503-00	O-RING		
19	8R9-11181-00-00	GASKET, CYLINDER HEAD 1 .	2	
20	8M6-11361-00-00	BOLT, CYLINDER HOLDING 1 .	8	
21	95811-08055-00	BOLT, FLANGE	8	
22	90176-10049-00	NUT, CROWN	8	
23	90201-080L7-00	WASHER, PLATE	8	
24	8U9-11311-00-00	CYLINDER 1	2	
25	895-14169-00-00	CAP	1	
26	90467-07029-00	CLIP	1	
27	93604-07141-00	PIN, DOWEL	4	

CONTINUED ON NEXT FRAME ►

Property of www.SmallEngineDiscount.com - Not for Resale

CYLINDER HEAD-CYLINDER

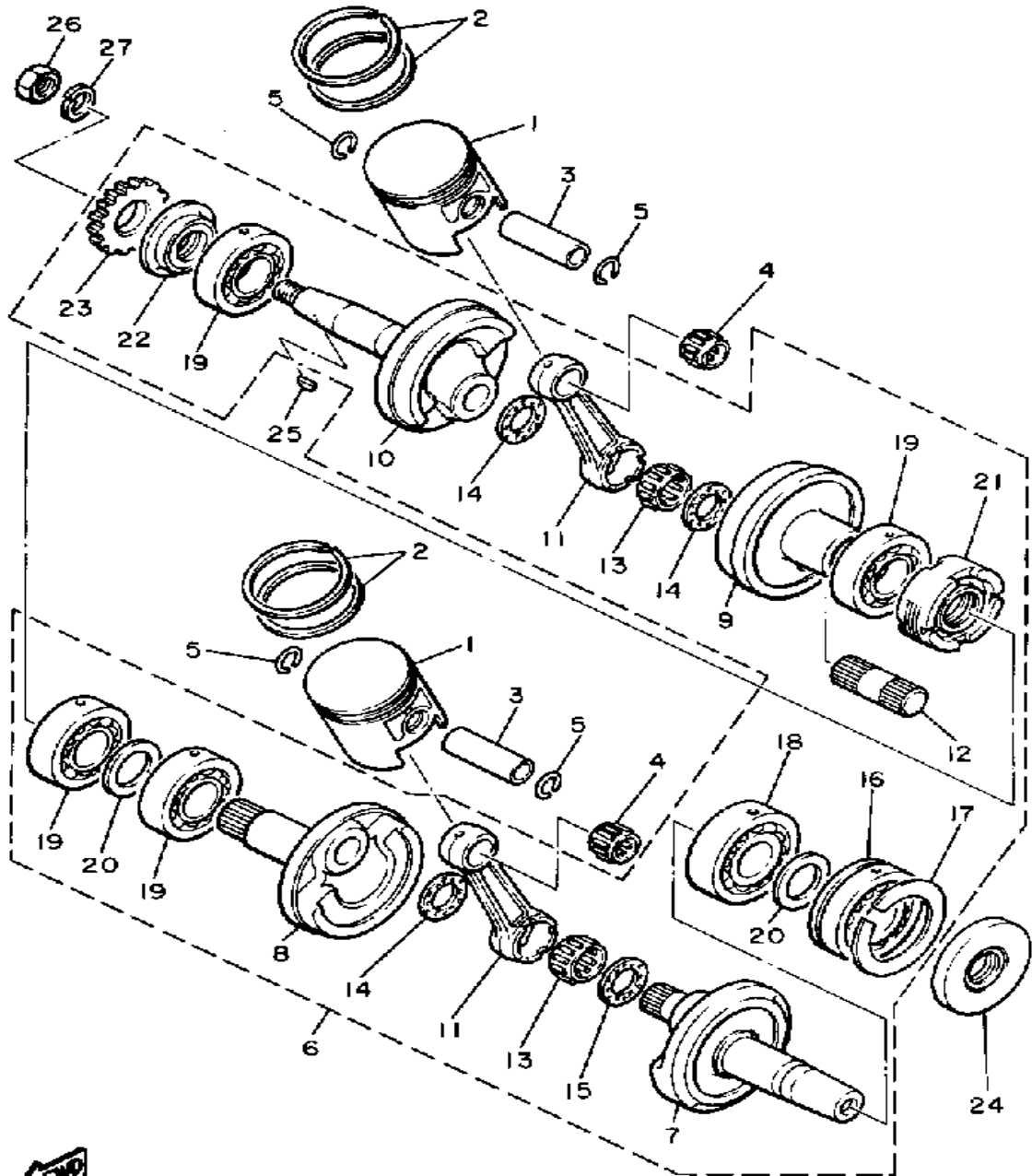


Ref. No.	Part Number	Description	Qty	Remarks
28	8M6-11351-00-00	GASKET, CYLINDER	2	
29	95811-10016-00	BOLT, FLANGE (95801-10016) .	2	
30	90201-11723-00	WASHER, PLATE	2	

FWD
8U9100-3010

Property of www.SmallEngineDiscount.com - Not for Resale

CRANKSHAFT-PISTON



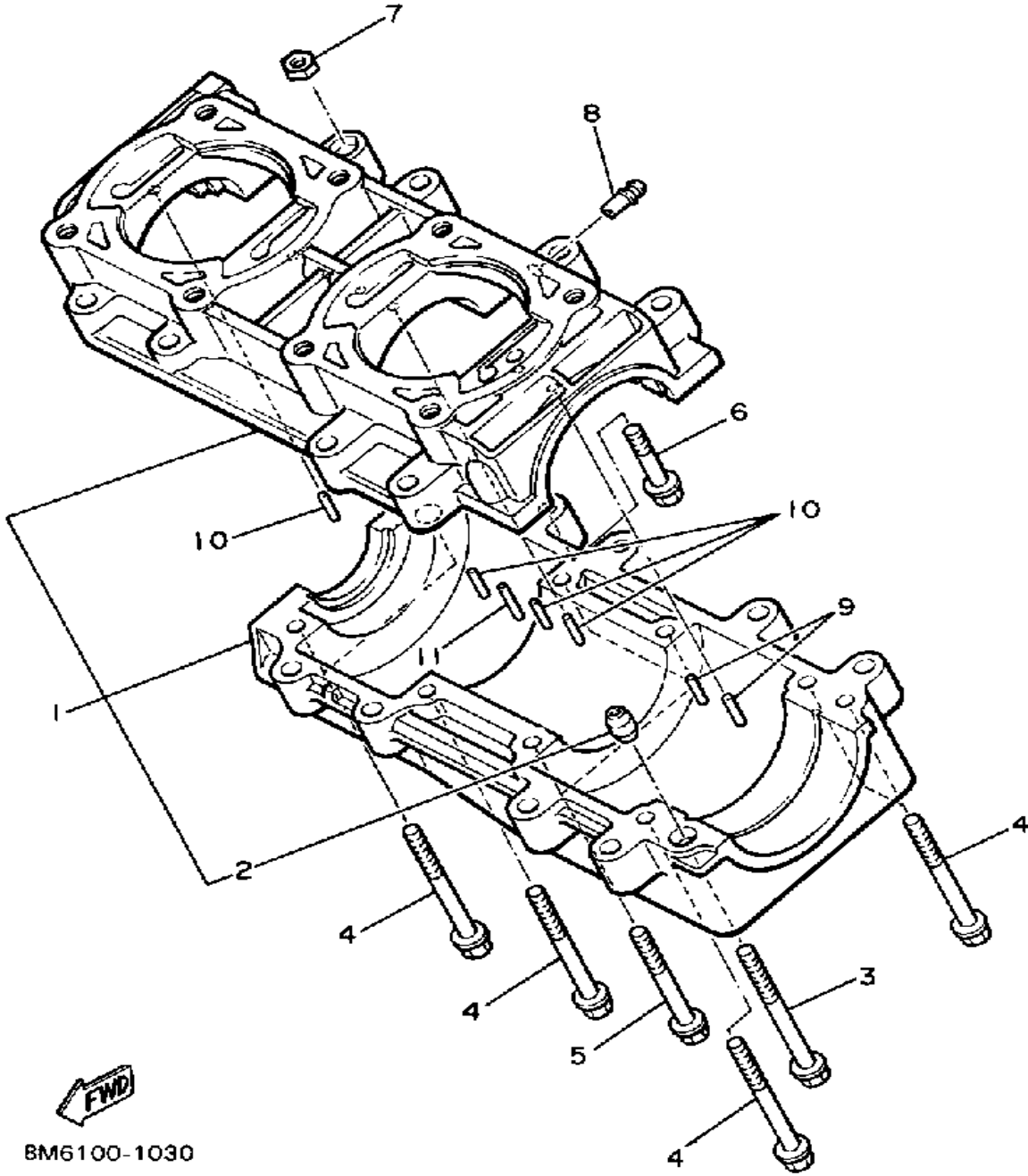
Ref. No.	Part Number	Description	Qty	Remarks
1	8U9-11631-01-94	PISTON STD	2	
2	8U9-11601-00-00	PISTON RINGSET STD	2	
3	8J0-11633-00-00	PIN, PISTON	2	
4	93310-320G0-00	BEARING	2	
5	93450-21053-00	CIRCLIP	4	
6	8U9-11400-00-00	CRANKSHAFT ASSEMBLY	1	
7	8U9-11412-00-00	. CRANK 1	1	
8	8U9-11422-00-00	. CRANK 2	1	
9	8U9-11432-00-00	. CRANK 3	1	
10	8U9-11442-00-00	. CRANK 4	1	
11	8U9-11651-00-00	. ROD, CONNECTING	2	
12	8R9-11681-00-00	. PIN, CRANK 1	1	
13	93310-525K6-00	. BEARING, CYLINDRICAL	2	
14	90209-25238-00	. WASHER, SPEC'L SHAP	3	
15	8R9-11685-00-00	. WASHER, CRANK PIN	1	
16	93306-30711-00	. BEARING (93306-30712-00)	1	
17	93440-80023-00	. CIRCLIP	1	
18	93306-30711-00	. BEARING (93306-30712-00)	1	
19	93306-20712-00	. BEARING	4	
20	90201-357E4-00	. WASHER, PLATE	2	
21	8U9-11515-00-00	. SEAL, LABYRINTH 1	1	
22	93103-35139-00	. OIL SEAL, SW-TYPE	1	
23	8U9-13178-00-00	. GEAR, PUMP DRIVE	1	
24	93103-35140-00	OIL SEAL	1	
25	90280-05033-00	KEY, WOODRUFF	1	
26	90170-16182-00	NUT	1	
27	92901-16100-00	WASHER, SPRING	1	

Piston Skirt Clearance New / Max	0.065 ~ 0.070mm / 0.10mm
Ring End Gap Top / 2nd	0.35 ~ 0.55mm / 0.35 ~ 0.55mm
Ring Groove Clearance Top / 2nd	0.03 ~ 0.06mm / 0.03 ~ 0.05mm

FWD
8U9100-3020

Property of www.SmallEngineDiscount.com - Not for Resale

CRANKCASE

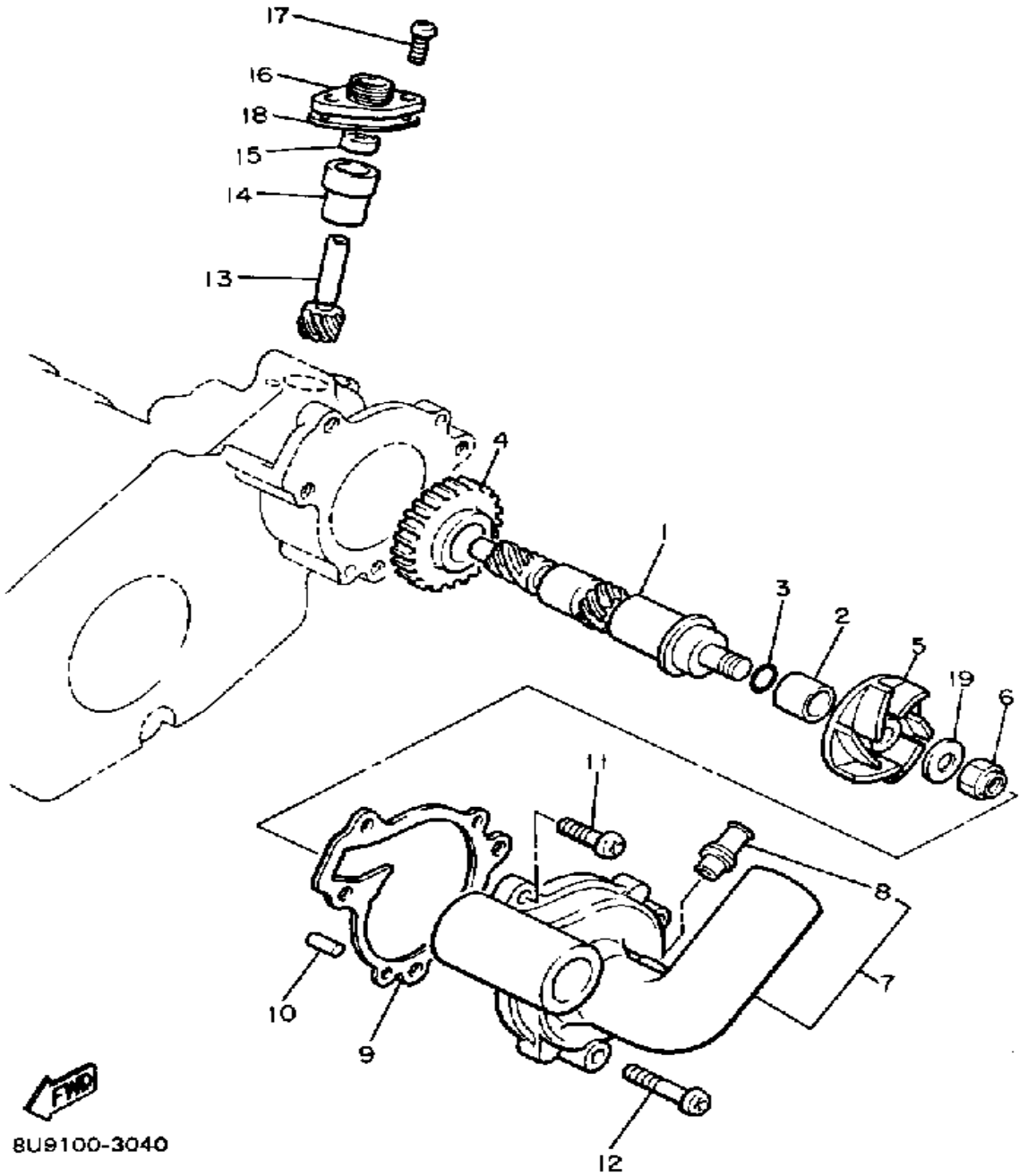


BM6100-1030

Ref. No.	Part Number	Description	Qty	Remarks
1	8U9-15100-00-00	CRANKCASE ASSEMBLY	1	
2	99510-10114-00	. PIN, DOWEL	2	
3	95811-08095-00	BOLT, FLANGE	1	
4	95811-08085-00	BOLT, FLANGE	6	
5	95811-08075-00	BOLT, FLANGE	3	
6	95811-08045-00	BOLT, FLANGE (JN5)	1	
7	95333-08600-00	NUT	1	
8	J38-11116-00-00	JOINT, BREATHER	2	
9	93604-07141-00	PIN, DOWEL	2	
10	93603-10049-00	PIN, DOWEL	4	
11	93603-14179-00	PIN, DOWEL	1	

Property of www.SmallEngineDiscount.com - Not for Resale

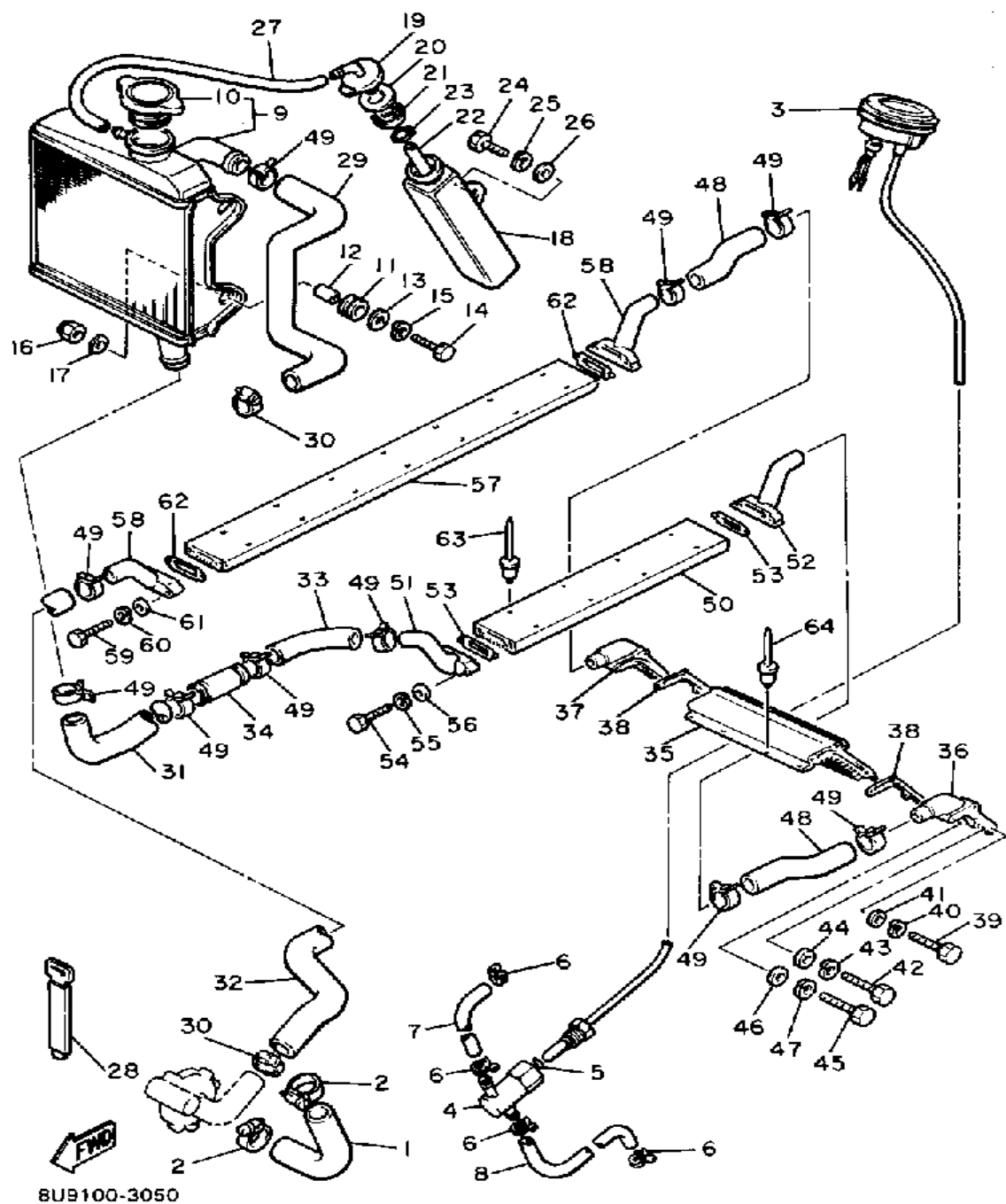
WATER PUMP



Ref. No.	Part Number	Description	Qty	Remarks
1	8X6-12458-00-00	SHAFT, IMPELLER	1	
2	90387-130K8-00	COLLAR	1	
3	93210-10197-00	O-RING	1	
4	8M6-13188-01-00	GEAR, DRIVE (8M6-13188-00)	1	
5	8A7-12451-00-00	IMPELLER, WATER PMP	1	
6	95712-08300-00	NUT, LOCK	1	
7	8M6-W1241-00-00	COVER, HOUSING	1	
8	8A7-12499-00-00	. JOINT	1	
9	8M6-12427-01-00	GASKET, HOUSING CVR	1	
10	93604-10011-00	PIN, DOWEL	2	
11	98503-06014-00	SCREW, PAN HEAD (92502-06016)	2	
12	98580-06030-00	SCREW PAN HEAD	2	
13	8M6-17841-00-00	GEAR, DRIVEN	1	
14	8A7-17843-00-00	BUSH, DRVN GR OUTER	1	
15	93104-06033-00	OIL SEAL	1	
16	821-17819-00-00	CAP, HOUSING	1	
17	98580-05010-00	SCREW, PAN HEAD	2	
18	821-17818-02-00	GASKET	1	
19	90201-08452-00	WASHER, PLATE	1	

Property of www.SmallEngineDiscount.com - Not for Resale

RADIATOR-HOSE

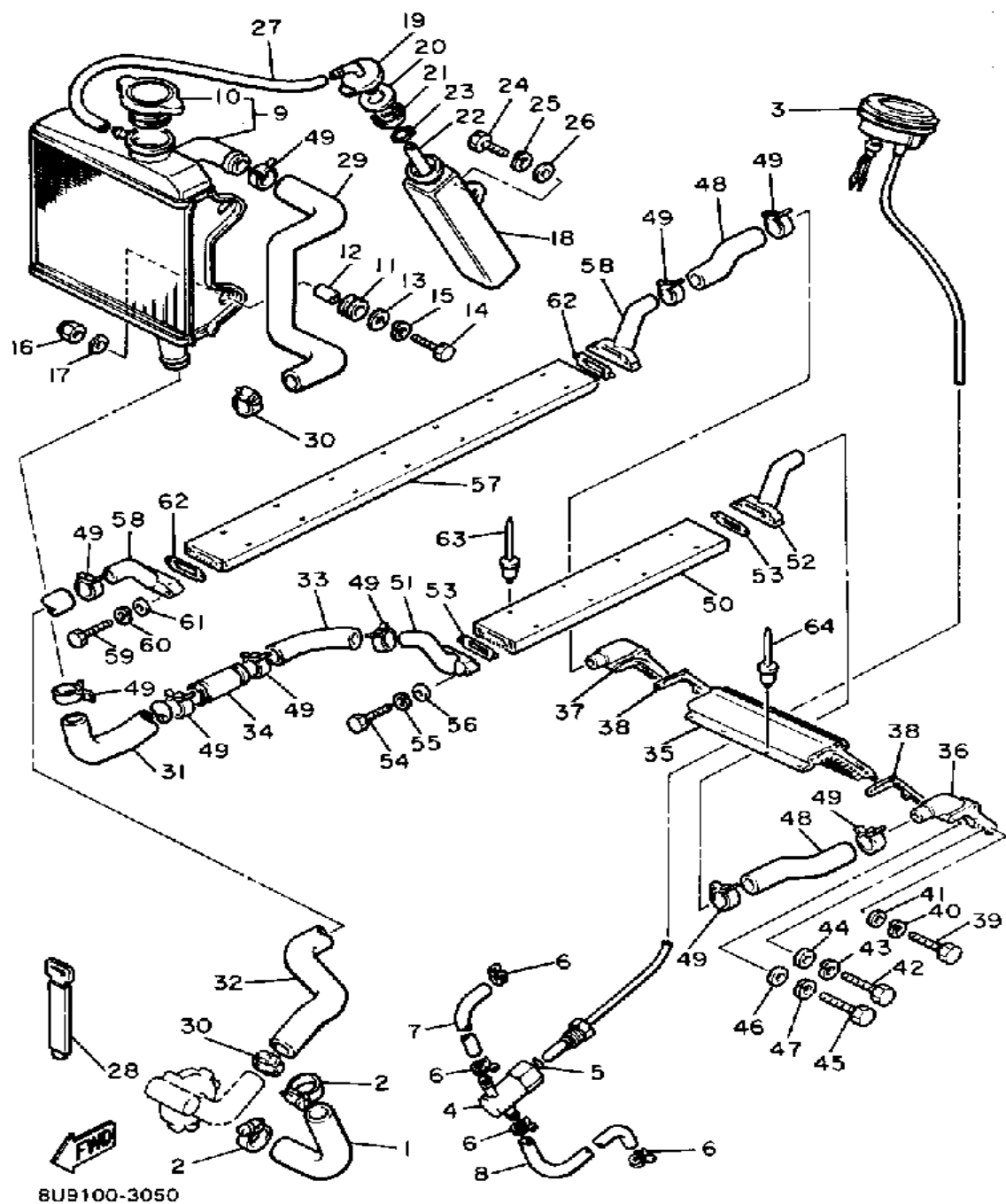


Ref. No.	Part Number	Description	Qty	Remarks
1	8M6-12481-01-00	PIPE 1	1	
2	90460-38292-00	CLAMP, HOSE	2	
3	8X6-83590-00-00	WATER TEMP METER	1	
4	8A7-12446-01-00	JOINT	1	
5	93210-10118-00	O-RING	1	
6	90460-11149-00	CLAMP, HOSE	4	
7	84M-1243E-00-00	HOSE, 2	1	
8	8J0-12484-00-00	PIPE 4 (7-145)	1	
9	8M6-12460-00-00	RADIATOR ASSEMBLY	1	
10	11H-12462-00-00	. CAP, RADIATOR	1	
11	90480-20131-00	GROMMET	4	
12	90387-06518-00	COLLAR	4	
13	90201-06067-00	WASHER, PLATE	4	
14	97021-06030-00	BOLT	4	
15	92995-06100-00	WASHER, SPRING	4	
16	95701-06300-00	NUT, NYLON	4	
17	92990-06200-00	WASHER	4	
18	8A2-21871-00-00	TANK, RECOVERY	1	
19	8A2-21875-00-00	CAP	1	
20	8A2-16716-00-00	GASKET, CAP	1	
21	8A2-21872-00-00	STOPPER	1	
22	90445-11293-00	HOSE	1	
23	90467-10008-00	CLIP	1	
24	97313-06016-00	BOLT, HEXAGON	1	
25	92995-06100-00	WASHER, SPRING	1	
26	90201-06067-00	WASHER, PLATE	1	
27	90445-11182-00	HOSE	1	
28	341-26397-01-00	BAND	1	
29	8U9-12482-00-00	PIPE 2	1	

CONTINUED ON NEXT FRAME ►

Property of www.SmallEngineDiscount.com - Not for Resale

RADIATOR-HOSE

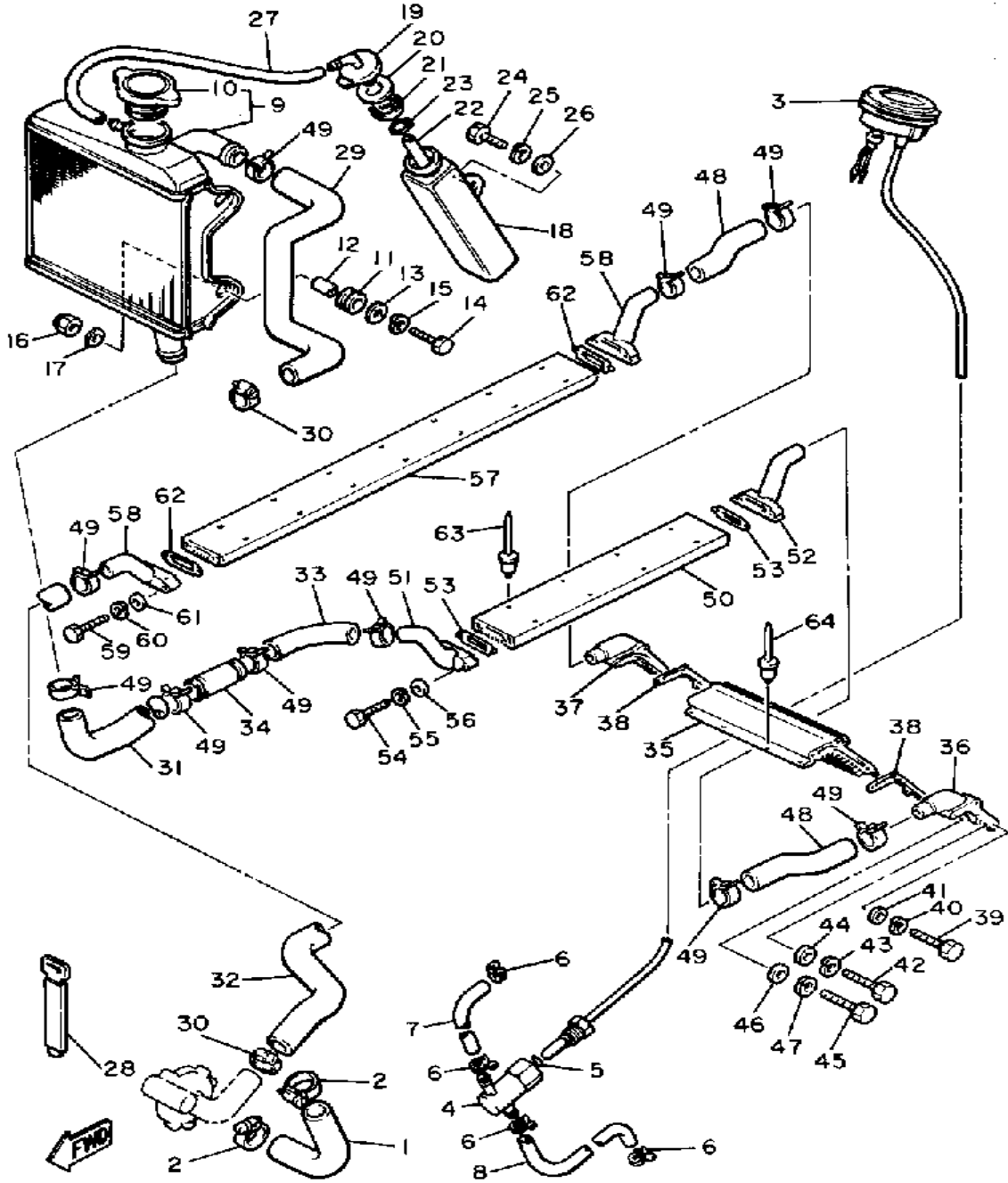


Ref. No.	Part Number	Description	Qty	Remarks
30	90460-38292-00	CLAMP, HOSE	2	
31	8M6-12483-00-00	PIPE 3	1	
32	8M6-12485-00-00	PIPE 5	1	
33	8U9-12476-00-00	PIPE 6	1	
34	8M6-12581-00-00	JOINT, HOSE 1	1	
35	8U9-12466-00-00	EXCHANGER, HEAT	1	
36	8U9-1247A-00-00	JOINT 2	1	
37	99999-01652-00	JOINT, 3 SET	1	
38	8U9-12434-00-00	GASKET	2	
39	97301-05030-00	BOLT, HEXAGON (97302-05030)	2	
40	92990-05100-00	WASHER, SPRING	2	
41	92901-05600-00	WASHER, PLATE	2	
42	97313-05035-00	BOLT	2	
43	92990-05100-00	WASHER, SPRING	2	
44	92901-05600-00	WASHER, PLATE	2	
45	(97321-05045-00)	BOLT, HEXAGON	4	
46	92901-05600-00	WASHER, PLATE	4	
47	92990-05100-00	WASHER, SPRING	4	
48	8U9-12477-00-00	PIPE 7	2	
49	90467-28046-00	CLIP	10	
50	8X6-1241E-00-00	EXCHANGER, HEAT	1	
51	8U9-12469-00-00	JOINT 1	1	
52	8U9-12479-01-00	JOINT	1	
53	8U9-12435-00-00	GASKET	2	
54	97313-05035-00	BOLT	4	
55	92990-05100-00	WASHER, SPRING	4	
56	92901-05600-00	WASHER, PLATE	4	
57	8X6-1241F-00-00	EXCHANGER, HEAT 3	1	
58	8U9-12479-01-00	JOINT	2	

CONTINUED ON NEXT FRAME ►

Property of www.SmallEngineDiscount.com - Not for Resale

RADIATOR-HOSE

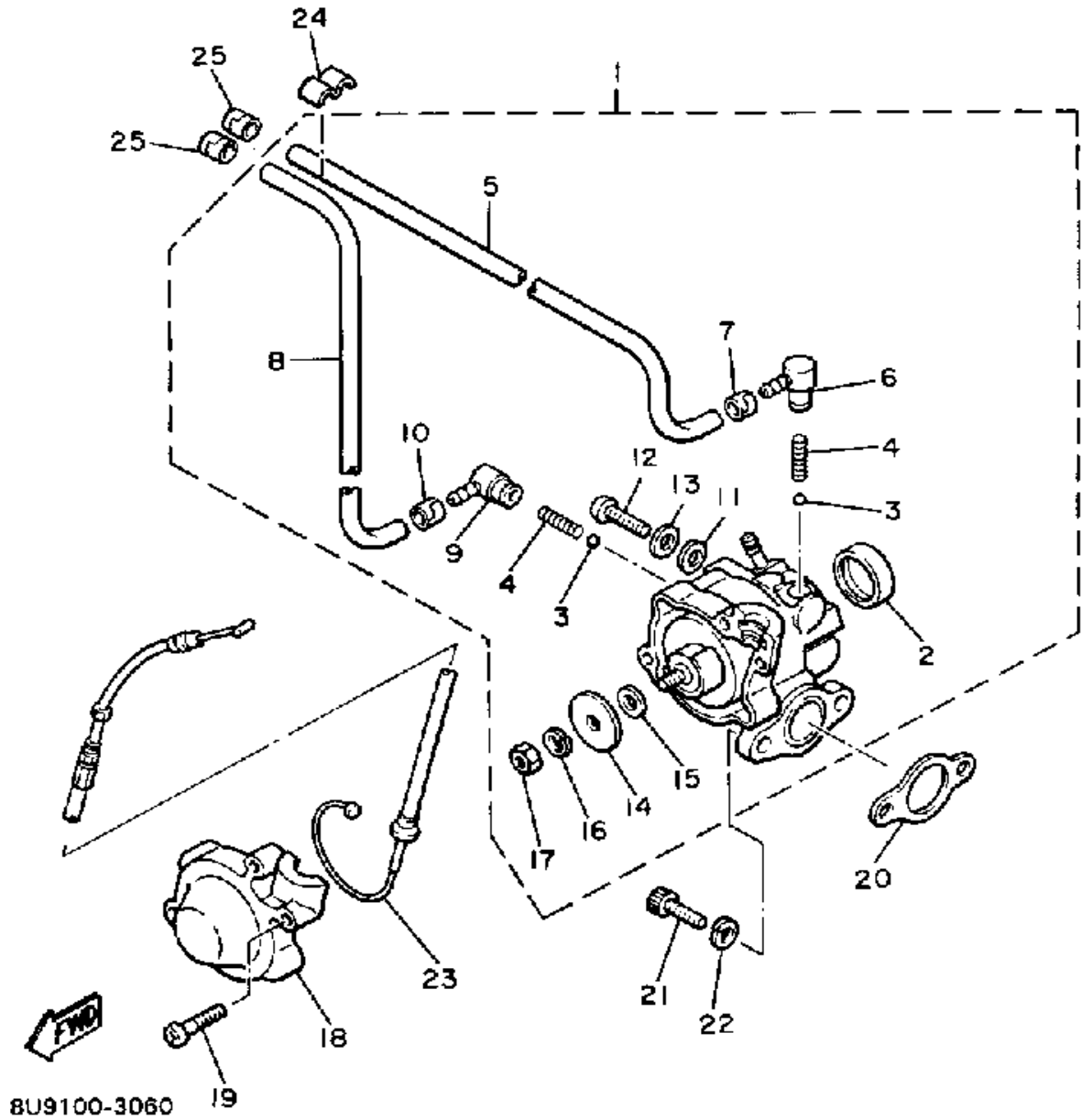


8U9100-3050

Ref. No.	Part Number	Description	Qty	Remarks
59	97313-05035-00	BOLT	4	
60	92990-05100-00	WASHER, SPRING	4	
61	92901-05600-00	WASHER, PLATE	4	
62	8U9-12435-00-00	GASKET	2	
63	90267-48053-00	RIVET, BLIND	21	
64	90267-48081-00	RIVET, BLIND	12	

Property of www.SmallEngineDiscount.com - Not for Resale

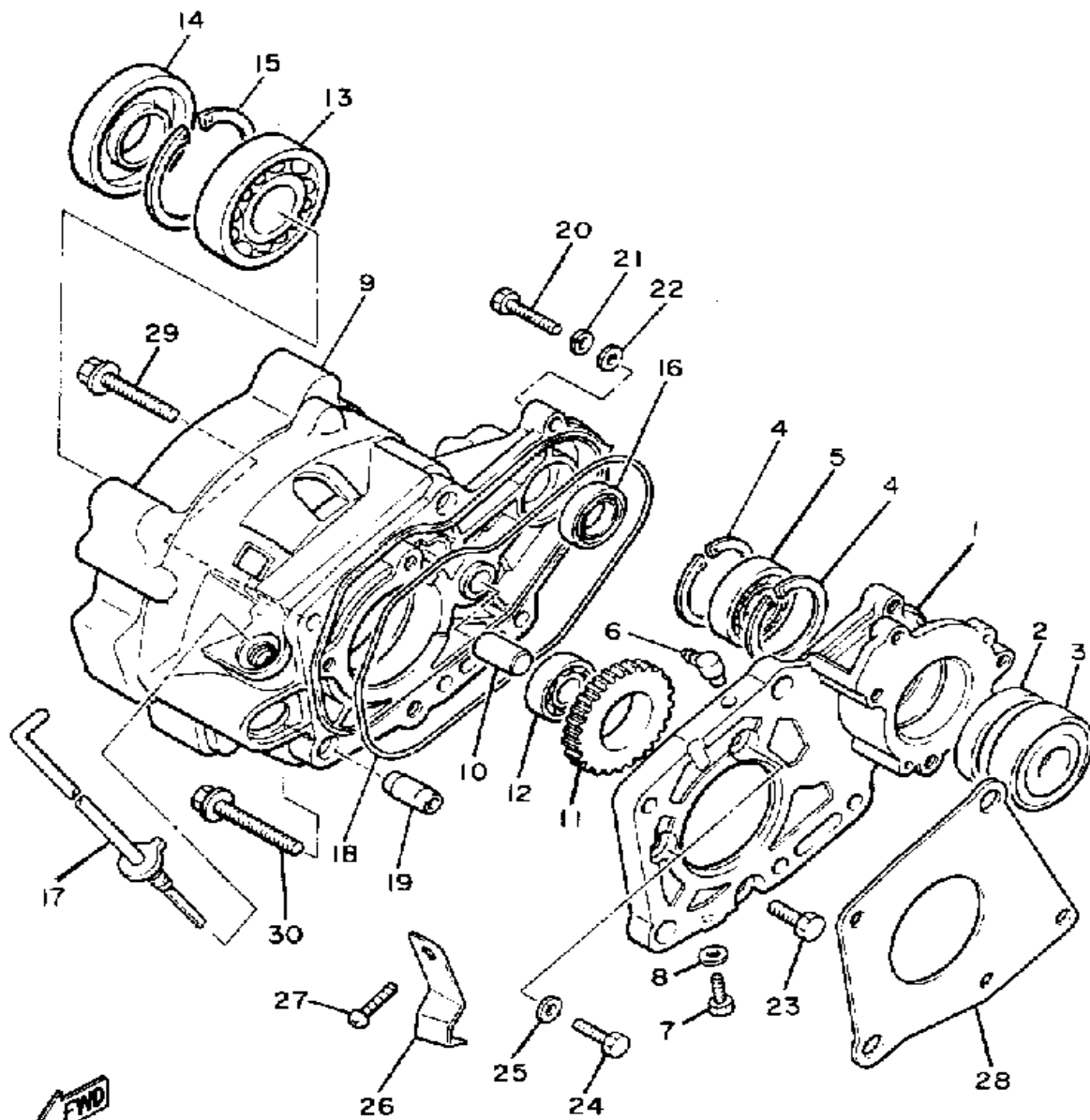
OIL PUMP



Ref. No.	Part Number	Description	Qty	Remarks
1	8X6-13101-00-00	OIL PUMP ASSEMBLY	1	
2	90338-21100-00	. PLUG	1	
3	93505-32002-00	. BALL	1	
4	90501-02018-00	. SPRING, COMPRESSION	1	
5	90446-08194-00	. HOSE	1	
6	353-13552-01-00	. NOZZLE	1	
7	90468-02025-00	. CLIP	1	
8	90446-08195-00	. HOSE	1	
9	353-13552-01-00	. NOZZLE	1	
10	90468-02025-00	. CLIP	1	
11	90430-04004-00	. GASKET	1	
12	90157-04009-00	. SCREW, PAN HEAD	1	
13	92901-04600-00	. WASHER, PLATE	1	
14	137-13138-01-00	. PLATE, ADJUSTING	1	
15	137-13137-00-03	. SHIM (0.3T)	1	U.R.
	137-13137-00-05	. SHIM (0.5T)	1	U.R.
	137-13137-00-10	. SHIM (1.0T)	1	U.R.
16	92990-05100-00	. WASHER, SPRING	1	
17	95380-05600-00	. NUT	1	
18	8A5-13146-01-00	COVER, ADJUST PULLEY	1	
19	98506-04018-00	SCREW, PAN HEAD	3	
20	3MT-13116-00-00	GASKET, PUMP CASE (8Y0-13116-00)	1	
21	91316-05016-00	BOLT	2	
22	92990-05100-00	WASHER, SPRING	2	
23	8X6-26320-00-00	PUMP CABLE ASSEMBLY	1	
24	861-82361-00-00	CLAMP, CORD	2	
25	90468-02025-00	CLIP	2	

Property of www.SmallEngineDiscount.com - Not for Resale

PUMP DRIVE-GEAR



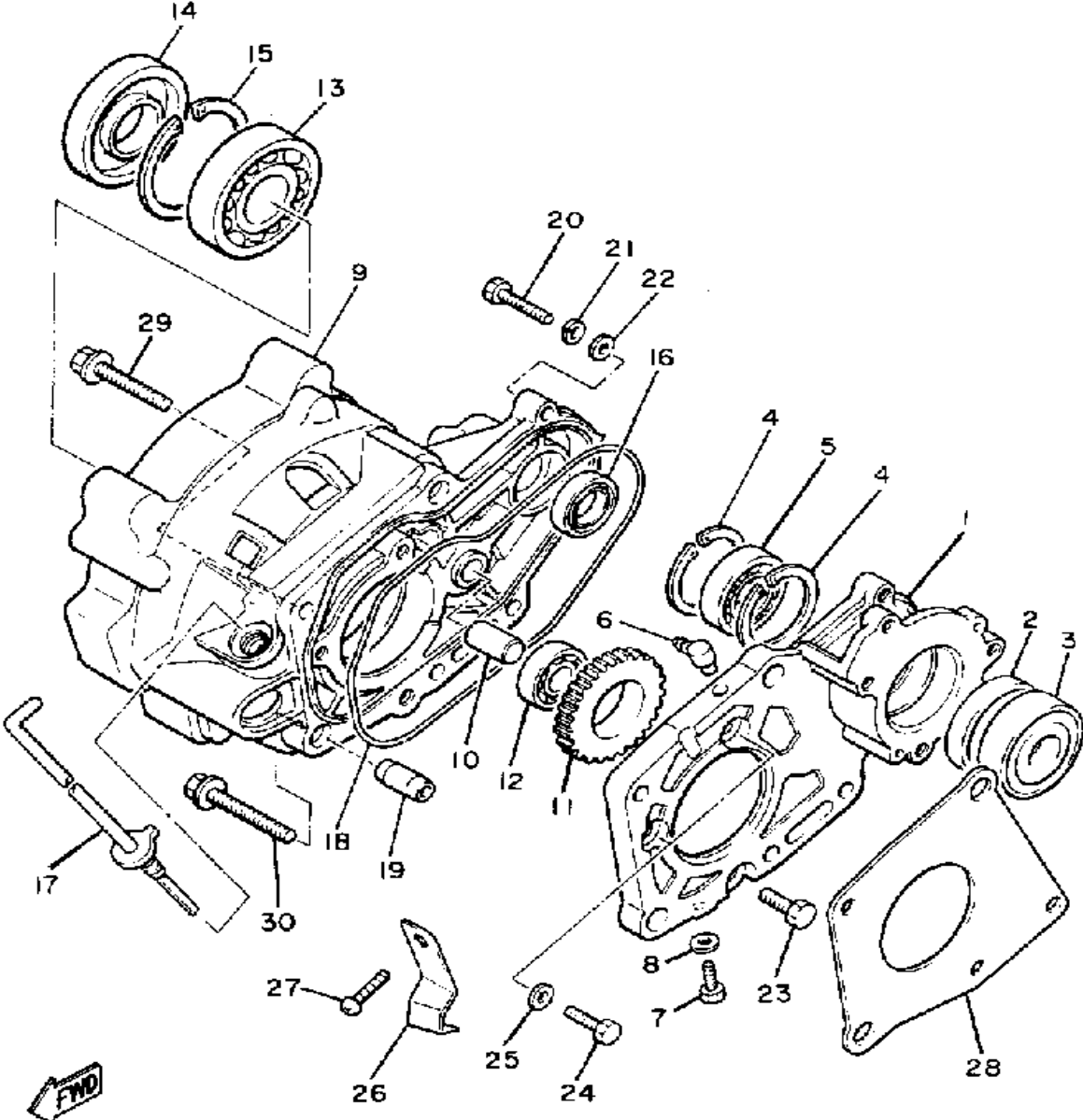
8X6100-4060

Ref. No.	Part Number	Description	Qty	Remarks
1	8X6-15416-00-00	COVER, OIL PUMP	1	
2	93101-25121-00	OIL SEAL, S-TYPE	1	
3	93103-25146-00	OIL SEAL, SW-TYPE	1	
4	99009-42500-00	CIRCLIP	2	
5	93316-00403-00	BEARING	1	
6	353-13552-01-00	NOZZLE	1	
7	97011-06010-00	BOLT	1	
8	90201-06630-00	WASHER, PLATE	1	
9	8U9-15426-01-00	COVER, OIL PUMP R	1	
10	8M6-13342-00-00	SHAFT, IDLE GEAR	1	
11	8M6-13179-00-00	GEAR, IDLE	1	
12	93316-00101-00	BEARING, CYLINDER.# 6	1	
13	93306-20627-00	BEARING	1	
14	93103-30138-00	OIL SEAL, SW-TYPE	1	
15	93420-62070-00	CIRCLIP 54G	1	
16	93102-20108-00	OIL SEAL	1	
17	8U9-21792-02-00	GAUGE, OIL	1	
18	93211-44445-00	O-RING	1	
19	91800-13025-00	PIN, DOWEL	2	
20	97021-06030-00	BOLT	2	
21	92995-06100-00	WASHER, SPRING	2	
22	92990-06600-00	WASHER, PLATE	2	
23	97313-08016-00	BOLT, HEXAGON	1	
24	97011-06020-00	BOLT	2	
25	90210-06006-00	WASHER, SEAL	2	
26	8X6-12491-00-00	CLAMP 1	1	
27	98511-04006-00	SCREW, PAN HEAD (98501-04005)	1	
28	8M6-15456-00-00	GASKET, O/PMP CVR 1	1	

CONTINUED ON NEXT FRAME ►

Property of www.SmallEngineDiscount.com - Not for Resale

PUMP DRIVE-GEAR

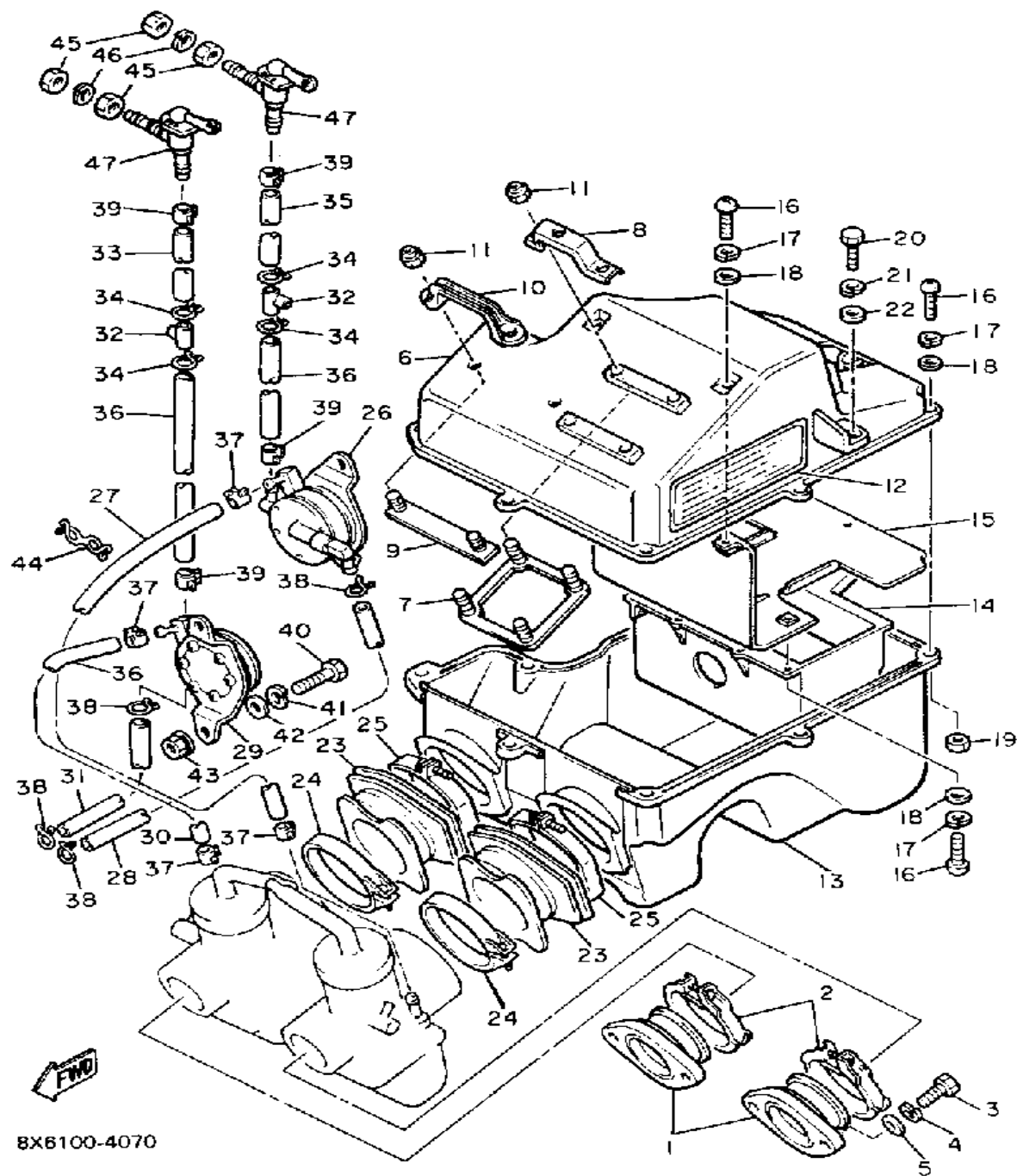


8X6100-4060

Ref. No.	Part Number	Description	Qty	Remarks
29	95811-08045-00	BOLT, FLANGE (JN5)	3	
30	95811-08050-00	BOLT, FLANGE (95812-08050)	2	

Property of www.SmallEngineDiscount.com - Not for Resale

INTAKE



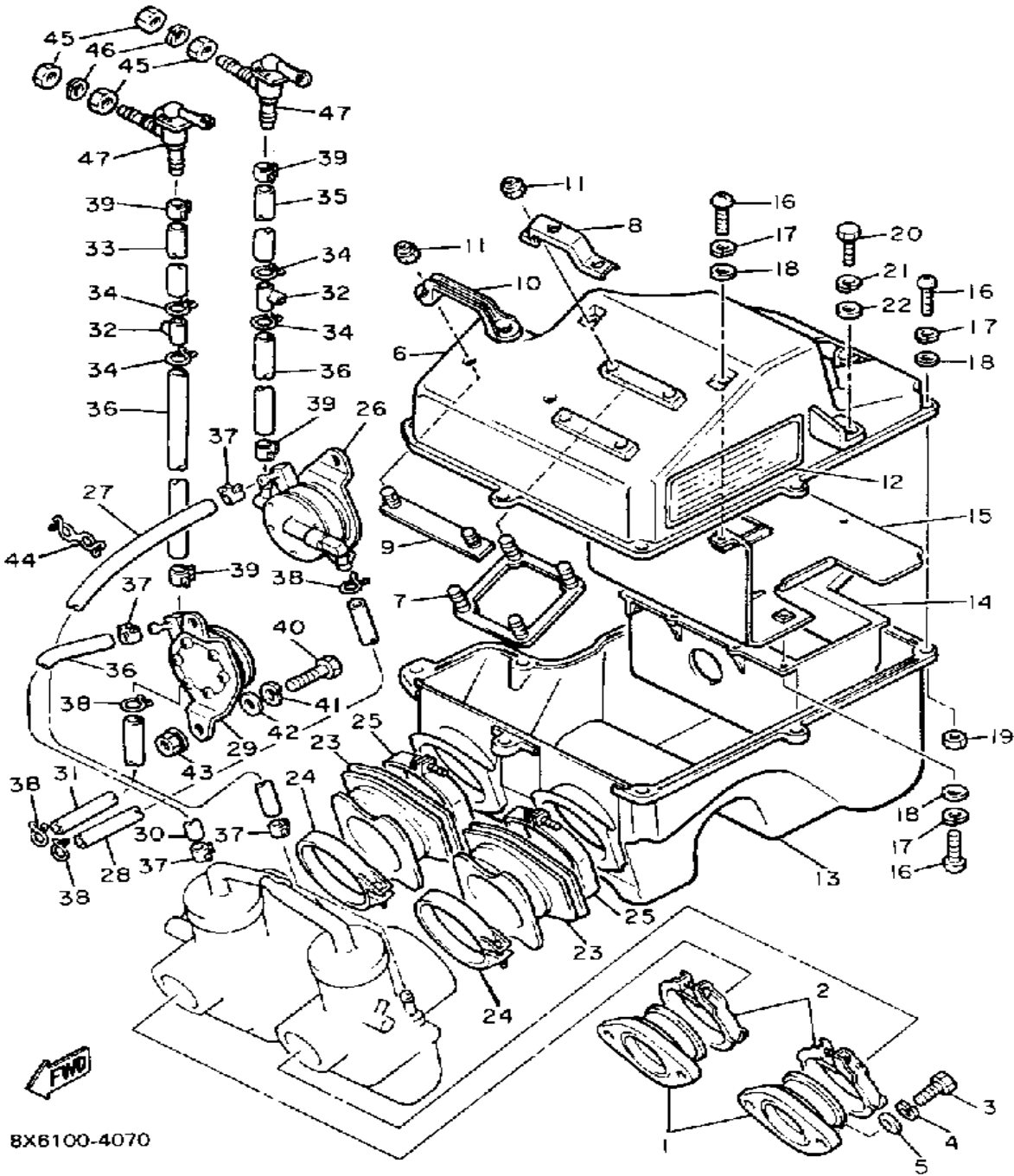
8X6100-4070

Ref. No.	Part Number	Description	Qty	Remarks
1	8A8-13555-01-00	MANIFOLD, INTAKE (8A8-13555-01)	2	
2	86M-13575-00-00	BAND	2	
3	90105-08172-00	BOLT, WASHER BASED	4	
4	92990-08100-00	WASHER	4	
5	92901-08600-00	WASHER	4	
6	8M6-14431-00-00	SILENCER, INTAKE 1	1	
7	8U9-14484-00-00	PLATE, CLNR CS FTNG	1	
8	8U9-82316-00-00	BRACKET, IGN COIL	2	
9	8M6-14484-00-00	PLATE, CLNR CS FTNG	1	
10	8M6-14497-00-00	STAY, THRTL VALVE	1	
11	95706-06300-00	NUT, NYLON	6	
12	8A5-14488-00-00	LABEL, CAUTION	1	
13	8M6-14441-01-00	SILENCER, INTAKE 2	1	
14	8R9-14472-00-00	PLATE, ELEMENT	1	
15	8R9-14477-00-00	PLATE	1	
16	98580-05016-00	SCREW, PAN HEAD	11	
17	92990-05100-00	WASHER, SPRING	11	
18	92901-05600-00	WASHER, PLATE	11	
19	95311-05700-00	NUT	7	
20	97011-06025-00	BOLT (97001-06025)	2	
21	92995-06100-00	WASHER, SPRING	2	
22	90201-06059-00	WASHER, PLATE	2	
23	8U9-14453-00-00	JOINT, AIR CLNR 1	2	
24	90460-68230-00	CLAMP, HOSE	2	
25	90460-79188-00	CLAMP, HOSE	2	
26	8U9-24410-00-00	FUEL PUMP ASSEMBLY	1	
27	91A30-05045-00	TUBE, FLEXIBLE VINYL	1	
28	90445-10144-00	HOSE	1	

CONTINUED ON NEXT FRAME ►

Property of www.SmallEngineDiscount.com - Not for Resale

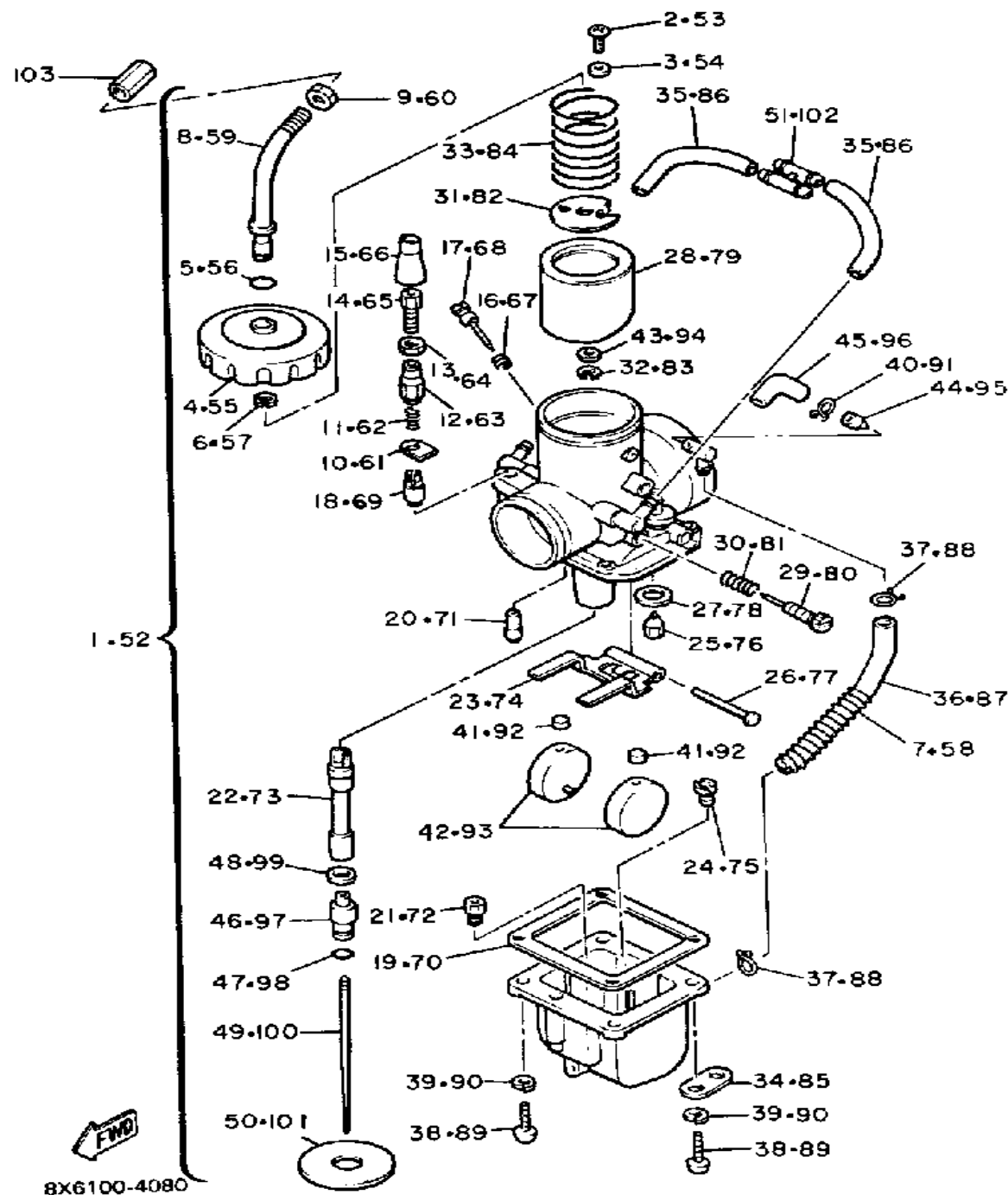
INTAKE



Ref. No.	Part Number	Description	Qty	Remarks
29	8U9-24420-00-00	FUEL PUMP ASSEMBLY	1	
30	90446-09059-00	HOSE	1	
31	90445-10141-00	HOSE	1	
32	815-24379-00-00	PIPE, JOINT 4	2	
33	90446-11020-00	HOSE	1	
34	90467-11009-00	CLIP	4	
35	90446-11019-00	HOSE	1	
36	90446-11205-00	HOSE	2	
37	90467-09026-00	CLIP	4	
38	90467-09006-00	CLIP	4	
39	90467-11028-00	CLIP	4	
40	97013-06012-00	BOLT	4	
41	92995-06100-00	WASHER, SPRING	4	
42	90201-061A5-00	WASHER, PLATE	4	
43	95701-06500-00	NUT, FLANGE	2	
44	90464-10038-00	CLAMP	1	
45	95303-10700-00	NUT	2	
46	92990-10100-00	WASHER, SPRING	2	
47	8X6-24500-00-00	FUEL COCK ASSEMBLY 1	2	

Property of www.SmallEngineDiscount.com - Not for Resale

CARBURETOR

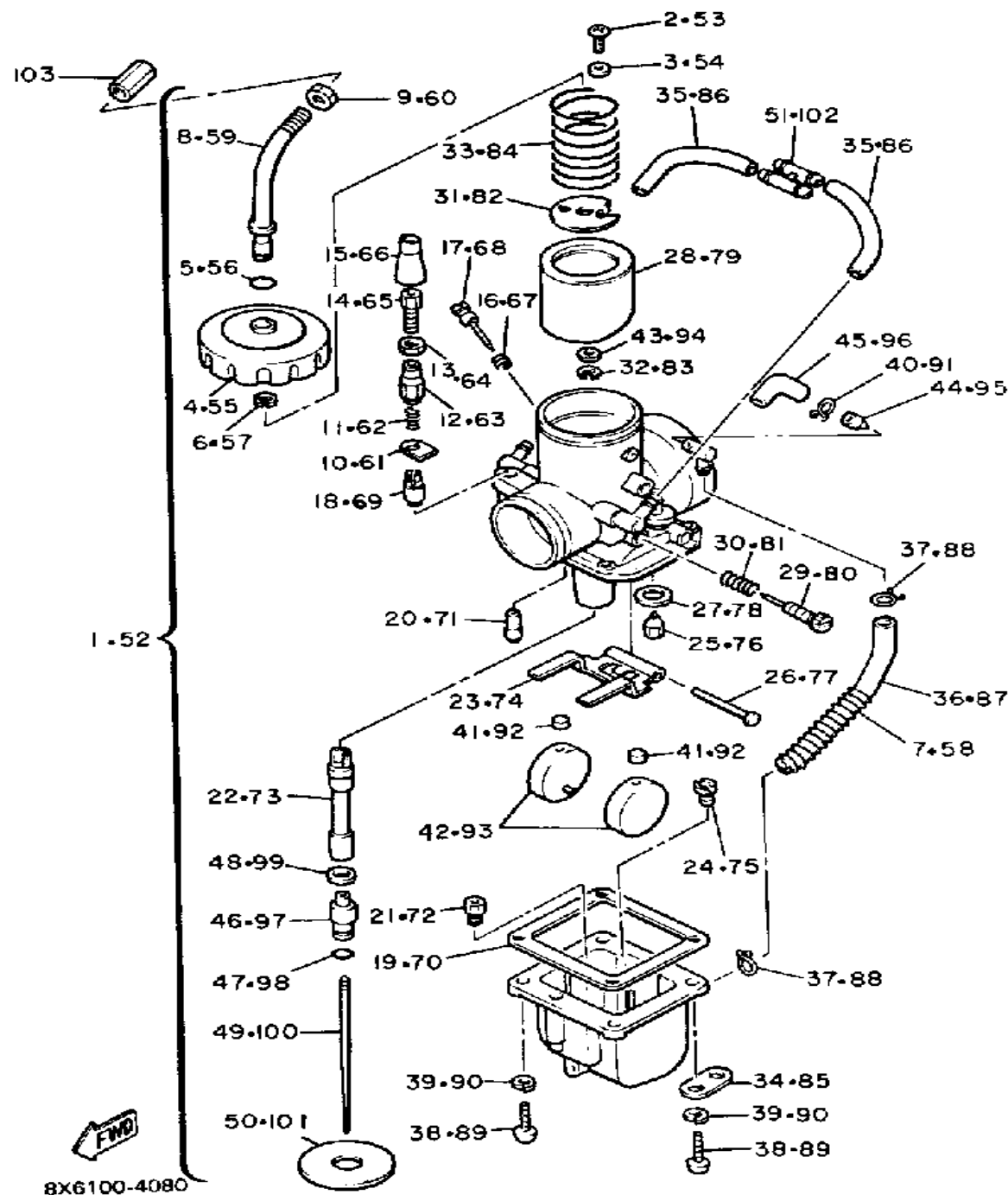


Ref. No.	Part Number	Description	Qty	Remarks
1	8X6-14101-00-00	CARBURETOR ASSEMBLY 1	1	
2	98580-04008-00	. SCREW, PAN HEAD	1	
3	92901-04100-00	. WASHER, SPRING	1	
4	3R4-14158-00-00	. TOP, MIXING CHAMBER	1	
5	8F2-14147-00-00	. O-RING	1	
6	363-14137-00-00	. CLIP	1	
7	8X6-14589-00-00	. SPRING	1	
8	8X6-14155-00-00	. GUIDE, CABLE	1	
9	127-14161-00-00	. NUT, CABLE ADJUSTING	1	
10	8A7-14178-00-00	. PLATE, STARTER LVR	1	
11	127-14135-00-00	. SPRING, PLUNGER	1	
12	8U9-14174-00-00	. CAP, PLUNGER	1	
13	802-14161-00-00	. NUT, CABLE ADJUSTING	1	
14	12G-14106-00-00	. CABLE ADJUST SCREW SET	1	
15	8A7-14169-00-00	. CAP	1	
16	127-14134-00-00	. SPRING, AIR ADJUSTING	1	
17	23X-14104-00-00	. AIR SCREW SET	1	
18	8U9-14171-00-00	. PLUNGER, STARTER	1	
19	363-14184-00-00	. GASKET, FLOAT CHMBR	1	
20	193-14142-40-A1	. JET, PILOT (# 40)	1	U.R. STD
	193-14142-45-A1	. JET, PILOT (# 45)	1	U.R.
21	137-14143-36-A1	. JET, MAIN #1 0	1	U.R.
	137-14143-40-A1	. JET, MAIN #2 0	1	U.R.
	137-14143-42-A1	. JET, MAIN #2 0	1	U.R.
	137-14143-44-A1	. JET, MAIN #2 0	1	U.R.
	137-14143-46-A1	. JET, MAIN (#230)	1	U.R.
	137-14143-48-A1	. JET, MAIN (#240)	1	U.R.
	137-14143-50-A1	. JET, MAIN (#250)	1	U.R.
	137-14143-54-A1	. JET, MAIN (#270)	1	U.R.

CONTINUED ON NEXT FRAME ➤

Property of www.SmallEngineDiscount.com - Not for Resale

CARBURETOR

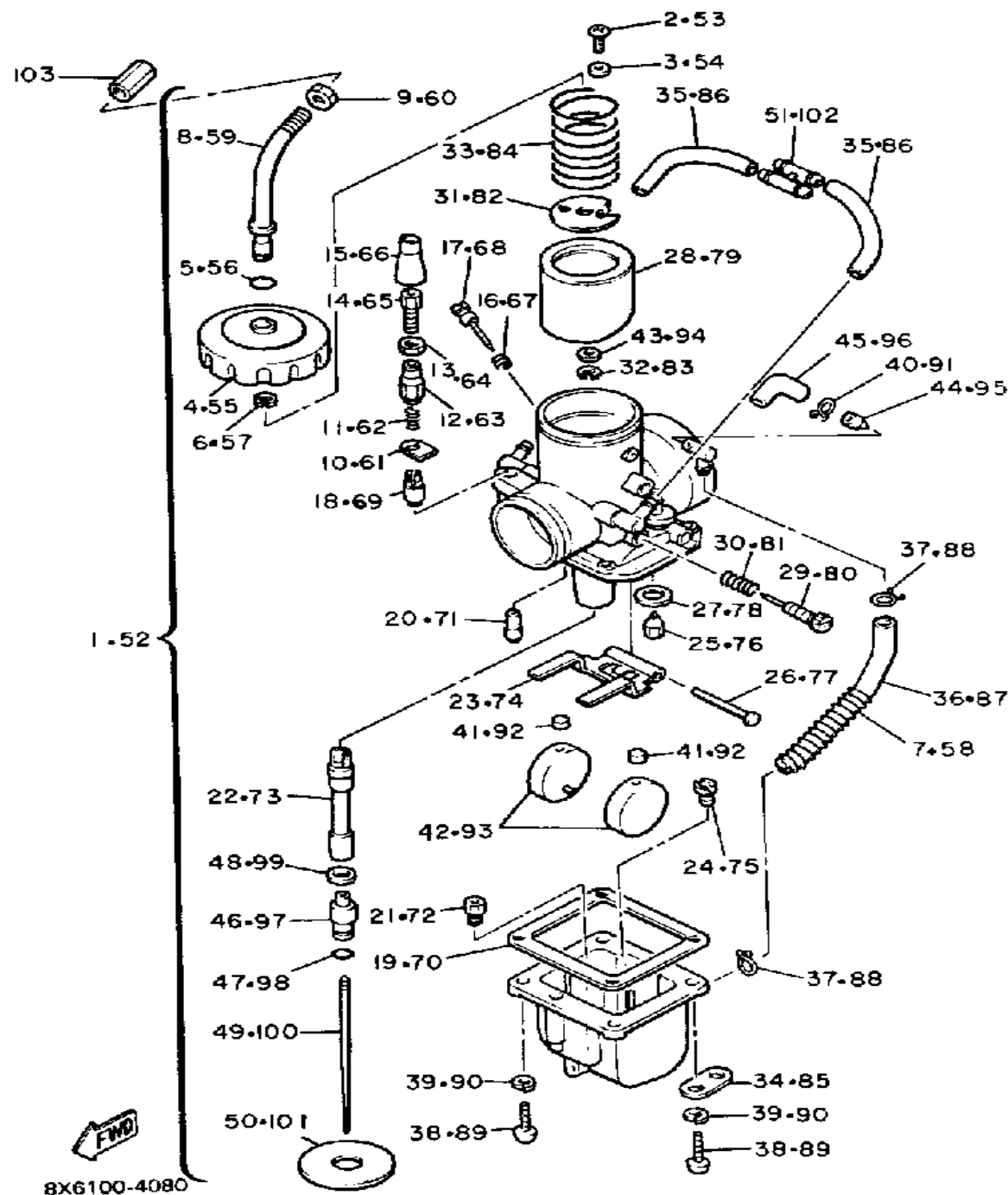


Ref. No.	Part Number	Description	Qty	Remarks
21	137-14143-58-A1	. JET, MAIN (# 290)	1	U.R. STD
	137-14143-62-A1	. JET, MAIN (#310)	1	U.R.
	137-14143-66-A1	. JET MAIN, (# 330)	1	U.R.
22	363-14141-50-00	. NOZZLE, MAIN	1	
23	363-14187-00-00	. ARM, FLOAT	1	
24	256-14944-27-A1	. JET, MAIN 1 5	1	
25	500-14190-15-00	. NEEDLE VALVE ASSEMBLY	1	
26	537-14186-00-00	. PIN, FLOAT	1	
27	239-14195-00-00	. WASHER, NEEDLE VALVE	2	
28	8X6-14112-30-00	. VALVE, THROTTLE 1	1	
29	1L8-14122-00-00	. SCREW, THROTTLE	1	
30	137-14133-00-00	. SPRING, THRTL STOP	1	
31	3V3-14136-00-00	. SEAT, SPRING	1	
32	164-14137-00-00	. CLIP	1	
33	363-14131-00-00	. SPRING, THROTTLE VALVE	1	
34	313-14146-00-00	. PLATE	1	
35	8G8-14196-00-00	. PIPE, OVERFLOW	2	
36	8G8-14196-00-00	. PIPE, OVERFLOW	1	
37	8A7-14139-00-00	. CLIP, PIPE	2	
38	98580-05016-00	. SCREW, PAN HEAD	4	
39	92990-05100-00	. WASHER, SPRING	4	
40	8U9-14139-00-00	. CLIP, PIPE	1	
41	214-14118-00-00	. CAP	2	
42	214-14185-00-00	. FLOAT	2	
43	2H0-14235-00-00	. WASHER, NEEDLE	2	
44	239-14172-15-00	. PILOT JET, AIR (1.5)	1	
45	22U-14987-00-00	. HOSE	1	
46	276-14145-00-00	. SETTER, NEEDLE JET	1	
47	214-14147-00-00	. O-RING	1	

CONTINUED ON NEXT FRAME ➤

Property of www.SmallEngineDiscount.com - Not for Resale

CARBURETOR

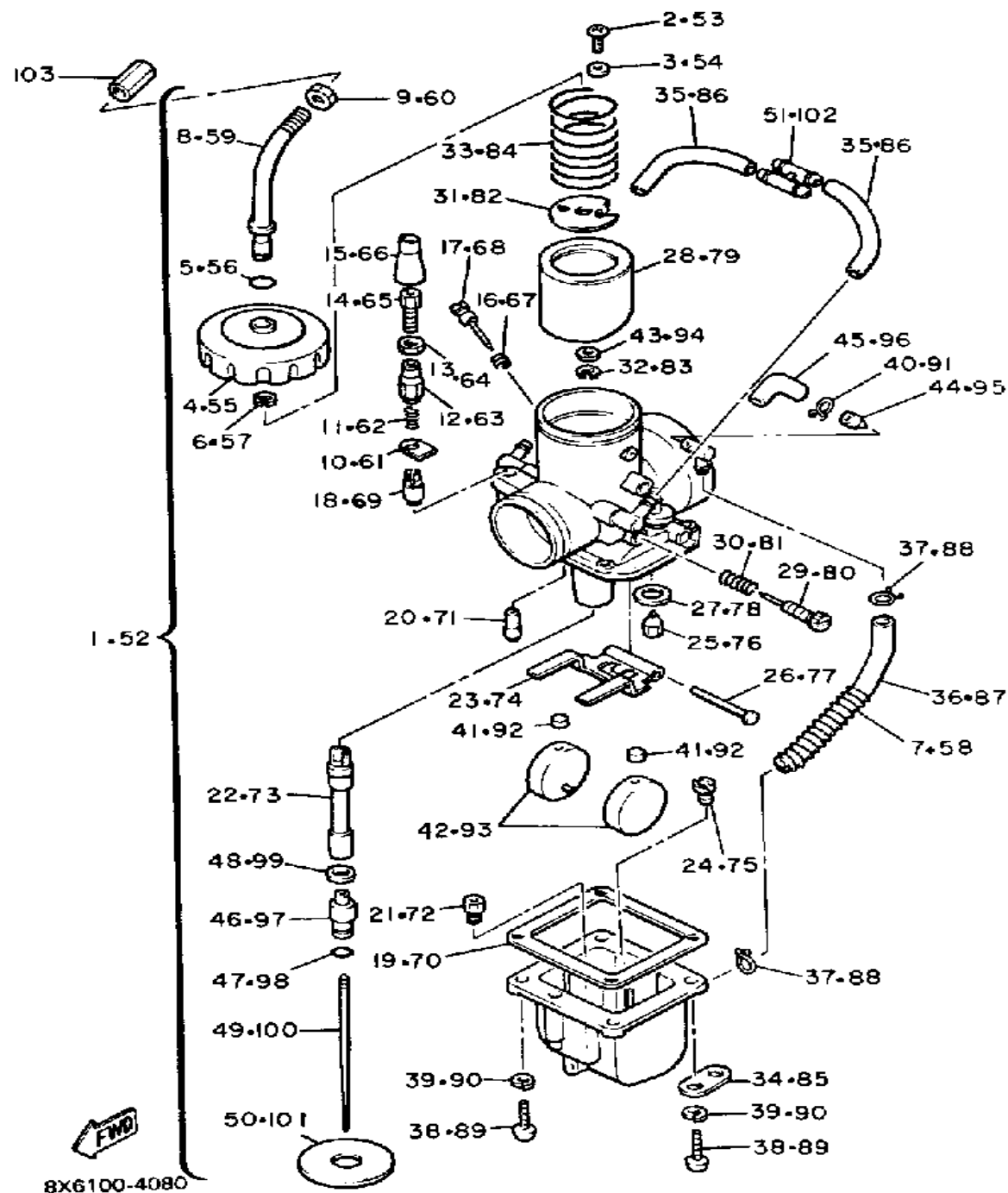


Ref. No.	Part Number	Description	Qty	Remarks
48	137-14153-00-00	. WASHER, MAIN JET	1	
49	275-14116-A0-00	. NEEDLE	1	
50	510-14146-00-00	. PLATE	1	
51	8J0-14251-00-00	. NIPPLE	1	
52	8X6-14102-00-00	CARBURETOR ASSEMBLY 2	1	
53	98580-04008-00	. SCREW, PAN HEAD	1	
54	92901-04100-00	. WASHER, SPRING	1	
55	3R4-14158-00-00	. TOP, MIXING CHAMBER	1	
56	8F2-14147-00-00	. O-RING	1	
57	363-14137-00-00	. CLIP	1	
58	8X6-14589-00-00	. SPRING	1	
59	8X6-14155-00-00	. GUIDE, CABLE	1	
60	127-14161-00-00	. NUT, CABLE ADJUSTING	1	
61	8A7-14178-00-00	. PLATE, STARTER LVR	1	
62	127-14135-00-00	. SPRING, PLUNGER	1	
63	8U9-14174-00-00	. CAP, PLUNGER	1	
64	802-14161-00-00	. NUT, CABLE ADJUSTING	1	
65	12G-14106-00-00	. CABLE ADJUST SCREW SET	1	
66	8A7-14169-00-00	. CAP	1	
67	127-14134-00-00	. SPRING, AIR ADJUSTING	1	
68	23X-14104-00-00	. AIR SCREW SET	1	
69	8U9-14171-00-00	. PLUNGER, STARTER	1	
70	363-14184-00-00	. GASKET, FLOAT CHMBR	1	
71	193-14142-40-A1	. JET, PILOT (# 40)	1	U.R. STD
	193-14142-45-A1	. JET, PILOT (# 45)	1	U.R.
72	137-14143-36-A1	. JET, MAIN #1 0	1	U.R.
	137-14143-40-A1	. JET, MAIN #2 0	1	U.R.
	137-14143-42-A1	. JET, MAIN #2 0	1	U.R.
	137-14143-44-A1	. JET, MAIN #2 0	1	U.R.

CONTINUED ON NEXT FRAME ➤

Property of www.SmallEngineDiscount.com - Not for Resale

CARBURETOR

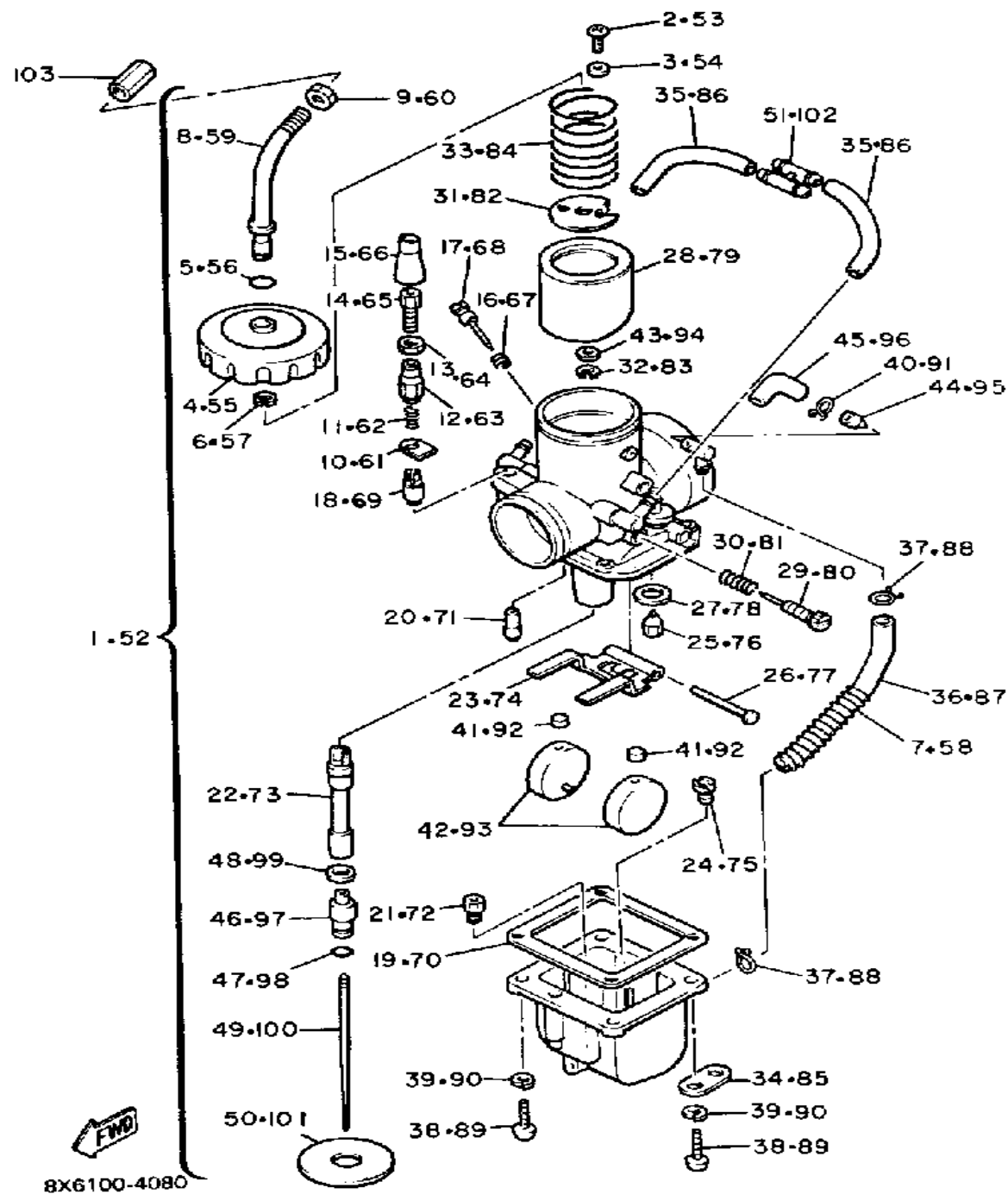


Ref. No.	Part Number	Description	Qty	Remarks
72	137-14143-46-A1	. JET, MAIN (#230)	1	U.R.
	137-14143-48-A1	. JET, MAIN (#240)	1	U.R.
	137-14143-50-A1	. JET, MAIN (#250)	1	U.R.
	137-14143-54-A1	. JET, MAIN (#270)	1	U.R.
	137-14143-58-A1	. JET, MAIN (# 290)	1	U.R. STD
	137-14143-62-A1	. JET, MAIN (#310)	1	U.R.
	137-14143-66-A1	. JET MAIN, (# 330)	1	U.R.
73	363-14141-50-00	. NOZZLE, MAIN	1	
74	363-14187-00-00	. ARM, FLOAT	1	
75	256-14944-26-00	. JET, MAIN 130 (#130)	1	
76	500-14190-15-00	. NEEDLE VALVE ASSEMBLY	1	
77	537-14186-00-00	. PIN, FLOAT	1	
78	239-14195-00-00	. WASHER, NEEDLE VALVE	2	
79	8X6-14112-30-00	. VALVE, THROTTLE 1	1	
80	1L8-14122-00-00	. SCREW, THROTTLE	1	
81	137-14133-00-00	. SPRING, THRTL STOP	1	
82	3V3-14136-00-00	. SEAT, SPRING	1	
83	164-14137-00-00	. CLIP	1	
84	363-14131-00-00	. SPRING, THROTTLE VALVE	1	
85	313-14146-00-00	. PLATE	1	
86	8G8-14196-00-00	. PIPE, OVERFLOW	2	
87	8G8-14196-00-00	. PIPE, OVERFLOW	1	
88	8A7-14139-00-00	. CLIP, PIPE	2	
89	98580-05016-00	. SCREW, PAN HEAD	4	
90	92990-05100-00	. WASHER, SPRING	4	
91	8U9-14139-00-00	. CLIP, PIPE	1	
92	214-14118-00-00	. CAP	2	
93	214-14185-00-00	. FLOAT	2	
94	2H0-14235-00-00	. WASHER, NEEDLE	2	

CONTINUED ON NEXT FRAME ➤

Property of www.SmallEngineDiscount.com - Not for Resale

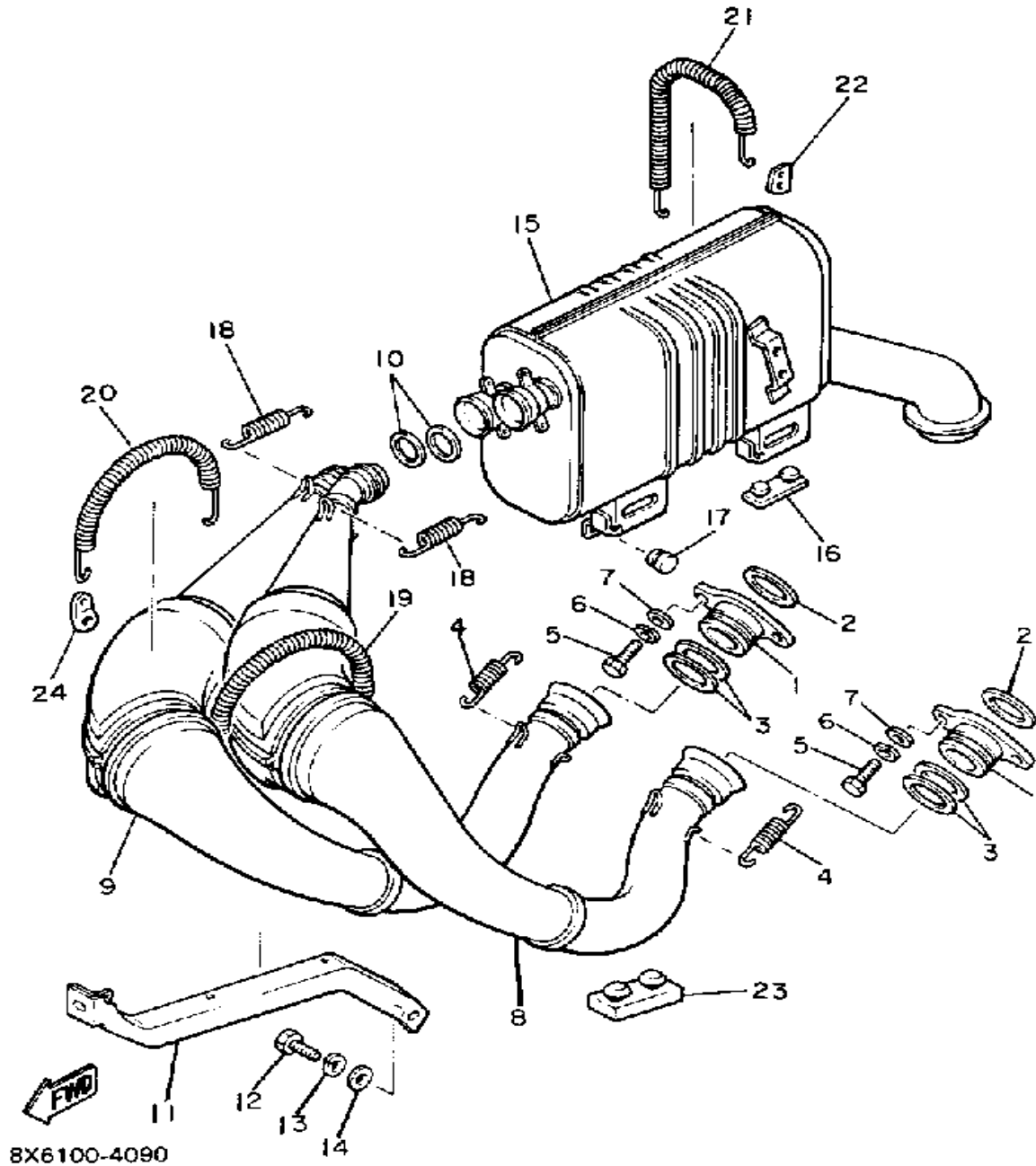
CARBURETOR



Ref. No.	Part Number	Description	Qty	Remarks
95	239-14172-18-00	. PILOT JET, AIR (1.8)	1	
96	22U-14987-00-00	. HOSE	1	
97	276-14145-00-00	. SETTER, NEEDLE JET	1	
98	214-14147-00-00	. O-RING	1	
99	137-14153-00-00	. WASHER, MAIN JET	1	
100	275-14116-A0-00	. NEEDLE	1	
101	510-14146-00-00	. PLATE	1	
102	8J0-14251-00-00	. NIPPLE	1	
103	8A7-26323-00-00	NUT, AJUSTING	2	

Property of www.SmallEngineDiscount.com - Not for Resale

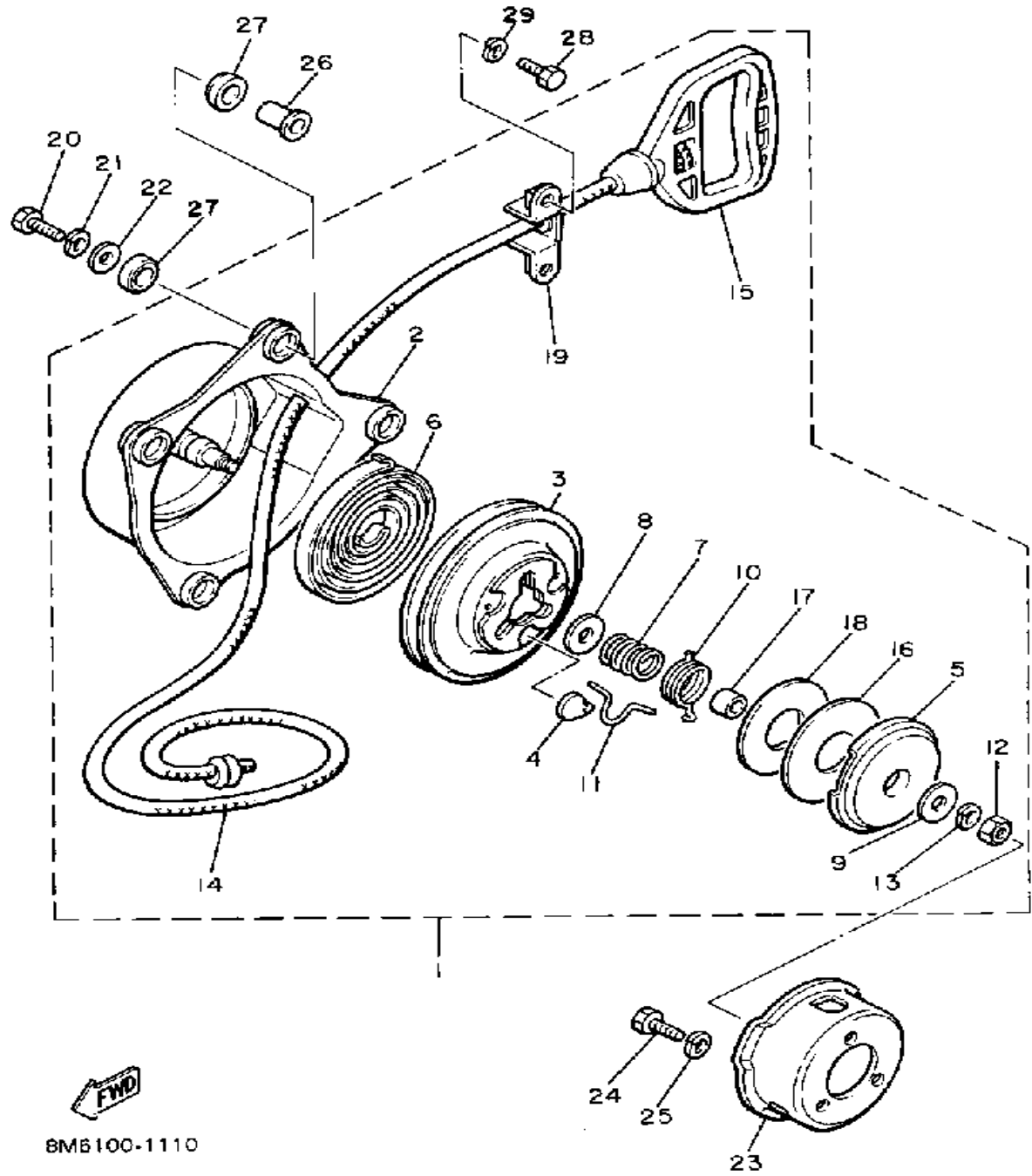
EXHAUST



Ref. No.	Part Number	Description	Qty	Remarks
1	8U9-14612-00-00	NUT, RING	2	
2	821-14613-01-00	GASKET, EXHAUST PIPE	2	
3	888-14633-00-00	RING	4	
4	90506-20306-00	SPRING, TENSION	4	
5	97013-08025-00	BOLT	4	
6	92990-08100-00	WASHER	4	
7	92901-08600-00	WASHER	4	
8	8U9-14610-00-00	EXHAUST PIPE ASSEMBLY L .	1	
9	8U9-14620-00-00	EXHAUST PIPE ASSEMBLY R .	1	
10	8F2-14633-00-00	RING	2	
11	8M6-14771-00-00	STAY, MUFFLER 1	1	
12	97011-08016-00	BOLT	1	
13	92990-08100-00	WASHER	1	
14	92990-08200-00	WASHER, PLAIN	1	
15	8U9-14640-00-00	2ND SILENCER, MUFFMUFFLER	1	
16	8A5-14728-02-00	PROTECTOR, MUFFLER 2	3	
17	90480-11298-00	GROMMET	1	
18	90506-20093-00	SPRING, TENSION	4	
19	90506-16335-00	SPRING, TENSION	1	
20	90506-16198-00	SPRING, TENSION	1	
21	90506-16210-00	SPRING, TENSION	1	
22	8M6-14768-00-00	STOPPER	1	
23	8R9-14728-00-00	PROTECTOR, MUFF 2	1	
24	8U9-14768-00-00	STOPPER	1	

Property of www.SmallEngineDiscount.com - Not for Resale

STARTER



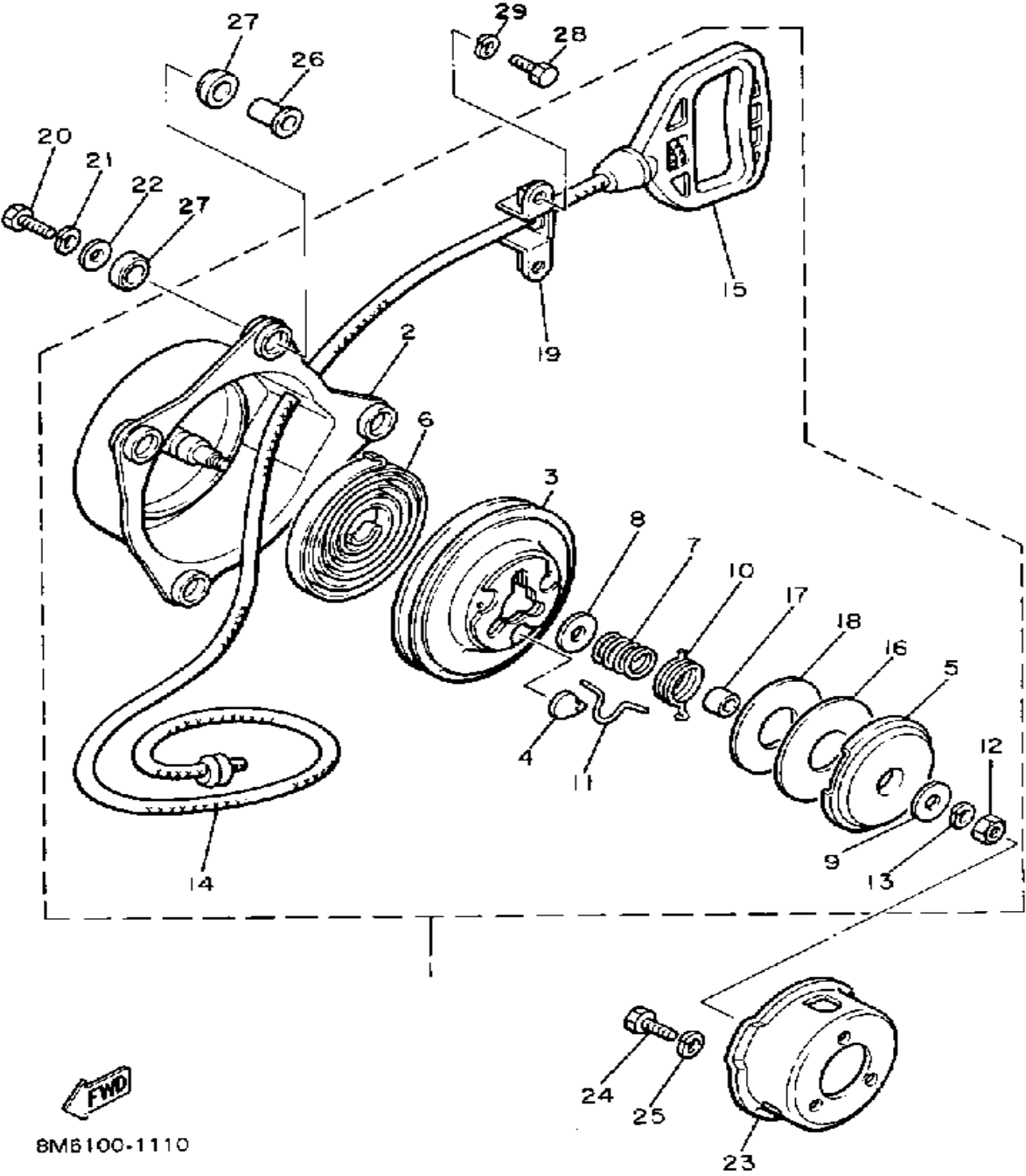
Ref. No.	Part Number	Description	Qty	Remarks
1	8M6-15710-04-00	STARTER ASSEMBLY (8M6-15710-02)	1	
2	8M6-15711-04-00	. CASE, STARTER (8M6-15711-01)	1	
3	857-15714-00-00	. DRUM, SHEAVE	1	
4	616-15741-01-00	. PAWL, DRIVE	3	
5	8A7-15716-00-00	. PLATE, DRIVE	1	
6	8Y0-15713-00-00	. SPRING, STARTER	1	
7	626-15715-01-00	. SPRING, DRIVE PLATE (807-15715-00)	1	
8	(802-15726-00-00)	WASHER, FLAT	1	
9	807-15726-01-00	. WASHER, FLAT	1	
10	811-15734-00-00	. SPRING, RETURN	1	
11	811-15784-00-00	. SPRING, RETURN	3	
12	95303-08700-00	. NUT	1	
13	92990-08100-00	. WASHER	1	
14	857-15751-00-00	. WIRE, STARTER	1	
15	8F3-15755-00-00	. HANDLE, STARTER	1	
16	8A7-15719-00-00	. WASHER, THRUST	1	
17	8A7-15753-00-00	. BUSH	1	
18	8A7-15739-00-00	. WASHER, THRUST	1	
19	8K4-15788-00-00	. HOLDER, HANDLE	1	
20	97313-06040-00	BOLT, HEXAGON	4	
21	92995-06100-00	WASHER, SPRING	4	
22	90201-06067-00	WASHER, PLATE	4	
23	8M6-15723-01-00	PULLEY, STARTER	1	
24	97011-08016-00	BOLT	3	
25	92990-08100-00	WASHER	3	
26	90387-061F8-00	COLLAR	4	
27	90385-12036-00	BUSH	8	

FWD
8MB100-1110

CONTINUED ON NEXT FRAME ➤

Property of www.SmallEngineDiscount.com - Not for Resale

STARTER



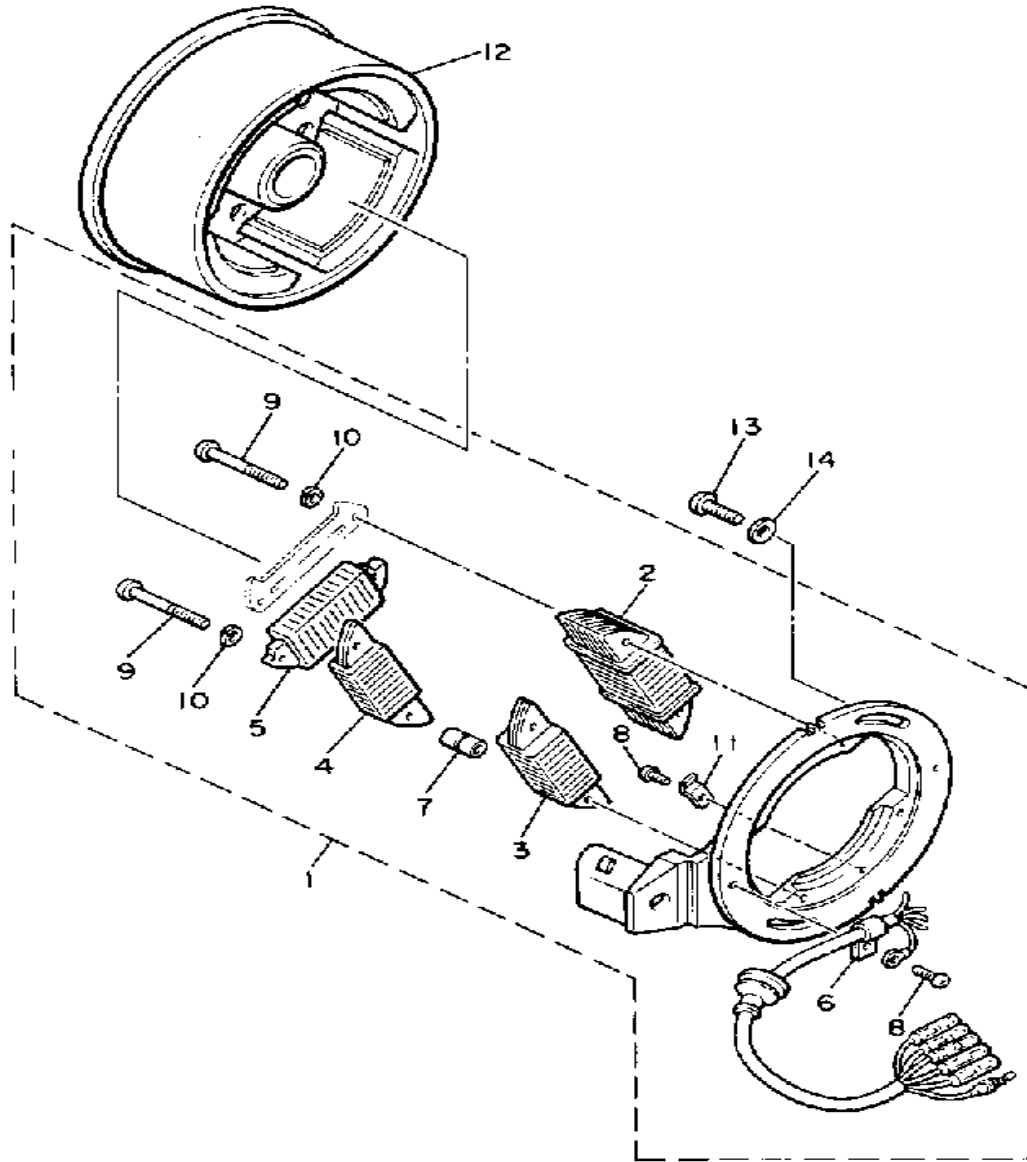
Ref. No.	Part Number	Description	Qty	Remarks
28	97026-06012-00	BOLT	2	
29	92906-06100-00	WASHER, SPRING	2	

 8MB100-1110

Property of www.SmallEngineDiscount.com - Not for Resale

B10

GENERATOR



Ref. No.	Part Number	Description	Qty	Remarks
1	UNA-VAILA-BL-EI	0 0		
2	8K4-85513-10-00	. COIL, LIGHTING 1	1	
3	8X6-85520-10-00	. COIL, CHARGE	1	
4	8X6-85521-10-00	. COIL ASSEMBLY	1	
5	8X6-85541-10-00	. COIL, CHARGE	1	
6	(8R9-81328-10-00)	CLAMP	1	
7	(8X6-81318-10-00)	SPACER	2	
8	98580-04008-00	. SCREW, PAN HEAD	3	
9	98501-05040-00	. SCREW, PAN HEAD (98502-05040)	4	
10	92990-05100-00	. WASHER, SPRING	4	
11	482-81328-10-00	. CLAMP	1	
12	8X6-85550-10-00	ROTOR ASSEMBLY	1	
13	98980-06016-00	SCREW, BINDING	2	
14	90201-06043-00	WASHER, PLATE	2	

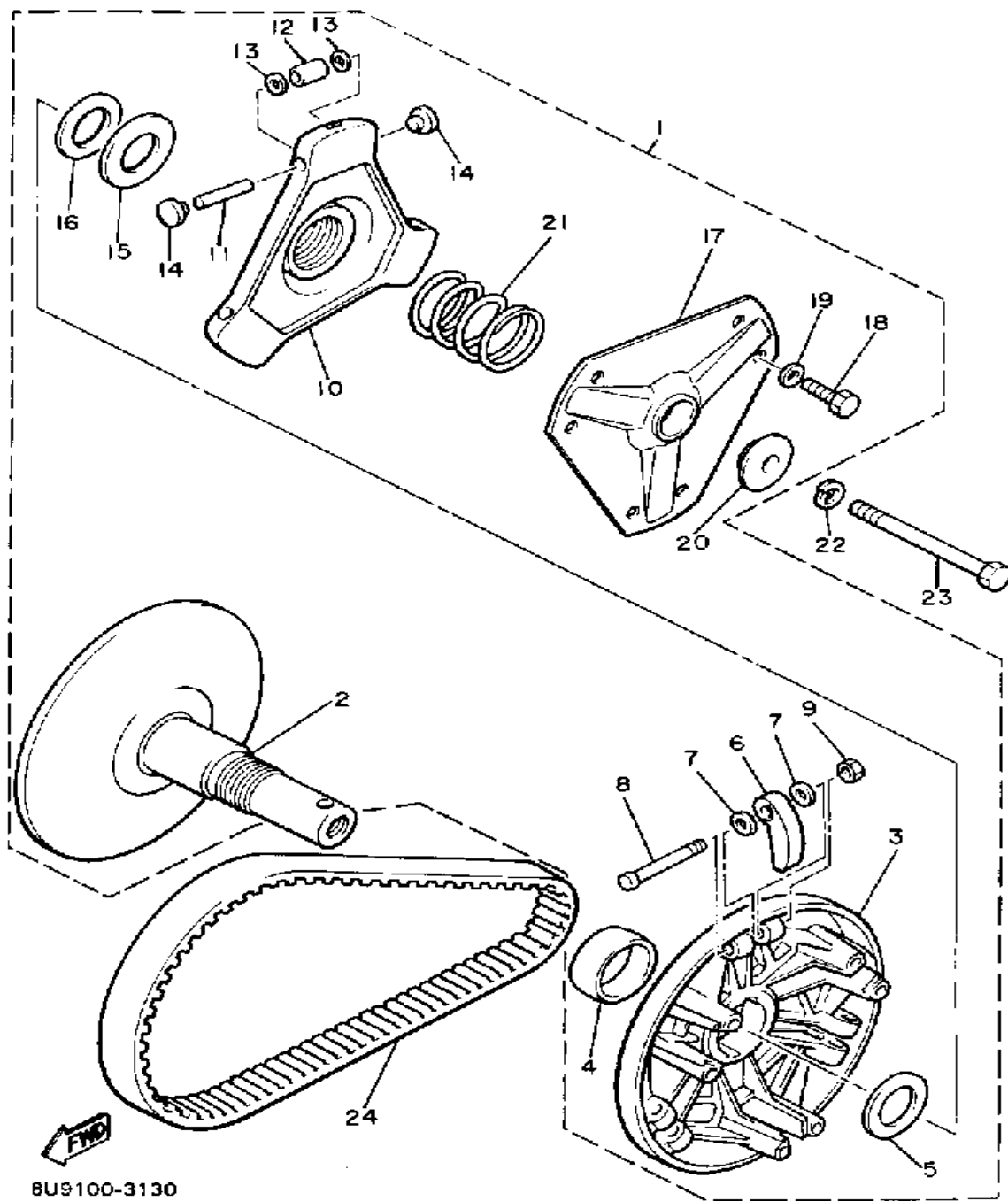
ELECTRICAL - Mfr. / Type	Hilacm / GM
Battery Model / Specific Gravity / Charge Rate	Ø
Charging Coil Color Code / Resistance	Ø
Headlight / Taillight / Meter Light Ratings	12V60-55W / 12V23-8W / 12V3.4W
Lighting Coil Color Code / Resistance / Output	Yel ~ Blk / 0.25Ω ± 10% / N/A
Handlebar Heater Coil Color Code / Resistance	Yel-Blk ~ Blk / 0.77Ω ± 10%
Ignition Co / Resistance Primary / Secondary	0.12Ω ± 10% / 4.0KΩ ± 20%
Source Coil Color Code / Resistance	Brn ~ Red / 245Ω ± 10% Whl-Red ~ Red / 10Ω ± 80%
Pulser Coil Color Code / Resistance	Whl-Grn ~ Blk / 100Ω ± 10%
Spark Plug Type / Gap / Torque	NGK BR9EV / 0.7 ~ 0.8mm / 2.7m-lb
Ignition Timing	1.6mm BTDC



8X6100-4330

Property of www.SmallEngineDiscount.com - Not for Resale

PRIMARY SHEAVE

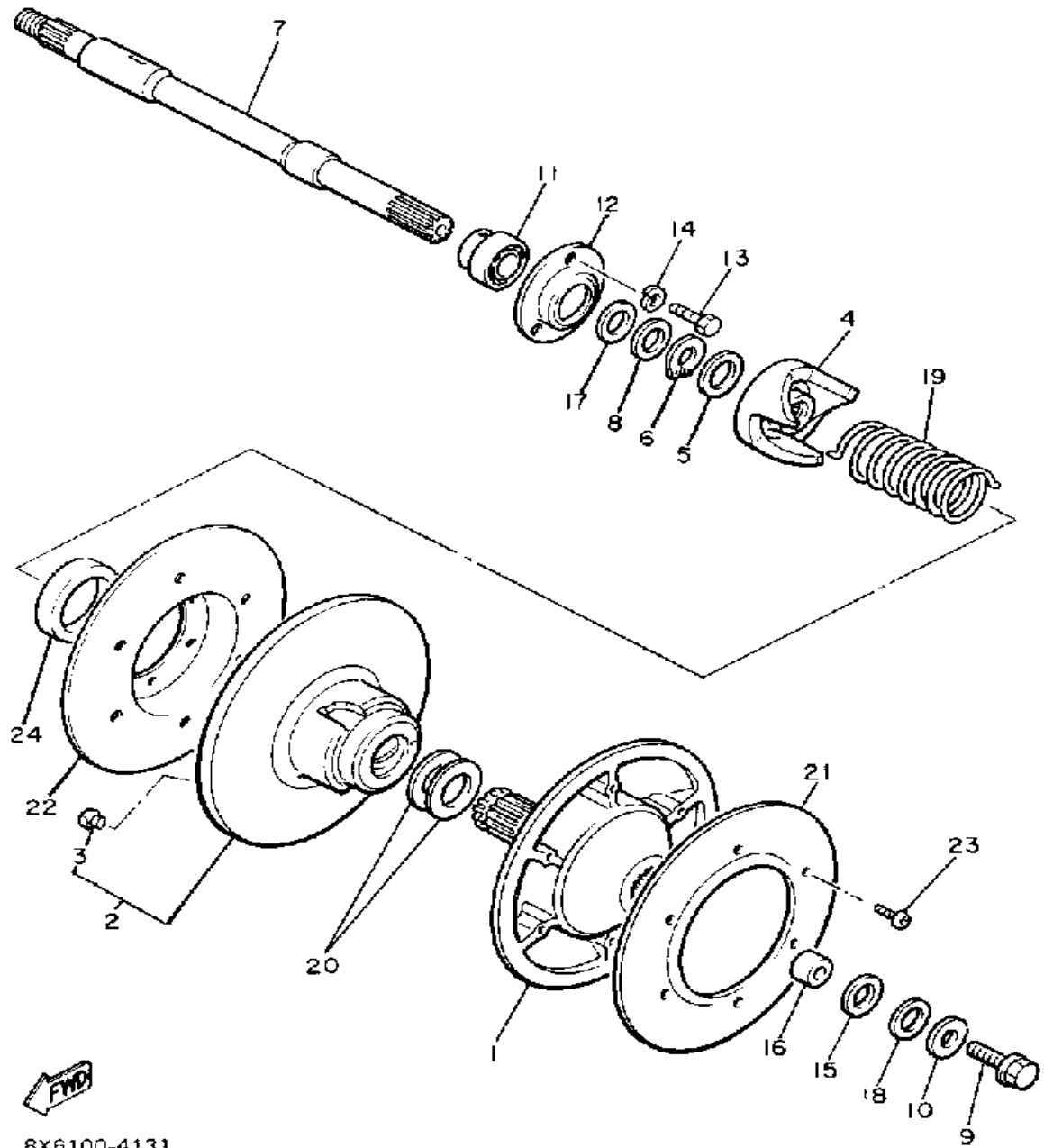


8U9100-3130

Ref. No.	Part Number	Description	Qty	Remarks
1	8U9-17601-00-00	PRIMARY SHEAVE ASSEMBLY	1	
2	8U7-17610-00-00	. PRI FIXED SHEAVE COMP	1	
3	8U7-17621-00-00	. SHEAVE, PRI SLIDING	1	
4	8U7-17625-00-00	. BUSH COMET	1	
5	(8U7-17639-00-00)	STOPPER	1	
6	8U9-17633-00-00	. WEIGHT, A-3 V-MAX	3	
7	8U7-17649-00-00	. SPACER	6	
8	8U7-17616-00-00	. BOLT WEIGHT COMET	3	
9	8U7-17668-00-00	. NUT	3	
10	8U7-17627-00-00	. SPIDER	1	
11	8U7-17636-00-00	. PIN	3	
12	8U7-17645-00-00	. COLLAR	3	
13	8U7-17658-00-00	. WASHER, BELLEVILLE	6	
14	8U7-17653-00-00	. SLIDER	6	
15	8U7-17654-00-00	. SPACER 1	1	
16	8U9-17687-00-00	. SHIM	1	
17	8U7-17630-00-00	. PRI SHV CAPCAP COMP	1	
18	8U7-17617-00-00	. BOLT CAP COMET	6	
19	8U7-17646-00-00	. WASHER, LOCK	6	
20	8U7-17648-00-00	. WASHER	1	
21	8U9-17643-10-00	. SPRING, PRIMARY	1	U.R.
22	90204-13010-00	. WASHER, SPRING	1	
23	8U7-17647-01-00	BOLT	1	
24	8M6-17641-00-00	V-BELT	1	

Property of www.SmallEngineDiscount.com - Not for Resale

SECONDARY SHEAVE

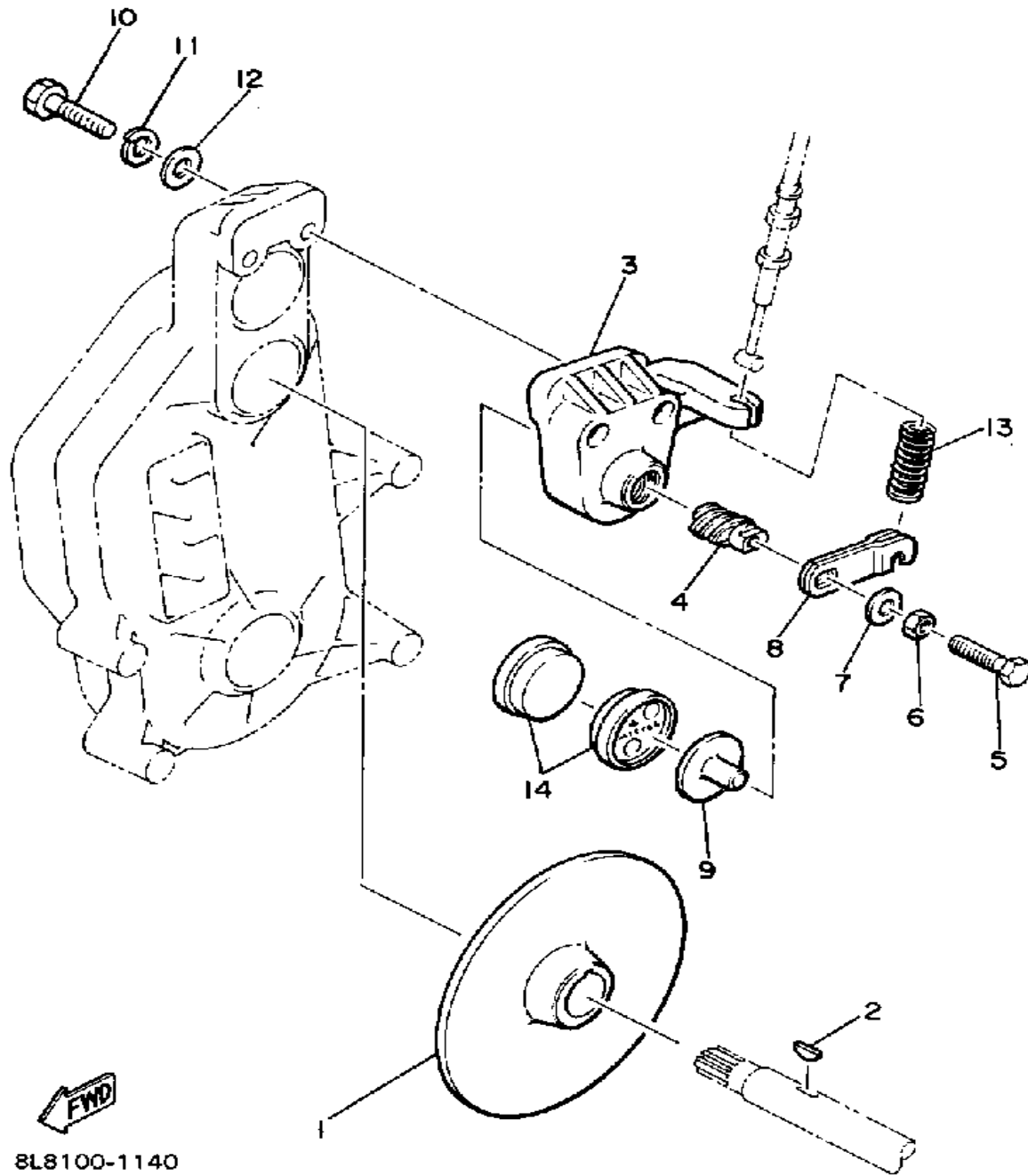


8X6100-4131

Ref. No.	Part Number	Description	Qty	Remarks
1	80R-17660-01-00	SEC. FIXED SHEAVECOMP	1	
2	80N-17670-01-00	SEC.SLIDING SHEAVE	1	
3	8X6-17688-00-00	. SHOE, RAMP	3	
4	8U7-17684-01-00	SEAT, SEC SPRING	1	
5	90201-34684-00	WASHER, PLATE	1	
6	93440-34170-00	CIRCLIP	1	
7	82M-17681-00-00	SHAFT, SECONDARY	1	
8	90201-25526-00	WASHER, PLATE (T2.0)	1	U.R.
	90201-25527-00	WASHER, PLATE (T1.0)	1	U.R.
9	90105-14175-00	BOLT, WASHER BASED	1	
10	90201-140A6-00	WASHER, PLATE	1	
11	8L8-17678-00-00	BEARING	1	
12	8K4-47631-01-00	HOUSING, BEARING	1	
13	97011-08016-00	BOLT	3	
14	92990-08100-00	WASHER	3	
15	90201-225A4-00	WASHER, PLATE (T1.0)	1	
16	90387-147A8-00	COLLAR	1	
17	90201-252F1-00	WASHER, PLATE (T0.5)	1	
18	90201-222F0-00	WASHER, PLATE (T0.5)	1	
19	90508-50571-00	SPRING, TORSION	1	
20	90201-345G2-00	WASHER, PLATE	2	
21	81H-17665-00-00	PLATE 1	1	OPT. PARTS
22	81H-17675-00-00	PLATE 2	1	OPT. PARTS
23	98580-05010-00	SCREW, PAN HEAD	12	OPT. PARTS
24	90380-90117-00	BUSH, SOLID	1	

Property of www.SmallEngineDiscount.com - Not for Resale

BRAKE

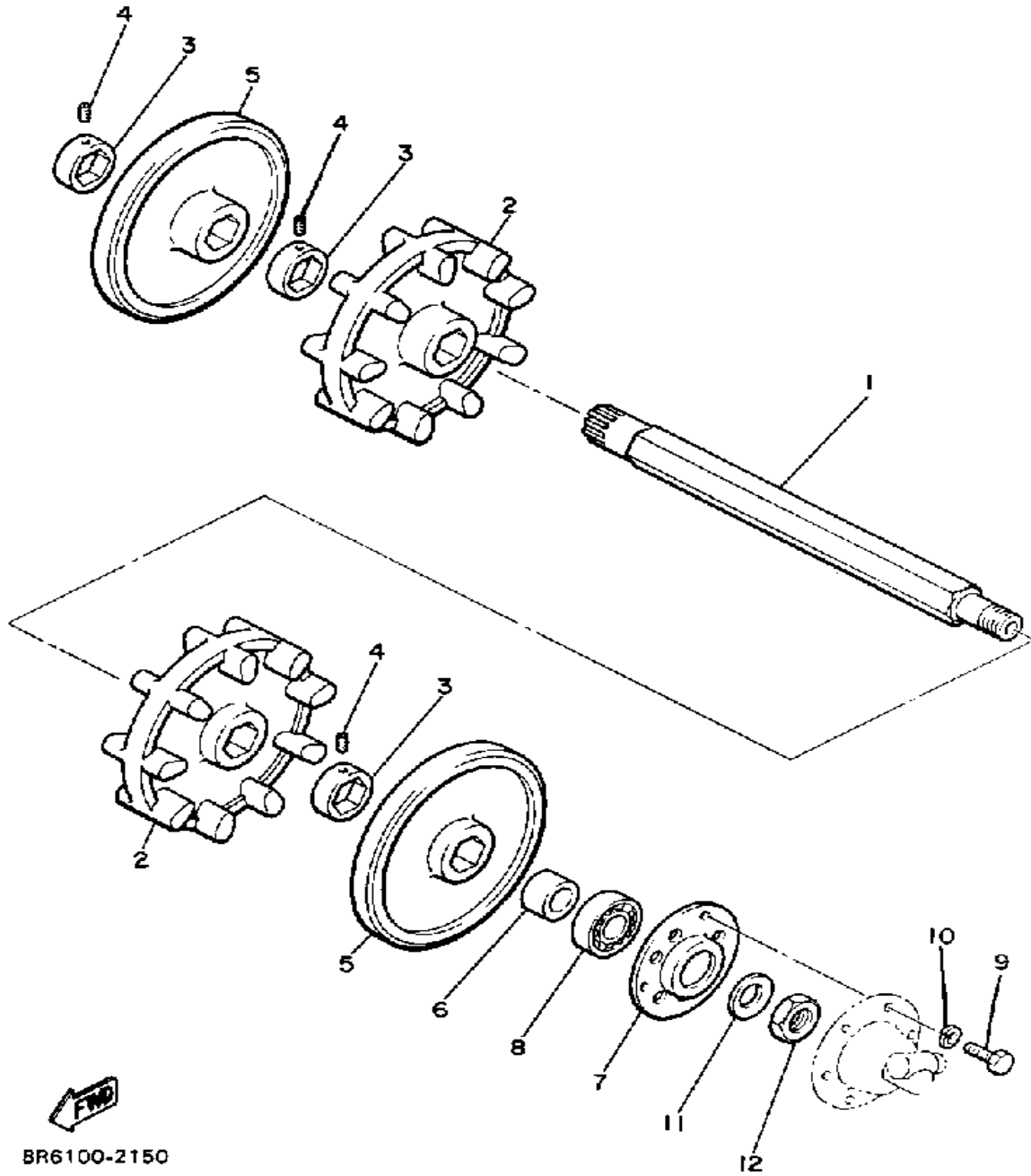


8L8100-1140

Ref. No.	Part Number	Description	Qty	Remarks
1	8L8-25831-00-00	DISC, BRAKE (R)	1	
2	8J7-25848-00-00	KEY	1	
3	8K4-25731-00-00	BODY, CALIPER 1	1	
4	878-25728-00-00	CAM	1	
5	90101-08499-00	BOLT	1	
6	95303-08700-00	NUT	1	
7	92901-08600-00	WASHER	1	
8	878-25726-00-00	LEVER, BRAKE	1	
9	878-25733-00-00	PLATE, BACK UP	1	
10	97313-10055-00	BOLT, HEXAGON (97322-10055)	2	
11	92990-10100-00	WASHER, SPRING	2	
12	92990-10600-00	WASHER, PLATE	2	
13	90501-23337-00	SPRING, COMPRESSION	1	
14	84X-25811-01-00	PAD, CALIPER 2	2	U.R.

Property of www.SmallEngineDiscount.com - Not for Resale

TRACK DRIVE 1

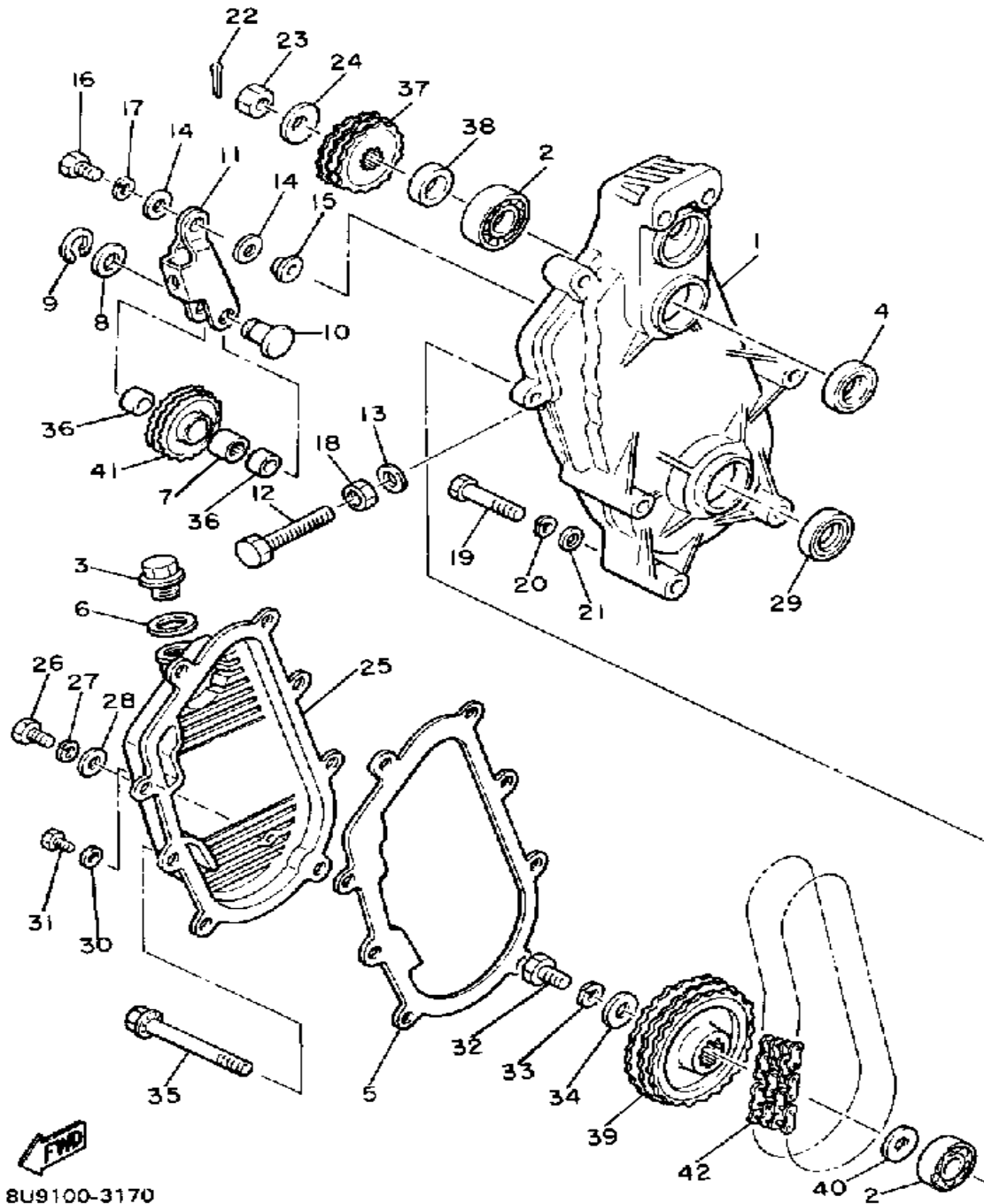


BR6100-2150

Ref. No.	Part Number	Description	Qty	Remarks
1	8L0-W4751-00-00	AXLE, FRONT	1	
2	8R6-W4753-01-00	WHEEL, SPROCKET 1	2	
3	8K1-47526-00-00	COLLAR	3	
4	90113-06039-00	BOLT, SET	3	
5	8L9-47534-01-00	WHEEL, GUIDE 1	2	
6	90387-220A6-00	COLLAR	1	
7	8K4-47551-00-00	HOUSING, FRONT AXLE	1	
8	93306-00420-00	BEARING (B6004)	1	
9	97011-08016-00	BOLT	3	
10	92990-08100-00	WASHER	3	
11	90208-22001-00	WASHER, CONICAL SPRING	1	
12	90170-22094-00	NUT	1	

Property of www.SmallEngineDiscount.com - Not for Resale

TRACK DRIVE 2



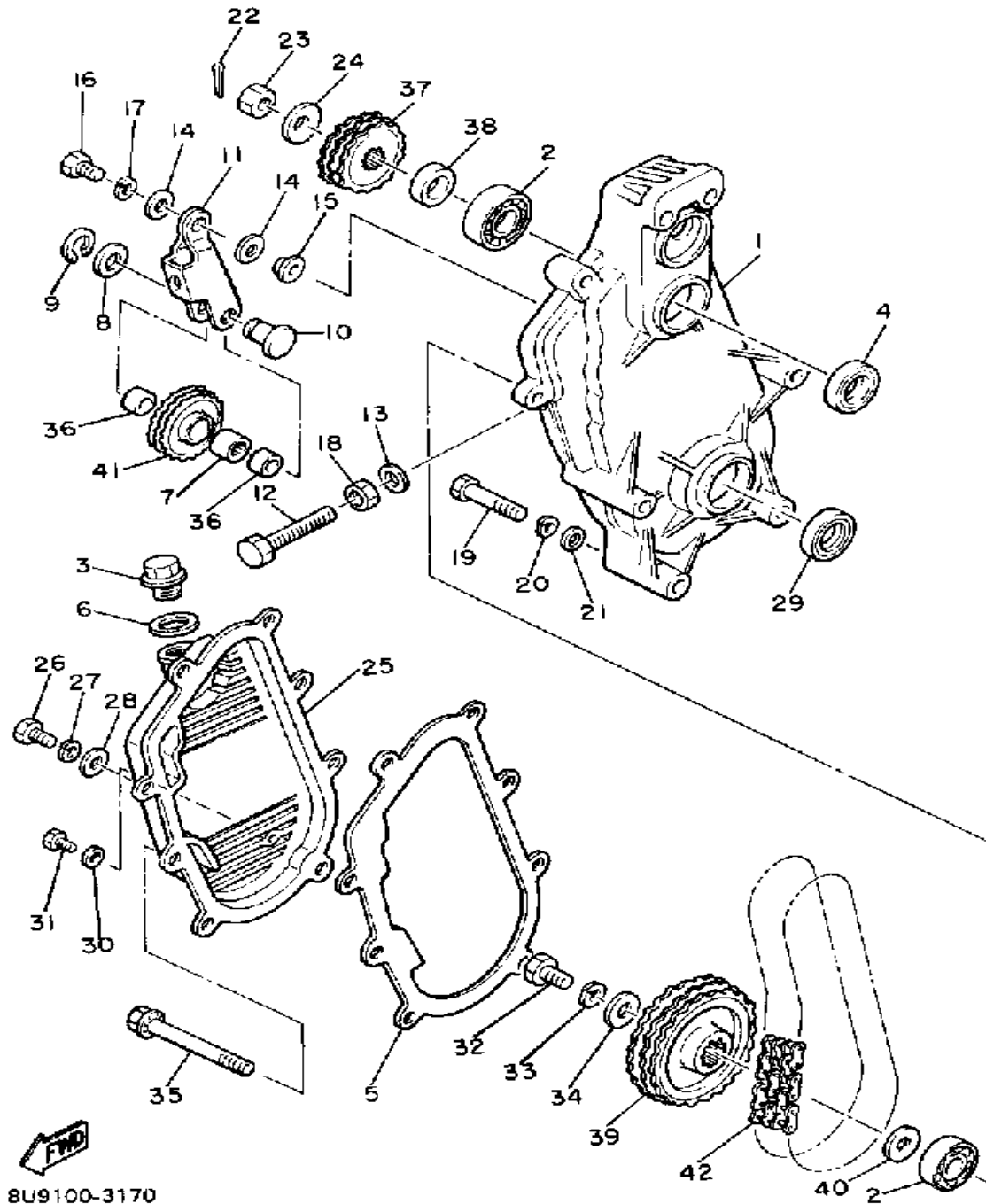
8U9100-3170

Ref. No.	Part Number	Description	Qty	Remarks
1	99999-02203-00	HOUSING, CHAIN (8L9-47541-00-00)	1	
2	93306-20570-00	BEARING	2	
3	90340-22047-00	PLUG, STRAIGHT SCREW	1	
4	93102-27204-00	OIL SEAL	1	
5	86M-47592-00-00	GASKET	1	
6	90430-22144-00	GASKET	1	
7	93315-21227-00	BEARING	1	
8	90201-12631-00	WASHER, PLATE	1	
9	99009-12400-00	CIRCLIP	1	
10	90249-12216-00	PIN	1	
11	8U9-47613-02-00	HOLDER	1	
12	90101-10357-00	BOLT	1	
13	90210-10004-00	WASHER, SEAL	1	
14	92990-08200-00	WASHER, PLAIN	2	
15	90387-08301-00	COLLAR	1	
16	97013-08025-00	BOLT	1	
17	92990-08100-00	WASHER	1	
18	95303-10700-00	NUT	1	
19	97021-08065-00	BOLT	2	
20	92990-08100-00	WASHER	2	
21	92990-08600-00	WASHER, PLATE	2	
22	91401-30030-00	PIN, COTTER	1	
23	90170-20211-00	NUT	1	
24	90208-20008-00	WASHER, CONICAL SPRING	1	
25	8L9-47543-00-00	CAP, HOUSING	1	
26	97021-06030-00	BOLT	6	
27	92995-06100-00	WASHER, SPRING	6	
28	90201-061A5-00	WASHER, PLATE	6	

CONTINUED ON NEXT FRAME ►

Property of www.SmallEngineDiscount.com - Not for Resale

TRACK DRIVE 2



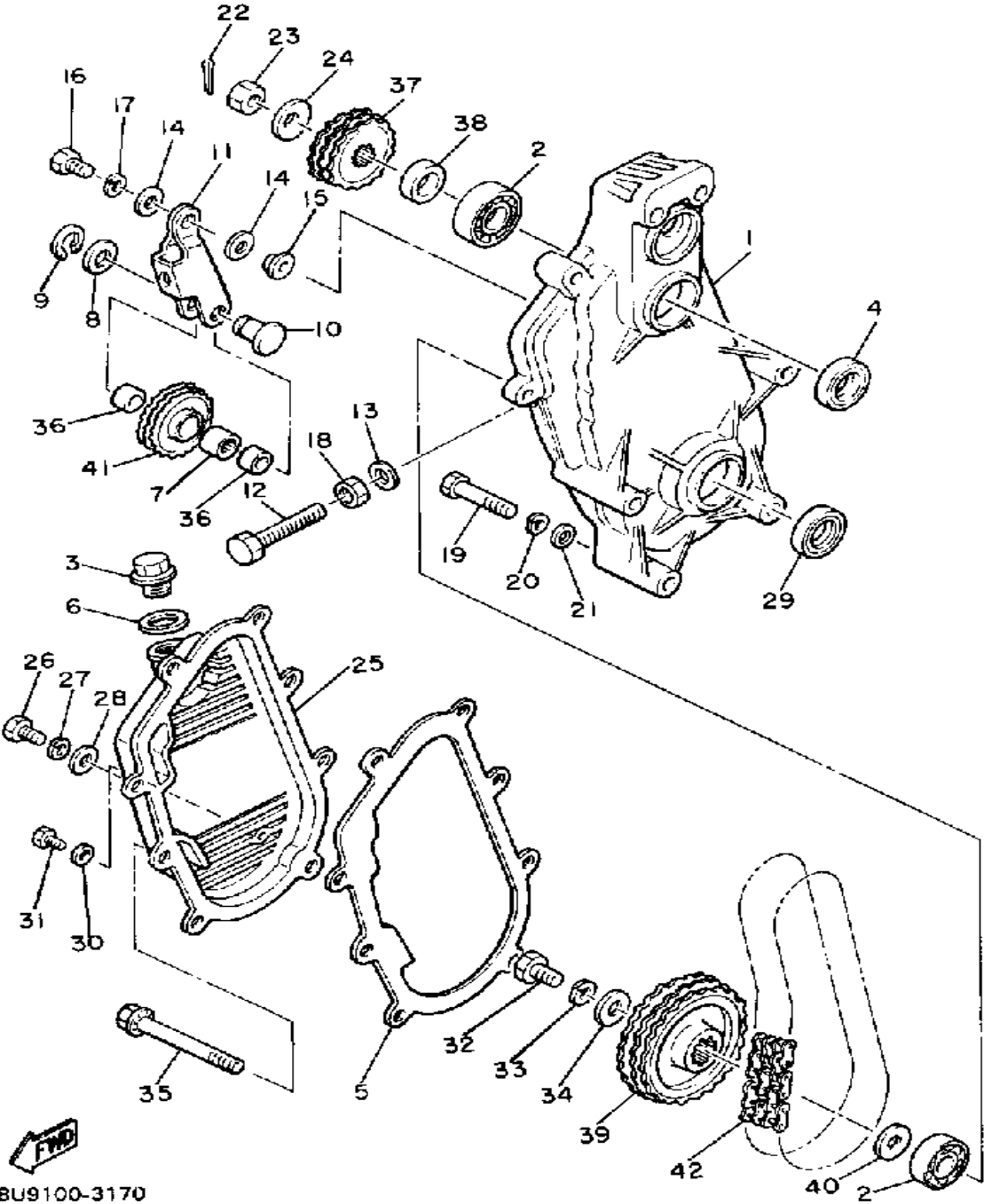
8U9100-3170

Ref. No.	Part Number	Description	Qty	Remarks
29	93102-25081-00	OIL SEAL	1	
30	90210-06006-00	WASHER, SEAL	1	
31	97011-06010-00	BOLT	1	
32	97011-10025-00	BOLT	1	
33	92990-10100-00	WASHER, SPRING	1	
34	90201-10322-00	WASHER, PLATE	1	
35	95811-08090-00	BOLT, FLANGE (95822-08090) .	2	
36	90387-122H7-00	COLLAR	2	
37	829-17682-00-00	SPRKT, CHAIN DR 20T (20T) ..	1	ALT. PART
	829-17682-50-00	SPRKT, CHAIN DR 15T (878-17682-50) (15T)	1	ALT. PART
	829-17682-60-00	SPRKT, CHAIN DR 16T (16T) ..	1	ALT. PART
	829-17682-70-00	SPRKT, CHAIN DR 17T (17T) ..	1	ALT. PART
	829-17682-80-00	SPRKT, CHAIN DR 18T (18T) ..	1	U.R. STD
	829-17682-90-00	SPRKT, CHAIN DR 19T (878-17682-90) (19T)	1	ALT. PART
	8U9-17693-10-00	SPROCKET, CHAIN DR (878-17693-10) (21T)	1	ALT. PART
	8U9-17693-20-00	SPROCKET, CHAIN DR (878-17693-20) (22T)	1	ALT. PART
38	90387-25798-00	COLLAR	1	
39	8U9-47548-90-00	SPROCKET, CHN DRVNDIVEN (29T)	1	ALT. PART
	8U9-47587-00-00	SPROCKET, CHN DRVN (31T) .	1	ALT. PART
	8U9-47587-10-00	SPROCKET, CHN DRVN (888-47587-00) (33T)	1	U.R. STD
	8U9-47587-30-00	SPROCKET, CHN DRVN (878-47587-20) (35T)	1	ALTERNATE PART
40	90201-25526-00	WASHER, PLATE (T2.0)	1	
41	8U9-47612-00-00	WHEEL	1	
42	94890-05064-00	CHAIN	1	ALT. PART

CONTINUED ON NEXT FRAME ►

Property of www.SmallEngineDiscount.com - Not for Resale

TRACK DRIVE 2



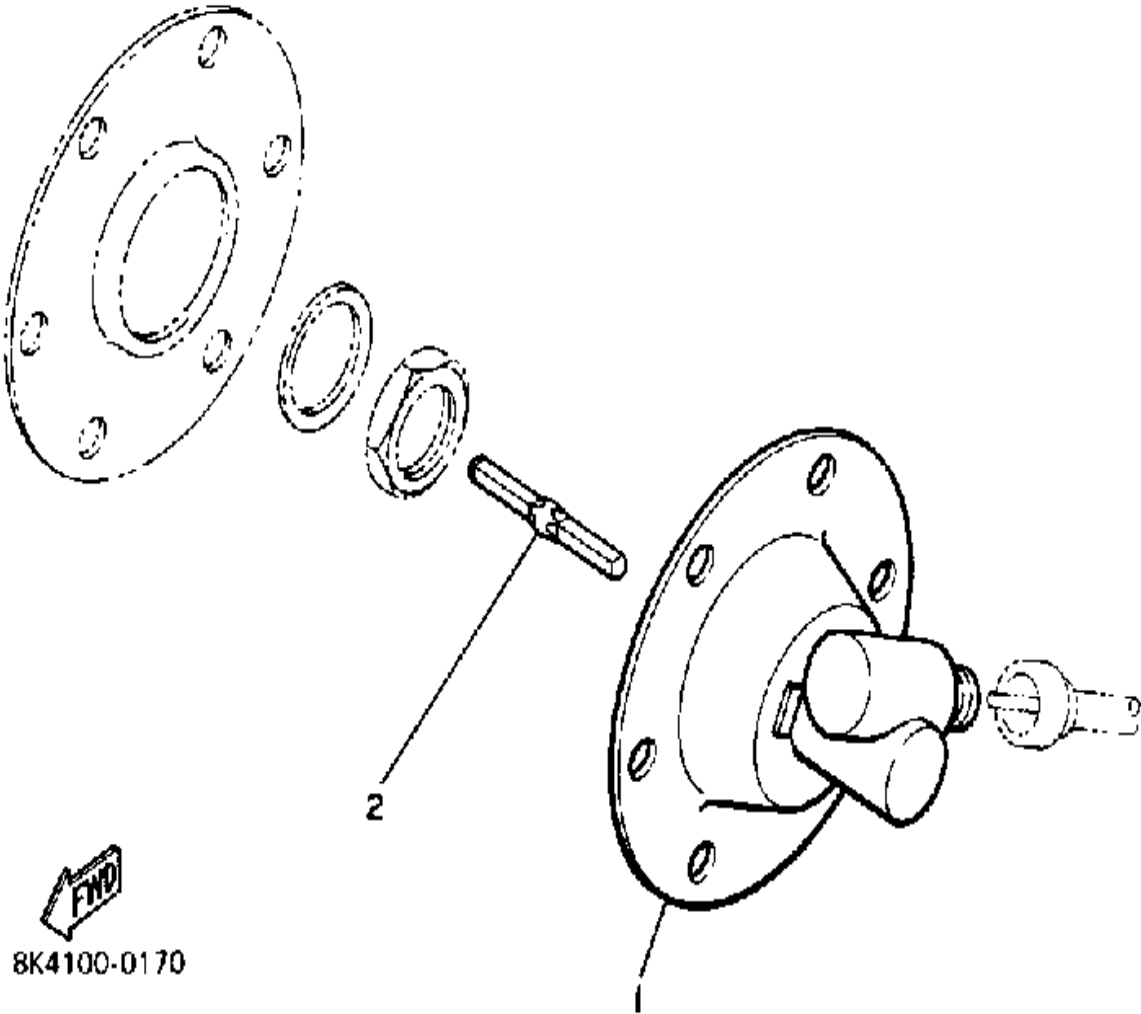
8U9100-3170

Ref. No.	Part Number	Description	Qty	Remarks
42	94890-05066-00	CHAIN	1	ALT. PART
	94890-05068-00	CHAIN	1	U.R. STD
	94890-05070-00	CHAIN	1	ALT. PART

Property of www.SmallEngineDiscount.com - Not for Resale

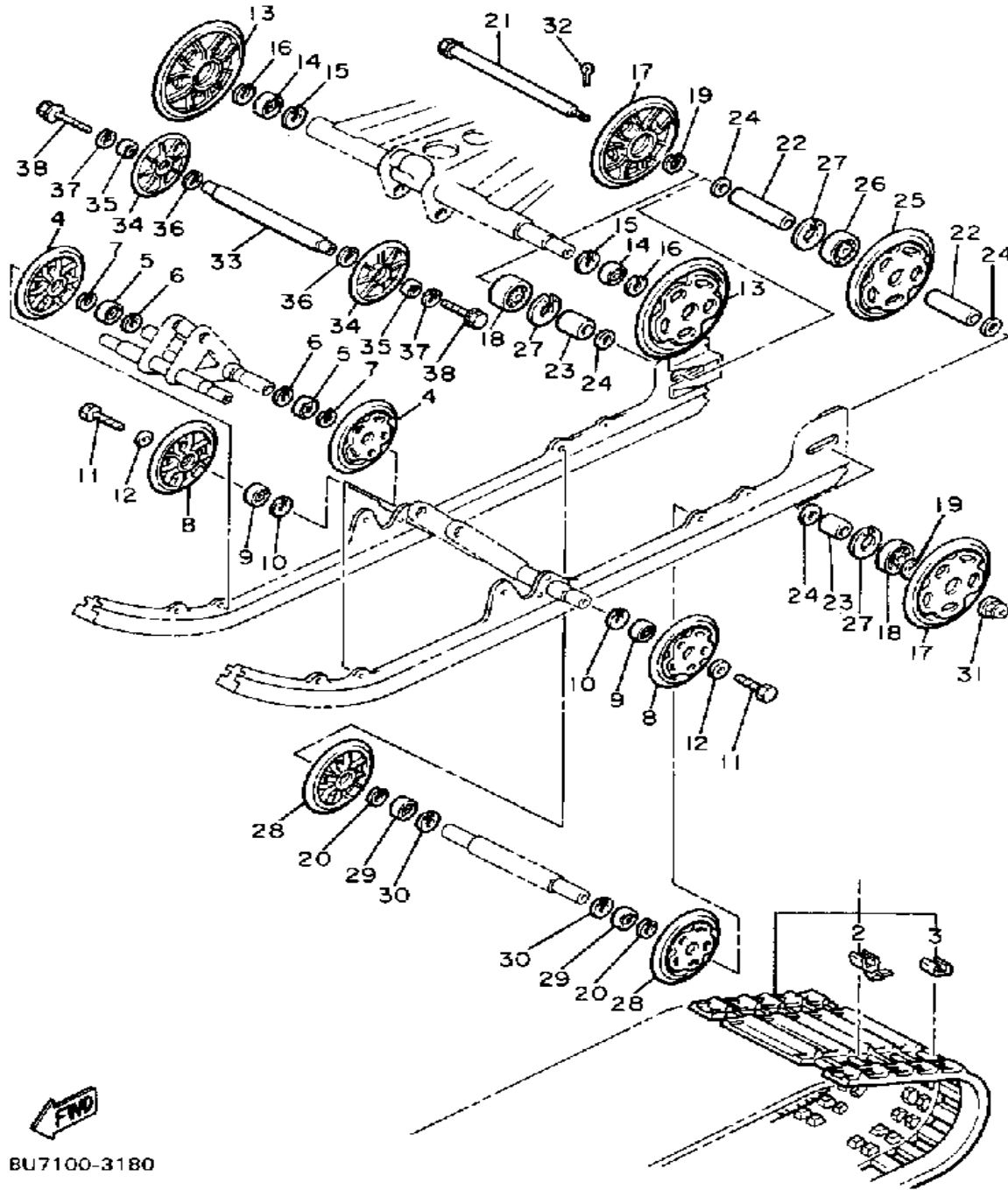
SPEEDOMETER-GEAR UNIT

Ref. No.	Part Number	Description	Qty	Remarks
1	8L9-47700-00-00	METER GEAR HOUSING COMP	1	
2	8K4-47715-00-00	JOINT	1	



Property of www.SmallEngineDiscount.com - Not for Resale

TRACK SUSPENSION 1



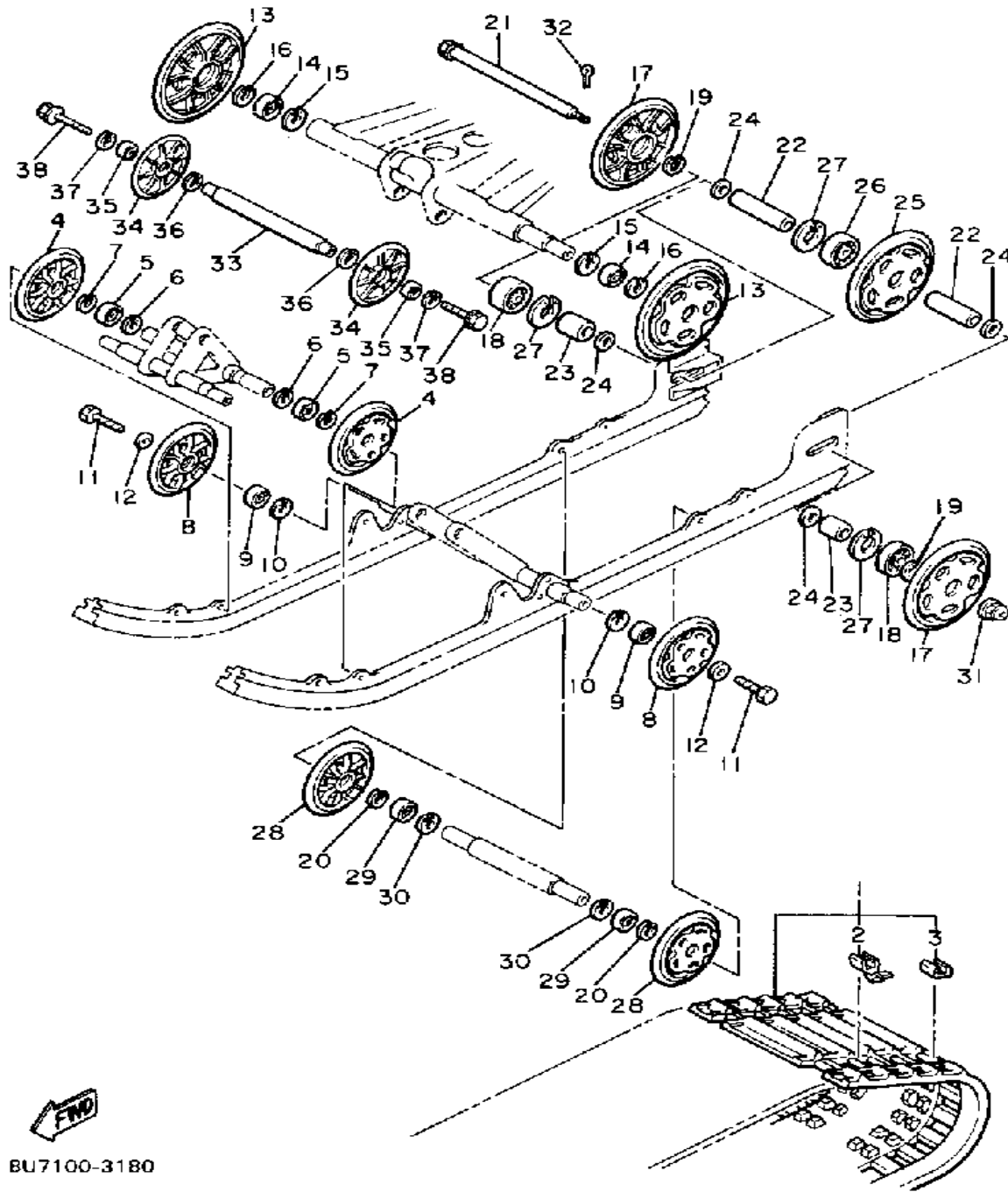
BU7100-3180

Ref. No.	Part Number	Description	Qty	Remarks
1	87F-47110-01-00	TRACK ASSEMBLY	1	
2	8A5-47113-00-00	. PLATE, REINFORCEMENT ..	48	
3	8G9-47115-00-00	. METAL, SLIDE	48	
4	87M-47320-00-00	SUSPENSION WHEEL COMP. .	2	
5	93306-00441-00	BEARING (89A) (B6004RS) ...	2	
6	99009-42500-00	CIRCLIP	2	
7	99009-20400-00	CIRCLIP	2	
8	87U-47320-00-00	SUSPENSION WHEEL COMP. .	2	
9	93306-00441-00	BEARING (89A) (B6004RS) ...	2	
10	99009-42500-00	CIRCLIP	2	
11	90109-08559-00	BOLT	2	
12	90201-08681-00	WASHER, PLATE	2	
13	8U7-47320-00-00	SUSPENSION WHEEL COMP. .	2	
14	93306-00441-00	BEARING (89A) (B6004RS) ...	2	
15	99009-42500-00	CIRCLIP	2	
16	99009-20400-00	CIRCLIP	2	
17	87M-47320-00-00	SUSPENSION WHEEL COMP. .	2	
18	93306-00441-00	BEARING (89A) (B6004RS) ...	2	
19	99009-42500-00	CIRCLIP	2	
20	99009-20400-00	CIRCLIP	2	
21	8L8-47520-01-00	REAR AXLE COMP. (8L8-47520-02-00)	1	
22	90387-202H9-00	COLLAR	2	
23	90387-203H0-00	COLLAR	2	
24	90201-20279-00	WASHER, PLATE	4	
25	8K2-47530-00-00	GUIDE WHEEL COMP.	1	
26	93306-20417-00	BEARING (B62042RS)	1	
27	99009-47500-00	CIRCLIP	1	
28	8M6-47530-00-00	GUIDE WHEEL COMP.	2	

CONTINUED ON NEXT FRAME ►

Property of www.SmallEngineDiscount.com - Not for Resale

TRACK SUSPENSION 1

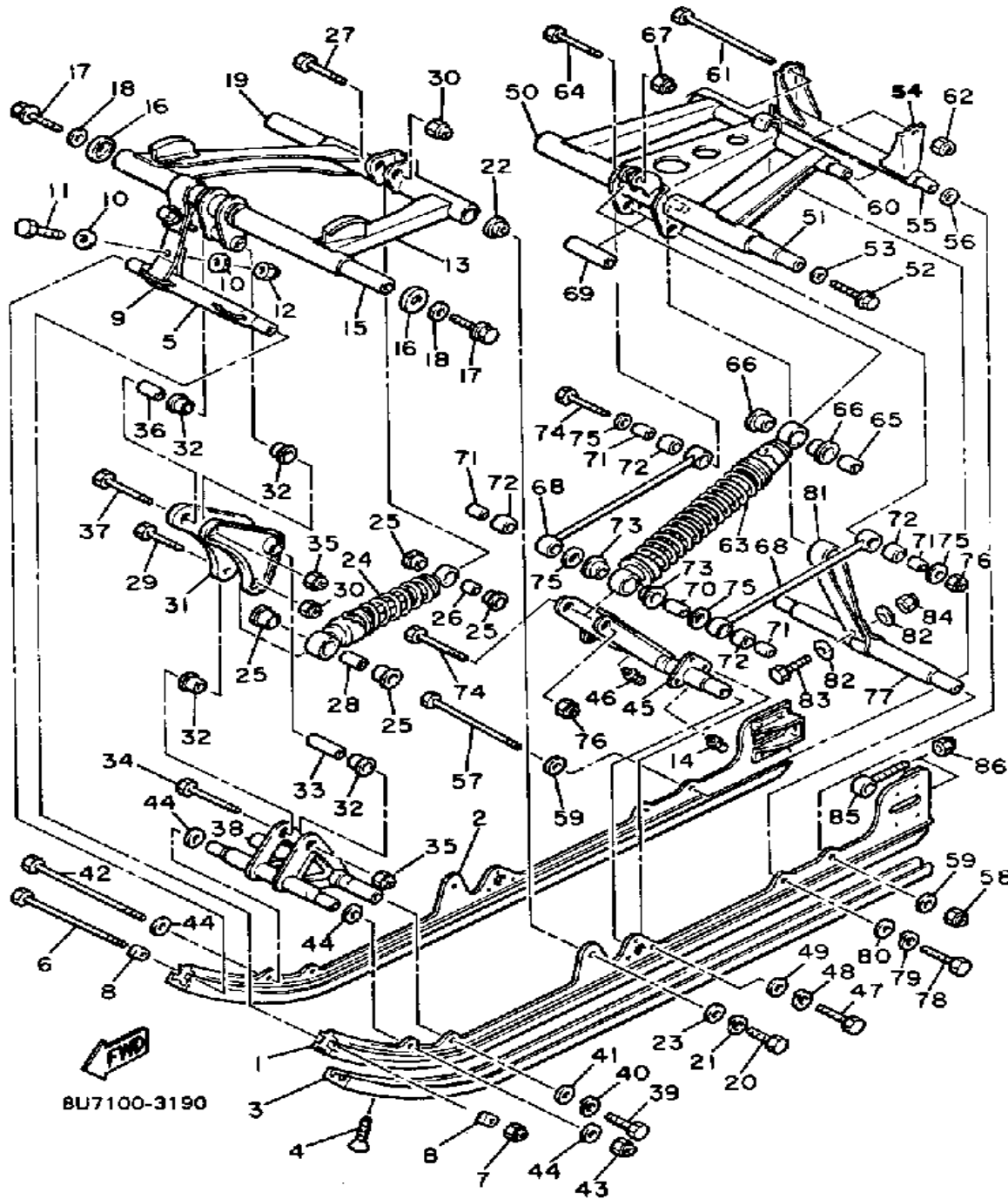


BU7100-3180

Ref. No.	Part Number	Description	Qty	Remarks
29	93306-20417-00	BEARING (B62042RS)	2	
30	99009-47500-00	CIRCLIP	2	
31	95601-14200-00	NUT, U	1	
32	91401-30020-00	PIN, COTTER	1	
33	8L1-47461-00-00	IDLER	1	
34	8H8-47320-00-00	SUSPENSION WHEEL COMP.	2	
35	93306-00441-00	BEARING (89A) (B6004RS)	2	
36	99009-42500-00	CIRCLIP	2	
37	99009-20400-00	CIRCLIP	2	
38	95816-08018-00	BOLT, FLANGE	2	

Property of www.SmallEngineDiscount.com - Not for Resale

TRACK SUUSPENSION 2

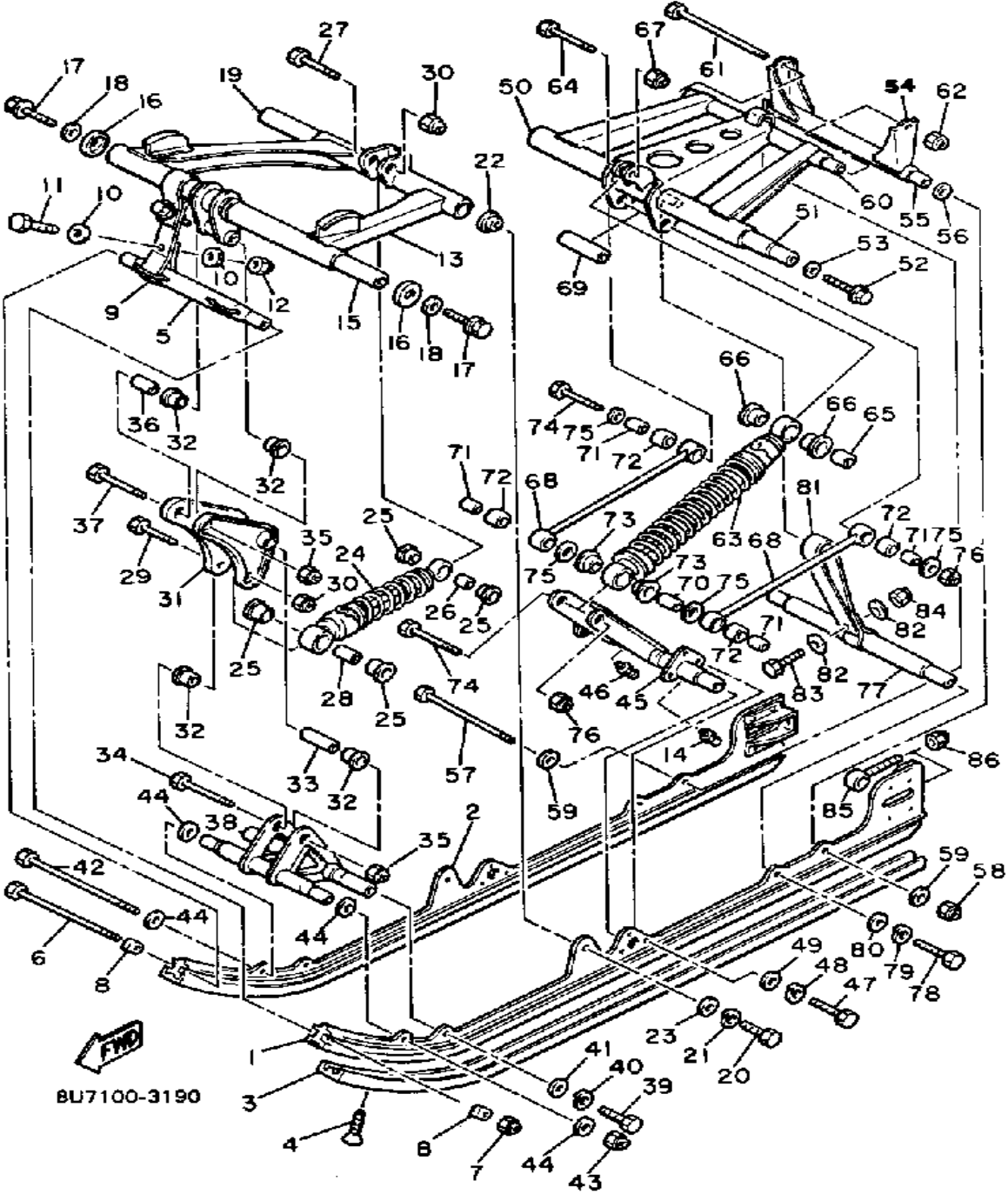


Ref. No.	Part Number	Description	Qty	Remarks
1	88R-47411-02-00	FRAME, SLIDING 1	1	
2	88R-47412-02-00	FRAME, SLIDING 2	1	
3	8R9-47421-00-00	RUNNER, SLIDING 1	2	
4	90151-06010-00	SCREW, COUNTERSUNK	2	
5	8U7-47415-00-00	BRACKET 1	1	
6	97022-08250-00	BOLT	1	
7	95712-08300-00	NUT, LOCK	1	
8	8U7-47359-00-00	WASHER	2	
9	8U7-47495-00-00	STOPPER 1	2	
10	90201-06407-00	WASHER, PLATE (90201-06747-00)	8	
11	97011-06025-00	BOLT (97001-06025)	4	
12	95701-06300-00	NUT, NYLON	4	
13	8U7-47331-00-00	ARM, PIVOT 1	1	
14	93700-06M03-00	NIPPLE, GREASE	1	
15	885-47465-02-00	SHAFT 1	1	
16	8U7-47341-00-00	SPACER	2	
17	95816-10035-00	BOLT, FLANGE	2	
18	90201-10669-00	WASHER, PLATE	2	
19	82M-47485-01-00	SHAFT 3	1	
20	97013-10030-00	BOLT (8J7) (97303-10030)	2	
21	92990-10100-00	WASHER, SPRING	2	
22	90387-105G6-00	COLLAR	2	
23	92990-10200-00	WASHER, PLAIN	2	
24	8V9-47481-00-00	SHOCK ABSORBER 2	1	
25	90387-123G4-00	COLLAR	4	
26	90387-08775-00	COLLAR	1	
27	90101-08557-00	BOLT	1	
28	90387-086G1-00	COLLAR	1	

CONTINUED ON NEXT FRAME ►

Property of www.SmallEngineDiscount.com - Not for Resale

TRACK SUUSPENSION 2

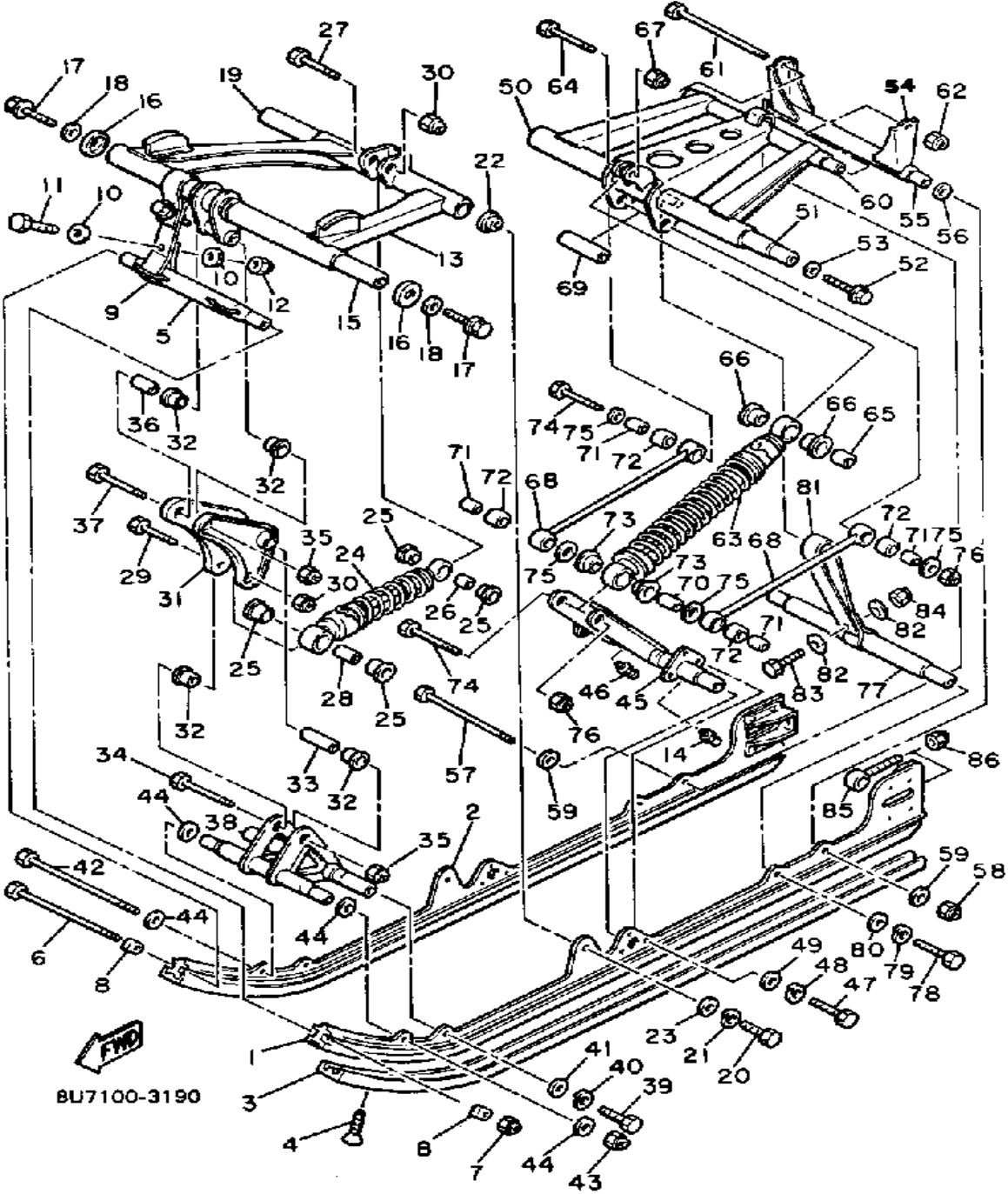


Ref. No.	Part Number	Description	Qty	Remarks
29	97021-08065-00	BOLT	1	
30	95712-08300-00	NUT, LOCK	2	
31	8U7-47464-00-00	BRACKET 6	1	
32	90387-123G5-00	COLLAR	4	
33	90387-086G1-00	COLLAR	1	
34	97021-08065-00	BOLT	1	
35	95712-08300-00	NUT, LOCK	2	
36	90387-084G0-00	COLLAR	1	
37	97022-08100-00	BOLT	1	
38	8U7-47418-00-00	BRACKET 4	1	
39	97013-08025-00	BOLT	2	
40	92990-08100-00	WASHER	2	
41	92901-08600-00	WASHER	2	
42	97022-08250-00	BOLT	1	
43	95712-08300-00	NUT, LOCK	1	
44	92901-08600-00	WASHER	4	
45	8AX-47416-00-00	BRACKET 2	1	
46	93700-06M03-00	NIPPLE, GREASE	1	
47	97011-06020-00	BOLT	6	
48	92995-06100-00	WASHER, SPRING	6	
49	90201-061A5-00	WASHER, PLATE	6	
50	99999-02178-00	ARM, PIVOT 2 (8U7-47332-00-00)	1	
51	8U7-47475-01-00	SHAFT 2	1	
52	95816-10035-00	BOLT, FLANGE	2	
53	90201-10669-00	WASHER, PLATE	2	
54	8U7-47417-00-00	BRACKET 3	1	
55	90387-08632-00	COLLAR	1	
56	90201-08649-00	WASHER, PLATE	2	

CONTINUED ON NEXT FRAME ►

Property of www.SmallEngineDiscount.com - Not for Resale

TRACK SUUSPENSION 2

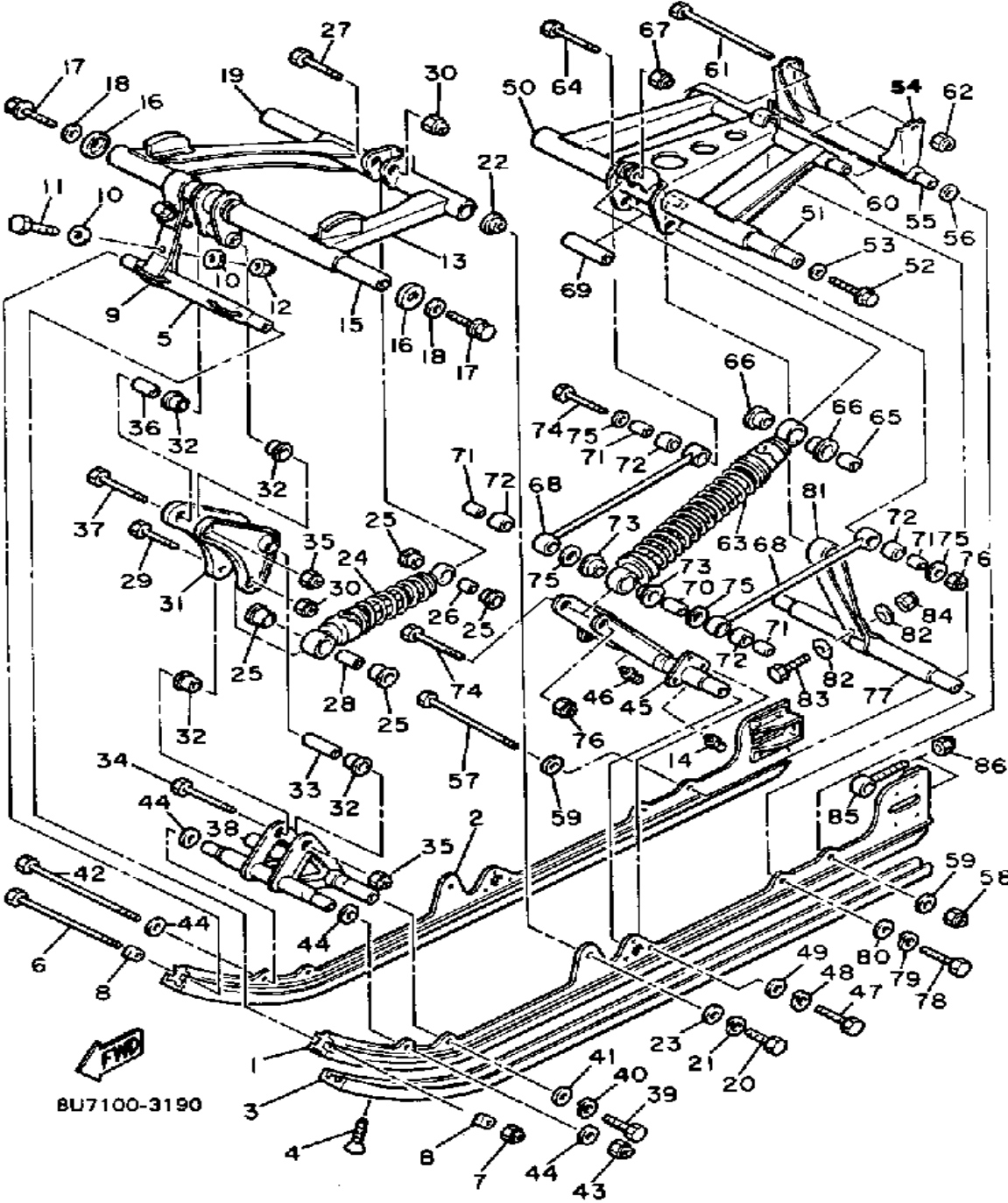


Ref. No.	Part Number	Description	Qty	Remarks
57	97022-08250-00	BOLT	1	
58	95712-08300-00	NUT, LOCK	1	
59	92901-08600-00	WASHER	2	
60	90387-083G6-00	COLLAR	1	
61	97022-08220-00	BOLT	1	
62	95712-08300-00	NUT, LOCK	1	
63	8Y0-47480-00-00	SHOCK ABSORBER	1	
64	90101-10561-00	BOLT	1	
65	90387-105G5-00	COLLAR	1	
66	90387-145G7-00	COLLAR	2	
67	95701-10300-00	NUT, FLANGE (95702-10300)	1	
68	8U7-47494-02-00	ROD, RELAY	2	
69	90387-103G9-00	COLLAR	1	
70	90387-104G1-00	COLLAR	1	
71	90387-100X3-00	COLLAR	4	
72	90387-143G7-00	COLLAR	4	
73	90387-144G2-00	COLLAR	2	
74	90101-10560-00	BOLT	2	
75	90201-102A2-00	WASHER, PLATE	4	
76	95701-10300-00	NUT, FLANGE (95702-10300)	2	
77	8U7-47486-00-00	SHAFT 4	1	
78	97013-08025-00	BOLT	2	
79	92990-08100-00	WASHER	2	
80	92901-08600-00	WASHER	2	
81	8U7-47496-00-00	STOPPER 2	1	
82	90201-06407-00	WASHER, PLATE (90201-06747-00)	2	
83	97013-06035-00	BOLT	1	
84	95701-06300-00	NUT, NYLON	1	

CONTINUED ON NEXT FRAME ➤

Property of www.SmallEngineDiscount.com - Not for Resale

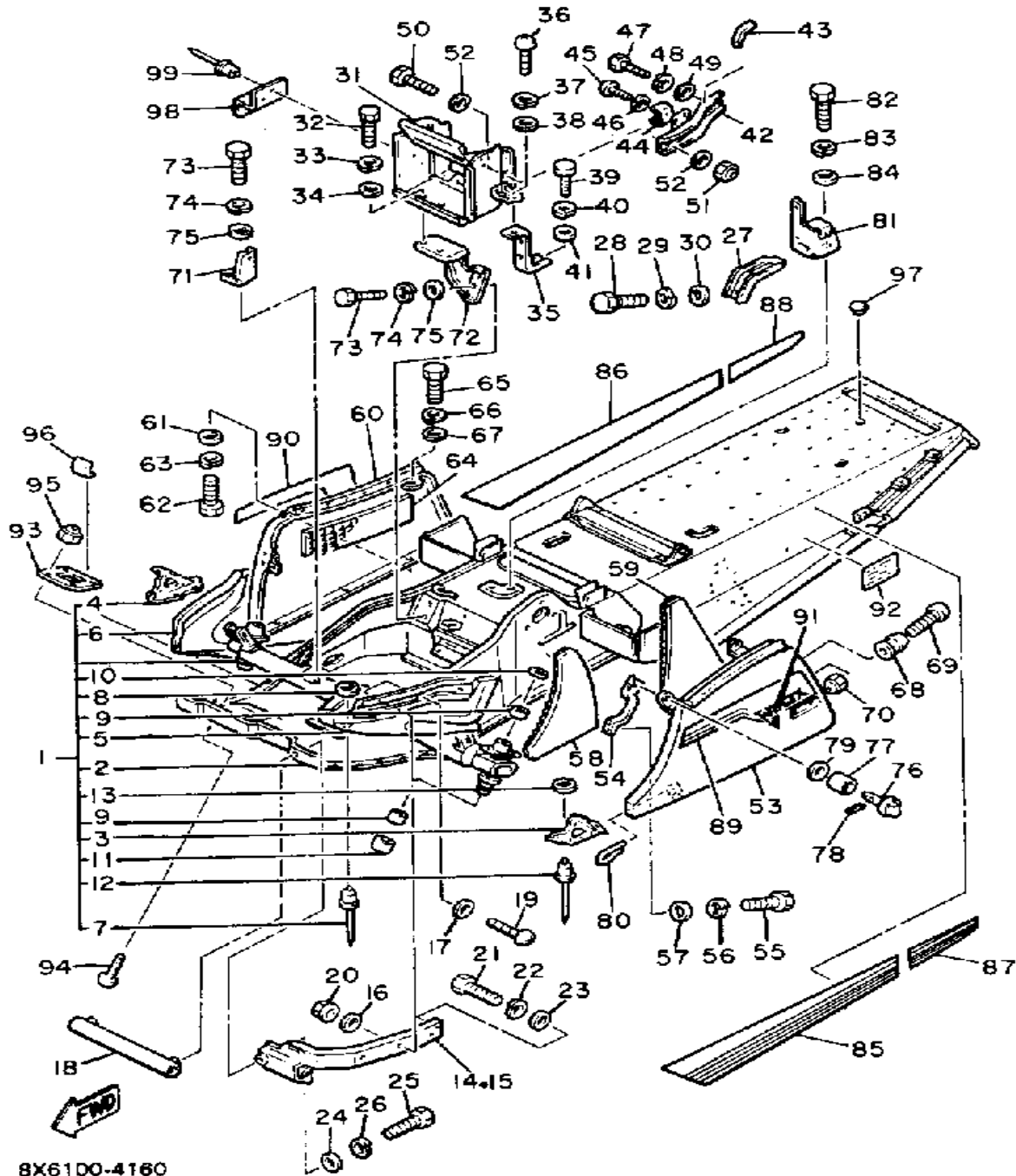
TRACK SUUSPENSION 2



Ref. No.	Part Number	Description	Qty	Remarks
85	8K2-47479-01-00	COLLAR 3	2	
86	95701-10300-00	NUT, FLANGE (95702-10300) ..	2	

Property of www.SmallEngineDiscount.com - Not for Resale

FRAME

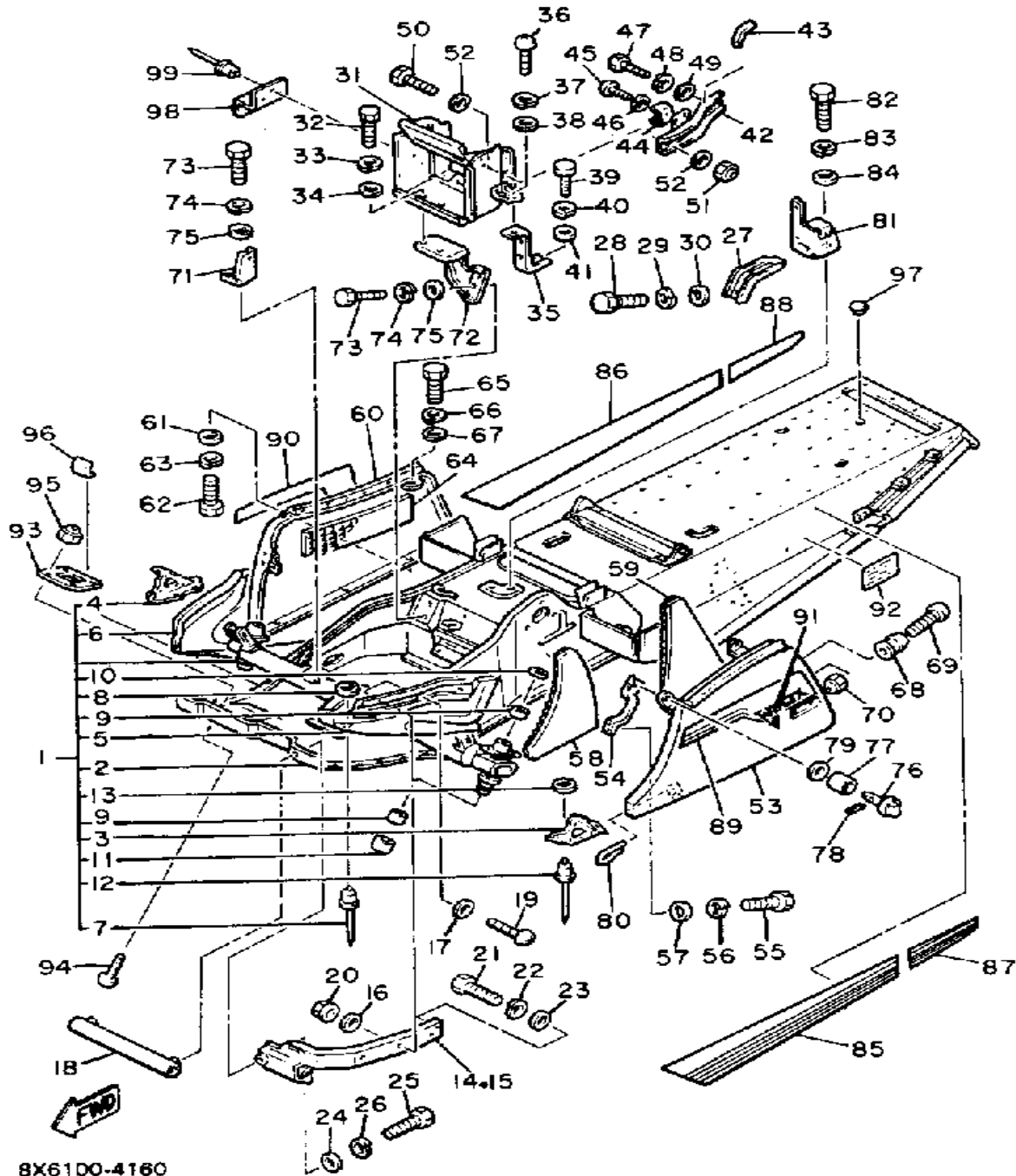


Ref. No.	Part Number	Description	Qty	Remarks
1	8X6-21910-00-00	FRAME	1	
2	8M6-21912-00-00	. PANEL, SUB FRAME 1	1	
3	8M6-21995-00-00	. GUARD, SUB FRAMEFRAME FR 1	1	
4	8M6-21996-00-00	. GUARD, SUB FRAMEFRAME FR 2	1	
5	8M6-21982-00-00	. HOOD 1	1	
6	8M6-21983-00-00	. HOOD 2	1	
7	90267-48051-00	. RIVET, BLIND	20	
8	90201-05721-00	. WASHER, PLATE	16	
9	90384-36134-00	. BUSH, BIMETAL FORMED ...	4	
10	93102-36232-00	. OIL SEAL	2	
11	93103-36117-00	OIL SEAL	2	
12	90267-48086-00	RIVET, BLIND	4	
13	90201-04325-00	. WASHER, PLATE	4	
14	8M6-2194Y-00-00	BRACKET, FRT BMPR 3	1	
15	8M6-2195Y-00-00	BRACKET, FRT BMPR 4	1	
16	90201-061A5-00	WASHER, PLATE	4	
17	92990-08200-00	WASHER, PLAIN	4	
18	8M6-2191Y-00-00	BRACKET, FRT BMPR 7	1	
19	98980-06030-00	SCREW, BIND	4	
20	95701-06500-00	NUT, FLANGE	4	
21	97021-06030-00	BOLT	4	
22	92995-06100-00	WASHER, SPRING	4	
23	92990-06600-00	WASHER, PLATE	4	
24	92990-08200-00	WASHER, PLAIN	2	
25	97001-08025-00	BOLT (1NV)	2	
26	92902-08100-00	WASHER, SPRING	2	
27	8M6-12491-00-00	CLAMP 1	1	

CONTINUED ON NEXT FRAME ►

Property of www.SmallEngineDiscount.com - Not for Resale

FRAME



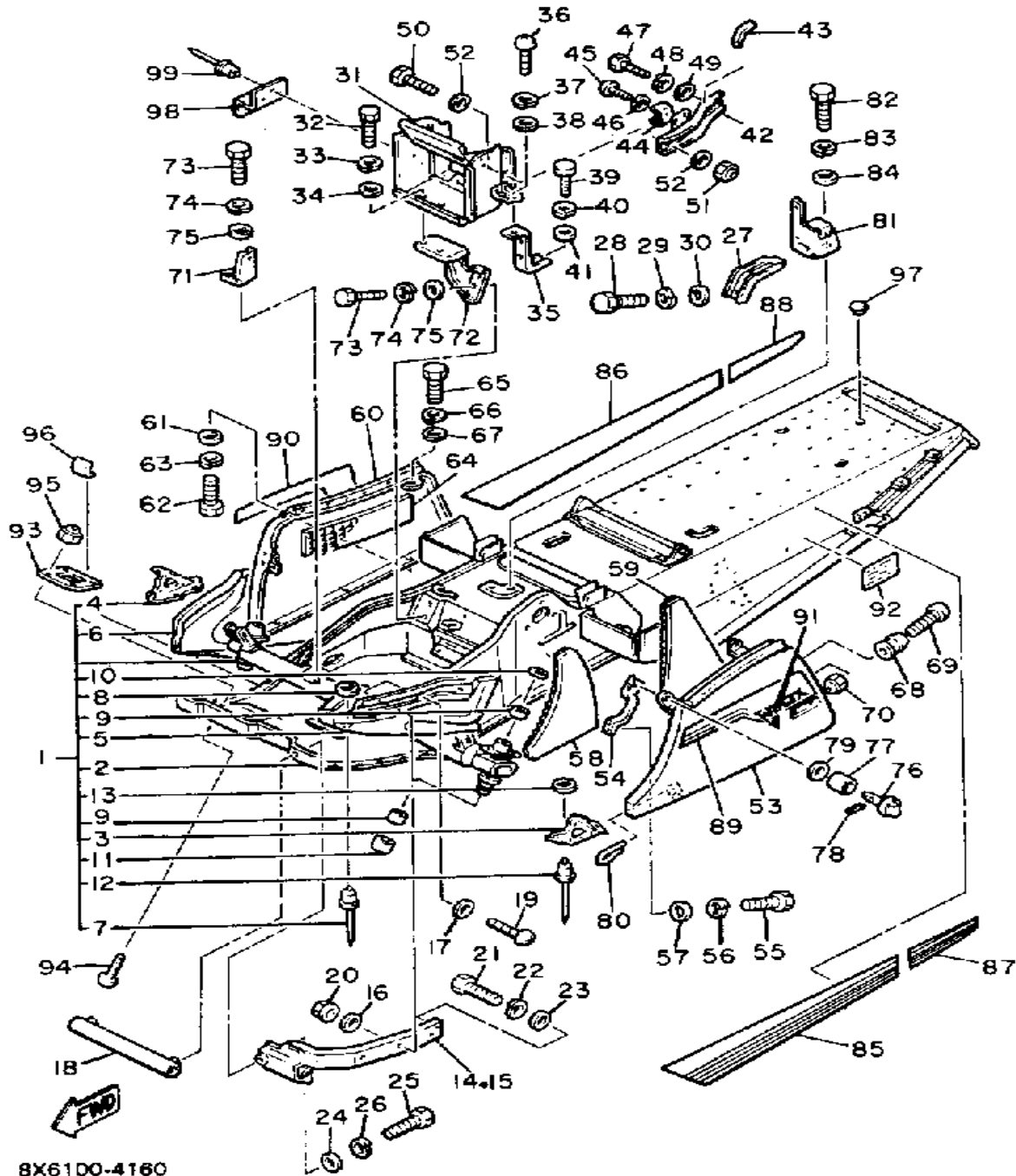
8X6100-4160

Ref. No.	Part Number	Description	Qty	Remarks
28	97013-06012-00	BOLT	1	
29	92995-06100-00	WASHER, SPRING	1	
30	92990-06600-00	WASHER, PLATE	1	
31	8M6-12661-00-00	DUCT	1	
32	97026-06012-00	BOLT	2	
33	92906-06100-00	WASHER, SPRING	2	
34	92906-06200-00	WASHER	2	
35	8U9-12637-00-00	STAY 1	1	
36	98580-06012-00	SCREW, PAN HEAD	1	
37	92995-06100-00	WASHER, SPRING	1	
38	90201-061A5-00	WASHER, PLATE	1	
39	97013-06012-00	BOLT	1	
40	92995-06100-00	WASHER, SPRING	1	
41	92990-06600-00	WASHER, PLATE	1	
42	8M6-12464-01-00	NO LONGER AVAILABLE	1	
43	8M6-77319-00-00	DAMPER 1	1	
44	(8U9-12498-00-00)	PROTECTOR	1	
45	98580-06010-00	SCREW, PAN HEAD (92503-06010)	1	
46	92995-06100-00	WASHER, SPRING	1	
47	97013-06012-00	BOLT	2	
48	92995-06100-00	WASHER, SPRING	2	
49	92990-06200-00	WASHER	2	
50	97313-06016-00	BOLT, HEXAGON	1	
51	95701-06300-00	NUT, NYLON	1	
52	92990-06200-00	WASHER	2	
53	8X6-2197A-00-00	HOOD ASSEMBLY 3	1	
54	8M6-2194T-00-00	PROTC, AJST SCRW 1	1	
55	97013-06012-00	BOLT	2	

CONTINUED ON NEXT FRAME ►

Property of www.SmallEngineDiscount.com - Not for Resale

FRAME



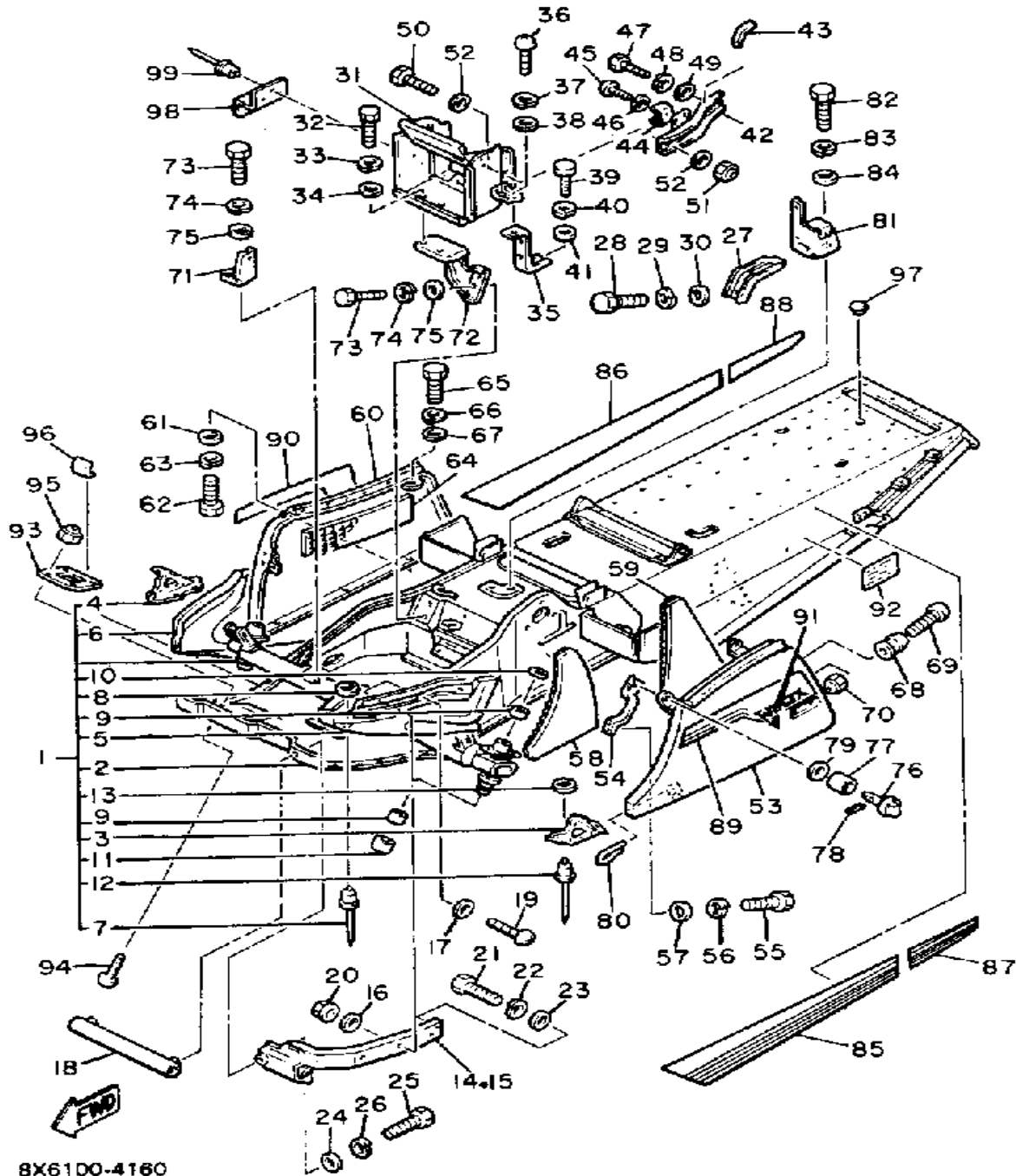
8X6100-4160

Ref. No.	Part Number	Description	Qty	Remarks
56	92995-06100-00	WASHER, SPRING	2	
57	92990-06600-00	WASHER, PLATE	2	
58	8M6-77271-00-00	DAMPER, NOISE 1	1	
59	8M6-77272-00-00	DAMPER, NOISE 2	1	
60	8X6-2198A-00-00	HOOD ASSEMBLY 4	1	
61	90201-062A8-00	WASHER, PLATE	3	
62	97016-06016-00	BOLT	3	
63	92906-06100-00	WASHER, SPRING	3	
64	8M6-77273-00-00	DAMPER, NOISE 3	1	
65	97013-06012-00	BOLT	2	
66	92995-06100-00	WASHER, SPRING	2	
67	90201-06M08-00	WASHER, PLATE	2	
68	8M6-77175-00-00	HOLDER, LATCH	2	
69	98906-06030-00	SCREW, BIND	2	
70	95701-06500-00	NUT, FLANGE	2	
71	8M6-2172K-01-00	BRACKET 1	1	
72	(8M6-2172L-00-00)	BRACKET 2	1	
73	97013-06012-00	BOLT	4	
74	92995-06100-00	WASHER, SPRING	4	
75	92990-06600-00	WASHER, PLATE	4	
76	8A5-77324-00-00	KNOB	2	
77	90385-08038-00	BUSH, SPEC'L RUBBER	2	
78	91609-40022-00	PIN, SPRING	2	
79	90201-08104-00	WASHER, PLATE	2	
80	8A7-77157-00-00	PIN, HINGE	2	
81	8M6-2194R-00-00	BRACKET, FUEL TNK 2	1	
82	97013-06012-00	BOLT	2	
83	92995-06100-00	WASHER, SPRING	2	
84	90201-061A5-00	WASHER, PLATE	2	

CONTINUED ON NEXT FRAME ➤

Property of www.SmallEngineDiscount.com - Not for Resale

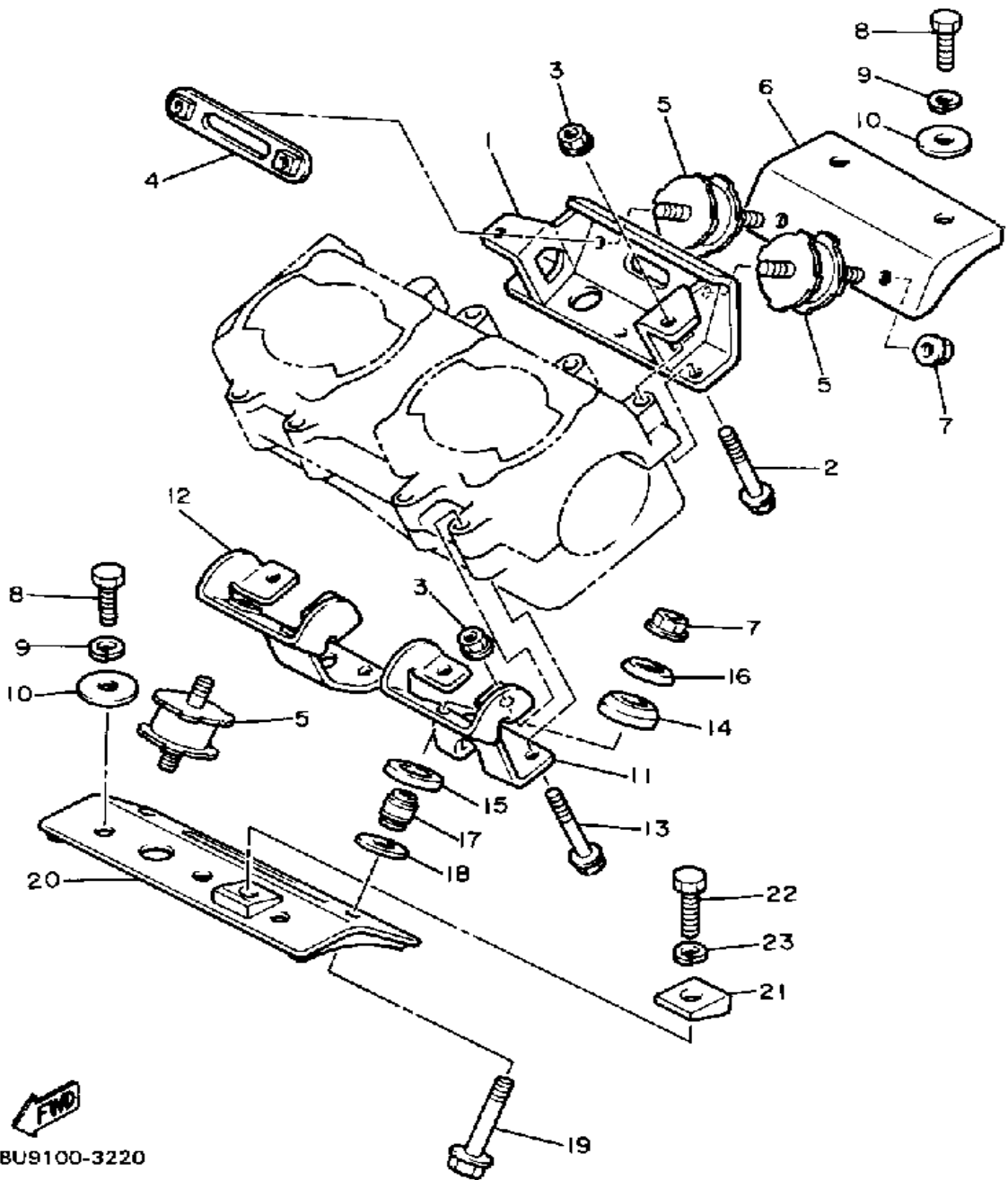
FRAME



Ref. No.	Part Number	Description	Qty	Remarks
85	8X6-77351-00-00	EMBLEM 1	1	
86	8X6-77352-00-00	EMBLEM 2	1	
87	8X6-77353-00-00	EMBLEM 3	1	
88	8X6-77354-00-00	EMBLEM 4	1	
89	8X6-77357-00-00	EMBLEM 7	1	
90	8X6-77358-00-00	EMBLEM 8	1	
91	8X6-77359-00-00	EMBLEM 9	2	
92	8K2-77742-00-00	INDICATOR 2	1	
93	8M6-21917-00-00	PANEL, SUB FRAME 6	2	
94	98906-05012-00	SCREW, BIND	8	
95	95706-05300-00	NUT, nylon	8	
96	8M6-77162-00-00	STRIP, WEATHER 2	1	
97	810-77716-00-00	ORNAMENT, INSTRUMENT PANEL 2	1	
98	8H8-77376-00-00	BRACKET, SPARK PLUG	1	
99	90267-48079-00	RIVET, BLIND	2	
100	90101-08577-00	BOLT	1	
101	90387-08508-00	COLLAR	1	
102	8U9-26399-00-00	GUIDE, CABLE	1	
103	8U9-26398-00-00	WASHER	1	
104	99080-05600-00	CIRCLIP	1	

Property of www.SmallEngineDiscount.com - Not for Resale

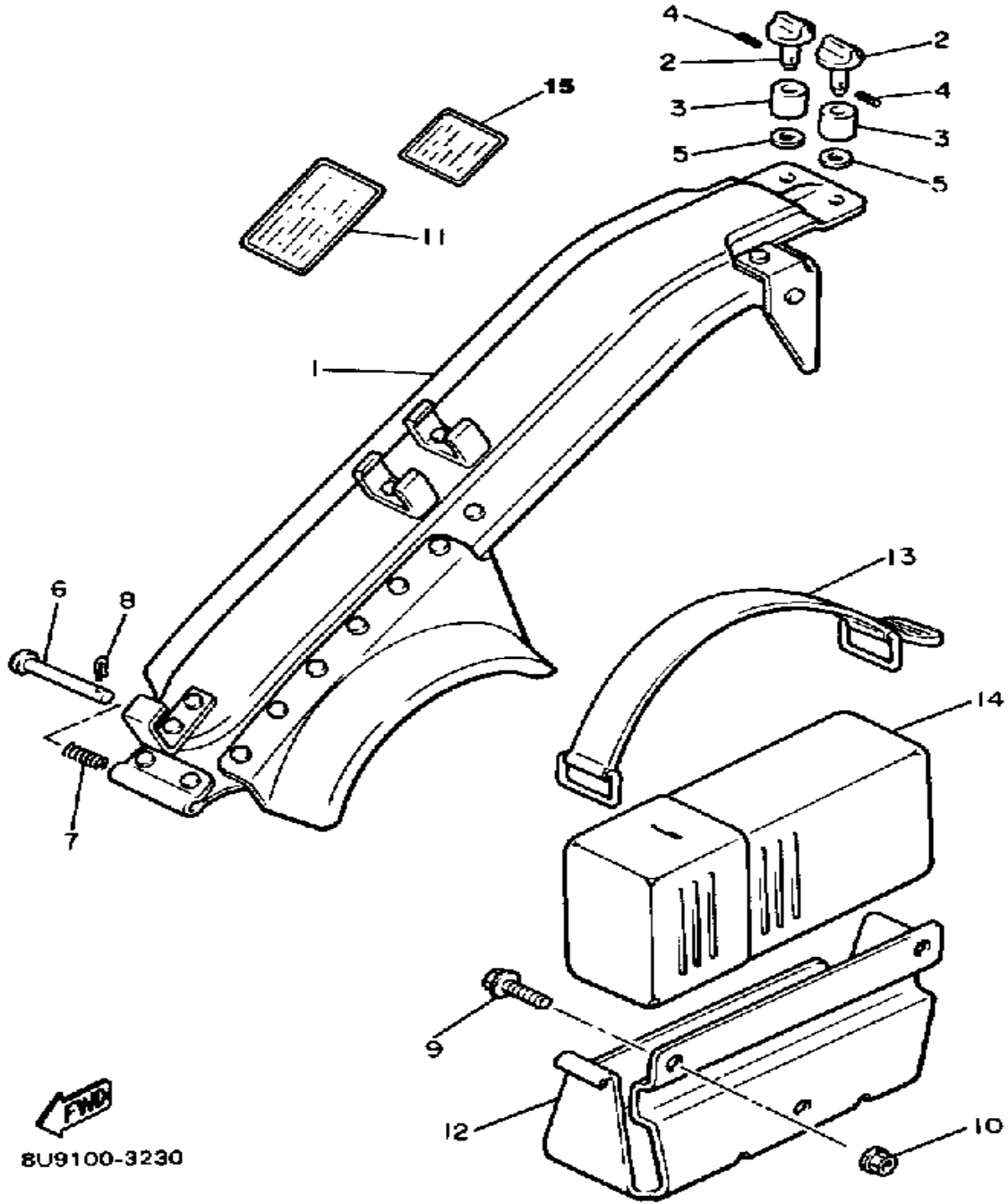
ENGINE BRACKET



Ref. No.	Part Number	Description	Qty	Remarks
1	8M6-21411-00-00	BRACKET, ENGINE 1	1	
2	95811-08070-00	BOLT, FLANGE	3	
3	95701-08500-00	NUT, FLANGE	7	
4	(8R9-21426-00-00)	BRACKET, REAR UPR 2	1	
5	8M6-21486-01-00	DAMPER 2	3	
6	8M6-21425-00-00	BRACKET, REAR UPR 1	1	
7	95701-10500-00	NUT, FLANGE (95702-10500)	4	
8	97011-10025-00	BOLT	5	
9	92990-10100-00	WASHER, SPRING	5	
10	90201-10321-00	WASHER, PLATE	5	
11	8U9-21419-00-00	BRACKET, ENGINE 2	1	
12	8M6-21429-01-00	BRACKET, ENGINE 3 (8M6-21429-00)	1	
13	95811-08080-00	BOLT, FLANGE	4	
14	8U9-21486-00-00	DAMPER 2	1	
15	8U9-21485-00-00	DAMPER, RUBBER 1	1	
16	90208-10034-00	WASHER, CONICAL SPRING	1	
17	90380-10113-00	BUSH, SOLID	1	
18	90201-10151-00	WASHER, PLATE	1	
19	95811-10055-00	BOLT, FLANGE	1	
20	8U9-21415-00-00	BRACKET, FRT UPR 1	1	
21	8U9-2149E-00-00	STOPPER	1	
22	97012-10035-00	BOLT, HEXAGON	1	
23	92990-10100-00	WASHER, SPRING	1	

Property of www.SmallEngineDiscount.com - Not for Resale

GUARD-LUGGAGE BOX

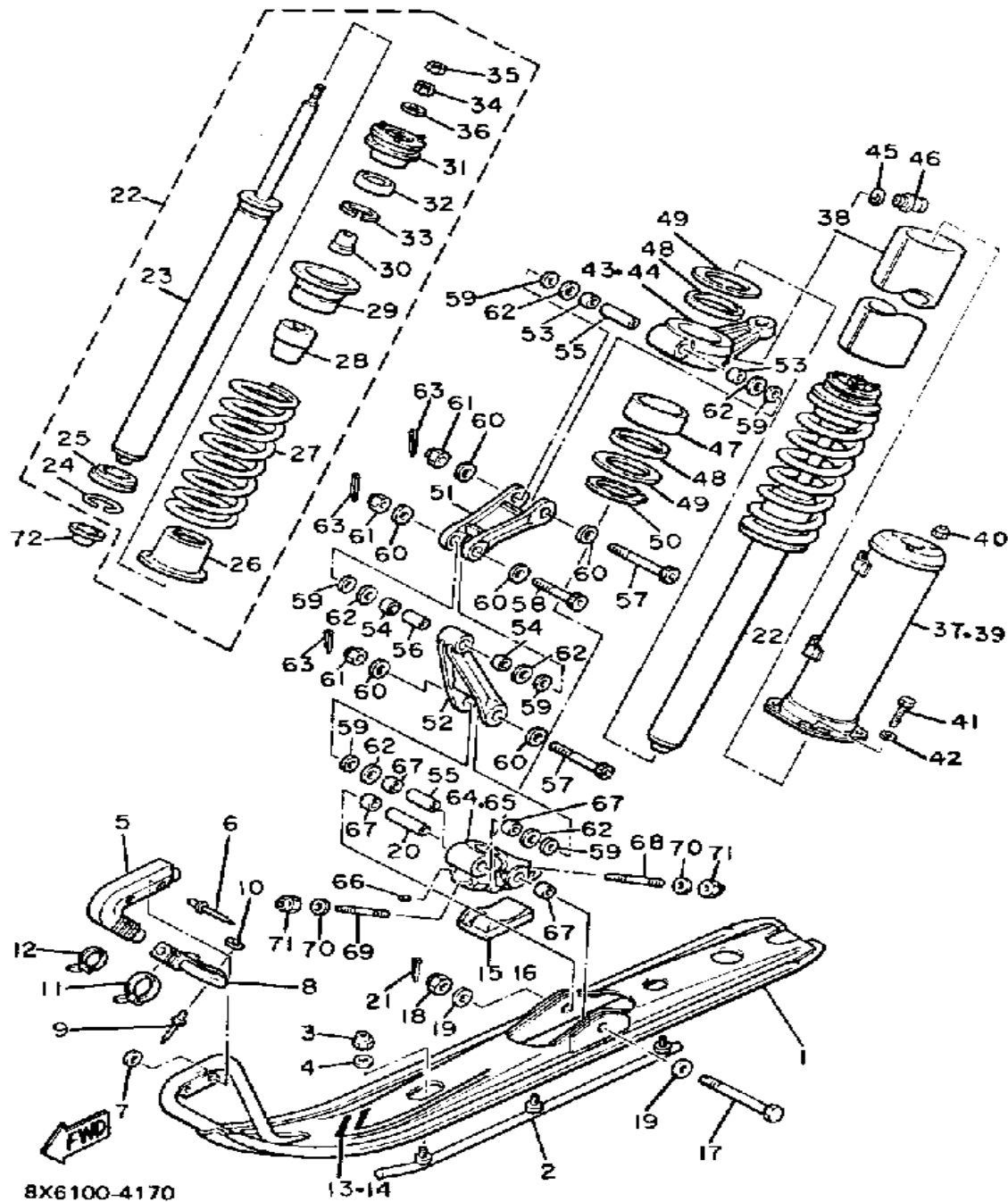


Ref. No.	Part Number	Description	Qty	Remarks
1	8M6-77311-02-00	GUARD, DRIVE (8M6-77311-01)	1	
2	8A5-77324-00-00	KNOB	2	
3	90385-08038-00	BUSH, SPEC'L RUBBER	2	
4	91609-40018-00	PIN, SPRING	2	
5	90201-08772-00	WASHER, PLATE	2	
6	91702-06070-00	PIN, CLEVIS	1	
7	90501-08661-00	SPRING, COMPRESSION	1	
8	90468-18008-00	CLIP	1	
9	95811-06012-00	BOLT, FLANGE	3	
10	95701-06500-00	NUT, FLANGE	3	
11	8R6-77761-00-00	LABEL, WARNING 1	1	
12	8U9-21945-01-00	BRACKET, TOOL BX FT	1	
13	8R4-2811G-00-00	BAND	1	
14	8U9-28100-00-00	TOOL KIT (8V9-28100-00)	1	
15	8R6-77762-00-00	LABEL, WARNING 2	1	

8U9100-3230

Property of www.SmallEngineDiscount.com - Not for Resale

SKI

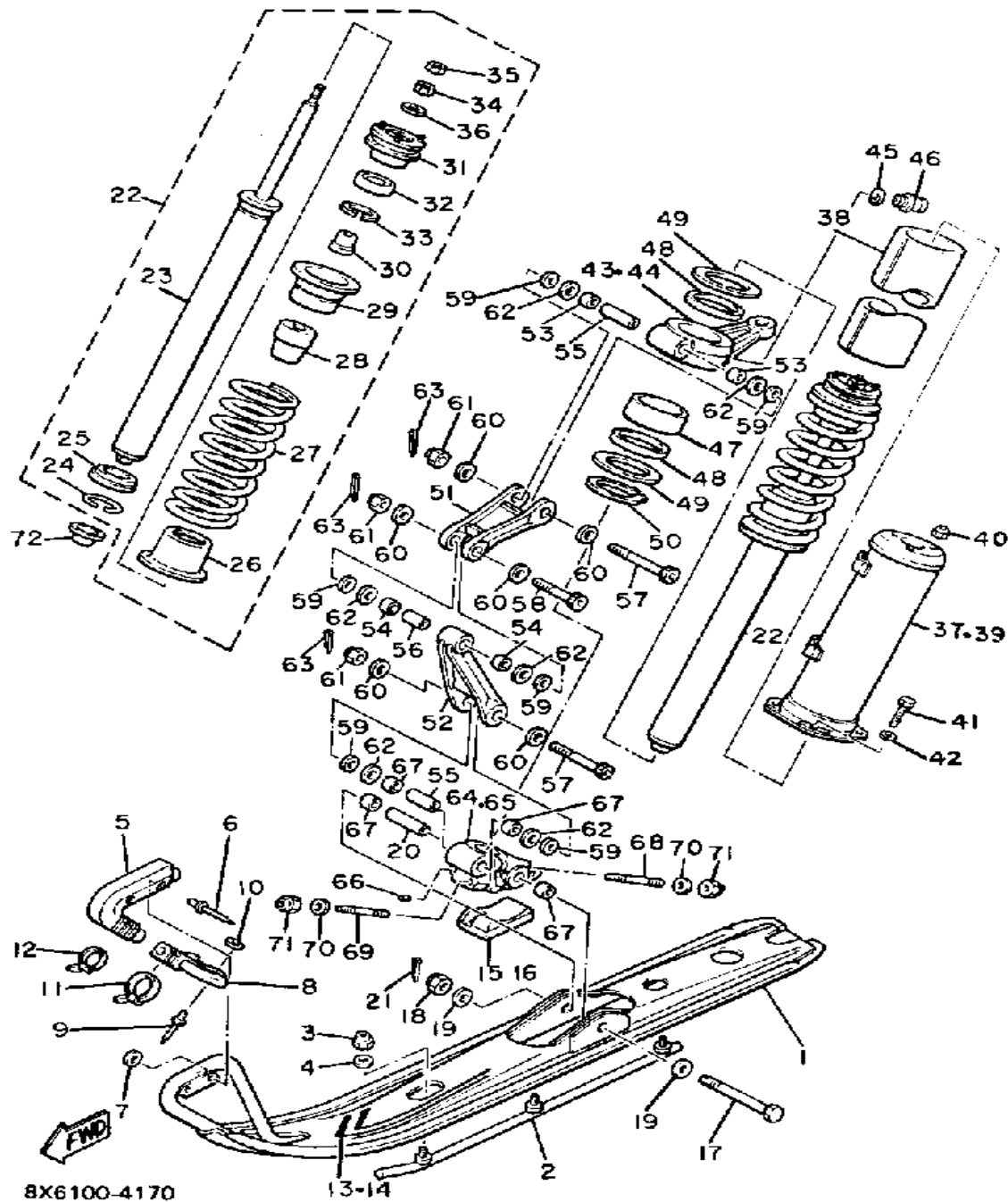


Ref. No.	Part Number	Description	Qty	Remarks
1	8X6-23710-00-00	SKI 1	2	
2	VMX-23731-01-XX	RUNNER 1 (8M6-23731-01-00)	2	
3	95611-08100-00	NUT, U	8	
4	92901-08600-00	WASHER	8	
5	8M6-23747-00-00	PROTECTOR, SKI	2	
6	90267-40029-00	RIVET, BLIND	8	
7	90201-042E0-00	WASHER, PLATE	8	
8	8V0-23748-00-00	PROTECTOR, SKI 2	2	
9	90267-40110-00	RIVET, BLIND	2	
10	90201-042E0-00	WASHER, PLATE	2	
11	90465-13169-00	CALMP	2	
12	12R-82591-00-00	BAND	2	
13	8X6-77365-00-00	EMBLEM 0	1	
14	8X6-77366-00-00	EMBLEM 1	1	
15	8L0-23743-01-00	STOPPER 1	1	
16	8L0-23744-01-00	STOPPER 2	1	
17	90102-10040-00	BOLT, WITH HOLE	2	
18	95706-10300-00	NUT, NYLON	2	
19	92906-10600-00	WASHER	4	
20	90387-10090-00	COLLAR	2	
21	91490-20020-00	PIN, COTTER	2	
22	8L9-2376A-00-00	ABSORBER ASSEMBLY 1	2	
23	8L9-22401-00-00	. DAMPER SUB-ASSEMBLY.	1	
24	93440-36087-00	. CIRCLIP, OUTER	1	
25	(8L9-23768-00-00)	SEAT, SPRING 1	1	
26	8L9-23777-00-00	. SEAT, SPRING 2	1	
27	90501-75612-00	. SPRING, COMPRESSION	1	
28	8L0-22493-00-00	. BUMP, STOP	1	
29	8L0-23788-00-00	. PLATE, BACK UP	1	

CONTINUED ON NEXT FRAME ➤

Property of www.SmallEngineDiscount.com - Not for Resale

SKI

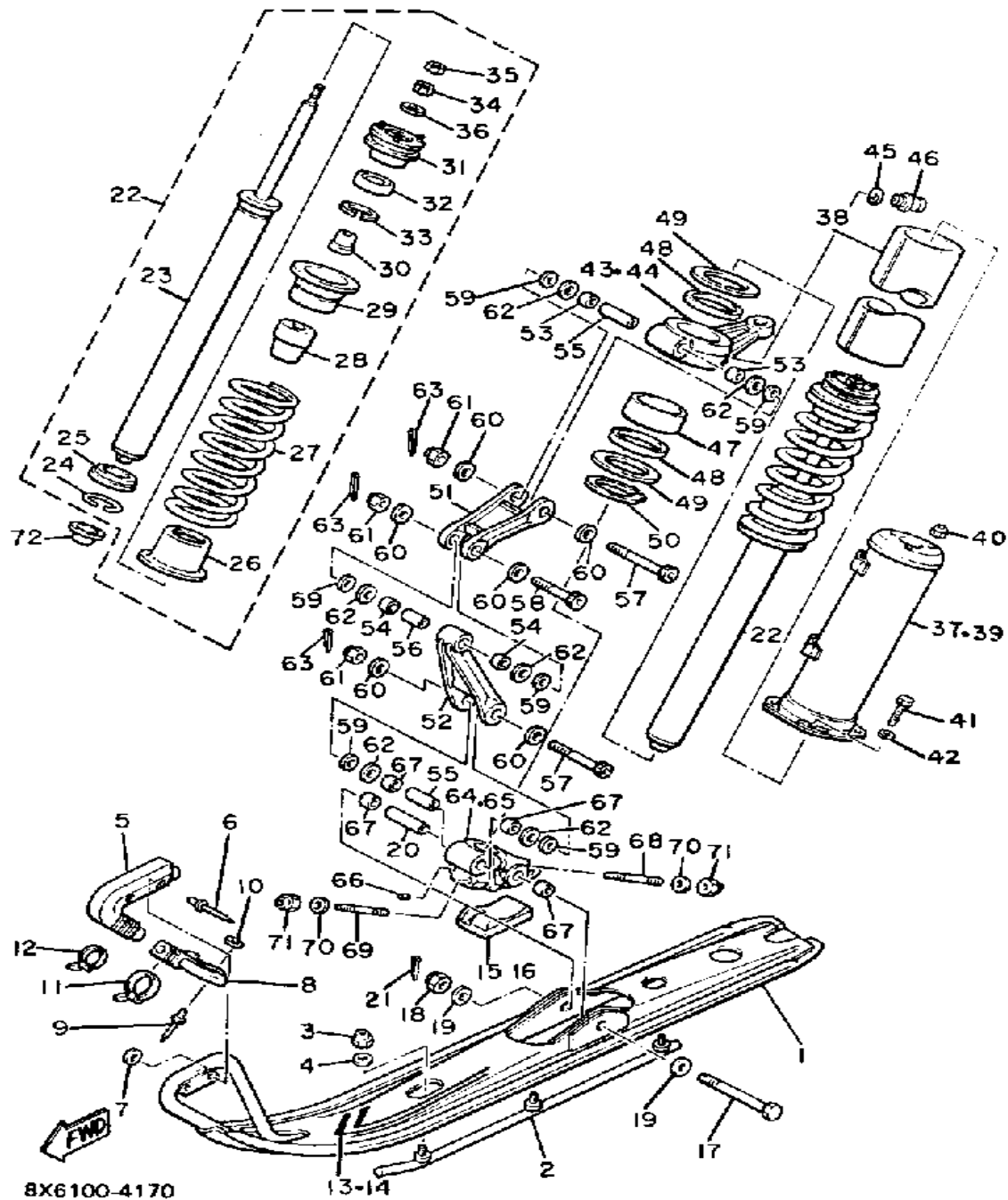


Ref. No.	Part Number	Description	Qty	Remarks
30	90387-100A5-00	. COLLAR	1	
31	8L0-2376H-00-00	. HOLDER, BEARING	1	
32	93306-20226-00	. BEARING	1	
33	99009-35500-00	. CIRCLIP	1	
34	90170-08220-00	. NUT	1	
35	95333-08600-00	. NUT	1	
36	90201-08107-00	. WASHER, PLATE	1	
37	8M6-2376J-01-00	HOLDER, ABSORBER (8M6-2376J-00)	1	
38	8L0-2376R-00-00	PROTECTOR	2	
39	8M6-2377J-00-00	HOLDER, ABSORBER 2	1	
40	95601-06100-00	NUT, U	6	
41	97011-06020-00	BOLT	8	
42	92995-06100-00	WASHER, SPRING	8	
43	8U9-23851-00-00	ARM, OUTSIDE 1	1	
44	8U9-23852-00-00	ARM, OUTSIDE 2	1	
45	90201-067F9-00	WASHER, PLATE	2	
46	93700-06M03-00	NIPPLE, GREASE	2	
47	90384-53175-00	BUSH, BIMETAL FORMED	2	
48	93109-53036-00	OIL SEAL	4	
49	90201-535H6-00	WASHER, PLATE (T=2.0)	4	U.R.
	90201-536A1-00	WASHER, PLATE (T=1.0)	4	U.R.
50	93410-52061-00	CIRCLIP	2	
51	8M6-2382E-00-00	ARM, FRONT 1	2	
52	8M6-2382F-00-00	ARM, FRONT 2	2	
53	90384-14091-00	BUSH, BIMETAL FORMED	4	
54	90384-14096-00	BUSH, BIMETAL FORMED	4	
55	90387-101Y9-00	COLLAR	4	
56	90387-100A4-00	COLLAR	2	

CONTINUED ON NEXT FRAME ►

Property of www.SmallEngineDiscount.com - Not for Resale

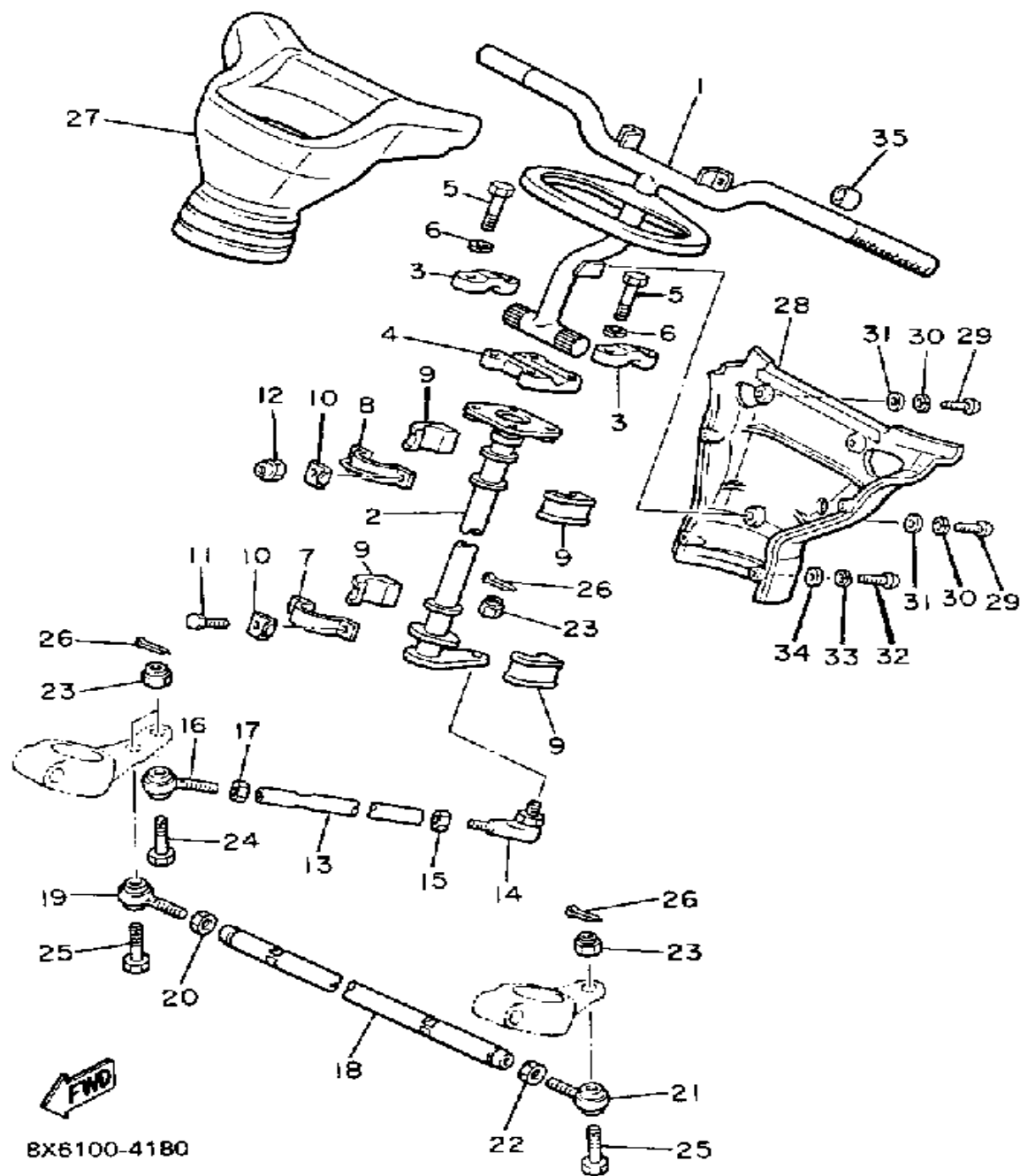
SKI



Ref. No.	Part Number	Description	Qty	Remarks
57	90110-10037-00	BOLT, HEX SKT HEAD	4	
58	90110-10036-00	BOLT, HEX SKT HEAD	2	
59	90201-105A8-00	WASHER, PLATE	12	
60	90201-115A7-00	WASHER, PLATE	12	
61	95706-10300-00	NUT, NYLON	6	
62	90202-14037-00	WASHER, PLATE	12	
63	91490-20020-00	PIN, COTTER	6	
64	8L9-2376E-00-00	BRACKET, 1 (L.H)	1	
65	8L9-2377E-00-00	BRACKET 2 (R.H)	1	
66	90113-06039-00	BOLT, SET	2	
67	90384-14091-00	BUSH, BIMETAL FORMED	8	
68	90116-08323-00	BOLT, STUD	2	
69	95611-08640-00	BOLT, STUD	2	
70	92901-08600-00	WASHER	4	
71	95712-08300-00	NUT, LOCK	4	
72	8L0-23741-00-00	CAP 1	2	

Property of www.SmallEngineDiscount.com - Not for Resale

STEERING

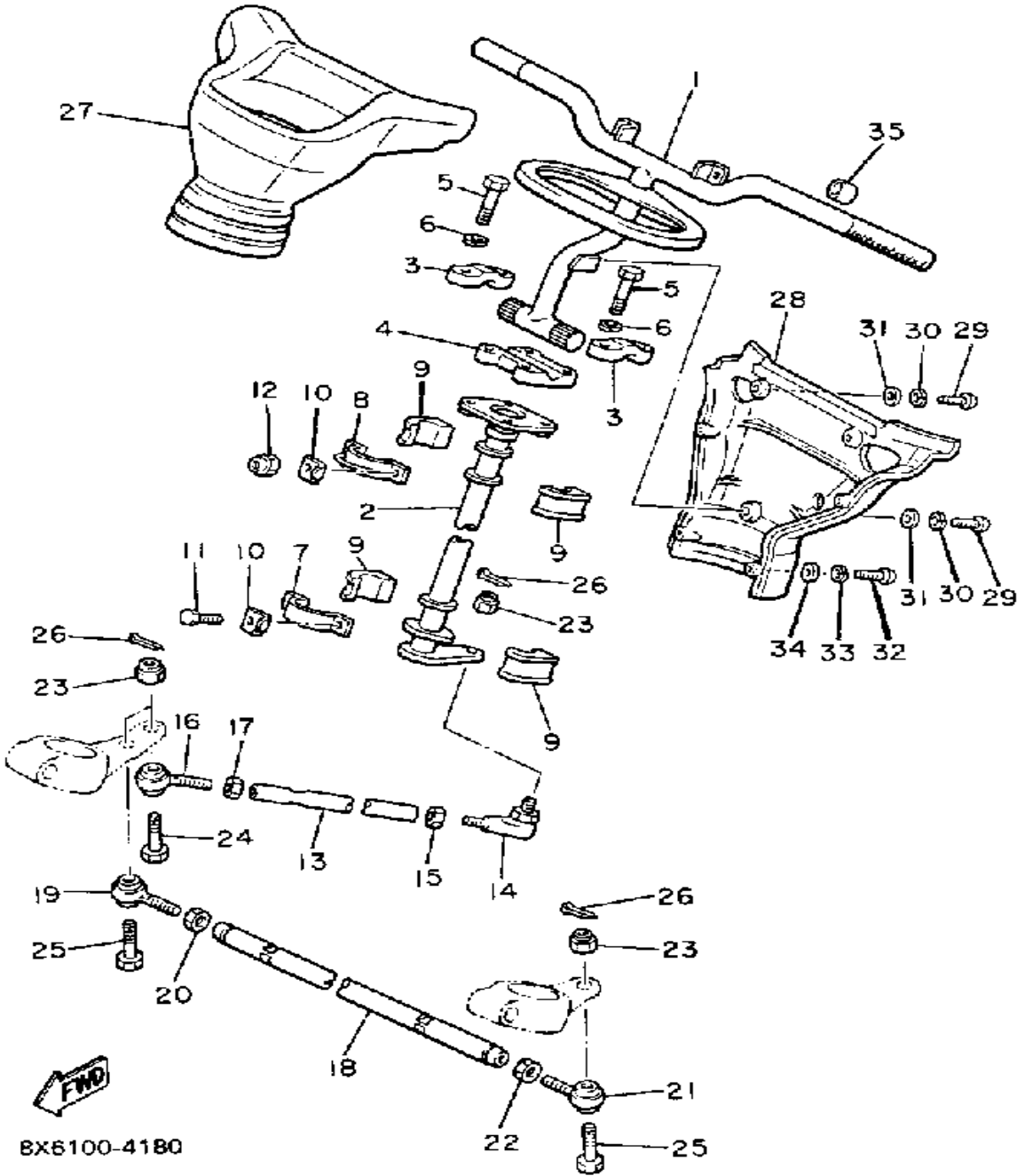


Ref. No.	Part Number	Description	Qty	Remarks
1	8U9-23811-00-00	COLUMN, STEERING	1	
2	8M6-23813-00-00	COLUMN, STEERING 2	1	
3	1E6-23441-00-00	HOLDER, HANDLE UPR	2	
4	164-23441-00-38	HOLDER HANDLE UPR	1	
5	97321-08055-00	BOLT, HEXAGON	4	
6	92990-08100-00	WASHER	4	
7	84M-23868-00-00	BRACKET, STEERING LOWER	1	
8	84M-23872-00-00	HOLDER, BEARING	1	
9	8F3-23812-00-00	PLANE BEARING, STEERING	4	
10	90215-08262-00	WASHER, LOCK	4	
11	97313-08016-00	BOLT, HEXAGON	2	
12	95712-08300-00	NUT, LOCK	2	
13	8M6-23821-00-00	ROD, STEERING RELAY	1	
14	86X-23841-00-00	JOINT, UNIVERSAL 1	1	
15	95303-10700-00	NUT	1	
16	87S-23847-00-00	JOINT, UNIVERSAL 3	1	
17	90170-10186-00	NUT	1	
18	8M6-23831-00-00	ROD, TIE	1	
19	87S-23847-00-00	JOINT, UNIVERSAL 3	1	
20	90170-10186-00	NUT	1	
21	87S-23845-00-00	JOINT, UNIVERSAL 2	1	
22	95303-10700-00	NUT	1	
23	95706-10300-00	NUT, NYLON	4	
24	90102-10031-00	BOLT, WITH HOLE	1	
25	90102-10044-00	BOLT, WITH HOLE	2	
26	91490-20020-00	PIN, COTTER	4	
27	8L8-23815-01-00	PAD, STEERING	1	
28	99999-01429-00	PAD KIT (8L8-23817-01)	1	
29	98586-05016-00	SCREW, PAN HEAD	3	

CONTINUED ON NEXT FRAME ➤

Property of www.SmallEngineDiscount.com - Not for Resale

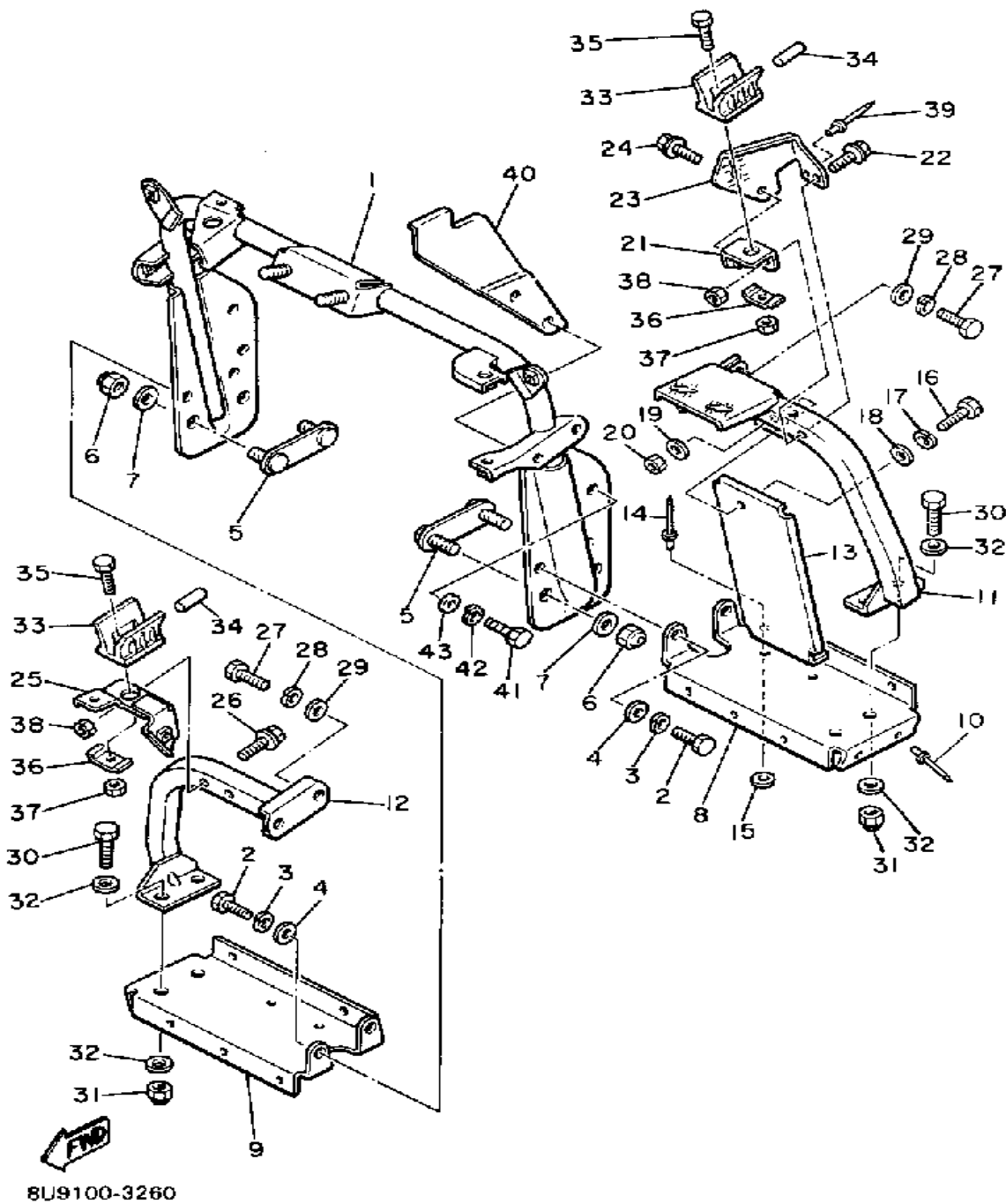
STEERING



Ref. No.	Part Number	Description	Qty	Remarks
30	92906-05100-00	WASHER, SPRING	3	
31	90201-05721-00	WASHER, PLATE	3	
32	98506-04012-00	SCREW, PAN HEAD	4	
33	92906-04100-00	WASHER, SPRING	4	
34	92906-04600-00	WASHER, PLATE	4	
35	(8X6-23857-00-00)	WASHER, LOCK	1	

Property of www.SmallEngineDiscount.com - Not for Resale

STEERING GATE

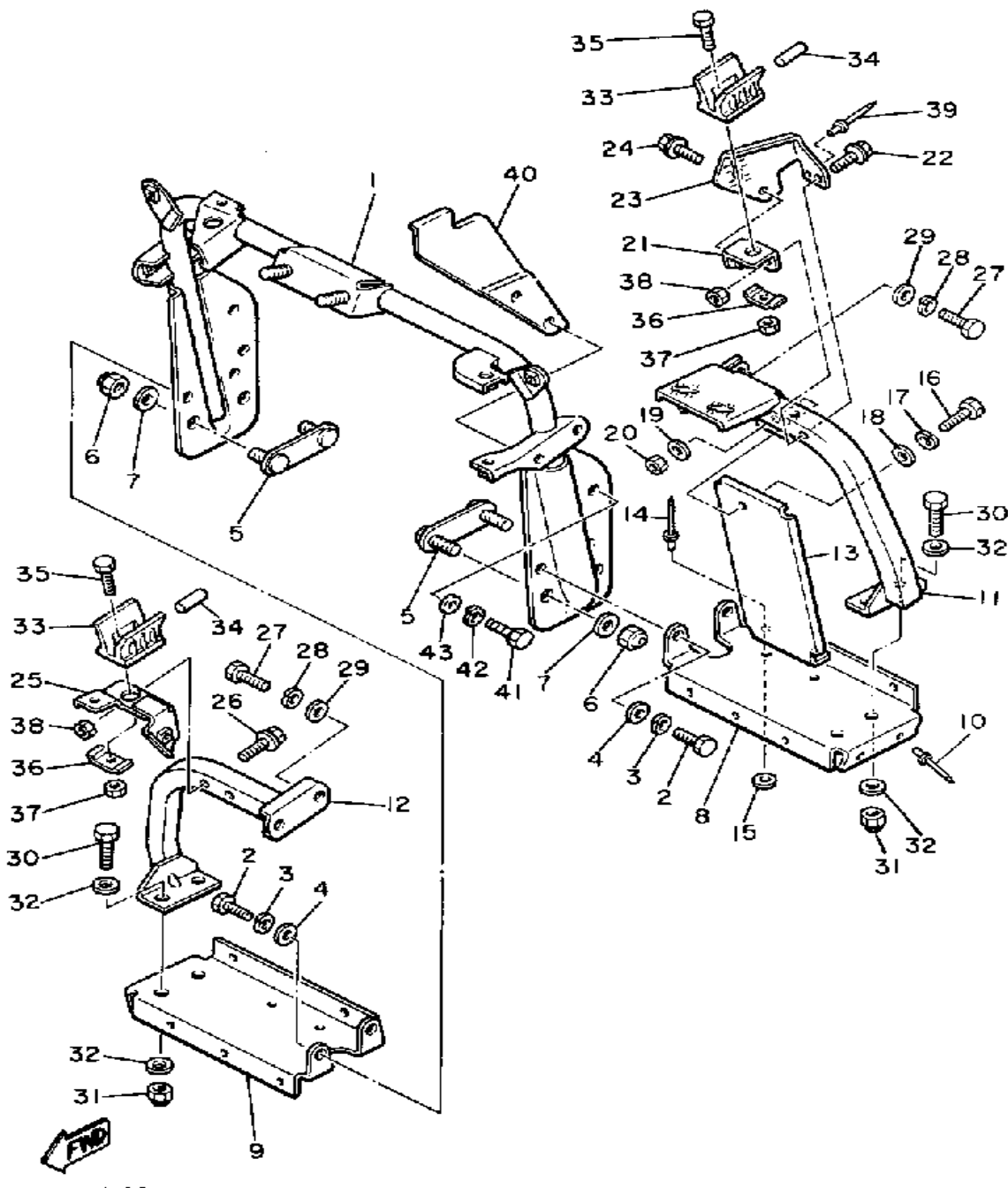


Ref. No.	Part Number	Description	Qty	Remarks
1	8M6-23870-00-00	STEERING GATE	1	
2	97313-06016-00	BOLT, HEXAGON	4	
3	92995-06100-00	WASHER, SPRING	4	
4	92990-06200-00	WASHER	4	
5	(8K4-23878-00-00)	BRACKET 0	2	
6	95712-08300-00	NUT, LOCK	4	
7	92990-08200-00	WASHER, PLAIN	4	
8	8M6-23883-00-00	BRACKET 3	1	
9	8M6-23884-00-00	BRACKET 4	1	
10	90267-48053-00	RIVET, BLIND	14	
11	8X6-23885-00-00	BRACKET 5	1	
12	8M6-23886-00-00	BRACKET 6	1	
13	8M6-23881-00-00	BRACKET 1	1	
14	90267-48079-00	RIVET, BLIND	2	
15	90201-04325-00	WASHER, PLATE	2	
16	97023-06020-00	BOLT (3XF)	1	
17	92995-06100-00	WASHER, SPRING	1	
18	92990-06600-00	WASHER, PLATE	1	
19	90201-061A5-00	WASHER, PLATE	1	
20	95380-06600-00	NUT	1	
21	8M6-23887-00-00	BRACKET 7	1	
22	95811-06030-00	BOLT, FLANGE	1	
23	8M6-23888-01-00	BRACKET 8 (8M6-23888-00)	1	
24	95811-06010-00	BOLT, FLANGE	1	
25	8M6-23889-01-00	BRACKET 9	1	
26	95811-06030-00	BOLT, FLANGE	2	
27	97313-06016-00	BOLT, HEXAGON	4	
28	92995-06100-00	WASHER, SPRING	4	
29	92990-06200-00	WASHER	4	

CONTINUED ON NEXT FRAME ►

Property of www.SmallEngineDiscount.com - Not for Resale

STEERING GATE

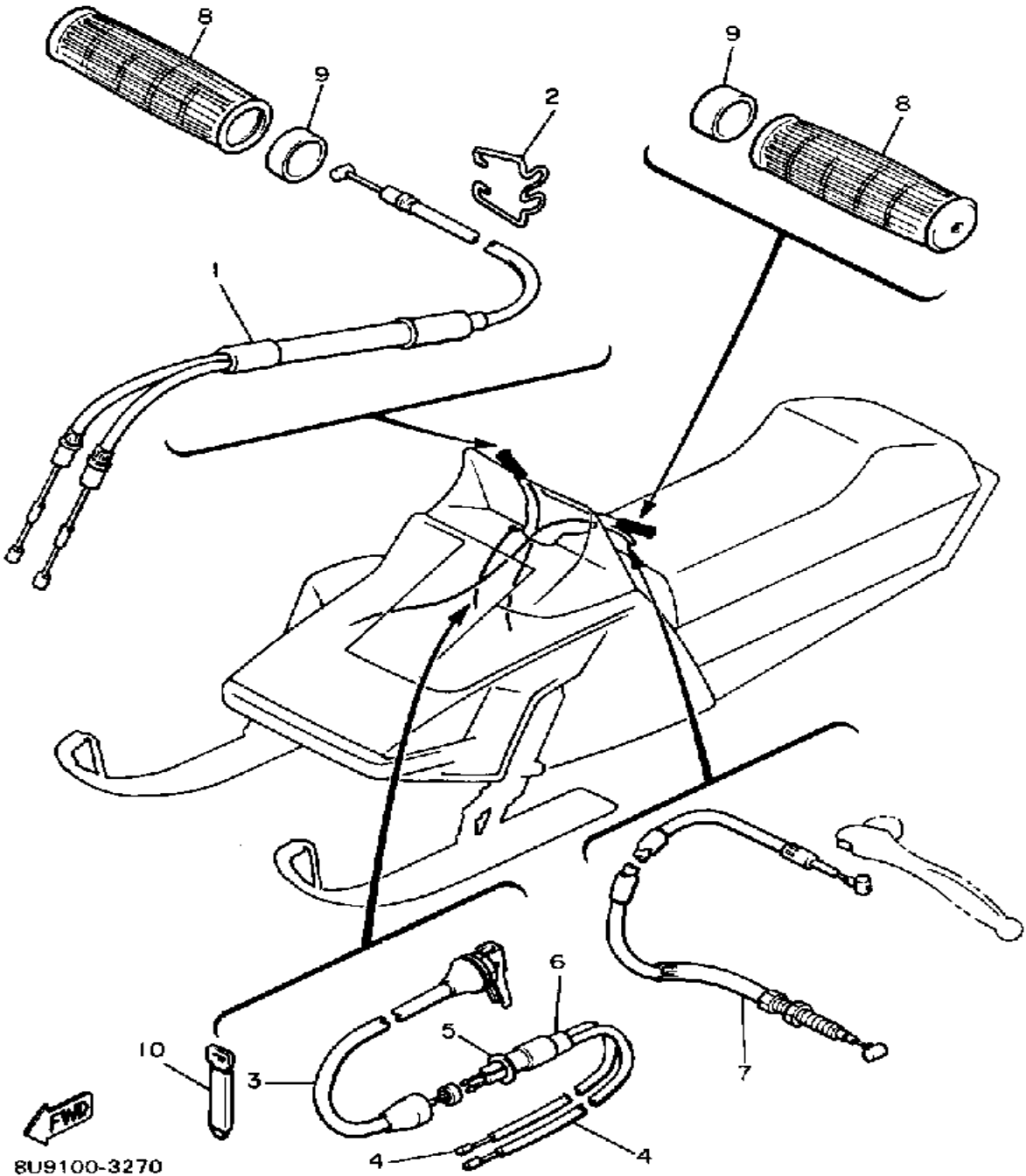


8U9100-3260

Ref. No.	Part Number	Description	Qty	Remarks
30	97313-06016-00	BOLT, HEXAGON	4	
32	92990-06200-00	WASHER	8	
33	878-77137-01-00	CLAMP 3	2	
34	878-77188-00-00	STOPPER	2	
35	97001-06008-00	BOLT, HEXAGON	2	
36	8M6-77125-00-00	STAY 1	2	
37	95601-06100-00	NUT, U	2	
38	95601-06100-00	NUT, U	2	
39	90267-48079-00	RIVET, BLIND	1	
40	(8U9-23898-00-00)	BRACKET 3	1	
41	95701-06300-00	NUT, NYLON	4	
	97013-06012-00	BOLT	2	
42	92995-06100-00	WASHER, SPRING	2	
43	92990-06200-00	WASHER	2	

Property of www.SmallEngineDiscount.com - Not for Resale

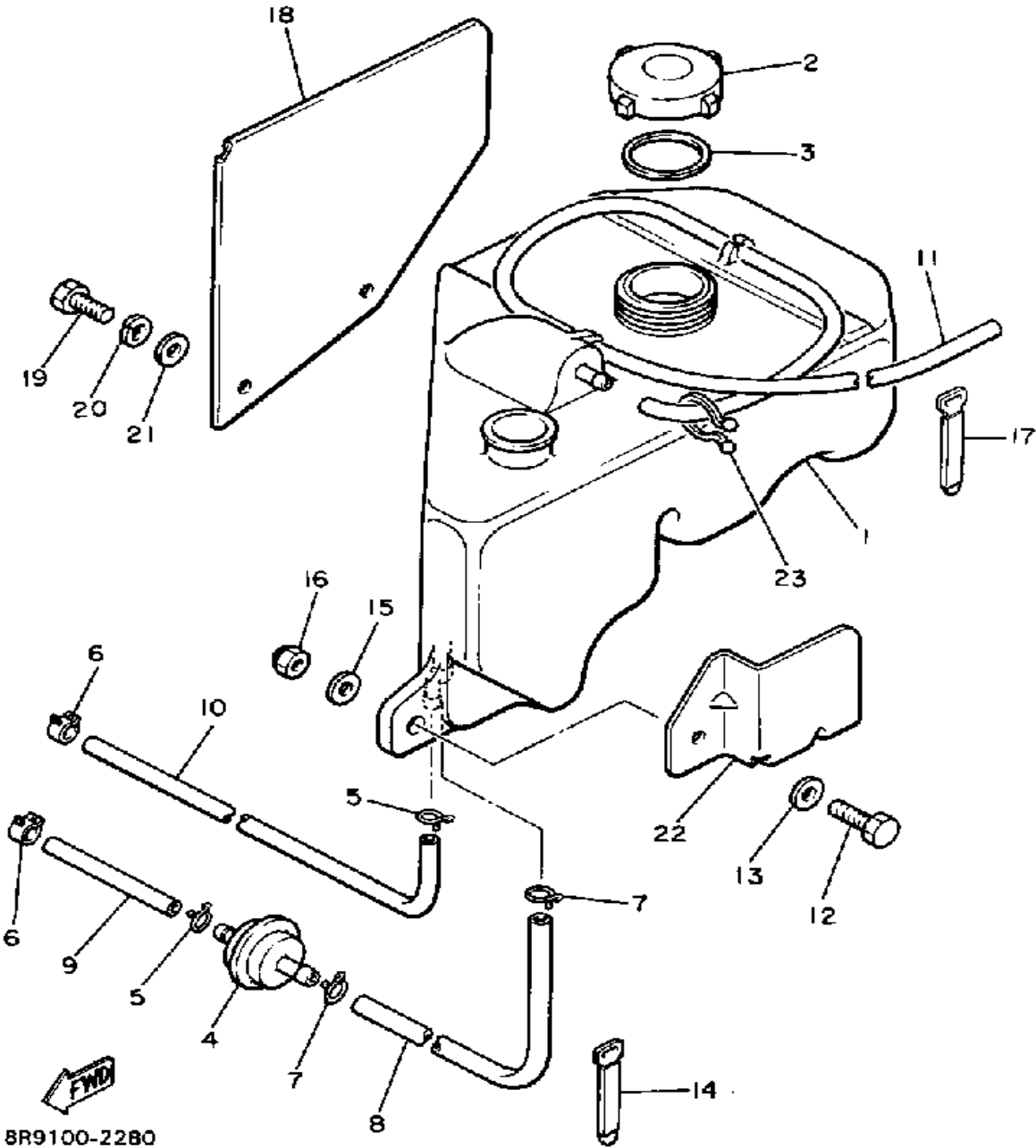
CONTROL-CABLE



Ref. No.	Part Number	Description	Qty	Remarks
1	8X6-26311-00-00	CABLE, THROTTLE 1	1	
2	8M6-26391-01-00	CLIP, CABLE	1	
3	8U9-26331-00-00	CABLE, STARTER 1	1	
4	8M6-26334-00-00	CABLE, STARTER 2	2	
5	4U1-26261-00-00	CONNECTOR, CABLE	1	
6	5L6-26272-00-00	CAP	1	
7	8K4-26340-00-00	CABLE, BRAKE	1	
9	801-26241-01-00	GRIP	2	
	90387-22726-00	COLLAR	2	
10	341-26397-01-00	BAND	1	

Property of www.SmallEngineDiscount.com - Not for Resale

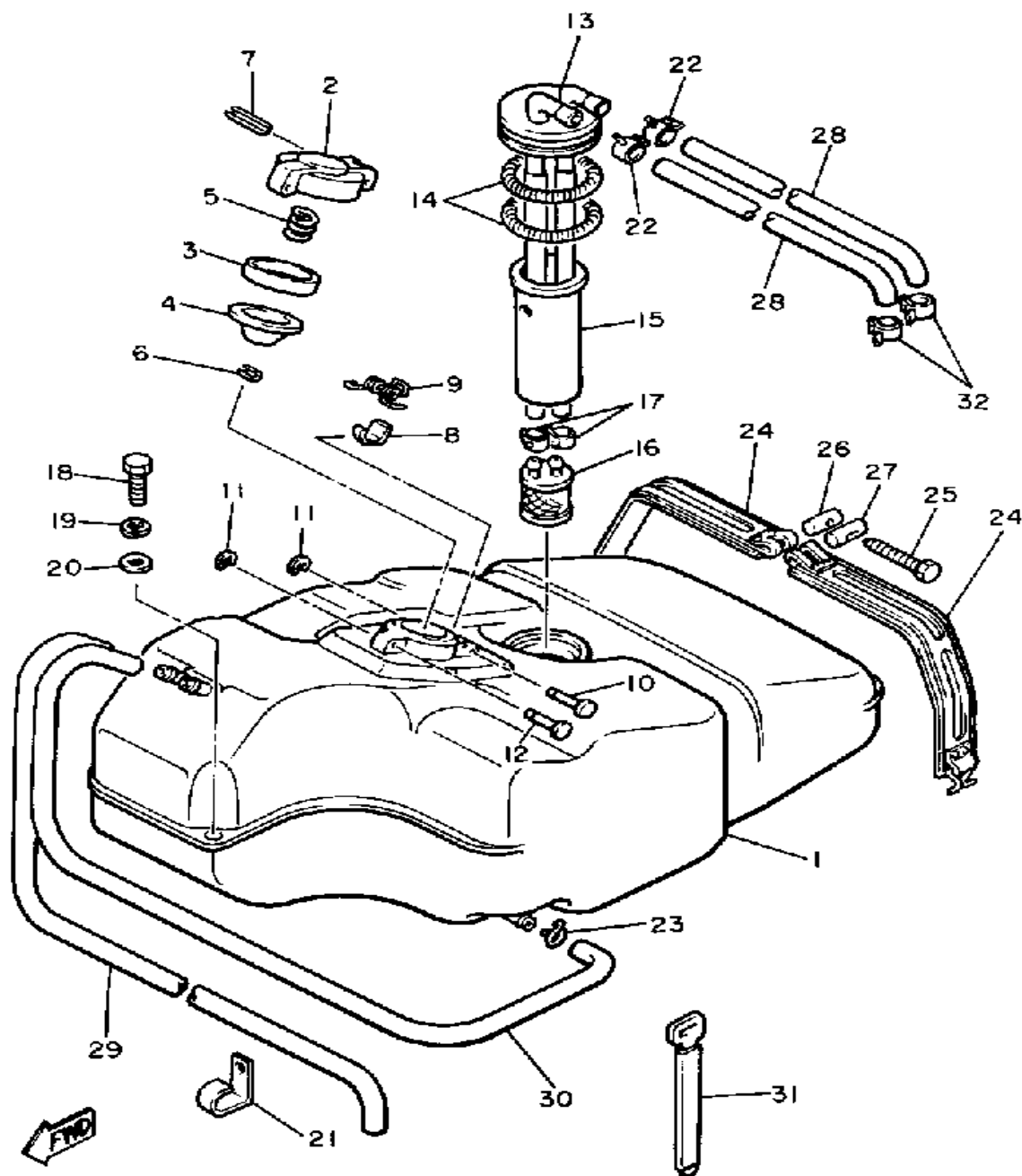
OIL TANK



Ref. No.	Part Number	Description	Qty	Remarks
1	8M6-21751-00-00	TANK, OIL	1	
2	863-21771-00-00	BODY, CAP	1	
3	90430-31003-00	GASKET	1	
4	8G8-13410-00-00	STRAINER HOUSING ASSEMBLY	1	
5	90467-09005-00	CLIP, SCISSOR	2	
6	90467-09026-00	CLIP	2	
7	90467-11009-00	CLIP	2	
8	91A20-07018-00	TUBE, FLEXIBLE VINYL	1	
9	90446-09088-00	HOSE	1	
10	90446-09013-00	HOSE (90446-09079)	1	
11	90446-09155-00	HOSE	1	
12	97011-06025-00	BOLT (97001-06025)	2	
13	90201-06067-00	WASHER, PLATE	2	
14	341-26397-01-00	BAND	2	
15	92990-06200-00	WASHER	1	
16	95701-06300-00	NUT, NYLON	1	
17	25G-83936-01-00	BAND, SWITCH CORD	1	
18	8M6-2174A-00-00	INSULATOR, SIDE CVR	1	
19	97013-06012-00	BOLT	2	
20	92995-06100-00	WASHER, SPRING	2	
21	90201-061A5-00	WASHER, PLATE	2	
22	8M6-2176E-01-00	PLATE	1	
23	90464-16039-00	CLAMP	1	

Property of www.SmallEngineDiscount.com - Not for Resale

FUEL TANK



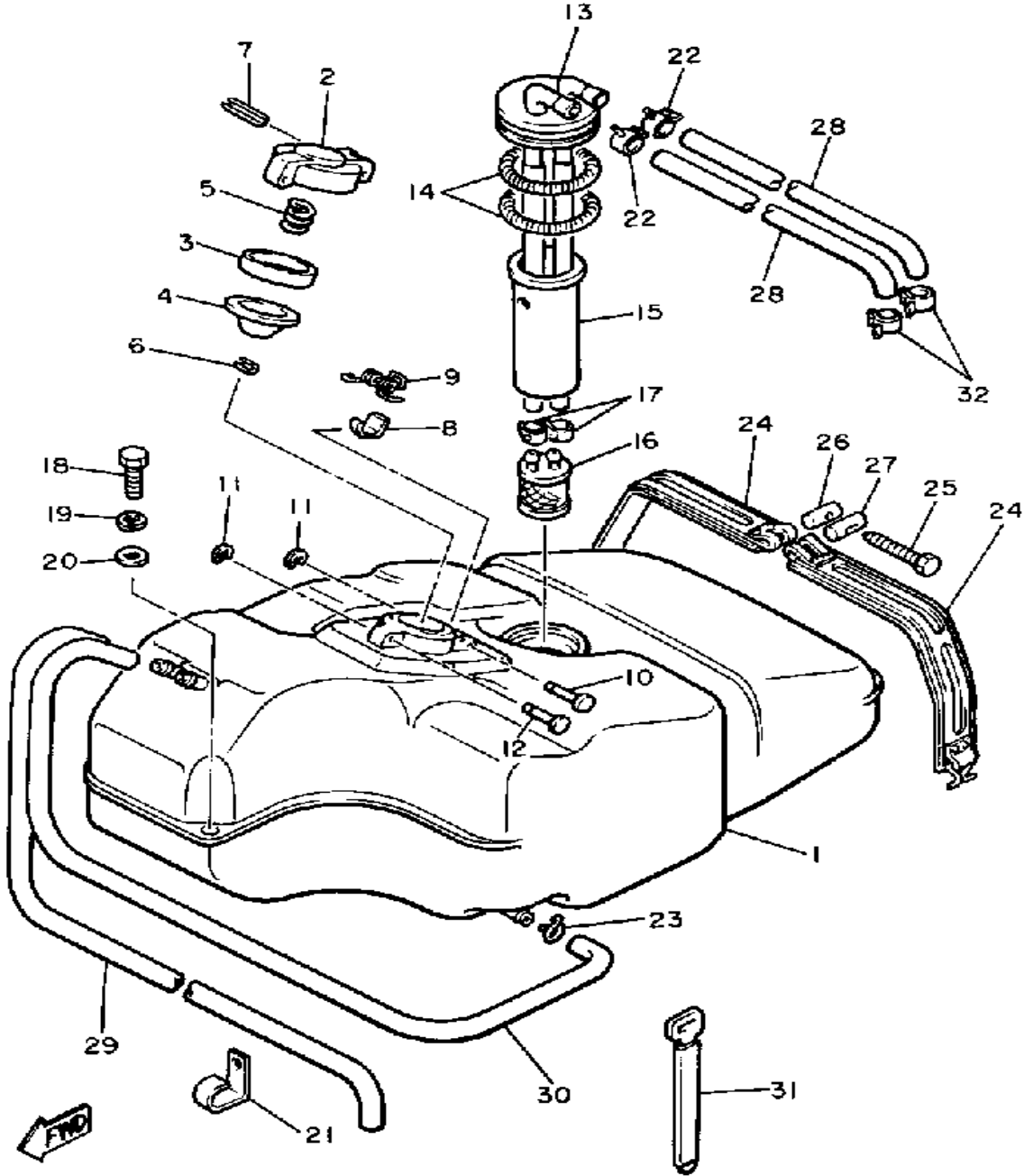
8U9100-3290

Ref. No.	Part Number	Description	Qty	Remarks
1	8M6-24111-01-00	FUEL TANK	1	
2	813-24611-01-00	BODY, CAP	1	
3	813-24613-01-00	DISC, CAP	1	
4	8F7-24641-00-00	GASKET, CAP 1	1	
5	90501-20130-00	SPRING, COMPRESSION	1	
6	91609-30016-00	PIN, SPRING	1	
7	91609-25032-00	PIN, SPRING	1	
8	83M-24628-00-00	HOOK	1	
9	90508-10715-00	SPRING, TORSION	1	
10	90249-03017-00	PIN	1	
11	93430-02001-00	CIRCLIP	2	
12	90249-03016-00	PIN, SPEC'L SHAPE	1	
13	8U9-24335-00-00	PIPE, SUCTION 1	1	
14	90506-06065-00	SPRING, TENSION	2	
15	8M6-24336-00-00	PIPE, SUCTION 2	1	
16	8U9-24560-00-00	FILTER ASSEMBLY	1	
17	90467-11028-00	CLIP	2	
18	97001-08025-00	BOLT (1NV)	1	
19	92990-08100-00	WASHER	1	
20	90201-087A9-00	WASHER, PLATE	1	
21	90465-06100-00	CLAMP	1	
22	90467-11028-00	CLIP	2	
23	90467-09005-00	CLIP, SCISSOR	1	
24	(8M6-24199-00-00)	BAND, TNK FITTING 2	2	
25	90149-05006-00	SCREW, SPEC'L SHAPE (821-24176-00)	1	
26	90179-05030-00	NUT, SPEC'L SHAPE (806-24146-00)	1	
27	806-24135-00-00	CLAMP 1	1	

CONTINUED ON NEXT FRAME ►

Property of www.SmallEngineDiscount.com - Not for Resale

FUEL TANK

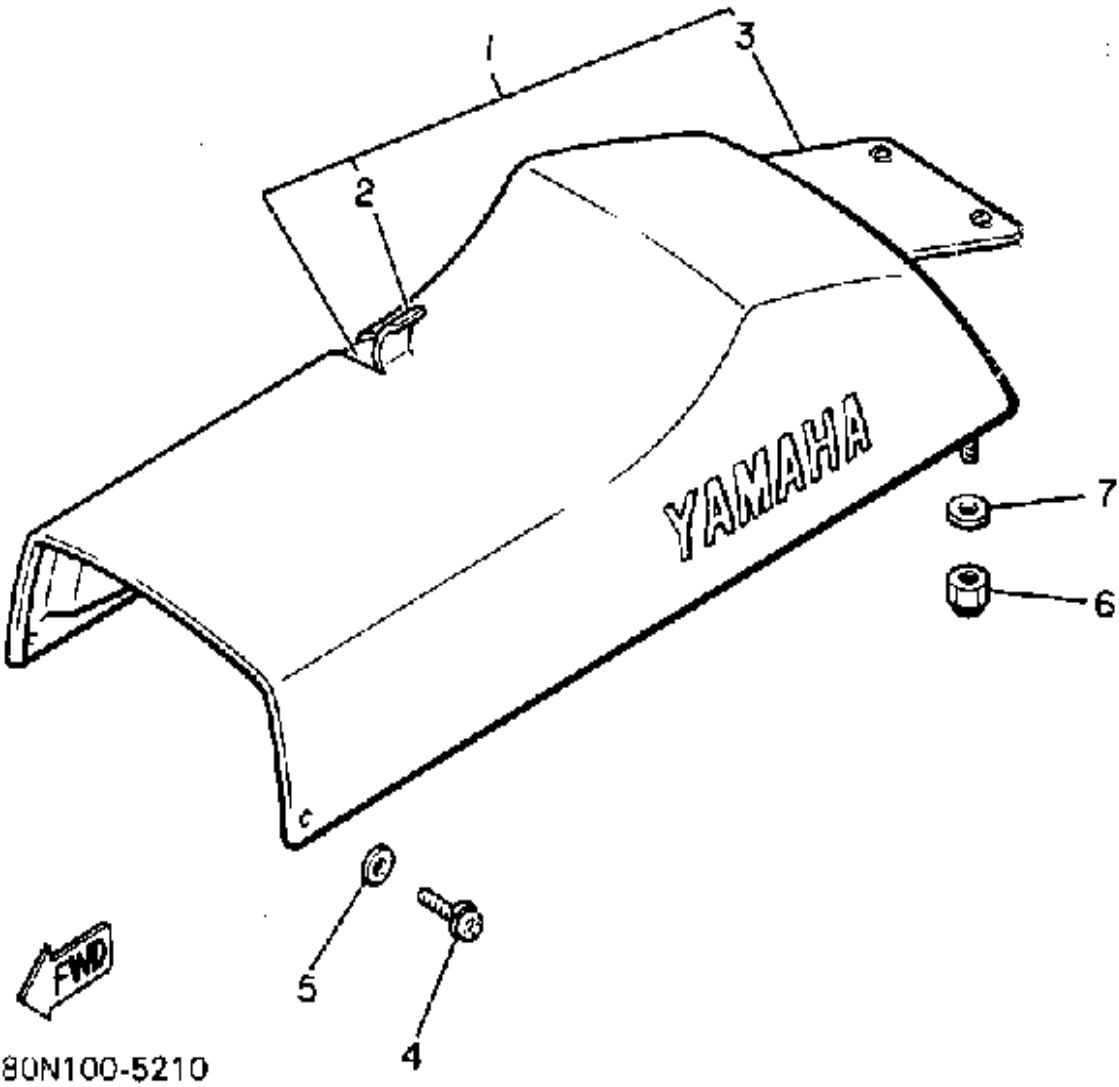


Ref. No.	Part Number	Description	Qty	Remarks
28	90446-11197-00	HOSE	2	
29	90446-09165-00	HOSE	1	
30	90446-09155-00	HOSE	1	
31	341-26397-01-00	BAND	3	
32	90467-11028-00	CLIP	2	

8U9100-3290

Property of www.SmallEngineDiscount.com - Not for Resale

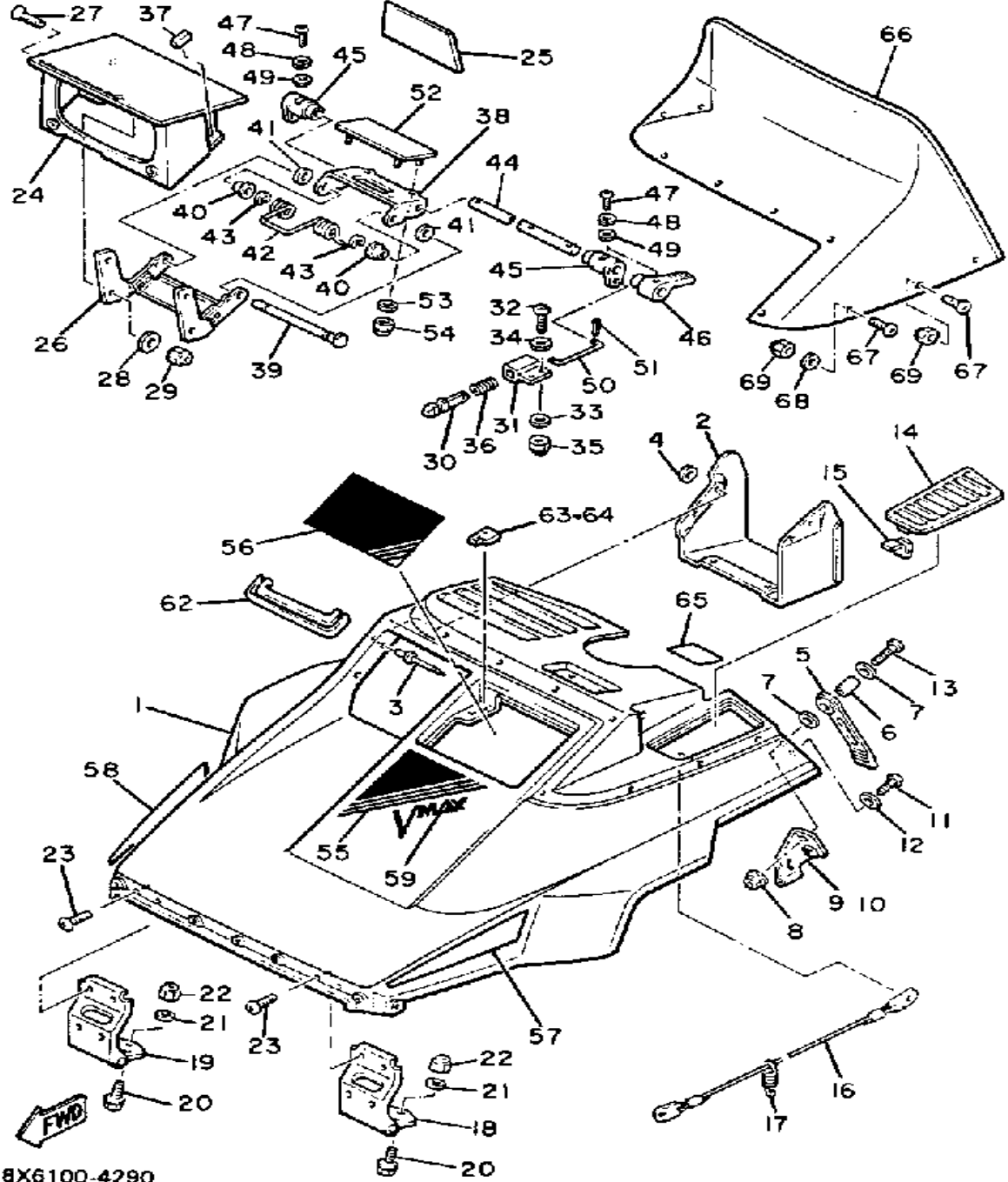
SEAT



Ref. No.	Part Number	Description	Qty	Remarks
1	8U9-24710-00-00	SINGLE SEAT ASSEMBLY	1	
2	8U9-24711-00-00	. COVER, SINGLE SEAT	1	
3	8U9-77377-01-00	. COVER, LUGGAGE BOX 2	1	
4	90159-06019-00	SCREW, WITH WASHER	2	
5	90201-063J2-00	WASHER, PLATE	2	
6	95712-08300-00	NUT, LOCK	2	
7	90201-08748-00	WASHER, PLATE	2	

Property of www.SmallEngineDiscount.com - Not for Resale

SHROUD-WINDSHIELD

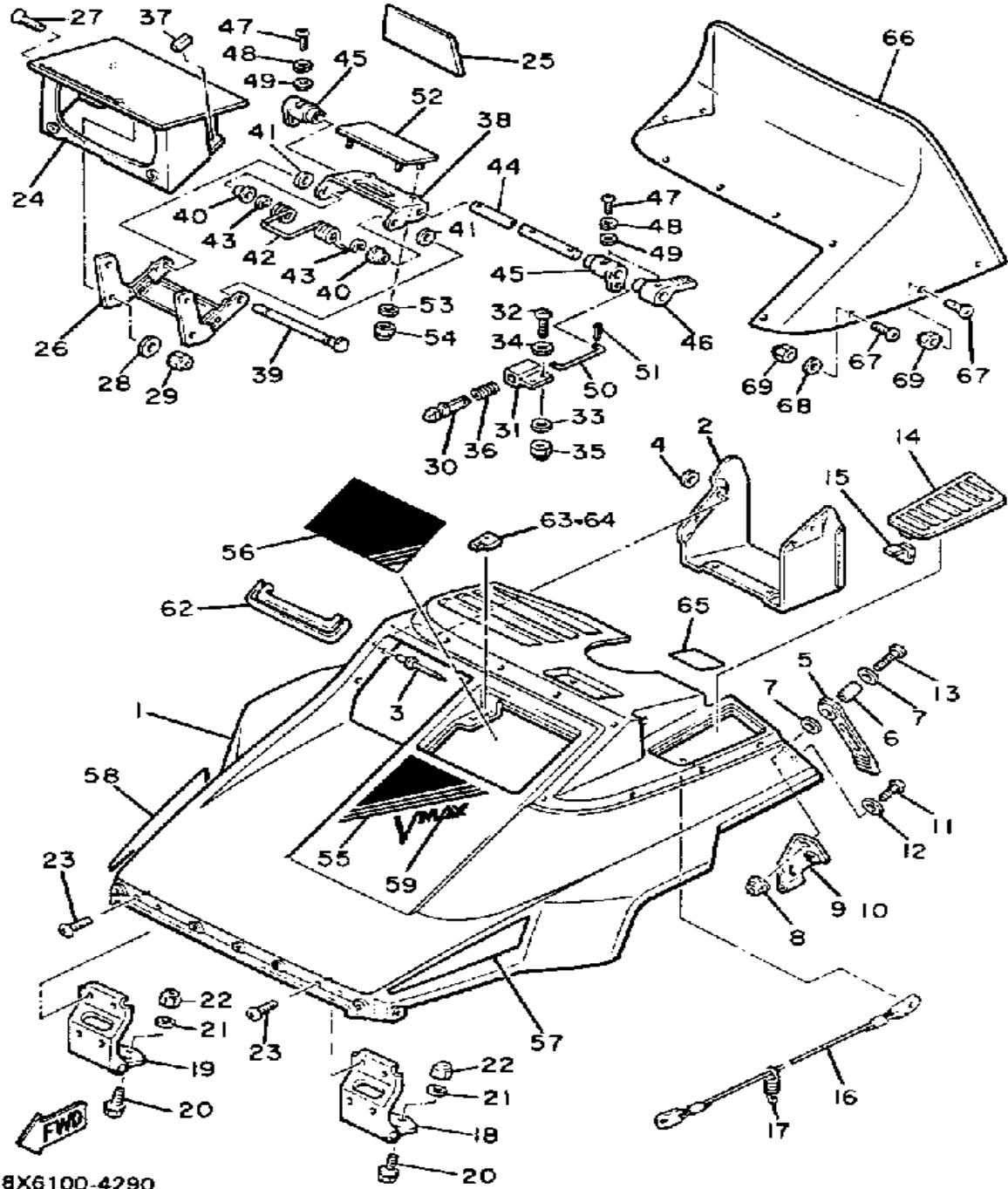


Ref. No.	Part Number	Description	Qty	Remarks
1	8X6-W7711-00-00	SHROUD ASSEMBLY	1	
2	8X6-77194-00-00	DUCT	1	
3	90267-48014-00	RIVET, BLIND	6	
4	90201-04325-00	WASHER, PLATE	6	
5	8M6-77171-00-00	BODY, LATCH 1	2	
6	90387-06241-00	COLLAR	2	
7	90201-06059-00	WASHER, PLATE	4	
8	95701-06500-00	NUT, FLANGE	2	
9	8M6-77135-00-00	CLAMP 1	1	
10	8M6-77136-00-00	CLAMP 2	1	
11	98906-06016-00	SCREW, BIND	2	
12	92906-06200-00	WASHER	2	
13	98906-06025-00	SCREW, BIND	2	
14	8X6-77133-00-00	LOUVER 3	1	
15	90468-05094-00	CLIP	4	
16	8U9-77118-00-00	STOPPER, SHROUD	1	
17	838-77159-00-00	CLAMP, ROD	1	
18	8M6-77140-01-00	HINGE ASSEMBLY	1	
19	8M6-7714A-01-00	HINGE ASSEMBLY 2	1	
20	95816-06016-00	BOLT, FLANGE	6	
21	90201-065F3-00	WASHER, PLATE	6	
22	95701-06300-00	NUT, NYLON	6	
23	98980-06016-00	SCREW, BINDING	4	
24	8X6-84311-00-00	BODY, HEADLIGHT	1	
25	8X6-84367-00-00	DAMPER, HEADLIGHT 2	1	
26	8M6-84318-00-00	STAY, HEADLIGHT 1	1	
27	98706-05016-00	SCREW, FLAT HEAD	4	
28	92990-05200-00	WASHER, PLAIN	4	
29	95701-05300-00	NUT, NYLON	4	

CONTINUED ON NEXT FRAME ➤

Property of www.SmallEngineDiscount.com - Not for Resale

SHROUD-WINDSHIELD

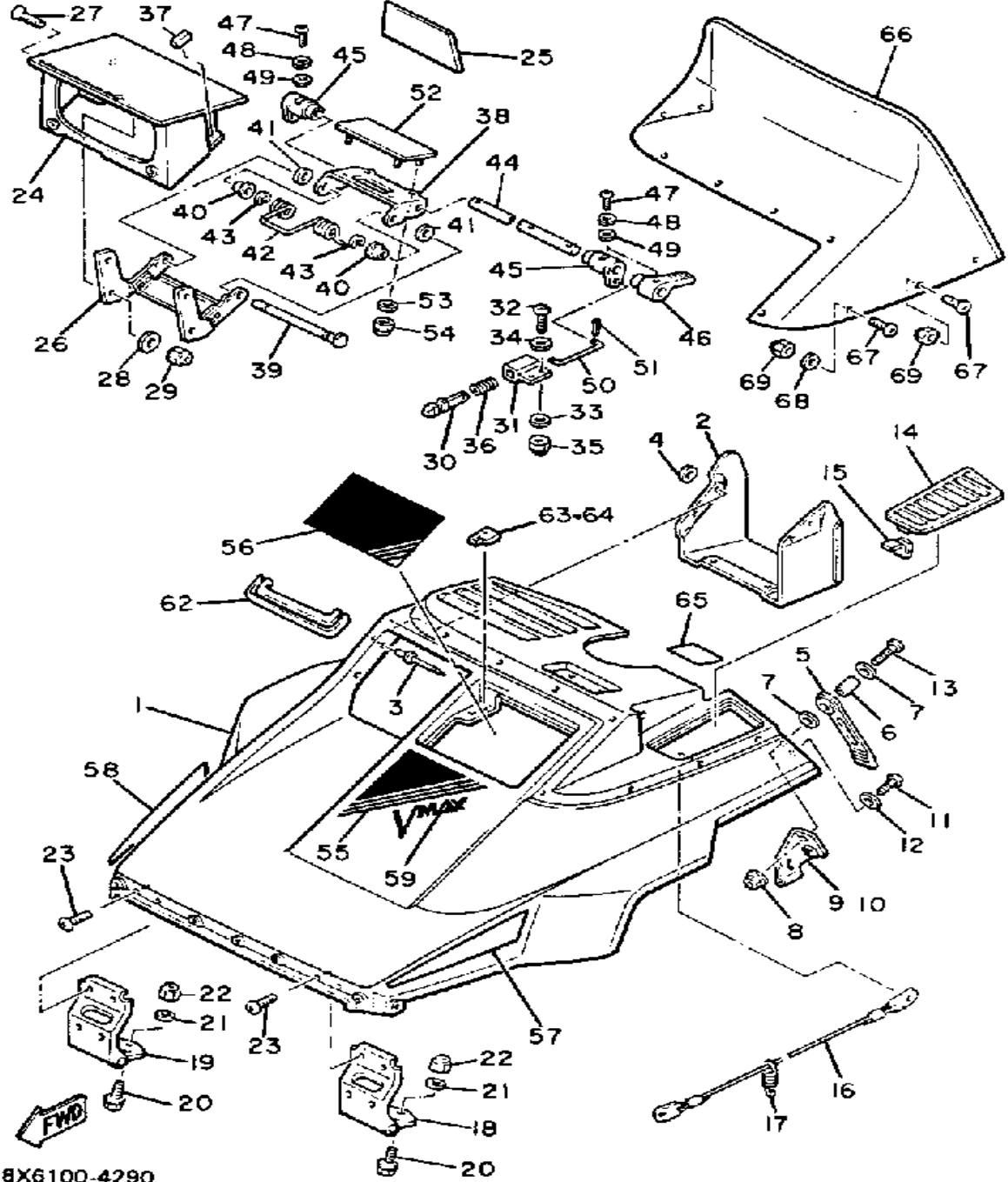


Ref. No.	Part Number	Description	Qty	Remarks
30	8M6-77119-00-00	ROD 1	2	
31	8M6-77139-00-00	HOLDER, ROD 1	2	
32	98906-06025-00	SCREW, BIND	4	
33	92990-06200-00	WASHER	4	
34	92906-06200-00	WASHER	4	
35	95701-06300-00	NUT, NYLON	4	
36	8M6-77184-00-00	SPRING R (R.H.)	2	
37	8M6-77185-00-00	PLATE 1	2	
38	8M6-84319-00-00	STAY, HEADLIGHT 2	1	
39	8M6-8411R-00-00	PIN	1	
40	8M6-77176-00-00	COLLAR 1	2	
41	8M6-77178-00-00	WASHER 1	2	
42	8M6-77174-00-00	SPRING 1	1	
43	99080-07600-00	CIRCLIP (E)	2	
44	8M6-77158-00-00	PIN, HINGE 2	1	
45	8M6-77159-00-00	CLAMP, ROD	2	
46	8M6-77173-00-00	LEVER, LATCH 1	1	
47	98506-03016-00	SCREW, PAN HEAD	3	
48	92990-03100-00	WASHER, SPRING (92901-03100)	3	
49	92902-03600-00	WASHER	3	
50	8M6-77129-00-00	ROD 2	2	
51	91401-10015-00	PIN, COTTER	4	
52	(8X6-77189-00-00)	COVER, LEVER	1	
53	92990-05200-00	WASHER, PLAIN	4	
54	95612-05100-00	NUT, U	4	
55	(8X6-77355-00-00)	EMBLEM 5	1	
56	8X6-77356-00-00	EMBLEM 6	1	
57	8X6-77367-00-00	EMBLEM 2	1	

CONTINUED ON NEXT FRAME ►

Property of www.SmallEngineDiscount.com - Not for Resale

SHROUD-WINDSHIELD

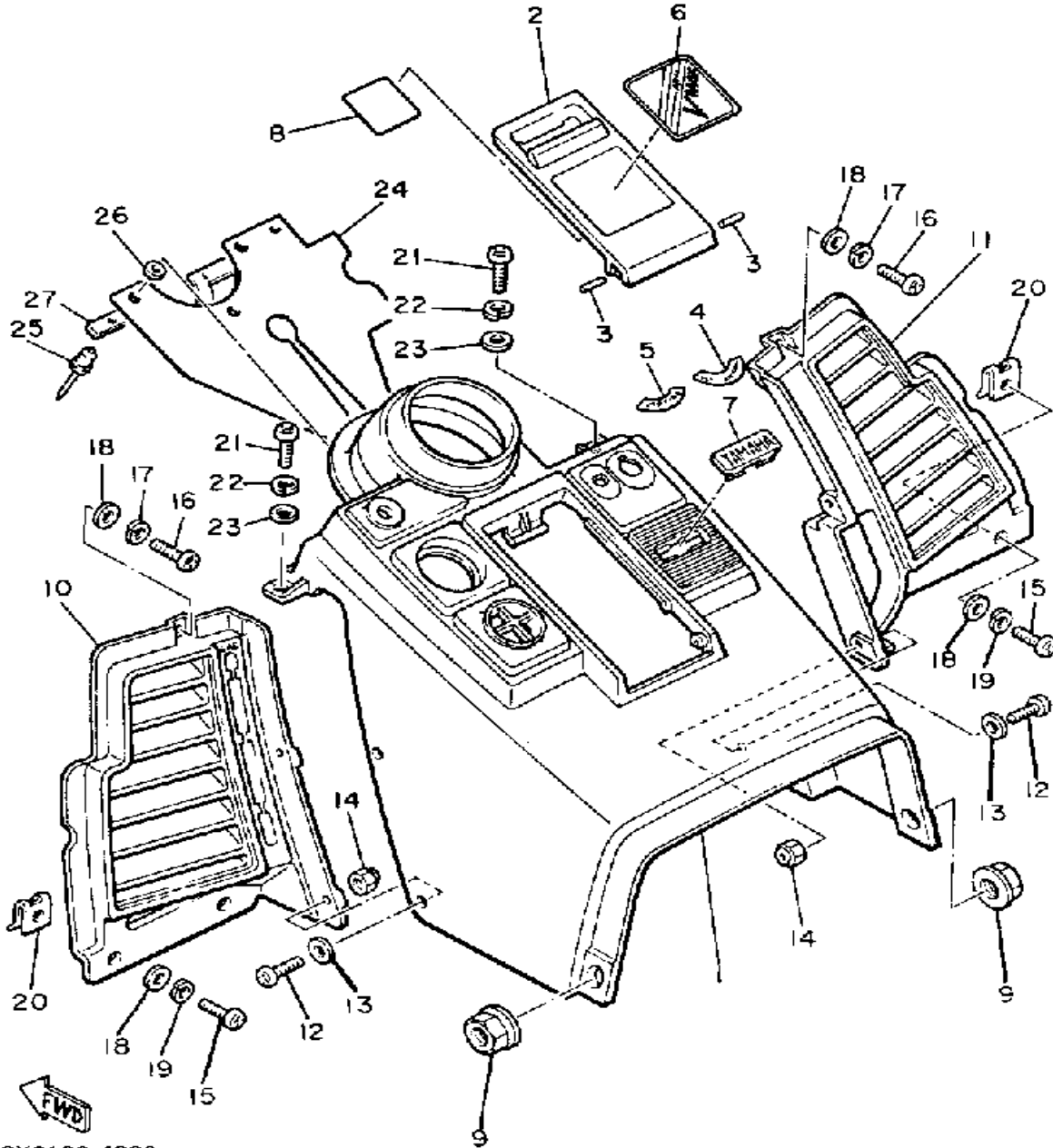


8X6100-4290

Ref. No.	Part Number	Description	Qty	Remarks
58	8X6-77368-00-00	EMBLEM 3	1	
59	8X6-77371-00-00	EMBLEM 5	1	
60	90202-04003-00	WASHER, PLATE	2	
61	90183-04005-00	NUT, SPRING	2	
62	8X6-77123-00-00	GUIDE 1	1	
63	8X6-77151-00-00	PAD 1	1	
64	8X6-77152-00-00	PAD 2	1	
65	8U9-77763-00-00	LABEL, WARNING 3	1	
66	8M6-77210-00-00	WINDSHIELD	1	
67	90164-05007-00	SCREW, TAPPING	10	
68	90201-05029-00	WASHER, PLATE	9	
69	95701-05500-00	NUT, FLANGE	9	

Property of www.SmallEngineDiscount.com - Not for Resale

INSTRUMENT PANEL

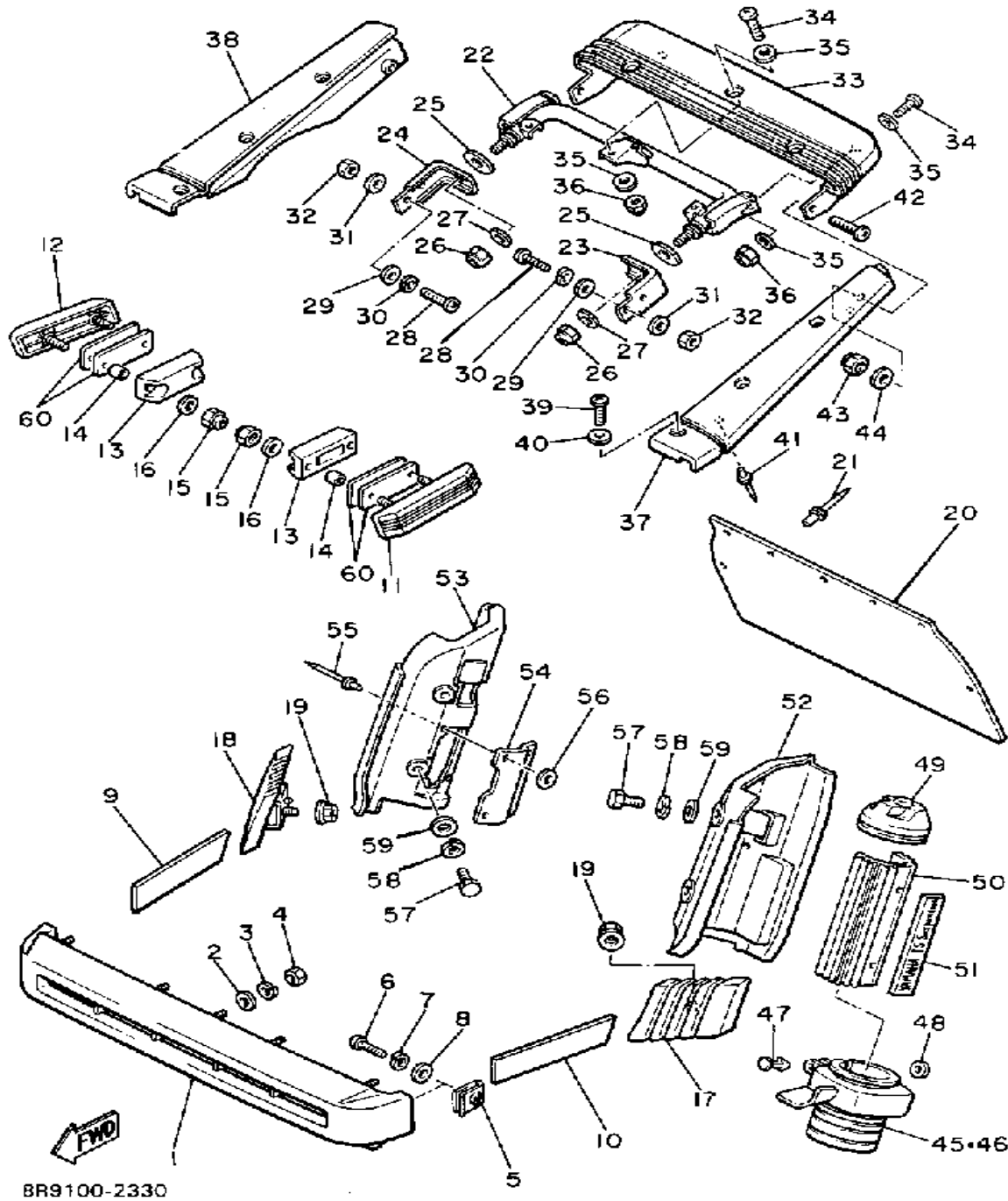


8X6100-4320

Ref. No.	Part Number	Description	Qty	Remarks
1	8U9-77711-00-00	PANEL, INSTRUMENT	1	
2	8M6-77712-00-00	PANEL, INSTRUMENT	1	
3	8K4-77477-00-00	PIN, HINGE	2	
4	8U9-77741-00-00	INDICATOR 1	1	
5	8U9-77742-00-00	INDICATOR 2	1	
6	8X6-77372-00-00	EMBLEM 6	1	
7	8M6-77725-00-00	EMBLEM 1	1	
8	8K2-77744-01-00	INDICATOR 4	1	
9	90179-16251-00	NUT, SPEC'L SHAPE	2	
10	8M6-77131-00-00	LOUVER 1	1	
11	8M6-77132-00-00	LOUVER 2	1	
12	98516-05012-00	SCREW, PAN HEAD 4CG	3	
13	90201-05725-00	WASHER, PLATE	3	
14	95701-05300-00	NUT, NYLON	3	
15	90167-05007-00	SCREW, TAPPING	4	
16	98586-05016-00	SCREW, PAN HEAD	2	
17	92906-05100-00	WASHER, SPRING	2	
18	90201-05721-00	WASHER, PLATE	6	
19	92906-05100-00	WASHER, SPRING	4	
20	90183-05013-00	NUT, SPRING	4	
21	98506-06016-00	SCREW, PANHEAD	2	
22	92906-06100-00	WASHER, SPRING	2	
23	90201-062A8-00	WASHER, PLATE	2	
24	8U9-77731-00-00	SHIELD 1	1	
25	90267-40076-00	RIVET, BLIND	4	
26	90201-042E0-00	WASHER, PLATE	8	
27	8X6-77721-00-00	BRACKET 1	1	

Property of www.SmallEngineDiscount.com - Not for Resale

BUMPER

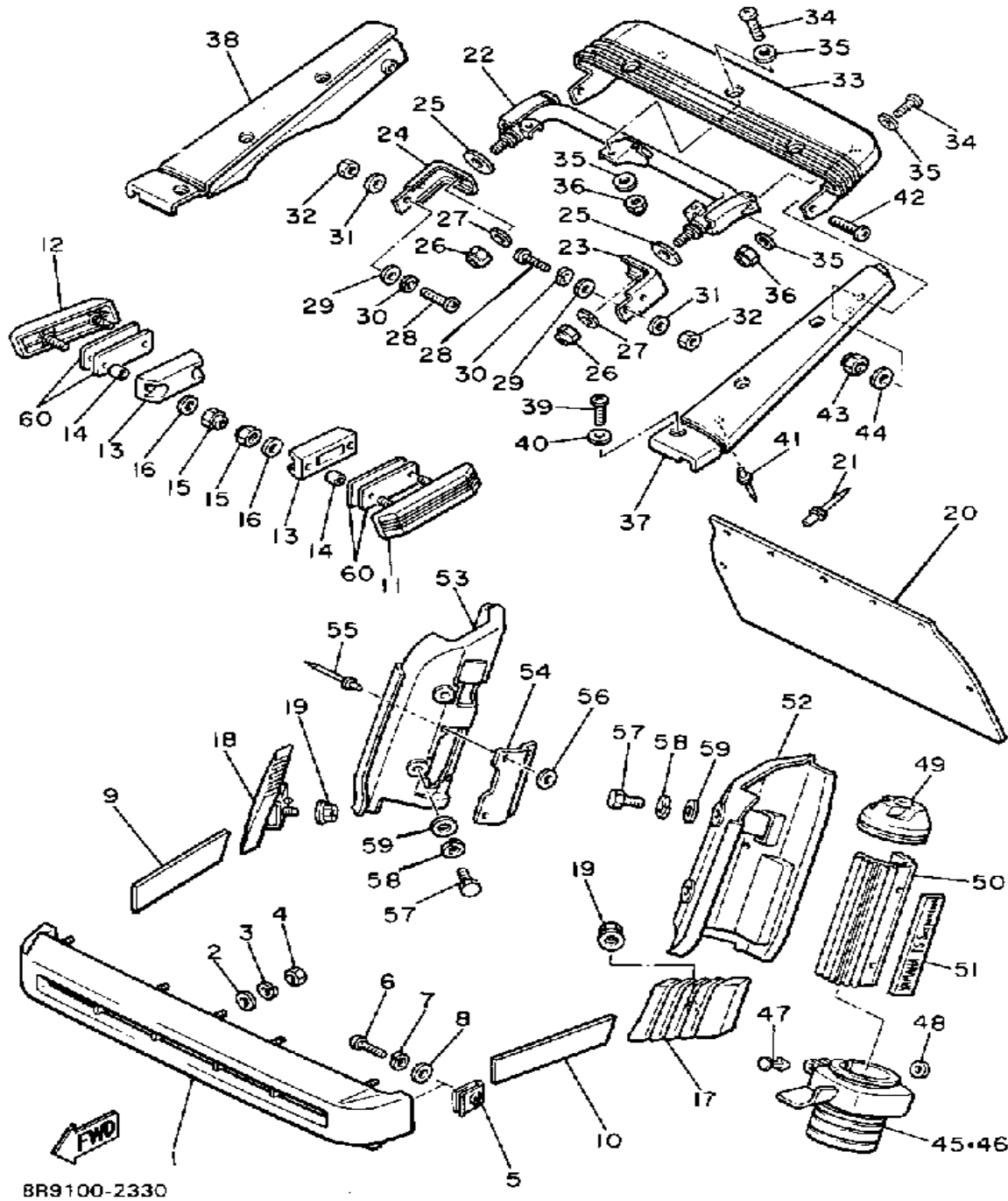


Ref. No.	Part Number	Description	Qty	Remarks
1	8M6-77510-00-00	FRONT BUMPER	1	
2	92990-05200-00	WASHER, PLAIN	9	
3	92990-05100-00	WASHER, SPRING	9	
4	95380-05600-00	NUT	9	
5	90183-05013-00	NUT, SPRING	2	
6	98580-05016-00	SCREW, PAN HEAD	2	
7	92990-05100-00	WASHER, SPRING	2	
8	92901-05600-00	WASHER, PLATE	2	
9	8M6-77512-00-00	BUMPER, FRONT 2	1	
10	8M6-77511-00-00	BUMPER, FRONT 1	1	
11	8M6-77513-00-00	BUMPER, FRONT 3	1	
12	8M6-77514-00-00	BUMPER, FRONT 4	1	
13	8M6-77529-00-00	SPACER, BUMPER	2	
14	90387-06241-00	COLLAR	4	
15	95701-06300-00	NUT, NYLON	4	
16	92990-06200-00	WASHER	4	
17	8M6-77523-00-00	END, BUMPER	1	
18	8M6-77524-00-00	END, BUMPER	1	
19	95701-06500-00	NUT, FLANGE	2	
20	8V9-77595-00-00	FLAP	1	
21	90267-48086-00	RIVET, BLIND	5	
22	8M6-77541-00-00	BUMPER, REAR 1	1	
23	8M6-77525-01-00	WASHER 1	1	
24	8M6-77526-01-00	WASHER 2	1	
25	90201-12195-00	WASHER, PLATE	2	
26	95701-10300-00	NUT, FLANGE (95702-10300)	2	
27	92990-10200-00	WASHER, PLAIN	2	
28	98902-06020-00	SCREW, BIND	4	
29	92990-06200-00	WASHER	4	

CONTINUED ON NEXT FRAME ►

Property of www.SmallEngineDiscount.com - Not for Resale

BUMPER

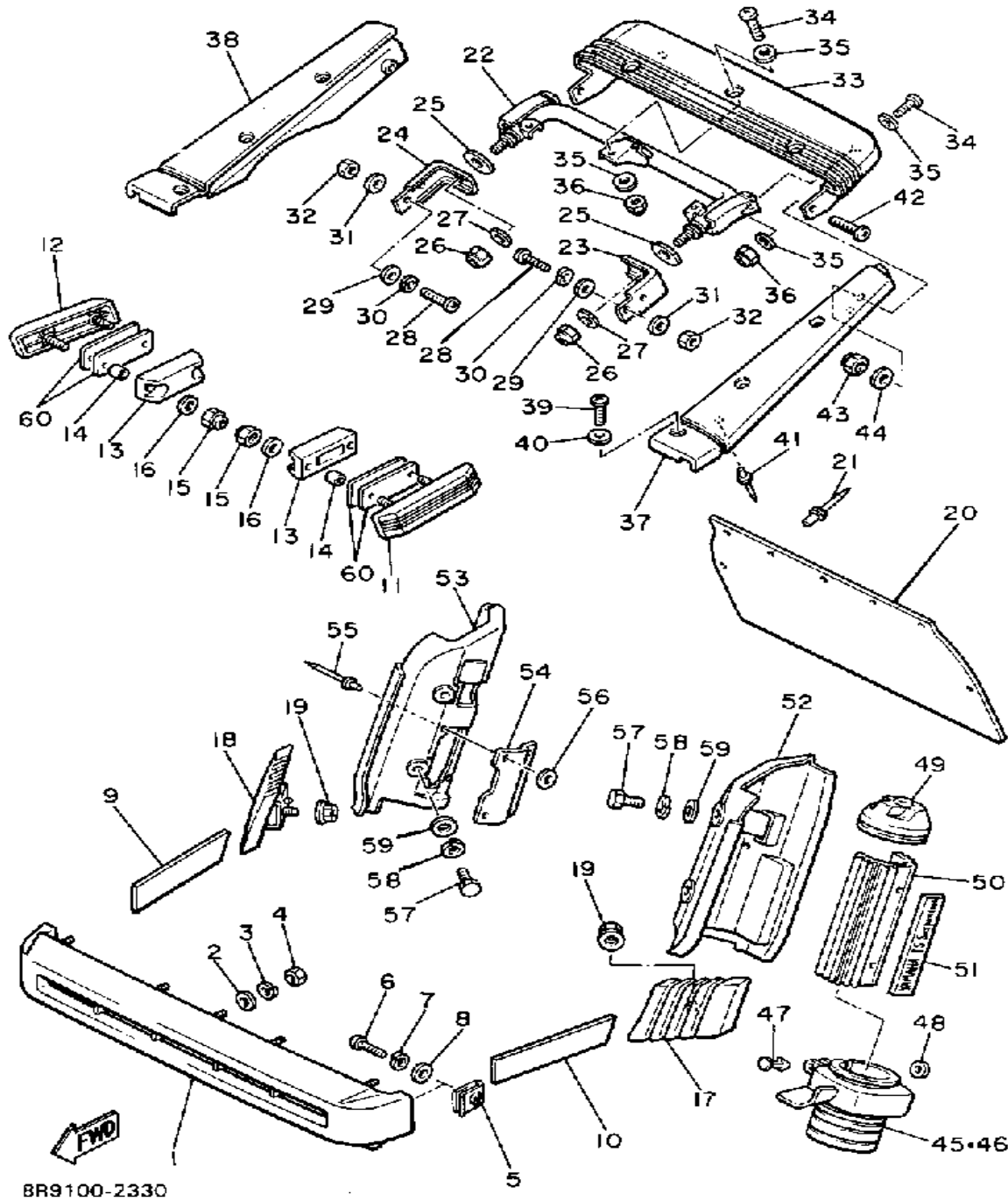


Ref. No.	Part Number	Description	Qty	Remarks
30	92995-06100-00	WASHER, SPRING	4	
31	92990-06600-00	WASHER, PLATE	4	
32	95380-06600-00	NUT	4	
33	8M6-77542-00-00	BUMPER, REAR 2	1	
34	98906-05016-00	SCREW, BIND	5	
35	90201-05721-00	WASHER, PLATE	10	
36	95701-05300-00	NUT, NYLON	5	
37	8M6-77543-00-00	BUMPER, REAR 3	1	
38	8M6-77544-00-00	BUMPER, REAR 4	1	
39	98906-05012-00	SCREW, BIND	6	
40	90201-05721-00	WASHER, PLATE	6	
41	90267-48086-00	RIVET, BLIND	4	
42	98906-06025-00	SCREW, BIND	2	
43	95701-06300-00	NUT, NYLON	2	
44	92990-06200-00	WASHER	2	
45	8M6-77551-01-00	PROTECTOR 1 (8M6-77551-00)	1	
46	8M6-77552-00-00	PROTECTOR 2	1	
47	90269-04025-00	RIVET	2	
48	90201-044H9-00	WASHER, PLAIN	2	
49	8M6-77553-00-00	PROTECTOR 3	2	
50	8M6-77554-00-00	PROTECTOR 4	2	
51	8M6-77369-00-00	EMBLEM 4	2	
52	8R9-77556-00-00	PROTECTOR 6	1	
53	8M6-77557-00-00	PROTECTOR 7	1	
54	8M6-77535-00-00	STAY 1	1	
55	90267-40029-00	RIVET, BLIND	4	
56	90201-047A2-00	WASHER, PLATE	4	
57	97013-06012-00	BOLT	6	
58	92995-06100-00	WASHER, SPRING	6	

CONTINUED ON NEXT FRAME ►

Property of www.SmallEngineDiscount.com - Not for Resale

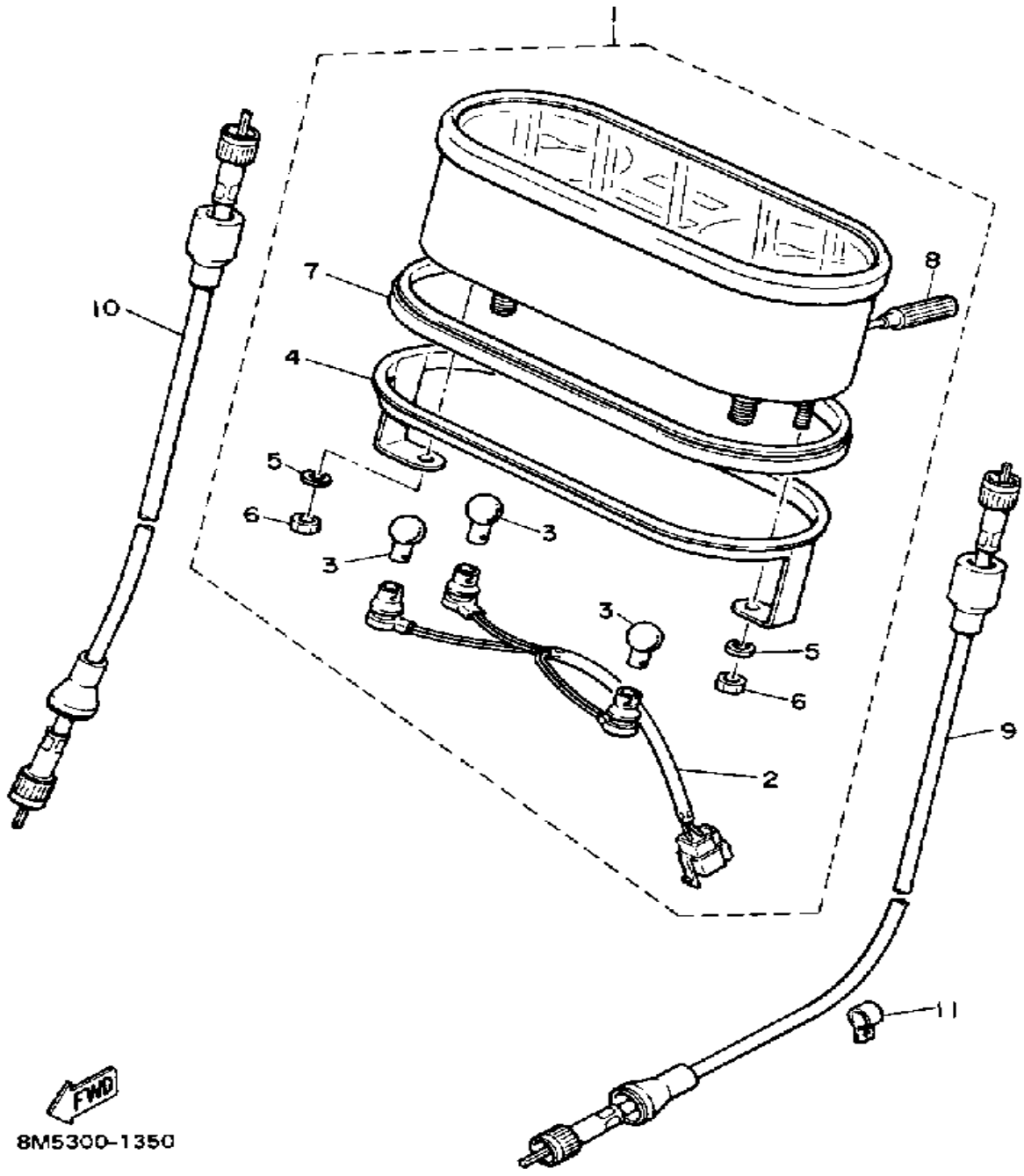
BUMPER



Ref. No.	Part Number	Description	Qty	Remarks
59	92990-06200-00	WASHER	6	
60	8M6-21967-00-00	PATCH 7	2	

Property of www.SmallEngineDiscount.com - Not for Resale

METER

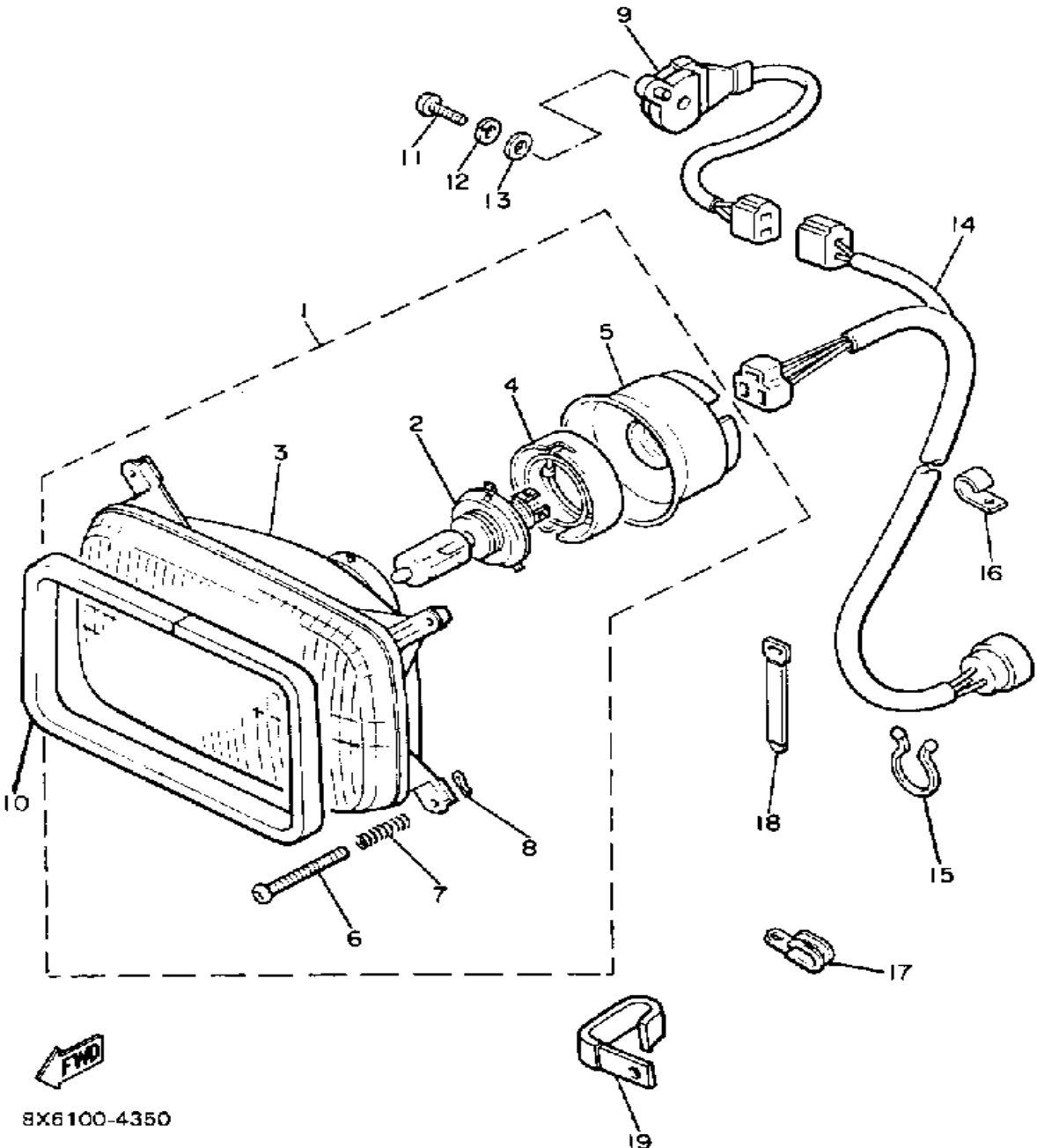


Ref. No.	Part Number	Description	Qty	Remarks
1	81K-83500-40-00	SPEEDOMETER ASSEMBLY ..	1	MPH
2	8U9-83536-00-00	. SOCKET, METER	1	
3	123-83516-21-00	. BULB (12V-3.4W)	3	
4	8K4-83519-01-00	. BRACKET, METER	1	
5	92990-05100-00	. WASHER, SPRING	2	
6	95380-05600-00	. NUT	2	
7	8K4-83513-00-00	. DAMPER	1	
8	8L8-83578-00-00	. KNOB, TRIP METER	1	
9	8K4-83550-00-00	SPEEDOMETER CABLE ASSEMBLY	1	
10	839-83550-01-00	SPEEDOMETER CABLE	1	
11	90461-06M01-00	CLAMP	1	

FWD
8M5300-1350

Property of www.SmallEngineDiscount.com - Not for Resale

HEADLIGHT

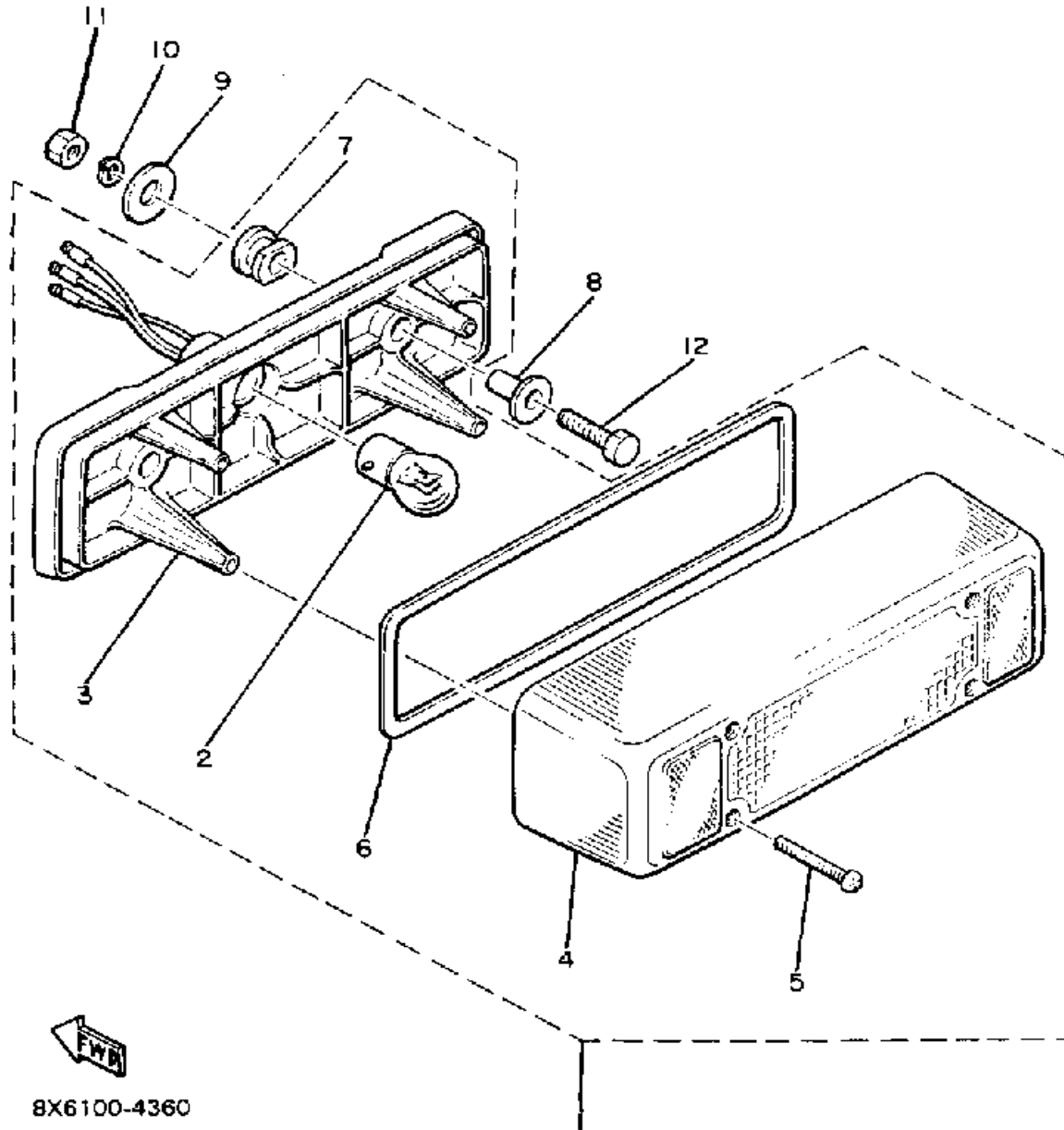


Ref. No.	Part Number	Description	Qty	Remarks
1	8M6-84310-00-00	HEADLIGHT UNIT ASSEMBLY	1	
2	5V2-84314-00-XX	. BULB, HL 12V60/55W (2F9-84314-00)	1	LM
3	8A7-84320-00-00	. LENS ASSEMBLY	1	
4	8A7-84312-00-00	. HOLDER, SOCKET	1	
5	8A7-84397-01-00	. COVER, SOCKET	1	
6	8M6-84331-00-00	. SCREW, RIM ADJUSTING (8A5-84331-00-00)	4	
7	8A5-84332-00-00	. SPRING, SCREW	4	
8	8K4-84374-00-00	. CLIP	2	
9	8T7-84366-00-00	DAMPER, HEADLIGHT 1	1	
10	8M6-82520-01-00	LIGHT SWITCH ASSEMBLY (8M6-82520-00)	1	
11	98503-05025-00	SCREW, PAN HEAD (98501-05025)	1	
12	92990-05100-00	WASHER, SPRING	1	
13	92901-05600-00	WASHER, PLATE	1	
14	8X6-84359-00-00	CORD, HEADLIGHT	1	
15	90464-16039-00	CLAMP	1	
16	90465-06013-00	CLAMP	1	
17	(90465-06020-00)	CLAMP	1	
18	25G-83936-01-00	BAND, SWITCH CORD	1	
19	90465-08028-00	CLAMP	1	

FWD
8X6100-4350

Property of www.SmallEngineDiscount.com - Not for Resale

TAILLIGHT

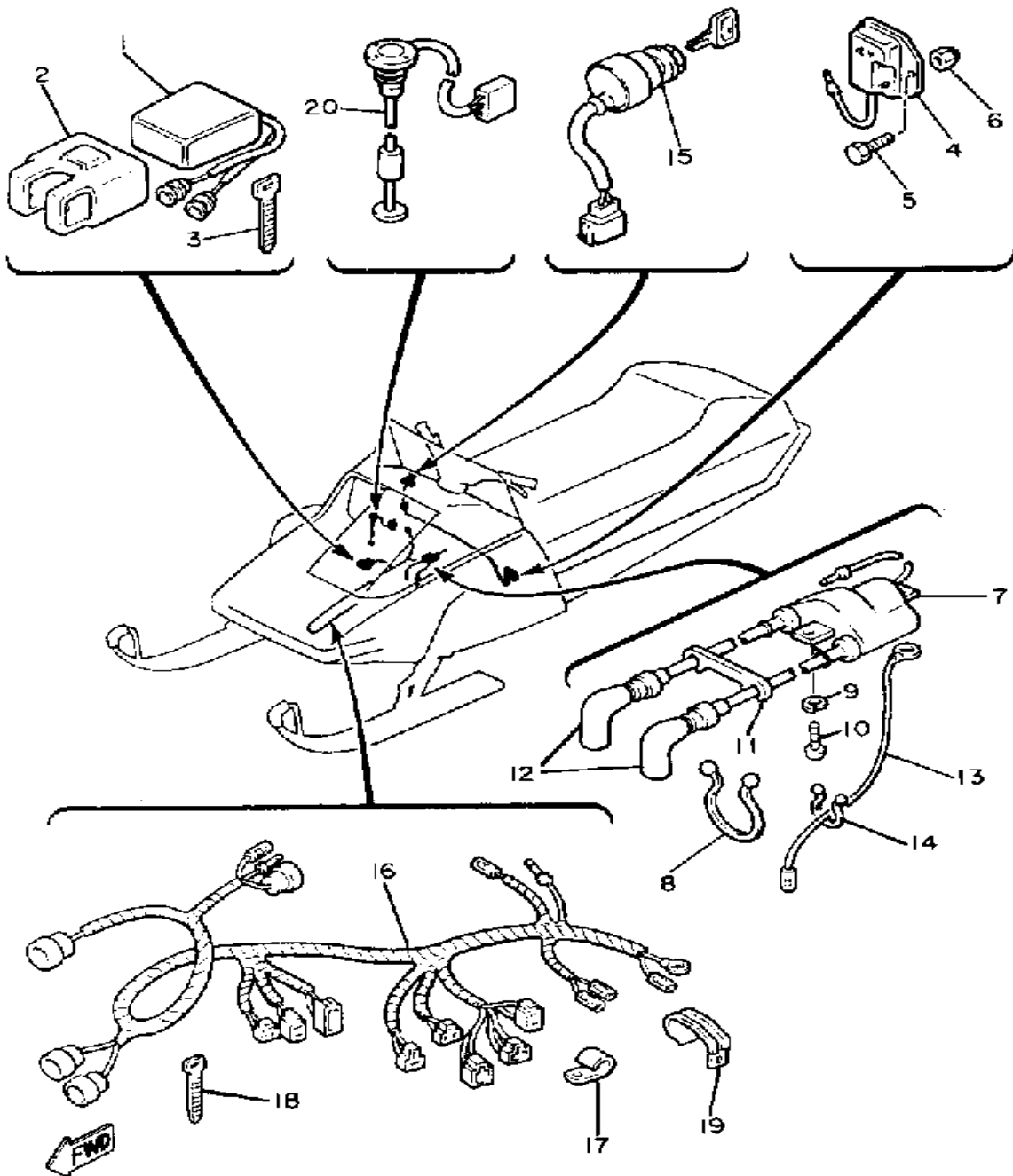


Ref. No.	Part Number	Description	Qty	Remarks
1	8K4-84710-00-00	TAILLIGHT UNIT ASSEMBLY ..	1	
2	137-84714-61-00	. BULB, TL 12V23/8W (J50-83311-00)	1	
3	8K4-84711-00-00	. BASE, TAILLIGHT	1	
4	8K4-84721-00-00	. LENS, TAILLIGHT	1	
5	97780-40130-00	. SCREW, PANHEAD TAPPING (97701-40130-00)	4	
6	87M-84723-00-00	. GASKET, TAIL LENS	1	
7	8K4-84718-00-00	. GROMMET	2	
8	90387-060G8-00	COLLAR	2	
9	90201-06407-00	WASHER, PLATE (90201-06747-00)	4	
10	92995-06100-00	WASHER, SPRING	2	
11	95380-06600-00	NUT	2	
12	97013-06035-00	BOLT	2	

 8X6100-4360

Property of www.SmallEngineDiscount.com - Not for Resale

ELECTRICAL 1

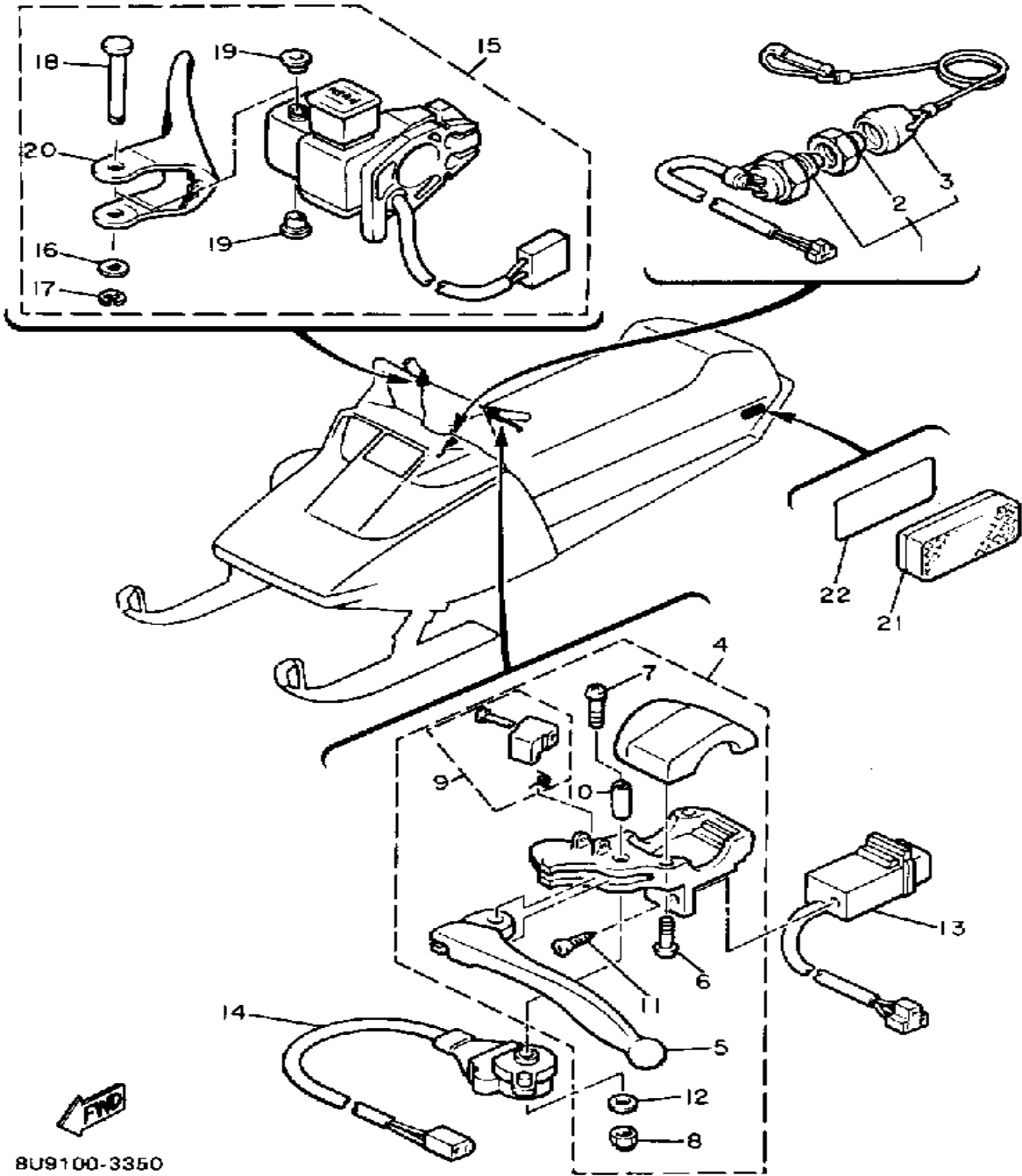


8X6100-4370

Ref. No.	Part Number	Description	Qty	Remarks
1	8U9-85540-10-00	CDI UNIT ASSEMBLY	1	
2	8R9-85546-00-00	BAND	1	
3	437-83936-01-00	BAND, SWITCH CORD	1	
4	82F-81910-A0-00	VOLTAGE REGULATOR ASSEMBLY	1	
5	97301-06014-00	BOLT, HEXAGON	2	
6	95701-06300-00	NUT, NYLON	2	
7	8U9-82310-T0-00	IGNITION COIL ASSEMBLY	2	
8	90464-23041-00	CLAMP	1	
9	98503-06014-00	SCREW, PAN HEAD (92502-06016)	2	
10	92995-06100-00	WASHER, SPRING	2	
11	90464-07015-00	CLAMP	1	
12	81E-82370-20-00	PLUG CAP ASSEMBLY	2	W/NOISE SUPPRESSOR
13	(8R9-82318-00-00)	WIRE, SUB-LEAD	1	
14	90465-18147-00	CLAMP	1	
15	8K4-82508-20-00	MAIN SWITCH ASSEMBLY	1	
16	8X6-82590-20-00	WIRE HARNESS ASSEMBLY	1	
17	8R9-21999-00-00	CLAMP, WIREHARNESS	1	
18	437-83936-01-00	BAND, SWITCH CORD	1	
19	90465-06100-00	CLAMP	1	
20	8M6-85720-00-00	OIL LVL GAUGE ASSEMBLY	1	

Property of www.SmallEngineDiscount.com - Not for Resale

ELECTRICAL 2

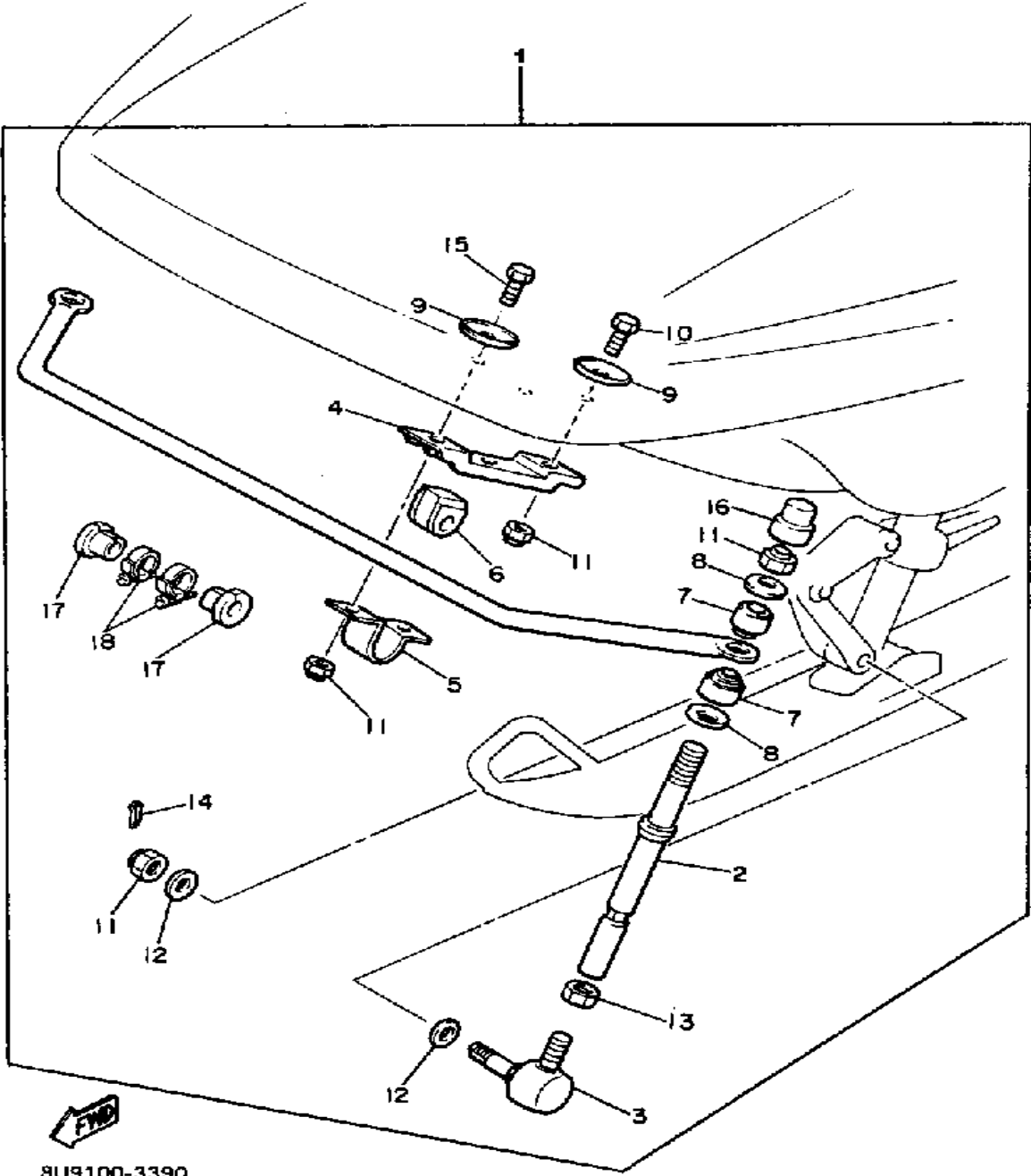


Ref. No.	Part Number	Description	Qty	Remarks
1	8H8-82550-01-00	ENGINE STOP SWITCH ASSEMBLY	1	
2	8H8-82557-00-00	. NUT	1	
3	8H8-82552-09-00	. CAP, SWITCH	1	
4	88R-W8291-00-00	LEVER HOLDER ASSEMBLY (LEFT)	1	
5	8H8-83912-00-00	. LEVER 1	1	
6	90157-05027-00	. SCREW, PAN HEAD	2	
7	98501-05040-00	. SCREW, PAN HEAD (98502-05040)	1	
8	95701-05300-00	. NUT, NYLON	1	
9	82A-83930-00-00	. LEVER LOCK ASSEMBLY	1	
10	802-83913-00-00	. COLLAR, LEVER 1	1	
11	97780-30312-00	. SCREW, tapping	2	
12	92990-05200-00	. WASHER, PLAIN	1	
13	8H8-83950-01-00	BEAM SWITCH ASSEMBLY (8K4-83950-01-00)	1	
14	88R-82530-00-00	STOP SWITCH ASSEMBLY	1	
15	8X6-82720-00-00	LEVER HOLDER ASSEMBLY 2 (RIGHT)	1	
16	92906-05200-00	. WASHER, PLAIN	1	
17	93430-04002-00	. CIRCLIP	1	
18	85G-83956-00-00	. CAP 1	1	
19	85G-83956-00-00	. CAP 1	2	
20	80N-42138-02-00	. LEVER, THROTTLE (80N-42138-00-00)	1	
21	81G-85130-00-00	REAR REFLECTOR ASSEMBLY	2	
22	878-85133-00-00	TAPE, REFLECTOR	2	

8U9100-3350

Property of www.SmallEngineDiscount.com - Not for Resale

STABLIZER KIT (OPTIONAL)



8U9100-3390

Ref. No.	Part Number	Description	Qty	Remarks
1	8U9-W0051-00-00	STABILIZER KIT-VMX	1	
2	8L9-2386F-10-00	. LINK, STABLZR FRONT	2	
3	8L9-23841-10-00	. JOINT, UNIVERSAL 1	2	
4	8M6-23896-10-00	. BRACKET 5	2	
5	8M6-2386H-10-00	. COVER, STABLZR FRT	2	
6	8L9-2386G-10-00	. BUSH, STABLZR FRONT	2	
7	8L9-2386J-10-00	. CUSHION	4	
8	8L9-2386K-10-00	. RETAINER	4	
9	8L9-23779-10-00	. WASHER	4	
10	(97306-10020-00)	BOLT, HEXAGON	2	
11	95706-10300-00	. NUT, NYLON	10	
12	90201-115A7-00	. WASHER, PLATE	4	
13	95306-10700-00	. NUT	2	
14	91490-20020-00	. PIN, COTTER	2	
15	97026-10030-00	. BOLT, HEXAGON	2	
16	8L9-23742-10-00	. CAP 2	2	
17	8U7-2386N-10-00	. BUSH, STABILIZER	2	
18	90460-16192-00	. CLAMP, HOSE	2	

Property of www.SmallEngineDiscount.com - Not for Resale

VMX540H 1984 SERVICE/HIGH ALTITUDE TUNING DATA

MODEL - IBM I.D. NUMBER	VMX540H	8X6
Starting Engine Number / Frame Number	8X6-000101 / 8X6-000101	

ENGINE - Type / Induction System		2-Stroke, Liquid-cooled, Piston Port
Bore / Stroke / Number Cylinders / Displacement	73.0mm / 64.0mm / 2 / 535cc	
Compression Ratio	6.7:1	
Piston Skirt Clearance New / Max	0.065 ~ 0.070mm / 0.10mm	
Ring End Gap Top / 2nd	0.35 ~ 0.55mm / 0.35 ~ 0.55mm	
Ring Groove Clearance Top / 2nd	0.03 ~ 0.05mm / 0.03 ~ 0.05mm	
Coolant Type / Mixing Ratio	Ethylene Glycol-Water / 1:1	

CARBURATOR - Mfr. Type / Size / Qty. / I.D. Number		Mikuni - VM38 / 38mm / 2 / L: 8X6-00L R: 8X6-00R
Main Jet / Main Air Jet	290 / 2.5	
Slow Jet / Slow Air Jet / Air Screw	φ / φ / φ	
Pilot Jet / Pilot Screw	40 / 1/2 Turn Out	
Needle Jet/Needle-Clip Position/Cutaway/Air Jet	Q-0 / 6DH1-3 / 3.0 / φ	
Power Jet / Power Air Jet	L: 135 R: 130 / L: 1.5 R: 1.8	
Fuel Inlet Valve / Float Level	1.5 / 18.1mm	
Idle Speed	1500 rpm	

AUTOLUBE - Pump Color / Control Rod Adjustment		Red / Adjustment Mark @ Full Throttle
Pump Plunger Stroke Min / Max	0.50 ~ 0.55mm / 2.15 ~ 2.27mm	
Output @ 200 Strokes Full Throttle / Idle	5.40 ~ 5.71cc / 1.26 ~ 1.38cc	

DRIVE - Engagement rpm / Shift rpm		4000 ± 200 rpm / 8200 ± 200 rpm
Belt Length / Width / Wear Limit / IBM Number	1175mm / 31.6mm / 26mm / 8M6	
Sheave Center-to-center / Offset	305 ± 1.0mm / 11 ± 0.5mm	
Primary Spring Color / Length / Rate / Preload	Pink / 75.5mm / 2.31kg/mm / 32.8kg	
Secondary Spring Preload / Color	40° (C-2) / Pink	
Secondary Drive Ratio / Chain Free Play	18-33 / 10 ± 1mm	
Track Width / Tension	15in / 25 ~ 30mm @ 10kg	

CAPACITIES - Chain Case/Gear Case Cap. (Type)		250cc / 25cc (SAE 80W90 API GL-4)
Fuel Tank Capacity / Type	22.5 Lit / Regular	
Autolube Tank Capacity / Type	2.5 Lit / Yamalube 2	

ELECTRICAL - Mfr. / Type		Hitachi / CDI
Battery Model / Specific Gravity / Charge Rate	φ	
Charging Coil Color Code / Resistance	φ	
Headlight / Taillight / Meter Light Ratings	12V60-55W / 12V23-8W / 12V3.4W	
Lighting Coil Color Code / Resistance / Output	Yel ~ Blk / 0.25Ω ± 10% / NA	
Handlebar Heater Coil Color Code / Resistance	Yel-Blk ~ Blk / 0.77Ω ± 10%	
Ignition Coil Resistance Primary / Secondary	0.12Ω ± 10% / 4.0KΩ ± 20%	
Source Coil Color Code / Resistance	Brn ~ Red / 245Ω ± 10% Wht-Red ~ Red / 10Ω ± 10%	
Pulser Coil Color Code / Resistance	Wht-Grn ~ Blk / 100Ω ± 10%	
Spark Plug Type / Gap / Torque	NGK BR9EV / 0.7 ~ 0.8mm / 2.7m-kg	
Ignition Timing	1.6mm BTDC	

SERVICE COPY	SER MGR	MECH	MECH	MECH	BINDER
OFFICE COPY	GEN MGR	SALES	PARTS	BINDER	PAGE 1 OF 2

VMX540H HIGH ALTITUDE SPECIFICATIONS

	STANDARD SETTING	HIGH ALTITUDE
Idle	1500rpm	Standard
Clutch Engagement	4000 ± 200rpm	4200 ± 200rpm
Shift Speed	8200 ± 200rpm	Standard
Main Jet	#290	See Setting Chart
Slow / Pilot Jet	#40	Above 6000ft: #45
Pilot Screw	1/2 Turn Out	Above 6000ft: 1.0 Turn
Jet Needle Clip Position	#3	#3 or as needed for response
Gear Reduction	18-33	See Sprocket Chart
Primary Spring	Pink	Org-Sil (8U9-17643-10-00)
Primary Spring Shim	As needed for 4000rpm engage	As needed for 4200rpm engage
Secondary Spring Preload	40° (C-2) for 8200rpm shift	70° (C-3) for 8200rpm shift

MAIN JET SETTING CHART (This chart is accurate; leaner settings will result in damage.)

ELEVATION	TEMP	-30°C	-20°C	-10°C	0°C	10°C	20°C	JET SIZE	PART NUMBER
		-22°F	-4°F	14°F	32°F	50°F	68°F		
Sea Level to 1999ft				← #290 →				MAIN	
		← #300 →				← #280 →		#300	137-14143-60-00
								#290	137-14143-58-00
								#280	137-14143-56-00
2000 to 3999ft				← #270 →				#270	137-14143-54-00
		← #280 →				← #260 →		#260	137-14143-52-00
								#250	137-14143-50-00
4000 to 5999ft				← #250 →				#240	137-14143-48-00
		← #260 →				← #240 →		#230	137-14143-46-00
								#220	137-14143-44-00
6000 to 7999ft				← #230 →				#210	137-14143-42-00
		← #240 →				← #220 →		#200	137-14143-40-00
								#190	137-14143-38-00
8000 to 9999ft				← #210 →				#180	137-14143-36-00
		← #220 →				← #200 →			
10,000 to 11,999ft				← #190 →				PILOT	
		← #200 →				← #180 →		# 45	193-14142-45-00

SPROCKET SELECTION CHART

ELEVATION	DRIVE SPROCKET	DRIVEN SPROCKET	SPROCKET	PART NUMBER
Sea Level ~ 4000ft	Std ~ 17T	Std	17T	829-17682-70-00
3000ft ~ 6000ft	17T ~ 16T	Std	16T	829-17682-60-00
5000ft ~ 8000ft	16T	35T	15T	829-17682-50-00
7000ft ~ Above	15T	35T	35T	8U9-47587-30-00

SERVICE LITERATURE

PUBLICATION	PART NUMBER	REMARKS
Owner's Manual	LIT-12628-00-60	
Service Manual	LIT-12618-00-60	Supp. to VMX540G (00-51)
Assembly Manual	LIT-12668-00-60	Supp. to Basic Assembly Manual (LIT-11666-00-52)

φ = Does Not Apply To This Model

NA = Information Not Available

Property of www.SmallEngineDiscount.com - Not for Resale

VMX540H HIGH ALTITUDE SPECIFICATIONS

	STANDARD SETTING	HIGH ALTITUDE
Idle	1500rpm	Standard
Clutch Engagement	4000 ± 200rpm	4200 ± 200rpm
Shift Speed	8200 ± 200rpm	Standard
Main Jet	#290	See Setting Chart
Slow / Pilot Jet	#40	Above 6000ft: #45
Pilot Screw	1/2 Turn Out	Above 6000ft: 1.0 Turn
Jet Needle Clip Position	#3	#3 or as needed for response
Gear Reduction	18-33	See Sprocket Chart
Primary Spring	Pink	Org-SII (8U9-17643-10-00)
Primary Spring Shim	As needed for 4000rpm engage	As needed for 4200rpm engage
Secondary Spring Preload	40° (C-2) for 8200rpm shift	70° (C-3) for 8200rpm shift

MAIN JET SETTING CHART (This chart is accurate; leaner settings will result in damage.)

ELEVATION	TEMP	-30°C	-20°C	-10°C	0°C	10°C	20°C	JET SIZE	PART NUMBER
		-22°F	-4°F	14°F	32°F	50°F	68°F		
Sea Level to 1999ft				#290			#280	MAIN	
2000 to 3999ft				#270			#260	#300	137-14143-60-00
4000 to 5999ft				#250			#240	#290	137-14143-58-00
6000 to 7999ft				#230			#220	#280	137-14143-56-00
8000 to 9999ft				#210			#200	#270	137-14143-54-00
10,000 to 11,999ft				#190			#180	#260	137-14143-52-00
								#250	137-14143-50-00
								#240	137-14143-48-00
								#230	137-14143-46-00
								#220	137-14143-44-00
								#210	137-14143-42-00
								#200	137-14143-40-00
								#190	137-14143-38-00
								#180	137-14143-36-00
								PILOT	
								# 45	193-14142-45-00

SPROCKET SELECTION CHART

ELEVATION	DRIVE SPROCKET	DRIVEN SPROCKET	SPROCKET	PART NUMBER
Sea Level ~ 4000ft	Std ~ 17T	Std	17T	829-17682-70-00
3000ft ~ 6000ft	17T ~ 16T	Std	16T	829-17682-60-00
5000ft ~ 8000ft	16T	35T	15T	829-17682-50-00
7000ft ~ Above	15T	35T	35T	8U9-47587-30-00

SERVICE LITERATURE

PUBLICATION	PART NUMBER	REMARKS
Owner's Manual	LIT-12628-00-60	
Service Manual	LIT-12618-00-60	Supp. to VMX540G (00-51)
Assembly Manual	LIT-12668-00-60	Supp. to Basic Assembly Manual (LIT-11666-00-52)

∅ = Does Not Apply To This Model

NA = Information Not Available