



YAMAHA

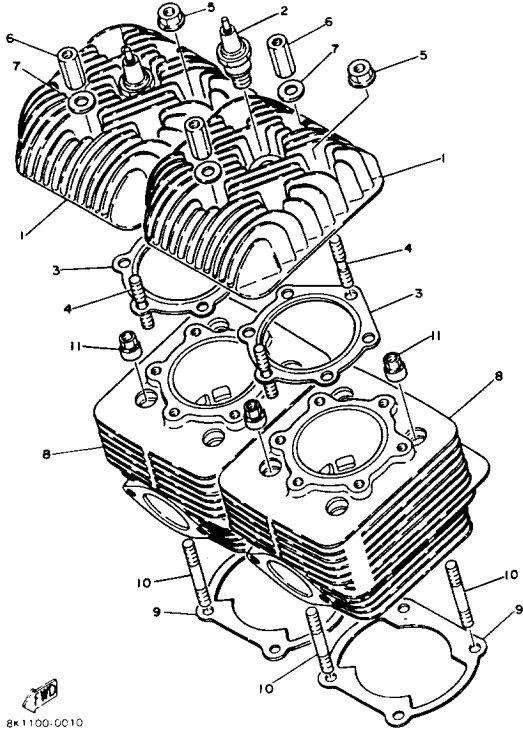
GENUINE

PARTS CATALOGUE

SNOWMOBILE

Property of www.SmallEngineDiscount.com - Not for Resale

CYLINDER

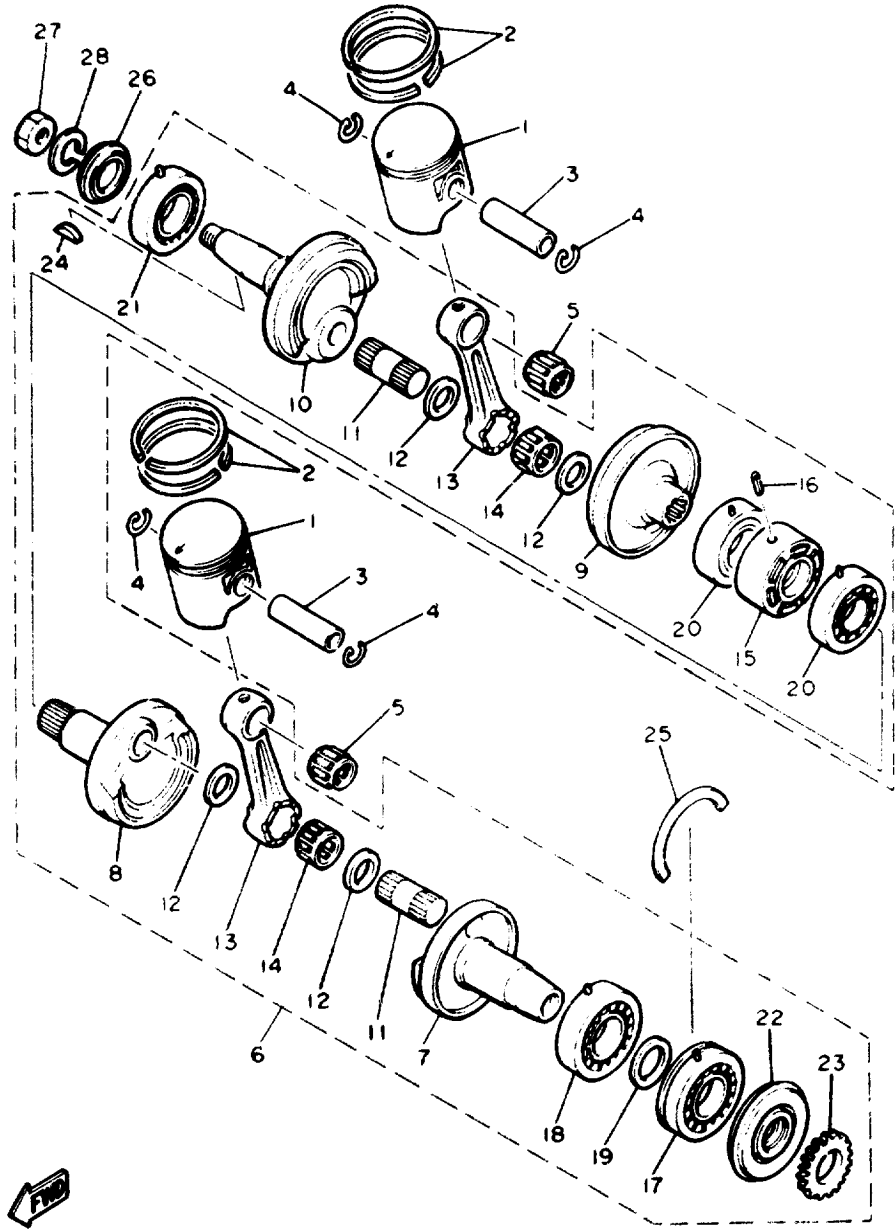


8K1100-0010

Ref. No.	Part Number	Description	Qty	Remarks
1	8H8-11111-00-00	HEAD, CYLINDER 1	2	
2	NGK-BR9ES-00-00	PLUG, SPARK	2	
3	8H8-11181-01-00	GASKET, CYLINDER HEAD 1 (8H8-11181-00)	2	
4	90116-08104-00	BOLT, STUD	12	
5	95701-08500-00	NUT, FLANGE	8	
6	90179-08269-00	NUT	4	
7	90201-08100-00	WASHER, PLATE	4	
8	8H8-11311-00-00	CYLINDER 1	2	
9	89N-11351-00-00	GASKET, CYLINDER	2	
10	90116-08302-00	BOLT, STUD	8	
11	90179-08268-00	NUT	8	

Property of www.SmallEngineDiscount.com - Not for Resale

CRANKSHAFT - PISTON

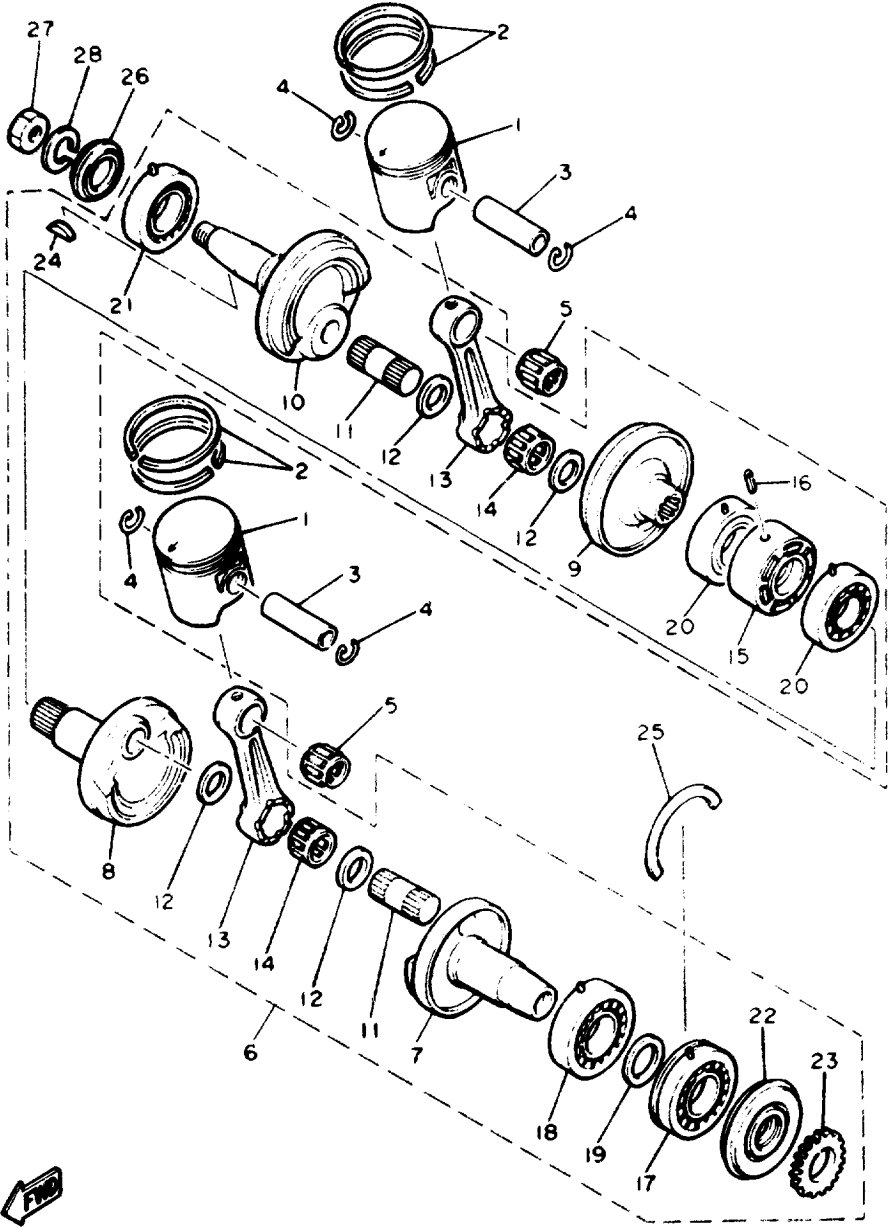


Ref. No.	Part Number	Description	Qty	Remarks
1	8R6-11631-00-95	PISTON (STD)	2	U.R.
	8R6-11635-00-00	PISTON (0.25MM O/S)	2	Alt. Part
	8R6-11636-00-00	PISTON (0.50MM O/S)	2	Alt. Part
2	8R6-11601-00-00	PISTON RING SET (STD)	2	U.R. Std
	8R6-11601-10-00	PISTON RING SET (0.25MM O/S)	2	Alt. Part
	8R6-11601-20-00	PISTON RING SET (0.50MM O/S)	2	Alt. Part
3	8H8-11633-00-00	PIN, PISTON	2	
4	93450-21053-00	CIRCLIP	4	
5	93310-320G0-00	BEARING	2	
6	8L0-11400-03-00	CRANKSHAFT ASSEMBLY	1	
7	8L0-11412-02-00	. CRANK 1	1	
8	8H8-11422-01-00	. CRANK 2	1	
9	8H8-11432-01-00	. CRANK 3	1	
10	8H8-11442-00-00	. CRANK 4	1	
11	8H8-11681-00-00	. PIN, CRANK 1	2	
12	90209-24073-00	. WASHER	4	
13	8R6-11651-00-00	. ROD, CONNECTING	2	
14	93310-524K4-00	. BEARING	2	
15	8H8-11515-00-00	. SEAL, LABYRINTH 1	1	
16	91609-30010-00	. PIN, SPRING	1	
17	93306-30612-00	. BEARING (B6306)	1	
18	93306-30625-00	. BEARING	1	
19	90201-34683-00	. WASHER, PLATE (90201-33299-00)	1	
20	93306-20620-00	. BEARING (B6206)	2	
21	93306-20620-00	. BEARING (B6206)	1	
22	93103-32095-00	. OIL SEAL	1	
23	8K2-13178-00-00	. GEAR, PUMP DRIVE	1	

CONTINUED ON NEXT FRAME ➤

Property of www.SmallEngineDiscount.com - Not for Resale

CRANKSHAFT - PISTON

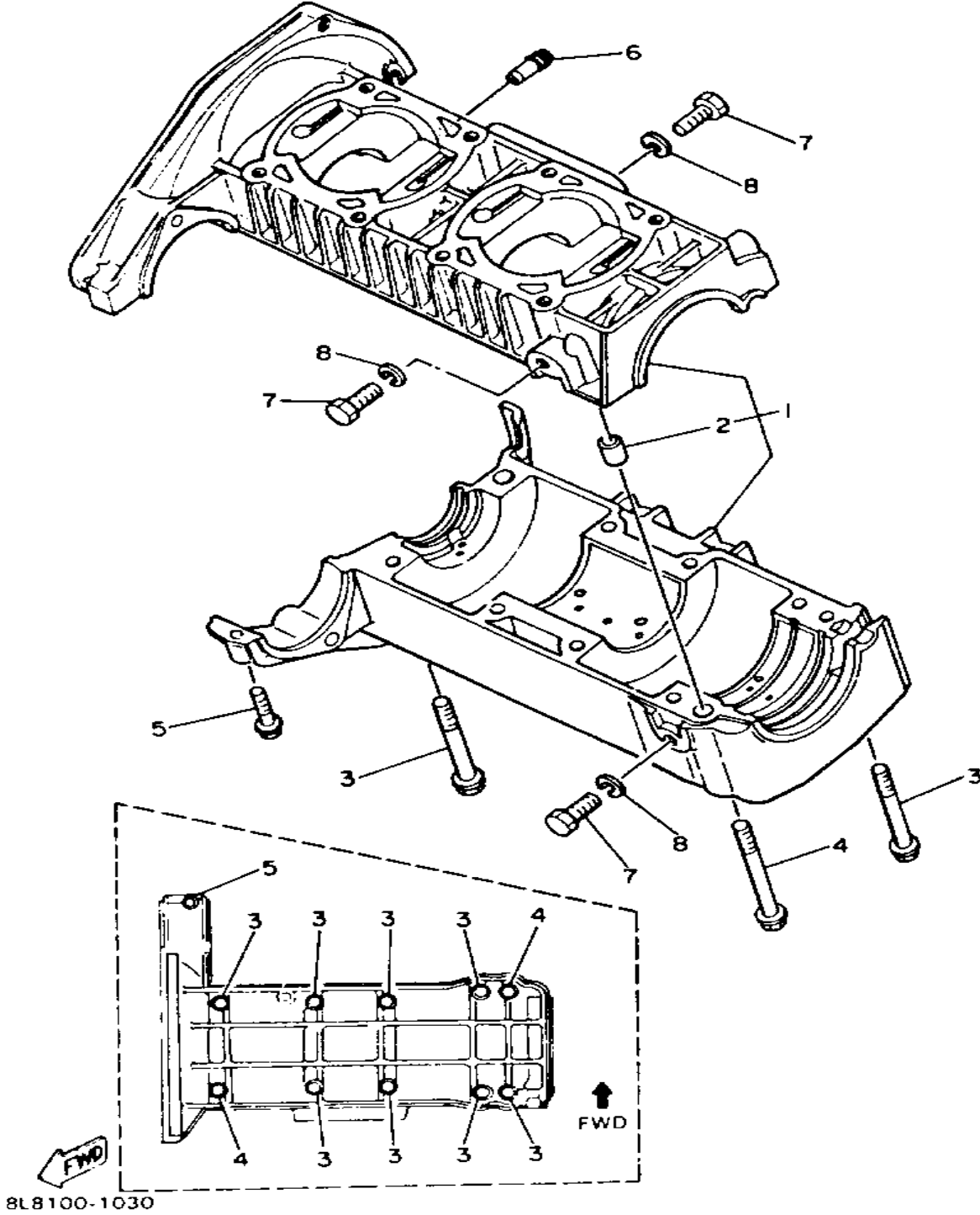


Ref. No.	Part Number	Description	Qty	Remarks
24	90280-05014-00	. KEY, WOODRUFF	1	
25	93440-78069-00	CIRCLIP	1	
26	93103-32156-00	OIL SEAL	1	
27	90170-16182-00	NUT	1	
28	92901-16100-00	WASHER, SPRING	1	

Property of www.SmallEngineDiscount.com - Not for Resale

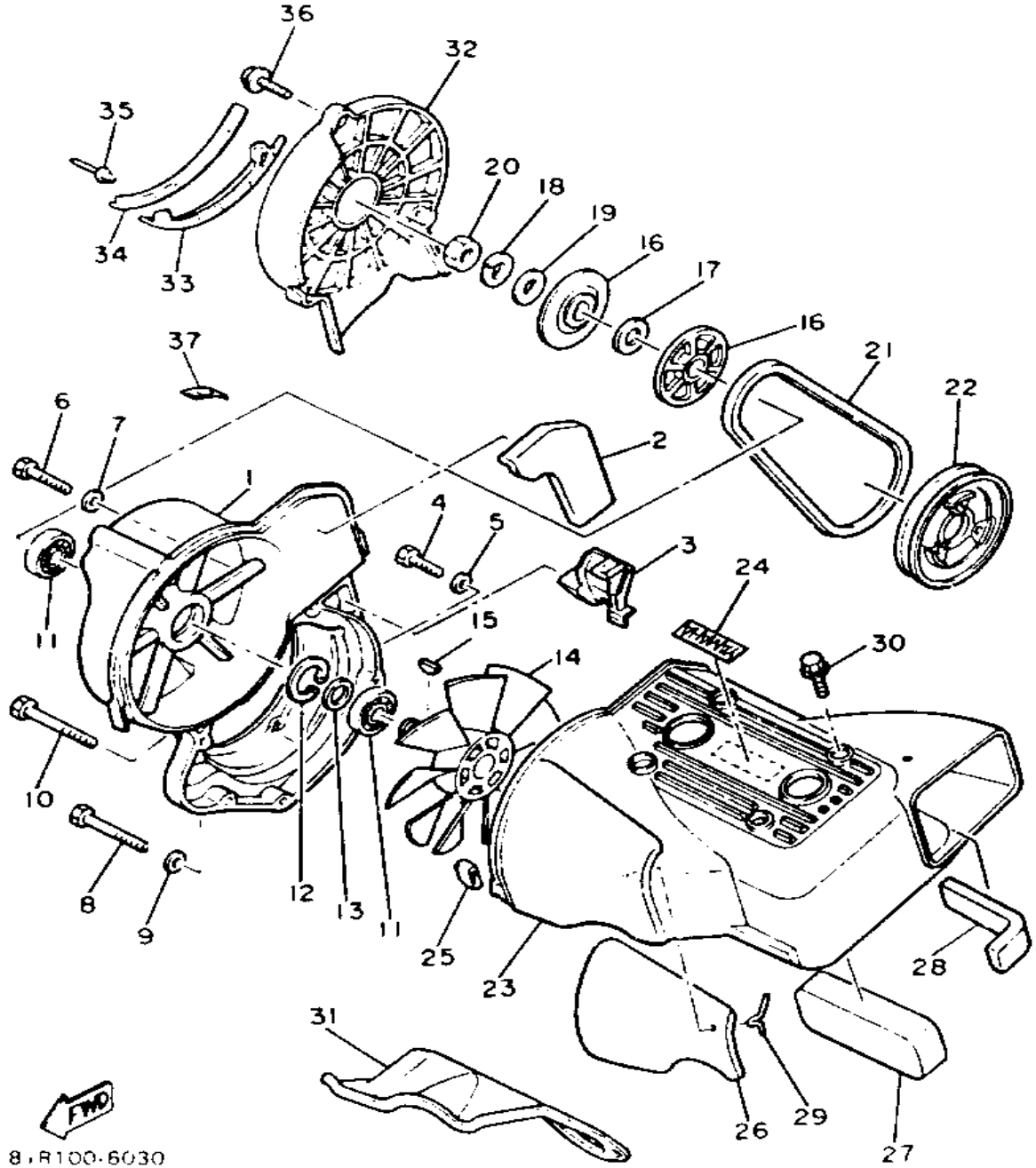
CRANKCASE

Ref. No.	Part Number	Description	Qty	Remarks
1	8H8-15100-02-00	CRANKCASE ASSEMBLY	1	
2	99510-12016-00	. PIN, DOWEL	2	
3	95811-08075-00	BOLT, FLANGE	8	
4	95822-08085-00	BOLT, FLANGE	2	
5	95811-06030-00	BOLT, FLANGE	1	
6	J38-11116-00-00	JOINT, BREATHER	1	
7	97313-08020-00	BOLT, HEXAGON	6	
8	92990-08100-00	WASHER	6	



Property of www.SmallEngineDiscount.com - Not for Resale

AIR SHROUD - FAN



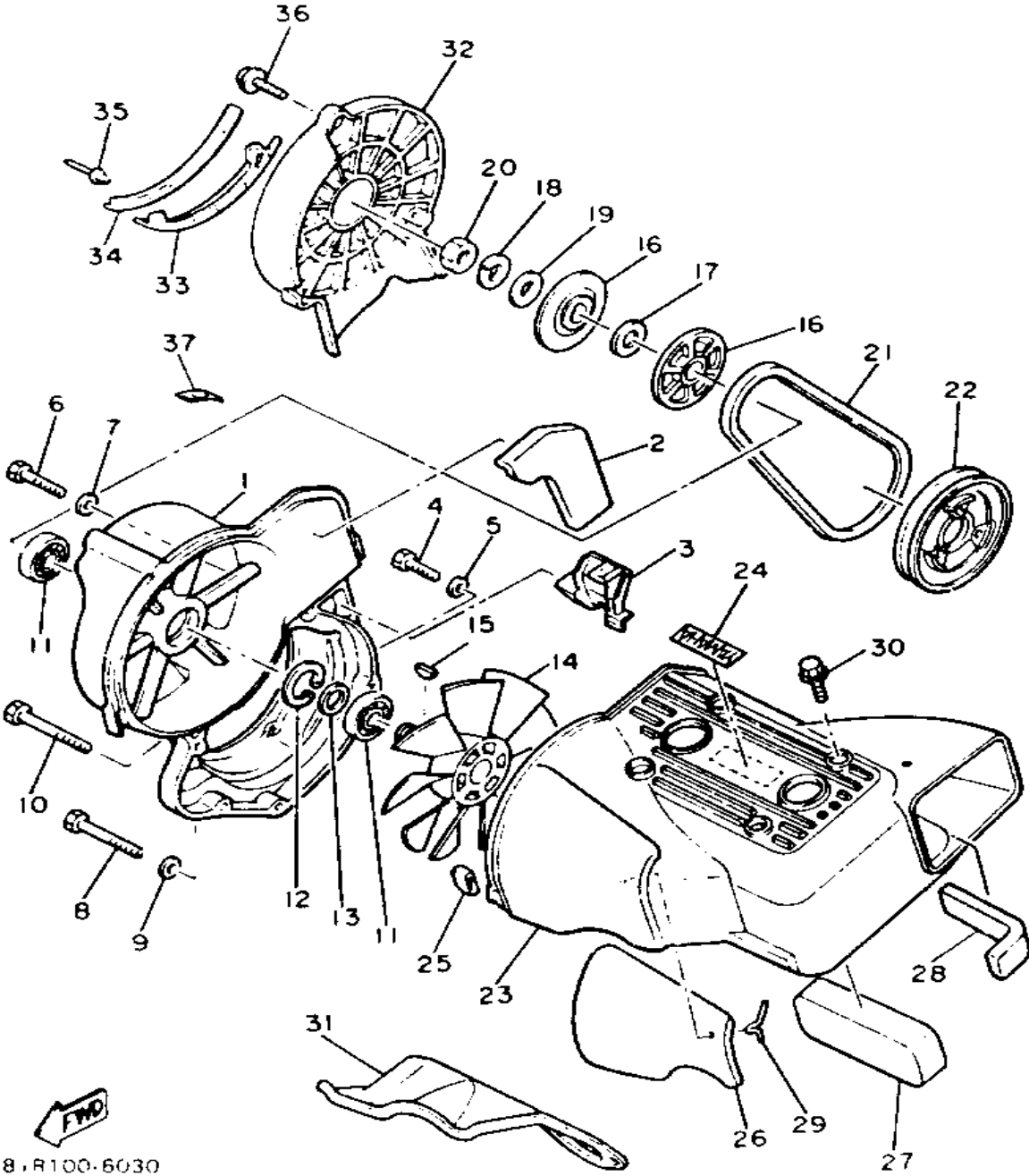
81R100-6030

Ref. No.	Part Number	Description	Qty	Remarks
1	8H8-12621-02-00	CASE, fan (8H8-12621-01)	1	
2	8Y0-12679-00-00	DAMPER, SHROUD 6	1	
3	8Y0-12658-00-00	DAMPER, AIR SHROUD 1	1	
4	97313-08035-00	BOLT, HEXAGON	2	
5	92990-08600-00	WASHER, PLATE	2	
6	97313-08050-00	BOLT, HEXAGON (90101-08125)	1	
7	92990-08600-00	WASHER, PLATE	1	
8	97013-08075-00	BOLT	1	
9	92990-08600-00	WASHER, PLATE	1	
10	97013-08075-00	BOLT	1	
11	93306-20331-00	BEARING	2	
12	93420-40064-00	CIRCLIP	1	
13	90201-17713-00	WASHER, PLATE	1	
14	8H8-12611-01-00	FAN	1	
15	90280-05014-00	KEY, WOODRUFF	1	
16	8H8-12619-01-00	PULLEY 2	2	
17	90214-17017-00	WASHER, CLAW (0.5T)	1	U.R.
	90214-17018-00	WASHER, CLAW (1.0T)	1	U.R.
18	92901-16100-00	WASHER, SPRING	1	
19	90201-17713-00	WASHER, PLATE	1	
20	90170-16182-00	NUT	1	
21	8H8-12612-00-00	BELT	1	
22	8H8-12618-01-00	PULLEY 1	1	
23	8H8-12651-02-00	AIR SHROUD, CYLINDER 1	1	
24	8H8-12629-00-00	EMBLEM	1	
25	8H8-12658-00-00	DAMPER, AIR SHROUD 1	2	
26	8H8-12659-00-00	DAMPER, AIR SHROUD 2	1	
27	8H8-12669-00-00	DAMPER, AIR SHROUD 4	1	
28	8V8-12678-00-00	DAMPER, AIR SHROUD 5	1	

CONTINUED ON NEXT FRAME ➤

Property of www.SmallEngineDiscount.com - Not for Resale

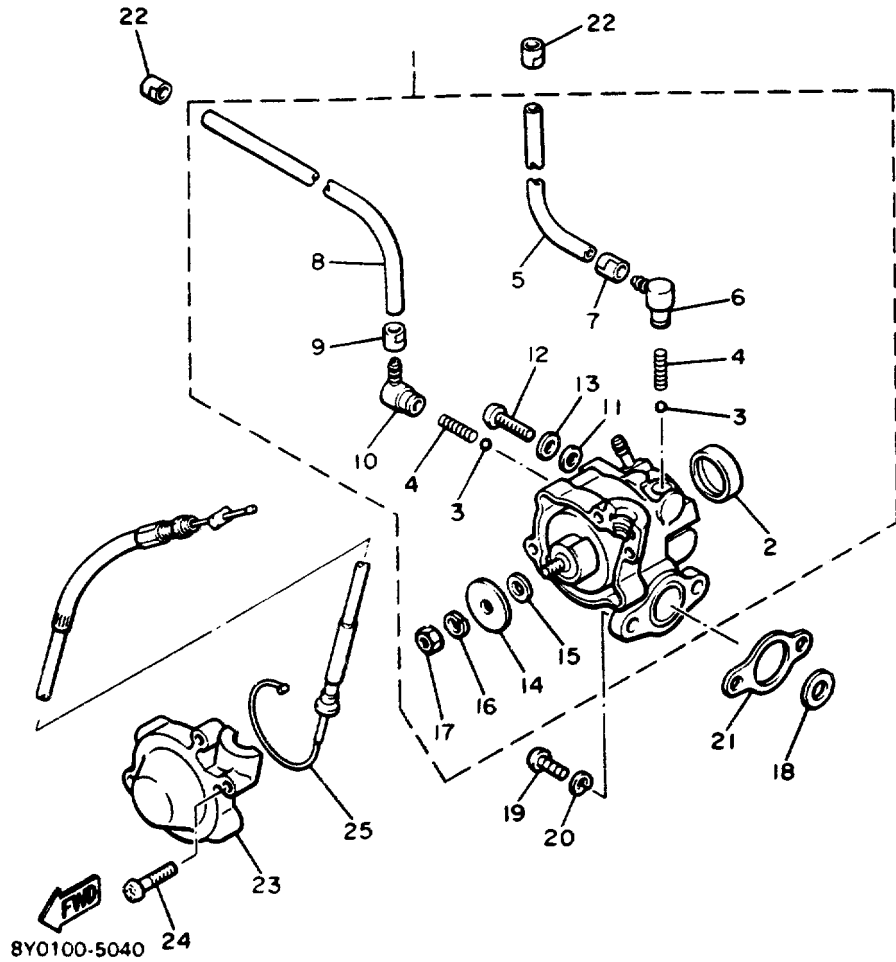
AIR SHROUD - FAN



Ref. No.	Part Number	Description	Qty	Remarks
29	91401-16030-00	PIN, COTTER	3	
30	90119-06108-00	BOLT, WITH WASHER	4	
31	8H8-12652-00-00	AIR SHROUD, CYLINDER 2 ...	1	
32	8L0-12616-00-00	COVER, FAN CASE	1	
33	8Y0-12637-01-00	STAY 1	1	
34	8Y0-12687-01-00	DAMPER, DUCT 4	1	
35	90269-05051-00	RIVET	4	
36	90159-06108-00	SCREW, WITH WASHER	3	
37	8K4-12628-00-00	LABEL, CAUTION	1	

Property of www.SmallEngineDiscount.com - Not for Resale

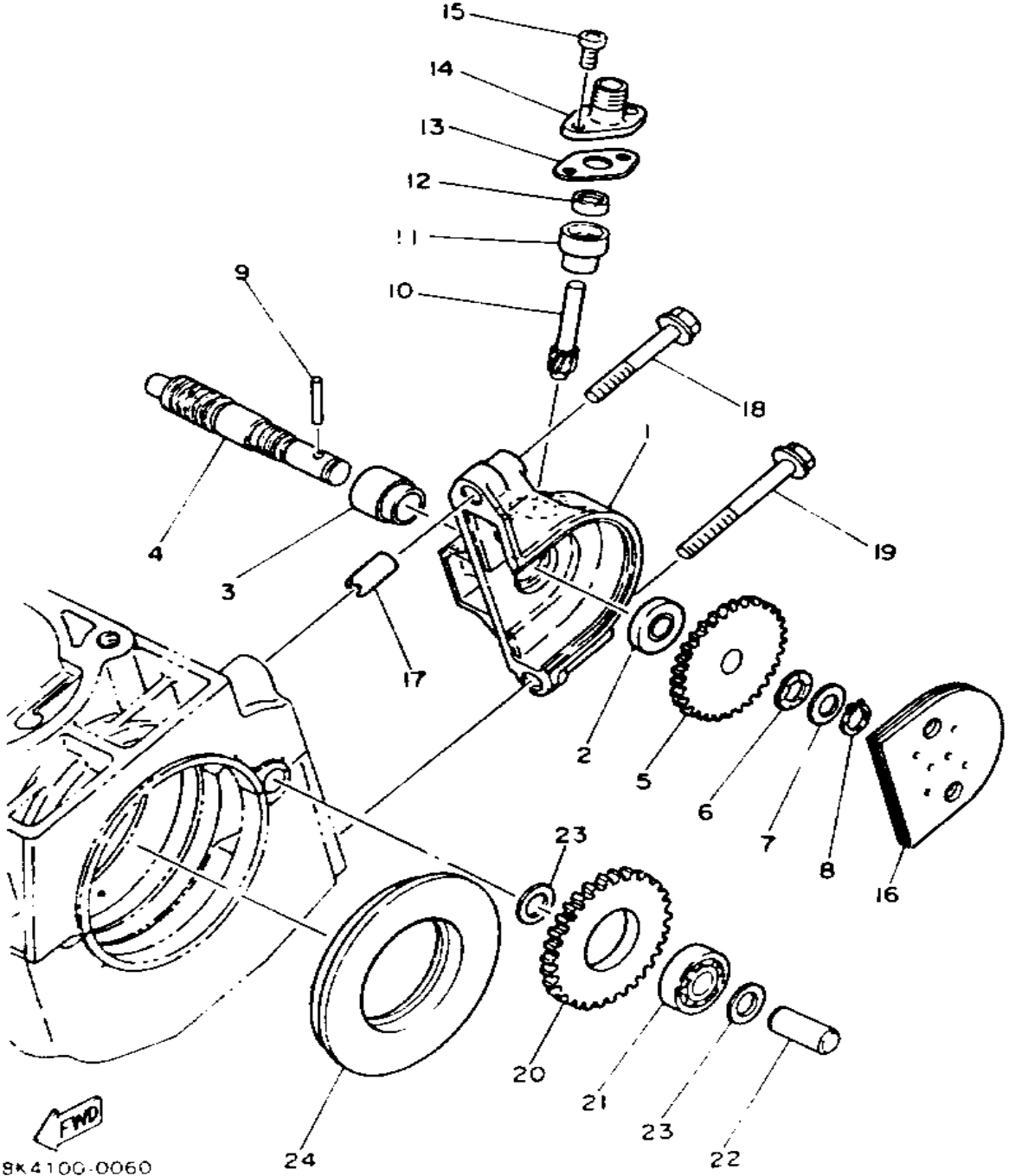
OIL PUMP



Ref. No.	Part Number	Description	Qty	Remarks
1	8V8-13101-00-00	OIL PUMP ASSEMBLY	1	
2	90338-21100-00	. PLUG	1	
3	93505-32002-00	. BALL	2	
4	90501-02018-00	. SPRING, COMPRESSION	2	
5	90446-08210-00	. HOSE	1	
6	353-13552-01-00	. NOZZLE	1	
7	90468-02025-00	. CLIP	1	
8	90446-08204-00	. HOSE	1	
9	90468-02025-00	. CLIP	1	
10	353-13552-01-00	. NOZZLE	1	
11	90430-04004-00	. GASKET	1	
12	98902-04020-00	. SCREW, BIND	1	
13	92901-04600-00	. WASHER, PLATE	1	
14	137-13138-01-00	. PLATE, ADJUSTING	1	
15	137-13137-00-03	. SHIM (0.3T)	1	U.R.
	137-13137-00-05	. SHIM (0.5T)	1	U.R.
	137-13137-00-10	. SHIM (1.0T)	1	U.R.
16	92990-05100-00	. WASHER, SPRING	1	
17	95301-05600-00	. NUT	1	
18	90201-08624-00	WASHER, PLATE	1	
19	98580-05016-00	SCREW, PAN HEAD	2	
20	92990-05100-00	WASHER, SPRING	2	
21	8Y0-13116-01-00	GASKET, PUMP CASE	1	
22	90468-02025-00	CLIP	2	
23	8A5-13146-01-00	COVER, ADJUST PULLEY	1	
24	98506-04018-00	SCREW, PAN HEAD	3	
25	8L8-26320-02-00	PUMP CABLE ASSEMBLY	1	

Property of www.SmallEngineDiscount.com - Not for Resale

PUMP DRIVE - GEAR

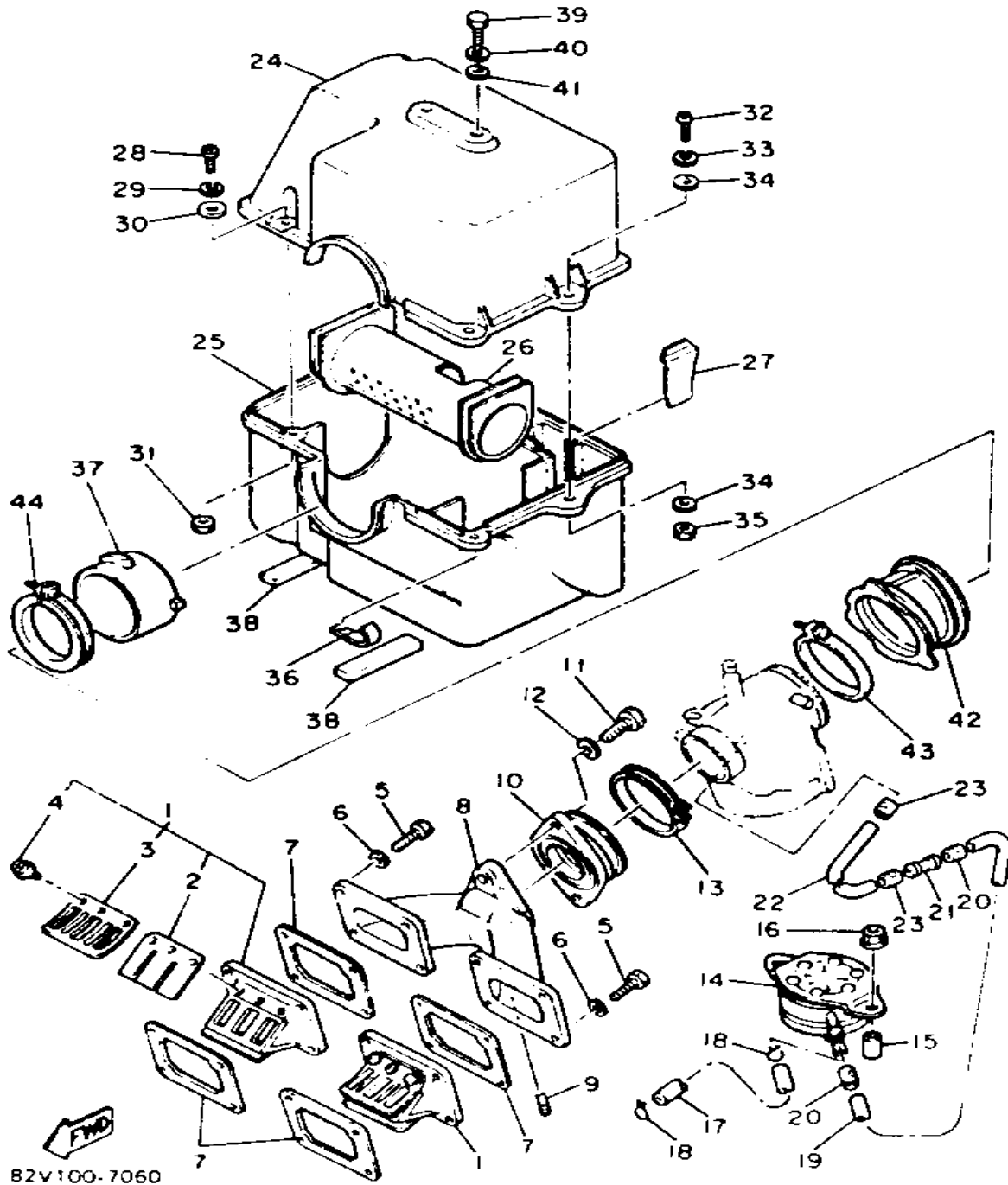


9K4100-0060

Ref. No.	Part Number	Description	Qty	Remarks
1	8H8-15416-00-00	COVER, OIL PUMP	1	
2	93101-10090-00	OIL SEAL	1	
3	821-13176-00-00	METAL, WORM SHAFT OUTER	1	
4	866-13175-00-00	SHAFT, WORM	1	
5	821-13188-00-00	GEAR, DRIVE (32T)	1	
6	90206-11016-00	WASHER, WAVE	1	
7	137-13148-00-00	PLATE, CAM THRUST	1	
8	99009-10400-00	CIRCLIP	1	
9	93603-22028-00	PIN, DOWEL	1	
10	813-17841-00-00	GEAR, DRIVEN (10T)	1	
11	821-17843-00-00	BUSH, DRIVEN GEAR OUTER	1	
12	93104-06033-00	OIL SEAL	1	
13	821-17818-02-00	GASKET	1	
14	821-17819-00-00	CAP, HOUSING	1	
15	98501-05010-00	SCREW, PAN HEAD	2	
16	8K4-15426-00-00	COVER, OIL PUMP 2	1	
17	99510-08016-00	PIN, DOWEL	2	
18	95811-06040-00	BOLT, FLANGE	1	
19	95811-06055-00	BOLT, FLANGE (95802-06055)	1	
20	8H8-13179-00-00	GEAR, IDLE (34T)	1	
21	93306-00002-00	BEARING (B6000RS)	1	
22	8G8-13342-00-00	SHAFT, IDLE GEAR	1	
23	90201-10119-00	WASHER, PLATE	2	
24	8K4-13119-00-00	SEAL, GREASE	1	

Property of www.SmallEngineDiscount.com - Not for Resale

AIR CLEANER



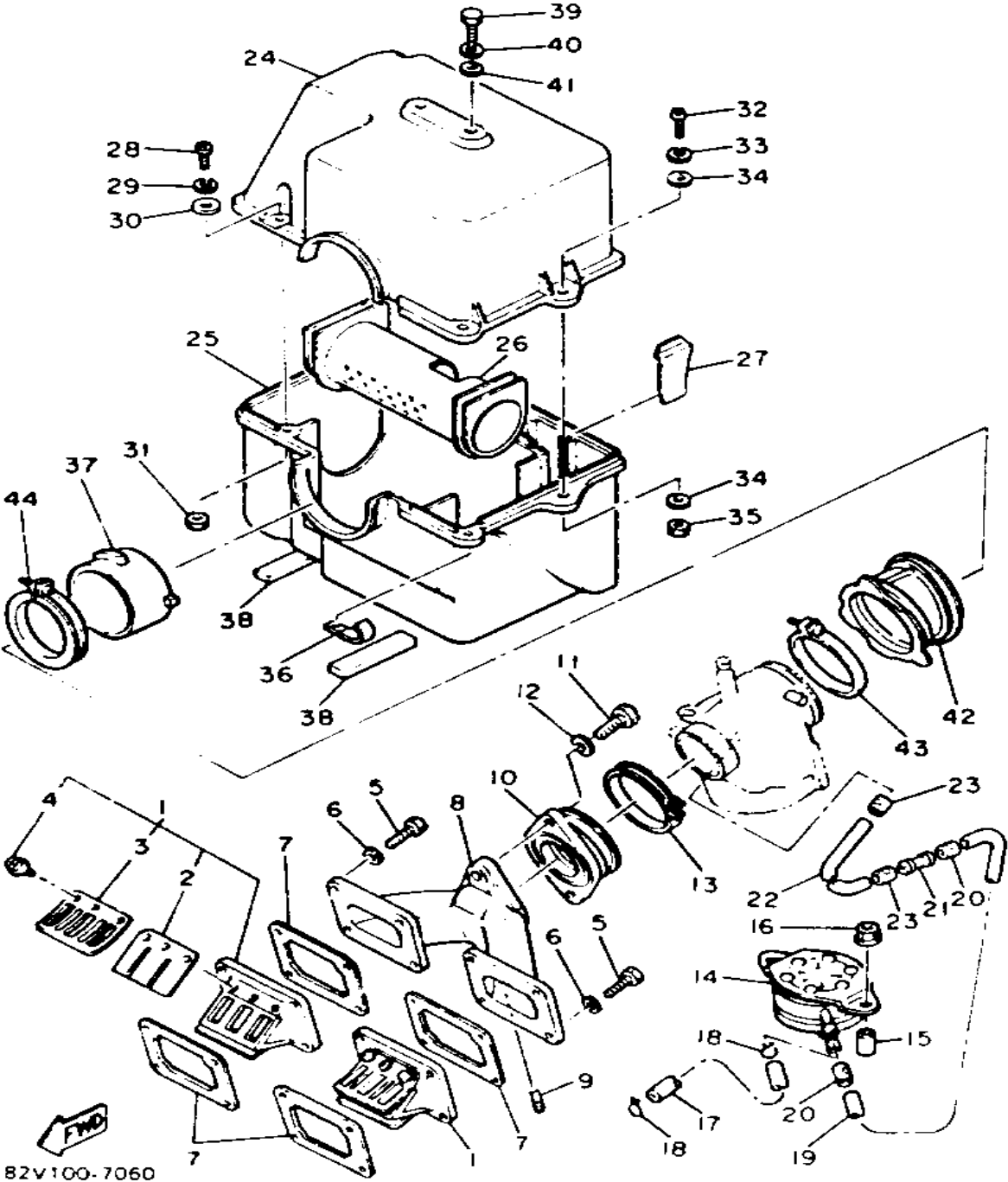
82V100-7060

Ref. No.	Part Number	Description	Qty	Remarks
1	ø8A-T1361-00-00	REED VALVE ASS'Y	2	
2	ø8A-T1361-30-00	. REED, valve	2	
3	8H8-13616-00-00	. STOPPER, REED VALVE	2	
4	98580-03008-00	. SCREW, PAN HEAD	8	
5	97011-06025-00	BOLT (97001-06025)	8	
6	92990-06600-00	WASHER, PLATE	8	
7	8Y7-13556-01-00	GASKET, MANIFOLD	4	
8	8L0-13565-00-00	JOINT, CARBURETOR	1	
9	824-13552-00-00	NOZZLE	2	
10	8G8-13555-01-00	MANIFOLD, INTAKE	1	
11	97001-08025-00	BOLT (1NV)	2	
12	92990-08600-00	WASHER, PLATE	2	
13	86M-13575-00-00	BAND	1	
14	8Y0-24410-01-00	FUEL PUMP ASSEMBLY (8Y0-24410-00)	1	
15	90387-06574-00	COLLAR	2	
16	95701-06500-00	NUT, FLANGE	2	
17	90445-10140-00	HOSE	1	
18	90467-09006-00	CLIP	2	
19	90446-11020-00	HOSE	1	
20	90467-11028-00	CLIP	2	
21	8Y4-24376-00-00	PIPE, JOINT 1	1	
22	90446-09011-00	HOSE	1	
23	90467-09026-00	CLIP	2	
24	8K4-14431-00-00	SILENCER, INTAKE 1	1	
25	8K4-14441-01-00	SILENCER, INTAKE 2	1	
26	8L0-14466-00-00	PIPE	1	
27	8K4-14477-00-00	PLATE	2	
28	98580-05016-00	SCREW, PAN HEAD	3	

CONTINUED ON NEXT FRAME ►

Property of www.SmallEngineDiscount.com - Not for Resale

AIR CLEANER

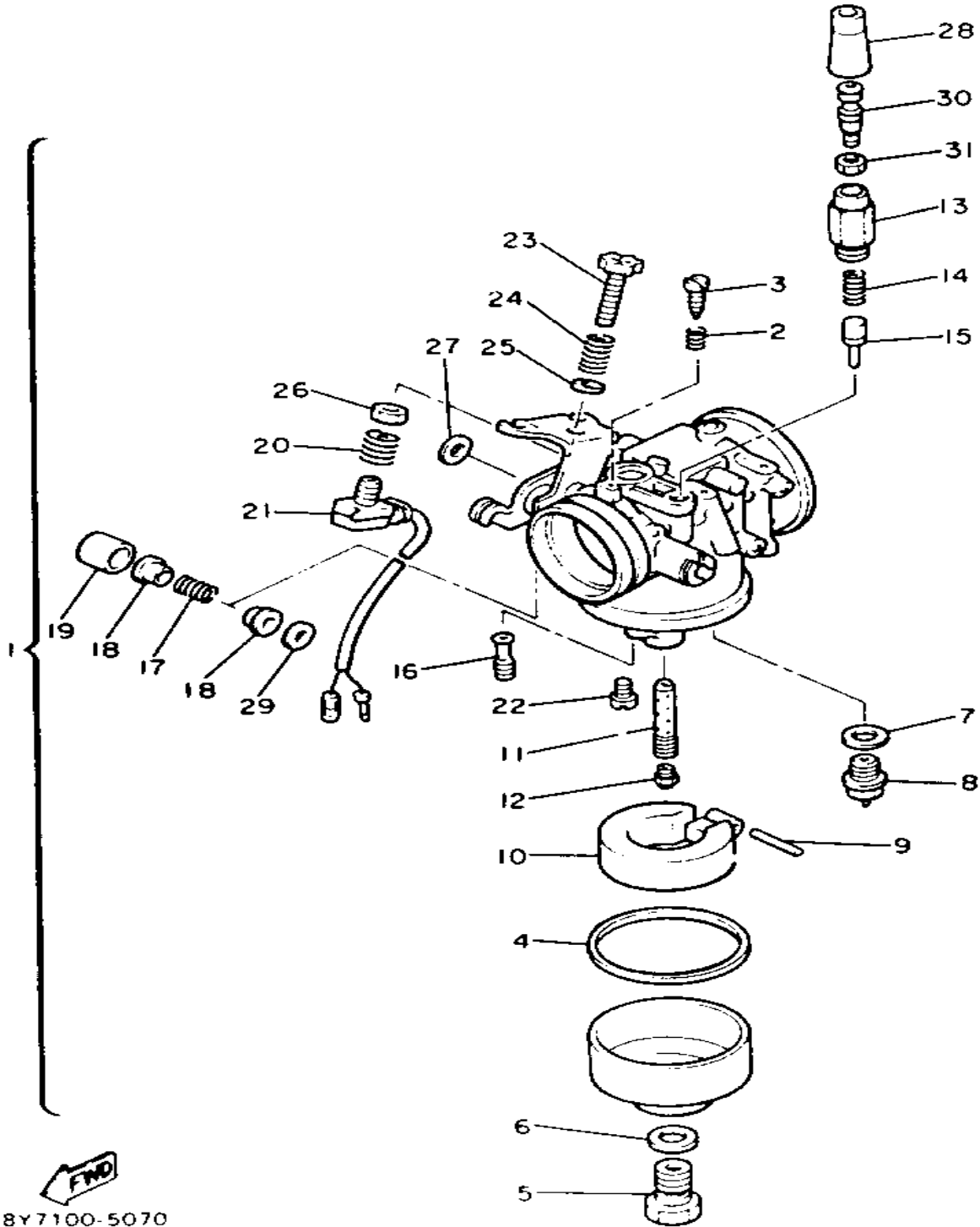


82V100-7060

Ref. No.	Part Number	Description	Qty	Remarks
29	92990-05100-00	WASHER, SPRING	3	
30	92901-05600-00	WASHER, PLATE	3	
31	95301-05700-00	NUT (95302-05700)	3	
32	98501-06025-00	SCREW, panhead (92501-06025)	2	
33	92995-06100-00	WASHER, SPRING	2	
34	92990-06200-00	WASHER	4	
35	95380-06600-00	NUT	2	
36	90462-06058-00	CLAMP	1	
37	8N8-14465-00-00	PIPE	1	
38	8K4-14425-00-00	DAMPER 1	2	
39	97313-06016-00	BOLT, HEXAGON	2	
40	92995-06100-00	WASHER, SPRING	2	
41	90201-062A8-00	WASHER, PLATE	2	
42	8N8-14453-01-00	JOINT, AIR CLEANER 1	1	
43	90460-71129-00	CLAMP, HOSE (90460-71017) ..	1	
44	90460-75020-00	CLAMP, HOSE	1	

Property of www.SmallEngineDiscount.com - Not for Resale

CARBURETOR



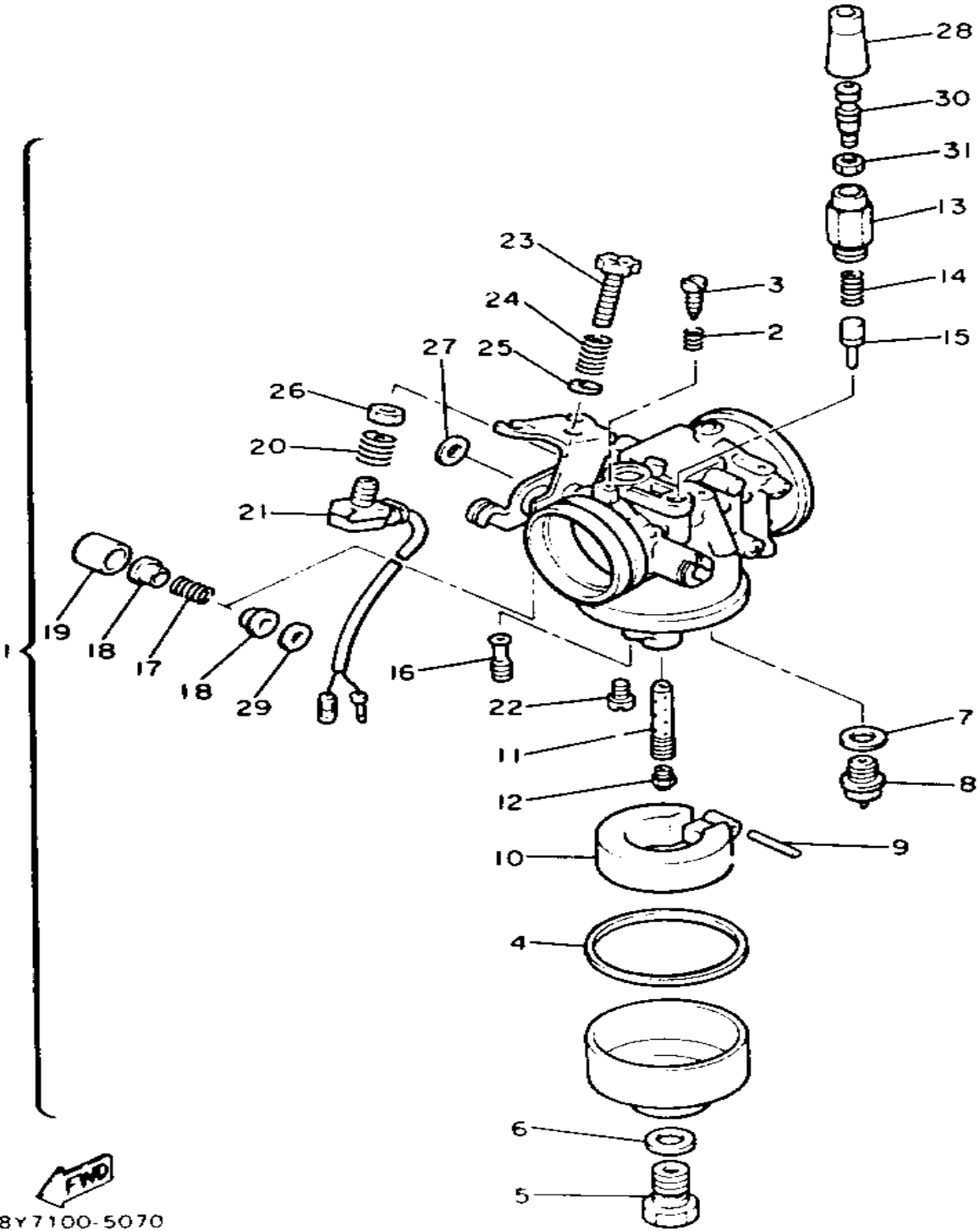
8Y7100-5070

Ref. No.	Part Number	Description	Qty	Remarks
1	8Y7-14101-02-00	CARBURETOR ASSEMBLY 1 (8Y7-14101-01)	1	
2	82A-14134-00-00	. SPRING, AIR ADJUSTING	1	
3	620-14211-00-00	. SCREW, PILOT ADJUSTING	1	
4	8M6-14126-00-00	. GASKET	1	
5	8M6-14261-00-00	. HOLDER	1	
6	286-14198-00-00	. GASKET	1	
7	214-14195-00-00	. WASHER, NEEDLE VALVE	1	
8	168-14190-15-00	. NEEDLE VALVE ASSEMBLY	1	
9	38M-61418-60-00	. PIN, float	1	
10	8M6-14185-00-00	. FLOAT	1	
11	8Y2-14941-32-00	. NOZZLE, MAIN	1	
12	3G2-14231-23-A0	. JET, MAIN #115 (3G2-14231-23-00) (#115)	1	U.R.
	3G2-14231-24-00	. JET, MAIN (#120)	1	U.R.
	3G2-14231-25-00	. JET, MAIN (#125)	1	U.R.
	3G2-14231-26-A0	. JET, MAIN (#130) (3G2-14231-26-00)	1	U.R.
	3G2-14231-29-00	. JET, MAIN (#145)	1	U.R.
	3G2-1423A-74-00	. JET, MAIN (#117.5)	1	U.R.
	3G2-1423A-75-A1	. JET, MAIN (#122.5) (3G2-14231-75-00) (#122.5)	1	U.R.
	3G2-1423A-76-00	. JET, MAIN (#127.5)	1	U.R.
	3G2-1423A-77-A1	. JET, MAIN (#132.5) (3G2-1423A-77-00)	1	U.R. Std
	3G2-1423A-78-00	. JET, MAIN (#137.5)	1	U.R.
13	8G8-14174-00-00	. CAP, PLUNGER	1	
14	127-14135-00-00	. SPRING, PLUNGER	1	
15	8G8-14171-00-00	. PLUNGER, STARTER	1	
16	193-14142-60-00	. JET, PILOT #60 (60)	1	

CONTINUED ON NEXT FRAME ➤

Property of www.SmallEngineDiscount.com - Not for Resale

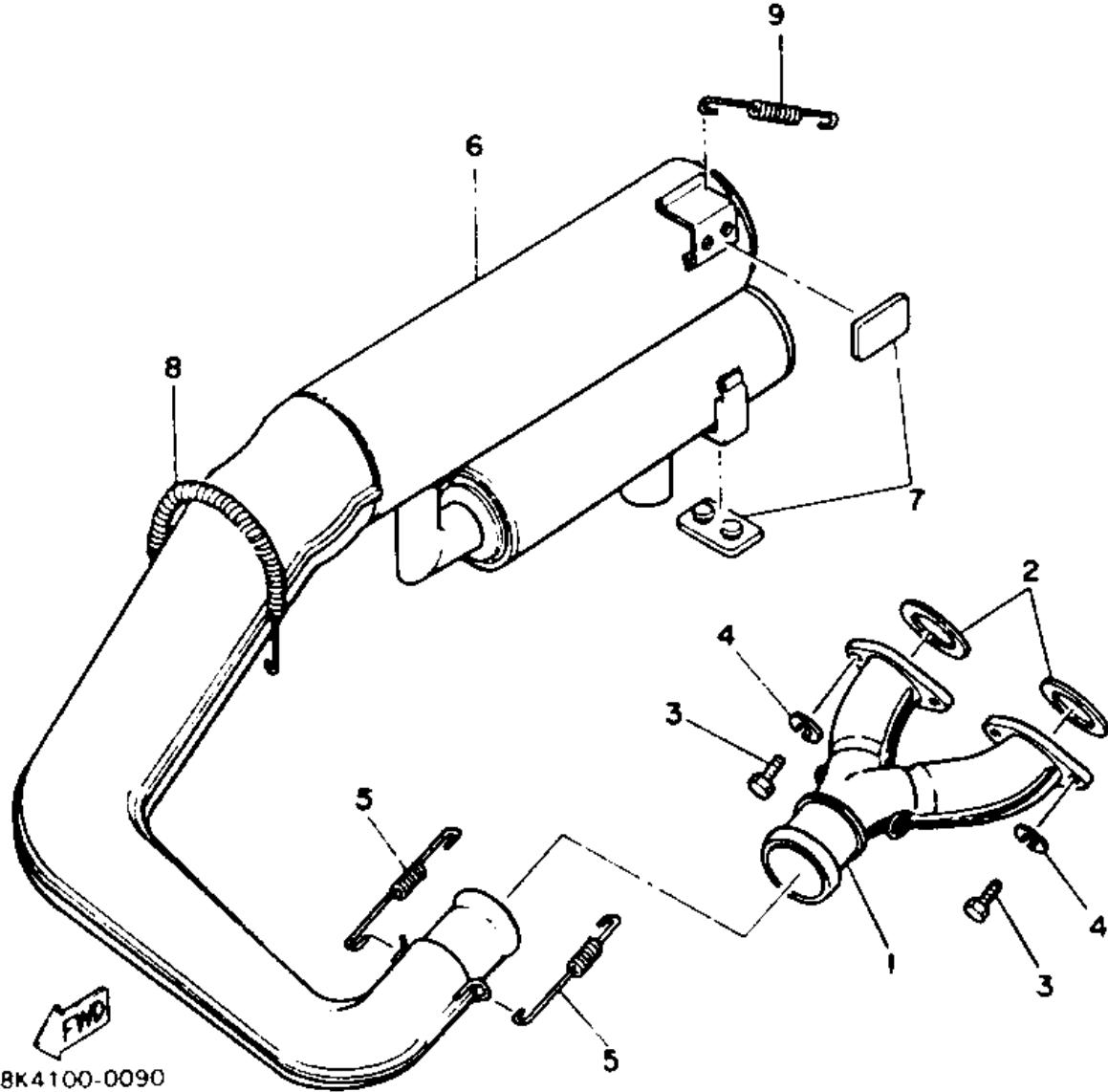
CARBURETOR



Ref. No.	Part Number	Description	Qty	Remarks
17	80L-14932-00-00	. SPRING, THROTTLE 2	1	
18	80L-14535-00-00	. COLLAR	2	
19	80L-14534-00-00	. COLLAR	1	
20	8X0-14133-00-00	. SPRING, THROTTLE STOP ..	1	
21	8V0-8259A-00-00	. SWITCH, CARBURETOR	1	
22	8V0-14118-00-00	. CAP	1	
23	80L-14122-00-00	. SCREW, THROTTLE	1	
24	8X0-14500-00-00	. SPRING	1	
25	22F-14117-00-00	. WASHER, PLUG SCREW	1	
26	8X0-14358-00-00	. NUT	1	
27	80L-14264-00-00	. COLLAR	1	
28	8A7-14169-00-00	. CAP	1	
29	80L-14227-00-00	. WASHER	1	
30	12G-14106-00-00	. CABLE ADJUST SCREW SET	1	
31	802-14161-00-00	. NUT, CABLE ADJUSTING ...	1	

Property of www.SmallEngineDiscount.com - Not for Resale

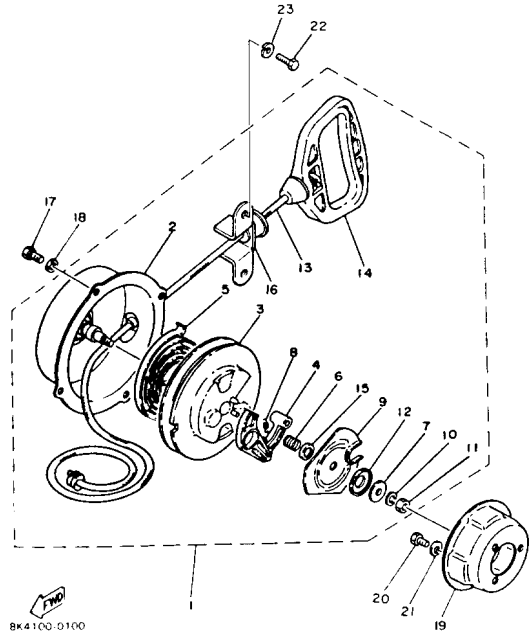
EXHAUST



Ref. No.	Part Number	Description	Qty	Remarks
1	8H8-14610-00-00	EXHAUST PIPE ASSEMBLY L	1	
2	821-14613-01-00	GASKET, EXHAUST PIPE	2	
3	97313-08020-00	BOLT, HEXAGON	4	
4	92990-08100-00	WASHER	4	
5	90506-20272-00	SPRING, TENSION	2	
6	8L0-14710-01-00	MUFFLER ASSEMBLY L	1	
7	8A5-14728-02-00	PROTECTOR, MUFFLER 2	2	
8	90506-14207-00	SPRING, TENSION	1	
9	90506-16212-00	SPRING, TENSION	1	

Property of www.SmallEngineDiscount.com - Not for Resale

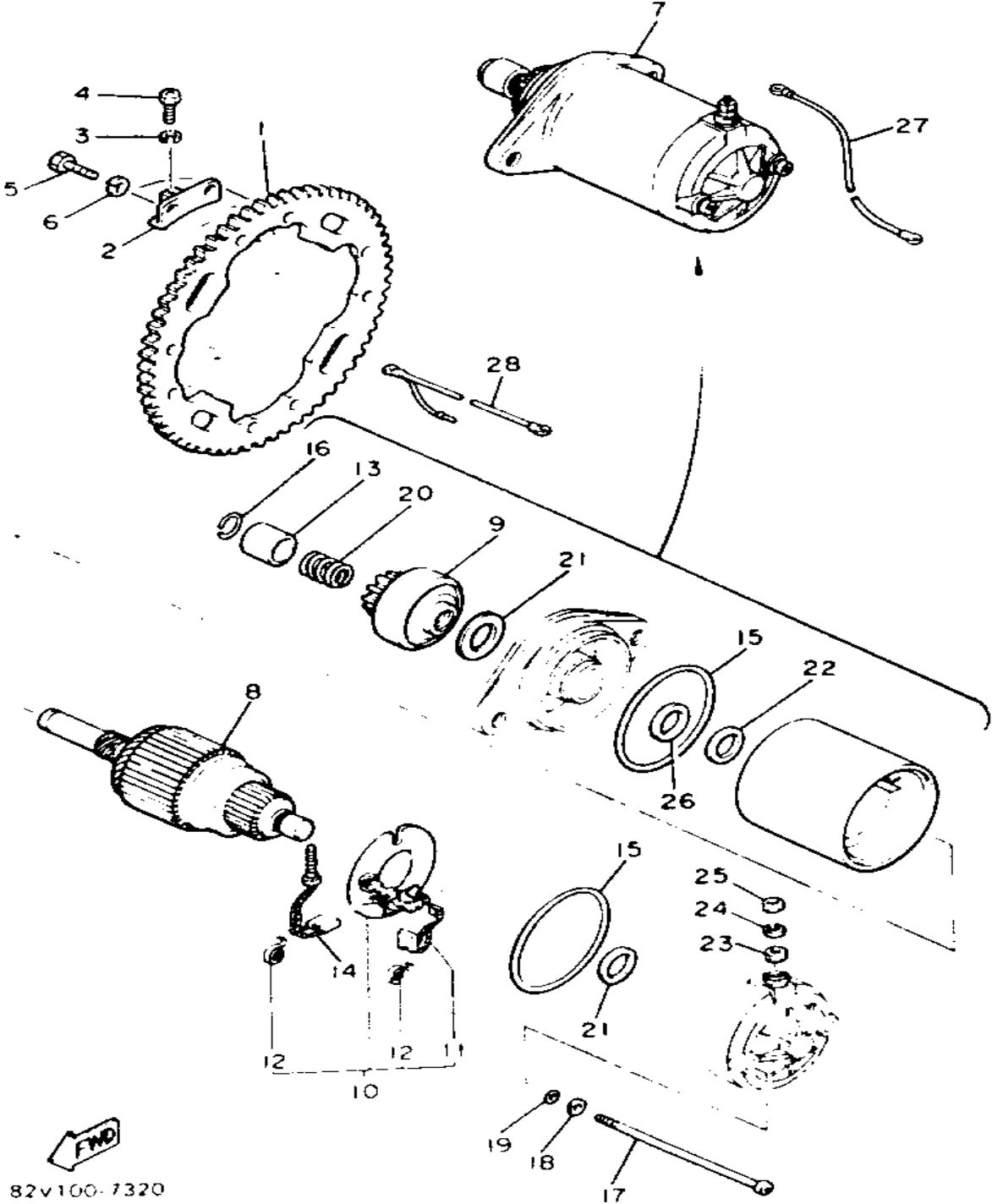
STARTER



Ref. No.	Part Number	Description	Qty	Remarks
1	8K4-15710-00-00	STARTER ASSEMBLY	1	
2	8H8-15711-00-00	. CASE, STARTER	1	
3	8F3-15714-01-00	. DRUM, SHEAVE	1	
4	8F3-15741-01-00	. PAWL, DRIVE	1	
5	8Y0-15713-00-00	. SPRING, STARTER	1	
6	8F3-15715-00-00	. SPRING, FRICTION	1	
7	8F3-15739-01-00	. WASHER, THRUST	1	
8	8F3-15734-00-00	. SPRING, RETURN	1	
9	8F3-15716-03-00	. PLATE, DRIVE	1	
10	92995-06100-00	. WASHER, SPRING	1	
11	95380-06700-00	. NUT	1	
12	8G5-15739-00-00	. WASHER, THRUST	1	
13	857-15751-00-00	. WIRE, STARTER	1	
14	8F3-15755-00-00	. HANDLE, STARTER	1	
15	82M-15779-00-00	. COVER	1	
16	8K4-15788-00-00	. HOLDER, HANDLE	1	
17	97006-06014-00	BOLT	4	
18	92906-06100-00	WASHER, SPRING	4	
19	8H8-15723-01-00	PULLEY, STARTER	1	
20	97313-08020-00	BOLT, HEXAGON	3	
21	92990-08100-00	WASHER	3	
22	97026-06012-00	BOLT	2	
23	92906-06100-00	WASHER, SPRING	2	

Property of www.SmallEngineDiscount.com - Not for Resale

STARTING MOTOR



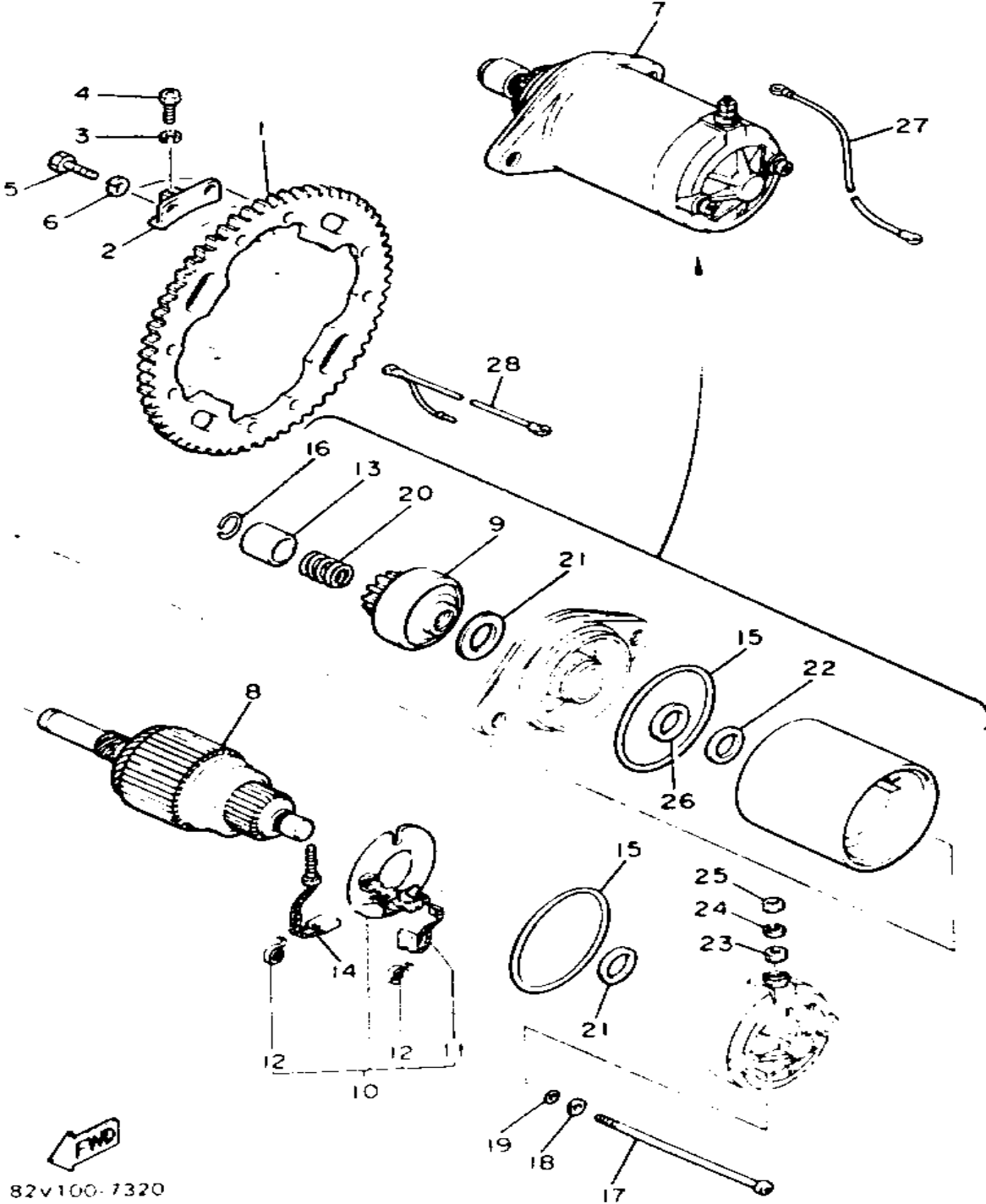
82V100-7320

Ref. No.	Part Number	Description	Qty	Remarks
1	8H8-81891-00-00	GEAR, RING	1	
2	8H8-81895-00-00	STAY, RING GEAR	4	
3	92990-08100-00	WASHER	4	
4	90110-08028-00	BOLT, HEX SKT HEADSOCKET HEAD	4	
5	97011-06010-00	BOLT	8	
6	92995-06100-00	WASHER, SPRING	8	
7	84N-81800-50-00	STARTING MOTOR ASSEMBLY (8V3-81800-50-00)	1	
8	8Y-38185-00-00	. ARMATURE ASS'Y	1	
9	8L6-81832-50-00	. CLUTCH, OVER RUN	1	
10	8L6-81840-50-00	. BRUSH HOLDER ASSEMBLY	1	
11	73A-81812-00-00	. BRUSH 2	1	
12	8L6-81813-50-00	. SPRING, BRUSH	2	
13	8L6-81833-50-00	. RING, STOP	1	
14	73A-81811-00-00	. BRUSH 1	1	
15	4H7-81844-00-00	. O-RING (4H7-81844-50-00) ...	2	
16	8L6-81834-50-00	. RING	1	
17	8L6-81826-50-00	. BOLT	2	
18	8L6-81824-50-00	. WASHER 2	2	
19	8L6-81847-50-00	. O-RING	2	
20	8L6-81836-50-00	. SPRNG, lever	1	
21	4H7-81843-50-00	. WASHER 1	2	
22	8L6-81835-50-00	. WASHER 2	1	
23	4H7-81872-00-00	. NUT, SPECIAL	1	
24	92995-06100-00	. WASHER, SPRING	1	
25	95380-06700-00	. NUT	1	
26	8Y3-81167-00-00	. OIL SEAL	1	
27	83M-82117-00-00	WIRE, LEAD (81E-82117-00) ..	1	

CONTINUED ON NEXT FRAME ►

Property of www.SmallEngineDiscount.com - Not for Resale

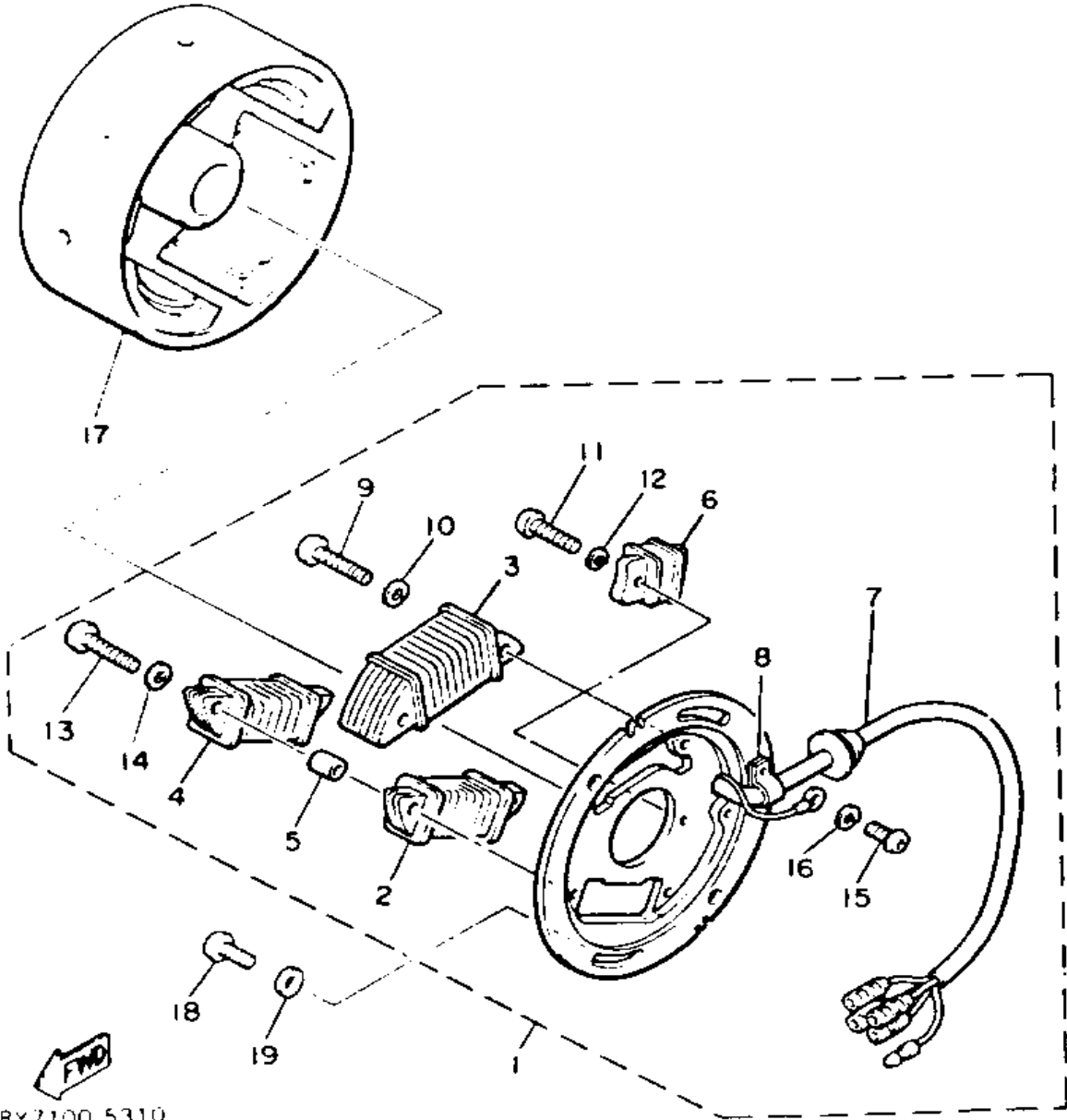
STARTING MOTOR



Ref. No.	Part Number	Description	Qty	Remarks
28	8Y7-82116-00-00	WIRE, MINUS LEAD	1	

Property of www.SmallEngineDiscount.com - Not for Resale

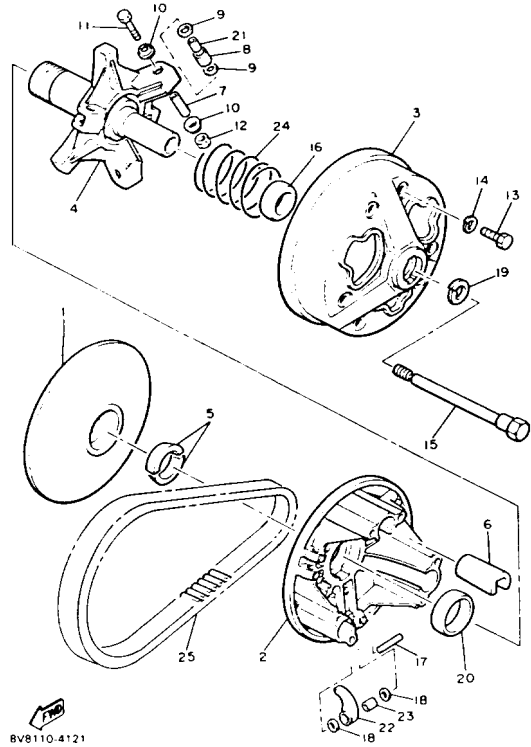
GENERATOR



Ref. No.	Part Number	Description	Qty	Remarks
1	88F-85510-00-00	STATOR ASSEMBLY	1	
2	86M-85511-00-00	. COIL, SOURCE	1	
3	8H8-85513-20-00	. COIL, LIGHTING 1	1	
4	82M-85514-20-00	. COIL, LIGHTING 2	1	
5	8T0-85519-20-00	. SPACER	2	
6	82M-85580-20-00	. COIL, PULSER	1	
7	8W0-85515-20-00	. LEAD WIRE ASSEMBLY (8V0-85515-20)	1	
8	445-81328-20-00	. CLAMP	1	
9	98501-05040-00	. SCREW, PAN HEAD (98502-05040)	2	
10	92990-05100-00	. WASHER, SPRING	2	
11	98506-04018-00	. SCREW, PAN HEAD	2	
12	92901-04100-00	. WASHER, SPRING	2	
13	98501-05040-00	. SCREW, PAN HEAD (98502-05040)	2	
14	92990-05100-00	. WASHER, SPRING	2	
15	98580-04008-00	. SCREW, PAN HEAD	1	
16	92901-04100-00	. WASHER, SPRING	1	
17	8J9-85550-20-00	ROTOR ASSEMBLY (8K1-85550-20)	1	
18	98980-06016-00	SCREW, BINDING	2	
19	90201-06043-00	WASHER, PLATE	2	

Property of www.SmallEngineDiscount.com - Not for Resale

PRIMARY SHEAVE

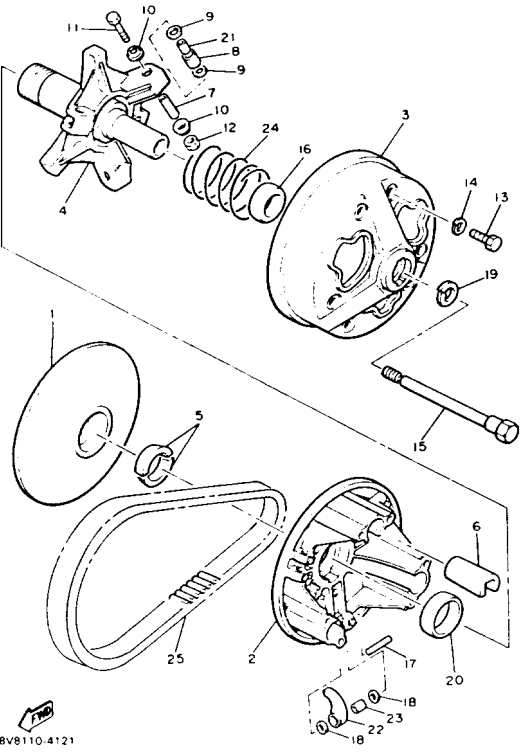


Ref. No.	Part Number	Description	Qty	Remarks
1	84J-17611-00-00	SHEAVE, PRIMARY FIXED . . .	1	
2	8V0-17621-01-00	SHEAVE, PRIMARY SLIDING ..	1	
3	8V0-17631-00-00	CAP	1	
4	82M-17640-01-00	SPIDER, COMPLETE	1	
5	8V0-17639-00-00	STOPPER	2	
6	88X-17653-00-00	SLIDER	3	
7	90387-086G4-00	COLLAR	3	
8	90387-096J5-00	COLLAR	3	O
9	90202-08205-00	WASHER, PLATE	6	
10	90208-05036-00	WASHER, CONICAL SPR	6	
11	97313-05035-00	BOLT	3	
12	95612-05100-00	NUT, U	3	
13	97313-06030-00	BOLT, HEXAGON	6	
14	92995-06100-00	WASHER, SPRING	6	
15	89X-00000-50-00	CLUTCH TUNE-UP KIT (K)	1	OPTION KIT Marked w/O
	8V0-17601-19-00	CLUTCH MARKED	1	Marked w/ OPTION KIT
	8V0-17647-00-00	BOLT (L=156.5MM)	1	
16	90389-28032-00	BUSH	1	
18	90201-077F5-00	WASHER, PLATE	6	
19	92901-16100-00	WASHER, SPRING	1	
20	90389-40029-00	BUSH	1	O
21	90386-08153-00	ROLLER BUSH VESPEL	3	O
22	8V0-W176A-00-00	WEIGHT, WITH BUSH	3	
23	90386-07152-00	BUSH	3	O
24	90501-504A3-00	SPRING, WHITE/PURPL	1	
25	89X-00000-50-00	CLUTCH TUNE-UP KIT (K)	1	OPTION KIT Marked w/O
	8F2-17641-01-00	V-BELT	1	

CONTINUED ON NEXT FRAME ►

Property of www.SmallEngineDiscount.com - Not for Resale

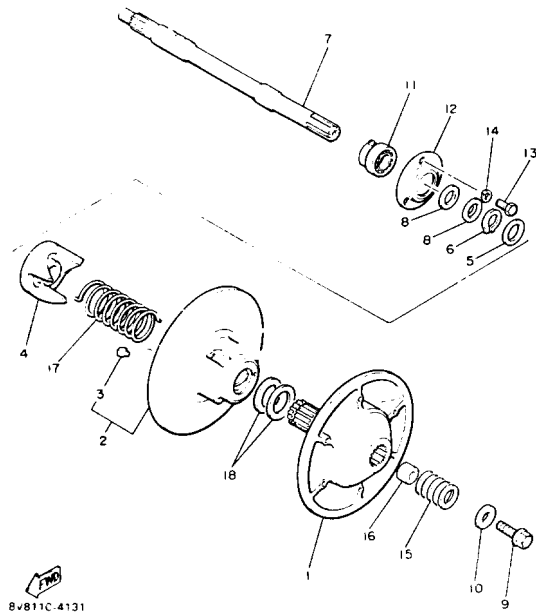
PRIMARY SHEAVE



Ref. No.	Part Number	Description	Qty	Remarks
25	8V0-17601-19-00	CLUTCH MARKED	1	Marked w/ OPTION KIT

Property of www.SmallEngineDiscount.com - Not for Resale

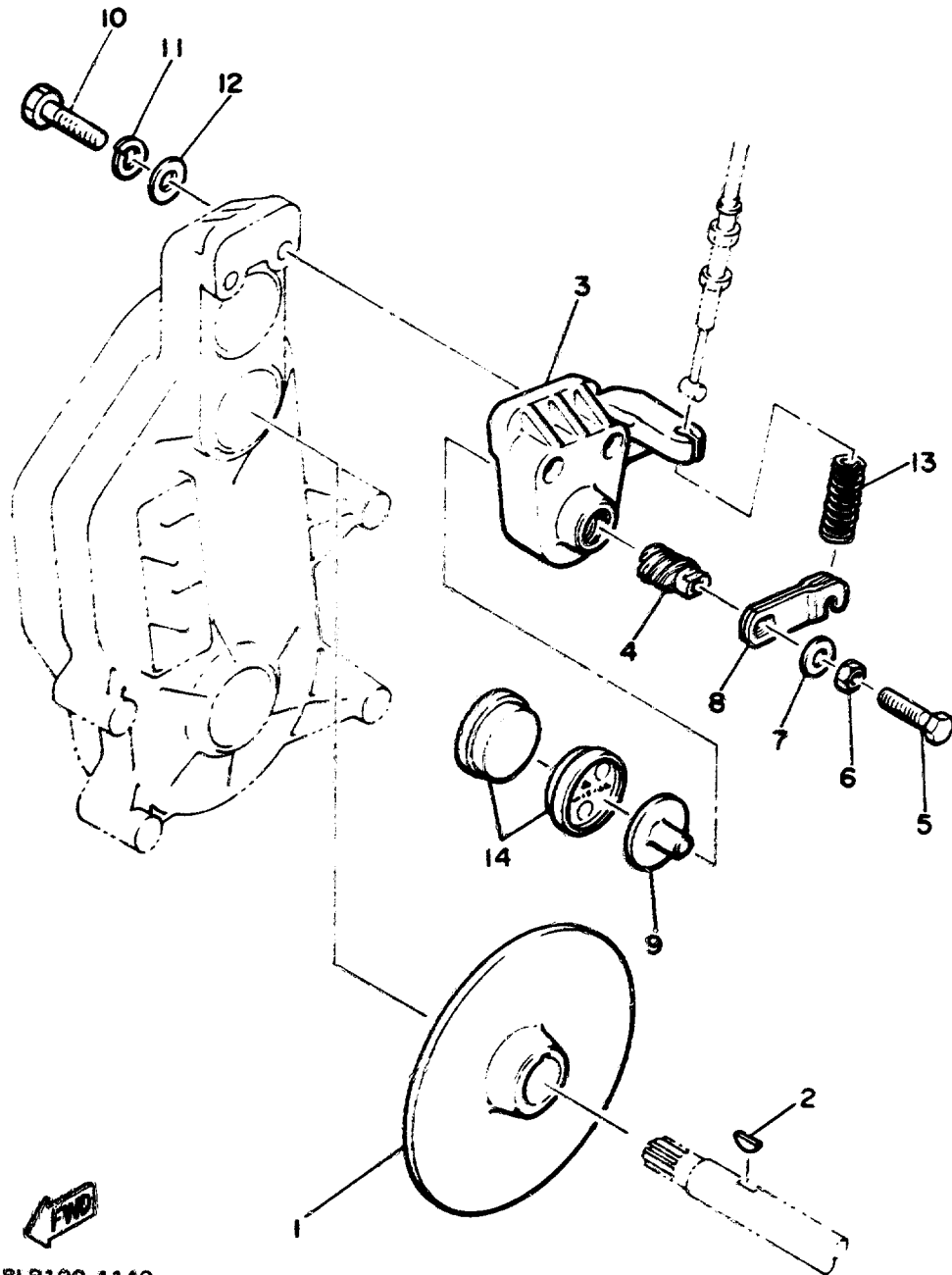
SECONDARY SHEAVE



Ref. No.	Part Number	Description	Qty	Remarks
1	80R-17660-01-00	SEC. FIXED SHEAVECOMP ...	1	
2	80R-17670-01-00	SEC.SLIDING SHEAVE	1	
3	8X6-17688-00-00	. SHOE, RAMP	3	
4	8U7-17684-01-00	SEAT, SEC SPRING	1	
5	90201-34684-00	WASHER, PLATE	1	
6	93440-34170-00	CIRCLIP	1	
7	82M-17681-00-00	SHAFT, SECONDARY	1	
8	90201-252F1-00	WASHER, PLATE (T0.5)	2	U.R.
	90201-25526-00	WASHER, PLATE (T2.0)	2	U.R.
	90201-25527-00	WASHER, PLATE (T1.0)	2	U.R.
9	90105-14175-00	BOLT, WASHER BASED	1	
10	90201-140A6-00	WASHER, PLATE	1	
11	8L8-17678-00-00	BEARING	1	
12	8K4-47631-01-00	HOUSING, BEARING	1	
13	97011-08016-00	BOLT	3	
14	92990-08100-00	WASHER	3	
15	90201-222F0-00	WASHER, PLATE (T0.5)	1	U.R.
	90201-225A4-00	WASHER, PLATE (T1.0)	1	U.R.
16	90387-147A8-00	COLLAR	1	
17	90508-50571-00	SPRING, TORSION	1	
18	90201-345G2-00	WASHER, PLATE	2	

Property of www.SmallEngineDiscount.com - Not for Resale

BAKE

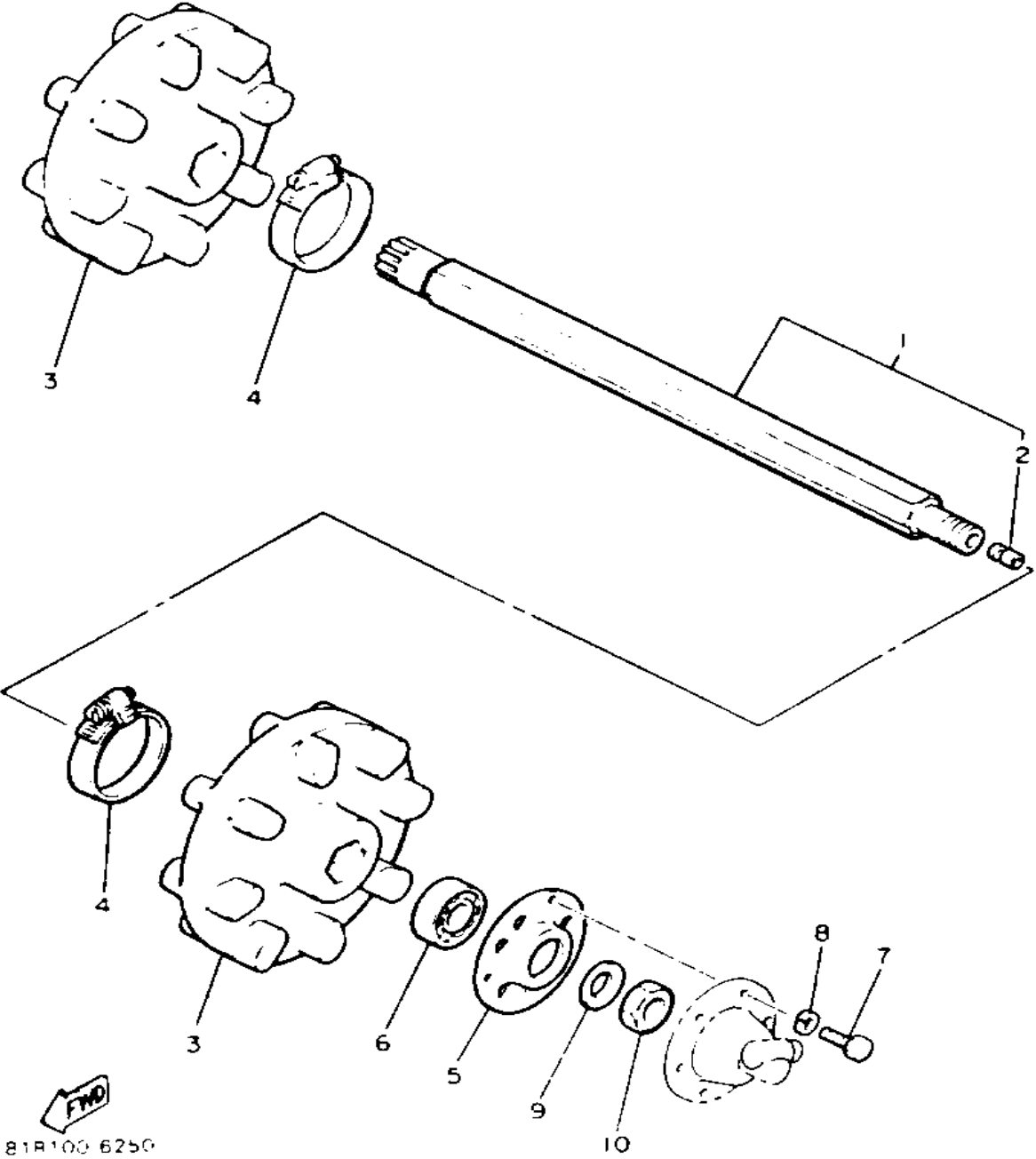


8LB100-1140

Ref. No.	Part Number	Description	Qty	Remarks
1	8L8-25831-00-00	DISC, BRAKE (R)	1	
2	8J7-25848-00-00	KEY	1	
3	8K4-25731-00-00	BODY, CALIPER 1	1	
4	878-25728-00-00	CAM	1	
5	90101-08499-00	BOLT	1	
6	95303-08700-00	NUT	1	
7	92990-08600-00	WASHER, PLATE	1	
8	878-25726-00-00	LEVER, BRAKE	1	
9	878-25733-00-00	PLATE, BACK UP	1	
10	97313-10055-00	BOLT, HEXAGON (97322-10055)	2	
11	92901-10100-00	WASHER, SPRING	2	
12	92990-10600-00	WASHER, PLATE	2	
13	90501-23337-00	SPRING, COMPRESSION	1	
14	84X-25811-01-00	PAD, CALIPER 2	1	U.R.

Property of www.SmallEngineDiscount.com - Not for Resale

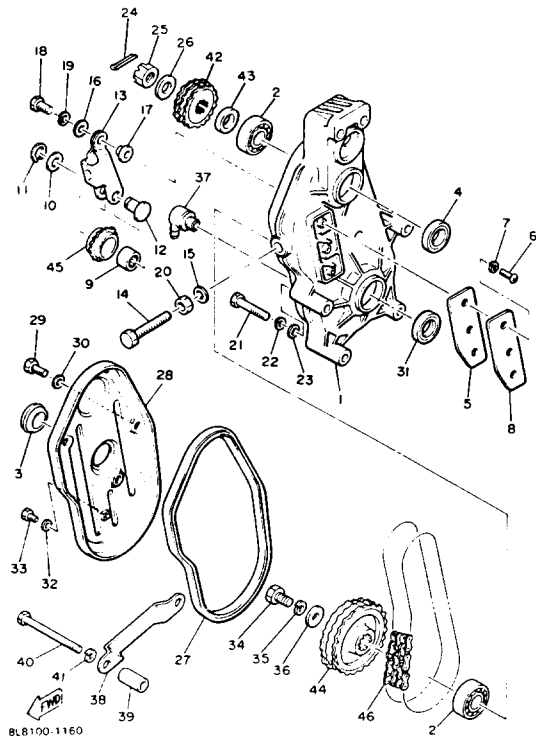
TRACK DRIVE 1



Ref. No.	Part Number	Description	Qty	Remarks
1	8K4-W4751-01-00	AXLE, FRONT	1	
2	8K4-47577-00-00	. CONNECTOR	1	
3	8J7-47531-01-00	WHEEL, SPROCKET 1	2	
4	90460-50079-00	CLAMP, HOSE	2	
5	8K4-47551-00-00	HOUSING, FRONT AXLE	1	
6	93306-00420-00	BEARING (B6004)	1	
7	97022-08016-00	BOLT	3	
8	92990-08100-00	WASHER	3	
9	90208-22001-00	WASHER, CONICAL SPRING ..	1	
10	90170-22094-00	NUT	1	

Property of www.SmallEngineDiscount.com - Not for Resale

TRACK DRIVE 2

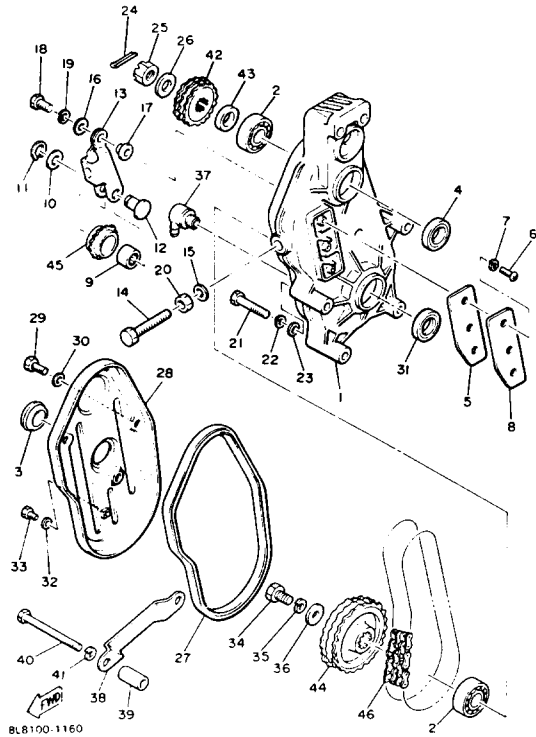


Ref. No.	Part Number	Description	Qty	Remarks
1	8K4-47541-00-00	HOUSING, CHAIN	1	
2	93306-20570-00	BEARING	2	
3	8L8-22315-00-00	CAP	1	
4	93102-27204-00	OIL SEAL	1	
5	86K-47592-00-00	GASKET (8K4-47592-00)	1	
6	98501-06014-00	SCREW, pan head (92501-06014-00)	3	
7	92995-06100-00	WASHER, SPRING	3	
8	8K4-47591-00-00	PLATE	1	
9	93315-21227-00	BEARING	1	
10	90201-12631-00	WASHER, PLATE	1	
11	99009-12400-00	CIRCLIP	1	
12	90249-12135-00	PIN, SPEC'L SHAPE	1	
13	8K4-47613-00-00	HOLDER	1	
14	90101-10357-00	BOLT	1	
15	90210-10004-00	WASHER, SEAL	1	
16	92990-08200-00	WASHER, PLAIN	2	
17	90387-08301-00	COLLAR	1	
18	97312-08025-00	BOLT (97012-08025)	1	
19	92990-08100-00	WASHER	1	
20	95303-10700-00	NUT	1	
21	97021-08065-00	BOLT	2	
22	92990-08100-00	WASHER	2	
23	92990-08600-00	WASHER, PLATE	2	
24	91401-30030-00	PIN, COTTER	1	
25	90170-20211-00	NUT	1	
26	90208-20008-00	WASHER, CONICAL SPRING ..	1	
27	8K4-47558-00-00	RING, HOUSING	1	
28	8K4-47543-00-00	CAP, HOUSING	1	

CONTINUED ON NEXT FRAME ►

Property of www.SmallEngineDiscount.com - Not for Resale

TRACK DRIVE 2



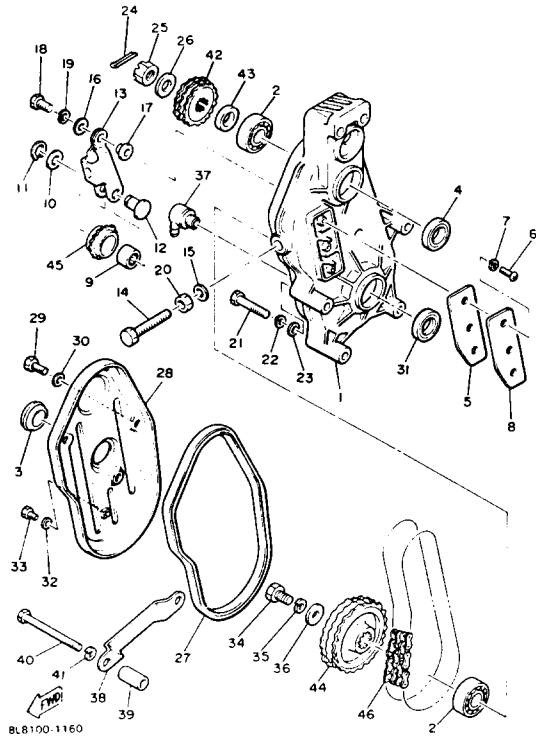
8L8100-1160

Ref. No.	Part Number	Description	Qty	Remarks
29	97022-08016-00	BOLT	3	
30	90210-08002-00	WASHER, SEAL	3	
31	93102-25081-00	OIL SEAL	1	
32	90210-06006-00	WASHER, SEAL	1	
33	97011-06010-00	BOLT	1	
34	97011-10025-00	BOLT	1	
35	92990-10100-00	WASHER, SPRING	1	
36	90201-10742-00	WASHER, PLATE	1	
37	8E4-24461-00-00	PIPE, JOINT	1	
38	8K4-47565-00-00	STAY 1	1	
39	90387-101A1-00	COLLAR	2	
40	97023-08090-00	BOLT (97321-08090)	2	
41	92990-08100-00	WASHER	2	
42	829-17682-00-00	SPRKT, CHAIN DR 20T (20T) ..	1	Alt. Part
	829-17682-50-00	SPRKT, CHAIN DR 15T (878-17682-50) (15T)	1	Alt. Part
	829-17682-60-00	SPRKT, CHAIN DR 16T (16T) ..	1	Alt. Part
	829-17682-70-00	SPRKT, CHAIN DR 17T (17T) ..	1	U.R. Std
	829-17682-80-00	SPRKT, CHAIN DR 18T (18T) ..	1	Alt. Part
	829-17682-90-00	SPRKT, CHAIN DR 19T (878-17682-90) (19T)	1	Alt. Part
	8U9-17693-10-00	SPROCKET, CHAIN DR (878-17693-10) (21T)	1	Alt. Part
	8U9-17693-20-00	SPROCKET, CHAIN DR (878-17693-20) (22T)	1	Alt. Part
43	90387-25798-00	COLLAR	1	
44	878-47548-90-00	SPROCKET, CHN DRVN (29T) .	1	U.R. Std
	8U9-47587-00-00	SPROCKET, CHN DRVN (31T) .	1	Alt. Part
	8U9-47587-10-00	SPROCKET, CHN DRVN (888-47587-00) (33T)	1	Alt. Part

CONTINUED ON NEXT FRAME ➤

Property of www.SmallEngineDiscount.com - Not for Resale

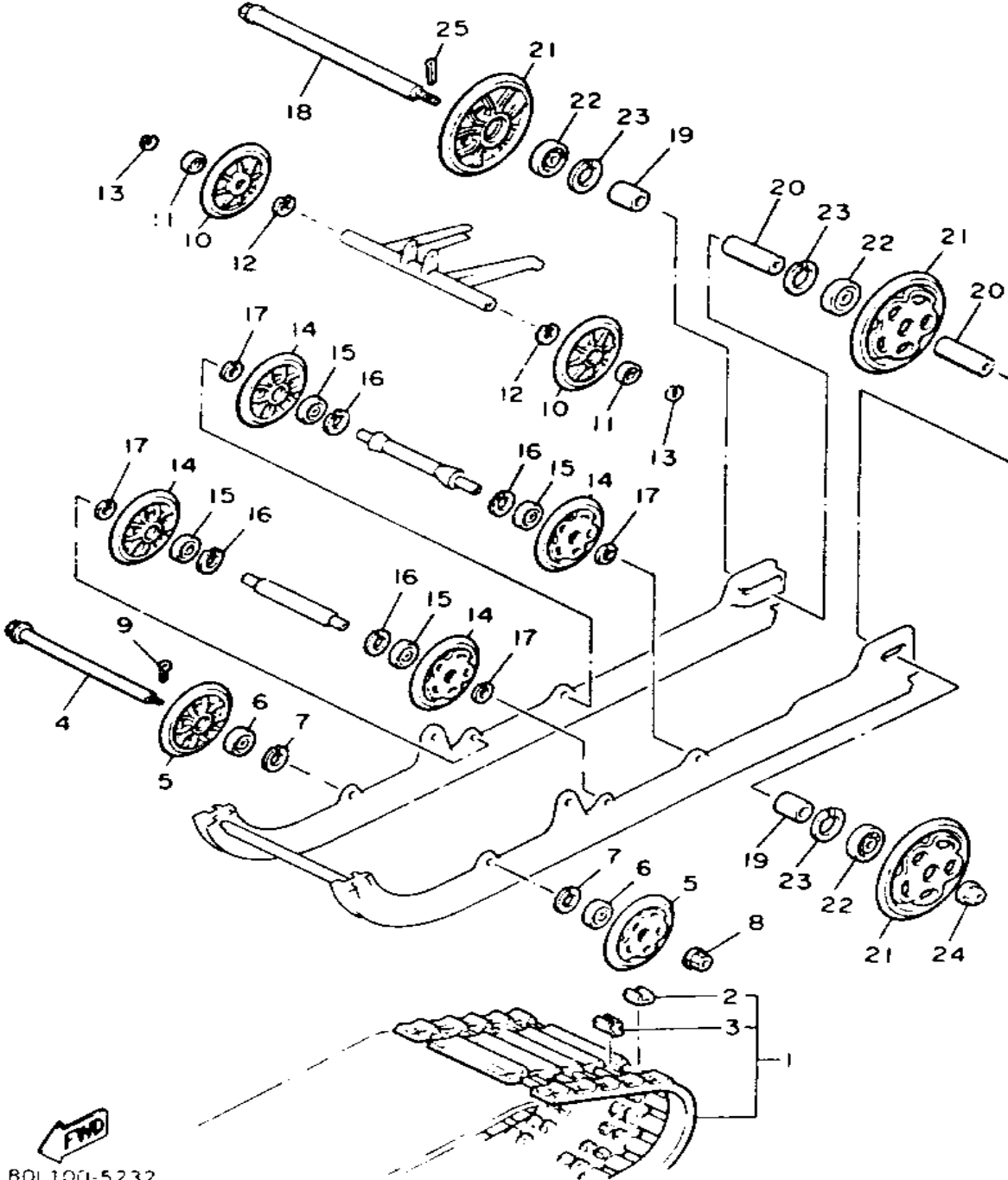
TRACK DRIVE 2



Ref. No.	Part Number	Description	Qty	Remarks
44	8U9-47587-30-00	SPROCKET, CHN DRVN (878-47587-20) (35T)	1	Alt. Part
45	8L0-47612-00-00	WHEEL	1	
46	94890-05064-00	CHAIN	1	U.R. Std
	94890-05066-00	CHAIN	1	Alt. Part
	94890-05068-00	CHAIN	1	Alt. Part

Property of www.SmallEngineDiscount.com - Not for Resale

TRACK SUSPENSION

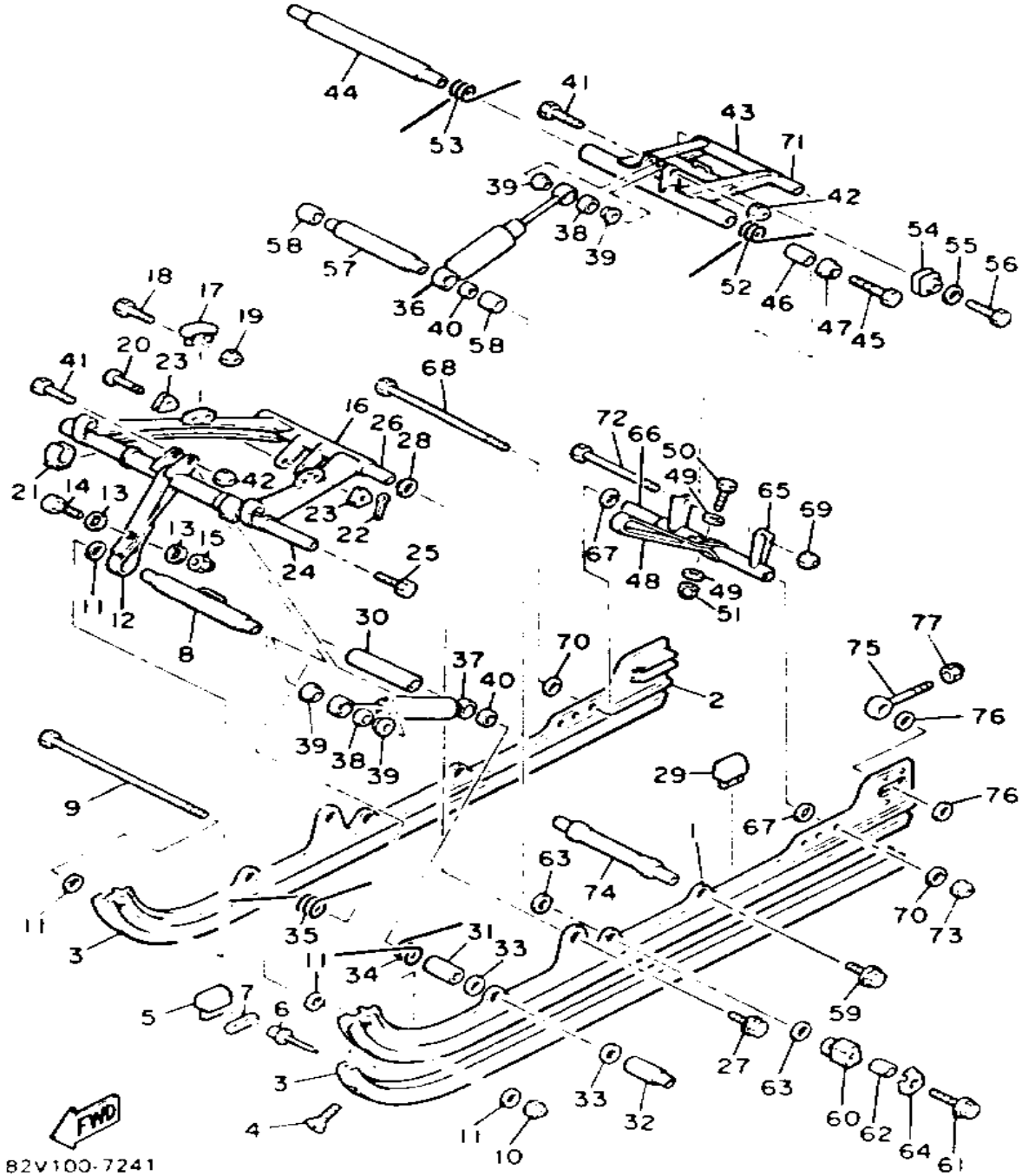


BOL 100-5232

Ref. No.	Part Number	Description	Qty	Remarks
1	87F-47110-00-00	TRACK ASSEMBLY	1	
2	8A5-47113-00-00	. PLATE, REINFORCEMENT	48	
3	8G9-47115-00-00	. METAL, SLIDE	48	
4	90891-50061-00	SHAFT 5 (80X-47487-00-00)	1	
5	87M-47320-00-00	SUSPENSION WHEEL COMP.	2	
6	93306-00441-00	BEARING (89A) (B6004RS)	2	
7	99009-42500-00	CIRCLIP	2	
8	95601-14200-00	NUT, U	1	
9	91401-30030-00	PIN, COTTER	1	
10	885-47320-01-00	SUSPENSION WHEEL COMP.	2	
11	93306-00416-00	BEARING (B6004RS)	2	
12	99009-42500-00	CIRCLIP	2	
13	99009-20400-00	CIRCLIP	2	
14	87M-47320-00-00	SUSPENSION WHEEL COMP.	4	
15	93306-00416-00	BEARING (B6004RS)	2	
16	99009-42500-00	CIRCLIP	2	
17	99009-20400-00	CIRCLIP	4	
18	8L8-47520-01-00	REAR AXLE COMP. (8L8-47520-02-00)	1	
19	90387-202H9-00	COLLAR	2	
20	90387-203H0-00	COLLAR	2	
21	8K2-47530-00-00	GUIDE WHEEL COMP.	3	
22	93306-20417-00	BEARING (B62042RS)	3	
23	99009-47500-00	CIRCLIP	3	
24	95601-14200-00	NUT, U	1	
25	91401-30030-00	PIN, COTTER	1	

Property of www.SmallEngineDiscount.com - Not for Resale

TRACK SUSPENSION 2



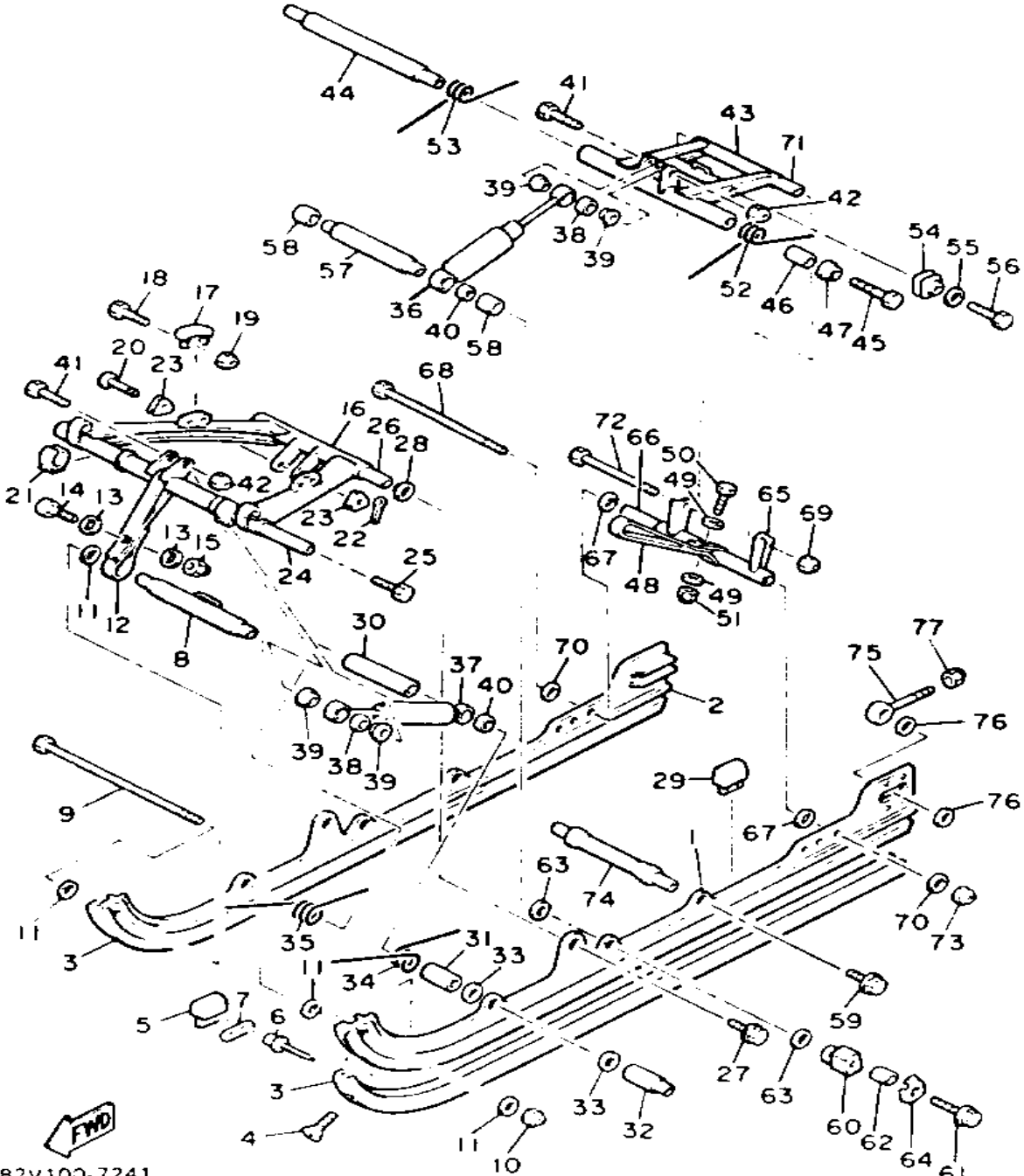
82V100-7241

Ref. No.	Part Number	Description	Qty	Remarks
1	83W-47411-00-00	FRAME, sliding 1	1	
2	83W-47412-00-00	FRAME, sliding 2	1	
3	8Y7-47421-00-XX	RUNNER, SLIDING	2	
4	90151-06010-00	SCREW, COUNTERSUNK	2	
5	8V0-47456-00-00	DAMPER 1	2	
6	90267-48062-00	RIVET, BLIND	8	
7	8K2-47458-01-00	PLATE, DAMPER	8	
8	8V0-47415-00-00	BRACKET 1	1	
9	97022-08255-00	BOLT	1	
10	95712-08300-00	NUT, LOCK	1	
11	92990-08600-00	WASHER, PLATE	4	
12	8V0-47495-00-00	STOPPER 1	1	
13	90201-06407-00	WASHER, PLATE (90201-06747-00)	2	
14	97011-06025-00	BOLT (97001-06025)	1	
15	95701-06300-00	NUT, NYLON	1	
16	8V0-47331-01-00	ARM, PIVOT 1	1	
17	8F3-47422-01-00	RUNNER, SLIDING 2	2	
18	97011-06025-00	BOLT (97001-06025)	4	
19	95701-06300-00	NUT, NYLON	4	
20	90240-12136-00	PIN, CLEVIS	1	
21	8V0-47447-01-00	HOOK 2	2	
22	91401-30030-00	PIN, COTTER	1	
23	8V0-47448-00-00	HOOK 3	2	
24	8A5-47465-02-00	SHAFT 1	1	
25	90109-106A2-00	BOLT	2	
26	8K2-47485-00-00	SHAFT 3	1	
27	95811-10030-00	BOLT, FLANGE	2	
28	90387-105G6-00	COLLAR	2	

CONTINUED ON NEXT FRAME ►

Property of www.SmallEngineDiscount.com - Not for Resale

TRACK SUSPENSION 2



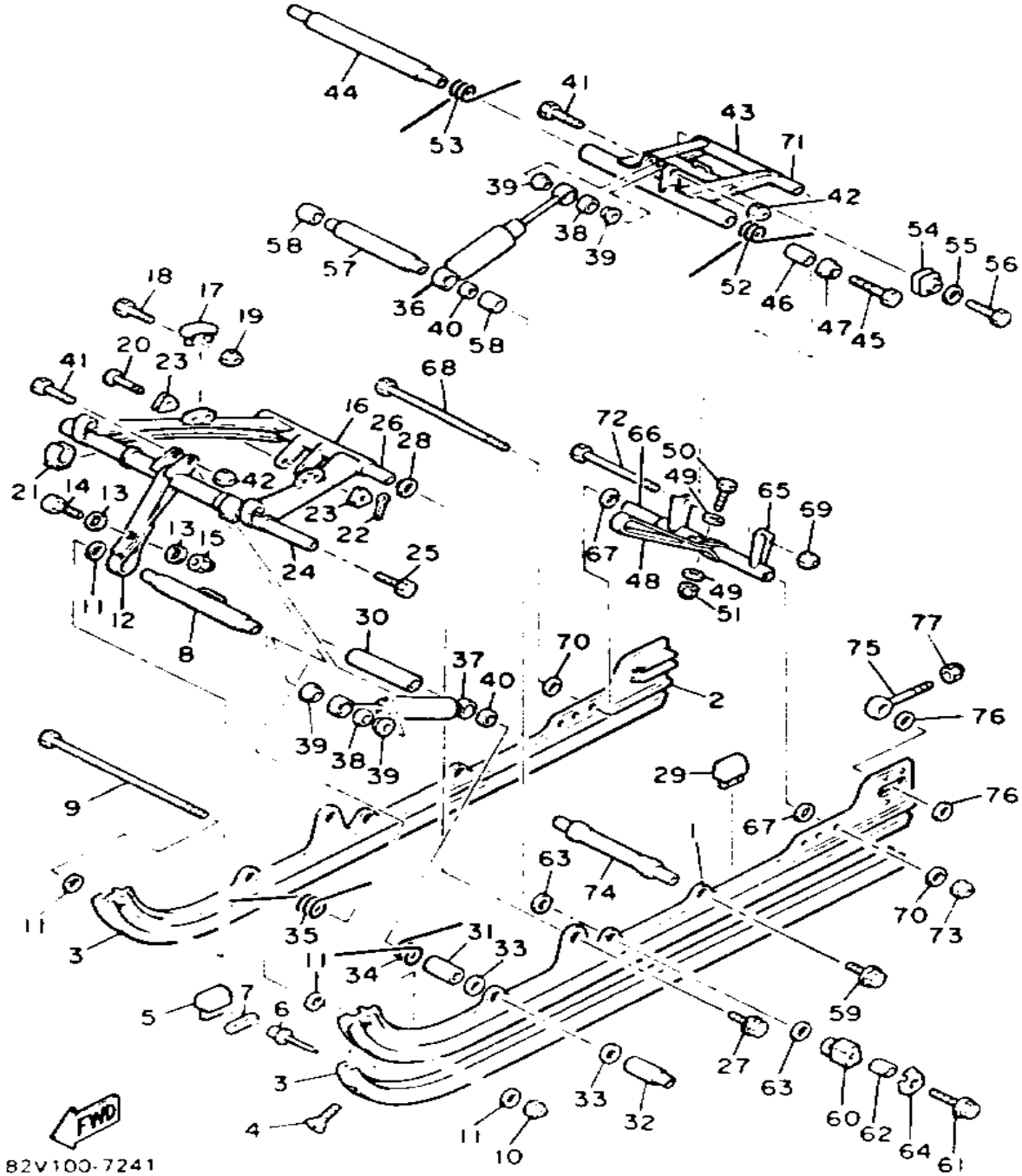
82V100-7241

Ref. No.	Part Number	Description	Qty	Remarks
29	8V0-47456-00-00	DAMPER 1	2	
30	90387-160M7-00	COLLAR	1	
31	8V0-47319-00-00	COLLAR	2	
32	90387-166M8-00	COLLAR	2	
33	90201-161E5-00	WASHER, PLATE	4	
34	90508-75651-00	SPRING, TORSION	1	
35	90508-75652-00	SPRING, TORSION	1	
36	80L-47480-00-00	SHOCK ABSORBER	1	
37	80L-47481-00-00	SHOCK ABSORBER 2	1	
38	90387-084J8-00	COLLAR	2	
39	90387-123G4-00	COLLAR	4	
40	8V0-47371-00-00	BUSH, PIVOT	2	
41	97313-08045-00	BOLT	2	
42	95712-08300-00	NUT, LOCK	2	
43	8V0-47332-00-00	ARM, PIVOT 2	1	
44	8K2-47475-00-00	SHAFT 2	1	
45	90109-106A2-00	BOLT	2	
46	8V0-47365-00-00	COLLAR 1	2	
47	8V0-47384-00-00	WASHER	2	
48	8V0-47496-00-00	STOPPER 2	1	
49	90201-06407-00	WASHER, PLATE (90201-06747-00)	2	
50	97011-06025-00	BOLT (97001-06025)	1	
51	95701-06300-00	NUT, NYLON	1	
52	8Y7-47473-00-00	SPRING, REAR, 1	1	
53	8Y7-47474-00-00	SPRING, REAR, 2	1	
54	86S-47446-01-00	HOOK 1	2	
55	90201-06057-00	WASHER, PLATE	2	
56	97313-06016-00	BOLT, HEXAGON	2	

CONTINUED ON NEXT FRAME ►

Property of www.SmallEngineDiscount.com - Not for Resale

TRACK SUSPENSION 2

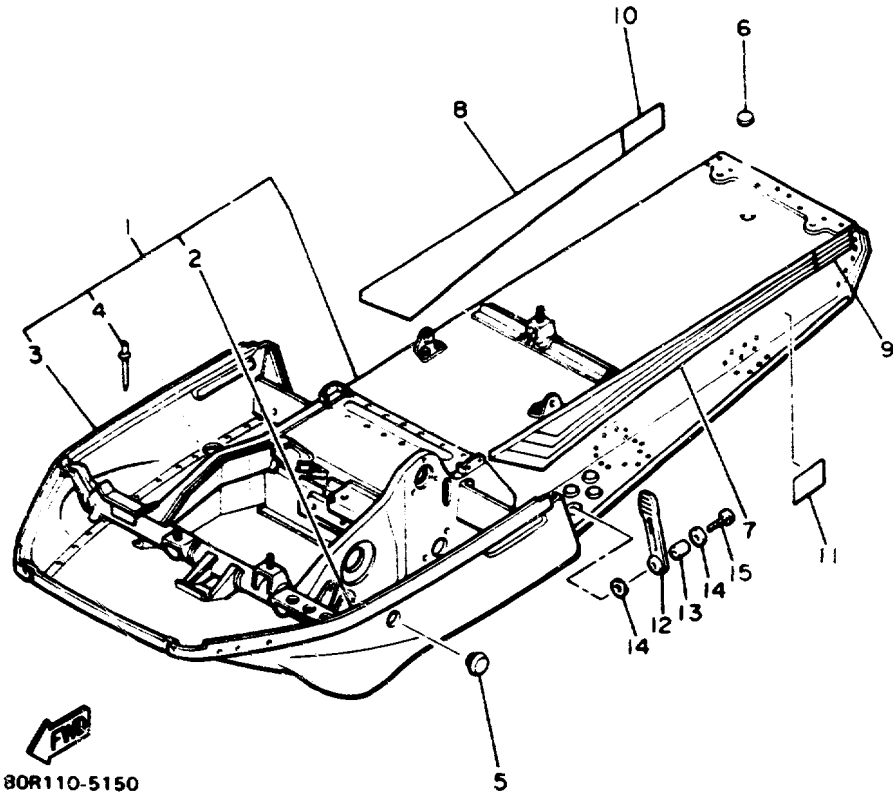


82V100-7241

Ref. No.	Part Number	Description	Qty	Remarks
57	84J-47486-00-00	SHAFT 4	1	
58	8V0-47338-00-00	COLLAR	2	
59	95821-08020-00	BOLT, FLANGE (95801-08020)	2	
60	85K-47447-01-00	HOOK 2	2	
61	95811-10060-00	BOLT, FLANGE	2	
62	90387-103U7-00	COLLAR	2	
63	90201-100L3-00	WASHER, PLATE	4	
64	84J-47467-00-00	PLATE, GUIDE	2	
65	8V0-47417-00-00	BRACKET 3	1	
66	90387-08632-00	COLLAR	1	
67	90201-08649-00	WASHER, PLATE	2	
68	97022-08255-00	BOLT	1	
69	95712-08300-00	NUT, LOCK	1	
70	92990-08600-00	WASHER, PLATE	2	
71	90387-084J9-00	COLLAR	1	
72	97022-08165-00	BOLT	1	
73	95712-08300-00	NUT, LOCK	1	
74	8V0-47488-00-00	SHAFT 6	1	
75	8K2-47479-01-00	COLLAR 3	2	
76	90201-20279-00	WASHER, PLATE	4	
77	95701-10300-00	NUT, FLANGE (95702-10300)	2	

Property of www.SmallEngineDiscount.com - Not for Resale

FRAME

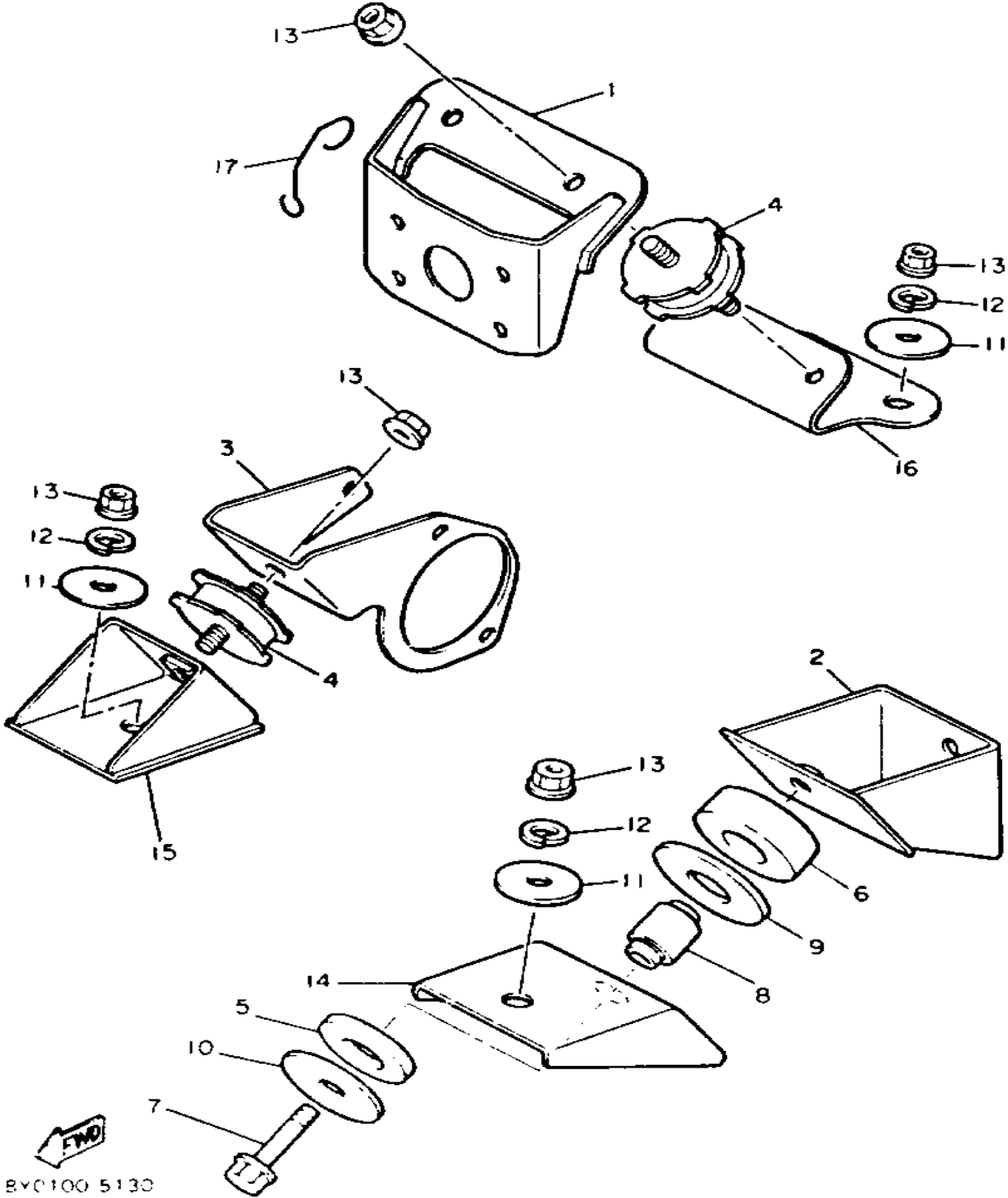


80R110-5150

Ref. No.	Part Number	Description	Qty	Remarks
1	83W-21910-00-00	FRAME COMP	1	
2	81R-21982-00-00	. HOOD 1	1	
3	81R-21983-00-00	. HOOD 2	1	
4	90267-48053-00	. RIVET, BLIND	75	
5	90338-40099-00	PLUG	1	
6	810-77716-00-00	ORNAMENT, INSTRUMENT PANEL 2	1	
7	83W-77352-00-00	EMBLEM 2	1	
8	83W-77353-00-00	EMBLEM 3	1	
9	83W-77354-00-00	EMBLEM 4	1	
10	83W-77355-00-00	EMBLEM 5	1	
11	8K2-77742-00-00	INDICATOR 2	1	
12	8M6-77171-00-00	BODY, LATCH 1	2	
13	90387-06241-00	COLLAR	2	
14	90201-06059-00	WASHER, PLATE	4	
15	98906-06025-00	SCREW, BIND	2	

Property of www.SmallEngineDiscount.com - Not for Resale

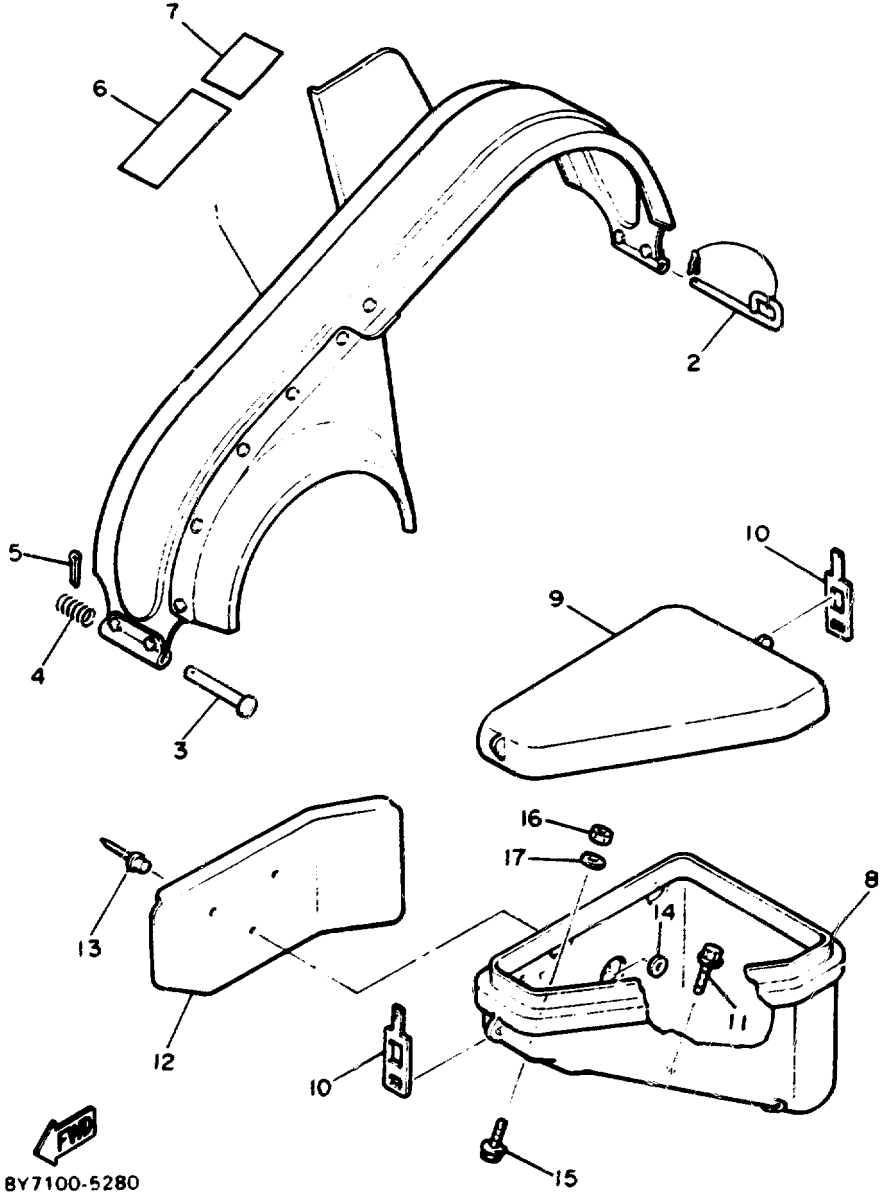
ENGINE BRACKET



Ref. No.	Part Number	Description	Qty	Remarks
1	8K4-21411-00-00	BRACKET, ENGINE 1	1	
2	8V9-21419-00-00	BRACKET, ENGINE 2	1	
3	8K4-21429-00-00	BRACKET, ENGINE 3	1	
4	8N8-21486-00-00	DAMPER 2	3	
5	8V9-21486-00-00	DAMPER 2	1	
6	8V9-21485-00-00	DAMPER, RUBBER 1	1	
7	95811-10045-00	BOLT, FLANGE	1	
8	90380-10129-00	BUSH, SOLID	1	
9	90201-257G7-00	WASHER, PLATE	1	
10	90201-107G8-00	WASHER, PLATE	1	
11	90201-10321-00	WASHER, PLATE	4	
12	92990-10100-00	WASHER, SPRING	4	
13	95701-10500-00	NUT, FLANGE (95702-10500)	7	
14	8V9-21417-00-00	BRACKET, FRT LWR 1LOWER 1	1	
15	8H8-21418-01-00	BRACKET, FRONT LOWER 2	1	
16	8K4-21427-00-00	BRACKET, REAR LWR 1	1	
17	90464-16039-00	CLAMP	1	

Property of www.SmallEngineDiscount.com - Not for Resale

GAURD LUGGAGE BOX

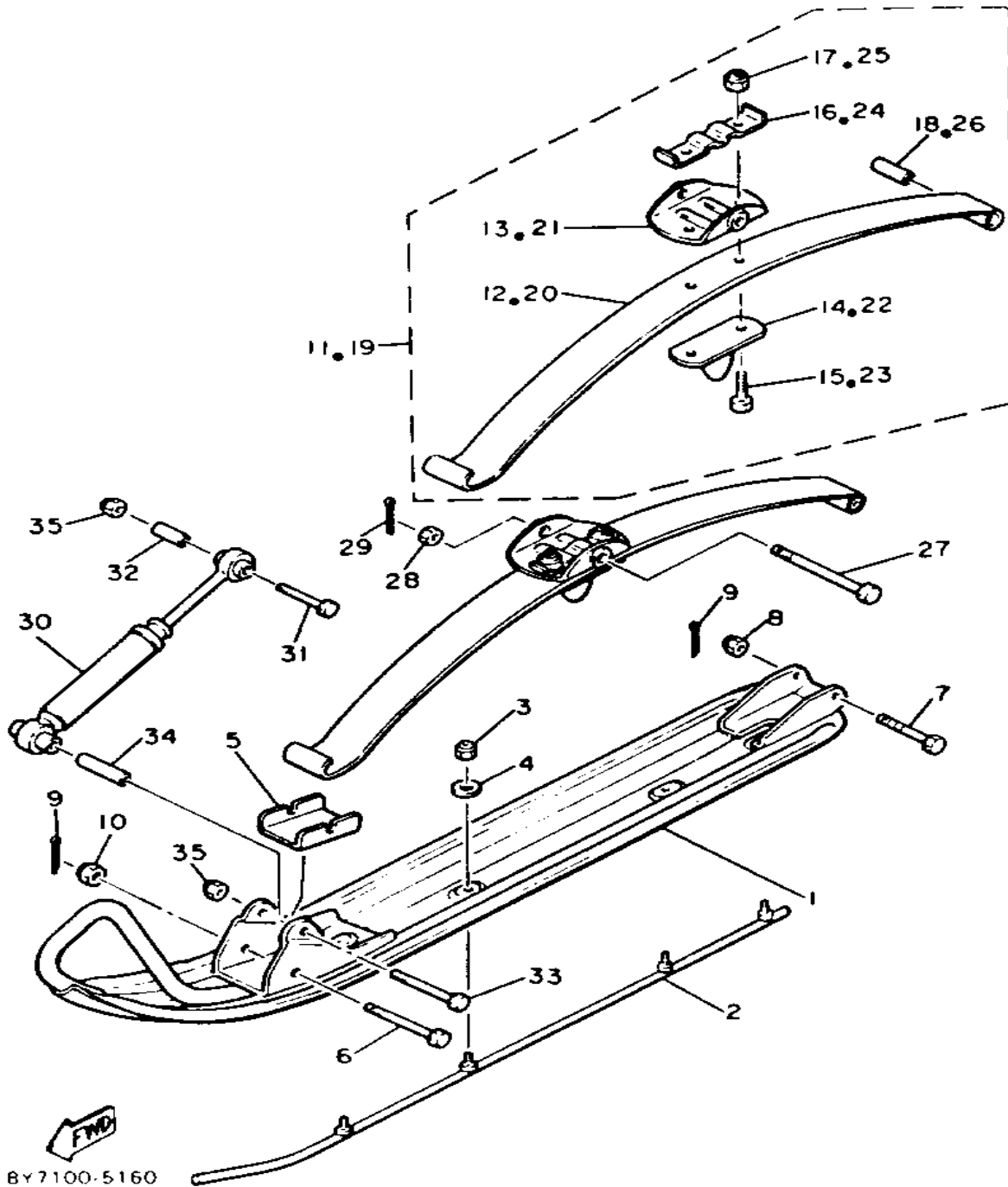


BY7100-5280

Ref. No.	Part Number	Description	Qty	Remarks
1	8R6-77311-02-00	GUARD, DRIVE	1	
2	8F3-77327-00-00	SHAFT	1	
3	91701-06082-00	PIN, CLEVIS	1	
4	90501-08661-00	SPRING, COMPRESSION	1	
5	90468-18008-00	CLIP	1	
6	8R6-77762-00-00	LABEL, WARNING 2	1	
7	8R6-77761-00-00	LABEL, WARNING 1	1	
8	8H8-77381-00-00	BOX, TOOL	1	
9	8H8-77382-00-00	LID, TOOL BOX	1	
10	J10-14436-00-00	HOOK	2	
11	90119-06088-00	BOLT, WITH WASHER	2	
12	8Y7-77373-00-00	PROTECTOR	1	
13	90267-48078-00	RIVET, BLIND	3	
14	90201-04325-00	WASHER, PLATE	3	
15	90119-06043-00	BOLT, WITH WASHER	1	
16	95706-06500-00	NUT, FLANGE	1	
17	90201-062A8-00	WASHER, PLATE	1	

Property of www.SmallEngineDiscount.com - Not for Resale

SKI



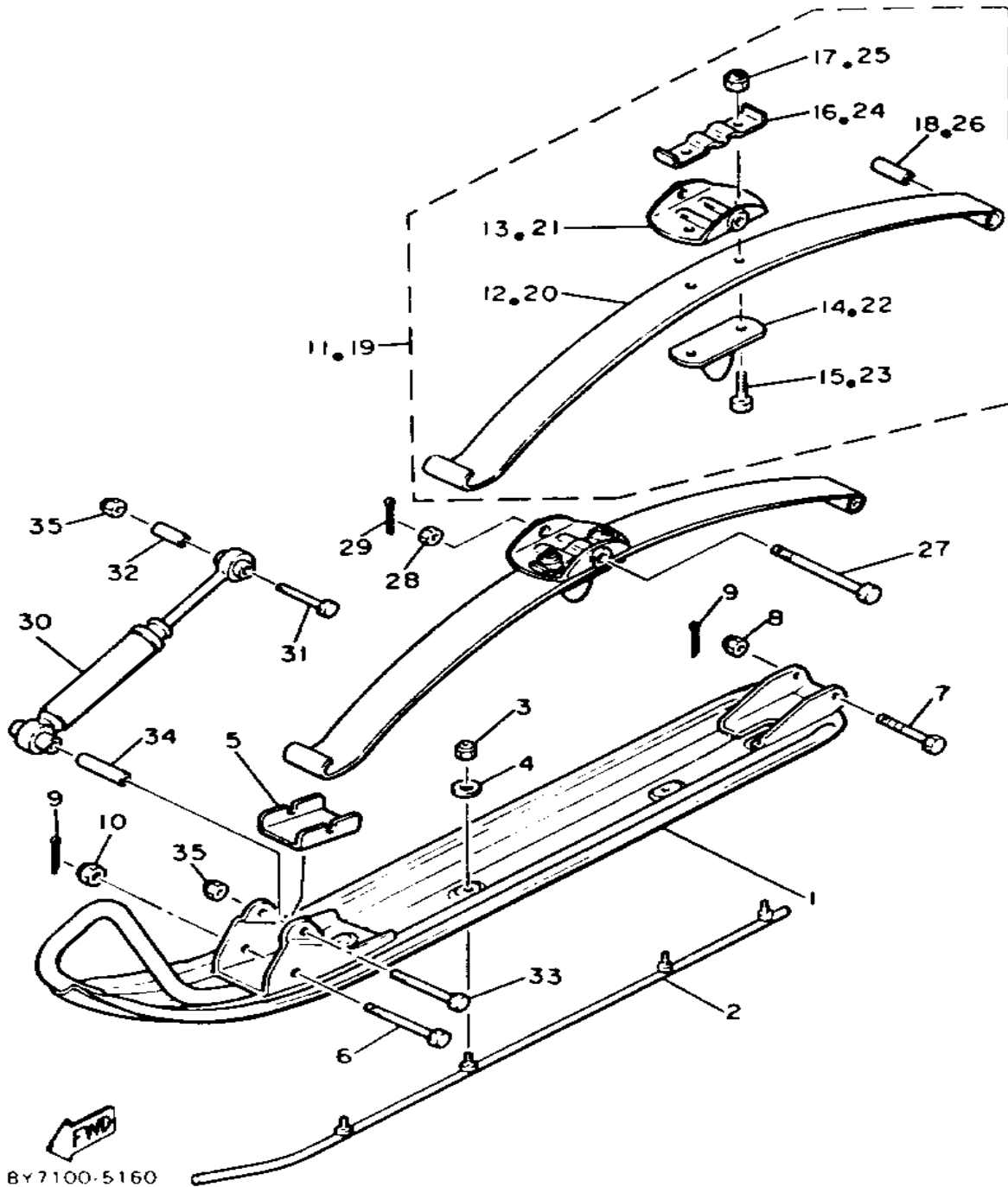
BY 7100-5160

Ref. No.	Part Number	Description	Qty	Remarks
1	8Y7-23710-00-00	SKI 1	2	
2	VMX-23731-01-XX	RUNNER 1 (8M6-23731-01-00)	2	
3	95611-08100-00	NUT, U	8	
4	92990-08600-00	WASHER, PLATE	8	
5	8K4-23735-00-00	PLATE, WEAR 1	2	
6	90102-08028-00	BOLT, WITH HOLE	2	
7	90102-08027-00	BOLT, WITH HOLE	2	
8	95716-08300-00	NUT, FLANGE	2	
9	91490-20020-00	PIN, COTTER	4	
10	95616-08100-00	NUT, U	2	
11	8K4-23760-01-00	SPRING ASSEMBLY 1	1	
12	8K4-23761-00-00	. LEAF 1	1	
13	8K4-23766-00-00	. SADDLE 1	1	
14	878-23768-00-00	. SEAT, SPRING 1	1	
15	90109-105E7-00	. BOLT	2	
16	90215-10155-00	. WASHER, LOCK	1	
17	90185-10085-00	. NUT, SELF-LOCKING	2	
18	90387-08478-00	. COLLAR	1	
19	8K4-23770-01-00	SPRING ASSEMBLY 2	1	
20	8K4-23761-00-00	. LEAF 1	1	
21	8K4-23766-00-00	. SADDLE 1	1	
22	878-23768-00-00	. SEAT, SPRING 1	1	
23	90109-105E7-00	. BOLT	2	
24	90215-10155-00	. WASHER, LOCK	1	
25	90185-10085-00	. NUT, SELF-LOCKING	2	
26	90387-08478-00	. COLLAR	1	
27	90102-12036-00	BOLT, WITH HOLE	2	
28	90171-12040-00	NUT, CASTLE	2	
29	91401-30030-00	PIN, COTTER	2	

CONTINUED ON NEXT FRAME ➤

Property of www.SmallEngineDiscount.com - Not for Resale

SKI

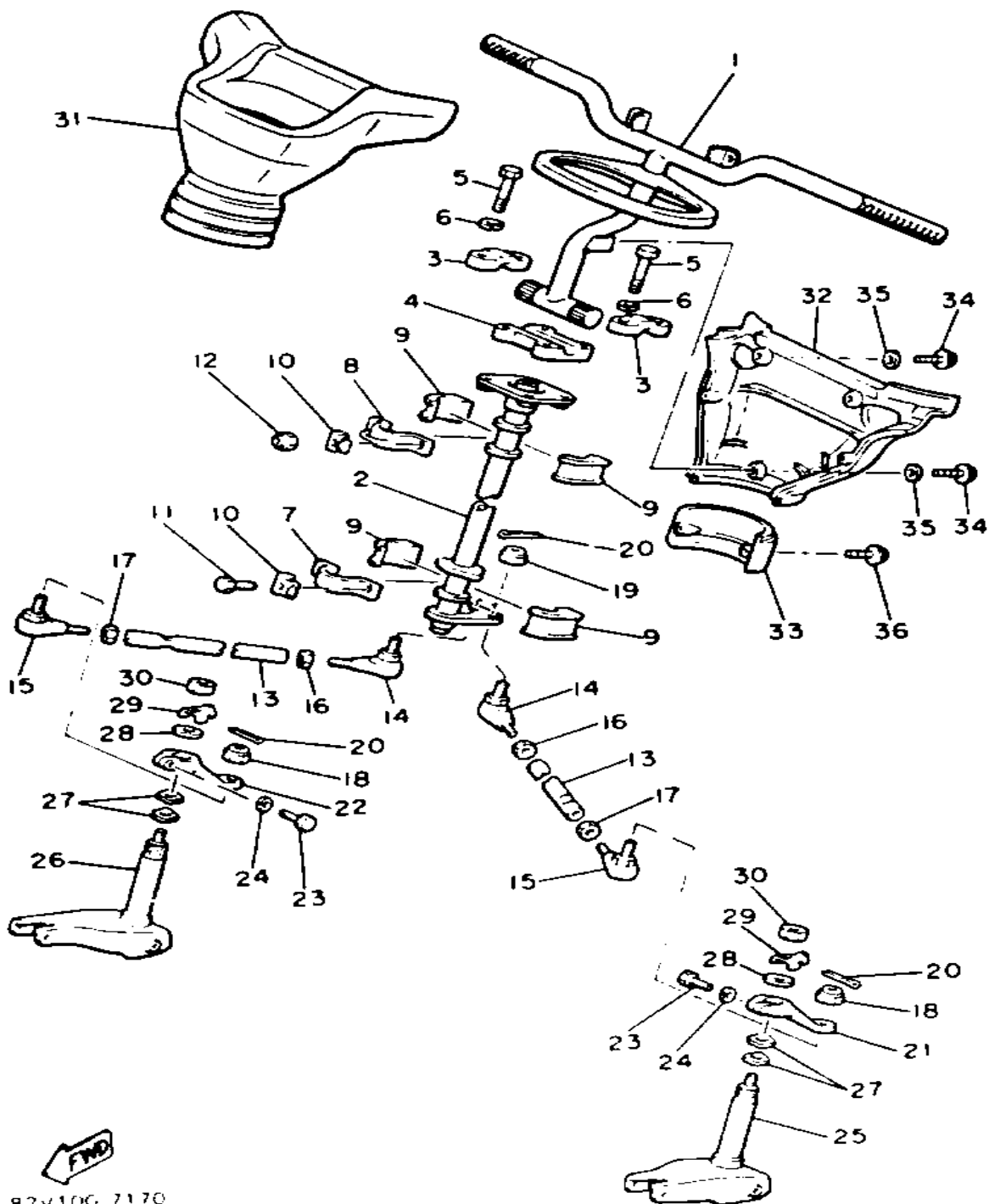


BY 7100-5160

Ref. No.	Part Number	Description	Qty	Remarks
30	8V8-23350-00-00	SHOCK ABSORBER ASSEMBLY	2	
31	97026-08055-00	BOLT	2	
32	90387-08262-00	COLLAR	2	
33	97026-08075-00	BOLT (97326-08075)	2	
34	90387-08224-00	COLLAR	2	
35	95716-08300-00	NUT, FLANGE	4	

Property of www.SmallEngineDiscount.com - Not for Resale

STEERING



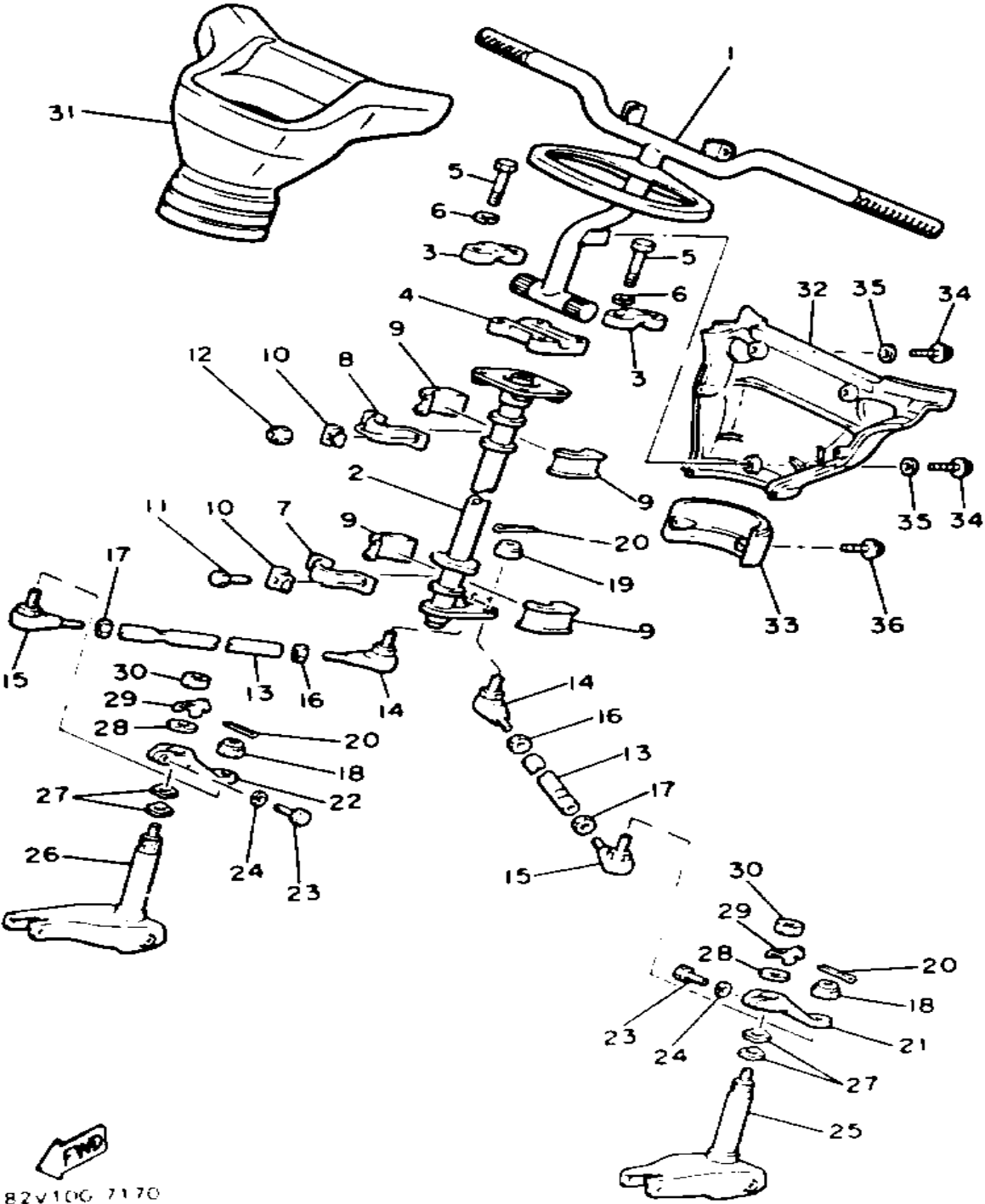
82V10G 7170

Ref. No.	Part Number	Description	Qty	Remarks
1	81R-23811-00-00	COLUMN, STEERING	1	
2	81R-23813-00-00	COLUMN, STEERING 2	1	
3	1E6-23441-00-00	HOLDER, HANDLE UPR	2	
4	164-23441-00-98	HOLDER, HANDLE UPPER	1	
5	97022-08055-00	BOLT	4	
6	92990-08100-00	WASHER	4	
7	84M-23868-00-00	BRACKET, STEERING LOWER	1	
8	84M-23872-00-00	HOLDER, BEARING	1	
9	8F3-23812-00-00	PLANE BEARING, STEERING	4	
10	90215-08262-00	WASHER, LOCK	4	
11	97022-08016-00	BOLT	2	
12	95712-08300-00	NUT, LOCK	2	
13	8K4-23821-00-00	ROD, STEERING RELAY	1	
14	86X-23841-00-00	JOINT, UNIVERSAL 1	1	
15	86X-23845-00-00	JOINT, UNIVERSAL 2	1	
16	95303-10700-00	NUT	1	
17	90170-10186-00	NUT	1	
18	95701-10300-00	NUT, FLANGE (95702-10300)	2	
19	90185-10085-00	NUT, SELF-LOCKING	2	
20	91402-25018-00	PIN, COTTER	4	
21	8K4-23851-00-00	ARM, OUTSIDE 1	1	
22	8K4-23852-00-00	ARM, OUTSIDE 2	1	
23	97001-08025-00	BOLT (1NV)	2	
24	92990-08100-00	WASHER	2	
25	8L8-23853-00-00	COLUMN, SKI 1	1	
26	8L8-23854-00-00	COLUMN, SKI 2	1	
27	90206-20037-00	WASHER, WAVE	4	
28	90201-10752-00	WASHER, PLATE	2	
29	90215-10096-00	WASHER, LOCK	2	

CONTINUED ON NEXT FRAME ►

Property of www.SmallEngineDiscount.com - Not for Resale

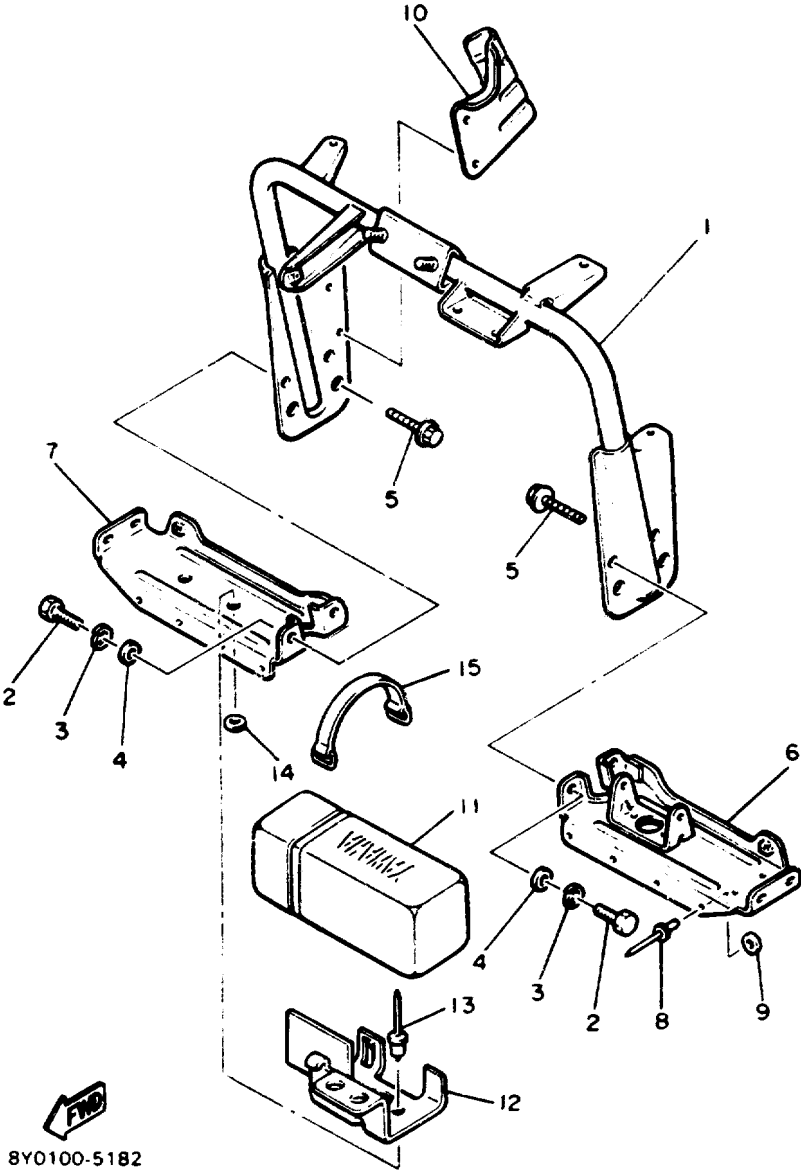
STEERING



Ref. No.	Part Number	Description	Qty	Remarks
30	95303-10600-00	NUT (95301-10600)	2	
31	8L8-23815-01-00	PAD, STEERING	1	
32	8L8-23817-02-00	PAD, STEERING	1	
33	8Y0-23818-00-00	COVER, STEERING	1	
34	90159-05096-00	SCREW, WITH WASHER	3	
35	90201-05721-00	WASHER, PLATE	3	
36	90159-04095-00	SCREW, WITH WASHER	4	

Property of www.SmallEngineDiscount.com - Not for Resale

STERRING

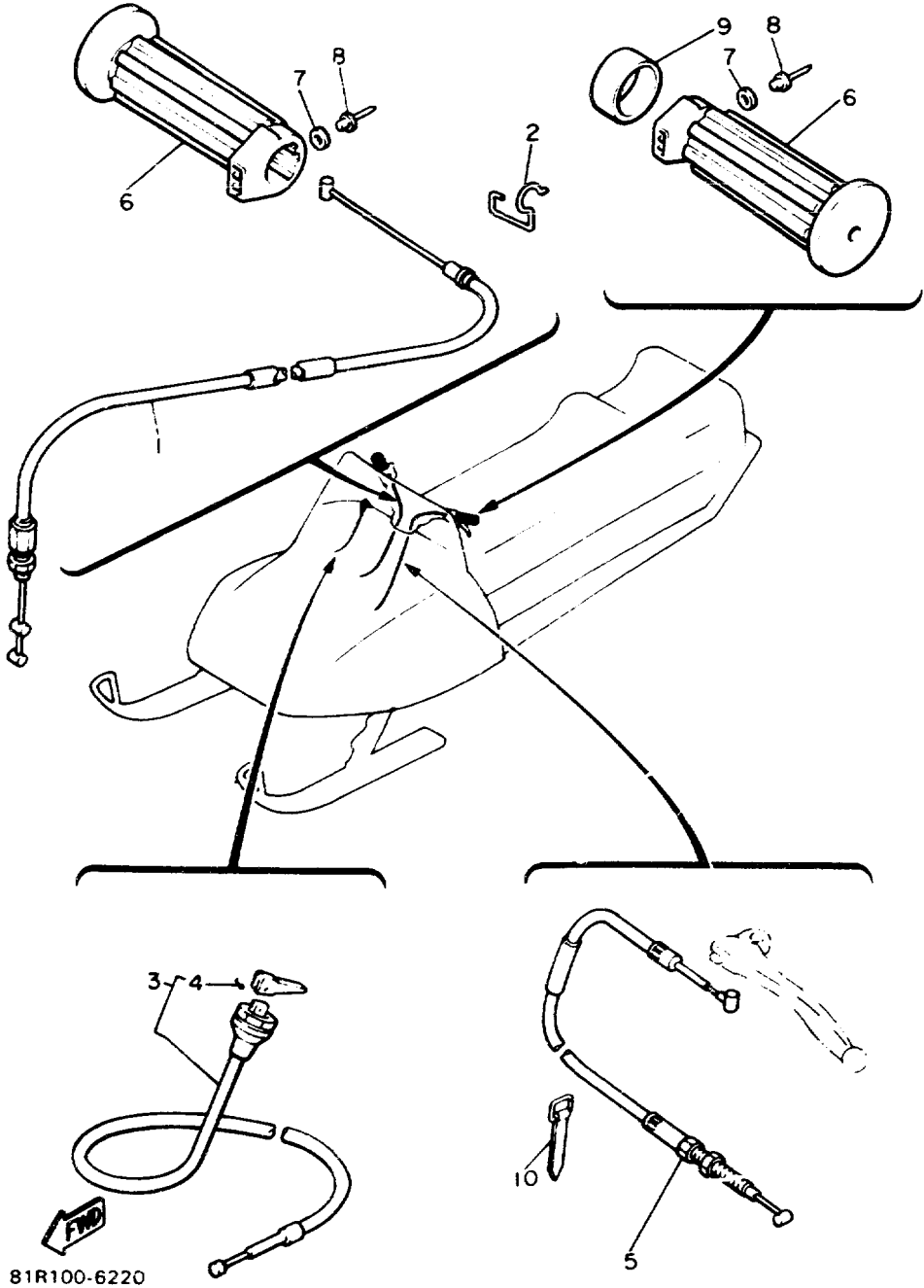


8Y0100-5182

Ref. No.	Part Number	Description	Qty	Remarks
1	8K4-23871-00-00	GATE, STEERING	1	
2	97313-06016-00	BOLT, HEXAGON	4	
3	92995-06100-00	WASHER, SPRING	4	
4	92901-06600-00	WASHER	4	
5	95816-08016-00	BOLT, FLANGE	4	
6	8L8-23883-00-00	BRACKET 3	1	
7	8L8-23884-00-00	BRACKET 4	1	
8	90267-48053-00	RIVET, BLIND	8	
9	90201-04325-00	WASHER, PLATE	8	
10	8K4-23886-00-00	BRACKET 6	1	
11	8U9-28100-00-00	TOOL KIT (8V9-28100-00)	1	
12	8U5-21945-00-00	BRACKET, TL BX FTNG (8N8-21945-01)	1	
13	90267-48079-00	RIVET, BLIND	2	
14	90201-04325-00	WASHER, PLATE	2	
15	4J2-82131-01-00	BAND, BATTERY	1	

Property of www.SmallEngineDiscount.com - Not for Resale

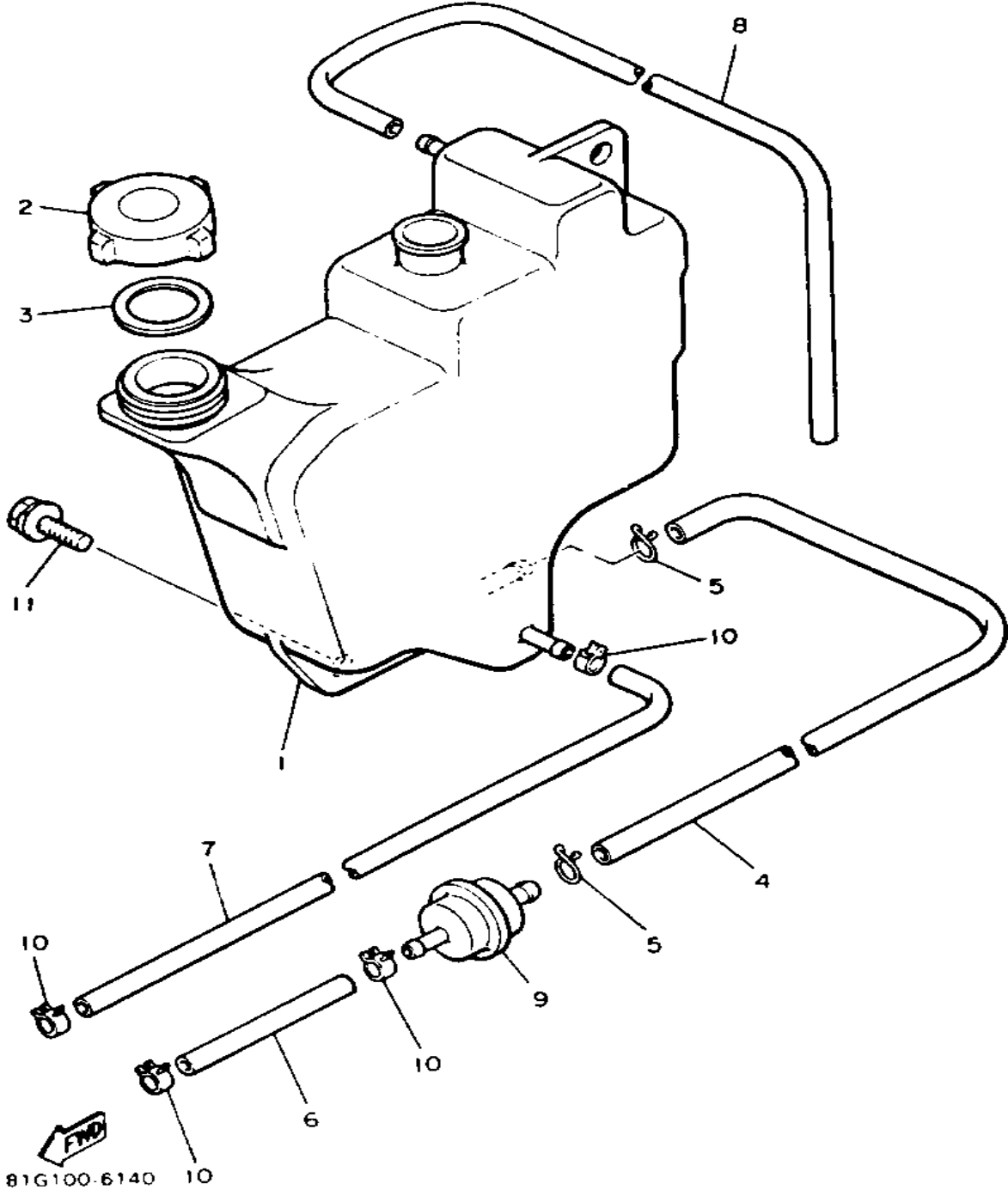
CONTROL - CABLE



Ref. No.	Part Number	Description	Qty	Remarks
1	8Y0-26311-00-00	CABLE, THROTTLE 1	1	
2	90465-10189-00	CLAMP	1	
3	8Y7-26331-00-00	CABLE, STARTER 1	1	
4	91609-30010-00	. PIN, SPRING	1	
5	8K4-26340-00-00	CABLE, BRAKE	1	
6	80K-2626A-00-00	GRIP, WARMER	2	
7	80Y-23843-00-00	WASHER, PLAIN	1	
8	90267-40076-00	RIVET, BLIND	2	
9	90387-22726-00	COLLAR	1	
10	341-26397-01-00	BAND	1	

Property of www.SmallEngineDiscount.com - Not for Resale

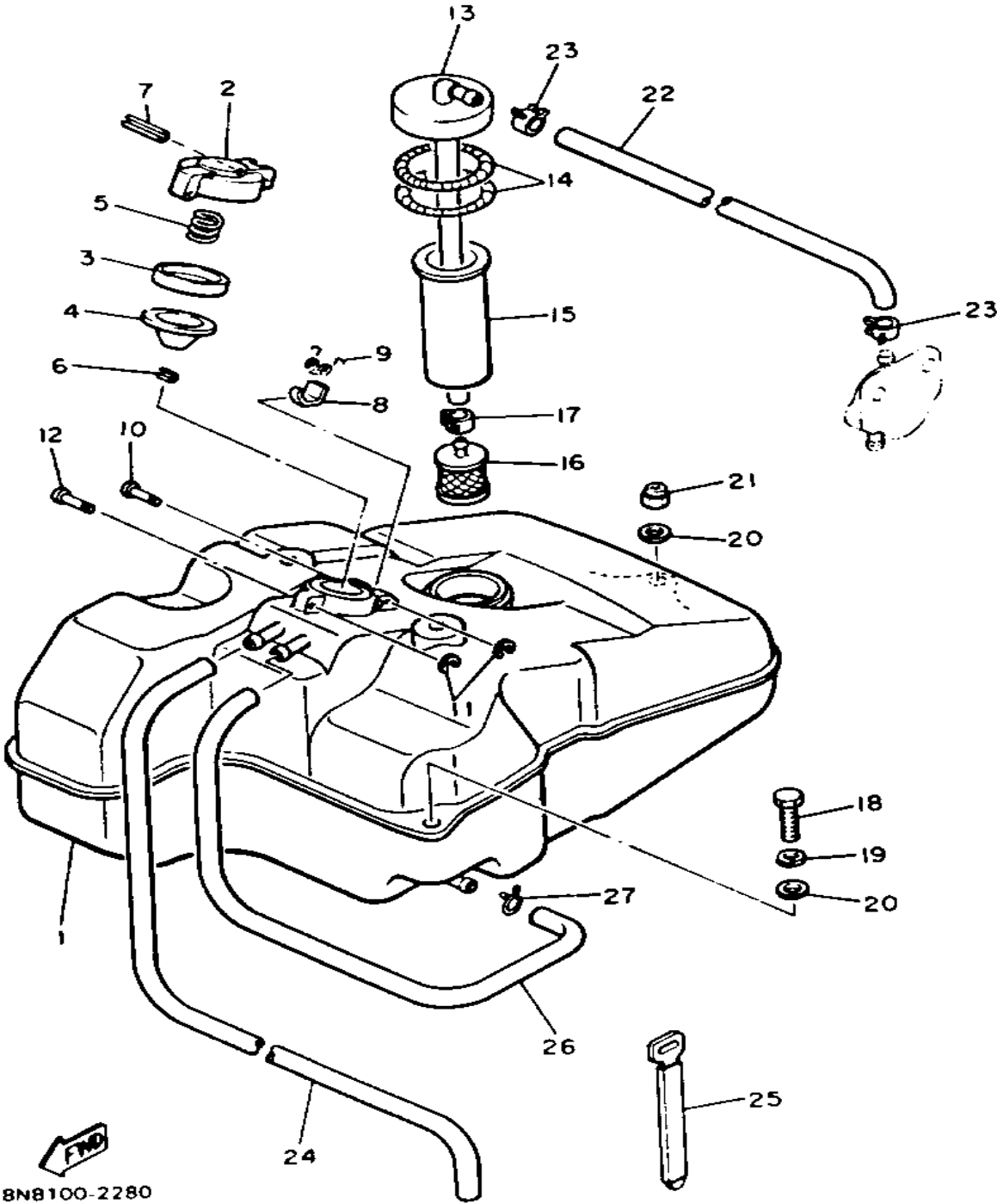
OIL TANK



Ref. No.	Part Number	Description	Qty	Remarks
1	86U-21751-00-00	TANK, OIL (8L8-21751-00)	1	
2	863-21771-00-00	BODY, CAP	1	
3	90430-31003-00	GASKET	1	
4	90446-11157-00	HOSE	1	
5	90467-11009-00	CLIP	2	
6	90446-09068-00	HOSE	1	
7	91A30-05045-00	TUBE, FLEXIBLE VINYL	1	
8	90446-09013-00	HOSE (90446-09079)	1	
9	8G8-13410-00-00	STRAINER HOUSING ASSEMBLY	1	
10	90467-09026-00	CLIP	4	
11	90119-06063-00	BOLT, WITH WASHER	2	

Property of www.SmallEngineDiscount.com - Not for Resale

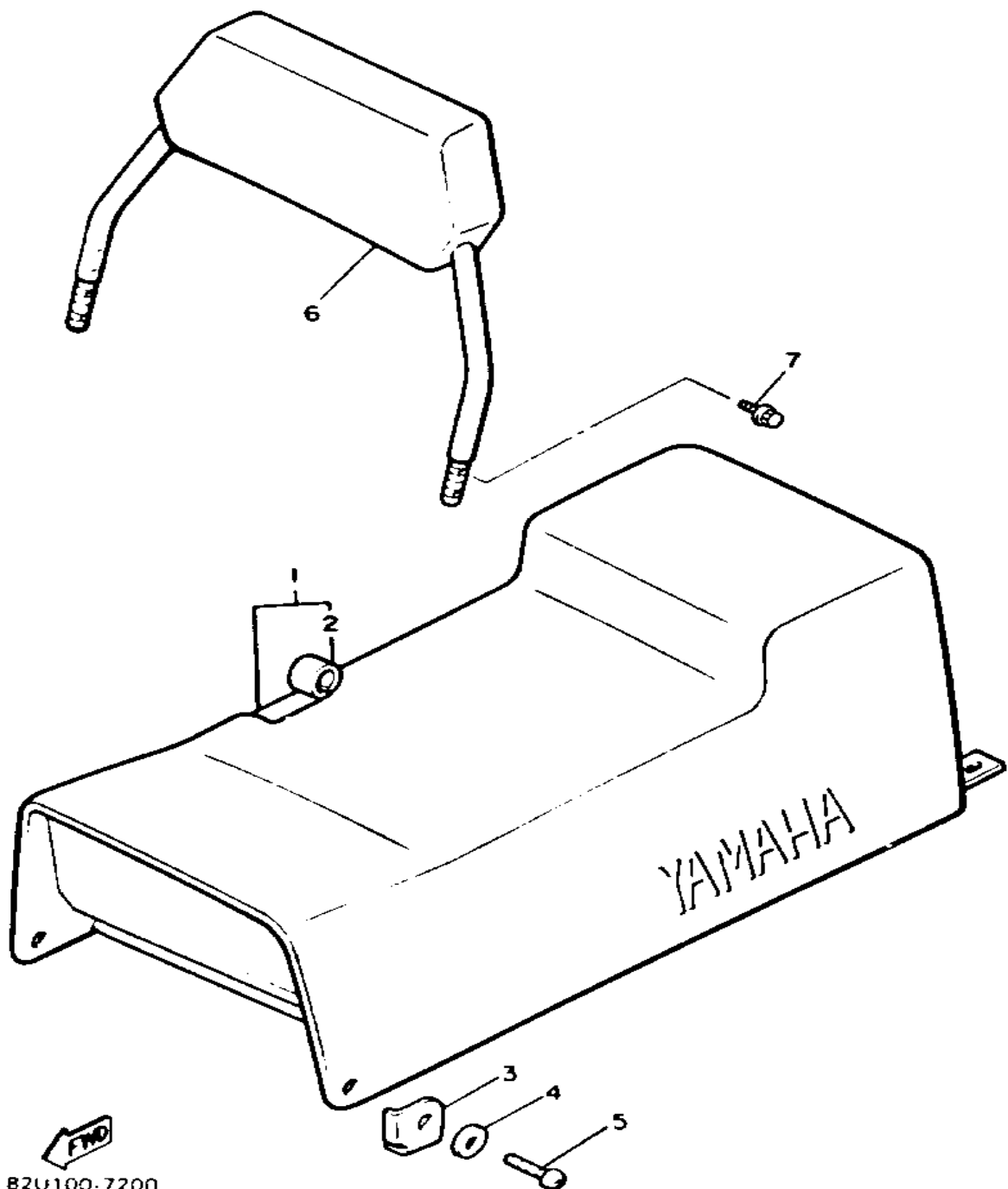
FUEL TANK



Ref. No.	Part Number	Description	Qty	Remarks
1	86P-24111-01-00	FUEL TANK (8K4-24111-01) ...	1	
2	813-24611-01-00	BODY, CAP	1	
3	813-24613-01-00	DISC, CAP	1	
4	8F7-24641-00-00	GASKET, CAP 1	1	
5	90501-20130-00	SPRING, COMPRESSION	1	
6	91609-30016-00	PIN, SPRING	1	
7	91609-25032-00	PIN, SPRING	1	
8	83M-24628-00-00	HOOK	1	
9	90508-10715-00	SPRING, TORSION	1	
10	90249-03017-00	PIN	1	
11	93430-02001-00	CIRCLIP	2	
12	90249-03016-00	PIN, SPEC'L SHAPE	1	
13	83R-24335-00-00	PIPE, SUCTION 1	1	
14	90506-06065-00	SPRING, TENSION	2	
15	8K4-24336-00-00	PIPE, SUCTION 2	1	
16	8H5-24560-00-00	FILTER ASSEMBLY	1	
17	90467-11028-00	CLIP	1	
18	97001-08025-00	BOLT (1NV)	2	
19	92990-08100-00	WASHER	2	
20	90201-087A9-00	WASHER, PLATE	3	
21	95712-08300-00	NUT, LOCK	1	
22	91A20-07070-00	HOSE	1	
23	90467-11028-00	CLIP	2	
24	90446-09155-00	HOSE	1	
25	341-26397-01-00	BAND	2	
26	90446-09013-00	HOSE (90446-09079)	1	
27	90467-09026-00	CLIP	1	

Property of www.SmallEngineDiscount.com - Not for Resale

SEAT

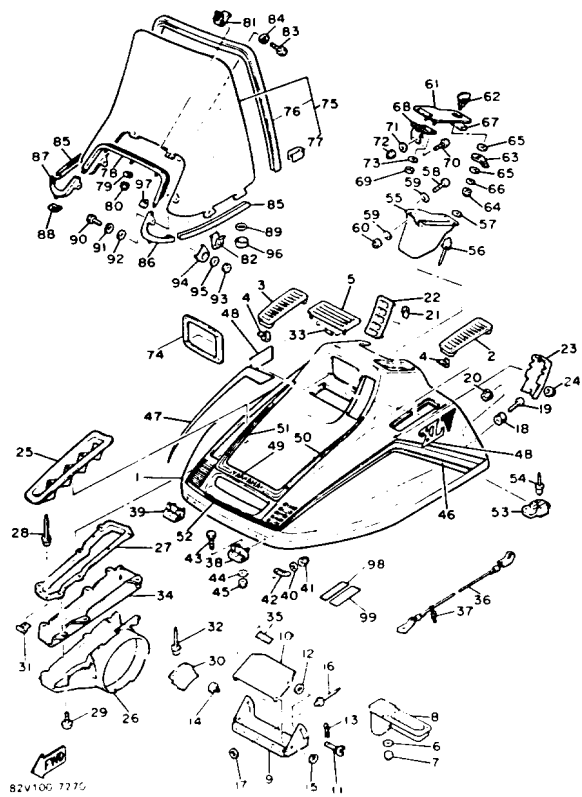


82U100-7200

Ref. No.	Part Number	Description	Qty	Remarks
1	86K-24730-00-00	DOUBLE SEAT ASS'Y	1	
2	86K-24731-00-00	. COVER, seat	1	
3	90154-06003-00	SCREW, BINDING	2	
4	90201-063J2-00	WASHER, PLATE	2	
5	95712-08300-00	NUT, LOCK	2	
6	90201-08748-00	WASHER, PLATE	2	
7	86K-24790-00-00	SEAT BACK ASS'Y	1	
8	8Y7-2474A-01-00	ASSIST, GRIP	1	
9	8Y7-2474W-00-00	ASSIST, GRIP 2	1	
10	8Y7-2474H-00-00	BRKT, ASSIST GRIP 1	1	
11	8Y7-2474J-00-00	BRKT, ASSIST GRIP 2	1	
12	8Y7-2476U-00-00	PROTECTOR, 1	1	
13	8Y7-2476V-00-00	PROTECTOR, 2	1	
14	8Y7-24796-01-00	COVER	1	
15	8Y7-2475X-01-00	COVER, 2	1	
16	8Y7-24746-00-00	WASHER, SEAT	2	
17	98901-08016-00	SCREW, BIND	6	
18	90387-073M2-00	COLLAR	6	
19	98906-06025-00	SCREW, BIND	6	
20	90269-06046-00	RIVET	4	
21	98902-08014-00	SCREW, BIND	6	
22	1FK-85130-00-00	REAR REFLECTOR ASSEMBLY	2	
23	92990-05200-00	WASHER, PLAIN	2	
24	95701-05300-00	NUT, NYLON	2	

Property of www.SmallEngineDiscount.com - Not for Resale

SHROUD - WINDSHIELD

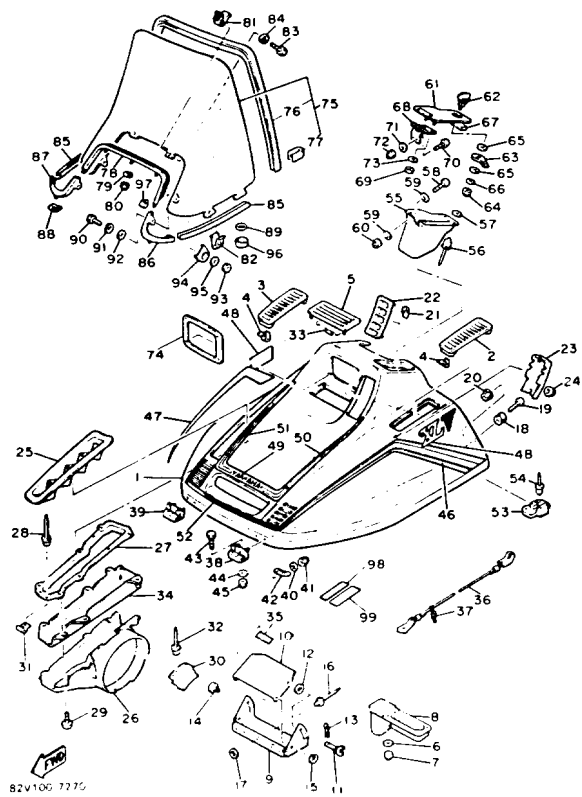


Ref. No.	Part Number	Description	Qty	Remarks
1	83W-W7711-00-00	SHROUD ASS'Y	1	Urishi Black/ Marshall Gold
2	8L9-77133-00-00	LOUVER 3	1	
3	8L9-77134-00-00	LOUVER 4	1	
4	90468-05094-00	CLIP	4	
5	8L9-77109-00-00	LOUVER 5 (83W-77109-00)	1	
6	90201-05029-00	WASHER, PLATE	4	
7	95701-05300-00	NUT, NYLON	4	
8	8K4-7712E-00-00	INSULATOR	1	
9	8Y0-77125-00-00	STAY 1	1	
10	8Y0-77126-00-00	STAY 2	1	
11	90122-05022-00	BOLT, WING	2	
12	90202-05088-00	WASHER, PLATE	2	
13	90468-10004-00	CLIP	2	
14	90249-05187-00	PIN	2	
15	99080-04600-00	CIRCLIP (E)	2	
16	90267-48053-00	RIVET, BLIND	3	
17	90201-04325-00	WASHER, PLATE	3	
18	8M6-77175-00-00	HOLDER, LATCH	2	
19	98906-06030-00	SCREW, BIND	2	
20	95701-06500-00	NUT, FLANGE	2	
21	90468-05094-00	CLIP	4	
22	83W-77108-00-00	LOUVER 6	1	
23	8V8-77185-00-00	PLATE 1	1	
24	95701-04500-00	NUT, FLANGE	4	
25	80R-77131-00-00	LOUVER 1 (83W-77131-00)	1	
26	8V9-77194-00-00	DUCT	1	
27	8V9-77153-00-00	PLATE, BACK UP 1	1	
28	90267-40105-00	RIVET, BLIND	8	

CONTINUED ON NEXT FRAME ►

Property of www.SmallEngineDiscount.com - Not for Resale

SHROUD - WINDSHIELD

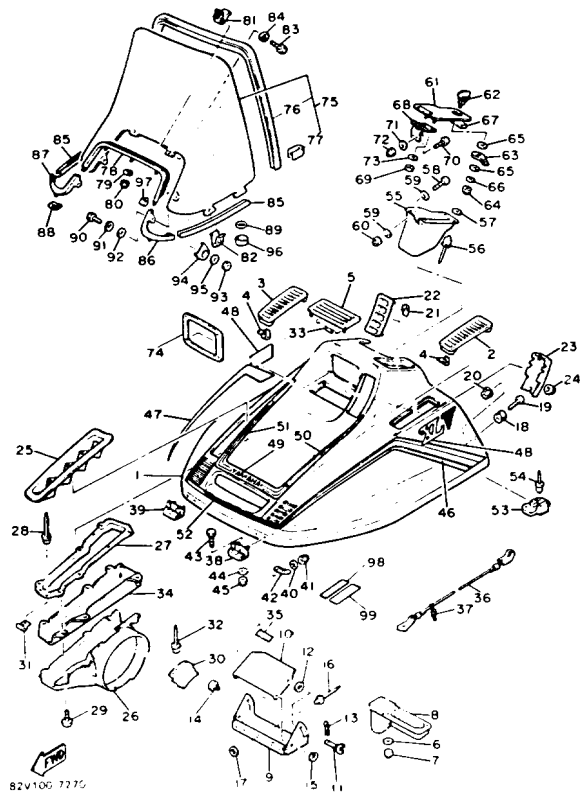


Ref. No.	Part Number	Description	Qty	Remarks
29	98906-06010-00	SCREW, BIND	6	
30	8Y0-77515-00-00	BUSH, RUBBER 1	1	
31	90468-05138-00	CLIP	5	
32	90269-05039-00	RIVET	4	
33	8Y0-77185-00-00	PLATE 1	1	Alt. Part
34	8Y0-77186-00-00	PLATE 2	1	Alt. Part
35	8Y0-77762-00-00	LABEL, WARNING 2	1	
36	8K4-77118-00-00	STOPPER, SHROUD	1	
37	838-77159-00-00	CLAMP, ROD	1	
38	8L8-77140-00-00	HINGE ASSEMBLY	1	
39	8L8-7714A-00-00	HINGE ASSEMBLY 2	1	
40	90201-067A6-00	WASHER, PLATE	2	
41	95701-06300-00	NUT, NYLON	4	
42	8Y0-77525-00-00	WASHER 1	1	
43	97006-06014-00	BOLT	2	
44	90201-062A8-00	WASHER, PLATE	2	
45	95706-06300-00	NUT, NYLON	2	
46	83W-77163-00-00	ORNAMENT 1	1	
47	83W-77164-00-00	ORNAMENT 2	1	
48	83W-77351-00-00	EMBLEM 1	2	
49	83W-77281-00-00	STRIPE 1	1	
50	83W-77282-00-00	STRIPE 2	1	
51	83W-77283-00-00	STRIPE 3	1	
52	83W-77284-00-00	STRIPE 4	1	
53	8K4-77188-00-00	STOPPER	2	
54	90267-48086-00	RIVET, BLIND	4	
55	8K4-77391-00-00	LUGGAGE BOX	1	
56	90267-48078-00	RIVET, BLIND	2	
57	90201-04325-00	WASHER, PLATE	2	

CONTINUED ON NEXT FRAME ➤

Property of www.SmallEngineDiscount.com - Not for Resale

SHROUD - WINDSHIELD

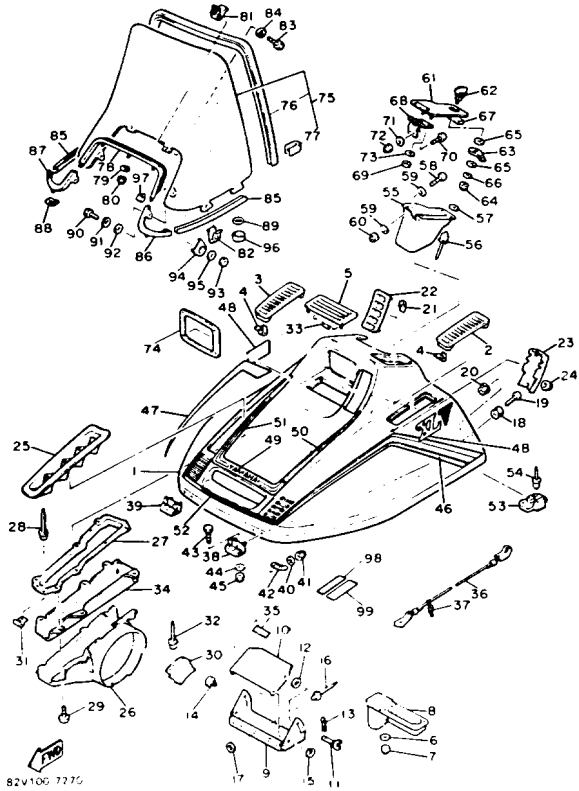


Ref. No.	Part Number	Description	Qty	Remarks
58	98516-06020-00	SCREW, PAN HEAD	2	
59	90201-06059-00	WASHER, PLATE	4	
60	95701-06300-00	NUT, NYLON	2	
61	83W-77392-00-00	COVER, luggage box	1	
62	8L9-77324-00-00	KNOB	1	
63	8K4-77328-00-00	LEVER, arm fitting	1	
64	95706-05300-00	NUT, nylon	1	
65	90201-10119-00	WASHER, PLATE	2	
66	90201-05725-00	WASHER, PLATE	1	
67	8K4-77374-00-00	DAMPER 2	1	
68	8K4-77470-00-00	HINGE ASSEMBLY	1	
69	95306-05800-00	NUT (CROWN)	2	
70	98506-05016-00	SCREW, PAN HEAD	2	
71	90201-05029-00	WASHER, PLATE	2	
72	95701-05300-00	NUT, NYLON	2	
73	92906-05200-00	WASHER, PLAIN	2	
74	8K4-77165-00-00	TRIM 1	1	
75	83N-77210-00-00	WINDSHIELD (CLEAR)	1	
76	87K-77213-00-00	. TRIM, UPPER	1	
77	80V-77223-00-00	. FASTENER	2	
78	8L0-77214-00-00	TRIM, lower	1	
79	92901-05600-00	WASHER, PLATE	3	
80	95701-05300-00	NUT, NYLON	3	
81	8K4-77222-00-00	BRACKET, WNDSHLD R	2	
82	82V-77222-00-00	BRACKET, WNDSHLD R	1	
83	97011-06010-00	BOLT	3	
84	92995-06100-00	WASHER, SPRING	3	
85	80R-77215-00-00	TRIM 3	2	
86	80R-77225-00-00	TRIM 5	1	

CONTINUED ON NEXT FRAME ►

Property of www.SmallEngineDiscount.com - Not for Resale

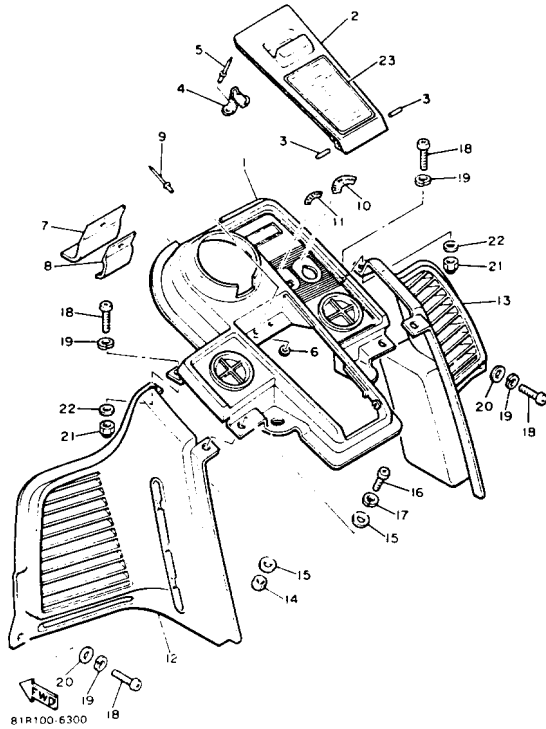
SHROUD - WINDSHIELD



Ref. No.	Part Number	Description	Qty	Remarks
87	80R-77226-00-00	TRIM 6	1	
88	90183-05019-00	NUT, SPRING	2	
89	82H-77223-00-00	FASTNER	2	
90	97001-05016-00	BOLT (97002-05016-00)	2	
91	92990-05100-00	WASHER, SPRING	2	
92	90201-05033-00	WASHER, PLATE	1	
93	95306-05800-00	NUT (CROWN)	2	
94	8L9-77116-00-00	WASHER, special	2	
95	90201-06643-00	WASHER, PLATE	2	
96	82H-77223-00-00	FASTNER	2	
97	8L0-77136-00-00	CLAMP 2	2	
98	8Y7-1417E-00-00	LABEL, CAUTION	1	
99	8Y7-47578-00-00	LABEL 1	1	

Property of www.SmallEngineDiscount.com - Not for Resale

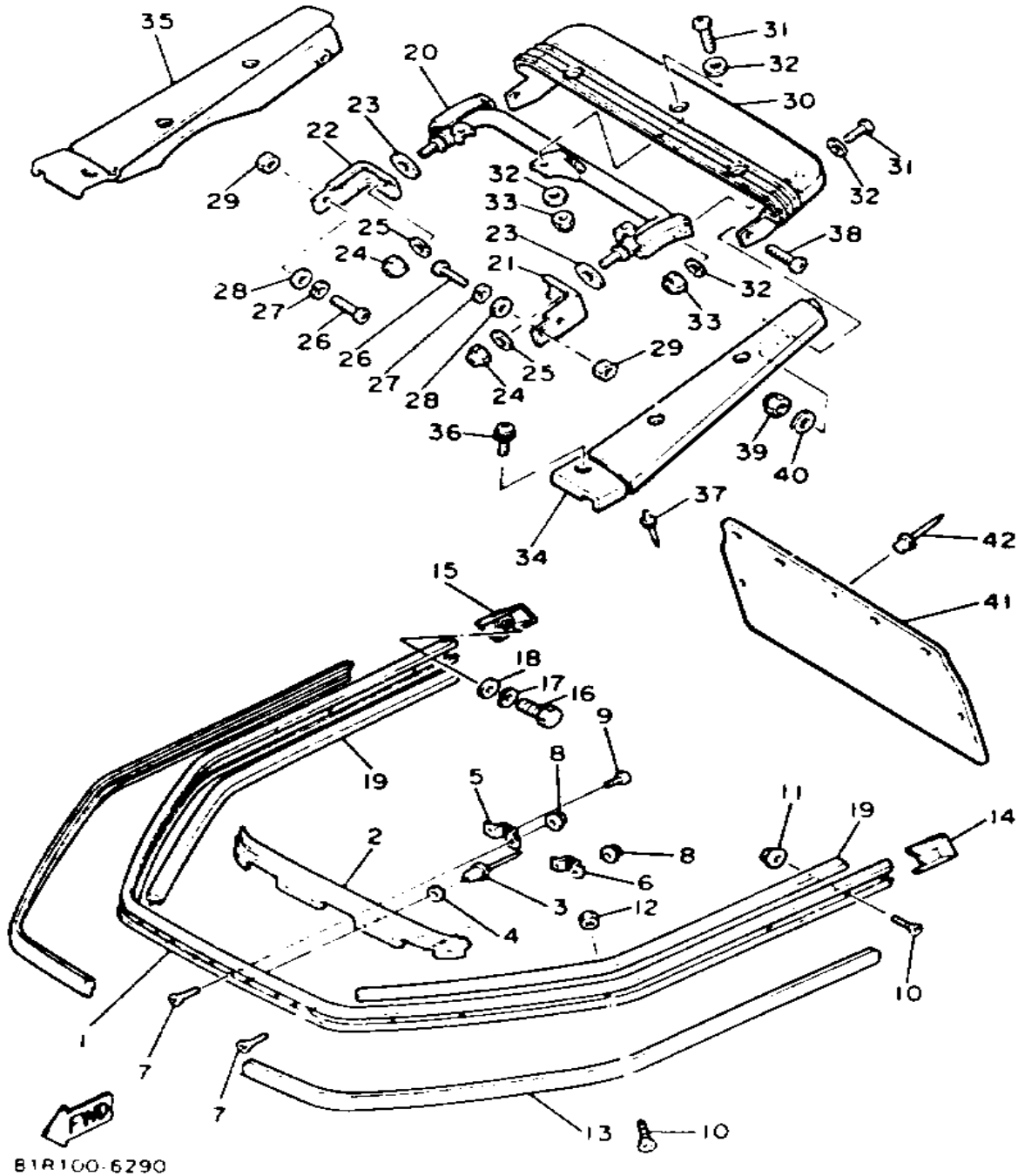
INSTRUMENT PANEL



Ref. No.	Part Number	Description	Qty	Remarks
1	8L8-77711-01-00	PANEL INSTRUMENT	1	
2	8K4-77712-00-00	PANEL, INSTRUMENT	1	
3	8K4-77477-00-00	PIN, HINGE	2	
4	821-24794-01-00	SPRING, SEAT BACK	1	
5	90267-32072-00	RIVET, BLIND	2	
6	90201-03313-00	WASHER, PLATE	2	
7	8K4-77161-00-00	STRIP, WEATHER 1	1	
8	8K4-77185-00-00	PLATE 1	1	
9	90267-48014-00	RIVET, BLIND	1	
10	8Y7-77741-00-00	INDICATOR 1	1	
11	8K4-77742-00-00	INDICATOR 2	1	
12	8K4-77131-00-00	LOUVER 1	1	
13	8K4-77132-00-00	LOUVER 2	1	
14	95380-06600-00	NUT	2	
15	90201-06059-00	WASHER, PLATE	4	
16	92506-06016-00	SCREW, pan head	2	
17	92906-06100-00	WASHER, SPRING	2	
18	98516-06020-00	SCREW, PAN HEAD	4	
19	92906-06100-00	WASHER, SPRING	4	
20	90201-060A3-00	WASHER, PLATE	2	
21	95601-06100-00	NUT, U	2	
22	90201-06643-00	WASHER, PLATE	2	
23	8Y7-77761-00-00	LABEL, WARNING 1	1	

Property of www.SmallEngineDiscount.com - Not for Resale

BUMPER



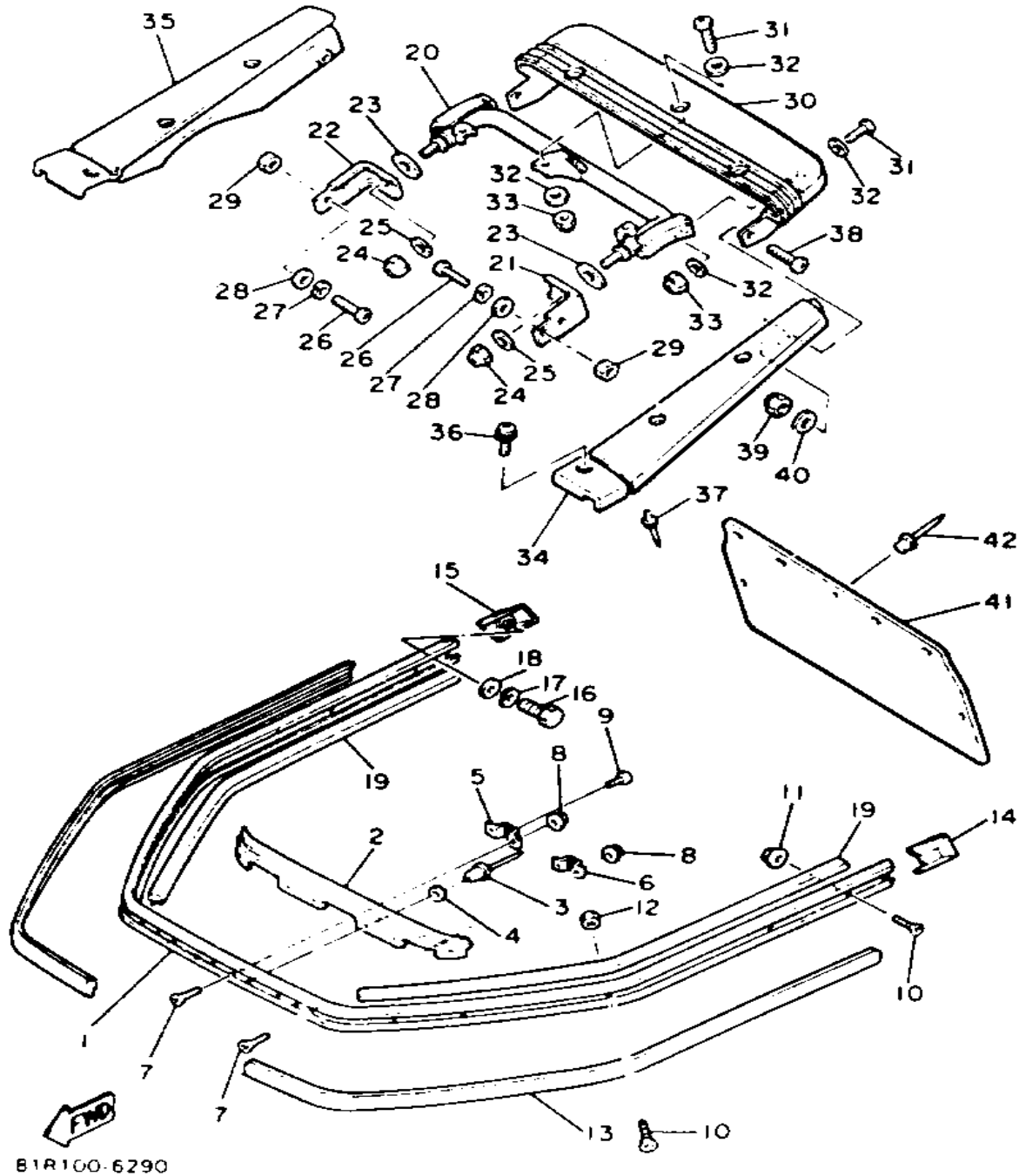
B1R100-6290

Ref. No.	Part Number	Description	Qty	Remarks
1	8N8-77511-00-00	BUMPER, FRONT 1	1	
2	8N8-77512-00-00	BUMPER, FRONT 2	1	
3	90267-48079-00	RIVET, BLIND	6	
4	90201-04325-00	WASHER, PLATE	6	
5	8N8-77531-00-00	BRACKET, FRONT L (L.H)	1	
6	8N8-77532-00-00	BRACKET, FRONT R (R.H)	2	
7	98701-06012-00	SCREW, FLAT HEAD (92701-06012)	6	
8	95701-06500-00	NUT, FLANGE	6	
9	98980-06016-00	SCREW, BINDING	3	
10	98702-06016-00	SCREW, FLAT HEAD	10	
11	95701-06500-00	NUT, FLANGE	8	
12	95601-06200-00	NUT, U FLANGE	2	
13	8N8-77516-00-00	BUSH, RUBBER 2	1	
14	8N8-77523-00-00	END, BUMPER	1	
15	8N8-77524-00-00	END, BUMPER	1	
16	97313-06016-00	BOLT, HEXAGON	2	
17	92995-06100-00	WASHER, SPRING	2	
18	92990-06600-00	WASHER, PLATE	2	
19	8K4-77515-01-00	BUSH, RUBBER 1	2	
20	8M6-77541-00-00	BUMPER, REAR 1	1	
21	8M6-77525-01-00	WASHER 1	1	
22	8M6-77526-01-00	WASHER 2	1	
23	90201-12195-00	WASHER, PLATE	2	
24	95701-10300-00	NUT, FLANGE (95702-10300)	2	
25	92990-10200-00	WASHER, PLAIN	2	
26	98980-06020-00	SCREW, BIND	4	
27	92995-06100-00	WASHER, SPRING	4	
28	92990-06600-00	WASHER, PLATE	4	

CONTINUED ON NEXT FRAME ►

Property of www.SmallEngineDiscount.com - Not for Resale

BUMPER

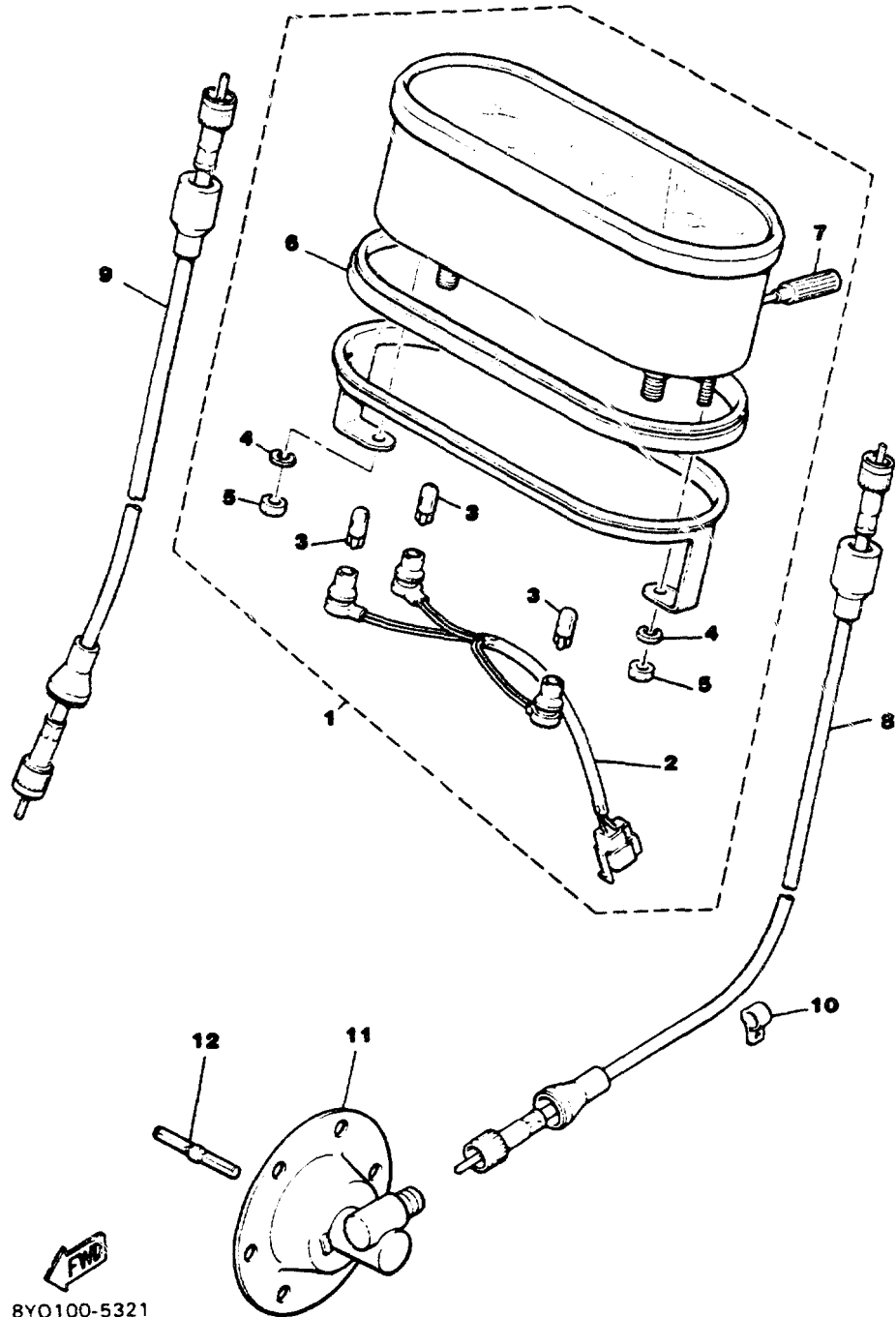


B1R100-6290

Ref. No.	Part Number	Description	Qty	Remarks
29	95380-06600-00	NUT	4	
30	8M6-77542-00-00	BUMPER, REAR 2	1	
31	98906-05016-00	SCREW, BIND	5	
32	90201-05721-00	WASHER, PLATE	10	
33	95701-05300-00	NUT, NYLON	5	
34	8M6-77543-00-00	BUMPER, REAR 3	1	
35	8M6-77544-00-00	BUMPER, REAR 4	1	
36	90159-05083-00	SCREW, WITH WASHER	6	
37	90267-48086-00	RIVET, BLIND	4	
38	98906-06025-00	SCREW, BIND	2	
39	95701-06300-00	NUT, NYLON	2	
40	92990-06200-00	WASHER	2	
41	8X9-77595-00-00	FLAP	1	
42	90267-48086-00	RIVET, BLIND	5	

Property of www.SmallEngineDiscount.com - Not for Resale

METER

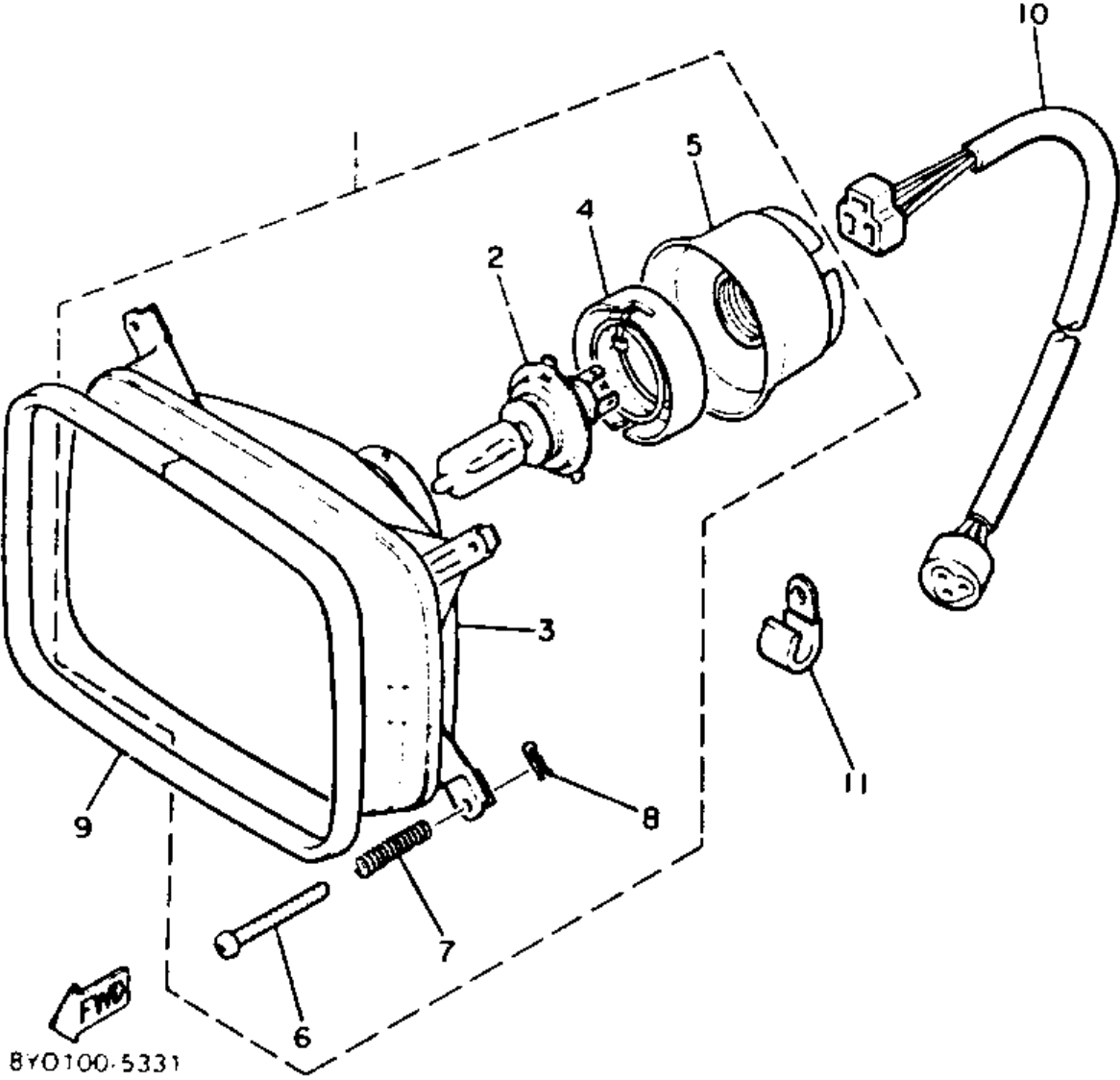


8Y0100-5321

Ref. No.	Part Number	Description	Qty	Remarks
1	81R-83500-40-00	SPEEDOMETER ASSEMBLY ..	1	U.R. Mile/H
2	8U9-83536-00-00	. SOCKET, METER	1	
3	4G1-84744-00-00	. BULB, MTR.12V3.4W	3	
4	92990-05100-00	. WASHER, SPRING	2	
5	95380-05600-00	. NUT	2	
6	8K4-83513-00-00	. DAMPER	1	
7	8L8-83578-00-00	. KNOB, TRIP METER	1	
8	8K4-83550-00-00	SPEEDOMETER CABLE ASSEMBLY	1	
9	8A1-83550-02-00	SPEEDOMETER CABLE ASSEMBLY	1	
10	90461-06M01-00	CLAMP	1	
11	8L8-47700-00-00	METER GEAR HOUSING COMP.	1	
12	8K4-47715-00-00	JOINT	1	

Property of www.SmallEngineDiscount.com - Not for Resale

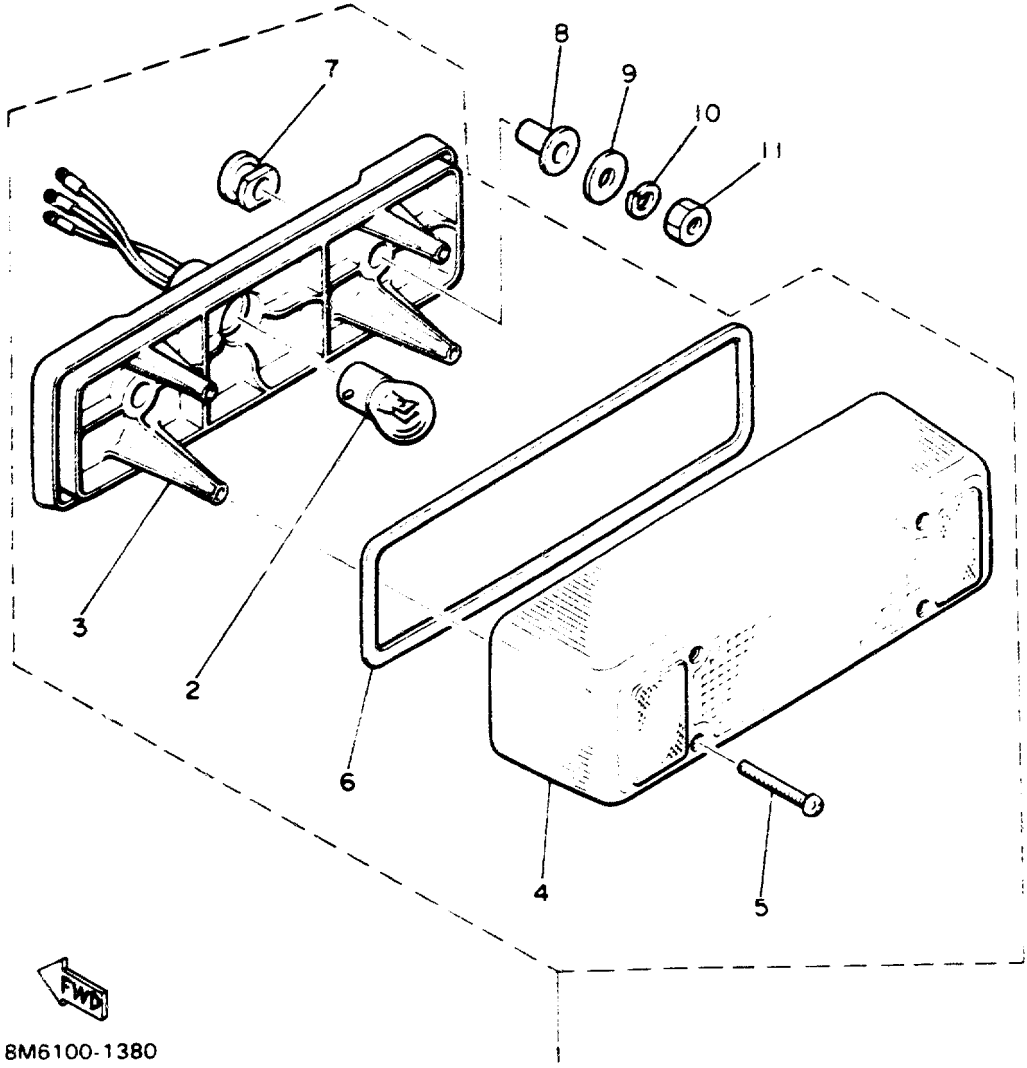
HEADLIGHT



Ref. No.	Part Number	Description	Qty	Remarks
1	8M6-84310-00-00	HEADLIGHT UNIT ASSEMBLY	1	
2	5V2-84314-00-XX	. BULB, HL 12V60/55W (2F9-84314-00)	1	
3	8K4-84320-00-00	. LENS ASSEMBLY	1	
4	8A7-84312-00-00	. HOLDER, SOCKET	1	
5	8A7-84397-01-00	. COVER, SOCKET	1	
6	8M6-84331-00-00	. SCREW, RIM ADJUSTING (8A5-84331-00-00)	4	
7	8A5-84332-00-00	. SPRING, SCREW	4	
8	8K4-84374-00-00	. CLIP	4	
9	8T7-84366-00-00	DAMPER, HEADLIGHT 1	1	
10	83W-84359-00-00	CORD, headlight	1	
11	90465-08028-00	CLAMP	2	

Property of www.SmallEngineDiscount.com - Not for Resale

TAILLIGHT

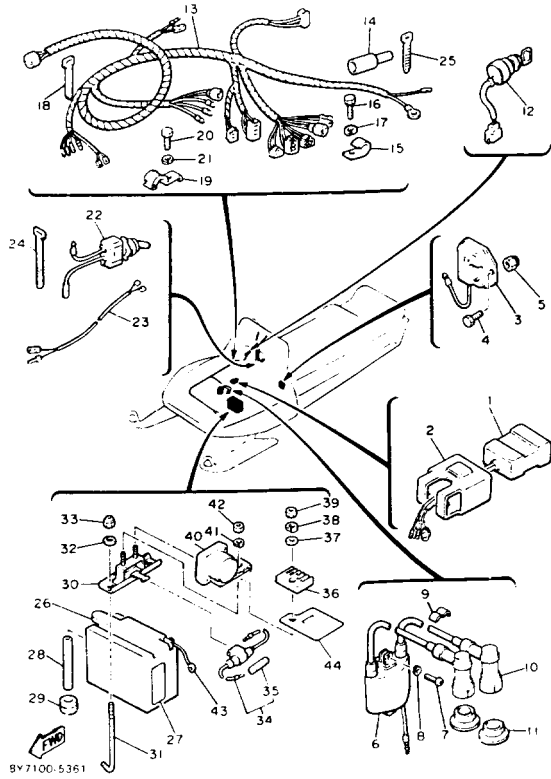


8M6100-1380

Ref. No.	Part Number	Description	Qty	Remarks
1	8K4-84710-00-00	TAILLIGHT UNIT ASSEMBLY ..	1	
2	137-84714-61-00	. BULB, TL 12V23/8W (J50-83311-00)	1	
3	8K4-84711-00-00	. BASE, TAILLIGHT	1	
4	8K4-84721-00-00	. LENS, TAILLIGHT	1	
5	97780-40130-00	. SCREW, PANHEAD TAPPING (97701-40130-00)	4	
6	87M-84723-00-00	. GASKET, TAIL LENS	1	
7	8K4-84718-00-00	. GROMMET	2	
8	90387-066N1-00	COLLAR	2	
9	90201-06407-00	WASHER, PLATE (90201-06747-00)	2	
10	92995-06100-00	WASHER, SPRING	2	
11	95380-06600-00	NUT	2	

Property of www.SmallEngineDiscount.com - Not for Resale

ELECTRICAL 1

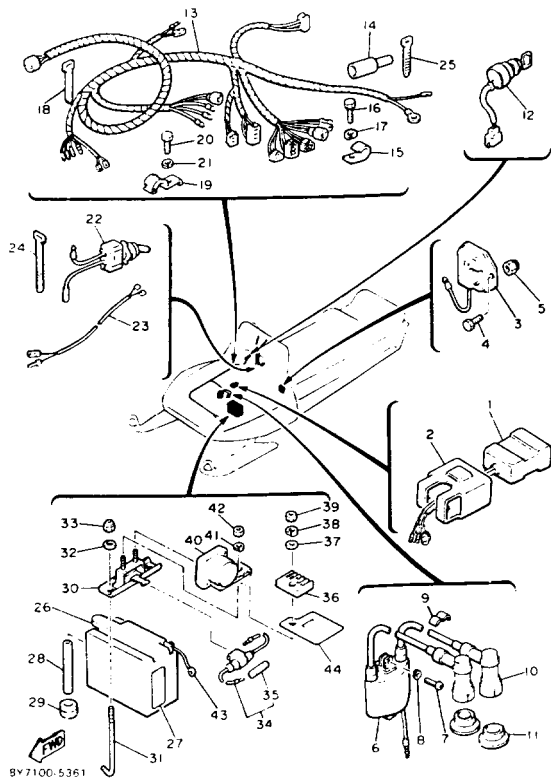


Ref. No.	Part Number	Description	Qty	Remarks
1	8V0-85540-21-00	C.D.I. UNIT ASSEMBLY	1	
2	2A7-85546-00-00	BAND	1	
3	82M-81910-A0-00	VOLTAGE REGULATOR ASSEMBLY	1	
4	97011-06016-00	BOLT	2	
5	95701-06300-00	NUT, NYLON	2	
6	8V8-82310-10-00	IGNITION COIL ASSEMBLY	1	U.R.
7	98580-06020-00	SCREW	2	
8	92995-06100-00	WASHER, SPRING	2	
9	861-82361-00-00	CLAMP, CORD	1	
10	8K1-82370-20-00	PLUG CAP ASSEMBLY (WITH RESISTOR)	2	
11	8G5-82372-00-00	SEAL, PLUG CAP	2	
12	8K1-82508-20-00	MAIN SWITCH ASSEMBLY	1	
13	83W-82590-20-00	WIRE HARNESS ASS'Y	1	
14	8Y0-82599-00-00	COVER, CONNECTER	1	
15	90465-08028-00	CLAMP	1	
16	97003-06012-00	BOLT (97001-06012)	1	
17	92995-06100-00	WASHER, SPRING	1	
18	341-26397-01-00	BAND	1	
19	90462-06079-00	CLAMP	1	
20	97003-06012-00	BOLT (97001-06012)	1	
21	92995-06100-00	WASHER, SPRING	1	
22	82J-82917-00-00	SWITCH	1	
23	80X-82318-00-00	WIRE, SUB-LEAD	2	
24	437-83936-01-00	BAND, SWITCH CORD	2	
25	341-26397-01-00	BAND	2	
26	BTY-YB16A-LA-20	BATTERY ASSEMBLY	1	U.R.
27	118-82141-09-00	LABEL, BATTERY	1	

CONTINUED ON NEXT FRAME ►

Property of www.SmallEngineDiscount.com - Not for Resale

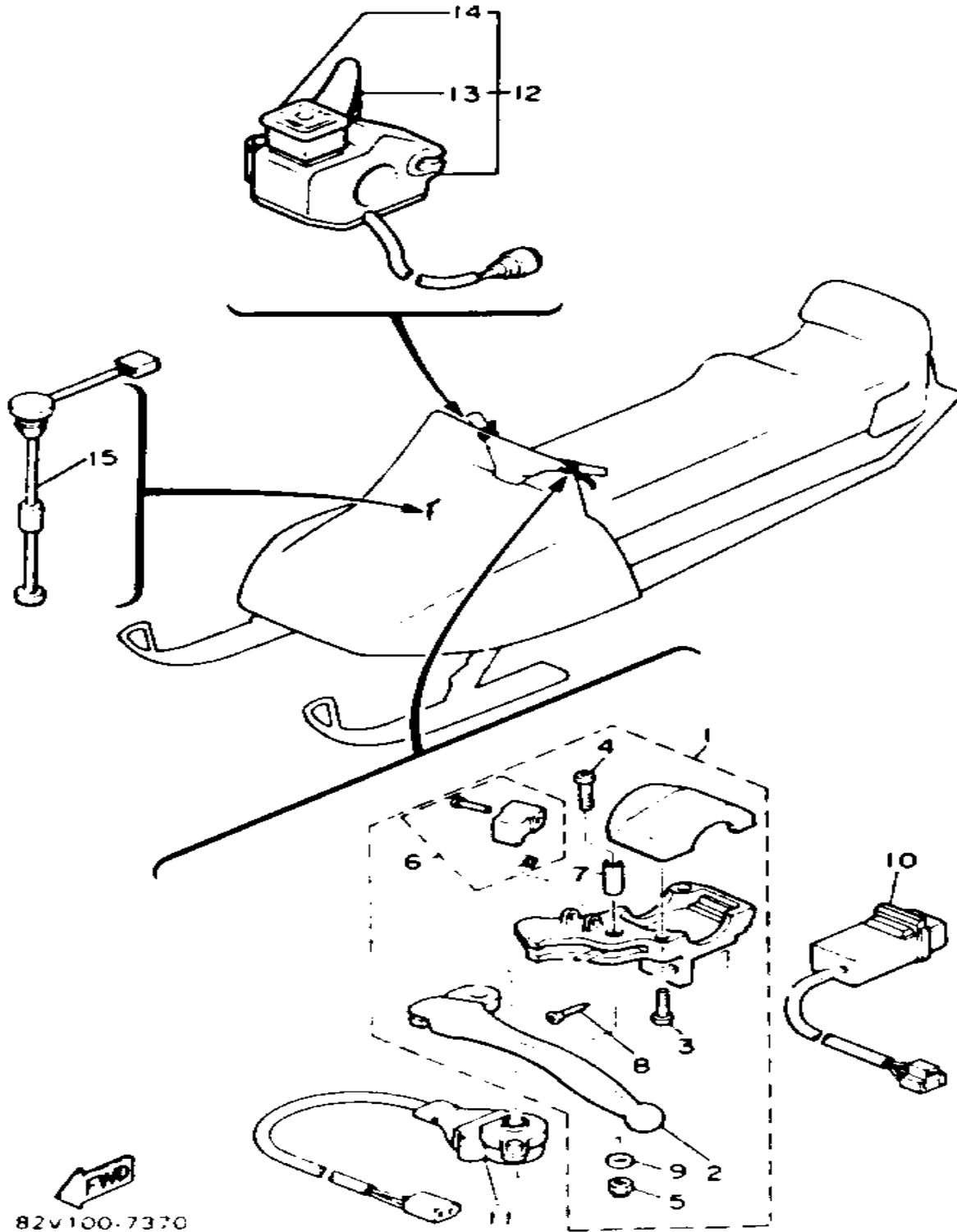
ELECTRICAL 1



Ref. No.	Part Number	Description	Qty	Remarks
28	90445-084E3-00	HOSE	1	
29	90480-12067-00	GROMMET	1	
30	8Y7-82136-00-00	PLATE, BATT FITTING	1	
31	8Y7-82133-00-00	SCREW, FITTING	2	
32	92990-06600-00	WASHER, PLATE	2	
33	95701-06300-00	NUT, NYLON	2	
34	2J2-82150-10-00	FUSE HOLDER ASSEMBLY ...	1	
35	682-82151-00-00	. FUSE (20A)	2	
36	1Y8-81970-60-00	RECTIFIER ASSEMBLY	1	
37	90201-06059-00	WASHER, PLATE	2	
38	92995-06100-00	WASHER, SPRING	1	
39	95380-06600-00	NUT	1	
40	8J9-81940-10-00	STARTER RELAY ASSEMBLY .	1	
41	92995-06100-00	WASHER, SPRING	1	
42	95380-06600-00	NUT	1	
43	84N-82115-00-00	WIRE, PLUS LEAD	1	
44	8Y7-82129-00-00	COVER, BATTERY	1	

Property of www.SmallEngineDiscount.com - Not for Resale

ELECTRICAL 2



Ref. No.	Part Number	Description	Qty	Remarks
1	88R-W8291-00-00	LEVER HOLDER ASSEMBLY (LEFT)	1	
2	8H8-83912-00-00	. LEVER 1	1	
3	90157-05027-00	. SCREW, PAN HEAD	2	
4	98501-05040-00	. SCREW, PAN HEAD (98502-05040)	1	
5	95701-05300-00	. NUT, NYLON	1	
6	82A-83930-00-00	. LEVER LOCK ASSEMBLY	1	
7	802-83913-00-00	. COLLAR, LEVER 1	1	
8	97780-30312-00	. SCREW, tapping	2	
9	92990-05200-00	. WASHER, PLAIN	1	
10	8H8-83950-01-00	BEAM SWITCH ASSEMBLY (8K4-83950-01-00)	1	
11	88R-82530-00-00	STOP SWITCH ASSEMBLY	1	
12	84R-82720-00-00	LEVER HOLDER ASSEMBLY (RIGHT)	1	
13	8V0-42138-00-00	. LEVER, THROTTLE	1	
14	82K-82575-09-00	. EMERGENCY SAFETY SW	1	
15	4A5-85720-00-00	OIL LVL GAUGE ASSEMBLY (8K2-85720-00)	1	

Property of www.SmallEngineDiscount.com - Not for Resale

SERVICE DATA

SHOWROOM | Oct 9 1987

XL540M 1988 SERVICE/HIGH ALTITUDE TUNING DATA

MODEL - B/W I.D. NUMBER	XL540M	83W
Starting Engine Number / Frame Number	83W-000101 / 83W-000101	
ENGINE - Type / Induction System	2 Stroke, Forced-air Cooled / Reed Valve	
Bore x Stroke / Number Cylinders / Displacement	73.0mm x 64.0mm / 2 / 535cc	
Compression Ratio	8.0:1	
Piston Start Clearance New / Max	0.055 ~ 0.060mm / 0.10mm	
Ring End Gap Top / 2nd	0.2 ~ 0.4mm / 0.2 ~ 0.4mm	
Coolant Type / Mixing Ratio	Ø	
CARBURETOR - M/I - Type / I.D. Number	Mitsumi / 83B-32 / Ø77-01	
Main Jet	Ø132.5	
Jet Needle (Clip Position)	Ø	
Idle Mixture Screw Turns Out	1-1/2	
Power Jet / Pilot (Slow) Jet	Ø / Ø	
Floar Height	12 ± 0.1mm	
Idle Speed	1200rpm	
Pilot (Slow) Air Jet / Power Air Jet / Main Air Jet	Ø.8 / Ø.1 / Ø	
ADJUSTERS - Pump Color / Control Rod Adjustment	Vel / 27 ± 0.1mm @ Idle @ Pump Wire Assembly	
Pump Plunger Stroke Min / Max	0.20 ~ 0.25mm / 1.65 ~ 1.87mm	
Output @ 200 Strokes Full Throttle / Idle	7.84 ~ 8.89cc / 0.95 ~ 1.19cc	
DRIVE - Engagement rpm / Shift rpm	3400 / 6000	
Ball Type	ØF2	
Shave Center-to-center / Offset	270.5mm / H ± 0.5mm	
Primary Spring Color / Length / Rate / Preload	Wh-Ap / 77.2mm / 1.59kg/mm / 25kg	
Secondary Spring Preload / Color	50° (A-2) / Pri	
Secondary Drive Rate / Chain Free Play	17.29 / 10.5mm	
Track Width / Tension	15in / 25 ~ 30mm @ 10kg (10-12 in @ 22 lbf)	
CAPACITORS - Chain Case / Gear Case Cap. (Type)	250cc / Ø SAE 80W90 API GL-4	
Fuel Tank Capacity / Type	26.6 Lit (7.0 gal) / Unleaded Regular	
Autolube Tank Capacity / Type	2.3 Lit (2.6 qt) / Yamahaube 2	
ELECTRICAL - Spark Plug / Gap (mm)	NGK BRPES / 0.7 ~ 0.8mm	
Headlight / Taillight / Meter Light Voltage	12V-60-55W / 12V-8-23W / 3.6W	
Ignition System / Manufacturer	CDI / Mitsubishi	
Ignition Timing	1.5 BDC	
Pulse Coil Color Code / Resistance	W-R ~ Ø / 140 ± 10%	
Charge Coil Color Code / Resistance	Ø ~ Ø / 5660 ± 10%	
Lighting Coil Color Code / Resistance	Y ~ Ø / 0.99 ± 10%	
Primary Ignition Coil Resistance	0.150 ± 20%	
Secondary Ignition Coil Resistance	3.5KΩ ± 20%	
Battery Type / Specific Gravity / Charge Rate	Yuasa YB4L-A2 / 1.28 / 1.6A	

	EU ROARD SETTING	HIGH ALTITUDE
Idle	1200rpm	1700rpm
Clutch Engagement	3400 ± 200rpm	3600 ± 200rpm
Shift Speed	6000 ± 200rpm	7000rpm
Main Jet	Ø132.5	See Setting Chart
Slow / Pilot Jet	Ø	Standard or as Needed
Low Speed Mixture Screw	1-1/2 Turns Out	Standard
Gear Reduction	17:29	See Sprocket Chart
Primary Spring	Wh-Pur 25 x 1.56 (Pur = Purple)	Wh-U Bu 80SD165M-A2.30 x 3.16
Primary Weight	ØV0	Standard
Secondary Spring Preload	50° (A-2)	60° (B-2)

ELEVATION	TEMP						JET SIZE	PART NUMBER
	-30°C -22°F	-20°C -4°F	-10°C 14°F	0°C 32°F	10°C 50°F	20°C 68°F		
Sea Level to 999ft	Ø132.5						Ø132.5	3G2-14231-79-00
2000 to 3999ft	Ø137.5						Ø137.5	3G2-14231-78-00
4000 to 5999ft	Ø132.5 (Std.)						Ø130	3G2-14231-26-00
6000 to 7999ft	Ø127.5						Ø125	3G2-14231-76-00
8000 to 9999ft	Ø132.5						Ø120	3G2-14231-75-00
10,000 ft Above	Ø138						Ø115	3G2-14231-24-00

ELEVATION	DRIVE SPROCKET			DRIVEN SPROCKET			SPROCKET	PART NUMBER
	Sea Level ~ 5000ft	6000 ~ 8000ft	7000 ~ Above	90 ~ 161	161 ~ 151	151		
Sea Level ~ 5000ft	90 ~ 161			90			161	Ø78-17682-60-00
6000 ~ 8000ft		161 ~ 151		90			151	Ø78-17682-50-00
7000 ~ Above			151		311		311	Ø78-17587-00-00

PUBLICATION	PART NUMBER	REMARKS
Owner's Manual	LT-28199-00-94	
Service Manual	LT-12616-00-72	
Assembly Manual	LT-12668-00-77	

Ø = Does Not Apply To This Model
 * = Available from Yamaha Parts Distributors Inc.
 NA = Information Not Available

SERVICE DATA

SHOWROOM | Oct 9 1987

XL540M 1988 SERVICE/HIGH ALTITUDE TUNING DATA

MODEL - B/W I.D. NUMBER	XL540M	83W
Starting Engine Number / Frame Number	83W-000101 / 83W-000101	
ENGINE - Type / Induction System	2 Stroke, Forced-air Cooled / Reed Valve	
Bore x Stroke / Number Cylinders / Displacement	73.0mm x 64.0mm / 2 / 535cc	
Compression Ratio	8.0:1	
Piston Start Clearance New / Max	0.055 ~ 0.060mm / 0.10mm	
Ring End Gap Top / 2nd	0.2 ~ 0.4mm / 0.2 ~ 0.4mm	
Coolant Type / Mixing Ratio	Ø	
CARBURETOR - M/I - Type / I.D. Number	Mitsumi / 83B-32 / Ø77-01	
Main Jet	Ø132.5	
Jet Needle (Clip Position)	Ø	
Idle Mixture Screw Turns Out	1-1/2	
Power Jet / Pilot (Slow) Jet	Ø / Ø	
Floar Height	12 ± 0.1mm	
Idle Speed	1200rpm	
Pilot (Slow) Air Jet / Power Air Jet / Main Air Jet	Ø.8 / Ø.1 / Ø	
ADJUSTERS - Pump Color / Control Rod Adjustment	Vel / 27 ± 0.1mm @ Idle @ Pump Wire Assembly	
Pump Plunger Stroke Min / Max	0.20 ~ 0.25mm / 1.65 ~ 1.87mm	
Output @ 200 Strokes Full Throttle / Idle	7.84 ~ 8.89cc / 0.95 ~ 1.19cc	
DRIVE - Engagement rpm / Shift rpm	3400 / 6000	
Ball Type	ØF2	
Shave Center-to-center / Offset	270.5mm / H ± 0.5mm	
Primary Spring Color / Length / Rate / Preload	Wh-Ap / 77.2mm / 1.59kg/mm / 25kg	
Secondary Spring Preload / Color	50° (A-2) / Pri	
Secondary Drive Rate / Chain Free Play	17.29 / 10.5mm	
Track Width / Tension	15in / 25 ~ 30mm @ 10kg (10-12 in @ 22 lbf)	
CAPACITORS - Chain Case / Gear Case Cap. (Type)	250cc / Ø SAE 80W90 API GL-4	
Fuel Tank Capacity / Type	26.6 Lit (7.0 gal) / Unleaded Regular	
Autolube Tank Capacity / Type	2.3 Lit (2.6 qt) / Yamahaube 2	
ELECTRICAL - Spark Plug / Gap (mm)	NGK BRPES / 0.7 ~ 0.8mm	
Headlight / Taillight / Meter Light Voltage	12V-60-55W / 12V-8-23W / 3.6W	
Ignition System / Manufacturer	CDI / Mitsubishi	
Ignition Timing	1.5 BDC	
Pulse Coil Color Code / Resistance	W-R ~ Ø / 140 ± 10%	
Charge Coil Color Code / Resistance	Ø ~ Ø / 5660 ± 10%	
Lighting Coil Color Code / Resistance	Y ~ Ø / 0.99 ± 10%	
Primary Ignition Coil Resistance	0.150 ± 20%	
Secondary Ignition Coil Resistance	3.5KΩ ± 20%	
Battery Type / Specific Gravity / Charge Rate	Yuasa YB4L-A2 / 1.28 / 1.6A	

	EU ROARD SETTING	HIGH ALTITUDE
Idle	1200rpm	1700rpm
Clutch Engagement	3400 ± 200rpm	3600 ± 200rpm
Shift Speed	6000 ± 200rpm	7000rpm
Main Jet	Ø132.5	See Setting Chart
Slow / Pilot Jet	Ø	Standard or as Needed
Low Speed Mixture Screw	1-1/2 Turns Out	Standard
Gear Reduction	17:29	See Sprocket Chart
Primary Spring	Wh-Pur 25 x 1.56 (Pur = Purple)	Wh-U Bu 80SD165M-A2.30 x 3.16
Primary Weight	ØV0	Standard
Secondary Spring Preload	50° (A-2)	60° (B-2)

ELEVATION	TEMP						JET SIZE	PART NUMBER
	-30°C -22°F	-20°C -4°F	-10°C 14°F	0°C 32°F	10°C 50°F	20°C 68°F		
Sea Level to 999ft	Ø132.5						Ø132.5	3G2-14231-79-00
2000 to 3999ft	Ø137.5						Ø137.5	3G2-14231-78-00
4000 to 5999ft	Ø132.5 (Std.)						Ø130	3G2-14231-26-00
6000 to 7999ft	Ø127.5						Ø125	3G2-14231-76-00
8000 to 9999ft	Ø132.5						Ø120	3G2-14231-75-00
10,000 ft Above	Ø138						Ø115	3G2-14231-24-00

ELEVATION	DRIVE SPROCKET			DRIVEN SPROCKET			SPROCKET	PART NUMBER
	Sea Level ~ 5000ft	6000 ~ 8000ft	7000 ~ Above	90 ~ 161	161 ~ 151	151		
Sea Level ~ 5000ft	90 ~ 161			90			161	Ø78-17682-60-00
6000 ~ 8000ft		161 ~ 151		90			151	Ø78-17682-50-00
7000 ~ Above			151		311		311	Ø78-17587-00-00

PUBLICATION	PART NUMBER	REMARKS
Owner's Manual	LT-28199-00-94	
Service Manual	LT-12616-00-72	
Assembly Manual	LT-12668-00-77	

Ø = Does Not Apply To This Model
 * = Available from Yamaha Parts Distributors Inc.
 NA = Information Not Available

Property of www.SmallEngineDiscount.com - Not for Resale

K1

TECHNICAL BULLETIN

SHOWROOM Date: 99-87 No. SB7-003

ALL MODELS BATTERY WARRANTIES

INTRODUCTION

Recently, many dealers have submitted warranty requests for battery failures which were caused by improper maintenance or for batteries which did not even need replacement.

DEALER ACTION SUMMARY

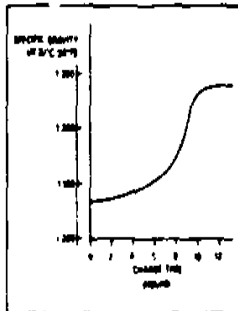
Make sure all dealership service and warranty personnel read this bulletin and understand which battery failures are not covered by warranty.

TYPES OF BATTERY FAILURES

The several types of battery conditions which are not considered warrantable are:

UNDERCHARGING

Very often it has been found that warranty requests have been made for batteries which were perfectly good. After testing selected samples, we have found out that many dealers have not allowed enough time to properly charge a flat battery, claiming that it would not accept a charge.

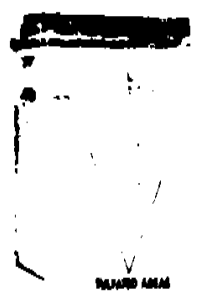


All Yamaha batteries must be charged according to instructions and at the specified amp rates in service manuals.

The graph illustrates the need for a battery to be charged for a sufficient length of time. You will notice that ample charging does not begin for several hours. Do not assume that a battery will not accept a charge until it has been steadily charged for a minimum of 12 hours at the proper rate.

SULFATED AND/OR OXIDIZED PLATES

Sulfated plates are caused either by a constant current drain without proper charging or allowing a battery to remain in a low state of charge over long periods of time. White or light grey-colored deposits on the plates which cover active material can be easily seen through translucent cases. This is a maintenance problem, and is not warrantable.



Types of Battery Faults (Cont'd.)

Oxidized plates result when the fluid level is allowed to remain low and exposes the tops of the plates to air. The look is similar to that of the sulfated plates. This condition is also caused by lack of proper maintenance and is not warrantable.

SHORTED PLATES

Plates can be shorted by three things: metallic or mineral deposits, sulfate deposits, and plate contact from overcharging. None of these situations is a reason for warranty.

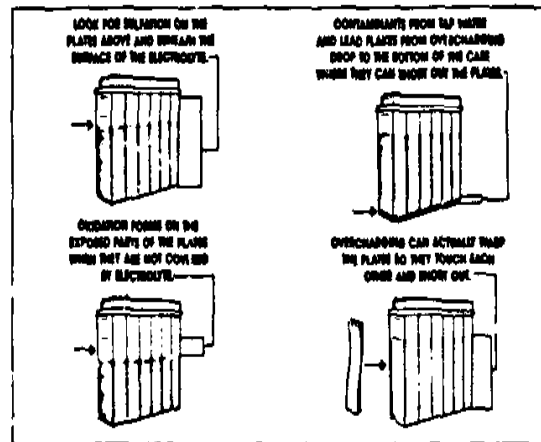
First, metallic deposits can form in the bottom of the case as a result of overcharging. Overcharging is done by charging at too high a rate of amperage. Mineral deposits can collect at the bottom, too. Any contaminants which enter the battery will drop to the bottom of the case. This is brought about when tap water (not the required DISTILLED water) is used to fill the battery. Both these deposit types build up and contact the plates.

Second, sulfate deposits can form to such an extent that deposits on negative plates can come in contact with those on positive plates. Non-conducting separators can have their pores penetrated by sulfates or plate material. This forms connections between the plates.

Third, so high a charge rate can be applied to the battery that the heat developed causes the plates to actually buckle and bend into each other.

PHYSICAL DAMAGE

Examples of physical damage are a cracked case, holes worn through the case by loose mounting clamps or nearby objects and loose terminals caused by improper removal or installation of battery cables. These items are all results of physical abuse. Unless damage of this type is detected at time of unit assembly, the battery is not warrantable.



WARRANTY
As always, warranty will pay for repair of defects. The following failures are not defects:
 • Undercharging (insufficient charge)
 • Sulfated or oxidized plates
 • Shorted Plates, caused by overcharging
 • Physical Damage (except crate damage)
 These failures are due to improper maintenance or abuse. They will not be covered by warranty.
 If a battery is replaced because of a warrantable defect, it must be properly tagged and held for 90 days from the date the warranty request is submitted. Yamaha will be recalling a representative sample of defective batteries for evaluation by the battery manufacturer.

PAGE 1 OF 2 PAGE 2 OF 2 ROUTE TO SERVICE PARTS WARRANTY SALES